



SIM7500 Series Hardware Design

LTE Module

SIMCom Wireless Solutions Limited

Building B, SIM Technology Building, No.633, Jinzhong Road
Changning District, Shanghai P.R.China

Tel: 86-21-31575100

support@simcom.com

www.simcom.com

Document Title:	SIM7500 Series Hardware Design
Version:	V1.09
Date:	2020-08-24
Status:	Released

GENERAL NOTES

SIMCOM OFFERS THIS INFORMATION AS A SERVICE TO ITS CUSTOMERS, TO SUPPORT APPLICATION AND ENGINEERING EFFORTS THAT USE THE PRODUCTS DESIGNED BY SIMCOM. THE INFORMATION PROVIDED IS BASED UPON REQUIREMENTS SPECIFICALLY PROVIDED TO SIMCOM BY THE CUSTOMERS. SIMCOM HAS NOT UNDERTAKEN ANY INDEPENDENT SEARCH FOR ADDITIONAL RELEVANT INFORMATION, INCLUDING ANY INFORMATION THAT MAY BE IN THE CUSTOMER'S POSSESSION. FURTHERMORE, SYSTEM VALIDATION OF THIS PRODUCT DESIGNED BY SIMCOM WITHIN A LARGER ELECTRONIC SYSTEM REMAINS THE RESPONSIBILITY OF THE CUSTOMER OR THE CUSTOMER'S SYSTEM INTEGRATOR. ALL SPECIFICATIONS SUPPLIED HEREIN ARE SUBJECT TO CHANGE.

COPYRIGHT

THIS DOCUMENT CONTAINS PROPRIETARY TECHNICAL INFORMATION WHICH IS THE PROPERTY OF SIMCOM WIRELESS SOLUTIONS LIMITED COPYING, TO OTHERS AND USING THIS DOCUMENT, ARE FORBIDDEN WITHOUT EXPRESS AUTHORITY BY SIMCOM. OFFENDERS ARE LIABLE TO THE PAYMENT OF INDEMNIFICATIONS. ALL RIGHTS RESERVED BY SIMCOM IN THE PROPRIETARY TECHNICAL INFORMATION , INCLUDING BUT NOT LIMITED TO REGISTRATION GRANTING OF A PATENT , A UTILITY MODEL OR DESIGN. ALL SPECIFICATION SUPPLIED HEREIN ARE SUBJECT TO CHANGE WITHOUT NOTICE AT ANY TIME.

SIMCom Wireless Solutions Limited

Building B, SIM Technology Building, No.633 Jinzhong Road, Changning District, Shanghai P.R.China
Tel: +86 21 31575100
Email: simcom@simcom.com

For more information, please visit:

<https://www.simcom.com/download/list-863-en.html>

For technical support, or to report documentation errors, please visit:

<https://www.simcom.com/ask/> or email to: support@simcom.com

Copyright © 2020 SIMCom Wireless Solutions Limited All Rights Reserved.

Version History

Date	Version	Description of change	Author
2016-07-06	1.00	Original	Yuan Shijie Tenglili
2016-11-01	1.01	Modify Document name Add SIM7500JC/SIM7500V/SIM7500SA/SIM7500E project Modify GPIO_49 to FlightMode Modify VBUS Minimum Voltage from 3.6V to 3.0V Modify figure 18, figure 23 and figure 39. Modify Table 8, table 9 figure 18 and figure 23.	Shengwu.sun Shijie.yuan LiLi.teng
2017-01-03	1.02	Modify figure 8, figure 11. Add SIM Card reference circuit with hot plug in	Shengwu.sun Shijie.yuan
2017-03-23	1.03	Modify Table 1.	Shengwu.sun Shijie.yuan
2017-05-25	1.04	Modify Table 1, Table 22, Table 24, Table 33	Fan.gao Shijie.yuan
2017-06-26	1.05	Modify Table 2	Shijie.yuan
2017-12-8	1.06	Add SIM7500V, delete SIM7500S. Modify Table 1, Table 22, Table 23, Table 25, Table 34	Fan.Gao Shijie.yuan
2018-7-12	1.07	Modify Table 1	Shijie.yuan
2020-3-17	1.08	Change the document name Update document template Update some parameters Others	Xutao.Jiang
2020-08-24	1.09	Correct the sleep current consumption on WCDMA And LTE.	Honggang.Ma

Contents

Version History	3
Contents	4
Table Index	6
Figure Index	8
1 Introduction	9
1.1 Product Outline.....	9
1.2 Hardware Interface Overview.....	10
1.3 Hardware Block Diagram.....	10
1.4 Functional Overview.....	11
2 Package Information	13
2.1 Pin Assignment Overview.....	13
2.2 Pin Description.....	15
2.3 Mechanical Information.....	17
2.4 Footprint Recommendation.....	18
3 Interface Application	19
3.1 Power Supply.....	19
3.1.1 Power supply Design Guide.....	19
3.1.2 Recommended Power Supply Circuit.....	20
3.1.3 Voltage Monitor.....	21
3.2 Power on/Power off/Reset Function.....	21
3.2.1 Power on.....	21
3.2.2 Power off.....	23
3.2.3 Reset Function.....	25
3.3 UART Interface.....	25
3.3.1 UART Design Guide.....	26
3.3.2 RI and DTR Behavior.....	27
3.4 USB Interface.....	28
3.5 SIM Interface.....	29
3.5.1 SIM Application Guide.....	30
3.5.2 SIM Card Design Guide.....	31
3.5.3 Recommended SIM Card Holder.....	31
3.6 PCM Interface.....	32
3.6.1 PCM Timing.....	32
3.6.2 PCM Application Guide.....	33
3.7 I2C Interface.....	34
3.8 Network Status.....	35
3.9 Operating Status Indication.....	36

3.10	Flight Mode Control.....	36
3.11	Pin Multiplex Function.....	37
3.12	Other interface.....	37
3.12.1	Sink Current Source.....	37
3.12.2	ADC.....	38
4	RF Specifications.....	39
4.1	WCDMA/ LTE RF Specifications.....	39
4.2	GSM/WCDMA/LTE Antenna Design Guide.....	41
4.3	GNSS.....	44
4.3.1	GNSS Technical specification.....	44
4.3.2	GNSS Application Guide.....	44
5	Electrical Specifications.....	46
5.1	Absolute Maximum Ratings.....	46
5.2	Operating Conditions.....	47
5.3	Operating Mode.....	48
5.3.1	Operating Mode Definition.....	48
5.3.2	Sleep mode.....	49
5.3.3	Minimum functionality mode and Flight Mode.....	49
5.4	Current Consumption.....	50
5.5	ESD Notes.....	52
6	SMT Production Guide.....	53
6.1	Top and Bottom View of Module.....	53
6.2	Label Information.....	55
6.3	Typical SMT Reflow Profile.....	55
6.4	Moisture Sensitivity Level (MSL).....	56
6.5	Stencil Foil Design Recommendation.....	57
7	Packaging.....	58
8	Appendix.....	61
8.1	Reference Design.....	61
8.2	Coding Schemes and Maximum Net Data Rates over Air Interface.....	63
8.3	Related Documents.....	65
8.4	Terms and Abbreviations.....	67
8.5	Safety Caution.....	69

Table Index

TABLE 1: MODULE FREQUENCY BANDS (* STANDS FOR SIM7500).....	9
TABLE 2: GENERAL FEATURES.....	11
TABLE 3: PIN DEFINITIONS.....	14
TABLE 4: IO PARAMETERS DEFINITION.....	15
TABLE 5: PIN DESCRIPTION.....	15
TABLE 6: VBAT PINS ELECTRONIC CHARACTERISTIC.....	19
TABLE 7: RECOMMENDED TVS LIST.....	20
TABLE 8: POWER ON TIMING AND ELECTRONIC CHARACTERISTIC.....	23
TABLE 9: POWER OFF TIMING AND ELECTRONIC CHARACTERISTIC.....	24
TABLE 10: RESET PIN ELECTRONIC CHARACTERISTIC.....	25
TABLE 11: SIM ELECTRONIC CHARACTERISTIC IN 1.8V MODE (SIM_VDD =1.8V).....	29
TABLE 12: SIM ELECTRONIC CHARACTERISTIC 3.0V MODE (SIM_VDD =2.95V).....	29
TABLE 13: AMPHENOL SIM SOCKET PIN DESCRIPTION.....	31
TABLE 14: PCM FORMAT.....	32
TABLE 15: PCM TIMING PARAMETERS.....	33
TABLE 16: NETLIGHT PIN STATUS.....	35
TABLE 17: PIN DEFINITION OF THE STATUS.....	36
TABLE 18: FLIGHTMODE PIN STATUS.....	36
TABLE 19: PIN MULTIPLEX FUNCTION LIST.....	37
TABLE 20: SINK CURRENT ELECTRONIC CHARACTERISTIC.....	37
TABLE 21: ADC ELECTRONIC CHARACTERISTICS.....	38
TABLE 22: CONDUCTED TRANSMISSION POWER.....	39
TABLE 23: OPERATING FREQUENCIES.....	40
TABLE 24: CONDUCTED RECEIVE SENSITIVITY.....	41
TABLE 25: REFERENCE SENSITIVITY (QPSK).....	41
TABLE 26: RECOMMENDED PASSIVE ANTENNA CHARACTERISTICS.....	41
TABLE 27: TRACE LOSS.....	42
TABLE 28: RECOMMENDED TVS.....	43
TABLE 29: LNA REQUIREMENTS.....	45
TABLE 30: ABSOLUTE MAXIMUM RATINGS.....	46
TABLE 31: RECOMMENDED OPERATING RATINGS.....	47
TABLE 32: 1.8V DIGITAL I/O CHARACTERISTICS.....	47
TABLE 33: OPERATING TEMPERATURE.....	47
TABLE 34: OPERATING MODE DEFINITIONS.....	48
TABLE 35: CURRENT CONSUMPTION ON VBAT PINS (VBAT=3.8V).....	50
TABLE 36: THE ESD PERFORMANCE MEASUREMENT TABLE (TEMPERATURE: 25°C, HUMIDITY: 45%).....	52
TABLE 37: THE DESCRIPTION OF LABEL INFORMATION.....	55
TABLE 38: MOISTURE SENSITIVITY LEVEL AND FLOOR LIFE.....	56
TABLE 39: TRAY SIZE.....	58
TABLE 40: SMALL CARTON SIZE.....	59
TABLE 41: BIG CARTON SIZE.....	60

TABLE 42: CODING SCHEMES AND MAXIMUM NET DATA RATES OVER AIR INTERFACE.....	63
TABLE 43: RELATED DOCUMENTS.....	65
TABLE 44: TERMS AND ABBREVIATIONS.....	67
TABLE 45: SAFETY CAUTION.....	69

SIMCom
Confidential

Figure Index

FIGURE 1: SIM7500 SERIES BLOCK DIAGRAM.....	11
FIGURE 2: PIN ASSIGNMENT OVERVIEW.....	13
FIGURE 3: DIMENSIONS (UNIT: MM).....	17
FIGURE 4: FOOTPRINT RECOMMENDATION (UNIT: MM).....	18
FIGURE 5: POWER SUPPLY APPLICATION CIRCUIT.....	20
FIGURE 6: LINEAR REGULATOR REFERENCE CIRCUIT.....	20
FIGURE 7: SWITCHING MODE POWER SUPPLY REFERENCE CIRCUIT.....	21
FIGURE 8: REFERENCE POWER ON/OFF CIRCUIT.....	22
FIGURE 9: POWER ON TIMING SEQUENCE.....	22
FIGURE 10: POWER OFF TIMING SEQUENCE.....	24
FIGURE 11: REFERENCE RESET CIRCUIT.....	25
FIGURE 12: UART FULL MODEM.....	26
FIGURE 13: UART NULL MODEM.....	26
FIGURE 14: REFERENCE CIRCUIT OF LEVEL SHIFT.....	27
FIGURE 15: RI BEHAVIOUR (SMS AND URC REPORT).....	27
FIGURE 16: RI BEHAVIOUR (VOICE CALL).....	28
FIGURE 17: USB REFERENCE CIRCUIT.....	28
FIGURE 18: REFERENCE CIRCUIT OF THE 8-PIN SIM CARD HOLDER.....	30
FIGURE 19: SIM INTERFACE REFERENCE CIRCUIT.....	30
FIGURE 20: AMPHENOL SIM CARD SOCKET.....	31
FIGURE 21: PCM_SYNC TIMING.....	32
FIGURE 22: EXT CODEC TO MODULE TIMING.....	33
FIGURE 23: MODULE TO EXT CODEC TIMING.....	33
FIGURE 24: AUDIO CODEC REFERENCE CIRCUIT.....	34
FIGURE 25: I2C REFERENCE CIRCUIT.....	34
FIGURE 26: NETLIGHT REFERENCE CIRCUIT.....	35
FIGURE 27: FLIGHT MODE SWITCH REFERENCE CIRCUIT.....	36
FIGURE 28: ISINK REFERENCE CIRCUIT.....	38
FIGURE 29: ANTENNA MATCHING CIRCUIT (MAIN_ANT).....	42
FIGURE 30: ANTENNA MATCHING CIRCUIT (DIV_ANT).....	43
FIGURE 31: ACTIVE ANTENNA CIRCUIT.....	45
FIGURE 32: PASSIVE ANTENNA CIRCUIT (DEFAULT).....	45
FIGURE 33: TOP AND BOTTOM VIEW OF MODULE.....	54
FIGURE 34: LABEL INFORMATION.....	55
FIGURE 35: THE RAMP-SOAK-SPIKE REFLOW PROFILE OF MODULE.....	56
FIGURE 36: PACKAGING INTRODUCE.....	58
FIGURE 37: TRAY DRAWING.....	58
FIGURE 38: SMALL CARTON DRAWING INTRODUCE.....	59
FIGURE 39: BIG CARTON DRAWING INTRODUCE.....	60
FIGURE 40: REFERENCE DESIGN.....	61

1 Introduction

This document describes the electronic specifications, RF specifications, interfaces, mechanical characteristics and testing results of the SIMCom SIM7500 series. With the help of this document and other software application notes/user guides, users can understand and use modules to design and develop applications quickly.

1.1 Product Outline

The SIM7500 series support many air-interface standards, refer to the following table.

Table 1: Module frequency bands (* stands for SIM7500)

Standard	Frequency	*A	*E	*JE	*JC	*V	*SA	*AD
GSM	850MHz							
	900MHz		√					
	1800M Hz		√					
	1900M Hz							
WCDMA	B1		√				√	
	B2	√						√
	B5	√					√	√
	B8		√					
LTE	FDD B1		√	√	√		√	
	FDD B2	√						√
	FDD B3		√	√			√	
	FDD B4	√				√		√
	FDD B5						√	
	FDD B7		√				√	
	FDD B8		√	√			√	
	FDD B12	√						√
	FDD B13						√	
	FDD B18				√		√	
	FDD B19				√			
	FDD B20		√					
	FDD B26				√			
	FDD B28							

Category	CAT1	CAT1	CAT1	CAT1	CAT1	CAT1	CAT1
Remark	-H for CAT4	-H for CAT4					-H for CAT4
GNSS	√	√	√	√	√	√	√

With a small physical dimension of 24*27*2.75 mm and with the functions integrated, the Module can meet almost any space requirement in users' applications, such as smart phones, PDA's, industrial handhelds, machine-to-machine, vehicle applications, etc.

NOTE

CAT1 or CAT4 correspond to different PN numbers.

1.2 Hardware Interface Overview

The interfaces are described in detail in the next chapters include:

- Power Supply
- USB Interface
- UART Interface
- SIM Interface
- GPIO
- ADC
- Power Output
- Current Sink Source
- PCM Interface
- I2C Interface

1.3 Hardware Block Diagram

The block diagram of the Module is shown in the figure below.

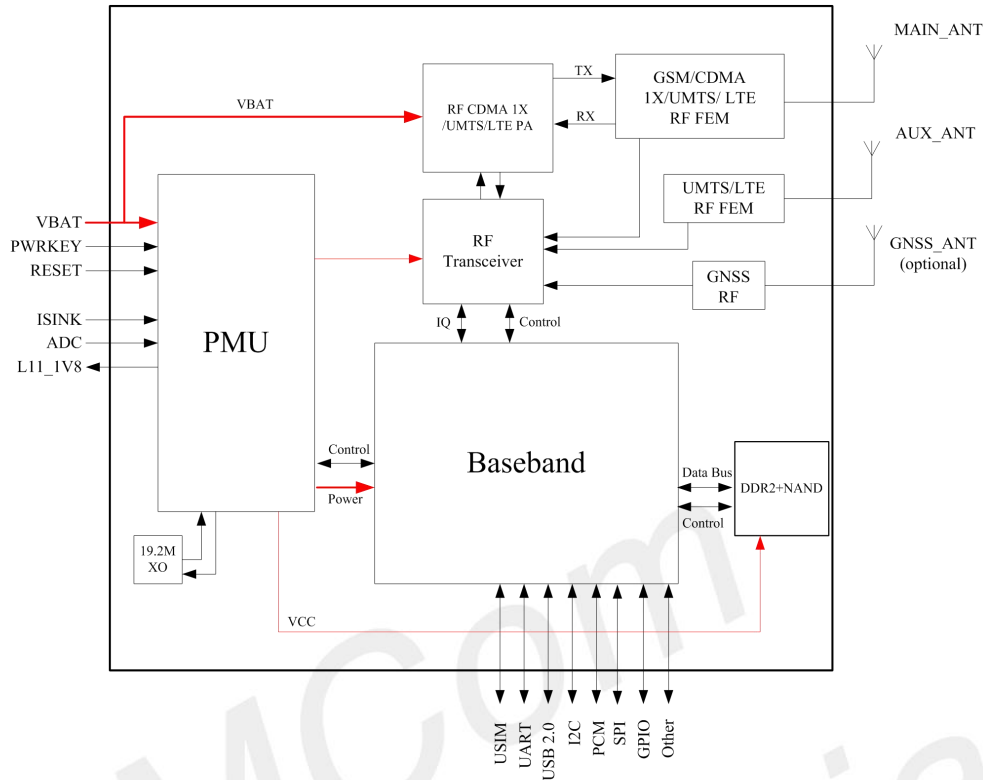


Figure 1: SIM7500 series Block Diagram

1.4 Functional Overview

Table 2: General features

Feature	Implementation
Power supply	Single supply voltage 3.4~4.2V
Power saving	Current in sleep mode : <5mA
Radio frequency bands	Please refer to the table 1
Transmitting power	GSM/GPRS: Class 4 (33dBm): EGSM900 Class 1 (30dBm): DCS1800 EDGE: Class E2 (27dBm): EGSM900 Class E1 (26dBm): DCS1800 WCDMA: Class 3 (24dBm) LTE: Class 3 (23dBm)
Data Transmission Throughput	GPRS multi-slot class 12 EDGE multi-slot class 12UMTS R99 speed: 384 kbps DL/UL HSPA+: 5.76 Mbps(UL), 42 Mbps(DL) LTE CAT 4 : Support MIMO in DL Direction

	FDD-LTE CAT4: 150 Mbps (DL), 50 Mbps (UL) TDD-LTE CAT4: 130 Mbps (DL), 35 Mbps (UL) FDD-LTE CAT 1: 10 Mbps (DL), 5 Mbps (UL) TDD-LTE CAT 1: 8.96 Mbps (DL), 3.1 Mbps (UL)
Antenna	GSM/WCDMA /LTE main antenna WCDMA /LTE auxiliary antenna GNSS antenna
GNSS	GNSS engine (GPS, GLONASS, BD and QZSS GALILEO) Protocol: NMEA
SMS	MT, MO, CB, Text and PDU mode SMS storage: SIM card or ME(default) Transmission of SMS alternatively over CS or PS.
SIM interface	Support identity card: 1.8V/ 3V
SIM application toolkit	Support SAT class 3, GSM 11.14 Release 98 Support USAT
Phonebook management	Support phonebook types: DC, MC, RC, SM, ME, FD, ON, LD, EN
Audio feature	Support PCM interface Only support PCM master mode and short frame sync, 16-bit linear data formats
UART interface	A full modem serial port by default Baud rate: 300bps to 4Mbps(default:115200bps) Can be used as the AT commands or data stream channel. Support RTS/CTS hardware handshake Multiplex ability according to GSM 07.10 Multiplexer Protocol.
USB	USB 2.0 specification-compliant as a peripheral
Firmware upgrade	Firmware upgrade over USB interface USB 2.0 specification-compliant as a peripheral
Physical characteristics	Weight:4.0 g Size:24*27*2.75mm
Temperature range	Normal operation temperature: -30°C to +80°C Extended operation temperature: -40°C to +85°C* Storage temperature -45°C to +90°C

NOTE

Module is able to make and receive voice calls, data calls, SMS and make WCDMA/HSPA+/LTE traffic in -40 °C ~ +85 °C . The performance will be reduced slightly from the 3GPP specifications if the temperature is outside the normal operating temperature range and still within the extreme operating temperature range.

2 Package Information

2.1 Pin Assignment Overview

All functions of the SIM7500 series will be provided through 56 pads that will be connected to the customers' platform. The following Figure is a high-level view of the pin assignment of the SIM7500 series.

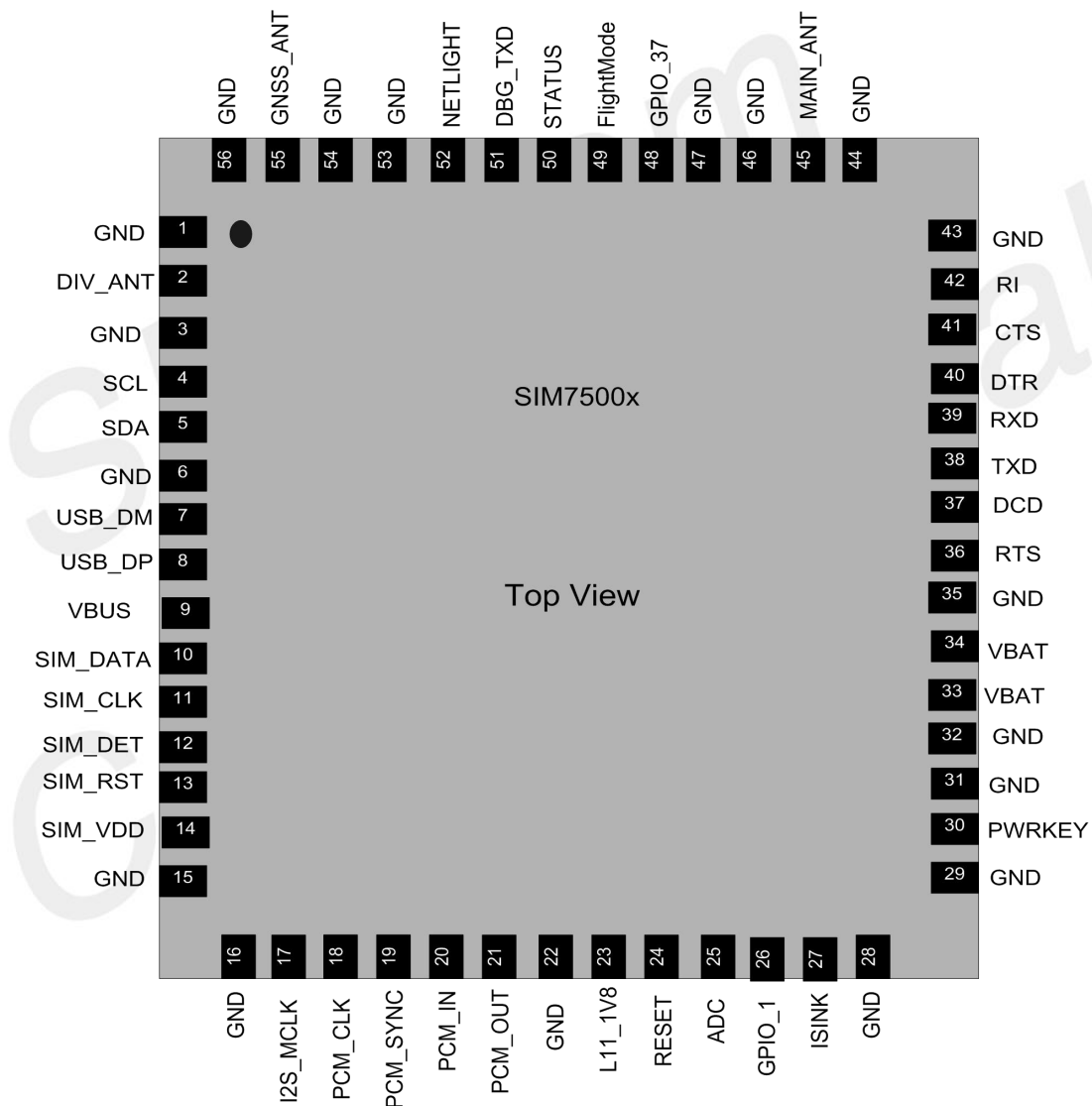


Figure 2: Pin assignment overview

Table 3: Pin Definitions

Pin No.	Pin name	Pin No.	Pin name
1	GND	2	DIV_ANT
3	GND	4	SCL
5	SDA	6	GND
7	USB_DM	8	USB_DP
9	VBUS	10	SIM_DATA
11	SIM_CLK	12	SIM_DET
13	SIM_RST	14	SIM_VDD
15	GND	16	GND
17	I2S_MCLK	18	PCM_CLK
19	PCM_SYNC	20	PCM_IN
21	PCM_OUT	22	GND
23	L11_1V8	24	RESET
25	ADC	26	GPIO_1
27	ISINK	28	GND
29	GND	30	PWRKEY
31	GND	32	GND
33	VBAT	34	VBAT
35	GND	36	RTS
37	DCD	38	TXD
39	RXD	40	DTR
41	CTS	42	RI
43	GND	44	GND
45	MAIN_ANT	46	GND
47	GND	48*	GPIO_37
49	FlightMode	50	STATUS
51	DBG_TXD	52	NETLIGHT
53	GND	54	GND
55	GNSS_ANT	56	GND

NOTE

Before the normal power up, pin48 cannot be pulled up.

2.2 Pin Description

Table 4: IO parameters definition

Pin type	Description
PI	Power input
PO	Power output
AI	Analog input
AIO	Analog input/output
I/O	Bidirectional input /output
DI	Digital input
DO	Digital output
DOH	Digital output with high level
DOL	Digital output with low level
PU	Pull up
PD	Pull down

Table 5: Pin Description

Pin name	Pin No.	Default status	Description	Comment
Power supply				
VBAT	33,34	PI	Power supply, voltage range: 3.4~4.2V.	
L11_1V8	23	PO	1.8V output with Max. 50ma current output for external circuit, such as level shift circuit.	If unused, keep it open.
GND	1, 3, 6, 15,16,22,28, 29,31,32,35, 43,44,46,47, 53,54,56		Ground	
System Control				
PWRKEY	30	DI,PU	System power on/off control input, active low.	Default 0.8V
RESET	24	DI, PU	System reset control input, active low.	RESET has been pulled up to 1.8V via a resistor internally.
SIM interface				
SIM_DATA	10	I/O,PU	SIM Card data I/O, which has been pulled up via a 10KR resistor to SIM_VDD internally.	All lines of SIM interface should be

SIM_RST	13	DO	SIM Reset	protected against ESD.
SIM_CLK	11	DO	SIM clock	
SIM_VDD	14	PO	Power output for SIM card, its output Voltage depends on SIM card type automatically. Its output current is up to 50ma.	
USB				
VBUS	9	DI,PD	Valid USB detection input with 3.0~5.25V detection voltage	
USB_DM	7	I/O	Negative line of the differential, bi-directional USB signal.	
USB_DP	8	I/O	Positive line of the differential, bi-directional USB signal.	
UART interface				
RTS	36	DOL	Request to send	
CTS	41	DI,PU	Clear to Send	
RXD	39	DI,PU	Receive Data	
RI	42	DOH	Ring Indicator	If unused, keep them open.
DCD	37	DOH	Carrier detects	
TXD	38	DOH	Transmit Data	
DTR	40	DI,PU	DTE get ready	
I2C interface				
SCL	4	DO	I2C clock output	If unused, keep them open.
SDA	5	I/O	I2C data input/output	
PCM interface				
PCM_OUT	21	DO	PCM data output.	
PCM_IN	20	DI	PCM data input.	If unused, please keep them open.
PCM_SYNC	19	DO	PCM data frame sync signal.	
PCM_CLK	18	DO	PCM data bit clock.	
I2S_MCLK	17	DO	Audio Master clock	
GPIO				
NETLIGHT	52	DO	LED control output as network status indication.	
STATUS	50	DO	Operating status output. High level: Power on and firmware ready Low level: Power off	If unused, please keep them open.
GPIO_1	26	IO	GPIO	
FlightMode	49	DI,PU	Flight Mode control input. High level(or open): Normal Mode Low level: Flight Mode Default: GPIO	FlightMode Can't be used when Module is in sleep mode.
SIM_DET	12	IO	Optional: SIM card detecting input. H: SIM is removed L: SIM is inserted	
GPIO_37	48	IO	Boot configuration input. Module will be forced into USB down load mode by connect 23	

pin to VDD_1V8 during power up.

RF interface			
MAIN_ANT	45	AIO	MAIN antenna soldering pad
DIV_ANT	2	AI	Auxiliary antenna soldering pad
GNSS_ANT	55	AI	GNSS antenna soldering pad
Other interface			
ISINK	27	AI	Ground-referenced current sink.
DGB_TXD	51	DO	Use for debug
ADC	25	AI	Analog-digital converter input

If unused, please keep them open.

2.3 Mechanical Information

The following figure shows the package outline drawing of Module.

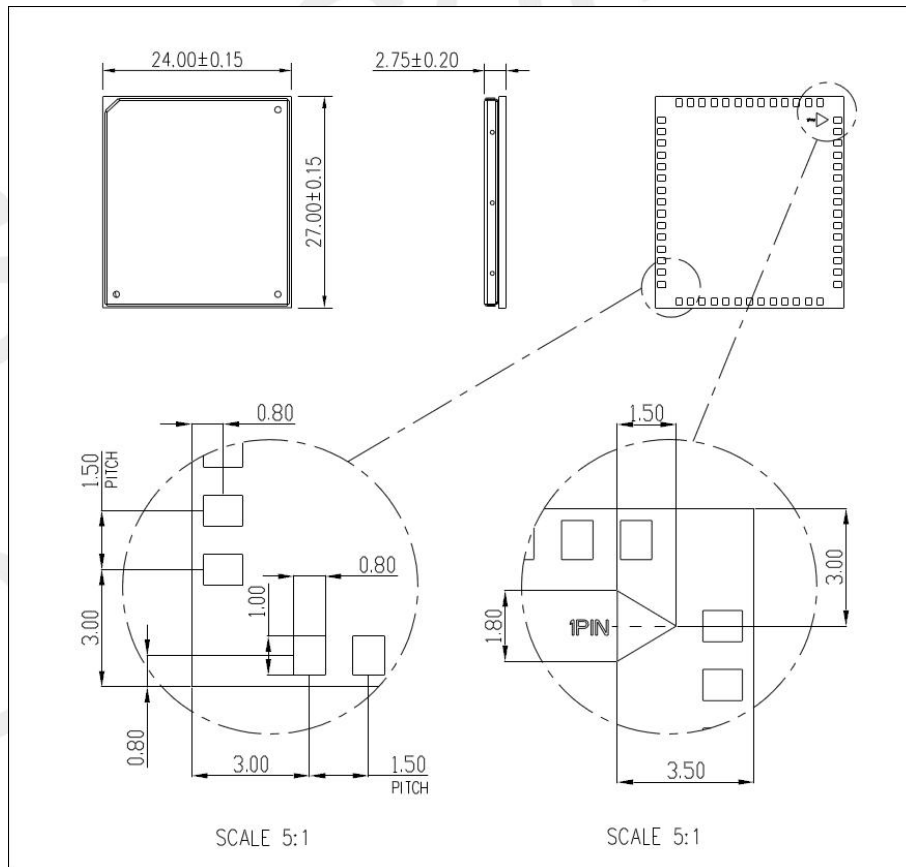


Figure 3: Dimensions (Unit: mm)

2.4 Footprint Recommendation

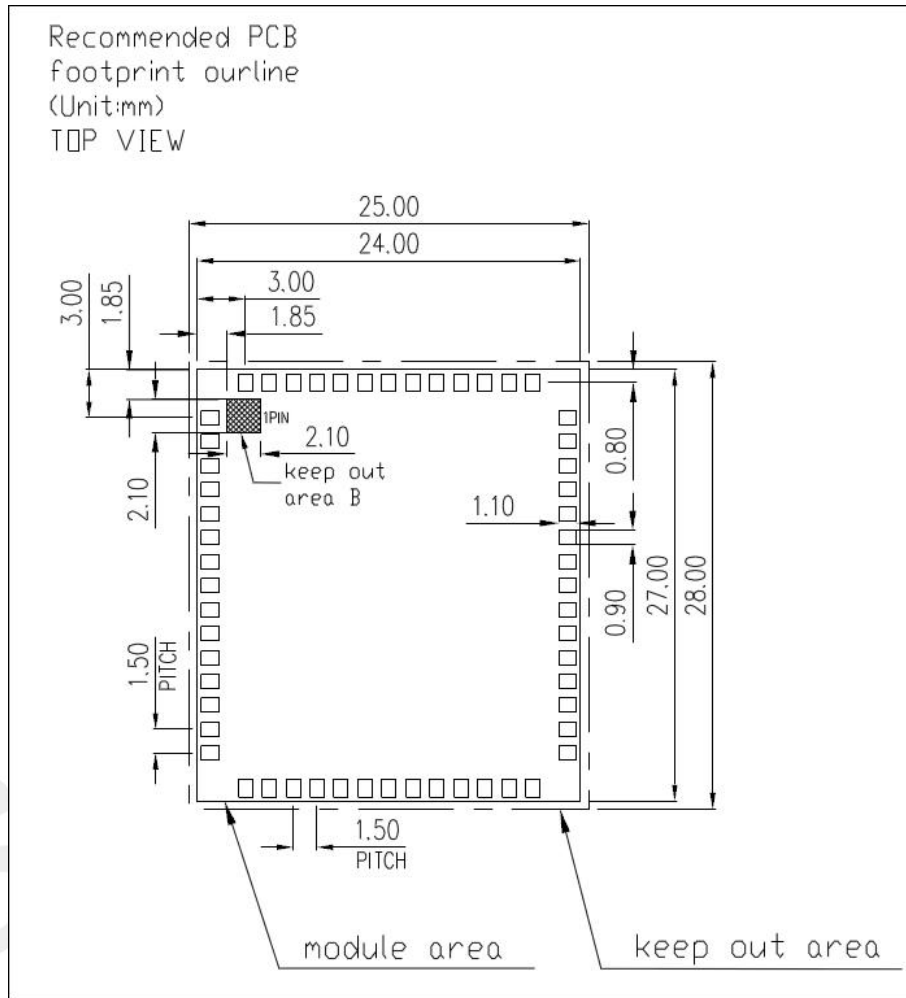


Figure 4: Footprint recommendation (Unit: mm)

3 Interface Application

3.1 Power Supply

On VBAT pads, a ripple current up to 2A typically, may cause voltage drop. Therefore, the power supply for these pads must be able to provide sufficient current up to more than 2A in order to avoid the voltage drop of more than 300mV.

Table 6: VBAT Pins electronic characteristic

Symbol	Parameter	Min	Type	Max	Unit
VBAT	Module power voltage	3.4	3.8	4.2	V
I _{VBAT(peak)}	Module power peak current in normal mode.	1.0	-	2	A
I _{VBAT(average)}	Module power average current in normal mode	Please refer to the table 34			
I _{VBAT(sleep)}	Power supply current in sleep mode				
I _{VBAT(power-off)}	Module power current in power off mode.	-	-	20	uA

3.1.1 Power supply Design Guide

Make sure that the voltage on the VBAT pins will never drop below 3.4V.

NOTE

If the power supply for BAT pins can support up to 2A, using a total of more than 220uF capacitors is recommended, or else users must use a total of 1000uF capacitors, in order to avoid the voltage drop of more than 300mV.

Some multi-layer ceramic chip (MLCC) capacitors (0.1/1uF) with low ESR in high frequency band can be used for EMC.

These capacitors should be put as close as possible to VBAT pads. Also, user should keep VBAT trace on the circuit board wider than 2 mm to minimize PCB trace impedance. The following figure shows the recommended circuit.

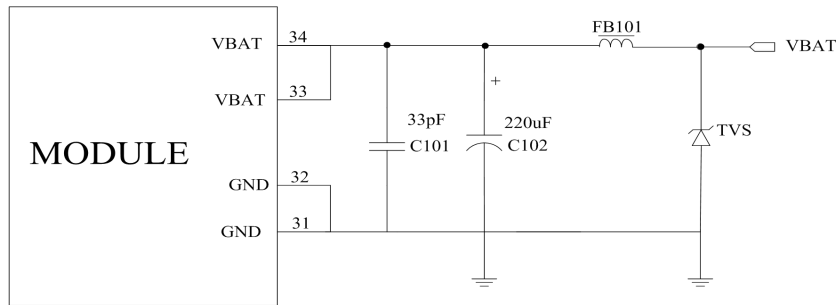


Figure 5: Power supply application circuit

In addition, in order to guard for ESD or surge protection, it is suggested to use a TVS to protect the module.

Table 7: Recommended TVS list

No	Manufacturer	Part Number	Reverse Stand-Off Voltage	Package
1	Js-ele	ESDBW5V0A1	5V	DFN1006-2L
2	Prisem	PESDHC2FD4V5BH	4.5V	DFN1006-2L
3	Way-on	WS05DPF-B	5V	DFN1006-2L
4	Will semi	ESD5611N	5V	DFN1006-2L
5	Will semi	ESD56151W05	5V	SOD-323
6	Way-on	WS4.5DPV	4.5V	DFN1610-2L

3.1.2 Recommended Power Supply Circuit

It is recommended that a switching mode power supply or linear regulator power supply is used. It is important to make sure that all the components used in the power supply circuit can resist a peak current up to 2A.

The following figure shows the linear regulator reference circuit with 5V input and 3.8V output.

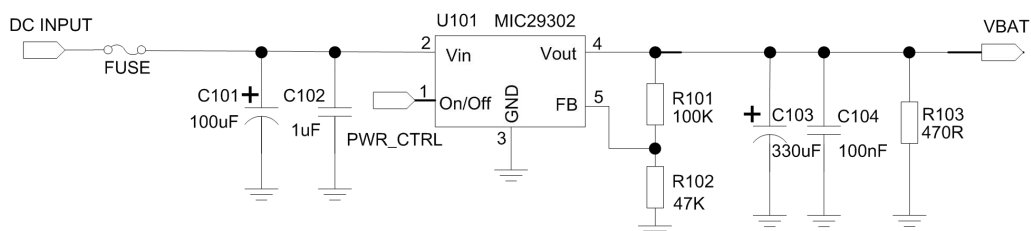


Figure 6: Linear regulator reference circuit

If there is a big voltage difference between input and output for VBAT power supply, or the efficiency is extremely important, then a switching mode power supply will be preferable. The following figure shows the switching mode power supply reference circuit.

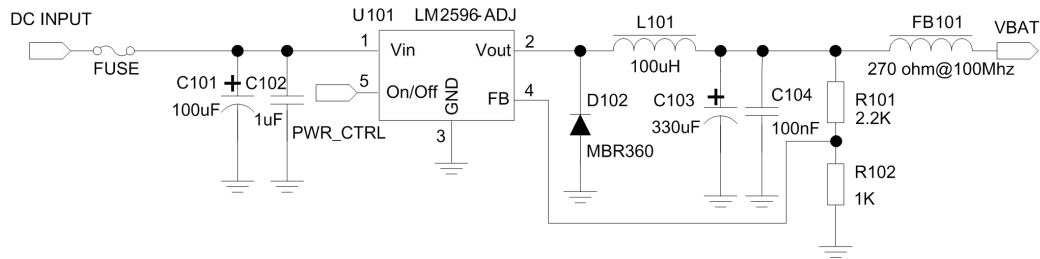


Figure 7: Switching mode power supply reference circuit

NOTE

The Switching Mode power supply solution for VBAT must be chosen carefully against Electro Magnetic Interference and ripple current from depraving RF performance.

3.1.3 Voltage Monitor

To monitor the VBAT voltage, the AT command “AT+CBC” can be used.

For monitoring the VBAT voltage outside or within a special range, the AT command “AT+CVALARM” can be used to enable the under-voltage warning function.

If users need to power off Module, when the VBAT voltage is out of a range, the AT command “AT+CPMVT” can be used to enable under-voltage power-off function.

NOTE

Under-voltage warning function and under-voltage power-off function are disabled by default. For more information about these AT commands, please refer to Document [1].

3.2 Power on/Power off/Reset Function

3.2.1 Power on

Module can be powered on by pulling the PWRKEY pin down to ground.

The PWRKEY pin has been pulled up with a diode to 1.8V internally, so it does not need to be pulled up externally. It is strongly recommended to put a 100nF capacitor, an ESD protection diode, close to the PWRKEY pin as it would strongly enhance the ESD performance of PWRKEY pin. Please refer to the following figure for the recommended reference circuit.

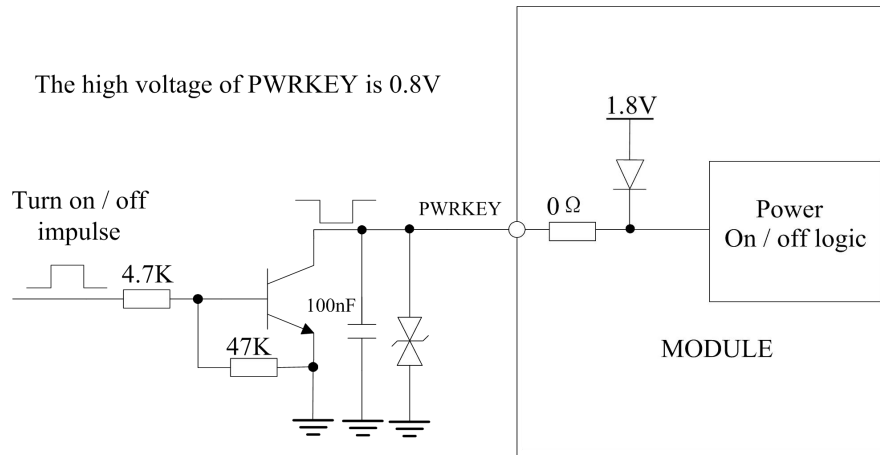


Figure 8: Reference Power on/off Circuit

NOTE

Module could be automatically power on by connecting PWRKEY pin to ground via 0R resistor directly.

The power-on scenarios are illustrated in the following figure.

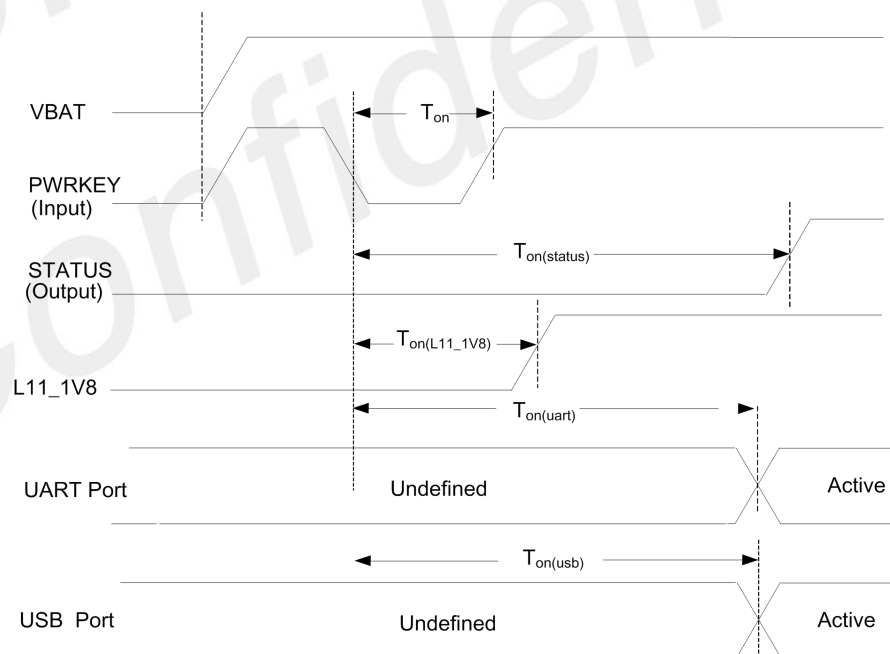


Figure 9: Power on timing sequence

Table 8: Power on timing and Electronic Characteristic

Symbol	Parameter	Min	Type	Max	Unit
T_{on}	The time of active low level impulse of PWRKEY pin to power on module	100	500	-	ms
$T_{on(status)}$	The time from power-on issue to STATUS pin output high level(indicating power up ready)	12	13	-	s
$T_{on(L11_1V8)}$	The time from power-on issue to L11_1V8 ready	100	-	-	ms
$T_{on(uart)}$	The time from power-on issue to UART port ready	11	12		s
$T_{on(usb)}$	The time from power-on issue to USB port ready	11	12		s
V_{IH}	Input high level voltage on PWRKEY pin	0.6	0.8	1.8	V
V_{IL}	Input low level voltage on PWRKEY pin	-0.3	0	0.5	V

3.2.2 Power off

The following methods can be used to power off Module.

- Method 1: Power off Module by pulling the PWRKEY pin down to ground.
- Method 2: Power off Module by AT command “AT+CPOF”.
- Method 3: Over-voltage or under-voltage automatic power off. The voltage range can be set by AT command “AT+CPMVT”.
- Method 4: Over-temperature or under-temperature automatic power off.

NOTE

If the temperature is outside the range of $-30\sim+80^{\circ}\text{C}$, some warning will be reported via AT port. If the temperature is outside the range of $-40\sim+85^{\circ}\text{C}$, Module will be powered off automatically. For details about “AT+CPOF” and “AT+CPMVT”, please refer to Document [1].

These procedures will make modules disconnect from the network and allow the software to enter a safe state and save data before modules are powered off completely.

The power off scenario by pulling down the PWRKEY pin is illustrated in the following figure.

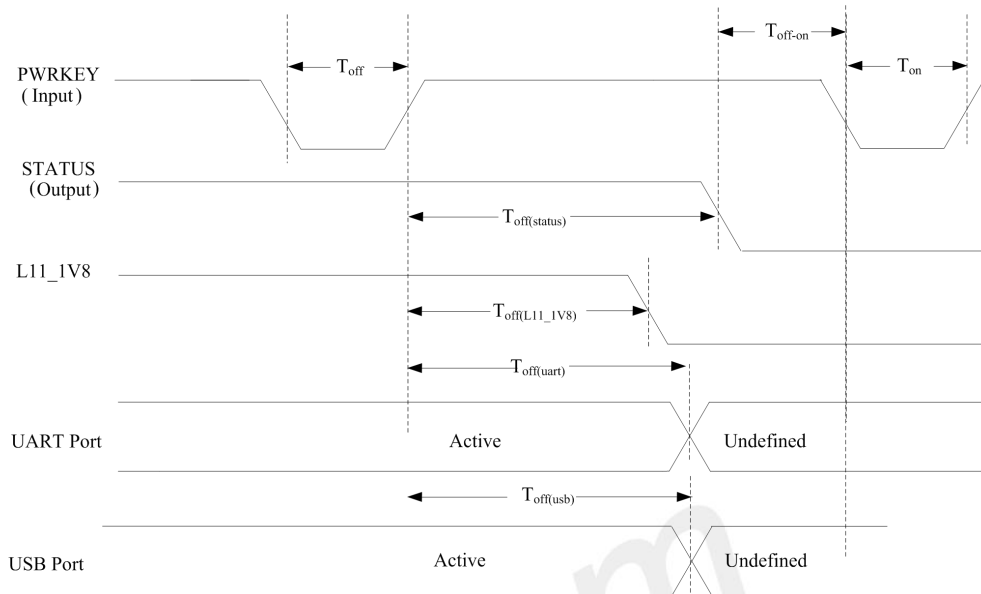


Figure 10: Power off timing sequence

Table 9: Power off timing and Electronic Characteristic

Symbol	Parameter	Time value			Unit
		Min	Type	Max	
T_{off}	The active low level time pulse on PWRKEY pin to power off module	2.5	--	5.0	s
$T_{off(status)}$	The time from power-off issue to STATUS pin output low level(indicating power off)*	25	26	-	s
$T_{off(L11_1V8)}$	The time from power-off issue to L11_1V8	20	-	-	s
$T_{off(uart)}$	The time from power-off issue to UART port off	14	15	-	s
$T_{off(usb)}$	The time from power-off issue to USB port off	27	28	-	s
T_{off-on}	The buffer time from power-off issue to power-on issue	0	-	-	s

NOTE

The STATUS pin can be used to detect whether module is powered on or not. When module has been powered on and firmware goes ready, STATUS will be high level, or else STATUS will still low level. It is suggested that the host can cut off the power off the module, when the module could not switch off by PWRKEY of RESET interface, customer could cut off the power to restart the module. If the PWERKY and RESET key works normally, it is not suggested to switch off module by remove the power supply for that might damage the flash. The power off time may vary for the local net status.

3.2.3 Reset Function

Module can be reset by pulling the RESET pin down to ground.

NOTE

This function is only used as an emergency reset when AT command “AT+CPOF” and the PWRKEY pin all have lost efficacy.

The RESET pin has been pulled up to 1.8V internally, so it does not need to be pulled up externally. It is strongly recommended to put a 100nF capacitor and an ESD protection diode close to the RESET pin. Please refer to the following figure for the recommended reference circuit.

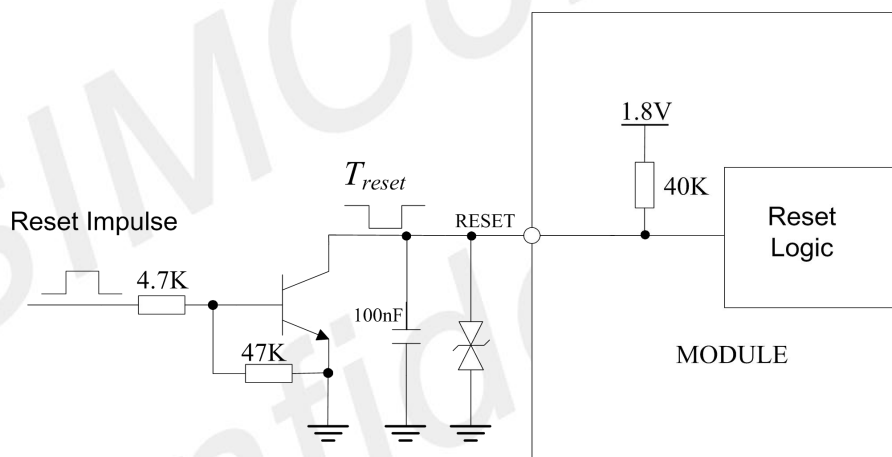


Figure 11: Reference reset circuit

Table 10: RESET pin electronic characteristic

Symbol	Parameter	Min	Type	Max	Unit
T_{reset}	The active low level time impulse on RESET pin to reset module	100			ms
V_{IH}	Input high level voltage	1.17	1.8	2.1	V
V_{IL}	Input low level voltage	-0.3	0	0.8	V

3.3 UART Interface

Module provides a 7-wire UART (universal asynchronous serial transmission) interface as DCE (Data Communication Equipment). AT commands and data transmission can be performed through UART interface.

3.3.1 UART Design Guide

The following figures show the reference design.

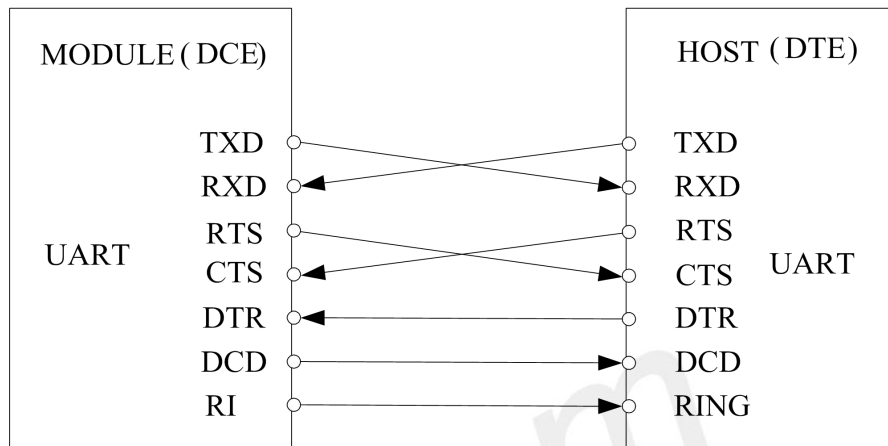


Figure 12: UART Full modem

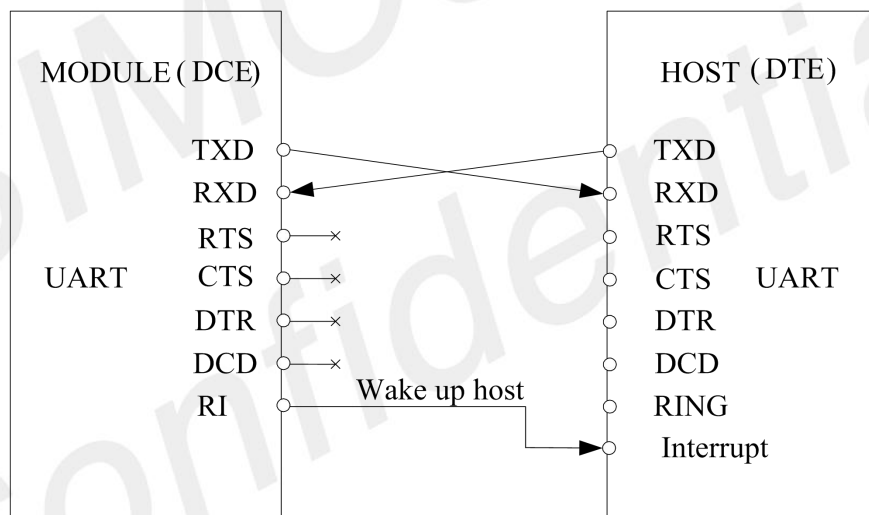


Figure 13: UART Null modem

The Module UART is 1.8V voltage interface. If user's UART application circuit is a 3.3V voltage interface, the level shifter circuits should be used for voltage matching. The TXB0108RGYR provided by Texas Instruments is recommended. The following figure shows the voltage matching reference design.

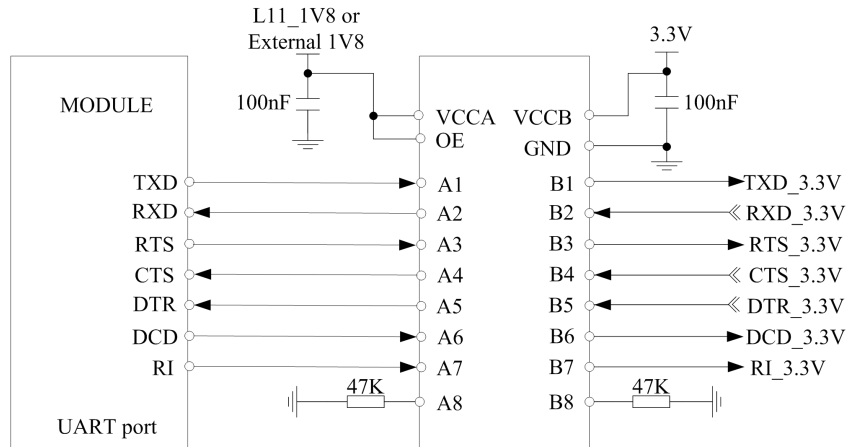


Figure 14: Reference circuit of level shift

To comply with RS-232-C protocol, the RS-232-C level shifter chip should be used to connect Module to the RS-232-C interface, for example SP3238ECA, etc.

NOTE

Module supports the following baud rates: 300, 600, 1200, 2400, 4800, 9600, 19200, 38400, 57600, 115200, 230400, 460800, 921600, 3200000, 3686400, 4000000bps. The default baud rate is 115200bps.

3.3.2 RI and DTR Behavior

The RI pin can be used to interrupt output signal to inform the host controller such as application CPU.

Normally RI will stay at high level until certain conditions such as receiving SMS, or a URC report come in. It will then change to low level. It will stay low until the host controller clears the interrupted event with "AT+CRIRS" AT command.

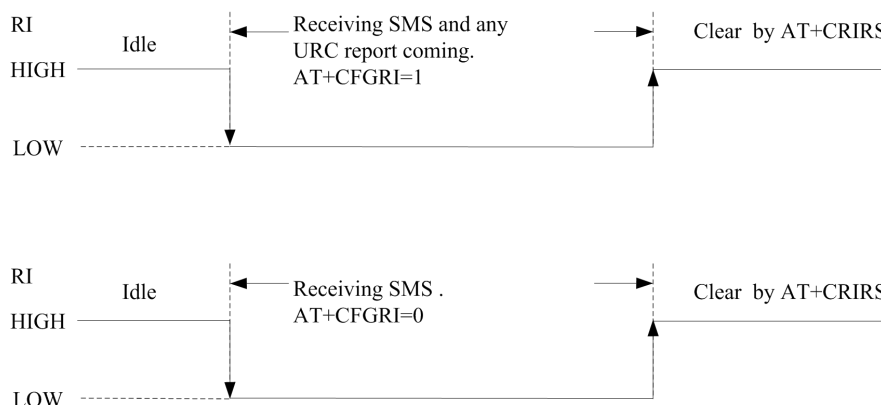


Figure 15: RI behaviour (SMS and URC report)

Normally RI will be kept high until a voice call, then it will output periodic rectangular wave with 5900ms low level and 100ms high level. It will output this kind of periodic rectangular wave until the call is answered or hung up.

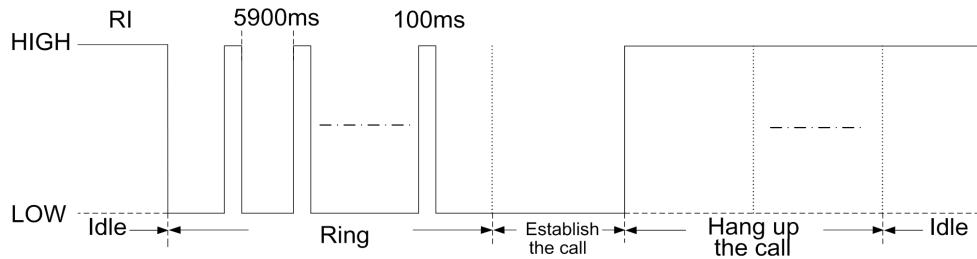


Figure 16: RI behaviour (voice call)

NOTE

For more details of AT commands about UART, please refer to document [1] and [22].

DTR pin can be used to wake Module from sleep. When Module enters sleep mode, pulling down DTR can wake Module.

3.4 USB Interface

The Module contains a USB interface compliant with the USB2.0 specification as a peripheral, but the USB charging function is not supported.

Module can be used as a USB device. Module supports the USB suspend and resume mechanism which can reduce power consumption. If there is no data transmission on the USB bus, Module will enter suspend mode automatically and will be resumed by some events such as voice call, receiving SMS, etc.

The USB interface is a frequency used debug port; it is suggested to reserved test point.

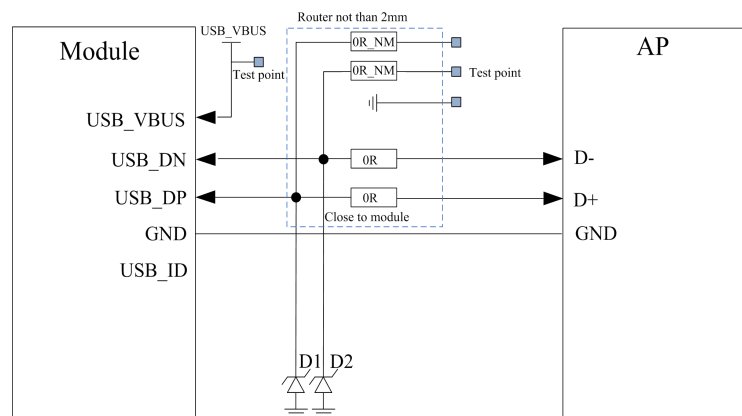


Figure 17: USB reference circuit

Because of the high bit rate on USB bus, more attention should be paid to the influence of the junction capacitance of the ESD component on USB data lines. Typically, the capacitance should be less than 1pF.

It is recommended to use an ESD protection component such as ESD9L5.0ST5G provided by On Semiconductor (www.onsemi.com).

NOTE

1. The USB_DM and USB_DP nets must be traced by 90Ohm+/-10% differential impedance.
2. Must reserve USB interfaces or test points to for software debug.
3. Must reserve pin51(DBG_TXD) and PIN23(L11_1V8) interface or test point to for software debug.

3.5 SIM Interface

Module supports both 1.8V and 3.0V SIM Cards.

Table 11: SIM Electronic characteristic in 1.8V mode (SIM_VDD =1.8V)

Symbol	Parameter	Min	Type	Max	Unit
SIM_VDD	LDO power output voltage	1.75	1.8	1.95	V
V _{IH}	High-level input voltage	0.65*SIM_VDD	-	SIM_VDD +0.3	V
V _{IL}	Low-level input voltage	-0.3	0	0.35*SIM_VDD	V
V _{OH}	High-level output voltage	SIM_VDD -0.45	-	SIM_VDD	V
V _{OL}	Low-level output voltage	0	0	0.45	V

Table 12: SIM Electronic characteristic 3.0V mode (SIM_VDD =2.95V)

Symbol	Parameter	Min	Type	Max	Unit
SIM_VDD	LDO power output voltage	2.75	2.95	3.05	V
V _{IH}	High-level input voltage	0.65*SIM_VDD	-	SIM_VDD +0.3	V
V _{IL}	Low-level input voltage	-0.3	0	0.25*SIM_VDD	V
V _{OH}	High-level output voltage	SIM_VDD -0.45	-	SIM_VDD	V
V _{OL}	Low-level output voltage	0	0	0.45	V

3.5.1 SIM Application Guide

It is recommended to use an ESD protection component such as ESDA6V1W5 produced by ST (www.st.com) or SMF15C produced by ON SEMI (www.onsemi.com). Note that the SIM peripheral circuit should be close to the SIM card socket. The following figure shows the 8-pin SIM card holder reference circuit.

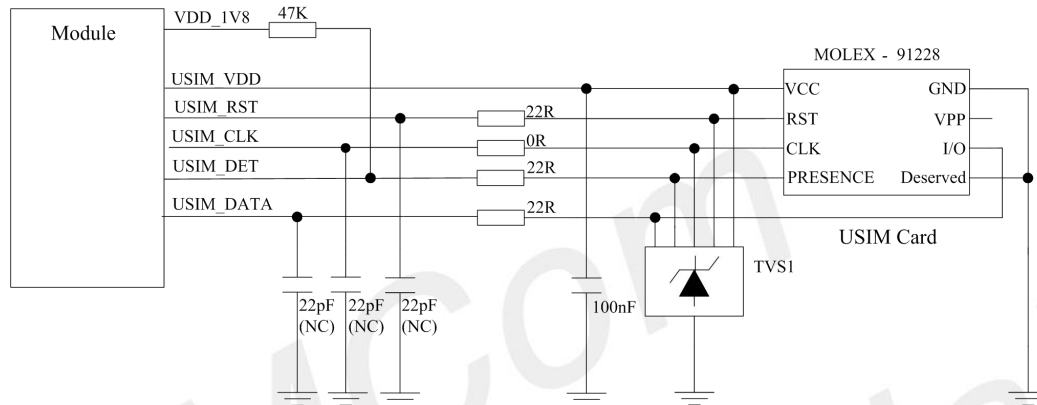


Figure 18: Reference circuit of the 8-pin SIM card holder

The SIM_DET pin is used for detection of the SIM card hot plug in. User can select the 8-pin SIM card holder to implement SIM card detection function.

If the SIM card detection function is not used, user can keep the SIM_DET pin open. The reference circuit of 6-pin SIM card holder is illustrated in the following figure.

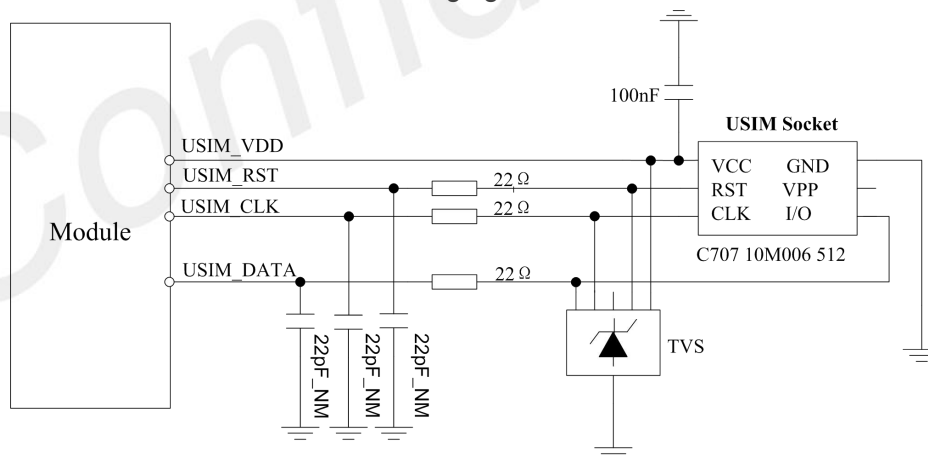


Figure 19: SIM interface reference circuit

NOTE

SIM_DATA has been pulled up with a 10KΩ resistor to SIM_VDD in module. A 100nF capacitor on SIM_VDD is used to reduce interference. For more details of AT commands about SIM, please refer to document [1].

3.5.2 SIM Card Design Guide

SIM card signal could be interfered by some high frequency signal, it is strongly recommended to follow these guidelines while designing:

- SIM card holder should be far away from main antenna
- SIM traces should keep away from RF lines, VBAT and high-speed signal lines
- The traces should be as short as possible
- Keep SIM card holder's GND connect to main ground directly
- Shielding the SIM card signal by ground well
- Recommended to place a 100nF capacitor on SIM_VDD line and keep close to the SIM card holder
- Add some TVS which parasitic capacitance should not exceed 50pF
- Add 22Ω resistor to (SIM_RST/SIM_CLK/SIM_DATA) signal could enhance ESD protection
- Mount 22pF capacitor to (SIM_RST/SIM_CLK/SIM_DATA) signal if having RF signal interference

3.5.3 Recommended SIM Card Holder

It is recommended to use the 6-pin SIM socket such as C707 10M006 512 produced by Amphenol. User can visit <http://www.amphenol.com> for more information about the holder.

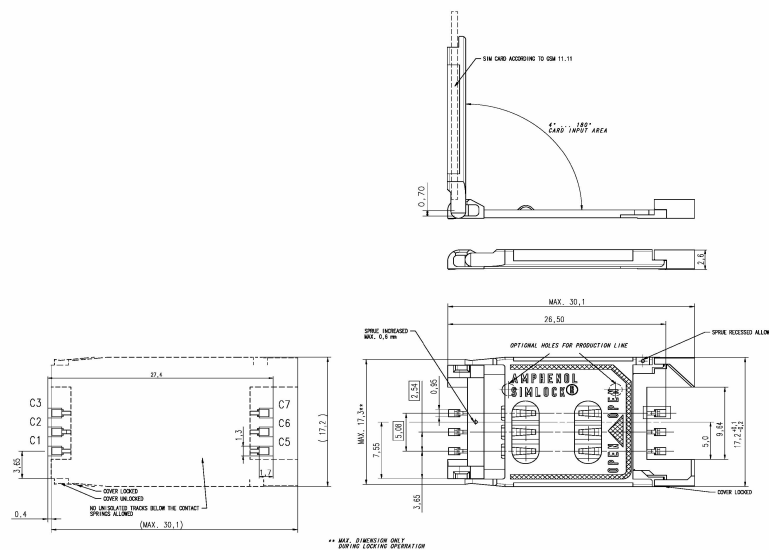


Figure 20: Amphenol SIM card socket

Table 13: Amphenol SIM Socket Pin Description

Pin	Signal	Description
C1	SIM_VDD	SIM Card Power supply.
C2	SIM_RST	SIM Card Reset.
C3	SIM_CLK	SIM Card Clock.
C5	GND	Connect to GND.
C6	VPP	

3.6 PCM Interface

Module provides a PCM interface for external codec, which can be used in master mode with short sync and 16 bits linear format.

Table 14: PCM Format

Characteristics	Specification
Line Interface Format	Linear(Fixed)
Data length	16bits(Fixed)
PCM Clock/Sync Source	Master Mode(Fixed)
PCM Clock Rate	2048 KHz (Fixed)
PCM Sync Format	Short sync(Fixed)
Data Ordering	MSB

NOTE

For more details about PCM AT commands, please refer to document [1].

3.6.1 PCM Timing

Module supports 2.048 MHz PCM data and sync timing for 16 bits linear format codec.

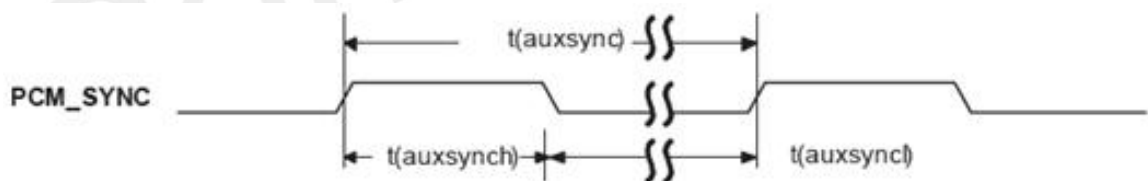


Figure 21: PCM_SYNC timing

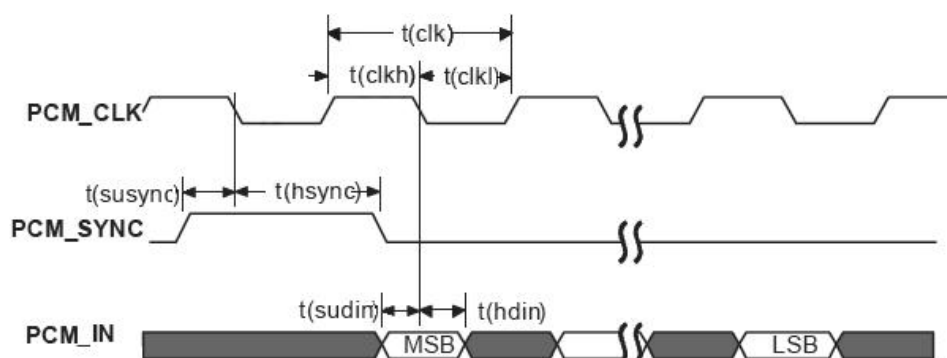


Figure 22: EXT CODEC to MODULE timing

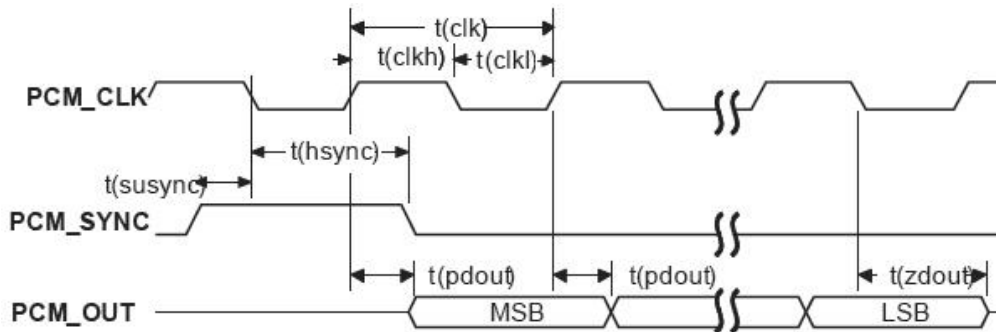


Figure 23: MODULE to EXT CODEC timing

Table 15: PCM Timing parameters

Parameter	Description	Min.	Typ.	Max.	Unit
T(sync)	PCM_SYNC cycle time	–	125	–	μs
T(synch)	PCM_SYNC high level time	–	488	–	ns
T(sync _l)	PCM_SYNC low level time	–	124.5	–	μs
T(clk)	PCM_CLK cycle time	–	488	–	ns
T(clk _h)	PCM_CLK high level time	–	244	–	ns
T(clk _l)	PCM_CLK low level time	–	244	–	ns
T(susync)	PCM_SYNC setup time high before falling edge of PCM_CLK	–	122	–	ns
T(hsync)	PCM_SYNC hold time after falling edge of PCM_CLK	–	366	–	ns
T(sudin)	PCM_IN setup time before falling edge of PCM_CLK	60	–	–	ns
T(hdin)	PCM_IN hold time after falling edge of PCM_CLK	60	–	–	ns
T(pdout)	Delay from PCM_CLK rising to PCM_OUT valid	–	–	60	ns
T(zdout)	Delay from PCM_CLK falling to PCM_OUT HIGH-Z	–	–	60	ns

3.6.2 PCM Application Guide

The following figure shows the external codec reference design.

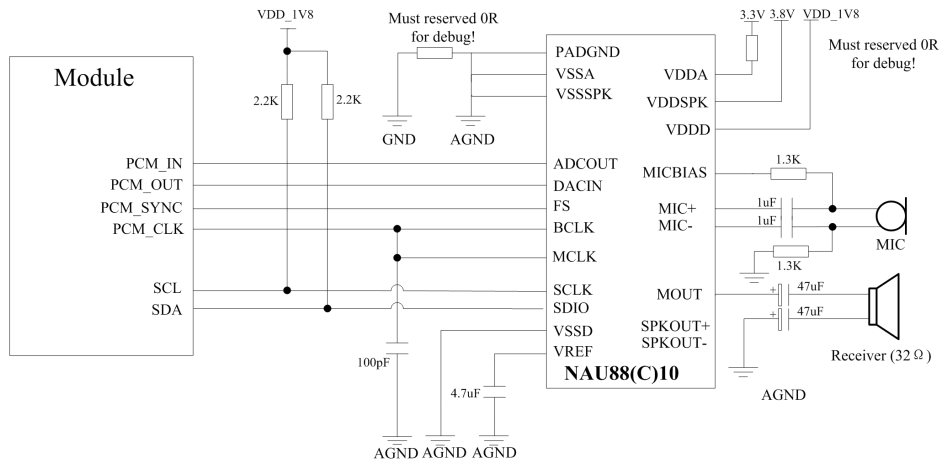


Figure 24: Audio Codec Reference Circuit

NOTE

Module can transmit PCM data by the USB port besides the PCM interface. For more details please refer to documents [1] and [23].

3.7 I2C Interface

Module provides a I2C interface compatible with I2C specification, version 2.1, with clock rate up to 400 kbps. Its operation voltage is 1.8V.

3.7.1 I2C Design Guide

The following figure shows the I2C bus reference design.

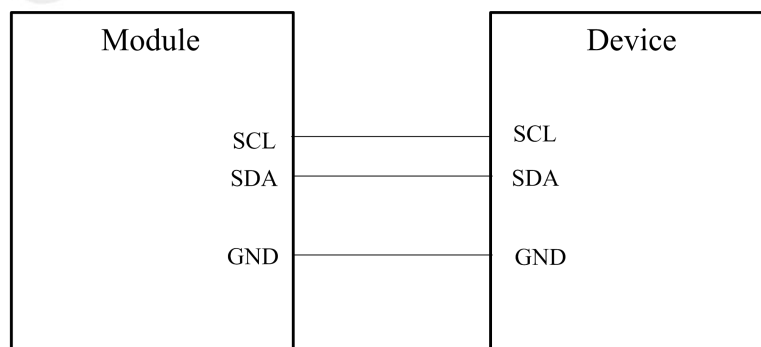


Figure 25: I2C reference circuit

NOTE

SDA and SCL have pull-up resistors in module. So, 2 external pull up resistors are not needed in application circuit.

“AT+CRIC and AT+CWIC” AT commands could be used to read/write register values of the I2C peripheral devices. For more details about AT commands please refer to document [1].

3.8 Network Status

The NETLIGHT pin is used to control Network Status LED, its reference circuit is shown in the following figure.

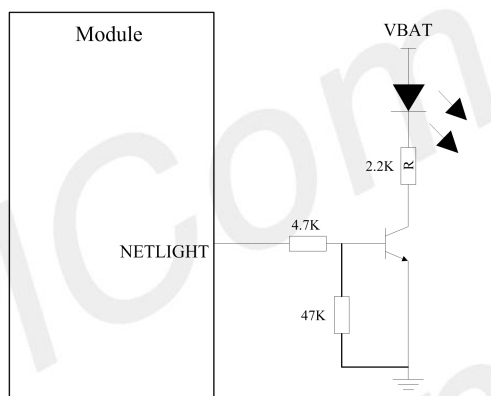


Figure 26: NETLIGHT reference circuit

NOTE

The value of the resistor named “R” depends on the LED characteristic.

Table 16: NETLIGHT pin status

NETLIGHT pin status	Module status
Always On	Searching Network; Call Connect(include VOLTE,SRLTE)
200ms ON, 200ms OFF	Data Transmit; 4G registered;
800ms ON, 800ms OFF	2G/3G registered network
OFF	Power off ;Sleep

NOTE

NETLIGHT output low level as “OFF”, and high level as “ON”.

3.9 Operating Status Indication

The pin50 is for operating status indication of the module. The pin output is high when module is powered on, and output is low when module is powered off.

Table 17: Pin definition of the STATUS

Pin name	Pin number	Description
STATUS	50	Operating status indication

NOTE

For timing about STATUS, please reference to the chapter “3.2 power on/down scenarios”

3.10 Flight Mode Control

The FLIGHTMODE pin can be used to control SIM7500x to enter or exit the Flight mode. In Flight mode, the RF circuit is closed to prevent interference with other equipment’s and minimize current consumption. Bidirectional ESD protection component is suggested to add on FLIGHTMODE pin, its reference circuit is shown in the following figure.

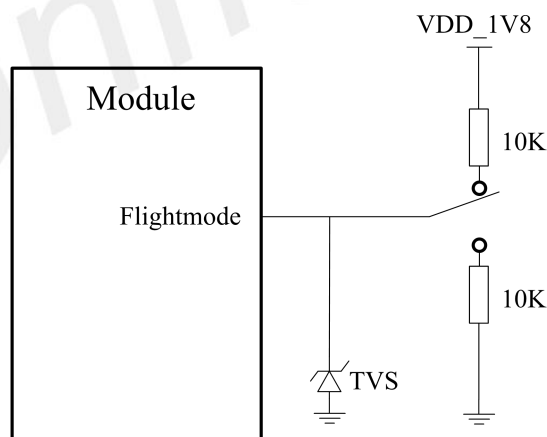


Figure 27: Flight Mode Switch Reference Circuit

Table 18: FLIGHTMODE Pin Status

FLIGHTMODE Pin Status	Module operation
Input Low Level	Flight Mode: RF is closed
Input High Level	AT+CFUN=0: RF is closed

AT+CFUN=1:RF is working

NOTE

FlightMode Can't be used when Module is in sleep mode.

3.11 Pin Multiplex Function

Some pins of Module could be used for alternate function besides default function.

Table 19: Pin multiplex function list

Pin Number	Pin Name	Default Function	Alternate Function
4	SCL	SCL	GPIO11
5	SDA	SDA	GPIO10
12	SIM_DET	GPIO34	SIM_DET
18	PCM_CLK	PCM_CLK	GPIO23,SPI_CLK I2C_SCL
19	PCM_SYNC	PCM_SYNC	GPIO20,SPI_MOSI
20	PCM_IN	PCM_IN,	GPIO21,SPI_MISO
21	PCM_OUT	PCM_OUT	GPIO22,SPI_CS_N I2C_SDA

NOTE

For more details of AT commands about GPIO multiplex function, please refer to document [1].

3.12 Other interface

3.12.1 Sink Current Source

The ISINK pin is VBAT tolerant and intended to drive some passive devices such as LCD backlight, white LED, etc. Its output current can be up to 40 mA and be set by the AT command “AT+ CLEDITST”.

Table 20: Sink current electronic characteristic

Symbol	Description	Min.	Typ.	Max.	Unit
--------	-------------	------	------	------	------

V_{ISINK}	Voltage tolerant	0.5	-	V_{BAT}	V
I_{ISINK}	Current tolerant	0	-	40	mA

I_{SINK} is a ground-referenced current sink. The following figure shows its reference circuit.

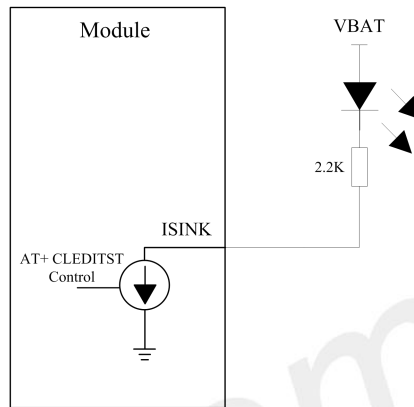


Figure 28: I_{SINK} reference circuit

NOTE

The sinking current can be adjusted to meet the design requirement through the AT command “AT+ CLEDITST =<0>, <value>”. The “value” ranges from 0 to 8, on behalf of the current from 0mA to 40mA by 5mA step.

3.12.2 ADC

Module has 1 dedicated ADC pins named ADC. They are available for digitizing analog signals such as battery voltage and so on. These electronic specifications are shown in the following table.

Table 21: ADC Electronic Characteristics

Characteristics	Min.	Typ.	Max.	Unit
Resolution	–	15	–	Bits
Input Range	0.1		1.7	V
Input serial resistance	1	–	–	MΩ

NOTE

“AT+CADC” can be used to read the voltage of the ADC pins, for more details, please refer to document

[1].

SIMCom
Confidential

4 RF Specifications

4.1 WCDMA/ LTE RF Specifications

Table 22: Conducted transmission power

Frequency	Power	Min.
E-GSM900	33dBm \pm 2dB	5dBm \pm 5dB
DCS1800	30dBm \pm 2dB	0dBm \pm 5dB
E-GSM900 (8-PSK)	27dBm \pm 3dB	5dBm \pm 5dB
DCS1800 (8-PSK)	26dBm +3/-4dB	0dBm \pm 5dB
WCDMA B1	24dBm +1/-3dB	<-50dBm
WCDMA B2	24dBm +1/-3dB	<-50dBm

WCDMA B5	24dBm +/-3dB	<-50dBm
WCDMA B8	24dBm +/-3dB	<-50dBm
LTE-FDD B1	23dBm +/-2.7dB	<-40dBm
LTE-FDD B2	23dBm +/-2.7dB	<-40dBm
LTE-FDD B3	23dBm +/-2.7dB	<-40dBm
LTE-FDD B4	23dBm +/-2.7dB	<-40dBm
LTE-FDD B5	23dBm +/-2.7dB	<-40dBm
LTE-FDD B7	23dBm +/-2.7dB	<-40dBm
LTE-FDD B8	23dBm +/-2.7dB	<-40dBm
LTE-FDD B12	23dBm +/-2.7dB	<-40dBm
LTE-FDD B18	23dBm +/-2.7dB	<-40dBm
LTE-FDD B19	23dBm +/-2.7dB	<-40dBm
LTE-FDD B20	23dBm +/-2.7dB	<-40dBm
LTE-FDD B26	23dBm +/-2.7dB	<-40dBm
LTE-FDD B28	23dBm +/-2.7dB	<-40dBm

Table 23: Operating frequencies

Frequency	Receiving	Transmission
E-GSM900	925~960MHz	880~915 MHz
DCS1800	1805~1880MHz	1710~1785MHz
WCDMA B1	2110 ~2170 MHz	1920 ~1980 MHz
WCDMA B2	1930~1990 MHz	1850~1910 MHz
WCDMA B5	869~894 MHz	824~849 MHz
WCDMA B8	925~960 MHz	880 ~915 MHz
LTE-FDD B1	2110 ~2170 MHz	1920 ~1980 MHz
LTE-FDD B2	1930 ~1990 MHz	1850 ~1910 MHz
LTE-FDD B3	1805 ~1880 MHz	1710 ~1785 MHz
LTE-FDD B4	2110~2155 MHz	1710 ~1755 MHz
LTE-FDD B5	869~894 MHz	824~849 MHz
LTE-FDD B7	2620~2690 MHz	2500 ~2570 MHz
LTE-FDD B8	925~960 MHz	880 ~915 MHz
LTE-FDD B12	729 ~746 MHz	699 ~716 MHz
LTE-FDD B18	860 ~875 MHz	815~830 MHz
LTE-FDD B19	875 ~890 MHz	830~845 MHz
LTE-FDD B20	832 ~862 MHz	791~821 MHz
LTE-FDD B26	859 ~894 MHz	814~849 MHz
LTE-FDD B28	758 ~803 MHz	703~748 MHz
GPS	1574.4 ~1576.44 MHz	-
GLONASS	1598 ~1606 MHz	-
BD	1559 ~1563 MHz	-

Table 24: Conducted receive sensitivity

Frequency	Receive sensitivity(Typical)	Receive sensitivity(MAX)
E-GSM900	< -109dBm	3GPP
DCS1800	< -109dBm	3GPP
WCDMA B1	< -110dBm	3GPP
WCDMA B2	< -110dBm	3GPP
WCDMA B5	< -110dBm	3GPP
WCDMA B8	< -110dBm	3GPP
LTE FDD/TDD	See table 21.	3GPP

Table 25: Reference sensitivity (QPSK)

E-UTRA band	3GPP standard						Test value@ 10 MHz
	1.4 MHz	3MHz	5MHz	10MHz	15 MHz	20 MHz	
FDD B1	-	-	-100	-97	-95.2	-94	-101.3
FDD B2	-102.7	-99.7	-98	-95	-93.2	-92	-101
FDD B3	-101.7	-98.7	-97	-94	-92.2	-91	-100
FDD B4	-104.7	-101.7	-100	-97	-95.2	-94	-102
FDD B5	-103.2	-100.2	-98	-95	-	-	-101
FDD B7	-	-	-98	-95	-93.2	-92	-98
FDD B8	-102.2	-99.2	-97	-94	-	-	-99.8
FDD B12	-101.7	-98.7	-97	-94	-	-	-101.5
FDD B18	-	-	-100	-97	-95.2	-	-101
FDD B19	-	-	-100	-97	-95.2	-	-101
FDD B20	-	-	-97	-94	-91.2	-90	-102
FDD B25	-101.2	-98.2	-96.5	-93.5	-91.7	-90.5	-100
FDD B26	-102.7	-99.7	-97.5	-94.5	-92.7	-	-101
FDD B28	-	-100.2	-98.5	-95.5	-93.7	-91	TBD

4.2 GSM/WCDMA/LTE Antenna Design Guide

Users should connect antennas to Module's antenna pads through the micro-strip line or other types of RF trace. The trace impedance must be controlled in 50Ω. SIMCom recommends that the total insertion loss between Module and antenna should meet the following requirements:

Table 26: Recommended Passive Antenna Characteristics

Passive	Recommended standard
Direction	Omnidirectional
Gain	>-3dBi (Avg)
Input impedance	50 ohm
Efficiency	>50%
VSWR	<2

Table 27: Trace Loss

Frequency	Loss
700MHz-960MHz	<0.5dB
1710MHz-2170MHz	<0.9dB
2300MHz-2650MHz	<1.2dB

To facilitate the antenna tuning and certification test, a RF connector and an antenna matching circuit should be added. The following figure is the recommended circuit.

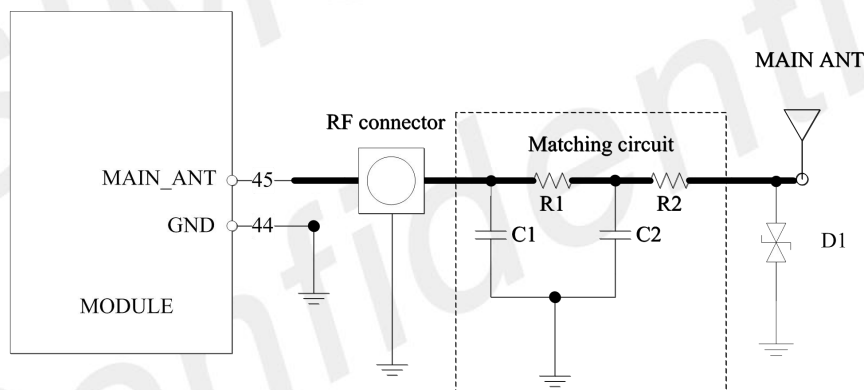


Figure 29: Antenna matching circuit (MAIN_ANT)

In above figure, the components R1,C1,C2 and R2 are used for antenna matching, the value of components can only be achieved after the antenna tuning and usually provided by antenna vendor. By default, the R1, R2 are 0Ω resistors, and the C1, C2 are reserved for tuning. The component D1 is a TVS for ESD protection, and it is optional for users according to application environment.

The RF test connector is used for the conducted RF performance test, and should be placed as close as to the module's MAIN_ANT pin. The traces impedance between Module and antenna must be controlled in 50Ω.

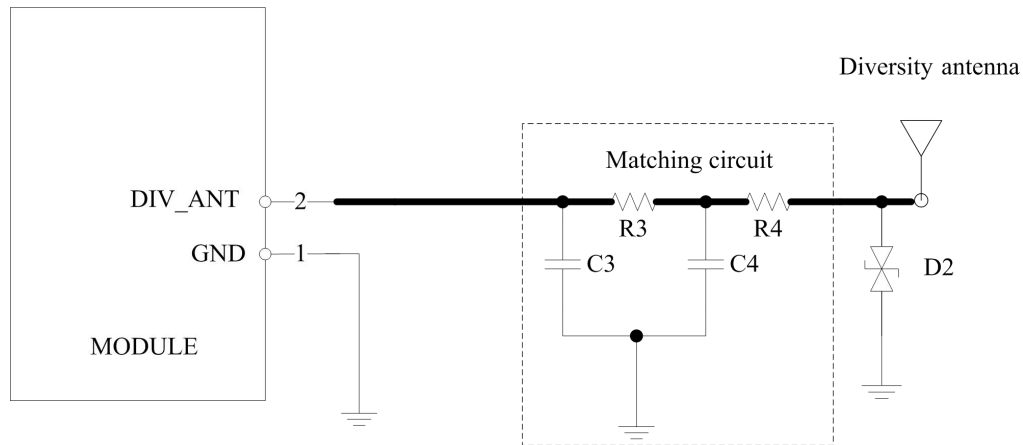


Figure 30: Antenna matching circuit (DIV_ANT)

In above figure, R3, C3, C4 and R4 are used for auxiliary antenna matching. By default, the R3, R4 are 0Ω resistors, and the C3, C4 are reserved for tuning. D2 is a TVS for ESD protection, and it is optional for users according to application environment.

Two TVS are recommended in the table below.

Table 28: Recommended TVS

Package	Part Number	Vender
0201	WE05DGCMS-BH	CYGWAYON
0402	PESD0402-03	PRISEMI
0402	PESD0402-12	PRISEMI

NOTE

SIMCom suggests the LTE auxiliary antenna to be kept on, since there are many high bands in the designing of FDD-LTE. Because of the high insert loss of the RF cable and layout lines, the receiver sensitivity of these bands above will have risk to meet the authentication without the diversity antenna. For more details about auxiliary antenna design notice, please refer to document [24]

4.3 GNSS

SIM7500 series merges GNSS satellite and network information to provide a high-availability solution that offers industry-leading accuracy and performance. This solution performs well, even in very challenging environmental conditions where conventional GNSS receivers fail, and provides a platform to enable wireless operators to address both location-based services and emergency mandates.

4.3.1 GNSS Technical specification

- Tracking sensitivity: -159 dBm (GPS) /-158 dBm (GLONASS) /-159dBm(BD)
- Cold-start sensitivity: -148 dBm
- Accuracy (Open Sky): 2.5m (CEP50)
- TTFF (Open Sky) : Hot start <1s, Cold start<35s
- Receiver Type: 16-channel, C/A Code
- GPS L1 Frequency: 1575.42±1.023MHz
- GLONASS: 1597.5~1605.8 MHz
- BD: 1559.05~1563.14 MHz
- Update rate: Default 1 Hz
- GNSS data format: NMEA-0183
- GNSS Current consumption : 100mA ((WCDMA/LTE Sleep ,in total on VBAT pins)
- GNSS antenna: Passive/Active antenna

NOTE

If the antenna is active type, the power should be given by main board, because there is no power supply on GPS antenna pad. If the antenna is passive, it is suggested that the external LNA should be used.

4.3.2 GNSS Application Guide

Users can adopt an active antenna or a passive antenna as GNSS signal transceiver. In this document, all GNSS specification mentioned is from passive antenna. The following is the reference circuit.

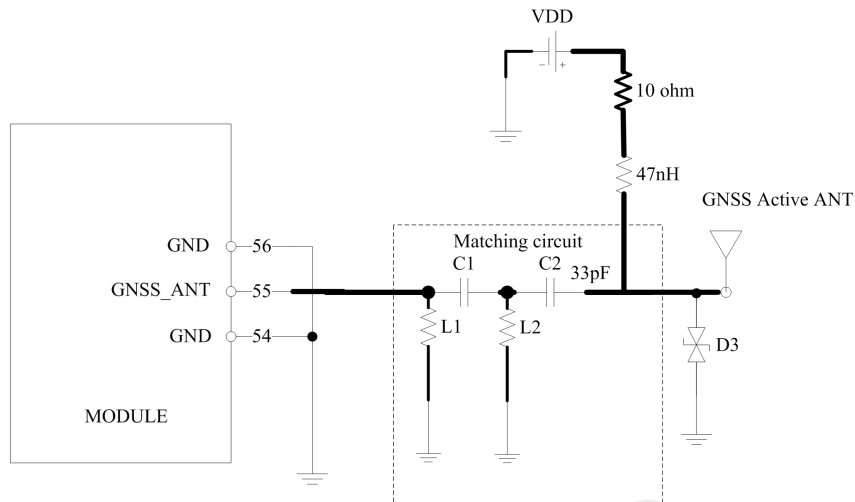


Figure 31: Active antenna circuit

NOTE

If customer need save the power when the GNSS function is disabled, then customer should design a switch circuit to cut off the active antenna power to get a lower power consumption.

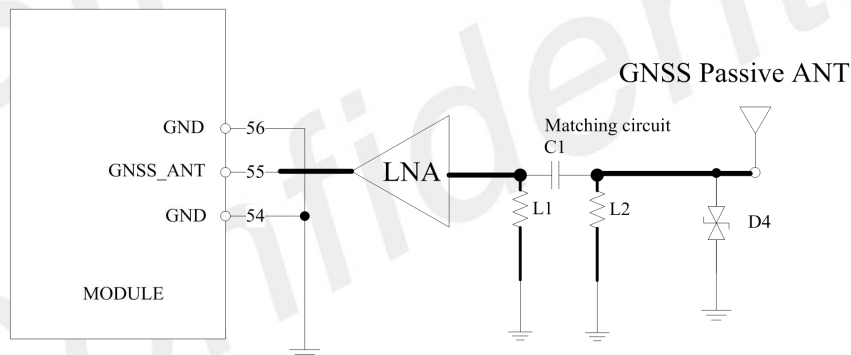


Figure 32: Passive antenna circuit (Default)

In above figures, the components C1 and L1, L2 are used for antenna matching, the values of the components can only be obtained after the antenna tuning and usually provided by antenna vendor. C2 in Figure 29 is used for DC blocking. L3 is the matching component of the external LNA, and the value of L3 is determined by the LNA characteristic and PCB layout. Both VDD of active antenna and V_LNA need external power supplies which should be considered according to active antenna and LNA characteristic. LDO/DCDC is recommended to get lower current consuming by shutting down active antennas and LNA when GNSS is not working.

LNA should apply the following requirements as table 28. LNA is also suggested to put near the passive antenna.

Table 29: LNA requirements

Parameter	Min	Max	Unit
Vdd	1.5	3.3	V
Idd		3	mA
LNA_EN	1.3		V
Gain	14	17	dB
VSWR		2	

GNSS can be used by NMEA port. User can select NMEA as output through UART or USB. NMEA sentences are automatic and no command is provided. NMEA sentences include GSV, GGA, RMC, GSA, and VTG. Before using GNSS, user should configure SIM7500 series in proper operating mode by AT command. Please refer to related document for details. SIM7500 series can also get position location information through AT directly.

NOTE

GNSS is closed by default, it could be started by AT+CGPS. The AT command has two parameters, the first is on/off, and the second is GNSS mode. Default mode is standalone mode. AGPS mode needs more support from the mobile telecommunication network. Please refer to document [24] for more details.

Confidential

5 Electrical Specifications

5.1 Absolute Maximum Ratings

Absolute maximum rating for digital and analog pins of Module are listed in the following table:

Table 30: Absolute maximum ratings

Parameter	Min	Max	Unit
Voltage at VBAT	-0.5	4.7	V

Voltage at VBUS	-0.5	5.5	V
Voltage at digital pins (RESET,SPI,GPIO,I2C,UART,PCM)	-0.3	2.1	V
Voltage at digital pins :SIM	-0.3	3.05	V
Voltage at PWRKEY	-0.3	1.8	V

5.2 Operating Conditions

Table 31: Recommended operating ratings

Parameter	Min	Type	Max	Unit
Voltage at VBAT	3.4	3.8	4.2	V
Voltage at VBUS	3.0	5	5.25	V

Table 32: 1.8V Digital I/O characteristics

Parameter	Description	Min.	Typ.	Max.	Unit
V _{IH}	High-level input voltage	1.17	1.8	2.1	V
V _{IL}	Low-level input voltage	-0.3	0	0.63	V
V _{OH}	High-level output voltage	1.35	-	1.8	V
V _{OL}	Low-level output voltage	0	-	0.45	V
I _{OH}	High-level output current(no pull down resistor)	-	2	-	mA
I _{OL}	Low-level output current(no pull up resistor)	-	-2	-	mA
I _{IH}	Input high leakage current (no pull down resistor)	-	-	1	uA
I _{IL}	Input low leakage current(no pull up resistor)	-1	-	-	uA

NOTE

These parameters are for digital interface pins, such as SPI, GPIOs (NETLIGHT), I2C, UART, PCM.

The operating temperature of Module is listed in the following table.

Table 33: Operating temperature

Parameter	Min	Type	Max	Unit
Normal operation temperature	-30	25	80	°C
Extended operation temperature*	-40	25	85	°C
Storage temperature	-45	25	+90	°C

NOTE

Module is able to make and receive voice calls, data calls, SMS and make WCDMA/HSPA+/LTE traffic in -40 °C ~ +85 °C . The performance will be reduced slightly from the 3GPP specifications if the temperature is outside the normal operating temperature range and still within the extreme operating temperature range.

5.3 Operating Mode

5.3.1 Operating Mode Definition

The table below summarizes the various operating modes of Module series products.

Table 34: Operating Mode Definitions

Mode	Function
Normal operation	GSM/WCDMA / LTE Sleep In this case, the current consumption of module will be reduced to the minimal level and the module can still receive paging message and SMS and TCP/UDP.
	GSM/WCDMA / LTE Idle Software is active. Module is registered to the network, and the module is ready to communicate.
	GSM/WCDMA / LTE Talk Connection between two subscribers is in progress. In this case, the power consumption depends on network settings such as DTX off/on, FR/EFR/HR, hopping sequences, antenna.

GSM/WCDMA/LTE Standby	Module is ready for data transmission, but no data is currently sent or received. In this case, power consumption depends on network settings.
GPRS/EDGE/WCDMA / LTE transmission	There is data transmission in progress. In this case, power consumption is related to network settings (e.g. power control level); uplink/downlink data rates, etc.
Minimum functionality mode	AT command "AT+CFUN=0" can be used to set the module to a minimum functionality mode without removing the power supply. In this mode, the RF part of the module will not work and the SIM card will not be accessible, but the serial port and USB port are still accessible. The power consumption in this mode is lower than normal mode.
Flight mode	AT command "AT+CFUN=4" or pulling down the FLIGHTMODE pin can be used to set the module to flight mode without removing the power supply. In this mode, the RF part of the module will not work but the serial port and USB port are still accessible. The power consumption in this mode is lower than normal mode.
Power off	Module will go into power off mode by sending the AT command "AT+CPOF" or by pulling down the PWRKEY pin normally. In this mode the power management unit shuts down the power supply and software is not active. The serial port and USB are is not accessible.

5.3.2 Sleep mode

In sleep mode, the current consumption of module will be reduced to the minimal level, and module can still receive paging message, SMS and TCP/UDP.

Several hardware and software conditions must be satisfied together in order to let Module enter into sleep mode:

1. UART condition
2. USB condition
3. Software condition

NOTE

Before designing, pay attention to how to realize sleeping/waking function and refer to Document [25] for more details.

5.3.3 Minimum functionality mode and Flight Mode

Minimum functionality mode ceases a majority function of module, thus minimizing the power consumption. This mode is set by the AT command which provides a choice of the functionality levels.

AT+CFUN=0: Minimum functionality

AT+CFUN=1: Full functionality (Default)

AT+CFUN=4: Flight mode

If Module has been set to minimum functionality mode, the RF function and SIM card function will be closed. In this case, the serial port and USB are still accessible, but RF function and SIM card will be unavailable.

If Module has been set to flight mode, the RF function will be closed. In this case, the serial port and USB are still accessible, but RF function will be unavailable.

When Module is in minimum functionality or flight mode, it can return to full functionality by the AT command "AT+CFUN=1".

5.4 Current Consumption

The current consumption is listed in the table below.

Table 35: Current consumption on VBAT Pins (VBAT=3.8V)

GNSS

GNSS supply current (AT+CFUN=0,with USB connection)	@-140dBm, Tracking Typical:35mA
--	---------------------------------

GSM Sleep mode/Idle Mode

GSM/GPRS supply current (GNSS off, without USB connection)	Sleep mode@BS_PA_MFRMS=2 Typical: 2.8mA Idle mode@BS_PA_MFRMS=2 Typical: 18mA
---	--

UMTS Sleep/Idle Mode

WCDMA supply current (without USB connection)	Sleep mode @DRX=9 Typical: 3.3mA Idle mode @DRX=9 Typical: 17.5mA
--	--

LTE Sleep/Idle mode

LTE supply current (without USB connection)	Sleep mode @DRX=9 Typical: 2.3mA Idle mode @DRX=9 Typical: 17.5mA
--	--

GSM Talk

GSM 900	@power level #5 Typical: 220mA
DCS1800	@power level #5 Typical: 162mA

UMTS Talk

WCDMA B1	@Power 23.0dBm	Typical: 535mA
WCDMA B2	@Power 22.0dBm	Typical: 524mA
WCDMA B5	@Power 23.5dBm	Typical: 480mA
WCDMA B8	@Power 23.5dBm	Typical: 530mA

GPRS

GSM 900 (1 Rx,4 Tx)	@power level #5 Typical: 230mA
DCS1800 (1 Rx,4 Tx)	@power level #0 Typical: 195mA
GSM 900 (3Rx, 2 Tx)	@power level #5 Typical: 370mA
DCS1800 (3Rx, 2 Tx)	@power level #0 Typical: 275mA

EDGE

GSM 900 (1 Rx,4 Tx)	@power level #8 Typical: 400mA
DCS1800 (1 Rx,4 Tx)	@power level #2 Typical: 300mA
GSM 900 (3Rx, 2 Tx)	@power level #8 Typical: 320mA
DCS1800 (3Rx, 2 Tx)	@power level #2 Typical: 230mA

HSDPA Data

WCDMA B1	@Power 22.5dBm	Typical: 406mA
WCDMA B2	@Power 23.4dBm	Typical: 468mA
WCDMA B5	@Power 23.6dBm	Typical: 426mA
WCDMA B8	@Power 21.9dBm	Typical: 420mA

LTE Data

LTE-FDD B1	@5 MHz	22.2dBm	Typical: 482mA
	@10 MHz	22.7dBm	Typical: 489mA
	@20 MHz	22.4dBm	Typical: 534mA
LTE-FDD B2	@5 MHz	22.2dBm	Typical: 589mA
	@10 MHz	22.7dBm	Typical: 577mA
	@20 MHz	22.4dBm	Typical: 626mA
LTE-FDD B3	@5 MHz	22.2dBm	Typical: 479mA
	@10 MHz	22.7dBm	Typical: 491mA
	@20 MHz	22.4dBm	Typical: 538mA
LTE-FDD B4	@5 MHz	23.1dBm	Typical: 519mA
	@10 MHz	23.0dBm	Typical: 556mA
	@20 MHz	22.8dBm	Typical: 600mA
LTE-FDD B5	@3 MHz	24.0dBm	Typical: 489mA
	@5 MHz	23.8dBm	Typical: 483mA
	@10 MHz	23.9dBm	Typical: 497mA
LTE-FDD B7	@5 MHz	22.6dBm	Typical: 593mA
	@10 MHz	22.7dBm	Typical: 611mA
	@20 MHz	24.5dBm	Typical: 650mA
LTE-FDD B8	@5 MHz	22.2dBm	Typical: 476mA
	@10 MHz	22.7dBm	Typical: 481mA
LTE-FDD B12	@5 MHz	22.7dBm	Typical: 516mA
	@10 MHz	22.9dBm	Typical: 512mA

LTE-FDD B18	@5 MHz	22.7dBm	Typical: 516mA
	@10 MHz	22.9dBm	Typical: 512mA
LTE-FDD B19	@5 MHz	23.3dBm	Typical: 477mA
	@10 MHz	23.5dBm	Typical: 482mA
LTE-FDD B20	@5 MHz	23.6dBm	Typical: 412mA
	@10 MHz	23.4dBm	Typical: 450mA
LTE-FDD B26	@5 MHz	24.0dBm	Typical: 591mA
	@10 MHz	24.0dBm	Typical: 526mA
	@20 MHz	23.9dBm	Typical: 670mA
LTE-FDD B28	@5 MHz	23.6dBm	Typical: 433mA
	@10 MHz	23.4dBm	Typical: 480mA
	@5 MHz	23.9dBm	Typical: 700mA
	@10 MHz	23.8dBm	Typical: 608mA
	@20 MHz	24.5dBm	Typical: 700mA

5.5 ESD Notes

Module is sensitive to ESD in the process of storage, transporting and assembling. Especially, Module is mounted on the users' mother board, The ESD components should be placed beside the connectors which human body might touch, such as SIM card holder, audio jacks, switches and keys, etc. The following table shows the Module ESD measurement performance without any external ESD component.

Table 36: The ESD performance measurement table (Temperature: 25°C, Humidity: 45%)

Part	Contact discharge	Air discharge
GND	+/-4K	+/-8K
VBAT	+/-4K	+/-8K
Antenna port	+/-4K	+/-8K
USB	+/-1K	+/-2K
UART	+/-1K	+/-2K
PCM	+/-1K	+/-2K
Other PADS	+/-1K	+/-2K

SIMCom
Confidential

6 SMT Production Guide

6.1 Top and Bottom View of Module

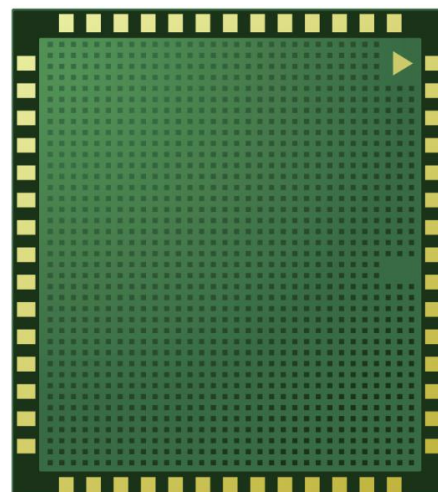
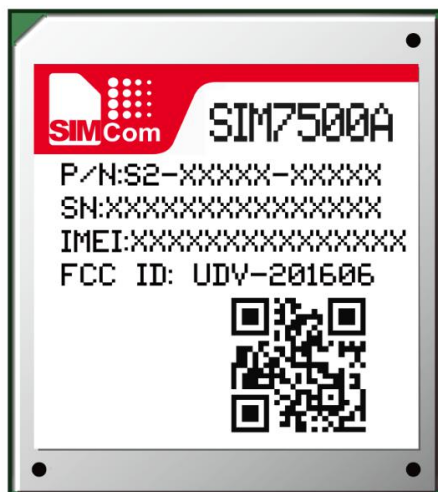


Figure 33: Top and bottom view of Module

NOTE

The above is the design effect diagram of the module for reference. The actual appearance is subject to the actual product.

6.2 Label Information

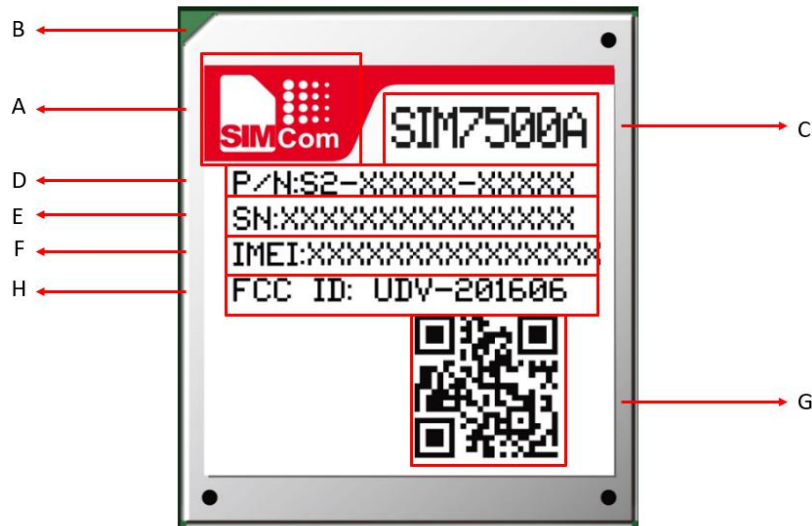


Figure 34: Label Information

Table 37: The Description of Label Information

No.	Description
A	LOGO
B	No.1 Pin
C	Project Name
D	Product Code
E	Serial Number
F	International Mobile Equipment Identity
G	QR code
H	Federal Communications Commission

6.3 Typical SMT Reflow Profile

SIMCom provides a typical soldering profile. Therefore the soldering profile shown below is only a generic recommendation and should be adjusted to the specific application and manufacturing constraints.

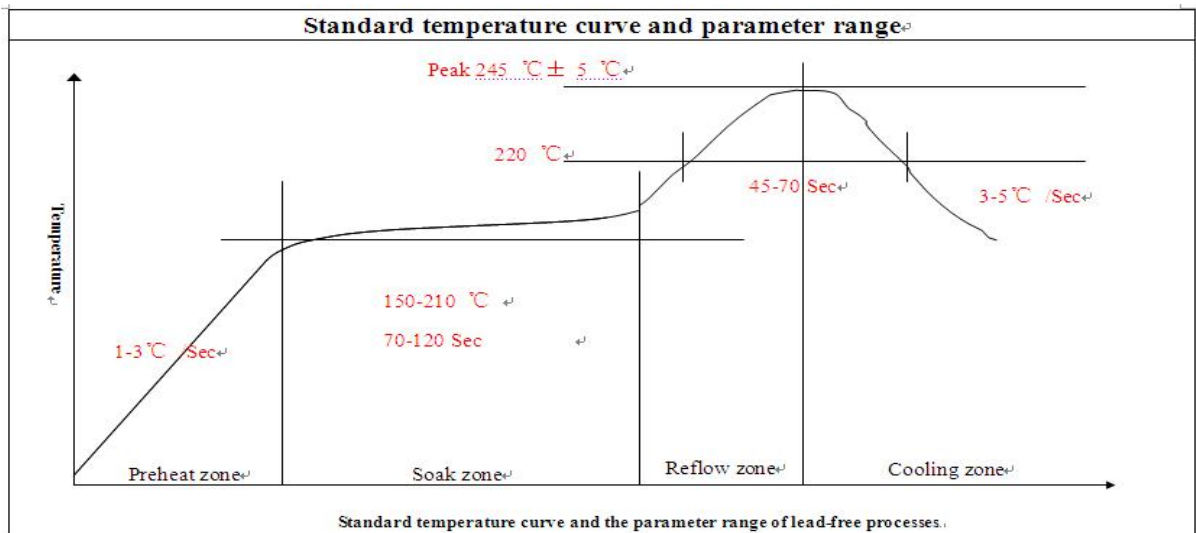


Figure 35: The ramp-soak-spike Reflow Profile of Module

NOTE

For more details about secondary SMT, please refer to the document [21].

6.4 Moisture Sensitivity Level (MSL)

Module is qualified to Moisture Sensitivity Level (MSL) 3 in accordance with JEDEC J-STD-033. If the prescribed time limit is exceeded, users should bake modules for 192 hours in drying equipment (<5% RH) at $40\pm 5/-0^{\circ}\text{C}$, or 72 hours at $85\pm 5/-5^{\circ}\text{C}$. Note that plastic tray is not heat-resistant, and only can be baked at 45°C .

Table 38: Moisture Sensitivity Level and Floor Life

Moisture Sensitivity Level (MSL)	Floor Life (out of bag) at factory ambient $\leq 30^{\circ}\text{C}/60\% \text{ RH}$ or as stated
1	Unlimited at $\leq 30^{\circ}\text{C}/85\% \text{ RH}$
2	1 year
2a	4 weeks
3	168 hours
4	72 hours
5	48 hours

5a	24 hours
6	Mandatory bake before use. After bake, it must be reflowed within the time limit specified on the label.

NOTE

IPC / JEDEC J-STD-033 standard must be followed for production and storage.

6.5 Stencil Foil Design Recommendation

The recommended thickness of stencil foil is 0.13mm.

SIMCom
Confidential

7 Packaging

Module support tray packaging.

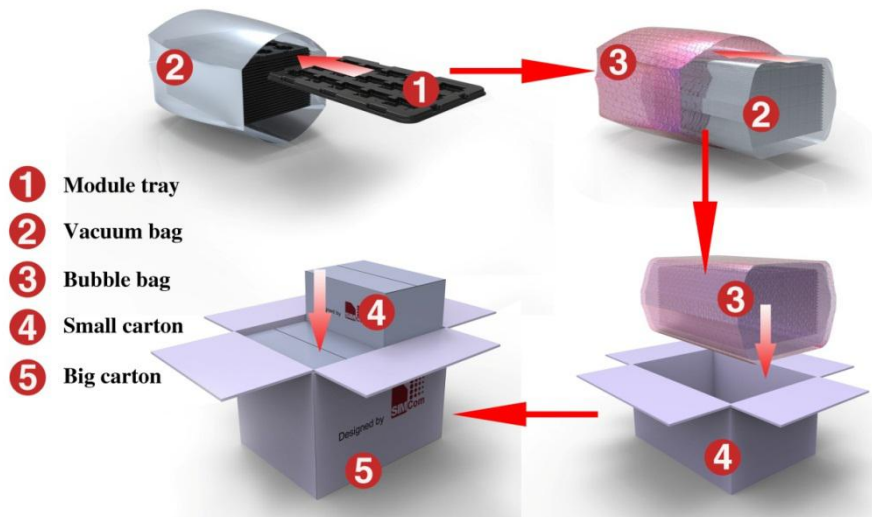


Figure 36: Packaging introduce

Module tray drawing:

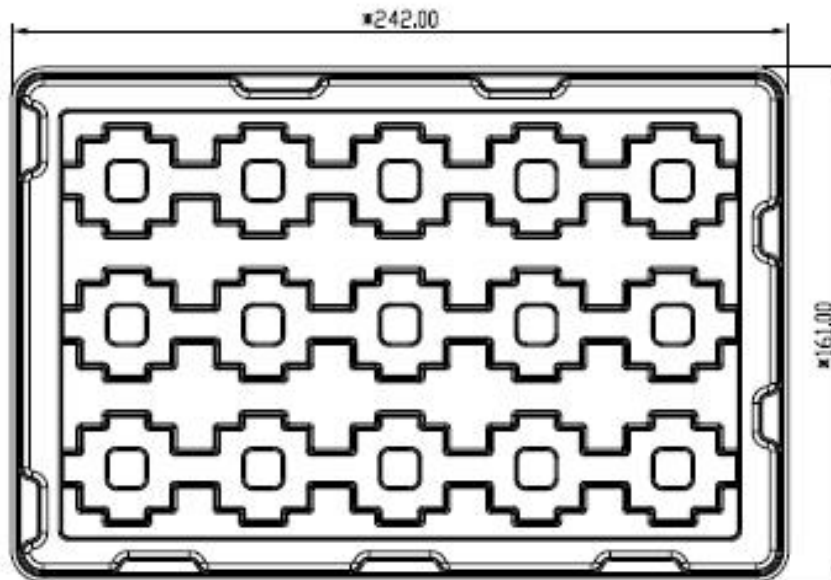


Figure 37: Tray drawing

Table 39: Tray size

Length ($\pm 3\text{mm}$)	Width ($\pm 3\text{mm}$)	Number
242.0	161.0	15

Small carton drawing:

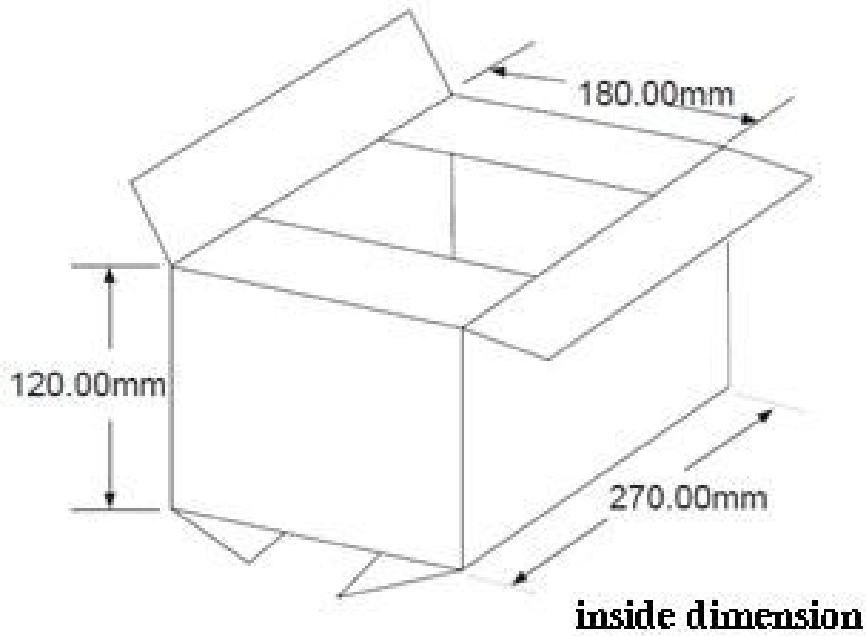


Figure 38: Small carton drawing introduce

Table 40: Small Carton size

Length ($\pm 10\text{mm}$)	Width ($\pm 10\text{mm}$)	Height ($\pm 10\text{mm}$)	Number
270	180	120	15*20=300

Big carton drawing:

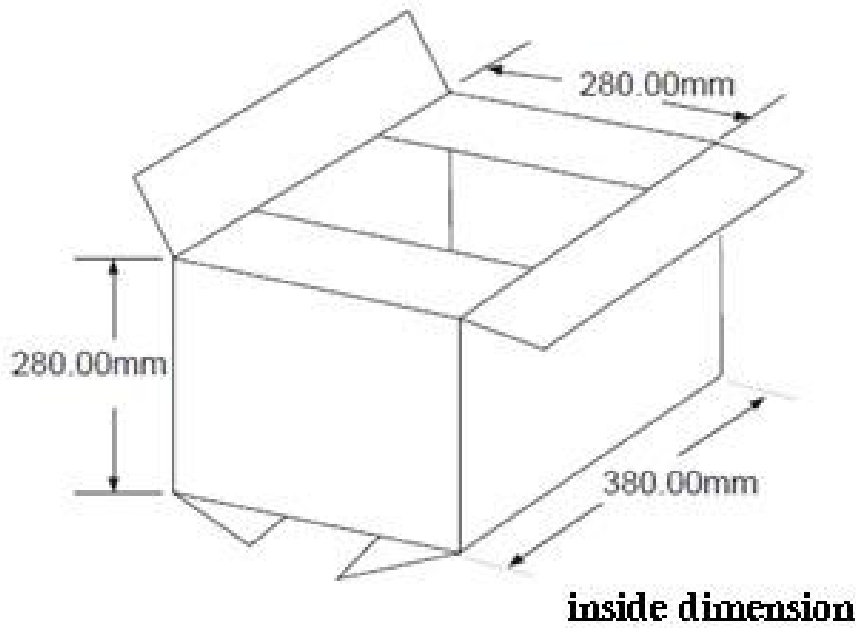


Figure 39: Big carton drawing introduce

Table 41: Big Carton size

Length (±10mm)	Width (±10mm)	Height (±10mm)	Number
380	280	280	300*4=1200

8 Appendix

8.1 Reference Design

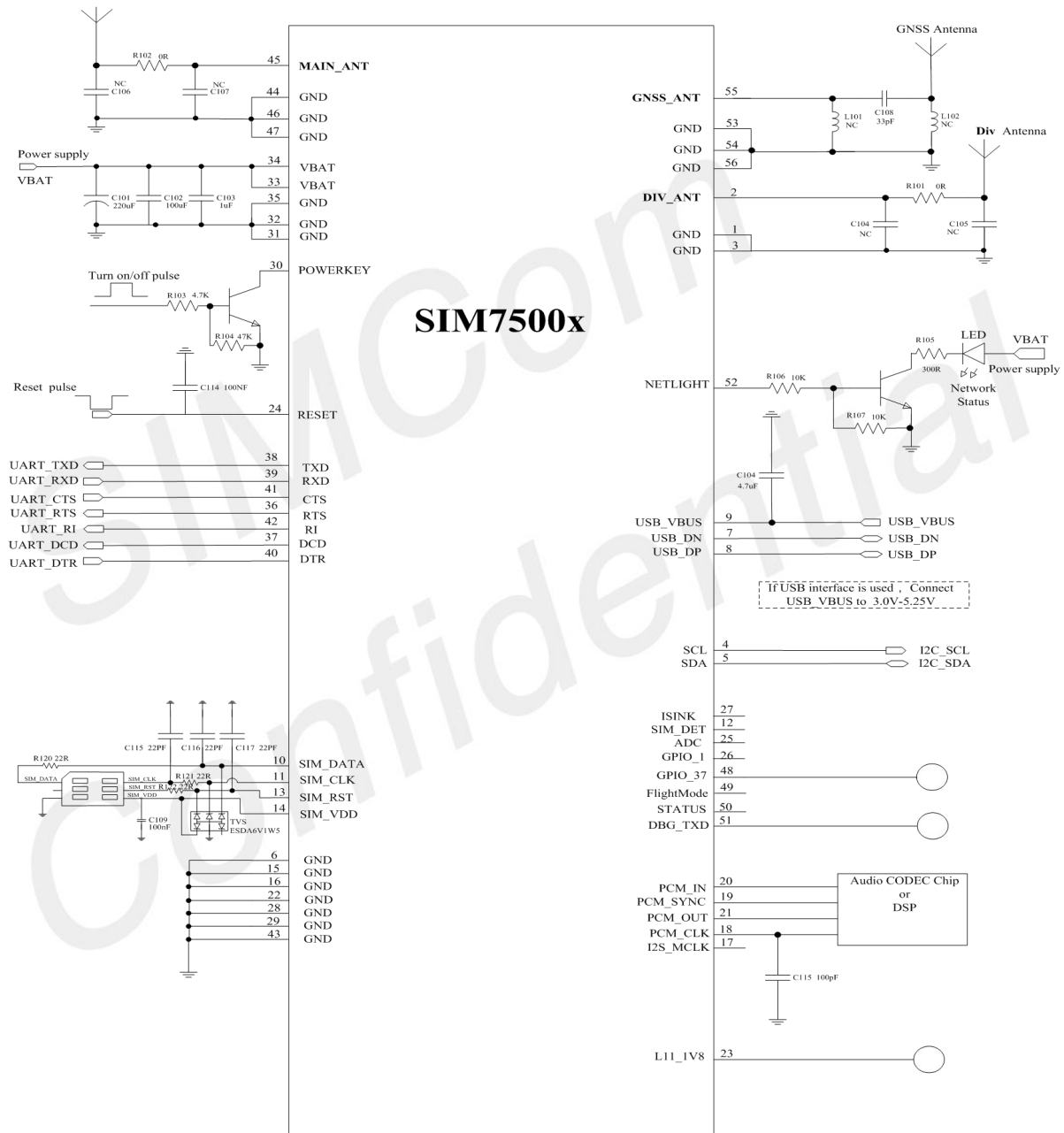


Figure 40: Reference design

NOTE

1. The UART port suggests to be used by isolated circuit.
2. If use SIM7500E Module, C115 should use 220pF.
3. C115 must be mounted.

SIMCom
Confidential

8.2 Coding Schemes and Maximum Net Data Rates over Air Interface

Table 42: Coding schemes and maximum net data rates over air interface

Multislot definition(GPRS/EDGE)			
Slot class	DL slot number	UL slot number	Active slot number
1	1	1	2
2	2	1	3
3	2	2	3
4	3	1	4
5	2	2	4
6	3	2	4
7	3	3	4
8	4	1	5
9	3	2	5
10	4	2	5
11	4	3	5
12	4	4	5
GPRS coding scheme	Max data rata (4 slots)		Modulation type
CS 1 = 9.05 kb/s / time slot	36.2 kb/s		GMSK
CS 2 = 13.4 kb/s / time slot	53.6 kb/s		GMSK
CS 3 = 15.6 kb/s / time slot	62.4 kb/s		GMSK
CS 4 = 21.4 kb/s / time slot	85.6 kb/s		GMSK
EDGE coding scheme	Max data rata (4 slots)		Modulation type
MCS 1 = 8.8 kb/s/ time slot	35.2 kb/s		GMSK
MCS 2 = 11.2 kb/s/ time slot	44.8 kb/s		GMSK
MCS 3 = 14.8 kb/s/ time slot	59.2 kb/s		GMSK
MCS 4 = 17.6 kb/s/ time slot	70.4 kb/s		GMSK
MCS 5 = 22.4 kb/s/ time slot	89.6 kb/s		8PSK
MCS 6 = 29.6 kb/s/ time slot	118.4 kb/s		8PSK
MCS 7 = 44.8 kb/s/ time slot	179.2 kb/s		8PSK
MCS 8 = 54.4 kb/s/ time slot	217.6 kb/s		8PSK
MCS 9 = 59.2 kb/s/ time slot	236.8 kb/s		8PSK
HSDPA device category	Max data rate (peak)		Modulation type
Category 1	1.2Mbps		16QAM,QPSK
Category 2	1.2Mbps		16QAM,QPSK
Category 3	1.8Mbps		16QAM,QPSK
Category 4	1.8Mbps		16QAM,QPSK
Category 5	3.6Mbps		16QAM,QPSK

Category 6	3.6Mbps	16QAM,QPSK
Category 7	7.2Mbps	16QAM,QPSK
Category 8	7.2Mbps	16QAM,QPSK
Category 9	10.2Mbps	16QAM,QPSK
Category 10	14.4Mbps	16QAM,QPSK
Category 11	0.9Mbps	QPSK
Category 12	1.8Mbps	QPSK
Category 13	17.6Mbps	64QAM
Category 14	21.1Mbps	64QAM
Category 15	23.4Mbps	16QAM
Category 16	28Mbps	16QAM
Category 17	23.4Mbps	64QAM
Category 18	28Mbps	64QAM
Category 19	35.5Mbps	64QAM
Category 20	42Mbps	64QAM
Category 21	23.4Mbps	16QAM
Category 22	28Mbps	16QAM
Category 23	35.5Mbps	64QAM
Category 24	42.2Mbps	64QAM
HSUPA device category	Max data rate (peak)	Modulation type
Category 1	0.96Mbps	QPSK
Category 2	1.92Mbps	QPSK
Category 3	1.92Mbps	QPSK
Category 4	3.84Mbps	QPSK
Category 5	3.84Mbps	QPSK
Category 6	5.76Mbps	QPSK
LTE-FDD device category (Downlink)	Max data rate (peak)	Modulation type
Category 1	10Mbps	QPSK/16QAM/64QAM
Category 2	50Mbps	QPSK/16QAM/64QAM
Category 3	100Mbps	QPSK/16QAM/64QAM
Category 4	150Mbps	QPSK/16QAM/64QAM
LTE-FDD device category (Uplink)	Max data rate (peak)	Modulation type
Category 1	5Mbps	QPSK/16QAM
Category 2	25Mbps	QPSK/16QAM
Category 3	50Mbps	QPSK/16QAM
Category 4	50Mbps	QPSK/16QAM

8.3 Related Documents

Table 43: Related Documents

SN	Title	Description
[1]	SIM7500_SIM7600 Series_AT Command Manual_V1.xx	AT Command Manual
[2]	ITU-T Draft new recommendation V.25ter	Serial asynchronous automatic dialing and control
[3]	GSM 07.07	Digital cellular telecommunications (Phase 2+); AT command set for GSM Mobile Equipment (ME)
[4]	GSM 07.10	Support GSM 07.10 multiplexing protocol
[5]	GSM 07.05	Digital cellular telecommunications (Phase 2+); Use of Data Terminal Equipment – Data Circuit terminating Equipment (DTE – DCE) interface for Short Message Service (SMS) and Cell Broadcast Service (CBS)
[6]	GSM 11.14	Digital cellular telecommunications system (Phase 2+); Specification of the SIM Application Toolkit for the Subscriber Identity Module – Mobile Equipment (SIM – ME) interface
[7]	GSM 11.11	Digital cellular telecommunications system (Phase 2+); Specification of the Subscriber Identity Module – Mobile Equipment (SIM – ME) interface
[8]	GSM 03.38	Digital cellular telecommunications system (Phase 2+); Alphabets and language-specific information
[9]	GSM 11.10	Digital cellular telecommunications system (Phase 2) ; Mobile Station (MS) conformance specification ; Part 1: Conformance specification
[10]	3GPP TS 51.010-1	Digital cellular telecommunications system (Release 5); Mobile Station (MS) conformance specification
[11]	3GPP TS 34.124	Electromagnetic Compatibility (EMC) for mobile terminals and ancillary equipment.
[12]	3GPP TS 34.121	Electromagnetic Compatibility (EMC) for mobile terminals and ancillary equipment.
[13]	3GPP TS 34.123-1	Technical Specification Group Radio Access Network; Terminal conformance specification; Radio transmission and reception (FDD)
[14]	3GPP TS 34.123-3	User Equipment (UE) conformance specification; Part 3: Abstract Test Suites.
[15]	EN 301 908-02 V2.2.1	Electromagnetic compatibility and Radio spectrum Matters (ERM); Base Stations (BS) and User Equipment (UE) for IMT-2000. Third Generation cellular networks; Part 2: Harmonized EN for IMT-2000, CDMA Direct Spread (UTRA FDD) (UE) covering essential requirements of article 3.2 of the R&TTE Directive
[16]	EN 301 489-24 V1.2.1	Electromagnetic compatibility and Radio Spectrum Matters (ERM); Electromagnetic Compatibility (EMC) standard for radio equipment and services; Part 24: Specific conditions for IMT-2000 CDMA Direct Spread (UTRA) for Mobile and portable (UE) radio and ancillary equipment
[17]	IEC/EN60950-1(2001)	Safety of information technology equipment (2000)
[18]	3GPP TS 51.010-1	Digital cellular telecommunications system (Release 5); Mobile Station (MS) conformance specification
[19]	GCF-CC V3.23.1	Global Certification Forum - Certification Criteria

[20]	2002/95/EC	Directive of the European Parliament and of the Council of 27 January 2003 on the restriction of the use of certain hazardous substances in electrical and electronic equipment (RoHS)
[21]	Module secondary-SMT-UGD-V1.xx	Module secondary SMT Guidelines
[22]	SIM7X00 Series_UART_Application Note_V1.xx	SIM7X00 Series_UART_Application Note
[23]	SIM7X00 Series_USBAUDIO_Application Note_V1.xx	SIM7X00 Series_USBAUDIO_Application Note
[24]	Antenna design guidelines for diversity receiver system	Antenna design guidelines for diversity receiver system
[25]	SIM7X00 Series_Sleep Mode_Application Note_V1.xx	SIM7X00 Series_Sleep Mode_Application Note

SIMCom
Confidential

8.4 Terms and Abbreviations







Table 44: Terms and Abbreviations

Abbreviation	Description
ADC	Analog-to-Digital Converter
ARP	Antenna Reference Point
BER	Bit Error Rate
BTS	Base Transceiver Station
CS	Coding Scheme
CSD	Circuit Switched Data
CTS	Clear to Send
DAC	Digital-to-Analog Converter
DRX	Discontinuous Reception
DSP	Digital Signal Processor
DTE	Data Terminal Equipment (typically computer, terminal, printer)
DTR	Data Terminal Ready
DTX	Discontinuous Transmission
EFR	Enhanced Full Rate
EGSM	Enhanced GSM
EMC	Electromagnetic Compatibility
ESD	Electrostatic Discharge
ETS	European Telecommunication Standard
EVDO	Evolution Data Only
FCC	Federal Communications Commission (U.S.)
FD	SIM fix dialing phonebook
FDMA	Frequency Division Multiple Access
FR	Full Rate
GMSK	Gaussian Minimum Shift Keying
GPRS	General Packet Radio Service
GSM	Global Standard for Mobile Communications
GNSS	Global Navigation Satellite System
HR	Half Rate
HSPA	High Speed Packet Access
I2C	Inter-Integrated Circuit
IMEI	International Mobile Equipment Identity
LTE	Long Term Evolution
MO	Mobile Originated
MS	Mobile Station (GSM engine), also referred to as TE

MT	Mobile Terminated
PAP	Password Authentication Protocol
PBCCH	Packet Switched Broadcast Control Channel
PCB	Printed Circuit Board
PCS	Personal Communication System, also referred to as GSM 1900
RF	Radio Frequency
RMS	Root Mean Square (value)
RTC	Real Time Clock
SIM	Subscriber Identification Module
SMS	Short Message Service
SPI	serial peripheral interface
SMPS	Switched-mode power supply
TDMA	Time Division Multiple Access
TE	Terminal Equipment, also referred to as DTE
TX	Transmit Direction
UART	Universal Asynchronous Receiver & Transmitter
VSWR	Voltage Standing Wave Ratio
SM	SIM phonebook
NC	Not connect
EDGE	Enhanced data rates for GSM evolution
HSDPA	High Speed Downlink Packet Access
HSUPA	High Speed Uplink Packet Access
ZIF	Zero intermediate frequency
WCDMA	Wideband Code Division Multiple Access
VCTCXO	Voltage control temperature-compensated crystal oscillator
SIM	Universal subscriber identity module
UMTS	Universal mobile telecommunications system
UART	Universal asynchronous receiver transmitter

8.5 Safety Caution

Table 45: Safety Caution

Marks	Requirements
	<p>When in a hospital or other health care facility, observe the restrictions about the use of mobiles. Switch the cellular terminal or mobile off, medical equipment may be sensitive and not operate normally due to RF energy interference.</p>
	<p>Switch off the cellular terminal or mobile before boarding an aircraft. Make sure it is switched off. The operation of wireless appliances in an aircraft is forbidden to prevent interference with communication systems. Forgetting to think much of these instructions may impact the flight safety, or offend local legal action, or both.</p>
	<p>Do not operate the cellular terminal or mobile in the presence of flammable gases or fumes. Switch off the cellular terminal when you are near petrol stations, fuel depots, chemical plants or where blasting operations are in progress. Operation of any electrical equipment in potentially explosive atmospheres can constitute a safety hazard.</p>
	<p>Your cellular terminal or mobile receives and transmits radio frequency energy while switched on. RF interference can occur if it is used close to TV sets, radios, computers or other electric equipment.</p>
	<p>Road safety comes first! Do not use a hand-held cellular terminal or mobile when driving a vehicle, unless it is securely mounted in a holder for hands free operation. Before making a call with a hand-held terminal or mobile, park the vehicle.</p>
	<p>GSM cellular terminals or mobiles operate over radio frequency signals and cellular networks and cannot be guaranteed to connect in all conditions, especially with a mobile fee or an invalid SIM card. While you are in this condition and need emergent help, please remember to use emergency calls. In order to make or receive calls, the cellular terminal or mobile must be switched on and in a service area with adequate cellular signal strength. Some networks do not allow for emergency call if certain network services or phone features are in use (e.g. lock functions, fixed dialing etc.). You may have to deactivate those features before you can make an emergency call. Also, some networks require that a valid SIM card be properly inserted in the cellular terminal or mobile.</p>