

Oasis 50-inch Shower Compartment With ActivLife (HUD/FHA Fair Housing Act Design Manual) Reinforcement Package



Specification – Oasis one-piece FRP gelcoat shower compartment SH-5038, offered in a standard 3-inch or 5-inch (ABF) dam configuration. ActivLife package includes a factory-applied reinforcement only package, in compliance with HUD/FHA Fair Housing Act Design Manual, shall include back wall and both side wall reinforcement, for horizontal bar application.

Standards Certification:

The shower compartment listed is manufactured in compliance with ANSI Z124 Standards, and certified through an ongoing, independent quality assurance and testing program.

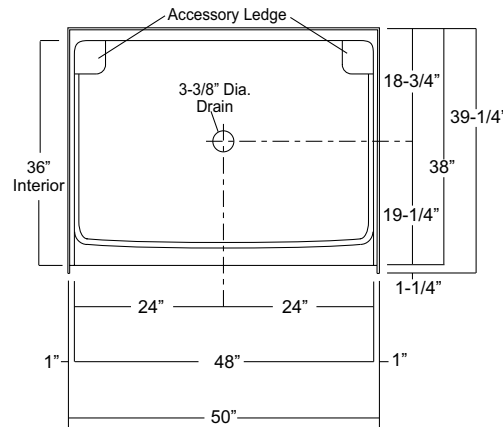
50-inch / Private Access / Reinforced Only



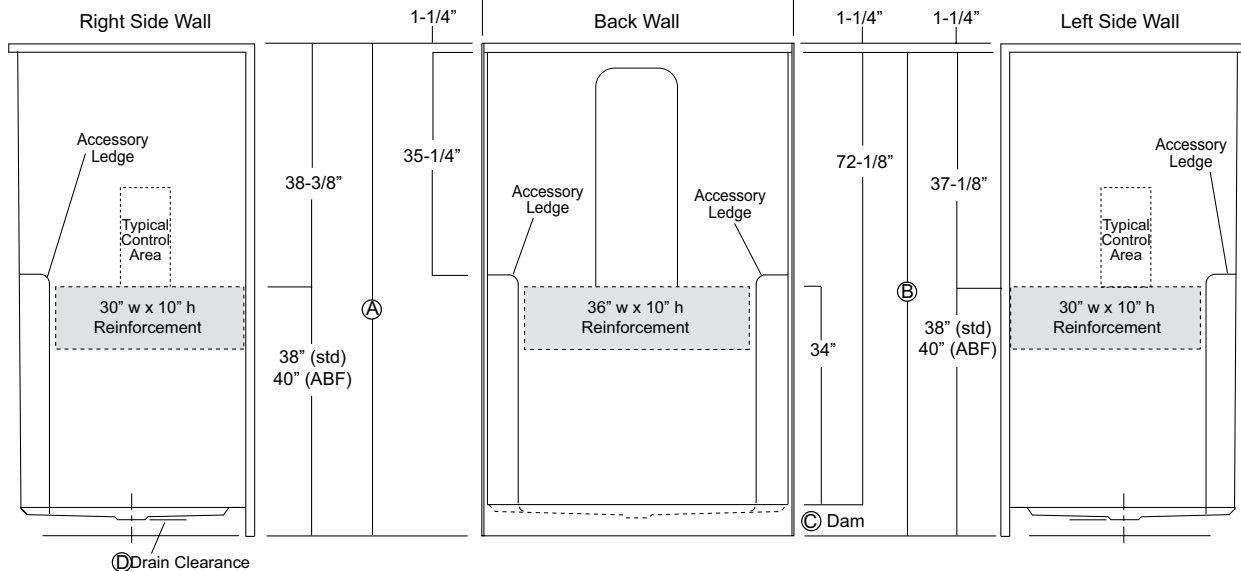
SH-5038 / FH
(Fair Housing reinforced)
Model & Package Illustrated



	Std Unit	ABF Unit
A	76-3/8"	78-3/8"
B	75-1/8"	77-1/8"
C	3"	5"
D	1"	3"
E	-	-
F	-	-



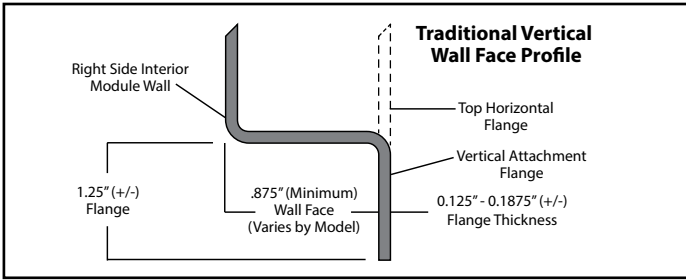
Enclosure Size:
48"w (max) x 72-1/8"h (max)



Dimensions shown are maximum. Due to the nature of the materials involved, actual unit dimensions can vary (tolerances: + / - 1/8 inch). Oasis reserves the right to modify or discontinue product and/or associated equipment without prior written or verbal notification or obligation.

Model ID	Package Code	Description
----------	--------------	-------------

SH-5038 (Std or ABF)	/ FH	50" x 38", center drain shower with 3" (std) or 5" (ABF) dam, and ActivLife 3-wall bar reinforcement only package for horizontal bar application.
----------------------	------	---



Available Factory Installed Packages (model available without any component or reinforcement packages)

Component Packages:

- 1. TLV package code: 2-wall, 3-bar package with phenolic folding RH or LH seat
- 2. TL package code: 2-wall, 2-bar package with phenolic folding RH or LH seat
- 3. BP2 package code: 2-wall, 3-bar package
- 4. BP1 package code: 2-wall, 2-bar package
- 5. BP3 package code: 3-wall, 3-bar package
- 6. BP5 package code: 1-wall, 1-bar package

Reinforced ONLY Packages:

- 7. FH package code: reinforcement for horizontal bars, based on HUD/FHA-Fair Housing
- 8. 3SM & 3SF package codes: expanded reinforcement packages, (with or without package components)