

# CLSI-C6M

## iLux™ Integrated Lighting System w/Motion Detector - International Version

The iLux CLSI-C6M is a complete, integrated lighting system designed for wall mount installation in boardrooms, auditoriums, home theaters, or anywhere versatile and cost-effective control of lighting and shades is required. Crestron's reputation for innovation and reliability, combined with high-quality integrated dimming, native shade control, configurable rocker buttons, extensive integration ability and many other advanced features make iLux the ideal choice for all types of room lighting and shade control applications.

### 6 Channel Dimming

The CLSI-C6M features six channels of dimming for LED\*, incandescent, magnetic low-voltage, neon/cold cathode, and 2-wire dimmable fluorescent loads. On/off switching of many non-dimmable lighting loads is also possible. Each channel will handle up to 800 watts individually, with a total rating of up to 2400 watts for the complete unit. Larger loads and additional load types can also be supported using Crestron CLS-EXP Series expansion modules.

### 6 Group Shade Control

Using Crestron's networked Shade and Drape Controllers, the CLSI-C6M enables versatile control of a roomful of motorized window treatments, screens and lifts in up to 6 shade groups.

### Versatile Front Panel Controls

The deceptively clean front panel actually affords an extensive amount of control and customization to suit each unique room application. Large ON and OFF buttons provide instant access to the "On" and "All Off" scenes, while the six main buttons can be set up to recall additional scene presets, adjust shades, or perform a host of other functions. The buttons' "rocker" action enables intuitive, tactile control for adjusting lighting levels and shade positions. An additional "Up/Down" button is configurable for a variety of functions, including use as a master lighting or shade control, or as a "shift" button to expand the capabilities of the six main buttons.

With each new scene selection, window shades reposition and lights fade elegantly to their new settings. The selected scene is indicated by a white LED beside each button, and the customizable label strip allows each button to be clearly labeled using Crestron Engraver software or standard 3/8" tape labels. Dimming levels and shade positions are displayed graphically on 6 green LED bargraphs accessible behind the flip-up front cover. Additional controls and a numeric display hidden beneath the cover enable setup without requiring a PC. Enhanced customization is provided via the PC programming port using iLux Designer software.

### Built-in Motion Detector

The CLSI-C6M features a built-in infrared motion detector, enabling automated control based on room occupancy. Lights can be programmed to turn on and shades open automatically when someone enters the room, or turn off and close when the room is left empty.

### Multipoint Keypad Control

Up to 16 Crestron keypads may be connected to a single CLSI-C6M, providing versatile multipoint control for rooms with multiple entrances or work areas.

### Multi-Unit Expansion

One CLSI-C6M master will support up to 8 additional CLSI-C6 or CLSI-C6M units, enabling systems of up to 54 lighting zones and 54



shade groups. Commands for typical functions like scene recall, scene off, master dimming, and occupancy status are shared between the CLSI-C6(M) units. Each individual unit can still support a complete assortment of local devices including keypads and shade controllers.

### Control System Integration

The CLSI-C6M features two separate Cresnet® control networks, one for local devices and one for connection to a 2-Series control system. Connecting the CLSI-C6M to a control system allows its functions to be controlled from touchpanels, RF wireless remotes, and even computers. The control system interface also enables extensive flexibility for integration with other systems such as security, HVAC and energy management, plus remote monitoring via SNMP and Crestron RoomView® applications.

For a solution using Crestron's infiNET wireless technology instead of Cresnet, see the CLSI-C6MRF.

\* For a list of compatible ballasts, visit [www.crestron.com/lightingcompatibility](http://www.crestron.com/lightingcompatibility) (PDF)

> *Wall mount integrated lighting and shade control*

> *6 channels of dimming or switching*

> *6 groups of shade and drape control*

> *Linkable for up to 54 lighting channels and 54 shade groups*

> *Up to 16 user-settable scenes*

> *7 configurable "rocker" buttons with customizable label strip*

> *Large ON and OFF buttons*

> *Flip-up front cover reveals setup controls and programming port*

> *6 bargraphs show lighting levels and shade positions*

> *Easy setup from front panel or iLux Designer software*

# CLSI-C6M

- > Built-in motion detector
- > Supports multipoint control using up to 16 keypads
- > Optional IR remote
- > Master air-gap relay
- > Integrates with 2-Series Control Systems via Cresnet
- > Energy saving ASHRAE 90.1/LEEDS compliant
- > Available in almond, black, or white

## SPECIFICATIONS

### Load Ratings

Dimmer Channels: 6

**Maximum Per Channel:** 800 Watts/VA (3.5 Amps @ 230 Volts AC)

**Minimum Per Channel :** 25 Watts/VA (0.108 Amps @ 230 Volts AC)

**Module Total:** 2200 Watts/VA (10 Amps @ 220 Volts AC);

2300 Watts/VA (10 Amps @ 230 Volts AC);

2400 Watts/VA (10 Amps @ 240 Volts AC)

**Load Types:** LED\*, Incandescent, Magnetic Low-voltage, Neon/Cold Cathode, 2-Wire Dimmable Fluorescent, & Non-Dim Lighting (also: Electronic Low-voltage, 3 and 4-Wire Fluorescent, High-Inrush Switching, & 277V via CLS-EXP Series expansion modules)

### Power Requirements

220 to 240 Volts AC, 50/60Hz line power

### Connections

**LOCAL DEVICES:** (1) 4-pin 5mm detachable terminal block;

Cresnet Master port for local devices including:

- C2N-DB and CNX-B Series keypads, 16 maximum;
- C2N-SSC-2 and C2N-SDC-DC shade controllers; 16 maximum;
- Additional CLSI-C6M or CLSI-C6 units, 8 maximum;

Additional CNPWSI-75 or other Cresnet power supply required beyond 4 devices; C2N-SDC-DC always requires an additional power supply

**CONTROL SYSTEM:** (1) 4-pin 5mm detachable terminal block;

Cresnet Slave port for connection to a 2-Series control system

**HOT:** (1) Captive screw terminal†, line power input

**LOAD1 - LOAD6:** (6) Captive screw terminals†, dimmer channel outputs 1 - 6

**NEUTRAL:** (1) Captive screw terminal†

**GROUND:** (1) Captive screw terminal†

**PC (front):** (1) 3.5mm TRS mini-phone jack, RS-232 Programming port

### Controls

**Buttons 1 - 6:** (6) 3-position rocker pushbuttons; configurable to recall (or toggle recall/off) individual scenes, control shades, or for master lighting or shade control; “scene mastering” option enables manual dimming utilizing rocker button action; also used to adjust lighting levels when in “Lighting” mode and shade positions when in “Shades” mode; additional functionality configurable via software

**Up/Down Button:** (1) 3-position rocker pushbutton; configurable for master lighting or shade control, or as a “shift” for Buttons 1-6; additional functionality configurable via software

**ON:** (1) pushbutton, recalls “On” scene

**OFF:** (1) pushbutton, turns all lights off

**LIGHTS, SHADES:** (2) Pushbuttons, select “Lights” or “Shades” modes

**SAVE, CANCEL, UP, DOWN:** (4) Pushbuttons, navigate and execute setup functions

**Reset:** Recessed miniature pushbutton for hardware reset

**Dimming Ramp Rate:** 5 seconds (default), software adjustable 1 to 10 seconds

**Scene Fade Time:** 2 seconds (default), software adjustable 0 seconds to 99 minutes

### LED Indicators

**Scenes:** (6-white) Correspond with each “Scene” Button

**High/Low:** (2-white) Indicate “Shift” status

**ON:** (1-white) Indicates “On” Scene is selected

**LIGHTS, SHADES:** (2-green) Indicates “Lights” or “Shades” mode is active

**SAVE, CANCEL:** (2-green) Correspond with “Save” and “Cancel” Buttons

**MIN, SEC:** (2-green) Indicates display of “Minutes” or “Seconds”

**1 - 6:** (6-green) 7-Segment bargraphs, indicate lighting levels and shade positions

**Numeric Display:** (2-green) 8-Segment digits, indicates modes and setup values

### IR Receiver

**Reception Frequency:** 36 kHz

Requires CLS-IRHT8 IR remote, sold separately

### Motion Detector

**Type:** Infrared

**Range:** 20 to 30 feet at 4 foot elevation

### Environmental

**Temperature:** 32° to 104°F (0° to 40°C)

**Humidity:** 10% to 90% RH (non-condensing)

### Enclosure

Mounts in a 4-gang electrical box, 3-1/2" deep minimum

### Dimensions

**Height:** 4.48 in (11.38 cm)

**Width:** 8.89 in (22.58 cm)

**Depth:** 2.60 in (6.61 cm)

### Weight

1.43 lb (0.65 kg)

\* For a list of compatible ballasts, visit [www.crestron.com/lightingcompatibility](http://www.crestron.com/lightingcompatibility) (PDF)

† Captive screw terminals accept up to two 22 to 12 AWG (0.34 to 4.0 mm<sup>2</sup>) wires per terminal.

### Available Models

**CLSI-C6MA:** iLux Integrated Lighting System with motion detector - International Version, 230V, almond

**CLSI-C6MB:** iLux Integrated Lighting System with motion detector - International Version, 230V, black

**CLSI-C6MW:** iLux Integrated Lighting System with motion detector - International Version, 230V, white

### Available Accessories

**CLS-EXP-DIM:** iLux™ Dimmer Expansion Module

**CLS-EXP-DIMFDB:** iLux™ 3-Wire Fluorescent Dimmer Expansion Module

**CLS-EXP-DIMFLV:** iLux™ 0-10V Fluorescent Dimmer Expansion Module

**CLS-EXP-DIMU:** iLux™ Universal Dimmer Expansion Module

**C2N-DB6-W-S:** Decorator Keypad, 6-Buttons, White, Gloss

**C2N-DB6-A-S:** Decorator Keypad, 6-Buttons, Almond, Gloss

**C2N-DB8-W-S:** Decorator Keypad, 8-Buttons, White, Gloss

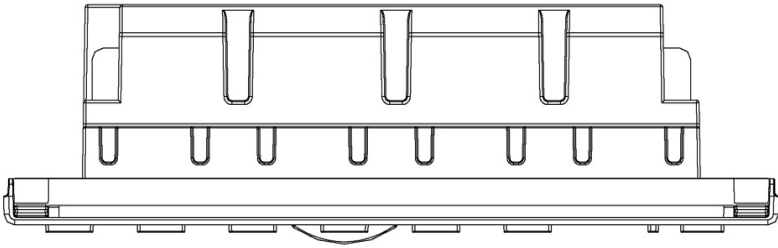
**C2N-DB8-A-S:** Decorator Keypad, 8-Buttons, Almond, Gloss

# CLSI-C6M

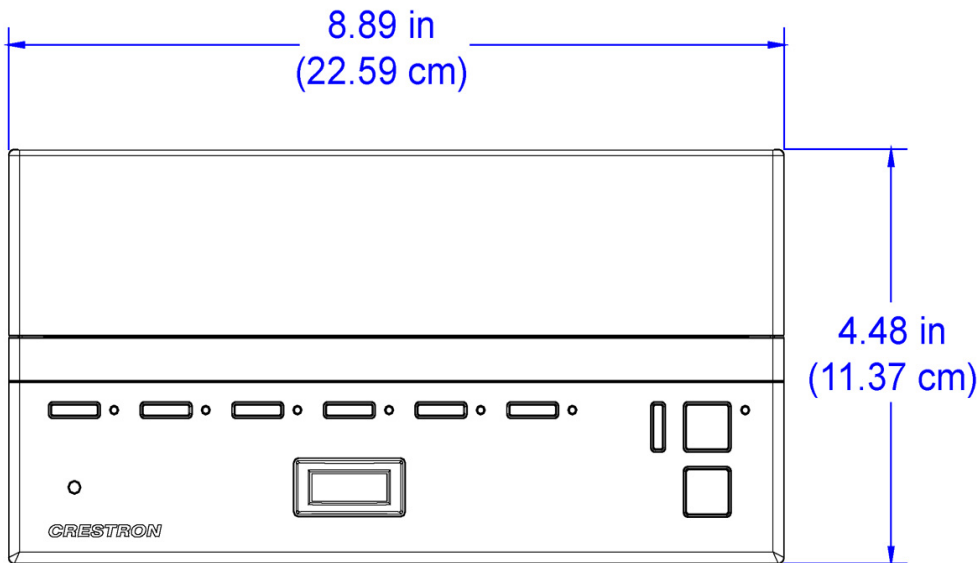
**C2N-DB12-W-S:** Decorator Keypad, 12-Buttons, White, Gloss  
**C2N-DB12-A-S:** Decorator Keypad, 12-Buttons, Almond, Gloss  
**C2N-SDC-DC:** Shade and Drape Controller, 24V DC  
**C2N-SSC-2:** Somfy® Shade Controller  
**CLS-IRHT8:** iLux IR Handheld Remote  
**CNPWSI-75:** Cresnet Power Supply, 75 Watts - International Version, 230V  
**CNX-B2-W-T:** Designer Keypad, 2-Buttons, White, Matte  
**CNX-B2-A-T:** Designer Keypad, 2-Buttons, Almond, Matte  
**CNX-B2-LAT-T:** Designer Keypad, 2-Buttons, Latte, Matte  
**CNX-B2-DSK-T:** Designer Keypad, 2-Buttons, Dusk, Matte  
**CNX-B4-W-T:** Designer Keypad, 4-Buttons, White, Matte  
**CNX-B4-A-T:** Designer Keypad, 4-Buttons, Almond, Matte  
**CNX-B4-LAT-T:** Designer Keypad, 4-Buttons, Latte, Matte  
**CNX-B4-DSK-T:** Designer Keypad, 4-Buttons, Dusk, Matte  
**CNX-B6-W-T:** Designer Keypad, 6-Buttons, White, Matte  
**CNX-B6-A-T:** Designer Keypad, 6-Buttons, Almond, Matte  
**CNX-B6-LAT-T:** Designer Keypad, 6-Buttons, Latte, Matte  
**CNX-B6-DSK-T:** Designer Keypad, 6-Buttons, Dusk, Matte  
**CNX-B8-W-T:** Designer Keypad, 8-Buttons, White, Matte  
**CNX-B8-A-T:** Designer Keypad, 8-Buttons, Almond, Matte  
**CNX-B8-LAT-T:** Designer Keypad, 8-Buttons, Latte, Matte  
**CNX-B8-DSK-T:** Designer Keypad, 8-Buttons, Dusk, Matte  
**CNX-B12-W-T:** Designer Keypad, 12-Buttons, White, Matte  
**CNX-B12-A-T:** Designer Keypad, 12-Buttons, Almond, Matte  
**CNX-B12-LAT-T:** Designer Keypad, 12-Buttons, Latte, Matte  
**CNX-B12-DSK-T:** Designer Keypad, 12-Buttons, Dusk, Matte  
**CRESNET-HP-NP-TL-SP1000:** Cresnet® "High-Power" Control Cable, non-plenum, teal, 1000 ft spool  
**CRESNET-HP-NP-TL-SP500:** Cresnet® "High-Power" Control Cable, non-plenum, teal, 500 ft spool  
**CRESNET-NP-BK-B500:** Cresnet® Control Cable, non-plenum, black, 500 ft box  
**CRESNET-NP-OR-B500:** Cresnet® Control Cable, non-plenum, orange, 500 ft box  
**CRESNET-NP-TL-B250:** Cresnet® Control Cable, non-plenum, teal, 250 ft box  
**CRESNET-NP-TL-B500:** Cresnet® Control Cable, non-plenum, teal, 500 ft box  
**CRESNET-NP-TL-SP1000:** Cresnet® Control Cable, non-plenum, teal, 1000 ft spool  
**CRESNET-NP-TL-SP500:** Cresnet® Control Cable, non-plenum, teal, 500 ft spool  
**CRESNET-NP-YL-B500:** Cresnet® Control Cable, non-plenum, yellow, 500 ft box  
**CRESNET-P-BK-SP500:** Cresnet® Control Cable, plenum, black, 500 ft spool  
**CRESNET-P-OR-SP500:** Cresnet® Control Cable, plenum, orange, 500 ft spool  
**CRESNET-P-TL-SP1000:** Cresnet® Control Cable, plenum, teal, 1000 ft spool  
**CRESNET-P-TL-SP500:** Cresnet® Control Cable, plenum, teal, 500 ft spool  
**CRESNET-P-YL-SP500:** Cresnet® Control Cable, plenum, yellow, 500 ft spool

# CLSI-C6M

## Top



## Front



## Side

