



US00D720633S

(12) **United States Design Patent**
Novotny et al.

(10) **Patent No.:** US D720,633 S

(45) **Date of Patent:** ** Jan. 6, 2015

(54) **THERMOSTAT**

(71) Applicant: **Honeywell International Inc.**,
Morristown, NJ (US)

(72) Inventors: **Josef Novotny**, Kuncina (CZ); **Eugene J. Takach**, Eden Prairie, MN (US); **Matt Goulet**, Bloomington, MN (US); **Arnie Kalla**, Maple Grove, MN (US); **Tomas Losak**, Breclav (CZ)

(73) Assignee: **Honeywell International Inc.**,
Morristown, NJ (US)

(**) Term: **14 Years**

(21) Appl. No.: **29/470,925**

(22) Filed: **Oct. 25, 2013**

(51) **LOC (10) Cl.** **10-04**

(52) **U.S. Cl.**
USPC **D10/50; D10/103**

(58) **Field of Classification Search**

CPC F23N 5/20; F23N 5/203; F23N 5/206; F23N 5/18; F23N 5/184; F23N 5/187; F23N 5/22; F23N 2025/12; F23N 2041/02; F24F 11/00; F24F 11/0012; F24F 11/0009; F24F 11/001; F24F 2011/0057; F24F 2011/0073; F24F 2011/0091
USPC D10/49-50, 103; D13/162; 62/176.6, 62/125-130, 78, 180, 186; 73/23.2, 23.34, 73/31.01, 31.02, 431, 170.16-170.19, 73/170.21-170.25, 863.12, 29.02, 73/335.01-335.14; 220/3.2; 236/46 R, 47, 236/94, 44 C, 44 R, 49.3, 44 A, 96, 1 B, 1 C, 236/1 E, 1 EA, 1 EB, 1 F, 1 G, 1 H, 9 R; 337/112, 327, 360; 340/602, 627, 632, 340/634; 349/56-72; 454/229, 239, 256, 454/257, 258; 700/18, 159, 181, 276, 277, 700/278; 55/279, DIG. 7

See application file for complete search history.

(56) **References Cited**

U.S. PATENT DOCUMENTS

1,654,681 A 1/1928 Daniels
4,079,366 A 3/1978 Wong

(Continued)

FOREIGN PATENT DOCUMENTS

DE 3334117 4/1985
EP 0070414 1/1983

(Continued)

OTHER PUBLICATIONS

“CorAccess Systems/In Home,” <http://web.archive.org/web/20011212084427/www.coraccess.com/home.html>, 1 page, copyright 2001, printed Aug. 19, 2004.

(Continued)

Primary Examiner — Antoine D Davis

(74) *Attorney, Agent, or Firm* — Seager Tufte & Wickham LLC.

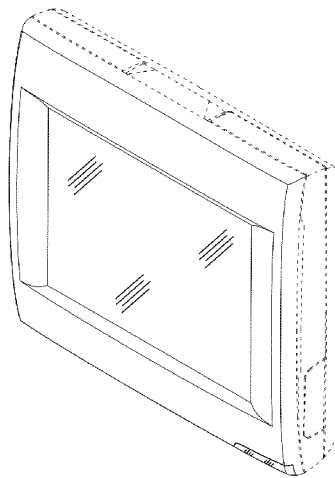
CLAIM

(57) The ornamental design for a faceplate for thermostat, as shown and described.

DESCRIPTION

FIG. 1 is a perspective view of a faceplate for thermostat in accordance with the present invention;
FIG. 2 is a front side view of the faceplate for thermostat of FIG. 1;
FIG. 3 is a right side view of the faceplate for thermostat of FIG. 1;
FIG. 4 is a left side view of the faceplate for thermostat of FIG. 1;
FIG. 5 is a top side view of the faceplate for thermostat of FIG. 1; and
FIG. 6 is a bottom side view of the faceplate for thermostat of FIG. 1.
The portions illustrated in broken lines on the figures are for illustrative purposes only and form no part of the claimed design.

1 Claim, 6 Drawing Sheets



(56)

References Cited

U.S. PATENT DOCUMENTS

4,174,807 A	11/1979	Smith et al.	5,902,183 A	5/1999	D'Souza
4,206,872 A	6/1980	Levine	5,915,473 A	6/1999	Ganesh et al.
4,224,612 A	9/1980	Macey	5,937,942 A	8/1999	Bias et al.
4,224,615 A	9/1980	Penz	5,947,372 A	9/1999	Tiernan
4,264,034 A	4/1981	Hyltin et al.	5,950,709 A	9/1999	Krueger et al.
4,296,334 A	10/1981	Wong et al.	6,009,355 A	12/1999	Obradovich et al.
4,298,946 A	11/1981	Hartsell et al.	D418,762 S	1/2000	Dushane et al.
4,308,991 A	1/1982	Peinetti et al.	6,020,881 A	2/2000	Naughton et al.
4,332,352 A	6/1982	Jaeger	6,032,867 A	3/2000	Dushane et al.
4,337,822 A	7/1982	Hyltin et al.	6,059,195 A	5/2000	Adams et al.
4,337,893 A	7/1982	Flanders et al.	6,081,197 A	6/2000	Garrick et al.
4,373,664 A	2/1983	Barker et al.	6,101,824 A	8/2000	Meyer et al.
4,379,483 A	4/1983	Farley	6,104,963 A	8/2000	Cebasek et al.
4,382,544 A	5/1983	Stewart	6,119,125 A	9/2000	Gloudeman et al.
4,386,649 A	6/1983	Hines et al.	6,121,875 A	9/2000	Hamm et al.
4,388,692 A	6/1983	Jones et al.	6,140,987 A	10/2000	Stein et al.
4,431,134 A	2/1984	Hendricks et al.	6,141,595 A	10/2000	Gloudeman et al.
4,442,972 A	4/1984	Sahay et al.	6,149,065 A	11/2000	White et al.
4,446,913 A	5/1984	Krocker	6,154,681 A	11/2000	Drees et al.
4,479,604 A	10/1984	Didner	6,167,316 A	12/2000	Gloudeman et al.
4,503,471 A	3/1985	Hanajima et al.	6,192,282 B1	2/2001	Smith et al.
4,506,827 A	3/1985	Jamieson et al.	6,196,467 B1	3/2001	Dushane et al.
4,556,169 A	12/1985	Zervos	6,208,331 B1	3/2001	Singh et al.
4,606,401 A	8/1986	Levine et al.	6,216,956 B1	4/2001	Ehlers et al.
4,621,336 A	11/1986	Brown	6,236,326 B1	5/2001	Murphy
4,622,544 A	11/1986	Bially et al.	6,259,074 B1	7/2001	Brunner et al.
4,628,201 A	12/1986	Schmitt	6,285,912 B1	9/2001	Ellison et al.
4,646,964 A	3/1987	Parker et al.	6,290,140 B1	9/2001	Pesko et al.
4,717,333 A	1/1988	Carignan	6,315,211 B1	11/2001	Sartain et al.
4,725,001 A	2/1988	Carney et al.	6,318,639 B1	11/2001	Toth
4,837,731 A	6/1989	Levine et al.	6,330,806 B1	12/2001	Beaverson et al.
4,881,686 A	11/1989	Mehta	6,344,861 B1	2/2002	Naughton et al.
4,918,439 A	4/1990	Wozniak et al.	6,351,693 B1	2/2002	Monie et al.
4,948,040 A	8/1990	Kobayashi et al.	6,398,118 B1	6/2002	Rosen et al.
4,992,779 A	2/1991	Sugino et al.	6,453,687 B2	9/2002	Sharood et al.
4,997,029 A	3/1991	Otsuka et al.	6,466,132 B1	10/2002	Caronna et al.
5,005,365 A	4/1991	Lynch	6,478,233 B1	11/2002	Shah
D316,681 S *	5/1991	Takasuna et al. D10/50	6,502,758 B2	1/2003	Cottrell
5,012,973 A	5/1991	Dick et al.	6,513,723 B1	2/2003	Mueller et al.
5,038,851 A	8/1991	Metha	6,518,953 B1	2/2003	Armstrong
5,053,752 A	10/1991	Epstein et al.	6,518,957 B1	2/2003	Lehtinen et al.
5,065,813 A	11/1991	Berkeley et al.	6,546,419 B1	4/2003	Humpleman et al.
5,086,385 A	2/1992	Launey et al.	6,556,899 B1	4/2003	Harvey et al.
5,088,645 A	2/1992	Bell	6,578,770 B1	6/2003	Rosen
5,140,310 A	8/1992	DeLuca et al.	6,580,950 B1	6/2003	Johnson et al.
5,161,606 A	11/1992	Berkeley et al.	6,581,846 B1	6/2003	Rosen
5,170,935 A	12/1992	Federspiel et al.	6,595,430 B1	7/2003	Shah
5,172,565 A	12/1992	Wruck et al.	6,608,560 B2	8/2003	Abrams
5,181,653 A	1/1993	Foster et al.	6,619,555 B2	9/2003	Rosen
5,187,797 A	2/1993	Nielsen et al.	6,621,507 B1	9/2003	Shah
5,230,482 A	7/1993	Ratz et al.	6,726,112 B1	4/2004	Ho
5,238,184 A	8/1993	Adams	6,786,421 B2	9/2004	Rosen
5,251,813 A	10/1993	Kniepkamp	6,789,739 B2	9/2004	Rosen
5,259,445 A	11/1993	Pratt et al.	6,868,293 B1	3/2005	Schurr et al.
5,292,280 A	3/1994	Janu et al.	D506,687 S	6/2005	Takach et al.
5,329,991 A	7/1994	Metha et al.	D507,757 S	7/2005	Roher et al.
5,348,078 A	9/1994	Dushane et al.	D509,151 S *	9/2005	Takach et al. D10/50
5,386,577 A	1/1995	Zenda	7,000,480 B2	2/2006	Kramer
5,404,934 A	4/1995	Carlson et al.	D518,744 S	4/2006	Rosen
5,414,618 A	5/1995	Mock et al.	D520,386 S	5/2006	Takach et al.
D361,287 S	8/1995	Guy et al.	D520,885 S	5/2006	Takach et al.
5,482,209 A	1/1996	Cochran et al.	7,050,026 B1	5/2006	Rosen
D367,430 S	2/1996	Greenberg et al.	D525,154 S	7/2006	Moore
5,526,422 A	6/1996	Keen	D525,541 S	7/2006	Barton et al.
5,537,106 A	7/1996	Mitcuhashi	D527,658 S	9/2006	Moore
5,566,879 A	10/1996	Longtin	7,114,554 B2	10/2006	Bergman et al.
5,570,837 A	11/1996	Brown et al.	D531,526 S	11/2006	Barton et al.
5,673,850 A	10/1997	Uptegraph	7,152,806 B1	12/2006	Rosen
5,682,206 A	10/1997	Wehmeyer et al.	D535,572 S	1/2007	Takach et al.
5,732,691 A	3/1998	Maiello et al.	D535,573 S	1/2007	Barton et al.
5,782,296 A	7/1998	Metha	7,156,318 B1	1/2007	Rosen
5,818,428 A	10/1998	Eisenbrandt et al.	7,181,317 B2	2/2007	Amundson et al.
5,873,519 A	2/1999	Beilfuss	D541,184 S	4/2007	Barton et al.
5,886,697 A	3/1999	Naughton et al.	D542,677 S	5/2007	Barton et al.
5,901,183 A	5/1999	Garin et al.	7,225,054 B2	5/2007	Amundson et al.
			D551,577 S	9/2007	Barton et al.
			7,274,972 B2	9/2007	Amundson et al.
			D556,061 S	11/2007	Rosen
			7,299,996 B2	11/2007	Garrett et al.

(56)

References Cited

U.S. PATENT DOCUMENTS

D556,608	S	12/2007	Rhodes	
D558,072	S	12/2007	Simon et al.	
D558,073	S	12/2007	Simon et al.	
D561,614	S	2/2008	Rosen	
RE40,190	E *	4/2008	Takach et al.	D10/50
D566,597	S	4/2008	Schneor	
D580,801	S	11/2008	Takach et al.	
D589,822	S	4/2009	Rhodes	
D592,982	S *	5/2009	Burt et al.	D10/50
D595,160	S	6/2009	Fisher et al.	
D596,963	S *	7/2009	Novotny et al.	D10/50
D596,964	S *	7/2009	Wang et al.	D10/50
D610,475	S	2/2010	Beers et al.	
7,706,923	B2	4/2010	Amundson et al.	
D642,894	S	8/2011	Soper et al.	
D643,318	S	8/2011	Morrow	
D646,187	S	10/2011	Edgar	
D648,642	S	11/2011	Wallaert et al.	
8,147,302	B2	4/2012	Desrochers et al.	
D663,224	S	7/2012	Morrow	
D666,927	S *	9/2012	Krumpe et al.	D10/50
D672,666	S	12/2012	Rhodes et al.	
D673,467	S	1/2013	Lee et al.	
D678,084	S	3/2013	Beland et al.	
D679,205	S	4/2013	Eyring et al.	
D688,955	S *	9/2013	Deligiannis et al.	D10/50
2001/0029585	A1	10/2001	Simon et al.	
2001/0042684	A1	11/2001	Essalik et al.	
2001/0052459	A1	12/2001	Essalik et al.	
2002/0005435	A1	1/2002	Cottrell	
2002/0011923	A1	1/2002	Cunningham et al.	
2002/0022991	A1	2/2002	Sharood et al.	
2002/0060701	A1	5/2002	Naughton et al.	
2002/0092779	A1	7/2002	Essalik et al.	
2002/0096572	A1	7/2002	Chene et al.	
2002/0138184	A1	9/2002	Kipersztok et al.	
2002/0173929	A1	11/2002	Seigel	
2003/0000692	A1	1/2003	Okano et al.	
2003/0014179	A1	1/2003	Szukala et al.	
2003/0033156	A1	2/2003	McCall	
2003/0033230	A1	2/2003	McCall	
2003/0034897	A1	2/2003	Shamoon et al.	
2003/0034898	A1	2/2003	Shamoon et al.	
2003/0074489	A1	4/2003	Steger et al.	
2003/0121652	A1	7/2003	Carey et al.	
2003/0123224	A1	7/2003	LaCroix et al.	
2003/0136135	A1	7/2003	Kim et al.	
2003/0142121	A1	7/2003	Rosen	
2003/0150926	A1	8/2003	Rosen	
2003/0150927	A1	8/2003	Rosen	
2003/0177012	A1	9/2003	Drennen	
2004/0074978	A1	4/2004	Rosen	
2004/0193324	A1	9/2004	Hoog et al.	
2004/0245352	A1	12/2004	Smith	
2004/0262410	A1	12/2004	Hull	
2005/0119766	A1	6/2005	Amundson et al.	
2013/0260668	A1	10/2013	Stakutis et al.	

FOREIGN PATENT DOCUMENTS

EP	0434926	8/1995
EP	0678204	3/2000
EP	0985994	3/2000
EP	1033641	9/2000
EP	1074009	7/2001
FR	2711230	4/1995
WO	WO 97/11448	3/1997
WO	WO 97/39392	10/1997
WO	WO 00/43870	7/2000
WO	WO 01/52515	7/2001
WO	WO 01/79952	10/2001

OTHER PUBLICATIONS

"HAI Company Background," http://www.homeauto.com/AboutHAI/abouthai_main.htm, 2 pages, printed Aug. 19, 2004.

"High-tech options take hold in new homes—200-08-28—Dallas Business Journal," <http://bizjournals.com/dallas/stories/2000/08/28/focus4>, 3 pages, dated Aug. 28, 2000, printed Aug. 19, 2004.

"Home Toys Review—TouchLinc", <http://www.hometoys.com/htinews/aug99/reviews/touchlinc/touchlinc.htm>, 3 pages, dated Aug. 1999, printed Aug. 20, 2004.

"HTI News Release," <http://www.hometoys.com/htinews/apr99/releases/hal01.htm>, 3 pages, Apr. 1999.

"Mark of Excellence Award Finalist Announced," <http://64.233.167.104/search?Q=cache:ciOA2YtYaBIJ:www.hometoys.com/releases/mar...>, 6 pages, Leopard Touchscreen on p. 2, dated prior to Mar. 4, 2000, printed Aug. 20, 2004.

"Product Review—Philips Pronto Remote Control," http://hometheaterhifi.com/volume_6_2/philipsprontoremotecontrol.html, 5 pages, dated May 1999, printed Aug. 20, 2004.

"RC X10 Automation Forum: Control your Heating and Cooling System with Pronto (1/1)," <http://www.remotecentral.com/cgi-bin/mboard/rc-x10/thread.cgi?12>, 2 pages, dated Apr. 23, 1999, printed Aug. 20, 2004.

"Spotlight on integrated systems," Custom Builder, V8, N2, p. 66(6), Mar.-Apr. 1993.

"Vantage Expands Controls for Audio/Video, HVAC and Security," <http://www.hometoys.com/htinews/aug99/releases/vantage03.htm>, 2 pages, dated Aug. 3, 1999, printed Aug. 20, 2004.

ADI, "Leopard User Manual," 93 pages, 2001.

Adicon 2500, "The Automator," 4 pages, Oct.-Dec. 2000.

ADT Security Services, "iCenter Advanced User Interface 8142ADT," Installation and Setup Guide, 4 pages, May 2001; First Sale Feb. 2001.

Aprilaire Electronic Thermostats Models 8344, 8346, 8348, 8363, 8365, 8366 Operating Instructions, 8 pages, 2003.

Aube Technologies, Electronic Thermostat for Heating System Model TH135-01, 5 pages, Aug. 14, 2001.

Aube Technologies, TH140-28 Electronic Programmable Thermostat, Installation Instructions and User Guide, pp. 1-4, Jan. 22, 2004.

AutomatedBuildings.com Article—"Thin Client" Solutions, "Pressure, Air Flow, Temperature, Humidity & Valves," Dwyer Instruments, Inc., 5 pages, printed Sep. 20, 2004.

Blake et al., "Seng 310 Final Project Demo Program" Illustration, 3 pages, Apr. 6, 2001.

Blake et al., "Seng 310 Final Project" Report, dated Apr. 6, 2001.

Blister Pack Insert from a Ritetemp 8082 Touch Screen Thermostat Product, 2 pages, 2002.

Braeburn Model 3000 Owner's Manual, pp. 1-13, 2001.

Braeburn Model 5000 Owners Manual, pp. 1-17, 2001.

BRK Electronics Maximum Protection Plus Ultimate Convenience Smoke Alarm, 24 pages, Sep. 2000.

BRK First Alert, User's Manual, Smoke and Fire Alarms, pp. 1-7, Nov. 2002.

Business Wire, "MicroTouch Specialty Products Group to Capitalize on Growing Market for Low-Cost Digital Matrix Touchscreens," p1174 (2 pages), Jan. 6, 1999.

Cardio Manual, available at <http://www.secant.ca/En/Documentation/Cardio2e-Manual.pdf>, Cardio Home Automation Inc., 55 pages, printed Sep. 28, 2004.

Cardio, by Secant; <http://www.hometoys.com/htinews/apr98/reviews/cardio.htm>, "HTINews Review," Feb. 1998, 5 pages, printed Sep. 14, 2004.

Carrier Microelectronic Programmable Thermostat Owner's Manual, pp. 1-24, May 1994.

Carrier TSTATCCRF01 Programmable Digital Thermostat, pp. 1-21, prior to Apr. 21, 2005.

Carrier, "Programmable Dual Fuel Thermostats," Installation, Start-Up & Operating Instructions, pp. 1-12, Oct. 1998.

Carrier, "Programmable Thermostats," Installation, Start-Up & Operating Instructions, pp. 1-16, Sep. 1998.

Carrier, "Standard Programmable Thermostat," Homeowner's Manual, pp. 1-8 pages, 1998.

Carrier, "Thermidistat Control," Installation, Start-Up, and Operating Instructions, pp. 1-12, Aug. 1999.

(56)

References Cited

OTHER PUBLICATIONS

- Climatouch, "Presenting Climatouch The Most Innovative Thermostat in the World," 2 pages, prior to Jan. 24, 2008.
- Climatouch, User Manual, Climatouch CT03TSB Thermostat, Climatouch CT03TSHB Thermostat with Humidity Control, Outdoor UHF Temperature Transmitter 217S31, 19 pages, Printed Sep. 15, 2004.
- Design U.S. Appl. No. 29/224,347, filed Feb. 28, 2005.
- CorAccess, "Companion 6," User Guide, pp. 1-20, Jun. 17, 2002.
- Danfoss RT51/51RF & RT52/52RF User Instructions, 2 pages, Jun. 2004.
- DeKoven et al., "Designing Collaboration in Consumer Products," 2 pages, 2001.
- DeKoven et al., "Measuring Task Models in Designing Intelligent Products," 2 pages, Jan. 13-16, 2002.
- Domotique Secant Home Automation—Web Page, available at <http://www.secant.ca/En/Company/Default.asp>, 1 page, printed Sep. 28, 2004.
- Firex Smoke Alarm, Ionization Models AD, ADC Photoelectric Model Pad, 4 pages, prior to Apr. 21, 2005.
- Freudenthal et al., "Communicating extensive smart home functionality to users of all ages: the design of a mixed-initiative multimodal thermostat-interface," pp. 34-39, Mar. 12-13, 2001.
- Gentex Corporation, HD135, 135° Fixed Temperature Heat Detector AC Pwered, 120V, 60Hz With Battery Backup, Installation Instructions—Owner's Information, pp. 1-5, Jun. 1, 1998.
- Gentex Corporation, 9000 Series, Photoelectric Type Single Station/Multi-Station Smoke Alarms AC Powered With Battery Backup, Installation Instructions—Owner's Information, pp. 9-1 to 9-6, Jan. 1, 1993.
- Honeywell Bravis Deluxe Programmable Thermostat, pp. 1-20, 2002.
- Honeywell Bravis T8602C Chronotherm IV Deluxe Programmable Thermostats, Installation Instructions, pp. 1-12, 2002.
- Honeywell CT8602C Professional Fuel Saver Thermostat, pp. 1-6, 1995.
- Honeywell Electronic Programmable Thermostat, Owner's Guide, pp. 1-20, 2003.
- Honeywell Electronic Programmable Thermostats, Installation Instructions, pp. 1-8, 2003.
- Honeywell News Release, "Honeywell's New Sysnet Facilities Integration System for Boiler Plant and Combustion Safety Processes," 4 pages, Dec. 15, 1995.
- Honeywell T8002 Programmable Thermostat, Installation Instructions, pp. 1-8, 2002.
- Honeywell T8602A,B,C,D and TS8602A,C Chronotherm III Fuel Saver Thermostats, Installation Instructions, pp. 1-12, 1995.
- Honeywell T8602D Chronotherm IV Deluxe Programmable Thermostats, Installation Instructions, pp. 1-12, 2002.
- Honeywell TH8000 Series Programmable Thermostats, Owner's Guide, pp. 1-44, 2004.
- Honeywell, "Excel Building Supervisor-Integrated R7044 and FS90 Ver. 2.0," Operator Manual, 70 pages, Apr. 1995.
- Honeywell, "FocusPro TH6110D/TH6220D Programmable Thermostat," prior to Jan. 24, 2008.
- Honeywell, "Introduction of the S7350A Honeywell WebPAD Information Appliance," Home and Building Control Bulletin, 2 pages, Aug. 29, 2000; Picture of WebPad Device with touch screen, 1 Page; and screen shots of WebPad Device, 4 pages.
- Honeywell, "W7006A Home Controller Gateway User Guide," 31 pages, Jul. 2001.
- Honeywell, MagicStat® CT3200 Programmable Thermostat, Installation and Programming Instructions, pp. 1-24, 2001.
- http://www.cc.gatech.edu/computing/classes/cs6751_94_fall/groupe/climate-2/node1.html, "Contents," 53 pages, printed Sep. 20, 2004.
- http://www.ritetemp.info/rtMenu_13.html, Rite Temp 8082, 6 pages, printed Jun. 20, 2003.
- <http://www.thermostatsales.com>, Robertshaw, "9610 Digital Programmable Thermostat," 3 pages, printed Jun. 17, 2004.
- <http://www.thermostatsales.com>, Robertshaw, "9700 Deluxe Programmable Thermostat" 3 pages, printed Jun. 17, 2004.
- <http://www.thermostatsales.com>, Robertshaw, "9710 Deluxe Programmable Thermostat," 3 pages, printed Jun. 17, 2004.
- <http://www.thermostatsales.com>, Robertshaw, "9720 Deluxe Programmable Thermostat," 3 pages, printed Jun. 17, 2004.
- <https://web.archive.org/web/20050204082831/http://aed.net/climatouch>, "Climatouch C3," 1 page, printed May 13, 2014.
- <https://web.archive.org/web/20120306174806/http://www.airadvice.com/products/buildingadvice/elite/how/>, "How Building Advice Works," 2 pages, printed May 13, 2014.
- <https://web.archive.org/web/20120514043035/http://www.aircuity.com/technology/optinet-overview/>, "OptiNet System Overview," 1 page, printed May 13, 2014.
- <https://web.archive.org/web/20120514043035/http://www.aircuity.com/technology/optinet-components/>, "OptiNet Components," 2 pages, printed May 13, 2014.
- <https://web.archive.org/web/20120514043620/http://www.aircuity.com/technology/optinet-overview/>, "OptiNet System Operation," 1 page, printed May 13, 2014.
- <https://web.archive.org/web/20120514043955/http://www.aircuity.com/technology/optinet-applications/>, "OptiNet Applications," 1 page, printed May 13, 2014.
- Hunter, "44200/44250," Owner's Manual, 32 pages, prior to Jul. 7, 2004.
- Hunter, "44300/44350," Owner's Manual, 35 pages, prior to Jul. 7, 2004.
- Hunter, "Auto Saver 550", Owner's Manual Model 44550, 44 pages, prior to Jul. 7, 2004.
- Install Guide for Ritetemp Thermostat 8082, 6 pages, 2002.
- Invensys™, "9700i 9701i 9715i 9720i Deluxe Programmable Thermostats," User's Manual, 21 pages, prior to Jul. 7, 2004.
- Lennox, "Network Control Panel (NCP)," User's Manual, 18 pages, Nov. 1999.
- Lux "9000RF Remote Series," 9000RF Remote Instructions, 2 pages, prior to Jan. 24, 2008.
- Lux ELV1 Programmable Line Voltage Thermostat, Installation Instructions, 3 pages, prior to Jul. 7, 2004.
- Lux TX500 Series Smart Temp Electronic Thermostat, 3 pages, prior to Jul. 7, 2004.
- Lux TX9000 Installation, 3 pages, prior to Apr. 21, 2005.
- Lux, "511 Series Smart Temp Electronic Thermostat," Owner's Manual, 3 pages, prior to Jul. 7, 2004.
- Lux, "600 Series Smart Temp Electronic Thermostat," Owner's Manual, 3 pages, prior to Jul. 7, 2004.
- Lux, "602 Series Multi-Stage Programmable Thermostat," Owner's Manual, 2 pages, prior to Jul. 7, 2004.
- Lux, "605/2110 Series Programmable Heat Pump Thermostat," Owner's Manual, 3 pages, prior to Jul. 7, 2004.
- Lux, "700/9000 Series Smart Temp Electronic Thermostat," Owner's Manual, 3 pages, prior to Jul. 7, 2004.
- Lux, "PSPH521 Series Programmable Heat Pump Thermostat," Owner's Manual, 3 pages, prior to Jul. 7, 2004.
- Lux, "TX1500 Series Smart Temp Electronic Thermostat," Owner's Manual, 6 pages, prior to Jul. 7, 2004.
- Metasys, "HVAC PRO for Windows User's Manual," 308 pages, 1998.
- Mounting Template for Ritetemp Thermostat 8082, 1 page, 2002.
- Operation Manual for Ritetemp Touch Screen Thermostat 8082, 8 pages, 2002.
- Phoenix Controls, "Programmable Control Module: LonMark," MKT-0244 MPC-1647, 10 pages, 2009, revised Aug. 2011.
- Phoenix Controls, "Theris Family of Valves: LonMark Certified," Theris®, MKT-0118 MPC-1572, 18 pages, 2009, revised May 2011.
- Phoenix Controls, "Tracel Family of Valves:BACnet® MS/TP," Tracel®, MKT-0242 MPC-1661, 29 pages, 2009, revised Sep. 2011.
- Proliphix, "NT10e & NT20e Configuration guide," 54 pages, prior to Jan. 24, 2008.
- Proliphix, "Web Enabled IP Thermostats, Intelligent HVAC Control," Proliphix Inc., 2 pages, on or before Aug. 28, 2004.
- Proliphix, "Web Enabled Ip Thermostats, Ultimate in Energy Efficiency!," Proliphix Inc., 2 pages, on or before Aug. 28, 2004.

(56)

References Cited

OTHER PUBLICATIONS

- Proliphix, Inc., "NT10e & NT20e," 54 pages, on or before Aug. 30, 2005.
- Quick Start Guide for Ritetemp Thermostat 8082, 1 page, 2002.
- Remote Control Power Requirement for Ritetemp Thermostat 8082, 1 page, 2002.
- Ritetemp Operation 8029, 3 pages, Jun. 19, 2002.
- Ritetemp Operation 8050, 5 pages, Jun. 26, 2002.
- Ritetemp Operation 8085, pp. 1-6, prior to Apr. 21, 2005.
- Sealed Unit Parts Co., Inc., Supco & CTC Thermostats . . . loaded with features, designed for value!, 6 pages, prior to Apr. 21, 2005.
- Totaline Model P474-1035 Owner's Manual Programmable 5-2 Day Digital Thermostat, pp. 1-21, Apr. 2003.
- Totaline Star CPE230RF, Commercial Programmable Thermostat Wireless Transmitter, Owner's Manual, pp. 1-16, Oct. 1998.
- Totaline Star P/N P474-0130 Non-Programmable Digital Thermostat Owner's Manual, pp. 1-22, prior to Apr. 21, 2005.
- Totaline, "1 for All Programmable Digital Thermostat," Owner's Manual P/N P374-1100FM, 23 pages, Nov. 1998.
- Totaline, "1 For All Programmable Digital Thermostat," Owner's Manual P/N P474-1050, 21 pages, Nov. 1998.
- Totaline, "1 For All Programmable Digital Thermostat," Owner's Manual P/N P374-1100, 24 pages, Apr. 2001.
- Totaline, "Intellistat Combination Temperature and Humidity Control," Owner's Manual P/N P374-1600, 25 pages, Jun. 2001.
- Totaline, "Programmable Thermostat Configurable for Advanced Heat Pump or Dual Fuel Operation," Owner's Manual P/N P374-1500, 24 pages, Jun. 1999.
- Totaline, "Instructions P/N P474-1010", Manual, 2 pages, Dec. 1998.
- Totaline, "Programmable Thermostat", Homeowner's Guide, 27 pages, Dec. 1998.
- Totaline, "Submittal for Totaline P474-1100RF, P474-1100REC," 1 page, prior to Jan. 24, 2008.
- Totaline, "Thermostat Remote Control & Recive Owner's Manual P/N P374-0431," pp. 2-11, prior to Jan. 24, 2008.
- Totaline, "Wireless Programmable Digital Thermostat," Owner's Manual 474-1100RF, 21 pages, 2000.
- Totaline, "Wireless Remote Sensor, Model P474-0401-1RF/REC," 2 pages, prior to Jan. 24, 2008.
- Trane, "System Programming, Tracer Summit Version 14, BMTW-SVP01D-EN," 623 pages, 2002.
- Trouble Shooting Guide for Ritetemp Thermostat 8082, 1 page, 2002.
- Visor Handheld User Guide, 280 pages, Copyright 1999-2000.
- Warmly Yours, "Model TH111GFCI-P (120 VAC)," Manual, pp. 1-4, prior to Jul. 7, 2004.
- White-Rodgers 1F80-224 Programmable Electronic Digital Thermostat, Installation and Operation Instructions, 8 pages, prior to Apr. 21, 2005.
- White-Rodgers Comfort-Set III Thermostat, pp. 1-44, prior to Jul. 7, 2004.
- White-Rodgers Installation Instructions for Heating & Air Conditioning IF78 Non-Programmable Thermostat, 6 pages, prior to Apr. 21, 2005.
- White-Rodgers Installation Instructions for Heating & Air Conditioning IF78 5/2 Day Programmable Thermostat, 7 pages, prior to Jul. 7, 2004.
- White-Rodgers, "Installation Instructions for Heating & Air Conditioning IF72 5/2 Day Programmable Heat Pump Thermostat," 8 pages, prior to Jul. 7, 2004.
- White-Rodgers, "Comfort-Set 90 Series Thermostat," Manual, pp. 1-24, prior to Jul. 7, 2004.
- White-Rodgers, 1F80-240 "(for Heating Only systems) Programmable Electronic Digital Thermostat," Installation and Operation Instructions, 8 pages, prior to Jul. 7, 2004.
- White-Rodgers, 1F80-241 "Programmable Electronic Digital Thermostat," Installation and Operation Instructions, 6 pages, prior to Jul. 7, 2004.
- White-Rodgers, 1F80-261 "Programmable Electronic Digital Thermostat," Installation and Operation Instructions, 8 pages, prior to Jul. 7, 2004.
- White-Rodgers, 1F81-261 "Programmable Electronic Digital Multi-Stage Thermostat," Installation and Operation Instructions, 8 pages, prior to Jul. 7, 2004.
- White-Rodgers, 1F82-261 "Programmable Electronic Digital Heat Pump Thermostat," Installation and Operation Instructions, 8 pages, prior to Jul. 7, 2004.
- White-Rodgers, Comfort-Set 90 Series Premium, 4 pages, prior to Apr. 21, 2005.
- www.icmcontrols.com, Simplecomfort, SC3000 Single Stage Heat/Single Stage Cool or Single Stage Heat Pump/Manual Changeover, 1 page, prior to Jul. 7, 2004.
- www.icmcontrols.com, Simplecomfort, SC3001 Single Stage Heat/Single Stage Cool or Single Stage Heat Pump/Manual Changeover, 1 page, prior to Jul. 7, 2004.
- www.icmcontrols.com, Simplecomfort, SC3006 Single Stage Heat/Single Stage Cool or Single Stage Heat Pump/Manual Changeover, 1 page, prior to Jul. 7, 2004.
- www.icmcontrols.com, Simplecomfort, SC3201 2 Stage Heat Pump Manual Changeover, 1 page, prior to Jul. 7, 2004.
- www.icmcontrols.com, Simplecomfort, SC3801 2 Stage Heat/2 Stage Cool 2 Stage Heat Pump/Audio Changeover, 1 page, prior to Jul. 7, 2004.

* cited by examiner

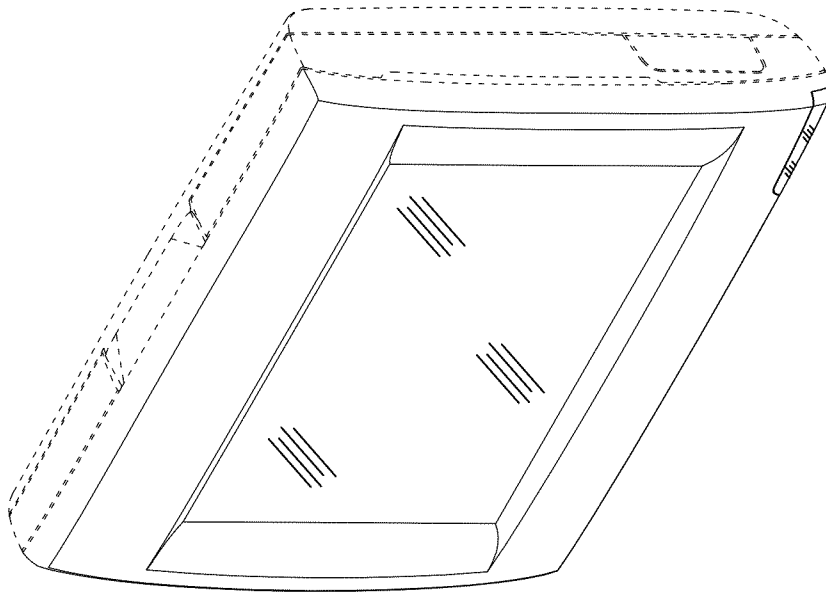


Figure 1

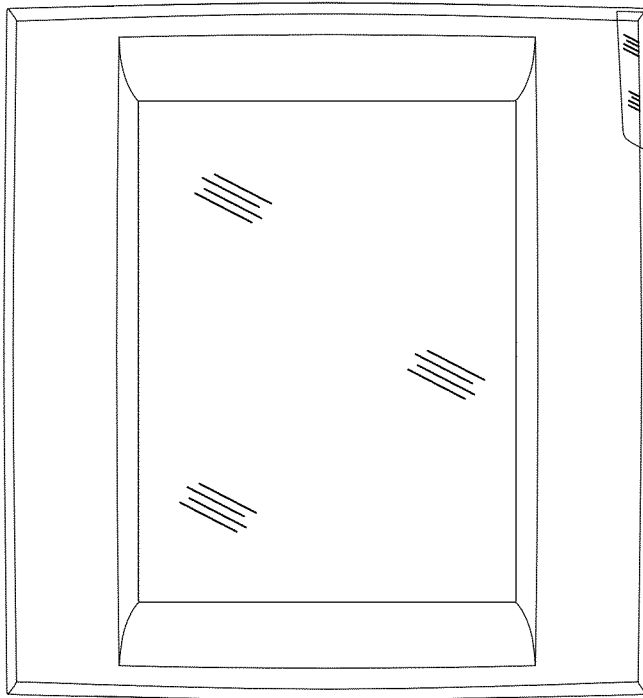


Figure 2

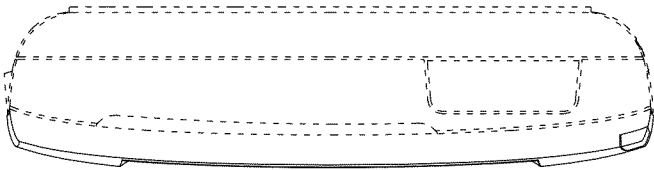


Figure 3

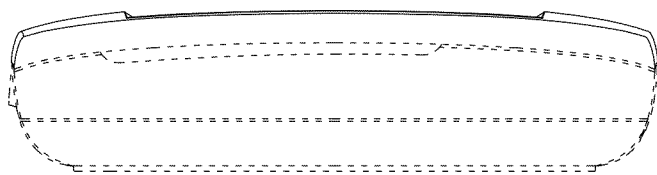


Figure 4

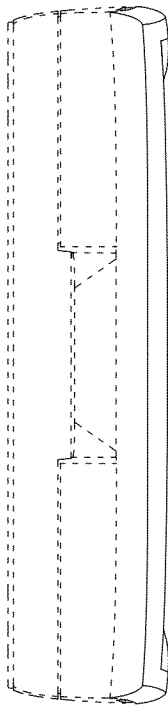


Figure 5

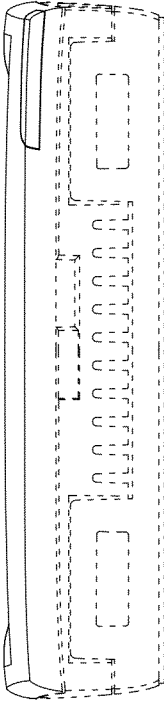


Figure 6