

## Presence detectors - talis II P 360-8-1

Item 18.06.0016.1



### PRODUCT DESCRIPTION

This presence detector utilizes passive infrared technology (PIR) and is designed for flush mounting, but if desired can be converted for surface mounting with the talis II SM box 10 accessory. This way, it can be integrated discreetly, regardless of their surroundings' design. Setup is performed after installation using the device's rotary knobs on the side of the presence detector, which are then concealed behind a cover. This presence detector offers a high energy efficiency through regular light balancing and offline function when there is sufficient daylight.

### APPLICATIONS

- ▶ Building Entrances and Corridors
- ▶ Classrooms
- ▶ Copy Room
- ▶ Garage
- ▶ Hotel Rooms
- ▶ Interior/Exterior Lighting
- ▶ Light Control
- ▶ Offices
- ▶ Outdoor Applications
- ▶ Residential
- ▶ Stairwells
- ▶ Storage Rooms
- ▶ Toilets
- ▶ Work and Meeting Spaces

### TECHNICAL DATA

#### General

Model Number	18.06.0016.1
Description	talis II P 360-8-1
Substitution Item	18.06.0005.1
EAN Code	4010940045975
Scope of application	Inside/Outside

#### Control Specifications

Sensor Type	Passive Infra-Red (PIR)
Light level	approx. 10 Lux - infinite Lux; Lux Memory

#### Mechanical Specifications

Mounting Options	Ceiling; Surface Mounting (with accessories only); False Ceiling
------------------	--

#### Dimensions

Product Height (mm)	80
Product Width (mm)	80
Product Depth (mm)	85

#### Material Specifications

Color	White (similar to RAL 9016)
Product Weight (kg)	0.14

#### Communication Method

Wired

2-Wire

### Electrical Specifications

Supply Voltage	AC 230 V $\pm$ 10% 50-60 Hz
Load incandescent bulb	max. 2000 W
Load halogen lamp	1000 W (AC); 1000 VA / 900 W (LV Electronic); 1000 VA / 600 W (LV Conventional)
Load compact fluorescent lamp	max. 100 $\mu$ F (non-compensated)
Load LED lamp	max. 400 W
Load energy-saving bulbs	400 W; 600 VA; incl. CFL and PL lamp
Fluorescent Lamps	12 x 2 x 18 W; 25 x 1 x 18 W; 5 x 2 x 58 W; 10 x 1 x 58 W; 7 x 2 x 36 W; 15 x 1 x 36 W
Power consumption (Standby)	<1 VA
Parallel switching	Max 6 Sensors

### Benefits

Channels	1
----------	---

### Display and Format

Angle of detection	360°
Range small movements	Ø 3 m
Range walking towards	Ø 4 m
Range walking across	Ø 8 m
Installation height	2,5 m
Time setting (1CH)	approx. 5 sec. - 30 min

### Operating Specifications

Operating mode	Impulse function; Test Mode; Learning Function
----------------	--

### Environmental Specifications

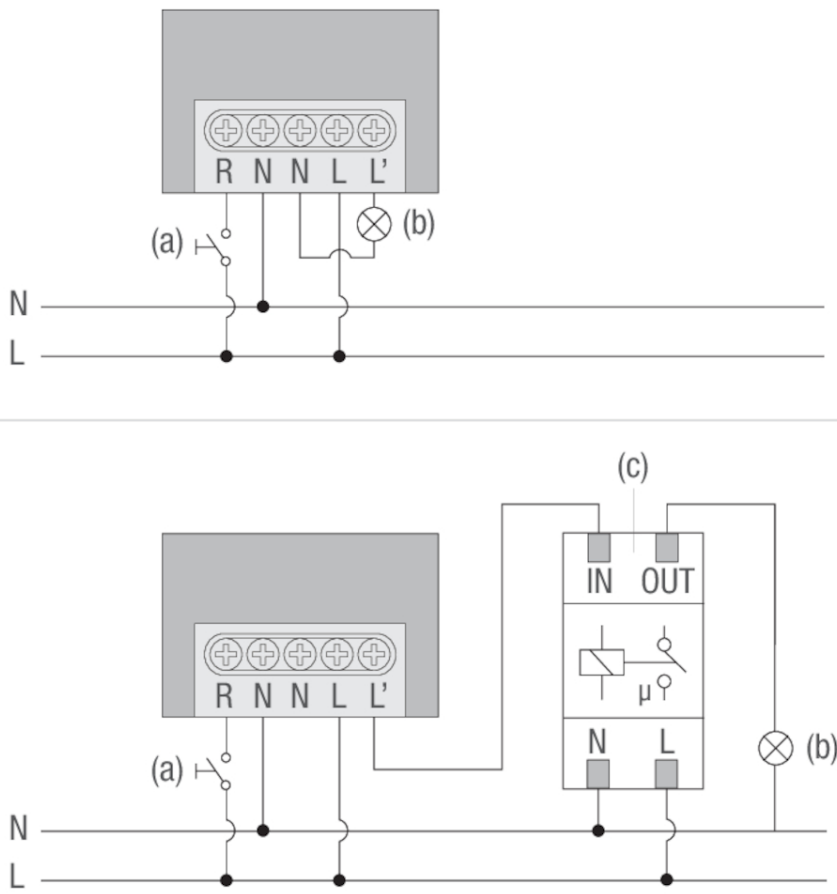
Temperature (operation)	0°C..45°C
-------------------------	-----------

### Standards and Certifications

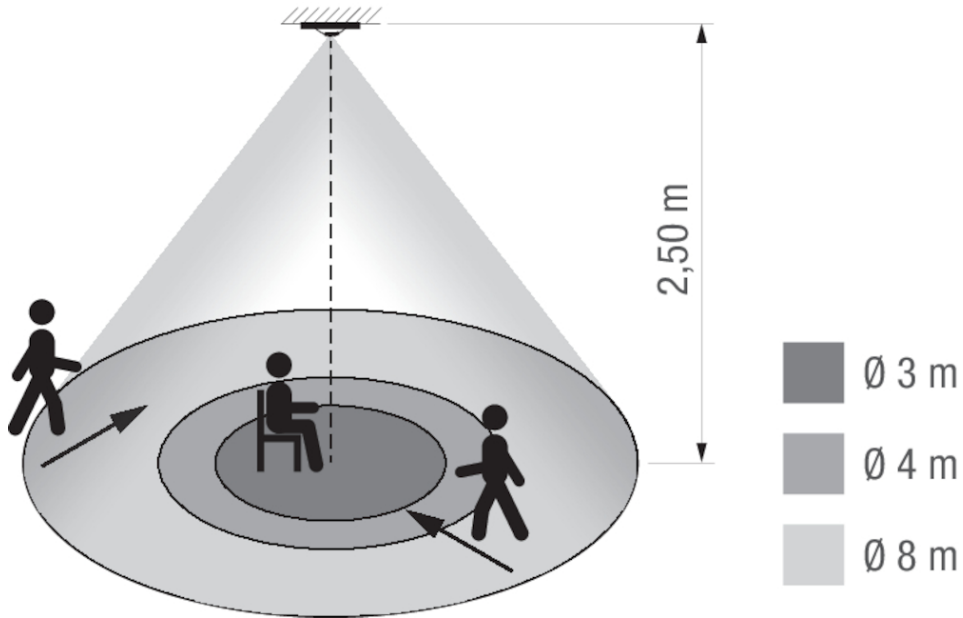
Approval mark	CE
Protection class	II, According to Corresponding Mounting
Protection type	IP44
Standards and Guidelines	EN 55015; EN 60669-1; EN 61000-3-3; EN 61547; 2006/95/CE (LVD); EN 60660-2-1; 2004/108/CE (EMV); EN 61000-3-2

## ANNEX

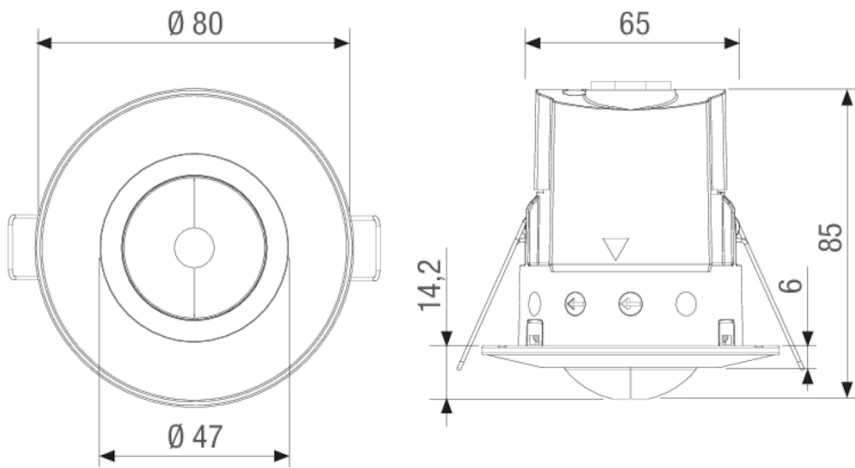
### CIRCUIT DIAGRAMS



**RANGE DIAGRAMS**



**DIMENSIONAL DRAWINGS**



---

## ACCESSORIES



07.10.0003.1  
talis II SM BOX 10