

Your Catalog of Accessories & Parts for Chevrolet Truck GMC Truck

1/2 Ton, 3/4 Ton 1988-98

2024 EDITION
Vol. 2 **CD.83**



**Bernabe Perez's
1989 Chevy Silverado 1500**
See inside for story.



"Keeping Generations On The Road"®

Prices Valid From April 16, 2024 Through July 15, 2024

LMCTRUCK.com
(800) 562-8782

Seat Belt Sets



For More Colors See Page 58

Seat Belt Sets feature end release buckles and are constructed of OE-quality herringbone webbing. Seat Belt Sets included for left, right and center seating positions (except models with front bucket seats). Seat belts are a simple, direct bolt-in installation using the original seat belt mounting holes. Reuse existing hardware to install seat belts. Federal regulations require seat belts in all trucks manufactured after July 1971.

PART	DESCRIPTION	APPLICATION	REQD	PRICE
Front Bench Seat				
38-2233-BL	FRONT SEAT BELT SET-BLACK	STD CAB	88-98 (1)	\$310.95
38-2235-BL	FRONT SEAT BELT SET-BLACK "A"	EXT CAB	88-98 (1)	\$304.95
Front Bucket Seats				
38-2236-BL	FRONT SEAT BELT SET-BLACK "A"	EXT CAB	88-98 (1)	\$310.95
38-2238-BL	FRONT SEAT BELT SET-BLACK W/3RD DOOR		96-98 (1)	\$304.95
Rear Bench Seat				
38-2237-BL	REAR SEAT BELT SET-BLACK	EXT CAB	88-98 (1)	\$304.95

Note: "A" Except 1996-98 trucks with optional 3rd door.

NEW Replacement Door Panel Sets

1990-94 Chevy & GMC Truck



W/POWER = With Power Windows and Locks

These are replacement door panels, not reproductions of the originals. Door panels are sold in sets of two and include padded armrest and window weatherstrip. Replacement Door Panels are made from automotive-grade ABS plastic and vacuum molded for a perfect fit. Will not crack under extreme temperatures. New fasteners are also included for an easy installation.

PART	DESCRIPTION	APPLICATION	REQD	PRICE
39-2485-BL	DOOR PANEL SET-BLACK	W/POWER	90-94 (1)	\$469.95**
39-2485-LL	DOOR PANEL SET-BLUE	W/POWER	90-94 (1)	\$469.95**
39-2485-DG	DOOR PANEL SET-DARK GRAY	W/POWER	90-94 (1)	\$469.95**
39-2485-DR	DOOR PANEL SET-DARK RED	W/POWER	90-94 (1)	\$469.95**
39-2485-SD	DOOR PANEL SET-SADDLE	W/POWER	90-94 (1)	\$469.95**

* Or ** after the sell price means your order will incur an Oversize Part Charge for each oversized part. * Means extra charge will be \$20. ** Means extra charge will be \$50. Due to packing and/or transportation requirements, please allow additional time for delivery. Oversized Parts are not available for air delivery.

NEW PRODUCTS!



Door Panel Sets, 1990-94	49
Fuel Supply Lines, Pre-Bent	82
Quad 4 Amplifier	77
Seat Padding Material	56
Speaker Set, Premium	77
Wiper Cowl Seal Set	25
Wire Loom Sets	131

Door Panels
See Page 49

Speaker Set
See Page 77



"Right Part ...
Right Price ...
Right Now"®
Place your order today
It's Fast, Simple & Safe!

Body

Exterior Rubber

Bumper

Grilles

Interior

Fuel

Steering

Suspension

Brakes

Clutch

Axle

Wheels

Accessories

Engine

Exhaust

Cooling & Heating

Electrical

Stock Lamps

Custom Lighting

DVD / Policy

CONTACT US

CALL USA & CANADA: **(800) 562-8782**

¿Habla Español? **(855) 456-2288**

Ordering Hours: Central Time
Monday - Friday: 7:00 a.m. - 8:00 p.m.
Saturday: 8:00 a.m. - 6:00 p.m.
Sunday: Closed

Customer Service: (800) 222-5664
Fax: (800) 541-8525
Kansas City: (913) 492-8756
International Orders: 1 (913) 541-0684
International Fax Orders: 1 (913) 599-0323

Shop Online
LMCTRUCK.com

LOCAL CITY PICK-UP COUNTER



Ordering Hours: Central Time
Monday - Friday: 9:00 a.m. - 7:00 p.m.
Saturday: 9:00 a.m. - 6:00 p.m.
Sunday: Closed

If you're in the Kansas City area or plan on stopping by for a visit to LMC Truck, call ahead and we will have your order ready when you come in.

15450 W. 108th Street, Lenexa, KS 66219
Kansas City Area Call: (913) 562-8782

LMC TRUCK is in no way affiliated with the General Motors Corporation nor do we intend to imply that. The names General Motors and Chevrolet are used for reference only.

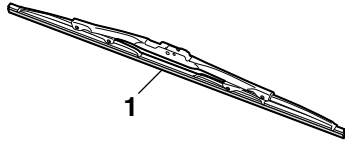
Applications listed in this catalog are based on original factory information. However, variances will occur due to non-documented substitutions, and changes made during the vehicle's production.

Long Motor Corporation © Copyright 2024
Printed In The USA
Effective: April 16, 2024

CD.83 Vol. 2, First Printing. This edition supersedes all previous publications, including prices. We reserve the right to change our prices at any time, without notice. All rights are reserved. No part of this publication may be copied, reproduced, stored in any retrieval system, communicated or transmitted in any form or by any means: photocopying, electronic recording or otherwise, without prior written permission.

How to Use this Catalog

Example: Wiper Blades



PART	ILL#	DESCRIPTION	APPLICATION	REQD	PRICE
37-4045	(1)	WIPER BLADE	2ND DESIGN CHEVY GMC 94-98	(2)	\$8.95

Please Note: Product drawings are only representations. Products supplied may vary from illustrations in this catalog.

ALL ITEMS ARE PRICED EACH IN THIS CATALOG.

"Kit" means the components that are required to do a replacement for one part, check required column. "Set" means a number of parts that complete one truck.

Explanation of policies is on pages 157 and 158.

Listing Explanation:

PART: The part number you order, i.e. #37-4045.

ILL #: Illustration reference number, i.e. (1) is the Wiper Blade.

DESCRIPTION: Name of part, i.e. Wiper Blade.

APPLICATION: Model and year part fits, i.e. 2nd Design Chevy GMC 94-98.

REQD: Quantity of the part required for one truck, i.e. two (2) Wiper Blades are required for one truck.

PRICE: The low price you pay for one part, i.e. Wiper Blade is \$8.95, making your total net cost \$17.90 + Delivery & Handling for two Wiper Blades required for one truck.

Part Number Definitions

-T After a part number means that part must be shipped Truck Freight. An additional \$150.00 will be charged to your order for delivery in the 48 contiguous United States. Orders outside of the 48 states will be quoted. Additional delivery time required.

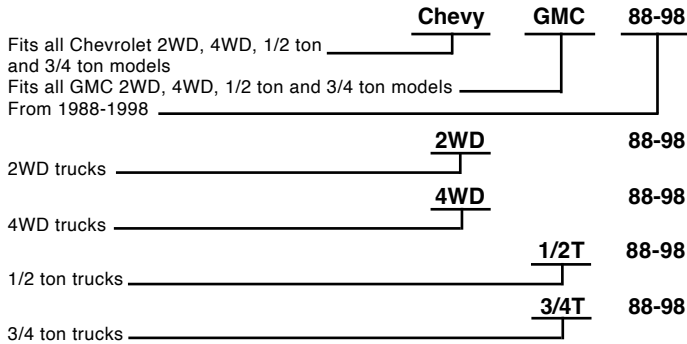
-R Remanufactured Part - No core charge.

* Or ** after the sell price means your order will incur an Oversize Part Charge for each oversized part. * Means extra charge will be \$20. ** Means extra charge will be \$50. Due to packing and/or transportation requirements, please allow additional time for delivery. Oversized Parts are not available for air delivery.

A		B		C		D	
A-Arm Assemblies	93-95	Battery Tap Kit	134	Bulb Tool, Remove & Install	140	Clutch Hydraulics	107
A-Pillar Gauge Pods	72	Battery Terminal Conversion Set	135	Bulb, Tail Light	141	Clutch Kits, 3-In-1	107
A.I.R. Pulley	116	Battery Terminal Protector Set	135	Bulbs, Custom	146,149	Clutch Master Cylinder	107
A/C Disconnect Tool Set	128	Battery Tray & Parts	135	Bumper & Parts	26-27,29-31	Clutch Parts	107
AC Harness W/Relay	125	Bed Cap Sets	20	Bumper Bolt Kit	26-28	Clutch Pedal Pad	78
Accelerator Cable	78	Bed Cap Sets, ABS	20	Bumper Brace	28	Clutch Pedal Position Switch	107
Accelerator Controls	78	Bed Emblems	34	Bumper Brace Kit	26-27	Clutch Pre-Filled System	107
Accelerator Pedal Pad	78	Bed Mat, Heavy-Duty	22	Bumper Bracket Kit	28-29,98	Clutch Reservoir Cap	107
Actuator Harness Upgrade, 4WD	94	Bed Rail Protection Film	22	Bumper Fog Light	30-31	Clutch Slave Cylinder	107
Adhesive Spray, LOCTITE	152	Bed Tie Down Anchor	21	Bumper Guard	26	Coil & Spindle Lowering Kit	99
Adhesive Tape Strips, 3M	152	Bed to Frame Mounting Kits	15	Bumper Impact Strip	26,28	Coil Spring & Parts	93
Adhesive/Stripe Eraser Wheel	16	Bed Wheel Housing, Fleetside	19	Bumper Pad	28	Coil Spring Compressor Tool	93
Air Charge Temperature Sensor	80-81	Bedside Decals	34	Bumper, Lighted Front	30-31	Coil Spring Lowering Kit	99
Air Cleaner Top, EDELBROCK	125	Belt Molding Remover Tool	52	Bushings, Polyurethane	97	ColorBond Products	79
Air Cleaner Tops, Chrome	118,125	Bench Seat Console	79	Bushings, Suspension	93-95,97	Column Cover	87
Air Conditioning Accumulator	129	Bench Seat Cushion	56			Column Shifter, Billet	87
Air Conditioning Blower Resistor	129	Bench Seat Reupholstery Kit	56			Compressors, Air Conditioning	129
Air Conditioning Bypass Pulley	129	Bench Seat, Custom	57	Cab Corner	11	Console, Bench Seat	79
Air Conditioning Condenser	129	Billet Steering Wheel	86	Cab Emblem	35	Control Arm Bushing, Poly	97
Air Conditioning Evaporator Core	129	Blind Spot Mirror	48	Cab Floor Half	12	Coolant Overflow Kit	118,128
Air Conditioning Orifice Tube	129	Blower Motor Cooling Tube	129	Cab Floor Support	12	Cooler, Chevrolet Vintage	155
Air Conditioning Parts	129	Blower Motor Relay	129,134	Cab Handle Set	36	Cooling Fan, Dual	125
Air Deflectors & Hardware	27,71	Blower Motor, Air Conditioning	129	Cab Mount Bushing Set, Poly	16	Cooling Fan, Electric	125
Air Door Actuators	68,71	Blower Motor, Heater	127	Cab Panel Carpet, Rear	60	Cooling Parts	125,128
Air Hold Fittings	114	Body Gap Filler Set	18	Cab Roof Light Kit	151	Courtesy Light Switch	136
Air Vent Outlets	68,71	Body Lift Kit	98	Cab to Frame Mounting	15	Cowl Induction Emblem Set	13
Air Vent Parts	68	Body Lighting Harness, Rear	136	Cable, Antenna	156	Cowl Induction Hood	13
Amplifier, Quad 4	77	Body Panel Alignment Shims	10	Caliper Repair Kits	101	Cowl Panel, Hood	11
Antenna Grommet	155	Body Panels, Steel	11-12,18-19	Caliper Set, Disc Brake	101	Crankshaft Position Sensor	80
Antenna, Amplified Hide-Away	156	Body Side Molding	47	Cam Bolt Kit	93-95	Crossmember, Front	16
Antennas & Parts	156	Books	154	Cam Kit, Performer, EDELBROCK	125	Custom Bench Seats	57
Anti-Seize Lubricant	152	Bowtie Decals	34	Cargo Light & Parts	141	Custom Bucket Seats	57
Anti-Seize Stick, LOCTITE	152	Bowtie Emblems	34,39,41-43	Cargo Light Assembly	141	Custom Bulbs	142,146
Auto Belt Tensioners & Pulleys	80	Brake Backplates	100	Cargo Light Assembly, Chrome	150	Custom Headlights	144
AutoMeter Digital Dash Kit	73	Brake Bleeder Screws	100	Cargo Light Connector	141	Custom Towing Mirror	144
AutoMeter GPS Module	73	Brake Boosters & Hoses	104	Cargo Light Set, LED	151	Custom Wheels	113
Auxiliary Battery Relay	134	Brake Cables	103	Carpet, Molded	60		
Auxiliary Fan Control Relay	134	Brake Caliper & Parts	101	Carrier Bearing Relocator	98		
Auxiliary Power Provision Relay	134	Brake Control Relay	134	Car-Back Exhaust Systems	123	Dakota Digital Gauge Clusters	75
Axle Flip Kit	98	Brake Drum & Parts	100	Catalytic Converter	124	Dash Cover, Molded Plastic	66
Axle Shaft Assemblies, Front	109	Brake Drum Kit	100	Center Caps, Wheel	112-113	Dash Dimmer Switch	136
Axle Shafts, Rear	109	Brake Hose Set, Stainless	104	Center Hump Floor Liner	63	Dash Gauge Clusters	75
		Brake Hoses & Parts	106	Center Link, Steering	89	Dash Gauges & Parts	72
		Brake Indicator Lamp Relay	134	Check Valve, A.I.R.	116	Dash Instrument Bezels	69
		Brake Line, SS, Pre-Bent	105	Check Valve, Brake Booster	104	Dash Pad Assembly	67
		Brake Master Cylinder	102	Chevrolet Decals	34	Dash Parts	67-72,74-76
		Brake Pedal Assembly	78	Chevrolet Emblems	34-35,39,41	Dash Protector, Velour	66
		Brake Pedal Pad	78	Chrome Bumpers	26-27,30-31	Dash Speaker Grille	67,69
		Brake Repair Kit	100	Chrome Engine Parts	118-119	Dash Storage Compartment	69
		Brake Shoe Adjustment Tool	100	Clearance Lamps, Dually Fender	18	Daytime Running Lamp Relay	134
		Brake Shoe Set	100	Climate Control Insulation Tape	129	Decals	34
		Breather Grommet, Valve Cover	119	Clutch Alignment Tool	107	Defroster Nozzle	68
		Bucket Seat, Custom	57	Clutch Fork	107	Diamond Tread Step Bumpers	28
		Bug Shield	14	Clutch Hose	107	Diaphragm Kit, FPR	80

How to Read this Catalog

Throughout this catalog, the application line of the part number describes which model of GM Truck that particular part will fit. The models this catalog covers are 1988-98 2WD, 4WD, 1/2 ton and 3/4 ton trucks. Because not everyone can identify their truck by these model descriptions, here is an example of what each letter and number that appears on the description line stands for:



Part Number Examples

PART	DESCRIPTION	APPLICATION	REQD	PRICE
38-8300	HOOD TO COWL SEAL	CHEVY GMC 88-98	(1)	\$13.45
39-7402	AIR DEFLECTOR	"A" 2WD 1/2T 89-97	(1)	\$25.45

The application line states that this part, **#38-8300**, fits all Chevy GMC models from 1988-98.

The application line states that this part, **#39-7402**, fits 2WD 1/2 ton models only 1989-97. On the description line of part you see **"A"**, this means there is a special note about this particular part.

At the bottom of the page the part appears on you will find a shadow box that will describe to you what the special note for this part is.

Example:

Note: "A" With fog light holes.

This note is telling you that this part has fog light holes.

Dielectric Grease, LOCTITE	152	Door Threshold Plate Set	64	Fastener Removal Tool	52	Fuel Supply Line, Pre-Bent	82
Diesel Injector Cap	81	Door Weatherstrip	53-55	Fender Flares	45	Fuel Vent Hoses	85
Diesel Injectors	81	Door Window Glass Holder	52	Fender Hardware	11	Full Pillar Triple Gauge Pod	72
Differential Cover, Chrome	118	Door Window Handles	51-52	Fender Support, Stepside Bed	18	Fuse Box Cover	69
Differential Lock Kit	109	Door Window Switch	50	Fender Trim Molding	45		
Digital Dash Kit	73	Drain Tap, Radiator	126-127	Filler Hoses & Pipes, Gas Tank	84-85	G	
Dipstick Tube Seal	108	Drip Weatherstrip	53-54	Filler Pipe Housing	84-85	Gas Caps	85
Dipstick, Oil	114	Driving Light Set	142	Flare Tool Set, SAE	105	Gas Filler Door & Parts	84-85
Disc Brake Pad Sets	101	Drop Coil Springs	98	Fleetside Bed Panels	19	Gas Tank & Parts	83
Disc Brake Rotors	101	Drop Shackle Set	98	Fleetside Bed Parts	19	Gas Tank Anti-Squeak Kit	83
Distributor & Parts	131	Drop Shock Absorbers	98	Fleetside Bedside Attachment	19	Gas Tank Lock Ring	83
Distributor Assemblies, New	131	Drop Spindle Set	98	Flex Edge Steel	10	Gas Tank Strap Sets	83
Distributor Caps	131	Drop Spring Hanger Set	98	Flex Loom	131	Gas Vent Hoses	84-85
Distributor Rotors	131	Drum Brake Pliers	104	Flexplate	117	Gas-Charged Shocks, HD	92
Dolly Set, Auto	92	Dual Exhaust System	123	Flexplate Cover, Chrome	118	Gas Tank Sealant, LOCTITE	152
Dome Light & Parts	76,140	Dual Gauge Pods, A-Pillar	72	Flexy-Flares Fender Extension	45	Gauge Clusters	73-75
Dome Light Lens, Clear	76	Dually Fender	18	Flip Socket Set	111	Gauge Overlays, White Face	76
Door Alignment Tool	50	DVDs, Kevin Tetz, Paintucation	153	Floor Console Latch	71	Gauge Panels	72
Door Bottom, Inner	11	E		Floor Liners	63	Gauge Pods, A-Pillar	72
Door Bumpers	25,53	ECU Coolant Temperature Sensor	80	Floor Mat Set, Carpet W/Logo	63	Gauges & Parts	72
Door Channel Rubber	52	EDELBROCK Manifold	125	Floor Mats	61,63	Gear Position Sensor	75
Door Conduit, Rubber	25,53	EGR Control Solenoids	116	Floor Mats, Carpeted	63	Glass & Windshield Sealant	152
Door Edge Protection Film	22	EGR Tube	115	Floor Mats, OE Style	62	Glove Box & Parts	68,70
Door Emblem	35	EGR Valve & Gasket	116	Floor Mats, Rubber	62	Glove Box Door Striker	68
Door Fastener Removal Tool	52	Electric Cooling Fan Kits	125	Floor Sections, Outer	12	Glove Box Doors	68
Door Glass & Seals	52,55	Electric Fan Assembly, A/C	129	Flywheel & Ring Gear	117	Glove Box Stop Cable	68
Door Glass Run	55	Electric Spark Control	80	Fog Light & Parts	30-31,141	Gloves, Disposable	123
Door Handle Bezel	50-51	Electronic Fan Controller	74	Fog Light Assembly	141	Glow Plug & Sensor	81
Door Handle Set, Chrome	53,64	Electronic Flasher	146	Fog Light Connector	141	Glow Plug Relay	134
Door Handles & Parts	51	Electronic Musical Horn	156	Fog Light Relay	134	GMC Decals	34
Door Handles, Inside	50-51	Emblem Set, Cowl Induction	13	Fog Lights, Bumper	30-31	GMC Emblems	35,40
Door Handles, Outside	55,64	Emblems	13,34-35,38-41	Frame C-Notch Kit	98	GPS Module	73
Door Hinges & Parts	53	Emergency Flasher	134	Front Axle Actuator Eliminator	94	GPS Speed Sending Unit	74
Door Latch & Parts	53-54	End Link Kit, Sway Bar	95	Front Axle Actuator, 4WD	94	Grille & Radiator Support	37,126-127
Door Lock & Window Switch	136	Engine Block Heaters	127	Front Bumper, Chrome	26-27,30-31	Grille Emblem	34,39-43
Door Lock Actuator	55	Engine Decals	34	Front Fender	11	Grille Emblems, Chevy	34,39,41-43
Door Lock Relay	134	Engine Mount & Parts	115	Fuel Door Bumper	25,84-85	Grille Emblems, GMC	40,42-43
Door Lock Striker	55	Engine Mount Insert, Poly	115	Fuel Door Skin Kit, Chrome	46	Grille Mounting Parts	37-39
Door Lock Switch	50-51,136	Engine Oil Cooler Hoses	117	Fuel Filler Door & Parts	84-85	Grille Overlays	40,44
Door Locks & Parts	53	Engine Parts, Chrome	118-119	Fuel Filter	83	Grille, Billet - Chevy	44
Door Mirror & Parts	48	Exhaust Flange Spring Bolt Kit	124	Fuel Injection Parts	80-81	Grille, Chevrolet	39,41-44
Door Panel Reflector	54	Exhaust Header Wrap	124	Fuel Line Disconnect Tool Set	128	Grille, Custom	40-44
Door Panel Retainer	55	Exhaust Manifold & Parts	115	Fuel Line Extension Set	121	Grille, Custom - Chevy	41-44
Door Panel Sets	49	Exterior Rubber	25	Fuel Lines, Pre-Bent	82	Grille, Custom - GMC	40
Door Parts	50-54	Exterior Trim Paint	79	Fuel Pressure Regulator	81	Grille, GMC	38,40,42-43
Door Seals	25,53-54	F		Fuel Pressure Regulator Kit, JET	121	Grilles	38
Door Shell, Steel	11	Fan Blade	130	Fuel Pressure Sensor	80	Grommets, Engine	116
Door Sill Plate Set	64	Fan Clutch	130	Fuel Pump & Parts	84	Ground Straps	135
Door Skin, Steel	11	Fan Shroud, Radiator	126-127	Fuel Pump Module	84		
Door Speaker Grille	50			Fuel Pump Relay	134	H	
Door Striker & Parts	53-54			Fuel Return Hose Kit	81	Hair Pin Style Hood Pin Set	14
Door Switch Bezels	50			Fuel Strainers	84	Halogen Bulbs	30-32,143-144,146

If You Can't Find the Part You Need in this Catalog, Here's What You Should Do:

- Check local SALVAGE YARDS. Even if they do not have a car like yours on hand, most salvage yards have access to a communication network which connects them to other salvage yards in your region of the country. Don't hesitate to ask them if you may use it.
- Check local BODY SHOPS and GARAGES for parts accumulations they may have built up over the years. You might get lucky!
- Check local WELDING and MACHINE SHOPS to see if they might be able to MAKE the part you need.

Halogen Headlight	139,143-144	Hose Fitting Removal Tool	127	Lowering Parts	98-99	Parking Brake Release Handle	102
Hand Riveter Set	37	Hoses, Air Conditioning	129	Lubricants & Adhesives	152	Parking Brake Switch	102,137
Handle, Window	51-52	Hubcaps & Parts	113	Lug Nut Cap	111	Parklight & Parts	138,143-144,147
Hangers, Leaf Spring	96			Lug Nuts	111-113	Parklight Bulb Set, Custom	143-144
Harmonic Balancer & Parts	117	I				Parklight Kit	138
Harmonic Balancer Puller/Installer	117	Idle Air Control Valves	80-81	M		Parklight Protection Film	146
Harness, HD Headlight	143,145	Idler Arm & Parts	89	Magnetic Glove Dispenser	123	Parklight Set, Custom	143-144,147
Hats W/Embroidered Logo	154	Idler Pulleys & Tensioners	80	Manifold Gasket	115	PCV Valves & Parts	116
Hazard Warning Knob	87	Ignition Coil	131	Manifold, EDELBROCK	125	Pedal Pad Kit	78
Head Gasket Sets	122	Ignition Coil Bracket	131	Manual Choke Conversion Kit	82	Penetrating Graphite Powder	152
Header Bolt Set	122	Ignition Lock Cylinder W/Keys	71	MAP Sensor	80-81	Performance Brake Pad Sets	101
Header Reducer Sets	122	Ignition Module	131	Marker Lens Sets, Clear	142	Performance Suspension	97
Header Set, HEDMAN HEDDERS	122	Ignition Parts	131	Mass Air Flow Sensor	121	Permatex Orange Threadlocker	152
Header Wrap	124	Ignition Switch	136	Mass Air Flow Sensors, JET	121	Pick-Up Coils, Distributor	131
Headers & Parts	122	Ignition Wire Loom Set	131	Master Cylinder Cover, Chrome	118	Pillar Post Trim Kit, Chrome	46
Headers, Shorty, PACE SETTER	122	Ignition Wire Set	131	Master Cylinder, Brake	102	Pitman Arm	89
Headlight & Parts	139,143-145	Impact Strips, Bumper	26,29	Mirror Mounts & Glue	58	Pitman Arm Puller	87
Headlight Adjuster	139	In Channel Window Visor Set	36	Mirror, Door	48	Plenum Gasket Set	81
Headlight Assemblies	139	In-Bed Tire Carrier	18	Mirror, Rear View	58	Plug Weld Pliers	16
Headlight Dimmer Switch	136	Inner Cab Corner	12	Molded Carpet	60	Polishing Kit, Deluxe	30
Headlight Harness, HD	143,145	Inner Fender, Primed	11	Molding Kit, Wheel Arch	45	POR-15 Restoration Products	17
Headlight Mounts	139	Inner Wheel Well, Rear, Fleetside	19	Molding Sets, Side	47	Power Mirror Switch	50,136
Headlight Protection Film	146	Installation Kits, Steering Wheel	86	Mounting Kits, Body	15	Power Steering Cap, Chrome	118
Headlight Relay	134	Insulation Kit, Pre-Cut	59	Mounts, Engine/Transmission	115	Power Steering Filter, In-Line	90
Headlight Retainer	139	Insulation Material	59,61	Movable Anchor Point	21	Power Steering Gears	88
Headlight Switch	136	Intake Gasket Set	81	Mud Guards	33	Power Steering Hose	90-91
Headlights, Custom	139,143-145	Interior Parts	49-51,54,56-79	Multi-Port Fuel Injection	81	Power Steering Parts	88,90-91
Headliners, ABS Plastic	65			Musical Horn System	156	Power Steering Pumps	88
Heat Shield Kit	59	K				Power Window Motor	55
Heated Windshield Washer Kit	132	Keyless Access Kit, Remote	54	N		Power Window Relay	134
Heater Blower Fan Switch	136	Knock Sensors	80	Neutral Safety Switch	137	Power Window Switch	50,137
Heater Blower Motor W/Fan	127			New Vintage Gauges	74	Pre Heater Duct	107
Heater Blower Resistors	127	L				Proportioning Valve Connector	102
Heater Core	127	Lamp Bulbs	150	O		Pry Bar Set, Plastic	16
Heater Hose Fittings	127	Lamps & Parts	148,150-151	OB2-II/CAN Interface	75	Pulley, Power Steering	88
Heater Hoses	127	Leaf Spring & Parts	96	Oil Caps, Chrome	119	PUTCO LED Tailgate Light	148
Heater Parts	127	Leaf Spring Anchor Plate	96	Oil Cooler Hoses	117		
Heater Switch	127	Leaf Spring Bumper	96	Oil Cooler Line Disconnect Tool	106	R	
HEDMAN HEDDERS Header Set	122	Leaf Spring Bushing Set, Poly	97	Oil Dipstick	114	Radiator & Parts	126-128
High Amp Alternators	134	Leaf Spring Hangers	96	Oil Drain Plug, Magnetic	115,119	Radiator Cap	126-127
High Beam Headlight Relay	150	Leaf Spring Shackles	96	Oil Drain Valve, EZ	119	Radiator Cap, Chrome	118
Highliner W/Speakers	65	Leaf Spring Stop	96	Oil Filler Cap	114	Radiator Core Mounting	15
Hitch Ball Mounts	110	LED Bulbs	76,146,149	Oil Filter Cover, Chrome	118	Radiator Fan Shroud	126-127
Hitch Balls, Chrome	110	LED Cab Roof Light Kit	151	Oil Pan & Parts	115,119	Radiator Hoses	128
Hitch Pin & Clip	110	LED Cargo Lights	151	Oil Pan Gasket	115,119	Radiator Mount Bracket	126-127
Hitch, Switch-Ball Set	110	LED Headlight	144	Oil Pan Snap-Ups	115	Radiator Overflow Tank	126-127
Hood Bumpers	12,25	LED License Plate Bolt Set	151	Oil Pan, Chrome	115,119	Radiator Parts	126-127
Hood Catch	12	LED Parklights	147	Oil Pressure Gauge	72	Radiator Support Pad	126-127
Hood Hinge Seal	12,25	LED Tail Light	149	Oil Pressure Switch	114	Radiators	128
Hood Hinge Set, Billet	13	LED Tailgate Light	148	Oil Pump	114	Radio Antenna	156
Hood Hinges	12	LED Third Brake/Cargo Lights	149	Oil Pump Priming Tool	114	Radio Button Kit	76
Hood Insulation Kit, ABS	14	Leveling Kits, Front	92	Overflow Cap, Radiator	126-127	Radio Control Knobs	76
Hood Insulator	12	License Plate Bolt Set, LED	151	Overflow Hose	126-127	Radio Speaker	77
Hood Latch & Parts	12	License Plate Bracket	26-27,30	Overflow Kit, Coolant	118,128	Rail-Guard Set, Vinyl	20
Hood Pin Set, Hair Pin Style	14	License Plate Bracket, Chrome	30	Overflow Tank, Radiator	126-127	Rally Wheel Hubcaps	113
Hood Protection Film	22	License Plate Frame	30	Oxygen Sensors	80	Rear Bumper Parts	28
Hood Release Cable	12	License Plate Lamp & Parts	140			Rear Drum Brakes	100
Hood Scoop, Steel	14	Lift Kit	98	P		Rear Roll Pan	33
Hood to Cowl Seal	25	Light Bulbs, Custom	149	Padding Material, Seat	56	Rear Roll Pans, Urethane	33
Hood, Steel	11,13	Light Wiring Kit	30-32	Paint Protection Film	22	Rear Step Bumper & Parts	29
Hoop Steps	23	Lighter Parts, Cigarette	76	Paintuction DVDs, Kevin Tetz	153	Rear Step Bumper, OE Style	29
Horn Button Cap	87	Lighting	138-151	Panel & Trim Removal Tool Set	16	Rear Suspension Parts	96
Horn Buttons, Billet	86	Lighting Harness, Rear Body	136	Parking Brake Cable Repair Kit	103	Rear View Mirror	58
Horn Contact	87	Lighting, Custom	139,143-149,151	Parking Brake Cables & Parts	102-103	Rear Wheel Bearing	111
Horn Relay	134	Line Clamp Set, NotchHead	82	Parking Brake Pedal Assembly	102	Rear Wheel Cylinders, Brake	100
Horn Wire	87	LOCTITE Products	152	Parking Brake Pedal Pad	78,102	Rear Window & Parts	22,24
Horns	156	Lower Grille Panel Set, Chrome	36	Parking Brake Release Cable	102	Rear Window Latch Assembly	22,24

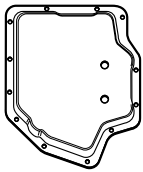
Rear Window, Sliding	22	Steering Column Covers	87	Thermostat & Parts	130	Water Outlet, Gasket	130
Receiver Hitch & Parts	110	Steering Column Filler	69	Third Door Components	54	Water Outlet, Seal	130
Reflector Protection Film	146	Steering Controls	89	Thread Sealant	152	Water Outlets & Parts	118,130
Reflector Set, Custom	144	Steering Coupler	88	Threshold Protection Film	22	Water Outlets, Swivel Neck	118
Reflectors	138	Steering Gear	88	Throttle Body Gasket	81	Water Pump & Parts	130
Reflectors, Front Sidemarker	138	Steering Knuckle Parts	94-95	Throttle Body Injection Gasket Kit	80	Water Pump Gaskets	130
Relays & Flashers	134	Steering Pitman Arm	89	Throttle Body Spacer	121	Water Reservoir Cap, Chrome	118
Remote Starter Switch	142	Steering Shaft	91	Throttle Cable Bracket	119	Water Temperature Gauge	72
Resonator Tips, Exhaust	123	Steering Shaft, Replacement	91	Throttle Position Sensors	80-81	WeatherPak Wire Extractor Tool	134
Ring Gear, Flywheel	117	Steering Stabilizer Kit	89	Throttle Valve Cable	108	Weatherstrip & Seals, Door	25
Riveter Set	37	Steering Tie Rod End	89	Tie Down Anchors	21	Weatherstrip Adhesive	152
Rocker Panel Protection Film	22	Steering Wheel Puller	87	Tie Rod End & Parts	89	Wheel Arch Molding	45
Rocker Panel Trim	46	Steering Wheels	86-87	Tie Rod End Boot, Poly	97	Wheel Bearing	111
Rocker Panels	11-12	Steering Wheels, Leather/Wood	86	Timing Covers, Plastic/Steel	114	Wheel Bearing Assembly	111
Roof Joint Molding	47	Step Bars	23	Tire Black, ColorBond	79	Wheel Bearing Grease Packer	111
Roof Light Kits, Cab	151	Step Bumper, OE Style	29	Tire Carrier, In-Bed	18	Wheel Bearing Oil Seal	111
Roof Marker Light & Parts	142	Step Pad, Rear Bumper	28-29	Tool Set, Panel & Trim Removal	16	Wheel Center Cap	112-113
RTV Red, LOCTITE	152	Step, Stepside Bed	18	Torsion Bars	94-95	Wheel Cylinder Kit, Brake	100
Rubber Floor Mats	61-62	Stepside Bed Parts	18	Torsion Key Tool	92	Wheel Hubcaps	113
Rubberized Undercoating	152	Stepside Bedside Attachment	18	Tow Hooks	26-27	Wheel Lock Set	110
Running Boards	23	Stereo Equipment	77	Tow Hooks, Chrome	46	Wheel Lug Nuts	112-113
		Stereo, Digital, AM/FM	77	Tow Mirror	48	Wheel Paint, ColorBond	79
		Stock Grilles	38-39	Transfer Case Components	109	Wheel Studs & Lug Nuts	111
S		Stock Grilles, Chevrolet	39	Transfer Case Relay	134	Wheels & Parts	112-113
Sealants & Adhesives	152	Stock Grilles, GMC	38	Transfer Case Shift Switch	137	Window Channel Kit, Door	52,55
Seam Sealer	152	Stop Lamp Switch	78,137	Transmission Control Solenoids	108	Window Glass, Side	24
Seat Belt Hardware	58	Stop Light Relay	134	Transmission Controller, TORC	108	Window Handle	55
Seat Belts	58	Strip Caulk	152	Transmission Cooler Lines	106	Window Handle & Parts	52
Seat Defender	58	Subwoofer, Powered	77	Transmission Dipstick, Chrome	118	Window Handle, Billet	51
Seat Heater Kit	61	Sun Visor & Parts	64	Transmission Filter Kit	108	Window Handles	51
Seat Hog Ring Kit	56	Sun Visor Brackets	64	Transmission Gasket Kit	108	Window Motor, Power	52
Seat Padding Material	56	Sun Visor Sets, Cloth	64	Transmission Kickdown Solenoid	108	Window Regulator, Door	52
Seats, Custom Bench	57	Superwhite Bulbs	30-31,146	Transmission Modulator	108	Window Switch, Power	50,137
Seats, Custom Bucket	57	Suspension Parts	93-96	Transmission Mount, Poly	97	Window Visor Set	36
Self Adjuster Brake Kit	100	Suspension, Front	93-95	Transmission Mounts	115	Windshield & Glass Sealant	152
Sending Unit, Fuel Tank	83-84	Suspension, Rear	96	Transmission Oil Pan	108	Windshield & Parts	24
Serpentine Drive Systems	120	Sway Bar & Parts	95	Transmission Oil Pan, Chrome	118	Windshield Removal Tool	24
Shackle & Parts, Leaf Spring	96	Sway Bar Bracket	95	Transmission Pans, Black	107	Windshield Seal	24
Sheet Metal & Flex Edge Steel	10	Sway Bar Bushing, Poly	97	Transmission Shift Cable	108	Windshield Washer Hose	133
Sheet Metal Plugs	16	Switch Cover	69	Trim Paint, Exterior	79	Windshield Washer Kit	132-133
Shift Lever Knob, Billet	87	Switch Plate	69	Truck Cover	155	Windshield Wiper Parts	133
Shift Lever Parts	87	Switches	114,136-137,142	Truck Cover Lock Kit	155	Wiper Arm Tool	133
Shift Repair Kit	71			Truck Dolly, XHD	92	Wiper Arms	133
Shims, Body Panel Alignment	10	T		Truck Ties, 3-in-1	20	Wiper Blade	133
Shock Absorber, Front	92-95	T-shirts	154	Tube Cutter, Mini	105	Wiper Bowl	14
Shock Absorber, Rear	92,96	Tail Light & Parts	141	Turn Signal Cover, Billet	87	Wiper Delay Module	133
Shock Absorbers	92	Tail Light Assembly	141	Turn Signal Lever	87,137	Wiper Linkage	133
Shock Absorbers, KYB	92-96	Tail Light Connector	141	Turn Signal Switch	137	Wiper Motor & Parts	133
Shock Bracket, Rear	96	Tail Light Covers	150			Wiper Motors & Connector Plug	133
Shock Bushing Sets, Poly	97	Tail Light Filler Set	33	U		Wiper Post Cover Set, Billet	132
Shop Manual, USB	156	Tail Light Lens/Housing	141	U-Bolts, Leaf Spring	96	Wire Loom Installation Tool	131
Shop Manuals	153	Tail Light Set, Custom	149	Underhood Lamp	150	Wire Loom Set	131
Shorty Headers	122	Tailgate	21	Underhood Light	142	Wire Terminal Extractor Tool	134
Shorty Headers, PACE SETTER	122	Tailgate Band	47	Underhood Paint, Black	79	Wiring Grommet Assortment	142
Side Window Deflectors	36	Tailgate Cables	21			Wiring Harness	110
Side Window Frame & Seal	25	Tailgate Cap	20	V		Wiring Harness Retainers	142
Side Window Glass & Parts	24	Tailgate Cap, ABS	20	V-Drive System	120	Wiring Harness, Fuel Tank	81
Side Window Latch	24	Tailgate Component Kit	21	Vacuum Cap Assortment, Rubber	119		
Sidemarker Light & Parts	138,143,147	Tailgate Decal	34	Valance Fog Light Set	32		
Sidemarker Light, Front	138	Tailgate EasyLift	19	Valance, Chrome	32		
Sidemarker Reflector	138	Tailgate Emblem	35	Valance, Paintable	32		
Sidemarker Set, Custom	143,147	Tailgate Guard, Vinyl	20	Valve Cover, Chrome	119		
Signal Flasher	134	Tailgate Handle	21,64	Valve Spring Compressor	114		
Sliding Rear Window Latch	24	Tailgate Handle Relocator Kit	18	Vapor Canister	116		
Sound & Heat Insulation	59	Tailgate Hinges	21	Vehicle Speed Sensor	72		
Sound Control Mat	59	Tailgate Latch & Cable Assembly	21	Vent Cable	69		
Sound Deadener Kit, EVA	59	Tailgate Light, LED	148	Vent Outlets, Dash	67-68		
Spare Tire Carrier, In-Bed	18	Tailgate Mat	22	Vinyl Edge Sealer Pen	152		
Spark Plug Boot Sleeves	124	Tailgate Parts, Fleetside	21	Vision Wheels	112		
Speaker, Stereo	77	Tailgate Parts, Stepside	21	Voltmeter Gauge	72		
Speed Sensor Connector	72	Tailgate Rubber Bumper	21,25				
Spindle Lowering Kit	99	Tailgate Sealer	25	W			
Splash Shields	25	Tailgate Striker Set	21	Washer Jar	133		
Sport Package Door Mirror	48	Tailgate Trunion Set	21	Washer Jar Assembly	133		
Spot Weld Cutter	16	Tailgate, Fleetside	19,21	Washer Nozzles	132		
Spray Adhesive, LOCTITE	61,152	Tailgate, Stepside	18,21	Washer Pump	133		
Starter Relay	134	Temperature Control Units	71	Washer Switches	137		
Starter Repair Kit	132	Temperature Gauge	72	Water Deflector, Air Vent	68,71		
Starter Solenoid	132	Temperature Switch	116	Water Outlet, Chrome	118,130		
Starter Switch, Remote	142						

LMC TRUCK

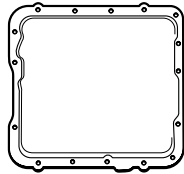
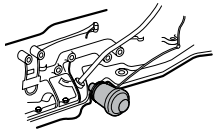
Transmission Identification

TH400, 4L60/TH700R4, 4L60E and 4L80E Transmissions can be identified by the location or absence of the Modulator and by the shape of the transmission pan.

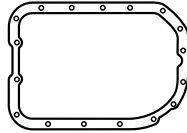
- TH400 - Modulator is located on the side of the transmission case.
- 4L60/TH700R4, 4L60E & 4L80E - Have no modulator.



TH400
Modulator Location

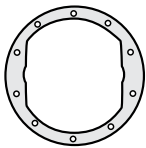


4L60/TH700R4
and 4L60E
Square Pan with
16 Bolts
No Modulator

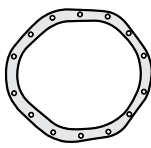


4L80E
Pan with 17 Bolts
No Modulator

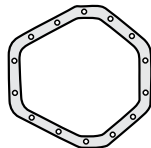
Differential Case Identification



10 Bolt with
8-1/2" Ring Gear



14 Bolt with
9-1/2" Ring Gear



14 Bolt with
10-1/2" Ring Gear

Abbreviations

To help make your ordering easier, here is a list of abbreviations used throughout this catalog.

-R Reman- No Core Charge
-T Ships Truck Freight
4 SPD 4 Speed Manual Transmission
5 SPD 5 Speed Manual Transmission
A.I.R. Air Injection Reactor
A/C OR AC Air Conditioning
AR As Required
ALT Alternator
ASSY Assembly
A/T OR AT Automatic Transmission
AUTO Automatic Transmission
AUX Auxiliary
BAT Battery
BMC Brake Master Cylinder
BRG Bearing
BRKT Bracket
BTM Bottom
C15 2 Wheel Drive 1/2 Ton
C25 2 Wheel Drive 3/4 Ton
CA California Model
COMP Compressor
CORP Corporate
CT Center
CYL Cylinder
DIA Diameter
DIFF Differential

DIST Distributor
EXT CAB Extended Cab
FR Front
FWC Front Wheel Cylinder
GVW Gross Vehicle Weight Rating
HDC Heavy-Duty Cooling
HDR Heavy-Duty Radiator
HP Horse Power
HYD Hydraulic Brakes
ID Inner Diameter
K15 4 Wheel Drive 1/2 Ton
K25 4 Wheel Drive 3/4 Ton
KIT Multiple Pieces
L/R Left/Right
LB Longbed
LH Left Hand (Driver)
LWR Lower
MLDG Molding
M/T OR MT Manual Transmission
OD Outer Diameter
OE Original Equipment
PMP Pump
PNL Panel
PS Power Steering
PWR Power
R.M.C. Rolling Model Change

REINF Reinforced
REMAN Remanufactured
REPRO Reproduction
REQD Required
RH Right Hand (Passenger)
RND Round
RPO Regular Production Option
RR Rear
RSB Rear Standard Bearing
RWC Rear Wheel Cylinder
SB Shortbed
SET Complete Truck Set
SS Stainless Steel
STD Standard
STD CAB Standard Cab
STL Steel
TH400 Turbo Hydramatic Transmission - 400
UPR Upper
VAC Vacuum
W/WO With Or Without
W/ With
W/O Without
WB Wheelbase
WHL Wheel

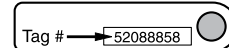
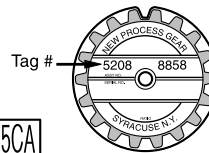


LMC VAN®

Chevrolet & GMC

- 1971-09 Full-Size Van
- Ford**
- 1975-12 Full-Size Van
- Dodge**
- 1971-03 Full-Size Van

Transfer Case Identification



All Transfer Cases have an assembly tag attached to their case. The tag may be a bolted, riveted or screwed on metal tag, or a stick-on paper tag. The Transfer Case must be identified by the assembly number listed on the tag. If your tag number does not appear on the line, it will not fit your truck. See illustration.

LMC TRUCK is in no way affiliated with the General Motors Corporation nor do we intend to imply that. The names General Motors, GMC and Chevrolet are used for reference only.

Applications listed in this catalog are based on original factory information. However, variances will occur due to non-documented substitutions, and changes made during the vehicle's production.

Engine Identification

Vehicle Identification Numbers (VIN) - See Page 10

262 CID 4.3 Liter (VIN Code Z) V6 Engine

1988	2WD 4WD 1/2 ton 3/4 ton	PDK, PDL, PDM, PDN, PDP, PDR, PDS
1989	2WD 4WD 1/2 ton 3/4 ton	TFD, TFF, TFJ, TFK, TFP, TFR, TFS
1990	2WD 4WD 1/2 ton 3/4 ton	UTA, UTB, UTC, UTD, UTF, UTH, UTJ, UTK, UTL
1991	2WD 4WD 1/2 ton 3/4 ton	FKA, FKB, FKC, FKD, FKF, FKH, FKL, FKN, FKR, FLF, FLJ
1992	2WD 4WD 1/2 ton 3/4 ton	XAB, XAC, XAD, XAF, XAH, XAJ, XAK, XAL, XAN, XAT, XAU
1993	2WD 4WD 1/2 ton 3/4 ton	AAB, AAC, AAD, AAF, AAH, AAJ, AAK, AAL, AAN, AAP, AAS, AAT
1994	2WD 4WD 1/2 ton 3/4 ton	TAB, TAC, TAF, TAJ, TAK, TAL, TAP, TAS, TAT, TAU
1995	2WD 4WD 1/2 ton 3/4 ton	AAB, AAC, AAF, AAJ, AAL, AAK, AAP, AAS, AAW

262 CID 4.3 Liter (VIN Code W) V6 Engine

1996	2WD 4WD 1/2 ton	UAL, UAA, UAD, UAC
1997	2WD 4WD 1/2 ton	TAA, TAB, TAC, TAD
1998	2WD 4WD 1/2 ton	AAA, AAB, AAC, AAD

305 CID 5.0 Liter (VIN Code H) V8 Engine

1988	2WD 4WD 1/2 ton 3/4 ton	PNH, PNL, PNM
1989	2WD 4WD 1/2 ton 3/4 ton	TWA, TWB
1990	2WD 4WD 1/2 ton 3/4 ton	ULC, ULD
1991	2WD 4WD 1/2 ton 3/4 ton	FCA, UYA
1992	2WD 4WD 1/2 ton 3/4 ton	TBA, TJA
1993	2WD 4WD 1/2 ton 3/4 ton	UDA, UDB, UDD
1994	2WD 4WD 1/2 ton 3/4 ton	FKB, FKC, FKA
1995	2WD 4WD 1/2 ton 3/4 ton	PAA, PAC

305 CID 5.0 Liter (VIN Code M) V8 Engine

1996	2WD 4WD 1/2 ton 2WD 3/4 ton	XNA, XNC
1997	2WD 4WD 1/2 ton 2WD 3/4 ton	FHB, FHC
1998	2WD 4WD 1/2 ton 2WD 3/4 ton	PAB, PJK

350 CID 5.7 Liter (VIN Code K) V8 Engine

1988	2WD 4WD 1/2 ton 3/4 ton	D7T, D7U, D7W, D7X, PJC, PJF, PJJ, PJJ
1989	2WD 4WD 1/2 ton 3/4 ton	TPA, TPC, TPD, TPF, U4A, U4B, U4C, U4D
1990	2WD 4WD 1/2 ton 3/4 ton	UPK, UPL, UPM, UPN, U7H, U7J, U7K, U7N
1991	2WD 4WD 1/2 ton 3/4 ton	FJA, FJB, FJU, FJZ, FND, UZA, UZB, UZN, U8B, U8C, U8P
1992	2WD 4WD 1/2 ton 3/4 ton	TDK, TFA, TFB, TFC, TFD, TFF, TKA, TKB, TKD, TKF, TND, TNF, TPA
1993	2WD 4WD 1/2 ton 3/4 ton	UKA, UKB, UKC, UKD, UKF, UKH, UKJ, UKK, UKL, UKN, UKP, UMA, UMB, UMC, UMF
1994	2WD 4WD 1/2 ton 3/4 ton	FSD, FSH, FSL, FSS, FST, FTC, FTK, FTL, FTN, FSB, FSJ, FSN, FSP, FSA, FSC, FSK
1995	2WD 4WD 1/2 ton 3/4 ton	PHA, PHB, PHD, PJB, PHF, PJA, PJC, PNC, PJF, PKA, PKB, PKC

350 CID 5.7 Liter (VIN Code R) V8 Engine

1996	2WD 4WD 1/2 ton 3/4 ton	XJA, XKB, XJF, XKH, XKL, XKP, XKS, XKT, XKU
1997	2WD 4WD 1/2 ton 3/4 ton	FKA, FKB, FKF, FLA, FLD, FMA, FMB, FMC, FMD, FJA, FJB
1998	2WD 4WD 1/2 ton 3/4 ton	PCA, PCB, PCF, PCH, PDC, PDF, PPA, PPB, PPC, PHX, PJN, PJP

454 CID 7.4 Liter (VIN Code N) V8 Engine

1990	2WD 1/2 ton	FCH, FCJ, FCK, FCL, FCN
1991	2WD 1/2 ton	PCH, PCJ, PCK, PCL, PCN, PCS, PCT, PDH, PDJ, PDK, PDL
1992	2WD 1/2 ton 2WD 4WD 3/4 ton	TCH, TCJ, TCK, TCL, TCN, TCS, TCT, TDH, TDJ, TDK, TDL
1993	2WD 1/2 ton 2WD 4WD 3/4 ton	UCH, UCJ, UCK, UCL, UCN, UCS, UCT, UDH, UDJ, UDK, UDL
1994	2WD 1/2 ton 2WD 4WD 3/4 ton	FCH, FCJ, FCS, FCT, FDH, FDJ, FCK, FCL, FDK, FDL
1995	2WD 1/2 ton 2WD 4WD 3/4 ton	PCH, PCL, PCK, PCY, PCS, PCT, PDH, PHJ, PDK, PDL, PDJ

454 CID 7.4 Liter (VIN Code J) V8 Engine

1996	2WD 4WD 3/4 ton	XCH, XCL, XCK, XCJ, XCS, XCT, XDH, XDJ
1997	2WD 4WD 3/4 ton	FCH, FCJ, FCK, FCL, FCS, FCT, FDH, FDJ, FDK, FDL, FCY, FDY, FCX, FDX
1998	2WD 4WD 3/4 ton	PCN, PCJ, PCK, PCY, PCS, PDH, PCL, PDK, PDJ, PDY, PDL

379 CID 6.2 Liter Diesel (VIN Code C) V8 Engine

1988	2WD 4WD 1/2 ton 3/4 ton	DCA, DCC, DCD, DCF, DCH, DCK, DCL, DCM
1989	2WD 4WD 1/2 ton 3/4 ton	HCH, HCK, HCL, HCM
1990	2WD 4WD 1/2 ton 3/4 ton	JCH, JCK, JCL, JCM
1991	2WD 4WD 1/2 ton 3/4 ton	DCH, DCK, DCL, DCM
1992	2WD 4WD 1/2 ton 3/4 ton	YMA, YMB, YMC, YMD
1993	2WD 4WD 1/2 ton 3/4 ton	YTA, YTB, YTC, YTD

379 CID 6.2 Liter Diesel (VIN Code J) V8 Engine

1988	2WD 4WD 3/4 ton	DES, DKE, DKG, DKJ, DKK, DKL, DKN, DKP, DKR, DKS, DKT
1989	2WD 4WD 3/4 ton	HKE, HKK, HKR, HKS, HKT, HKU
1990	2WD 4WD 3/4 ton	JKE, JKK, JKR, JKS, JKT, JKU, YAA, YAB, YAC, YAD, YAF, YAH
1991	2WD 4WD 3/4 ton	DKE, DKK, DKR, DKS, DKT, DKU, YBA, YBB, YBC, YBD, YBF, YBH
1992	2WD 4WD 3/4 ton	YMF, YMH, YMJ, YMK, YML, YNA, YNB, YNC, YND, YNF, YNH, YNJ
1993	2WD 4WD 3/4 ton	YUA, YUB, YUC, YUD, YUF, YUH, YUT, YUK, YUL, YWA, YWB, YWC

396 CID 6.5 Liter Turbo Diesel (VIN Code F) V8 Engine

1992	2WD 4WD 3/4 ton	YJM, YJP, YJN, YJS, YJF, YJH, YJJ, YJK
1993	2WD 4WD 3/4 ton	YXA, YXB, YXC, YXD, YXF, YXH, YXJ, YXK
1994	2WD 4WD 3/4 ton	YYF, YYH, YYJ, YYK, YTF, YTH, YTJ, YTK
1995	2WD 4WD 3/4 ton	YZC, YZF, YZJ, YZK
1996	2WD 4WD 1/2 ton 3/4 ton	YBB, YBD, YBC, YBF
1997	2WD 4WD 1/2 ton 3/4 ton	YCB, YCC, YCD, YCF, YHB, YHD, YHC, YHF
1998	2WD 4WD 1/2 ton 3/4 ton	YDB, YDD, YDC, YDF

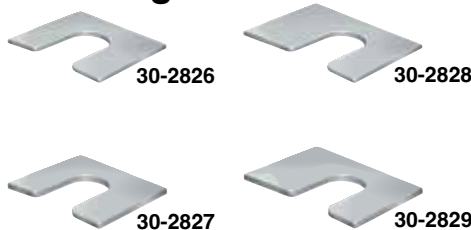
396 CID 6.5 Liter Diesel (VIN Code P) V8 Engine

1994	2WD 4WD 1/2 ton 3/4 ton	YYA, YYB
1995	2WD 4WD 1/2 ton 3/4 ton	YXP, YXN

396 CID 6.5 Liter Turbo Diesel (VIN Code S) V8 Engine

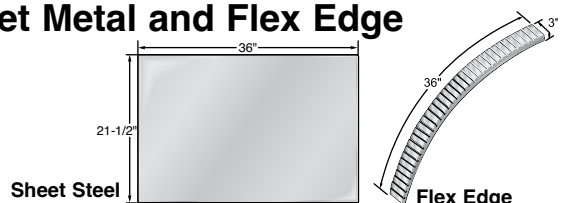
1994	2WD 4WD 1/2 ton 3/4 ton	YYD
1995	2WD 4WD 1/2 ton 3/4 ton	YZA
1996	2WD 4WD 1/2 ton 3/4 ton	YBA
1997	2WD 4WD 1/2 ton 3/4 ton	YCA, YHA
1998	2WD 4WD 1/2 ton 3/4 ton	YDL, YDA

Body Panel Alignment Shims



PART	DESCRIPTION	PRICE
30-2826	SHIM 1/16" THICK 3/8" SLOT	\$1.45
30-2827	SHIM 1/8" THICK 3/8" SLOT	\$1.45
30-2828	SHIM 1/16" THICK 1/2" SLOT	\$1.45
30-2829	SHIM 1/8" THICK 1/2" SLOT	\$1.45

Sheet Metal and Flex Edge



PART	DESCRIPTION	PRICE
38-7772	STEEL-36" X 43" 20GA	\$37.95*
38-7773	STEEL-36"X21-1/2" 20GA	\$20.95
38-7897	FLEX EDGE-3/4"X36"X3" 22GA	\$9.95

* Or ** after the sell price means your order will incur an Oversize Part Charge for each oversized part. * Means extra charge will be \$20. ** Means extra charge will be \$50. Due to packing and/or transportation requirements, please allow additional time for delivery. Oversized Parts are not available for air delivery.

1988-98 Vehicle ID Number (VIN)

The VIN plate is mounted on the driver's side of the instrument panel and is visible through the windshield.

1GC D C 1 4 K X J Z 10001

Division/Make	1 = United States 2 = Canada GC = Chevrolet GT = GMC																														
GVW Range & Brake System	D = 5001-6000 Hydraulic E = 6001-7000 Hydraulic F = 7001-8000 Hydraulic G = 8001-9000 Hydraulic H = 9001-10,000 Hydraulic																														
Line Description & Chassis Type	C = 2 Wheel Drive K = 4 Wheel Drive																														
Series	1 = 1/2 Ton 2 = 3/4 Ton 3 = 1 Ton																														
Body Type	3 = Crew Cab 4 = 2 Door Cab 9 = Extended Cab																														
Engine Description	<table border="0"> <tr> <td>1988-89</td> <td>1990-91</td> </tr> <tr> <td>C = 6.2L V8 Diesel</td> <td>C = 6.2L V8 Diesel</td> </tr> <tr> <td>H = 305 V8</td> <td>H = 305 V8</td> </tr> <tr> <td>J = 6.2L V8 Diesel</td> <td>J = 6.2L V8 Diesel</td> </tr> <tr> <td>K = 350 V8</td> <td>K = 350 V8</td> </tr> <tr> <td>Z = 262 V6</td> <td>N = 454 V8</td> </tr> <tr> <td></td> <td>Z = 262 V6</td> </tr> </table> <table border="0"> <tr> <td>1992-93</td> <td>1994-95</td> </tr> <tr> <td>C = 6.2L V8 Diesel</td> <td>F = 6.5L V8 Turbo Diesel</td> </tr> <tr> <td>F = 6.5L V8 Turbo Diesel</td> <td>H = 305 V8</td> </tr> <tr> <td>H = 305 V8</td> <td>K = 350 V8</td> </tr> <tr> <td>J = 6.2L V8 Diesel</td> <td>N = 454 V8</td> </tr> <tr> <td>K = 350 V8</td> <td>P = 6.5L V8 Diesel</td> </tr> <tr> <td>N = 454 V8</td> <td>S = 6.5L V8 Turbo Diesel</td> </tr> <tr> <td>Z = 262 V6</td> <td>Z = 262 V6</td> </tr> </table>	1988-89	1990-91	C = 6.2L V8 Diesel	C = 6.2L V8 Diesel	H = 305 V8	H = 305 V8	J = 6.2L V8 Diesel	J = 6.2L V8 Diesel	K = 350 V8	K = 350 V8	Z = 262 V6	N = 454 V8		Z = 262 V6	1992-93	1994-95	C = 6.2L V8 Diesel	F = 6.5L V8 Turbo Diesel	F = 6.5L V8 Turbo Diesel	H = 305 V8	H = 305 V8	K = 350 V8	J = 6.2L V8 Diesel	N = 454 V8	K = 350 V8	P = 6.5L V8 Diesel	N = 454 V8	S = 6.5L V8 Turbo Diesel	Z = 262 V6	Z = 262 V6
1988-89	1990-91																														
C = 6.2L V8 Diesel	C = 6.2L V8 Diesel																														
H = 305 V8	H = 305 V8																														
J = 6.2L V8 Diesel	J = 6.2L V8 Diesel																														
K = 350 V8	K = 350 V8																														
Z = 262 V6	N = 454 V8																														
	Z = 262 V6																														
1992-93	1994-95																														
C = 6.2L V8 Diesel	F = 6.5L V8 Turbo Diesel																														
F = 6.5L V8 Turbo Diesel	H = 305 V8																														
H = 305 V8	K = 350 V8																														
J = 6.2L V8 Diesel	N = 454 V8																														
K = 350 V8	P = 6.5L V8 Diesel																														
N = 454 V8	S = 6.5L V8 Turbo Diesel																														
Z = 262 V6	Z = 262 V6																														
1996-98	F = 6.5L V8 Turbo Diesel J = 454 V8 M = 305 V8 R = 350 V8 S = 6.5L V8 Turbo Diesel W = 262 V6																														
Check Digit																															
Model Year	J = 1988 R = 1994 K = 1989 S = 1995 L = 1990 T = 1996 M = 1991 V = 1997 N = 1992 W = 1998 P = 1993																														
Plant Code	E = Pontiac, MI F = Flint, MI Z = Fort Wayne, IN 1 = Oshawa, Ontario																														
Production Assembly Sequence Number																															

1988-98 Truck History

- 1988** Totally redesigned trucks were lower, longer, more aerodynamic and were engineered for driving comfort while providing all the latest convenience features. The exterior was 3-1/2" narrower but featured more leg and shoulder room. Larger, flush mounted glass provided a 33% increase in viewing area than previous pickups. Stepside models were only offered on 1/2 ton standard cab shortbed configurations with rear fenders made of fiberglass panels with functional steps on the front and rear of the fender. Extended cab was optional for the first time on Fleetside models. Bed was a one-piece welded unit. Three trim levels were offered for Chevrolet: Cheyenne, Scottsdale and Silverado. GMC trim levels were base, SLX and SLE. 4WD trucks had independent front suspension with torsion bar springs. Insta-Trac 4WD system shift-on-the-fly allowed shifting from 2WD to 4WD high at any speed. Standard engine was a 4.3L V6. All gas engines featured throttle body fuel injection.
- 1989** Fleetside Sport appearance package included body color grille and bumpers, chrome plated wheels, fog lights and sport graphics. GMC Sport model was named the Sierra GT. Z71 off-road package featured engine, front differential and transmission skid plates with Bilstein shocks.
- 1990** 454SS 2WD 1/2 ton standard cab, shortbed debuted in Onyx Black with Silverado trim. This limited edition truck was equipped with 230 horsepower and 385 lb.-ft of torque, Turbo 400 transmission, performance handling package and a 3.73 rear axle ratio. Work Truck (W/T) also introduced as a low option regular cab longbed in standard Cheyenne trim with a new grille and black bumpers. 2WD and 4WD versions were offered.
- 1991** 7.4L engine was revised to increase its reliability and fuel economy. The 4L80E, a new 4-speed automatic electronic overdrive transmission, was available on heavy-duty models. Other options included a tachometer, high back reclining bucket seats and a bedliner.
- 1992** Stepside models were available with extended cabs. New exterior colors for the 454SS model were red and white. 4-speed manual transmission was dropped. 6.5L Diesel engine available with turbocharger.
- 1993** Sportside Sport included body color grille, side mirrors, front and rear bumpers, and cast aluminum wheels. Scottsdale trim level dropped. All models featured an anti-chip coating applied to the leading edges of the hood, roof and A-pillars. 4.3L engine received a new balance shaft and revised cylinder heads with improved flow. Hydra-Matic 4L60E 4-speed electronic overdrive automatic transmission available for trucks under 8,500 lb. GVW. Last year for the 454SS.
- 1994** Chevy and GMC grilles received updates. Guard beams added to both front doors for safety. Third brake light added to cargo light on roof. Air conditioning system switched to R134A. Base model GMC renamed SL and upgraded SLT trim was added. 6.2L Diesel engine dropped.
- 1995** 4-wheel ABS and driver side airbag were standard. Interior was restyled and the audio system was improved. Remote keyless entry was optional.
- 1996** All engines were reengineered; Vortec designation was extended to all gas engines. 4.3L, 5.0L and 5.7L engines were equipped with central sequential fuel injection. 7.4L featured multi-point fuel injection. High-flow cylinder heads, higher compression ratio, roller valve lifters and new camshafts contributed to 30% more horsepower and 10% more torque improvement. Diesel engine only available with turbocharger. OBDII debuted. NP1 electric shift transfer case was available, eliminating the floor-mounted shifter. Daytime running lamps standard. Third door on passenger side was optional.
- 1997** Passenger side airbag standard on all models under 8,600 lb. GVW. Electronic speed sensitive power steering system introduced. 4L60E and 4L80E transmissions were tweaked for smoother operation and greater efficiency.
- 1998** OnStar system became a dealer-installed option. Passlock theft-deterrent system added.

Steel Body Panels and What to Expect

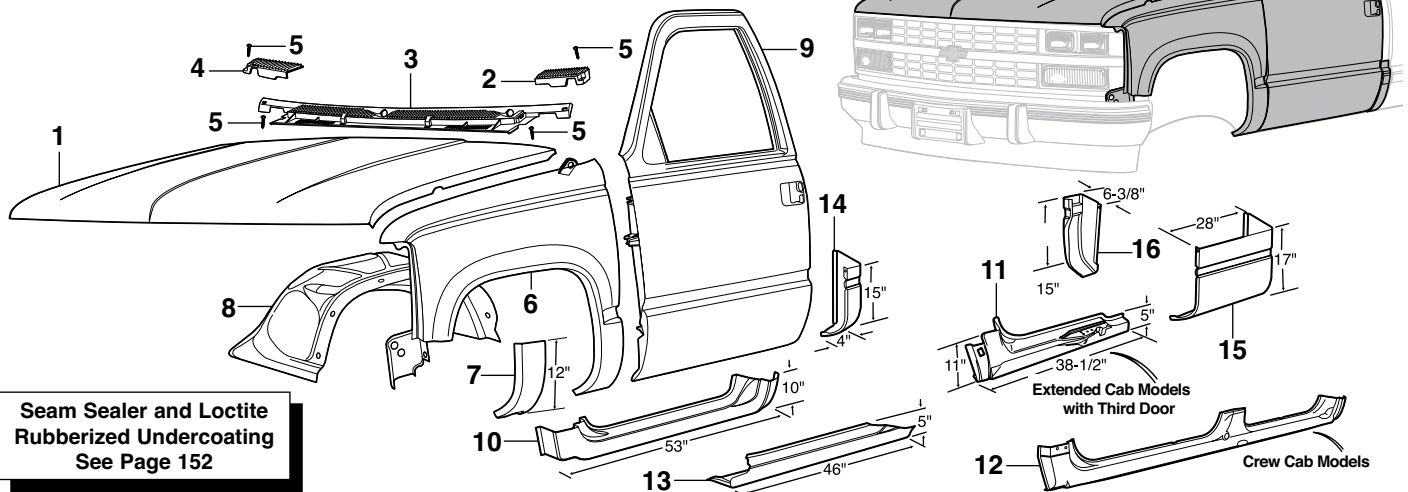
All sheet metal is inspected before it is shipped and careful steps are taken to package parts so there is no damage during shipping. Due to the nature of the product, sheet metal is easily damaged and scratches, dents, dings and other imperfections are normal and not considered damaged. These kinds of imperfections should be expected and can be easily fixed during installation and the paint preparation, sanding and priming stages of your restoration. It is recommended you inspect all sheet metal that is delivered before the delivery driver leaves. Test fitting of all panels before installation is recommended and the use of alignment shims and other adjustments during the install may be required.

* Or ** after the sell price means your order will incur an Oversize Part Charge for each oversized part. * Means extra charge will be \$20. ** Means extra charge will be \$50. Due to packing and/or transportation requirements, please allow additional time for delivery. Oversized Parts are not available for air delivery.

-T After a part number means that part must be shipped Truck Freight. An additional \$150.00 will be charged to your order for delivery in the 48 contiguous United States. Orders outside of the 48 states will be quoted. Additional delivery time required.

Front Steel Body Parts

1988-98 Chevy & GMC Truck



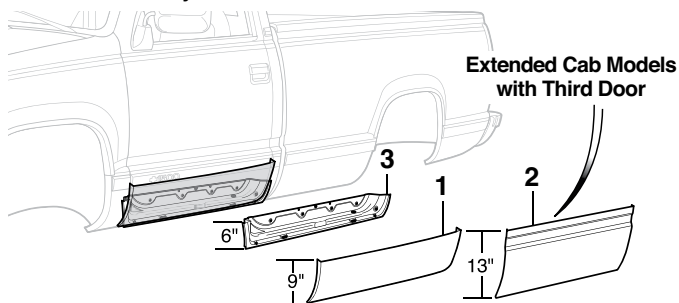
**Seam Sealer and Loctite
Rubberized Undercoating
See Page 152**

PART	ILL#	DESCRIPTION	APPLICATION	REQD	PRICE
39-9610-T	(1)	HOOD	CHEVY GMC 88-98	(1)	\$169.95
39-7530	(2)	COWL PANEL-LH	CHEVY GMC 88-98	(1)	\$15.95
39-7532	(3)	COWL PANEL-CENTER	CHEVY GMC 88-98	(1)	\$89.95*
39-7533	(4)	COWL PANEL-RH	CHEVY GMC 88-98	(1)	\$15.95
31-0511	(5)	SCREW-COWL PANEL-LONG	CHEVY GMC 88-98 (AR)		\$.85
40-0470-C		SCREW-COWL PANEL-SHORT	CHEVY GMC 88-98 (AR)		\$.65
39-9616-T	(6)	FRONT FENDER-LH	CHEVY GMC 88-98	(1)	\$84.95
39-9617-T		FRONT FENDER-RH	CHEVY GMC 88-98	(1)	\$84.95
39-7846	(7)	REPAIR PANEL-REAR-LOWER-LH	CHEVY GMC 88-98	(1)	\$29.95
39-7847		REPAIR PANEL-REAR-LOWER-RH	CHEVY GMC 88-98	(1)	\$29.95
39-7662	(8)	INNER FENDER-LH-PRIMED	CHEVY GMC 88-98	(1)	\$39.95*
39-7663		INNER FENDER-RH-PRIMED	CHEVY GMC 88-98	(1)	\$39.95*
39-9618-T	(9)	DOOR SHELL-LH	CHEVY GMC 88-98	(1)	\$209.95
39-9619-T		DOOR SHELL-RH	CHEVY GMC 88-98	(1)	\$219.45
39-9634	(10)	OUTER ROCKER PANEL-LH	CHEVY GMC 88-98	(1)	\$32.75
39-9635		OUTER ROCKER PANEL-RH "A"	CHEVY GMC 88-98	(1)	\$37.95
39-9687	(11)	OUTER ROCKER PNL-RH-REAR"B"	CHEVY GMC 96-98	(1)	\$70.95
39-9624	(12)	OUTER ROCKER PANEL-LH	CREW CAB 92-98	(1)	\$134.95**
39-9625		OUTER ROCKER PANEL-RH	CREW CAB 92-98	(1)	\$134.95**
39-9636	(13)	ROCKER PANEL-LH-SLIP ON	CHEVY GMC 88-98	(1)	\$24.95
39-9637		ROCKER PANEL-RH-SLIP ON "A"	CHEVY GMC 88-98	(1)	\$24.95
39-9640	(14)	CAB CORNER-LH STD CAB	CHEVY GMC 88-98	(1)	\$12.95
39-9641		CAB CORNER-RH STD CAB	CHEVY GMC 88-98	(1)	\$12.95
39-9642	(15)	CAB CORNER-LH EXT CAB	CHEVY GMC 88-98	(1)	\$29.95
39-9643		CAB CORNER-RH EXT CAB "A"	CHEVY GMC 88-98	(1)	\$29.95
39-9653	(16)	CAB CORNER-RH EXT CAB "B"	CHEVY GMC 96-98	(1)	\$22.75

Note: "A" Does not fit trucks with passenger side third door.
"B" Fits RH side on models with optional third door.

Front Body Patch Panels

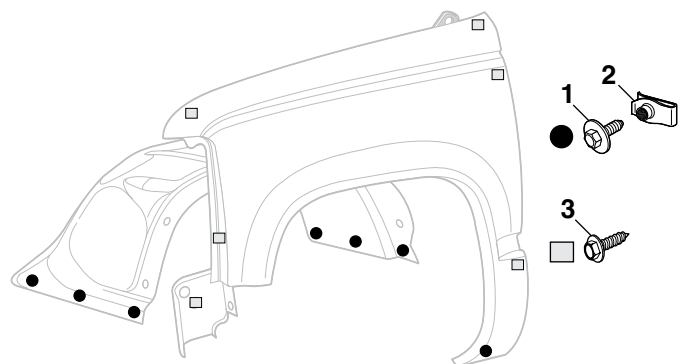
1988-98 Chevy & GMC Truck



PART	ILL#	DESCRIPTION	APPLICATION	REQD	PRICE
39-6410	(1)	DOOR SKIN-LH-9" HIGH	CHEVY GMC 88-98	(1)	\$24.95
39-6411		DOOR SKIN-RH-9" HIGH	CHEVY GMC 88-98	(1)	\$24.95
39-6415	(2)	DOOR SKIN-RH-LOWER 3RD DOOR	CHEVY GMC 96-98	(1)	\$56.95
39-6408	(3)	DOOR BOTTOM-INNER-FRONT-LH	CHEVY GMC 88-98	(1)	\$54.95
39-6409		DOOR BOTTOM-INNER-FRONT-RH	CHEVY GMC 88-98	(1)	\$54.95

Front Fender Hardware

1988-98 Chevy & GMC Truck



PART	ILL#	DESCRIPTION	APPLICATION	REQD	PRICE
29-0291	(1)	BOLT-FRONT FENDER	CHEVY GMC 88-98	(26)	\$1.25
40-0915-C	(2)	NUT-FRONT FENDER	CHEVY GMC 88-98	(26)	\$.95
31-0262	(3)	BOLT-FRONT FENDER	CHEVY GMC 88-98	(12)	\$.95

Steel Body Panels and What to Expect

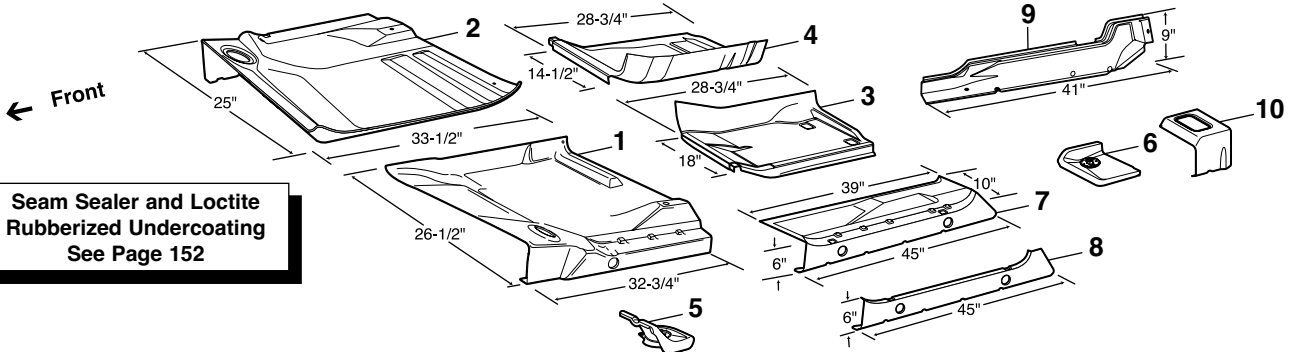
All sheet metal is inspected before it is shipped and careful steps are taken to package parts so there is no damage during shipping. Due to the nature of the product, sheet metal is easily damaged and scratches, dents, dings and other imperfections are normal and not considered damaged. These kinds of imperfections should be expected and can be easily fixed during installation and the paint preparation, sanding and priming stages of your restoration. It is recommended you inspect all sheet metal that is delivered before the delivery driver leaves. Test fitting of all panels before installation is recommended and the use of alignment shims and other adjustments during the install may be required.

* Or ** after the sell price means your order will incur an Oversize Part Charge for each oversized part. * Means extra charge will be \$20. ** Means extra charge will be \$50. Due to packing and/or transportation requirements, please allow additional time for delivery. Oversized Parts are not available for air delivery.

Steel Cab Repair Panels

1988-98 Chevy & GMC Truck

**Left Hand (LH) & Right Hand (RH)
Means as You Sit Facing Forward in the Vehicle**



**Seam Sealer and Loctite
Rubberized Undercoating
See Page 152**

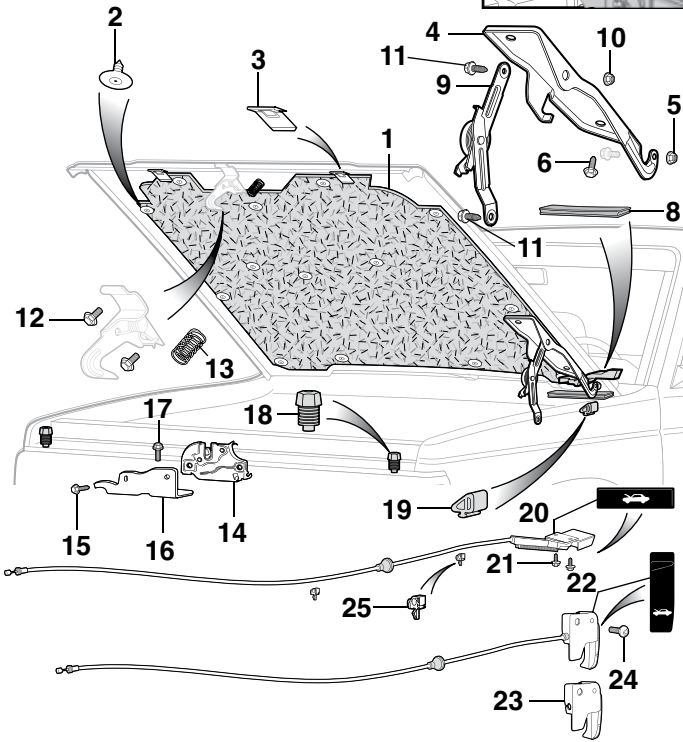
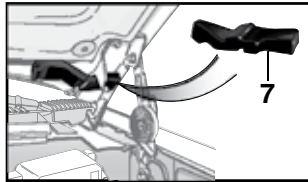
PART	ILL#	DESCRIPTION	APPLICATION	REQD	PRICE
39-9602	(1)	CAB FLOOR HALF-LH COMPLETE	CHEVY GMC 88-98	(1)	\$127.95
39-9603	(2)	CAB FLOOR HALF-RH COMPLETE	CHEVY GMC 88-98	(1)	\$127.95
39-9622	(3)	CAB FLOOR HALF-LH PARTIAL	CHEVY GMC 88-98	(1)	\$37.95
39-9623	(4)	CAB FLOOR HALF-RH PARTIAL	CHEVY GMC 88-98	(1)	\$37.95
39-9630	(5)	FRONT CAB MOUNT-SUPPORT-LH	CHEVY GMC 88-98	(1)	\$34.95
39-9631		FRONT CAB MOUNT-SUPPORT-RH	CHEVY GMC 88-98	(1)	\$34.95
39-9758	(6)	REAR CAB MOUNT-SUPPORT-LH	CHEVY GMC 88-98	(1)	\$39.95
39-9759		REAR CAB MOUNT-SUPPORT-RH	CHEVY GMC 88-98	(1)	\$39.95
39-9628	(7)	OTR FLOOR SEC W/ROCKR-LH	CHEVY GMC 88-98	(1)	\$69.95*
39-9629		OTR FLOOR SEC W/ROCKR-RH**A	CHEVY GMC 88-98	(1)	\$64.95*

PART	ILL#	DESCRIPTION	APPLICATION	REQD	PRICE
39-9632	(8)	INNER ROCKER PANEL-LH	CHEVY GMC 88-98	(1)	\$24.95
39-9633		INNER ROCKER PANEL-RH	"A" CHEVY GMC 88-98	(1)	\$24.95
39-9638	(9)	INNER CAB CORNER-LH	EXT CAB 88-98	(1)	\$63.45
39-9639		INNER CAB CORNER-RH	"A" EXT CAB 88-98	(1)	\$63.45
39-9658	(10)	INNER CAB CORNER-LH	STD CAB 88-98	(1)	\$67.95
39-9659		INNER CAB CORNER-RH	STD CAB 88-98	(1)	\$67.95

Note: "A" Does not fit trucks with passenger side third door.

Hood Components

1988-98 Chevy & GMC Truck



PART	ILL#	DESCRIPTION	APPLICATION	REQD	PRICE
38-7511	(1)	HOOD INSULATOR	CHEVY GMC 88-98	(1)	\$44.95
39-7500		HOOD INSULATOR-MOLDED	5.7L 7.4L 88-98	(1)	\$257.95**
29-0842	(2)	RETAINER-INSULATOR	CHEVY GMC 88-98	(20)	\$.95
31-1353	(3)	RETAINER-INSULATOR	CHEVY GMC 88-98	(2)	\$1.95
31-3636	(4)	HOOD HINGE BRACKET-LH	CHEVY GMC 88-98	(1)	\$7.95
31-3637		HOOD HINGE BRACKET-RH	CHEVY GMC 88-98	(1)	\$7.95
31-0878	(5)	NUT-HINGE PIVOT	CHEVY GMC 88-98	(2)	\$.65
31-0262	(6)	BOLT-HINGE	CHEVY GMC 88-98	(4)	\$.95
31-1874	(7)	HOOD HINGE SEAL-LH	CHEVY GMC 88-95	(1)	\$9.95
31-1875		HOOD HINGE SEAL-RH	CHEVY GMC 88-95	(1)	\$9.95
31-1876	(8)	HOOD HINGE SEAL	CHEVY GMC 96-98	(2)	\$7.95
31-3102	(9)	HOOD HINGE SPRING-LH	CHEVY GMC 88-98	(1)	\$12.95
31-3103		HOOD HINGE SPRING-RH	CHEVY GMC 88-98	(1)	\$12.95
31-0878	(10)	NUT-HINGE SPRING	CHEVY GMC 88-98	(2)	\$.65
31-0262	(11)	BOLT-HINGE SPRING	CHEVY GMC 88-98	(4)	\$.95
30-0976	(12)	BOLT-CATCH	CHEVY GMC 88-98	(2)	\$1.25
38-7533	(13)	SPRING	CHEVY GMC 88-98	(1)	\$2.95
38-7530	(14)	HOOD LATCH	CHEVY GMC 88-98	(1)	\$9.95
29-0291	(15)	BOLT-LATCH	CHEVY GMC 88-98	(2)	\$1.25
30-1573	(16)	BRACKET-LATCH	CHEVY GMC 88-98	(1)	\$7.95
31-0262	(17)	BOLT-BRACKET	CHEVY GMC 88-98	(2)	\$.95
30-1826	(18)	HOOD BUMPER-FRONT	CHEVY GMC 88-98	(2)	\$1.95
31-1842	(19)	HOOD BUMPER-SIDE	CHEVY GMC 88-98	(2)	\$3.95
31-1450	(20)	HOOD RELEASE CABLE ASSEMBLY	CHEVY GMC 88-94	(1)	\$29.95
30-0454	(21)	SCREW	CHEVY GMC 88-98	(2)	\$.95
31-1451	(22)	HOOD RELEASE CABLE ASSEMBLY	CHEVY GMC 95-98	(1)	\$14.95
31-1452	(23)	HANDLE	CHEVY GMC 95-98	(1)	\$6.95
31-0201	(24)	SCREW	CHEVY GMC 95-98	(1)	\$7.25
29-0838	(25)	CLIP-CABLE	CHEVY GMC 88-98	(2)	\$6.39

Billet Hood Hinge Sets

1988-98 Chevy & GMC Truck



30-3907-BL
Black

Transform the look underneath your hood with this Billet Aluminum Hood Hinge Set. Designed to replace stock stamped steel hood hinges, they are CNC machined to perfection in the USA from 6061-T6 billet aluminum. These billet hinges feature nitrogen filled gas struts and sealed ball bearings at all pivot points for smooth and reliable operation. Bolt-on design fits the factory mounting holes with the included stainless steel hardware. Available in Matte Black and Polished finish.



30-3907-PL
Polished

PART	DESCRIPTION	APPLICATION	REQD	PRICE	PART	DESCRIPTION	APPLICATION	REQD	PRICE
30-3907-BL	BILLET HOOD HINGE SET-BLACK	CHEVY GMC 88-98	(1)	\$545.00	30-3907-PL	BILLET HOOD HINGE SET-POLISHED	CHEVY GMC 88-98	(1)	\$545.00

Cowl Induction Steel Hoods ... Give Your Truck a High Performance Look

Cowl Induction Steel Hood helps cool the engine for increased airflow and increased performance.

-T after a part number means that part must be shipped Truck Freight. An additional \$150.00 will be charged to your order for delivery in the 48 contiguous United States. Orders outside of the 48 states will be quoted. Additional delivery time required.

The outside cold fresh air carries a denser air/fuel mixture to an engine's combustion chambers than the warm underhood air. Hoods are made from primed high-quality steel with full inner frame that reuses original factory latch and hinges for an easy bolt-on application and must be painted.



39-9601-T
Single Cowl Hood
4" Rise

PART	DESCRIPTION	APPLICATION	REQD	PRICE
39-9601-T	COWL HOOD-SINGLE 4" RISE	88-98	(1)	\$379.95



39-9611-T
Single Cowl Hood
2" Rise

PART	DESCRIPTION	APPLICATION	REQD	PRICE
39-9611-T	COWL HOOD-SINGLE 2" RISE	88-98	(1)	\$329.95



39-9613-T
Dual Cowl Hood
with Ram Air Look

PART	DESCRIPTION	APPLICATION	REQD	PRICE
39-9613-T	COWL HOOD-RAM AIR LOOK 2" RISE DUAL	88-98	(1)	\$649.95



39-9615-T
Single Cowl Hood
with Ram Air Look

PART	DESCRIPTION	APPLICATION	REQD	PRICE
39-9615-T	COWL HOOD-RAM AIR LOOK 2" RISE SINGLE	88-98	(1)	\$369.95

Cowl Induction Emblem Set



Emblems attach with push nuts and adhesive tape, included. Holes will need to be drilled for installation.

PART	DESCRIPTION	REQD	PRICE
38-3698	EMBLEM SET "COWL INDUCTION" 4PC	(1)	\$16.55



39-9606-T
Single Cowl Hood

PART	DESCRIPTION	APPLICATION	REQD	PRICE
39-9606-T	COWL HOOD-SINGLE 2" RISE	88-98	(1)	\$399.95

ABS Hood Insulation Kits



39-2277



39-2278

GM Official Licensed Product is purchased from an authorized GM Licensee.

Heat-resistant textured ABS Hood Insulation Kit covers up the underside of your hood and is available with or without officially licensed logo. Each kit includes pre-cut foil-backed insulation material, 14 oz. spray adhesive, 1 roll of aluminum tape, center punch, drill sleeve, mounting hardware and illustrated instructions. Drilling may be required on models not originally equipped with hood insulation. Models with underhood light will need to modify the hood insulator for reinstallation.

ABS Hood Insulation Kits Do Not Fit Cowl Induction Hoods

PART	DESCRIPTION	APPLICATION	REQD	PRICE
39-2276	ABS HOOD INSULATION KIT-PLAIN	CHEVY GMC 88-98	(1)	\$199.95
39-2277	ABS HOOD INSULATION KIT-CHEVY	CHEVY 88-98	(1)	\$279.95
39-2278	ABS HOOD INSULATION KIT-GMC	GMC 88-98	(1)	\$279.95

Hair Pin Style Hood Pin Set



30-2550



30-2551

PART	DESCRIPTION	PRICE
30-2550	HAIR PIN STYLE HOOD PIN SET	\$9.95
30-2551	HAIR PIN SET-CHROME 2PC	\$3.95

Wiper Cowl ... For the Hottest Look



37-7855

Replace that factory black grate between the hood and windshield with this simple urethane wiper cowl, making the hood flow all the way to the windshield. Comes complete with wiper and washer relief holes.

PART	DESCRIPTION	APPLICATION	REQD	PRICE
37-7855	WIPER COWL-PAINTABLE	CHEVY GMC 88-98	(1)	\$249.95*

* Or ** after the sell price means your order will incur an Oversize Part Charge for each oversized part. * Means extra charge will be \$20. ** Means extra charge will be \$50. Due to packing and/or transportation requirements, please allow additional time for delivery. Oversized Parts are not available for air delivery.

Steel Hood Scoops



38-7774



38-7775

These 2" and 4" Universal Fit Hood Scoops are stamped from 18-gauge steel and coated with an Electro Deposit Primer (EDP) for a smooth surface. Installation will require cutting and forming the scoop to match the length and curvature of your truck's hood. Welding and body work will be required prior to painting.

PART	DESCRIPTION	PRICE
38-7774	HOOD SCOOP-STEEL 2" RISE	\$185.95*
38-7775	HOOD SCOOP-STEEL 4" RISE	\$157.75*

* Or ** after the sell price means your order will incur an Oversize Part Charge for each oversized part. * Means extra charge will be \$20. ** Means extra charge will be \$50. Due to packing and/or transportation requirements, please allow additional time for delivery. Oversized Parts are not available for air delivery.

Bug Shields

Bug Shields are made from durable impact-resistant materials and include all mounting hardware and installation instructions. Drilling required for installation.



38-0306

Premium Bug Shield features a contoured wrap-around aerodynamic shape for complete nose and fender protection.

PART	DESCRIPTION	APPLICATION	REQD	PRICE
38-0306	BUG SHIELD-PREMIUM	SMOKE CHEVY GMC 88-98	(1)	\$64.95*



37-7310

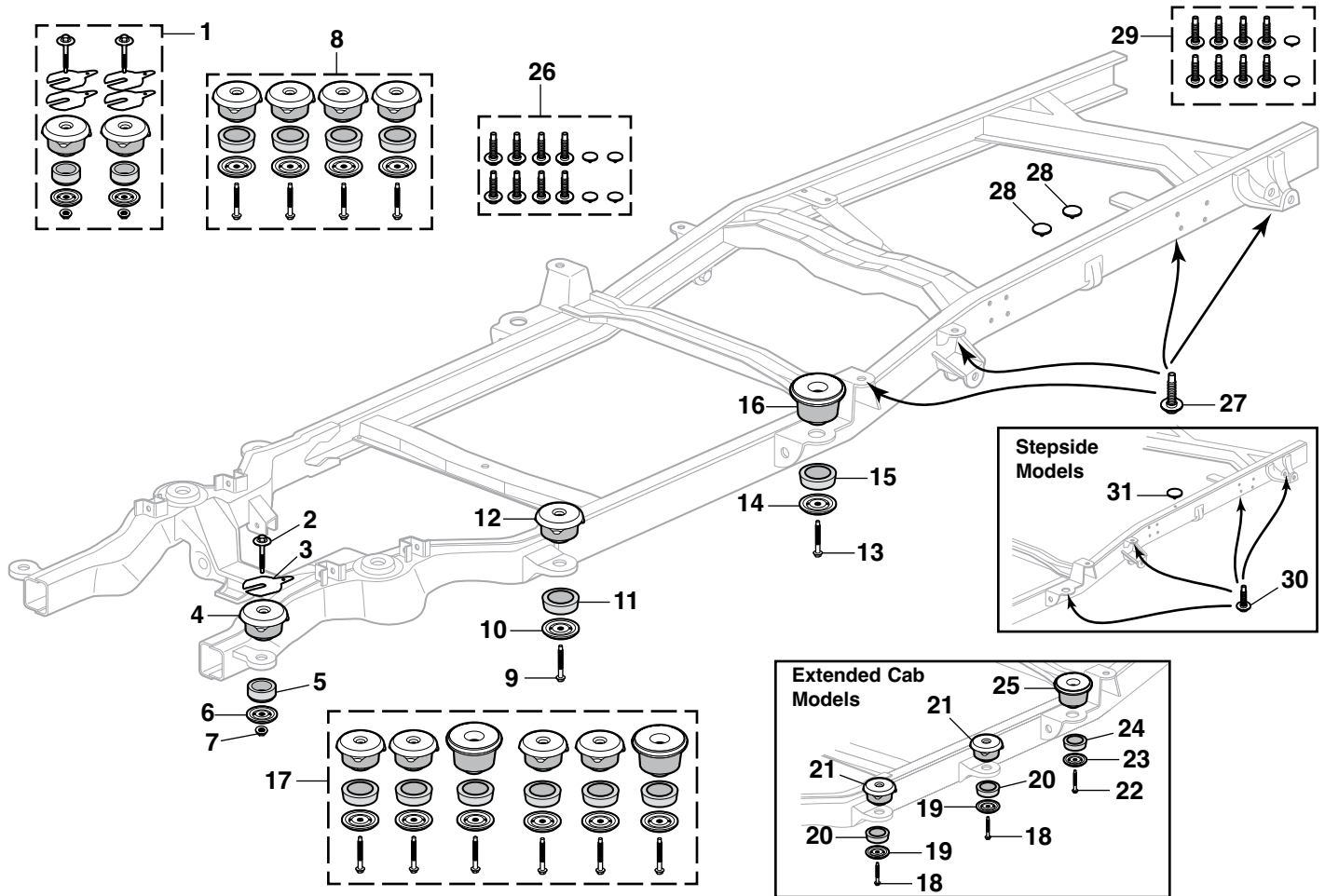
Low Profile Bug Shield features lower profile contoured styling for a sleek wrap design.

PART	DESCRIPTION	APPLICATION	REQD	PRICE
37-7310	BUG SHIELD-LOW PROFILE	CHROME CHEVY GMC 88-98	(1)	\$134.95*

* Or ** after the sell price means your order will incur an Oversize Part Charge for each oversized part. * Means extra charge will be \$20. ** Means extra charge will be \$50. Due to packing and/or transportation requirements, please allow additional time for delivery. Oversized Parts are not available for air delivery.

Radiator Core Support / Cab / Bed Mounting Hardware

Loctite Rubberized Undercoating - See Page 152



PART	ILL#	DESCRIPTION	APPLICATION	REQD	PRICE
------	------	-------------	-------------	------	-------

Radiator Core Support Mounting Kit

Kit contains two 2mm shims per radiator core support mount location. Shims may not be required depending on how level the radiator core support mounts are welded to frame. If front fenders do not align with cab and bed, use shims for proper alignment. It is possible shim requirements will be different for each radiator core support mounting location.

31-0184	(1)	RAD CORE MOUNTING KIT	14PC CHEVY GMC	88-98	(1)	\$79.95
31-0315	(2)	BOLT	CHEVY GMC	88-98	(2)	\$5.25
31-2822	(3)	SHIM-2MM	CHEVY GMC	88-98 (AR)		\$3.95
31-2000	(4)	UPPER CUSHION-CORE MOUNT	CHEVY GMC	88-98	(2)	\$15.95
30-2025	(5)	LOWER CUSHION-CORE MOUNT	CHEVY GMC	88-98	(2)	\$9.95
31-1365	(6)	RETAINER	CHEVY GMC	88-98	(2)	\$4.95
40-0819-C	(7)	NUT	CHEVY GMC	88-98	(2)	\$.95

Cab to Frame Mounting Kit

31-0185	(8)	CAB MOUNTING KIT	16PC STD CAB	88-98	(1)	\$139.95
31-0316	(9)	BOLT	STD CAB	88-98	(2)	\$3.95
31-1366	(10)	RETAINER	STD CAB	88-98	(2)	\$6.95
31-2001	(11)	LOWER CUSHION-CAB MOUNT	STD CAB	88-98	(2)	\$11.95
31-2002	(12)	UPPER CUSHION-CAB MOUNT	STD CAB	88-98	(2)	\$15.95
31-0316	(13)	BOLT	STD CAB	88-98	(2)	\$3.95
31-1366	(14)	RETAINER	STD CAB	88-98	(2)	\$6.95
31-2001	(15)	LOWER CUSHION-CAB MOUNT	STD CAB	88-98	(2)	\$11.95
31-2003	(16)	UPPER CUSHION-CAB MOUNT	STD CAB	88-98	(2)	\$15.95

PART	ILL#	DESCRIPTION	APPLICATION	REQD	PRICE
------	------	-------------	-------------	------	-------

Cab to Frame Mounting Kit Extended Cab

31-0186	(17)	CAB MOUNTING KIT	24PC EXT CAB	88-98	(1)	\$199.95
31-0316	(18)	BOLT-CAB MOUNT	EXT CAB	88-98	(4)	\$3.95
31-1366	(19)	RETAINER	EXT CAB	88-98	(4)	\$6.95
31-2001	(20)	LOWER CUSHION-CAB MOUNT	EXT CAB	88-98	(4)	\$11.95
31-2002	(21)	UPPER CUSHION-CAB MOUNT	EXT CAB	88-98	(4)	\$15.95
31-0316	(22)	BOLT-CAB MOUNT	EXT CAB	88-98	(2)	\$3.95
31-1366	(23)	RETAINER	EXT CAB	88-98	(2)	\$6.95
31-2001	(24)	LOWER CUSHION-CAB MOUNT	EXT CAB	88-98	(2)	\$11.95
31-2003	(25)	UPPER CUSHION-CAB MOUNT	EXT CAB	88-98	(2)	\$15.95

Fleetside Bed to Frame Mounting Kit

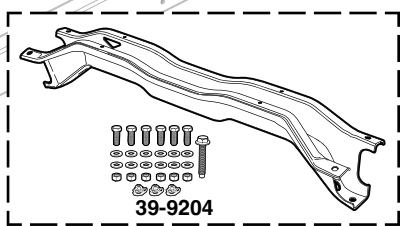
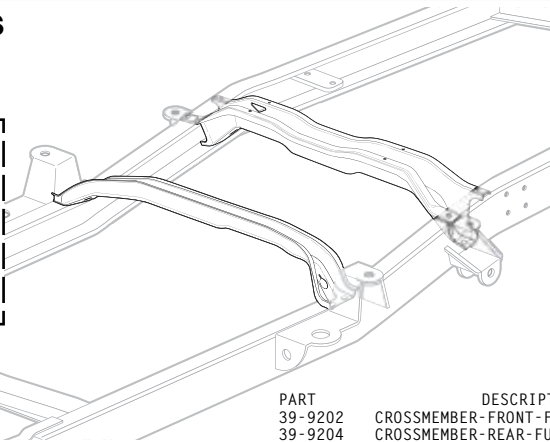
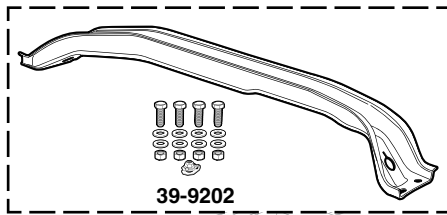
31-0187	(26)	BED/FRAME MOUNTING KIT 12PC	FLEETSIDE	88-98	(1)	\$38.95
31-0277	(27)	BOLT-BED MOUNT	FLEETSIDE	88-98	(8)	\$2.95
31-1831	(28)	INSULATOR	FLEETSIDE	88-98	(4)	\$5.45

Stepside Bed to Frame Mounting Kit

31-0188	(29)	BED/FRAME MOUNTING KIT 10PC	STEPSIDE	88-98	(1)	\$29.95
31-0277	(30)	BOLT-BED MOUNT	STEPSIDE	88-98	(8)	\$2.95
31-1831	(31)	INSULATOR	STEPSIDE	88-98	(2)	\$5.45

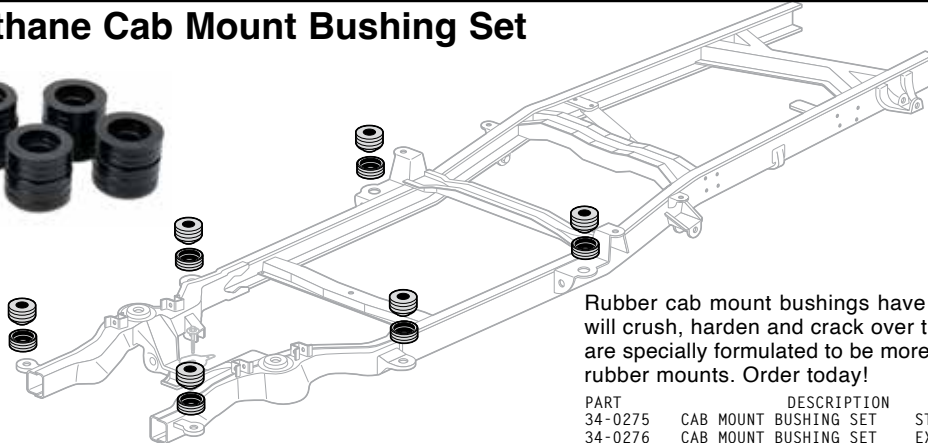
Fuel Tank Crossmembers

1988-98 Chevy & GMC Truck



PART	DESCRIPTION	APPLICATION	REQD	PRICE
39-9202	CROSSMEMBER-FRONT-FUEL TANK	4WD 88-98	(1)	\$145.95
39-9204	CROSSMEMBER-REAR-FUEL TANK	CHEVY GMC 88-98	(1)	\$156.95

Polyurethane Cab Mount Bushing Set



Rubber cab mount bushings have a soft and forgiving ride, but they will crush, harden and crack over time. These polyurethane bushings are specially formulated to be more durable and last much longer than rubber mounts. Order today!

PART	DESCRIPTION	APPLICATION	REQD	PRICE
34-0275	CAB MOUNT BUSHING SET	STD CAB CHEVY GMC 88-98	(1)	\$99.45
34-0276	CAB MOUNT BUSHING SET	EXT CAB CHEVY GMC 88-98	(1)	\$119.45

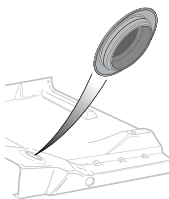
Panel and Trim Removal Tool Set



Five-piece Panel and Trim Removal Tool Set can be used to remove interior and exterior trim, fasteners, moldings and panels. Constructed of heavy-duty plastic for strength and flexibility. Call or go online and order yours today!

PART	DESCRIPTION	PRICE
38-8245	PANEL & TRIM TOOL SET-5PC	\$9.95

Sheet Metal Plugs



These flush mount Sheet Metal Plugs close unused holes in firewalls, floor pans and doors. Plugs are made of plastic and easily snap into 14 to 26 gauge sheet metal. Available in multiple sizes to fit 3/8" to 1" diameter holes.

PART	DESCRIPTION	REQD	PRICE
30-1972	PLUG 3/8" HOLE	(AR)	\$.65
30-1966	PLUG 1/2" HOLE	(AR)	\$.65
30-1973	PLUG 5/8" HOLE	(AR)	\$.65
30-1974	PLUG 3/4" HOLE	(AR)	\$.65
30-1975	PLUG 7/8" HOLE	(AR)	\$.65
30-1954	PLUG 1" HOLE	(AR)	\$1.45

7-Piece Plastic Pry Bar Set



These pry bars can be used for scraping, removing fasteners, and of course "prying" with many different configurations, the possibilities are unlimited. The plastic design prevents scratching or marring of sensitive surfaces. All the pry bars are 7" overall length.

PART	DESCRIPTION	PRICE
38-8247	PLASTIC PRY BAR SET-7PC	\$10.95

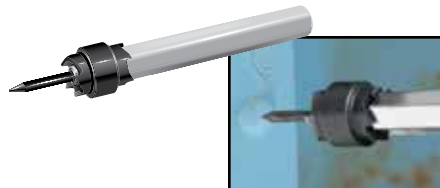
Plug Weld Pliers



Spot weld your new rockers or other body panels with ease and have a factory style weld to show for it. The Plug Weld Pliers feature locking jaws and a replaceable copper alloy pad to prevent burn through. Replacement pads sold below.

PART	DESCRIPTION	PRICE
38-1318	PLUG WELD PLIERS	\$37.95
38-1319	REPLACEMENT PAD	\$11.95

Spot Weld Cutter



Quickly drills out spot welds on body panels. Features 1/4" arbor and double-ended 3/8" diameter cutting blade with retractable pilot to ensure accurate cuts without damage to underlying panel.

PART	DESCRIPTION	PRICE
38-1307	SPOT WELD CUTTER-3/8"	\$8.95
38-1396	REPL HEAD-3/8"-3 PACK	\$15.95

Adhesive/Stripe Eraser Wheel



Easily remove decals, pinstriping and adhesive tape residue without damaging your paint! This 3-1/2" diameter eraser wheel includes the arbor and is designed for use in air or electric drills at speeds up to 4,000 rpm.

PART	DESCRIPTION	PRICE
38-1314	ADHESIVE/STRIPE ERASER WHEEL	\$14.95

POR-15 Restoration Products



POR-15 is a high-performance rust preventative black paint designed to extend the life of new and rusted metal surfaces. It dries to a rock-hard, non-porous finish that will not rust, chip, crack or peel.

Dries in 2 to 5 hours; body fillers and paint can be applied over POR-15. For maximum effectiveness, degrease metal surfaces with Cleaner Degreaser, then prime with Metal-Prep.

Approximate product coverage:
1 pint = 48 sq. ft.; 1 quart = 96 sq. ft.



Dry Time Accelerator reduces the cure time of POR-15 by 30-50% without affecting the final physical properties of the paint. One 8 ounce bottle treats 64 pints or 32 quarts of POR-15.

PART	DESCRIPTION	PRICE
37-8411	POR-15 SEMI-GLOSS-1 PINT	\$41.88
37-8412	POR-15 SEMI-GLOSS-1 QUART	\$63.89
37-8408	POR-15 GLOSS-1 PINT	\$41.88
37-8409	POR-15 GLOSS-1 QUART	\$63.89
37-8418	DRY TIME ACCELERATOR	\$34.05



High Temp Paint is an extreme temperature finish that maintains color without burning off or discoloring on manifolds and headers. Withstands high temperatures up to 1,200°F and resists cracking, chipping and peeling. It is weather-, salt- and moisture-resistant. Available in gray or aluminum color; can be brushed or sprayed on. Recommend sandblasting for optimal surface preparation.

Approximate coverage: 8 oz. covers a set of big block V8 headers with two coats.

PART	DESCRIPTION	PRICE
37-8484	HIGH TEMP PAINT-GRAY 8 OZ	\$25.51
37-8485	HIGH TEMP PAINT-ALUM 8 OZ	\$25.51



Metal-Prep provides adhesion for POR-15 on any metal surface. Gently etches metal, neutralizes rust and creates an ideal anchor for coatings such as POR-15, while leaving a zinc phosphate finish to ensure chemical bonding of paint and steel. Metal-Prep must be used on galvanized metal, aluminum, stainless steel and smooth, polished or new metal surfaces prior to applying POR-15. Metal-Prep is water-based so it is not caustic, corrosive, toxic or flammable.

PART	DESCRIPTION	PRICE
37-8415	METAL-PREP 1 QUART	\$22.14
37-8416	METAL-PREP 1 GALLON	\$44.74



Cleaner Degreaser cleans and degreases in one application without messy residues, noxious fumes or flammable solvents. Removes grease, oil, mildew, algae, musty odors, soap films and wax from canvas, vinyl, plastics, nylon, wood, fiberglass and all metal surfaces.

Cleaner Degreaser should be used as a surface prep prior to using Metal-Prep and POR-15.

PART	DESCRIPTION	PRICE
37-8413	CLEANER DEGREASER 1 QUART	\$14.67
37-8414	CLEANER DEGREASER 1 GALLON	\$29.61



POR-15 Self Etch Primer is a quick drying and easy-to-apply coating which enables a restorer to quickly topcoat POR-15 Rust Preventive Coating and other basecoats. You can even topcoat POR-15 that's been in place for months or years. This Self Etch Primer is NOT a high-build primer, it can be sprayed on almost any painted surface and can be top coated in 15 - 30 minutes. It bonds incredibly well to POR-15 Rust Preventive Coating, and all topcoats bond incredibly well to POR-15 Self Etch Primer. It can be sanded lightly, and, if desired, multiple coats may be applied.

PART	DESCRIPTION	PRICE
37-8401	SELF ETCH PRIMER-GRAY	\$39.15



37-8402



37-8403



37-8404

POR-15 Top Coat can be applied directly to a clean prepped metal surface, but when used as a top coat over POR-15 Rust Preventive Coating it provides the toughest, most permanent protection against rust and corrosion. It has exceptional long-term gloss and color retention when exposed to sunlight and the elements, non-porous, extremely scratch and chip resistant, won't crack, peel or chip. Can be applied directly to metal substrates, with no need for a primer or undercoat, and is formulated to form a robust barrier that sheds moisture.

PART	DESCRIPTION	PRICE
37-8402	TOP COAT-CLEAR	\$28.39
37-8403	TOP COAT-GLOSS BLACK	\$28.39
37-8404	TOP COAT-CHASSIS BLACK	\$28.39

Chassis Black has a semi-gloss appearance. For maximum durability Chassis Black should be clear coated.



Bed Liner is a water-based, rubberized coating ideal for protecting truck beds, and all other metal, aluminum, fiberglass and wood surfaces exposed to impacts and scuffs. It is UV stable and offers superior adhesion, impact resistance and flexibility. Features a textured semi-gloss black finish for good looks. Prior to application, surfaces should be degreased with Cleaner Degreaser and metal surfaces should be treated with Metal-Prep. Bed Liner can be applied over POR-15.

Shortbed trucks - 1 gallon for two coats on bed floor, sides and tailgate. Longbed trucks need an additional quart.

Approximate product coverage:
1 quart = 25-30 sq. ft.; 1 gallon = 100-120 sq. ft.

PART	DESCRIPTION	PRICE
37-8480	BED LINER 1 QUART	\$37.94
37-8481	BED LINER 1 GALLON	\$142.96



Fuel Tank Sealer coats the inside of your tank to stop rust and seal pinholes and weld seams. It's a non-porous, flexible film that is resistant to all fuels, alcohols and fuel additives. This environmentally safe sealer does not contain the harmful chemical Methyl Ethyl Ketone (MEK) and is non-flammable. Cleaner Degreaser and Metal-Prep must be used to prep fuel tank prior to using fuel tank sealer.

Approximate product coverage:
1 pint = to 12.5 gal tank; 1 quart = to 25 gal tank

PART	DESCRIPTION	PRICE
37-8488	FUEL TANK SEALER 1 PINT	\$31.44
37-8489	FUEL TANK SEALER 1 QUART	\$54.60

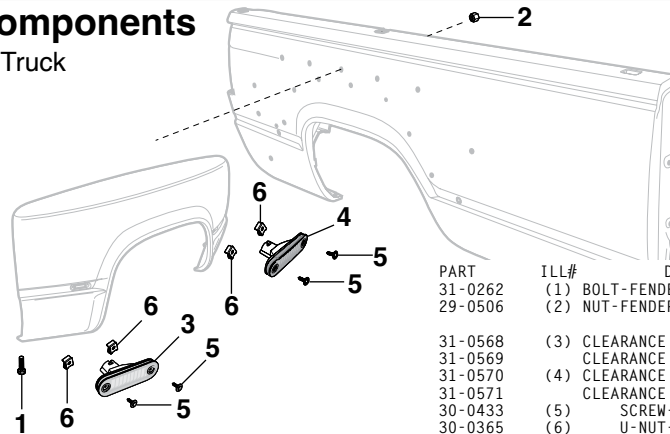


POR-15 Stop Rust Kit is designed to stop and/or prevent rust on metal surfaces and ensures the best results when applying POR-15 Rust Preventive Coating. The kit contains everything you need for the 3-step process; 8 ounce bottle of POR-15 Cleaner Degreaser, 8 ounce bottle of POR-15 Metal-Prep, 4 ounce can of POR-15 Gloss Black, two paint brushes, 1 pair of latex gloves, and detailed instructions and tips. The kit is ideal for small projects such as sub-frames, axle replacements, control arms, brake shields and much more! There is enough material in this kit to cover a 6 sq. ft. area with two coats.

PART	DESCRIPTION	PRICE
37-8405	STOP RUST KIT	\$27.84

Dually Fender Components

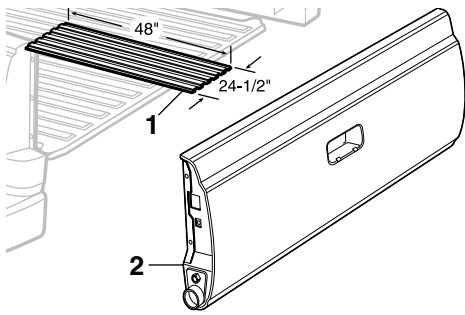
1988-98 Chevy & GMC Truck



PART	ILL#	DESCRIPTION	APPLICATION	REQD	PRICE
31-0262	(1)	BOLT-FENDER	DUALY 88-98	(8)	\$.95
29-0506	(2)	NUT-FENDER	DUALY 88-98	(30)	\$.95
31-0568	(3)	CLEARANCE LAMP-AMBER-FRT-LH	DUALY 88-98	(1)	\$45.95
31-0569		CLEARANCE LAMP-AMBER-FRT-RH	DUALY 88-98	(1)	\$45.95
31-0570	(4)	CLEARANCE LAMP-RED-REAR-LH	DUALY 88-98	(1)	\$47.45
31-0571		CLEARANCE LAMP-RED-REAR-RH	DUALY 88-98	(1)	\$47.75
30-0433	(5)	SCREW-CLEARANCE LAMP	DUALY 88-98	(8)	\$.55
30-0365	(6)	U-NUT-CLEARANCE LAMP	DUALY 88-98	(8)	\$1.45

Stepside Bed Components

1988-98 Chevy & GMC Truck



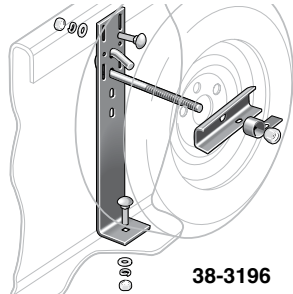
* Or ** after the sell price means your order will incur an Oversize Part Charge for each oversized part. * Means extra charge will be \$20. ** Means extra charge will be \$50. Due to packing and/or transportation requirements, please allow additional time for delivery. Oversized Parts are not available for air delivery.

PART	ILL#	DESCRIPTION	APPLICATION	REQD	PRICE
39-7840	(1)	REAR FLOOR SKIN PIECE	STEPSIDE 88-98	(AR)	\$39.95*
39-9563-T	(2)	TAILGATE-REPRO	"A" STEPSIDE 88-98	(1)	\$249.95

Note: "A" Hinges are attached.

-T After a part number means that part must be shipped Truck Freight. An additional \$150.00 will be charged to your order for delivery in the 48 contiguous United States. Orders outside of the 48 states will be quoted. Additional delivery time required.

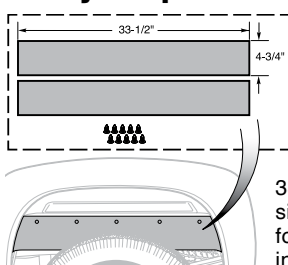
In-Bed Tire Carrier



Tire carrier features sturdy construction with a rust-resistant black powder coat finish. Can be used on 14" to 16.5" diameter wheels with a maximum rim width of 7". Some drilling required.

PART	DESCRIPTION	APPLICATION	PRICE
38-3196	TIRE CARRIER-IN BED	14"-16.5" WHEEL	\$24.95

Body Gap Filler Set

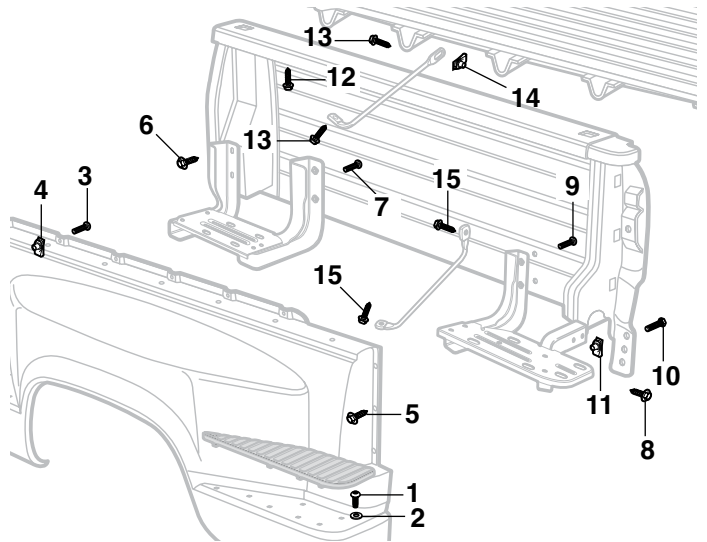


Body Gap Filler Set covers the gap between the frame and the bed of the truck. Body Gap Filler Set creates a clean backdrop for your wheels and is also used to cover the opening created by a body lift kit. Made from 3/16" thick industrial rubber, each piece measures 33-1/2" long by 4-3/4" wide and must be sized and cut to fit. Drilling is required for installation. Mounting hardware and installation instructions are included.

PART	DESCRIPTION	APPLICATION	REQD	PRICE
30-2440	BODY GAP FILLER SET-REAR	FLEETSIDE	(1)	\$17.95

Stepside Bedside Attachment

1988-98 Chevy & GMC Truck



PART	ILL#	DESCRIPTION	APPLICATION	REQD	PRICE
31-0263	(1)	BOLT	STEPSIDE 88-98	(8)	\$1.95
29-0423	(2)	FLAT WASHER	STEPSIDE 88-98	(8)	\$.65
31-0263	(3)	BOLT-BESIDE	STEPSIDE 88-98	(12)	\$1.95
40-0915-C	(4)	U-NUT-BESIDE	STEPSIDE 88-98	(12)	\$.95
31-0262	(5)	BOLT	STEPSIDE 88-98	(6)	\$.95
31-0262	(6)	BOLT-SUPPORT	STEPSIDE 88-98	(4)	\$.95
31-0263	(7)	BOLT-SUPPORT	STEPSIDE 88-98	(4)	\$1.95
31-0262	(8)	BOLT-SUPPORT	STEPSIDE 88-98	(4)	\$.95
31-0263	(9)	BOLT-SUPPORT	STEPSIDE 88-98	(4)	\$1.95
31-0201	(10)	BOLT	STEPSIDE 88-98	(4)	\$7.25
40-0915-C	(11)	U-NUT	STEPSIDE 88-98	(4)	\$.95
31-0262	(12)	BOLT	STEPSIDE 88-98	(AR)	\$.95
31-0262	(13)	BOLT	STEPSIDE 88-98	(4)	\$.95
40-0915-C	(14)	U-NUT	STEPSIDE 88-98	(2)	\$.95
31-0262	(15)	BOLT	STEPSIDE 88-98	(4)	\$.95

Tailgate Handle Relocator Kit



Tailgate Handle Relocator Kit allows you to relocate the tailgate handle to the inside of the truck's bed. All parts needed and instructions for relocation are included.

PART	DESCRIPTION	APPLICATION	REQD	PRICE
38-1945	TAILGATE HANDLE RELOCATOR	CHEVY GMC 88-98	(1)	\$89.95

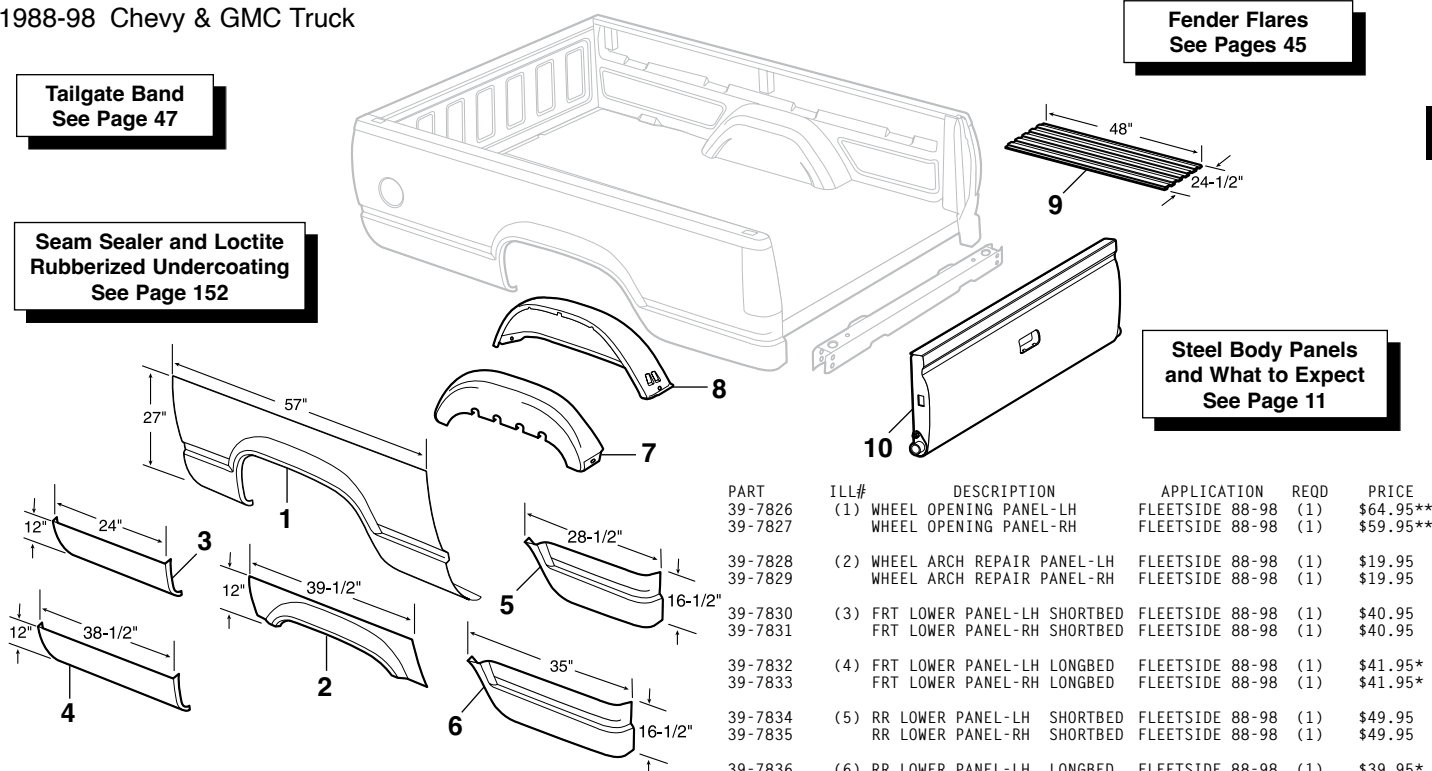
Fleetside Steel Bed Panels

1988-98 Chevy & GMC Truck

Fender Flares
See Pages 45

Tailgate Band
See Page 47

Seam Sealer and Loctite
Rubberized Undercoating
See Page 152



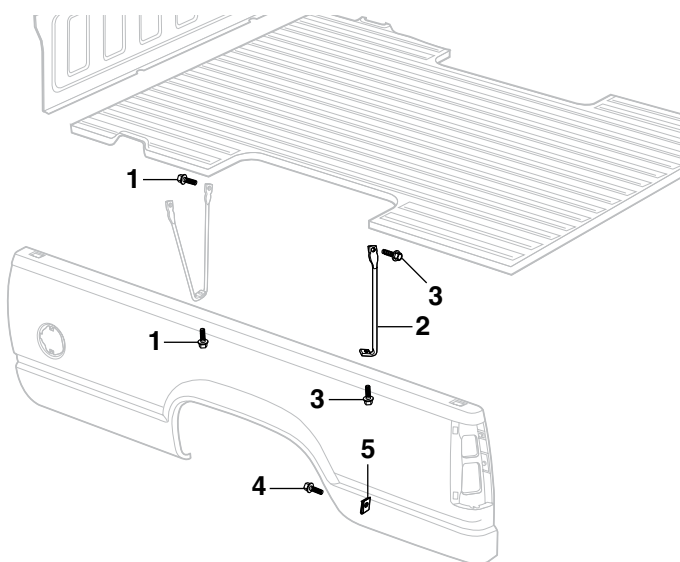
Steel Body Panels
and What to Expect
See Page 11

PART	ILL#	DESCRIPTION	APPLICATION	REQD	PRICE
39-7826 39-7827	(1)	WHEEL OPENING PANEL-LH WHEEL OPENING PANEL-RH	FLEETSIDE 88-98 FLEETSIDE 88-98	(1) (1)	\$64.95** \$59.95**
39-7828 39-7829	(2)	WHEEL ARCH REPAIR PANEL-LH WHEEL ARCH REPAIR PANEL-RH	FLEETSIDE 88-98 FLEETSIDE 88-98	(1) (1)	\$19.95 \$19.95
39-7830 39-7831	(3)	FRT LOWER PANEL-LH SHORTBED FRT LOWER PANEL-RH SHORTBED	FLEETSIDE 88-98 FLEETSIDE 88-98	(1) (1)	\$40.95 \$40.95
39-7832 39-7833	(4)	FRT LOWER PANEL-LH LONGBED FRT LOWER PANEL-RH LONGBED	FLEETSIDE 88-98 FLEETSIDE 88-98	(1) (1)	\$41.95* \$41.95*
39-7834 39-7835	(5)	RR LOWER PANEL-LH SHORTBED RR LOWER PANEL-RH SHORTBED	FLEETSIDE 88-98 FLEETSIDE 88-98	(1) (1)	\$49.95 \$49.95
39-7836 39-7837	(6)	RR LOWER PANEL-LH LONGBED RR LOWER PANEL-RH LONGBED	FLEETSIDE 88-98 FLEETSIDE 88-98	(1) (1)	\$39.95* \$39.95*
39-7838 39-7839	(7)	REAR INNER WHEEL WELL-LH REAR INNER WHEEL WELL-RH	FLEETSIDE 88-98 FLEETSIDE 88-98	(1) (1)	\$49.95 \$49.95
39-7666	(8)	WHEEL HOUSING	FLEETSIDE 88-98	(2)	\$54.95*
39-7840	(9)	REAR FLOOR SKIN PIECE	FLEETSIDE 88-98	(AR)	\$39.95*
39-9561-T	(10)	TAILGATE-REPRO	"A" FLEETSIDE 88-98	(1)	\$119.95

Left Hand (LH) & Right Hand (RH)
Means as You Sit Facing Forward in the Vehicle

Fleetside Bedside Attachment

1988-98 Chevy & GMC Truck



PART	ILL#	DESCRIPTION	APPLICATION	REQD	PRICE
29-0200	(1)	BOLT-BRACE	FLEETSIDE 88-98	(6)	\$1.25
31-3803	(2)	BRACE-REAR-RH	FLEETSIDE 88-98	(1)	\$20.25
29-0200	(3)	BOLT-BRACE	FLEETSIDE 88-98	(4)	\$1.25
30-0454	(4)	SCREW-SHIELD	FLEETSIDE 88-98	(6)	\$.95
30-0829	(5)	U-NUT-SHIELD	FLEETSIDE 88-98	(6)	\$1.25

Note: "A" Hinges are attached.

-T After a part number means that part must be shipped Truck Freight. An additional \$150.00 will be charged to your order for delivery in the 48 contiguous United States. Orders outside of the 48 states will be quoted. Additional delivery time required.

* Or ** after the sell price means your order will incur an Oversize Part Charge for each oversized part. * Means extra charge will be \$20. ** Means extra charge will be \$50. Due to packing and/or transportation requirements, please allow additional time for delivery. Oversized Parts are not available for air delivery.

Tailgate EasyLift™ ... It's All About Convenience



Tailgate EasyLift's™ torsion spring reduces the tailgate's weight by 80% allowing easy opening and closing of the tailgate. Manufactured of hardened spring steel, it can be easily installed by just drilling two mounting holes. Complete with instructions and installation template.

PART	DESCRIPTION	APPLICATION	REQD	PRICE
38-3029	TAILGATE EASYLIFT	CHEVY GMC 88-98	(1)	\$33.95

3-in-1 Truck Ties



Tie Down Anchors - See Page 21



Tested to -20°F and 165°F, these 3-in-1 Truck Ties are made in the USA from durable nylon plastic and are designed to fit into the stake pockets of your truck in three different ways: by installing with the ring side facing the truck bed so multiple cargo straps can be used; with the cleat side facing the truck bed to keep tension in the rope each time it is looped around the tie; or by covering the load with a tarp over the stake pockets and inserting the truck ties into the stake pockets over the tarp (rated for highway speeds).

Ties can be installed and removed with no drilling or modifications necessary.

PART	DESCRIPTION	APPLICATION	REQD	PRICE
37-7496	3-IN-1 TRUCK TIES-PAIR	FLEETSIDE	(AR)	\$21.95

Bed Caps Protect with Quality and Style



Bed caps protect your bed rails with quality and style. Cover damaged rails or protect that new paint job from nicks and scratches. Most models install easily with included 3M™ tape, except where noted.

Available in Polished Stainless Steel or Aluminum Diamond Plate.

PART	DESCRIPTION	APPLICATION	REQD	PRICE
Polished Stainless Steel Bed Caps				
37-7183	FRONT BED PANEL CAP-STAINLESS	FLEETSIDE 88-98	(1)	\$47.60
37-7184	FRONT BED PANEL CAP-STAINLESS	STEPSIDE 88-98	(1)	\$47.60
37-7114	BEDRAIL CAP SET-STNLSS	LongBED FLEETSIDE 88-98	(1)	\$168.65*
37-7102	BEDRAIL CAP SET-STNLSS	ShortBED FLEETSIDE 88-98	(1)	\$152.37*
37-7162	TAILGATE CAP-STAINLESS	"A" FLEETSIDE 88-98	(1)	\$47.60
37-7163	TAILGATE CAP-STAINLESS	"A" STEPSIDE 88-98	(1)	\$47.60

PART	DESCRIPTION	APPLICATION	REQD	PRICE
Aluminum Diamond Plate Bed Caps				
37-7193	FRONT BED PANEL CAP-DIAMOND	FLEETSIDE 88-98	(1)	\$50.21
37-7194	FRONT BED PANEL CAP-DIAMOND	STEPSIDE 88-98	(1)	\$50.21
37-7144	BEDRAIL CAP SET-DIAMOND	LongBED FLEETSIDE 88-98	(1)	\$177.62*
37-7132	BEDRAIL CAP SET-DIAMOND	ShortBED FLEETSIDE 88-98	(1)	\$160.44*
37-7172	TAILGATE CAP-DIAMOND	"A" FLEETSIDE 88-98	(1)	\$50.21
37-7173	TAILGATE CAP-DIAMOND	"A" STEPSIDE 88-98	(1)	\$50.21

* Or ** after the sell price means your order will incur an Oversize Part Charge for each oversized part. * Means extra charge will be \$20. ** Means extra charge will be \$50. Due to packing and/or transportation requirements, please allow additional time for delivery. Oversized Parts are not available for air delivery.

Note: "A" Drilling required for installation.

Rail-Guards Provide Protection for Your Truck's Bed Rails



Rail-Guard is made of impact absorbing heavy-duty vinyl to protect your truck's bed rails. No drilling required. The full width 3M™ adhesive over the entire backside ensures maximum holding and means no condensation and dirt under the Rail-Guard. Can be used on running boards, rocker panels and in other applications where an attractive protection strip is needed.

PART	DESCRIPTION	APPLICATION	REQD	PRICE
38-3202	VINYL RAIL-GUARD SET	CHEVY GMC 88-98	(1)	\$139.95
38-3200	VINYL TAILGATE GUARD	CHEVY GMC 88-98	(1)	\$25.95

Rail-Guard Set is a 22 foot roll of 3-3/4" wide vinyl for bedsides and tailgate with a 6 foot roll of 1" extrusion for the front bed panel. Tailgate Guard is a 6 foot roll of 3-3/4" material. Must be sized and cut to fit.

ABS Bed Caps Offer Protection with Style

Limited Lifetime Warranty



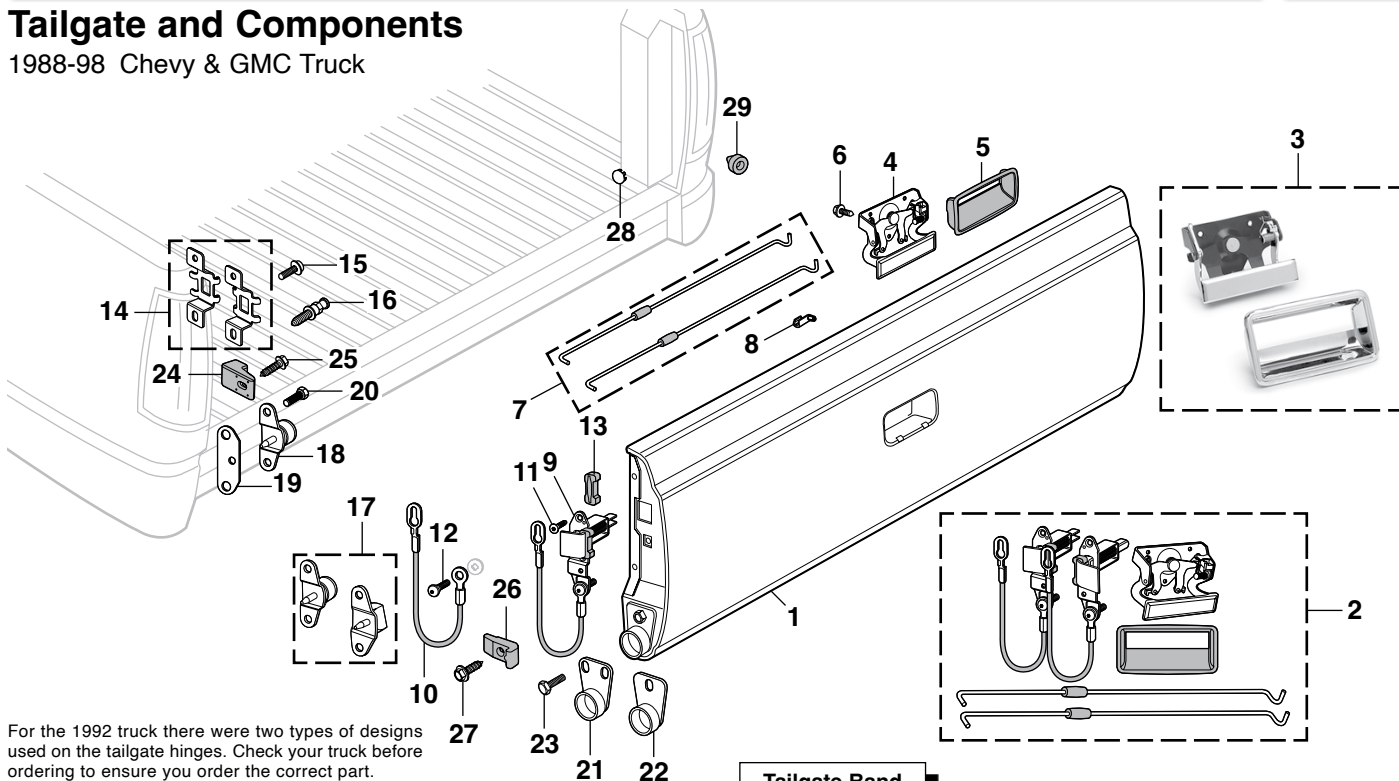
ABS Caps offer protection for bed rails, tailgate and the front of the truck's bed. Choose between ribbed or smooth bed caps. Pre-cut stake pocket holes keep the factory look. Quick, easy installation with 3M™ tape, included.

PART	DESCRIPTION	APPLICATION	REQD	PRICE
37-7061	FRONT BED CAP-ABS	FLEETSIDE 88-98	(1)	\$42.95
37-7011	BED CAPS-ABS-SMOOTH	ShortBED FLEETSIDE 88-98	(1)	\$89.95*
37-7021	BED CAPS-ABS-SMOOTH	LongBED FLEETSIDE 88-98	(1)	\$89.95*
37-7031	BED CAPS-ABS-RIBBED	ShortBED FLEETSIDE 88-98	(1)	\$89.95*
37-7041	BED CAPS-ABS-RIBBED	LongBED FLEETSIDE 88-98	(1)	\$89.95*
37-7051	TAILGATE CAP-ABS	FLEETSIDE 88-98	(1)	\$39.95

* Or ** after the sell price means your order will incur an Oversize Part Charge for each oversized part. * Means extra charge will be \$20. ** Means extra charge will be \$50. Due to packing and/or transportation requirements, please allow additional time for delivery. Oversized Parts are not available for air delivery.

Tailgate and Components

1988-98 Chevy & GMC Truck



For the 1992 truck there were two types of designs used on the tailgate hinges. Check your truck before ordering to ensure you order the correct part.

1st Design: Hinge has two mounting bolts.
2nd Design: Hinge has one mounting bolt.

Tailgate Band
 See Page 47

PART	ILL#	DESCRIPTION	APPLICATION	REQD	PRICE
39-9561-T	(1)	TAILGATE-REPRO W/HINGES	FLEETSIDE 88-98	(1)	\$119.95
39-9563-T		TAILGATE-REPRO W/HINGES	STEPSIDE 88-98	(1)	\$249.95
39-6598	(2)	TAILGATE COMPONENT KIT	FLEETSIDE 88-98	(1)	\$69.95
39-6599		TAILGATE COMPONENT KIT	STEPSIDE 88-98	(1)	\$74.95
37-7996	(3)	HANDLE W/BEZEL	CHEVY GMC 88-98	(1)	\$29.95
39-6600	(4)	HANDLE-TAILGATE	CHEVY GMC 88-98	(1)	\$14.95
39-6601	(5)	BEZEL-HANDLE	CHEVY GMC 88-98	(1)	\$2.95
31-0201	(6)	SCREW	CHEVY GMC 88-98	(3)	\$7.25
39-6602	(7)	LATCH ROD SET	FLEETSIDE 88-98	(1)	\$7.95
39-6603	(4)	LATCH ROD SET	STEPSIDE 88-98	(1)	\$6.95
30-0738	(8)	RETAINER-ROD	CHEVY GMC 88-98	(2)	\$1.95
39-6604	(9)	LATCH/CABLE ASSEMBLY-LH	CHEVY GMC 88-98	(1)	\$19.95
39-6605		LATCH/CABLE ASSEMBLY-RH	CHEVY GMC 88-98	(1)	\$19.95
39-6606	(10)	TAILGATE CABLE	CHEVY GMC 88-98	(2)	\$6.95
31-0501	(11)	SCREW-LATCH	CHEVY GMC 88-98	(4)	\$1.95
31-0502	(12)	SCREW-CABLE	CHEVY GMC 88-98	(2)	\$1.95
31-1832	(13)	INSULATOR-LATCH	CHEVY GMC 88-98	(2)	\$5.04
39-6613	(14)	STRIKER SET	CHEVY GMC 88-98	(1)	\$16.45
31-0201	(15)	BOLT-STRIKER-UPPER	CHEVY GMC 88-98	(2)	\$7.25
31-0202	(16)	BOLT-STRIKER-LOWER	CHEVY GMC 88-98	(2)	\$3.95

PART	ILL#	DESCRIPTION	APPLICATION	REQD	PRICE
39-6612	(17)	TRUNNION SET	CHEVY GMC 88-98	(1)	\$9.95
39-6610	(18)	TRUNNION-LH	CHEVY GMC 88-98	(1)	\$5.95
39-6611		TRUNNION-RH	CHEVY GMC 88-98	(1)	\$5.95
39-6614	(19)	SPACER	FLEETSIDE 94-98	(AR)	\$1.95
29-0200	(20)	BOLT-TRUNNION	CHEVY GMC 88-98	(4)	\$1.25
39-6616	(21)	HINGE-LH	1ST DESIGN CHEVY GMC 88-92	(1)	\$4.95
39-6617		HINGE-RH	1ST DESIGN CHEVY GMC 88-92	(1)	\$4.95
39-6618	(22)	HINGE-LH	2ND DESIGN CHEVY GMC 92-98	(1)	\$5.95
39-6619		HINGE-RH	2ND DESIGN CHEVY GMC 92-98	(1)	\$5.95
29-0200	(23)	BOLT-HINGE	CHEVY GMC 88-98	(AR)	\$1.25
31-1834	(24)	RUBBER BUMPER-BED	CHEVY GMC 88-91	(2)	\$2.95
30-0454	(25)	SCREW	CHEVY GMC 88-91	(2)	\$.95
31-1836	(26)	RUBBER BUMPER-TAILGATE	CHEVY GMC 88-91	(2)	\$3.95
30-0454	(27)	SCREW	CHEVY GMC 88-91	(2)	\$.95
31-1837	(28)	PLUG	FLEETSIDE 88-98	(2)	\$2.65
31-1838	(29)	RUBBER BUMPER-BED	CHEVY GMC 88-98	(2)	\$2.45

-T After a part number means that part must be shipped Truck Freight. An additional \$150.00 will be charged to your order for delivery in the 48 contiguous United States. Orders outside of the 48 states will be quoted. Additional delivery time required.

Tie Down Anchors ... Easy to Use In and Out

Tie Down Anchors install and uninstall in minutes with no tools required. Insert heavy-duty Tie Down Anchor into stake pocket hole and turn the eyebolt to expand the rubber block. Two loop styles to choose from: chrome-plated loop #38-3237 or standard zinc-plated loop #38-3238. Both styles have metal top plates and a rubber liner underneath to protect the truck's finish. Sold individually.



These heavy-duty, steel anchor points have a unique "C" clamp design allowing installation where needed; just clamp to bed rail and secure the load. Point and plate are vinyl-coated and will not rust or scratch the truck's finish. Can be used with "under the rail" style bed liners.



PART	DESCRIPTION	APPLICATION	REQD	PRICE
38-3237	TIE DOWN ANCHOR-CHROME LOOP	CHEVY GMC 88-98	(AR)	\$5.95
38-3238	TIE DOWN ANCHOR-ZINC LOOP	CHEVY GMC 88-98	(AR)	\$3.95

PART	DESCRIPTION	APPLICATION	PRICE
38-3239	MOVABLE ANCHOR POINT	FLEETSIDE 88-98	\$5.95

Paint Protection Film

Made from rugged, clear, 8-mil thick polyurethane paint protection film that features a clear-coat finish for maximum shine and durability. Once applied, this material is virtually invisible yet helps prevent chipping, scratching and scuffing to the vulnerable areas of your vehicle.

Rocker Panel Protection Film



38-9035
\$169.95

Kit contains two 9" wide x 15' rolls, installation squeegees and instructions.

Door Edge Protection Film



38-0308
\$12.95

Contains 3/8" wide x 12' roll and instructions.

Bed Rail Protection Film



38-3199
\$74.95

Kit contains 4" wide x 17' roll, installation squeegee and instructions.

Threshold Protection Film



37-8029
\$19.95

Kit contains 2-3/4" wide x 5' roll, installation squeegee and instructions.

Hood Protection Film



38-0274
\$54.95

Kit contains 12" wide x 6' roll and installation instructions.

Sliding Rear Window ... For Great Airflow



39-4802



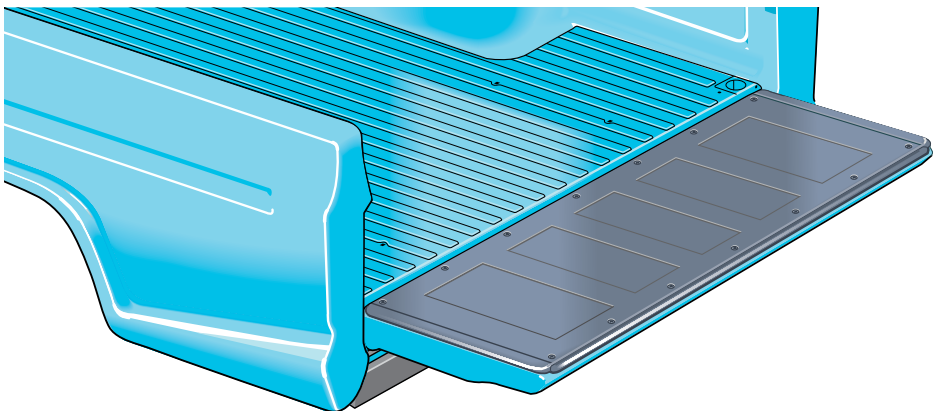
Sliding Rear Window has fully contoured, thin profile, powder coated aluminum frames

PART	DESCRIPTION	PRICE
39-4802	REAR WINDOW-DARK GRAY	\$369.95*
38-4806	LATCH ASSEMBLY-REPLACEMENT FITS 39-4802 ONLY	\$7.95

* Or ** after the sell price means your order will incur an Oversize Part Charge for each oversized part. * Means extra charge will be \$20. ** Means extra charge will be \$50. Due to packing and/or transportation requirements, please allow additional time for delivery. Oversized Parts are not available for air delivery.

with narrow stiles for maximum rear view and tight-sealing weatherstrips to protect the interior. Features a four-panel, black frame design with a 19-3/8" x 15-7/8" opening size and tempered glass with metal locking latches for safety and security. Available in dark gray tinted windows. The rear window on 1988-98 trucks is attached with urethane adhesive. Professional installation required. Contact a local glass installer for installation.

Tailgate Mat Protects Your Truck



This rugged, virtually indestructible Tailgate Mat is made with 3/8" thick cord-reinforced rubber for optimum tear strength and protects the truck's tailgate against dents, scratches, chemical spills and shifting loads. Mats can be easily installed and removed. Requires minimal maintenance; cleanup is easy with soap and water.

The smooth, raised ribs running lengthwise ease loading and unloading; and the knobby underside promotes aeration and drainage to keep the truck's tailgate dry. A raised border around the perimeter of the mat improves appearance and definition. This is a custom molded mat with no trimming necessary. Tailgate mat includes mounting hardware.

PART	DESCRIPTION	APPLICATION	REQD	PRICE
38-3006	3/8" Thick Heavy Weight Tailgate Mat HEAVY WEIGHT TAILGATE MAT	FLEETSIDE 88-98	(1)	\$49.95

**Limited
Lifetime
Warranty**

Hoop Steps



37-6340



37-6380

Hoop Steps are made of corrosion-resistant, durable cast aluminum alloy and feature a safe non-slip diamond tread pattern step. They feature an exclusive multi-mount system designed for a precision fit and easy installation. Available in polished or black powder coat finish. Sold as a set of two.



PART	DESCRIPTION	APPLICATION	REQD	PRICE
37-6340	HOOP STEPS-POLISHED	CHEVY GMC 88-98	(1)	\$110.60
37-6380	HOOP STEPS-BLACK	CHEVY GMC 88-98	(1)	\$114.55

Step Bars ... Completely Bolt-On with No Drilling Required



37-6328



37-6329

Available in Stainless Steel or Black Powder Coat

Step Bars feature 3" round tubes and are completely bolt-on, no drilling required, and feature built-in steps with step pads that are UV tested to ensure long life in hot or cold climates. Sold as a set of two with mounting hardware.

PART	DESCRIPTION	APPLICATION	REQD	PRICE
37-6328	STEP BARS-1 PAD STAINLESS STEEL	STD CAB 88-98	(1)	\$249.95*
37-6329	STEP BARS-2 PAD STAINLESS STEEL	EXT CAB 88-98	(1)	\$249.95*
37-6358	STEP BARS-1 PAD BLACK	STD CAB 88-98	(1)	\$199.95*
37-6359	STEP BARS-2 PAD BLACK	EXT CAB 88-98	(1)	\$199.95*

* Or ** after the sell price means your order will incur an Oversize Part Charge for each oversized part. * Means extra charge will be \$20. ** Means extra charge will be \$50. Due to packing and/or transportation requirements, please allow additional time for delivery. Oversized Parts are not available for air delivery.

Fleetside Aluminum Running Boards Give You a Step Up

Extruded Aluminum Running Boards feature rugged extruded aluminum finished with a brite-dip anodized coating for durability. Rough tape runs the entire length of the boards for secure stepping all year round.



Diamond Tread Running Boards are constructed of thick gauge aluminum for strength and the diamond tread provides traction for secure stepping in all kinds of weather.

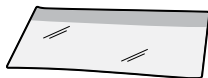


Full-size stone guards protect the Diamond Tread and Extruded Running Boards from road debris. Mounting brackets are made from heavy-duty steel for added strength.

PART	DESCRIPTION	APPLICATION	REQD	PRICE
Extruded Aluminum Running Boards				
38-3720	RUNNING BOARDS-CAB-EXTRUDED	STD CAB 88-98	(1)	\$399.95
38-3721	RUNNING BOARDS-BED-EXTRUDED	SHORTBED 88-98	(1)	\$239.95
38-3722	RUNNING BOARDS-BED-EXTRUDED	LongBED 88-98	(1)	\$294.95
Diamond Tread Running Boards				
38-3730	RUNNING BOARDS-CAB-DIAMOND TREAD	STD CAB 88-98	(1)	\$459.95
38-3731	RUNNING BOARDS-BED-DIAMOND TREAD	SHORTBED 88-98	(1)	\$239.95
38-3732	RUNNING BOARDS-BED-DIAMOND TREAD	LongBED 88-98	(1)	\$319.95



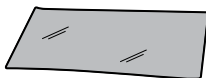
Cab and bed running boards are sold separately.



SHADED
Window has a full light green tint with a dark band at the top of glass.



GREEN TINT
Window has a full light green tint to glass.



DEEP TINT
Window has full dark gray tint to glass.

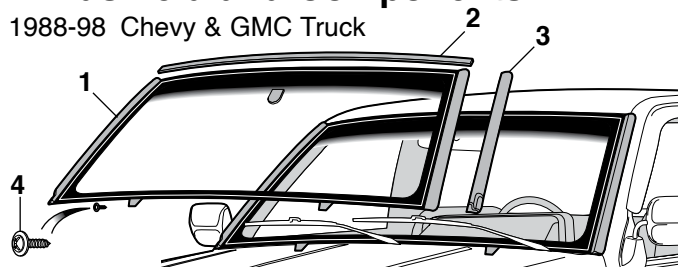


Windshield and Glass Sealant is silicone and seals windshields, windows, sunroofs and more. Flows into leaks like water but dries to form a flexible, tough, clear seal resistant to extreme temperatures, vibration, shock and most chemicals.

38-0783

Windshield and Components

1988-98 Chevy & GMC Truck



1st Design **2nd Design** There were two different designs used on the side rubber of the windshield.
1st Design: Windshield has molded rubber flap on sides.
2nd Design: Windshield has side seals.

The windshield on 1988-98 trucks is attached with urethane adhesive. Professional installation is required. Contact your local glass installer for installation.

PART	ILL#	DESCRIPTION	APPLICATION	REQD	PRICE
39-9402-T	(1)	WINDSHIELD-SHADED 1ST	CHEVY GMC 88-94	(1)	\$199.95
39-9403-T		WINDSHIELD-SHADED 2ND	"A" CHEVY GMC 93-98	(1)	\$189.95
39-8300	(2)	WINDSHIELD SEAL-UPPER	CHEVY GMC 92-98	(1)	\$1.65
39-8302	(3)	WINDSHIELD SIDE SEAL-LH	CHEVY GMC 93-98	(1)	\$6.95
39-8303		WINDSHIELD SIDE SEAL-RH	CHEVY GMC 93-98	(1)	\$6.95
30-0454	(4)	SCREW-WINDSHIELD	CHEVY GMC 88-98	(2)	\$.95
38-0783		SILICONE SEALANT	1.5 OZ TUBE		\$6.25

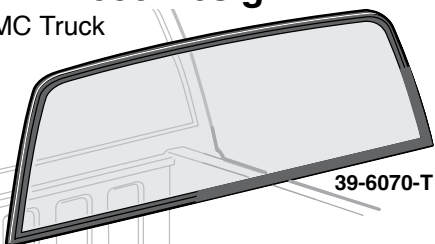
Note: "A" Side seals included.

-T After a part number means that part must be shipped Truck Freight. An additional \$150.00 will be charged to your order for delivery in the 48 contiguous United States. Orders outside of the 48 states will be quoted. Additional delivery time required.

Rear Window - 1-Piece Design

1988-98 Chevy & GMC Truck

The rear window on 1988-98 trucks is attached with urethane adhesive. Professional installation is required. Contact your local glass installer for installation.



39-6070-T

PART	DESCRIPTION	APPLICATION	REQD	PRICE
39-6070-T	REAR WINDOW-GREEN TINT W/O DEFOG	CHEVY GMC 88-98	(1)	\$149.95
39-6072-T	REAR WINDOW-DEEP TINT W/O DEFOG	CHEVY GMC 88-98	(1)	\$149.95
38-0783	SILICONE SEALANT	1.5 OZ TUBE		\$6.25

-T After a part number means that part must be shipped Truck Freight. An additional \$150.00 will be charged to your order for delivery in the 48 contiguous United States. Orders outside of the 48 states will be quoted. Additional delivery time required.

Windshield Removal Tool

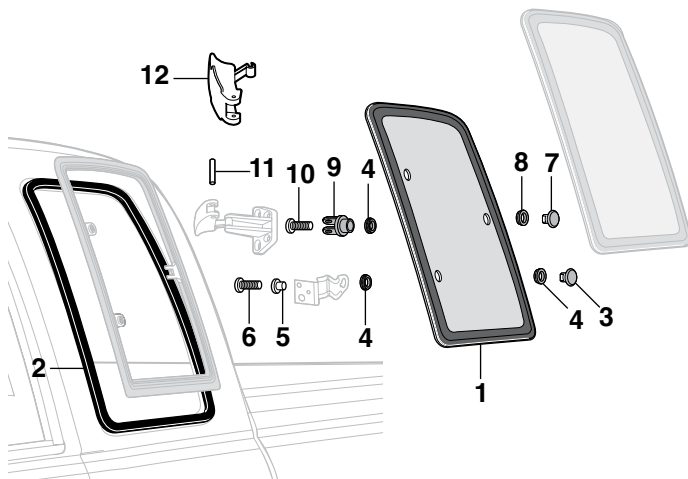


Cuts the adhesive compound used to attach windshields. Features tempered steel blade with knurled handles for extra grip and leverage.

PART	DESCRIPTION	APPLICATION	REQD	PRICE
38-0732	WINDSHIELD REMOVAL TOOL	CHEVY GMC 88-98	(1)	\$20.95

Side Window and Components

1988-98 Chevy & GMC Truck



PART	ILL#	DESCRIPTION	APPLICATION	REQD	PRICE
39-6054	(1)	SIDE GLASS-DEEP TINT-LH	CHEVY GMC 88-98	(1)	\$149.95*
39-6055		SIDE GLASS-DEEP TINT-RH	CHEVY GMC 88-98	(1)	\$149.95*
38-8324	(2)	SIDE WINDOW RUBBER	"A" CHEVY GMC 88-94	(2)	\$15.45
31-0902	(3)	NUT	CHEVY GMC 88-98	(4)	\$2.95
31-1260	(4)	GROMMET	CHEVY GMC 88-98	(8)	\$.99
31-1261	(5)	RETAINER	"A" CHEVY GMC 88-94	(4)	\$.95
31-0543	(6)	SCREW	CHEVY GMC 88-98	(4)	\$1.95
31-0902	(7)	NUT	CHEVY GMC 88-98	(2)	\$2.95
31-1260	(8)	GROMMET	CHEVY GMC 88-98	(4)	\$.99
31-1262	(9)	BRACKET	CHEVY GMC 88-98	(2)	\$3.95
31-0543	(10)	SCREW	CHEVY GMC 88-98	(2)	\$1.95
31-0700	(11)	PIN	CHEVY GMC 88-98	(2)	\$1.95
31-1263	(12)	LATCH	"A" CHEVY GMC 88-94	(2)	\$9.95
31-1265		LATCH	"B" CHEVY GMC 94-98	(2)	\$4.95

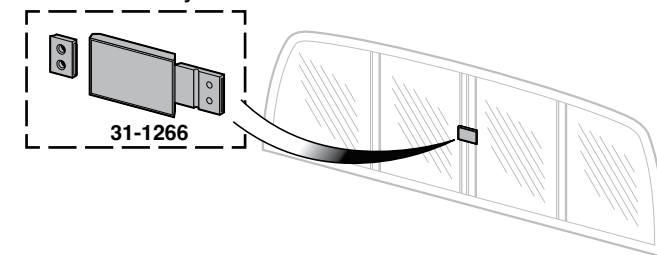
Note: "A" Models with latch riveted to cab sheet metal.
"B" Models with latch mounted to side window frame.

* Or ** after the sell price means your order will incur an Oversize Part Charge for each oversized part. * Means extra charge will be \$20. ** Means extra charge will be \$50. Due to packing and/or transportation requirements, please allow additional time for delivery. Oversized Parts are not available for air delivery.

Sliding Window Components

For OE-Style Rear Windows

1988-98 Chevy & GMC Truck

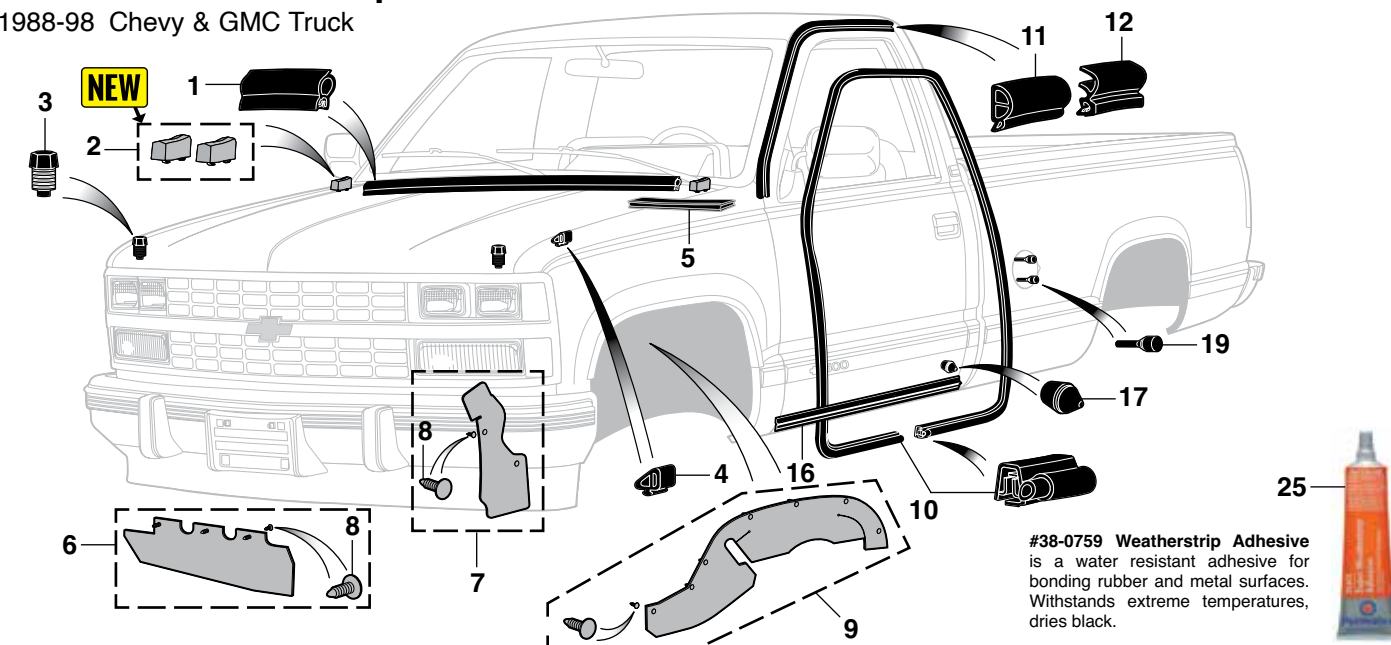


PART	DESCRIPTION	APPLICATION	REQD	PRICE
31-1266	LATCH-SLIDING RR WINDOW "A"	CHEVY GMC 88-95	(1)	\$6.95
38-0710	GLUE-LATCH "B"	CHEVY GMC 94-98	(1)	\$3.95

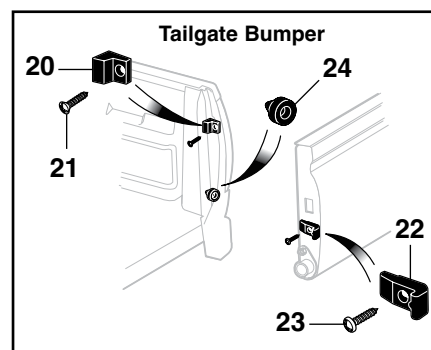
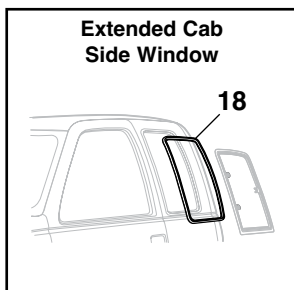
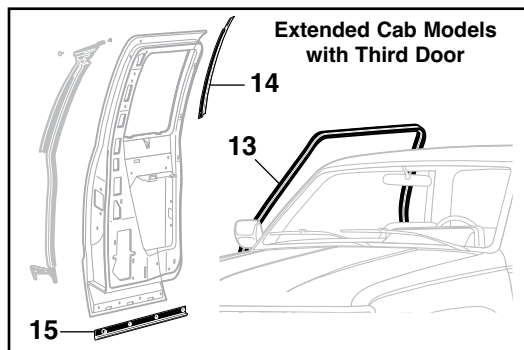
Note: "A" For models with 4-piece sliding window.
"B" For models with 3-piece sliding window.

Exterior Rubber Components

1988-98 Chevy & GMC Truck



#38-0759 Weatherstrip Adhesive is a water resistant adhesive for bonding rubber and metal surfaces. Withstands extreme temperatures, dries black.



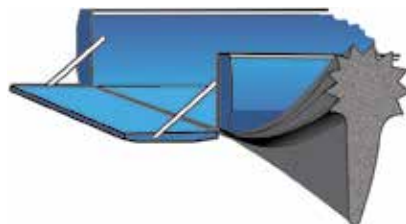
PART	ILL#	DESCRIPTION	APPLICATION	REQD	PRICE
38-8300	(1)	HOOD TO COWL SEAL	CHEVY GMC 88-98	(1)	\$13.45
38-8304	(2)	WIPER COWL SEAL SET	CHEVY GMC 88-98	(1)	\$9.95
30-1826	(3)	HOOD BUMPER-FRONT	CHEVY GMC 88-98	(2)	\$1.95
31-1842	(4)	HOOD BUMPER-SIDE	CHEVY GMC 88-98	(2)	\$3.95
31-1876	(5)	HOOD HINGE SEAL	CHEVY GMC 96-98	(2)	\$7.95
30-2415	(6)	SPLASH SHIELD-RH W/CLIPS	CHEVY GMC 88-98	(1)	\$10.95
30-2417	(7)	SPLASH SHIELD-W/CLIPS"A"	GAS 96-98	(1)	\$10.95
30-2417	(7)	SPLASH SHIELD-RH W/CLIPS	DIESEL 94-98	(1)	\$10.95
29-0836	(8)	CLIP	CHEVY GMC 88-98	(AR)	\$1.25
30-2410	(9)	SPLASH SHIELD W/CLIPS	2WD 1/2T 88-98	(2)	\$17.95
30-2410	(9)	SPLASH SHIELD W/CLIPS	"B" 2WD 3/4T 88-98	(2)	\$17.95
30-2411	(9)	SPLASH SHIELD W/CLIPS	"C" 2WD 3/4T 88-98	(2)	\$17.95
30-2412	(9)	SPLASH SHIELD W/CLIPS	4WD 1/2T 88-98	(2)	\$17.95
30-2412	(9)	SPLASH SHIELD W/CLIPS	"B" 4WD 3/4T 88-95	(2)	\$17.95
30-2413	(9)	SPLASH SHIELD W/CLIPS	"C" 4WD 3/4T 88-98	(2)	\$17.95
38-8310	(10)	DOOR WEATHERSTRIP-LH	CHEVY GMC 88-98	(1)	\$21.95
38-8310	(10)	DOOR WEATHERSTRIP-RH	W/O 3RD DOOR 88-98	(1)	\$21.95
38-8311	(11)	DOOR WEATHERSTRIP-RH	W/ 3RD DOOR 96-98	(1)	\$28.95
38-8313	(12)	DRIP WEATHERSTRIP	W/O 3RD DOOR 88-91	(2)	\$16.95
38-8314	(12)	DRIP WEATHERSTRIP	W/O 3RD DOOR 92-98	(2)	\$17.95

PART	ILL#	DESCRIPTION	APPLICATION	REQD	PRICE
38-8314	(13)	DRIP WEATHERSTRIP-LH	W/ 3RD DOOR 96-98	(1)	\$17.95
38-8315	(13)	DRIP WEATHERSTRIP-RH	W/ 3RD DOOR 96-98	(1)	\$29.95
38-8319	(14)	WEATHERSTRIP-REAR EDGE	W/ 3RD DOOR 96-98	(1)	\$9.95
38-8323	(15)	WEATHERSTRIP-LOWER	W/ 3RD DOOR 96-98	(1)	\$9.95
38-8316	(16)	LOWER-DOOR SEAL-LH	CHEVY GMC 91-98	(1)	\$14.45
38-8317	(16)	LOWER-DOOR SEAL-RH	CHEVY GMC 91-98	(1)	\$15.45
29-1410	(17)	DOOR BUMPER	CHEVY GMC 88-98	(2)	\$1.25
38-8324	(18)	SIDE WINDOW RUBBER	"D" CHEVY GMC 88-94	(2)	\$15.45
31-1818	(19)	FUEL DOOR BUMPER	FLEETSIDE 88-98	(2)	\$2.45
31-1834	(20)	RUBBER BUMPER-BED	CHEVY GMC 88-91	(2)	\$2.95
30-0454	(21)	SCREW	CHEVY GMC 88-91	(2)	\$.95
31-1836	(22)	RUBBER BUMPER-TAILGATE	CHEVY GMC 88-91	(2)	\$3.95
30-0454	(23)	SCREW	CHEVY GMC 88-91	(2)	\$.95
31-1838	(24)	RUBBER BUMPER-BED	CHEVY GMC 88-98	(2)	\$2.45
38-0759	(25)	WEATHERSTRIP ADHESIVE-BLACK 5 OUNCE TUBE			\$8.95

Note: "A" Fits models with production option K47, high capacity air cleaner.
 "B" Fits models with production option C5Z, 7,200 lb. GVW.
 "C" Fits models with production option C6P, 8,600 lb. GVW.
 "D" Models with latch riveted to cab sheet metal.

Tailgate Sealer

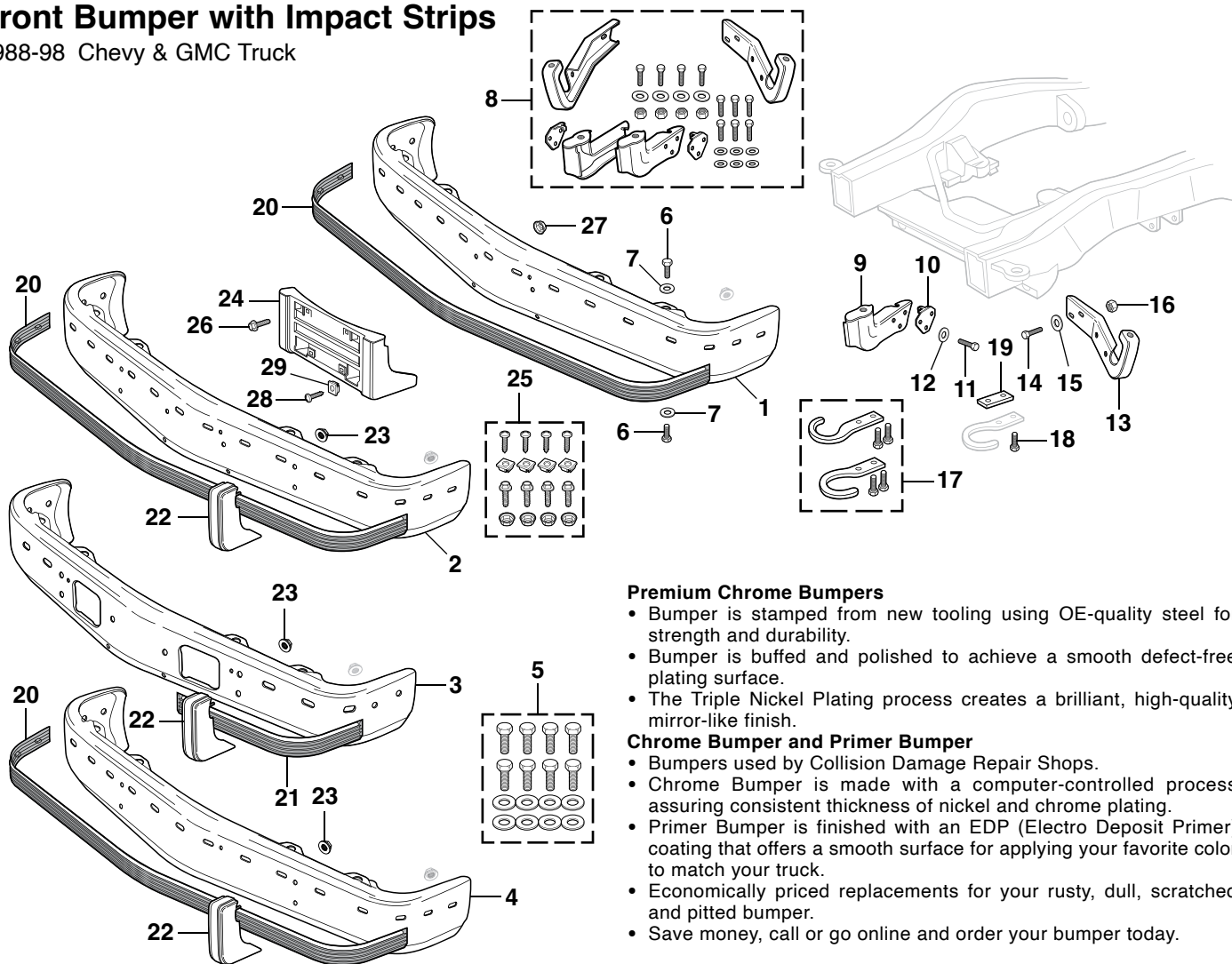
Tailgate Sealer keeps out water, dirt, wind and exhaust fumes. Excellent for use with camper shells and tonneaus. Made from high-quality EDPM rubber with easy peel-and-stick installation.



PART	DESCRIPTION	PRICE
38-3203	TAILGATE SEALER	\$15.95

Front Bumper with Impact Strips

1988-98 Chevy & GMC Truck



Premium Chrome Bumpers

- Bumper is stamped from new tooling using OE-quality steel for strength and durability.
- Bumper is buffed and polished to achieve a smooth defect-free plating surface.
- The Triple Nickel Plating process creates a brilliant, high-quality mirror-like finish.

Chrome Bumper and Primer Bumper

- Bumpers used by Collision Damage Repair Shops.
- Chrome Bumper is made with a computer-controlled process assuring consistent thickness of nickel and chrome plating.
- Primer Bumper is finished with an EDP (Electro Deposit Primer) coating that offers a smooth surface for applying your favorite color to match your truck.
- Economically priced replacements for your rusty, dull, scratched and pitted bumper.
- Save money, call or go online and order your bumper today.

PART	ILL#	DESCRIPTION	APPLICATION	REQD	PRICE
39-9805	(1)	CHROME BUMPER PREMIUM	"A" CHEVY GMC 88-98	(1)	\$239.95**
39-5205		CHROME BUMPER	"A" CHEVY GMC 88-98	(1)	\$239.95**
39-5605		PRIMER BUMPER	"A" CHEVY GMC 88-98	(1)	\$160.95**
39-9806	(2)	CHROME BUMPER PREMIUM	"B" CHEVY GMC 88-98	(1)	\$269.95**
39-5206		CHROME BUMPER	"B" CHEVY GMC 88-98	(1)	\$259.95**
39-5606		PRIMER BUMPER	"B" CHEVY GMC 88-98	(1)	\$149.95**
39-9807	(3)	CHROME BUMPER PREMIUM	"C" CHEVY GMC 88-98	(1)	\$269.95**
39-5207		CHROME BUMPER	"C" CHEVY GMC 88-98	(1)	\$299.95**
39-5607		PRIMER BUMPER	"C" CHEVY GMC 88-98	(1)	\$164.95**
39-9808	(4)	CHROME BUMPER PREMIUM	"D" CHEVY GMC 88-98	(1)	\$269.95**
39-5608		PRIMER BUMPER	"D" CHEVY GMC 88-98	(1)	\$149.95**
31-0040	(5)	BUMPER BOLT KIT-16PC	CHEVY GMC 88-98	(8)	\$5.95
29-0206	(6)	BUMPER BOLT	CHEVY GMC 88-98	(8)	\$1.45
29-0412	(7)	FLAT WASHER	CHEVY GMC 88-98	(8)	\$1.25
31-3725	(8)	BUMPER BRACE KIT	CHEVY GMC 88-93	(1)	\$96.95
31-3726		BUMPER BRACE KIT	CHEVY GMC 94-98	(1)	\$86.95
31-3660	(9)	BUMPER BRACE-LH	CHEVY GMC 88-93	(1)	\$18.95
31-3661		BUMPER BRACE-RH	CHEVY GMC 88-93	(1)	\$15.95
31-3662		BUMPER BRACE-LH	CHEVY GMC 94-98	(1)	\$10.95
31-3663		BUMPER BRACE-RH	CHEVY GMC 94-98	(1)	\$10.95
31-3669	(10)	PLATE-BRACE	CHEVY GMC 88-98	(2)	\$10.45
31-0275	(11)	BOLT-BRACE	CHEVY GMC 88-98	(6)	\$1.95
31-0601	(12)	FLAT WASHER	CHEVY GMC 88-98	(6)	\$.95

PART	ILL#	DESCRIPTION	APPLICATION	REQD	PRICE
31-3670	(13)	OUTER BRACE-LH	CHEVY GMC 88-98	(1)	\$10.95
31-3671		OUTER BRACE-RH	CHEVY GMC 88-98	(1)	\$10.95
29-0206	(14)	BOLT-BRACE	CHEVY GMC 88-98	(4)	\$1.45
29-0412	(15)	FLAT WASHER	CHEVY GMC 88-98	(4)	\$1.25
40-0819-C	(16)	NUT	CHEVY GMC 88-98	(4)	\$.95
31-1550	(17)	TOW HOOK SET-CHROME	W/HARDWARE	(1)	\$114.95
31-1540		TOW HOOK SET-BLACK	W/HARDWARE	(1)	\$49.95
31-0276	(18)	BOLT	CHEVY GMC 88-98	(4)	\$1.95
31-0887	(19)	NUT PLATE	CHEVY GMC 88-98	(2)	\$4.95
31-3300	(20)	IMPACT STRIP-BLK/CHROME	CHEVY GMC 88-98	(1)	\$23.45*
31-3302		IMPACT STRIP-BLACK	CHEVY GMC 88-98	(1)	\$49.95**
31-3304	(21)	IMPACT STRIP-LH-BLK/CHROME	CHEVY GMC 88-98	(1)	\$14.95
31-3305		IMPACT STRIP-RH-BLK/CHROME	CHEVY GMC 88-98	(1)	\$14.95
31-3306		IMPACT STRIP-LH-BLACK	3/4T 88-98	(1)	\$10.95
31-3307		IMPACT STRIP-RH-BLACK	3/4T 88-98	(1)	\$10.95
31-3310	(22)	BUMPER GUARD-LH	CHEVY GMC 88-98	(1)	\$16.95
31-3311		BUMPER GUARD-RH	CHEVY GMC 88-98	(1)	\$16.95
31-0878	(23)	NUT-BUMPER GUARD	CHEVY GMC 88-98	(4)	\$.65
31-3681	(24)	LICENSE PLATE BRACKET-BLACK	CHEVY GMC 88-98	(1)	\$8.95
31-3701		LICENSE PLATE BRACKET-CHRME	CHEVY GMC 88-98	(1)	\$34.95
31-0036	(25)	BRACKET HARDWARE KIT 16PC	CHEVY GMC 88-98	(1)	\$5.95
31-0520	(26)	SCREW-BRACKET	CHEVY GMC 88-98	(4)	\$1.95
31-0878	(27)	NUT-BRACKET	CHEVY GMC 88-98	(4)	\$.65
31-0521	(28)	SCREW-LICENSE PLATE	CHEVY GMC 88-98	(4)	\$1.95
31-0886	(29)	GROMMET-LICENSE PLATE	CHEVY GMC 88-98	(4)	\$.45

Note: "A" With holes for license plate bracket.
 "B" With holes for license plate bracket and bumper guards.
 "C" With holes for license plate bracket, bumper guards and air intake holes.
 "D" With holes for bumper guards, without holes for license plate bracket.
 "E" Holes need to be drilled on impact strip for license plate bracket.

* Or ** after the sell price means your order will incur an Oversize Part Charge for each oversized part. * Means extra charge will be \$20. ** Means extra charge will be \$50. Due to packing and/or transportation requirements, please allow additional time for delivery. Oversized Parts are not available for air delivery.

Chrome Bumper and Primer Bumper

Custom Chrome Bumpers
See Page 31

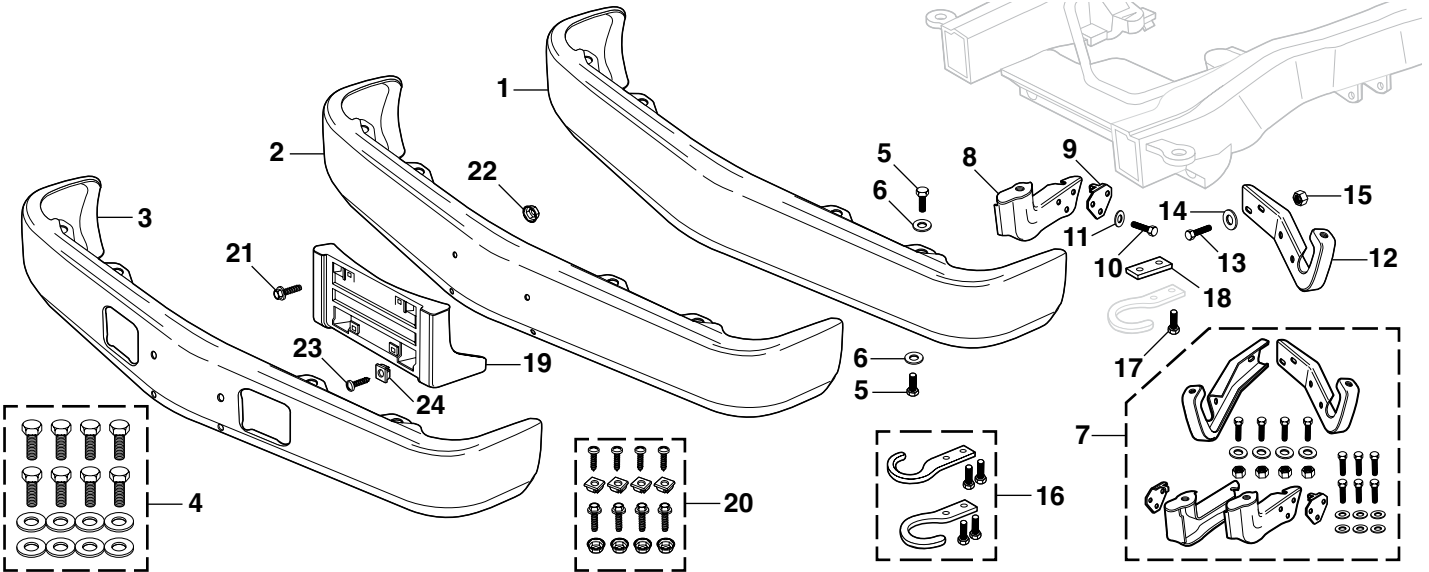


- Bumpers used by Collision Damage Repair Shops.
- Chrome Bumper is made with a computer-controlled process assuring consistent thickness of nickel and chrome plating.
- Primer Bumper is finished with an EDP (Electro Deposit Primer) coating that offers a smooth surface for applying your favorite color to match your truck.
- Economically priced replacements for your rusty, dull, scratched and pitted bumper.
- Save money, call or go online and order your bumper today.

Front Bumper without Impact Strips

1988-98 Chevy & GMC Truck

* Or ** after the sell price means your order will incur an Oversize Part Charge for each oversized part. * Means extra charge will be \$20. ** Means extra charge will be \$50. Due to packing and/or transportation requirements, please allow additional time for delivery. Oversized Parts are not available for air delivery.



PART	ILL#	DESCRIPTION	APPLICATION	REQD	PRICE
39-9802	(1)	CHROME BUMPER PREMIUM	"A" CHEVY GMC 88-98	(1)	\$289.95**
39-5202		CHROME BUMPER	"A" CHEVY GMC 88-98	(1)	\$229.95**
39-5602		PRIMER BUMPER	"A" CHEVY GMC 88-98	(1)	\$169.95**
39-9803	(2)	CHROME BUMPER PREMIUM	"B" CHEVY GMC 88-98	(1)	\$269.95**
39-5203		CHROME BUMPER	"B" CHEVY GMC 88-98	(1)	\$239.95**
39-5603		PRIMER BUMPER	"B" CHEVY GMC 88-98	(1)	\$149.95**
39-9804	(3)	CHROME BUMPER PREMIUM	"C" CHEVY GMC 88-98	(1)	\$269.95**
39-5204		CHROME BUMPER	"C" CHEVY GMC 88-98	(1)	\$259.95**
39-5604		PRIMER BUMPER	"C" CHEVY GMC 88-98	(1)	\$164.95**
31-0040	(4)	BUMPER BOLT KIT-16PC	CHEVY GMC 88-98	(1)	\$5.95
29-0206	(5)	BUMPER BOLT	CHEVY GMC 88-98	(8)	\$1.45
29-0412	(6)	FLAT WASHER	CHEVY GMC 88-98	(8)	\$1.25
31-3725	(7)	BUMPER BRACE KIT	CHEVY GMC 88-93	(1)	\$96.95
31-3726		BUMPER BRACE KIT	CHEVY GMC 94-98	(1)	\$86.95
31-3660	(8)	BUMPER BRACE-LH	CHEVY GMC 88-93	(1)	\$18.95
31-3661		BUMPER BRACE-RH	CHEVY GMC 88-93	(1)	\$15.95
31-3662		BUMPER BRACE-LH	CHEVY GMC 94-98	(1)	\$10.95
31-3663		BUMPER BRACE-RH	CHEVY GMC 94-98	(1)	\$10.95
31-3669	(9)	PLATE-BRACKET	CHEVY GMC 88-98	(2)	\$10.45
31-0275	(10)	BOLT-BRACKET	CHEVY GMC 88-98	(6)	\$1.95
31-0601	(11)	FLAT WASHER	CHEVY GMC 88-98	(6)	\$.95

PART	ILL#	DESCRIPTION	APPLICATION	REQD	PRICE
31-3670	(12)	OUTER BRACE-LH	CHEVY GMC 88-98	(1)	\$10.95
31-3671		OUTER BRACE-RH	CHEVY GMC 88-98	(1)	\$10.95
29-0206	(13)	BOLT-BRACE	CHEVY GMC 88-98	(4)	\$1.45
29-0412	(14)	FLAT WASHER	CHEVY GMC 88-98	(4)	\$1.25
40-0819-C	(15)	NUT	CHEVY GMC 88-98	(4)	\$.95
31-1550	(16)	TOW HOOK SET-CHROME	W/HARDWARE	(1)	\$114.95
31-1540		TOW HOOK SET-BLACK	W/HARDWARE	(1)	\$49.95
31-0276	(17)	BOLT	CHEVY GMC 88-98	(4)	\$1.95
31-0887	(18)	NUT PLATE	CHEVY GMC 88-98	(2)	\$4.95
31-3680	(19)	LICENSE PLATE BRACKET-BLACK	CHEVY GMC 88-98	(1)	\$9.95
31-3700		LICENSE PLATE BRACKET-CHROME	CHEVY GMC 88-98	(1)	\$35.45
31-0036	(20)	BRACKET HARDWARE KIT-16PC	CHEVY GMC 88-98	(1)	\$5.95
31-0520	(21)	SCREW-BRACKET	CHEVY GMC 88-98	(4)	\$1.95
31-0878	(22)	NUT-BRACKET	CHEVY GMC 88-98	(4)	\$.65
31-0521	(23)	SCREW-LICENSE PLATE	CHEVY GMC 88-98	(4)	\$.95
31-0886	(24)	GROMMET-LICENSE PLATE	CHEVY GMC 88-98	(4)	\$1.45

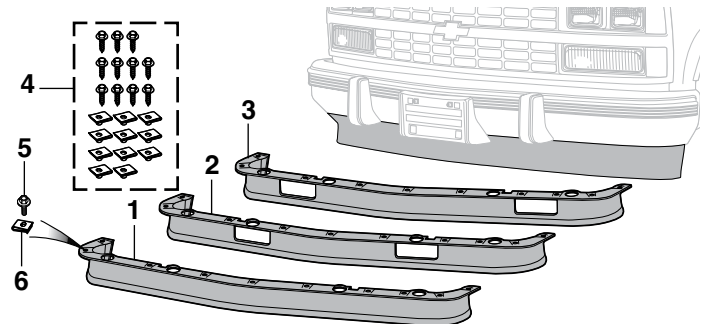
Note: "A" Smooth bumper, without holes for license plate bracket.
"B" With holes for license plate bracket.
"C" With holes for license plate bracket and two air intake holes.

Air Deflectors

1988-98 Chevy & GMC Truck

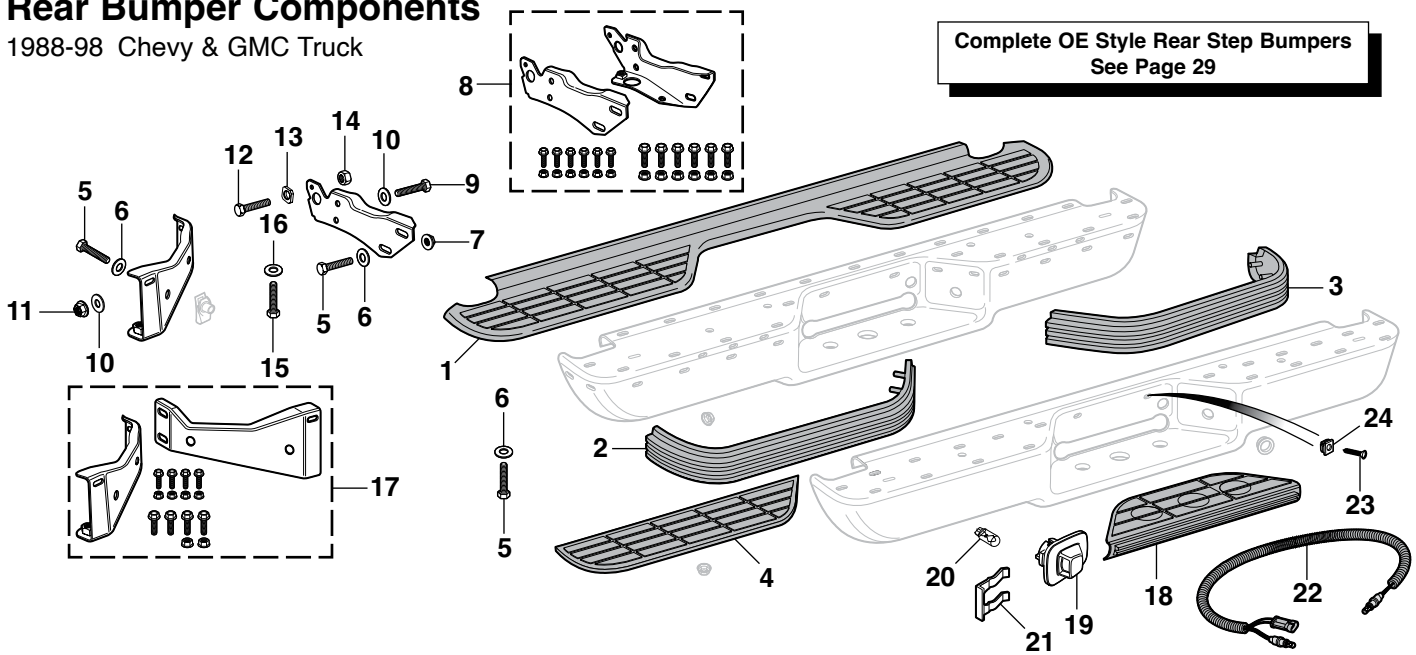
PART	ILL#	DESCRIPTION	APPLICATION	REQD	PRICE
39-7400	(1)	AIR DEFLECTOR	CHEVY GMC 88-98	(1)	\$11.95
39-7401	(2)	AIR DEFLECTOR	"A" CHEVY GMC 88-98	(1)	\$11.95
39-7402	(3)	AIR DEFLECTOR	"B" 2WD 1/2T 89-97	(1)	\$25.45
30-0993	(4)	DEFLECTOR HARDWARE KIT-22PC	CHEVY GMC 88-98	(1)	\$10.95
31-0203	(5)	BOLT-AIR DEFLECTOR	CHEVY GMC 88-98	(11)	\$.65
29-0542	(6)	NUT-AIR DEFLECTOR	CHEVY GMC 88-98	(11)	\$.95

Note: "A" With tow hook holes.
"B" With fog light holes.



Rear Bumper Components

1988-98 Chevy & GMC Truck



Complete OE Style Rear Step Bumpers
See Page 29

PART	ILL#	DESCRIPTION	APPLICATION	REQD	PRICE
31-3330	(1)	PAD-MODEL W/O IMPACT STRIPS	FLEETSIDE 88-98	(1)	\$29.95*
31-3331		PAD-MODEL W/IMPACT STRIPS	FLEETSIDE 88-98	(1)	\$29.95*
31-3334		PAD-MODEL W/IMPACT STRIPS	STEPSIDE 88-98	(1)	\$29.95*
31-3340	(2)	IMPACT STRIP-LH-BLACK	CHEVY GMC 88-98	(1)	\$15.95
31-3341	(3)	IMPACT STRIP-RH-BLACK	CHEVY GMC 88-98	(1)	\$15.95
31-3332	(4)	STEP PAD-LH 2PC DESIGN	CHEVY GMC 88-98	(1)	\$81.95
29-0206	(5)	BUMPER BOLT	CHEVY GMC 88-98	(8)	\$1.45
29-0412	(6)	FLAT WASHER	CHEVY GMC 88-98	(8)	\$1.25
40-0819-C	(7)	NUT	CHEVY GMC 88-98	(4)	\$.95
31-3716	(8)	BUMPER BRACKET KIT-INNER	1/2T 88-98	(1)	\$32.95
31-3716		BUMPER BRACKET KIT-INNER"A"	3/4T 88-98	(1)	\$32.95
31-3717		BUMPER BRACKET KIT-INNER"B"	3/4T 88-98	(1)	\$39.95
29-0206	(9)	BOLT-BRACKET	CHEVY GMC 88-98	(4)	\$1.45
29-0412	(10)	FLAT WASHER	CHEVY GMC 88-98	(8)	\$1.25
40-0819-C	(11)	NUT	CHEVY GMC 88-98	(4)	\$.95
29-0254	(12)	BOLT-BRACKET	1/2T 88-98	(2)	\$.95
29-0254		BOLT-BRACKET "A"	3/4T 88-98	(2)	\$.95
29-0206		BOLT-BRACKET "B"	3/4T 88-98	(2)	\$1.45

* Or ** after the sell price means your order will incur an Oversize Part Charge for each oversized part. * Means extra charge will be \$20. ** Means extra charge will be \$50. Due to packing and/or transportation requirements, please allow additional time for delivery. Oversized Parts are not available for air delivery.

PART	ILL#	DESCRIPTION	APPLICATION	REQD	PRICE
31-0603	(13)	FLAT WASHER	1/2T 88-98	(2)	\$3.95
31-0603		FLAT WASHER "A"	3/4T 88-98	(2)	\$3.95
29-0412		FLAT WASHER "B"	CHEVY GMC 88-98	(2)	\$1.25
31-0882	(14)	TORQUE LOCK NUT	1/2T 88-98	(2)	\$1.35
31-0882		TORQUE LOCK NUT "A"	3/4T 88-98	(2)	\$1.35
40-0819-C		NUT "B"	3/4T 88-98	(2)	\$.95
29-0206	(15)	BOLT-BRACKET	CHEVY GMC 88-98	(2)	\$1.45
29-0412	(16)	FLAT WASHER	CHEVY GMC 88-98	(2)	\$1.25
31-3718	(17)	BUMPER BRACKET KIT-OUTER	CHEVY GMC 88-98	(1)	\$39.95
31-3337	(18)	STEP PAD-CENTER	"C" CHEVY GMC 97-98	(1)	\$14.95
29-8427	(19)	LICENSE LAMP-CHROME	CHEVY GMC 88-98	(2)	\$5.95
37-4334		LICENSE LAMP-PAINTABLE	CHEVY GMC 88-98	(2)	\$6.95
36-0224	(20)	REPLACEMENT BULB-CLEAR	CHEVY GMC 88-98	(2)	\$.65
29-0814	(21)	RETAINER	CHEVY GMC 88-98	(1)	\$1.95
37-4331	(22)	LICENSE PLATE LAMP HARNESS	CHEVY GMC 88-98	(1)	\$14.95
40-0478-C	(23)	SCREW-LICENSE PLATE	CHEVY GMC 88-98	(AR)	\$.65
31-0886	(24)	GROMMET-LICENSE PLATE	CHEVY GMC 88-98	(AR)	\$1.45

Note: "A" Fits models with production option C5Z, 7,200 lb. GVW.
"B" Fits models with production option C6P, 8,600 lb. GVW.
"C" Pad marked for 500 lb. tongue and 5,000 lb. trailer load.

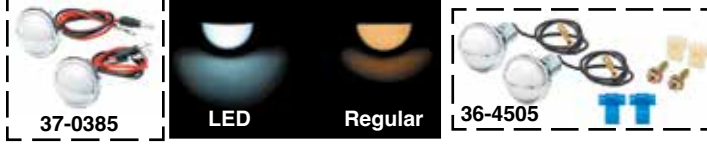
Diamond Tread Fleetside Replacement Rear Bumper ...
8,000 Pound Trailer Weight Capacity



Diamond Tread Bumper is made from die-formed construction tested to a maximum 800 pounds tongue weight and 8,000 pounds trailer weight. Do not exceed truck manufacturer's recommended towing capacity. Bumper features a long-lasting, durable, powder coat finish that is more resistant to chipping and fading than standard painted finishes. Also features a diamond tread surface for safe footing and a full tag area with license plate holes. Includes license plate lamps.

#37-0385 and #36-4505 fit Diamond Tread Replacement Rear Bumpers listed below only.

A Bumper Mounting Kit is Required When Installing Rear Bumpers



PART	DESCRIPTION	APPLICATION	REQD	PRICE
38-9733	DIAMOND TREAD STEP BUMPER-GRAY	FLEETSIDE 88-98	(1)	\$259.95*
38-9732	DIAMOND TREAD STEP BUMPER-PRIMER	FLEETSIDE 88-98	(1)	\$239.95*
30-2096	BUMPER MOUNTING KIT	FLEETSIDE 88-98	(1)	\$64.95

PART	DESCRIPTION	APPLICATION	REQD	PRICE
Replacement License Plate Lamp Sets				
37-0385	LED LICENSE LAMP SET		(1)	\$19.95
36-4505	REPLACEMENT LICENSE PLATE LAMP SET		(AR)	\$8.95
36-0222	REPLACEMENT BULB FITS 36-4505 LAMP		(2)	\$.65

* Or ** after the sell price means your order will incur an Oversize Part Charge for each oversized part. * Means extra charge will be \$20. ** Means extra charge will be \$50. Due to packing and/or transportation requirements, please allow additional time for delivery. Oversized Parts are not available for air delivery.

Rear Step Bumper OE Style



From the hitch assembly and step pad design to the lighting assembly, this OE Style Step Bumper matches the original bumper in every way.

- Meets all your replacement needs.
- Made from die-formed construction.
- Tested to maximum 500 lbs. tongue weight and 5,000 lbs. trailer weight.
- Kits include necessary mounting hardware and wiring harness.
- Mounts to original braces or order new bumper brace kits below.
- Bumper brace and accessories fit OE and OE style replacement rear bumpers.

Do not exceed truck manufacturer's recommended towing capacity.

PART	DESCRIPTION	APPLICATION	REQD	PRICE
Models with Impact Strips				
38-9774	REAR STEP BUMPER OE STYLE CHROME	FLEETSIDE 88-98	(1)	\$374.45*
38-9778	REAR STEP BUMPER OE STYLE CHROME	STEPSIDE 88-98	(1)	\$375.95*
38-9775	REAR STEP BUMPER OE STYLE PRIMER	FLEETSIDE 88-98	(1)	\$279.95*
38-9779	REAR STEP BUMPER OE STYLE PRIMER	STEPSIDE 88-98	(1)	\$279.95*
31-3331	STEP PAD	FLEETSIDE 88-98	(1)	\$29.95*
31-3334	STEP PAD	STEPSIDE 88-98	(1)	\$29.95*

PART	DESCRIPTION	APPLICATION	REQD	PRICE
Models without Impact Strips				
38-9776	REAR STEP BUMPER OE STYLE CHROME	FLEETSIDE 88-98	(1)	\$374.45*
38-9777	REAR STEP BUMPER OE STYLE PRIMER	FLEETSIDE 88-98	(1)	\$279.95*
31-3330	STEP PAD	FLEETSIDE 88-98	(1)	\$29.95*
License Lamp and Accessories				
31-3716	BUMPER BRACKET KIT-INNER	1/2T 88-98	(1)	\$32.95
31-3716	BUMPER BRACKET KIT-INNER	"A" 3/4T 88-98	(1)	\$32.95
31-3717	BUMPER BRACKET KIT-INNER	"B" 3/4T 88-98	(1)	\$39.95
31-3718	BUMPER BRACKET KIT-OUTER	CHEVY GMC 88-98	(1)	\$39.95
31-3337	STEP PAD-CENTER	"C" CHEVY GMC 88-98	(1)	\$14.95
31-3340	IMPACT STRIP-LH	CHEVY GMC 88-98	(1)	\$15.95
31-3341	IMPACT STRIP-RH	CHEVY GMC 88-98	(1)	\$15.95
29-8427	LICENSE LAMP-CHROME	CHEVY GMC 88-98	(2)	\$5.95
37-4334	LICENSE LAMP-PAINTABLE	CHEVY GMC 88-98	(2)	\$6.95
36-0224	REPLACEMENT BULB	CHEVY GMC 88-98	(2)	\$.65
29-0814	RETAINER	CHEVY GMC 88-98	(1)	\$1.95
37-4331	LICENSE PLATE LAMP HARNESS	CHEVY GMC 88-98	(1)	\$14.95

Note: "A" Fits models with production option C5Z, 7,200 lb. GVW.
 "B" Fits models with production option C6P, 8,600 lb. GVW.
 "C" Pad marked for 500 lb. tongue and 5,000 lb. trailer load.

* Or ** after the sell price means your order will incur an Oversize Part Charge for each oversized part. * Means extra charge will be \$20. ** Means extra charge will be \$50. Due to packing and/or transportation requirements, please allow additional time for delivery. Oversized Parts are not available for air delivery.

Custom Chrome Front Bumper Lighted

Chrome Lighted Bumpers from \$429.95**



Custom Front Bumpers are stamped from new tooling using OE-quality steel for strength and durability. Bumper is buffed and polished for a smooth defect-free plating surface. The Triple Nickel Plating process creates a brilliant, high-quality mirror-like finish. Combination Fog/Driving Light Bumper is equipped with two 5-3/4" x 2" multi-surface reflector housing fog/driving lights. Lights are installed in the bumper, complete with all necessary wiring and installation instructions.

Lights have an aluminum die-cast housing and three-tier protective finish coating, which makes the housing corrosion free. State-of-the-art reflector, in combination with a strong semi-hardened crystal glass lens, gives maximum light output. Lights use a high efficiency halogen 12V 55W replaceable bulb and are OE quality, DOT and SAE approved and are legal for on-road use. Lights come with a 3-Year Limited Warranty on light assemblies (excluding bulb). Includes one illuminated rocker switch and one 12 volt relay.

For added style, replace the white halogen bulb with a halogen blue-coated bulb. The blue-coated bulb creates an intense white light which is popular in today's new cars and trucks. Get the cool look of HID (high intensity discharge) lighting without the high price; call or go online and order yours today!



PART	DESCRIPTION	APPLICATION	REQD	PRICE
39-9892	CUSTOM CHROME BUMPER W/2 LIGHTS W/LICENSE HOLES	CHEVY GMC 88-98	(1)	\$459.95**
39-9889	CUSTOM CHROME BUMPER W/2 LIGHTS W/IMPACT STRIP HOLES/LICENSE	CHEVY GMC 88-98 BRACKET HOLES	(1)	\$429.95**
38-1269	BUMPER FOG/DRIVING LIGHT SET	CHEVY GMC 88-98	(1)	\$115.95
38-0374	HALOGEN BULB-WHITE	FOR 38-1269	(4)	\$1.95
36-0264	HALOGEN BULB-BLUE	FOR 38-1269	(4)	\$5.95
36-0316	SUPERWHITE BULB SET	FOR 38-1269	(2)	\$5.95
38-1276	LIGHT WIRING KIT	FOR 38-1269	(1)	\$29.95

* Or ** after the sell price means your order will incur an Oversize Part Charge for each oversized part. * Means extra charge will be \$20. ** Means extra charge will be \$50. Due to packing and/or transportation requirements, please allow additional time for delivery. Oversized Parts are not available for air delivery.

For More Information on Superwhite Bulb Set - See Page 146

All Chrome License Plate Brackets



All Chrome License Plate Bracket is an OE style, direct bolt-on replacement with one-piece construction that is manufactured from high-quality Injection ABS Thermoplastic. Bracket is made from new precision machined tooling and has been hand polished for smooth luster and a brighter chrome finish.

PART	DESCRIPTION	APPLICATION	REQD	PRICE
31-3700	LICENSE PLATE BRACKET-CHROME	CHEVY GMC 88-98	(1)	\$35.45
31-3701	LICENSE PLATE BRACKET-CHROME MODELS W/IMPACT STRIPS	CHEVY GMC 88-98	(1)	\$34.95
31-0036	LICENSE PLATE BRACKET HARDWARE	KIT-16PC 88-98	(1)	\$5.95

Deluxe Polishing Kit



Deluxe Polishing Kit can be used on aluminum, brass, copper, iron, steel, stainless steel and chrome, wood or even plastic. Kit includes: six 4-ounce bars of assorted polishing compounds, 12 assorted buffing wheels with 1/4" diameter shank to allow use with any standard electric drill and instructions with color-coded chart.

PART	DESCRIPTION	REQD	PRICE
38-1232	DELUXE POLISHING KIT	(1)	\$49.95

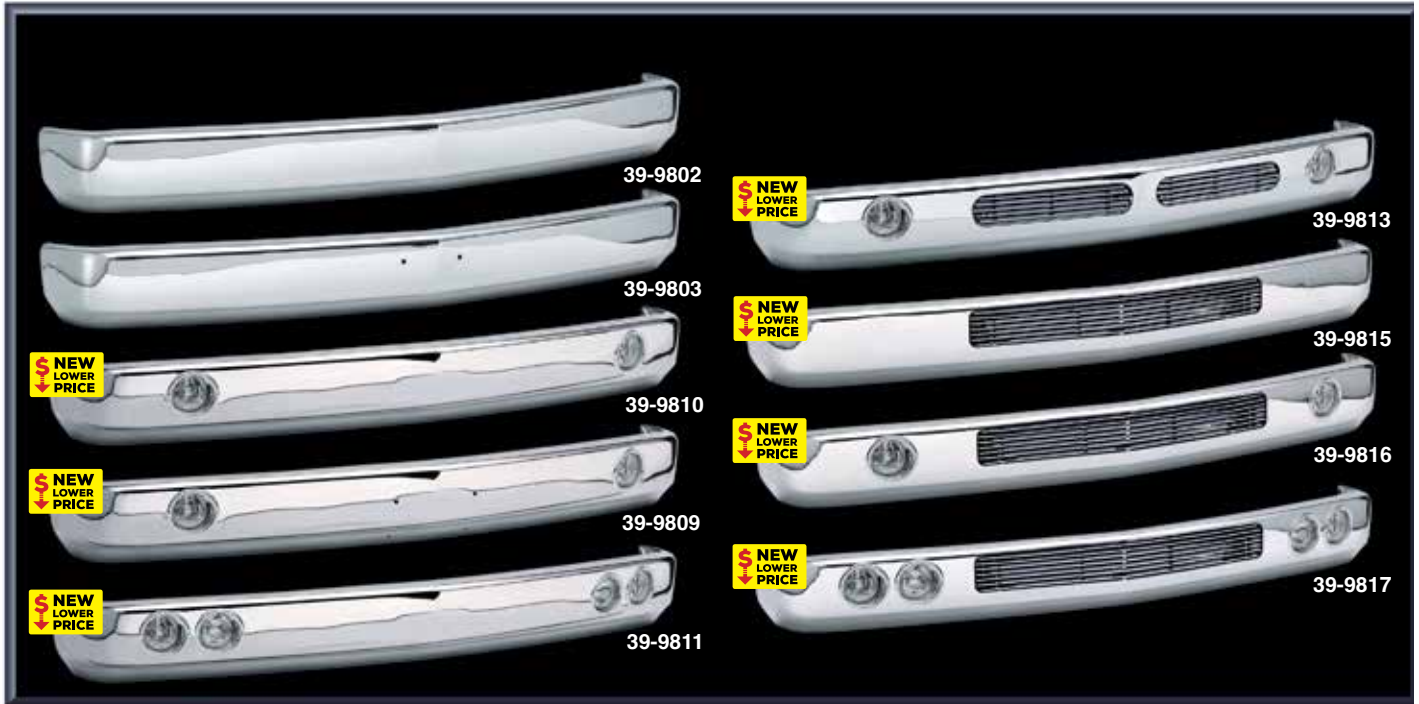
Chrome Lighted License Frame



The perfect solution for roll pans or custom bumpers that don't have lights for your license plate or if your plate is not in the stock location.

PART	DESCRIPTION	REQD	PRICE
38-1956	CHROME LIGHTED LICENSE FRAME	(AR)	\$34.55

Custom Chrome Front Bumpers



Premium Chrome Bumper

- Bumper is stamped from new tooling using OE-quality steel for strength and durability.
- Bumper is buffed and polished to achieve a smooth defect-free plating surface.
- The Triple Nickel Plating process creates a brilliant, high-quality mirror-like finish.

Available lighting choices include fog lights or driving lights. Fog lights provide a low, wide beam pattern for improved short-range vision in fog, rain or snow. Driving lights provide a longer, more focused beam pattern for improved long-range vision at highway speeds.

The 2-Light Bumper is equipped with two halogen fog lights, one illuminated rocker switch and one 12 volt relay. The 4-Light Bumper is equipped with two halogen fog lights and two halogen driving lights with two illuminated rocker switches and two 12 volt relays. Lights are installed in the bumper, complete with all necessary wiring and installation instructions.

Lights have an aluminum die-cast housing and three-tier protective finish coating, which makes the housing corrosion free. State-of-the-art reflector, in combination with a strong semi-hardened crystal glass lens, gives maximum light output from a 3-3/4" diameter light. Lights use a high efficiency halogen 12V 55W replaceable bulb and are OE quality, DOT and SAE approved and are legal for on-road use. Lights come with a 3-Year Limited Warranty on light assemblies (excluding bulb).

Primer Bumper

- Bumper is finished with an EDP (Electro Deposit Primer) coating that offers a smooth surface for applying your favorite color to match your truck.
- Economically priced replacements for your rusty, dull, scratched and pitted bumper.
- Primer Bumper used by Collision Damage Repair Shops.
- Save money, call or go online and order your bumper today.

PART	DESCRIPTION	APPLICATION	REQD	PRICE
39-5602	PRIMER BUMPER "A" SMOOTHIE		(1)	\$169.95**
39-5603	PRIMER BUMPER SMOOTHIE W/ LICENSE HOLES		(1)	\$149.95**

Note: "A" Without holes for license plate bracket.



For added style, replace the white halogen bulb with a halogen blue-coated bulb. The blue-coated bulb creates an intense white light which is popular in today's new cars and trucks. Get the cool look of HID (high intensity discharge) lighting without the high price; call or go online and order yours today!

For More Information on Superwhite Bulb Set - See Page 146

PART	DESCRIPTION	APPLICATION	REQD	PRICE
39-9802	CHROME BUMPER "A" SMOOTHIE		(1)	\$289.95**
39-9803	CHROME BUMPER SMOOTHIE W/ LICENSE HOLES		(1)	\$269.95**
39-9810	CHROME BUMPER "A" W/2 LIGHTS		(1)	\$299.95**
39-9809	CHROME BUMPER W/2 LIGHTS W/ LICENSE HOLES		(1)	\$349.95**
39-9811	CHROME BUMPER "A" W/4 LIGHTS		(1)	\$359.95**

Premium Chrome Front Bumpers with 4MM Billet Inserts

39-9813	CHROME BUMPER "A" W/2 LIGHTS	W/TWO INSERTS	(1)	\$359.95**
39-9815	CHROME BUMPER "A"	W/ONE INSERT	(1)	\$329.95**
39-9816	CHROME BUMPER "A" W/2 LIGHTS	W/ONE INSERT	(1)	\$459.95**
39-9817	CHROME BUMPER "A" W/4 LIGHTS	W/ONE INSERT	(1)	\$499.95**

PART	DESCRIPTION	APPLICATION	REQD	PRICE
Replacement Bumper Lights				
38-1265	BUMPER FOG LIGHT SET	CHEVY GMC 88-98	(1)	\$80.95
38-1268	BUMPER DRIVING LIGHT SET	CHEVY GMC 88-98	(1)	\$60.95
38-0374	HALOGEN BULB WHITE FOR 38-1265	OR 38-1268	(AR)	\$1.95
36-0264	HALOGEN BULB BLUE FOR 38-1265	OR 38-1268	(AR)	\$5.95
36-0316	SUPERWHITE BULB SET FOR 38-1265	OR 38-1268	(AR)	\$5.95

38-1275 LIGHT WIRING KIT FOR 2 LIGHTS (AR) \$25.95
 * Or ** after the sell price means your order will incur an Oversize Part Charge for each oversized part. * Means extra charge will be \$20. ** Means extra charge will be \$50. Due to packing and/or transportation requirements, please allow additional time for delivery. Oversized Parts are not available for air delivery.

Custom Valances



37-7883 Custom Chrome Valance with Lights and Insert



Custom Chrome Front Valances

Custom Chrome Valances are stamped from new tooling using OE quality steel which is then buffed and polished to achieve a smooth defect-free plating surface. Three layers of nickel – semi-bright nickel, strike nickel and bright nickel – are applied to form the base for chrome plating to create an exceptionally smooth plating surface with a high-quality mirror-like finish. Mounting hardware is included.

PART	DESCRIPTION	APPLICATION	REQD	PRICE
37-7880	CUSTOM CHROME VALANCE	SMOOTHIE	88-98 (1)	\$269.95*

Custom Chrome Lighted Valances

Custom Lighted Valances are complete with OE quality halogen fog lights, illuminated rocker switch, 12 volt relay, wiring and installation instructions. The halogen lights have an OE quality aluminum diecast housing and three-tier protective finish coating, making the housing corrosion free. State-of-the-art reflector combined with strong semi-hardened crystal glass lens give the maximum light output from a 3-3/4" diameter light. The halogen lamps use a high-efficiency halogen 12 volt 55W replaceable bulb. Lights are DOT and SAE approved and are legal for road use. Lights come with 3 Year Limited Warranty.

PART	DESCRIPTION	APPLICATION	REQD	PRICE
37-7882	CUSTOM CHROME VALANCE W/LIGHT		88-98 (1)	\$329.95*
37-7883	CUSTOM CHROME VALANCE W/LIGHT W/ 4MM INSERT		88-98 (1)	\$350.95*

* Or ** after the sell price means your order will incur an Oversize Part Charge for each oversized part. * Means extra charge will be \$20. ** Means extra charge will be \$50. Due to packing and/or transportation requirements, please allow additional time for delivery. Oversized Parts are not available for air delivery.

Custom Paintable Front Valances

Custom Paintable Valances are made from the same tooling as Custom Chrome Valances but have a high-quality powder coat finish which offers a smooth surface for applying your favorite color to match your truck. Mounting hardware included.

PART	DESCRIPTION	APPLICATION	REQD	PRICE
37-7890	CUSTOM PAINTABLE VALANCE	SMOOTHIE	88-98 (1)	\$174.95*
37-7891	CUSTOM PAINTABLE VALANCE W/ 4MM INSERT		88-98 (1)	\$229.95*
37-7892	CUSTOM PAINTABLE VALANCE W/LIGHT		88-98 (1)	\$199.95*
37-7893	CUSTOM PAINTABLE VALANCE W/LIGHT 4MM INSERT		88-98 (1)	\$299.95*



38-1266



38-1275

PART	DESCRIPTION	APPLICATION	REQD	PRICE
Fog Light Set				
38-1266	VALANCE FOG LIGHT SET		88-98 (1)	\$84.45
38-0374	HALOGEN BULB	FOR 38-1266	(2)	\$1.95
38-1275	LIGHT WIRING KIT	FOR 38-1266	(1)	\$25.95

Custom Molded Mud Guards Protect Your Truck from Rock Chips

Mud Guards are custom molded and help protect the sides of the vehicle from rock chips, mud and tar buildup. Mud guards are molded in a standard black matte finish that can be painted. Set of two fits front or rear of truck. Buy two sets for four wheel protection.

PART	DESCRIPTION	APPLICATION	REQD	PRICE
38-2660	CUSTOM MOLDED MUD GUARDS 2PC "A"	CHEVY GMC 88-98	(AR)	\$39.95

Note: "A" With or without factory wheel well flares.



38-2660

Steel Rear Roll Pans Give Your Truck a Custom Look



37-7838



37-7839



37-7847

LED License Plate Bolt Set - See Page 151

Roll Pans can eliminate stock rear bumpers for a smoother look. Easy installation. Finished with Black Electro Deposit Primer ready for painting. Check local bumper laws before ordering.



37-7854

37-7852

The Hidden Hitch has a Class III rating for towing up to 5,000 lbs. with a 500 lb. tongue weight. Bolt-on installation fits behind roll pan and has a 2" receiver.



37-7852

PART	DESCRIPTION	APPLICATION	REQD	PRICE
37-7838	REAR ROLL PAN W/O LICENSE	FLEETSIDE 88-98	(1)	\$95.95
37-7839	REAR ROLL PAN W/LICENSE "A"	FLEETSIDE 88-98	(1)	\$95.95
37-7847	REAR ROLL PAN W/LICENSE "A"	STEPSIDE 88-98	(1)	\$100.95
37-7852	HIDDEN HITCH-NO DRILL	1500 88-98	(1)	\$254.95
37-7854	LICENSE PLATE BRACKET-FLIP UP	CHEVY GMC 88-98	(1)	\$23.45
36-4419	LICENSE PLATE LAMP	CHEVY GMC 88-98	(1)	\$5.95

Note: "A" Roll Pan includes license plate lamp.

Urethane Rear Roll Pans Give Your Truck a Smooth Look



37-7830 Rear Roll Pan



37-7831 Rear Roll Pan for Dual Exhaust
LED License Plate Bolt Set - See Page 151

PART	DESCRIPTION	APPLICATION	REQD	PRICE
37-7830	REAR ROLL PAN	FLEETSIDE 88-98	(1)	\$299.95*
37-7831	REAR ROLL PAN-DUAL EXHAUST	FLEETSIDE 88-98	(1)	\$299.95*
37-7833	REAR ROLL PAN	STEPSIDE 88-98	(1)	\$299.95*
37-7844	TAIL LIGHT FILLER SET	STEEL FLEETSIDE 88-98	(1)	\$39.95

* Or ** after the sell price means your order will incur an Oversize Part Charge for each oversized part. * Means extra charge will be \$20. ** Means extra charge will be \$50. Due to packing and/or transportation requirements, please allow additional time for delivery. Oversized Parts are not available for air delivery.

Rear Roll Pans are made from tough urethane to take the knocks and still look new with a smooth look. Designed for the perfect fit and are easy to install. May be painted to match the color of the truck.

With the Tail Light Filler Set, the OE tail lights can be removed for a custom sleek look. Legal for show, competition and off-road use only. Tail lights must be relocated for street use.



37-7844

Grille Emblems



39-3402



39-3403








Emblems Include Mounting Hardware

GM Official Licensed Product is purchased from an authorized GM Licensee.

PART	DESCRIPTION	APPLICATION	REQD	PRICE
39-3402	EMBLEM "BOWTIE" W/O SPORT	CHEVY 88-93	(1)	\$103.95
39-3403	EMBLEM "BOWTIE" W/SPORT	CHEVY 88-93	(1)	\$82.95
31-0871	NUT-EMBLEM	CHEVY 88-98	(2)	\$.49

Decals for Chevrolet

1988-98 Chevy Truck

<p>Bedside</p>  <p>39-0116</p>  <p>39-0124</p>	<p>Engine Compartment</p>  <p>36-9870</p>  <p>36-9841</p>
<p>Chevrolet</p>  <p>38-0111</p>  <p>38-0239-BL</p>	<p>Tailgate</p>  <p>39-0133</p>

GM Official Licensed Product is purchased from an authorized GM Licensee.

PART	DESCRIPTION	APPLICATION	REQD	PRICE
39-0116	4X4 LIGHT GRAY/RED	4WD 88-98	(2)	\$60.75
39-0117	4X4 DARK GRAY/RED	4WD 88-98	(2)	\$71.95
39-0124	Z71 OFF ROAD LIGHT GRAY/RED	4WD 89-98	(2)	\$70.95
39-0125	Z71 OFF ROAD DARK GRAY/RED	4WD 89-98	(2)	\$69.95
38-0111	DECAL-"BOWTIE" WHITE ON BLUE 7"	CHEVY 88-98	(1)	\$9.45
38-0112	DECAL-"BOWTIE" WHITE ON BLUE 13"	CHEVY 88-98	(1)	\$10.45
38-0202	DECAL-"BOWTIE" CLEAR ON BLUE 7"	CHEVY 88-98	(1)	\$9.45
38-0203	DECAL-"BOWTIE" CLEAR ON BLUE 13"	CHEVY 88-98	(1)	\$10.45





PART	DESCRIPTION	APPLICATION	REQD	PRICE
38-0239-BL	DECAL-CHEVY BOWTIE BLACK 12"	CHEVY 88-98	(1)	\$10.95
38-0239-LL	DECAL-CHEVY BOWTIE BLUE 12"	CHEVY 88-98	(1)	\$10.95
38-0239-GD	DECAL-CHEVY BOWTIE GOLD 12"	CHEVY 88-98	(1)	\$10.95
38-0239-RD	DECAL-CHEVY BOWTIE RED 12"	CHEVY 88-98	(1)	\$10.95
38-0239-WH	DECAL-CHEVY BOWTIE WHITE 12"	CHEVY 88-98	(1)	\$10.95
36-9870	DECAL-DRIVE BELT	CHEVY 90-93	(1)	\$10.45
36-9841	DECAL-EMISSIONS 5.0L	CHEVY 91	(1)	\$13.95
39-0133	CHEVROLET DARK GRAY "A"	FLEETSIDE 88-98	(1)	\$80.25

Note: "A" Fits models without Sports Package.

Decals for GMC

1988-98 GMC Truck

Vinyl Edge Sealer Pen - See Page 152

<p>Bedside</p>  <p>39-0116</p>  <p>39-0124</p>	<p>Engine Compartment</p>  <p>36-9870</p>  <p>36-9841</p>
---	---

PART	DESCRIPTION	APPLICATION	REQD	PRICE
39-0116	4X4 LIGHT GRAY/RED	4WD 88-98	(2)	\$60.75
39-0117	4X4 DARK GRAY/RED	4WD 88-98	(2)	\$71.95
39-0124	Z71 OFF ROAD LIGHT GRAY/RED	4WD 89-98	(2)	\$70.95
39-0125	Z71 OFF ROAD DARK GRAY/RED	4WD 89-98	(2)	\$69.95

GM Official Licensed Product is purchased from an authorized GM Licensee.

PART	DESCRIPTION	APPLICATION	REQD	PRICE
36-9870	DECAL-DRIVE BELT	GMC 90-93	(1)	\$10.45
36-9841	DECAL-EMISSIONS 5.0L	GMC 91	(1)	\$13.95

Emblems for Chevrolet

1988-98 Chevy Truck



GM Official Licensed Product is purchased from an authorized GM Licensee.

Emblems Include Adhesive Backing

PART	DESCRIPTION	APPLICATION	REQD	PRICE		PART	DESCRIPTION	APPLICATION	REQD	PRICE
Cab Emblems					Door Emblem					
39-3511	EMBLEM "CHEYENNE"	CHEVY	88-98 (2)	\$35.25		39-3521	EMBLEM "BOWTIE 1500"	"A" "B"	1/2T 88-98 (2)	\$114.25
39-3512	EMBLEM "SILVERADO"	CHEVY	88-98 (2)	\$70.95	Note: "A" Fits models without Sports Package. "B" Emblem attaches to original body molding.					

Emblems for GMC

1997-98 GMC Truck

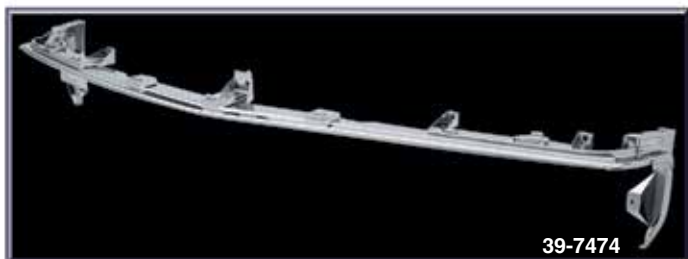
Emblems Include Adhesive Backing



GM Official Licensed Product is purchased from an authorized GM Licensee.

PART	DESCRIPTION	APPLICATION	REQD	PRICE		PART	DESCRIPTION	APPLICATION	REQD	PRICE
Cab Emblem					Tailgate Emblem					
39-3517	EMBLEM "SLE"	GMC	97-98 (2)	\$33.75		39-3549	EMBLEM "GMC"	GMC	98 (1)	\$69.95

Chrome Lower Grille Panel Set



PART	DESCRIPTION	APPLICATION	REQD	PRICE
39-7474	CHROME LWR GRILLE PANEL SET 3PC	CHEVY GMC 94-98	(1)	\$89.95*

* Or ** after the sell price means your order will incur an Oversize Part Charge for each oversized part. * Means extra charge will be \$20. ** Means extra charge will be \$50. Due to packing and/or transportation requirements, please allow additional time for delivery. Oversized Parts are not available for air delivery.

**In-Channel Slimline Window Visors
Provide Airflow and Less Wind Drag**



Slimline Window Visors locate easily and firmly into the door channel and provide fresh airflow and less wind drag plus help prevent window fogging. Available in smoke colored tough acrylic.

PART	DESCRIPTION	APPLICATION	REQD	PRICE
38-0312	IN-CHANNEL WINDOW VISORS-2PC	CHEVY GMC 88-98	(1)	\$60.95

Chrome Cab Handle Set



Chrome Cab Handles are 1" in diameter and 12" long. Mounting hardware is included.

PART	DESCRIPTION	PRICE
38-1941	CHROME CAB HANDLE SET OF 2	\$32.95

Side Window Deflectors ... Keep Your Window Open and the Rain Out



Side Window Deflectors ... The perfect addition to any truck. Keep your window open while still keeping out the wind and rain.

Made from durable ABS plastic which will bend but not break, absorbs road vibrations without fracturing. Will not discolor, fade or become brittle due to UV rays. Will not scratch or peel because it is not a laminate or painted on, but is infused into the plastic to give a hard, smooth finish.

Withstands exposure to rough conditions and extreme temperatures. Installs using 3M™ tape, included with set.

PART	DESCRIPTION	APPLICATION	REQD	PRICE
38-0315	SIDE DEFLECTOR SET 2PC	SMOKE STD CAB 88-98	(1)	\$32.95
37-7311	SIDE DEFLECTOR SET 2PC	CHROME STD CAB 88-98	(1)	\$99.95
38-0316	SIDE DEFLECTOR SET 4PC	SMOKE EXT CAB 88-98	(1)	\$49.95
37-7312	SIDE DEFLECTOR SET 4PC	CHROME EXT CAB 88-98	(1)	\$153.95

Window Visors ... Let Fresh Air In and Keep Rain Out



Window Visor allows you to keep your windows partially open to have fresh air constantly circulating while keeping rain, wind and noise out. Helps reduce damaging heat build-up and comes with one Window Visor for each door. Mounting hardware included.

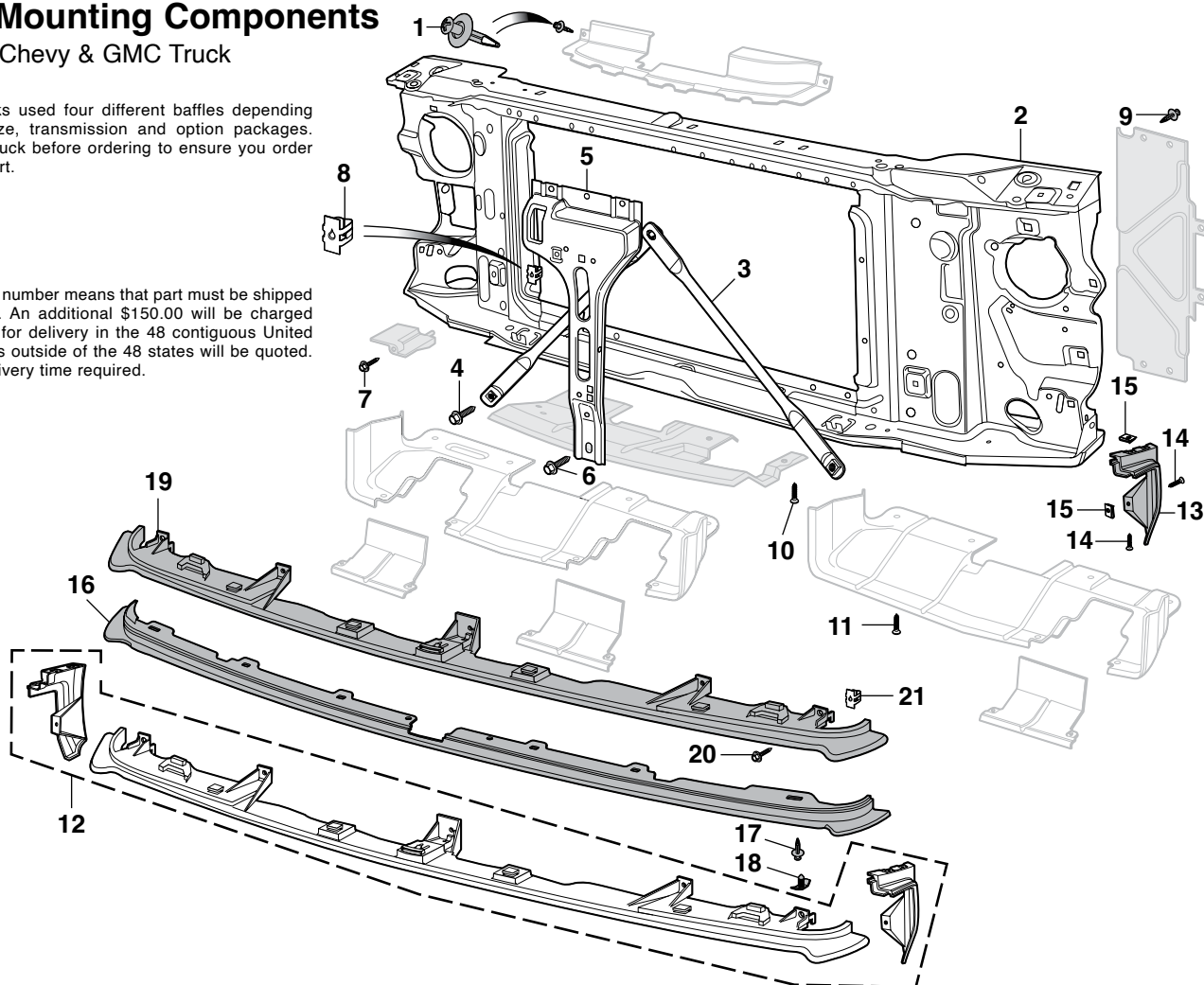
PART	DESCRIPTION	APPLICATION	REQD	PRICE
37-7305	WINDOW VISOR-STAINLESS 2PC SET	CHEVY GMC 88-98	(1)	\$59.25

Grille Mounting Components

1988-98 Chevy & GMC Truck

1992-98 trucks used four different baffles depending on engine size, transmission and option packages. Check your truck before ordering to ensure you order the correct part.

-T After a part number means that part must be shipped Truck Freight. An additional \$150.00 will be charged to your order for delivery in the 48 contiguous United States. Orders outside of the 48 states will be quoted. Additional delivery time required.



PART	ILL#	DESCRIPTION	APPLICATION	REQD	PRICE
29-0830	(1)	CLIP	CHEVY GMC 88-93	(2)	\$.95
39-9572-T	(2)	GRILLE/RADIATOR SUPPORT	CHEVY GMC 88-95	(1)	\$149.95
39-9572-T		GRILLE/RAD SUPPORT	4.3L	96-98 (1)	\$149.95
39-9572-T		GRILLE/RAD SUPPORT	"A" 5.0L	96-98 (1)	\$149.95
31-3632	(3)	BRACE	CHEVY GMC 88-98	(2)	\$12.95
31-0262	(4)	BOLT-BRACE	CHEVY GMC 88-98	(3)	\$.95
31-1520	(5)	HOOD LATCH SUPPORT	CHEVY GMC 88-98	(1)	\$9.95
31-0262	(6)	BOLT-SUPPORT	CHEVY GMC 88-98	(3)	\$.95
30-0594	(7)	SCREW-BRACKET	CHEVY GMC 94-98	(2)	\$1.25
31-0870	(8)	NUT	CHEVY GMC 94-98	(1)	\$.95
29-0830	(9)	RETAINER-PANEL	CHEVY GMC 88-93	(6)	\$.95

* Or ** after the sell price means your order will incur an Oversize Part Charge for each oversized part. * Means extra charge will be \$20. ** Means extra charge will be \$50. Due to packing and/or transportation requirements, please allow additional time for delivery. Oversized Parts are not available for air delivery.

PART	ILL#	DESCRIPTION	APPLICATION	REQD	PRICE
30-0963	(10)	SCREW	CHEVY GMC 88-98	(4)	\$.95
30-0963	(11)	SCREW	CHEVY GMC 92-98	(4)	\$.95
39-7474	(12)	LOWER GRILLE PANEL SET	CHROME	94-98 (1)	\$89.95*
39-7464	(13)	LOWER GRILLE PANEL-LH	"B" BLACK	94-98 (1)	\$6.95
39-7467		LOWER GRILLE PANEL-RH	"B" BLACK	94-98 (1)	\$6.95
30-0454	(14)	SCREW	CHEVY GMC 88-98	(6)	\$.95
30-0829	(15)	U-NUT	CHEVY GMC 88-98	(6)	\$1.25
39-7462	(16)	LOWER GRILLE PANEL-CNTR "B"	BLACK	88-93 (1)	\$23.95
29-0830	(17)	RETAINER 1ST DESIGN	CHEVY GMC 88-92	(8)	\$.95
31-1602	(18)	RETAINER 2ND DESIGN	CHEVY GMC 92-93	(8)	\$1.45
39-7466	(19)	LOWER GRILLE PANEL-CNTR "B"	BLACK	94-98 (1)	\$12.95
30-0594	(20)	SCREW	CHEVY GMC 94-98	(5)	\$1.25
31-0870	(21)	NUT	CHEVY GMC 94-98	(5)	\$.95

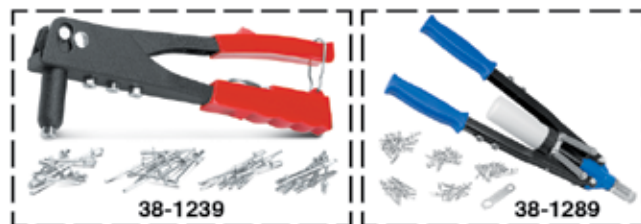
Note: "A" Fits models with 100 amp alternator.
"B" Paint to match.

Hand Riveter Set ... Makes Rivet Installation Easy

The Hand Riveter Set works great for body clips, door components, ID plates and sheet metal repairs. Comes with four nosepieces (3/32", 1/8", 5/32" and 3/16") and a wrench inside the gun's handle. 60 blind rivets included.

The Heavy-Duty Hand Riveter Set features extra long handles to give you more leverage setting rivets. A collection bottle keeps the workplace safe and clean. Includes 3/32", 1/8", 5/32", 3/16" nosepieces, plus 1/4" for larger projects like installing brackets and window regulators. Comes with a wrench and 50 blind rivets.

PART	DESCRIPTION	PRICE
38-1239	HAND RIVETER SET	\$13.95
38-1289	HAND RIVETER SET-HD	\$19.95



1988-93 Models with Single Headlights



PART	DESCRIPTION	APPLICATION	REQD	PRICE
39-4071	GRILLE-REPRO SILVER/GRAY	"A" GMC 88-93	(1)	\$84.95*

Note: "A" Fits models without Sports package.

1994-98 Models with Single Headlights



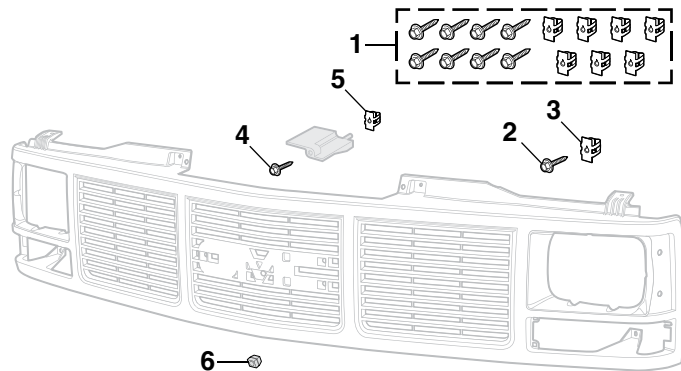
39-4081

PART	DESCRIPTION	APPLICATION	REQD	PRICE
39-4081	GRILLE-REPRO GRAY	GMC 94-98	(1)	\$49.95*

All Chrome and Custom Grilles See Pages 40

* Or ** after the sell price means your order will incur an Oversize Part Charge for each oversized part. * Means extra charge will be \$20. ** Means extra charge will be \$50. Due to packing and/or transportation requirements, please allow additional time for delivery. Oversized Parts are not available for air delivery.

Grille Mounting



PART	ILL#	DESCRIPTION	APPLICATION	REQD	PRICE
31-0073	(1)	GRILLE HARDWARE KIT-15PC	GMC 88-98	(1)	\$7.95
30-0594	(2)	SCREW-GRILLE	GMC 88-98	(AR)	\$1.25
31-0870	(3)	NUT-GRILLE	GMC 88-98	(AR)	\$.95
30-0594	(4)	SCREW-BRACKET	GMC 88-98	(1)	\$1.25
31-0870	(5)	NUT-BRACKET	GMC 88-98	(1)	\$.95
30-0815	(6)	GROMMET-LOWER	GMC 88-93	(1)	\$1.25

1988-93 Models with Dual or Composite Headlights



39-4073



39-4075

PART	DESCRIPTION	APPLICATION	REQD	PRICE
39-4073	GRILLE-REPRO CHROME/GRAY	"A" GMC 88-93	(1)	\$119.95*
39-4075	GRILLE-REPRO BLACK	"B" GMC 88-93	(1)	\$59.95*

Note: "A" Fits models without Sports package.
"B" Fits models with Sports package, paint to match.

1994-98 Models with Composite Headlights



39-4083



39-4085

PART	DESCRIPTION	APPLICATION	REQD	PRICE
39-4083	GRILLE-REPRO BLACK	"A" GMC 94-98	(1)	\$69.95*
39-4085	GRILLE-REPRO BLACK	"B" GMC 94-98	(1)	\$57.95*

Note: "A" Fits models without Sports package, paint to match.
"B" Fits models with Sports package, paint to match.

1988-98 Models with Single Headlights



39-4051



39-4061

PART	DESCRIPTION	APPLICATION	REQD	PRICE
39-4051	GRILLE-REPRO SILVER/GRAY	CHEVY "A" 88-93	(1)	\$64.95*
39-4061	GRILLE-REPRO GRAY	CHEVY 94-98	(1)	\$59.95*

Note: "A" Fits models without Work or Sports package.

All Chrome and Custom Grilles - See Pages 40 - 44

* Or ** after the sell price means your order will incur an Oversize Part Charge for each oversized part. * Means extra charge will be \$20. ** Means extra charge will be \$50. Due to packing and/or transportation requirements, please allow additional time for delivery. Oversized Parts are not available for air delivery.

Grille Emblems



39-3402



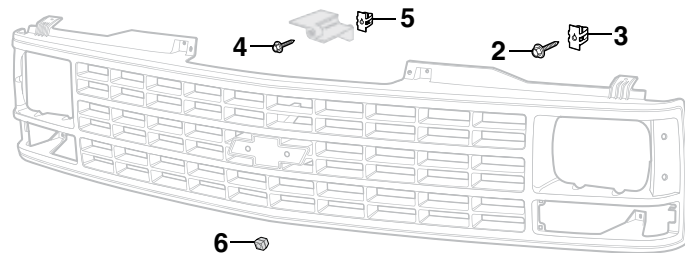
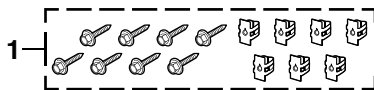
39-3403

Emblems Include Mounting Hardware

GM Official Licensed Product is purchased from an authorized GM Licensee.

PART	DESCRIPTION	APPLICATION	REQD	PRICE
39-3402	EMBLEM "BOWTIE" W/O SPORT	CHEVY 88-93	(1)	\$103.95
39-3403	EMBLEM "BOWTIE" W/SPORT	CHEVY 88-93	(1)	\$82.95
31-0871	NUT-EMBLEM	CHEVY 88-98	(2)	\$.49

Grille Mounting



PART	ILL#	DESCRIPTION	APPLICATION	REQD	PRICE
31-0073	(1)	HARDWARE KIT 15PC	CHEVY 88-98	(1)	\$7.95
30-0594	(2)	SCREW-GRILLE	CHEVY 88-98	(AR)	\$1.25
31-0870	(3)	NUT-GRILLE	CHEVY 88-98	(AR)	\$.95
30-0594	(4)	SCREW-BRACKET	CHEVY 90-98	(1)	\$1.25
31-0870	(5)	NUT-BRACKET	CHEVY 90-98	(1)	\$.95
30-0815	(6)	GROMMET-LOWER	CHEVY 88-93	(1)	\$1.25

1988-93 Models with Dual or Composite Headlights



39-4055



39-4057

PART	DESCRIPTION	APPLICATION	REQD	PRICE
39-4055	GRILLE-REPRO CHROME/GRAY	CHEVY "A" 88-93	(1)	\$129.95*
39-4057	GRILLE-REPRO BLACK	CHEVY "B" 88-93	(1)	\$64.95*

Note: "A" Fits models without Sports package.

"B" Fits models with Sports package, paint to match.

1994-98 Models with Composite Headlights



39-4063



39-4067

PART	DESCRIPTION	APPLICATION	REQD	PRICE
39-4063	GRILLE-REPRO CHROME/GRAY	CHEVY "A" 94-98	(1)	\$129.95*
39-4067	GRILLE-REPRO BLACK	CHEVY 94-98	(1)	\$59.95*

Note: "A" Fits models without Sports package.



Orders - Catalog Requests - Status

(800) 562-8782

Customer Service

(800) 222-5664

All Chrome Grilles for GMC

1988-93 GMC Truck



Keep the classic OE style but enjoy a brighter, cleaner look of all chrome at an affordable price. Grille and headlight bezel are chromed for that extra shine instead of the dull gray/black plastic in the OE grille. Mounting hardware included. Easy to install.



PART	DESCRIPTION	APPLICATION	REQD	PRICE
39-4076	GRILLE-ALL CHROME	GMC	88-93 (1)	\$139.95*

* Or ** after the sell price means your order will incur an Oversize Part Charge for each oversized part. * Means extra charge will be \$20. ** Means extra charge will be \$50. Due to packing and/or transportation requirements, please allow additional time for delivery. Oversized Parts are not available for air delivery.

1994-98 GMC Truck



Tech Tip: Grille mounting brackets can be painted black for improved looks.

PART	DESCRIPTION	APPLICATION	REQD	PRICE
39-4086	GRILLE-ALL CHROME	GMC	94-98 (1)	\$140.95*

* Or ** after the sell price means your order will incur an Oversize Part Charge for each oversized part. * Means extra charge will be \$20. ** Means extra charge will be \$50. Due to packing and/or transportation requirements, please allow additional time for delivery. Oversized Parts are not available for air delivery.

Stainless Steel Punch Grille for GMC



All Chrome Grilles for GMC - See Pages 42 - 43

Custom Headlights - See Page 145

Punch Grilles - Stainless Steel Punch Grilles give a luxurious high-performance look with heavy-gauge, mirror-finish NeveRust™ stainless steel. Installation instructions and hardware included. Lifetime warranty against rusting. For use on composite headlight models only.

Grille Overlay attaches over original grille; no cutting required.

PART	DESCRIPTION	APPLICATION	REQD	PRICE
37-8780	PUNCH GRILLE OVERLAY-STAINLESS	GMC	94-98 (1)	\$219.95

All Chrome Grille for Chevrolet



39-4058



39-4058



39-4068



39-4068

Keep the classic OE style but enjoy a brighter, cleaner look of all chrome at an affordable price. Grille and headlight bezel are chromed for that extra shine instead of the dull gray/black plastic in the OE grille. Emblem sold separately. Mounting hardware included. Easy to install.

Tech Tip: Grille mounting brackets can be painted black for improved looks.

GM Official Licensed Product is purchased from an authorized GM Licensee.

PART	DESCRIPTION	APPLICATION	REQD	PRICE
39-4058	GRILLE-ALL CHROME	CHEVY	88-93 (1)	\$139.95*
39-3402	EMBLEM "BOWTIE" GOLD/BLACK	CHEVY	88-93 (1)	\$103.95



39-3402

Emblems Include Mounting Hardware

PART	DESCRIPTION	APPLICATION	REQD	PRICE
39-4068	GRILLE-ALL CHROME	CHEVY	94-98 (1)	\$99.95*

* Or ** after the sell price means your order will incur an Oversize Part Charge for each oversized part. * Means extra charge will be \$20. ** Means extra charge will be \$50. Due to packing and/or transportation requirements, please allow additional time for delivery. Oversized Parts are not available for air delivery.

All Chrome Special Edition Grille

1988-93 Chevy & GMC Truck



39-4110

This engineer designed Special Edition Grille is made from precision machined tooling and is a blend of OEM and custom design to achieve unique and timeless styling for a Chevrolet or GMC truck. It is the next level beyond billet.

This rugged plastic all chrome grille is injection molded so there will be no bent or warped bars, no dull finish and no cumbersome brackets needed. Go from stock to style in minutes with easy installation. Grille bolts onto stock location using factory hardware.

Chevrolet Bowtie Emblem sold separately.

Special Edition Grille will fit GMC models if corresponding 1988-93 Chevrolet sidemarkers and reflectors are purchased. See pages 143 and 147 for Custom Sidemarker Sets or page 138 for stock replacement sidemarkers.

PART	DESCRIPTION	APPLICATION	REQD	PRICE
39-4110	SPECIAL EDITION CHROME GRILLE	CHEVY GMC 88-93	(1)	\$199.95*
39-3402	GRILLE EMBLEM-"BOWTIE" GOLD/BLK	CHEVY 88-93	(1)	\$103.95

* Or ** after the sell price means your order will incur an Oversize Part Charge for each oversized part. * Means extra charge will be \$20. ** Means extra charge will be \$50. Due to packing and/or transportation requirements, please allow additional time for delivery. Oversized Parts are not available for air delivery.

Emblem Includes Mounting Hardware



39-3402

GM Official Licensed Product is purchased from an authorized GM Licensee.

All Chrome Special Edition Grille

1994-98 Chevy & GMC Truck



39-4111

This engineer designed Special Edition Grille is made from precision machined tooling and is a blend of OEM and custom design to achieve unique and timeless styling for a Chevrolet or GMC truck. It is the next level beyond billet.

This rugged plastic all chrome grille is injection molded so there will be no bent or warped bars, no dull finish and no cumbersome brackets needed. Go from stock to style in minutes with easy installation. Grille bolts onto stock location using factory hardware.

Chevrolet Bowtie emblem is sold separately.

Special Edition Grille will fit GMC models if corresponding 1994-98 Chevrolet sidemarkers and reflectors are purchased. See pages 143 and 147 for Custom Sidemarkers Sets or page 138 for stock replacement sidemarkers.

PART	DESCRIPTION	APPLICATION	REQD	PRICE
39-4111	SPECIAL EDITION CHROME GRILLE	CHEVY GMC 94-98	(1)	\$209.95*
39-3402	GRILLE EMBLEM-"BOWTIE" GOLD/BLK	CHEVY 94-98	(1)	\$103.95

* Or ** after the sell price means your order will incur an Oversize Part Charge for each oversized part. * Means extra charge will be \$20. ** Means extra charge will be \$50. Due to packing and/or transportation requirements, please allow additional time for delivery. Oversized Parts are not available for air delivery.

Emblem Includes Mounting Hardware



39-3402

GM Official Licensed Product is purchased from an authorized GM Licensee.

Customize Your Chevrolet Truck with a 4MM Billet Grille



37-7656

Custom Headlights - See Pages 143 & 145

Billet Grilles - Each Billet Grille is designed for a custom fit and easy installation. They are made from aluminum with a black powder coat finish and highly polished face. Installation instructions and hardware are included.

Call or go online and order yours today!

PART	DESCRIPTION	APPLICATION	REQD	PRICE
37-7656	BILLET GRILLE-4MM BARS	"A" CHEVY	88-93 (1)	\$249.95

Note: "A" Requires cutting out plastic center of grille.

Stainless Steel Punch Grille for Chevrolet



37-8775

Punch Grilles - Stainless Steel Punch Grilles give a luxurious high-performance look with heavy-gauge, mirror-finish NeveRust™ stainless steel. Installation instructions and hardware included. Lifetime warranty against rusting. For use on composite headlight models only.

Grille Overlay attaches over original grille; no cutting required.

Custom Headlights - See Page 145

PART	DESCRIPTION	APPLICATION	REQD	PRICE
37-8775	PUNCH GRILLE OVERLAY-STAINLESS	CHEVY	94-98 (1)	\$209.95

Gift Cards Now Available

Call (800) 562-8782

Available in \$25 - \$50 - \$100

- Gift Cards are the perfect gift to ensure you are giving exactly what they want!
- Gift Cards don't expire.
- Orders must be pre-paid. Orders received before 3:00 p.m. Central Time will ship same day.
- Gift Cards can now be redeemed through the mail or by phone.



OE Style Aluminum Wheel Arch Molding ... Quick and Easy Replacement



39-7000



39-7001



39-7000

Kits are sold in sets of 4 with all necessary mounting hardware included.

PART	DESCRIPTION	APPLICATION	REQD	PRICE
39-7000	WHEEL ARCH MOLDING KIT	ALUMINUM 88-98	(1)	\$55.95
39-7010	FRONT WHEEL ARCH MOLDING-LH	ALUMINUM 88-98	(1)	\$9.95
39-7011	FRONT WHEEL ARCH MOLDING-RH	ALUMINUM 88-98	(1)	\$9.95
39-7014	REAR WHEEL ARCH MOLDING-LH	ALUMINUM 88-98	(1)	\$10.95
39-7015	REAR WHEEL ARCH MOLDING-RH	ALUMINUM 88-98	(1)	\$10.95
31-0524	MOLDING SCREW	CHROME 88-98	(22)	\$.65

PART	DESCRIPTION	APPLICATION	REQD	PRICE
39-7001	WHEEL ARCH MOLDING KIT	BLACK 88-98	(1)	\$52.95
39-7012	FRONT WHEEL ARCH MOLDING-LH	BLACK 88-98	(1)	\$14.95
39-7013	FRONT WHEEL ARCH MOLDING-RH	BLACK 88-98	(1)	\$14.95
39-7016	REAR WHEEL ARCH MOLDING-LH	BLACK 88-98	(1)	\$14.95
39-7017	REAR WHEEL ARCH MOLDING-RH	BLACK 88-98	(1)	\$14.95
31-0525	MOLDING SCREW	BLACK 88-98	(22)	\$.95

Reproduction 4X4 Fender Flares

* Or ** after the sell price means your order will incur an Oversize Part Charge for each oversized part. * Means extra charge will be \$20. ** Means extra charge will be \$50. Due to packing and/or transportation requirements, please allow additional time for delivery. Oversized Parts are not available for air delivery.



39-7660

31-0530

31-0895

These Flares are exact reproductions of the originals. They come primed black ready to paint to match the color of your truck.

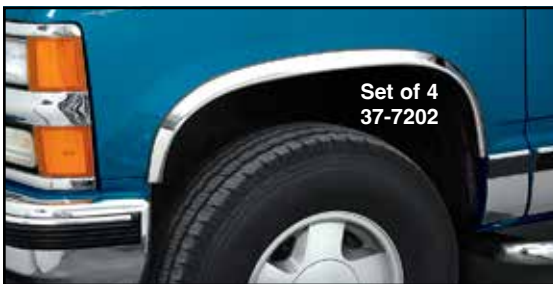
PART	DESCRIPTION	APPLICATION	REQD	PRICE
39-7660	FRONT 4X4 FENDER FLARE-LH	4WD 88-98	(1)	\$69.95*
39-7661	FRONT 4X4 FENDER FLARE-RH	4WD 88-98	(1)	\$69.95*
31-0895	NUT-FENDER FLARE	4WD 88-98	(12)	\$5.25
31-0530	SCREW-FENDER FLARE	4WD 88-98	(16)	\$1.25



39-7660

PART	DESCRIPTION	APPLICATION	REQD	PRICE
39-7684	REAR 4X4 FENDER FLARE-LH	4WD 88-98	(1)	\$59.95*
39-7685	REAR 4X4 FENDER FLARE-RH	4WD 88-98	(1)	\$59.95*
31-0895	NUT-FENDER FLARE	4WD 88-98	(16)	\$5.25
31-0530	SCREW-FENDER FLARE	4WD 88-98	(16)	\$1.25

Stainless Steel Fender Trim Molding



Set of 4
37-7202

Custom fit Polished Stainless Steel Fender Trim Molding features a mirror finish that dresses up your truck while protecting your wheel wells.

Guaranteed to fit and installs easily without bending or cutting. Rubber trim and hardware are included, drilling is required to the bottom of the wheel wells for installation. **Set of 4**

PART	DESCRIPTION	APPLICATION	REQD	PRICE
37-7202	FENDER TRIM MOLDING W/MOLDING	CHEVY GMC 88-98	(1)	\$89.95
37-7203	FENDER TRIM MOLDING W/O MOLDING	CHEVY GMC 88-98	(1)	\$99.95

Flexy-Flares™ ... To Cover Those Wide Tires

Flexy-Flares™ provide protection from mud, dirt, gravel and salt and are a necessity in many states where wide tires must be covered by a fender. Constructed from EDPM synthetic rubber, they won't crack, peel or droop in extreme temperatures. These heavy-duty flares use a wire insert on outer edge for extra strength and added rigidity, and the built-in curvature allows the flare to fit the fenderwell without wrinkles or buckling. Flexy-Flares™ extend your fenders 3" and come with hardware packs for easy installation. **Set of 4**



38-3208

PART	DESCRIPTION	APPLICATION	REQD	PRICE
38-3208	FLEXY-FLARES FENDER EXTENSION 3"	CHEVY GMC 88-98	(1)	\$99.95

Tow Hook Sets



PART	DESCRIPTION	APPLICATION	REQD	PRICE
31-1550	TOW HOOK SET-CHROME W/HARDWARE	CHEVY GMC 88-98	(1)	\$114.95
31-1540	TOW HOOK SET-BLACK W/HARDWARE	CHEVY GMC 88-98	(1)	\$49.95

Tow Hook Sets are constructed from high-strength forged steel for maximum strength. Matching the originals in size, they are manufactured to exceed original equipment specifications. Available chrome plated or with a durable powder coat finish. Heavy-duty mounting hardware included.

Stainless Steel Rocker Panel Trim Covers Up Rust and Scratches



Stainless Steel Rocker Panel Trim features a polished mirror finish that dresses up your truck and covers up rust and scratches.

Easy installation with 3M™ tape, included. No drilling required.

W/FLARES = Fits models with fender flares
W/O FLARES = Fits models without fender flares
STD = Standard Cab
EXT = Extended Cab

PART	DESCRIPTION	APPLICATION	PRICE
37-7212	ROCKER PANEL TRIM SET W/FLARES STD SHORTBED	88-98	\$231.30
37-7213	ROCKER PANEL TRIM SET W/O FLARES STD SHORTBED	88-98	\$218.32
37-7214	ROCKER PANEL TRIM SET W/FLARES EXT SHORTBED	88-98	\$231.30
37-7215	ROCKER PANEL TRIM SET W/O FLARES EXT SHORTBED	88-98	\$253.15
37-7216	ROCKER PANEL TRIM SET 3 DOOR EXT SHORTBED	96-98	\$253.15
37-7222	ROCKER PANEL TRIM SET W/FLARES STD LONGBED	88-98	\$253.15
37-7223	ROCKER PANEL TRIM SET W/O FLARES STD LONGBED	88-98	\$231.30
37-7224	ROCKER PANEL TRIM SET W/FLARES EXT LONGBED	88-98	\$253.15
37-7225	ROCKER PANEL TRIM SET W/O FLARES EXT LONGBED	88-98	\$253.15
37-7226	ROCKER PANEL TRIM SET 3 DOOR EXT LONGBED	96-98	\$253.15
37-7230	ROCKER PANEL TRIM SET STD STEPSIDE	88-98	\$231.30

Custom Flexible Chrome Trim ... Design it – Cut it – Install it



Add design accents and trim on your vehicle in traditional patterns or create a unique custom look with Flexible Universal Chrome Trim. Available in four widths, any combination of the kits can be used to achieve a desired look. Chrome ABS Trim is scratch-resistant, UV coated with a bright chrome finish and easily cuts with sharp scissors and features 3M™ adhesive peel-off backing. Pattern material is included for design and fitment of the flexible chrome laminate. Use provided sandpaper to clean up any edges or corners. Always double-check all measurements of materials needed for your design for your vehicle against available sizes of kits.

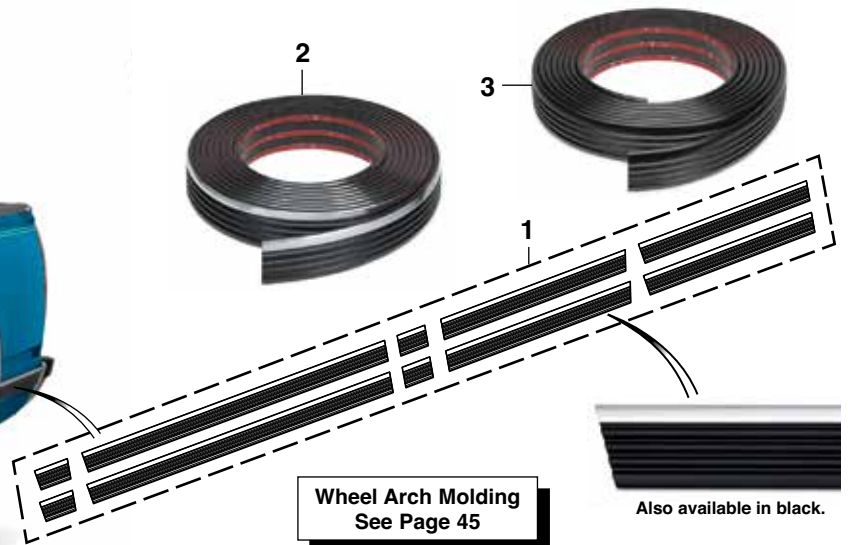
PART	DESCRIPTION	APPLICATION	REQD	PRICE
37-7280	CHROME ROCKER TRIM KIT 5PC 5" X 54"	(AR)		\$202.04
37-7281	CHROME ROCKER TRIM KIT 5PC 6" X 54"	(AR)		\$202.04
37-7282	CHROME ROCKER TRIM KIT 5PC 7" X 54"	(AR)		\$250.38
37-7283	CHROME ROCKER TRIM KIT 5PC 8" X 54"	(AR)		\$250.38
37-7284	CHROME PILLAR POST TRIM KIT 5PC 5" X 24"	(AR)		\$110.05
37-7285	CHROME FUEL DOOR SKIN KIT 1PC 8" X 8"	(AR)		\$34.28

Body Side Molding

1988-98 Chevy & GMC Truck



Adhesive Roll Molding Tech Tip: Use Vinyl Edge Sealer Pen #38-0921 on all cut ends to ensure maximum molding life.



Wheel Arch Molding
See Page 45

Pre-cut, no hassle, ready-to-install truck molding with factory formed or factory die-cut end treatments. Clear top-coated chrome mylar moldings make your truck look new again. Each pre-cut section has 3M™ tape pre-attached for an easy installation. Due to varying option packages, modification of kit contents may be required for your truck.

Note: Door emblems cannot be attached to side molding.

PART	ILL#	DESCRIPTION	APPLICATION	REQD	PRICE
Adhesive Side Molding					
39-7032	(1)	MOLDING SET-BLACK/CHROME LB	STD CAB	88-98 (1)	\$134.95
39-7033		MOLDING SET-BLACK/CHROME SB	STD CAB	88-98 (1)	\$129.95
39-7034		MOLDING SET-BLACK/CHROME LB	EXT CAB	88-98 (1)	\$144.95
39-7035		MOLDING SET-BLACK/CHROME SB	EXT CAB	88-98 (1)	\$127.95
39-7039		MOLDING SET-BLACK LONGBED	STD CAB	88-98 (1)	\$139.95
39-7040		MOLDING SET-BLACK SHORTBED	STD CAB	88-98 (1)	\$109.95
39-7041		MOLDING SET-BLACK LONGBED	EXT CAB	88-98 (1)	\$134.95
39-7042		MOLDING SET-BLACK SHORTBED	EXT CAB	88-98 (1)	\$129.95
38-0918	(2)	ADHESIVE MOLDING BLACK/CHROME "A"	CHEVY GMC	88-98 (1)	\$92.75
38-0920	(3)	ADHESIVE MOLDING-BLACK "A"	CHEVY GMC	88-98 (1)	\$87.95
38-0921	(4)	VINYL EDGE SEALER PEN .3 OZ	CHEVY GMC	88-98 (1)	\$12.95



Vinyl Edge Sealer Pen is an ultraviolet light-blocking, fast-drying, clear acrylic sealer that protects the edges of vinyl decals, graphics and the ends of adhesive chrome body moldings. It features a wedge applicator tip for a smooth, even application.

SB = Shortbed
LB = Longbed

PART	ILL#	DESCRIPTION	APPLICATION	REQD	PRICE
Joint Molding					
39-7027	(5)	ROOF JOINT MOLDING-RH "B"	EXT CAB	88-98 (1)	\$29.95
31-1358	(6)	RETAINER	CHEVY GMC	88-98 (AR)	\$2.95

Note: "A" Must be sized and cut to fit. Comes in a 2-5/8" x 26-foot roll.
"B" Paint to match.

Tailgate Band

1988-98 Chevy Truck



39-3540

Replace your faded, missing or damaged tailgate band or add one to a truck that never had one with this newly available reproduction of the original. Licensed by GM it is an exact reproduction of the original and features a strong adhesive backing.

GM Official Licensed Product is purchased from an authorized GM Licensee.

PART	DESCRIPTION	APPLICATION	REQD	PRICE
39-3540	TAILGATE BAND "CHEVROLET"	FLEETSIDE 88-98	(1)	\$299.95*

* Or ** after the sell price means your order will incur an Oversize Part Charge for each oversized part. * Means extra charge will be \$20. ** Means extra charge will be \$50. Due to packing and/or transportation requirements, please allow additional time for delivery. Oversized Parts are not available for air delivery.

Tow Mirror Set

1988-98 Chevy & GMC Truck



Front View

37-7625



38-5854 Extended

These rugged telescoping Tow Mirror Sets are designed to replace existing mirrors without any modifications. Each mirror head contains an 8"H x 7"W flat glass mirror and a 3-1/2"H x 7"W convex glass mirror. Mirrors can be manually extended 4" outward. Mounting hardware included.

Mirror covers are made from automotive grade ABS plastic finished with a high quality chrome finish and are designed to withstand harsh conditions. Installs quickly and securely with preapplied 3M™ tape. Mirror covers require no drilling or cutting.

PART	DESCRIPTION	APPLICATION	REQD	PRICE
38-5854	TOW MIRROR SET-MANUAL	CHEVY GMC 88-98	(1)	\$149.95
38-5881	TOW MIRROR SET-POWER	CHEVY GMC 88-98	(1)	\$159.95
37-7625	TOW MIRROR COVER SET-CHROME	CHEVY GMC 88-98	(1)	\$109.95

GM Style Reproduction Chrome Door Mirrors



39-5874

Chrome Door Mirrors have durable mirror heads that are manufactured from high-quality Injection ABS Thermoplastic with mirror bases that are cast metal with gloss black finish. They are OE style, direct bolt-on replacements and include mounting hardware and rubber door gasket.

#39-5874 and #39-5875 were original for 1992-98 trucks and can be used on 1988-91 models.

PART	DESCRIPTION	APPLICATION	REQD	PRICE
39-5874	DOOR MIRROR-LH-CHROME	MANUAL CHEVY GMC 88-98	(1)	\$59.95
39-5875	DOOR MIRROR-RH-CHROME	MANUAL CHEVY GMC 88-98	(1)	\$59.95
39-5876	DOOR MIRROR-LH-CHROME	POWER CHEVY GMC 92-98	(1)	\$64.95
39-5877	DOOR MIRROR-RH-CHROME	POWER CHEVY GMC 92-98	(1)	\$64.95

GM Style Reproduction Manual Door Mirrors

1988-98 Chevy & GMC Truck



39-5882



39-5884 and 39-5886

Door Mirrors Include Mounting Hardware

PART	DESCRIPTION	APPLICATION	REQD	PRICE
39-5882	DOOR MIRROR-LH-BLACK	CHEVY GMC 88-98	(1)	\$32.95
39-5883	DOOR MIRROR-RH-BLACK	CHEVY GMC 88-98	(1)	\$32.95
39-5884	DOOR MIRROR-LH-CHROME	CHEVY GMC 88-98	(1)	\$36.95
39-5885	DOOR MIRROR-RH-CHROME	CHEVY GMC 88-98	(1)	\$36.95
39-5886	DOOR MIRROR-LH-STAINLESS	CHEVY GMC 88-98	(1)	\$36.95
39-5887	DOOR MIRROR-RH-STAINLESS	CHEVY GMC 88-98	(1)	\$36.95
31-0876	NUT-DOOR MIRROR	CHEVY GMC 88-98	(6)	\$.65

GM Style Reproduction Door Mirrors

1988-98 Chevy & GMC Truck

Door Mirrors Include



39-5888



39-5890

#39-5888 and #39-5889 were original for 1992-98 trucks and can be used on 1988-91 models.

PART	DESCRIPTION	APPLICATION	REQD	PRICE
Manual Door Mirrors				
39-5888	DOOR MIRROR-LH-BLACK	MANUAL CHEVY GMC 88-98	(1)	\$29.95
39-5889	DOOR MIRROR-RH-BLACK	MANUAL CHEVY GMC 88-98	(1)	\$29.95
31-0876	NUT-DOOR MIRROR	CHEVY GMC 88-98	(6)	\$.65
Power Door Mirrors				
39-5890	DOOR MIRROR-LH-BLACK	POWER CHEVY GMC 92-98	(1)	\$37.95
39-5891	DOOR MIRROR-RH-BLACK	POWER CHEVY GMC 92-98	(1)	\$37.95
31-0876	NUT-DOOR MIRROR	CHEVY GMC 92-98	(6)	\$.65

Reproduction Sport Package Door Mirror

1988-98 Chevy & GMC Truck

Door Mirrors Include Mounting Hardware



39-5880

PART	DESCRIPTION	APPLICATION	REQD	PRICE
39-5880	DOOR MIRROR-LH-BLACK	CHEVY GMC 88-98	(1)	\$54.95
39-5881	DOOR MIRROR-RH-BLACK	CHEVY GMC 88-98	(1)	\$54.95
31-0876	NUT-DOOR MIRROR	CHEVY GMC 88-98	(6)	\$.65

Custom Towing Mirror

1988-98 Chevy & GMC Truck



38-5880

This Custom Towing Mirror slides over your mirror without obstructing its view. It provides an extended view for towing and leaves no marks on your truck. All durable corrosion resistant construction installs easily and securely with no tools required. Towing mirrors are required in many states so call or go online and order yours today.

#38-5880 Fits mirrors #39-5882, #39-5883, #39-5884, #39-5885, #39-5886 and #39-5887.

#39-5894 Fits mirrors #39-5888, #39-5890, #39-5874 and #39-5876.

#39-5895 Fits mirrors #39-5889, #39-5891, #39-5875 and #39-5877.

PART	DESCRIPTION	APPLICATION	REQD	PRICE
38-5880	CUSTOM TOWING MIRROR	CHEVY GMC 88-98	(2)	\$30.45
39-5894	CUSTOM TOWING MIRROR-LH	CHEVY GMC 92-98	(1)	\$32.45
39-5895	CUSTOM TOWING MIRROR-RH	CHEVY GMC 92-98	(1)	\$32.45

Blind Spot Mirror



38-5890

Blind spot mirrors increase viewing angle, eliminating blind spots. The 2" Adjustable Blind Spot Mirror rotates 360° for a customized wide angle view. Mirrors attach to door mirror with included self-adhesive tape.

PART	DESCRIPTION	REQD	PRICE
38-5890	BLIND SPOT MIRROR-2"	(AR)	\$1.95
38-5893	BLIND SPOT MIRROR-ADJUSTABLE-2"	(AR)	\$2.25
38-5892	BLIND SPOT MIRROR-3"	(AR)	\$1.95



Replacement Door Panel Sets

Models Without Power Windows & Locks
1990-94 Chevy & GMC Truck

Door Panels are manufactured specifically for your truck from durable ABS plastic and vacuum formed for a perfect fit. Will not crack under extreme temperatures. Includes padded armrest, window weatherstrip and installation hardware. Sold in sets of 2

NEW



PART	DESCRIPTION	APPLICATION	REQD	PRICE
39-2485-BL	DOOR PANEL SET-BLACK	W/POWER 90-94	(1)	\$469.95**
39-2485-LL	DOOR PANEL SET-BLUE	W/POWER 90-94	(1)	\$469.95**
39-2485-DG	DOOR PANEL SET-DARK GRAY	W/POWER 90-94	(1)	\$469.95**
39-2485-DR	DOOR PANEL SET-DARK RED	W/POWER 90-94	(1)	\$469.95**
39-2485-SD	DOOR PANEL SET-SADDLE	W/POWER 90-94	(1)	\$469.95**

Models Without Power Windows & Locks
1995-98 Chevy & GMC Truck



PART	DESCRIPTION	APPLICATION	REQD	PRICE
39-2486-BL	DOOR PANEL SET BLACK	W/O POWER 95-98	(1)	\$469.95**
39-2486-LL	DOOR PANEL SET BLUE	W/O POWER 95-98	(1)	\$469.95**
39-2486-GR	DOOR PANEL SET DARK GRAY	W/O POWER 95-98	(1)	\$469.95**
39-2486-DR	DOOR PANEL SET DARK RED	W/O POWER 95-98	(1)	\$469.95**
39-2486-TN	DOOR PANEL SET TAN	W/O POWER 95-98	(1)	\$469.95**

Models With Power Windows & Locks
1995-98 Chevy & GMC Truck

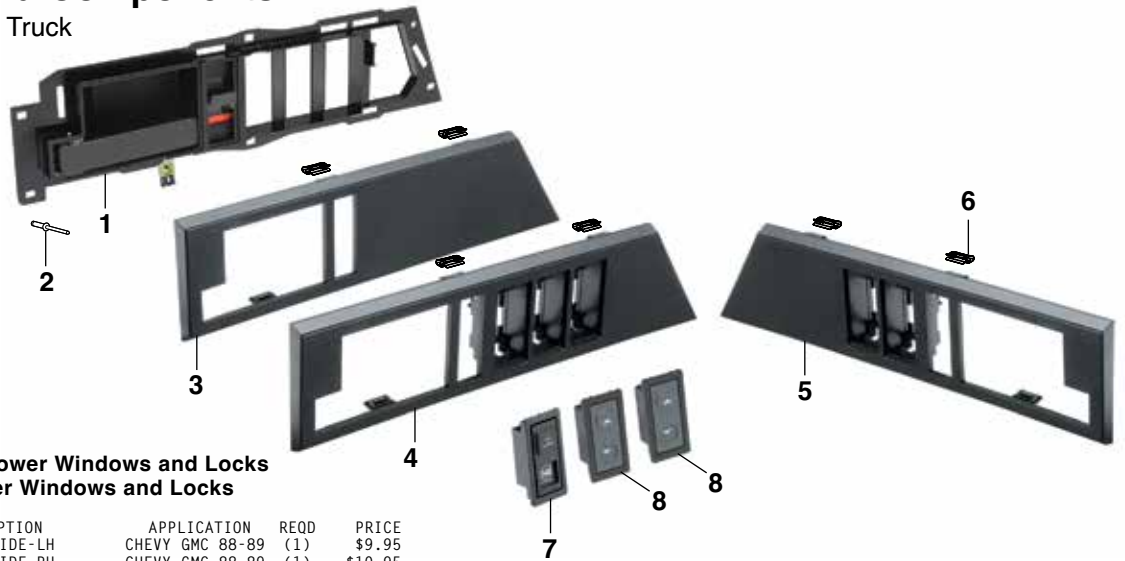


PART	DESCRIPTION	APPLICATION	REQD	PRICE
39-2487-BL	DOOR PANEL SET BLACK	W/POWER 95-98	(1)	\$659.95**
39-2487-LL	DOOR PANEL SET BLUE	W/POWER 95-98	(1)	\$659.95**
39-2487-GR	DOOR PANEL SET DARK GRAY	W/POWER 95-98	(1)	\$659.95**
39-2487-DR	DOOR PANEL SET DARK RED	W/POWER 95-98	(1)	\$659.95**
39-2487-TN	DOOR PANEL SET TAN	W/POWER 95-98	(1)	\$659.95**

* Or ** after the sell price means your order will incur an Oversize Part Charge for each oversized part. * Means extra charge will be \$20. ** Means extra charge will be \$50. Due to packing and/or transportation requirements, please allow additional time for delivery. Oversized Parts are not available for air delivery.

Door Handles and Components

1988-89 Chevy & GMC Truck



W/O POWER = Without Power Windows and Locks
W/POWER = With Power Windows and Locks

PART	ILL#	DESCRIPTION	APPLICATION	REQD	PRICE
39-6460	(1)	DOOR HANDLE-INSIDE-LH	CHEVY GMC 88-89	(1)	\$9.95
39-6461	(1)	DOOR HANDLE-INSIDE-RH	CHEVY GMC 88-89	(1)	\$10.95
31-0751	(2)	RIVET	CHEVY GMC 88-89	(AR)	\$.75
39-6462	(3)	BEZEL-LH	W/O POWER CHEVY GMC 88-89	(1)	\$20.95
39-6463	(3)	BEZEL-RH	W/O POWER CHEVY GMC 88-89	(1)	\$11.95
39-6464	(4)	BEZEL-LH	W/POWER CHEVY GMC 88-89	(1)	\$12.95
39-6465	(5)	BEZEL-RH	W/POWER CHEVY GMC 88-89	(1)	\$12.95

PART	ILL#	DESCRIPTION	APPLICATION	REQD	PRICE
31-0728	(6)	RETAINER-BEZEL	CHEVY GMC 88-89	(AR)	\$1.25
37-0705	(7)	SWITCH-DOOR LOCK	CHEVY GMC 88-89	(2)	\$14.95
37-0702	(8)	SWITCH-POWER WINDOW	CHEVY GMC 88-89	(3)	\$14.95

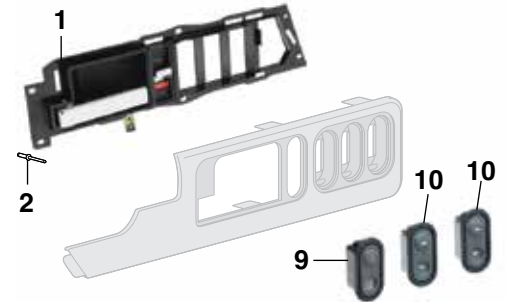
Door Handles and Components

1990-94 Chevy & GMC Truck



Models without Silverado or SLE Trim Level

Models with Silverado or SLE Trim Level



W/O POWER = Without Power Windows and Locks
W/POWER = With Power Windows and Locks

PART	ILL#	DESCRIPTION	APPLICATION	REQD	PRICE
39-6466	(1)	DOOR HANDLE-INSIDE-LH	CHEVY GMC 90-94	(1)	\$12.95
39-6467	(1)	DOOR HANDLE-INSIDE-RH	CHEVY GMC 90-94	(1)	\$12.95
31-0751	(2)	RIVET	CHEVY GMC 90-94	(AR)	\$.75
39-6462	(3)	BEZEL-LH	W/O POWER "A" CHEVY GMC 90-94	(1)	\$20.95
39-6463	(3)	BEZEL-RH	W/O POWER "A" CHEVY GMC 90-94	(1)	\$11.95
39-6464	(4)	BEZEL-LH	W/POWER "A" CHEVY GMC 90-94	(1)	\$12.95
39-6465	(5)	BEZEL-RH	W/POWER "A" CHEVY GMC 90-94	(1)	\$12.95
31-0728	(6)	RETAINER-BEZEL	CHEVY GMC 90-94	(AR)	\$1.25

PART	ILL#	DESCRIPTION	APPLICATION	REQD	PRICE
37-0706	(7)	SWITCH-DOOR LOCK	"A" CHEVY GMC 90-94	(2)	\$25.95
37-0703	(8)	SWITCH-POWER WINDOW	"A" CHEVY GMC 90-94	(3)	\$12.95
37-0707	(9)	SWITCH-DOOR LOCK	"B" CHEVY GMC 90-94	(2)	\$9.95
37-0704	(10)	SWITCH-POWER WINDOW	"B" CHEVY GMC 90-94	(3)	\$12.95

Note: "A" Models without Silverado or SLE trim level.
"B" Models with Silverado or SLE trim level.

Door Alignment Tool



Use the Door Alignment Tool and a 1/2" breaker bar to quickly align doors without the need of a helper.

PART	DESCRIPTION	APPLICATION	REQD	PRICE
38-1336	DOOR ALIGNMENT TOOL	CHEVY GMC 88-98	(1)	\$39.95

Door Switches and Components

Models with Power Windows
1995-98 Chevy & GMC Truck



PART	ILL#	DESCRIPTION	APPLICATION	REQD	PRICE
37-0714	(1)	POWER MIRROR SWITCH	CHEVY GMC 95-98	(1)	\$29.45
37-0712	(2)	DOOR LOCK/WINDOW SWITCH-LH	CHEVY GMC 95-98	(1)	\$49.95
37-0713	(3)	DOOR LOCK/WINDOW SWITCH-RH	CHEVY GMC 95-98	(1)	\$26.25

Front Door Handle Sets with Chrome Pulls

1995-98 Chevy & GMC Truck

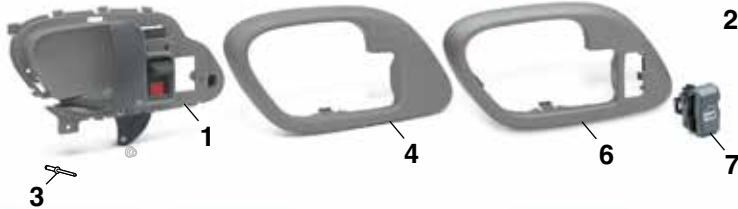


39-6497-NT
Neutral

PART	DESCRIPTION	APPLICATION	PRICE
39-6497-BG	DOOR HANDLE SET - BEIGE	W/CHROME PULL 95	\$29.95
39-6497-LL	DOOR HANDLE SET - BLUE	W/CHROME PULL 95-98	\$31.95
39-6497-GR	DOOR HANDLE SET - GRAY	W/CHROME PULL 95-98	\$31.95
39-6497-NT	DOOR HANDLE SET - NEUTRAL	W/CHROME PULL 96-98	\$31.95
39-6497-RD	DOOR HANDLE SET - RED	W/CHROME PULL 96-98	\$29.45

Door Handles and Components

1995-98 Chevy & GMC Truck



PART	ILL#	DESCRIPTION	APPLICATION	REQD	PRICE
39-6480-BG	(1)	DOOR HANDLE-LH BEIGE	CHEVY GMC 95	(1)	\$9.95
39-6481-BG		DOOR HANDLE-RH BEIGE	CHEVY GMC 95	(1)	\$9.95
39-6480-LL		DOOR HANDLE-LH BLUE	CHEVY GMC 95-98	(1)	\$9.95
39-6481-LL		DOOR HANDLE-RH BLUE	CHEVY GMC 95-98	(1)	\$9.95
39-6480-GR		DOOR HANDLE-LH GRAY	CHEVY GMC 95-98	(1)	\$9.95
39-6481-GR		DOOR HANDLE-RH GRAY	CHEVY GMC 95-98	(1)	\$9.95
39-6480-NT		DOOR HANDLE-LH NEUTRAL	CHEVY GMC 96-98	(1)	\$9.95
39-6481-NT		DOOR HANDLE-RH NEUTRAL	CHEVY GMC 96-98	(1)	\$9.95
39-6480-RD		DOOR HANDLE-LH RED	CHEVY GMC 95-98	(1)	\$9.95
39-6481-RD		DOOR HANDLE-RH RED	CHEVY GMC 95-98	(1)	\$9.95
37-7992	(2)	DOOR HANDLE SET-CHROME	CHEVY GMC 95-98	(1)	\$39.95
31-0751	(3)	RIVET	CHEVY GMC 95-98	(AR)	\$.75
39-6482-BG	(4)	BEZEL-LH BEIGE	W/O DOOR LOCK HOLE 95	(1)	\$4.95
39-6483-BG		BEZEL-RH BEIGE	W/O DOOR LOCK HOLE 95	(1)	\$4.95
39-6482-LL		BEZEL-LH BLUE	W/O DOOR LOCK HOLE 95-98	(1)	\$5.45
39-6483-LL		BEZEL-RH BLUE	W/O DOOR LOCK HOLE 95-98	(1)	\$4.95
39-6482-GR		BEZEL-LH GRAY	W/O DOOR LOCK HOLE 95-98	(1)	\$7.95
39-6483-GR		BEZEL-RH GRAY	W/O DOOR LOCK HOLE 95-98	(1)	\$6.95

PART	ILL#	DESCRIPTION	APPLICATION	REQD	PRICE
39-6482-NT		BEZEL-LH NEUTRAL	W/O DOOR LOCK HOLE 96-98	(1)	\$7.95
39-6483-NT		BEZEL-RH NEUTRAL	W/O DOOR LOCK HOLE 96-98	(1)	\$7.95
39-6482-RD		BEZEL-LH RED	W/O DOOR LOCK HOLE 95-98	(1)	\$6.95
39-6483-RD		BEZEL-RH RED	W/O DOOR LOCK HOLE 95-98	(1)	\$6.95
39-6489	(5)	BEZEL SET-CHROME	W/O DOOR LOCK HOLE 95-98	(1)	\$18.95
39-6484-BG	(6)	BEZEL-LH BEIGE	W/DOOR LOCK HOLE 95	(1)	\$7.95
39-6485-BG		BEZEL-RH BEIGE	W/DOOR LOCK HOLE 95	(1)	\$9.95
39-6484-LL		BEZEL-LH BLUE	W/DOOR LOCK HOLE 95-98	(1)	\$7.95
39-6485-LL		BEZEL-RH BLUE	W/DOOR LOCK HOLE 95-98	(1)	\$7.95
39-6484-GR		BEZEL-LH GRAY	W/DOOR LOCK HOLE 95-98	(1)	\$7.95
39-6485-GR		BEZEL-RH GRAY	W/DOOR LOCK HOLE 95-98	(1)	\$7.95
39-6484-NT		BEZEL-LH NEUTRAL	W/DOOR LOCK HOLE 96-98	(1)	\$6.95
39-6485-NT		BEZEL-RH NEUTRAL	W/DOOR LOCK HOLE 96-98	(1)	\$6.95
39-6484-RD		BEZEL-LH RED	W/DOOR LOCK HOLE 95-98	(1)	\$6.95
39-6485-RD		BEZEL-RH RED	W/DOOR LOCK HOLE 95-98	(1)	\$6.95
37-0708	(7)	DOOR LOCK SWITCH-LH	CHEVY GMC 95-98	(1)	\$24.95

Chrome Window Handle Set



38-6457

Chrome Window Handles measure 4-1/4" in length and are easy to install. Includes round, square and splined adaptors to fit a variety of window shaft styles.

PART	DESCRIPTION	PRICE
38-6457	CHROME WINDOW HANDLE SET	\$34.95

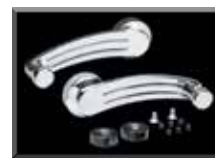
Premium Billet Window Handle Sets



Premium Window Handle Sets are manufactured with high-quality black oxide steel inserts and three set screws for maximum shaft grip strength. Handles are 4-5/8" long for greater leverage and feature smooth beveled edges for a comfortable grip. Available in a black anodized finish with machined accents or polished finish. Proudly made in the USA.



39-6693
Polished Cut Out
\$99.95



39-6694
Polished Milled
\$99.95

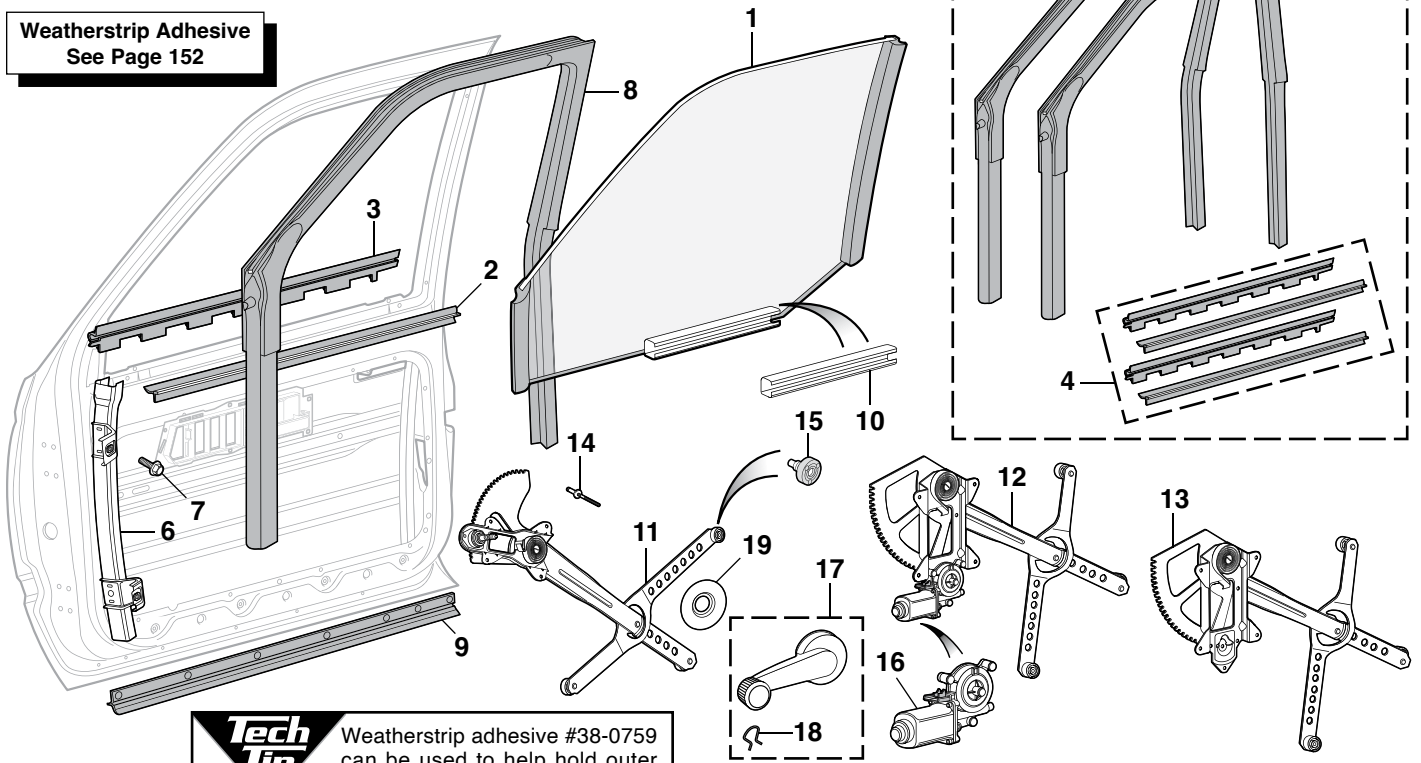


39-6695
Black Milled
\$109.95

Door Glass and Components

1988-98 Chevy & GMC Truck

Weatherstrip Adhesive
See Page 152



Tech Tip Weatherstrip adhesive #38-0759 can be used to help hold outer door window seals in place.

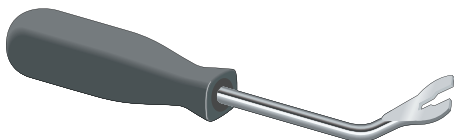
PART	ILL#	DESCRIPTION	APPLICATION	REQD	PRICE
39-6040	(1)	DOOR GLASS-GREEN TINT-LH	CHEVY GMC 88-98	(1)	\$79.95*
39-6041		DOOR GLASS-GREEN TINT-RH	CHEVY GMC 88-98	(1)	\$79.95*
38-8332-BL	(2)	DOOR WINDOW SEAL-INR BLACK	CHEVY GMC 88-98	(2)	\$9.95
38-8330	(3)	DOOR WINDOW SEAL-OUTER-LH	CHEVY GMC 88-98	(1)	\$9.95
38-8331		DOOR WINDOW SEAL-OUTER-RH	CHEVY GMC 88-98	(1)	\$9.95
38-8334-BL	(4)	WINDOW SEAL KIT BLACK	CHEVY GMC 88-98	(1)	\$38.95
38-8336-BL	(5)	WINDOW CHANNEL KIT BLACK	CHEVY GMC 88-98	(1)	\$142.95
39-6416	(6)	CHANNEL-DOOR GLASS-LH	CHEVY GMC 88-98	(1)	\$32.95
31-0203	(7)	BOLT	CHEVY GMC 88-98	(4)	\$.65
38-8328	(8)	DOOR GLASS RUN-LH	CHEVY GMC 88-98	(1)	\$61.95
38-8329		DOOR GLASS RUN-RH	CHEVY GMC 88-98	(1)	\$61.95
38-8316	(9)	DOOR SEAL-LOWER-LH	CHEVY GMC 91-98	(1)	\$14.45
38-8317		DOOR SEAL-LOWER-RH	CHEVY GMC 91-98	(1)	\$15.45

* Or ** after the sell price means your order will incur an Oversize Part Charge for each oversized part. * Means extra charge will be \$20. ** Means extra charge will be \$50. Due to packing and/or transportation requirements, please allow additional time for delivery. Oversized Parts are not available for air delivery.

PART	ILL#	DESCRIPTION	APPLICATION	REQD	PRICE
39-6336	(10)	WINDOW LIFT CHANNEL	CHEVY GMC 88-98	(2)	\$22.95
39-6420	(11)	REGULATOR-LH-MANUAL	CHEVY GMC 88-94	(1)	\$35.95
39-6421		REGULATOR-RH-MANUAL	CHEVY GMC 88-94	(1)	\$35.95
39-6422		REGULATOR-LH-MANUAL	CHEVY GMC 95-98	(1)	\$39.95
39-6423		REGULATOR-RH-MANUAL	CHEVY GMC 95-98	(1)	\$36.95
39-6428	(12)	REGULATOR-LH-PWR W/O MOTOR	CHEVY GMC 88-98	(1)	\$29.95
39-6429		REGULATOR-RH-PWR W/O MOTOR	CHEVY GMC 88-98	(1)	\$29.95
39-6424	(13)	REGULATOR-LH-POWER W/MOTOR	CHEVY GMC 88-98	(1)	\$54.95
39-6425		REGULATOR-RH-POWER W/MOTOR	CHEVY GMC 88-98	(1)	\$49.95
31-0753	(14)	RIVET-REGULATOR	CHEVY GMC 88-98	(8)	\$.95
30-0752	(15)	ROLLER & RIVET	CHEVY GMC 88-98	(6)	\$1.95
39-6426	(16)	MOTOR-LH	CHEVY GMC 88-98	(1)	\$45.95
39-6427		MOTOR-RH	CHEVY GMC 88-98	(1)	\$39.95
29-7200	(17)	WINDOW HANDLE BLACK	CHEVY GMC 88-89	(2)	\$5.95
38-6548		WINDOW HANDLE CHROME	CHEVY GMC 90-94	(2)	\$4.95
31-0780	(18)	CLIP-WINDOW HANDLE	CHEVY GMC 88-98	(2)	\$.65
38-6546	(19)	ESCUTCHEON-WINDOW HANDLE"A"	CHEVY GMC 88-98	(2)	\$1.95

Note: "A" Color will vary; may be painted to match the color of your interior.

Fastener Removal Tool



38-1238

This tool effectively removes the plastic fasteners found on most door panels. Working end is offset for ease of access.

PART	DESCRIPTION	PRICE
38-1238	FASTENER REMOVAL TOOL	\$4.95

Door Window Glass Holder



Door Window Glass Holder supports the glass while you work on the window regulator. It works on all trucks with a top door frame. Simply loop cable over door frame and attach suction cups to each side of glass. The glass is then securely held above the door while your work is performed.

PART	DESCRIPTION	PRICE
39-6397	DOOR WINDOW GLASS HOLDER	\$18.95

Belt Molding Remover

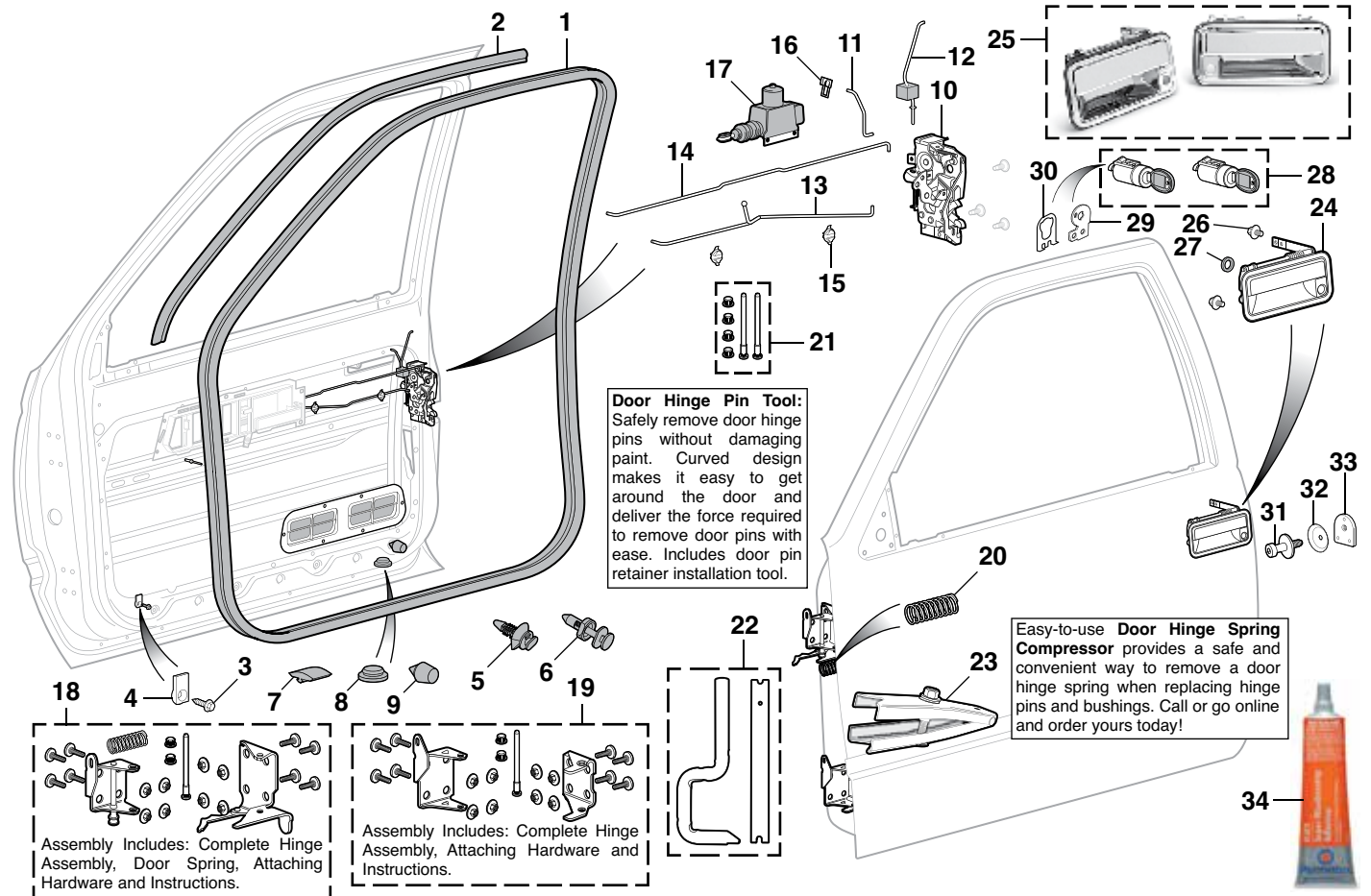


Window Belt Molding Remover allows quick removal of your window belt molding without damaging the sheet metal, glass or molding. Plasti-dipped handle, provides a wide, comfortable grip.

PART	DESCRIPTION	PRICE
38-1395	BELT MOLDING REMOVER	\$14.55

Door Components

1988-98 Chevy & GMC Truck

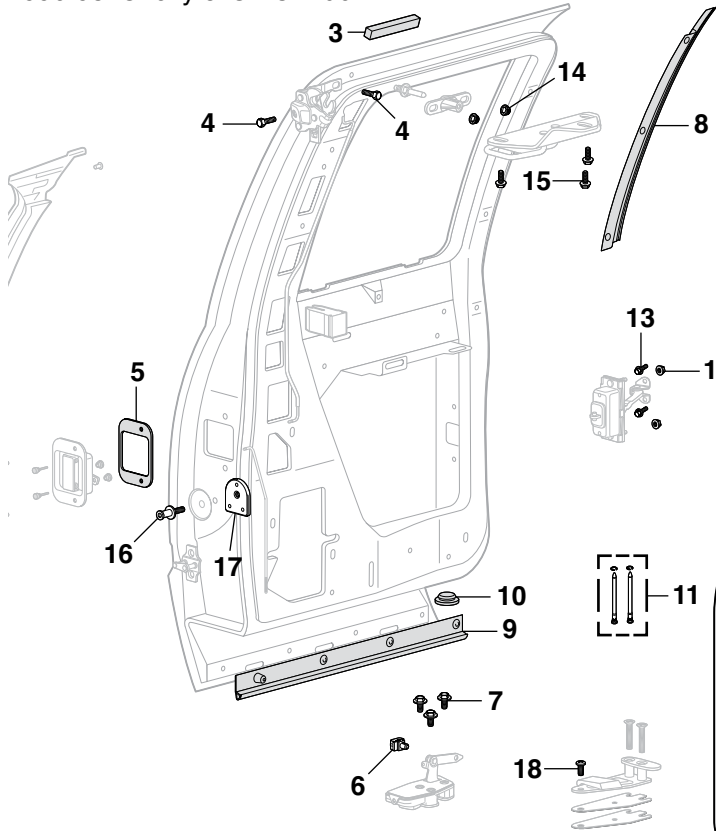


PART	ILL#	DESCRIPTION	APPLICATION	REQD	PRICE	PART	ILL#	DESCRIPTION	APPLICATION	REQD	PRICE
38-8310	(1)	WEATHERSTRIP-CAB-LH/RH	CHEVY GMC 88-98	(2)	\$21.95	37-0744	(17)	DOOR LOCK ACTUATOR-LH	CHEVY GMC 88-98	(1)	\$34.95
38-8311		WEATHERSTRIP-CAB-RH	CHEVY GMC 96-98	(1)	\$28.95	37-0745		DOOR LOCK ACTUATOR-RH	CHEVY GMC 88-98	(1)	\$34.95
38-8313	(2)	DRIP WEATHERSTRIP-CAB-LH/RH	CHEVY GMC 88-91	(2)	\$16.95	39-6620	(18)	DOOR HINGE ASSY-UPPER-LH	CHEVY GMC 88-98	(1)	\$64.95
38-8314		DRIP WEATHERSTRIP-CAB "A"	CHEVY GMC 92-98	(2)	\$17.95	39-6621		DOOR HINGE ASSY-UPPER-RH	CHEVY GMC 88-98	(1)	\$59.95
38-8315		DRIP WEATHERSTRIP-CAB-RH"B"	CHEVY GMC 96-98	(1)	\$29.95	39-6622	(19)	DOOR HINGE ASSY-LOWER-LH	CHEVY GMC 88-98	(1)	\$33.95
30-0454	(3)	SCREW-INNER DOOR PANEL	CHEVY GMC 88-98	(16)	\$.95	39-6623		DOOR HINGE ASSY-LOWER-RH	CHEVY GMC 88-98	(1)	\$36.95
31-0880	(4)	NUT-INNER DOOR PANEL	CHEVY GMC 88-98	(16)	\$4.45	31-3101	(20)	DOOR HINGE SPRING	CHEVY GMC 88-98	(2)	\$3.95
31-1373	(5)	RETAINER-DOOR PANEL	CHEVY GMC 88-94	(14)	\$.95	31-2701	(21)	DOOR HINGE PIN KIT	CHEVY GMC 88-98	(2)	\$10.45
31-1374	(6)	RETAINER-DOOR PANEL	CHEVY GMC 95-98	(20)	\$.95	31-2698	(22)	DOOR HINGE PIN TOOL	CHEVY GMC 88-98	(1)	\$22.95
31-1843	(7)	DOOR WINDOW STOP PAD	CHEVY GMC 88-98	(2)	\$4.95	38-1309	(23)	HINGE SPRING COMPRESSOR	CHEVY GMC 88-98	(1)	\$15.45
31-1900	(8)	DOOR PLUG	CHEVY GMC 89-98	(2)	\$4.95	39-6490	(24)	OUTER HANDLE-LH SMOOTH	CHEVY GMC 88-94	(1)	\$14.95
29-1410	(9)	DOOR BUMPER	CHEVY GMC 88-98	(2)	\$1.25	39-6491		OUTER HANDLE-RH SMOOTH	CHEVY GMC 88-94	(1)	\$14.95
29-7712	(10)	DOOR LATCH-LH	CHEVY GMC 88-98	(1)	\$43.95	39-6494		OUTER HANDLE-LH TEXTURED	CHEVY GMC 95-98	(1)	\$14.95
29-7713		DOOR LATCH-RH	CHEVY GMC 88-98	(1)	\$43.95	39-6495		OUTER HANDLE-RH TEXTURED	CHEVY GMC 95-98	(1)	\$14.95
39-6430	(11)	ROD-OUTSIDE LOCK-LH	CHEVY GMC 88-98	(1)	\$12.45	37-7989	(25)	OUTER HANDLE SET-CHROME	CHEVY GMC 88-94	(1)	\$49.95
39-6432	(12)	ROD-OUTSIDE HANDLE-LH	CHEVY GMC 88-98	(1)	\$29.25	37-7993		OUTER HANDLE SET-CHROME	CHEVY GMC 95-98	(1)	\$49.95
39-6433		ROD-OUTSIDE HANDLE-RH	CHEVY GMC 88-98	(1)	\$30.55	31-0518	(26)	SCREW	CHEVY GMC 88-98	(4)	\$9.25
39-6434	(13)	ROD-INSIDE LOCK-LH	CHEVY GMC 88-94	(1)	\$22.25	31-2301	(27)	GASKET-DOOR LOCK	CHEVY GMC 88-98	(2)	\$.99
39-6436		ROD-INSIDE LOCK-LH	CHEVY GMC 95-98	(1)	\$20.25	37-0746	(28)	DOOR LOCK SET W/KEYS	CHEVY GMC 88-94	(1)	\$20.95
39-6440	(14)	ROD-INSIDE HANDLE-LH	CHEVY GMC 95-98	(1)	\$10.95	37-0796		DOOR LOCK SET W/KEYS	CHEVY GMC 95-98	(1)	\$39.95
31-1355	(15)	ROD GUIDE	CHEVY GMC 88-98	(4)	\$1.95	37-0742	(29)	DOOR LOCK PAWL-LH	CHEVY GMC 88-98	(1)	\$.99
31-1603	(16)	CLIP-METAL	CHEVY GMC 88-98	(AR)	\$2.25	37-0743		DOOR LOCK PAWL-RH	CHEVY GMC 88-98	(1)	\$.99
						31-0766	(30)	RETAINER-DOOR LOCK PAWL	CHEVY GMC 88-98	(2)	\$1.95
						29-7775	(31)	DOOR STRIKER	CHEVY GMC 88-98	(2)	\$7.95
						31-2900	(32)	OUTER DOOR HANDLE SPACER	CHEVY GMC 88-98	(2)	\$2.95
						31-0879	(33)	NUT	CHEVY GMC 88-98	(2)	\$5.95
						38-0759	(34)	WEATHERSTRIP ADHESIVE-BLACK 5 OUNCE TUBE			\$8.95

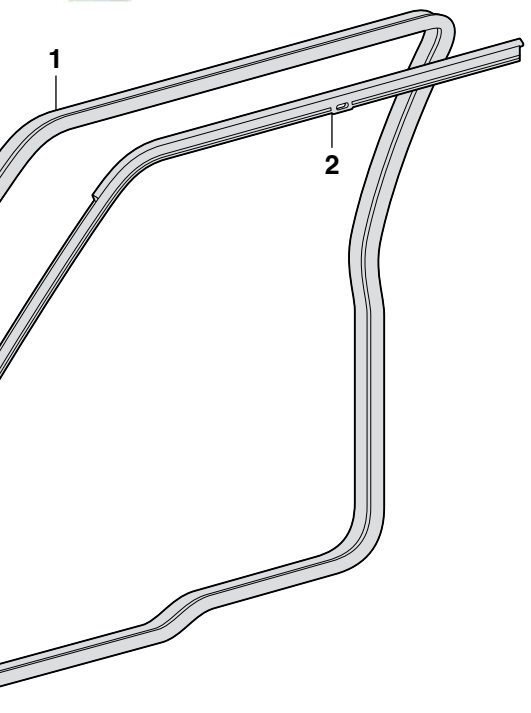
Note: "A" Fits LH and RH side. Does not fit RH side on models with optional third door.
"B" Fits RH side on models with optional third door.

Third Door Components

1996-98 Chevy & GMC Truck



#38-0759 Weatherstrip Adhesive is a water resistant adhesive for bonding rubber and metal surfaces. Withstands extreme temperatures, dries black.



PART	ILL#	DESCRIPTION	APPLICATION	REQD	PRICE
38-8311	(1)	DOOR WEATHERSTRIP-ON CAB	1/2T	96-98 (1)	\$28.95
38-8315	(2)	DRIP WEATHERSTRIP-ON CAB	1/2T	96-98 (1)	\$29.95
31-1877	(3)	FOAM SEAL-UPPER	1/2T	97 (1)	\$1.25
31-0201	(4)	BOLT	1/2T	96-98 (2)	\$7.25
31-2303	(5)	SEAL-HANDLE	1/2T	96-98 (1)	\$1.25
31-1605	(6)	CLIP	1/2T	96-98 (1)	\$1.35
31-0278	(7)	BOLT	1/2T	96-98 (3)	\$1.45

Keyless Remote Kit



Locks and unlocks doors with the keyless remote or the turn of a door key. Lock/unlock function is also activated when a door lock knob is pushed down or pulled up, eliminating the need for separate door switches. Fits 2 door models only.

PART	DESCRIPTION	REQD	PRICE
36-0693	KEYLESS REMOTE KIT-2 DOOR	(1)	\$52.95

PART	ILL#	DESCRIPTION	APPLICATION	REQD	PRICE
38-8319	(8)	WEATHERSTRIP-REAR EDGE	1/2T	96-98 (1)	\$9.95
38-8323	(9)	WEATHERSTRIP-LOWER	1/2T	96-98 (1)	\$9.95
31-1900	(10)	DOOR PLUG	1/2T	96-98 (1)	\$4.95
31-2704	(11)	DOOR HINGE PIN KIT	1/2T	96-98 (1)	\$5.95
31-0876	(12)	NUT	1/2T	96-98 (2)	\$.65
31-0279	(13)	BOLT	1/2T	96-98 (2)	\$1.95
31-0878	(14)	NUT	1/2T	96-98 (2)	\$.65
29-0291	(15)	BOLT	1/2T	96-98 (3)	\$1.25
29-7775	(16)	STRIKER-MIDDLE	1/2T	97-98 (1)	\$7.95
31-0879	(17)	NUT	1/2T	96-98 (1)	\$5.95
31-0522	(18)	SCREW-BRACKET	1/2T	96-98 (1)	\$.95
38-0759	(19)	WEATHERSTRIP ADHESIVE-BLACK 5 OUNCE TUBE			\$8.95

Door Panel Reflectors

1995-98 Chevy & GMC Truck



37-4740

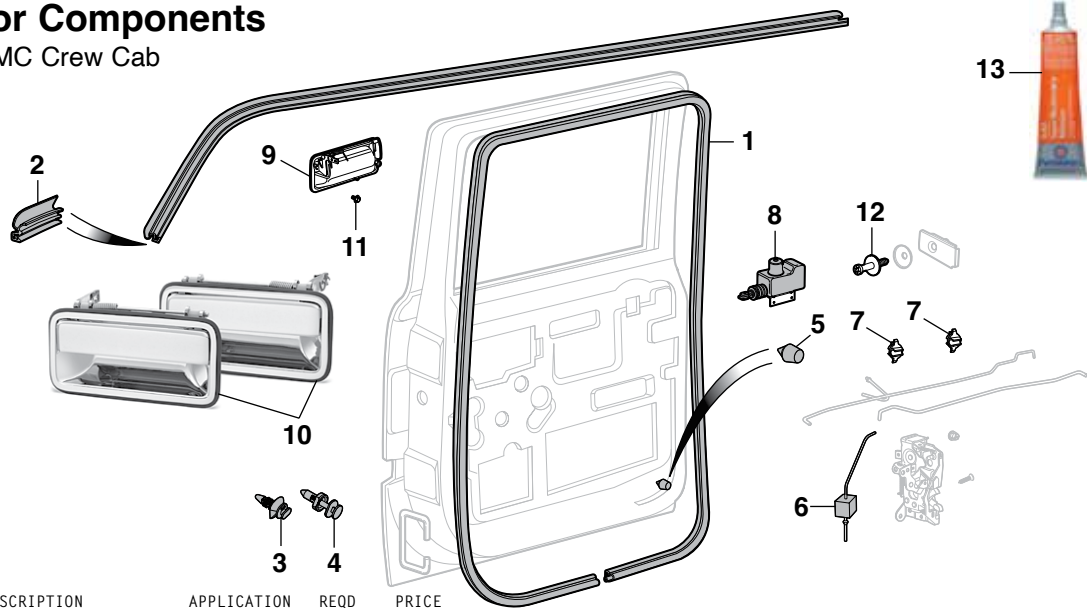


37-4742

PART	DESCRIPTION	APPLICATION	REQD	PRICE
37-4740	DOOR PANEL REFLECTOR	CHEVY GMC 95-98	(2)	\$9.95
37-4742	DOOR PANEL REFLECTOR-LH	CHEVY GMC 95-98	(1)	\$37.95
37-4743	DOOR PANEL REFLECTOR-RH	CHEVY GMC 95-98	(1)	\$37.95

Side Rear Door Components

1992-98 Chevy & GMC Crew Cab

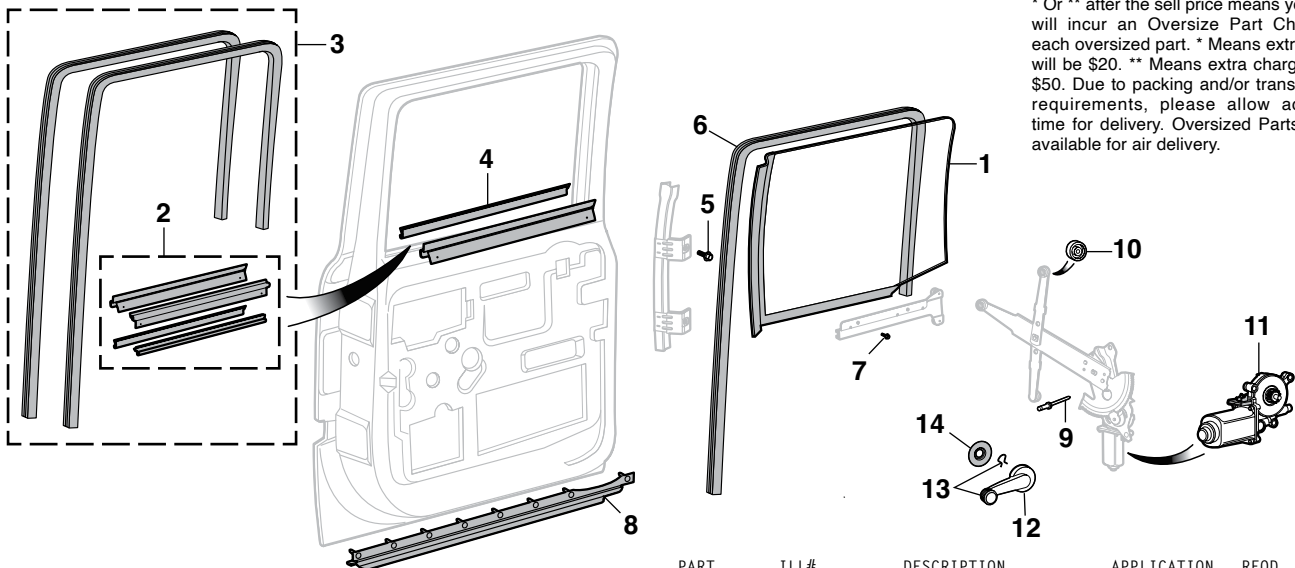


PART	ILL#	DESCRIPTION	APPLICATION	REQD	PRICE
38-8371	(1)	DOOR WEATHERSTRIP-REAR	CREW CAB 92-98	(2)	\$21.95
38-8350	(2)	DRIP WEATHERSTRIP-FRONT/RR	CREW CAB 92-98	(2)	\$32.95
31-1373	(3)	RETAINER-DOOR PANEL	CREW CAB 92-94 (AR)		\$.95
31-1374	(4)	RETAINER-DOOR PANEL	CREW CAB 95-98 (AR)		\$.95
29-1410	(5)	DOOR BUMPER	CREW CAB 92-98	(2)	\$1.25
39-6432	(6)	OUTSIDE HANDLE ROD-LH	CREW CAB 92-98	(1)	\$29.25
39-6433		OUTSIDE HANDLE ROD-RH	CREW CAB 92-98	(1)	\$30.55
31-1355	(7)	ROD GUIDE	CREW CAB 92-98	(4)	\$1.95
37-0744	(8)	DOOR LOCK ACTUATOR-LH	CREW CAB 92-98	(1)	\$34.95
37-0745		DOOR LOCK ACTUATOR-RH	CREW CAB 92-98	(1)	\$34.95

PART	ILL#	DESCRIPTION	APPLICATION	REQD	PRICE
39-6552	(9)	OUTSIDE HANDLE-LH SMOOTH	CREW CAB 92-94	(1)	\$18.95
39-6553		OUTSIDE HANDLE-RH SMOOTH	CREW CAB 92-94	(1)	\$18.95
39-6548		OUTSIDE HANDLE-RH TEXTURED	CREW CAB 95-98	(1)	\$15.95
39-6549		OUTSIDE HANDLE-LH TEXTURED	CREW CAB 95-98	(1)	\$12.95
37-7991	(10)	OUTSIDE HANDLE SET CHROME	CREW CAB 92-98	(1)	\$39.95
31-0518	(11)	BOLT-HANDLE	CREW CAB 92-98	(4)	\$9.25
29-7775	(12)	DOOR LOCK STRIKER	CREW CAB 92-98	(2)	\$7.95
38-0759	(13)	WEATHERSTRIP ADHESIVE-BLACK 5 OZ TUBE			\$8.95

Side Rear Glass Door and Components

1992-98 Chevy & GMC Crew Cab



* Or ** after the sell price means your order will incur an Oversize Part Charge for each oversized part. * Means extra charge will be \$20. ** Means extra charge will be \$50. Due to packing and/or transportation requirements, please allow additional time for delivery. Oversized Parts are not available for air delivery.

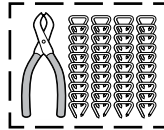
PART	ILL#	DESCRIPTION	APPLICATION	REQD	PRICE
39-6044	(1)	DOOR GLASS-DEEP TINT-LH	CREW CAB 92-98	(1)	\$137.95*
39-6045		DOOR GLASS-DEEP TINT-RH	CREW CAB 92-98	(1)	\$99.95*
38-8362	(2)	WINDOW SEAL KIT-4PC	CREW CAB 92-98	(1)	\$47.95
38-8364	(3)	WINDOW CHANNEL KIT	CREW CAB 92-98	(1)	\$112.95
38-8354	(4)	DOOR WINDOW SEAL-OUTER	CREW CAB 92-99	(1)	\$14.95
29-0361	(5)	BOLT	CREW CAB 92-98	(4)	\$.95
38-8360	(6)	DOOR GLASS RUN-LH	CREW CAB 92-98	(1)	\$25.95
38-8361		DOOR GLASS RUN-RH	CREW CAB 92-98	(1)	\$25.95
31-0278	(7)	BOLT-SASH CHANNEL	CREW CAB 92-98	(4)	\$1.45

PART	ILL#	DESCRIPTION	APPLICATION	REQD	PRICE
38-8374	(8)	LOWER DOOR SEAL-LH	CREW CAB 92-98	(1)	\$13.45
38-8375		LOWER DOOR SEAL-RH	CREW CAB 92-98	(1)	\$13.45
31-0753	(9)	RIVET	CREW CAB 92-98 (AR)		\$.95
30-0752	(10)	ROLLER	CREW CAB 92-98	(6)	\$1.95
39-6346	(11)	POWER WINDOW MOTOR-LH	CREW CAB 92-98	(1)	\$36.95
39-6347		POWER WINDOW MOTOR-RH	CREW CAB 92-98	(1)	\$36.95
38-6548	(12)	WINDOW HANDLE	CREW CAB 92-98	(2)	\$4.95
31-0780	(13)	CLIP-WINDOW HANDLE	CREW CAB 92-98	(2)	\$.65
38-6546	(14)	ESCUTCHEON-WINDOW HANDLE"A"	CREW CAB 92-98	(2)	\$1.95

Note: "A" Color will vary; may be painted to match the color of your interior.

Cloth and Vinyl Bench Seat Reupholstery Kits

Original style Seat Reupholstery Kits feature original seat patterns in padded vinyl or with cloth inserts. Cloth reupholstery kits have velour sides for durability.



38-1240

Hog rings, hog ring pliers and easy-to-follow instructions are included.

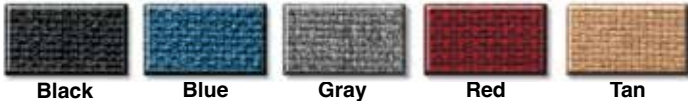
How-To Video Available
Featuring TV Personality Kevin Tetz
Visit lmtruck.com/product-videos



39-2302-GR



39-2300-LL



PART	DESCRIPTION	APPLICATION	REQD	PRICE
39-2302-BL	BENCH SEAT KIT-CLOTH BLACK	"A" CHEVY GMC 88-94	(1)	\$285.95
39-2302-LL	BENCH SEAT KIT-CLOTH BLUE	"A" CHEVY GMC 88-94	(1)	\$285.95
39-2302-GR	BENCH SEAT KIT-CLOTH GRAY	"A" CHEVY GMC 88-94	(1)	\$285.95
39-2302-RD	BENCH SEAT KIT-CLOTH RED	"A" CHEVY GMC 88-94	(1)	\$285.95
39-2302-TN	BENCH SEAT KIT-CLOTH TAN	"A" CHEVY GMC 88-94	(1)	\$285.95
39-2303-BL	BENCH SEAT KIT-CLOTH BLACK	"B" CHEVY GMC 88-94	(1)	\$355.95
39-2303-LL	BENCH SEAT KIT-CLOTH BLUE	"B" CHEVY GMC 88-94	(1)	\$355.95
39-2303-GR	BENCH SEAT KIT-CLOTH GRAY	"B" CHEVY GMC 88-94	(1)	\$355.95
39-2303-RD	BENCH SEAT KIT-CLOTH RED	"B" CHEVY GMC 88-94	(1)	\$355.95
39-2303-TN	BENCH SEAT KIT-CLOTH TAN	"B" CHEVY GMC 88-94	(1)	\$355.95

PART	DESCRIPTION	APPLICATION	REQD	PRICE
39-2300-BL	BENCH SEAT KIT-VINYL BLACK	"A" CHEVY GMC 88-94	(1)	\$255.95
39-2300-LL	BENCH SEAT KIT-VINYL BLUE	"A" CHEVY GMC 88-94	(1)	\$255.95
39-2300-GR	BENCH SEAT KIT-VINYL GRAY	"A" CHEVY GMC 88-94	(1)	\$255.95
39-2300-RD	BENCH SEAT KIT-VINYL RED	"A" CHEVY GMC 88-94	(1)	\$257.75
39-2300-TN	BENCH SEAT KIT-VINYL TAN	"A" CHEVY GMC 88-94	(1)	\$255.95
39-2301-BL	BENCH SEAT KIT-VINYL BLACK	"B" CHEVY GMC 88-94	(1)	\$315.95
39-2301-LL	BENCH SEAT KIT-VINYL BLUE	"B" CHEVY GMC 88-94	(1)	\$315.95
39-2301-GR	BENCH SEAT KIT-VINYL GRAY	"B" CHEVY GMC 88-94	(1)	\$315.95
39-2301-RD	BENCH SEAT KIT-VINYL RED	"B" CHEVY GMC 88-94	(1)	\$315.95
39-2301-TN	BENCH SEAT KIT-VINYL TAN	"B" CHEVY GMC 88-94	(1)	\$315.95

Note: "A" Without headrest covers. "B" With headrest covers.

38-1240	HOG RING KIT W/PLIERS	100PC	(AR)	\$8.95
---------	-----------------------	-------	------	--------

Replacement Bench Seat Cushions



39-2375

There were two types of bench seat cushions used from 1988-98. Check your truck before ordering to ensure that you order the correct cushion.

Without Exposed Support Springs: The seat cushion is molded around the support springs. No springs are visible underneath the seat. The cushion must be cut away from the support springs and the replacement cushion placed on top of the exposed springs.

With Exposed Support Springs: The seat cushion rests on top of the support springs visible underneath the seat. The cushion is removed and the replacement is placed on top of the springs.

Replacement Bench Seat Cushions are manufactured with a precision cold cure molding process that exceeds original quality and is fleet tested and reinforced with a tough Polypropylene mesh.

PART	DESCRIPTION	APPLICATION	REQD	PRICE
39-2375	REPLACEMENT BENCH SEAT CUSHION W/O EXPOSED SUPPORT SPRINGS	CHEVY GMC 88-98	(1)	\$319.95*
39-2376	REPLACEMENT BENCH SEAT CUSHION W/EXPOSED SUPPORT SPRINGS	CHEVY GMC 88-98	(1)	\$289.95*

* Or ** after the sell price means your order will incur an Oversize Part Charge for each oversized part. * Means extra charge will be \$20. ** Means extra charge will be \$50. Due to packing and/or transportation requirements, please allow additional time for delivery. Oversized Parts are not available for air delivery.

NEW Seat Padding Material



This Seat Padding Material is 1/4"-thick jute-like material that is a great enhancement to your truck's bench seat when installing new upholstery. Padding material comes in a 4 foot by 6 foot roll and contains enough material to cover both the seat back and seat bottom. Trim to fit as needed.

38-2834	PADDING MATERIAL - NON-FOIL	4FT X 6FT ROLL	(1)	\$15.95
---------	-----------------------------	----------------	-----	---------

LMC Custom Split Back Bench Seat

60" Custom Split Back Bench Seat

- Bench Seats come assembled. Seat slider tracks and seat reclining mechanism are included.
- All steel, TIG-welded frame is electrostatically coated for strength and durability.
- Premium grade vinyl and stitching will stand up to years of wear and tear.
- Ergonomically shaped cushions are made with high-density, injection-molded foam to ensure comfort with the proper support.

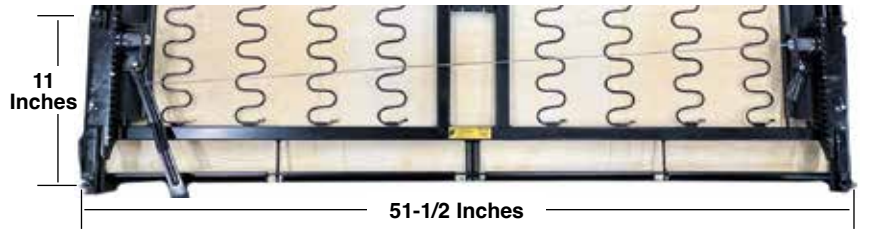


PART	DESCRIPTION	APPLICATION	REQD	PRICE
38-2117-BB	LMC BENCH SEAT - 60" WITH BLACK STITCH	CHEVY GMC	88-94 (1)	\$1099.95**
38-2117-BR	LMC BENCH SEAT - 60" WITH RED STITCH	CHEVY GMC	88-94 (1)	\$1099.95**

* Or ** after the sell price means your order will incur an Oversize Part Charge for each oversized part. * Means extra charge will be \$20. ** Means extra charge will be \$50. Due to packing and/or transportation requirements, please allow additional time for delivery. Oversized Parts are not available for air delivery.

Seat Mounting Information

The bench seat mounting brackets to fit 1988-94 Chevy GMC Trucks are still in the production process. The image to the right provides the seat mounting point measurements, when the seat sliders are installed on the seat, so you can fabricate your own mounting brackets or wish to modify a bracket.



LMC TRUCK Custom Bucket Seat Sets

The Affordable Bolt-In Custom Interior Upgrade For Your Truck!

- Seats come assembled. Seat slider tracks and seat reclining mechanism are included.
- Seats are universal and require mounting brackets for installation. Mounting brackets sold separately.
- All steel, TIG-welded frame is electrostatically coated for strength and durability.
- Premium grade vinyl and stitching will stand up to years of wear and tear.
- Ergonomically shaped cushions are made with high-density, injection-molded foam to ensure comfort with the proper support.



PART	DESCRIPTION	APPLICATION	PRICE
38-2115-BB	LMC BUCKET SEAT SET WITH BLACK STITCH	CHEVY 88-98	\$899.95*
38-2115-BR	LMC BUCKET SEAT SET WITH RED STITCH	CHEVY 88-98	\$899.95*

* Or ** after the sell price means your order will incur an Oversize Part Charge for each oversized part. * Means extra charge will be \$20. ** Means extra charge will be \$50. Due to packing and/or transportation requirements, please allow additional time for delivery. Oversized Parts are not available for air delivery.

Bucket Seat Mounting Bracket Set

- Bucket Seat Mounting Bracket set is sold separately and is required when installing bucket seats.
- Sold as set of 2.
- Welding is required for installation.

PART	DESCRIPTION	APPLICATION	PRICE
38-2161	BUCKET SEAT MOUNT BRACKET SET	CHEVY 88-98	\$159.95



Seat Belt Sets



38-2233-TN



38-2237-TN



Black Blue Gray Red Tan

Seat Belt Sets feature end release buckles and are constructed of OE-quality herringbone webbing. Seat Belt Sets included for left, right and center seating positions (except models with front bucket seats). Seat belts are a simple, direct bolt-in installation using the original seat belt mounting holes. Reuse existing hardware to install seat belts. Federal regulations require seat belts in all trucks manufactured after July 1971.

PART	DESCRIPTION	APPLICATION	REQD	PRICE
Front Bench Seat				
38-2233-BL	FRONT SEAT BELT SET-BLACK	STD CAB	88-98 (1)	\$310.95
38-2233-LL	FRONT SEAT BELT SET-BLUE	STD CAB	88-98 (1)	\$310.95
38-2233-GR	FRONT SEAT BELT SET-GRAY	STD CAB	88-98 (1)	\$304.95
38-2233-RD	FRONT SEAT BELT SET-RED	STD CAB	88-98 (1)	\$304.95
38-2233-TN	FRONT SEAT BELT SET-TAN	STD CAB	88-98 (1)	\$304.95
38-2235-BL	FRONT SEAT BELT SET-BLACK "A"	EXT CAB	88-98 (1)	\$304.95
38-2235-LL	FRONT SEAT BELT SET-BLUE "A"	EXT CAB	88-98 (1)	\$304.95
38-2235-GR	FRONT SEAT BELT SET-GRAY "A"	EXT CAB	88-98 (1)	\$304.95
38-2235-RD	FRONT SEAT BELT SET-RED "A"	EXT CAB	88-98 (1)	\$304.95
38-2235-TN	FRONT SEAT BELT SET-TAN "A"	EXT CAB	88-98 (1)	\$304.95
Front Bucket Seats				
38-2236-BL	FRONT SEAT BELT SET-BLACK "A"	EXT CAB	88-98 (1)	\$310.95
38-2236-LL	FRONT SEAT BELT SET-BLUE "A"	EXT CAB	88-98 (1)	\$284.95
38-2236-GR	FRONT SEAT BELT SET-GRAY "A"	EXT CAB	88-98 (1)	\$284.95
38-2236-RD	FRONT SEAT BELT SET-RED "A"	EXT CAB	88-98 (1)	\$284.95
38-2236-TN	FRONT SEAT BELT SET-TAN "A"	EXT CAB	88-98 (1)	\$284.95
38-2238-BL	FRONT SEAT BELT SET-BLACK W/3RD DOOR	96-98	(1)	\$304.95
38-2238-LL	FRONT SEAT BELT SET-BLUE W/3RD DOOR	96-98	(1)	\$304.95
38-2238-GR	FRONT SEAT BELT SET-GRAY W/3RD DOOR	96-98	(1)	\$304.95
38-2238-RD	FRONT SEAT BELT SET-RED W/3RD DOOR	96-98	(1)	\$304.95
38-2238-TN	FRONT SEAT BELT SET-TAN W/3RD DOOR	96-98	(1)	\$304.95
Rear Bench Seat				
38-2237-BL	REAR SEAT BELT SET-BLACK	EXT CAB	88-98 (1)	\$304.95
38-2237-LL	REAR SEAT BELT SET-BLUE	EXT CAB	88-98 (1)	\$304.95
38-2237-GR	REAR SEAT BELT SET-GRAY	EXT CAB	88-98 (1)	\$304.95
38-2237-RD	REAR SEAT BELT SET-RED	EXT CAB	88-98 (1)	\$304.95
38-2237-TN	REAR SEAT BELT SET-TAN	EXT CAB	88-98 (1)	\$304.95
Seat Belt Hardware				
30-0361	BOLT-RETRACTOR TO FLOOR	CHEVY GMC	88-98 (2)	\$1.55

Note: "A" Except 1996-98 trucks with optional 3rd door.

Seat Defender ... Dual Layer Defense for Your Seat



Top Layer



Bottom Layer



Prevent seat damage instead of covering it up. Universal design installs easily and fits virtually any bucket seat or split bench seat with headrest. Use it when you need it and remove it when you don't. Stores easily and is machine washable.

Dual-layer defense: top layer of 600D Terylene fabric guards against dirt, grease, pet dander, spills, etc.; and bottom layer of anti-skid thermoplastic rubber protects upholstery and keeps cover in position.

PART	DESCRIPTION	REQD	PRICE
38-2326	SEAT DEFENDER-BLACK	(AR)	\$43.95
38-2327	SEAT DEFENDER-GRAY	(AR)	\$45.25
38-2328	SEAT DEFENDER-TAN	(AR)	\$43.95

Replacement Rear View Mirrors



38-5120



38-1951

Replacement Rear View Mirrors include mirror mount.

PART	DESCRIPTION	APPLICATION	REQD	PRICE
38-5120	BLACK MIRROR 10"	DAY/NIGHT	88-92 (1)	\$11.95
39-5102	BLACK MIRROR 10"	"A" DAY/NIGHT	93-98 (1)	\$10.95
38-1951	CHROME MIRROR 9"	DAY/NIGHT	(1)	\$37.95
38-5119	MIRROR MOUNT		88-92 (1)	\$1.25
39-5116	MIRROR MOUNT		93-98 (1)	\$1.35
38-0710	GLUE-MIRROR MOUNT			\$3.95

Note: "A" Fits models without electronic compass.

Custom Replacement Rear View Mirrors



38-5160

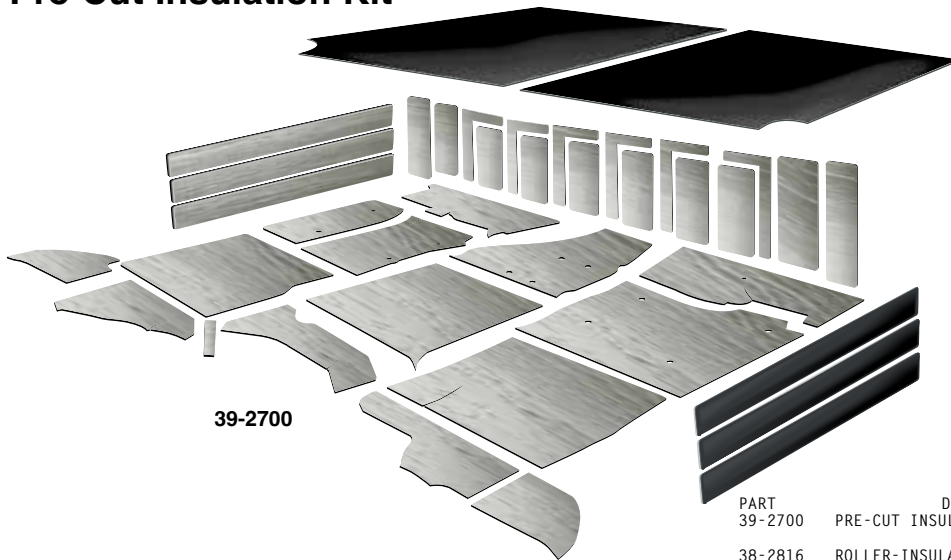
38-5170

1993-98 Trucks require mounting adaptor #31-3600 for installation.

Replacement Rear View Mirrors Include Mirror Mount

PART	DESCRIPTION	APPLICATION	REQD	PRICE
38-5160	CHROME MIRROR 8" RIBBED BACK	DAY/NIGHT	(1)	\$30.95
38-5170	BILLET MIRROR 9" POLISHED		(1)	\$59.95
31-3600	MOUNTING ADAPTOR		93-98 (1)	\$.95
38-0710	GLUE-MIRROR MOUNT			\$3.95

Pre-Cut Insulation Kit



39-2700



38-2816

Reduce noise and heat transfer inside your truck with a Pre-Cut Insulation Kit. Each panel has been cut to fit a specific location and a self-adhesive backing allows for fast and easy installation. Lightweight panels are foil over foam that vary between 2mm and 5mm thick. Pre-cut kits include thermal acoustic panels for the floor, doors, cab wall and roof. A 2" wide roller, sold separately, helps ensure full adhesion.

PART	DESCRIPTION	APPLICATION	REQD	PRICE
39-2700	PRE-CUT INSULATION KIT	STD CAB	88-98 (1)	\$331.95
38-2816	ROLLER-INSULATION	2" WIDE		\$12.95

EVA Sound Deadener and Heat Shield Kit



39-2775

Installation Tip: To reach the maximum level of sound dampening and insulation, use Multi-Purpose Insulation #38-2829 to cover any areas not protected by the EVA Sound Deadener and Heat Shield Kits. Use #38-0798 Spray Adhesive, #38-0759 Weatherstrip Adhesive and #38-0716 Aluminum Tape to install sound deadener, heat shield and insulation.

EVA Sound Deadener Kit



The EVA Sound Deadener Kit is die cut for easy installation. Made from OE type, 1/16" thick Ethyl Vinyl Acetate (EVA) which is an asphalt based material used for sound dampening. Applies directly to the cab floor. Reduces road noise and cab harmonics to give you a quieter ride and also helps to insulate against heat and cold. To further insulate against heat and cold, use in combination with the Heat Shield Kit.

PART	DESCRIPTION	APPLICATION	REQD	PRICE
39-2775	EVA SOUND DEADENER KIT-2PC	CHEVY GMC 88-98	(1)	\$54.95

Heat Shield Kit



Heat Shield Kit is die cut to match the EVA Sound Deadener Kit for easy installation. Consists of 1/4" thick, 24 ounce needle punched jute padding on one side which insulates against heat and cold. The other side has 2 layers of fiber reinforced aluminum foil reflecting up to 97% of radiant heat which helps to keep you warm in the winter and cool in the summer.

PART	DESCRIPTION	APPLICATION	REQD	PRICE
39-2775	HEAT SHIELD KIT-2PC	CHEVY GMC 88-98	(1)	\$49.45

Sound Control Mat



Silver

Black

Sound Control Mat reduces noise, vibration and heat created from the engine, road and structure of your vehicle. Can be applied to any interior surface area; cover as little as 25% of an area for a noticeable reduction. Each 2mm thick sheet consists of butyl rubber with a top layer of heat resistant aluminum that is easy to cut and conform to contoured surfaces, just peel and stick. Available in silver and black, each sheet measures 21" x 29".

PART	DESCRIPTION	APPLICATION	PRICE
1 Sheet			
38-2819	SOUND CONTROL MAT-SILVER	4.22 SQUARE FEET	\$12.95
38-2722	SOUND CONTROL MAT-BLACK	4.22 SQUARE FEET	\$12.95
38-2726	3-IN-1 SOUND CONTROL MAT	4.27 SQUARE FEET	\$14.95



3-in-1



Roller

3-in-1 Sound Control Mat combines the vibration absorption and heat resistant capabilities of the 2mm thick Sound Control Mat with an additional 5mm thick layer of foam for more efficient sound deadening. This makes it our most effective product for eliminating road noise and vibrations in your truck. Each sheet is 7mm thick and measures 19" x 31".

PART	DESCRIPTION	APPLICATION	PRICE
10 Sheet Packs			
38-2809	SOUND CONTROL MAT-SILVER	42.2 SQUARE FEET	\$139.95
38-2723	SOUND CONTROL MAT-BLACK	42.2 SQUARE FEET	\$139.95
38-2727	3-IN-1 SOUND CONTROL MAT	42.7 SQUARE FEET	\$159.95

Sound Control Mat Roller

Sound Control Mat Roller ensures proper adhesion and features a 2" wide rubber roller with a plastic handle.

PART	DESCRIPTION	APPLICATION	PRICE
38-2816	ROLLER-SOUND CONTROL MAT	2" WIDE	\$12.95

Molded Carpet ... Fits and Looks Like Original



39-2762-GR

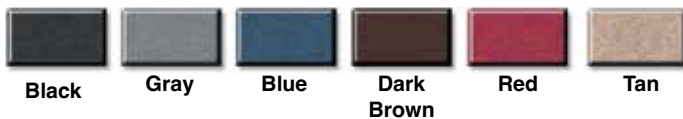
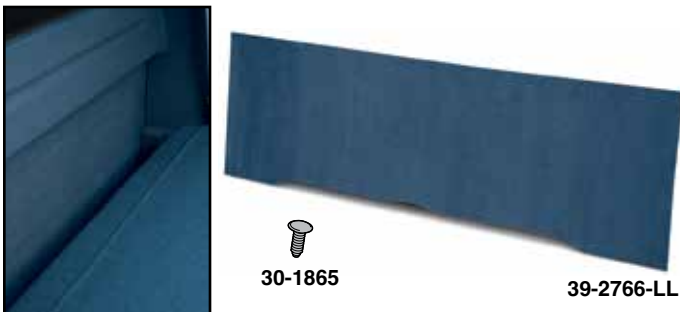
PART	DESCRIPTION	APPLICATION	REQD	PRICE
Standard Cab				
39-2760-BL	MOLDED CARPET BLACK	STD CAB	88-98 (1)	\$186.25
39-2760-GR	MOLDED CARPET GRAY	STD CAB	88-98 (1)	\$186.25
39-2760-LL	MOLDED CARPET BLUE	STD CAB	88-98 (1)	\$186.25
39-2760-DB	MOLDED CARPET DARK BROWN	STD CAB	88-98 (1)	\$186.25
39-2760-RD	MOLDED CARPET RED	STD CAB	88-98 (1)	\$186.25
39-2760-TN	MOLDED CARPET TAN	STD CAB	88-98 (1)	\$186.25
Extended Cab Without Rear Seat Floor Vents				
39-2762-BL	MOLDED CARPET BLACK	EXT CAB	88-98 (1)	\$207.95
39-2762-GR	MOLDED CARPET GRAY	EXT CAB	88-98 (1)	\$207.95
39-2762-LL	MOLDED CARPET BLUE	EXT CAB	88-98 (1)	\$207.95
39-2762-DB	MOLDED CARPET DARK BROWN	EXT CAB	88-98 (1)	\$207.95
39-2762-RD	MOLDED CARPET RED	EXT CAB	88-98 (1)	\$207.95
39-2762-TN	MOLDED CARPET TAN	EXT CAB	88-98 (1)	\$207.95
Extended Cab With Rear Seat Floor Vents				
39-2764-BL	MOLDED CARPET BLACK	EXT CAB	97-98 (1)	\$216.35
39-2764-GR	MOLDED CARPET GRAY	EXT CAB	97-98 (1)	\$216.35
39-2764-LL	MOLDED CARPET BLUE	EXT CAB	97-98 (1)	\$216.35
39-2764-TN	MOLDED CARPET TAN	EXT CAB	97-98 (1)	\$216.35

Cut pile carpet is molded from the original floor pan for a perfect fit that covers the entire floor. It's made from 100% nylon with an OE type heel pad. The heavy 36 ounce jute padding under the front passenger area helps insulate against heat and reduces road noise.

Color coordinated original style heel pad is attached. The color coordinated vinyl binding helps prevent fraying and adds the finishing touch.



Rear Cab Panel Carpet



PART	DESCRIPTION	APPLICATION	REQD	PRICE
39-2766-BL	CAB PANEL CARPET-BLACK	CHEVY GMC 88-98	(1)	\$60.55
39-2766-GR	CAB PANEL CARPET-GRAY	CHEVY GMC 88-98	(1)	\$60.55
39-2766-LL	CAB PANEL CARPET-BLUE	CHEVY GMC 88-98	(1)	\$60.55
39-2766-DB	CAB PANEL CARPET-DARK BROWN	CHEVY GMC 88-98	(1)	\$60.55
39-2766-RD	CAB PANEL CARPET-RED	CHEVY GMC 88-98	(1)	\$60.55
39-2766-TN	CAB PANEL CARPET-TAN	CHEVY GMC 88-98	(1)	\$60.55
30-1865	RETAINER-CAB PANEL CARPET	CHEVY GMC 88-98	(5)	\$.65

Kick Panel Carpet



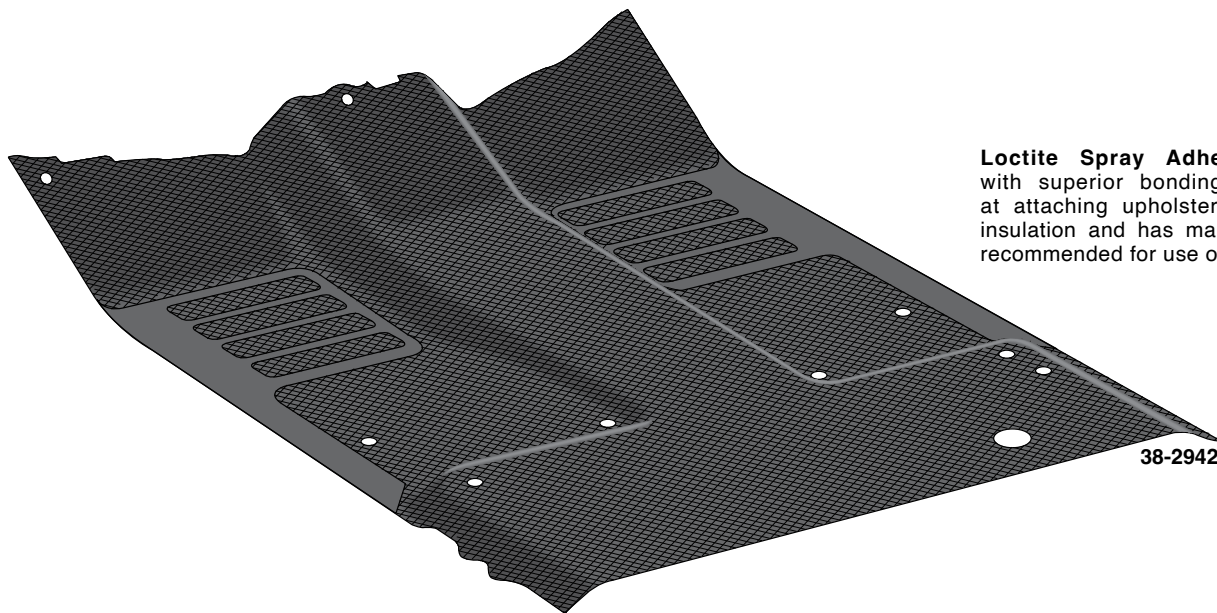
Made from the highest quality 100% nylon cut pile material, these carpets are made to match the color of the Molded Carpet Sets.

Edges are finished with color coordinated vinyl trim. Easy installation.



PART	DESCRIPTION	APPLICATION	REQD	PRICE
39-2767-BL	KICK PANEL CARPET SET-BLACK	CHEVY GMC 88-94	(1)	\$35.25
39-2767-GR	KICK PANEL CARPET SET-GRAY	CHEVY GMC 88-94	(1)	\$35.25
39-2767-LL	KICK PANEL CARPET SET-BLUE	CHEVY GMC 88-94	(1)	\$35.25
39-2767-DB	KICK PANEL CARPET SET-DARK BROWN	CHEVY GMC 88-94	(1)	\$35.25
39-2767-RD	KICK PANEL CARPET SET-RED	CHEVY GMC 88-94	(1)	\$35.25
39-2767-TN	KICK PANEL CARPET SET-TAN	CHEVY GMC 88-94	(1)	\$35.25

Rubber Floor Mat Is One Piece Replacement for OE Mats



38-2942

Loctite Spray Adhesive dries clear with superior bonding strength. Excels at attaching upholstery cloth, carpeting, insulation and has many other uses. Not recommended for use on headliners.



38-0798

This is a full replacement of OE mats for 1/2 or 3/4 ton pickups and is one piece for easy installation. This mat covers the entire floor and comes with padding. Call or go online and order today!

This all black Rubber Floor Mat is molded and ready to go.

PART	DESCRIPTION	APPLICATION	REQD	PRICE
38-2942	RUBBER FLOOR MAT STD CAB	CHEVY GMC 88-98	(1)	\$259.95
38-0798	SPRAY ADHESIVE	10.5 OZ CAN		\$8.95

Multi-Purpose Heat and Sound Insulation

Uses Space Age technology to insulate against heat, cold and noise under hoods, carpeting, headliners, door panels, firewalls or seats as well as other household uses. This 4-foot x 6-foot sheet is made of 3/8" sound deadening fiber padding. Highly reflective aluminum is bonded on one side to achieve 97% reflection of radiant heat. Use this Multi-Purpose Insulation with Sound Control Mat for maximum sound deadening. Call or go online and order both today!

Use #38-0798 Spray Adhesive and #38-0716 Aluminum Tape or #38-0759 Weatherstrip Adhesive to easily install Insulation Material.



38-2829



38-0716



38-0759



38-0798

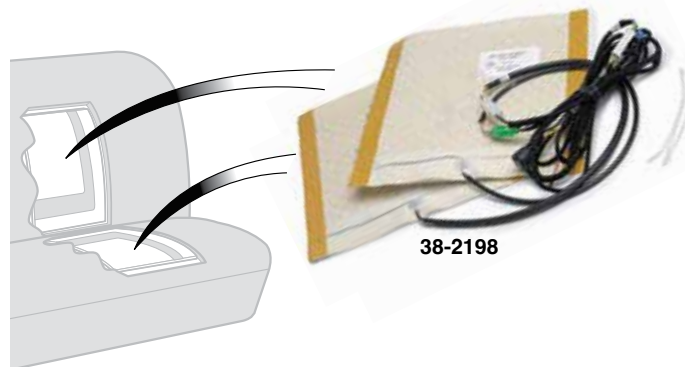
PART	DESCRIPTION	APPLICATION	PRICE
38-2829	MULTI-PURPOSE INSULATION	4FT X 6FT ROLL	\$32.95
38-0716	ALUMINUM TAPE	2" X 30FT ROLL	\$4.45
38-0759	WEATHERSTRIP ADHESIVE-BLACK	5 OUNCE TUBE	\$8.95
38-0798	SPRAY ADHESIVE	10.5 OUNCE CAN	\$8.95

Seat Heater Kits ... Warm Yourself Up Before Your Truck Warms Up

Seat Heaters are constructed with patented carbon fiber heating elements which give consistent and controlled warmth. Paper thin heating elements are water-resistant and install between any seat cover material and seat cushion. Kit includes heating elements for seat back and bottom, three-way switch (Off/Low/High), pre-wired relay harness with fuse and instructions.

#38-2198 contains two 11" x 11" heater elements. (One for seat back and one for seat bottom.) Ideal for use in bucket seat applications.

#38-2199 contains two 11" x 22" heater elements. (One for seat back and one for seat bottom.) Ideal for use in bench seat applications.



38-2198

PART	DESCRIPTION	APPLICATION	REQD	PRICE
38-2198	SEAT HEATER KIT-11 X 11 ELEMENTS	CHEVY GMC	(AR)	\$64.95
38-2199	SEAT HEATER KIT-11 X 22 ELEMENTS	CHEVY GMC	(AR)	\$89.95

DOJAMAT Retro Floor Mats
RETRO FLOOR MATS DONE RIGHT

Protect your truck's carpet with these Retro Rubber Floor Mats from Dojamat. Pattered after the very popular floor mats available in the '70s and '80s, they're the perfect final touch to your truck's interior.

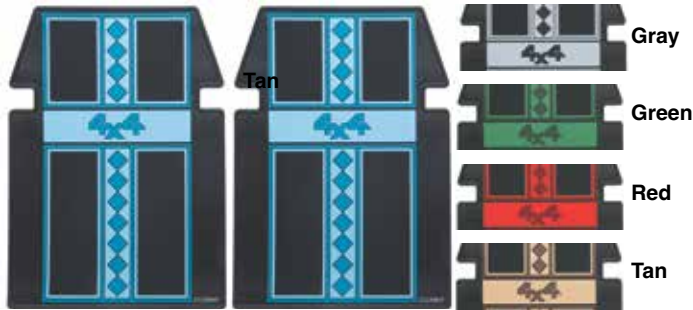
They are made from 100% premium grade durable black rubber, top and bottom. Retro rubber floor mats feature several gripping areas for non-slip fit.

Each set comes with two floor mats.

Floor Mats Measure
19-3/4" Wide x 27-1/2" Tall



"4x4" Floor Mat Sets



PART	DESCRIPTION	PRICE
37-5022-LL	"4X4" - BLUE	\$124.95
37-5022-GR	"4X4" - GRAY	\$124.95
37-5022-GN	"4X4" - GREEN	\$124.95
37-5022-RD	"4X4" - RED	\$124.95
37-5022-TN	"4X4" - TAN	\$124.95

"TRUCK'N HORNS" Floor Mat Sets



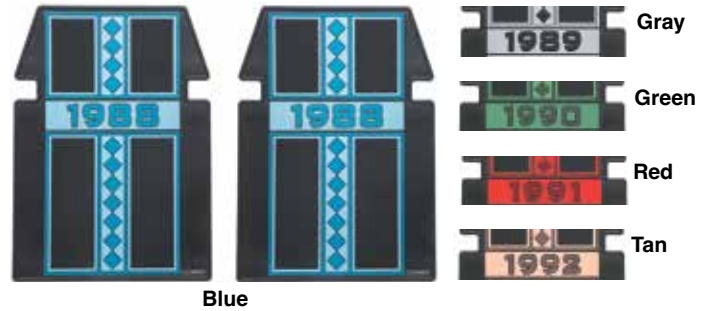
PART	DESCRIPTION	PRICE
37-5024-LL	"TRUCK'N HORNS" - BLUE	\$124.95
37-5024-GR	"TRUCK'N HORNS" - GRAY	\$124.95
37-5024-GN	"TRUCK'N HORNS" - GREEN	\$124.95
37-5024-RD	"TRUCK'N HORNS" - RED	\$124.95
37-5024-TN	"TRUCK'N HORNS" - TAN	\$124.95

"HORNS" Floor Mat Sets



PART	DESCRIPTION	PRICE
37-5023-LL	"PLAIN HORNS" - BLUE	\$124.95
37-5023-GR	"PLAIN HORNS" - GRAY	\$124.95
37-5023-GN	"PLAIN HORNS" - GREEN	\$124.95
37-5023-RD	"PLAIN HORNS" - RED	\$124.95
37-5023-TN	"PLAIN HORNS" - TAN	\$124.95

Floor Mat Sets with Years



PART	DESCRIPTION	PRICE
37-5035-LL	"1988" - BLUE	\$124.95
37-5035-GR	"1988" - GRAY	\$124.95
37-5035-GN	"1988" - GREEN	\$124.95
37-5035-RD	"1988" - RED	\$124.95
37-5035-TN	"1988" - TAN	\$124.95
37-5036-LL	"1989" - BLUE	\$124.95
37-5036-GR	"1989" - GRAY	\$124.95
37-5036-GN	"1989" - GREEN	\$124.95
37-5036-RD	"1989" - RED	\$124.95
37-5036-TN	"1989" - TAN	\$124.95
37-5037-LL	"1990" - BLUE	\$124.95
37-5037-GR	"1990" - GRAY	\$124.95
37-5037-GN	"1990" - GREEN	\$124.95
37-5037-RD	"1990" - RED	\$124.95
37-5037-TN	"1990" - TAN	\$124.95
37-5038-LL	"1991" - BLUE	\$124.95
37-5038-GR	"1991" - GRAY	\$124.95
37-5038-GN	"1991" - GREEN	\$124.95
37-5038-RD	"1991" - RED	\$124.95
37-5038-TN	"1991" - TAN	\$124.95
37-5039-LL	"1992" - BLUE	\$124.95
37-5039-GR	"1992" - GRAY	\$124.95
37-5039-GN	"1992" - GREEN	\$124.95
37-5039-RD	"1992" - RED	\$124.95
37-5039-TN	"1992" - TAN	\$124.95

Original Style Front Rubber Floor Mat Set

1988-98 Chevy & GMC Truck



These Rubber Floor Mats protect your carpets from the everyday wear and tear as well as mud, sand and the sun which causes your carpet to fade. Rubber Floor Mats are made from easy to clean PVC Rubber and backed with anti slip spikes to help them stay in place.



GM Official Licensed Product is purchased from an authorized GM Licensee.

PART	DESCRIPTION	APPLICATION	REQD	PRICE
38-2649-BL	FRONT RUBBER FLOOR MAT SET	BLACK	88-98 (1)	\$129.95
38-2649-LL	FRONT RUBBER FLOOR MAT SET	BLUE	88-98 (1)	\$129.95
38-2649-GR	FRONT RUBBER FLOOR MAT SET	GRAY	88-98 (1)	\$129.95

1/8" Thick Molded Industrial Polyvinyl (MIP) Floor Mats



Heavy-duty Molded Industrial Polyvinyl (MIP) Floor Mats are made of durable 1/8" thick industrial Polyvinyl and are resistant to moisture and temperature; therefore, they will not dry rot or crack and last longer than rubber. They are vacuum molded from the original floor pan to cover the entire floor, making installation easy.

Mats are easy to clean and protect your interior from water, snow, mud and most chemicals. The MIP Floor Mat includes pre-cut 36 ounce jute padding under the passenger areas to provide a higher level of insulation against heat, cold and road noise.



Available In

Black

Gray

Installation Tip: Allow mats to lay unfolded for 48 hours at room temperature of 72° or more to help remove creases caused by packing. Test fit prior to making any permanent installations (some trimming may be necessary).

39-2770-BL

PART	DESCRIPTION	APPLICATION	REQD	PRICE
39-2770-BL	MIP FLOOR MAT-BLACK STD CAB	CHEVY GMC 88-98	(1)	\$186.25
39-2770-GR	MIP FLOOR MAT-GRAY STD CAB	CHEVY GMC 88-98	(1)	\$194.95
39-2772-BL	MIP FLOOR MAT-BLACK EXT CAB "A"	CHEVY GMC 88-98	(1)	\$207.95
39-2772-GR	MIP FLOOR MAT-GRAY EXT CAB "A"	CHEVY GMC 88-98	(1)	\$214.95

Note: "A" Will not fit 1997-98 models with rear seat floor vents.

Floor Liners ... Tough and Durable Protection for Your Truck

Floor Liners protect your truck's carpet from water, snow, mud and most chemicals. Molded for an exact fit from a patented rubberized thermo-plastic material, guaranteed not to crack or break. Raised outer rim traps up to 2 gallons of liquid. Driver's side mat is equipped with an extra thick heel pad to offer heel protection and guard against wear in this high use area. Floor mats conform to the shape of your vehicle's floor and have an anti-slip back. Cleanup is easy, just wipe up small areas with a cloth or remove the mat and hose it off.

PART	DESCRIPTION	BLACK	GRAY	TAN	APPLICATION	REQD	PRICE
37-7360-BL	FRONT FLOOR LINER SET				CHEVY GMC 88-98	(1)	\$86.95
37-7360-TN	FRONT FLOOR LINER SET				CHEVY GMC 88-98	(1)	\$86.95
37-7370-BL	CENTER HUMP LINER "A"				CHEVY GMC 88-98	(1)	\$53.95
37-7370-GR	CENTER HUMP LINER "A"				CHEVY GMC 88-98	(1)	\$53.95
37-7370-TN	CENTER HUMP LINER "A"				CHEVY GMC 88-98	(1)	\$53.95
37-7371-BL	CENTER HUMP LINER "B"				CHEVY GMC 88-98	(1)	\$53.95
37-7380-BL	REAR FLOOR LINER SET				EXT CAB 88-98	(1)	\$86.95
37-7380-GR	REAR FLOOR LINER SET				EXT CAB 88-98	(1)	\$79.99
37-7380-TN	REAR FLOOR LINER SET				EXT CAB 88-98	(1)	\$86.95

Note: "A" 1-piece without floor console shifter.
 "B" 1-piece with manual transmission and/or 4x4 transfer case.



Front and Center Hump Floor Liners



Rear Floor Liners

Logo Floor Mat Set Protects Your Carpet

Bowtie and GMC



38-2684-BL



38-2682-BL

GM Official Licensed Product is purchased from an authorized GM Licensee.

These mats protect your carpets from the everyday wear and tear as well as mud, sand, snow and the sun which cause your carpet to fade. Floor mats are made from OE 100% Nylon cut pile. They are trimmed with color coordinated vinyl binding and feature an embroidered logo and a grip lock non-skid backing to help them stay in place.

PART	DESCRIPTION	APPLICATION	REQD	PRICE
38-2682-BL	FLOOR MAT SET-BLACK W/SOLID RED BOWTIE	88-98	(1)	\$144.95
38-2684-BL	FLOOR MAT SET-BLACK W/WHITE & RED GMC	88-98	(1)	\$144.95

Carpeted Floor Mats

These mats protect your carpets from the everyday wear and tear as well as mud, sand, snow and the sun which cause your carpet to fade. Floor mats are made from 100% nylon, trimmed with color coordinated vinyl binding and feature a grip lock non-skid backing to help them stay in place.



38-2639-GR

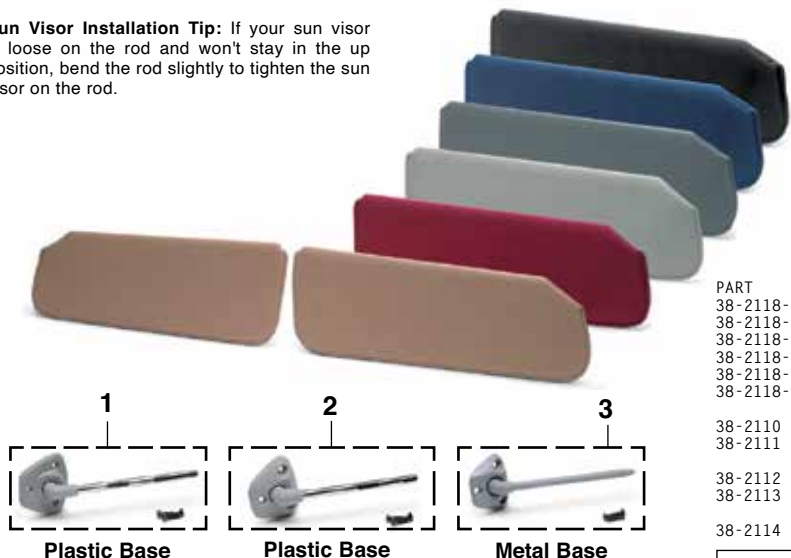


Black Gray Blue Dark Brown Red Tan

PART	DESCRIPTION	APPLICATION	REQD	PRICE
38-2639-BL	FRONT MAT SET-BLACK	CHEVY GMC 88-98	(1)	\$96.35
38-2639-GR	FRONT MAT SET-GRAY	CHEVY GMC 88-98	(1)	\$96.35
38-2639-BL	FRONT MAT SET-BLACK	CHEVY GMC 88-98	(1)	\$96.35
38-2639-LL	FRONT MAT SET-BLUE	CHEVY GMC 88-98	(1)	\$96.35
38-2639-DB	FRONT MAT SET-DARK BROWN	CHEVY GMC 88-98	(1)	\$96.35
38-2639-RD	FRONT MAT SET-RED	CHEVY GMC 88-98	(1)	\$96.35
38-2639-TN	FRONT MAT SET-TAN	CHEVY GMC 88-98	(1)	\$96.35

Cloth Sun Visor Set

Sun Visor Installation Tip: If your sun visor is loose on the rod and won't stay in the up position, bend the rod slightly to tighten the sun visor on the rod.



These Reproduction Sun Visors look like the originals, right down to the evenly stitched bindings. They are covered with a foam backed cloth material. There were 3 types of Sun Visor Brackets used on trucks from 1988-98. Please check yours before ordering.

PART	ILL#	DESCRIPTION	APPLICATION	REQD	PRICE
38-2118-BL		SUN VISOR SET BLACK	CHEVY GMC 88-98	(1)	\$107.95
38-2118-LL		SUN VISOR SET BLUE	CHEVY GMC 88-98	(1)	\$107.95
38-2118-DG		SUN VISOR SET DARK GRAY	CHEVY GMC 88-98	(1)	\$107.95
38-2118-LG		SUN VISOR SET LIGHT GRAY	CHEVY GMC 88-98	(1)	\$107.95
38-2118-DR		SUN VISOR SET DARK RED	CHEVY GMC 88-98	(1)	\$107.95
38-2118-TN		SUN VISOR SET TAN	CHEVY GMC 88-98	(1)	\$107.95
38-2110	(1)	BRACKET-W/SCREWS-REPRO-LH"A"	CHEVY GMC 88-98	(1)	\$10.45
38-2111		BRACKET-W/SCREWS-REPRO-RH"A"	CHEVY GMC 88-98	(1)	\$10.45
38-2112	(2)	BRACKET-W/SCREWS-REPRO-LH"A"	CHEVY GMC 88-91	(1)	\$9.45
38-2113		BRACKET-W/SCREWS-REPRO-RH"A"	CHEVY GMC 88-91	(1)	\$9.45
38-2114	(3)	BRACKET-W/SCREWS-REPRO "A"	CHEVY GMC 91-92	(2)	\$11.95

Note: "A" Paintable to match the color of your interior.

Front Door Threshold Plate Set



Polished Stainless Steel Threshold Plate Set protects your threshold plates from scuffs and scrapes. Sold as a set of two.

PART	DESCRIPTION	APPLICATION	REQD	PRICE
37-8043	THRESHOLD PLATE SET-SS-FRONT	CHEVY GMC 88-98	(1)	\$32.95

Outside Chrome Door and Tailgate Handles



PART	DESCRIPTION	APPLICATION	REQD	PRICE
37-7989	CHROME DOOR HANDLE SET-OUTSIDE	CHEVY GMC 88-94	(1)	\$49.95
37-7993	CHROME DOOR HANDLE SET-OUTSIDE	CHEVY GMC 95-98	(1)	\$49.95
37-7996	CHROME TAILGATE HANDLE W/BEZEL	CHEVY GMC 88-98	(1)	\$29.95

Door Sill Plates

1988-98 Chevy & GMC Truck



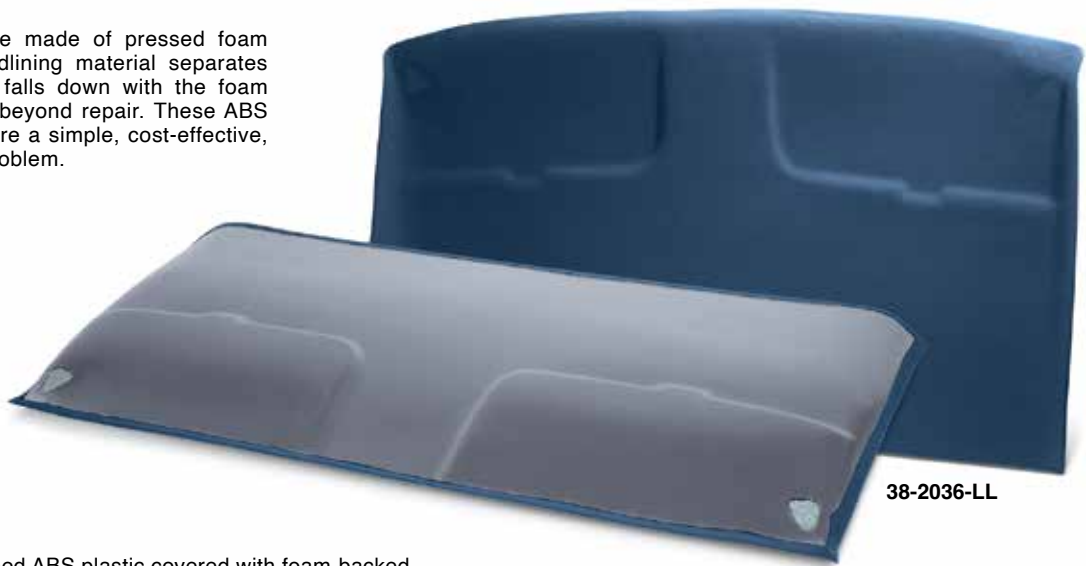
PART	DESCRIPTION	APPLICATION	REQD	PRICE
39-2400-BG	DOOR SILL PLATE BEIGE	CHEVY GMC 88-91	(2)	\$9.95
39-2402-BG	DOOR SILL PLATE BEIGE	CHEVY GMC 92-95	(2)	\$9.95
39-2400-LL	DOOR SILL PLATE BLUE	CHEVY GMC 88-94	(2)	\$9.95
39-2402-LL	DOOR SILL PLATE BLUE	CHEVY GMC 95-98	(2)	\$9.95
39-2400-GR	DOOR SILL PLATE GRAY	CHEVY GMC 88-91	(2)	\$9.95
39-2402-GR	DOOR SILL PLATE GRAY	CHEVY GMC 92-94	(2)	\$9.95
39-2404-GR	DOOR SILL PLATE GRAY	CHEVY GMC 95-98	(2)	\$9.95

PART	DESCRIPTION	APPLICATION	REQD	PRICE
39-2400-NT	DOOR SILL PLATE NEUTRAL	CHEVY GMC 96-98	(2)	\$9.95
39-2400-RD	DOOR SILL PLATE RED	CHEVY GMC 88-94	(2)	\$9.95
39-2404-RD	DOOR SILL PLATE RED	CHEVY GMC 95-98	(2)	\$9.95
31-0540	SCREW-BLACK W/O 3RD DOOR	CHEVY GMC 88-98	(6)	\$1.25
31-0540	SCREW-BLACK W/3RD DOOR	CHEVY GMC 96-98	(7)	\$1.25

ABS Plastic Headliners ... The Long-Term Solution to Sagging Headliners

The original headliners are made of pressed foam board. Over time the headlining material separates from the foam board and falls down with the foam board usually deteriorated beyond repair. These ABS plastic-backed headliners are a simple, cost-effective, long-term solution to this problem.

- Easy Installation
- No Special Tools
- Instructions Included



Headliners are vacuum-formed ABS plastic covered with foam-backed cloth materials in colors that fit and function as original.

PART	DESCRIPTION	APPLICATION	REQD	PRICE
Headliners - Standard Cab				
<i>Standard Cab Headliners do not fit models originally equipped with Vinyl Headliners.</i>				
38-2036-BL	HEADLINER BLACK	STD CAB	88-98 (1)	\$255.95**
38-2036-LL	HEADLINER BLUE	STD CAB	88-98 (1)	\$255.95**
38-2036-DG	HEADLINER DARK GRAY	STD CAB	88-98 (1)	\$255.95**
38-2036-LG	HEADLINER LIGHT GRAY	STD CAB	88-98 (1)	\$255.95**
38-2036-DR	HEADLINER DARK RED	STD CAB	88-98 (1)	\$255.95**
38-2036-TN	HEADLINER TAN	STD CAB	88-98 (1)	\$255.95**



PART	DESCRIPTION	APPLICATION	REQD	PRICE
Headliners - Extended Cab without 3rd Door without Overhead Console				
38-2037-BL	HEADLINER BLACK	EXT CAB	88-98 (1)	\$285.95*
38-2037-LL	HEADLINER BLUE	EXT CAB	88-98 (1)	\$285.95*
38-2037-DG	HEADLINER DARK GRAY	EXT CAB	88-98 (1)	\$287.95*
38-2037-LG	HEADLINER LIGHT GRAY	EXT CAB	88-98 (1)	\$285.95*
38-2037-DR	HEADLINER DARK RED	EXT CAB	88-98 (1)	\$285.95*
38-2037-TN	HEADLINER TAN	EXT CAB	88-98 (1)	\$285.95*

PART	DESCRIPTION	APPLICATION	REQD	PRICE
Headliners - Extended Cab with 3rd Door without Overhead Console				
38-2048-BL	HEADLINER BLACK	EXT CAB	96-98 (1)	\$325.95*
38-2048-DG	HEADLINER DARK GRAY	EXT CAB	96-98 (1)	\$325.95*
38-2048-LG	HEADLINER LIGHT GRAY	EXT CAB	96-98 (1)	\$325.95*
38-2048-DR	HEADLINER DARK RED	EXT CAB	96-98 (1)	\$325.95*
38-2048-TN	HEADLINER TAN	EXT CAB	96-98 (1)	\$325.95*

PART	DESCRIPTION	APPLICATION	REQD	PRICE
Headliners - Extended Cab with 3rd Door with Overhead Console				
38-2049-BL	HEADLINER BLACK	EXT CAB	96-98 (1)	\$325.95*
38-2049-LL	HEADLINER BLUE	EXT CAB	96-98 (1)	\$325.95*
38-2049-DG	HEADLINER DARK GRAY	EXT CAB	96-98 (1)	\$325.95*
38-2049-LG	HEADLINER LIGHT GRAY	EXT CAB	96-98 (1)	\$325.95*
38-2049-DR	HEADLINER DARK RED	EXT CAB	96-98 (1)	\$325.95*
38-2049-TN	HEADLINER TAN	EXT CAB	96-98 (1)	\$325.95*

* Or ** after the sell price means your order will incur an Oversize Part Charge for each oversized part. * Means extra charge will be \$20. ** Means extra charge will be \$50. Due to packing and/or transportation requirements, please allow additional time for delivery. Oversized Parts are not available for air delivery.

Highliner with Built-In Speakers ... For a Stereo System Above the Rest

Highliner uses four built-in, uniquely placed speakers which guarantee true stereo separation as well as less distortion and ensures clarity at lower volume levels by neutralizing the echo effect found in most pickups. Radio console is designed to accept optional aftermarket stereo cassette players, CD players or CB radios.

Highliner is manufactured from high-impact, leather-grained, black ABS plastic and can be painted to match the color of the interior. It installs easily and includes four 4" air suspension speakers with a 5.8 ounce magnet, which handles up to 10 watts of power. Features high-temperature resistant voice coils and comes with foam speaker baffle and suppression pads, antenna extension cable, bezel plate, installation hardware and instructions.



**Match the Color of Your Interior with ColorBond
See Page 79.**

PART	DESCRIPTION	APPLICATION	REQD	PRICE
38-2047-BL	HIGHLINER W/BUILT-IN SPEAKERS	STD CAB	88-98 (1)	\$489.95*

* Or ** after the sell price means your order will incur an Oversize Part Charge for each oversized part. * Means extra charge will be \$20. ** Means extra charge will be \$50. Due to packing and/or transportation requirements, please allow additional time for delivery. Oversized Parts are not available for air delivery.

Molded Plastic Dash Covers

1988-94 Chevy & GMC Truck

Dash Covers are made from molded heat-resistant black plastic that expands and contracts with the temperature changes for durability. Painted in available colors with an ultraviolet inhibitor to prevent sun damage. They are designed to install quickly over your existing dash without use of special tools. Adhesive is included.



39-2450-LL



PART	DESCRIPTION	APPLICATION	REQD	PRICE
39-2450-BL	DASH COVER BLACK	CHEVY GMC 88-94	(1)	\$129.95
39-2450-LL	DASH COVER BLUE	CHEVY GMC 88-94	(1)	\$131.95
39-2450-GR	DASH COVER GRAY	CHEVY GMC 88-94	(1)	\$131.95
39-2450-DR	DASH COVER DARK RED	CHEVY GMC 88-94	(1)	\$131.95
39-2450-SD	DASH COVER SADDLE	CHEVY GMC 88-94	(1)	\$131.95



Molded Plastic Dash Covers

1995-98 Chevy & GMC Truck

1995-96



Black

Blue

Gray

Dark Red

1997-98



Tan

PART	DESCRIPTION	APPLICATION	REQD	PRICE
39-2481-BL	DASH COVER BLACK	CHEVY GMC 95-96	(1)	\$191.95*
39-2481-LL	DASH COVER BLUE	CHEVY GMC 95-96	(1)	\$191.95*
39-2481-GR	DASH COVER GRAY	CHEVY GMC 95-96	(1)	\$191.95*
39-2481-DR	DASH COVER DARK RED	CHEVY GMC 95-96	(1)	\$191.95*
39-2481-TN	DASH COVER TAN	CHEVY GMC 95-96	(1)	\$191.95*
39-2482-BL	DASH COVER BLACK	CHEVY GMC 97-98	(1)	\$214.95*
39-2482-LL	DASH COVER BLUE	CHEVY GMC 97-98	(1)	\$214.95*
39-2482-GR	DASH COVER GRAY	CHEVY GMC 97-98	(1)	\$214.95*
39-2482-DR	DASH COVER DARK RED	CHEVY GMC 97-98	(1)	\$214.95*
39-2482-TN	DASH COVER TAN	CHEVY GMC 97-98	(1)	\$214.95*

These Dash Covers are made from durable ABS plastic and vacuum molded for a perfect fit. Will not crack under extreme temperatures. They are designed to install quickly over your existing dash without use of special tools. Adhesive is included.

* Or ** after the sell price means your order will incur an Oversize Part Charge for each oversized part. * Means extra charge will be \$20. ** Means extra charge will be \$50. Due to packing and/or transportation requirements, please allow additional time for delivery. Oversized Parts are not available for air delivery.

Dash Protector ... Prevents Fading and Cracking

38-2627-GR



Black

Blue

Gray

Red

Tan

Dash Protector eliminates dash replacement and provides preventative care for the undamaged dash. Made from soft, velvety velour that has special UV inhibitors to block the sun and resist shrinking and fading. They are custom cut to fit your dash, and have pre-cut allowances for defrost vents, which makes installation easy using self-adhesive Velcro tabs.

5-Year Warranty

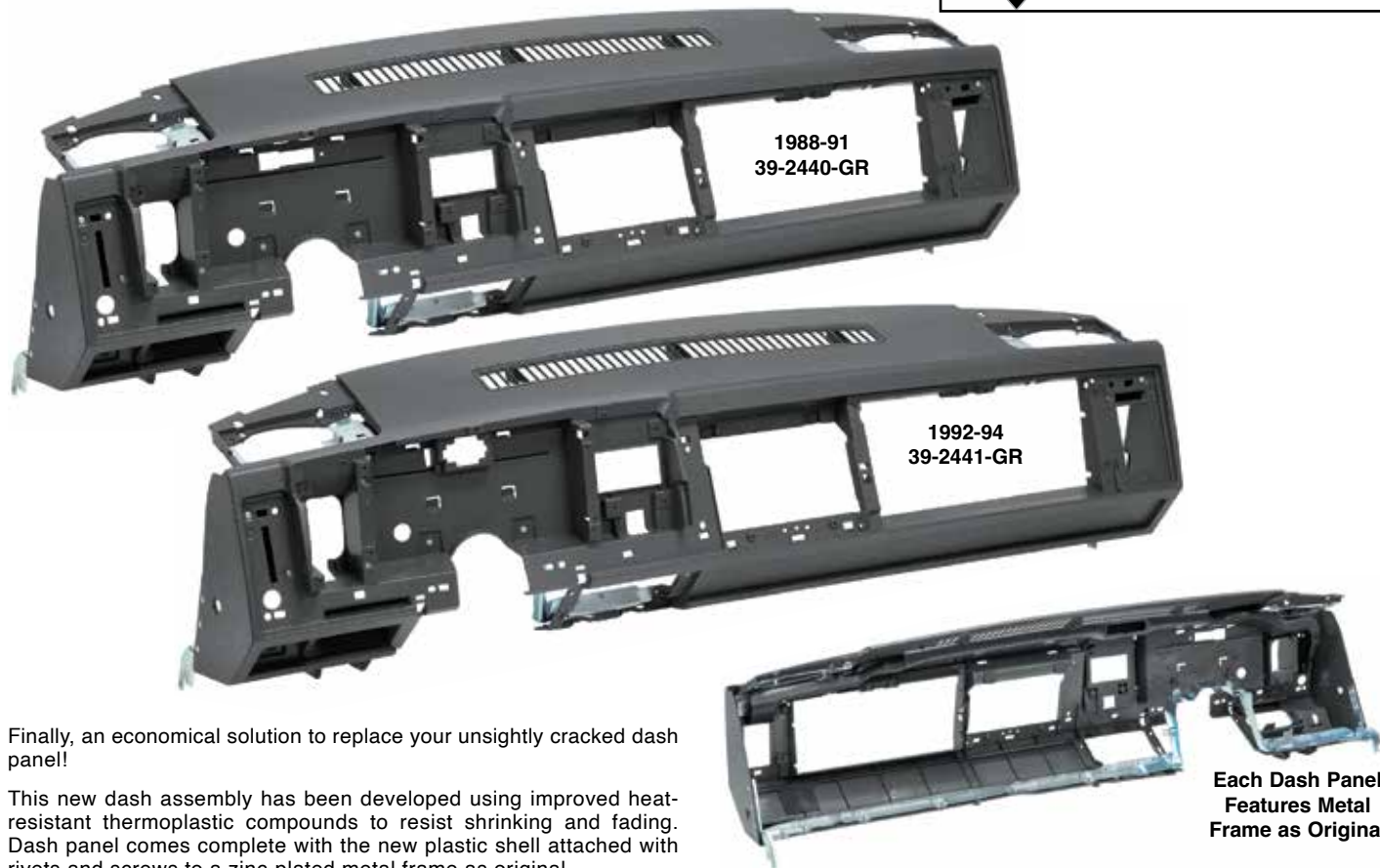
PART	DESCRIPTION	APPLICATION	REQD	PRICE
38-2625-BL	DASH PROTECTOR-VELOUR BLACK	CHEVY GMC 95-96	(1)	\$47.95
38-2625-LL	DASH PROTECTOR-VELOUR BLUE	CHEVY GMC 95-96	(1)	\$47.95
38-2625-GR	DASH PROTECTOR-VELOUR GRAY	CHEVY GMC 95-96	(1)	\$47.95
38-2625-RD	DASH PROTECTOR-VELOUR RED	CHEVY GMC 95-96	(1)	\$47.95
38-2625-TN	DASH PROTECTOR-VELOUR TAN	CHEVY GMC 95-96	(1)	\$47.95
38-2627-BL	DASH PROTECTOR-VELOUR BLACK	CHEVY GMC 97-98	(1)	\$47.95
38-2627-LL	DASH PROTECTOR-VELOUR BLUE	CHEVY GMC 97-98	(1)	\$47.95
38-2627-GR	DASH PROTECTOR-VELOUR GRAY	CHEVY GMC 97-98	(1)	\$47.95
38-2627-RD	DASH PROTECTOR-VELOUR RED	CHEVY GMC 97-98	(1)	\$47.95
38-2627-TN	DASH PROTECTOR-VELOUR TAN	CHEVY GMC 97-98	(1)	\$47.95

Dash Panel Assembly ... A New, Permanent and Economical Solution to Your Cracked Dash

1988-94 Chevy & GMC Truck



TECH TIP: Includes installation tip instructions and hardware to reduce side gaps if required.



Finally, an economical solution to replace your unsightly cracked dash panel!

This new dash assembly has been developed using improved heat-resistant thermoplastic compounds to resist shrinking and fading. Dash panel comes complete with the new plastic shell attached with rivets and screws to a zinc-plated metal frame as original.

Dash panel is painted in gray using paint mixed with an ultraviolet inhibitor to help prevent damage from the exposure to sunlight. Panel is ready to be prepped and painted to match your interior using ColorBond, shown on page 79.

The dash assembly includes the air duct sealed to the panel as original and ready to accept all your factory components.

Each Dash Panel Features Metal Frame as Original

PART	DESCRIPTION	APPLICATION	REQD	PRICE
39-2440-GR	DASH PANEL ASSEMBLY-GRAY	CHEVY GMC 88-91	(1)	\$439.95**
39-2441-GR	DASH PANEL ASSEMBLY-GRAY	CHEVY GMC 92-94	(1)	\$449.95**

* Or ** after the sell price means your order will incur an Oversize Part Charge for each oversized part. * Means extra charge will be \$20. ** Means extra charge will be \$50. Due to packing and/or transportation requirements, please allow additional time for delivery. Oversized Parts are not available for air delivery.

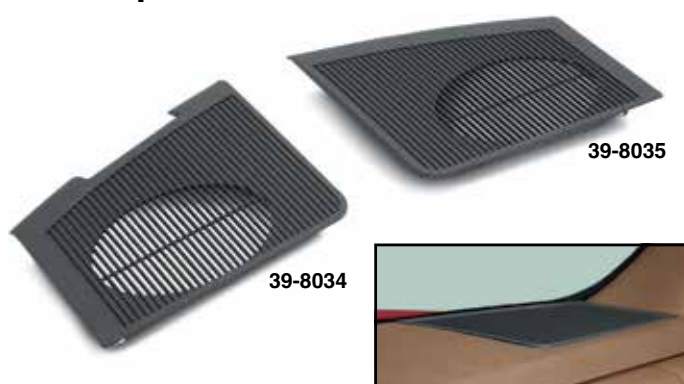
Dash Vent Outlets

1988-94 Chevy & GMC Truck



PART	DESCRIPTION	APPLICATION	REQD	PRICE
39-2554	BLACK VENT OUTLET-LH	CHEVY GMC 88-94	(1)	\$9.45
39-2560	BLACK VENT OUTLET-CENTER	CHEVY GMC 88-94	(2)	\$14.95
39-2555	BLACK VENT OUTLET-RH	CHEVY GMC 88-94	(1)	\$6.95
39-2596	CHROME VENT OUTLET-LH	CHEVY GMC 88-94	(1)	\$14.95
39-2598	CHROME VENT OUTLET-CENTER	CHEVY GMC 88-94	(2)	\$17.95
39-2599	CHROME VENT OUTLET-RH	CHEVY GMC 88-94	(1)	\$14.95

Dash Speaker Grilles



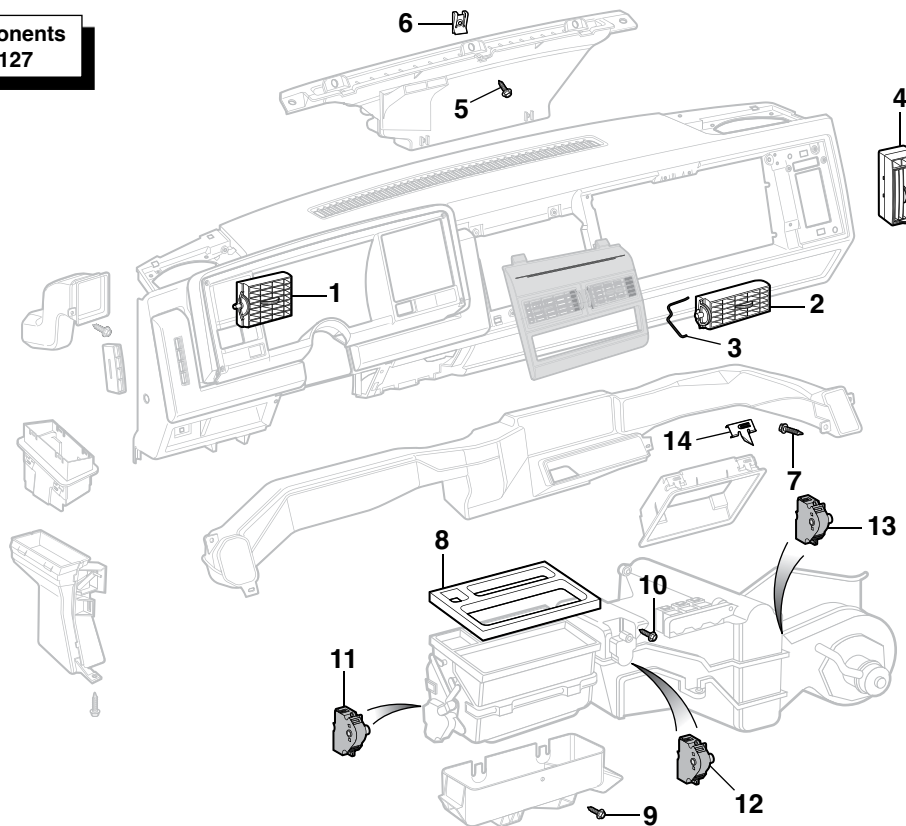
PART	DESCRIPTION	APPLICATION	REQD	PRICE
39-8034	GRILLE-DASH SPEAKER-LH	"A" CHEVY GMC 88-94	(1)	\$24.95
39-8035	GRILLE-DASH SPEAKER-RH	"A" CHEVY GMC 88-94	(1)	\$24.95

Note: "A" Does not include fabric cover; may be painted to match the color of your interior. Match the Color of Your Interior with ColorBond - See Page 79.

Air Vent Outlets and Components

1988-94 Chevy & GMC Truck

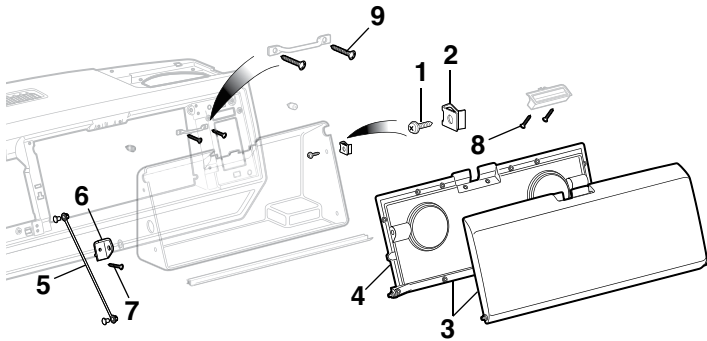
Heater Components
See Page 127



PART	ILL#	DESCRIPTION	APPLICATION	REQD	PRICE	PART	ILL#	DESCRIPTION	APPLICATION	REQD	PRICE
39-2596	(1)	VENT OUTLET-LH-CHROME	CHEVY GMC 88-94	(1)	\$14.95	30-0454	(7)	SCREW	CHEVY GMC 88-94	(6)	\$.95
39-2554		VENT OUTLET-LH-BLACK	CHEVY GMC 88-94	(1)	\$9.45	31-2307	(8)	SEAL	CHEVY GMC 89-94	(1)	\$9.95
39-2598	(2)	VENT OUTLET-CENTER-CHROME	CHEVY GMC 88-94	(2)	\$17.95	30-0454	(9)	SCREW-FLOOR AIR OUTLET	CHEVY GMC 88-94	(6)	\$.95
39-2560		VENT OUTLET-CENTER-BLACK	CHEVY GMC 88-94	(2)	\$14.95	31-0317	(10)	SCREW	CHEVY GMC 88-94	(AR)	\$.95
31-1371	(3)	RETAINER	CHEVY GMC 88-94	(2)	\$1.25	39-2600	(11)	AIR DOOR ACTUATOR - MODE SELECTOR	CHEVY GMC 88-94	(1)	\$24.95
39-2599	(4)	VENT OUTLET-RH-CHROME	CHEVY GMC 88-94	(1)	\$14.95	39-2621	(12)	AIR DOOR ACTUATOR - HEATER BLEND DOOR	CHEVY GMC 88-94	(1)	\$34.45
39-2555		VENT OUTLET-RH-BLACK	CHEVY GMC 88-94	(1)	\$6.95	39-2601	(13)	AIR DOOR ACTUATOR - AIR INLET	CHEVY GMC 91-94	(1)	\$34.45
29-0370	(5)	SCREW	CHEVY GMC 88-94	(3)	\$1.45	31-1372	(14)	RETAINER	CHEVY GMC 88-94	(4)	\$9.95
31-0904	(6)	NUT	CHEVY GMC 88-94	(3)	\$.95						

Glove Box Components

1988-94 Chevy & GMC Truck



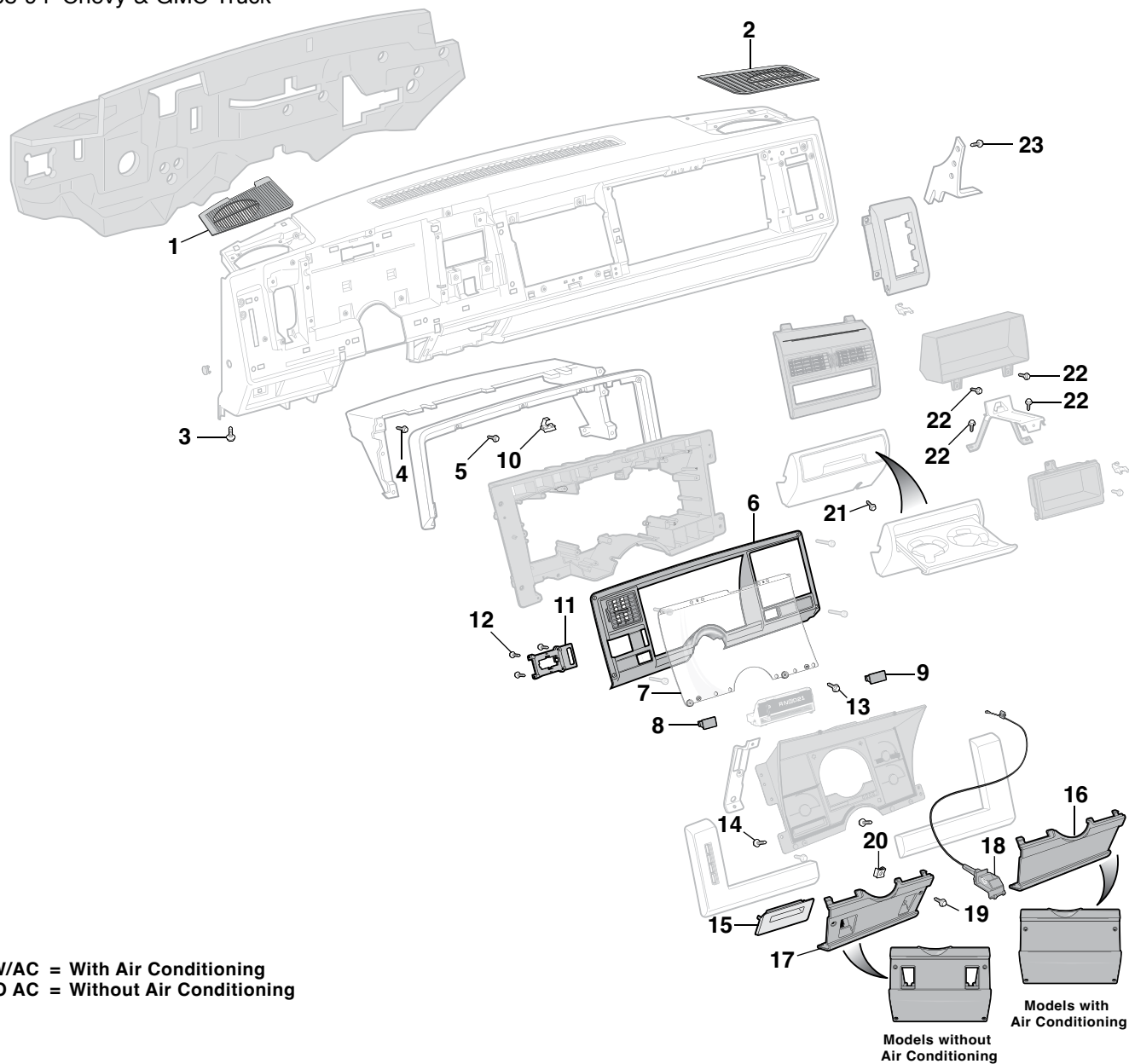
PART	ILL#	DESCRIPTION	APPLICATION	REQD	PRICE
30-0454	(1)	SCREW	CHEVY GMC 88-94	(4)	\$.95
30-0365	(2)	U-NUT	CHEVY GMC 88-94	(4)	\$1.45
38-5227	(3)	GLOVE BOX DOOR ASSEMBLY "A"	CHEVY GMC 88-94	(1)	\$39.95
38-5228	(4)	GLOVE BOX DOOR-INNER "B"	CHEVY GMC 88-92	(1)	\$19.95
30-1863	(5)	GLOVE BOX STOP CABLE	CHEVY GMC 88-94	(2)	\$7.45
38-5232	(6)	HINGE	CHEVY GMC 88-94	(1)	\$1.95
30-0572	(7)	SCREW	CHEVY GMC 88-94	(2)	\$.85
30-0572	(8)	SCREW	CHEVY GMC 88-94	(2)	\$.85
30-0572	(9)	SCREW	CHEVY GMC 88-94	(2)	\$.85

#38-5227 Glove Box Door Assembly is an updated design that pivots on the outer door and can be used on all 1988-94 models.

Note: "A" Glove box pivots on outer door. Paint to match.
"B" Glove box pivots on inner door.

Dashboard Components

1988-94 Chevy & GMC Truck



W/AC = With Air Conditioning
W/O AC = Without Air Conditioning

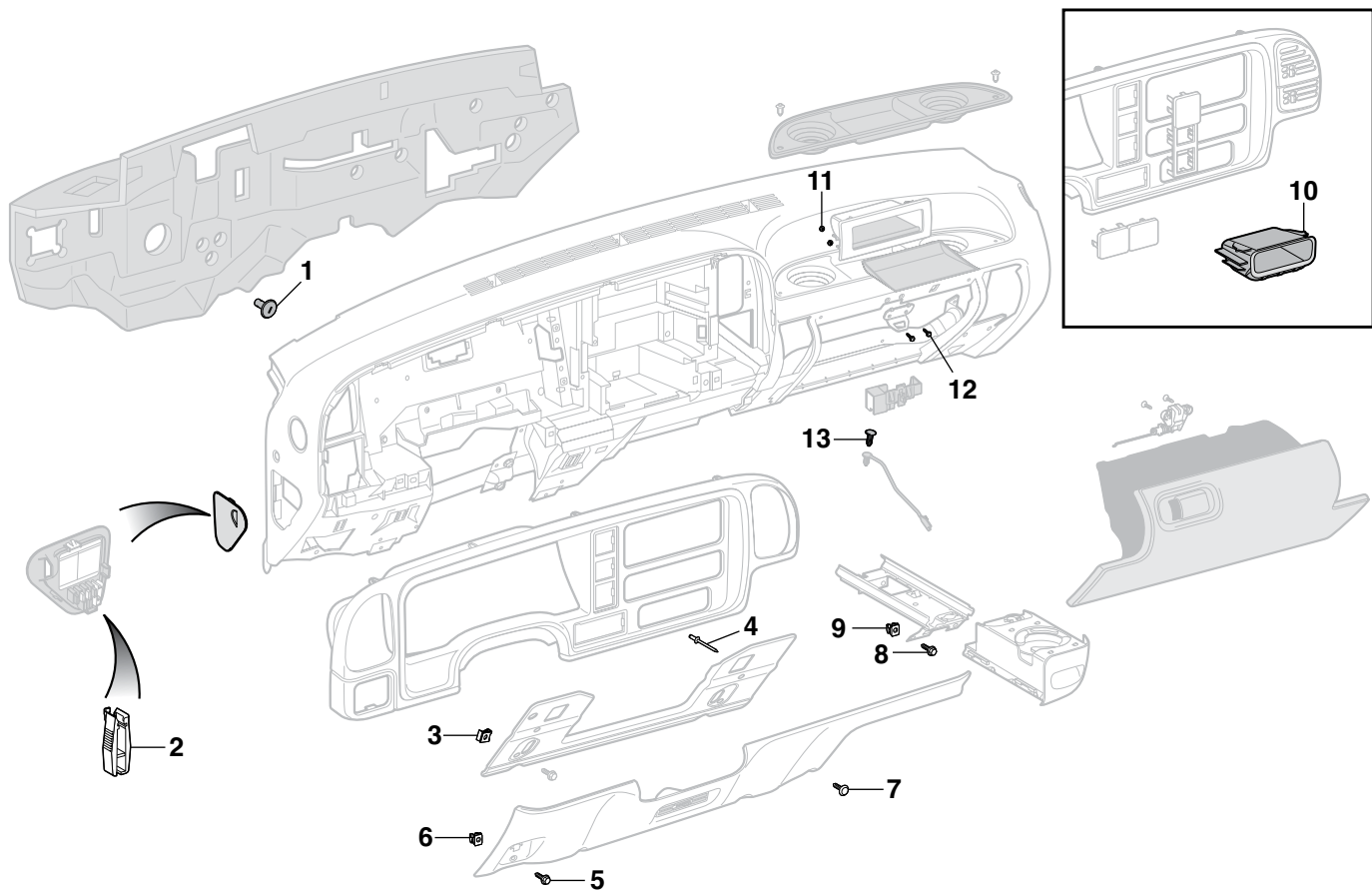
PART	ILL#	DESCRIPTION	APPLICATION	REQD	PRICE
39-8034	(1)	GRILLE-DASH SPEAKER-LH	"A" CHEVY GMC 88-94	(1)	\$24.95
39-8035	(2)	GRILLE-DASH SPEAKER-RH	"A" CHEVY GMC 88-94	(1)	\$24.95
31-0520	(3)	BOLT	CHEVY GMC 88-94	(AR)	\$1.95
30-0454	(4)	SCREW	CHEVY GMC 88-94	(AR)	\$.95
30-0454	(5)	SCREW	CHEVY GMC 88-89	(AR)	\$.95
39-8014	(6)	INSTRUMENT BEZEL W/AC	CHEVY GMC 88-90	(1)	\$104.95
39-8014		INSTRUMENT BEZEL	CHEVY GMC 91-94	(1)	\$104.95
39-7999	(7)	LENS-INSTRUMENT CLUSTER	"B" CHEVY GMC 88-91	(1)	\$39.95
39-8006		LENS-INSTRUMENT CLUSTER	"C" CHEVY GMC 92-94	(1)	\$29.95
39-8042	(8)	SWITCH COVER-W/O CARGO LAMP	CHEVY GMC 88-94	(1)	\$4.95
39-8043	(9)	SWITCH COVER-W/O REAR DEFOG	CHEVY GMC 88-94	(1)	\$4.95
31-1378	(10)	RETAINER	CHEVY GMC 88-94	(2)	\$9.95

Note: "A" Does not include fabric cover. May be painted to match the color of your interior.
 "B" Fits models with Rally Gauges. Production code Z53.
 "C" Fits models with tach, without Sports Package.
 "D" Color will vary; may be painted to match the color of your interior.

PART	ILL#	DESCRIPTION	APPLICATION	REQD	PRICE
39-8270	(11)	SWITCH PLATE	"D" CHEVY GMC 88-94	(1)	\$7.95
31-0552	(12)	SCREW	CHEVY GMC 88-94	(4)	\$.65
30-0454	(13)	SCREW	CHEVY GMC 88-89	(AR)	\$.95
30-0454	(14)	SCREW	CHEVY GMC 88-94	(20)	\$.95
39-8019	(15)	FUSE BOX COVER	"D" CHEVY GMC 88-94	(1)	\$9.95
39-8063	(16)	STEERING COLUMN FILLER W/AC	CHEVY GMC 88-94	(1)	\$34.95
39-8062	(17)	STEERING COLUMN FILLER W/O AC	"D" CHEVY GMC 88-94	(1)	\$9.95
39-2626	(18)	VENT CABLE-LH	CHEVY GMC 88-94	(1)	\$9.95
39-2627		VENT CABLE-RH	W/O AC CHEVY GMC 88-94	(1)	\$9.95
31-0511	(19)	SCREW	CHEVY GMC 88-94	(AR)	\$.85
30-0365	(20)	U-NUT	CHEVY GMC 88-94	(AR)	\$1.45
30-0454	(21)	SCREW	CHEVY GMC 88-89	(AR)	\$.95
30-0454	(22)	SCREW	CHEVY GMC 88-94	(AR)	\$.95
30-0454	(23)	SCREW	CHEVY GMC 88-94	(20)	\$.95

Dashboard Components

1995-98 Chevy & GMC Truck



PART	ILL#	DESCRIPTION	APPLICATION	REQD	PRICE	PART	ILL#	DESCRIPTION	APPLICATION	REQD	PRICE
31-1386	(1)	RETAINER-INSULATOR	CHEVY GMC 95-96	(6)	\$4.95	30-0594	(8)	SCREW	CHEVY GMC 95-98	(1)	\$1.25
39-0180	(2)	FUSE PULLER	CHEVY GMC 95-98	(1)	\$6.75	31-0805	(9)	NUT	CHEVY GMC 95-98	(1)	\$.95
40-0871-C	(3)	NUT	CHEVY GMC 95-96	(4)	\$1.25	39-8267	(10)	COMPARTMENT	CHEVY GMC 95-98	(1)	\$9.95
31-0805		NUT	CHEVY GMC 97-98	(4)	\$.95	31-0876	(11)	NUT	CHEVY GMC 97-98	(4)	\$.65
31-0754	(4)	RIVET	CHEVY GMC 95-98	(2)	\$1.25	30-0599	(12)	SCREW	CHEVY GMC 95-96	(2)	\$1.95
29-0370	(5)	SCREW	CHEVY GMC 95-98	(4)	\$1.45	30-0418		SCREW	CHEVY GMC 97-98	(2)	\$1.45
31-0805	(6)	NUT	CHEVY GMC 95-98	(4)	\$.95	30-1865	(13)	RETAINER	CHEVY GMC 95-98	(1)	\$.65
30-1865	(7)	RETAINER	CHEVY GMC 95-96	(1)	\$.65						



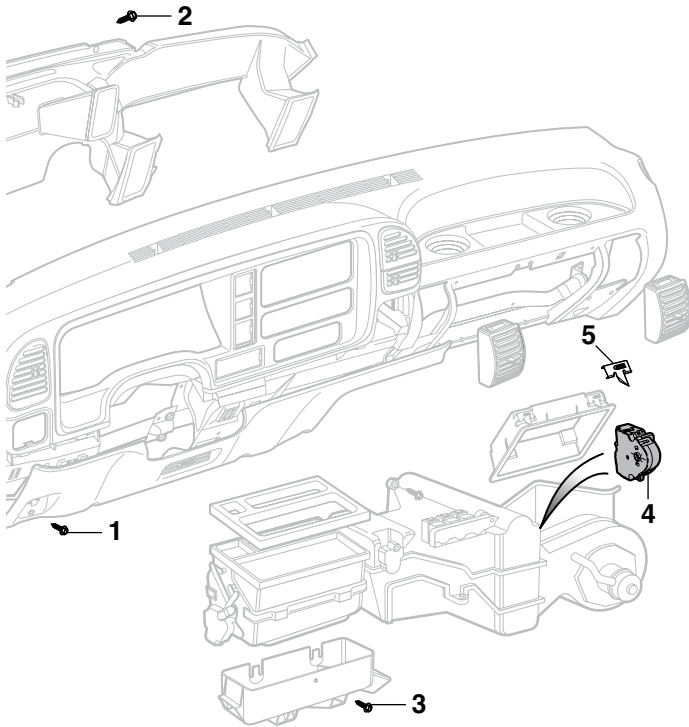
**YOUR TRUCK
YOUR STORY**

**SHARE YOUR
TRUCK
JOURNEY®**

Imtrucklife.com

Air Vent Outlet Components

1995-98 Chevy & GMC Truck



PART	ILL#	DESCRIPTION	APPLICATION	REQD	PRICE
29-0370	(1)	SCREW	CHEVY GMC 95-98	(7)	\$1.45
29-0370	(2)	SCREW-AIR DISTRIB DUCT	CHEVY GMC 95-98	(7)	\$1.45
30-0454	(3)	SCREW-FLOOR AIR OUTLET	CHEVY GMC 95-98	(1)	\$.95
39-2603	(4)	AIR DOOR ACTUATOR-AIR INLET	CHEVY GMC 95-98	(1)	\$35.95
31-1372	(5)	RETAINER	CHEVY GMC 95-98	(4)	\$9.95

4 Speed Shifter Repair Kit

1988-91 Chevy & GMC Truck



PART	DESCRIPTION	APPLICATION	REQD	PRICE
34-0835	SHIFTER REPAIR KIT-NP435 "A"	CHEVY GMC 88-91	(1)	\$14.95

Note: "A" Shift boot not required for all applications.

Temperature Control Assembly

1996-98 Chevy & GMC Truck



PART	DESCRIPTION	APPLICATION	REQD	PRICE
33-0612	TEMP CONTROL ASSEMBLY	CHEVY GMC 96-98	(1)	\$139.95

Models with Air Conditioning

Ignition Lock Cylinders

1988-98 Chevy & GMC Truck



AT = Automatic Transmission
MT = Manual Transmission

PART	ILL#	DESCRIPTION	APPLICATION	REQD	PRICE
36-0652	(1)	LOCK CYLINDER-CHROME W/KEYS	CHEVY GMC 88-92	(1)	\$12.95
29-8162	(2)	LOCK CYLINDER-BLACK W/KEYS	CHEVY GMC 88-92	(1)	\$18.95
36-0652		LOCK CYLINDER-CHROME W/O TILT W/KEYS	CHEVY GMC 93-94	(1)	\$12.95
29-8162		LOCK CYLINDER-BLACK W/O TILT W/KEYS	CHEVY GMC 93-94	(1)	\$18.95
37-0765	(3)	LOCK CYLINDER-BLACK W/TILT W/KEYS	CHEVY GMC 93-94	(1)	\$19.45
37-0766	(4)	LOCK CYLINDER-BLK MT W/KEYS	CHEVY GMC 95-97	(1)	\$16.95
37-0767	(5)	LOCK CYLINDER-BLK AT W/KEYS	CHEVY GMC 95-97	(1)	\$19.95
37-0769		LOCK CYLINDER-BLK AT W/KEYS	CHEVY GMC 98	(1)	\$26.55
37-0768	(6)	LOCK CYLINDER-BLK MT "A"	CHEVY GMC 98	(1)	\$24.95

Note: "A" Lock cylinder is uncoded; a locksmith can "code" the cylinder for use with your existing key. Keys are not included.

Floor Console Latch

1995-98 Chevy & GMC Truck



38-5243

PART	DESCRIPTION	APPLICATION	REQD	PRICE
38-5243	FLOOR CONSOLE LATCH	CHEVY GMC 95-98	(1)	\$25.95

A-Pillar Gauge Pods

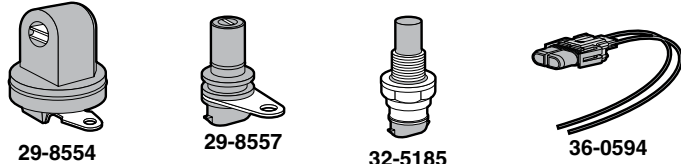


Gauge Pillar Pods and Full Pillars offer a unique mounting solution for 2-1/16" gauges. Each pod is custom molded for an exact fit using black ABS plastic and mounts directly to the A-pillar without cutting. Pillar Pods can be painted to match interior. Gauges sold separately.

PART	DESCRIPTION	APPLICATION	REQD	PRICE
37-8230	GAUGE POD - DUAL	CHEVY GMC 88-94	(1)	\$55.95
37-8231	GAUGE POD - DUAL	CHEVY GMC 95-98	(1)	\$49.95
37-8232	FULL PILLAR GAUGE POD - DUAL	CHEVY GMC 88-94	(1)	\$109.95
37-8233	FULL PILLAR GAUGE POD - DUAL	CHEVY GMC 95-98	(1)	\$107.95
37-8240	FULL PILLAR GAUGE POD - TRIPLE	CHEVY GMC 88-94	(1)	\$39.95
37-8241	FULL PILLAR GAUGE POD - TRIPLE	CHEVY GMC 95-98	(1)	\$114.95

Vehicle Speed Sensors

1988-98 Chevy & GMC Truck



PART	DESCRIPTION	APPLICATION	REQD	PRICE
Located on Manual Transmission				
29-8554	VEHICLE SPEED SENSOR "A"	PO M08 2WD	88-92 (1)	\$29.95
29-8554	VEHICLE SPEED SENSOR "A"	PO M08 2WD	88-89 (1)	\$29.95
29-8557	VEHICLE SPEED SENSOR "B"	PO M05 2WD	89-98 (1)	\$34.45
32-5185	VEHICLE SPEED SENSOR	PO M20 2WD	88-91 (1)	\$54.95
29-8557	VEHICLE SPEED SENSOR	PO MT8 2WD	88-94 (1)	\$34.45
29-8557	VEHICLE SPEED SENSOR	PO MW3 2WD	95-98 (1)	\$34.45
29-8557	VEHICLE SPEED SENSOR	PO M50 2WD	96-98 (1)	\$34.45

For proper identification, production option codes are listed for transmission mounted Vehicle Speed Sensors.

Transmission codes are located on identification tag mounted to transmission case.

PO = Production Option

PART	DESCRIPTION	APPLICATION	REQD	PRICE
Located on Automatic Transmission				
29-8554	VEHICLE SPEED SENSOR	PO M08 2WD	88-92 (1)	\$29.95
29-8554	VEHICLE SPEED SENSOR	PO M30 2WD	93-95 (1)	\$29.95
Located on Transfer Case				
29-8555	VEHICLE SPEED SENSOR "C"	4WD	88-98 (1)	\$39.95
Connector - Vehicle Speed Sensors				
36-0594	CONNECTOR-SPEED SENSOR FITS SPEED SENSORS	CHEVY GMC 88-98	(1)	\$3.95

Note: "A" Models with transmission code 9CCU.
 "B" Models with transmission code 0CCU.
 "C" Models without production option NP8.

Truck Gauges ... A Functional New Look

2-1/16" Electric Short Sweep



Truck Gauges are available with an Ultra White Face with Chrome Bezel or Black Face with Black Bezel and include a white bulb, wired bulb socket, green and orange light filters, mounting bracket, mounting hardware and installation instructions.

- Oil Pressure Gauge reads 0-100 psi and comes with 1/8" NPT electric sender and 1/4" NPT brass adaptor.
- Water Temperature Gauge reads 100-250°F and comes with 1/8" NPT electric sender, 3/8" and 1/2" NPT brass adaptors.
- Voltmeter Gauge reads 8-18 Volts.

PART	DESCRIPTION	APPLICATION	PRICE
37-8280	OIL PRESSURE GAUGE	WHITE 0-100 PSI	\$27.95
37-8284	OIL PRESSURE GAUGE	BLACK 0-100 PSI	\$30.95
37-8281	WATER TEMPERATURE GAUGE	WHITE 100-250 DEGREES F	\$31.95
37-8285	WATER TEMPERATURE GAUGE	BLACK 100-250 DEGREES F	\$29.95
37-8282	VOLTMETER GAUGE	WHITE 8-18 VOLTS	\$21.95
37-8286	VOLTMETER GAUGE	BLACK 8-18 VOLTS	\$14.95

Gauge Panels



These Steel Chrome and Black Gauge Panels make mounting your gauges quick and easy; includes attaching hardware. Gauges sold separately above.

PART	DESCRIPTION	APPLICATION	PRICE
38-8274	CHROME 2 GAUGE PANEL	FOR 2-1/16" GAUGES	\$11.95
38-8275	CHROME 3 GAUGE PANEL	FOR 2-1/16" GAUGES	\$9.95
38-8276	BLACK 1 GAUGE PANEL	FOR 2-1/16" GAUGE	\$7.95
38-8277	BLACK 2 GAUGE PANEL	FOR 2-1/16" GAUGES	\$14.95
38-8278	BLACK 3 GAUGE PANEL	FOR 2-1/16" GAUGES	\$19.95



InVision Digital Dash Kit

1995-98 Chevy & GMC Truck



The InVision direct fit LCD Digital Dash Kit comes with four user screens and is a one model solution for your entire dash. Monitor the speedometer, tachometer, fuel level, oil pressure, water temperature, and volts all in a high resolution and colorful display. Upgrade your dash with the latest, modern LCD offering from AutoMeter.

Features:

- 12.3" LCD display with four user programmable screens.
- Integrated notifications for high beams and turn signals as well as instrument warnings and a user selectable warning light.
- Includes universal wiring harness and sending units for water temperature and oil pressure as well as a joystick for dash customization.
- Helps identify critical conditions with visual or audible alarms - low fuel level/oil pressure/voltage and high water temperature.
- Adjustable RPM range and displays in imperial or metric measurements.
- Speedometer easily calibrates to OEM or aftermarket vehicle speed sensors and the tachometer is capable of calibrating to many engine types.
- User-selectable fuel level resistance ranges designed for OEM and aftermarket sending units.
- 3/8" NPT and 1/2" NPT adapter fittings and brackets included.



PART	DESCRIPTION	APPLICATION	REQD	PRICE
37-8899	INVISION LCD DIGITAL DASH KIT	CHEVY GMC 95-98	(1)	\$1061.95

Gift Cards Now Available

Call (800) 562-8782

Available in \$25 - \$50 - \$100

- Gift Cards are the perfect gift to ensure you are giving exactly what they want!
- Gift Cards don't expire.
- Orders must be pre-paid. Orders received before 3:00 p.m. Central Time will ship same day.
- Gift Cards can now be redeemed through the mail or by phone.



AutoMeter GPS Module

AutoMeter GPS Module makes an electronic speedometer easier to connect while keeping all your connections in the cab, out of the elements. AutoMeter's GPS Speedometer Interface is the no-fuss solution to complete your speedometer installation. Features plug and play installation with AutoMeter LCD Gauge Clusters and features lightning quick 10 Hz signal update rate.



PART	DESCRIPTION	REQD	PRICE
37-8895	AUTOMETER GPS MODULE	(1)	\$269.95

New Vintage USA Gauge Clusters



Period-styled and themed gauges for your truck. New Vintage USA gauge clusters easily interface with original engines as well as high-tech late-model engines, ignition systems, PCMs and speed sensors including GPS. High-tech mini-OLED displays give additional information with easy to read menus, set-up and programming features. Gauges have built-in performance timers, speed warnings and shift alert. Accepts additional auxiliary inputs without requiring separate modules. All parts are direct fit designs that fit the stock gauge mounting locations without any cutting or modification required. Made in Detroit, Michigan and backed by a 5-year warranty.

Each gauge cluster contains:

- Programmable speedometer (0-140 mph) with trip meter, hour meter and standard odometer.
- Tachometer (0-8,000 rpm for gas and 0-4,000 rpm for diesel), fuel, oil pressure, coolant temperature and voltmeter gauges.
- Sending units for oil pressure and coolant temperature.
- LED indicators for turn signals, check engine, high beam and a warning lamp. Glow plug indicator included on diesel tachometers.
- Easy-to-follow, detailed installation instructions are included.

1988-94 Chevy/GMC Gas



38-8184

PART	DESCRIPTION	APPLICATION	REQD	PRICE
38-8184	GAUGE CLUSTER-WHITE GAS	CHEVY GMC 88-94	(1)	\$799.99
38-8185	GAUGE CLUSTER-BLACK GAS	CHEVY GMC 88-94	(1)	\$799.99

1995-98 Chevy/GMC Gas



38-8212

PART	DESCRIPTION	APPLICATION	REQD	PRICE
38-8212	GAUGE CLUSTER-WHITE GAS	CHEVY GMC 95-98	(1)	\$829.99
38-8213	GAUGE CLUSTER-BLACK GAS	CHEVY GMC 95-98	(1)	\$829.99

1988-94 Chevy/GMC Diesel



38-8209

PART	DESCRIPTION	APPLICATION	REQD	PRICE
38-8208	GAUGE CLUSTER-WHITE DIESEL	CHEVY GMC 88-94	(1)	\$799.99
38-8209	GAUGE CLUSTER-BLACK DIESEL	CHEVY GMC 88-94	(1)	\$799.99

1995-98 Chevy/GMC Diesel



38-8215

PART	DESCRIPTION	APPLICATION	REQD	PRICE
38-8214	GAUGE CLUSTER-WHITE DIESEL	CHEVY GMC 95-98	(1)	\$829.99
38-8215	GAUGE CLUSTER-BLACK DIESEL	CHEVY GMC 95-98	(1)	\$829.99

GPS Speed Sending Unit



Make speedometer calibration a thing of the past, with the GPS Speedometer Sending Unit for your New Vintage USA Gauge Cluster. No longer will you have to recalibrate your speedometer after tire or differential gearing changes, as the GPS signal updates quickly and provides a precise reading for your speedometer to display. Can be mounted under your dash.

PART	DESCRIPTION	REQD	PRICE
38-8188	GPS SPEEDOMETER SENDING UNIT	(1)	\$154.99

GPS Speed/Compass Sender



Dakota Digital GPS Speed/Compass Sender is a simple connection to the gauge cluster that adds accurate speed information, compass heading, altimeter data, and automatic clock syncing, all with fully automatic calibration! No DIP switches, no guessing, no inaccuracies, period.

PART	DESCRIPTION	REQD	PRICE
37-8891	GPS SPEED/COMPASS SENDER	(1)	\$213.70

Electronic Fan Controller



37-8892



37-8898

Dakota Digital Electronic Fan Controller has a fully programmable "fan on" and "fan off" temperature (selection range is 150°F - 250°F) to suit any setup. Works with a dedicated temperature sending unit or operates from a sending unit already installed. LED temperature display for simple programming. Key-off run time adjustable from 0-5 minutes. Compatible with single, dual or single two-speed fan applications. 70A relay included, a second relay will be required for dual fan or two speed fan operation, sold separately.

PART	DESCRIPTION	APPLICATION	REQD	PRICE
37-8892	ELECTRONIC FAN CONTROLLER		(1)	\$148.15
37-8898	RELAY W/SOCKET	30 AMP	(1)	\$11.35

Dakota Digital HDX Gauge Clusters



HDX Gauge Clusters add a modern look to your classic truck with a choice of black or silver alloy gauge-face styling. The built-in, capacitive-touch buttons let you easily change calibration and personal settings. Each needle hub is black nickel plated spun-aluminum to match the face-mounted buttons.

The digital message center can be configured to display just about any piece of information needed. Over 30 user-selectable LED color options are available with 12 factory preset color themes. Fully lit color needles, back-lighted color faces and a full color message center are dimmable for driving at night. Each analog gauge sweep (except speedometer) contains a red LED indicator for quick indication of a warning condition. Gauge clusters can also be completely configured through Bluetooth with Dakota Digital's Android and Apple free mobile app.

Includes water temp, oil pressure, and speed sensors. Existing fuel sending unit can be used. Detailed installation instructions and operation manual included. Optional expansion accessories add functionality and allow additional gauge readings to be displayed.

Over 30 Different LED Color Options to Choose From



37-8881

PART	DESCRIPTION	APPLICATION	REQD	PRICE
37-8881	GAUGE CLUSTER-HDX-BLACK	CHEVY GMC 88-94	(1)	\$1420.25



37-8882

PART	DESCRIPTION	APPLICATION	REQD	PRICE
37-8882	GAUGE CLUSTER-HDX-SILVER	CHEVY GMC 88-94	(1)	\$1420.25

OBD-II/CAN Interface



Dakota Digital OBD-II/CAN Interface allows you to plug directly into the engine diagnostic port (on equipped models), extracting engine and transmission data from the vehicle's computer. The interface will collect and output the following information to Dakota Digital RTX and HDX gauge clusters: vehicle speed, engine speed, engine temp, check engine indicator, intake air temp, transmission temp, ambient temp, gear position and oil pressure. Available data varies by models.



PART	DESCRIPTION	REQD	PRICE
37-8893	OBD-II/CAN INTERFACE	(1)	\$113.95

Gear Position Sensors



Dakota Digital Gear Position Sensor allows RTX and HDX gauge clusters to display the gear position in the message center on trucks with automatic transmissions. Features built-in outputs for reverse lights and neutral safety switch. Fits all transmissions with included mounting brackets. Easy setup and calibration.



PART	DESCRIPTION	APPLICATION	REQD	PRICE
37-8890	GEAR POSITION SENSOR W/AUTOMATIC TRANSMISSION		(1)	\$123.45

Clear Dome Light Lens ... For a Brighter Light and a Cleaner Look

Models with Reading Lights



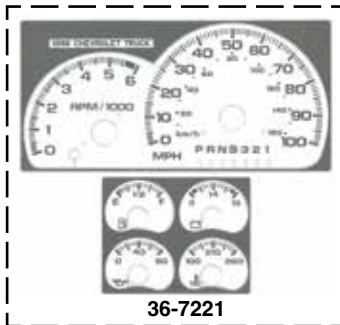
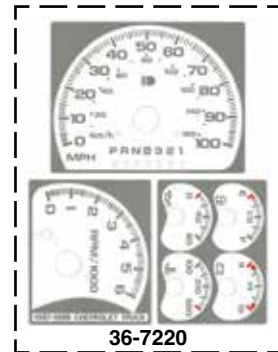
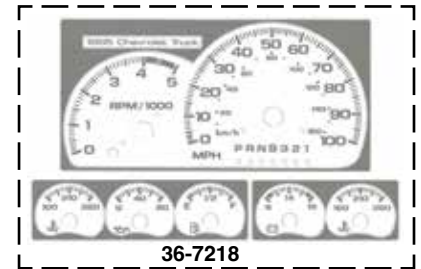
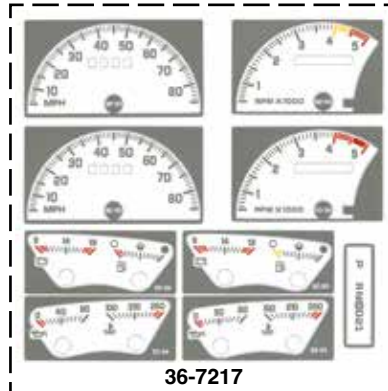
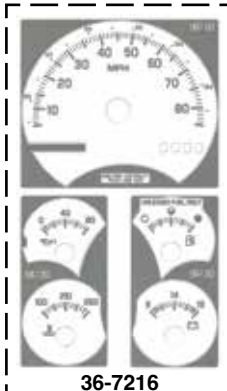
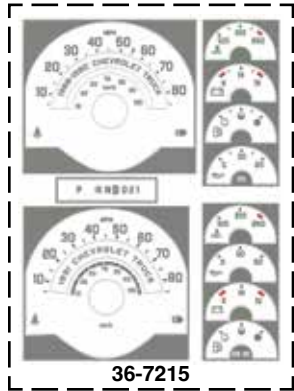
Made to original equipment specifications, this clear-diffused dome light lens replaces your original opaque dome light lens. Fits original dome light housing; no modification is required for installation.

Combine with an LED dome light bulb for a dramatic change to the interior lighting at night.

PART	DESCRIPTION	APPLICATION	REQD	PRICE
37-4319	DOMI LIGHT LENS	CLEAR 88-98	(1)	\$2.95
36-0205	LED BULB-DOME LIGHT	CLEAR 88-98	(1)	\$5.95
47-0205-C	LED BULB-READING	CLEAR 88-98	(2)	\$6.95

For More Information on LED Bulbs - See Page 146

White Face Gauge Overlays



For Automatic Transmission models only.

No worries of broken needles or need for recalibrating gauges. Overlays will not wrinkle or bubble in hot or cold temperatures and can be removed with direct heat. Installation instructions included.

PART	DESCRIPTION	APPLICATION	REQD	PRICE
36-7215	WHITE GAUGE OVERLAY SET "A"	CHEVY GMC 88-91	(1)	\$27.45
36-7216	WHITE GAUGE OVERLAY SET "B"	CHEVY GMC 92-94	(1)	\$27.45
36-7217	WHITE GAUGE OVERLAY SET "C"	CHEVY GMC 92-94	(1)	\$27.45
36-7218	WHITE GAUGE OVERLAY SET-GAS	CHEVY GMC 95	(1)	\$27.45
36-7219	WHITE GAUGE OVERLAY SET-GAS	CHEVY GMC 96	(1)	\$27.45
36-7220	WHITE GAUGE OVERLAY SET-GAS	CHEVY GMC 97-98	(1)	\$27.45
36-7221	WHITE GAUGE OVERLAY SET-DIESEL	CHEVY GMC 95-98	(1)	\$27.45

Note: "A" For models with gauges.
 "B" For models without tachometer.
 "C" For models with 5,000 rpm tachometer and 80 lb. oil pressure gauge.

Replacement Radio Button and Knob Kits

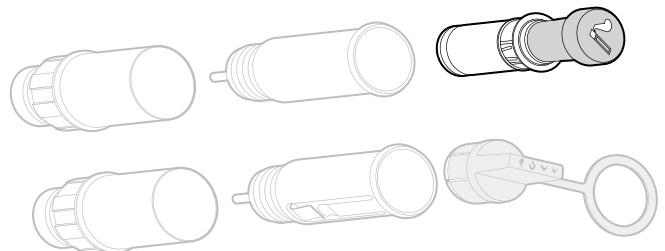


PART	DESCRIPTION	APPLICATION	REQD	PRICE
37-4735	BUTTON KIT-RADIO 21PC	"A" CHEVY GMC 95-98	(1)	\$34.95
37-4737	KNOB KIT-RADIO 6PC	"A" CHEVY GMC 95-98	(1)	\$17.95

Note: "A" Fits models with factory radio/CD player.

Lighter

1988-94 Chevy & GMC Truck



PART	DESCRIPTION	APPLICATION	REQD	PRICE
38-5012	LIGHTER	CHEVY GMC 88-94	(1)	\$9.95

Santa Cruz AM/FM Stereo

Retrosound's Santa Cruz Stereo is a direct-fit solution that looks like the original radio and installs in the factory position, but offers modern high-tech features including iPod and iPhone interface, built-in Bluetooth connectivity, dual USB ports and two auxiliary inputs for portable devices. Santa Cruz features 30 AM/FM station presets and a 32,000 color display, allowing it to be customized to match your interior. Includes built-in 25 watts x 4 channel RMS power amplifier with dual RCA pre-outs plus subwoofer output for adding external amplifiers. Santa Cruz radio is Sirius-XM ready (a Sirius-XM connect tuner and subscription are required).



38-8504
 Santa Cruz AM/FM Stereo
 1988-94
 \$394.99

NEW Quad 4 Amplifier



1-Year Warranty

Efficient and powerful low distortion Class D Quad 4 Amplifier pushes 45 continuous watts into four channels for a total of 180 watts of pure listening enjoyment. Features ultra-low current draw, less than .2% total harmonic distortion, frequency response of 10Hz-40kHz and 100Hz high-pass crossover frequency. 15 amp fuse included. Compact Size: 7.16" x 2.9" x 1.78"

Quad 4 Amplifier can be plugged directly into any Retro Sound radio for easy system integration or can be used with any aftermarket stereo with the included front and rear RCA connectors and low level inputs.

PART	DESCRIPTION	APPLICATION	PRICE
38-8569	QUAD 4 AMPLIFIER	45 WATT X 4	\$219.99

8" Powered Subwoofer

This 8-inch powered subwoofer is housed in a rigid die-cast aluminum chassis for better heat dissipation and powered by a built-in 100-watt amplifier with 200 watts max output. Has frequency response of 35-100Hz and total harmonic distortion of 0.08%.



38-8527
 \$199.99

1-Year Warranty

Features include a fully adjustable crossover network between 50-100Hz, independent gain (volume) and 0 or 180-degree phase control. Subwoofer can be connected to radio with low level input RCA connectors or wired directly to radio through the high level input using supplied wiring harness. Includes mounting brackets, wiring harness and wired remote bass control. Compact 9" x 2.75" x 13.75" size weighing 9 lbs.

NEW Premium Stereo Speakers
 1988-98 Chevy & GMC Truck



Premium Stereo Speakers provide the absolute best audio quality possible. Features high-power handling with an ultra-thin mounting depth, a Neodymium magnet structure is used with a dip-cut design to prevent distortion. The Santoprene® surrounds provide the most accurate audio reproduction possible, and the silk tweeters produce smooth and more natural-sounding highs.

PART	DESCRIPTION	APPLICATION	REQD	PRICE
39-8033	STEREO SPEAKER SET-4X6	50 WATT CHEVY GMC 88-98	(1)	\$79.99

Full Range Speaker Set

Full Range Speaker Set is the perfect upgrade to add more thump behind the seat. Speaker enclosure is wedge shaped, made from MDF and protected by durable carpet. Enclosures are a mirror image of each other with each box containing one 8" woofer with port and a soft dome tweeter for 175 watts power handling, 60-22,000 Hz frequency response and 4 ohms impedance. Acoustic batting is used to increase sound quality and performance. Chrome spring loaded terminals for easy wire installation. Dimensions: 16-1/4" wide, 13-1/2" high, 7-1/2" deep at bottom, 3-3/4" deep at top.

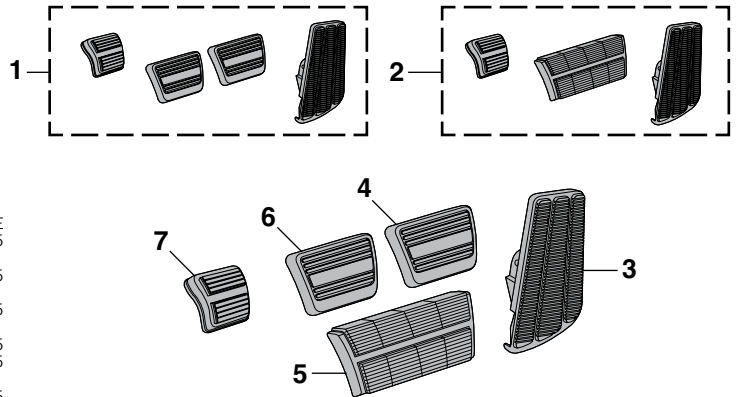


PART	DESCRIPTION	APPLICATION	REQD	PRICE
38-8599	FULL RANGE SPEAKER SET	175 WATT	(1)	\$214.99

Pedal Pad Kits

1988-98 Chevy & GMC Truck

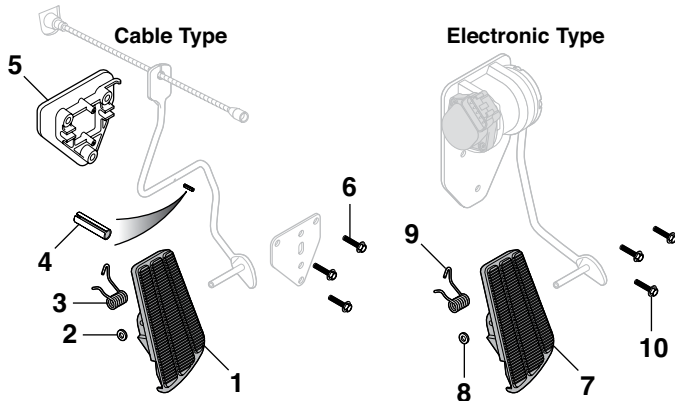
Parking Brake Pedal Pad Identification



PART	ILL#	DESCRIPTION	APPLICATION	REQD	PRICE
31-2210	(1)	PEDAL PAD KIT-4PC	MANUAL CHEVY GMC 88-94	(1)	\$19.95
31-2211	(2)	PEDAL PAD KIT-3PC	AUTO CHEVY GMC 88-94	(1)	\$12.95
30-2223	(3)	ACCELERATOR PEDAL PAD	CHEVY GMC 88-98	(1)	\$4.95
31-2216	(4)	BRAKE PEDAL PAD	MANUAL CHEVY GMC 88-98	(1)	\$5.45
31-2217	(5)	BRAKE PEDAL PAD	AUTO CHEVY GMC 88-98	(1)	\$5.95
31-2216	(6)	CLUTCH PEDAL PAD	CHEVY GMC 88-98	(1)	\$5.45
29-1553	(7)	PARKING BRAKE PEDAL PAD 1ST	CHEVY GMC 88-94	(1)	\$4.45

Accelerator Controls

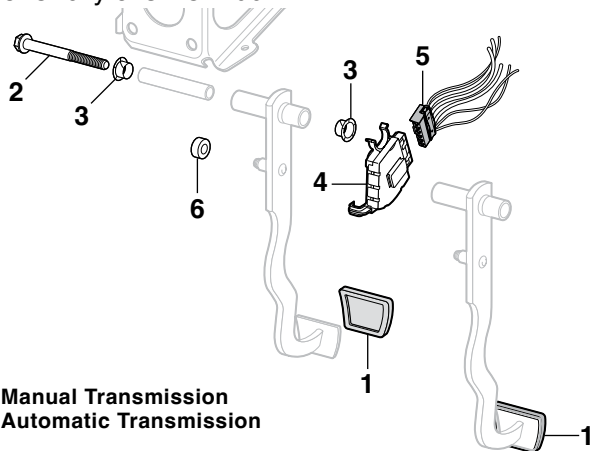
1988-98 Chevy & GMC Truck



PART	ILL#	DESCRIPTION	APPLICATION	REQD	PRICE
30-2223	(1)	ACCELERATOR PEDAL PAD	CHEVY GMC 88-98	(1)	\$4.95
30-0951	(2)	PUSH NUT	CHEVY GMC 88-98	(1)	\$1.25
30-3195	(3)	PEDAL RETURN SPRING	CHEVY GMC 88-98	(1)	\$3.95
30-3185	(4)	PIN-LEVER	CHEVY GMC 88-98	(1)	\$.65
30-3070	(5)	ROD SUPPORT	CHEVY GMC 88-98	(1)	\$10.95
31-0317	(6)	BOLT-RETAINING PLATE	CHEVY GMC 88-98	(3)	\$.95
30-2223	(7)	ACCELERATOR PEDAL PAD	CHEVY GMC 94-98	(1)	\$4.95
30-0951	(8)	PUSH NUT	CHEVY GMC 94-98	(1)	\$1.25
30-3195	(9)	PEDAL RETURN SPRING	CHEVY GMC 94-98	(1)	\$3.95
31-0317	(10)	BOLT	CHEVY GMC 94-98	(3)	\$.95

Brake Pedal Assembly

1988-98 Chevy & GMC Truck

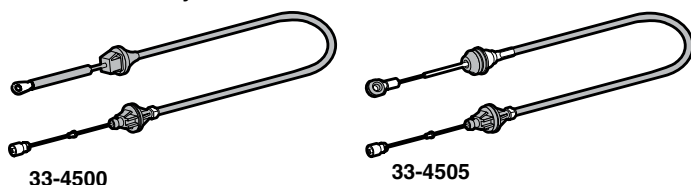


PART	ILL#	DESCRIPTION	APPLICATION	REQD	PRICE
31-2216	(1)	BRAKE PEDAL PAD	MT CHEVY GMC 88-98	(1)	\$5.45
31-2217	(1)	AT BRAKE PEDAL PAD	CHEVY GMC 88-98	(1)	\$5.95
31-0307	(2)	PIVOT BOLT	CHEVY GMC 88-98	(1)	\$5.95
32-6157	(3)	BUSHING	CHEVY GMC 88-98	(2)	\$2.45
37-0648	(4)	STOP LAMP SWITCH	CHEVY GMC 88-93	(1)	\$12.75
37-0649	(4)	STOP LAMP SWITCH	CHEVY GMC 94-98	(1)	\$7.95
37-0427	(5)	CONNECTOR-STOP LAMP SWITCH	CHEVY GMC 94-98	(1)	\$19.45
31-2306	(6)	SPACER-FOAM	CHEVY GMC 88-93	(1)	\$5.95

MT = Manual Transmission
AT = Automatic Transmission

Accelerator Cable

1988-98 Chevy & GMC Truck



PART	DESCRIPTION	APPLICATION	REQD	PRICE
33-4500	ACCELERATOR CABLE 4.3L 5.0L	CHEVY GMC 88-95	(1)	\$16.95
33-4500	ACCELERATOR CABLE 5.7L 7.4L	CHEVY GMC 88-95	(1)	\$16.95
33-4503	ACCELERATOR CABLE 5.0L 5.7L	CHEVY GMC 96-98	(1)	\$19.95
33-4505	ACCELERATOR CABLE "A"	DIESEL CHEVY GMC 88-90	(1)	\$23.95

Note: "A" Cable attaches to slot type bracket.



Look New Again ... The Easy Way!

Now You Can Be Sure All Your Interior Colors Match

ColorBond permanently changes the color of your interior. Sprays on and dries to the touch in 45 seconds, forming a complete bond in 10 minutes. Original grain pattern is never altered or hidden, no matter how many times ColorBond is applied. Will not crack, flake, peel or rub off from solid or flexible materials because the color becomes part of the surface.



Black #37-8375	Blue #37-8382	Burgundy #37-8387	Dark Gray #37-8385
Gray #37-8383	Dark Red #37-8384	Saddle #37-8381	

\$20.95
each

ColorBond can be used on:

- Vinyl
- Leather
- ABS Plastic
- PVC
- Polyurethane
- Polycarbonate
- Lexan
- Acrylic
- Recycled Plastics
- Carpet
- Cloth Upholstery

ColorBond is a semi-gloss finish that is OEM approved, UV stable and colorfast. Each 12 ounce can will cover 7 square feet. ColorBond Prep/Cleaner should be used prior to applying ColorBond.

37-8396 ColorBond Satin Clear Coat provides a protective finish that won't wash off. Protects against fading, cracking and heat deterioration.
12 oz Can \$20.95

37-8395 ColorBond Adhesion Promoter is required for the use of ColorBond on materials such as Polypropylene, Thermoplastic Elastomer, Polyolefin, Fiberglass and metal.
12 oz Can \$20.95

Prep/Cleaner



37-8399 ColorBond Prep/Cleaner is a fast drying, 12 oz Can non-solvent, multi-surface cleaner. It cleans \$13.95 and prepares the surface for use of ColorBond.

Deluxe Bench Seat Console

Securely Fastens to Your Bench Seat

Bench Seat Console features oversized, dual adjustable cup holders, dense foam padded armrest, bottom mount strap for seat belt mounting, large rear storage area with built-in CD/cassette holder and smaller front storage area. Can also be used in the rear seat. *Contents Not Included.*



PART	DESCRIPTION	PRICE
38-0644-GR	GRAY 16.5"L X 8.5"W X 9"H	\$59.95

Exterior Trim Paint



37-8361
Satin Black
\$21.45

37-8362
Silver
\$21.45

ColorBond Exterior Trim Paint has all the innovative features of ColorBond Interior Paint but is specially formulated to provide a stronger, more durable bond for exterior trim use. Exterior Trim Paint delivers a superior finish to exterior trim plastics and painted metal trim including: bumpers, mirrors, fender flares, wiper arms and window trim. Each 12 ounce can covers 6 square feet. Use ColorBond Adhesion Promoter #37-8395 prior to application for a long-lasting finish.

Spitshine Tire Black and Silver Rally Wheel Paint ... Bring Back the Shine



37-8370
\$21.45

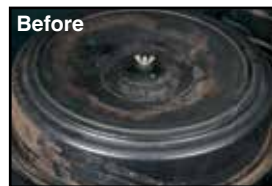
37-8365
\$19.95

ColorBond Spitshine Tire Black is a specially formulated paint, not a clear silicone dressing, designed to restore a military shine to faded and scuffed tires for a minimum of two months. Spitshine is not greasy or tacky, so it won't attract unsightly dirt and dust. Each 12 ounce can is easy to apply; first, clean tires of any existing dressings, silicones and dirt with ColorBond Prep/Cleaner. Mask the wheel or rim and apply in light coats. Reapply Spitshine Tire Black if tires become scuffed.

Not for use on tires with white lettering or sidewalls.

ColorBond Rally Wheel Paint is a specially formulated acrylic lacquer that provides a brilliant silver finish to the original rally wheels and withstands temperatures up to 250°F. Each 12 ounce can covers 6 square feet. ColorBond Prep/Cleaner should be used prior to applying ColorBond.

Black Underhood Paint



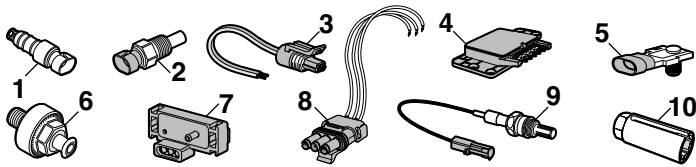
37-8367
Black
\$20.95

Black Underhood Paint's specially formulated acrylic lacquer restores the finish of brackets, core supports, heater boxes and all underhood components. Withstands temperatures up to 250°F but is not designed to be applied to engine, manifolds or headers. 12 ounce can covers 6 square feet. Call or go online and order yours today!

Engine Management - Gas

1988-98 Chevy & GMC Truck

Loctite Anti-Seize
Stick See Page 152



MT = With Manual Transmission
AT = With Automatic Transmission

PART	ILL#	DESCRIPTION	APPLICATION	REQD	PRICE
29-3800	(1)	AIR CHARGE TEMP SENSOR	CHEVY GMC 96-98	(1)	\$12.95
29-3810	(2)	ECU COOLANT TEMP SENSOR	CHEVY GMC 88-98	(1)	\$9.95
36-0736	(3)	CONNECTOR-COOLANT SENSOR	CHEVY GMC 88-98	(1)	\$4.45
29-3817	(4)	ELECT SPARK CONTR	4.3L CHEVY GMC 88-92	(1)	\$105.95
29-3817		ELECT SPARK CONTR "A"	4.3L CHEVY GMC 93-95	(1)	\$105.95
32-3504		ELECT SPARK CONTR	5.7L CHEVY GMC 88-92	(1)	\$99.95
29-3817		ELECT SPARK CONTR "B"	5.7L CHEVY GMC 93-95	(1)	\$105.95
32-3504		ELECT SPARK CONTR "A"	5.7L CHEVY GMC 93-95	(1)	\$99.95
33-3426	(5)	FUEL PRESSURE SENSOR	4.3L 1/2T 97-98	(1)	\$49.95
33-3426		FUEL PRESSURE SENSOR	CHEVY GMC 98	(1)	\$49.95
			5.0L 5.7L 7.4L		
29-3841	(6)	KNOCK SENSOR	4.3L CHEVY GMC 88-91	(1)	\$31.95
29-3841		KNOCK SENSOR "C"	4.3L CHEVY GMC 92-93	(1)	\$31.95
29-3844		KNOCK SENSOR "D"	4.3L CHEVY GMC 92-93	(1)	\$43.95

Note: "A" Fits models with production option NA4.
 "B" Fits models with production option NA1.
 "C" Fits models with production option MD8, MG5 or MT8.
 "D" Fits models with production option MT1 or M30.
 "E" Fits models without production option MT1.
 "F" Fits models with production option MT1.

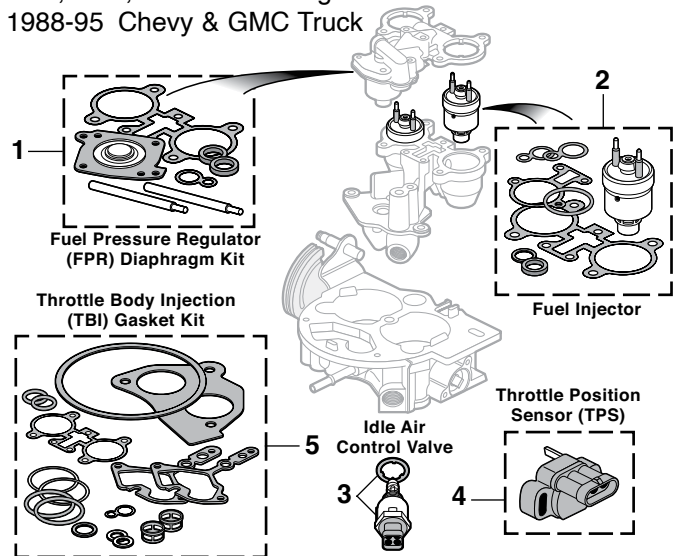
PART	ILL#	DESCRIPTION	APPLICATION	REQD	PRICE
29-3840		KNOCK SENSOR	5.0L CHEVY GMC 88-92	(1)	\$32.95
29-3840		KNOCK SENSOR MT	5.0L CHEVY GMC 93-95	(1)	\$32.95
29-3840		KNOCK SENSOR	5.0L CHEVY GMC 96-98	(1)	\$32.95
29-3841		KNOCK SENSOR	5.7L CHEVY GMC 88-91	(1)	\$31.95
29-3841		KNOCK SENSOR "C"	5.7L CHEVY GMC 92-93	(1)	\$31.95
29-3844		KNOCK SENSOR "D"	5.7L CHEVY GMC 92-93	(1)	\$43.95
29-3841		KNOCK SENSOR MT	5.7L CHEVY GMC 94	(1)	\$31.95
29-3844		KNOCK SENSOR AT	5.7L CHEVY GMC 94-95	(1)	\$43.95
29-3841		KNOCK SENSOR	5.7L CHEVY GMC 96-98	(1)	\$31.95
29-3841		KNOCK SENSOR	7.4L 1/2T 90	(1)	\$31.95
29-3841		KNOCK SENSOR	"E" 7.4L 1/2T 91	(1)	\$31.95
29-3844		KNOCK SENSOR	"F" 7.4L 1/2T 91	(1)	\$43.95
29-3841		KNOCK SENSOR	"C" 7.4L CHEVY GMC 92-93	(1)	\$31.95
29-3844		KNOCK SENSOR	"D" 7.4L CHEVY GMC 92-93	(1)	\$43.95
29-3844		KNOCK SENSOR	7.4L CHEVY GMC 94-95	(1)	\$43.95
29-3860	(7)	MAP SENSOR	CHEVY GMC 88-95	(1)	\$32.95
29-3863	(8)	CONNECTOR-MAP SENSOR	CHEVY GMC 88-95	(1)	\$11.95
29-3870	(9)	OXYGEN SENSOR-1 WIRE	4.3L CHEVY GMC 88-94	(1)	\$19.95
29-3872		OXYGEN SENSOR-3 WIRE	4.3L CHEVY GMC 92-94	(1)	\$59.95
33-3461		OXYGEN SENSOR-FRONT "G"	4.3L 1/2T 96-98	(2)	\$25.95
33-3462		OXYGEN SENSOR-FRONT "H"	4.3L 1/2T 96-98	(1)	\$39.45
33-3462		OXYGEN SENSOR-REAR	4.3L 1/2T 96-98	(1)	\$39.45
29-3870		OXYGEN SENSOR-1 WIRE	5.0L CHEVY GMC 88-95	(1)	\$19.95
29-3872		OXYGEN SENSOR-3 WIRE	5.0L CHEVY GMC 92-94	(1)	\$59.95
33-3461		OXYGEN SENSOR-FRT W/AT	5.0L CHEVY GMC 96-98	(2)	\$25.95
33-3462		OXYGEN SENSOR-REAR	5.0L CHEVY GMC 96-98	(1)	\$39.45
29-3870		OXYGEN SENSOR-1 WIRE	5.7L CHEVY GMC 88-95	(1)	\$19.95
29-3872		OXYGEN SENSOR-3 WIRE	5.7L CHEVY GMC 92-94	(1)	\$59.95
33-3461		OXYGEN SENSOR-FRONT "I"	5.7L CHEVY GMC 96-98	(2)	\$25.95
33-3462		OXYGEN SENSOR-REAR	5.7L CHEVY GMC 96-98	(2)	\$39.45
29-3870		OXYGEN SENSOR	7.4L CHEVY GMC 90-95	(1)	\$19.95
33-3462		OXYGEN SENSOR-REAR	7.4L 3/4T 96-98	(2)	\$39.45
29-3875	(10)	OXYGEN SENSOR SOCKET	3/8" DRIVE	(1)	\$12.95

Note: "G" Mounts in exhaust pipe below exhaust manifold.
 "H" Mounts in exhaust pipe in front of catalytic converter.
 "I" Fits models with production option M30.

Throttle Body Components - Model 220

4.3L, 5.0L, 5.7L & 7.4L Engines

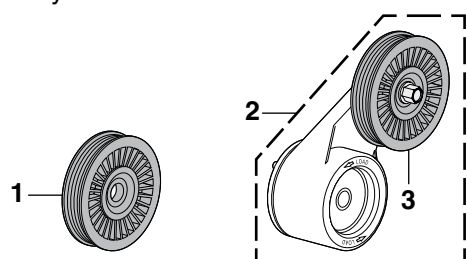
1988-95 Chevy & GMC Truck



PART	ILL#	DESCRIPTION	APPLICATION	REQD	PRICE
29-3902	(1)	FPR DIAPHRAGM KIT	4.3L 5.0L 5.7L 7.4L 88-95	(1)	\$43.95
29-3834	(2)	FUEL INJECTOR	4.3L 88-95	(2)	\$99.95
32-3511		FUEL INJECTOR	5.7L 88-95	(2)	\$129.45
29-3820	(3)	IDLE AIR CONTROL VALVE	4.3L 88-95	(1)	\$34.95
29-3820		IDLE AIR CONTROL VALVE	5.0L 5.7L 88-95	(1)	\$34.95
32-3531		IDLE AIR CONTROL VALVE	7.4L 90-95	(1)	\$49.95
29-3885	(4)	TPS	4.3L 5.0L 5.7L 88-90	(1)	\$40.95
29-3884		TPS	4.3L 5.0L 5.7L 91-95	(1)	\$29.95
29-3884		TPS	7.4L 91-93	(1)	\$29.95
29-3914	(5)	TBI GASKET KIT	4.3L 5.0L 5.7L 88-95	(1)	\$29.95
29-3914		TBI GASKET KIT	7.4L 94-95	(1)	\$29.95

Idler Pulleys and Tensioners

1988-98 Chevy & GMC Truck



PART	ILL#	DESCRIPTION	APPLICATION	REQD	PRICE
32-2201	(1)	IDLER PULLEY "A"	4.3L 5.0L 5.7L 88-95	(1)	\$18.75
32-2202		IDLER PULLEY "B"	4.3L 5.0L 5.7L 88-95	(1)	\$11.95
32-2210		IDLER PULLEY	4.3L 5.0L 5.7L 96-98	(1)	\$12.95
32-2204		IDLER PULLEY "C"	4.3L 5.0L 5.7L 96-98	(1)	\$11.95
32-2203		IDLER PULLEY "A"	7.4L 88-93	(1)	\$19.95
32-2204		IDLER PULLEY "B"	7.4L 88-91	(1)	\$11.95
32-2210		IDLER PULLEY	7.4L 96-98	(1)	\$12.95
32-2204		IDLER PULLEY "C"	7.4L 96-98	(1)	\$11.95
32-2233	(2)	AUTO BELT TENSIONER "A"	4.3L 5.0L 5.7L 88-89	(1)	\$54.95
32-2205	(3)	TENSIONER PULLEY "A"	4.3L 5.0L 5.7L 88-89	(1)	\$29.95
32-2231		AUTO BELT TENSIONER "B"	4.3L 5.0L 5.7L 88-89	(1)	\$59.95
32-2204		TENSIONER PULLEY "B"	4.3L 5.0L 5.7L 88-89	(1)	\$11.95
32-2231		AUTO BELT TENSIONER	4.3L 5.0L 5.7L 90-95	(1)	\$59.95
32-2204		TENSIONER PULLEY	4.3L 5.0L 5.7L 90-95	(1)	\$11.95
32-2210		TENSIONER PULLEY	4.3L 5.0L 5.7L 96-98	(1)	\$12.95
32-2202		TENSIONER PULLEY	6.5L 96-98	(1)	\$11.95
32-2232		AUTO BELT TENSIONER	7.4L 90-93	(1)	\$59.95
32-2207		TENSIONER PULLEY	7.4L 90-93	(1)	\$19.95
32-2210		TENSIONER PULLEY	7.4L 96-98	(1)	\$12.95

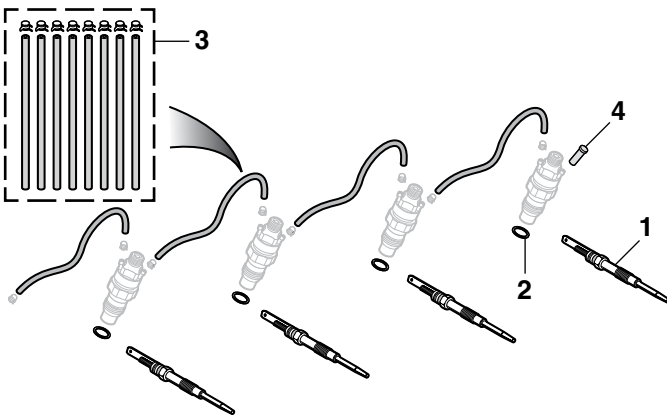
Note: "A" For models without air conditioning.
 "B" For models with air conditioning.
 "C" For models without A.I.R. pump.

Multi-Port Fuel Injection

Components (MPFI)

6.2L and 6.5L Diesel Engine
1988-98 Chevy & GMC Truck

NotchHead Line Clamps
See Page 82

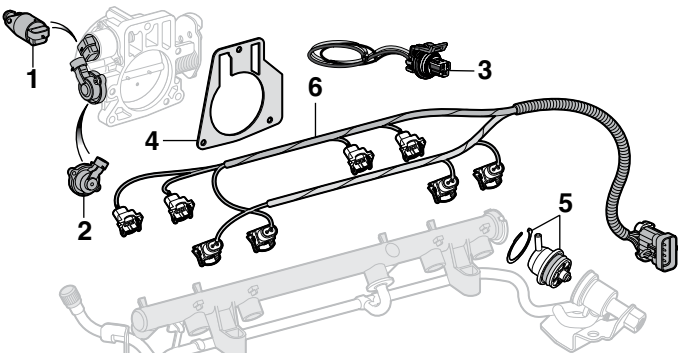


PART	ILL#	DESCRIPTION	APPLICATION	REQD	PRICE
32-3538	(1)	GLOW PLUG	6.2L 6.5L 88-98	(8)	\$6.95
33-3230	(2)	DIESEL INJECTOR SEAL	6.2L 6.5L 88-98	(8)	\$2.95
33-3302	(3)	FUEL RETURN HOSE KIT	6.2L 6.5L 88-98	(1)	\$49.95
33-3301	(4)	CAP-DIESEL INJECTOR	6.2L 6.5L 88-98	(2)	\$2.95

Multi-Port Fuel Injection

Components (MPFI)

7.4L Engine
1996-98 Chevy & GMC Truck



PART	ILL#	DESCRIPTION	APPLICATION	REQD	PRICE
32-3532	(1)	IDLE AIR CONTROL VALVE	7.4L 3/4T 96-98	(1)	\$53.75
32-3549	(2)	THROTTLE POSITION SENSOR	7.4L 3/4T 96-98	(1)	\$29.95
37-0414	(3)	CONNECTOR-TPS SENSOR	7.4L 3/4T 96-98	(1)	\$9.95
33-3226	(4)	THROTTLE BODY GASKET	7.4L 3/4T 96-98	(1)	\$5.45
32-3508	(5)	FUEL PRESSURE REGULATOR	7.4L 3/4T 96-98	(1)	\$74.95
37-3600	(6)	WIRING HARNESS	7.4L 3/4T 96-98	(1)	\$139.95

Engine Management - Diesel

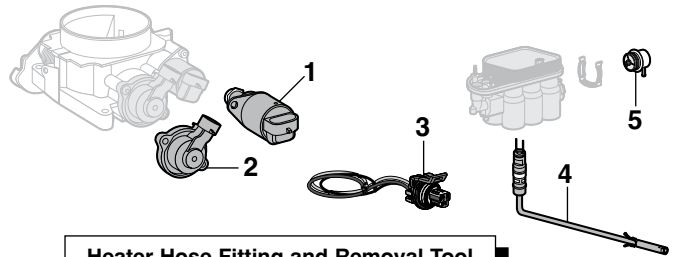
1988-98 Chevy & GMC Truck

PART	ILL#	DESCRIPTION	APPLICATION	REQD	PRICE
29-3800	(1)	AIR CHARGE TEMP SENSOR	6.5LP 94-95	(1)	\$12.95
29-3860	(2)	MAP SENSOR	DIESEL 88-98	(1)	\$32.95
29-3863	(3)	CONNECTOR-MAP SENSOR	DIESEL 88-98	(1)	\$11.95

Central Sequential Fuel Injection

Components (Central SFI) - 6 Cylinder

4.3L Engine
1996-98 Chevy & GMC Truck



Heater Hose Fitting and Removal Tool
See Page 127

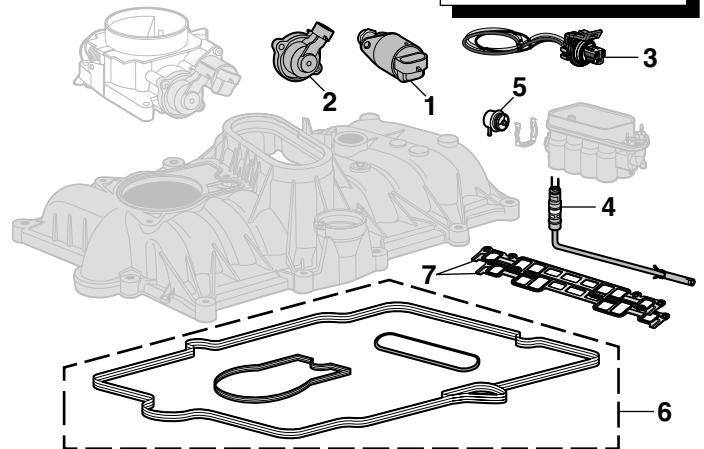
PART	ILL#	DESCRIPTION	APPLICATION	REQD	PRICE
32-3532	(1)	IDLE AIR CONTROL VALVE	4.3L 1/2T 96-98	(1)	\$53.75
32-3549	(2)	THROTTLE POSITION SENSOR	4.3L 1/2T 96-98	(1)	\$29.95
37-0414	(3)	CONNECTOR-TPS SENSOR	4.3L 1/2T 96-98	(1)	\$9.95
32-3514	(4)	FUEL INJECTOR	4.3L 1/2T 96-98	(6)	\$69.95
32-3509	(5)	FUEL PRESSURE REGULATOR	4.3L 1/2T 96-98	(1)	\$65.95

Central Sequential Fuel Injection

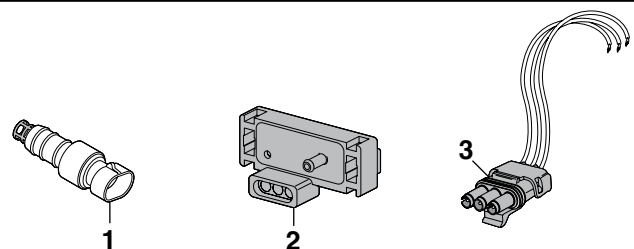
Components (Central SFI) - V8

5.0L and 5.7L Engine
1996-98 Chevy & GMC Truck

Heater Hose Fitting and Removal Tool
See Page 127



PART	ILL#	DESCRIPTION	APPLICATION	REQD	PRICE
32-3532	(1)	IDLE AIR CONTROL VALVE	5.0L 5.7L 96-98	(1)	\$53.75
32-3549	(2)	THROTTLE POSITION SENSOR	5.0L 5.7L 96-98	(1)	\$29.95
37-0414	(3)	CONNECTOR-TPS SENSOR	5.0L 5.7L 96-98	(1)	\$9.95
32-3514	(4)	FUEL INJECTOR	5.0L 5.7L 96-98	(8)	\$69.95
32-3509	(5)	FUEL PRESSURE REGULATOR	5.0L 5.7L 96-98	(1)	\$65.95
33-3221	(6)	PLENUM GASKET SET	5.0L 5.7L 96-98	(1)	\$15.45
33-3222	(7)	INTAKE GASKET SET-LOWER	5.0L 5.7L 96-98	(1)	\$15.45

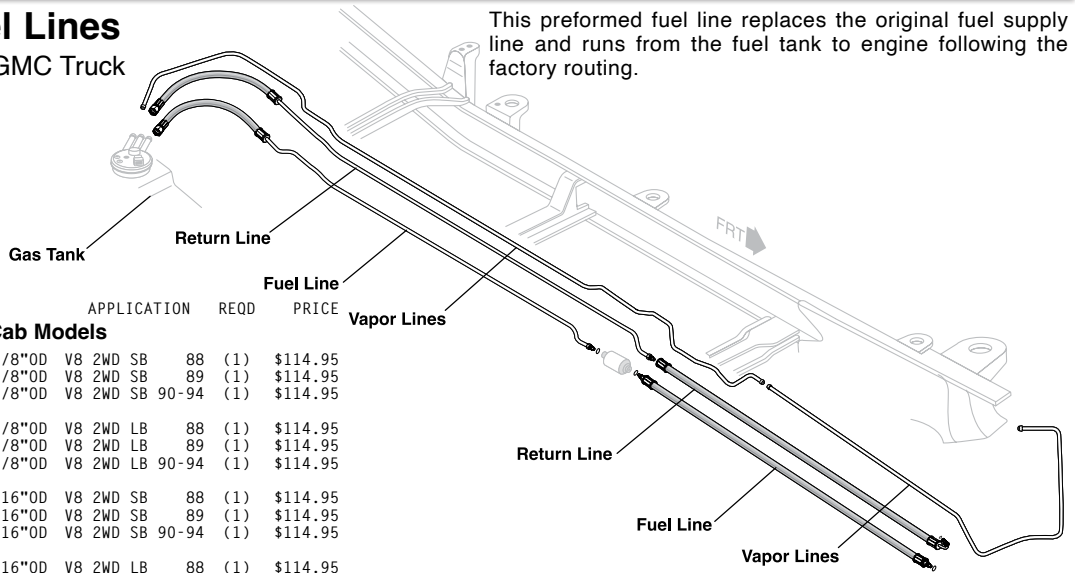


NEW

Pre-Bent Fuel Lines

1988-94 Chevy & GMC Truck

This preformed fuel line replaces the original fuel supply line and runs from the fuel tank to engine following the factory routing.

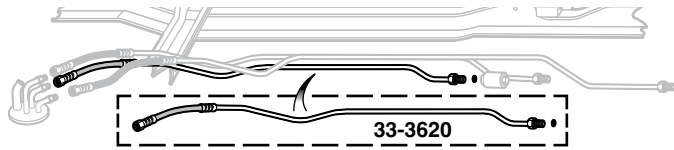


LB = Longbed Trucks
SB = Shortbed Trucks

PART	DESCRIPTION	APPLICATION	REQD	PRICE
Standard Cab Models				
33-3537	FUEL LINE-FRONT/REAR-2PC	3/8"OD V8 2WD SB	88 (1)	\$114.95
33-3538	FUEL LINE-FRONT/REAR-2PC	3/8"OD V8 2WD SB	89 (1)	\$114.95
33-3539	FUEL LINE-FRONT/REAR-2PC	3/8"OD V8 2WD SB 90-94	(1)	\$114.95
33-3540	FUEL LINE-FRONT/REAR-2PC	3/8"OD V8 2WD LB	88 (1)	\$114.95
33-3551	FUEL LINE-FRONT/REAR-2PC	3/8"OD V8 2WD LB	89 (1)	\$114.95
33-3562	FUEL LINE-FRONT/REAR-2PC	3/8"OD V8 2WD LB 90-94	(1)	\$114.95
33-3543	RETURN LINE-2PC	5/16"OD V8 2WD SB	88 (1)	\$114.95
33-3554	RETURN LINE-2PC	5/16"OD V8 2WD SB	89 (1)	\$114.95
33-3565	RETURN LINE-2PC	5/16"OD V8 2WD SB 90-94	(1)	\$114.95
33-3544	RETURN LINE-2PC	5/16"OD V8 2WD LB	88 (1)	\$114.95
33-3555	RETURN LINE-2PC	5/16"OD V8 2WD LB	89 (1)	\$114.95
33-3566	RETURN LINE-2PC	5/16"OD V8 2WD LB 90-94	(1)	\$114.95
33-3547	VAPOR LINE-2PC	1/4"OD V8 2WD SB	88 (1)	\$59.95
33-3558	VAPOR LINE-2PC	1/4"OD V8 2WD SB	89 (1)	\$59.95
33-3569	VAPOR LINE-2PC	1/4"OD V8 2WD SB 90-94	(1)	\$59.95
33-3548	VAPOR LINE-2PC	1/4"OD V8 2WD LB	88 (1)	\$59.95
33-3559	VAPOR LINE-2PC	1/4"OD V8 2WD LB	89 (1)	\$59.95
33-3570	VAPOR LINE-2PC	1/4"OD V8 2WD LB 90-94	(1)	\$59.95
Extended Cab Models				
33-3541	FUEL LINE-FR/RR-2PC	3/8"OD V8 2WD SB	88 (1)	\$114.95
33-3552	FUEL LINE-FR/RR-2PC	3/8"OD V8 2WD SB	89 (1)	\$114.95
33-3563	FUEL LINE-FR/RR-2PC	3/8"OD V8 2WD SB 90-94	(1)	\$114.95
33-3542	FUEL LINE-FR/RR-2PC	3/8"OD V8 2WD LB	88 (1)	\$114.95
33-3553	FUEL LINE-FR/RR-2PC	3/8"OD V8 2WD LB	89 (1)	\$114.95
33-3564	FUEL LINE-FR/RR-2PC	3/8"OD V8 2WD LB 90-94	(1)	\$114.95

PART	DESCRIPTION	APPLICATION	REQD	PRICE
33-3545	RETURN LINE-2PC	5/16"OD V8 2WD SB	88 (1)	\$114.95
33-3556	RETURN LINE-2PC	5/16"OD V8 2WD SB	89 (1)	\$114.95
33-3567	RETURN LINE-2PC	5/16"OD V8 2WD SB 90-94	(1)	\$114.95
33-3546	RETURN LINE-2PC	5/16"OD V8 2WD LB	88 (1)	\$114.95
33-3557	RETURN LINE-2PC	5/16"OD V8 2WD LB	89 (1)	\$114.95
33-3568	RETURN LINE-2PC	5/16"OD V8 2WD LB 90-94	(1)	\$114.95
33-3549	VAPOR LINE-2PC	1/4"OD V8 2WD SB	88 (1)	\$59.95
33-3560	VAPOR LINE-2PC	1/4"OD V8 2WD SB	89 (1)	\$59.95
33-3571	VAPOR LINE-2PC	1/4"OD V8 2WD SB 90-94	(1)	\$59.95
33-3550	VAPOR LINE-2PC	1/4"OD V8 2WD LB	88 (1)	\$59.95
33-3561	VAPOR LINE-2PC	1/4"OD V8 2WD LB	89 (1)	\$59.95
33-3572	VAPOR LINE-2PC	1/4"OD V8 2WD LB 90-94	(1)	\$59.95

Pre-Bent Fuel Supply Line



PART	DESCRIPTION	APPLICATION	REQD	PRICE
33-3621	FUEL LINE-SENDER TO FILTER-2WD	LB 1500 88-95	(1)	\$106.95
33-3620	FUEL LINE-SENDER TO FILTER-4WD	LB 1500 88-95	(1)	\$112.95

Manual Choke Conversion Kit



Replace the broken or malfunctioning choke assembly on your truck with this universal Manual Choke Conversion Kit, designed to convert your carburetor choke to manual operation. Kit is constructed of high-quality materials for long-lasting service and contains a 5'-long pull cable, covers, and the mounting hardware needed to make the conversion. Will fit most carburetor-equipped vehicles.

PART	DESCRIPTION	REQD	PRICE
34-1242	MANUAL CHOKE CONVERSION KIT	(1)	\$13.45

NotchHead Line Clamps

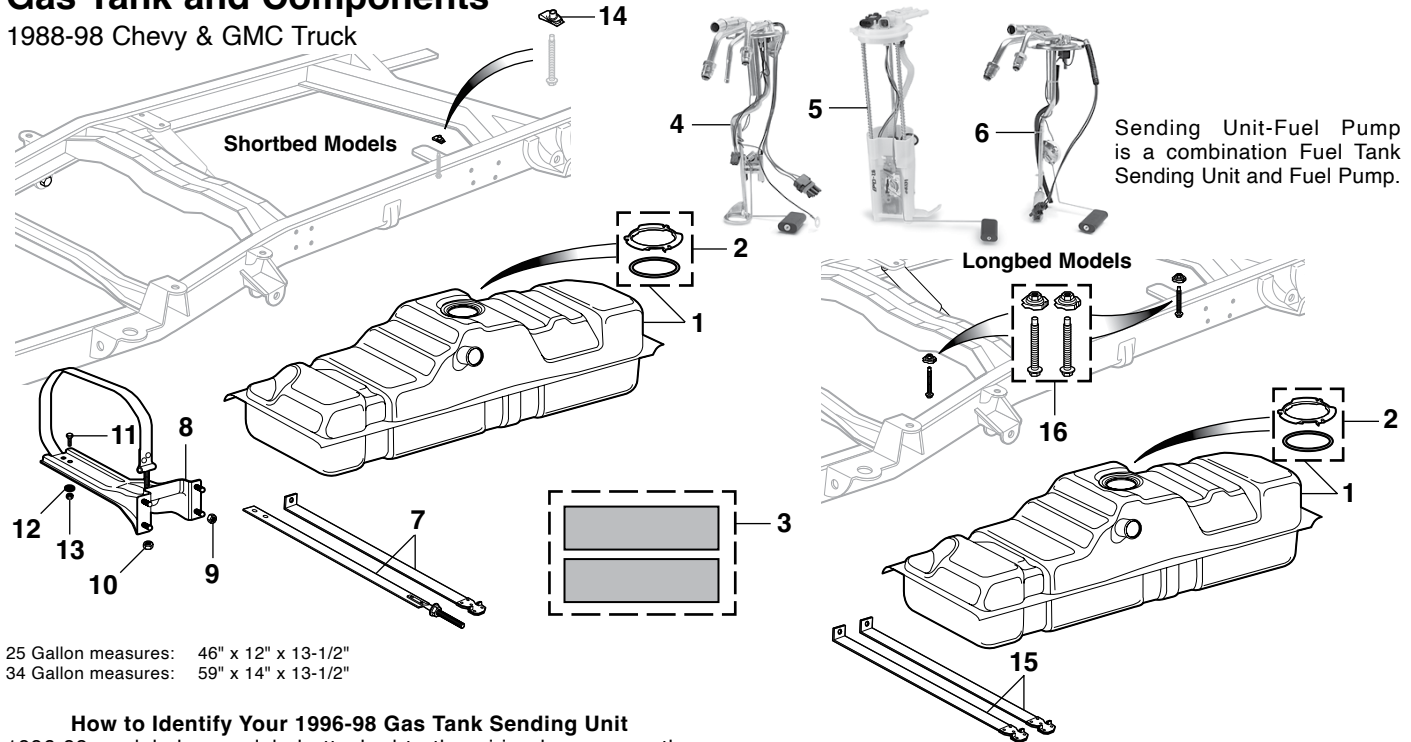


NotchHead Line Clamps organize both hard and soft lines and clamp them in place to keep from being chafed on sharp edges or crushed under moving components. Easily secure lines without marring paint. Can also be used as separators for running hoses in parallel by bolting two line clamps together. Flexible lines easily snap in for quick installation and mock-ups. Mounting hardware included in each kit.

PART	DESCRIPTION	APPLICATION	REQD	PRICE
30-1730	LINE CLAMP SET-HARDLINES-6PC	3/16" LINE	(AR)	\$16.96
30-1731	LINE CLAMP SET-HARDLINES-6PC	1/4" LINE	(AR)	\$17.91
30-1732	LINE CLAMP SET-HARDLINES-6PC	3/8" LINE	(AR)	\$19.80
30-1733	LINE CLAMP SET-HARDLINES-6PC	1/2" LINE	(AR)	\$23.58
30-1736	LINE CLAMP SET-SOFTLINES-6PC	1/2" LINE	(AR)	\$23.58
30-1737	LINE CLAMP SET-SOFTLINES-6PC	5/8" LINE	(AR)	\$25.47
30-1738	LINE CLAMP SET-SOFTLINES-6PC	3/4" LINE	(AR)	\$27.36

Gas Tank and Components

1988-98 Chevy & GMC Truck



25 Gallon measures: 46" x 12" x 13-1/2"
 34 Gallon measures: 59" x 14" x 13-1/2"

How to Identify Your 1996-98 Gas Tank Sending Unit

1996-98 models have a label attached to the wiring harness on the sending unit. The label has three letters printed on it that are referred to as the ID Code. Please order by matching the letters on your gas tank sending unit with the correct part number.

PART	ILL#	DESCRIPTION	APPLICATION	REQD	PRICE
32-5960	(1)	GAS TANK-25 GAL	4.3L	88-96 (1)	\$112.95*
32-5962		GAS TANK-25 GAL	4.3L	97-98 (1)	\$112.95*
32-5960		GAS TANK-25 GAL	5.0L 5.7L 7.4L	88-97 (1)	\$112.95*
32-5962		GAS TANK-25 GAL	5.0L 5.7L 7.4L	98 (1)	\$112.95*
32-5960		GAS TANK-25 GAL	DIESEL	88-98 (1)	\$112.95*
32-5961		GAS TANK-34 GAL	4.3L	88-96 (1)	\$139.95*
32-5963		GAS TANK-34 GAL	4.3L	97-98 (1)	\$129.95*
32-5961		GAS TANK-34 GAL	5.0L 5.7L 7.4L	88-97 (1)	\$139.95*
32-5963		GAS TANK-34 GAL	5.0L 5.7L 7.4L	98 (1)	\$129.95*
32-5961		GAS TANK-34 GAL	DIESEL	88-98 (1)	\$139.95*
30-1290	(2)	LOCK RING WITH O-RING	4.3L	88-96 (1)	\$4.95
30-1293		LOCK RING WITH O-RING	4.3L	97-98 (1)	\$14.95
30-1290		LOCK RING WITH O-RING	5.0L 5.7L 7.4L	88-97 (1)	\$4.95
30-1293		LOCK RING WITH O-RING	5.0L 5.7L 7.4L	98 (1)	\$14.95
30-1290		LOCK RING WITH O-RING	DIESEL	88-98 (1)	\$4.95
33-5810	(3)	GAS TANK ANTI-SQUEAK KIT	CHEVY GMC	88-98 (1)	\$17.95
33-4040	(4)	SENDING UNIT	4.3L	88-95 (1)	\$79.95
33-4041		SENDING UNIT VCD VPV	4.3L	96 (1)	\$79.95
33-4041		SENDING UNIT VRY VRZ	4.3L	96 (1)	\$79.95
33-4043	(5)	SENDING UNIT-FUEL PUMP "A"	4.3L	97-98 (1)	\$89.95
33-4040	(4)	SENDING UNIT	5.0L	88-95 (1)	\$79.95
33-4041		SENDING UNIT VCD VPV	5.0L	96-97 (1)	\$79.95
33-4041		SENDING UNIT VRY VRZ	5.0L	96-97 (1)	\$79.95
33-4043	(5)	SENDING UNIT/FUEL PUMP "A"	5.0L 1/2T	98 (1)	\$89.95
33-4043		SENDING UNIT/FUEL PUMP"A"B"	5.0L 3/4T	98 (1)	\$89.95
33-4044		SENDING UNIT/FUEL PUMP"A"C"	5.0L 3/4T	98 (1)	\$119.95
33-4040	(4)	SENDING UNIT	5.7L	88-95 (1)	\$79.95
33-4041		SENDING UNIT VCD VPV	5.7L	96-97 (1)	\$79.95
33-4041		SENDING UNIT VRY VRZ	5.7L	96-97 (1)	\$79.95
33-4043	(5)	SENDING UNIT/FUEL PUMP "A"	5.7L 1/2T	98 (1)	\$89.95
33-4043		SENDING UNIT/FUEL PUMP"A"B"	5.7L 3/4T	98 (1)	\$89.95
33-4044		SENDING UNIT/FUEL PUMP"A"C"	5.7L 3/4T	98 (1)	\$119.95
33-4040	(4)	SENDING UNIT	7.4L	90-93 (1)	\$79.95
33-4041		SENDING UNIT	7.4L	94-95 (1)	\$79.95
33-4041		SENDING UNIT VCD VPV	7.4L	96-97 (1)	\$79.95
33-4041		SENDING UNIT VRY VRZ	7.4L	96-97 (1)	\$79.95
33-4043	(5)	SENDING UNIT/FUEL PUMP"A"B"	7.4L	98 (1)	\$89.95
33-4044		SENDING UNIT/FUEL PUMP"A"C"	7.4L	98 (1)	\$119.95
33-4046	(6)	SENDING UNIT VRB	DIESEL	88-98 (1)	\$60.45
33-4047		SENDING UNIT VPE	DIESEL	94-98 (1)	\$59.95

* Or ** after the sell price means your order will incur an Oversize Part Charge for each oversized part. * Means extra charge will be \$20. ** Means extra charge will be \$50. Due to packing and/or transportation requirements, please allow additional time for delivery. Oversized Parts are not available for air delivery.

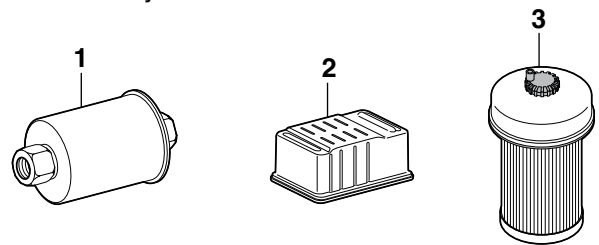
Shortbed trucks were equipped with 25 gallon tanks; longbed trucks were equipped with either a 25 gallon or 34 gallon tank. Measure your gas tank to determine which gas tank you need.

PART	ILL#	DESCRIPTION	APPLICATION	REQD	PRICE
Shortbed Models					
32-5830	(7)	GAS TANK STRAP SET "D"25GAL	CHEVY GMC	88-98 (1)	\$18.95
33-5800	(8)	FRONT STRAP W/SUPPORT 25GAL	CHEVY GMC	88-98 (1)	\$50.95
50-0811-D	(9)	NUT-SUPPORT	CHEVY GMC	88-98 (4)	\$.95
50-0811-D	(10)	NUT-FRONT STRAP	CHEVY GMC	88-98 (1)	\$.95
30-0472	(11)	BOLT	CHEVY GMC	88-98 (2)	\$1.55
29-0423	(12)	FLAT WASHER	CHEVY GMC	88-98 (2)	\$.65
29-0517	(13)	LOCK NUT	CHEVY GMC	88-98 (2)	\$1.35
29-0520	(14)	NUT-REAR STRAP	CHEVY GMC	88-98 (1)	\$1.95
Longbed Models					
32-5831	(15)	GAS TANK STRAP SET 25GAL	CHEVY GMC	88-98 (1)	\$19.95
32-5832		GAS TANK STRAP SET 34GAL	CHEVY GMC	88-98 (1)	\$19.95
31-0037	(16)	STRAP HARDWARE KIT-4PC	CHEVY GMC	88-98 (1)	\$10.45

Note: "A" Includes fuel pump. Fits models without RFI (Radio Frequency Interference) filter on fuel pump - production option 8J9.
 "B" Fits models with production option C5Z, 7,200 lb. GVW.
 "C" Fits models with production option C6P, 8,600 lb. GVW.
 "D" When replacing original straps it may be necessary to drill out the rivets on the front strap and replace with two each of the following: #30-0472, #29-0423 and #29-0517.

Fuel Filters and Components

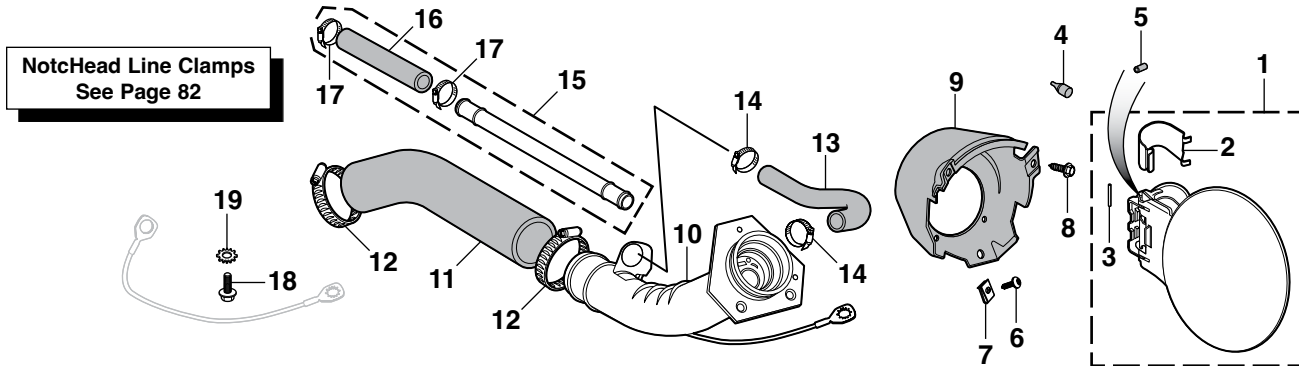
1988-98 Chevy & GMC Truck



PART	ILL#	DESCRIPTION	APPLICATION	REQD	PRICE
32-3035	(1)	FUEL FILTER	GAS 4.3L-7.4L	88-98 (1)	\$3.45
32-3038	(2)	FUEL FILTER	DIESEL 6.2L	88-93 (1)	\$19.95
32-3039	(3)	FUEL FILTER	DIESEL 6.5L	92-98 (1)	\$19.95

Gas Tank Filler Door and Components

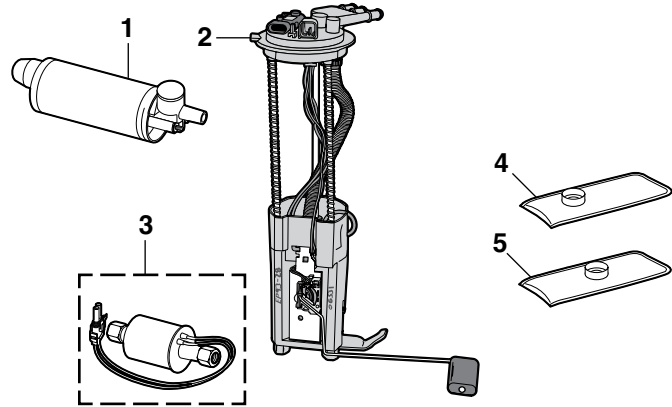
1988-91 Chevy & GMC Truck



PART	ILL#	DESCRIPTION	APPLICATION	REQD	PRICE	PART	ILL#	DESCRIPTION	APPLICATION	REQD	PRICE
39-7852	(1)	GAS TANK FILLER DOOR	FLEETSIDE 88-91	(1)	\$29.95	33-3320	(10)	FILLER PIPE	GAS FLEETSIDE 88-91	(1)	\$49.95
31-3132	(2)	HINGE SPRING	CHEVY GMC 88-91	(1)	\$3.95	33-3322		FILLER PIPE	GAS STEPSIDE 88-91	(1)	\$39.95
31-2708	(3)	HINGE PIN	CHEVY GMC 88-91	(1)	\$7.15	33-3321		FILLER PIPE	DIESEL FLEETSIDE 88-91	(1)	\$49.95
31-1818	(4)	FUEL DOOR BUMPER-ON BEDSIDE	FLEETSIDE 88-91	(2)	\$2.45	33-3330	(11)	FILLER HOSE	FLEETSIDE 88-91	(1)	\$17.95
31-1821	(5)	FUEL DOOR BUMPER-ON DOOR	CHEVY GMC 88-91	(2)	\$1.25	33-3331		FILLER HOSE	STEPSIDE 88-91	(1)	\$15.95
29-0333	(6)	SCREW-DOOR & HOUSING	CHEVY GMC 88-91	(5)	\$1.25	31-3401	(12)	HOSE CLAMP	CHEVY GMC 88-91	(2)	\$3.45
29-0542	(7)	U-NUT-HOUSING	CHEVY GMC 88-91	(3)	\$.95	33-3340	(13)	VENT HOSE-UPPER	CHEVY GMC 88-91	(1)	\$9.95
30-0454	(8)	SCREW-PIPE	CHEVY GMC 88-91	(3)	\$.95	40-3425-C	(14)	HOSE CLAMP	CHEVY GMC 88-91	(2)	\$1.95
33-3310	(9)	HOUSING-FILLER PIPE	CHEVY GMC 88-91	(1)	\$4.95	33-3355	(15)	VENT TUBE KIT	CHEVY GMC 88-91	(1)	\$19.95
						32-1953	(16)	VENT HOSE-LOWER	CHEVY GMC 88-91	(1)	\$6.95
						40-3425-C	(17)	HOSE CLAMP	CHEVY GMC 88-91	(2)	\$1.95
						30-0981	(18)	BOLT-GROUND STRAP	CHEVY GMC 88-91	(1)	\$1.25
						30-0606	(19)	WASHER-EXT TOOTH	CHEVY GMC 88-91	(1)	\$.85

Fuel Pumps

1988-98 Chevy & GMC Truck



1992-94 trucks with a 5.7L or 7.4L engine used two different fuel pump strainers. Check your truck before ordering to ensure you order the correct part.

PART	ILL#	DESCRIPTION	APPLICATION	REQD	PRICE
32-4731	(1)	FUEL PUMP	4.3L 88-95	(1)	\$39.95
29-3210		FUEL PUMP	4.3L 96	(1)	\$29.95
32-4731		FUEL PUMP	5.0L 5.7L 7.4L 88-93	(1)	\$39.95
32-4731		FUEL PUMP	5.0L 5.7L 94-95	(1)	\$39.95
33-4730		FUEL PUMP	7.4L 94-95	(1)	\$39.95
29-3210		FUEL PUMP	5.0L 5.7L 7.4L 96-97	(1)	\$29.95

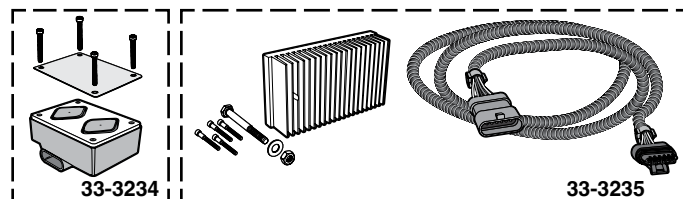
Sending Unit-Fuel Pump is a combination Fuel Tank Sending Unit and Fuel Pump.

PART	ILL#	DESCRIPTION	APPLICATION	REQD	PRICE
33-4043	(2)	SENDING UNIT/FUEL PUMP "A"	4.3L 97-98	(1)	\$89.95
33-4043		SENDING UNIT/FUEL PUMP "A"	5.0L 1/2T 98	(1)	\$89.95
33-4043		SENDING UNIT/FUEL PUMP "A" "B"	5.0L 3/4T 98	(1)	\$89.95
33-4044		SENDING UNIT/FUEL PUMP "A" "C"	5.0L 3/4T 98	(1)	\$119.95
33-4043		SENDING UNIT/FUEL PUMP "A"	5.7L 1/2T 98	(1)	\$89.95
33-4043		SENDING UNIT/FUEL PUMP "A" "B"	5.7L 3/4T 98	(1)	\$89.95
33-4044		SENDING UNIT/FUEL PUMP "A" "C"	5.7L 3/4T 98	(1)	\$119.95
33-4043		SENDING UNIT/FUEL PUMP "A" "B"	7.4L 98	(1)	\$89.95
33-4044		SENDING UNIT/FUEL PUMP "A" "C"	7.4L 98	(1)	\$119.95
33-4735	(3)	FUEL PUMP	DIESEL 94-98	(1)	\$39.95
29-3131	(4)	FUEL STRAINER	4.3L 5.0L 88-91	(1)	\$3.95
29-3131		FUEL STRAINER	5.7L 7.4L 88-91	(1)	\$3.95
29-3132	(5)	FUEL STRAINER	4.3L 5.0L 92-94	(1)	\$3.95
29-3132		FUEL STRAINER	5.7L 7.4L 92-94	(1)	\$3.95
29-3131	(4)	FUEL STRAINER	5.7L 7.4L 92-94	(1)	\$3.95
29-3132	(5)	FUEL STRAINER	4.3L 95-96	(1)	\$3.95
29-3132		FUEL STRAINER	5.0L 5.7L 7.4L 95-97	(1)	\$3.95
33-4740		FUEL STRAINER	4.3L 97-98	(1)	\$9.95
33-4740		FUEL STRAINER	5.0L 5.7L 7.4L 98	(1)	\$9.95

Note: "A" Includes sending unit. Fits models without RFI filter on fuel pump - production option 8J9.
 "B" Fits models with production option C5Z, 7,200 lb. GVW.
 "C" Fits models with production option C6P, 8,600 lb. GVW.

Fuel Pump Module and Relocation Kit

1994-98 Chevy & GMC Truck

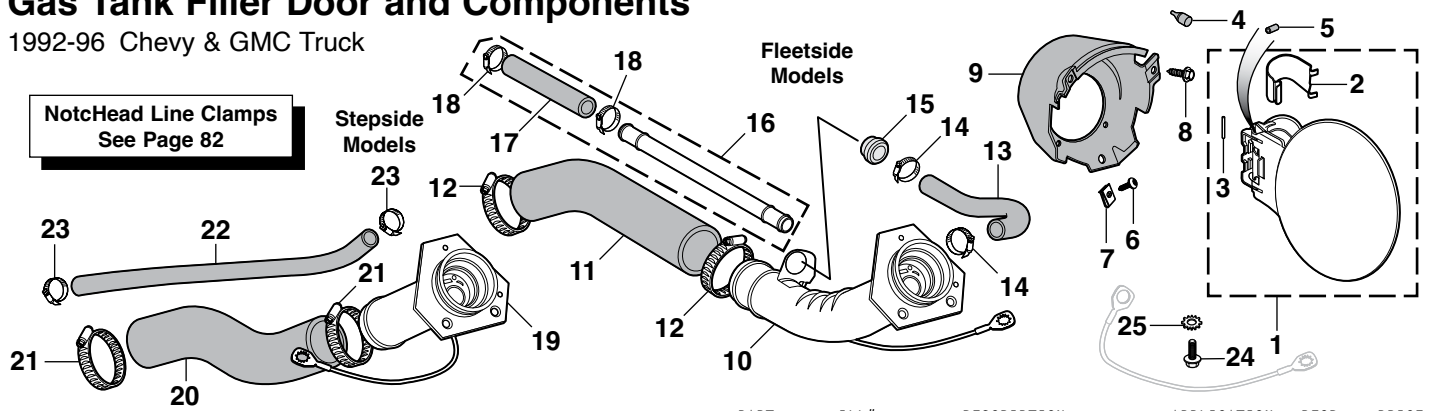


Fuel Pump Module Relocation Kit moves the fuel module up to 6 feet away from the injector pump to protect it from high temperatures and vibration, which can cause hard starting, stalling and hesitation. An aluminum heat sink mounts to the module to protect the sensitive electronics from excessive heat. Mounting hardware included.

PART	DESCRIPTION	APPLICATION	REQD	PRICE
33-3234	FUEL PUMP MODULE	6.5L 94-98	(1)	\$259.45
33-3235	FUEL PUMP MODULE RELOCATION KIT	6.5L 94-98	(1)	\$99.45

Gas Tank Filler Door and Components

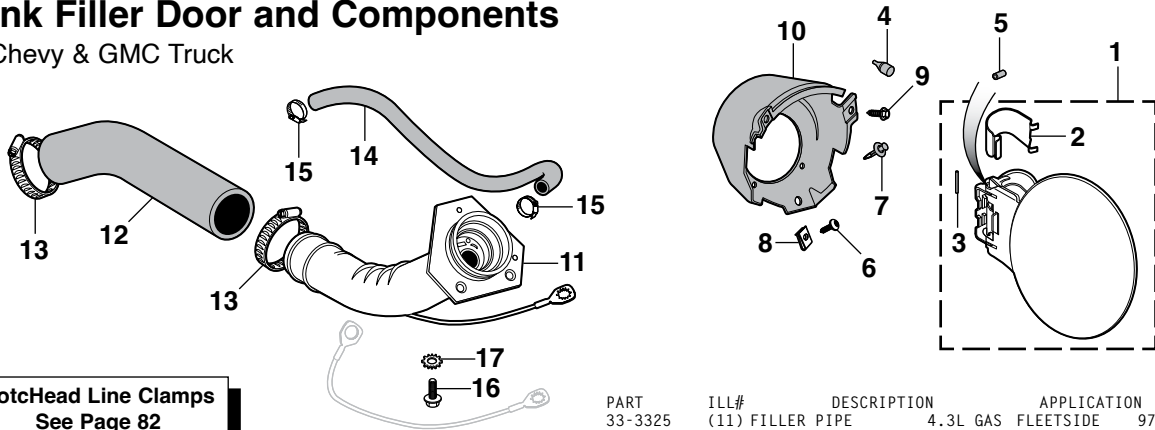
1992-96 Chevy & GMC Truck



PART	ILL#	DESCRIPTION	APPLICATION	REQD	PRICE	PART	ILL#	DESCRIPTION	APPLICATION	REQD	PRICE
39-7852	(1)	GAS TANK FILLER DOOR	FLEETSIDE 92-96	(1)	\$29.95	33-3330	(11)	FILLER HOSE	FLEETSIDE 92-96	(1)	\$17.95
31-3132	(2)	HINGE SPRING	CHEVY GMC 92-96	(1)	\$3.95	31-3401	(12)	HOSE CLAMP	FLEETSIDE 92-96	(2)	\$3.45
31-2708	(3)	HINGE PIN	CHEVY GMC 92-96	(1)	\$7.15	33-3340	(13)	VENT HOSE-UPPER	FLEETSIDE 92-96	(1)	\$9.95
31-1818	(4)	FUEL DOOR BUMPER-ON BEDSIDE	FLEETSIDE 92-96	(2)	\$2.45	40-3425-C	(14)	HOSE CLAMP	FLEETSIDE 92-96	(2)	\$1.95
31-1821	(5)	FUEL DOOR BUMPER-ON DOOR	CHEVY GMC 92-96	(2)	\$1.25	34-3130	(15)	GROMMET	FLEETSIDE 92-96	(1)	\$3.95
29-0333	(6)	SCREW-DOOR & HOUSING	CHEVY GMC 92-96	(5)	\$1.25	33-3355	(16)	VENT TUBE KIT	FLEETSIDE 92-96	(1)	\$19.95
29-0542	(7)	U-NUT-HOUSING	CHEVY GMC 92-96	(3)	\$.95	32-1953	(17)	VENT HOSE-LOWER	FLEETSIDE 92-96	(1)	\$6.95
30-0454	(8)	SCREW-PIPE	CHEVY GMC 92-96	(3)	\$.95	40-3425-C	(18)	HOSE CLAMP	FLEETSIDE 92-96	(2)	\$1.95
33-3310	(9)	HOUSING-FILLER PIPE	CHEVY GMC 92-96	(1)	\$4.95	33-3323	(19)	FILLER PIPE	GAS STEPSIDE 92-96	(1)	\$24.95
33-3320	(10)	FILLER PIPE	GAS FLEETSIDE 92-96	(1)	\$49.95	33-3332	(20)	FILLER HOSE	STEPSIDE 92-96	(1)	\$16.95
33-3321		FILLER PIPE	DIESEL FLEETSIDE 92-96	(1)	\$49.95	31-3401	(21)	HOSE CLAMP	STEPSIDE 92-96	(2)	\$3.45
						33-3341	(22)	VENT HOSE	STEPSIDE 92-96	(1)	\$9.95
						40-3425-C	(23)	HOSE CLAMP	STEPSIDE 92-96	(2)	\$1.95
						30-0981	(24)	BOLT-GROUND STRAP	CHEVY GMC 92-96	(1)	\$1.25
						30-0606	(25)	WASHER-EXT TOOTH	CHEVY GMC 92-96	(1)	\$.85

Gas Tank Filler Door and Components

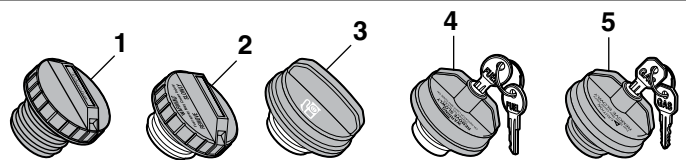
1997-98 Chevy & GMC Truck



PART	ILL#	DESCRIPTION	APPLICATION	REQD	PRICE	PART	ILL#	DESCRIPTION	APPLICATION	REQD	PRICE
39-7852	(1)	GAS TANK FILLER DOOR	FLEETSIDE 97-98	(1)	\$29.95	33-3325	(11)	FILLER PIPE	4.3L GAS FLEETSIDE 97	(1)	\$69.95
31-3132	(2)	HINGE SPRING	CHEVY GMC 97-98	(1)	\$3.95	33-3320		FILLER PIPE	5.0L 5.7L 7.4L FLEETSIDE 97	(1)	\$49.95
31-2708	(3)	HINGE PIN	CHEVY GMC 97-98	(1)	\$7.15	33-3325		FILLER PIPE	GAS FLEETSIDE 98	(1)	\$69.95
31-1818	(4)	FUEL DOOR BUMPER-ON BEDSIDE	FLEETSIDE 97-98	(2)	\$2.45	33-3321		FILLER PIPE	DIESEL FLEETSIDE 97-98	(1)	\$49.95
31-1821	(5)	FUEL DOOR BUMPER-ON DOOR	CHEVY GMC 97-98	(2)	\$1.25	33-3323		FILLER PIPE	5.0L 5.7L STEPSIDE 97	(1)	\$24.95
29-0333	(6)	SCREW-DOOR & HOUSING	CHEVY GMC 97-98	(4)	\$1.25	33-3333	(12)	FILLER HOSE	4.3L FLEETSIDE 97	(1)	\$17.95
31-1367	(7)	RETAINER-HOUSING	CHEVY GMC 97-98	(1)	\$.95	33-3330		FILLER HOSE	5.0L 5.7L 7.4L FLEETSIDE 97	(1)	\$17.95
29-0542	(8)	U-NUT-HOUSING	CHEVY GMC 97-98	(2)	\$.95	33-3333		FILLER HOSE	FLEETSIDE 98	(1)	\$17.95
30-0454	(9)	SCREW-PIPE	CHEVY GMC 97-98	(3)	\$.95	33-3333		FILLER HOSE	STEPSIDE 97-98	(1)	\$17.95
33-3310	(10)	HOUSING-FILLER PIPE	CHEVY GMC 97-98	(1)	\$4.95	31-3401	(13)	HOSE CLAMP	CHEVY GMC 97-98	(2)	\$3.45
						33-3342	(14)	VENT HOSE	FLEETSIDE 97-98	(1)	\$9.95
						33-3343		VENT HOSE	STEPSIDE 97-98	(1)	\$6.95
						40-3425-C	(15)	HOSE CLAMP	CHEVY GMC 97-98	(2)	\$1.95
						30-0981	(16)	BOLT-GROUND STRAP	CHEVY GMC 97-98	(1)	\$1.25
						30-0606	(17)	WASHER-EXT TOOTH	CHEVY GMC 97-98	(1)	\$.85

Gas Caps

1988-98 Chevy & GMC Truck



PART	ILL#	DESCRIPTION	APPLICATION	REQD	PRICE	PART	ILL#	DESCRIPTION	APPLICATION	REQD	PRICE
32-4129	(1)	GAS CAP	CHEVY GMC 88-95	(1)	\$4.95	Locking Gas Caps					
32-4129		GAS CAP	W/O DIESEL CHEVY GMC 96-97	(1)	\$4.95	32-4135	(4)	GAS CAP-LOCKING	CHEVY GMC 88-95	(1)	\$8.95
32-4138	(2)	GAS CAP	W/O DIESEL CHEVY GMC 98	(1)	\$7.45	32-4135		GAS CAP-LOCKING	W/O DIESEL CHEVY GMC 96-97	(1)	\$8.95
32-4139	(3)	GAS CAP	DIESEL CHEVY GMC 96-98	(1)	\$5.95	32-4137	(5)	GAS CAP-LOCKING	W/O DIESEL CHEVY GMC 98	(1)	\$14.95

Wood and Leather Grained Vinyl Steering Wheels ... The Ultimate Look



38-1048



38-1049



38-1171



38-1167

These 14" diameter, 3 spoke steering wheels have a half-wrap design featuring a billet back with a wood or leather grained vinyl front. Facing ring is available in hand-rubbed wood or black leather grained vinyl.

PART	DESCRIPTION	APPLICATION	REQD	PRICE
Steering Wheels				
38-1048	WOOD STEERING WHEEL-POLISHED			\$145.95
38-1049	WOOD STEERING WHEEL-BLACK			\$139.95
38-1171	VINYL STEERING WHEEL-POLISHED	CHEVY GMC 88-94		\$99.95
38-1167	VINYL STEERING WHEEL-BLACK	CHEVY GMC 88-94		\$99.95



Back View

Wood Steering Wheel has been stained a rich mahogany color and urethane-coated for better heat resistance and long life. Leather Grained Vinyl Steering Wheels are available in matte black powder coat or high-polished finish. The one-piece billet backing ring has contoured finger notches.



38-1186



38-1188 38-1189



38-1178 38-1129



38-1127 38-1128

Billet Horn Buttons include mounting hardware.

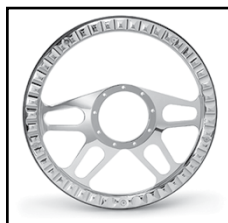
GM Official Licensed Product is purchased from an authorized GM Licensee.

Steering Wheel Puller - See Page 87

Each steering wheel requires a horn button and an installation kit; sold separately below. Horn buttons are available plain or logoed and in black or polished finish.

PART	DESCRIPTION	APPLICATION	REQD	PRICE
Horn Buttons				
38-1188	BILLET HORN BUTTON-POLISHED	PLAIN		\$29.95
38-1189	BILLET HORN BUTTON-POLISHED	BOWTIE		\$54.95
38-1178	BILLET HORN BUTTON-POLISHED	GMC		\$54.95
38-1129	BILLET HORN BUTTON-BLACK	PLAIN		\$29.95
38-1127	BILLET HORN BUTTON-BLACK	BOWTIE		\$54.95
38-1128	BILLET HORN BUTTON-BLACK	GMC		\$54.95
Installation Kits				
38-1186	INSTALLATION KIT-BILLET STYLE	CHEVY GMC 88-94	(1)	\$49.95
38-1182	INSTALLATION KIT-BLACK	CHEVY GMC 88-94	(1)	\$26.95

Chromed Billet Leather Front Steering Wheel ... The Best of Both Worlds



Back View

These 14" steering wheels feature four slotted spokes and a 3-3/4" dish and are manufactured from billet aluminum then chromed for a mirror finish.

The front of the rim is wrapped in a seamless single piece of leather and mounted to the wheel. The back of the wheel is chromed billet with contoured finger notches.

Steering wheel includes chromed billet installation kit and horn button that covers all mounting bolts. One kit includes everything needed to mount this steering wheel.

PART	DESCRIPTION	APPLICATION	REQD	PRICE
38-1190	CHROMED BILLET STEERING WHEEL	CHEVY GMC 88-94	(1)	\$257.75

GRANT Premium Leather Wrapped Billet Steering Wheel



Front



Back

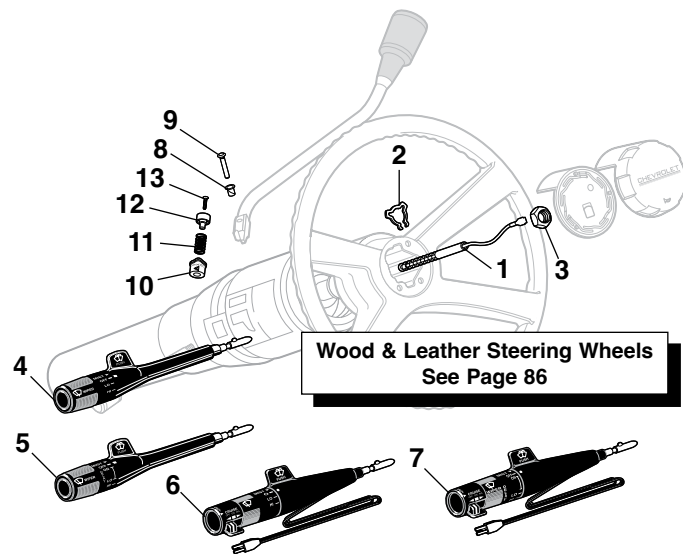
These 14-3/4" diameter, 3-spoke steering wheels have a full hand-stitched leather wrap to provide a true premium feel. Each wheel features a black anodized wheel center with polished accents, a licensed steering wheel horn button and a full installation kit.

GM Official Licensed Product is purchased from an authorized GM Licensee.

PART	DESCRIPTION	APPLICATION	REQD	PRICE
38-1036	LEATHER STEERING WHEEL-BLACK	CHEVY 88-94	(1)	\$294.95

Steering Wheel Components

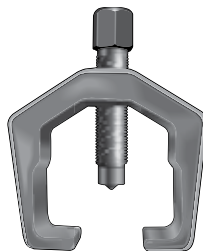
1988-94 Chevy & GMC Truck



PART	ILL#	DESCRIPTION	APPLICATION	REQD	PRICE
29-5810	(1)	HORN WIRE	CHEVY GMC 88-94	(1)	\$9.95
29-0840	(2)	RETAINER	CHEVY GMC 88-94	(1)	\$6.95
29-0516	(3)	NUT	CHEVY GMC 88-94	(1)	\$1.95
Turn Signal Levers without Cruise Control					
34-0795	(4)	TURN SIGNAL LEVER W/O INTERMITTENT WIPERS	CHEVY GMC 88-89	(1)	\$21.95
34-0797	(5)	TURN SIGNAL LEVER W/INTERMITTENT WIPERS	CHEVY GMC 88-94	(1)	\$12.95
Turn Signal Levers with Cruise Control					
34-0784	(6)	TURN SIGNAL LEVER W/O INTERMITTENT WIPERS	CHEVY GMC 88-89	(1)	\$22.95
34-0785	(7)	TURN SIGNAL LEVER W/INTERMITTENT WIPERS	CHEVY GMC 88-94	(1)	\$19.95
34-0407	(8)	BUSHING	CHEVY GMC 88-91	(1)	\$11.75
29-0826	(9)	PIN	CHEVY GMC 88-94	(1)	\$5.95
Hazard Knob					
29-5850	(10)	KNOB-HAZARD WARNING	CHEVY GMC 88-94	(1)	\$1.95
29-0827	(11)	SPRING	CHEVY GMC 88-94	(1)	\$1.95
29-5852	(12)	BUTTON	CHEVY GMC 88-94	(1)	\$1.95
29-0314	(13)	SCREW	CHEVY GMC 88-94	(1)	\$2.55

Pitman Arm Puller

The Pitman Arm Puller features a forged, heat-treated steel yoke that is designed to wrap securely around the pitman arm to allow for easy removal. Heavy-duty center screw has pointed tip and 3/4" hex head. Opening: 1-5/16" (33mm). Depth: 2-1/2" (64mm).



PART	DESCRIPTION	PRICE
34-2202	PITMAN ARM PULLER	\$20.95

Billet Steering Column Accessories

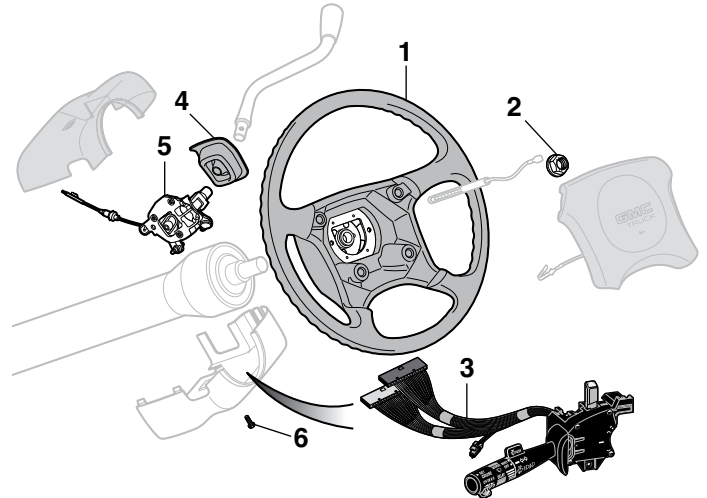
Billet aluminum parts are manufactured from the highest quality T-6 aircraft aluminum, resulting in strong and durable products that require little or no maintenance.

Three piece Billet Column Kit #38-1950 includes turn signal lever, tilt wheel lever and emergency flasher knob.

PART	DESCRIPTION	APPLICATION	REQD	PRICE
38-1952	COLUMN SHIFTER	POLISHED 88-94	(1)	\$29.95
38-1961	COLUMN SHIFTER	BLACK MACHINED 88-94	(1)	\$104.95
38-1954	COLUMN SHIFTER	POLISHED 95-98	(1)	\$59.95
38-1950	COLUMN KIT	POLISHED 88-98	(1)	\$19.95
38-1994	COLUMN KIT	BLACK MACHINED 88-98	(1)	\$69.95
38-1583	SHIFT LEVER KNOB-FLAT TOP	MACHINED 88-91	(1)	\$23.95
38-1575	SHIFT LEVER KNOB-FLAT TOP	BLACK MACHINED 88-91	(1)	\$29.95
38-1584	SHIFT LEVER KNOB-FLAT TOP	POLISHED 88-91	(1)	\$27.95

Steering Wheel Components

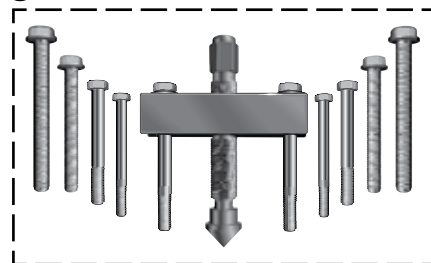
1995-98 Chevy & GMC Truck



PART	ILL#	DESCRIPTION	APPLICATION	REQD	PRICE
34-0617	(1)	STEERING WHEEL	"A"B" CHEVY GMC 95-98	(1)	\$244.95
29-0516	(2)	NUT	CHEVY GMC 95-98	(1)	\$1.95
34-0802	(3)	TURN SIGNAL LEVER	"C" CHEVY GMC 95-98	(1)	\$66.95
34-0803		TURN SIGNAL LEVER	"D" CHEVY GMC 95-98	(1)	\$84.95
34-0880	(4)	SHIFT LEVER BOOT	CHEVY GMC 95-98	(1)	\$27.95
34-0881	(5)	STEERING COLUMN SHIFT ASSY	CHEVY GMC 95-98	(1)	\$142.95
31-0328	(6)	SCREW-COVER	CHEVY GMC 95-98	(2)	\$6.50

Note: "A" Fits models without driver side airbag.
 "B" Fits models without leather wrapped steering wheel.
 "C" Fits models without tilt or cruise control.
 "D" Fits models with tilt and cruise control.

Steering Wheel Puller



Steering Wheel Puller features forged, milled yoke and center screw with pointed/removable adaptor. Includes five sets of bolts in standard and metric sizes. Can also be used to remove pulleys, flanges and gears.

PART	DESCRIPTION	PRICE
38-1199	STEERING WHEEL PULLER	\$30.95



38-1952



38-1961



38-1954



38-1950



38-1994



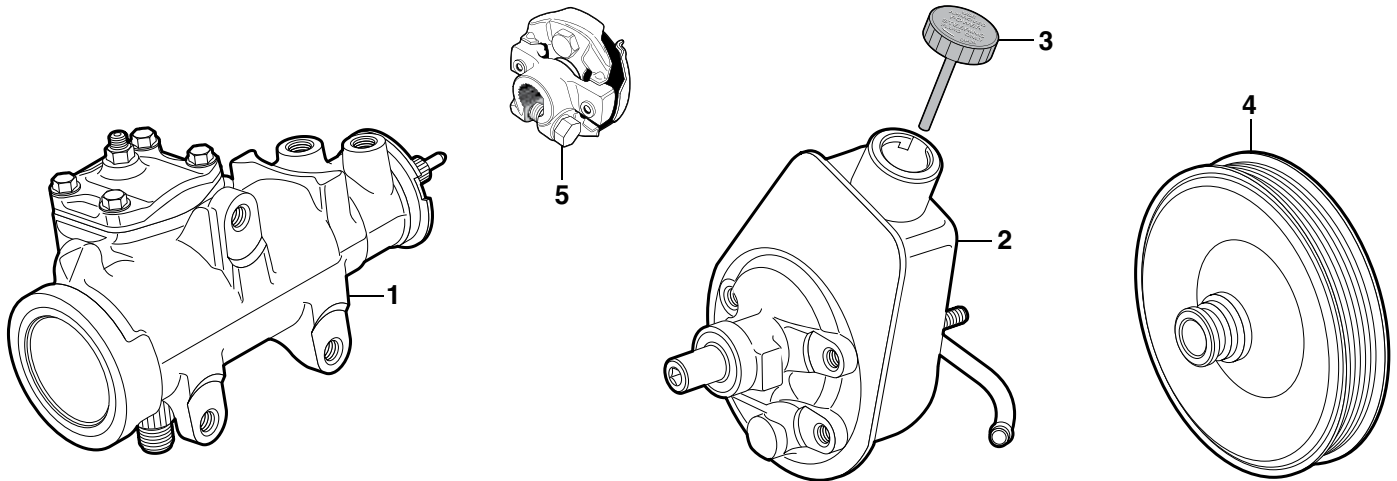
38-1583



38-1575

Power Steering Components

1988-98 Chevy & GMC Truck



Pulley Not Included with Power Steering Pump

W/AC = With Air Conditioning
VAC = Vacuum Power Brakes

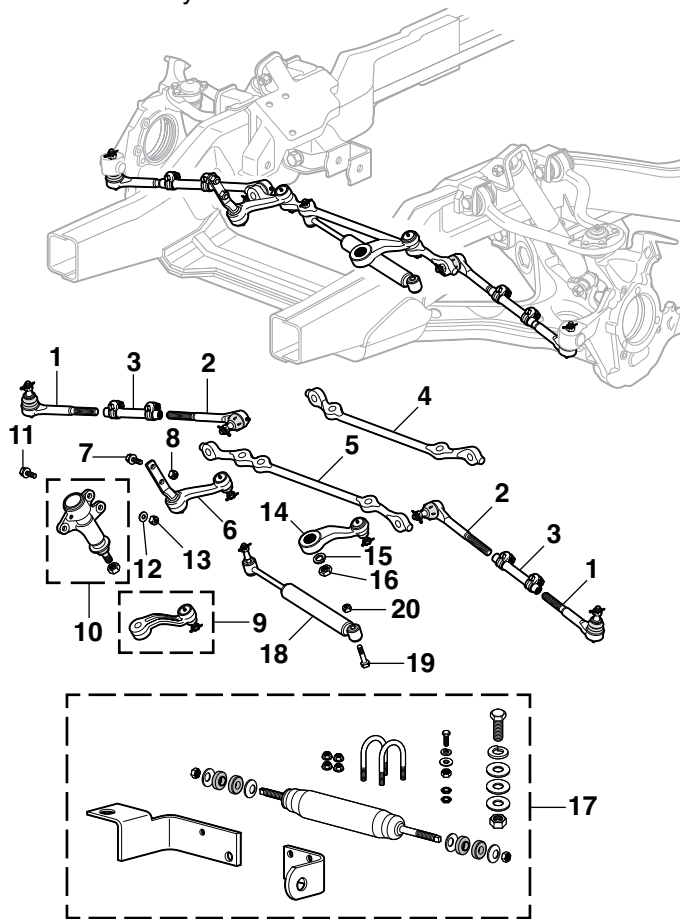
PART	ILL#	DESCRIPTION	APPLICATION	REQD	PRICE
4.3L, 5.0L, 5.7L - 1988-95					
35-1000	(1)	STEERING GEAR 4.3L 5.0L 5.7L	"A" 2WD 1/2T 88-95	(1)	\$479.95
35-1000		STEERING GEAR 4.3L 5.0L 5.7L	4WD 1/2T 88-95	(1)	\$479.95
35-1000		STEERING GEAR 4.3L 5.0L 5.7L	"B" 3/4T 88-95	(1)	\$479.95
35-1002-R		STEERING GEAR 4.3L 5.0L 5.7L	"C" 3/4T 88-95	(1)	\$389.95
29-5615	(2)	PUMP 4.3L	88-89	(1)	\$174.95
29-5615		PUMP 5.0L	88-89	(1)	\$174.95
29-5615		PUMP 5.7L	88-89	(1)	\$174.95
34-0945		PUMP 4.3L	90-95	(1)	\$174.95
34-0945		PUMP 5.0L	90-95	(1)	\$174.95
34-0945		PUMP VAC 5.7L	90-95	(1)	\$174.95
29-5635	(3)	RESERVOIR CAP 4.3L 5.0L 5.7L	88-95	(1)	\$4.45
35-0952	(4)	PULLEY W/AC 4.3L 5.0L 5.7L	88-89	(1)	\$29.95
35-0952		PULLEY 4.3L 5.0L 5.7L	90-95	(1)	\$29.95
4.3L, 5.0L, 5.7L - 1996-98					
35-1000	(1)	STEERING GEAR 4.3L 5.0L 5.7L	1/2T 96	(1)	\$479.95
35-1000		STEERING GEAR 4.3L 5.0L 5.7L	"B" 3/4T 96	(1)	\$479.95
35-1002-R		STEERING GEAR 4.3L 5.0L 5.7L	"C" 3/4T 96	(1)	\$389.95
35-0901-R	(2)	PUMP 4.3L	1/2T 96	(1)	\$139.95
35-0901-R		PUMP 5.0L CHEVY GMC	96	(1)	\$139.95
35-0901-R		PUMP VAC 5.7L CHEVY GMC	96	(1)	\$139.95
29-5635	(3)	RESERVOIR CAP 4.3L 5.0L 5.7L	96-98	(1)	\$4.45
35-0952	(4)	PULLEY 4.3L 5.0L 5.7L	96-98	(1)	\$29.95

PART	ILL#	DESCRIPTION	APPLICATION	REQD	PRICE
7.4L - 1990-95					
35-1000	(1)	STR GEAR "A" 7.4L	2WD 1/2T 90-95	(1)	\$479.95
35-1000		STR GEAR "B" 7.4L	3/4T 90-95	(1)	\$479.95
35-1002-R		STR GEAR "C" 7.4L	3/4T 90-95	(1)	\$389.95
29-5635	(3)	RESERVOIR CAP 7.4L	CHEVY GMC 90-95	(1)	\$4.45
35-0952	(4)	PULLEY 7.4L	CHEVY GMC 90-95	(1)	\$29.95
7.4L - 1996-98					
35-1000	(1)	STR GEAR "B" 7.4L	3/4T 96	(1)	\$479.95
35-1002-R		STR GEAR "C" 7.4L	3/4T 96	(1)	\$389.95
29-5635	(3)	RESERVOIR CAP 7.4L	3/4T 96-98	(1)	\$4.45
35-0952	(4)	PULLEY 7.4L	3/4T 96-98	(1)	\$29.95
6.2L and 6.5L Diesel - 1988-95					
35-1000	(1)	STEERING GEAR 6.2L 6.5L DIESEL	1/2T 88-95	(1)	\$479.95
35-1000		STEERING GEAR "B" 6.2L 6.5L DIESEL	3/4T 88-95	(1)	\$479.95
35-1002-R		STEERING GEAR "C" 6.2L 6.5L DIESEL	3/4T 88-95	(1)	\$389.95
29-5635	(3)	RESERVOIR CAP 6.2L 6.5L DSL	CHEVY GMC 88-95	(1)	\$4.45
35-0952	(4)	PULLEY 6.2L 6.5L DIESEL	CHEVY GMC 88-95	(1)	\$29.95
6.5L Diesel - 1996-98					
35-1000	(1)	STR GEAR 6.5L DSL	1/2T 96	(1)	\$479.95
35-1000		STEERING GEAR "B" 6.5L DSL	3/4T 96	(1)	\$479.95
35-1002-R		STEERING GEAR "C" 6.5L DSL	3/4T 96	(1)	\$389.95
29-5635	(3)	RESERVOIR CAP 6.5L DSL	CHEVY GMC 96-98	(1)	\$4.45
35-0952	(4)	PULLEY 6.5L DSL	CHEVY GMC 96-98	(1)	\$29.95
Steering Coupler					
38-4835	(5)	STEERING COUPLER CHEVY GMC 88-98		(1)	\$29.95

Note: "A" Fits models without Sport Suspension - production option ZQ8.
"B" Fits models with production option C5Z, 7,200 lb. GVW.
"C" Fits models with production option C6P, 8,600 lb. GVW.

Steering Controls - 4 Wheel Drive

1988-98 Chevy & GMC Truck



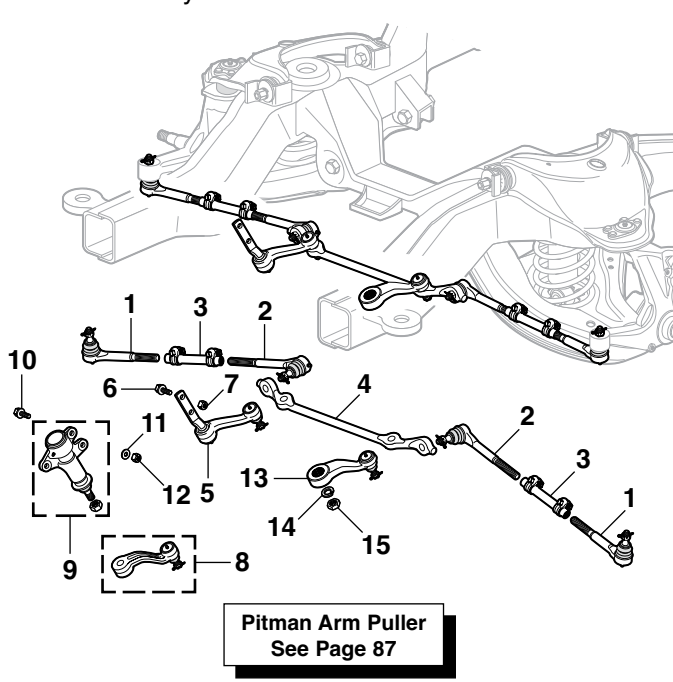
A Steering Stabilizer Kit is basically a horizontal shock absorber that helps to stabilize the steering system. The kit not only helps to stabilize the steering, but can also help in the prevention of "Bump Steer", when the steering wheel jerks suddenly as a result of hitting a pothole or object in your path. These kits will also help to reduce normal wear on vital suspension pieces, and make tires last longer. This kit is especially helpful for trucks whose original equipment tires have been replaced by larger or wider ones.

PART	ILL#	DESCRIPTION	APPLICATION	REQD	PRICE
35-1900	(1)	TIE ROD END-OUTER	4WD	88-98 (2)	\$11.45
35-1911	(2)	TIE ROD END-INNER	4WD	88-98 (2)	\$11.95
34-1122	(3)	ADJUSTER SLEEVE	4WD	88-98 (2)	\$7.95
35-1111	(4)	CENTER LINK	4WD 1/2T	88-98 (1)	\$35.95
35-1111	(4)	CENTER LINK	4WD 3/4T	88-98 (1)	\$35.95
35-1112	(5)	CENTER LINK	"B" 4WD 3/4T	88-98 (1)	\$44.95
35-2100	(6)	IDLER ARM-STANDARD	4WD	88-92 (1)	\$24.95
35-2101	(7)	IDLER ARM-HEAVY DUTY	4WD	88-92 (1)	\$40.95
31-0283	(7)	BOLT	4WD	88-92 (2)	\$1.45
40-0870-C	(8)	TORQUE LOCK NUT	4WD	88-92 (7)	\$1.35
35-2102	(9)	IDLER ARM	4WD	93-98 (1)	\$19.95
35-2103	(10)	PIVOT ASSEMBLY-IDLER ARM	4WD	93-98 (1)	\$34.95
31-0285	(11)	BOLT	4WD	93-98 (3)	\$5.25
29-0412	(12)	FLAT WASHER	4WD	93-98 (3)	\$1.25
40-0870-C	(13)	TORQUE LOCK NUT	4WD	93-98 (3)	\$1.35
35-2221	(14)	PITMAN ARM	4WD	88-98 (1)	\$21.95
30-0607	(15)	LOCK WASHER	4WD	88-98 (1)	\$1.45
30-0891	(16)	NUT	4WD	88-98 (2)	\$1.35
35-2365	(17)	STEERING STABILIZER KIT	4WD	88-98 (1)	\$93.74
29-5445	(18)	STEERING STABILIZER	"B" 4WD	88-98 (1)	\$53.95
31-0284	(19)	BOLT	4WD	88-98 (1)	\$1.95
31-0882	(20)	TORQUE LOCK NUT	4WD	88-98 (1)	\$1.35

Note: "A" Does not fit models originally equipped with steering stabilizer.
 "B" Fits models originally equipped with steering stabilizer.

Steering Controls - 2 Wheel Drive

1988-98 Chevy & GMC Truck



PART	ILL#	DESCRIPTION	APPLICATION	REQD	PRICE
35-1900	(1)	TIE ROD END-OUTER	2WD	88-98 (2)	\$11.45
35-1910	(2)	TIE ROD END-INNER	2WD	88-98 (2)	\$11.95
34-1122	(3)	ADJUSTER SLEEVE	2WD	88-98 (2)	\$7.95
35-1110	(4)	CENTER LINK	2WD	88-98 (1)	\$31.15
35-2100	(5)	IDLER ARM-STANDARD	2WD	88-92 (1)	\$24.95
35-2101	(6)	IDLER ARM-HEAVY DUTY	2WD	88-92 (1)	\$40.95
31-0283	(6)	BOLT	2WD	88-92 (2)	\$1.45
40-0870-C	(7)	TORQUE LOCK NUT	2WD	88-92 (2)	\$1.35
35-2102	(8)	IDLER ARM	2WD	93-98 (1)	\$19.95
35-2103	(9)	PIVOT ASSEMBLY-IDLER ARM	2WD	93-98 (1)	\$34.95
31-0285	(10)	BOLT	2WD	93-98 (3)	\$5.25
29-0412	(11)	FLAT WASHER	2WD	93-98 (3)	\$1.25
40-0870-C	(12)	TORQUE LOCK NUT	2WD	93-98 (3)	\$1.35
35-2220	(13)	PITMAN ARM-MANUAL STEERING	2WD	88 (1)	\$20.95
35-2221	(13)	PITMAN ARM-POWER STEERING	2WD	88-98 (1)	\$21.95
30-0607	(14)	LOCK WASHER	2WD	88-98 (1)	\$1.45
30-0891	(15)	NUT	2WD	88-98 (1)	\$1.35

Steering Wheels and Horn Buttons

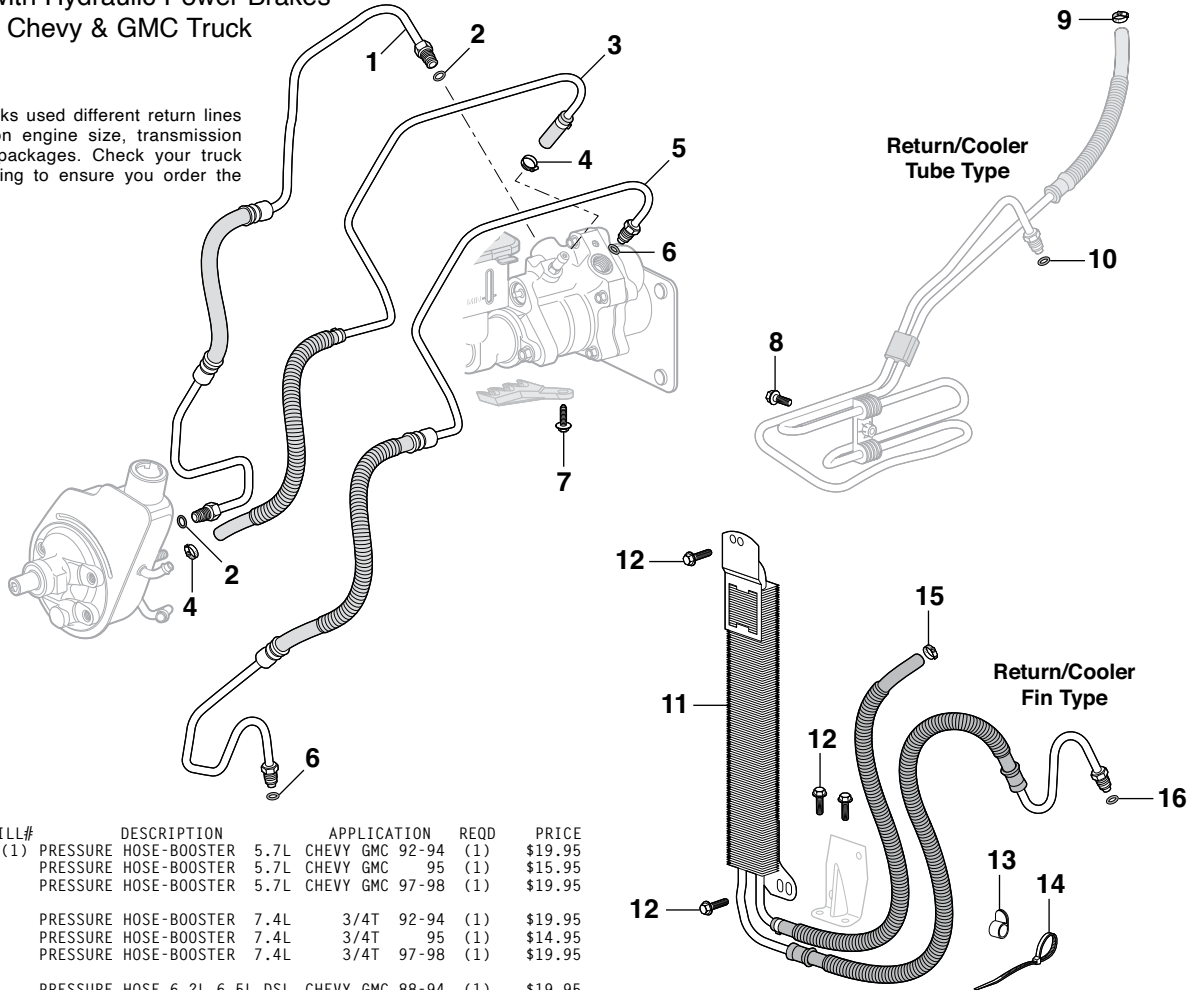


The Wood Steering Wheel has been stained a rich mahogany color and urethane-coated for better heat resistance and long life. **For More Information See Page 86**

Power Steering Hoses

Models with Hydraulic Power Brakes
1988-98 Chevy & GMC Truck

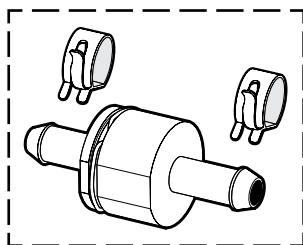
1988-98 trucks used different return lines depending on engine size, transmission and option packages. Check your truck before ordering to ensure you order the correct part.



PART	ILL#	DESCRIPTION	APPLICATION	REQD	PRICE
33-1810	(1)	PRESSURE HOSE-BOOSTER 5.7L	CHEVY GMC 92-94	(1)	\$19.95
33-1811		PRESSURE HOSE-BOOSTER 5.7L	CHEVY GMC 95	(1)	\$15.95
33-1813		PRESSURE HOSE-BOOSTER 5.7L	CHEVY GMC 97-98	(1)	\$19.95
33-1810		PRESSURE HOSE-BOOSTER 7.4L	3/4T 92-94	(1)	\$19.95
33-1814		PRESSURE HOSE-BOOSTER 7.4L	3/4T 95	(1)	\$14.95
33-1813		PRESSURE HOSE-BOOSTER 7.4L	3/4T 97-98	(1)	\$19.95
33-1810		PRESSURE HOSE 6.2L 6.5L DSL	CHEVY GMC 88-94	(1)	\$19.95
33-1814		PRESSURE HOSE 6.5L DSL	CHEVY GMC 95	(1)	\$14.95
33-1813		PRESSURE HOSE 6.5L DSL	CHEVY GMC 97-98	(1)	\$19.95
29-0611	(2)	O-RING	CHEVY GMC 88-98	(2)	\$1.25
33-1830	(3)	RETURN HOSE-FROM BOOSTER	CHEVY GMC 88-94	(1)	\$12.95
33-1831		RETURN HOSE-FROM BOOSTER	CHEVY GMC 95-98	(1)	\$12.95
29-0573	(4)	HOSE CLAMP	CHEVY GMC 88-98	(2)	\$1.95
33-1820	(5)	PRESSURE HOSE-TO GEAR 5.7L	CHEVY GMC 92-94	(1)	\$16.95
33-1821		PRESSURE HOSE-TO GEAR 5.7L	CHEVY GMC 95	(1)	\$17.95
33-1822		PRESSURE HOSE-TO GEAR 5.7L	2WD 96-98	(1)	\$29.95
33-1823		PRESSURE HOSE-TO GEAR 5.7L	4WD 96-98	(1)	\$29.95
33-1820		PRESSURE HOSE-TO GEAR 7.4L	3/4T 92-94	(1)	\$16.95
33-1821		PRESSURE HOSE-TO GEAR 7.4L	3/4T 95	(1)	\$17.95
33-1822		PRESSURE HOSE-TO GEAR 7.4L	2WD 3/4T 96-98	(1)	\$29.95
33-1823		PRESSURE HOSE-TO GEAR 7.4L	4WD 3/4T 96-98	(1)	\$29.95
33-1820		PRESSURE HOSE-TO GEAR 6.2L DIESEL	92-93	(1)	\$16.95
33-1820		PRESSURE HOSE-TO GEAR 6.5L DIESEL	92-94	(1)	\$16.95
33-1821		PRESSURE HOSE-TO GEAR 6.5L DIESEL	95-96	(1)	\$17.95
33-1822		PRESSURE HOSE-TO GEAR 6.5L DSL	2WD 97-98	(1)	\$29.95
33-1823		PRESSURE HOSE-TO GEAR 6.5L DSL	4WD 97-98	(1)	\$29.95

PART	ILL#	DESCRIPTION	APPLICATION	REQD	PRICE
29-0611	(6)	O-RING	CHEVY GMC 88-98	(2)	\$1.25
31-0262	(7)	BOLT	CHEVY GMC 88-98	(1)	\$.95
30-0472	(8)	BOLT	CHEVY GMC 92-98	(1)	\$1.55
29-0573	(9)	HOSE CLAMP	CHEVY GMC 92-98	(1)	\$1.95
29-0611	(10)	O-RING	CHEVY GMC 92-98	(1)	\$1.25
33-1850	(11)	RETURN/COOLER-FIN	CHEVY GMC 88-98	(1)	\$118.95
30-0981	(12)	BOLT	CHEVY GMC 88-98	(4)	\$1.25
30-1363	(13)	RETAINER-HOSE	CHEVY GMC 88-91	(1)	\$1.45
31-1368	(14)	RETAINER-HOSE	CHEVY GMC 92-96	(1)	\$.65
29-0573	(15)	HOSE CLAMP	CHEVY GMC 88-98	(1)	\$1.95
29-0611	(16)	O-RING	CHEVY GMC 88-98	(1)	\$1.25

In-Line Power Steering Filter Helps Prevent Power Steering Failure



Power Steering Filter is a serviceable magnetic filter element that helps prevent contamination from dangerous metal particles and installs easily in the return hose of the power steering pump. Measures 1-1/4" diameter x 3" long and fits power steering return hoses with a 3/8" inner diameter. Check yours before ordering. Includes hose clamps and instructions.

PART	DESCRIPTION	APPLICATION	REQD	PRICE
32-1961	POWER STEERING FILTER	ALUMINUM	(1)	\$29.95

Replacement Steering Shaft

1995-98 Chevy & GMC Truck

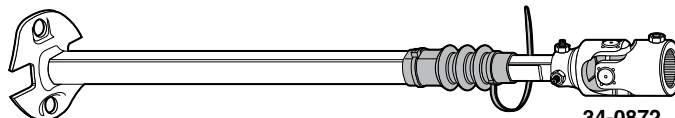


34-0873

PART	DESCRIPTION	APPLICATION	PRICE
34-0873	STEERING SHAFT ASSEMBLY	CHEVY GMC 95-98	\$274.95

Heavy-Duty Steering Shaft Assembly

1992-94 Chevy & GMC Truck



34-0872



Heavy-Duty Steering Shaft Assemblies are made from chrome moly steel billets and incorporate needle bearings for precise road handling. The universal joint uses sealed, permanently lubricated needle bearings making it maintenance free. This Assembly adds a measure of safety to the steering system with needle bearing U-joints and a telescoping shaft. If there is play in the steering system, your truck will have loose and vague steering. You may feel a looseness when you hit a bump or truck may wander in crosswinds. Order yours today!

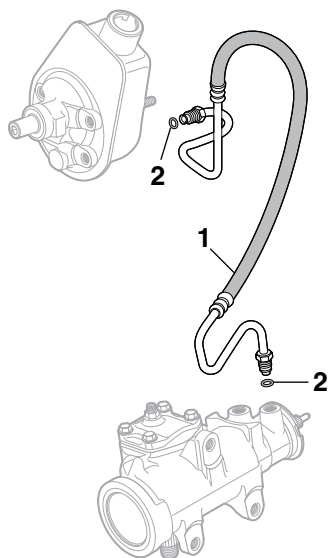
Proudly made in the USA and carries a Five-Year/50,000 Mile Warranty (whichever comes first) against defects in materials and workmanship.

PART	DESCRIPTION	APPLICATION	REQD	PRICE
34-0872	HEAVY-DUTY STEERING SHAFT	CHEVY GMC 92-94	(1)	\$246.08

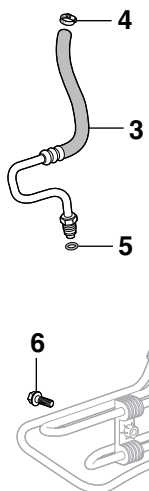
Power Steering Hoses

Models with Vacuum Power Brakes

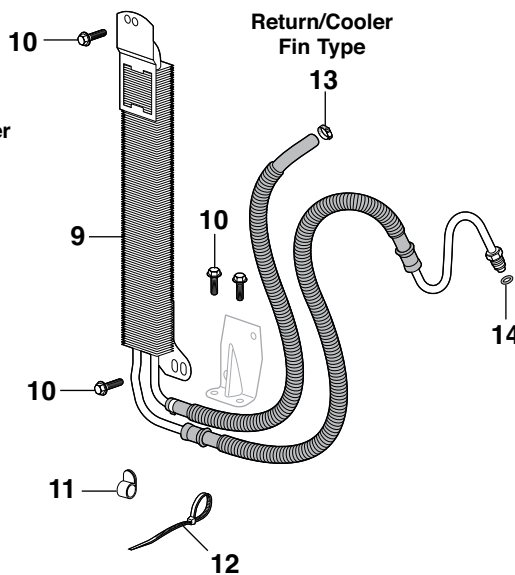
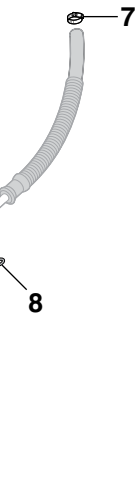
1988-98 Chevy & GMC Truck



Return Hose without Cooler



Return/Cooler Tube Type

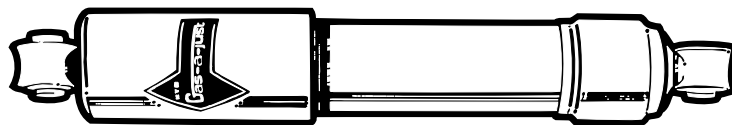


PART	ILL#	DESCRIPTION	APPLICATION	REQD	PRICE
33-1800	(1)	PRESSURE HOSE-TO GEAR	4.3L CHEVY GMC 88-95	(1)	\$17.95
33-1803		PRESSURE HOSE-TO GEAR	5.0L CHEVY GMC 88-95	(1)	\$17.95
33-1804		PRESSURE HOSE-TO GEAR	5.0L CHEVY GMC 96	(1)	\$22.95
33-1805		PRESSURE HOSE-TO GEAR	5.0L CHEVY GMC 97-98	(1)	\$12.95
33-1803		PRESSURE HOSE-TO GEAR	5.7L CHEVY GMC 88-95	(1)	\$17.95
33-1804		PRESSURE HOSE-TO GEAR	5.7L CHEVY GMC 96	(1)	\$22.95
33-1805		PRESSURE HOSE-TO GEAR	5.7L CHEVY GMC 97-98	(1)	\$12.95
32-1977		PRESSURE HOSE-TO GEAR	7.4L CHEVY GMC 90-95	(1)	\$12.95
29-0611	(2)	O-RING	CHEVY GMC 88-98	(2)	\$1.25
33-1834	(3)	RETURN HOSE-W/O COOLER	4.3L CHEVY GMC 88-98	(1)	\$11.95
33-1834		RETURN HOSE-W/O COOLER	5.0L CHEVY GMC 88-95	(1)	\$11.95
33-1835		RETURN HOSE-W/O COOLER	5.0L CHEVY GMC 96-98	(1)	\$16.95
33-1834		RETURN HOSE-W/O COOLER	5.7L CHEVY GMC 88-95	(1)	\$11.95
33-1835		RETURN HOSE-W/O COOLER	5.7L CHEVY GMC 96-98	(1)	\$16.95

1988-98 trucks used different return lines depending on engine size, transmission and option packages. Check your truck before ordering to ensure you order the correct part.

PART	ILL#	DESCRIPTION	APPLICATION	REQD	PRICE
29-0573	(4)	HOSE CLAMP	CHEVY GMC 88-98	(1)	\$1.95
29-0611	(5)	O-RING	CHEVY GMC 88-98	(1)	\$1.25
30-0472	(6)	BOLT	CHEVY GMC 88-98	(1)	\$1.55
29-0573	(7)	HOSE CLAMP	CHEVY GMC 88-98	(1)	\$1.95
29-0611	(8)	O-RING	CHEVY GMC 88-98	(1)	\$1.25
33-1850	(9)	RETURN/COOLER-FIN	5.0L 5.7L 7.4L 88-98	(1)	\$118.95
30-0981	(10)	BOLT	CHEVY GMC 88-98	(4)	\$1.25
30-1363	(11)	RETAINER-HOSE	CHEVY GMC 88-91	(1)	\$1.45
31-1368	(12)	RETAINER-HOSE	CHEVY GMC 92-95	(1)	\$6.65
29-0573	(13)	HOSE CLAMP	CHEVY GMC 88-98	(1)	\$1.95
29-0611	(14)	O-RING	CHEVY GMC 88-98	(1)	\$1.25

KYB Shock Absorbers ... Driving Control, Even Ride and Performance Handling



Gas-A-Just Shock Absorbers: Features higher gas pressure to provide unsurpassed control on even the most demanding roads. Eliminates the age old problem of performance fade by eliminating aeration and foaming, a problem with other shocks that use two-tube construction that allows air to mix with fluid.

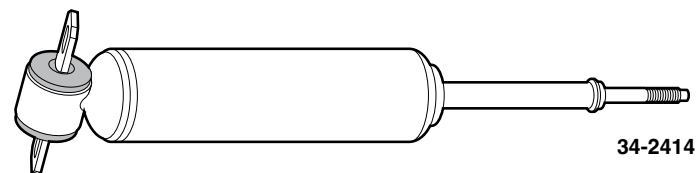
PART	DESCRIPTION	APPLICATION	REQD	PRICE
39-1600	KYB GAS-A-JUST SHOCK-FRONT	2WD 1/2T 88-98	(2)	\$67.58
39-1600	KYB GAS-A-JUST SHOCK-FRONT	"A" 2WD 3/4T 88-98	(2)	\$67.58
39-1601	KYB GAS-A-JUST SHOCK-REAR	2WD 88-98	(2)	\$85.37
39-1602	KYB GAS-A-JUST SHOCK-FRONT	4WD 1/2T 88-98	(2)	\$76.91
39-1602	KYB GAS-A-JUST SHOCK-FRONT	"A" 4WD 3/4T 88-95	(2)	\$76.91
39-1601	KYB GAS-A-JUST SHOCK-REAR	4WD 88-98	(2)	\$85.37

GR-2 Gas Shock Absorbers: Features lower pressure for riding comfort with improved handling and response only gas shocks can provide at an economical price. The economical way to step up from hydraulic shocks to the quality ride and control of gas.

PART	DESCRIPTION	APPLICATION	REQD	PRICE
39-1604	KYB GR2 SHOCK-FRONT	2WD 1/2T 88-98	(2)	\$58.54
39-1604	KYB GR2 SHOCK-FRONT	"A" 2WD 3/4T 88-98	(2)	\$58.54
39-1605	KYB GR2 SHOCK-REAR	2WD 88-98	(2)	\$60.97
39-1606	KYB GR2 SHOCK-FRONT	4WD 1/2T 88-98	(2)	\$46.08
39-1606	KYB GR2 SHOCK-FRONT	"A" 4WD 3/4T 88-95	(2)	\$46.08
39-1605	KYB GR2 SHOCK-REAR	4WD 88-98	(2)	\$60.97

Note: "A" Fits models with production option C5Z, 7,200 lb. GVW.

Heavy-Duty Gas-Charged Shocks



Heavy-Duty (HD) Gas-Charged Shocks limit unsafe roll or sway when cornering and regain control of spring and suspension movement.

PART	DESCRIPTION	APPLICATION	REQD	PRICE
2 Wheel Drive Models				
34-2414	HD GAS-CHARGED SHOCK-FRONT	2WD 1/2T 88-98	(2)	\$29.95
34-2414	HD GAS-CHARGED SHOCK-FRONT	"A" 2WD 3/4T 88-98	(2)	\$29.95
34-2415	HD GAS-CHARGED SHOCK-FRONT	"B" 2WD 3/4T 88-98	(2)	\$31.45
34-2418	HD GAS-CHARGED SHOCK-REAR	2WD 88-98	(2)	\$32.95
4 Wheel Drive Models				
34-2416	HD GAS-CHARGED SHOCK-FRONT	4WD 1/2T 88-98	(2)	\$34.95
34-2416	HD GAS-CHARGED SHOCK-FRONT	"A" 4WD 3/4T 88-98	(2)	\$34.95
34-2417	HD GAS-CHARGED SHOCK-FRONT	"B" 4WD 3/4T 88-98	(2)	\$36.95
34-2418	HD GAS-CHARGED SHOCK-REAR	4WD 88-98	(2)	\$32.95

Note: "A" Fits models with production option C5Z, 7,200 lb. GVW.
"B" Fits models with production option C6P, 8,600 lb. GVW.

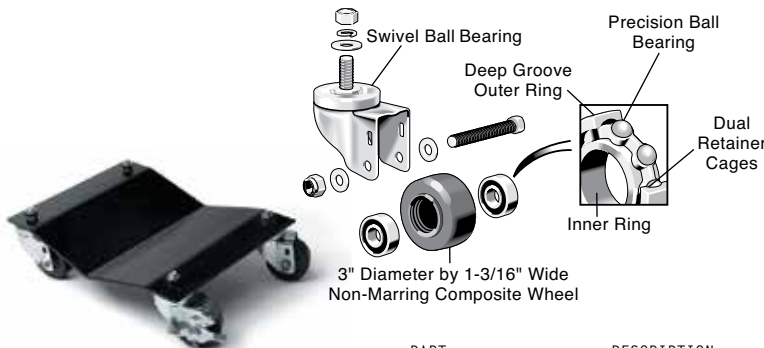
Front Leveling Kit ... For Better Looks and Larger Tires



Front Leveling Kit lifts the front of a truck to match the rear for an improved level height and look. Adding a Front Leveling Kit is inexpensive and gives the extra space needed to accommodate larger tires on a truck. A modest front lift still maintains the factory ride quality and won't affect steering or suspension. Quick and easy bolt-on installation, the kit is designed to work with the original suspension with no need to change other components. Allows installation of up to 32" tires.

PART	DESCRIPTION	APPLICATION	REQD	PRICE
37-7630	LEVEL KIT-TORSION KEYS-1.5"	4WD 1/2T 88-98	(1)	\$99.95
37-7638	TORSION KEY TOOL		(1)	\$99.95

Extra Heavy-Duty Auto Dolly Set Makes Moving Your Vehicle Easy



XHD Auto Dolly Set, with 7,000 lbs. rating, makes it easy for one person to move a car, truck or SUV into a tight spot. Made of 1/4" thick mild steel x 12" x 16" formed plate and features 3" diameter by 1-3/16" wide swivel ball bearing caster wheels, one equipped with locking safety brake. Use on level, smooth surfaces.

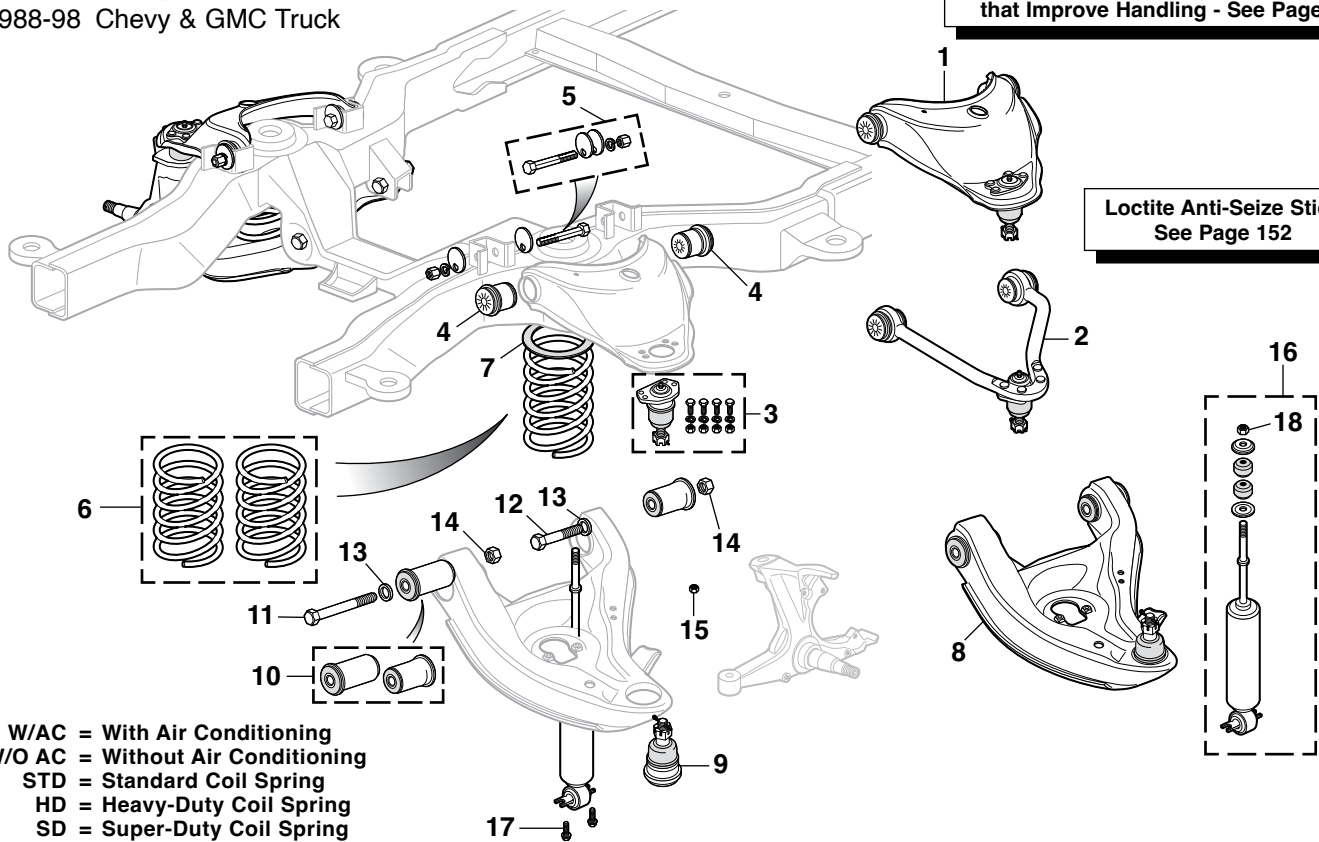
PART	DESCRIPTION	APPLICATION	PRICE
38-0328	XHD TRUCK DOLLY SET OF 4	7,000 LB CAPACITY	\$229.95

Front Suspension - 2 Wheel Drive

1988-98 Chevy & GMC Truck

Polyurethane Suspension Bushing Sets that Improve Handling - See Page 97

Loctite Anti-Seize Stick See Page 152



W/AC = With Air Conditioning
 W/O AC = Without Air Conditioning
 STD = Standard Coil Spring
 HD = Heavy-Duty Coil Spring
 SD = Super-Duty Coil Spring

Super-Duty Coil Springs provide additional stability and load capacity for trucks equipped with towing packages, campers and snow plows.

PART	ILL#	DESCRIPTION	APPLICATION	REQD	PRICE
35-2640	(1)	UPPER A-ARM ASSY-LH	2WD 1/2T 88-98	(1)	\$69.95
35-2641		UPPER A-ARM ASSY-RH	2WD 1/2T 88-98	(1)	\$69.95
35-2640		UPPER A-ARM ASSY-LH	"A" 2WD 3/4T 88-98	(1)	\$69.95
35-2641		UPPER A-ARM ASSY-RH	"A" 2WD 3/4T 88-98	(1)	\$69.95
35-2642	(2)	UPPER A-ARM ASSY-LH	"B" 2WD 3/4T 88-98	(1)	\$69.95
35-2643		UPPER A-ARM ASSY-RH	"B" 2WD 3/4T 88-98	(1)	\$69.95
35-1800	(3)	BALL JOINT ASSY-UPPER	2WD 1/2T 88-98	(2)	\$14.95
35-1800		BALL JOINT ASSY-UPPER	"A" 2WD 3/4T 88-98	(2)	\$14.95
35-1801		BALL JOINT ASSY-UPPER	"B" 2WD 3/4T 88-98	(2)	\$14.95
35-0280	(4)	BUSHING-UPPER	"C" 2WD 1/2T 88-95	(4)	\$5.95
35-0282		BUSHING-UPPER	"D" 2WD 1/2T 95-98	(4)	\$4.95
35-0280		BUSHING-UPPER	"A"C" 2WD 3/4T 88-95	(4)	\$5.95
35-0282		BUSHING-UPPER	"A"D" 2WD 3/4T 95-98	(4)	\$4.95
35-0280		BUSHING-UPPER	"B"C" 2WD 3/4T 88	(4)	\$5.95
35-0282		BUSHING-UPPER	"B"D" 2WD 3/4T 89-98	(4)	\$4.95
31-0100	(5)	CAM BOLT KIT	2WD 88-98	(4)	\$9.95

Matched Front Coil Spring Sets

35-2800	(6)	COIL SPRING SET-HD	7.4L 2WD 3/4T 92-98	(1)	\$145.95
35-2801		COIL SPRING SET-SD	7.4L 2WD 3/4T 92-98	(1)	\$134.45
35-2800		COIL SPRING SET-HD 6.5L DSL	2WD 3/4T 94-98	(1)	\$145.95
35-2801		COIL SPRING SET-SD 6.5L DSL	2WD 3/4T 94-98	(1)	\$134.45

Variable Rate Matched Front Coil Spring Sets

Variable Rate Coil Springs adjust to the load conditions in the truck providing a stabilized ride loaded or unloaded, plus improved handling.

35-2802		COIL SPRING SET-STD	4.3L 2WD 88-98	(1)	\$129.95
35-2802		COIL SPRING SET-STD	5.0L 2WD 1/2T 88-98	(1)	\$129.95
35-2802		COIL SPRING SET-HD	5.0L 2WD 1/2T 88-98	(1)	\$129.95
35-2803		COIL SPRING SET-HD	W/O AC 5.0L 2WD 1/2T 88-98	(1)	\$139.95
35-2803		COIL SPRING SET-HD	W/AC 5.0L 2WD 1/2T 88-98	(1)	\$139.95
35-2803		COIL SPRING SET-HD 5.0L 5.7L	2WD 3/4T 88-98	(1)	\$139.95
35-2804		COIL SPRING SET-SD 7.4L	2WD 3/4T 88-98	(1)	\$149.95
35-2803		COIL SPRING SET-STD 7.4L	2WD 1/2T 90-92	(1)	\$139.95

PART	ILL#	DESCRIPTION	APPLICATION	REQD	PRICE
29-0855	(7)	INSULATOR-SPRING	2WD	88-91 (2)	\$9.95
35-2600	(8)	LOWER A-ARM ASSY-LH	2WD	88-98 (1)	\$119.95
35-2601		LOWER A-ARM ASSY-RH	2WD	88-98 (1)	\$99.95
35-1700	(9)	BALL JOINT ASSY-LOWER	2WD	88-98 (2)	\$19.95
35-0270	(10)	BUSHING KIT-LOWER FRONT & REAR	2WD	88-98 (2)	\$14.75
31-0265	(11)	BOLT-LOWER-FRONT	2WD	88-98 (2)	\$5.95
31-0266	(12)	BOLT-LOWER-REAR	2WD	88-98 (2)	\$5.95
31-0602	(13)	WASHER	2WD	88-98 (8)	\$2.95
31-0881	(14)	TORQUE LOCK NUT	2WD	88-98 (4)	\$2.95
31-0882	(15)	NUT-BUMPER	2WD	88-98 (4)	\$1.35
34-2414	(16)	HD GAS-CHARGED SHOCK-FRONT	2WD 1/2T 88-98	(2)	\$29.95
34-2414		HD GAS-CHARGED SHOCK-FRT"A"	2WD 3/4T 88-98	(2)	\$29.95
34-2415		HD GAS-CHARGED SHOCK-FRT"B"	2WD 3/4T 88-98	(2)	\$31.45
39-1600		KYB GAS-A-JUST-SHOCK-FRONT	2WD	88-98 (2)	\$67.58
39-1604		KYB GR2 SHOCK-FRONT	2WD	88-98 (2)	\$58.54
31-0267	(17)	BOLT	2WD	88-98 (4)	\$9.95
29-0514	(18)	NUT	2WD	88-98 (2)	\$6.65

Note: "A" Fits models with production option C5Z, 7,200 lb. GVW.
 "B" Fits models with production option C6P, 8,600 lb. GVW.
 "C" Outer diameter of bushing is 41.2mm.
 "D" Outer diameter of bushing is 43mm.

Coil Spring Compressor

Remove and install coil springs with convenience and safety. Features safety U-bolt set, Acme threaded rods and ductile alloy cast hooks for safe and easy operation.



PART	DESCRIPTION	PRICE
34-2808	COIL SPRING COMPRESSOR	\$50.95

Front Suspension - 4 Wheel Drive

1988-98 Chevy & GMC Truck

See Illustration on Page 95

Gas-A-Just Shock Absorbers: Features higher gas pressure to provide unsurpassed control on even the most demanding roads. Eliminates the age old problem of performance fade by eliminating aeration and foaming, a problem with other shocks that use two-tube construction that allows air to mix with fluid.

GR-2 Gas Shock Absorbers: Features lower pressure for riding comfort with improved handling and response only gas shocks can provide at an economical price. The economical way to step up from hydraulic shocks to the quality ride and control of gas.

PO = Production Option

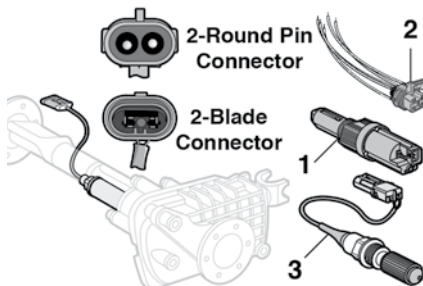
PART	ILL#	DESCRIPTION	APPLICATION	REQD	PRICE
Upper A-Arm					
35-2648	(1)	UPPER A-ARM ASSY-LH	"A" 4WD 3/4T	88-98 (1)	\$69.95
35-2649		UPPER A-ARM ASSY-RH	"A" 4WD 3/4T	88-98 (1)	\$89.95
35-1800	(2)	BALL JOINT ASSY-UPPER	4WD 1/2T	88-98 (2)	\$14.95
35-1800		BALL JOINT ASSY-UPPER	"B" 4WD 3/4T	88-95 (2)	\$14.95
35-1801		BALL JOINT ASSY-UPPER	"A" 4WD 3/4T	88-98 (2)	\$14.95
35-0280	(3)	BUSHING-UPPER	"C" 4WD	88-89 (4)	\$5.95
35-0282		BUSHING-UPPER	"D" 4WD	89-98 (4)	\$4.95
31-0100	(4)	CAM BOLT KIT	4WD	88-98 (4)	\$9.95
Steering Knuckle Components					
35-0100	(5)	SEAL-KNUCKLE	4WD 1/2T	88-98 (2)	\$5.95
35-0100		SEAL-KNUCKLE	"B" 4WD 3/4T	88-95 (2)	\$5.95
35-0101		SEAL-KNUCKLE	"A" 4WD 3/4T	88-98 (2)	\$8.95
31-0928	(6)	NUT-FRONT AXLE SHAFT	4WD	88-98 (2)	\$7.25
31-0929	(7)	WASHER-FRONT AXLE NUT	4WD	88-98 (2)	\$7.25
Lower A-Arm Components					
35-1702	(8)	BALL JOINT ASSY-LOWER	"E" 4WD	88-95 (2)	\$16.95
35-1703		BALL JOINT ASSY-LOWER	"F" 4WD	95 (2)	\$15.95
35-1703		BALL JOINT ASSY-LOWER	4WD 1/2T	96-98 (2)	\$15.95
35-1704		BALL JOINT ASSY-LOWER	4WD 3/4T	96-98 (2)	\$13.95
35-0271	(9)	BUSHING-LOWER-FRONT & REAR	4WD 1/2T	88-98 (2)	\$21.45
35-0271		BUSHING-LOWER-FRONT & REAR	4WD 3/4T	88-95 (2)	\$21.45
31-0266	(10)	BOLT-LOWER-FRONT	4WD	88-98 (2)	\$5.95
31-0265	(11)	BOLT-LOWER-REAR	4WD	88-98 (2)	\$5.95
31-0602	(12)	WASHER	4WD	88-98 (8)	\$2.95
31-0881	(13)	TORQUE LOCK NUT	4WD	88-98 (4)	\$2.95
31-0882	(14)	TORQUE LOCK NUT	4WD	88-98 (2)	\$1.35

PART	ILL#	DESCRIPTION	APPLICATION	REQD	PRICE
Torsion Bar					
35-2520	(15)	TORSION BAR-LH	PO 6GK 4WD	88-98 (1)	\$359.95
35-2521		TORSION BAR-RH	PO 7GK 4WD	88-98 (1)	\$349.95
35-2542	(16)	ADJUSTING ARM	PO FK2/FK3 4WD	88-98 (2)	\$47.75
35-2543		ADJUSTING ARM	PO FF4/FF5 4WD	88-98 (2)	\$46.95
35-2545		ADJUSTING ARM	PO FF8/FF9 4WD	88-98 (2)	\$47.45
31-0268	(17)	BOLT	4WD	88-98 (2)	\$2.95
29-0524	(18)	NUT	4WD	88-98 (2)	\$26.25
31-1811	(19)	INSULATOR	4WD	88-98 (2)	\$36.25
29-0206	(20)	BOLT-RETAINER	4WD	88-98 (4)	\$1.45
40-0819-C	(21)	NUT-RETAINER	4WD	88-98 (4)	\$.95
31-0270	(22)	BOLT-MOUNT	4WD	88-98 (2)	\$1.95
50-0811-D	(23)	NUT-MOUNT	4WD	88-98 (2)	\$.95
Shock Absorber					
34-2416	(24)	HD GAS-CHARGED SHOCK-FRONT	4WD 1/2T	88-98 (2)	\$34.95
34-2416		HD GAS-CHARGED SHOCK-FRT"B"	4WD 3/4T	88-98 (2)	\$34.95
34-2417		HD GAS-CHARGED SHOCK-FRT"A"	4WD 3/4T	88-98 (2)	\$36.95
39-1602		KYB GAS-A-JUST-SHOCK-FRONT	4WD	88-98 (2)	\$76.91
39-1606		KYB GR2 SHOCK-FRONT	4WD	88-98 (2)	\$46.08
31-0271	(25)	BOLT-UPPER	4WD	88-98 (2)	\$2.95
29-0413	(26)	WASHER	4WD	88-98 (2)	\$9.25
40-0870-C	(27)	TORQUE LOCK NUT	4WD	88-98 (2)	\$1.35
31-0272	(28)	BOLT-LOWER	4WD	88-98 (2)	\$2.95
29-0413	(29)	WASHER	4WD	88-98 (2)	\$9.25
40-0870-C	(30)	TORQUE LOCK NUT	4WD	88-98 (2)	\$1.35

Note: "A" Fits models with production option C6P, 8,600 lb. GVW.
 "B" Fits models with production option C5Z, 7,200 lb. GVW.
 "C" Outer diameter of bushing is 41.2mm.
 "D" Outer diameter of bushing is 43mm.
 "E" Replaces models with riveted ball joints, installation hardware included.
 "F" Replaces models with pressed-in ball joints.

4WD Front Axle Actuator

1988-98 Chevy & GMC Truck

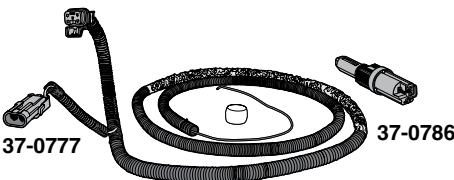


PART	ILL#	DESCRIPTION	PRICE
37-0786	(1)	ACTUATOR-ELECTRONIC	\$89.95
37-0771	(2)	CONNECTOR-ELEC ACTUATR	\$19.45
37-0787	(3)	ACTUATOR-THERMAL "A"	\$89.95
37-0797		ACTUATOR-THERMAL "B"	\$66.95

Note: "A" Fits models with 2-round pin connectors.
 "B" Fits models with 2-blade connectors.

4WD Actuator Harness Upgrade

1988-98 Chevy & GMC Truck

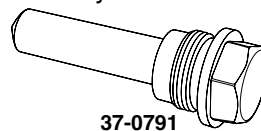


Upgrade your thermal actuator to a quicker, more dependable electronic actuator with this 4WD Actuator Harness Upgrade. Fits trucks equipped with a thermal front axle actuator using a two round pin connector. Electronic Actuator #37-0786, sold separately, is required to complete conversion.

PART	DESCRIPTION	PRICE
37-0777	ACTUATOR HARNESS UPGRADE	\$57.95
37-0786	ACTUATOR-ELECTRONIC	\$89.95

Front Axle Actuator Eliminator

1988-98 Chevy & GMC Truck



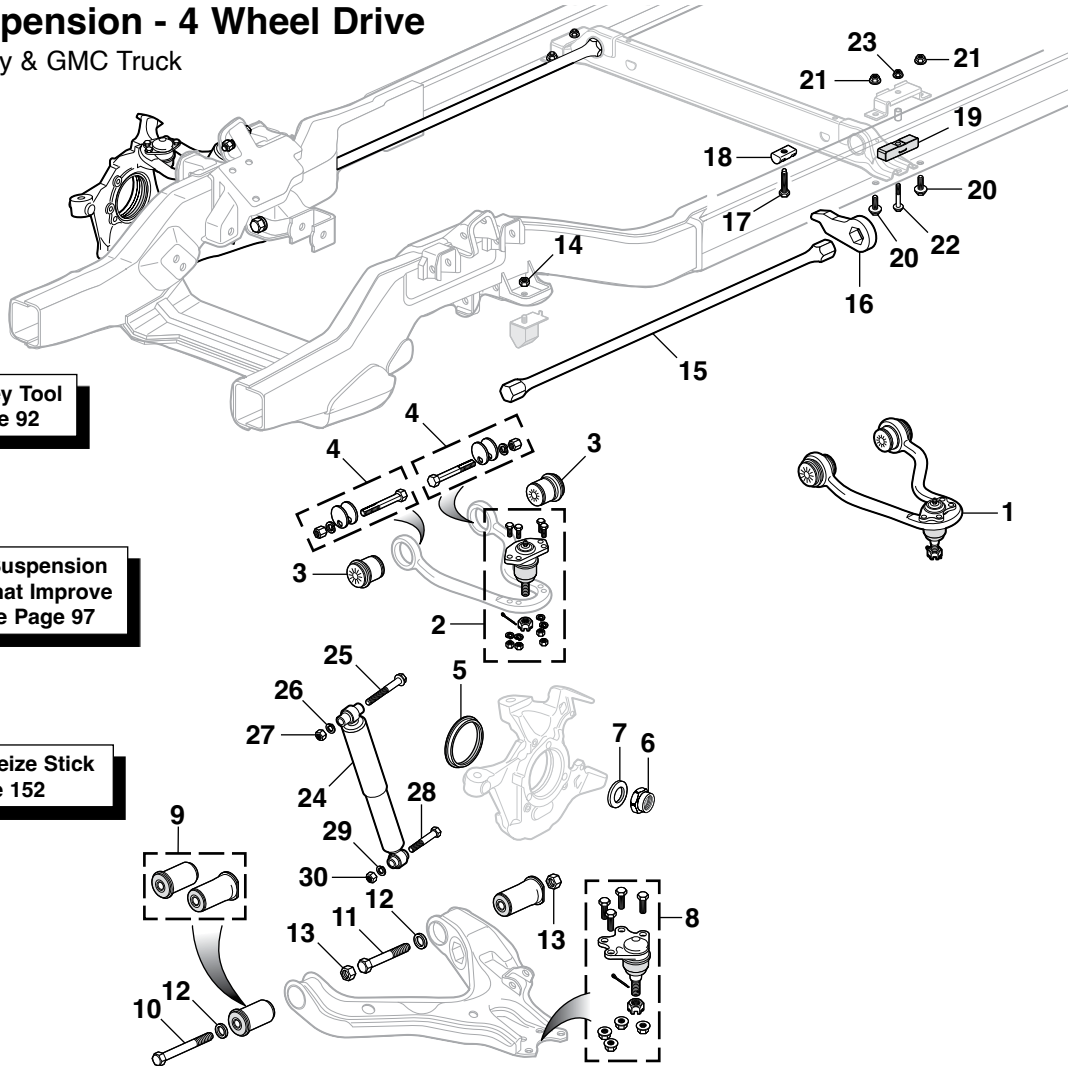
Four-wheel drive when you need it. With the actuator eliminator installed, the front driveline will turn anytime your front wheels are in motion, thus eliminating the lag time associated with thermal actuators and the need for forward motion to engage the 4WD system. The 4WD operating mode is still engaged and disengaged at the transfer case, on demand, by the driver. Call or go online and order yours today!

PART	DESCRIPTION	PRICE
37-0791	AXLE ACTUATOR ELIMINATOR"A"	\$180.95

Note: "A" Fits models with thermal actuator.

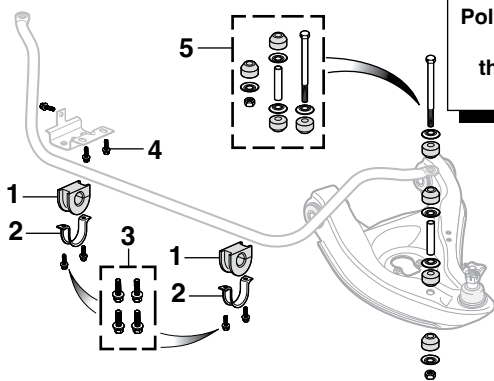
Front Suspension - 4 Wheel Drive

1988-98 Chevy & GMC Truck



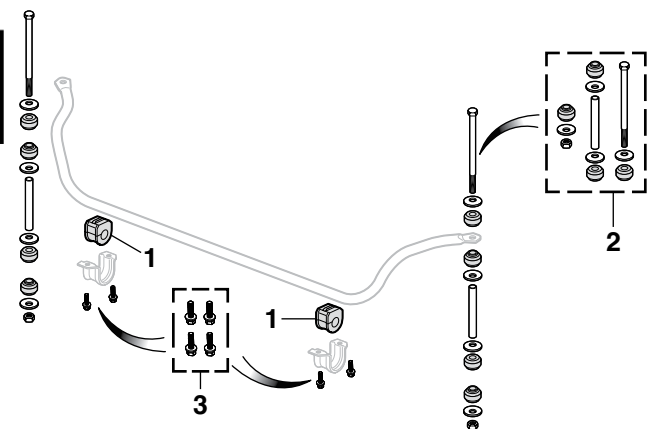
Front Sway Bar Components - 2WD

1988-98 Chevy & GMC Truck



Front Sway Bar Components - 4WD

1988-98 Chevy & GMC Truck

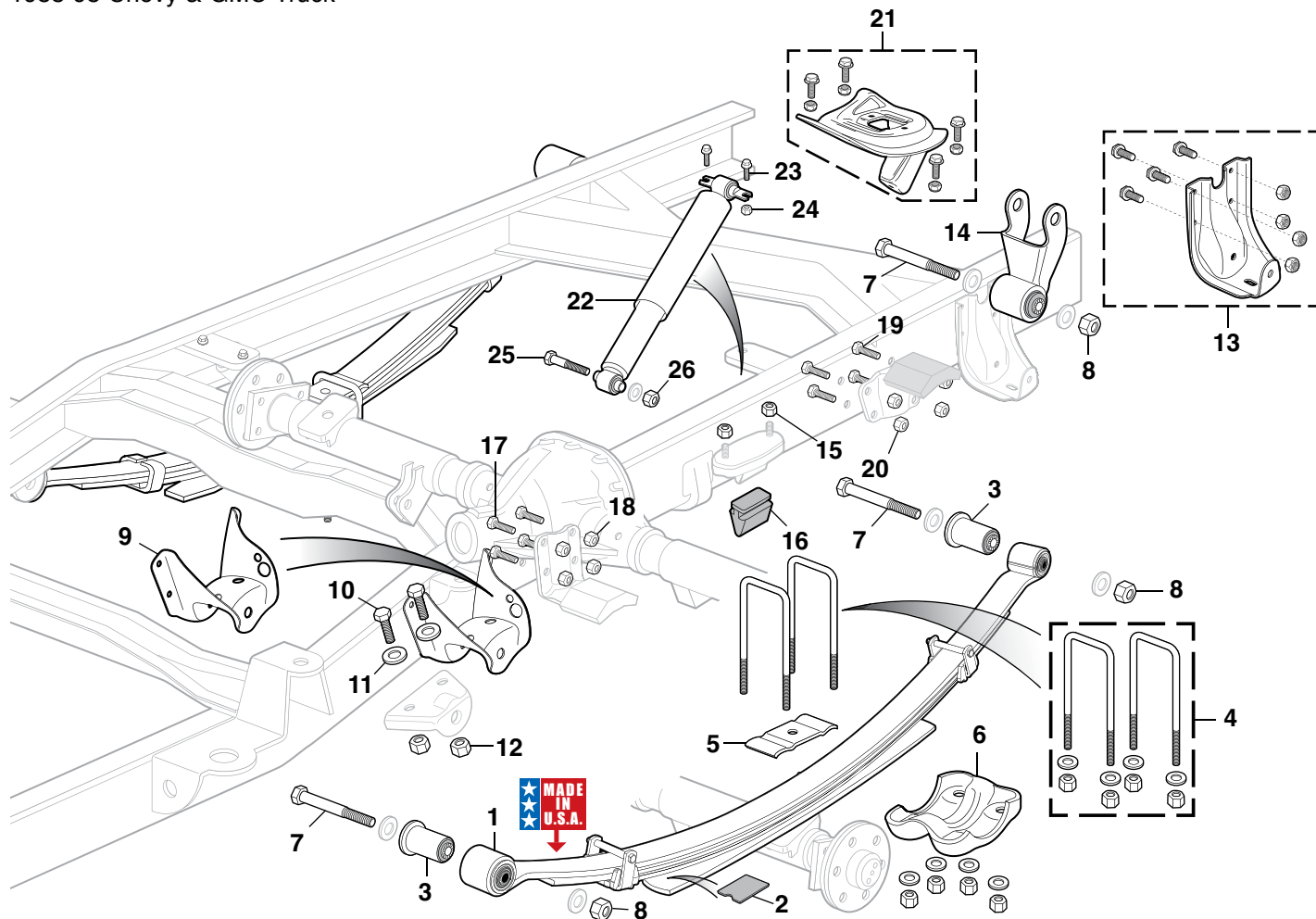


PART	ILL#	DESCRIPTION	APPLICATION	REQD	PRICE
34-0169	(1)	BUSHING-SWAY BAR	2WD	88-98 (2)	\$8.95
34-1386	(2)	BRACKET-SWAY BAR	2WD	88-98 (2)	\$4.95
29-0209	(3)	SWAY BAR BRACKET BOLT SET	2WD	88-98 (1)	\$24.95
31-0520	(4)	SCREW	2WD	88-98 (3)	\$1.95
35-0090	(5)	END LINK KIT	2WD	88-98 (2)	\$5.45

PART	ILL#	DESCRIPTION	APPLICATION	REQD	PRICE
35-0200	(1)	BUSHING-SWAY BAR	4WD	88-98 (2)	\$9.75
35-0092	(2)	END LINK KIT	4WD	88-98 (2)	\$8.95
29-0209	(3)	SWAY BAR BRACKET BOLT SET	4WD	88-98 (1)	\$24.95

Rear Suspension

1988-98 Chevy & GMC Truck



Loctite Anti-Seize Stick
See Page 152

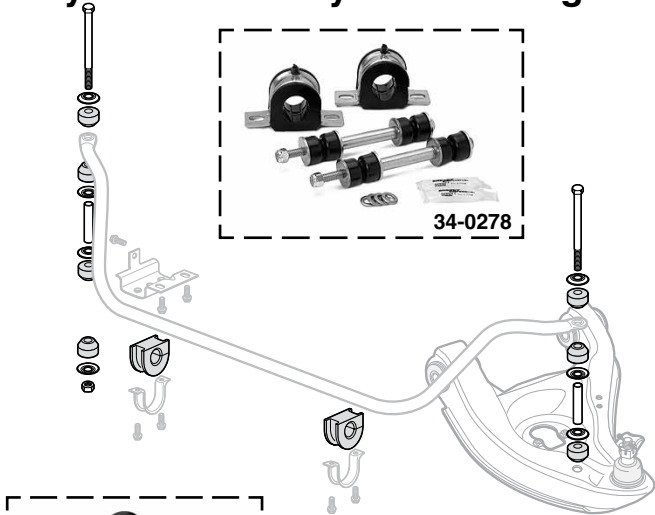
PART	ILL#	DESCRIPTION	APPLICATION	REQD	PRICE
35-2900	(1)	LEAF SPRING 4-LEAF	1/2T 88-98	(2)	\$239.95*
35-2901		LEAF SPRING 5-LEAF	"A" 3/4T 88-98	(2)	\$319.95*
35-2902		LEAF SPRING 6-LEAF	"B" 3/4T 88-98	(2)	\$354.95*
35-2878	(2)	LEAF SPRING INSERT	"C" CHEVY GMC 88-91	(4)	\$1.95
35-0208	(3)	BUSHING-SPRING EYE	CHEVY GMC 88-98	(4)	\$12.95
31-0492	(4)	U-BOLT SET	CHEVY GMC 88-98	(2)	\$31.95
35-1512	(5)	SPACER	1/2T 88-98	(2)	\$9.95
35-1513		SPACER	3/4T 88-98	(2)	\$7.95
35-1515	(6)	PLATE-SPRING ANCHOR	1/2T 88-98	(2)	\$24.95
35-1516		PLATE-SPRING ANCHOR	3/4T 88-98	(2)	\$19.95
31-0286	(7)	BOLT	CHEVY GMC 88-98	(6)	\$3.95
29-0512	(8)	TORQUE LOCK NUT	CHEVY GMC 88-98	(6)	\$1.95
35-1634	(9)	SPRING HANGER-FRONT	2WD 1/2T 88-98	(2)	\$91.95
35-1634		SPRING HANGER-FRONT	"A" 2WD 3/4T 88-98	(2)	\$91.95
35-1635		SPRING HANGER-FRONT	"B" 2WD 3/4T 88-98	(2)	\$109.95
35-1636		SPRING HANGER-FRONT	4WD 88-98	(2)	\$50.95
29-0231	(10)	BOLT	3/4T 88-98	(4)	\$.95
31-0605	(11)	FLAT WASHER	3/4T 88-98	(4)	\$.65
50-0811-D	(12)	LOCK NUT	3/4T 88-98	(4)	\$.95
35-1637	(13)	SPRING HANGER-REAR	2WD 1/2T 88-98	(2)	\$49.95
35-1637		SPRING HANGER-REAR	"A" 2WD 3/4T 88-98	(2)	\$49.95
35-1639		SPRING HANGER-REAR	4WD 88-98	(2)	\$34.95

PART	ILL#	DESCRIPTION	APPLICATION	REQD	PRICE
35-1524	(14)	SHACKLE	CHEVY GMC 88-98	(2)	\$24.95
50-0811-D	(15)	LOCK NUT	2WD 88-98	(4)	\$.95
30-1890	(16)	RUBBER BUMPER	"B" 2WD 3/4T 88-98	(2)	\$9.95
30-1890		RUBBER BUMPER	4WD 88-98	(2)	\$9.95
29-0206	(17)	BOLT	2WD 3/4T 90-95	(8)	\$1.45
40-0870-C	(18)	TORQUE LOCK NUT	2WD 3/4T 90-95	(8)	\$1.35
29-0206	(19)	BOLT	2WD 3/4T 90-95	(8)	\$1.45
40-0870-C	(20)	TORQUE LOCK NUT	2WD 3/4T 90-95	(8)	\$1.35
34-1316	(21)	SHOCK BRACKET-UPPER-LH	2WD 88-98	(1)	\$59.95
34-1317		SHOCK BRACKET-UPPER-RH	2WD 88-98	(1)	\$59.95
34-1314		SHOCK BRACKET-UPPER-LH	4WD 88-98	(1)	\$50.95
34-1315		SHOCK BRACKET-UPPER-RH	4WD 88-98	(1)	\$50.95
34-2418	(22)	HD GAS-CHARGED SHOCK-REAR	CHEVY GMC 88-98	(2)	\$32.95
39-1601		KYB GAS-A-JUST-SHOCK-REAR	CHEVY GMC 88-98	(2)	\$85.37
39-1605		KYB GR2 SHOCK-REAR	CHEVY GMC 88-98	(2)	\$60.97
31-0287	(23)	BOLT-UPPER	CHEVY GMC 88-98	(4)	\$.65
29-0517	(24)	LOCK NUT-UPPER	CHEVY GMC 88-98	(4)	\$1.35
31-0288	(25)	BOLT-LOWER	CHEVY GMC 88-98	(2)	\$3.95
29-0512	(26)	TORQUE LOCK NUT-LOWER	CHEVY GMC 88-98	(2)	\$1.95

Note: "A" Fits models with production option C5Z, 7,200 lb. GVW.
 "B" Fits models with production option C6P, 8,600 lb. GVW.
 "C" Leafs must be punched to accept the insert. Measures 2-1/2".

* Or ** after the sell price means your order will incur an Oversize Part Charge for each oversized part. * Means extra charge will be \$20. ** Means extra charge will be \$50. Due to packing and/or transportation requirements, please allow additional time for delivery. Oversized Parts are not available for air delivery.

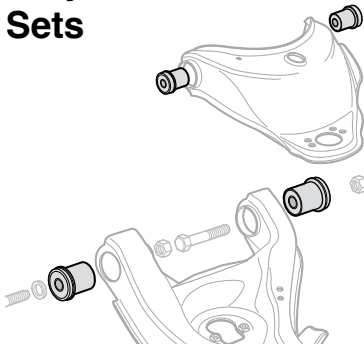
Polyurethane Sway Bar Bushing Sets



Polyurethane Sway Bar Bushings provide one of the best improvements in your truck's handling without upscaling your stabilizer bar.

PART	DESCRIPTION	APPLICATION	REQD	PRICE
34-0278	FRT SWAY BAR BUSHING SET 1-1/4"	2WD	88-98 (1)	\$46.27
34-0279	FRT SWAY BAR BUSHING SET 32MM	4WD	88-98 (1)	\$33.95

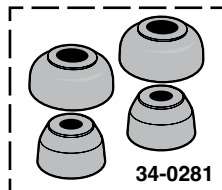
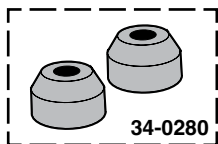
Polyurethane Control Arm Bushing Sets



Front Control Arm Bushings are a must for increased control on cornering. Bushings are pre-lubricated with a synthetic teflon compound that inhibits squeaks. Existing outer shells must be reused.

PART	DESCRIPTION	APPLICATION	REQD	PRICE
34-0272	CONTROL ARM BUSHING SET	2WD	88-98 (1)	\$69.95
34-0273	CONTROL ARM BUSHING SET	4WD	88-97 (1)	\$66.95
34-0274	CONTROL ARM BUSHING SET	4WD	98 (1)	\$81.76

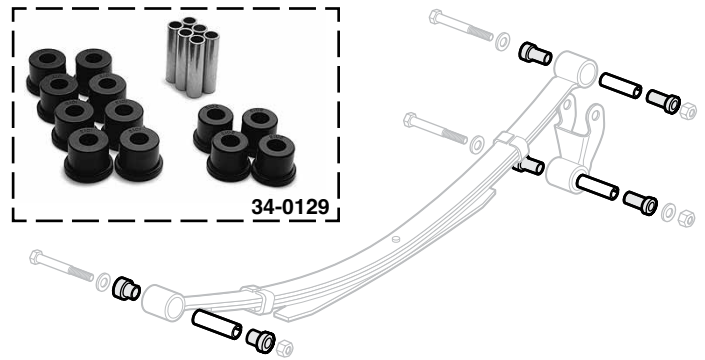
Polyurethane Tie Rod and Ball Joint Boots



Replacements for when disassembly ruins existing rubber boots. Lasts longer, seals longer and looks better. They seal out contaminants and prevent loss of lubricant.

PART	DESCRIPTION	APPLICATION	REQD	PRICE
34-0280	TIE ROD END BOOT SET	CHEVY GMC	88-98 (1)	\$4.91
34-0281	BALL JOINT DUST BOOT SET	2WD	88-98 (1)	\$6.95

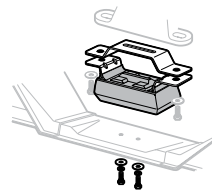
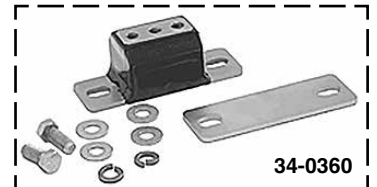
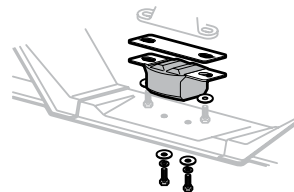
Polyurethane Leaf Spring Bushings



The combination of heavy-duty Leaf Springs and Polyurethane Spring Bushings allows proper suspension function in takeoff, cornering, braking and bumps. #34-0129 is for trucks with a 1-3/8" outer diameter frame shackle bushing. #34-0099 is for trucks with a 1-1/2" outer diameter frame shackle bushing. Please check yours before ordering.

PART	DESCRIPTION	APPLICATION	REQD	PRICE
34-0129	LEAF SPRING BUSHING SET	CHEVY GMC	88-98 (1)	\$59.95
34-0099	LEAF SPRING BUSHING SET	CHEVY GMC	88-98 (1)	\$59.95

Polyurethane Transmission Mounts



Transmission Mounts are soft enough for smooth operation on the street, yet strong enough for use at the drag strip, off-road and circle track.

#34-0360 has a unique built-in safety locking feature for added confidence. This Transmission Mount will work for trucks that have a single stud that mounts to the crossmember or two studs that mount to the crossmember.

PART	DESCRIPTION	APPLICATION	REQD	PRICE
34-0360	TRANSMISSION MOUNT AT 2WD 5.0L	88-98	(1)	\$29.75
34-0360	TRANSMISSION MOUNT 2WD 5.7L	88-98	(1)	\$29.75
34-0370	TRANSMISSION MOUNT AT 4WD 5.0L 5.7L 7.4L	88-98	(1)	\$81.21

Polyurethane Shock Bushing Sets



Give any shock maximum efficiency while extending its life. Polyurethane Shock Bushings last forever and enhance performance.

PART	DESCRIPTION	APPLICATION	REQD	PRICE
34-0283	FRONT BUSHING SET	2WD 1/2T	88-98 (1)	\$8.28
34-0284	REAR BUSHING SET	2WD 1/2T	88-98 (1)	\$10.55

3" Body Lift Kit ... Makes Room for Larger Tires



KYB Shock Absorbers
See Page 92

A Body Lift spaces the body away from the frame to make room for larger tires without altering the suspension. Body Lift Kit includes reinforced nylon spacers, compression tested to 50,000 psi and plated grade 5 hardware. Since the stock suspension is not affected, and larger tires are normally part of the plan, new shocks are recommended.

PART	DESCRIPTION	APPLICATION	REQD	PRICE
37-6503	3" BODY LIFT "A"B"	CHEVY GMC 88-94	(1)	\$299.00
37-6504	3" BODY LIFT "B"C"D"	CHEVY GMC 95-98	(1)	\$295.00
37-6540	FRONT BUMPER BRACKET KIT	CHEVY GMC 88-94	(1)	\$171.00
37-6541	REAR BUMPER RELOCATION KIT "E"	CHEVY GMC 88-98	(1)	\$141.00

Read This: Installation of a body lift will change the center of gravity and the handling characteristics of the vehicle. Because of the higher center of gravity and larger tires, the vehicle will handle and react differently both on and off road. You must drive it safely! Extreme care must be taken to prevent vehicle rollover or loss of control, which could result in serious injury or death. Avoid sudden sharp turns or abrupt maneuvers and always make sure all vehicle occupants have their seat belts fastened.

Note: "A" Requires front bumper bracket kit #37-6540, sold separately.
 "B" Will not fit models equipped with diesel engine.
 "C" Front bumper brackets are included.
 "D" Includes steering shaft extension.
 "E" Rear bumper brackets are to enhance appearance only, bumper cannot be used for towing.

Drop Spindle Sets



Order Parts Needed for Desired Drop
See Page 99

Drop Spindles are the best way to lower the front of a truck without changing or affecting other components. Original ride quality and suspension geometry are maintained.

PART	DESCRIPTION	APPLICATION	REQD	PRICE
37-8507	DROP SPINDLE SET-2" "A"	2WD 1/2T 88-91	(1)	\$299.95
37-8508	DROP SPINDLE SET-2" "B"	2WD 1/2T 88-98	(1)	\$299.95

Note: "A" For models equipped with 1" wide front brake rotors.
 "B" For models equipped with 1-1/4" wide front brake rotors.

Drop Shackles and Spring Hangers



The Drop Shackle Set lowers the rear of your truck 1" or 2". This is the simplest way to lower the rear and is an easy way to make your truck look more level.

The Drop Spring Hanger Set replaces the original front hangers and drops the rear of your truck an additional 2". Combined with the Drop Shackle Set, you can drop the truck a total of 3" to 4". If you are dropping the rear 4" or more then you need shorter rear drop shocks listed below.

PART	DESCRIPTION	APPLICATION	REQD	PRICE
37-8528	DROP SHACKLE SET-1"-2" REAR	2WD 1/2T 88-98	(1)	\$42.95
37-8527	DROP SPRING HANGER SET-2" FRONT	2WD 1/2T 88-98	(1)	\$139.95

Drop Shocks ... For Lowered Trucks



If dropping the front of a truck 2" or more with coil springs then shorter front shocks are needed. Drop Spindles do not affect suspension and do not require shorter shocks. If dropping the rear 4" or more then shorter rear shocks are needed.

PART	DESCRIPTION	APPLICATION	REQD	PRICE
37-8582	DROP SHOCK-FRONT	2WD 1/2T 88-98	(2)	\$61.95
37-8592	DROP SHOCK-REAR	2WD 1/2T 88-98	(2)	\$61.95

Drop Coil Spring Sets



Drop Coil Springs are a quick and easy way to lower a truck. Use just coils or combine with Drop Spindles for an even lower ride. If dropping the front of a truck 2" or more with coil springs then shorter front shocks are needed.

PART	DESCRIPTION	APPLICATION	REQD	PRICE
37-8517	DROP COIL SPRING SET-1" FRONT	2WD 1/2T 88-98	(1)	\$169.95
37-8518	DROP COIL SPRING SET-2" FRONT	2WD 1/2T 88-98	(1)	\$169.95

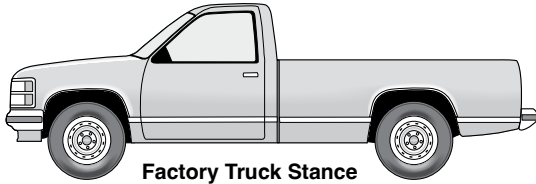
Axle Flip Kit and Frame C-Notch Kit



PART	DESCRIPTION	APPLICATION	REQD	PRICE
37-8537	AXLE FLIP KIT-6" DROP	2WD 1/2T 88-98	(1)	\$129.95
37-8538	FRAME C-NOTCH KIT	2WD 1/2T 88-98	(1)	\$149.95
37-8547	CARRIER BEARNG RELOCATOR EXT CAB	2WD 1/2T 88-98	(1)	\$39.95

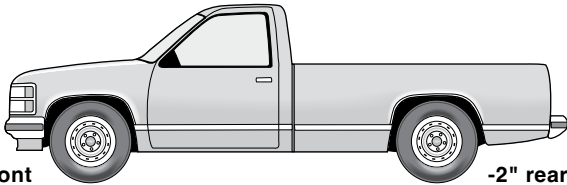
The Axle Flip Kit repositions the rear leaf spring below the axle for a 6" drop. You will also need the Frame C-Notch Kit for suspension travel. The C-Notch Kit requires cutting and drilling your frame. If you have an extended cab you will also need the Carrier Bearing Relocator. If you are dropping the rear 4" or more then you need shorter rear drop shocks.

3 Ways to Lower Your Truck



Factory Truck Stance

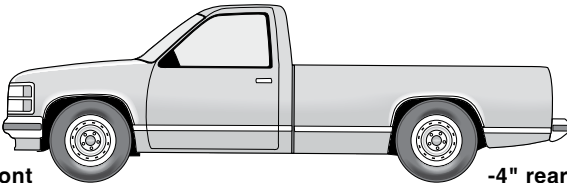
Drop is based on the original factory ride height as measured from the top of the wheel arch to the ground. Original ride height is approximately 2" higher in the rear. The stance (difference in height between the front and rear) is not affected when you lower the front and rear an equal amount. To make your truck look level you need to lower the rear approximately 2" more than the front.



-2" front

-2" rear

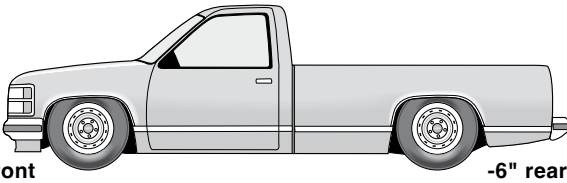
LOWER - Lower your truck with shorter Drop Coil Springs in the front and Spring Shackles in the rear. This is the most economical way to lower your truck.



-2" front

-4" rear

DROP - Drop the front of your truck with Drop Spindles and the rear with Spring Hangers and Shackles. Drop Spindles are the best way to lower your truck because they do not affect other suspension components. Original front suspension geometry and ride quality are maintained.



-4" front

-6" rear

SLAM - Combine Drop Spindles and Springs in the front with an Axle Flip Kit and C-Notch in the rear to take your truck as low as possible. We have the parts you need to slam your truck for a great look and a smooth ride. Take your truck to the maximum possible "lowness".

Lowering Kits

Coil Spring Lowering Kit

Kit contains:

- 2" Drop Coil Springs
- 2" Drop Rear Spring Hangers
- 2" Drop Rear Spring Shackles



PART	DESCRIPTION	APPLICATION	REQD	PRICE
37-8565	COIL SPRING LOWERING KIT-2"/4"	2WD 1/2T 88-98	(1)	\$349.95

Spindle Lowering Kit

Kit contains:

- 2" Drop Spindles
- 2" Drop Rear Spring Hangers
- 2" Drop Rear Spring Shackles



PART	DESCRIPTION	APPLICATION	REQD	PRICE
37-8566	SPINDLE LOWERING KIT-2"/4" "A"	2WD 1/2T 88-91	(1)	\$469.95
37-8567	SPINDLE LOWERING KIT-2"/4" "B"	2WD 1/2T 88-98	(1)	\$469.95

Note: "A" For models equipped with 1" wide front brake rotors.
"B" For models equipped with 1-1/4" wide front brake rotors.

Coil and Spindle Lowering Kit

Kit contains:

- 2" Drop Spindles
- 2" Drop Coil Springs
- 6" Drop Axle Flip Kit
- Frame C-Notch Kit



PART	DESCRIPTION	APPLICATION	REQD	PRICE
37-8568	COIL & SPINDLE LOWERING KIT 4"/6" "A"	2WD 1/2T 88-91	(1)	\$734.95
37-8569	COIL & SPINDLE LOWERING KIT 4"/6" "B"	2WD 1/2T 88-98	(1)	\$734.95

Note: "A" For models equipped with 1" wide front brake rotors.
"B" For models equipped with 1-1/4" wide front brake rotors.

Drop Chart

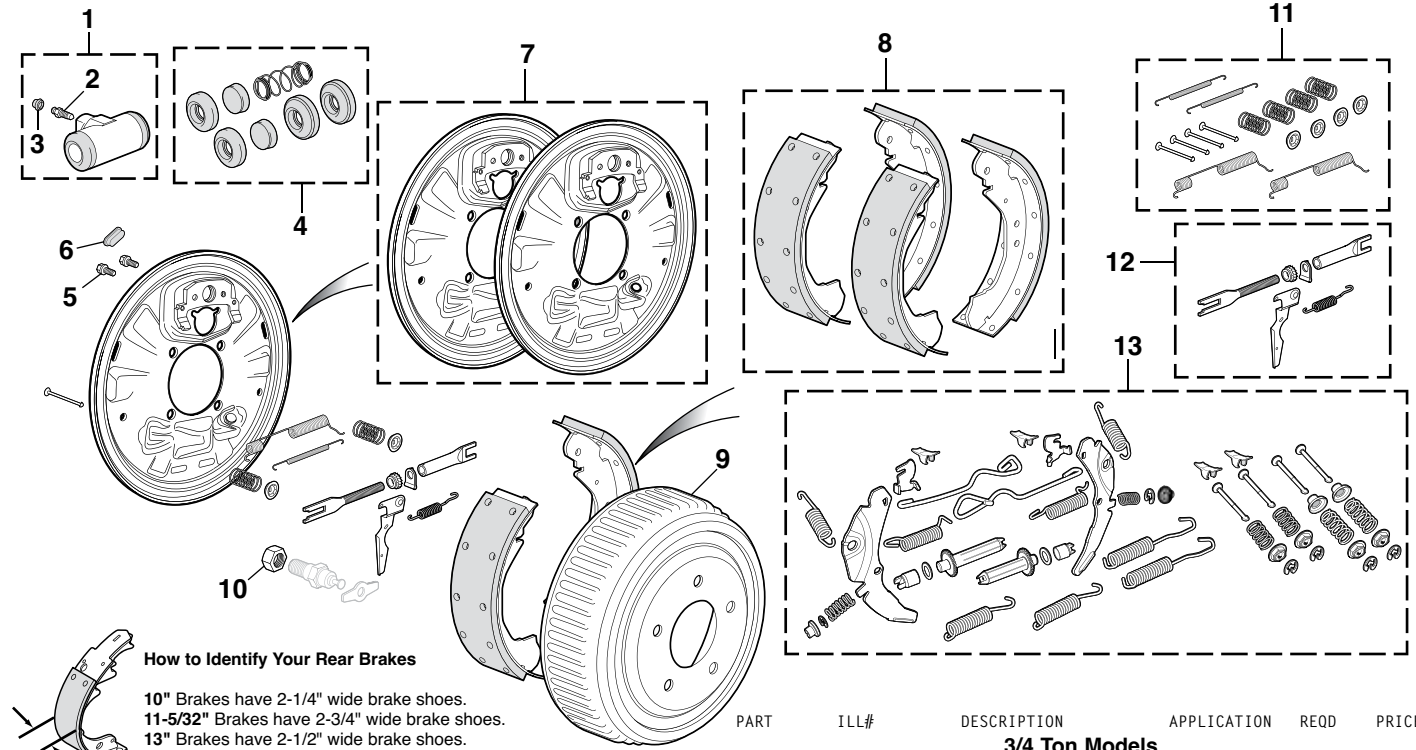
Use this chart to order the parts you need for the desired drop.

Year	Front/Rear Drop	Spindle Set: 2"	Front Springs	Hanger Set	Shackle Set	Flip Kit	Frame C-Notch	Front Shock	Rear Shock
2WD 1/2 ton 88-98 All	Lower 2" Rear				37-8528				
	Lower 1" / 2"		37-8517		37-8528				
	Lower 2" / 2"		37-8518		37-8528			37-8582	
	Lower 2" / 4"		37-8518	37-8527	37-8528			37-8582	37-8592
2WD 1/2 ton 88-98 1" Rotors	Drop 2" / 4"	37-8507		37-8527	37-8528				37-8592
	Slam 3" / 4"	37-8507	37-8517	37-8527	37-8528				37-8592
	Slam 4" / 4"	37-8507	37-8518	37-8527	37-8528			37-8582	37-8592
	Slam 4" / 6"	37-8507	37-8518			37-8537	37-8538	37-8582	37-8592
2WD 1/2 ton 88-98 1-1/4" Rotors	Drop 2" / 4"	37-8508		37-8527	37-8528				37-8592
	Slam 3" / 4"	37-8508	37-8517	37-8527	37-8528				37-8592
	Slam 4" / 4"	37-8508	37-8518	37-8527	37-8528			37-8582	37-8592
	Slam 4" / 6"	37-8508	37-8518			37-8537	37-8538	37-8582	37-8592

Note: If you are dropping the rear with an Axle Flip Kit and you have an extended cab, you will also need #37-8547 Carrier Bearing Relocator.

Rear Drum Brake Components

1988-98 Chevy & GMC Truck



How to Identify Your Rear Brakes

10" Brakes have 2-1/4" wide brake shoes.
 11-5/32" Brakes have 2-3/4" wide brake shoes.
 13" Brakes have 2-1/2" wide brake shoes.

PART	ILL#	DESCRIPTION	APPLICATION	REQD	PRICE
1/2 Ton Models					
35-4260	(1)	RR WHEEL CYL STD CAB "A"	1/2T 88-91	(2)	\$11.95
35-4261		RR WHEEL CYL STD CAB "B"	1/2T 88-91	(2)	\$9.95
35-4261		RR WHEEL CYL EXT CAB "D"	1/2T 88-91	(2)	\$9.95
35-4261		RR WHEEL CYL "C"	1/2T 92-98	(2)	\$9.95
35-4262		RR WHEEL CYL "D"	1/2T 92-98	(2)	\$8.95
35-4700	(2)	BLEEDER SCREW "C"	1/2T 88-98	(2)	\$1.95
35-4701		BLEEDER SCREW "D"	1/2T 88-98	(2)	\$2.45
35-4702	(3)	DUST CAP	1/2T 88-98	(2)	\$.65
35-3005	(4)	REPAIR KIT-RWC STD CAB "A"	1/2T 88-91	(2)	\$4.95
35-3006		REPAIR KIT-RWC STD CAB "B"	1/2T 88-91	(2)	\$4.95
35-3006		REPAIR KIT-RWC EXT CAB "A"	2WD 1/2T 88-91	(2)	\$4.95
35-3006		REPAIR KIT-RWC EXT CAB "A"	4WD 1/2T 88-91	(2)	\$4.95
35-3006		REPAIR KIT-RWC "C"	1/2T 92-98	(2)	\$4.95
31-0535	(5)	SCREW-RWC "C"	1/2T 88-91	(4)	\$14.95
31-0535		SCREW-RWC "C"	1/2T 92-98	(4)	\$14.95
31-1845	(6)	DUST COVER-RUBBER	1/2T 88-98	(AR)	\$3.25
35-3266	(7)	BACKPLATE SET-2PC "D"	1/2T 88-98	(1)	\$169.95
35-3500	(8)	BRAKE SHOE SET "C"	2WD 1/2T 88-91	(1)	\$27.95
35-3500		BRAKE SHOE SET STD CAB "C"	4WD 1/2T 88-91	(1)	\$27.95
35-3500		BRAKE SHOE SET EXT CAB "A"	4WD 1/2T 88-91	(1)	\$27.95
34-3528		BRAKE SHOE SET EXT CAB "B"	4WD 1/2T 88-91	(1)	\$37.95
35-3501		BRAKE SHOE SET "C"	2WD 1/2T 92-98	(1)	\$39.95
34-3528		BRAKE SHOE SET "D"	4WD 1/2T 92-98	(1)	\$37.95
35-3245	(9)	DRUM 5 LUG "C"	2WD 1/2T 88-98	(2)	\$84.95
35-3246		DRUM 6 LUG STD CAB "C"	4WD 1/2T 88-91	(2)	\$89.95
35-3246		DRUM 6 LUG EXT CAB "A"	4WD 1/2T 88-91	(2)	\$89.95
35-3247		DRUM 6 LUG EXT CAB "B"	4WD 1/2T 88-91	(2)	\$139.95
35-3247		DRUM 6 LUG "D"	4WD 1/2T 92-98	(2)	\$139.95
30-0940	(10)	TORQUE LOCK NUT "D"	1/2T 88-98	(2)	\$1.55
35-3020	(11)	BRAKE DRUM KIT "C"	1/2T 88-98	(1)	\$10.45
35-3032	(12)	SELF ADJ REPAIR KIT-LH "C"	1/2T 88-98	(1)	\$16.95
35-3033		SELF ADJ REPAIR KIT-RH "C"	1/2T 88-98	(1)	\$16.95
34-3097	(13)	BRAKE KIT-COMPLETE "D"	1/2T 88-98	(1)	\$26.45
3/4 Ton Models					
35-4262	(1)	REAR WHEEL CYL "D"	3/4T 88-98	(2)	\$8.95
34-4244		REAR WHEEL CYL "E"	3/4T 89-98	(2)	\$8.45
35-4701	(2)	BLEEDER SCREW	3/4T 88-98	(2)	\$2.45
35-4702	(3)	DUST CAP	3/4T 88-98	(2)	\$.65
35-3266	(7)	BACKPLATE SET-2PC "D"	3/4T 88-98	(1)	\$169.95
34-3528	(8)	BRAKE SHOE SET "D"	3/4T 88-98	(1)	\$37.95
34-3534		BRAKE SHOE SET "E"	3/4T 89-98	(1)	\$67.95
35-3247	(9)	DRUM 6 LUG "D"	3/4T 88-98	(2)	\$139.95
34-3974		DRUM 8 LUG "E"	3/4T 89-91	(2)	\$163.95
34-3974		DRUM 8 LUG "E"	3/4T 92-95	(2)	\$163.95
34-3970		DRUM 8 LUG "E"	3/4T 92-95	(2)	\$139.95
34-3970		DRUM 8 LUG "E"	3/4T 96-98	(2)	\$139.95
30-0940	(10)	TORQUE LOCK NUT	3/4T 88-98	(2)	\$1.55
34-3096	(11)	BRAKE DRUM KIT "E"	3/4T 89-98	(1)	\$6.45
34-3018	(12)	SELF ADJ REPAIR KIT-LH "E"	3/4T 89-98	(1)	\$15.95
34-3019		SELF ADJ REPAIR KIT-RH "E"	3/4T 89-98	(1)	\$15.95
34-3097	(13)	BRAKE KIT-COMPLETE "D"	3/4T 88-98	(1)	\$26.45

Note: "A" Fits models without Heavy-Duty Chassis - production option F44.
 "B" Fits models with Heavy-Duty Chassis - production option F44.
 "C" With 10" x 2-1/4" brake shoes.
 "D" With 11-5/32" x 2-3/4" brake shoes.
 "E" With 13" x 2-1/2" brake shoes.
 "F" Fits models without full floating rear axle - production option 1TA.
 "G" Fits models with full floating rear axle - production option 1TA.

Brake Shoe Adjustment Tool

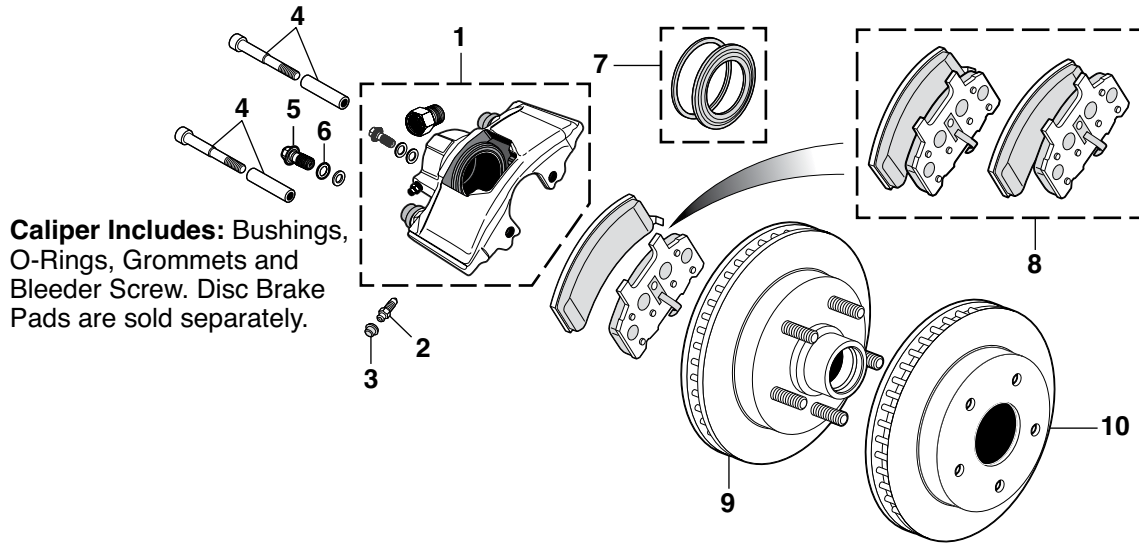


Brake Shoe Adjustment Tool adjusts the clearance between the brake drum and the brake shoe through the backing plate (providing the manufacturer has made provisions). Simply remove the rubber plug to access the star adjustment bar without having to remove the drum.

PART	DESCRIPTION	REQD	PRICE
38-1291	BRAKE SHOE ADJUSTMENT TOOL	(1)	\$6.95

Front Disc Brake Components

1988-98 Chevy & GMC Truck



Performance Disc Brake Pads See Below

PART	ILL#	DESCRIPTION		APPLICATION	REQD	PRICE
35-3904-R	(1)	CALIPER-REMAN-LH	"A"	1/2T 88-91	(1)	\$39.45
35-3905-R		CALIPER-REMAN-RH	"A"	1/2T 88-91	(1)	\$39.45
35-3906-R		CALIPER-REMAN-LH	"B"	1/2T 88-91	(1)	\$67.95
35-3907-R		CALIPER-REMAN-RH	"B"	1/2T 88-91	(1)	\$67.95
35-3906-R		CALIPER-REMAN-LH	EXTCAB	1/2T 88-91	(1)	\$67.95
35-3907-R		CALIPER-REMAN-RH	EXTCAB	1/2T 88-91	(1)	\$67.95
35-3906-R		CALIPER-REMAN-LH		1/2T 92-98	(1)	\$67.95
35-3907-R		CALIPER-REMAN-RH		1/2T 92-98	(1)	\$67.95
35-3906-R		CALIPER-REMAN-LH		3/4T 88	(1)	\$67.95
35-3907-R		CALIPER-REMAN-RH		3/4T 88	(1)	\$67.95
35-3906-R		CALIPER-REMAN-LH	"C"	3/4T 89-98	(1)	\$67.95
35-3907-R		CALIPER-REMAN-RH	"C"	3/4T 89-98	(1)	\$67.95
35-3908-R		CALIPER-REMAN-LH	"D"	3/4T 89-98	(1)	\$69.45
35-3909-R		CALIPER-REMAN-RH	"D"	3/4T 89-98	(1)	\$69.45
35-4700	(2)	BLEEDER SCREW	CHEVY GMC	88-98	(2)	\$1.95
35-4702	(3)	DUST CAP	CHEVY GMC	88-98	(2)	\$.65
35-4703	(4)	CALIPER BOLT	CHEVY GMC	88-98	(4)	\$4.95
31-0301	(5)	BOLT-HOSE TO CALIPER	CHEVY GMC	88-98	(2)	\$2.95
31-0607	(6)	COPPER WASHER-BOLT	CHEVY GMC	88-98	(4)	\$.95
35-3000	(7)	REPAIR KIT-CALIPER	"A"	1/2T 88-91	(2)	\$4.45
35-3001		REPAIR KIT-CALIPER	"B"	1/2T 88-91	(2)	\$4.95
35-3001		REPAIR KIT-CALIPER	EXT CAB	1/2T 88-91	(2)	\$4.95
35-3001		REPAIR KIT-CALIPER		1/2T 92-98	(2)	\$4.95
35-3001		REPAIR KIT-CALIPER		3/4T 88	(2)	\$4.95
35-3001		REPAIR KIT-CALIPER	"C"	3/4T 89-98	(2)	\$4.95
35-3002		REPAIR KIT-CALIPER	"D"	3/4T 89-98	(2)	\$6.95

PART	ILL#	DESCRIPTION		APPLICATION	REQD	PRICE
35-3300	(8)	DISC BRAKE PAD SET	"A"	1/2T 88-91	(1)	\$24.95
35-3301		DISC BRAKE PAD SET	"B"	1/2T 88-91	(1)	\$28.95
35-3301		DISC BRAKE PAD SET	EXT CAB	1/2T 88-91	(1)	\$28.95
35-3301		DISC BRAKE PAD SET		1/2T 92-98	(1)	\$28.95
35-3301		DISC BRAKE PAD SET		3/4T 88	(1)	\$28.95
35-3301		DISC BRAKE PAD SET	"C"	3/4T 89-98	(1)	\$28.95
35-3302		DISC BRAKE PAD SET	"D"	3/4T 89-98	(1)	\$24.95
35-3230	(9)	ROTOR W/HUB 5 LUG	"A"	2WD 1/2T 88-91	(2)	\$89.95
35-3232		ROTOR W/HUB 5 LUG		2WD 1/2T 95-98	(2)	\$71.45
35-3233		ROTOR W/HUB 6 LUG		2WD 3/4T 88	(2)	\$109.95
35-3233		ROTOR W/HUB 6 LUG	"C"	2WD 3/4T 89-94	(2)	\$109.95
35-3240	(10)	ROTOR	6 LUG	"A" 4WD 1/2T 88-91	(2)	\$53.95
35-3241		ROTOR	6 LUG	"B" 4WD 1/2T 88-91	(2)	\$47.95
35-3241		ROTOR	6 LUG	EXT CAB 4WD 1/2T 88-91	(2)	\$47.95
35-3241		ROTOR	6 LUG	4WD 1/2T 92-98	(2)	\$47.95
35-3241		ROTOR	6 LUG	"C" 4WD 3/4T 88-95	(2)	\$47.95
35-3242		ROTOR	8 LUG	"D" 4WD 3/4T 88-98	(2)	\$40.45

Note: "A" Fits models without Heavy-Duty Chassis - production option F44.
 "B" Fits models with Heavy-Duty Chassis - production option F44.
 "C" Fits models with production option C5Z, 7,200 lb. GVW.
 "D" Fits models with production option C6P, 8,600 lb. GVW.

Performance Non-Asbestos Disc Pads Deliver the Performance You Need

Extreme Performance Non-Asbestos Disc Brake Pads are proven performers that deliver the high braking performance you need, on demand under normal and rigorous driving conditions.

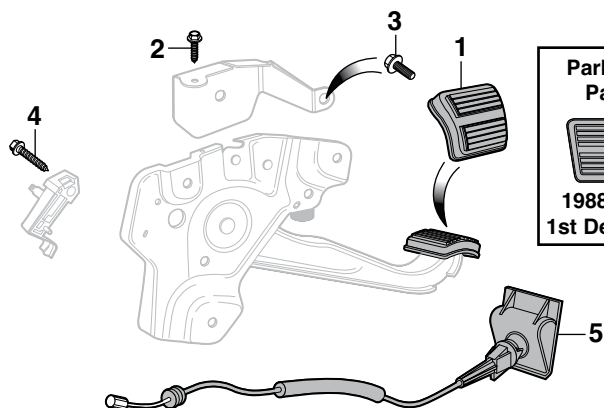
PART	DESCRIPTION		APPLICATION	REQD	PRICE
34-3342	PERFORMANCE BRAKE PADS	"A"	1/2T 88-91	(1)	\$54.95
34-3343	PERFORMANCE BRAKE PADS	"B"	1/2T 88-91	(1)	\$49.45
34-3343	PERFORMANCE BRAKE PADS	EXT CAB	1/2T 88-91	(1)	\$49.45
34-3343	PERFORMANCE BRAKE PADS		1/2T 92-98	(1)	\$49.45
34-3343	PERFORMANCE BRAKE PADS		3/4T 88	(1)	\$49.45
34-3343	PERFORMANCE BRAKE PADS	"C"	3/4T 89-98	(1)	\$49.45
34-3344	PERFORMANCE BRAKE PADS	"D"	3/4T 89-98	(1)	\$64.95



Note: "A" Fits models without Heavy-Duty Chassis - production option F44.
 "B" Fits models with Heavy-Duty Chassis - production option F44.
 "C" Fits models with production option C5Z, 7,200 lb. GVW.
 "D" Fits models with production option C6P, 8,600 lb. GVW.

Parking Brake Pedal Components - 1st Design

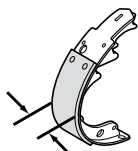
1988-94 Chevy & GMC Truck



Parking Brake Pedal Pad Identification

1988-94 1st Design	1994-98 2nd Design

PART	ILL#	DESCRIPTION	APPLICATION	REQD	PRICE
29-1553	(1)	PEDAL PAD	1ST CHEVY GMC 88-94	(1)	\$4.45
30-0533	(2)	SCREW-SHIELD	CHEVY GMC 88-94	(1)	\$.95
31-0520	(3)	BOLT-MOUNT	CHEVY GMC 88-94	(3)	\$1.95
31-0531	(4)	SCREW	CHEVY GMC 88-94	(1)	\$.65
31-1460	(5)	BRAKE RELEASE CABLE W/HANDL	CHEVY GMC 88-93	(1)	\$9.95

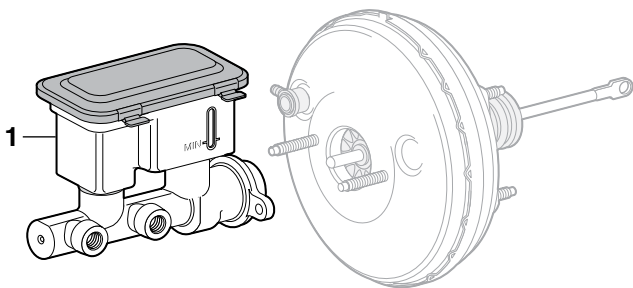


How to Identify Your Rear Brakes

- 10" Brakes have 2-1/4" wide brake shoes.
- 11-5/32" Brakes have 2-3/4" wide brake shoes.
- 13" Brakes have 2-1/2" wide brake shoes.

Brake Master Cylinder

1988-98 Chevy & GMC Truck



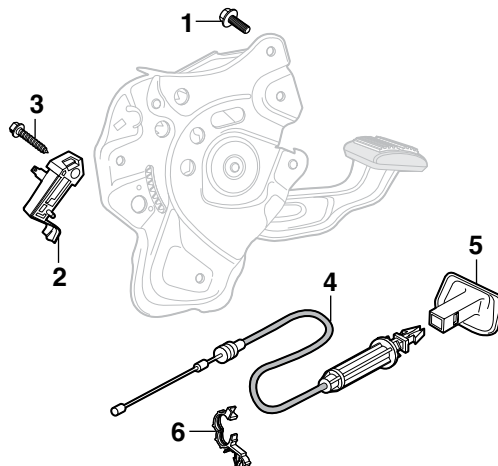
PWR = Power Brakes

PART	ILL#	DESCRIPTION	APPLICATION	REQD	PRICE
35-4041	(1)	BRAKE MASTER CYL PWR	"A" 1/2T 88-91	(1)	\$49.95
35-4042		BRAKE MASTER CYL PWR	"B" CHEVY GMC 88-91	(1)	\$42.95
35-4043		BRAKE MASTER CYL	"C" 3/4T 90-91	(1)	\$62.95
35-4043		BRAKE MASTER CYL PWR DIESEL	CHEVY GMC 88-91	(1)	\$62.95
35-4042		BRAKE MASTER CYL	"D" CHEVY GMC 92-93	(1)	\$42.95
35-4043		BRAKE MASTER CYL	"E" CHEVY GMC 92-93	(1)	\$62.95
35-4044		BRAKE MASTER CYL	"D" CHEVY GMC 94-98	(1)	\$47.95
35-4045		BRAKE MASTER CYL	"E" CHEVY GMC 94-98	(1)	\$59.95

Note: "A" Fits models without Heavy-Duty Chassis - production option F44.
 "B" Fits models with Heavy-Duty Chassis - production option F44.
 "C" Fits models with production option C6P, 8,600 lb. GVW.
 "D" With 10" x 2-1/4" or 11-5/32" x 2-3/4" brake shoes.
 "E" With 13" x 2-1/2" brake shoes.

Parking Brake Pedal Components - 2nd Design

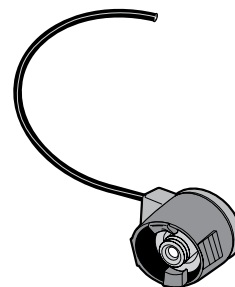
1994-98 Chevy & GMC Truck



PART	ILL#	DESCRIPTION	APPLICATION	REQD	PRICE
31-0520	(1)	BOLT-MOUNT	CHEVY GMC 94-98	(3)	\$1.95
37-0653	(2)	SWITCH-PARKING BRAKE	CHEVY GMC 94-98	(1)	\$7.45
31-0531	(3)	SCREW	CHEVY GMC 94-98	(1)	\$.65
31-1461	(4)	RELEASE CABLE	CHEVY GMC 95-98	(1)	\$10.45
31-1462	(5)	RELEASE HANDLE	CHEVY GMC 95-98	(1)	\$7.95
31-1606	(6)	CLIP	CHEVY GMC 95-98	(1)	\$3.25

Proportioning Valve Switch Connector

1988-94 Chevy & GMC Truck



PART	DESCRIPTION	APPLICATION	REQD	PRICE
36-3778	CONNECTOR-PROPORTIONING VALVE	CHEVY GMC 88-94	(1)	\$5.75

Gift Cards Now Available

Call (800) 562-8782
 Available in \$25 - \$50 - \$100

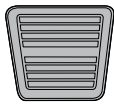
- Gift Cards are the perfect gift to ensure you are giving exactly what they want!
- Gift Cards don't expire.
- Orders must be pre-paid. Orders received before 3:00 p.m. Central Time will ship same day.
- Gift Cards can now be redeemed through the mail or by phone.



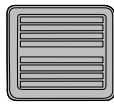
Parking Brake Cables and Components

1988-98 Chevy & GMC Truck

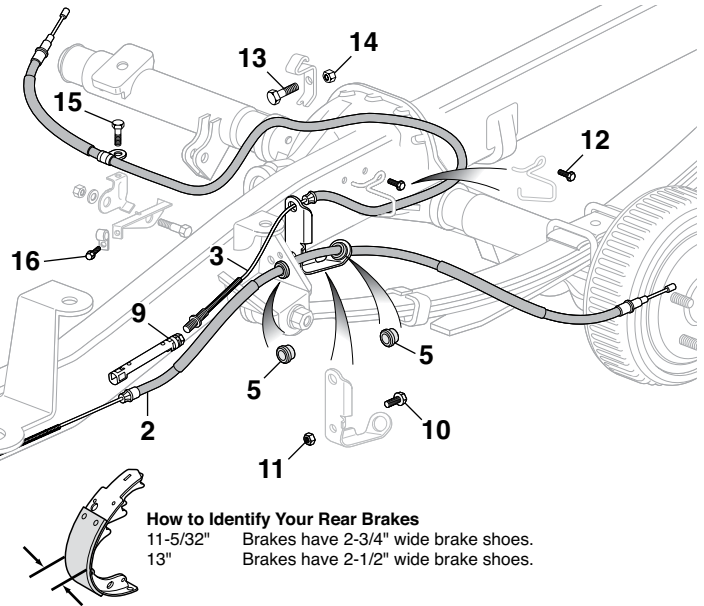
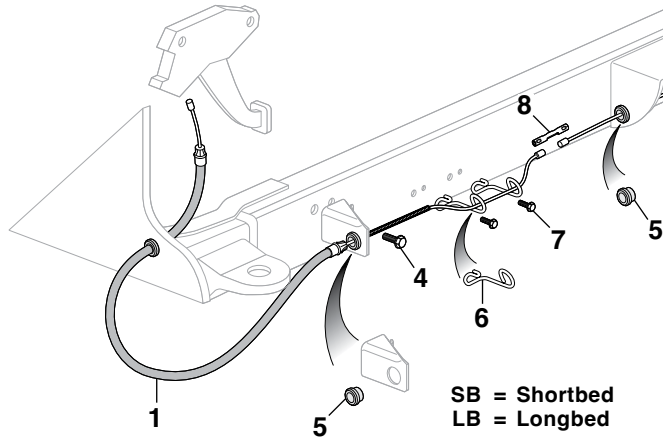
Parking Brake Pedal Pad Identification



1988-94
1st Design



1994-98
2nd Design



How to Identify Your Rear Brakes
11-5/32" Brakes have 2-3/4" wide brake shoes.
13" Brakes have 2-1/2" wide brake shoes.

How to Identify Your 1992 Rear Brake Cable:

1992 models have a label attached to the brake cable. The label has three numbers printed on it that are referred to as the ID Number. Please order by matching the numbers on your rear brake cable with the correct part number.

PART	ILL#	DESCRIPTION	SB	APPLICATION	REQD	PRICE
35-4500	(1)	FRONT CABLE-STD CAB	SB	1/2T 88-89	(1)	\$19.95
35-4501		FRONT CABLE-STD CAB	SB "A"	1/2T 90-94	(1)	\$18.95
35-4502		FRONT CABLE-STD CAB	SB "B"	1/2T 94-98	(1)	\$16.95
35-4504		FRONT CABLE-STD CAB	LB	CHEVY GMC 88-89	(1)	\$14.95
35-4505		FRONT CABLE-STD CAB	LB "A"	CHEVY GMC 90-94	(1)	\$17.95
35-4506		FRONT CABLE-STD CAB	LB "B"	CHEVY GMC 94-98	(1)	\$23.95
35-4508		FRONT CABLE-EXT CAB	SB	CHEVY GMC 89	(1)	\$21.45
35-4509		FRONT CABLE-EXT CAB	SB "A"	CHEVY GMC 90-94	(1)	\$19.95
35-4510		FRONT CABLE-EXT CAB	SB "B"	CHEVY GMC 94-98	(1)	\$21.25
35-4512		FRONT CABLE-EXT CAB	LB	CHEVY GMC 88-89	(1)	\$21.95
35-4513		FRONT CABLE-EXT CAB	LB "A"	CHEVY GMC 90-94	(1)	\$17.95
35-4514		FRONT CABLE-EXT CAB	LB "B"	CHEVY GMC 94-98	(1)	\$19.95
35-4520	(2)	REAR CABLE-LH		1/2T 88-89	(1)	\$14.95
35-4521	(3)	REAR CABLE-RH		1/2T 88-89	(1)	\$22.95
35-4522		REAR CABLE-LH	"C"	1/2T 90-92	(1)	\$17.45
35-4521		REAR CABLE-RH	"D"	1/2T 90-92	(1)	\$22.95
35-4524		REAR CABLE-LH	"E"	1/2T 92-98	(1)	\$19.95
35-4525		REAR CABLE-RH	"F"	1/2T 92-98	(1)	\$27.95
35-4526		REAR CABLE-LH		3/4T 88	(1)	\$18.95
35-4527		REAR CABLE-RH		3/4T 88	(1)	\$23.95
35-4526		REAR CABLE-LH	"G"	3/4T 89	(1)	\$18.95
35-4527		REAR CABLE-RH	"G"	3/4T 89	(1)	\$23.95

SB = Shortbed
LB = Longbed

PART	ILL#	DESCRIPTION	APPLICATION	REQD	PRICE
35-4528		REAR CABLE-LH	"H" 3/4T 89	(1)	\$27.95
35-4529		REAR CABLE-RH	"H" 3/4T 89	(1)	\$17.95
35-4530		REAR CABLE-LH	"I" 3/4T 90-98	(1)	\$14.95
35-4527		REAR CABLE-RH	"I" 3/4T 90-98	(1)	\$23.95
35-4532		REAR CABLE-LH	"J" 3/4T 90-95	(1)	\$15.95
35-4529		REAR CABLE-RH	"J" "K" 3/4T 90-95	(1)	\$17.95
35-4533		REAR CABLE-RH	"J" "L" 3/4T 90-95	(1)	\$24.95
35-4534		REAR CABLE-LH	"J" 3/4T 96-98	(1)	\$19.95
35-4529		REAR CABLE-RH	"J" "K" 3/4T 96-98	(1)	\$17.95
35-4533		REAR CABLE-RH	"J" "L" 3/4T 96-98	(1)	\$24.95
29-0271	(4)	BOLT	CHEVY GMC 88-98	(1)	\$1.25
34-3130	(5)	GROMMET	CHEVY GMC 88-98	(AR)	\$3.95
35-3104	(6)	GUIDE-FRONT CABLE	CHEVY GMC 96-98	(2)	\$7.21
29-0271	(7)	BOLT	CHEVY GMC 96-98	(2)	\$1.25
34-3801	(8)	CONNECTOR	CHEVY GMC 88-98	(1)	\$3.95
35-3102	(9)	EQUALIZER	CHEVY GMC 88-98	(1)	\$12.95
29-0271	(10)	BOLT	"H" 3/4T 89-95	(1)	\$1.25
50-0811-D	(11)	NUT	"H" 3/4T 89-95	(1)	\$.95
31-0520	(12)	SCREW-REAR CABLE GUIDE	CHEVY GMC 88-98	(1)	\$1.95
31-0300	(13)	BOLT	CHEVY GMC 88-98	(1)	\$.95
30-0953	(14)	NUT	CHEVY GMC 88-98	(1)	\$.65
31-0520	(15)	BOLT	CHEVY GMC 89-98	(1)	\$1.95
31-0520	(16)	BOLT	CHEVY GMC 88-98	(1)	\$1.95

Note: "A" 1st Design brake pedal pad.
"B" 2nd Design brake pedal pad.
"C" Has identification label marked 681.
"D" Has identification label marked 682.
"E" Has identification label marked 389.
"F" Has identification label marked 398.

Note: "G" Fits models with production option C5Z, 7,200 lb. GVW.
"H" Fits models with production option C6P, 8,600 lb. GVW.
"I" With 11-5/32" x 2-3/4" brake shoes.
"J" With 13" x 2-1/2" brake shoes.
"K" Without full floating rear axle, production code 1TA.
"L" With full floating rear axle, production code 1TA.

Parking Brake Cable Repair Kit

Parking Brake Cable Repair Kit includes everything you need to repair one brake cable. Kit contains 10-foot cable, clamp, collar, bushing, ball end and detailed instructions.



PART	DESCRIPTION	REQD	PRICE
34-3063	PARKING BRAKE CABLE REPAIR KIT	(AR)	\$16.45

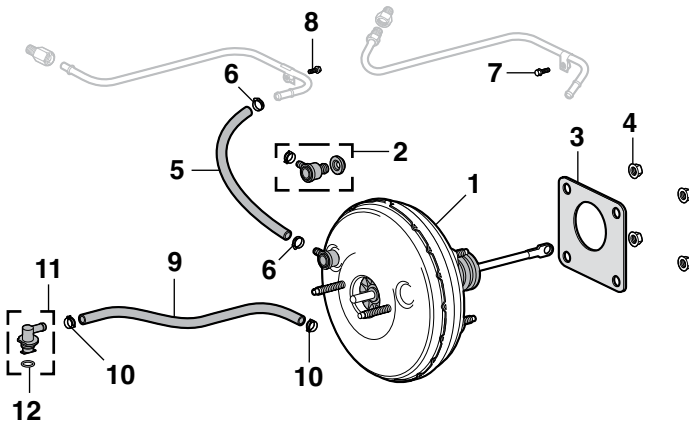
Drum Brake Pliers



PART	DESCRIPTION	PRICE
38-1288	DRUM BRAKE PLIERS	\$8.95

Brake Booster - Vacuum Type

1988-98 Chevy & GMC Truck



PART	ILL#	DESCRIPTION	APPLICATION	REQD	PRICE
35-4330-R	(1)	BRAKE BOOSTER "A"	1/2T	88 (1)	\$127.95
35-4332-R		BRAKE BOOSTER "B"	CHEVY GMC	88-91 (1)	\$139.95
35-4332-R		BRAKE BOOSTER	CHEVY GMC	92-93 (1)	\$139.95
35-4333-R		BRAKE BOOSTER	1/2T	94-96 (1)	\$152.95
35-4333-R		BRAKE BOOSTER "C"	3/4T	94 (1)	\$152.95
35-4332-R		BRAKE BOOSTER "D"	3/4T	94 (1)	\$139.95
35-4333-R		BRAKE BOOSTER	3/4T	95-96 (1)	\$152.95
31-1402	(2)	CHECK VALVE-BOOSTER	CHEVY GMC	88-98 (1)	\$33.75
31-2305	(3)	GASKET	CHEVY GMC	88-98 (1)	\$1.95
50-0811-D	(4)	NUT	CHEVY GMC	88-98 (4)	\$.95
35-4350	(5)	HOSE-24"	CHEVY GMC	88-95 (1)	\$2.95
29-0573	(6)	CLAMP	CHEVY GMC	88-95 (2)	\$1.95
31-0542	(7)	SCREW	CHEVY GMC	88-95 (1)	\$.95
31-0542	(8)	SCREW-FITTING	7.4L CHEVY GMC	91-95 (1)	\$.95
35-4350	(9)	HOSE-24"	4.3L 5.0L 5.7L CHEVY GMC	96-98 (1)	\$2.95
29-0573	(10)	CLAMP	4.3L 5.0L 5.7L CHEVY GMC	96-98 (2)	\$1.95
35-3112	(11)	FITTING	4.3L 5.0L 5.7L CHEVY GMC	96-98 (1)	\$13.25
31-1200	(12)	O-RING	4.3L 5.0L 5.7L CHEVY GMC	96-98 (1)	\$.95

Note: "A" Single diaphragm, case is 4" thick.
 "B" Dual diaphragm, case is 6" thick and 11" in diameter.
 "C" Fits models with production option codes JB5 or JB6.
 "D" Fits models with production option code JB7.

Stainless Steel Brake Hose Sets



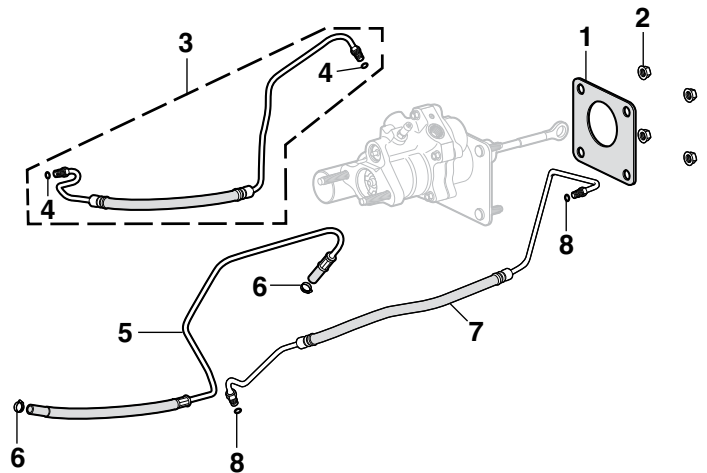
Stainless Steel Brake Hoses feature stainless steel braided hose with factory assembled, zinc-plated fittings. These hoses increase braking performance and reduce pedal travel by eliminating hose expansion common to rubber hoses. Each set comes with all necessary hardware and fittings.

PART	DESCRIPTION	APPLICATION	REQD	PRICE
34-4582	STAINLESS BRAKE HOSE SET	"A" 2WD	88-98 (1)	\$64.95
34-4586	STAINLESS BRAKE HOSE SET	"A" 4WD	88-98 (1)	\$84.95

Note: "A" Does not fit models with production option C6P, 8,600 lb. GVW.

Brake Booster - Hydraulic Type

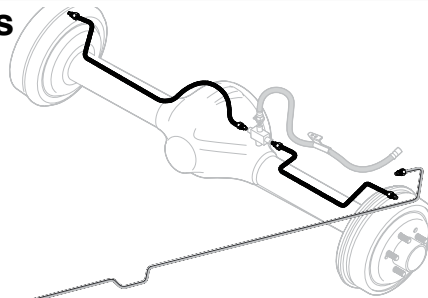
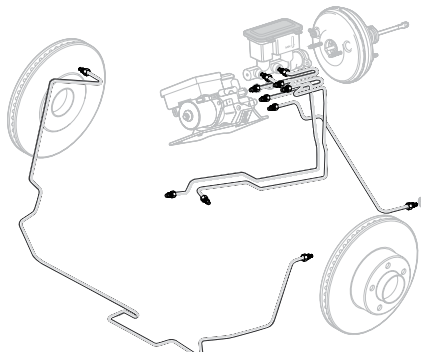
1988-98 Chevy & GMC Truck



PART	ILL#	DESCRIPTION	APPLICATION	REQD	PRICE
31-2305	(1)	GASKET	CHEVY GMC	88-98 (1)	\$1.95
50-0811-D	(2)	NUT	CHEVY GMC	88-98 (4)	\$.95
33-1810	(3)	PRESSURE HOSE-BOOSTER	5.7L CHEVY GMC	92-94 (1)	\$19.95
33-1811		PRESSURE HOSE-BOOSTER	5.7L CHEVY GMC	95 (1)	\$15.95
33-1813		PRESSURE HOSE-BOOSTER	5.7L CHEVY GMC	97-98 (1)	\$19.95
33-1810		PRESSURE HOSE-BOOSTER	7.4L 3/4T	92-94 (1)	\$19.95
33-1814		PRESSURE HOSE-BOOSTER	7.4L 3/4T	95 (1)	\$14.95
33-1813		PRESSURE HOSE-BOOSTER	7.4L 3/4T	97-98 (1)	\$19.95
33-1810		PRESSURE HOSE-BOOSTER	DIESEL	88-94 (1)	\$19.95
33-1814		PRESSURE HOSE-BOOSTER	DIESEL	95 (1)	\$14.95
33-1813		PRESSURE HOSE-BOOSTER	DIESEL	97-98 (1)	\$19.95
29-0611	(4)	O-RING	CHEVY GMC	88-98 (2)	\$1.25
33-1830	(5)	RETURN HOSE	CHEVY GMC	88-94 (1)	\$12.95
33-1831		RETURN HOSE	CHEVY GMC	95-98 (1)	\$12.95
29-0573	(6)	CLAMP-HOSE	CHEVY GMC	88-98 (2)	\$1.95
33-1820	(7)	PRESSURE HOSE-GEAR	5.7L CHEVY GMC	92-94 (1)	\$16.95
33-1821		PRESSURE HOSE-GEAR	5.7L CHEVY GMC	95 (1)	\$17.95
33-1822		PRESSURE HOSE-GEAR	5.7L 2WD	96-98 (1)	\$29.95
33-1823		PRESSURE HOSE-GEAR	5.7L 4WD	96-98 (1)	\$29.95
33-1820		PRESSURE HOSE-GEAR	7.4L CHEVY GMC	92-94 (1)	\$16.95
33-1821		PRESSURE HOSE-GEAR	7.4L CHEVY GMC	95 (1)	\$17.95
33-1822		PRESSURE HOSE-GEAR	7.4L 2WD	96-98 (1)	\$29.95
33-1823		PRESSURE HOSE-GEAR	7.4L 4WD	96-98 (1)	\$29.95
33-1820		PRESSURE HOSE-GEAR	DIESEL CHEVY GMC	92-94 (1)	\$16.95
33-1821		PRESSURE HOSE-GEAR	DIESEL CHEVY GMC	95 (1)	\$17.95
33-1822		PRESSURE HOSE-GEAR	DIESEL 2WD	97-98 (1)	\$29.95
33-1823		PRESSURE HOSE-GEAR	DIESEL 4WD	97-98 (1)	\$29.95
29-0611	(8)	O-RING	DIESEL CHEVY GMC	88-98 (2)	\$1.25

Pre-Bent Stainless Steel Brake Line Kits

1988-98 Chevy & GMC Truck



Replacing the original brake lines with high-quality Stainless Steel Brake Lines increases the longevity of the brake line system. Call or go online and order your new Stainless Steel Brake Line Kit today.

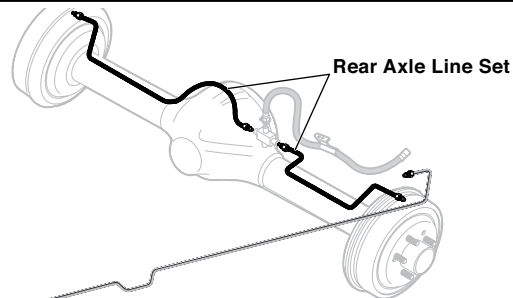
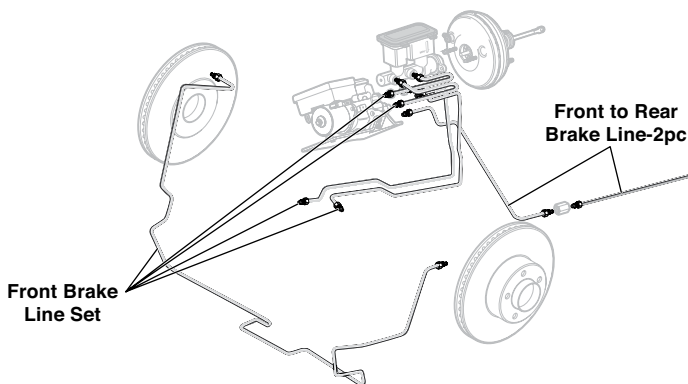
PART	DESCRIPTION	APPLICATION	REQD	PRICE
2WD Standard Cab				
34-5740	BRAKE LINE KIT-11PC	SHORTBED 2WD 1/2T 88-89	(1)	\$239.45
34-5909	BRAKE LINE KIT-11PC	SHORTBED 2WD 3/4T 88-89	(1)	\$239.45
34-5774	BRAKE LINE KIT-11PC	SHORTBED 2WD 1/2T 90-94	(1)	\$239.45
34-5925	BRAKE LINE KIT-11PC	SHORTBED 2WD 3/4T 90-94	(1)	\$239.45
34-5743	BRAKE LINE KIT-11PC	SHORTBED 2WD 1/2T 95-98	(1)	\$273.45
34-5741	BRAKE LINE KIT-11PC	LONGBED 2WD 1/2T 88-89	(1)	\$229.45
34-5775	BRAKE LINE KIT-11PC	LONGBED 2WD 1/2T 90-94	(1)	\$229.45
34-5926	BRAKE LINE KIT-11PC	LONGBED 2WD 3/4T 90-94	(1)	\$239.45
34-5744	BRAKE LINE KIT-10PC	LONGBED 2WD 1/2T 95-98	(1)	\$273.45
34-5939	BRAKE LINE KIT-18PC	"A" 2WD 3/4T 1T 95-98	(1)	\$273.45
2WD Extended Cab				
34-5734	BRAKE LINE KIT-11PC	SHORTBED 2WD 1/2T 88-89	(1)	\$239.45
34-5776	BRAKE LINE KIT-11PC	SHORTBED 2WD 1/2T 90-94	(1)	\$239.45
34-5927	BRAKE LINE KIT-11PC	SHORTBED 2WD 3/4T 90-94	(1)	\$239.45
34-5778	BRAKE LINE KIT-10PC	SHORTBED 2WD 1/2T 95-98	(1)	\$273.45
34-5735	BRAKE LINE KIT-11PC	LONGBED 2WD 1/2T 88-89	(1)	\$239.45
34-5910	BRAKE LINE KIT-11PC	LONGBED 2WD 3/4T 88-89	(1)	\$239.45
34-5777	BRAKE LINE KIT-11PC	LONGBED 2WD 1/2T 90-94	(1)	\$239.45
34-5779	BRAKE LINE KIT-10PC	LONGBED 2WD 1/2T 95-98	(1)	\$273.45
34-5939	BRAKE LINE KIT-18PC	"A" 2WD 3/4T 1T 95-98	(1)	\$273.45

PART	DESCRIPTION	APPLICATION	REQD	PRICE
4WD Standard Cab				
34-5745	BRAKE LINE KIT-11PC	SHORTBED 4WD 1/2T	88 (1)	\$229.45
34-5855	BRAKE LINE KIT-11PC	SHORTBED 4WD 1/2T	89 (1)	\$239.45
34-5912	BRAKE LINE KIT-11PC	SHORTBED 4WD 3/4T	89 (1)	\$219.95
34-5856	BRAKE LINE KIT-11PC	SHORTBED 4WD 1/2T	90-94 (1)	\$273.45
34-5857	BRAKE LINE KIT-10PC	SHORTBED 4WD 1/2T	95-98 (1)	\$273.45
34-5858	BRAKE LINE KIT-11PC	LONGBED 4WD 1/2T	88 (1)	\$229.45
34-5859	BRAKE LINE KIT-11PC	LONGBED 4WD 1/2T	89 (1)	\$229.45
34-5856	BRAKE LINE KIT-11PC	LONGBED 4WD 1/2T	90-94 (1)	\$273.45
34-5857	BRAKE LINE KIT-10PC	LONGBED 4WD 1/2T	95-98 (1)	\$273.45
34-5929	BRAKE LINE KIT-15PC	"B" 4WD 3/4T 1T	90-94 (1)	\$273.45
4WD Extended Cab				
34-5860	BRAKE LINE KIT-11PC	SHORTBED 4WD 1/2T	88 (1)	\$239.45
34-5861	BRAKE LINE KIT-11PC	SHORTBED 4WD 1/2T	89 (1)	\$239.45
34-5913	BRAKE LINE KIT-11PC	SHORTBED 4WD 3/4T	89 (1)	\$219.95
34-5856	BRAKE LINE KIT-11PC	SHORTBED 4WD 1/2T	90-94 (1)	\$273.45
34-5857	BRAKE LINE KIT-10PC	SHORTBED 4WD 1/2T	95-98 (1)	\$273.45
34-5862	BRAKE LINE KIT-11PC	LONGBED 4WD 1/2T	88 (1)	\$239.45
34-5911	BRAKE LINE KIT-11PC	LONGBED 4WD 3/4T	88 (1)	\$239.45
34-5914	BRAKE LINE KIT-11PC	LONGBED 4WD 3/4T	89 (1)	\$219.95
34-5863	BRAKE LINE KIT-11PC	LONGBED 4WD 1/2T	89 (1)	\$239.45
34-5856	BRAKE LINE KIT-11PC	LONGBED 4WD 1/2T	90-94 (1)	\$273.45
34-5857	BRAKE LINE KIT-10PC	LONGBED 4WD 1/2T	95-98 (1)	\$273.45
34-5929	BRAKE LINE KIT-15PC	"B" 4WD 3/4T 1T	90-94 (1)	\$273.45

Note: "A" with single or dual rear wheels.
"B" with rear drum brakes.

Pre-Bent Stainless Steel Brake Lines

1995-98 Chevy & GMC Truck



PART	DESCRIPTION	APPLICATION	REQD	PRICE
34-5907	FRONT BRAKE LINE SET-5PC	1500 4WD 95-98	(1)	\$106.95*
34-5908	FRONT BRAKE LINE SET-5PC	2500 4WD 95-98	(1)	\$106.95
34-5922	FR/RR BRAKE LINE-2PC	STD CAB SHORTBED 95-98	(1)	\$39.95
34-5923	FR/RR BRAKE LINE-2PC	STD CAB LONGBED 95-98	(1)	\$59.95
34-5924	FR/RR BRAKE LINE-2PC	EXT CAB SHORTBED 95-98	(1)	\$59.95
34-5935	REAR AXLE BRAKE LINE SET-2PC	1500 2500 95-98	(1)	\$54.95

* Or ** after the sell price means your order will incur an Oversize Part Charge for each oversized part. * Means extra charge will be \$20. ** Means extra charge will be \$50. Due to packing and/or transportation requirements, please allow additional time for delivery. Oversized Parts are not available for air delivery.

Mini Tube Cutter

Mini Tube Cutter allows quick and simple cutting of Fuel & Brake lines from 1/8" to 5/8" OD. The compact design ensures easy access to even the tightest of spots. Cutter will cut through Steel, Aluminum, Plastic, Copper and Brass line.



PART	DESCRIPTION	PRICE
38-1372	MINI TUBE CUTTER	\$8.95

Flare Tool Set

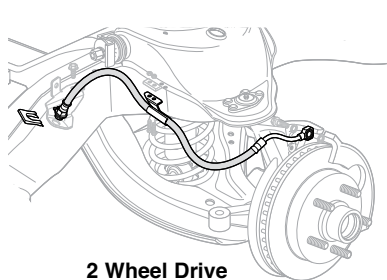
SAE Flare Tool Set allows quick repair of Fuel, Brake, Oil and Transmission lines, taking the guesswork out of creating single and double flares. Will work with 3/16", 1/4", 5/16", 3/8" and 1/2" tube. Capable of creating single flares in copper, aluminum and brass tubing, double flares in soft steel tubing.



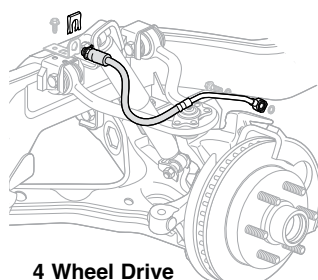
PART	DESCRIPTION	PRICE
38-1374	SAE FLARE TOOL SET	\$34.95

Brake Hoses

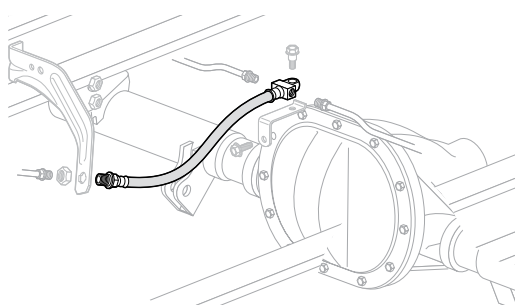
1988-98 Chevy & GMC Truck



2 Wheel Drive



4 Wheel Drive



Rear Brake Hose

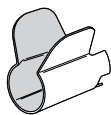
PART	DESCRIPTION	APPLICATION	REQD	PRICE
2 Wheel Drive				
35-4474	FRONT BRAKE HOSE-LH	2WD 1/2T 88-98	(1)	\$11.95
35-4475	FRONT BRAKE HOSE-RH	2WD 1/2T 88-98	(1)	\$11.95
35-4474	FRONT BRAKE HOSE-LH	2WD 3/4T 88	(1)	\$11.95
35-4475	FRONT BRAKE HOSE-RH	2WD 3/4T 88	(1)	\$11.95
35-4474	FRONT BRAKE HOSE-LH	"A" 2WD 3/4T 89-98	(1)	\$11.95
35-4475	FRONT BRAKE HOSE-RH	"A" 2WD 3/4T 89-98	(1)	\$11.95
35-4476	FRONT BRAKE HOSE-LH	"B" 2WD 3/4T 89-98	(1)	\$12.95
35-4477	FRONT BRAKE HOSE-RH	"B" 2WD 3/4T 89-98	(1)	\$13.45
4 Wheel Drive				
35-4478	FRONT BRAKE HOSE-LH	4WD 1/2T 88-98	(1)	\$11.95
35-4479	FRONT BRAKE HOSE-RH	4WD 1/2T 88-98	(1)	\$11.95
35-4478	FRONT BRAKE HOSE-LH	"A" 4WD 3/4T 88-95	(1)	\$11.95
35-4479	FRONT BRAKE HOSE-RH	"A" 4WD 3/4T 88-95	(1)	\$11.95
35-4480	FRONT BRAKE HOSE-LH	"B" 4WD 3/4T 88-95	(1)	\$14.95
35-4481	FRONT BRAKE HOSE-RH	"B" 4WD 3/4T 88-95	(1)	\$14.95
35-4482	FRONT BRAKE HOSE-LH	"B" 4WD 3/4T 96-98	(1)	\$13.95
35-4483	FRONT BRAKE HOSE-RH	"B" 4WD 3/4T 96-98	(1)	\$13.95
Rear Brake Hose				
35-4484	REAR BRAKE HOSE	CHEVY GMC 88-98	(1)	\$11.95
Brake Hose Components				
30-1411	CLIP-HOSE RETAINER	CHEVY GMC 88-98	(2)	\$1.45

Note: "A" Fits models with production option C5Z, 7,200 lb. GVW.
 "B" Fits models with production option C6P, 8,600 lb. GVW.

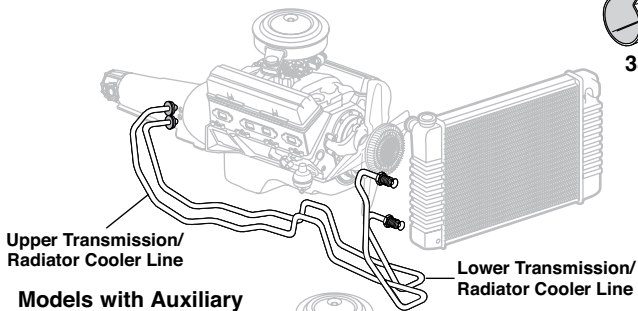
Pre-Bent Transmission Cooler Lines

1988-98 Chevy & GMC Truck

Models without Auxiliary Transmission Cooler



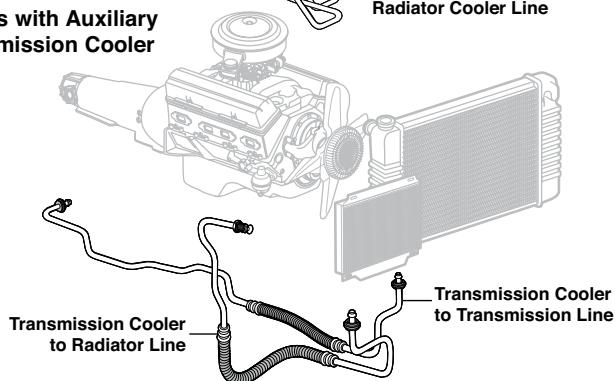
38-1316



**Upper Transmission/
Radiator Cooler Line**

**Lower Transmission/
Radiator Cooler Line**

Models with Auxiliary
Transmission Cooler



**Transmission Cooler
to Radiator Line**

**Transmission Cooler
to Transmission Line**

OM = Original Material
SS = Stainless Steel

PART	DESCRIPTION	APPLICATION	REQD	PRICE
TH700R4 and 4L60E Transmissions				
34-5700	COOLER LINE-TRANS-OM-2PC	2WD 88-94	(1)	\$44.95*
34-5701	COOLER LINE-TRANS-SS-2PC	2WD 88-94	(1)	\$76.95*
34-5702	COOLER LINE-TRANS-OM-2PC	4WD 1/2T 88-94	(1)	\$44.95*
34-5703	COOLER LINE-TRANS-SS-2PC	4WD 1/2T 88-94	(1)	\$59.95*
34-5704	COOLER LINE-TRANS-OM-2PC	GAS 4WD 3/4T 88-94	(1)	\$44.95*
34-5705	COOLER LINE-TRANS-SS-2PC	GAS 4WD 3/4T 88-94	(1)	\$74.95*
34-5706	COOLER LINE-TRANS-OM-2PC	DIESEL 4WD 3/4T 88-94	(1)	\$49.95*
34-5707	COOLER LINE-TRANS-SS-2PC	DIESEL 4WD 3/4T 88-94	(1)	\$79.95*
Models without Auxiliary Transmission Cooler				
32-7000	COOLER LINE-TRANS/RAD UPPER	"A" 4.3L 5.0L 98	(1)	\$25.95*
32-7001	COOLER LINE-TRANS/RAD LOWER	"A" 4.3L 5.0L 98	(1)	\$29.95
32-7002	COOLER LINE-TRANS/RAD UPPER	"B" 5.7L 98	(1)	\$16.95
32-7003	COOLER LINE-TRANS/RAD LOWER	"B""C" 5.0L 5.7L 98	(1)	\$18.95
Models with Auxiliary Transmission Cooler				
32-7004	COOLER LINE-RAD/COOLER	"B" 5.7L 98	(1)	\$22.95
32-7005	COOLER LINE-RAD/COOLER	"D" 5.7L 6.5L 96-98	(1)	\$16.95
32-7006	COOLER LINE-RAD/COOLER	7.4L 96-98	(1)	\$44.95
32-7007	COOLER LINE-COOLER/TRANS	"D" 5.7L 97-98	(1)	\$24.95
32-7008	COOLER LINE-COOLER/TRANS	"B" 5.7L 98	(1)	\$29.95
32-7009	COOLER LINE-COOLER/TRANS	6.5L 97-98	(1)	\$39.95
38-1316	OIL COOLER LINE DISCONNECT TOOL	CHEVY GMC 93-98	(1)	\$10.45

Note: "A" Fits 5.0L models without 140 amp alternator.
 "B" Fits models with production option M30, 4L60E transmission.
 "C" Fits 5.0L models with 140 amp alternator.
 "D" Fits models with production option MT1, 4L80E transmission.

Transmission Identification - See Page 8

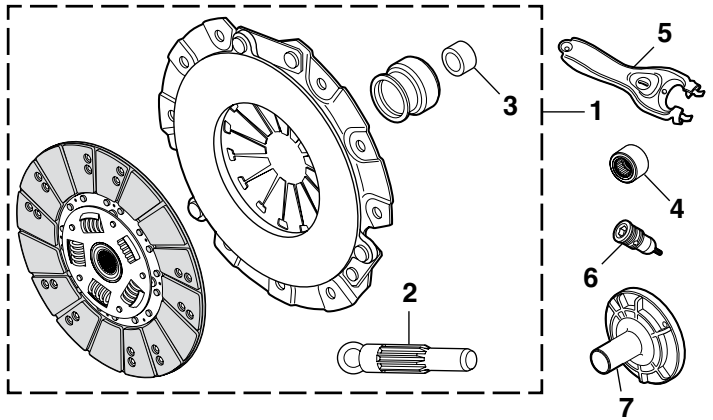
* Or ** after the sell price means your order will incur an Oversize Part Charge for each oversized part. * Means extra charge will be \$20. ** Means extra charge will be \$50. Due to packing and/or transportation requirements, please allow additional time for delivery. Oversized Parts are not available for air delivery.

Clutch Kits and Components

1988-98 Chevy & GMC Truck

PART	ILL#	DESCRIPTION	APPLICATION	REQD	PRICE
32-6836	(1)	CLUTCH KIT	5.0L 88-89	(1)	\$142.95
32-6837		CLUTCH KIT	5.0L 96-98	(1)	\$275.95
32-6838		CLUTCH KIT	5.7L 88-95	(1)	\$179.95
32-6837		CLUTCH KIT	5.7L 96-97	(1)	\$275.95
32-6840		CLUTCH KIT	DIESEL 6.2L 88-93	(1)	\$149.95
32-6838		CLUTCH KIT	7.4L 90-95	(1)	\$179.95
32-6000	(2)	CLUTCH ALIGNMENT TOOL	CHEVY GMC 88-98	(1)	\$3.45
32-6025	(3)	CLUTCH PILOT BUSHING	CHEVY GMC 88-98	(1)	\$3.95
32-6026	(4)	CLUTCH PILOT BEARING	CHEVY GMC 88-98	(1)	\$15.95
29-4226	(5)	CLUTCH FORK	CHEVY GMC 88-95	(1)	\$29.95
32-6101	(6)	CLUTCH FORK BALL STUD	CHEVY GMC 88-95	(1)	\$8.95
32-6400	(7)	FRONT BEARING RETAINER "A" 4 SPEED	88-91	(1)	\$29.95

Note: "A" Fits models with production code M20.

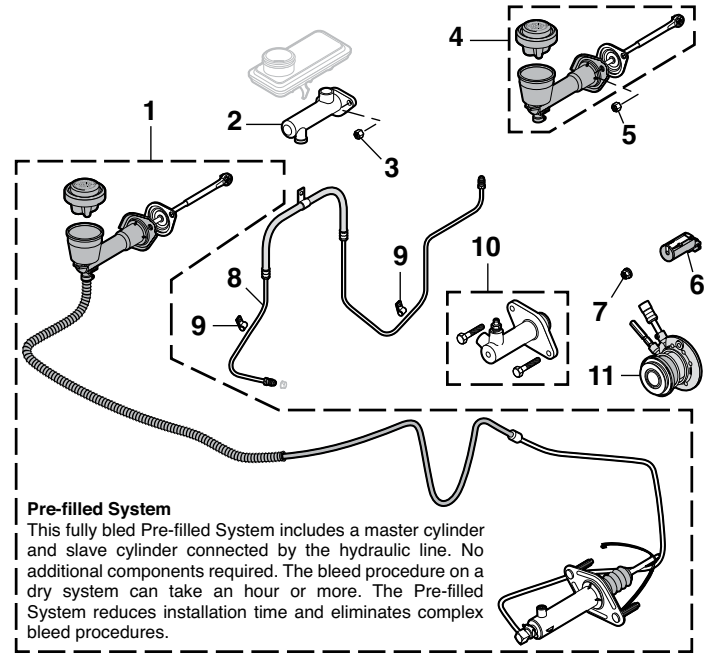


Replace all three clutch pieces at one time: Cover, Disc and Release Bearing. Extend the life of your clutch system and save the hassle of replacing each piece. Buy a 3-In-1 Clutch Kit today to save time and money.

Clutch Hydraulics

1988-98 Chevy & GMC Truck

PART	ILL#	DESCRIPTION	APPLICATION	REQD	PRICE
35-4130	(1)	PRE-FILLED SYSTEM	CHEVY GMC 92-95	(1)	\$199.95
35-4090	(2)	CLUTCH MASTER CYLINDER	CHEVY GMC 88-91	(1)	\$39.95
29-0506	(3)	NUT	CHEVY GMC 88-91	(2)	\$ 9.95
35-4092	(4)	CLUTCH MASTER CYLINDER	CHEVY GMC 92-95	(1)	\$62.95
40-0889-C	(5)	NUT	CHEVY GMC 92-95	(2)	\$1.95
37-0645	(6)	PEDAL POSITION SWITCH	CHEVY GMC 96-98	(1)	\$33.35
31-0907	(7)	NUT	CHEVY GMC 96-98	(2)	\$4.95
35-4110	(8)	CLUTCH HOSE	CHEVY GMC 88-91	(1)	\$68.95
35-4111		CLUTCH HOSE	CHEVY GMC 92-95	(1)	\$64.95
31-0720	(9)	CLIP	CHEVY GMC 92-95	(3)	\$1.25
35-4100	(10)	CLUTCH SLAVE CYLINDER	CHEVY GMC 88-91	(1)	\$24.95
35-4101		CLUTCH SLAVE CYLINDER	CHEVY GMC 92-95	(1)	\$44.95
35-4102	(11)	CLUTCH SLAVE CYLINDER	CHEVY GMC 96-98	(1)	\$69.95



Pre-filled System

This fully bled Pre-filled System includes a master cylinder and slave cylinder connected by the hydraulic line. No additional components required. The bleed procedure on a dry system can take an hour or more. The Pre-filled System reduces installation time and eliminates complex bleed procedures.

Black Transmission Pans with Drain Plug

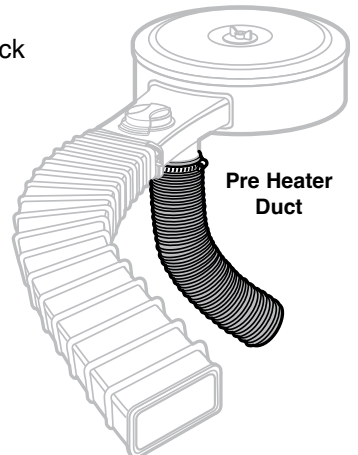


PART	ILL#	DESCRIPTION	APPLICATION	REQD	PRICE
38-1982	(1)	TRANSMISSION PAN-BLACK	TH400	(1)	\$21.95
38-1983	(2)	TRANSMISSION PAN-BLACK	TH350	(1)	\$22.95
38-1984	(3)	TRANSMISSION PAN-BLACK	TH700/4L60	(1)	\$26.95

Pre Heater Duct

1988-94 Chevy & GMC Truck

Pre Heater Duct is 18" long and comes in two diameters, 1-1/2" and 1-3/4". Measure your diameter before ordering.



PART	DESCRIPTION	APPLICATION	REQD	PRICE
38-4350	DUCT-PRE HEATER 1-1/2" DIA X 18"	CHEVY GMC 88-90	(1)	\$9.95
38-4352	DUCT-PRE HEATER 1-3/4" DIA X 18"	CHEVY GMC 88-94	(1)	\$9.95

**PERFECT TORC
Transmission Controller**



38-4558

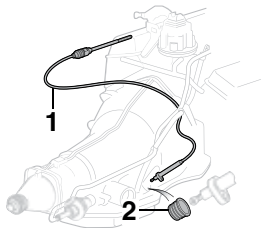
The PERFECT TORC Transmission Controller is the stand-alone electronic transmission control unit you've been waiting for. Installation and initial setup is easy, and the controller is supplied with base calibrations for your transmission type, so you can be up and running immediately after installation. The PERFECT TORC Transmission Controller can be tuned using the provided calibration software and a Windows-based laptop, and basic tuning options are available without ever plugging into a laptop. With a digital display, two separate shift tables, and the ability to perform on-the-fly calibrations, the ultra-reliable and vibration-resistant controller supports paddle and simple push button shifting. The system is designed to work seamlessly with GM 4L60/65E and 4L80/85E transmissions on fuel-injected, carbureted, and diesel engines.

Note: GM 4L60E transmission must be 1996 or newer. GM 4L80E transmissions must be 1995 or newer.

PART	DESCRIPTION	PRICE
38-4558	PERFECT TORC TRANS CONTROLLER	\$699.99

Throttle Valve Cable

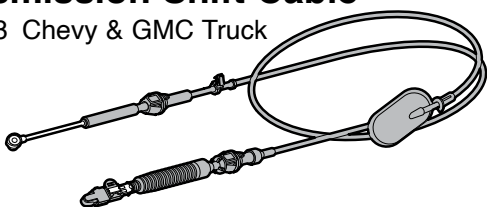
Models with 700R4/4L60 Transmission
1988-92 Chevy & GMC Truck



PART	ILL#	DESCRIPTION	APPLICATION	REQD	PRICE
32-4816	(1)	TV CABLE 4.3L 5.0L 5.7L	CHEVY GMC 88-92	(1)	\$11.95
32-4812		TV CABLE DIESEL	CHEVY GMC 88-92	(1)	\$10.95
30-1289	(2)	SEAL-TV CABLE	CHEVY GMC 88-92	(1)	\$2.95

Transmission Shift Cable

1995-98 Chevy & GMC Truck

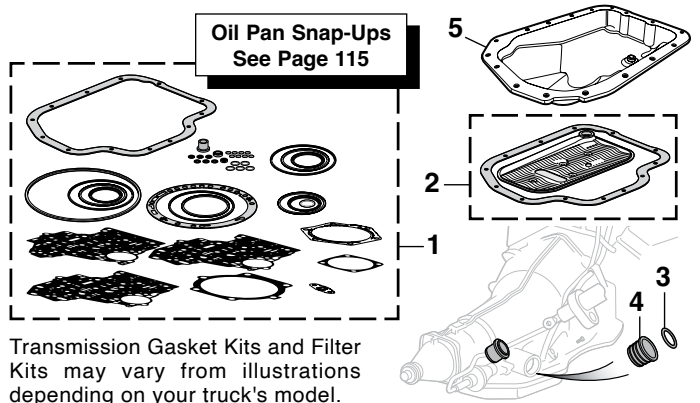


PART	DESCRIPTION	APPLICATION	REQD	PRICE
33-4522	TRANSMISSION SHIFT CABLE	"A" CHEVY GMC 95-98	(1)	\$59.95

Note: "A" Fits models with production option MT1 or M30.

Transmission Gaskets and Filters

1988-98 Chevy & GMC Truck



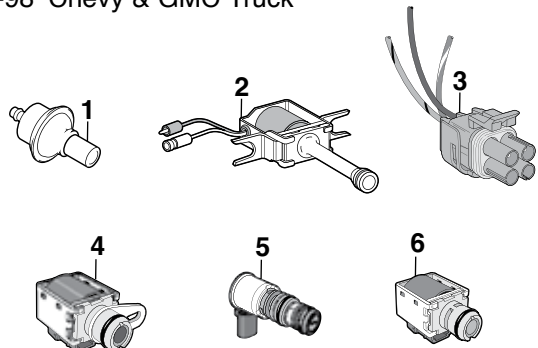
Transmission Gasket Kits and Filter Kits may vary from illustrations depending on your truck's model.

PART	ILL#	DESCRIPTION	APPLICATION	REQD	PRICE
TH400					
32-7125	(1)	TRANSMISSION GASKET KIT	CHEVY GMC 88-90	(1)	\$40.95
32-7027	(2)	TRANSMISSION FILTER KIT	CHEVY GMC 88-90	(1)	\$6.95
32-7110	(3)	SEAL-DIPSTICK TUBE	CHEVY GMC 88-90	(1)	\$1.95
TH700R-4					
32-7132		TRANSMISSION GASKET KIT	CHEVY GMC 88-92	(1)	\$54.55
29-4392		TRANSMISSION FILTER KIT	CHEVY GMC 88-92	(1)	\$7.95
32-7112	(4)	SEAL-DIPSTICK TUBE	CHEVY GMC 88-92	(1)	\$2.95
4L60E					
29-4394		TRANSMISSION FILTER KIT	CHEVY GMC 93-96	(1)	\$9.95
32-7042		TRANSMISSION FILTER KIT "A"	CHEVY GMC 97-98	(1)	\$15.45
32-7112		SEAL-DIPSTICK TUBE	CHEVY GMC 93-98	(1)	\$2.95
4L80E					
32-7040		TRANSMISSION FILTER KIT	CHEVY GMC 91-96	(1)	\$9.95
32-7043		TRANSMISSION FILTER KIT	CHEVY GMC 97-98	(1)	\$12.95
32-6912	(5)	TRANS OIL PAN W/DRAIN	CHEVY GMC 97-98	(1)	\$59.95

Note: "A" Models with 3" deep transmission pan.

Transmission Components

1988-98 Chevy & GMC Truck



PART	ILL#	DESCRIPTION	APPLICATION	REQD	PRICE	
32-7627	(1)	TRANS MODULATOR 4.3L 5.0L	TH400 88-90	(1)	\$45.45	
32-7627		TRANS MODULATOR 7.4L	TH400 90	(1)	\$45.45	
32-7636	(2)	TRANS CONTROL SOLENOID	TH700R4	88-92	(1)	\$29.95
36-3692	(3)	TRANS CONVRTR CLUTCH SOCKET	TH700R4	88-92	(1)	\$8.95
32-7642	(4)	TRANS CONTROL SOLENOID "A"	4L60E	93-98	(2)	\$12.95
32-7643	(5)	TRANS CONTROL SOLENOID "B"	4L60E	93-95	(1)	\$20.25
32-7644		TRANS CONTROL SOLENOID "B"	4L60E	96-98	(1)	\$33.95
32-7639	(6)	TRANS CONTROL SOLENOID "C"	4L80E	92-98	(1)	\$17.75

Note: "A" Two solenoids are required. One for the 1-2 & 3-4 shift, and one for the 2-3 shift.

"B" Solenoid controls 3-2 shift.

"C" Solenoid controls 1-2 shift.

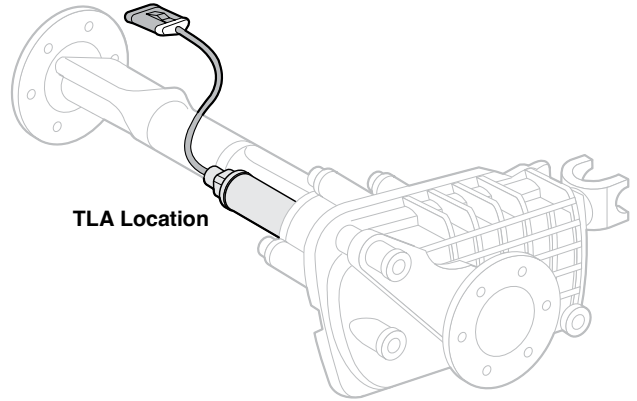
Front Differential Cable Lock Kit ... Cures Slow to No-engagement Blues !

Not Just an Accessory, It's a Necessity



Works like hubs with full control from inside the cab without stopping, in any temperature. Will not disengage when ignition is turned off or if differential is submerged in mud, water or snow. Two-wheel drive low range benefits from bind-free steering AND high rear axle torque. This feature is not available with factory systems and is beneficial when maneuvering trailers. Reduces front differential wear and right axle breakage.

The factory system uses a TLA (Thermal Linear Actuator) to engage the front axle, which is a heat-activated plunger that is prone to failure and takes longer to engage when cold outside. Differential Lock Kit replaces the TLA with a cable-operated system, guaranteeing four-wheel drive engagement every time. A one-inch pull of the Differential Lock Kit cable ensures having four-wheel drive when needed.



TLA Location

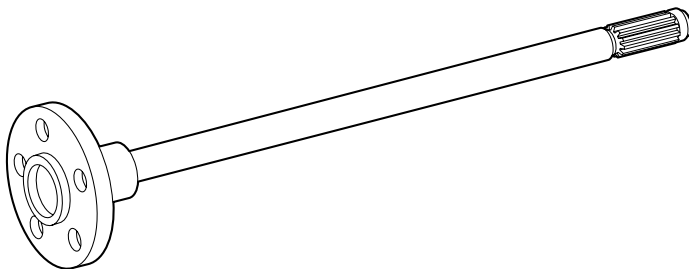
Differential Lock Kit is compatible with manually (lever) or electrically (push button) engaged transfer cases. Easily installed in one to two hours with basic hand tools. No internal axle or differential work required.

PART	DESCRIPTION	APPLICATION	REQD	PRICE
36-1585	DIFFERENTIAL LOCK KIT "A" 6 LUG 4WD	88-98	(1)	\$199.95

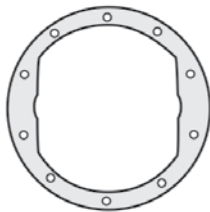
Note: "A" Does not fit 1998 models equipped with Auto-Trac transfer case. Rear of transfer case is stamped #NP246. These models are equipped with a large electric motor instead of a TLA.

Rear Axle Shafts

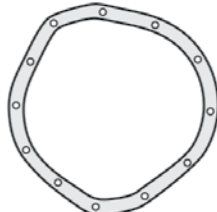
1988-98 Chevy & GMC Truck



How to Identify Your Differential Case



10 Bolt with 8-1/2" Ring Gear



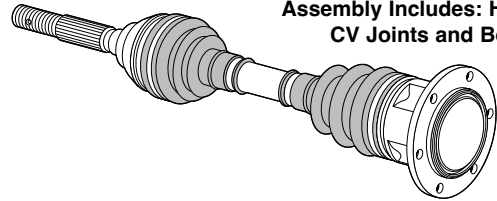
14 Bolt with 9-1/2" Ring Gear

PART	DESCRIPTION	APPLICATION	REQD	PRICE
GM 10 Bolt with 8-1/2" Ring Gear				
35-2772	REAR AXLE SHAFT 5 LUG 30 SPLINE 2WD 1/2T	88-98	(2)	\$85.95
35-2774	REAR AXLE SHAFT 6 LUG 30 SPLINE 4WD 1/2T	88-98	(2)	\$85.95
GM 14 Bolt with 9-1/2" Ring Gear				
35-2776	REAR AXLE SHAFT 6 LUG "A"	4WD 1/2T 88-98	(2)	\$94.95
35-2776	REAR AXLE SHAFT 6 LUG "B"	4WD 3/4T 88-98	(2)	\$94.95
35-2778	REAR AXLE SHAFT 8 LUG "C"	3/4T 88-98	(2)	\$99.95

Note: "A" Fits models with production option F44, Heavy-Duty Chassis.
 "B" Fits models with production option C5Z, 7,200 lb. GVW.
 "C" Fits models with production option C6P, 8,600 lb. GVW.

Front CV Axle Assembly

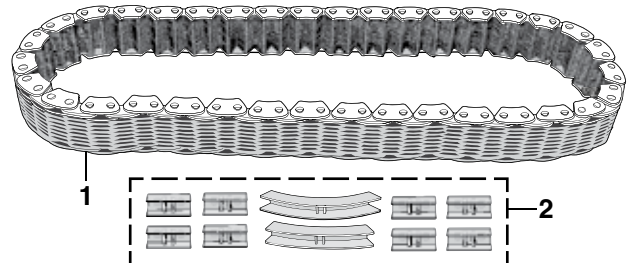
Assembly Includes: Half Shaft, CV Joints and Boots.



PART	DESCRIPTION	APPLICATION	REQD	PRICE
35-2744	FRONT AXLE SHAFT ASSY-NEW	4WD 1/2T 88-98	(2)	\$99.95
35-2744	FRONT AXLE SHAFT ASSY-NEW "A"	4WD 3/4T 88-95	(2)	\$99.95
35-2743	FRONT AXLE SHAFT ASSY-NEW "B"	4WD 3/4T 88-98	(2)	\$126.95

Note: "A" Fits models with production option C5Z, 7,200 lb. GVW.
 "B" Fits models with production option C6P, 8,600 lb. GVW.

4WD Transfer Case Components



Transfer case chains can stretch due to heavy use or high mileage and cause damage to the transfer case housing increasing the chance of expensive repairs.

Transfer case shift fork pads allow smooth shifting between 2WD and 4WD modes by engaging the shift collars inside the transfer case. Pad failure can prevent shifting between drive modes, possibly damaging the gears inside the transfer case.

PART	ILL#	DESCRIPTION	APPLICATION	REQD	PRICE
56-3830	(1)	TRANSFER CASE CHAIN	NP241 CHEVY GMC 88-98	(1)	\$79.95
56-3835	(2)	PAD SET-SHIFT FORKS	NP241 CHEVY GMC 88-98	(1)	\$7.45

Receiver Hitch and Components ... For All Your Towing Needs



This Hitch has a Class III rating for towing up to 6,000 lbs. with a 600 lb. tongue weight.

It is a hitch that requires no drilling for fast and easy installation. Made from corrosion resistant powder coat black paint finish and has a standard 2" receiver.

PART	DESCRIPTION	APPLICATION	REQD	PRICE
37-7521	HITCH-NO DRILL	6000 LB CHEVY GMC 88-98	(1)	\$239.95*

* Or ** after the sell price means your order will incur an Oversize Part Charge for each oversized part. * Means extra charge will be \$20. ** Means extra charge will be \$50. Due to packing and/or transportation requirements, please allow additional time for delivery. Oversized Parts are not available for air delivery.



Hitch Ball Mount - Choose the best fitting Hitch Ball Mount with the right amount of rise or drop to even out the load. Raise or lower the height of your trailer ball by the amount listed for level towing.

PART	DESCRIPTION	APPLICATION	REQD	PRICE
37-7425	BALL MOUNT 3/4" RISE 2" DROP	7500 LB	(1)	\$22.95
37-7426	BALL MOUNT 2" RISE 4" DROP	7500 LB	(1)	\$23.95
37-7438	BALL MOUNT 4" RISE 6" DROP	7500 LB	(1)	\$39.95
37-7439	BALL MOUNT 6" RISE 8" DROP	5000 LB	(1)	\$44.95



5/8" Hitch Pin and Clip are made from zinc-plated steel.

37-7441

PART	DESCRIPTION	REQD	PRICE
37-7441	HITCH PIN AND CLIP 5/8"	(1)	\$3.95



Complete your towing package with a wiring harness.

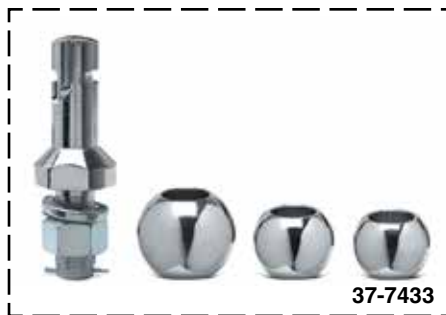
37-7453

PART	DESCRIPTION	APPLICATION	REQD	PRICE
37-7453	WIRING HARNESS T-CONNECT	CHEVY GMC 88-98	(1)	\$22.95



Chrome Hitch Ball features a 1" diameter shank and includes lock washer and nut. Trailer Balls are listed by diameter. Choose the diameter you need to match your trailer.

Switch-Ball™ Set



37-7433

Switch-Ball™ Set - Constructed from premium grade steel with nickel-chrome plating, the Switch-Ball™ Set has an exclusive 'J' Groove design that ensures that the ball is installed on the shank and engaged by a coupler, making the hitching system safe and secure. Weight bearing capacity rests on shank to relieve stress away from the ball, thus freeing the coupler from friction and binding for a smoother and safer towing.

Change between three different trailer hitch ball sizes quickly and easily. No attachment pin to remove or tools required to switch ball sizes. Weight ratings for each hitch ball size are: 1-7/8" = 3,500 lbs., 2" = 6,000 lbs. and 2-5/16" = 8,000 lbs.

PART	DESCRIPTION	APPLICATION	REQD	PRICE
37-7433	SWITCH-BALL SET	CHEVY GMC	(1)	\$57.95

PART	DESCRIPTION	REQD	PRICE
37-7427	HITCH BALL 1-7/8" 3500 LB	(1)	\$9.95
37-7428	HITCH BALL 2" 6000 LB	(1)	\$11.95
37-7429	HITCH BALL 2-5/16" 7500 LB	(1)	\$12.95

4 EASY WAYS TO ORDER PARTS

ONLINE

www.LMCTruck.com
Fast, Simple, Safe!

PHONE

(800) 562-8782

FAX

(800) 541-8525 USA & Canada
(913) 599-0323 Worldwide

MAIL

P.O. Box 14991
Lenexa, KS 66285-4991



Gorilla Wheel Locks ... Safety and Security



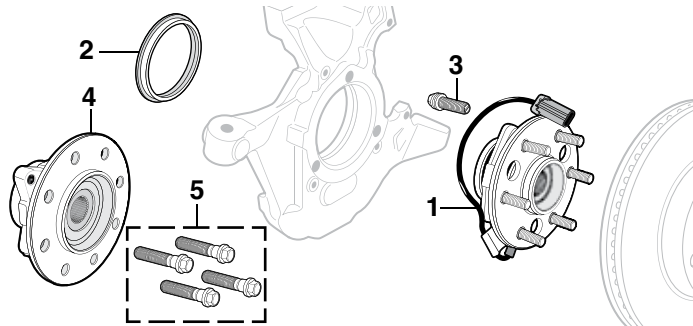
30-1038

Gorilla Wheel Locks protect your wheels from theft because they are virtually impossible to remove without the matching security pattern key. Made from case-hardened steel with triple chrome plating and comes with a patented key wrench adaptor and registration.

PART	DESCRIPTION	APPLICATION	REQD	PRICE
30-1038	WHEEL LOCK SET 14MM	CHROME	(1)	\$22.95

Front Wheel Bearing Assembly - 4WD

1988-98 Chevy & GMC Truck

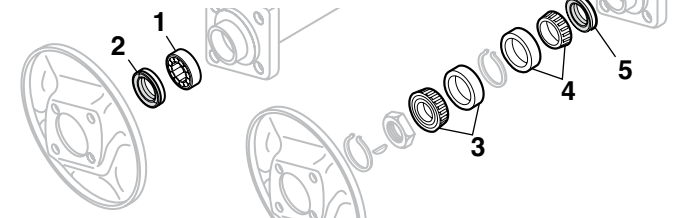


PART	ILL#	DESCRIPTION	APPLICATION	REQD	PRICE
4WD 1/2 Ton Models					
35-2682	(1)	WHEEL BEARING ASSEMBLY	4WD 1/2T	95-98 (2)	\$99.95
35-0100	(2)	SEAL	4WD 1/2T	88-98 (2)	\$5.95
35-2696	(3)	BOLT-HUB TO KNUCKLE	4WD 1/2T	88-98 (6)	\$8.45
4WD 3/4 Ton Models 7,200 lb. GVW					
35-2682	(1)	WHEEL BEARING ASSEMBLY	"A" 4WD 3/4T	95 (2)	\$99.95
35-0100	(2)	SEAL	"A" 4WD 3/4T	88-95 (2)	\$5.95
35-2696	(3)	BOLT-HUB TO KNUCKLE	4WD 3/4T	88-98 (6)	\$8.45
4WD 3/4 Ton Models 8,600 lb. GVW					
35-2683	(4)	WHEEL BEARING ASSEMBLY	"B" 4WD 3/4T	88-94 (2)	\$99.95
35-0101	(2)	SEAL	"B" 4WD 3/4T	88-98 (2)	\$8.95
35-2698	(5)	BOLT SET-HUB TO KNUCKLE	4WD 3/4T	88-98 (2)	\$19.95

Note: "A" Fits models with production option C5Z, 7,200 lb. GVW.
 "B" Fits models with production option C6P, 8,600 lb. GVW.

Rear Wheel Bearings

1988-98 Chevy & GMC Truck



PART	ILL#	DESCRIPTION	APPLICATION	REQD	PRICE
GM 10 Bolt with 8-1/2" Ring Gear					
34-0511	(1)	REAR WHEEL BEARING	1/2T 88-98	(2)	\$19.95
34-0171	(2)	SEAL	1/2T 88-98	(2)	\$4.25
GM 14 Bolt with 9-1/2" Ring Gear					
34-0526	(1)	REAR WHEEL BEARING	CHEVY GMC 88-98	(2)	\$24.95
34-0177	(2)	SEAL	CHEVY GMC 88-98	(2)	\$5.55
GM 14 Bolt with 10-1/2" Ring Gear					
45-0539-C	(3)	REAR WHEEL BEARING-OUTER	3/4T 88-98	(2)	\$10.95
34-0461	(4)	REAR WHEEL BEARING-INNER	3/4T 88-98	(2)	\$19.95
34-0152	(5)	SEAL	3/4T 88-98	(2)	\$4.95

Flip Socket Set

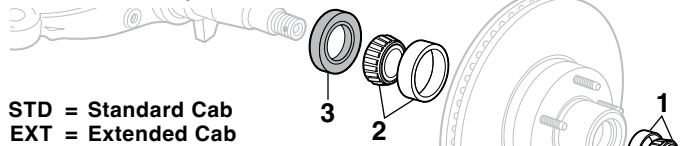
Flip Socket Set includes a comprehensive selection of reversible 1/2" drive sockets for a variety of lug nut sizes. The four piece set includes 3/4", 13/16", 7/8", 15/16", 19mm, and 21mm sockets and a 1/2" extension in a molded carrying case.



PART	DESCRIPTION	APPLICATION	PRICE
38-1378	FLIP SOCKET SET-4PC W/CASE	1/2" DRIVE	\$37.95

Front Wheel Bearings - 2WD

1988-98 Chevy & GMC Truck



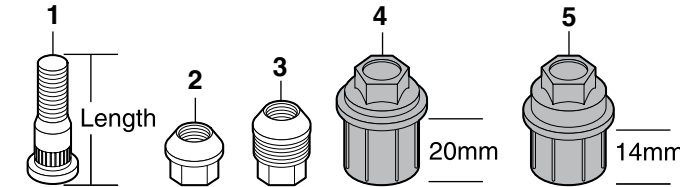
STD = Standard Cab
 EXT = Extended Cab

PART	ILL#	DESCRIPTION	APPLICATION	REQD	PRICE
2WD 1/2 Ton Models					
34-0534	(1)	WHEEL BEARING-OUTER	2WD 1/2T	88-98 (2)	\$6.45
34-0531	(2)	WHEEL BEARING-INR STD	"A" 2WD 1/2T	88-91 (2)	\$6.95
34-0528	(2)	WHEEL BEARING-INR STD	"B" 2WD 1/2T	88-91 (2)	\$6.95
34-0528	(2)	WHEEL BEARING-INR EXT	2WD 1/2T	88-91 (2)	\$6.95
34-0528	(2)	WHEEL BEARING-INNER	2WD 1/2T	92-98 (2)	\$6.95
34-0158	(3)	SEAL	2WD 1/2T	88-91 (2)	\$1.95
34-0178	(3)	SEAL	2WD 1/2T	92-98 (2)	\$1.95
2WD 3/4 Ton Models 7,200 lb. GVW					
34-0536	(1)	WHEEL BEARING-OUTER	"C" 2WD 3/4T	88-91 (2)	\$15.95
34-0534	(2)	WHEEL BEARING-OUTER	"C" 2WD 3/4T	92-98 (2)	\$6.45
34-0528	(2)	WHEEL BEARING-INNER	"C" 2WD 3/4T	88-98 (2)	\$6.95
34-0158	(3)	SEAL	"C" 2WD 3/4T	88-91 (2)	\$1.95
34-0178	(3)	SEAL	"C" 2WD 3/4T	92-98 (2)	\$1.95
2WD 3/4 Ton Models 8,600 lb. GVW					
34-0536	(1)	WHEEL BEARING-OUTER	"D" 2WD 3/4T	88-98 (2)	\$15.95
34-0532	(2)	WHEEL BEARING-INNER	"D" 2WD 3/4T	88-98 (2)	\$9.95
34-0156	(3)	SEAL	"D" 2WD 3/4T	88-91 (2)	\$2.95

Note: "A" Fits models without Heavy-Duty Chassis-production option F44.
 "B" Fits models with Heavy-Duty Chassis-production option F44.
 "C" Fits models with production option C5Z, 7,200 lb. GVW.
 "D" Fits models with production option C6P, 8,600 lb. GVW.

Wheel Studs and Lug Nuts

1988-98 Chevy & GMC Truck



PART	ILL#	DESCRIPTION	APPLICATION	REQD	PRICE
31-1026	(1)	WHEEL STUD-FRONT 46MM LONG	2WD	88-98 (AR)	\$3.45
31-1027	(1)	WHEEL STUD-FRONT 45MM LONG	4WD	88-98 (AR)	\$2.95
31-1028	(1)	WHEEL STUD-FRONT 54MM LONG	4WD 3/4T	88-98 (AR)	\$2.95
31-1029	(1)	WHEEL STUD-REAR 43MM LONG	1/2T	88-98 (AR)	\$2.45
31-1030	(1)	WHEEL STUD-REAR 49MM LONG	CHEVY GMC	88-98 (AR)	\$3.45
31-1031	(1)	WHEEL STUD-REAR 76MM LONG	3/4T	88-98 (AR)	\$2.95
31-0930	(2)	LUG NUT	CHEVY GMC	88-98 (AR)	\$1.95
31-0931	(3)	LUG NUT	CHEVY GMC	90-98 (AR)	\$1.95
31-0940	(4)	LUG NUT CAP 20MM SHOULDER	3/4T	90-91 (AR)	\$2.45
31-0941	(5)	LUG NUT CAP 14MM SHOULDER	CHEVY GMC	90-98 (AR)	\$1.95

Wheel Bearing Grease Packer

Wheel Bearing Grease Packer quickly flushes out old grease and repacks the bearing with less the mess. The Wheel Bearing Grease Packer works on bearings up to 3 1/2" outer diameter. The grease stays in the tool cavity, not on your hands. To pack a bearing, simply place the bearing on the piston, press down on the cap until the old grease is forced out and the new grease shows on top of the bearing.



PART	DESCRIPTION	APPLICATION	PRICE
34-0509	WHEEL BEARING GREASE PACKER	UNIVERSAL	\$26.95

VISION Wheels ... Classic and Modern Styling for Your Truck

Old school looks using new school technology without breaking the bank! Vision Wheels are precision-crafted cast one-piece aluminum and are designed and tested to meet or exceed U.S. DOT and SAE requirements. Vision Wheels are available in painted center/machined outer or chrome finish. For 2WD applications only, will not fit 4WDs.

Each wheel carries a 1-year finish and lifetime structural warranty.

Wheels are sold individually. Center Caps are included. Lug Nuts are not included and must be purchased separately.



PART	DESCRIPTION	PRICE
37-3420	Chrome 141 Legend 5 15" X 8" 5 LUG X 5" 2WD	\$244.95



PART	DESCRIPTION	PRICE
37-3421	Gun Metal 141 Legend 5 15" X 8" 5 LUG X 5" 2WD	\$144.95



PART	DESCRIPTION	PRICE
37-3422	Gloss Black 141 Legend 5 15" X 8" 5 LUG X 5" 2WD	\$144.95



PART	DESCRIPTION	PRICE
37-3426	Chrome 142 Legend 5 18" X 8.5" 5 LUG X 5" 2WD	\$299.95
37-3430	20" X 8.5" 5 LUG X 5" 2WD	\$369.95



PART	DESCRIPTION	PRICE
37-3427	Gun Metal 142 Legend 5 18" X 8.5" 5 LUG X 5" 2WD	\$199.95
37-3431	20" X 8.5" 5 LUG X 5" 2WD	\$289.95



PART	DESCRIPTION	PRICE
37-3428	Gloss Black 142 Legend 5 18" X 8.5" 5 LUG X 5" 2WD	\$209.95
37-3432	20" X 8.5" 5 LUG X 5" 2WD	\$282.95



PART	DESCRIPTION	PRICE
37-3434	Chrome 142 Legend 6 20" X 9" 6 LUG X 5.5" 2WD	\$369.95



PART	DESCRIPTION	PRICE
37-3435	Gun Metal 142 Legend 6 20" X 9" 6 LUG X 5.5" 2WD	\$284.95



PART	DESCRIPTION	PRICE
37-3436	Gloss Black 142 Legend 6 20" X 9" 6 LUG X 5.5" 2WD	\$299.95



30-0923

For Chrome Lock Set See Page 110

PART	DESCRIPTION	PRICE
30-0923	CHROME LUG NUT 14MM	\$1.75

Center Cap Not Included. Must Be Purchased Separately.



PART	DESCRIPTION	PRICE
37-3490	Silver 55 Rally 17" X 8" 5 LUG X 5" 2WD	\$179.95
37-3491	17" X 8" 6 LUG X 5.5" 2WD	\$179.95

55 Rally Wheel Accessories

GM Official Licensed Product is purchased from an authorized GM Licensee.



37-3496



37-3497



37-3498



30-0922

PART	DESCRIPTION	PRICE
37-3496	CENTER CAP- DERBY STYLE	\$14.95
37-3497	CENTER CAP- W/DISC BRAKES	\$58.45
37-3498	CENTER CAP- W/O DISC BRAKES	\$41.95
30-0922	LUG NUT 1/2"	\$.95



Black Daytona Wheels



White Spoke Wheels



Chrome Blade Wheels



Polished Aluminum Modular Wheels

Black Daytona Wheels feature a gloss black finish over rugged welded steel construction for a performance truck look.

PART	DESCRIPTION	PRICE
37-3322	15" X 8" 5 LUG X 5"	\$119.95
37-3324	15" X 8" 6 LUG X 5.5"	\$129.95
37-3325	15" X 10" 6 LUG X 5.5"	\$159.95
37-3326	16" X 8" 6 LUG X 5.5"	\$199.95

White Spoke Wheels are a timeless 8-spoke design. Features tough, welded steel construction and gloss white finish for a classic look.

PART	DESCRIPTION	PRICE
37-3302	15" X 8" 5 LUG X 5"	\$114.95
37-3300	15" X 8" 6 LUG X 5.5"	\$129.95
48-3504-C	16" X 8" 8 LUG X 6.5"	\$189.95

Chrome Blade Wheels feature a tough rugged welded steel construction with a 5-blade directional design for the performance look. It has a triple chrome-plated finish for long-lasting wear.

PART	DESCRIPTION	PRICE
37-3352	15" X 8" 5 LUG X 5"	\$189.95
37-3353	15" X 10" 5 LUG X 5"	\$219.95
37-3354	15" X 8" 6 LUG X 5.5"	\$189.95
37-3355	15" X 10" 6 LUG X 5.5"	\$219.95
37-3356	16" X 8" 6 LUG X 5.5"	\$249.95
37-3357	16" X 8" 8 LUG X 6.5"	\$249.95

Polished Aluminum Modular Wheels feature one-piece cast aluminum construction with an 8 hole modular design fully polished to a high luster finish. Center Caps are included.

PART	DESCRIPTION	PRICE
37-3360	15" X 8" 5 LUG X 5"	\$204.95
37-3361	15" X 10" 5 LUG X 5"	\$215.95
37-3362	15" X 8" 6 LUG X 5.5"	\$199.95
37-3363	15" X 10" 6 LUG X 5.5"	\$219.95
37-3364	16" X 8" 6 LUG X 5.5"	\$237.95
48-3562-C	16" X 8" 8 LUG X 6.5"	\$229.95
37-3359	17" X 8" 6 LUG X 5.5"	\$249.95
37-3369	17" X 8" 8 LUG X 6.5"	\$239.95



Aluminum Modular Wheels



Aluminum 5 Spoke Wheels



Chrome Modular Wheels

Aluminum Modular Wheels feature one-piece cast aluminum construction with a 12 hole modular design and clear coat finish. Closed center cap included.

PART	DESCRIPTION	PRICE
37-3330	15" X 8" 5 LUG X 5"	\$169.95
37-3331	15" X 10" 5 LUG X 5"	\$189.95
37-3332	15" X 8" 6 LUG X 5.5"	\$169.95
37-3333	15" X 10" 6 LUG X 5.5"	\$189.95
37-3334	16" X 8" 6 LUG X 5.5"	\$189.95
37-3335	16" X 8" 8 LUG X 6.5"	\$189.95

Aluminum 5-Spoke Wheels feature one-piece cast aluminum construction with a clear coat finish. Closed center cap included.

PART	DESCRIPTION	PRICE
37-3310	15" X 10" 5 LUG X 5"	\$199.95
37-3312	16" X 8" 6 LUG X 5.5"	\$209.95
48-3512-C	16" X 8" 8 LUG X 6.5"	\$199.95

Chrome Modular Wheels feature tough, welded steel construction with a triple chrome-plated finish for maximum corrosion resistance.

PART	DESCRIPTION	PRICE
37-3342	15" X 8" 5 LUG X 5"	\$189.95
37-3343	15" X 10" 5 LUG X 5"	\$219.95
37-3344	15" X 8" 6 LUG X 5.5"	\$179.95
37-3345	15" X 10" 6 LUG X 5.5"	\$219.95
37-3346	16" X 8" 6 LUG X 5.5"	\$229.95
37-3347	16" X 8" 8 LUG X 6.5"	\$229.95

Wheels are sold individually. Center Caps are not included and must be purchased separately, except where noted. Lug Nuts are not included and must be purchased separately.

Chrome Center Caps and Lug Nuts



38-3767



30-0931

PART	DESCRIPTION	PRICE
Chrome Center Caps		
38-3765	2WD 5LUG X 5"	\$9.95
38-3767	2WD 4WD 6LUG X 5.5"	\$11.95
48-3628-C	2WD 4WD 8LUG X 6.5"	\$11.95

PART	DESCRIPTION	PRICE
Lug Nuts		
30-0931	STEEL WHEELS 14MM	\$2.95
30-0923	ALUMINUM WHEELS 14MM	\$1.75

2WD 1/2 Ton 5 Lug x 5" Dia. 14mm Lug
2WD 3/4 Ton 6 Lug x 5.5" Dia. 14mm Lug
2WD 3/4 Ton 8 Lug x 6.5" Dia. 14mm Lug
4WD 1/2 Ton 6 Lug x 5.5" Dia. 14mm Lug
4WD 3/4 Ton 6 Lug x 5.5" Dia. 14mm Lug
4WD 3/4 Ton 8 Lug x 6.5" Dia. 14mm Lug

Chrome Spider Center Caps



36-8225



36-8226

Spider Center Caps are the perfect upgrade for your classic steel wheels. Center caps feature high quality chrome plated die-cast steel with chrome ABS lug nut covers. Lug nut covers easily fit over standard 3/4" or 13/16" hex lug nuts.

PART	DESCRIPTION	APPLICATION	REQD	PRICE
36-8225	SPIDER CENTER CAP	6 LUG X 5.5"	(4)	\$64.95
36-8226	SPIDER CENTER CAP SET OF 4	5 LUG X 5"	(1)	\$184.95

2 Wheel Drive Rally Wheel Hubcaps



36-8139

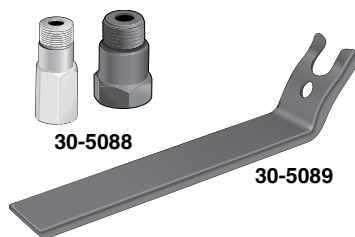


36-8140

Durable chrome-plated, injection molded plastic caps with black center decals will not rust or corrode.

PART	DESCRIPTION	APPLICATION	REQD	PRICE
36-8139	RALLY WHEEL HUBCAP	SET OF 4 2WD 1/2T 88-89	(1)	\$59.95
36-8140	RALLY WHEEL HUBCAP	SET OF 4 2WD 3/4T 88-89	(1)	\$49.45

Air Hold Fittings and Valve Spring Compressor

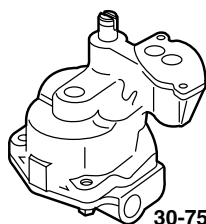


Remove or replace valve springs and/or valve guide seals without taking the cylinder head off the engine. Use by removing rocker arm and fastening the tool to rocker stud with rocker nut, then use an air hold fitting and compressed air to hold valves up.

PART	DESCRIPTION	PRICE
30-5088	AIR HOLD FITTING SET	\$4.95
30-5089	VALVE SPRING COMPRESSOR	\$12.95

Oil Pumps

1988-94 Chevy & GMC Truck

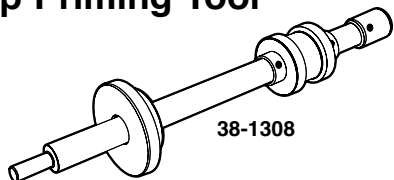


30-7522

PART	DESCRIPTION	APPLICATION	REQD	PRICE
30-7522	OIL PUMP "A"	4.3L 5.0L 5.7L 88-94	(1)	\$44.95

Note: "A" Pump has a 5/8" diameter inlet tube.

Oil Pump Priming Tool



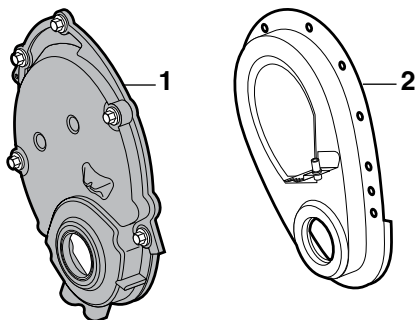
38-1308

Before starting a new or rebuilt motor for the first time, it's critical to prime the lubricating system to prevent premature wear. Failure to pressurize the oil could result in a dry start that can cause camshaft, bearing and/or piston ring failure. An Oil Pump Priming Tool makes this process easy — just remove the distributor, insert the priming tool and turn it clockwise with a 3/8" drill. The tool has a machined aluminum collar that simulates the distributor and helps to eliminate damaging side loading of the oil pump drive while priming.

PART	DESCRIPTION	APPLICATION	REQD	PRICE
38-1308	OIL PUMP PRIMING TOOL	V6 V8 CHEVY GMC 88-98	(1)	\$20.95

Timing Covers

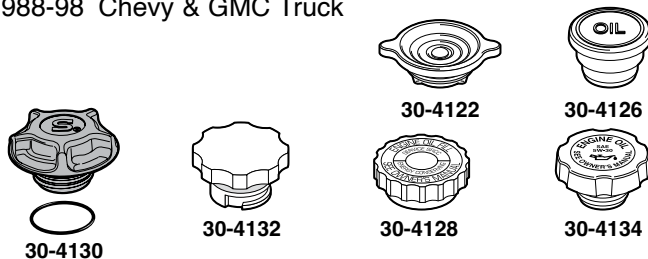
1988-98 Chevy & GMC Truck



PART	ILL#	DESCRIPTION	APPLICATION	REQD	PRICE
30-5508	(1)	PLASTIC COVER	5.0L 5.7L CHEVY GMC 96-98	(1)	\$40.95
30-5511	(2)	STEEL TIMING COVER	5.7L CHEVY GMC 88-95	(1)	\$30.95

Oil Filler Caps

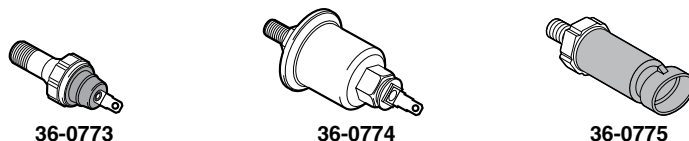
1988-98 Chevy & GMC Truck



PART	DESCRIPTION	APPLICATION	REQD	PRICE
30-4122	OIL FILLER CAP	4.3L	88 (1)	\$3.95
30-4126	OIL FILLER CAP	4.3L	89-90 (1)	\$3.95
30-4130	OIL FILLER CAP	4.3L	91-94 (1)	\$4.95
30-4132	OIL FILLER CAP	4.3L	95-98 (1)	\$4.25
30-4122	OIL FILLER CAP	5.0L 5.7L	88 (1)	\$3.95
30-4130	OIL FILLER CAP	5.0L 5.7L	89-98 (1)	\$4.95
30-4128	OIL FILLER CAP	7.4L	90 (1)	\$8.95
30-4130	OIL FILLER CAP	7.4L	91-95 (1)	\$4.95
30-4134	OIL FILLER CAP	7.4L	96-98 (1)	\$7.95
30-4122	OIL FILLER CAP	DIESEL 6.2L	88-93 (1)	\$3.95
30-4122	OIL FILLER CAP	DIESEL 6.5L	92-95 (1)	\$3.95
30-4122	OIL FILLER CAP-METAL	DIESEL 6.5L	96-97 (1)	\$3.95
30-4132	OIL FILLER CAP-PLASTIC	DIESEL 6.5L	97 (1)	\$4.25
30-4132	OIL FILLER CAP	DIESEL 6.5L	98 (1)	\$4.25

Oil Pressure Switches

1988-98 Chevy & GMC Truck

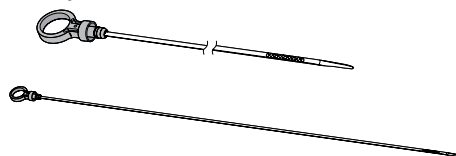


PART	DESCRIPTION	APPLICATION	REQD	PRICE
Fits Models without Gauges				
36-0773	OIL PRESSURE SWITCH "A"	4.3L CHEVY GMC 88-89	(1)	\$9.95
37-0773	OIL PRESSURE SWITCH	4.3L CHEVY GMC 90	(1)	\$10.45
36-0773	OIL PRESSURE SWITCH "A"	5.0L CHEVY GMC 88-89	(1)	\$9.95
37-0773	OIL PRESSURE SWITCH	5.0L CHEVY GMC 90	(1)	\$10.45
36-0773	OIL PRESSURE SWITCH "A"	5.7L CHEVY GMC 88-89	(1)	\$9.95
37-0773	OIL PRESSURE SWITCH	5.7L CHEVY GMC 90	(1)	\$10.45
37-0773	OIL PRESSURE SWITCH	7.4L 2WD 1/2T	90 (1)	\$10.45
Fits Models with Gauges				
36-0774	OIL PRESSURE SWITCH	4.3L CHEVY GMC 88-89	(1)	\$19.95
36-0775	OIL PRESSURE SWITCH	4.3L CHEVY GMC 90-98	(1)	\$23.45
36-0774	OIL PRESSURE SWITCH	5.0L CHEVY GMC 88-89	(1)	\$19.95
36-0775	OIL PRESSURE SWITCH	5.0L CHEVY GMC 90-98	(1)	\$23.45
36-0774	OIL PRESSURE SWITCH	5.7L CHEVY GMC 88-89	(1)	\$19.95
36-0775	OIL PRESSURE SWITCH	5.7L CHEVY GMC 90-98	(1)	\$23.45
36-0775	OIL PRESSURE SWITCH	7.4L CHEVY GMC 90-98	(1)	\$23.45
37-0775	OIL PRESSURE SWITCH	DIESEL 6.2L CHEVY GMC 92-93	(1)	\$24.95
37-0775	OIL PRESSURE SWITCH	DIESEL 6.5L CHEVY GMC 92-98	(1)	\$24.95

Note: "A" Switch has one terminal.

Oil Dipstick

1995-98 Chevy & GMC Truck

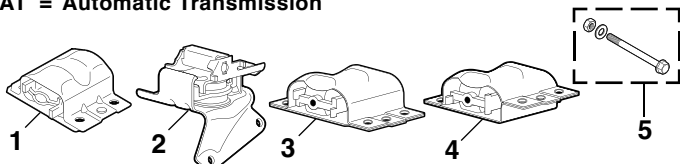


PART	DESCRIPTION	APPLICATION	REQD	PRICE
30-4424	OIL DIPSTICK	305 350 CHEVY GMC 95-98	(1)	\$14.95

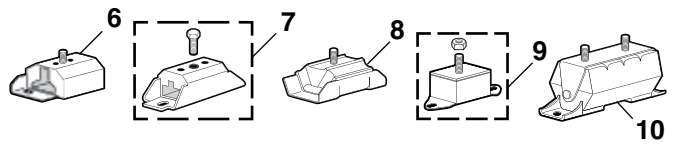
Engine and Transmission Mounts

1988-98 Chevy & GMC Truck

MT = Manual Transmission
AT = Automatic Transmission



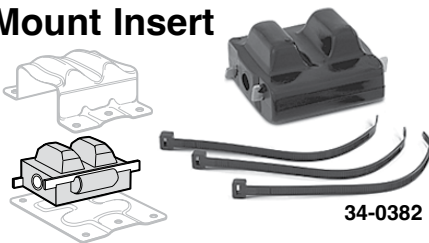
PART	ILL#	DESCRIPTION	APPLICATION	REQD	PRICE
Engine Mounts					
34-0332	(1)	ENGINE MOUNT W/4.3L	CHEVY GMC 88-95	(2)	\$8.95
35-0354	(2)	ENGINE MOUNT-LH W/4.3L	2WD 96-98	(1)	\$39.95
35-0355		ENGINE MOUNT-RH W/4.3L	2WD 96-98	(1)	\$49.95
35-0356	(3)	ENGINE MOUNT W/O 4.3L	2WD 88-98	(2)	\$12.45
35-0357	(4)	ENGINE MOUNT W/O 4.3L	4WD 88-98	(2)	\$10.95
34-0350	(5)	HARDWARE KIT-MOUNT	CHEVY GMC 88-98	(2)	\$4.25



PART	ILL#	DESCRIPTION	APPLICATION	REQD	PRICE
Transmission Mounts					
34-0363	(6)	TRANS MOUNT MT W/4.3L	2WD 88-95	(1)	\$8.45
35-0395	(7)	TRANS MOUNT MT W/O 4.3L	2WD 88-95	(1)	\$10.95
35-0396	(8)	TRANS MOUNT MT	2WD 96-98	(1)	\$7.95
34-0367	(9)	TRANS MOUNT AT W/TH400	2WD 88-90	(1)	\$10.35
34-0363		TRANS MOUNT AT W/O TH400	2WD 88-95	(1)	\$8.45
35-0395		TRANS MOUNT AT W/4.3L W/O TH400	2WD 88-95	(1)	\$10.95
35-0396	(8)	TRANS MOUNT AT	2WD 96-98	(1)	\$7.95
34-0369	(10)	TRANS MOUNT	4WD 88-98	(1)	\$13.45

Front Engine Mount Insert

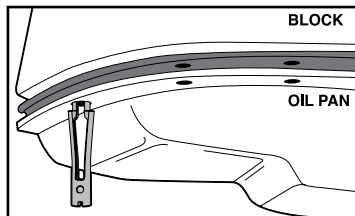
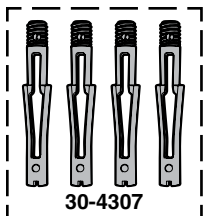
Hyper-Flex performance polyurethane mounts insert into existing metal shells. Must reuse existing outer shells and drill out welds or rivets to separate for installation.



#34-0382 is 3 bolt style.

PART	DESCRIPTION	APPLICATION	REQD	PRICE
34-0379	FRONT ENG MOUNT INSERT 4.3L	88-95	(2)	\$60.13
34-0382	FRONT ENG MOUNT INSERT 2WD 5.0L 5.7L	88-98	(2)	\$39.95
34-0382	FRONT ENG MOUNT INSERT 4WD 5.0L 5.7L 7.4L	88-98	(2)	\$39.95

Oil Pan Snap-Ups

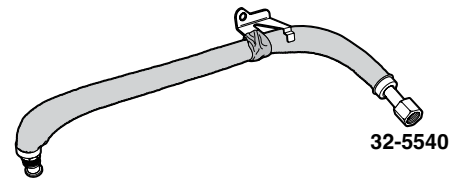
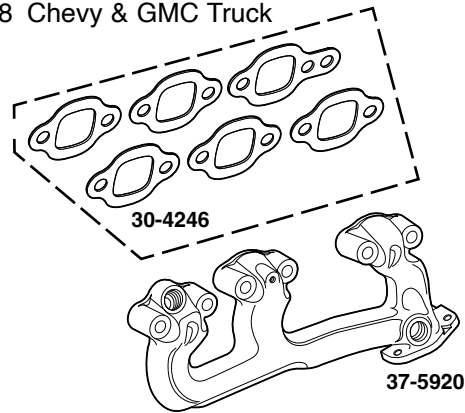


Oil Pan Snap-Ups hold the oil pan in position and line up the mounting holes, saving you the trouble of trying to get the bolt threads started to hold the pan up. It saves time and frustration by holding oil pan and gasket in place for quick and easy bolt installation.

PART	DESCRIPTION	APPLICATION	REQD	PRICE
30-4307	ENGINE OIL PAN SNAP-UPS W/O DIESEL	88-98	(1)	\$6.95
30-4308	ENGINE OIL PAN SNAP-UPS W/ DIESEL	88-98	(1)	\$6.95
30-4307	TRANS OIL PAN SNAP-UPS W/O OVERDRIVE	88-90	(1)	\$6.95
30-4308	TRANS OIL PAN SNAP-UPS W/ OVERDRIVE	88-98	(1)	\$6.95

Exhaust Manifolds and EGR Tube

1988-98 Chevy & GMC Truck



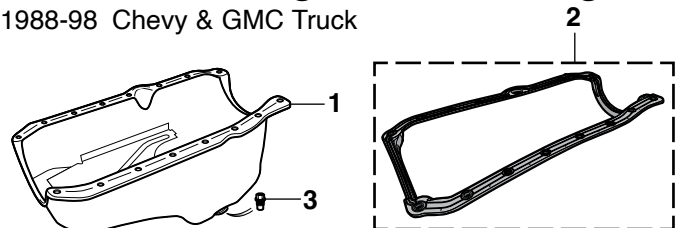
Loctite Anti-Seize Stick - See Page 152

PART	DESCRIPTION	APPLICATION	REQD	PRICE
37-5920	EXHAUST MANIFOLD-LH 4.3L	88-95	(1)	\$149.95
37-5921	EXHAUST MANIFOLD-RH 4.3L	88-95	(1)	\$156.95
30-4246	MANIFOLD GASKET SET 4.3L	88-95	(1)	\$7.95
37-5924	EXHAUST MANIFOLD-LH 5.0L 5.7L	88-95	(1)	\$101.95
37-5925	EXHAUST MANIFOLD-RH 5.0L 5.7L	88-95	(1)	\$103.95
30-4234	MANIFOLD GASKET SET 5.0L 5.7L	88-95	(1)	\$4.45
37-5926	EXHAUST MANIFOLD-LH 5.0L 5.7L	96-98	(1)	\$79.95
37-5927	EXHAUST MANIFOLD-RH "A" 5.0L 5.7L	96-98	(1)	\$72.95
31-4230	MANIFOLD GASKET SET 5.0L 5.7L	96-98	(1)	\$9.95
37-5928	EXHAUST MANIFOLD-LH 7.4L	90-95	(1)	\$130.95
37-5929	EXHAUST MANIFOLD-RH 7.4L	90-95	(1)	\$106.95
30-4238	MANIFOLD GASKET SET 7.4L	90-95	(1)	\$12.75
32-5540	EGR TUBE 5.0L 5.7L	96-98	(1)	\$96.95

Note: "A" Without CA emissions.

Oil Pans and Magnetic Drain Plug

1988-98 Chevy & GMC Truck

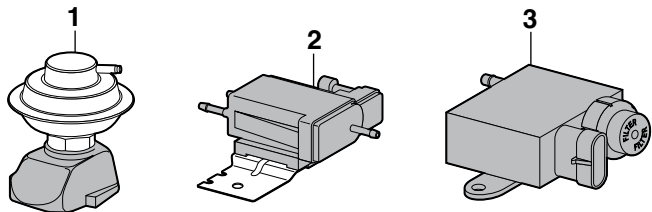


PART	ILL#	DESCRIPTION	APPLICATION	REQD	PRICE	
30-7404	(1)	OIL PAN-PLAIN W/PLUG 4.3L	88-95	(1)	\$39.95	
29-1890	(2)	GASKET-1PC 4.3L	88-95	(1)	\$32.95	
30-7414		OIL PAN-PLAIN W/PLUG 40T	5.0L 5.7L	88-98	(1)	\$44.95
38-1904		OIL PAN-CHROME W/PLUG	5.0L 5.7L	88-98	(1)	\$54.95
30-4301		GASKET-1PC	5.0L 5.7L	88-98	(1)	\$37.95
32-3770	(3)	DRAIN PLUG-MAGNETIC 1/2" 4.3L 5.0L	5.7L 7.4L	88-95	(1)	\$3.45
32-3772		DRAIN PLUG-MAGNETIC 12MM"A" 4.3L 5.0L	5.7L 7.4L	96-98	(1)	\$4.95
32-3770		DRAIN PLUG-MAGNETIC 1/2" DIESEL	88-95	(1)	\$3.45	
32-3772		DRAIN PLUG-MAGNETIC 12MM"A" DIESEL	92-98	(1)	\$4.95	

Note: "A" Original equipment oil pans are equipped with a 12mm drain plug. Replacement oil pans are equipped with a 1/2" drain plug. Measure your pan before ordering.

EGR Valves, Gaskets and Control Solenoids

1988-95 Chevy & GMC Truck

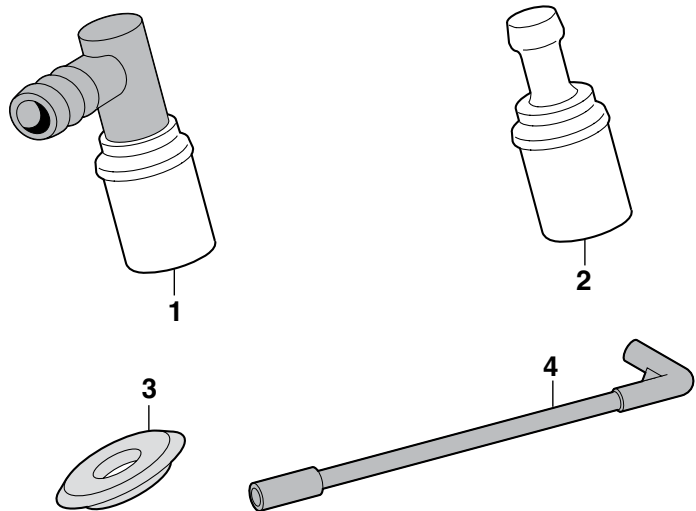


The numbers listed are OE EGR valve numbers which are stamped onto the EGR Valve. If your EGR valve number does not appear in the listing, the EGR Valve will not fit your vehicle. Check your EGR Valve before ordering to ensure you order the correct part.

PART	ILL#	DESCRIPTION	APPLICATION	REQD	PRICE
32-5562	(1)	EGR VALVE	17058455 17087025 17087026	(1)	\$54.85
			17087194 17087196 17110478 17111842		
32-5593		GASKET	17111843 17111851 17111852	(1)	\$1.95
EGR Control Solenoids					
32-5624	(2)	EGR BLEED VALVE SOLENOID	4.3L 88-91	(1)	\$25.45
32-5625		EGR BLEED VALVE SOLENOID	4.3L 92-95	(1)	\$40.65
32-5624		EGR BLEED VALVE SOLENOID	5.0L 5.7L 88-95	(1)	\$25.45
29-1763	(3)	EGR PRESSURE VALVE SOLENOID	5.7L 7.4L 88-95	(1)	\$122.45

PCV Valves and Components

1988-98 Chevy & GMC Truck

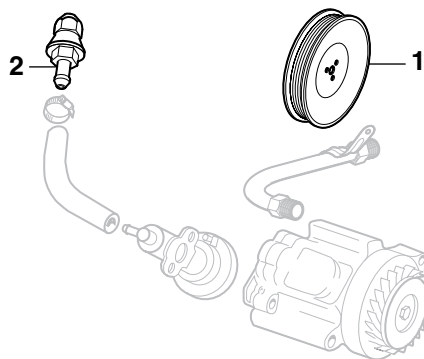


ID = Inner Diameter
OD = Outer Diameter

PART	ILL#	DESCRIPTION	APPLICATION	REQD	PRICE
30-5432	(1)	PCV VALVE	4.3L 88-95	(1)	\$1.95
30-5423	(2)	PCV VALVE	4.3L 96-98	(1)	\$1.95
30-5420	(1)	PCV VALVE	5.0L 5.7L 7.4L 88-95	(1)	\$1.95
30-5423	(2)	PCV VALVE	5.0L 5.7L 7.4L 96-98	(1)	\$1.95
30-1243	(3)	GROMMET	23/32"ID X 1"OD 88-95	(1)	\$3.75
30-1244		GROMMET	23/32"ID X 1-7/32"OD 96-98	(1)	\$4.95
30-1240		GROMMET	3/4"ID X 1-3/16"OD 90-91	(1)	\$3.45
30-5460	(4)	PCV HOSE	5.0L 5.7L 88-95	(1)	\$7.95

Air Injection Reactor (A.I.R.) Pump Check Valve

1988-93 Chevy & GMC Truck



PART	ILL#	DESCRIPTION	APPLICATION	REQD	PRICE
32-5370	(1)	A.I.R. PULLEY "A"	4.3L 5.0L 5.7L 88-93	(1)	\$21.95
32-5320	(2)	CHECK VALVE	4.3L 5.0L 5.7L 7.4L 88-93	(1)	\$19.95

Note: "A" Pulley is stamped with letters WWW.

Vapor Canister

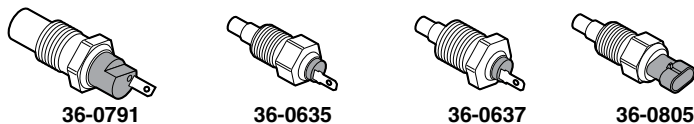
1988-95 Chevy & GMC Truck



PART	DESCRIPTION	APPLICATION	REQD	PRICE
32-7653	VAPOR CANISTER	4.3L 5.0L 5.7L 7.4L 88-95	(1)	\$114.95

Temperature Switches

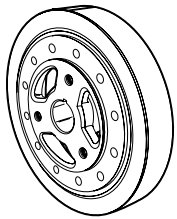
1988-98 Chevy & GMC Truck



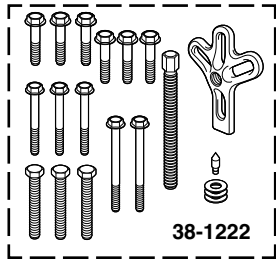
PART	DESCRIPTION	APPLICATION	REQD	PRICE
Fits Models without Gauges				
36-0794	TEMPERATURE SWITCH	4.3L 5.0L 5.7L 88-90	(1)	\$11.55
36-0791	TEMPERATURE SWITCH	7.4L 90	(1)	\$12.95
Fits Models with Gauges				
36-0635	TEMPERATURE SWITCH	4.3L 5.0L 5.7L 88-92	(1)	\$12.95
36-0805	TEMPERATURE SWITCH	4.3L 5.0L 5.7L 91-95	(1)	\$12.95
36-0806	TEMPERATURE SWITCH	4.3L 5.0L 5.7L 96-98	(1)	\$19.95
36-0637	TEMPERATURE SWITCH	7.4L 90-91	(1)	\$9.95
36-0807	TEMPERATURE SWITCH	7.4L 92-95	(1)	\$18.95
36-0808	TEMPERATURE SWITCH	7.4L 96-98	(1)	\$39.95
36-0635	TEMPERATURE SWITCH	6.2L DIESEL 88-92	(1)	\$12.95
36-0805	TEMPERATURE SWITCH	6.2L DIESEL 92-93	(1)	\$12.95
36-0805	TEMPERATURE SWITCH	6.5L DIESEL 92-98	(1)	\$12.95

Harmonic Balancer, Puller and Installer

1988-98 Chevy & GMC Truck



32-2150



38-1222



38-1223

Harmonic Balancer Puller

Removes harmonic balancer from engine without risk of damage. Four-slot, heavy-duty yoke handles any pulling job. Extra-long center screw is machined for use with included adaptor tip that centers puller on crankshaft for quick and damage-free removal. Includes five sets of hardened, flange-head bolts in standard and metric thread sizes for most engines. Order today!

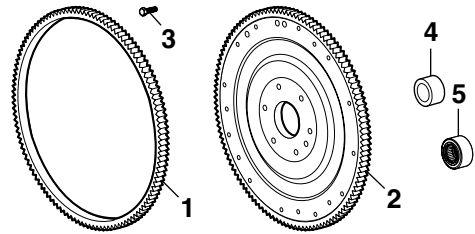
Harmonic Balancer Installer

Threaded forcing screw uses a bearing to easily slide harmonic balancer into place. Includes five standard and seven metric threaded adaptors for use on a wide range of engines.

PART	DESCRIPTION	APPLICATION	REQD	PRICE
32-2150	HARMONIC BALANCER	5.7L	88-95 (1)	\$63.95
38-1222	HARMONIC BALANCER PULLER		88-98 (1)	\$24.95
38-1223	HARMONIC BALANCER INSTALLER		88-98 (1)	\$77.95

Ring Gear, Flywheel and Flexplate

1988-98 Chevy & GMC Truck



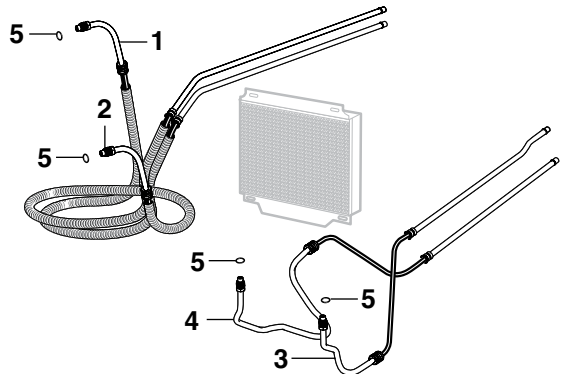
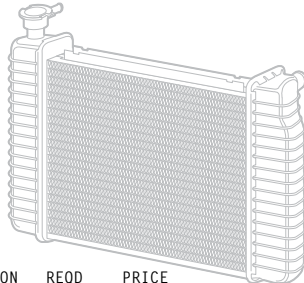
MT = Manual Transmission
AT = Automatic Transmission

PART	ILL#	DESCRIPTION	APPLICATION	REQD	PRICE
Ring Gear					
32-7799	(1)	RING GEAR	W/O DIESEL	88-98 (1)	\$14.95
Flywheel					
32-7807	(2)	FLYWHEEL	MT	5.0L 5.7L 88-98 (1)	\$99.95
Flexplate					
32-7808	(2)	FLEXPLATE	AT "A"	4.3L 88-98 (1)	\$34.95
32-7808		FLEXPLATE	AT	5.0L 88-98 (1)	\$34.95
32-7808		FLEXPLATE	AT "A"	5.7L 88-98 (1)	\$34.95
29-0264	(3)	BOLT-FLYWHEEL/FLEXPLATE	CHEVY GMC	88-98 (6)	\$1.95
32-6025	(4)	CLUTCH PILOT BUSHING	CHEVY GMC	88-98 (1)	\$3.95
32-6026	(5)	CLUTCH PILOT BEARING	CHEVY GMC	88-98 (1)	\$15.95

Note: "A" Models with 700R4 or 4L60E transmission.

Engine Oil Cooler Hose Assemblies

1988-98 Chevy & GMC Truck



PART	ILL#	DESCRIPTION	APPLICATION	REQD	PRICE
Models without Auxiliary Engine Cooler					
32-1866	(1)	HOSE-ENG/RAD-UPPER	2WD 5.0L	88-95 (1)	\$29.95
32-1867	(2)	HOSE-ENG/RAD-LOWER	2WD 5.0L	88-95 (1)	\$29.95
32-1868		HOSE-ENG/RAD-UPPER	"A" 2WD 5.0L	96-98 (1)	\$29.95
32-1869		HOSE-ENG/RAD-LOWER	"A" 2WD 5.0L	96-98 (1)	\$29.45
32-1870		HOSE-ENG/RAD-UPPER	"B" 2WD 5.0L	96-98 (1)	\$24.95
32-1871		HOSE-ENG/RAD-LOWER	"B" 2WD 5.0L	96-98 (1)	\$16.95
32-1894		HOSE-ENG/RAD-UPPER	4WD 5.0L	88-95 (1)	\$29.95
32-1895		HOSE-ENG/RAD-LOWER	4WD 5.0L	88-95 (1)	\$19.95
32-1904		HOSE-ENG/RAD-UPPER	4WD 5.0L	96-98 (1)	\$29.95
32-1905		HOSE-ENG/RAD-LOWER	4WD 5.0L	96-98 (1)	\$22.95
32-1866		HOSE-ENG/RAD-UPPER	"C" 2WD 5.7L	88-93 (1)	\$29.95
32-1867		HOSE-ENG/RAD-LOWER	"C" 2WD 5.7L	88-93 (1)	\$29.95
32-1872		HOSE-ENG/RAD-UPPER	2WD 5.7L	94-95 (1)	\$24.95
32-1873		HOSE-ENG/RAD-LOWER	2WD 5.7L	94-95 (1)	\$24.95
32-1870		HOSE-ENG/RAD-UPPER	2WD 5.7L	96-98 (1)	\$24.95
32-1871		HOSE-ENG/RAD-LOWER	2WD 5.7L	96-98 (1)	\$16.95
32-1894		HOSE-ENG/RAD-UPPER	"C" 4WD 5.7L	88-93 (1)	\$29.95
32-1895		HOSE-ENG/RAD-LOWER	"C" 4WD 5.7L	88-93 (1)	\$19.95
32-1896		HOSE-ENG/RAD-UPPER	"D" 4WD 5.7L	91-93 (1)	\$25.95
32-1897		HOSE-ENG/RAD-LOWER	"D" 4WD 5.7L	91-93 (1)	\$24.95
32-1900		HOSE-ENG/RAD-UPPER	4WD 5.7L	94-95 (1)	\$24.95
32-1901		HOSE-ENG/RAD-LOWER	4WD 5.7L	94-95 (1)	\$19.95
32-1904		HOSE-ENG/RAD-UPPER	4WD 5.7L	96-98 (1)	\$29.95
32-1905		HOSE-ENG/RAD-LOWER	4WD 5.7L	96-98 (1)	\$22.95

PART	ILL#	DESCRIPTION	APPLICATION	REQD	PRICE
Models with Auxiliary Engine Cooler					
32-1874	(3)	HOSE-COOLER-LH	4WD 5.7L	88-91 (1)	\$29.95
32-1875	(4)	HOSE-COOLER-RH	4WD 5.7L	88-91 (1)	\$36.95
32-1876		HOSE-COOLER-LH	"E" DIESEL	88-92 (1)	\$59.95
32-1877		HOSE-COOLER-LH	"F" DIESEL	92-94 (1)	\$39.95
32-1878		HOSE-COOLER-RH	DIESEL	88-94 (1)	\$44.95
32-1879		HOSE-COOLER-LH	"G" DIESEL	95-97 (1)	\$34.95
32-1903		HOSE-COOLER-RH	"G" DIESEL	95-97 (1)	\$41.95
32-1906		HOSE-COOLER-LH	"H" DIESEL	97-98 (1)	\$42.95
32-1907		HOSE-COOLER-RH	"H" DIESEL	97-98 (1)	\$44.95
29-0621	(5)	O-RING	5.0L 5.7L 7.4L	88-98 (AR)	\$.95
30-1224		O-RING	DIESEL	92-98 (AR)	\$.95

Note: "A" With 100 amp alternator.
"B" With 140 amp alternator.
"C" With 3.73 gear ratio and lower.
"D" With 4.10 gear ratio and higher.

Note: "E" Without hose protector.
"F" With hose protector.
"G" With 19mm hex oil cooler connecting nut.
"H" With 27mm hex oil cooler connecting nut.

Chrome Differential Covers



PART	DESCRIPTION	10 BOLT	1/2T	APPLICATION	REOD	PRICE
38-1817	REAR COVER	10 BOLT	1/2T	88-98	(1)	\$22.95
30-4352	COVER GASKET	10 BOLT	1/2T	88-98	(1)	\$4.95
38-1816	REAR COVER	"A" 14 BOLT	CHEVY GMC	88-98	(1)	\$19.95
30-4355	COVER GASKET	"A" 14 BOLT	CHEVY GMC	88-98	(1)	\$5.25
38-1807	REAR COVER	"B" 14 BOLT	3/4T	88-98	(1)	\$21.45
30-4353	COVER GASKET	"B" 14 BOLT	3/4T	88-98	(1)	\$2.45

Note: "A" Fits models with 9-1/2" ring gear.
"B" Fits models with 10-1/2" ring gear.

Chrome Transmission Pans



PART	DESCRIPTION	PRICE
TH400 Transmission Pans		
38-1910	FINNED STOCK DEPTH TH400	\$20.95
38-1911	FINNED +1" DEPTH TH400	\$29.95
4L60/TH700R4 & 4L60E Transmission Pans		
38-1916	FINNED STOCK DEPTH	\$29.95
38-1914	FINNED +1" DEPTH	\$27.55

Stainless Steel Coolant Overflow Kit



Stainless Steel Coolant Overflow Kit works in place of any existing coolant overflow system or can be added to vehicles not originally equipped with a coolant overflow tank. Tank holds over 1 quart of coolant and measures 3 inches wide by 16 inches tall. Kit includes stainless steel coolant overflow tank, stainless steel twist-on style cap, mounting brackets and hardware.

PART	DESCRIPTION	PRICE
36-4087	COOLANT OVERFLOW KIT-SS	\$44.95
32-1941	OVERFLOW HOSE 4FT	\$9.95
30-3410	HOSE CLAMP	\$1.95

Polished Aluminum Swivel Neck Water Outlets



Swivel Neck Water Outlets are available with three different neck angles and swivel a full 360 degrees to meet virtually any configuration requirement. Made from polished aluminum for great looks.

PART	DESCRIPTION	PRICE
38-1965	SWIVEL OUTLET 15 DEGREE	\$21.75
38-1966	SWIVEL OUTLET 45 DEGREE	\$17.45
38-1967	SWIVEL OUTLET 90 DEGREE	\$18.45
38-1979	O-RING-OUTLET	\$.95

Includes socket head bolts and o-ring seal for superior leak protection.

Chrome Master Cylinder Cover, Water Reservoir Cap and Power Steering Cap



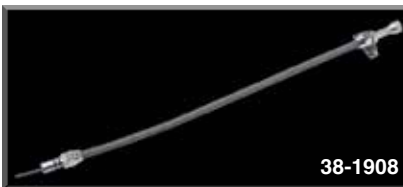
PART	DESCRIPTION	PRICE
38-1928	CYL COVER CHEVY GMC 88-98	\$7.95
38-1854	WATER RESERVOIR CAP 88-98	\$5.95
38-1859	PWR STEERING-SAGINAW 88-98	\$3.95

Chrome Air Cleaner Top



PART	DESCRIPTION	PRICE
38-1938	AIR CLEANER TOP TBI 88-92	\$19.95
38-1939	AIR CLEANER TOP TBI 93-95	\$21.95

Stainless Transmission Dipstick



PART	DESCRIPTION	PRICE
38-1908	TRANS DIPSTICK-SS TH700R4	\$46.75

Chrome Oil Filter Cover



Installs in seconds; simply slip it over your oil filter and secure it with the set screw on the cover. Fits most oil filters. Be sure to measure your oil filter before ordering. Because of some filter locations, it may be difficult to slip this over an installed oil filter; be sure to check for clearance before ordering.

PART	DESCRIPTION	PRICE
38-1878	CHROME OIL FILTER COVER 4-1/4"H X 3-11/16"W	\$15.95

Chrome Flexplate Cover



PART	DESCRIPTION	PRICE
38-1794	FLEXPLATE DUST COVER TH400	\$21.95
38-1798	FLEXPLATE DUST COVER 2WD TH700R4/4L60E	\$30.95

Chrome Radiator Cap



PART	DESCRIPTION	PRICE
38-1968	CHROME RADIATOR CAP-16LB	\$22.55

Chrome Water Outlet



PART	DESCRIPTION	PRICE
38-1850	WATER OUTLET 7.4L 90	\$21.95
38-1850	WATER OUTLET 7.4L 96-98	\$21.95
38-1978	O-RING-OUTLET	\$1.25

Gift Cards Now Available

Call (800) 562-8782

Available in \$25 - \$50 - \$100

- Gift Cards are the perfect gift to ensure you are giving exactly what they want!
- Gift Cards don't expire.
- Orders must be pre-paid. Orders received before 3:00 p.m. Central Time will ship same day.
- Gift Cards can now be redeemed through the mail or by phone.



Chrome Valve Cover Sets and Accessories



Loctite Ready Gasket - See Page 152

PART	DESCRIPTION	APPLICATION	REQD	PRICE
38-1821	CHROME VALVE COVER SET "A"	4.3L 88-93	(1)	\$49.95
30-4396	VALVE COVER GASKET SET	4.3L 88-93	(1)	\$13.25
30-4394	VALVE COVER GASKET SET	4.3L 94-95	(1)	\$14.95
38-1813	CHROME OIL CAP-SCREW IN	4.3L 88-95	(1)	\$10.95
30-2525	CHROME VALVE COVER BOLT	4.3L 88-95	(6)	\$1.95
38-1810	CHROME VALVE COVER SET	5.0L 5.7L 88-98	(1)	\$49.95
30-4397	VALVE COVER GASKET SET	5.0L 5.7L 88-98	(1)	\$15.25
30-2525	CHROME VALVE COVER BOLT	5.0L 5.7L 88-98	(8)	\$1.95
38-1824	CHROME VALVE COVER SET	7.4L 90-95	(1)	\$24.95
30-4399	VALVE COVER GASKET SET	7.4L 91-95	(1)	\$14.45
Chrome Valve Cover Accessories				
30-2523	CHROME OIL CAP-PLAIN	PUSH IN 1-1/4" OD		\$4.95
38-1814	CHROME OIL CAP-"OIL"	PUSH IN 1-1/4" OD		\$4.95
38-1802	BREATHER W/GROMMET "B"	3/4" OD		\$5.25
38-1799	BREATHER W/TUBE & GROMMET "B"	1" OD		\$5.95
30-2527	GROMMET-BREATHER/PCV	3/4" ID 1" OD		\$2.95
30-2526	GROMMET-PCV	7/16" ID 1" OD		\$3.45
30-2521	GROMMET-BREATHER/PCV	3/4" ID 1-1/4" OD		\$1.25
30-2520	GROMMET-BREATHER	1" ID 1-1/4" OD		\$1.95
30-2522	GROMMET SET	INCLUDES 30-2521 & 30-2520		\$2.95

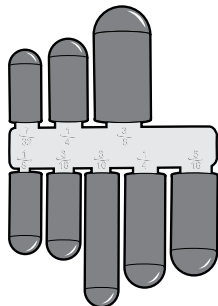
Note: "A" Requires screw type oil cap #38-1813 and #38-1802 breather cap with #30-2527 breather grommet.

"B" Not legal for sale or use on pollution controlled vehicles.

Rubber Vacuum Caps

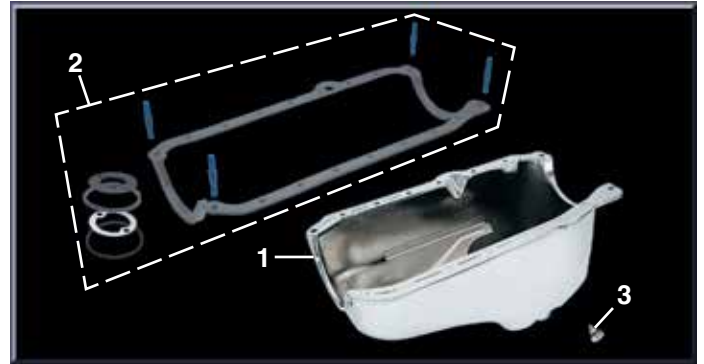
These Rubber Vacuum Caps are great for blocking off unused vacuum ports and lines, to prevent leaks and poor engine performance. Excellent for capping lines and hoses while testing carburetors, emission control systems, vacuum lines and more.

Caps are made from durable heat-resistant black rubber. Assortment contains one each of the following sizes: 5/32", 7/32", 5/16", 3/8" and two each of 3/16" and 1/4".



PART	DESCRIPTION	REQD	PRICE
30-1436	RUBBER VACUUM CAP ASSORTMENT	(1)	\$3.95

Chrome Oil Pan and Magnetic Drain Plug

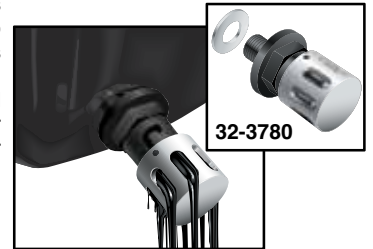


PART	ILL#	DESCRIPTION	APPLICATION	REQD	PRICE
29-1890		GASKET SET-OIL PAN	4.3L	88-95 (1)	\$32.95
38-1904	(1)	OIL PAN-CHROME W/PLUG	5.0L 5.7L	88-98 (1)	\$54.95
30-4301	(2)	GASKET SET	5.0L 5.7L	88-98 (1)	\$37.95
32-3770	(3)	DRAIN PLUG-MAGNETIC 1/2"	5.7L 7.4L	88-95 (1)	\$3.45
32-3772		DRAIN PLUG-MAGNETIC 12MM"A"	4.3L 5.0L 5.7L 7.4L	96-98 (1)	\$4.95
32-3770		DRAIN PLUG-MAGNETIC 1/2"	4.3L 5.0L	DIESEL 88-95 (1)	\$3.45
32-3772		DRAIN PLUG-MAGNETIC 12MM"A"	DIESEL	92-98 (1)	\$4.95

Note: "A" Original equipment oil pans are equipped with a 12mm drain plug, replacement oil pans are equipped with a 1/2" drain plug. Measure your pan before ordering.

EZ Oil Drain Valve

EZ Oil Drain Valve allows quick oil changes with little to no mess. Compact design has no lever to catch on obstacles. Adaptors are not required and easily installs with socket or wrench. Aluminum crush washer (included) ensures tight, leak-free seal.



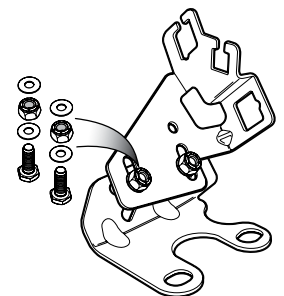
Simple operation; push in cap, twist to the right and drain. Once drained, push in and twist to left to close. Spring-tensioned, double o-ring seal guarantees a long, leak-free life.

PART	DESCRIPTION	APPLICATION	REQD	PRICE
32-3780	EZ OIL DRAIN VALVE 1/2"	GAS 88-95	(1)	\$12.95
32-3781	EZ OIL DRAIN VALVE 12MM	GAS 96-98	(1)	\$13.95
32-3780	EZ OIL DRAIN VALVE 1/2"	"A" DIESEL 88-95	(1)	\$12.95
32-3781	EZ OIL DRAIN VALVE 12MM	DIESEL 92-98	(1)	\$13.95

Note: "A" Some pans have a 12mm thread. Measure your plug before ordering.

Throttle Cable Bracket

Ideal for use in vehicles that have undergone engine and/or transmission swaps. Fits 1995 and earlier GM small block and big block V8 engines. Includes provisions for throttle, detent/throttle valve and cruise control cables. It mounts using the two rear intake manifold bolts and is adjustable for use with varying cable lengths and intake manifold heights. Call or go online and order yours today!



PART	DESCRIPTION	APPLICATION	REQD	PRICE
38-4708	THROTTLE CABLE BRACKET	CHEVY V8 88-95	(1)	\$68.95

Accessory Drive Systems

Accessory Drive Systems include:

- Powermaster 170 amp alternator
- Aluminum water pump
- Sanden AC compressor (where applicable)
- Gates tensioner and serpentine belt
- GM Type II power steering pump
- SFI Approved balancer (LS models only)
- All necessary CNC billet aluminum brackets and pulleys
- Stainless steel hardware

Available in Black Anodized and Polished Aluminum



30-3950-PL 30-3950-BL

Power steering reservoir and hoses are not included and must be purchased separately. LS Systems fit 4.8L, 5.3L and 6.0L Truck engines and will not work on engines with Variable Valve Timing (VVT).

Serpentine Drive Systems

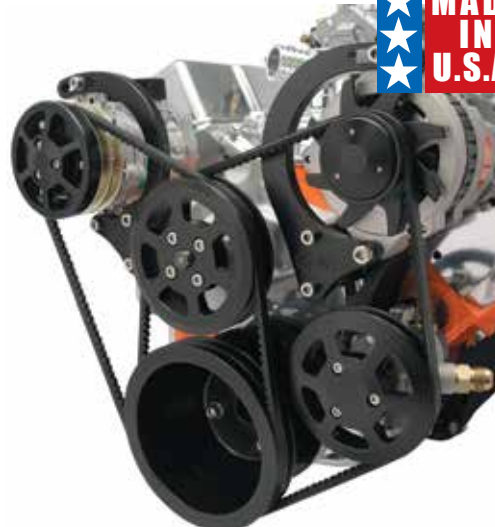
Small Block and Big Block Engines



Serpentine Drive Systems are the most compact and easiest to install serpentine kits on the market. Change the appearance and performance of your engine with pulleys and brackets CNC-machined from high quality billet aluminum. Includes six rib serpentine belt with more contact area than a traditional v-belt setup to drive all of your accessories.

V-Drive Systems

Small Block and Big Block Engines



V-Drive Systems are the most compact and easiest to install belt drive kits on the market. Change the appearance and performance of your engine with pulleys and brackets CNC-machined from high quality billet aluminum. Includes v-belt setup to drive all of your accessories at a more affordable price than a serpentine belt setup. These kits work with mechanical and electric fans.



30-3941-PL



30-3932-BL

PART	DESCRIPTION	APPLICATION	REQD	PRICE
Small Block Engines				
30-3940-BL	SERPENTINE DRIVE SYSTEM-BLACK	WITHOUT AC	(1)	\$2325.00
30-3940-PL	SERPENTINE DRIVE SYSTEM-POLISHED	WITHOUT AC	(1)	\$2325.00
30-3941-BL	SERPENTINE DRIVE SYSTEM-BLACK	WITH AC	(1)	\$2525.00
30-3941-PL	SERPENTINE DRIVE SYSTEM-POLISHED	WITH AC	(1)	\$2525.00
Big Block Engines				
30-3942-BL	SERPENTINE DRIVE SYSTEM-BLACK	WITH AC	(1)	\$2595.00
30-3942-PL	SERPENTINE DRIVE SYSTEM-POLISHED	WITH AC	(1)	\$2595.00
LS Engines				
30-3943-BL	SERPENTINE DRIVE SYSTEM-BLACK	WITH AC	(1)	\$2495.00
30-3943-PL	SERPENTINE DRIVE SYSTEM-POLISHED	WITH AC	(1)	\$2495.00
Remote Reservoir				
30-3950-BL	REMOTE RESERVOIR-BLACK		(1)	\$225.00
30-3950-PL	REMOTE RESERVOIR-POLISHED		(1)	\$225.00

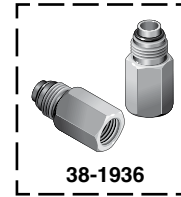
PART	DESCRIPTION	APPLICATION	REQD	PRICE
Small Block Engines				
30-3930-BL	V-DRIVE SYSTEM-BLACK	WITHOUT AC	(1)	\$1545.00
30-3930-PL	V-DRIVE SYSTEM-POLISHED	WITHOUT AC	(1)	\$1545.00
30-3931-BL	V-DRIVE SYSTEM-BLACK	WITH AC	(1)	\$1745.00
30-3931-PL	V-DRIVE SYSTEM-POLISHED	WITH AC	(1)	\$1745.00
Big Block Engines				
30-3932-BL	V-DRIVE SYSTEM-BLACK	WITHOUT AC	(1)	\$1615.00
30-3932-PL	V-DRIVE SYSTEM-POLISHED	WITHOUT AC	(1)	\$1615.00
30-3933-PL	V-DRIVE SYSTEM-POLISHED	WITH AC	(1)	\$1775.00
Remote Reservoir				
30-3950-BL	REMOTE RESERVOIR-BLACK		(1)	\$225.00
30-3950-PL	REMOTE RESERVOIR-POLISHED		(1)	\$225.00

Throttle Body Spacer

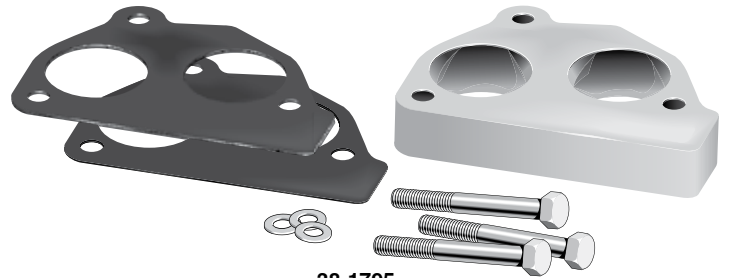
Improve performance and fuel economy ... The Throttle Body Spacer causes the fuel to travel further, which improves fuel dispersion making it easier for the fuel to ignite and burn thoroughly. Receive increased throttle response, a 10-15% improvement in torque and gas mileage increase of up to 8%. Easily installs between intake manifold and throttle body injection unit. Will not affect computer function.

Fuel Line Extension Set lengthens the fuel lines and is recommended for easier installation of throttle body spacers.

PART	DESCRIPTION	APPLICATION	REQD	PRICE
38-1795	THROTTLE BODY SPACER	4.3L V6 88-92	(1)	\$50.95
29-4871	THROTTLE BODY SPACER	4.3L V6 93-95	(1)	\$54.95
29-4883	THROTTLE BODY SPACER	4.3L V6 96-98	(1)	\$66.95
38-1795	THROTTLE BODY SPACER	5.0L 5.7L 88-92	(1)	\$50.95
29-4871	THROTTLE BODY SPACER	5.0L 5.7L 93-95	(1)	\$54.95
39-4370	THROTTLE BODY SPACER	5.0L 5.7L 96-98	(1)	\$59.95
38-1796	THROTTLE BODY SPACER	7.4L 90	(1)	\$59.95
38-1797	THROTTLE BODY SPACER	7.4L 91-95	(1)	\$104.95
38-1936	FUEL LINE EXTENSION SET	USE W/TBI SPACER	(1)	\$46.95



38-1936



38-1795



Powr-Flo Throttle Body Spacers



38-4640



38-4641

PART	DESCRIPTION	APPLICATION	REQD	PRICE
38-4640	POWR-FLO SPACER	4.3L 5.0L 5.7L 88-95	(1)	\$96.94
38-4641	POWR-FLO SPACER	5.0L 5.7L 96-98	(1)	\$116.96

Powr-Flo Throttle Body Spacers are CNC-machined from billet aluminum and feature a bore engineered to increase velocity of airflow into intake manifold. This allows more air to reach combustion chamber for denser air charge and increase in fuel efficiency. The result is improved throttle response and power gains in mid-range and upper rpm operating ranges. Includes gaskets, hardware and instructions for a simple, bolt-on installation with no other vehicle modifications required.

JET Adjustable Fuel Pressure Regulator Kit



The JET Performance Adjustable Fuel Pressure Regulator Kit is a direct replacement for the factory unit and contains a billet adjustable fuel pressure regulator with a steel insert on the adjuster to prevent stripped threads. Includes all necessary gaskets and a heavy-duty replacement diaphragm. The fuel pressure regulator kit allows for precise tuning of fuel pressure to accompany other performance modifications such as performance air filters, air intake kits, exhaust system modifications, throttle body spacers, performance camshafts and intake manifold upgrades, etc. Restores lost performance due to a worn out stock regulator. Kit reuses factory spring.

PART	DESCRIPTION	APPLICATION	REQD	PRICE
38-1937	ADJ FUEL PRESSURE REGULATOR KIT	TBI GAS 88-95	(1)	\$134.96

JET Performance Powr-Flo Mass Air Flow Sensors



The JET Performance Powr-Flo Mass Air Flow Sensor delivers improved horsepower, torque and mileage by simply replacing the restrictive stock mass air flow sensor. JET Performance's flow bench-tested design provides up to a 45% increase in airflow. Sensors require no additional vehicle modifications and are fully compatible with other performance upgrades such as performance air filters, air intake kits, exhaust system modifications and throttle body spacers. Quick, easy installation.

PART	DESCRIPTION	APPLICATION	REQD	PRICE
38-4393	POWR-FLO MAF SENSOR	4.3L 5.0L 5.7L 88-98	(1)	\$322.46
38-4394	POWR-FLO MASS AIR FLOW SENSOR	7.4L 96-98	(1)	\$322.46



Shorty Headers ... Bolt-On Power and Performance



Shorty Headers are an easy, bolt-on installation that connects to stock Y-pipes and adds power and performance to your truck. They are made from mandrel-bent, 16-gauge tubing for durability and feature milled CNC-machined thick steel flanges for a better seal.

PART	DESCRIPTION	APPLICATION	REQD	PRICE
36-6089	SHORTY HEADER-BLACK	4.3L 96-98	(1)	\$219.95



Exhaust Headers

**Bolt On
Up To
20% MORE
Horsepower**

Hedman Headers have 3" collector tubes for excellent exhaust flow, reducing back pressure and improving performance. Includes hardware, gaskets and instructions needed for installation. Headers are painted black. Tests have shown a 1.1 second improvement in 0 to 60 second times. Expect up to a 20% increase in horsepower and up to a 10% increase in gas mileage. Call or go online and order yours today!



Increases in fuel efficiency and horsepower are based on a truck operating at factory specifications. Increases may vary according to the condition of your truck and driving habits.

Limited Lifetime Warranty

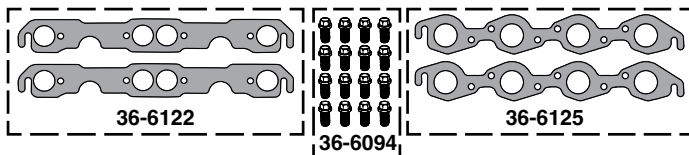
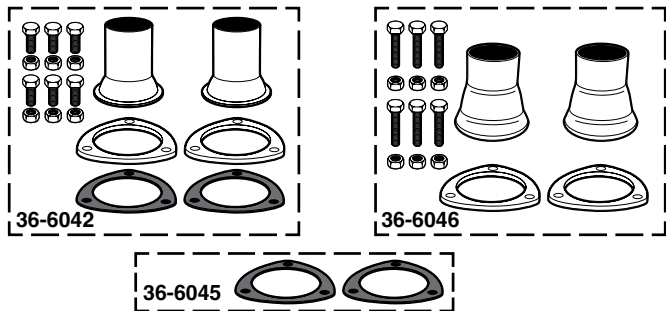
A.I.R. = Air Injection Reactor



PART	DESCRIPTION	APPLICATION	REQD	PRICE
36-6018	HEDMAN HEADER SET W/O A.I.R. "A"	5.0L 5.7L 88-95	(1)	\$599.95

Note: "A" Must modify A/C rotary bracket.

Header Components



PART	DESCRIPTION	APPLICATION	REQD	PRICE
3 Bolt Flange Style Reducers				
36-6042	HEADER REDUCER SET	3" TO 2-1/4"	(1)	\$32.95
36-6043	HEADER REDUCER SET	3" TO 2-1/2"	(1)	\$29.95
36-6044	HEADER REDUCER SET	3" TO 3"	(1)	\$32.95
36-6045	GASKET SET-REDUCER	3"	(1)	\$4.35
Ball Flange Style Reducers				
36-6046	HEADER REDUCER SET	3" TO 2-1/4"	(1)	\$35.95
36-6047	HEADER REDUCER SET	3" TO 2-1/2"	(1)	\$35.95
36-6048	HEADER REDUCER SET	3" TO 3"	(1)	\$39.95
Header Bolts				
36-6094	HEADER BOLT SET	ALL 3/4" LONG 88-98	(1)	\$15.95
Header Gaskets				
36-6122	HEADER GASKET SET	V8 305-350	88-98 (1)	\$15.95
36-6125	HEADER GASKET SET	V8 454	88-98 (1)	\$16.95

If you're adding a new set of headers or building a new exhaust system, these are the pieces you'll need to complete the project. Header Reducers have 3" collectors and are available to fit exhaust pipe sizes from 2-1/4" to 3". Reducer Gasket Set is a replacement for 3" flange style reducers.

Cat-Back Performance Dual Exhaust System with Resonator Tips



**Exceptional Sound
with Increased
Horsepower**

These performance Dual Exhaust Systems have a straight-through design that reduces back pressure for more low-end torque, increased horsepower and better fuel economy. Manufactured from 16-gauge, mandrel bent aluminized steel, increasing flow up to 20% more than stock. Exhaust systems have 3-1/2" diameter resonator tips that replace the original muffler. Easy bolt-on installation, no welding required. Hangers, fasteners and steel clamps are included. Exhaust exits the rear of truck.



These systems are designed for clearance of an original size spare tire mounted underneath the bed. If you have an oversize spare, it will have to be removed to use these systems.

These are longbed systems, front extension pipes will need to be cut to fit shortbed model trucks.

PART	DESCRIPTION	APPLICATION	REQD	PRICE
Cat-Back Performance Dual Exhaust Systems				
The Cat-Back System replaces stock exhaust system from the catalytic converter back.				
36-5651	CAT-BACK PERFORMANCE EXHAUST SYS W/STAINLESS ANGLE TIPS	3" CAT 5.7L 88-93	(1)	\$479.95*
36-5652	CAT-BACK PERFORMANCE EXHAUST SYS W/STAINLESS ANGLE TIPS 4.3L	5.0L 5.7L 94-95	(1)	\$499.95*
36-5660	CAT-BACK PERFORMANCE EXHAUST SYS W/BLACK POWDER BLUNT TIPS	2-1/2" CAT 4.3L 5.0L 88-93	(1)	\$399.95*
36-5661	CAT-BACK PERFORMANCE EXHAUST SYS W/BLACK POWDER BLUNT TIPS	3" CAT 5.7L 88-93	(1)	\$399.95*
36-5662	CAT-BACK PERFORMANCE EXHAUST SYS W/BLACK PWDR BLUNT TIP 4.3L	5.0L 5.7L 94-95	(1)	\$429.95*

* Or ** after the sell price means your order will incur an Oversize Part Charge for each oversized part. * Means extra charge will be \$20. ** Means extra charge will be \$50. Due to packing and/or transportation requirements, please allow additional time for delivery. Oversized Parts are not available for air delivery.



36-5559



36-5557

Replacement Resonator Tips

The 3-1/2" diameter resonator tips replace the original muffler and give your truck that deep performance tone without being too loud. Available in stainless steel angle tip or black powder coat blunt tip.

PART	DESCRIPTION	APPLICATION	REQD	PRICE
36-5559	RESONATOR TIP-STAINLESS STEEL REPLACEMENT FOR PERFORMANCE	ANGLE CUT EXHAUST SYSTEMS	(2)	\$82.95
36-5557	RESONATOR TIP-BLACK POWDER COAT REPLACEMENT FOR PERFORMANCE	BLUNT CUT EXHAUST SYSTEMS	(2)	\$64.95

Magnetic Glove Dispenser



Glove Dispenser features two large magnets that hold the dispenser in place. You can also mount it on a wall using the screw slots provided. Fits all common sizes of disposable rubber glove boxes, both 50 and 100 packs. The dispenser has 3 adjusting springs which can be adjusted as necessary to hold various box sizes. Made of powder coated steel.

PART	DESCRIPTION	PRICE
38-0719	MAGNETIC GLOVE DISPENSER	\$25.95

Disposable Black Nitrile Gloves

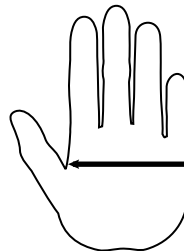
Disposable Black Nitrile Gloves are made from durable, powder-free 6 mil thick patented material for superior strength and tear-through resistance.

Gloves feature a fully textured finish for better grip with a two-ply construction that is tough enough to withstand exposure to grease, solvents and oil. Sold as a box of 100.

Glove Sizing:

Place your hand on a flat ruler with your index finger next to the zero line:

- 3-1/2" = Medium**
- 4" = Large**
- 4-1/2" = X-Large**



PART	DESCRIPTION	PRICE
38-0712-M	MEDIUM 100 GLOVE PACK	\$26.95
38-0712-L	LARGE 100 GLOVE PACK	\$26.95
38-0712-1X	X-LARGE 100 GLOVE PACK	\$26.95

Header Wrap



Increase performance by keeping hot exhaust gasses inside the headers for maximum velocity, improved exhaust scavenging and protecting sensitive engine components from high temperatures.

Header Wrap is able to withstand temperatures up to 1,200°F and is made from vermiculite-coated, textured fiberglass yarn woven into a strong, flexible wrap that can easily be cut with scissors.

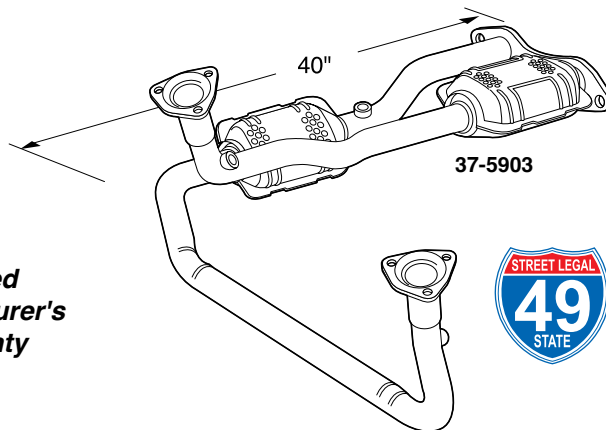
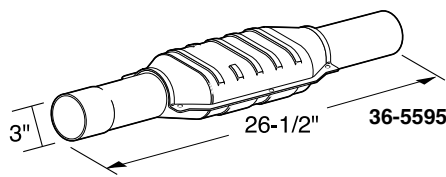
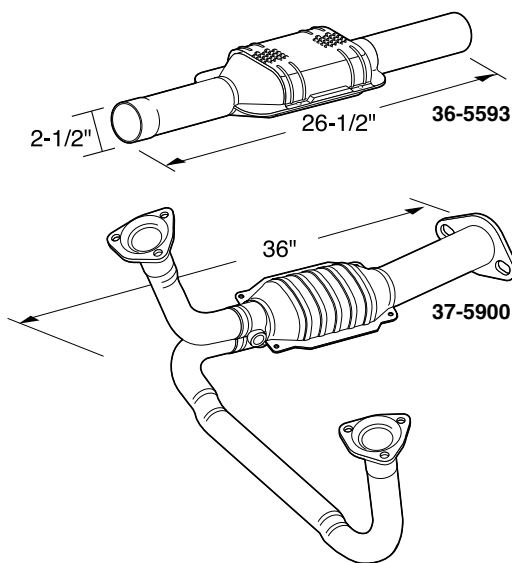
Available in 25 or 50-foot rolls of 1" or 2" widths. Two 50-foot rolls of 2" wide are generally enough to wrap standard V8 headers. Stainless steel locking cable ties keep the wrap securely in place. *Header Wrap can void warranty of some headers. Check header manufacturer's warranty before installing.*

Headers with tight bends should use 1" wide wrap for coverage. Overlap wrap 1/4" for optimum heat dissipation.

PART	DESCRIPTION	APPLICATION	PRICE
36-6181	HEADER WRAP	1" X 25'	\$10.95
36-6182	HEADER WRAP	1" X 50'	\$20.95
36-6183	HEADER WRAP	2" X 25'	\$16.45
36-6184	HEADER WRAP	2" X 50'	\$29.95
30-1793	CABLE TIE-SS	7-1/2"	\$2.95
30-1794	CABLE TIE-SS	14-1/2"	\$3.95

Replacement Catalytic Converters

1988-98 Chevy & GMC Truck



**Limited
Manufacturer's
Warranty**

PART	DESCRIPTION	APPLICATION	REQD	PRICE
36-5593	CATALYTIC CONVERTER	4.3L 1/2T 88-93	(1)	\$330.00
37-5900	CATALYTIC CONVERTER	4.3L CHEVY GMC 94-95	(1)	\$348.00**
36-5593	CATALYTIC CONVERTER	5.0L CHEVY GMC 88-93	(1)	\$330.00
37-5900	CATALYTIC CONVERTER	5.0L CHEVY GMC 94-95	(1)	\$348.00**
36-5595	CATALYTIC CONVERTER	5.7L 1/2T 88-93	(1)	\$272.00
37-5900	CATALYTIC CONVERTER	5.7L CHEVY GMC 94-95	(1)	\$348.00**
37-5903	CATALYTIC CONVERTER "A"	5.7L CHEVY GMC 96-98	(1)	\$608.00**

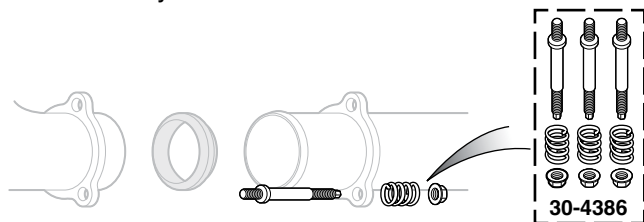
Note: "A" Fits models with dual catalytic converter.

In August 1986 the U.S. Environmental Protection Agency issued strict new guidelines regulating aftermarket Catalytic Converters. Our Replacement Catalytic Converters are designed and manufactured to meet EPA emission requirements. With many states getting more stringent with their emission testing, we are pleased to be able to offer you a reasonably priced, proven and tested product that is legal for road use in 49 states and Canada. Replacement converters are not legal for sale or use in California.

* Or ** after the sell price means your order will incur an Oversize Part Charge for each oversized part. * Means extra charge will be \$20. ** Means extra charge will be \$50. Due to packing and/or transportation requirements, please allow additional time for delivery. Oversized Parts are not available for air delivery.

Exhaust Flange Spring Bolt Kit

1988-95 Chevy & GMC Truck



PART	DESCRIPTION	APPLICATION	REQD	PRICE
30-4386	EX SPRING BOLT KIT	4.3L 5.0L 5.7L 88-95	(2)	\$11.95
30-4386	EX SPRING BOLT KIT-RH	DIESEL 6.2L 88-93	(1)	\$11.95
30-4386	EX SPRING BOLT KIT	7.4L 90-95	(2)	\$11.95

Thermal Spark Plug Boot Sleeve Set



Thermal Spark Plug Boot Sleeves provide thermal protection against hot exhaust headers. Double-layer gray fiberglass sleeves are non-conductive and can directly contact hot surfaces without harmful effects. Chemically-resistant 3/4" diameter braided sleeves easily slip over any spark plug wire and boot configuration to protect from temperatures up to 1,200°F. Call or go online and order yours today!

PART	DESCRIPTION	PRICE
36-6190	SPARK PLUG BOOT SLEEVE SET	\$14.45



**Performer 5.0 and 5.7 Liter TBI Power Parts
... Provide Incredible Power**

Edelbrock Performer TBI Power parts are designed to greatly increase performance and driveability in the low to mid rpm range. Performer parts provide incredible power for passing, towing, climbing grades and daily driving. Your stock engine will be more efficient, with the potential for increased mileage.

#38-4212 Cam Kit is designed for use with the #38-4695 TBI Manifold and is 50 State Street Legal.



38-4212

PART	DESCRIPTION	APPLICATION	REQD	PRICE
38-4212	PERFORMER PLUS CAM KIT	5.0L 5.7L 88-95	(1)	\$306.95



For trucks originally equipped with TBI.

#38-4695 is not legal in California for use on emission controlled vehicles. 1966 and newer U.S. manufactured California Certified vehicles are considered emission controlled vehicles.



38-4695

PART	DESCRIPTION	APPLICATION	REQD	PRICE
38-4695	PERFORMER TBI MANIFOLD	5.0L 5.7L 88-95	(1)	\$494.95

**Dual Electric Cooling Fan Assembly
... For Improved Cooling, Fuel Economy and Power**



38-4889

38-4893



Part #	Size	Motor	CFM	Amp Draw
38-4889	26"W X 15"H X 3.23"D	2 X 130 watt	2310	14.4
38-4890	26"W X 15"H X 3.62"D	2 X 160 watt	2600	24.8
38-4893	33.5"W X 17"H X 3.9"D	2 X 225 watt	4320	34.5

Dual Electric Cooling Fan Assembly provides increased horsepower and improved MPG. Electric fans provide increased cooling at idle when needed most and eliminate the draw of a mechanical engine-driven fan. Increased airflow across A/C condenser gives cooler, more consistent A/C temperatures at low engine speeds.

Dual Electric Fan Assemblies have a quiet S-blade design and include a wiring harness, relay, adjustable fan temperature switch, mounting brackets and installation instructions.

A/C Cooling Fan Harness activates the electric cooling fan when the A/C compressor clutch is engaged. Kit includes heavy-gauge wire harness, relay, 30 amp fuse, electrical connections and installation instructions.

PART	DESCRIPTION	APPLICATION	REQD	PRICE
Models with 28" Wide Radiators				
<i>Mounting Brackets Included</i>				
38-4889	COOLING FAN ASSEMBLY-DUAL 12"	2310 CFM	(1)	\$426.54
38-4890	COOLING FAN ASSEMBLY-DUAL 12"	2600 CFM	(1)	\$434.22
38-4897	MOUNTING BRACKET KIT		(1)	\$23.54
Models with 34" Wide Radiators				
<i>Does Not Include Mounting Brackets</i>				
38-4893	COOLING FAN ASSEMBLY-DUAL 16"	4320 CFM	(1)	\$562.41
38-4899	MOUNTING BRACKET KIT		(1)	\$91.74
Accessories				
38-4898	A/C HARNESS W/RELAY		(1)	\$46.25

Electric Cooling Fan Kit Keeps Your Engine Cool



38-4892

38-4896

38-4894

38-4895



Electric Cooling Fan and high-performance motor give maximum air delivery while working off the electrical system. Fan blade and shroud are constructed of glass-filled nylon for strength and durability; includes mounting hardware as well as easy-to-follow instructions.

Fan Mounting Bracket Kit is recommended for optimum mounting strength and performance on all electric cooling fans.

#38-4894 Adjustable Thermostat, sold separately, operates fan only when needed. Adjustable Thermostat is adjustable from 150°-240°F.

Quick Re-Installation Kit contains everything needed to reinstall cooling fan if removed.

Part #	Size	Motor	CFM	Amp Draw
38-4892	16-7/8"W X 15-7/8"T X 3.87"D	160 watt	1950	13.1

PART	DESCRIPTION	APPLICATION	REQD	PRICE
38-4892	COOLING FAN KIT-16" 8 BLADE	1950 CFM	(1)	\$118.73
38-4896	FAN MOUNTING BRACKET KIT		(1)	\$44.95
38-4894	ADJUSTABLE THERMOSTAT		(1)	\$28.98
38-4895	QUICK RE-INSTALLATION KIT		(AR)	\$7.40



TBI Small Block and Big Block Chrome Air Cleaner Top

Chrome Air Cleaner Tops are direct replacements for stock air cleaner tops on trucks with throttle body injection. Tops are stamped from 18-gauge steel and triple chrome plated for a high-quality finish and great looks. Sealing ring included.



PART	DESCRIPTION	APPLICATION	REQD	PRICE
38-4616	TBI AIR CLEANER TOP	CHEVY GMC 88-92	(1)	\$44.95

Radiator Components

1988-98 Chevy & GMC Truck

See Illustration on Page 127

W/AC = With Air Conditioning
W/O AC = Without Air Conditioning

PART	ILL#	DESCRIPTION	APPLICATION	REQD	PRICE
32-0035	(1)	RADIATOR CAP 4.3L 5.0L 5.7L 7.4L	88-98	(1)	\$3.95
32-0025		RADIATOR CAP 6.2L 6.5L DIESEL	88-93	(1)	\$4.95
32-0036	(2)	RADIATOR CAP W/SAFETY LEVER	CHEVY GMC 88-98	(1)	\$6.95
32-0080	(3)	RADIATOR DRAIN TAP-1/4" NPT	CHEVY GMC 88-93	(1)	\$5.45
33-0082		RADIATOR DRAIN TAP	CHEVY GMC 94-98	(1)	\$5.45
33-2800	(4)	FAN SHROUD-UPPER 4.3L	CHEVY GMC 88-93	(1)	\$19.95
33-2801	(5)	FAN SHROUD-LOWER 4.3L	CHEVY GMC 88-93	(1)	\$19.95
33-2802		FAN SHROUD-UPPER 4.3L	CHEVY GMC 94-98	(1)	\$24.95
33-2803		FAN SHROUD-LOWER 4.3L	CHEVY GMC 94-98	(1)	\$19.95
33-2806		FAN SHROUD-UPPER W/O AC "A"	5.0L 88-90	(1)	\$13.95
33-2807		FAN SHROUD-LOWER W/O AC "A"	5.0L 88-90	(1)	\$13.95
33-2806		FAN SHROUD-UPPER W/AC 5.0L	CHEVY GMC 88-93	(1)	\$13.95
33-2807		FAN SHROUD-LOWER W/AC 5.0L	CHEVY GMC 88-93	(1)	\$13.95
33-2806		FAN SHROUD-UPPER 5.0L	CHEVY GMC 94-98	(1)	\$13.95
33-2807		FAN SHROUD-LOWER 5.0L	CHEVY GMC 94-98	(1)	\$13.95
33-2806		FAN SHROUD-UPPER W/O AC "A"	5.7L 88-90	(1)	\$13.95
33-2807		FAN SHROUD-LOWER W/O AC "A"	5.7L 88-90	(1)	\$13.95
33-2806		FAN SHROUD-UPPER W/AC 5.7L	88-90	(1)	\$13.95
33-2807		FAN SHROUD-LOWER W/AC 5.7L	88-90	(1)	\$13.95
33-2806		FAN SHROUD-UPPER W/AC "B"	5.7L 91-93	(1)	\$13.95
33-2807		FAN SHROUD-LOWER W/AC "B"	5.7L 91-93	(1)	\$13.95
33-2806		FAN SHROUD-UPPER "C"	5.7L 94	(1)	\$13.95
33-2807		FAN SHROUD-LOWER "C"	5.7L 94	(1)	\$13.95
33-2810		FAN SHROUD-UPPER "D"	5.7L 94	(1)	\$30.95
33-2811		FAN SHROUD-LOWER "D"	5.7L 94	(1)	\$22.95
33-2810		FAN SHROUD-UPPER 5.7L	CHEVY GMC 95-98	(1)	\$30.95
33-2811		FAN SHROUD-LOWER 5.7L	CHEVY GMC 95-98	(1)	\$22.95
29-0366	(6)	BOLT	CHEVY GMC 88-92	(9)	\$1.45
31-0255		BOLT	CHEVY GMC 93-98	(9)	\$.95
29-0542	(7)	U-NUT	CHEVY GMC 88-98	(6)	\$.95
39-9572-T	(8)	GRILLE/RAD SUPPORT	CHEVY GMC 88-95	(1)	\$149.95
39-9572-T		GRILLE/RAD SUPPORT 4.3L	CHEVY GMC 96-98	(1)	\$149.95
39-9572-T		GRILLE/RAD SUPPORT "E" 5.0L	CHEVY GMC 96-98	(1)	\$149.95
29-0830	(9)	CLIP	CHEVY GMC 88-93	(2)	\$.95
29-0830	(10)	RETAINER-PANEL	CHEVY GMC 88-93	(6)	\$.95

Note: "A" For models with engine oil cooler.
 "B" For models with 3.08, 3.42 or 3.73 rear end ratio.
 "C" For models with 3.08 or 3.42 rear end ratio.
 "D" For models with 3.73, 4.10 or 4.56 rear end ratio.
 "E" For models with 100 amp alternator.

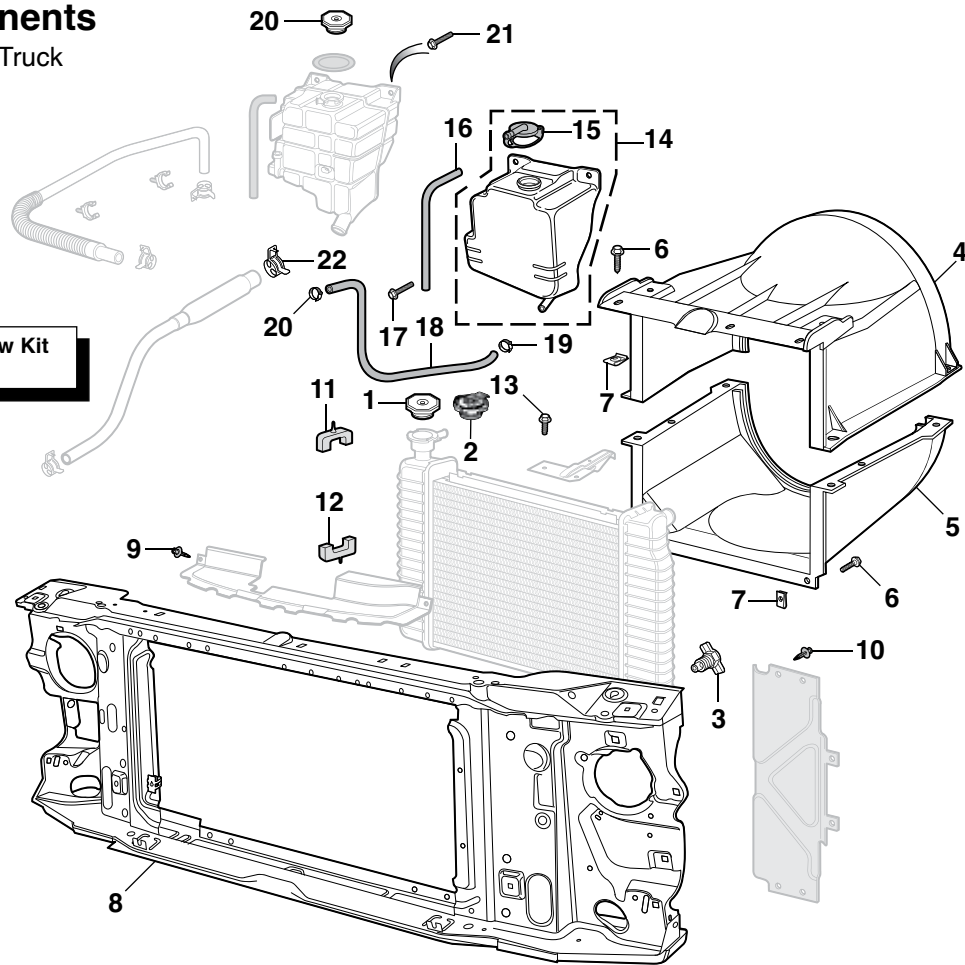
PART	ILL#	DESCRIPTION	APPLICATION	REQD	PRICE
33-0970	(11)	SUPPORT PAD-UPPER 4.3L	CHEVY GMC 88-98	(2)	\$3.95
33-0970		SUPPORT PAD-UPPER 5.0L	CHEVY GMC 88-98	(2)	\$3.95
33-0970		SUPPORT PAD-UPPER 5.7L	CHEVY GMC 88-90	(2)	\$3.95
33-0970		SUPPORT PAD-UPPER "F" 5.7L	CHEVY GMC 91-93	(2)	\$3.95
33-0970		SUPPORT PAD-UPPER "G" 5.7L	CHEVY GMC 94	(2)	\$3.95
33-0976	(12)	SUPPORT PAD-LOWER-LH 4.3L	CHEVY GMC 88-98	(1)	\$3.95
33-0977		SUPPORT PAD-LOWER-RH 4.3L	CHEVY GMC 88-98	(1)	\$4.45
33-0976		SUPPORT PAD-LOWER-LH 5.0L	CHEVY GMC 88-98	(1)	\$3.95
33-0977		SUPPORT PAD-LOWER-RH 5.0L	CHEVY GMC 88-98	(1)	\$4.45
33-0976		SUPPORT PAD-LOWER-LH 5.7L	CHEVY GMC 88-90	(1)	\$3.95
33-0977		SUPPORT PAD-LOWER-RH 5.7L	CHEVY GMC 88-90	(1)	\$4.45
33-0976		SUPPORT PAD-LOWER-LH "F" 5.7L	CHEVY GMC 91-93	(1)	\$3.95
33-0977		SUPPORT PAD-LOWER-RH "F" 5.7L	CHEVY GMC 91-93	(1)	\$4.45
33-0976		SUPPORT PAD-LOWER-LH "G" 5.7L	CHEVY GMC 94	(1)	\$3.95
33-0977		SUPPORT PAD-LOWER-RH "G" 5.7L	CHEVY GMC 94	(1)	\$4.45
29-0366	(13)	BOLT-BRACKET	CHEVY GMC 88-92	(4)	\$1.45
31-0255		BOLT-BRACKET	CHEVY GMC 93-98	(4)	\$.95
33-0090	(14)	RADIATOR OVERFLOW TANK 4.3L 5.0L	88-98	(1)	\$25.95
33-0090		RADIATOR OVERFLOW TANK 5.7L 7.4L	88-98	(1)	\$25.95
33-0090		RADIATOR OVERFLOW TANK 6.2L 6.5L DSL	88-93	(1)	\$25.95
33-0100	(15)	OVERFLOW CAP 4.3L 5.0L 5.7L 7.4L	88-98	(1)	\$6.95
33-0100		OVERFLOW CAP 6.2L 6.5L DIESEL	88-93	(1)	\$6.95
32-1957	(16)	OVERFLOW HOSE 4.3L 5.0L 5.7L 7.4L	88-98	(1)	\$5.95
32-1957		OVERFLOW HOSE 6.2L 6.5L DIESEL	88-93	(1)	\$5.95
29-0200	(17)	BOLT 4.3L 5.0L 5.7L 7.4L	88-98	(2)	\$1.25
29-0200		BOLT 6.2L 6.5L DIESEL	88-93	(2)	\$1.25
32-1939	(18)	OVERFLOW HOSE 4.3L 5.0L	88-98	(1)	\$13.95
32-1939		OVERFLOW HOSE 5.7L 7.4L	88-98	(1)	\$13.95
32-1939		OVERFLOW HOSE 6.2L 6.5L DIESEL	88-93	(1)	\$13.95
30-3424	(19)	HOSE CLAMP 4.3L 5.0L 5.7L 7.4L	88-98	(2)	\$1.55
30-3424		HOSE CLAMP 6.2L 6.5L DIESEL	88-93	(2)	\$1.55
32-0025	(20)	OVERFLOW CAP 6.5L	DIESEL 94-98	(1)	\$4.95
29-0200	(21)	BOLT 6.5L	DIESEL 94-98	(2)	\$1.25
30-3405	(22)	HOSE CLAMP-TANK 6.5L	DIESEL 94-98	(1)	\$1.95

Note: "F" For models without 4.10 or 4.56 rear end ratio.
 "G" For models without 3.73, 4.10 or 4.56 rear end ratio.

-T after a part number means that part must be shipped Truck Freight. An additional \$150.00 will be charged to your order for delivery in the 48 contiguous United States. Orders outside of the 48 states will be quoted. Additional delivery time required.

Radiator Components

1988-98 Chevy & GMC Truck



Universal Coolant Overflow Kit
See Page 128

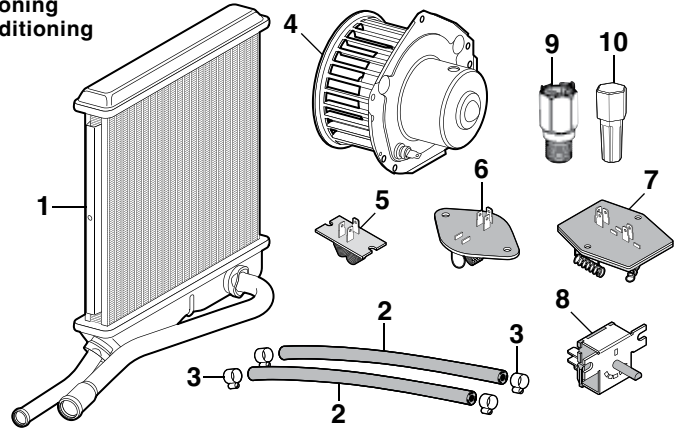
Radiators
See Page 128

Heater Components

1988-98 Chevy & GMC Truck

W/AC = With Air Conditioning
W/O AC = Without Air Conditioning

PART	ILL#	DESCRIPTION	W/O AC	APPLICATION	REQD	PRICE
32-2540	(1)	HEATER CORE	W/O AC	CHEVY GMC 88-91	(1)	\$39.95
32-2541		HEATER CORE	W/AC	CHEVY GMC 88-91	(1)	\$34.95
32-2541		HEATER CORE		CHEVY GMC 92-98	(1)	\$34.95
32-1930	(2)	HOSE-HEATER-5/8"	5FT	CHEVY GMC 88-98	(1)	\$4.95
32-1935		HOSE-HEATER-3/4"	5FT	CHEVY GMC 88-98	(1)	\$4.95
40-3425-C	(3)	CLAMP-HOSE		CHEVY GMC 88-98	(AR)	\$1.95
32-2440	(4)	BLOWER MOTOR W/FAN	W/O AC	CHEVY GMC 88-91	(1)	\$49.95
32-2441		BLOWER MOTOR W/FAN	W/AC	CHEVY GMC 88-91	(1)	\$49.95
32-2441		BLOWER MOTOR W/FAN		CHEVY GMC 92-96	(1)	\$49.95
32-2442		BLOWER MOTOR W/FAN		CHEVY GMC 97-98	(1)	\$59.95
32-2407	(5)	BLOWER RESISTOR	"A"	CHEVY GMC 88-89	(1)	\$11.95
32-2412	(6)	BLOWER RESISTOR	"B"	CHEVY GMC 88-89	(1)	\$21.55
32-2412		BLOWER RESISTOR	"C"	CHEVY GMC 88-89	(1)	\$21.55
32-2412		BLOWER RESISTOR	"D"	CHEVY GMC 88-89	(1)	\$21.55
32-2412		BLOWER RESISTOR	"E"	CHEVY GMC 88-89	(1)	\$21.55
32-2412		BLOWER RESISTOR	"F"	CHEVY GMC 88-89	(1)	\$21.55
32-2412		BLOWER RESISTOR	"G"	CHEVY GMC 88-89	(1)	\$21.55
32-2412		BLOWER RESISTOR	"H"	CHEVY GMC 88-89	(1)	\$21.55
32-2412		BLOWER RESISTOR	"I"	CHEVY GMC 88-89	(1)	\$21.55
32-2412		BLOWER RESISTOR	"J"	CHEVY GMC 88-89	(1)	\$21.55
32-2412		BLOWER RESISTOR	"K"	CHEVY GMC 88-89	(1)	\$21.55
32-2412		BLOWER RESISTOR	"L"	CHEVY GMC 88-89	(1)	\$21.55
32-2412		BLOWER RESISTOR	"M"	CHEVY GMC 88-89	(1)	\$21.55
32-2412		BLOWER RESISTOR	"N"	CHEVY GMC 88-89	(1)	\$21.55
32-2412		BLOWER RESISTOR	"O"	CHEVY GMC 88-89	(1)	\$21.55
32-2412		BLOWER RESISTOR	"P"	CHEVY GMC 88-89	(1)	\$21.55
32-2412		BLOWER RESISTOR	"Q"	CHEVY GMC 88-89	(1)	\$21.55
32-2412		BLOWER RESISTOR	"R"	CHEVY GMC 88-89	(1)	\$21.55
32-2412		BLOWER RESISTOR	"S"	CHEVY GMC 88-89	(1)	\$21.55
32-2412		BLOWER RESISTOR	"T"	CHEVY GMC 88-89	(1)	\$21.55
32-2412		BLOWER RESISTOR	"U"	CHEVY GMC 88-89	(1)	\$21.55
32-2412		BLOWER RESISTOR	"V"	CHEVY GMC 88-89	(1)	\$21.55
32-2412		BLOWER RESISTOR	"W"	CHEVY GMC 88-89	(1)	\$21.55
32-2412		BLOWER RESISTOR	"X"	CHEVY GMC 88-89	(1)	\$21.55
32-2412		BLOWER RESISTOR	"Y"	CHEVY GMC 88-89	(1)	\$21.55
32-2412		BLOWER RESISTOR	"Z"	CHEVY GMC 88-89	(1)	\$21.55



Note: "A" Without heavy-duty heater or air conditioning.
"B" With heavy-duty heater or air conditioning.
"C" For models with 3 speed blower switch.
"D" For models with 4 speed blower switch.

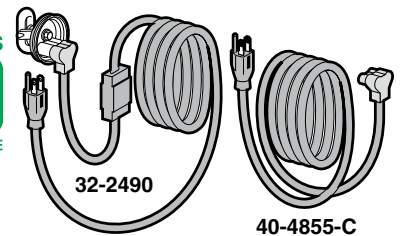
PART	ILL#	DESCRIPTION	W/O AC	APPLICATION	REQD	PRICE
36-0596	(8)	BLOWER CNTRL SWITCH	W/O AC	CHEVY GMC 88-91	(1)	\$16.45
32-1928	(9)	FITTING-HOSE TO ENGINE		CHEVY GMC 90-98	(1)	\$10.95
32-1929	(10)	HOSE FITTING REMOVAL TOOL		CHEVY GMC 90-98	(1)	\$7.45

Engine Block Heaters

A pre-heated engine saves on fuel costs, starts quicker, runs smoother, warms cab interior, defrosts quicker and reduces engine wear and tear.

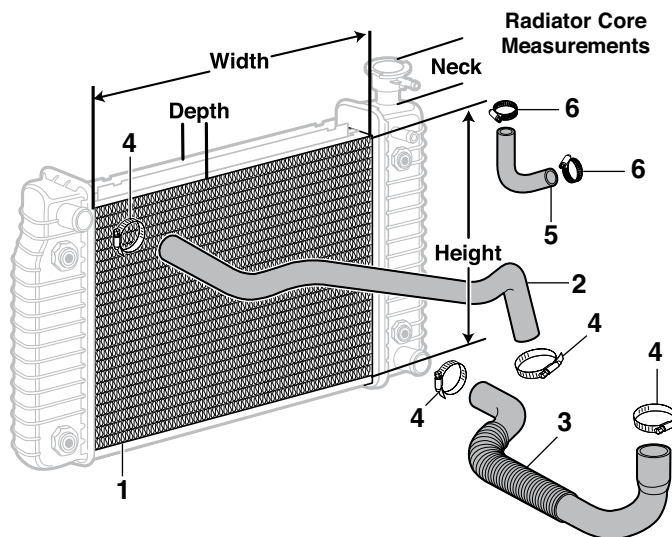
PART	DESCRIPTION	W/O AC	APPLICATION	REQD	PRICE
32-2492	ENGINE BLOCK HEATER KIT	W/O 7.4L	CHEVY GMC 88-98	(1)	\$29.95
40-4851-C	ENGINE BLOCK HEATER KIT	7.4L	CHEVY GMC 90	(1)	\$34.95
32-2490	ENGINE BLOCK HEATER KIT	7.4L	CHEVY GMC 91-98	(1)	\$29.95
40-4855-C	REPLACEMENT CORD		CHEVY GMC	(AR)	\$17.95

Engine Block Heaters are complete with cord and detailed easy-to-follow instructions for a simple installation directly into your engine block.



Radiators

1988-98 Chevy & GMC Truck



Radiator Part #	Radiator Core Size			
33-2550	17-1/4" H	20-3/4" W	1-1/4" D	• 1 Row W/EOC
33-2552	17-1/4" H	28-1/2" W	1" D	• 1 Row W/EOC
33-2553	17-1/4" H	28-1/4" W	1-1/4" D	• 1 Row W/EOC
33-2554	17-1/4" H	34" W	1-1/4" D	• 1 Row W/EOC
33-2555	17-1/4" H	34" W	2-1/8" D	• 2 Row W/EOC
33-2556	17" H	34" W	1-3/4" D	• 2 Row W/EOC

Radiator Core Size: The height and width of the central part of the radiator, between the tanks and the side pieces. Consists of parallel rows of tubes and fins.

Rows: The number of rows refers to the number of parallel rows of tubes in the core.

Engine Oil Coolers: Some models were originally equipped with an Engine Oil Cooler mounted in the radiator. On models not originally equipped with an Engine Oil Cooler, the oil cooler portion of the radiator is simply not used.

W/EOC = With Engine Oil Cooler

PART	ILL#	DESCRIPTION	APPLICATION	REQD	PRICE
Radiator 4.3L 262 V6 Engine					
33-2550	(1)	RADIATOR	4.3L	88-93 (1)	\$119.95*
33-2552		RADIATOR	4.3L	95-98 (1)	\$167.95*
Radiator 5.0L 305 V8 Engine					
33-2550		RADIATOR	5.0L	88-93 (1)	\$119.95*
33-2553		RADIATOR	5.0L	88-94 (1)	\$169.95*
33-2552		RADIATOR	5.0L	95-98 (1)	\$167.95*
33-2554		RADIATOR	5.0L	95-98 (1)	\$239.95*
Radiator 5.7L 350 V8 Engine					
33-2550		RADIATOR	5.7L	88-93 (1)	\$119.95*
33-2553		RADIATOR	5.7L	88-94 (1)	\$169.95*
33-2555		RADIATOR	5.7L	88-93 (1)	\$274.45*
33-2556		RADIATOR	5.7L	92-93 (1)	\$229.95*
33-2554		RADIATOR	5.7L	95-98 (1)	\$239.95*
Radiator 7.4L 454 V8 Engine					
33-2555		RADIATOR	7.4L	88-93 (1)	\$274.45*
33-2556		RADIATOR	7.4L	92-93 (1)	\$229.95*

* Or ** after the sell price means your order will incur an Oversize Part Charge for each oversized part. * Means extra charge will be \$20. ** Means extra charge will be \$50. Due to packing and/or transportation requirements, please allow additional time for delivery. Oversized Parts are not available for air delivery.

PART	ILL#	DESCRIPTION	APPLICATION	REQD	PRICE
32-1637	(2)	HOSE-TOP	"A" 4.3L	88-91 (1)	\$14.95
32-1638		HOSE-TOP	4.3L	92-93 (1)	\$32.95
32-1646		HOSE-TOP	"B" 5.0L 5.7L	88-95 (1)	\$19.95
32-1629		HOSE-TOP	"A"C" 5.0L 5.7L	88-89 (1)	\$17.95
32-1648		HOSE-TOP	"C" 5.0L 5.7L	96-98 (1)	\$27.95
32-1633		HOSE-TOP	7.4L	90-95 (1)	\$19.95
32-1657		HOSE-TOP	7.4L	96-98 (1)	\$16.95
32-1651		HOSE-TOP	6.2L DIESEL	88-93 (1)	\$24.95
32-1651		HOSE-TOP	6.5L DIESEL	92-95 (1)	\$24.95
32-1727	(3)	HOSE-BOTTOM	4.3L	88-93 (1)	\$19.95
32-1732		HOSE-BOTTOM	5.0L 5.7L	88-98 (1)	\$24.95
32-1757		HOSE-BOTTOM	7.4L	90-93 (1)	\$19.95
30-3426	(4)	CLAMP-HOSE	ALL	88-98 (4)	\$1.95
32-1837	(5)	HOSE-BYPASS	4.3L 5.0L 5.7L	96-98 (1)	\$12.95
30-3424	(6)	CLAMP-HOSE	4.3L 5.0L 5.7L	96-98 (2)	\$1.55
32-1836		HOSE-BYPASS	"A" 7.4L	90-98 (1)	\$7.95
30-3405		CLAMP-HOSE	7.4L	90-98 (2)	\$1.95

Note: "A" Must be sized and cut to fit.
 "B" Models with 28-1/4" wide radiator core.
 "C" Models with 34" wide radiator core.

AC and Fuel Line Disconnect Tool Set



Disconnects Air Conditioning and Quick-Connect Fuel Lines. This handy Disconnect Tool Set disconnects the spring lock couplings on air conditioning lines, and fuel line quick connect couplings. Easy to use in confined spaces. Set includes six sizes: 5/16", 3/8", 1/2", 5/8", 3/4" and 7/8".

PART	DESCRIPTION	REQD	PRICE
38-1373	AC-FUEL LINE DISCONNECT TOOL SET	(1)	\$9.95

Universal Coolant Overflow Kit

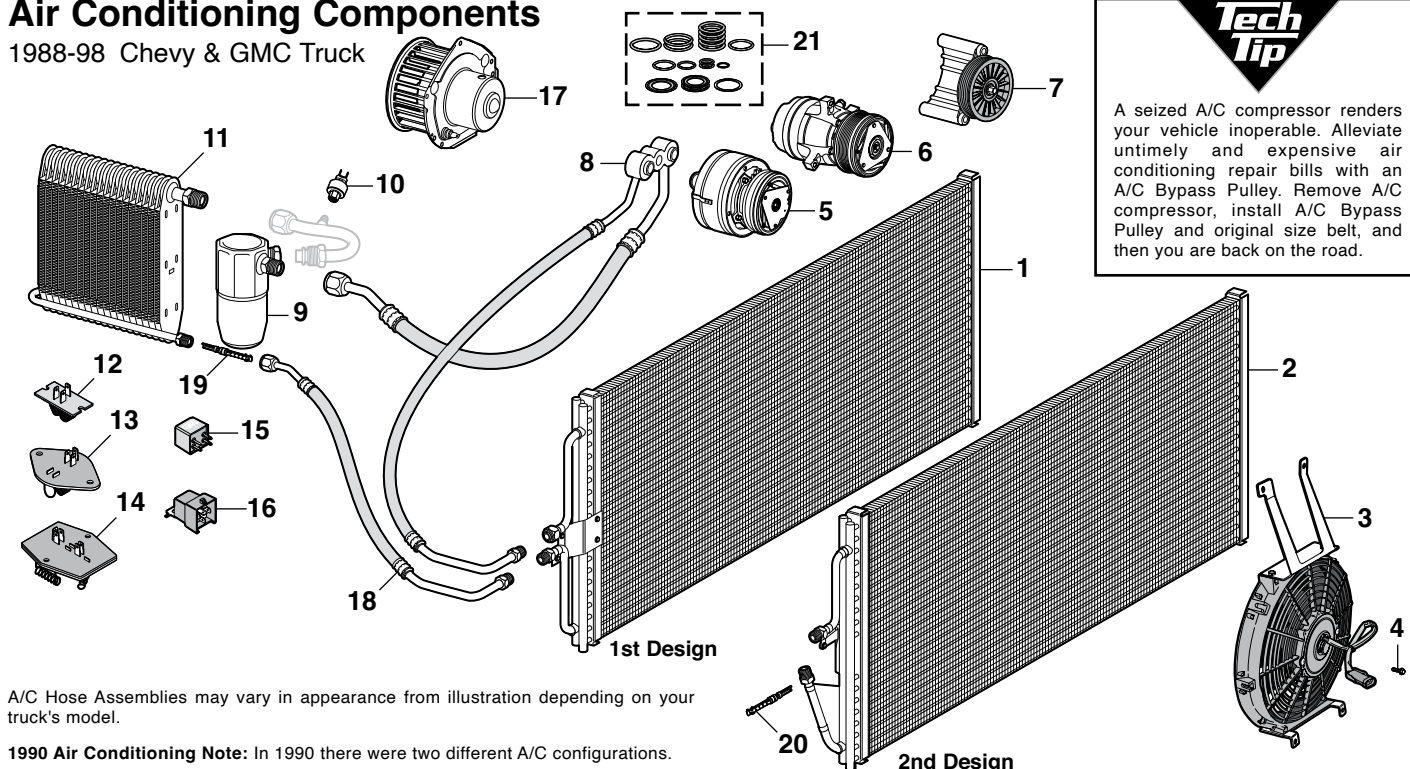


Universal Coolant Overflow Kit includes coolant overflow tank with steel wire mounting bracket that holds over two quarts of coolant and measures 6" wide x 4-1/2" deep x 7-1/2" tall. It comes with four feet of hose, attaching hardware and easy-to-follow instructions. Fluid levels can easily be read without removing the twist-on style cap.

PART	DESCRIPTION	REQD	PRICE
36-4086	UNIVERSAL COOLANT OVERFLOW KIT	(1)	\$24.95

Air Conditioning Components

1988-98 Chevy & GMC Truck



A/C Hose Assemblies may vary in appearance from illustration depending on your truck's model.

1990 Air Conditioning Note: In 1990 there were two different A/C configurations.

1st Design: Lower A/C condenser tube has a female fitting and the orifice tube is located near the evaporator.

2nd Design: Lower A/C condenser tube has the orifice tube and a male fitting.

W/AC = With Air Conditioning
W/O AC = Without Air Conditioning

PART	ILL#	DESCRIPTION	APPLICATION	REQD	PRICE
33-0200	(1)	A/C CONDENSER 1ST DESIGN	CHEVY GMC 88-90	(1)	\$136.95
33-0201	(2)	A/C CONDENSER 2ND DESIGN	CHEVY GMC 90-93	(1)	\$99.95
33-0202		A/C CONDENSER	CHEVY GMC 94-98	(1)	\$99.95
33-2772	(3)	FAN ASSEMBLY-ELECTRIC	CHEVY GMC 88-98	(1)	\$54.95
30-0981	(4)	BOLT-FAN	CHEVY GMC 88-98	(4)	\$1.25
32-2711-R	(5)	COMPRESSOR-REMAN	CHEVY GMC 88-91	(1)	\$279.95
33-2725-R		COMPRESSOR-REMAN	CHEVY GMC 92	(1)	\$269.95
29-2730-R		COMPRESSOR-REMAN	CHEVY GMC 93-95	(1)	\$269.95
33-2726-R	(6)	COMPRESSOR-REMAN	CHEVY GMC 96-98	(1)	\$239.95
32-2750	(7)	A/C BYPASS PULLEY 4.3L-5.7L	CHEVY GMC 90-95	(1)	\$63.95
32-2751		A/C BYPASS PULLEY 4.3L-7.4L	CHEVY GMC 96-98	(1)	\$59.95
33-2201	(8)	A/C HOSE ASSY 1ST	4.3L CHEVY GMC 90	(1)	\$69.95
33-2206		A/C HOSE ASSY	4.3L CHEVY GMC 94	(1)	\$54.95
33-2208		A/C HOSE ASSY	4.3L 1/2T 96-98	(1)	\$64.95
33-2210		A/C HOSE ASSY	5.0L 5.7L CHEVY GMC 88-89	(1)	\$64.95
33-2211		A/C HOSE ASSY 1ST	5.0L 5.7L CHEVY GMC 90	(1)	\$49.95
33-2212		A/C HOSE ASSY 2ND	5.0L 5.7L CHEVY GMC 90	(1)	\$69.95
33-2213		A/C HOSE ASSY	5.0L 5.7L CHEVY GMC 91	(1)	\$52.95
33-2214		A/C HOSE ASSY	5.0L 5.7L CHEVY GMC 92	(1)	\$69.95
33-2215		A/C HOSE ASSY	5.0L 5.7L CHEVY GMC 93	(1)	\$66.95
33-2216		A/C HOSE ASSY	5.0L 5.7L CHEVY GMC 94	(1)	\$59.95
33-2217		A/C HOSE ASSY	5.0L 5.7L CHEVY GMC 95	(1)	\$49.95
33-2218		A/C HOSE ASSY	5.0L 5.7L CHEVY GMC 96-98	(1)	\$60.95
33-2226		A/C HOSE ASSY	7.4L 3/4T 96-98	(1)	\$89.95
33-2238		A/C HOSE ASSY	DIESEL CHEVY GMC 96-98	(1)	\$69.95
33-0230	(9)	ACCUMULATOR	CHEVY GMC 88	(1)	\$19.95
33-0231		ACCUMULATOR	CHEVY GMC 89-90	(1)	\$19.95
33-0232		ACCUMULATOR	CHEVY GMC 91-93	(1)	\$19.95
33-0233		ACCUMULATOR	CHEVY GMC 94-95	(1)	\$19.95
33-0234		ACCUMULATOR	CHEVY GMC 96-98	(1)	\$18.95
32-2415	(10)	PRESSURE CUT-OFF SWITCH	CHEVY GMC 88	(1)	\$12.95
33-0221		PRESSURE CUT-OFF SWITCH	CHEVY GMC 89-93	(1)	\$9.95
33-0222		PRESSURE CUT-OFF SWITCH	CHEVY GMC 94-98	(1)	\$9.95
33-0250	(11)	EVAPORATOR CORE	CHEVY GMC 88-90	(1)	\$89.95
32-2581		EVAPORATOR CORE	CHEVY GMC 91-93	(1)	\$79.95
33-0252		EVAPORATOR CORE	CHEVY GMC 94-98	(1)	\$79.95

PART	ILL#	DESCRIPTION	APPLICATION	REQD	PRICE
32-2407	(12)	BLOWER RESISTOR	"A" CHEVY GMC 88-89	(1)	\$11.95
32-2412	(13)	BLOWER RESISTOR	"B" CHEVY GMC 88-89	(1)	\$21.55
32-2412		BLOWER RESISTOR	"C" CHEVY GMC 90-94	(1)	\$21.55
32-2413	(14)	BLOWER RESISTOR	CHEVY GMC 93-94	(1)	\$19.95
32-2414		BLOWER RESISTOR	CHEVY GMC 95-98	(1)	\$15.95
36-0870	(15)	RELAY-A/C COMPRESSOR	CHEVY GMC 88-94	(1)	\$13.95
36-0875		RELAY-A/C COMPRESSOR	CHEVY GMC 95-98	(1)	\$7.95
36-0870	(16)	RELAY-BLOWER MOTOR	CHEVY GMC 88-94	(2)	\$13.95
36-0874		RELAY-BLOWER MOTOR	CHEVY GMC 95-98	(1)	\$13.45
32-2440	(17)	BLOWER MOTOR W/FAN	W/O AC CHEVY GMC 88-91	(1)	\$49.95
32-2441		BLOWER MOTOR W/FAN	W/AC CHEVY GMC 88-91	(1)	\$49.95
32-2441		BLOWER MOTOR W/FAN	CHEVY GMC 92-96	(1)	\$49.95
32-2442		BLOWER MOTOR W/FAN	CHEVY GMC 97-98	(1)	\$59.95
33-2261	(18)	HOSE-CONDENSER TO EVAP	2ND CHEVY GMC 90-93	(1)	\$34.95
33-2262		HOSE-CONDENSER TO EVAP	CHEVY GMC 94-95	(1)	\$19.95
33-2263		HOSE-CONDENSER TO EVAP	CHEVY GMC 96-98	(1)	\$26.95
33-2262		HOSE-CONDENSER TO EVAP	W/O DIESEL CHEVY GMC 96-98	(1)	\$19.95
32-0780	(19)	ORIFICE TUBE	1ST CHEVY GMC 88-90	(1)	\$2.95
32-0781	(20)	ORIFICE TUBE	2ND CHEVY GMC 90-98	(1)	\$2.25
32-0700	(21)	A/C O-RING SET	CHEVY GMC 88-91	(1)	\$4.95
33-2240		A/C O-RING SET	CHEVY GMC 92-98	(1)	\$6.45

Note: "A" Without heavy-duty heater or air conditioning.
 "B" With heavy-duty heater or air conditioning.
 "C" For models with 3 speed blower switch.
 "D" For models with 4 speed blower switch.

Climate Control Insulation Tape

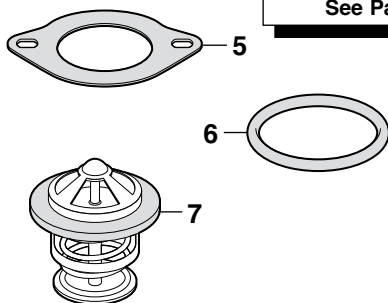
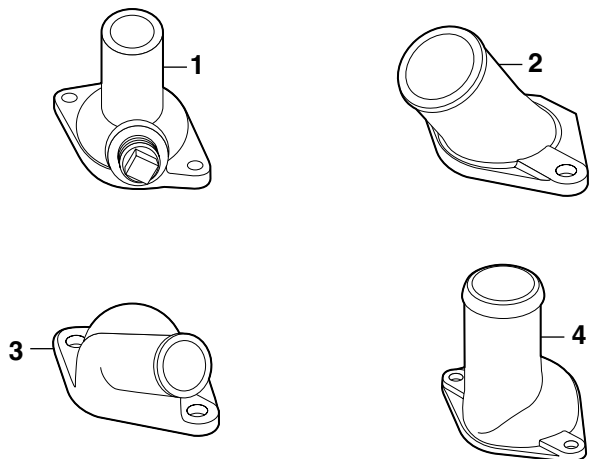
Air conditioning "tacky tape" for expansion valves, evaporator cases and other applications.



PART	DESCRIPTION	PRICE
32-2574	CLIMATE CONTROL INSULATION TAPE	\$18.95

Water Outlets and Thermostats

1988-98 Chevy & GMC Truck



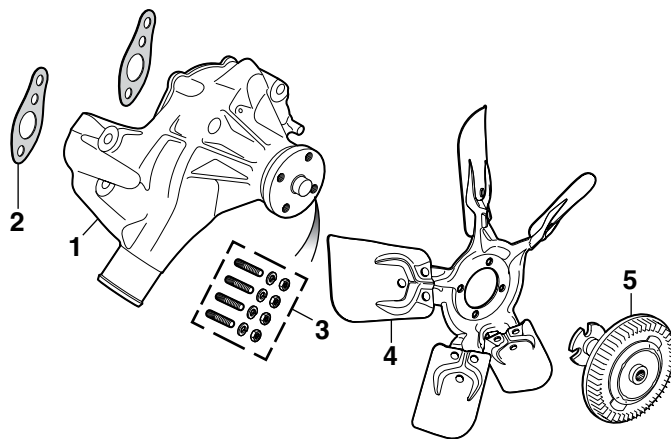
Loctite Ready Gasket
See Page 152

PART	ILL#	DESCRIPTION	APPLICATION	REQD	PRICE
32-0172	(1)	WATER OUTLET	4.3L 88-95	(1)	\$10.95
32-0149	(2)	WATER OUTLET	5.0L 5.7L 88-95	(1)	\$8.45
32-0156	(3)	WATER OUTLET	5.0L 5.7L 96-98	(1)	\$13.45
38-1850	(4)	WATER OUTLET-CHROME	7.4L 90	(1)	\$21.95
32-0152		WATER OUTLET	7.4L 90	(1)	\$9.95
38-1850	(4)	WATER OUTLET-CHROME	7.4L 96-98	(1)	\$21.95
30-4285	(5)	GASKET	4.3L 88-91	(1)	\$1.95
30-4280		GASKET	4.3L 92	(1)	\$1.25
30-4286	(6)	SEAL	4.3L 93-95	(1)	\$2.45
30-4285		GASKET	5.0L 5.7L 88-91	(1)	\$1.95
30-4286		SEAL	5.0L 5.7L 92-95	(1)	\$2.45
30-4285		GASKET	7.4L 90-91	(1)	\$1.95
30-4284		GASKET	7.4L 92-95	(1)	\$1.95
30-4284		GASKET	DIESEL 6.2L 88-93	(1)	\$1.95
30-4286		SEAL	DIESEL 6.5L 92-95	(1)	\$2.45
30-4284		GASKET	DIESEL 6.5L 96-98 (AR)		\$1.95
30-4286		SEAL	DIESEL 6.5L 96-98 (AR)		\$2.45
38-1978		REPLACEMENT O-RING	FITS 38-1850 ONLY	(1)	\$1.25
32-0123	(7)	THERMOSTAT 160 SUMMER	4.3L 5.0L 5.7L 88-95	(1)	\$8.45
32-0124		THERMOSTAT 180 STD	4.3L 5.0L 5.7L 88-95	(1)	\$7.45
32-0125		THERMOSTAT 195 WINTER	4.3L 5.0L 5.7L 88-95	(1)	\$6.45
32-0117		THERMOSTAT 195 W/SEAL	4.3L 5.0L 5.7L 96-98	(1)	\$9.95
32-0123		THERMOSTAT 160 SUMMER	7.4L 90-91	(1)	\$8.45
32-0124		THERMOSTAT 180 STANDARD	7.4L 90-91	(1)	\$7.45
32-0125		THERMOSTAT 195 WINTER	7.4L 90-91	(1)	\$6.45
32-0129		THERMOSTAT 180 STANDARD	7.4L 92-95	(1)	\$5.55
32-0118		THERMOSTAT 195 WINTER	7.4L 92-95	(1)	\$3.95
32-0119		THERMOSTAT 195 W/SEAL	7.4L 96-98	(1)	\$8.95
32-0123		THERMOSTAT 160 SUMMER	DSL 6.5L 96-98 (AR)		\$8.45
32-0124		THERMOSTAT 180 STANDARD	DSL 6.5L 96-98 (AR)		\$7.45
32-0125		THERMOSTAT 195 WINTER	DSL 6.5L 96-98 (AR)		\$6.45

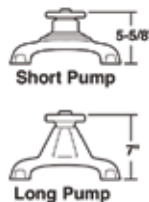
Note: "A" Both a gasket and a seal are required for 1996-98 6.5L Diesel models.

Water Pumps and Fan Clutch

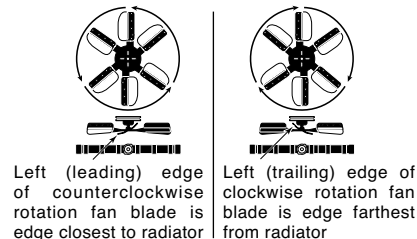
1988-98 Chevy & GMC Truck



Water Pump Identification



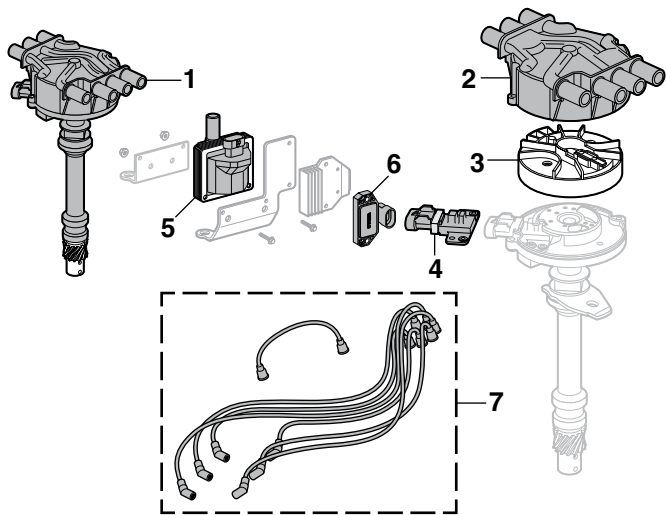
How to Identify Clockwise and Counterclockwise Rotation



PART	ILL#	DESCRIPTION	APPLICATION	REQD	PRICE
32-2666	(1)	WATER PUMP	4.3L 5.0L 88-95	(1)	\$35.95
32-2677		WATER PUMP	4.3L 5.0L 96-98	(1)	\$43.45
32-2666		WATER PUMP	5.7L 88-91	(1)	\$35.95
32-2666		WATER PUMP W/LONG PUMP	5.7L 92	(1)	\$35.95
32-2666		WATER PUMP	5.7L 93-95	(1)	\$35.95
32-2677		WATER PUMP	5.7L 96-98	(1)	\$43.45
32-2671		WATER PUMP	7.4L 90-98	(1)	\$41.15
30-4322	(2)	GASKET	4.3L 5.0L 88-98	(2)	\$.99
30-4322		GASKET	5.7L 88-98	(2)	\$.99
30-4324		GASKET	7.4L 90-98	(2)	\$1.95
30-4340		GASKET	DIESEL 6.2L 88-93	(1)	\$4.95
30-4340		GASKET	DIESEL 6.5L 92-98	(1)	\$4.95
30-1105	(3)	MNTG KIT-CLUTCH TO WP	4.3L 5.0L 5.7L 88-95	(1)	\$5.95
30-1105		MNTG KIT-CLUTCH TO WP	6.2L 6.5L 7.4L 88-98	(1)	\$5.95
33-2760	(4)	FAN-5 BLADE 19-1/2"	4.3L 5.0L 5.7L 88-97	(1)	\$39.95
29-2285	(5)	FAN CLUTCH W/O AC W/CCW	4.3L 88-95	(1)	\$39.95
29-2288		FAN CLUTCH W/AC W/CCW	4.3L 88-95	(1)	\$64.95
32-2141		FAN CLUTCH W/AC	4.3L 96-98	(1)	\$54.95
32-2130		FAN CLUTCH W/CW	5.0L 88	(1)	\$59.95
29-2285		FAN CLUTCH W/O AC W/CCW	5.0L 88-95	(1)	\$39.95
29-2288		FAN CLUTCH W/AC W/CCW	5.0L 88-95	(1)	\$64.95
32-2141		FAN CLUTCH W/AC	5.0L 96-98	(1)	\$54.95
32-2130		FAN CLUTCH W/CW	5.7L 88-91	(1)	\$59.95
29-2285		FAN CLUTCH W/O AC W/CCW	5.7L 88-95	(1)	\$39.95
29-2288		FAN CLUTCH W/AC W/CCW	5.7L 88-95	(1)	\$64.95
32-2141		FAN CLUTCH W/AC	5.7L 96-98	(1)	\$54.95
32-2129		FAN CLUTCH W/CW	7.4L 90-91	(1)	\$69.95
29-2288		FAN CLUTCH W/CCW	7.4L 90-98	(1)	\$64.95
43-2130-C		FAN CLUTCH W/CW DIESEL	6.2L 88-91	(1)	\$59.95

Ignition Components

1996-98 Chevy & GMC Truck

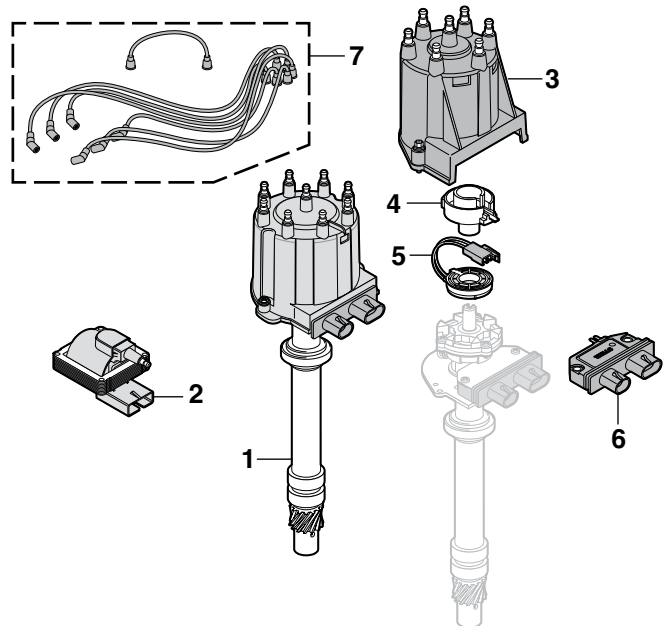


Distributor Assemblies are made from 100% new construction. No used or remanufactured parts. High-temperature tested with performance grade bearings. Cap and rotor are included and are ready to install!

PART	ILL#	DESCRIPTION	APPLICATION	REQD	PRICE
36-1789	(1)	NEW DISTRIBUTOR ASSY	5.0L 5.7L 96-98	(1)	\$84.95
36-1731	(2)	DISTRIBUTOR CAP	V6 1/2T 96-98	(1)	\$29.45
36-1732		DISTRIBUTOR CAP	V8 CHEVY GMC 96-98	(1)	\$35.45
36-1229	(3)	DISTRIBUTOR ROTOR	CHEVY GMC 96-98	(1)	\$9.95
33-3412	(4)	PICK-UP COIL	CHEVY GMC 96-98	(1)	\$25.95
36-1821	(5)	IGNITION COIL	CHEVY GMC 96-98	(1)	\$30.95
36-0058	(6)	IGNITION MODULE	CHEVY GMC 96-98	(1)	\$72.95
36-3054	(7)	IGNITION WIRE SET	5.0L 5.7L 96-98	(1)	\$49.95

Ignition Components

1988-95 Chevy & GMC Truck



PART	ILL#	DESCRIPTION	APPLICATION	REQD	PRICE
36-1788	(1)	NEW DISTRIBUTOR ASSY	V8 CHEVY GMC 88-95	(1)	\$84.95
36-1817	(2)	IGNITION COIL	CHEVY GMC 88-95	(1)	\$15.95
36-1729	(3)	DISTRIBUTOR CAP	V6 CHEVY GMC 88-95	(1)	\$11.95
36-1730		DISTRIBUTOR CAP	V8 CHEVY GMC 88-95	(1)	\$12.95
36-1228	(4)	DISTRIBUTOR ROTOR	V6 CHEVY GMC 88-95	(1)	\$5.95
36-1230		DISTRIBUTOR ROTOR	V8 CHEVY GMC 88-95	(1)	\$3.95
36-1066	(5)	PICK-UP COIL	V6 CHEVY GMC 88-95	(1)	\$12.45
36-0056	(6)	IGNITION MODULE	CHEVY GMC 88-95	(1)	\$35.95
29-8675	(7)	IGNITION WIRE SET	4.3L CHEVY GMC 92-95	(1)	\$24.95
36-3042		IGNITION WIRE SET 5.0L 5.7L	CHEVY GMC 88-93	(1)	\$30.45
36-3053		IGNITION WIRE SET 5.0L 5.7L	CHEVY GMC 94-95	(1)	\$30.45

NEW Wire Loom Sets

Wire Loom Sets keep ignition wires organized and help protect them from crossfire and excessive engine heat. Separators fit up to 9mm diameter ignition wires and are available in black or chromed plastic. This 6-piece set includes (2) 2-hole separators, (2) 3-hole separators and (2) 4-hole separators.

PART	DESCRIPTION	REQD	PRICE
38-1785	WIRE LOOM SET-CHROME	(1)	\$5.65
38-1786	WIRE LOOM SET-BLACK	(1)	\$5.95



Split Braid Flex Loom and Wire Loom Installation Tool

Unique black flexible braided construction features a 25% edge overlap that will allow for the sharpest of bends without distorting or splitting open. Lateral split design of the flex loom allows for easy installation of multiple wires. Self-wrapping feature ensures the flex loom will return to its original size and shape without the need to use fasteners or tape. Protect your vehicle's wiring, cables, hoses and tubing from unnecessary wear while adding a clean look. Available in three sizes: 1/4", 1/2" or 3/4" diameter.



36-2600

PART	DESCRIPTION	PRICE
36-2600	FLEX LOOM 20' L X 1/4" DIA	\$16.45
36-2601	FLEX LOOM 10' L X 1/2" DIA	\$15.95
36-2604	FLEX LOOM 8' L X 3/4" DIA	\$14.95

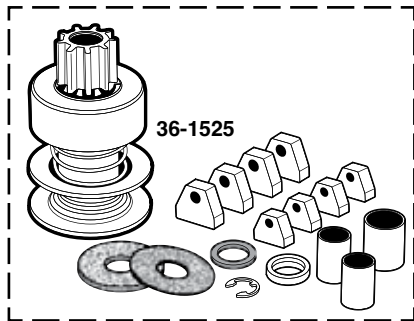
Wire Loom Installation Tool makes feeding wires into split wire looms a snap. Insert the wiring into the channel of the tool, rotate the handle to lock wiring in place and insert the loom separator into the split loom. Gently pull the tool through the loom while holding onto the wires. Available in three convenient sizes.



36-2597

PART	DESCRIPTION	PRICE
36-2597	LOOM TOOL 1/4"	\$4.95
36-2598	LOOM TOOL 1/2"	\$5.95
36-2599	LOOM TOOL 3/4"	\$5.95

Starter Repair Kit Saves You Time



Save Time - Order this kit and receive all the parts you need for a starter repair.

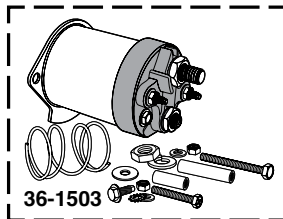
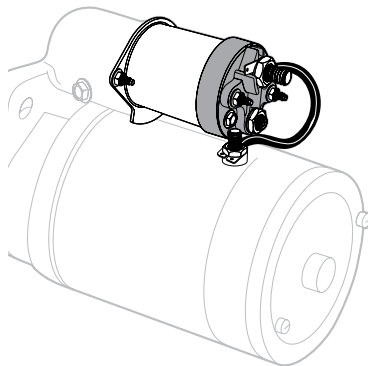
Save Money - And do it yourself. Call or go online and order yours today. Kit includes remanufactured starter drive, bushings, brushes, washers and snap ring.

PART	DESCRIPTION	APPLICATION	REQD	PRICE
29-4273	STARTER REPAIR KIT	4.3L	88-96 (1)	\$29.95
36-1533	STARTER REPAIR KIT	4.3L	97-98 (1)	\$30.95
36-1525	STARTER REPAIR KIT	5.0L	88-90 (1)	\$24.95
29-4273	STARTER REPAIR KIT	"A"	91-94 (1)	\$29.95
36-1525	STARTER REPAIR KIT	"B"	91-94 (1)	\$24.95
29-4273	STARTER REPAIR KIT	5.0L	95-96 (1)	\$29.95
36-1533	STARTER REPAIR KIT	5.0L	97-98 (1)	\$30.95
36-1525	STARTER REPAIR KIT	"C"	5.7L 88-94 (1)	\$24.95
36-1532	STARTER REPAIR KIT	"D"	5.7L 94-95 (1)	\$24.95
36-1533	STARTER REPAIR KIT	5.7L	96-98 (1)	\$30.95
36-1525	STARTER REPAIR KIT	"C"	7.4L 90-94 (1)	\$24.95
36-1532	STARTER REPAIR KIT	"D"	7.4L 94-98 (1)	\$24.95
36-1527	STARTER REPAIR KIT	DIESEL	88-89 (1)	\$39.95
36-1528	STARTER REPAIR KIT	DIESEL	90-98 (1)	\$19.95

Note: "A" Fits models with 100 amp alternator.
 "B" Fits models with 124 amp alternator.
 "C" Fits starters with 9 tooth drive gear.
 "D" Fits starters with 11 tooth drive gear.

Starter Solenoids

1988-98 Chevy & GMC Truck



PART	DESCRIPTION	APPLICATION	REQD	PRICE
V8 Engine				
36-1503	STARTER SOLENOID	4.3L	97-98 (1)	\$29.25
36-1503	STARTER SOLENOID	5.0L	88-91 (1)	\$29.25
36-1503	STARTER SOLENOID	"A"	92-95 (1)	\$29.25
36-1503	STARTER SOLENOID	5.0L	96-98 (1)	\$29.25
36-1503	STARTER SOLENOID	"B"	5.7L 88-98 (1)	\$29.25
36-1503	STARTER SOLENOID	"B"	7.4L 90-94 (1)	\$29.25
36-1501	STARTER SOLENOID	DIESEL	88-89 (1)	\$25.75

Note: "A" Fits models with 124 amp alternator.
 "B" Fits starters with 9 tooth drive gear.

Heated Windshield Washer Kit

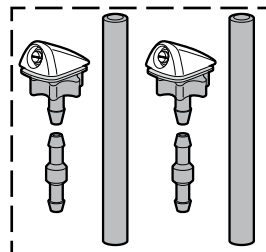


Heat your washer fluid to a temperature of 125-135°F for quick, effortless removal of frost, snow and ice this winter. Provides improved visibility for all driving conditions, while extending the service life of your windshield wipers by minimizing unnecessary wear. Ensures clog-free wiper spray nozzles for consistent spray pattern. Can also be used year-round to remove bird droppings, bugs, grime, road film and streaks.

Installs inline between windshield washer reservoir and spray nozzles. Connects directly to your battery with the included ground cable and fused power cable. Order yours today and see what a difference the Heated Windshield Washer Kit can make! Kit includes mounting bracket, hardware and instructions.

PART	DESCRIPTION	REQD	PRICE
36-4085	HEATED WINDSHIELD WASHER KIT	(1)	\$99.45

Universal Windshield Washer Nozzle Set



Washer nozzle set replaces existing hood-mounted nozzles or can be added for a more effective spray. Kit includes two nozzles, connecting hose and spray adjust key. Drilling and extra hose are required on trucks not originally equipped with hood-mounted washer nozzles. Call or go online and order yours today!

PART	DESCRIPTION	REQD	PRICE
36-4099	WINDSHIELD WASHER NOZZLE SET	(1)	\$8.95

Billet Wiper Post Cover Sets



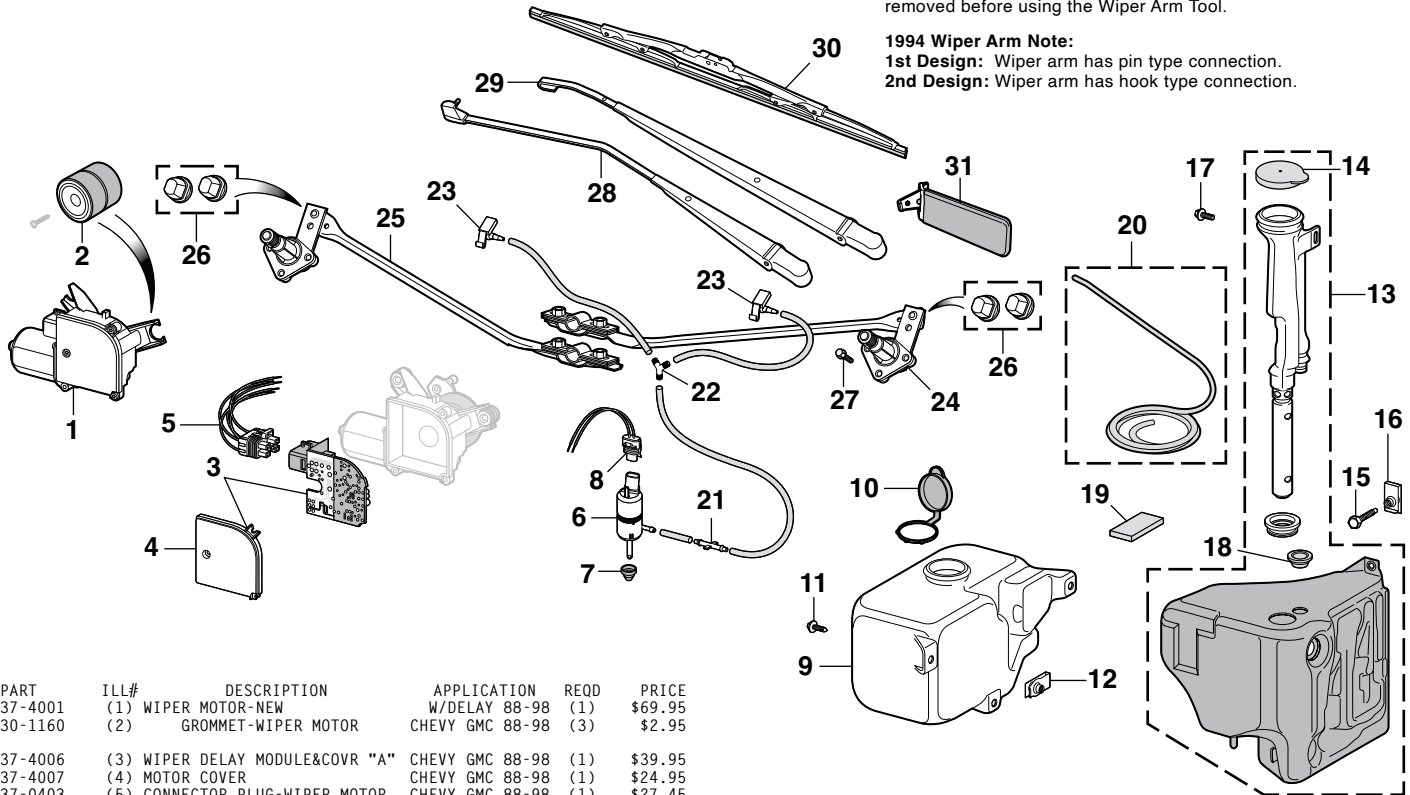
Billet aluminum parts are manufactured from the highest quality T-6 aircraft aluminum, resulting in strong and durable products that require little or no maintenance.

PART	DESCRIPTION	APPLICATION	REQD	PRICE
38-1587	WIPER POST COVER SET-FLAT TOP"A"	MACHINED	88-98 (1)	\$30.95
38-1589	WIPER POST COVER SET-BULLET "A"	POLISHED	88-98 (1)	\$39.95
38-1588	WIPER POST COVER SET-BULLET "A"	MACHINED	88-98 (1)	\$30.95

Note: "A" May require slight modification to wiper posts.

Windshield Wiper Components

1988-98 Chevy & GMC Truck



Wiper Arm Tool provides the leverage you need to safely remove and install wiper arms without damaging your vehicle.

Tech Tip: Make sure all locking pins or retaining nuts have been removed before using the Wiper Arm Tool.

1994 Wiper Arm Note:

- 1st Design: Wiper arm has pin type connection.
- 2nd Design: Wiper arm has hook type connection.

PART	ILL#	DESCRIPTION	APPLICATION	REQD	PRICE
37-4001	(1)	WIPER MOTOR-NEW	W/DELAY 88-98	(1)	\$69.95
30-1160	(2)	GROMMET-WIPER MOTOR	CHEVY GMC 88-98	(3)	\$2.95
37-4006	(3)	WIPER DELAY MODULE&COVR "A"	CHEVY GMC 88-98	(1)	\$39.95
37-4007	(4)	MOTOR COVER	CHEVY GMC 88-98	(1)	\$24.95
37-0403	(5)	CONNECTOR PLUG-WIPER MOTOR	CHEVY GMC 88-98	(1)	\$27.45
29-8042	(6)	WASHER PUMP	CHEVY GMC 88-98	(1)	\$12.45
30-1286	(7)	GROMMET	CHEVY GMC 88-98	(1)	\$1.95
37-0404	(8)	CONNECTOR PLUG-WASHER PUMP	CHEVY GMC 88-98	(1)	\$10.45
37-4020	(9)	WASHER JAR	CHEVY GMC 88-94	(1)	\$15.95
36-4096	(10)	CAP	CHEVY GMC 88-95	(1)	\$3.95
31-0306	(11)	BOLT	CHEVY GMC 88-95	(3)	\$.95
40-0914-C	(12)	U-NUT	CHEVY GMC 88-95	(3)	\$.95
37-4018	(13)	WASHER JAR ASSEMBLY	CHEVY GMC 96-98	(1)	\$42.95
36-4096	(14)	CAP	CHEVY GMC 96-98	(1)	\$3.95
31-0262	(15)	BOLT	CHEVY GMC 96-98	(1)	\$.95
40-0888-C	(16)	U-NUT	CHEVY GMC 96-98	(1)	\$.95
30-0981	(17)	BOLT	CHEVY GMC 96-98	(1)	\$1.25
31-1273	(18)	GROMMET-SMALL	CHEVY GMC 96-98	(1)	\$12.95
31-1274	(19)	INSULATOR	CHEVY GMC 96-98	(1)	\$.99

Note: "A" Replacement for 1991-98 original wiper delay module. Will work on 1988-90 models that have updated wiper motor.

PART	ILL#	DESCRIPTION	APPLICATION	REQD	PRICE
36-4071	(20)	WASHER HOSE-12 FT	CHEVY GMC 88-98	(1)	\$3.95
31-1406	(21)	CONNECTOR-STRAIGHT	CHEVY GMC 88-98	(1)	\$1.25
30-1362	(22)	CONNECTOR-"Y"	CHEVY GMC 88-98	(1)	\$1.75
31-1407	(23)	WASHER NOZZLE	CHEVY GMC 88-98	(2)	\$3.95
37-4036	(24)	WIPER LINK-LH	CHEVY GMC 88-98	(1)	\$49.95
37-4037	(25)	WIPER LINK-RH	CHEVY GMC 88-98	(1)	\$49.95
37-4038	(26)	WIPER LINKAGE BUSHING SET	CHEVY GMC 88-98	(1)	\$8.45
30-0331	(27)	BOLT	CHEVY GMC 88-98	(6)	\$1.45
37-4040	(28)	WIPER ARM	1ST DESIGN CHEVY GMC 88-94	(2)	\$15.95
37-4042	(29)	WIPER ARM	2ND DESIGN CHEVY GMC 94-98	(2)	\$25.95
47-3998-C	(30)	WIPER BLADE	1ST DESIGN CHEVY GMC 88-94	(2)	\$8.95
37-4045	(30)	WIPER BLADE	2ND DESIGN CHEVY GMC 94-98	(2)	\$8.95
38-1335	(31)	WIPER ARM TOOL		(1)	\$5.95

Universal Windshield Washer Kit

Universal Windshield Washer Kit includes everything needed to replace worn or broken windshield washer system and adapts to any 12V vehicle. Washer bottle holds 1.5L of fluid and fluid levels can easily be read without removing the cap.

The kit includes washer bottle with attached cap, washer pump, 6-1/2 feet of washer hose, push-button switch with wire harness, nozzles and T-connector. Mounting brackets with hardware are also included.



PART	DESCRIPTION	REQD	PRICE
36-4083	WINDSHIELD WASHER KIT	(1)	\$16.95

Universal Windshield Washer Pump



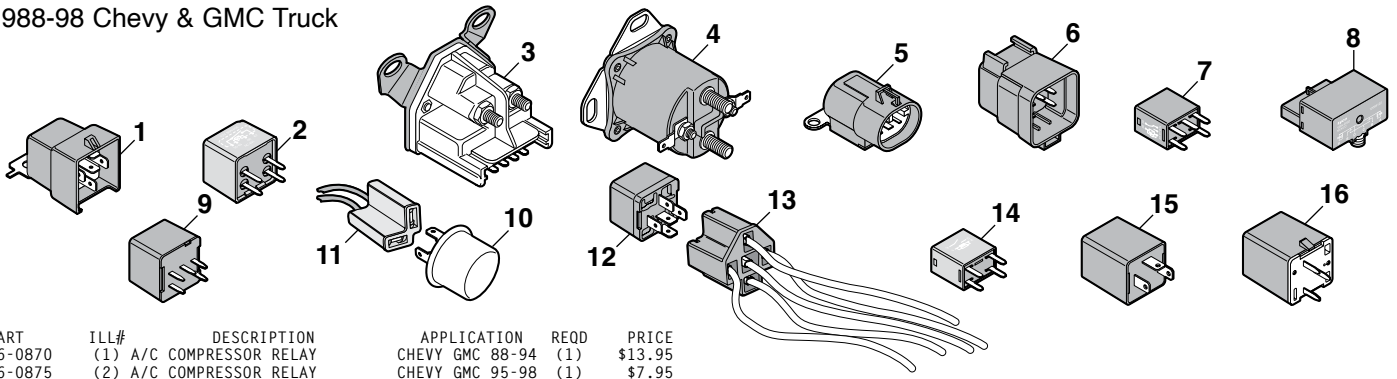
This pump adapts to any 12-volt vehicle and installs in minutes with simple household tools.

Features a gear-driven positive replacement pump to ensure a constant spray under all conditions. All necessary parts and instructions are included with pump.

PART	DESCRIPTION	PRICE
36-4081	UNIVERSAL WASHER PUMP	\$11.95

Relays and Flashers

1988-98 Chevy & GMC Truck



PART	ILL#	DESCRIPTION	APPLICATION	REQD	PRICE
36-0870	(1)	A/C COMPRESSOR RELAY	CHEVY GMC 88-94	(1)	\$13.95
36-0875	(2)	A/C COMPRESSOR RELAY	CHEVY GMC 95-98	(1)	\$7.95
36-0872	(3)	AUXILIARY BATTERY RELAY	CHEVY GMC 88-91	(1)	\$94.95
36-0873	(4)	AUXILIARY BATTERY RELAY	CHEVY GMC 92-96	(1)	\$62.95
36-0729	(5)	AUXILIARY FAN CONTROL RELAY	CHEVY GMC 88-95	(1)	\$12.95
36-0874	(6)	AUXILIARY FAN CONTROL RELAY	CHEVY GMC 96-98	(1)	\$13.45
36-0872	(3)	AUX POWER PROVISION RELAY	CHEVY GMC 88-91	(1)	\$94.95
36-0870	(1)	BLOWER MOTOR RELAY	CHEVY GMC 88-94	(2)	\$13.95
36-0874	(6)	BLOWER MOTOR RELAY	CHEVY GMC 95-98	(1)	\$13.45
36-0875	(2)	BRAKE CONTROL RELAY-ABS	CHEVY GMC 95	(1)	\$7.95
36-0875	(9)	BRAKE INDICATOR LAMP RELAY	CHEVY GMC 95-98	(1)	\$7.95
36-0870	(1)	DAYTIME RUNNING LAMPS RELAY	CHEVY GMC 90-94	(1)	\$13.95
36-0876	(7)	DAYTIME RUNNING LAMPS RELAY	CHEVY GMC 95-98	(1)	\$9.95
29-8190	(8)	DOOR LOCK RELAY	CHEVY GMC 92-98	(1)	\$19.95
36-0870	(1)	FOG LIGHT RELAY	CHEVY GMC 89-94	(1)	\$13.95
36-0876	(7)	FOG LIGHT RELAY	CHEVY GMC 95-97	(1)	\$9.95
36-0729	(5)	FUEL PUMP RELAY	CHEVY GMC 88-94	(1)	\$12.95
36-0877	(9)	FUEL PUMP RELAY	CHEVY GMC 95-98	(1)	\$6.95

PART	ILL#	DESCRIPTION	APPLICATION	REQD	PRICE
36-0872	(3)	GLOW PLUG RELAY	DIESEL CHEVY GMC 88-93	(1)	\$94.95
36-0878		GLOW PLUG RELAY	DIESEL CHEVY GMC 94-98	(1)	\$59.95
36-0650	(10)	EMERGENCY FLASHER	CHEVY GMC 88-94	(1)	\$2.95
36-0889	(11)	SOCKET-FLASHER	CHEVY GMC 88-94	(1)	\$1.95
36-0881	(16)	EMERGENCY FLASHER	CHEVY GMC 96-98	(1)	\$11.95
36-0870	(1)	HEADLIGHT RELAY	CHEVY GMC 88-91	(1)	\$13.95
47-0743-C	(12)	HORN RELAY-BLACK	CHEVY GMC 88-95	(1)	\$8.95
47-0767-C	(13)	SOCKET-HORN RELAY	CHEVY GMC 88-95	(1)	\$10.45
36-0884	(14)	HORN RELAY-GRAY	CHEVY GMC 95-98	(1)	\$7.95
29-8190	(8)	POWER WINDOW RELAY	CHEVY GMC 90-94	(1)	\$19.95
36-0886	(15)	SIGNAL FLASHER	CHEVY GMC 88-95	(1)	\$11.45
36-0881		SIGNAL FLASHER	CHEVY GMC 96-98	(1)	\$11.95
36-0875	(2)	STARTER RELAY	CHEVY GMC 96-98	(1)	\$7.95
36-0874	(6)	STOP LIGHT RELAY W/O BRCKT	CHEVY GMC 94	(1)	\$13.45
36-0729	(5)	TRANSFER CASE RELAY	4WD 92-95	(1)	\$12.95

High Amp Alternators

1988-95 Chevy & GMC Truck



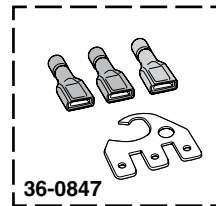
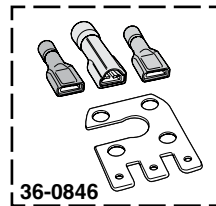
More amperage is needed to run today's modern accessories. High amp alternators are direct replacements for original alternator and will give your truck the charging power it needs.

Features include high output with excellent idle performance; hand-wound, custom-designed stators; gold-plated battery post for better electrical connections; and "Proof of Performance" tag.

PART	DESCRIPTION	APPLICATION	REQD	PRICE
36-2730	ALTERNATOR "A"	140AMP CHEVY GMC 88-95	(1)	\$199.95

Note: "A" Does not fit 1990-93 models with 7.4L engine.

Battery Tap Accessory Circuit Kit



Battery Tap is an easy and reliable way to make direct connections at the battery with up to three new additional circuits. Designed to fit positive and/or negative battery terminals. Kit contains one tap and three crimp connectors. The Battery Tap can be stacked to provide additional connection points or can be attached to vehicle frame for additional grounding points.

PART	DESCRIPTION	PRICE
36-0846	BATTERY TAP KIT-SIDE MOUNT	\$5.95
36-0847	BATTERY TAP KIT-TOP POST	\$6.95

Wire Terminal Extractor Tools



This Wire Terminal Tool Kit is designed to release and extract wires from terminals without damage. The single blades have a bevel ground onto the end for working on small terminals found on newer vehicles. Red is specially designed for Pak-Con and WeatherPak terminals. Silver has prongs to depress the 'barbs' on conventional terminals. The handle slips over the probes to protect your hand as well as provide extra leverage. This complete kit comes in a sturdy blow-molded case for protection and long life and is a must-have for any do-it-yourselfer's toolbox.

PART	DESCRIPTION	PRICE
38-1297	WIRE TERMINAL TOOL KIT	\$54.95

WeatherPak Wire Extractor Tools



These WeatherPak Wire Extractor Tools will save you time and hassle when servicing your vehicle's wiring system. Tools are engineered to easily release and remove OEM terminals from their WeatherPak housings, as well as releasing the lock tab on Packard 56 and Pak-Con terminals. This 3-piece set comes with a narrow pick (.05" wide), wide pick (.09") and tubular-shaped extraction tool. Handles are color-coded for easy identification.

PART	DESCRIPTION	REQD	PRICE
38-1296	WEATHERPAK WIRE EXTRACTOR TOOLS	(1)	\$9.95

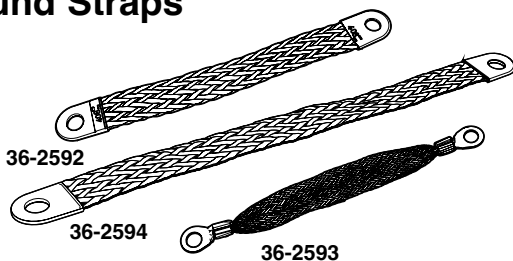
Battery Disconnect Switches



Battery Disconnect Switches are easy to install and stop battery drain and reduce the risk of fire while your vehicle is parked. With key or knob style disconnects, the key or knob can be totally removed as an additional deterrent against vehicle theft. A 15-amp Bypass Fuse is available to maintain memory on your radio, clock, etc., while your battery is disconnected.

PART	DESCRIPTION	APPLICATION	REQD	PRICE
36-0809	BATTERY DISCONNECT-KNOB STYLE	TOP POST	(1)	\$6.95
36-0813	BATTERY DISCONNECT-KNIFE STYLE	TOP POST	(1)	\$30.95
36-0814	BATTERY DISCONNECT-KNOB STYLE	SIDE POST	(1)	\$8.95
36-0811	BATTERY DISCONNECT-KNIFE STYLE	SIDE POST	(1)	\$30.95
36-0709	BATTERY DISCONNECT-KEY STYLE	IN LINE	(1)	\$10.95
36-0909	BYPASS FUSE-15 AMP	IN LINE	(1)	\$6.45

Ground Straps



Many electrical problems can be traced to poor engine and body ground. Protect yourself from these problems by installing a ground strap between the engine and frame of your truck, this will ensure you have a proper ground for your coil, spark plugs and computer control module. For complete protection, add a ground strap from the frame to the body. Straps are made of tin coated stranded copper braid for durability and are simple to install.

PART	DESCRIPTION	REQD	PRICE
36-2592	GROUND STRAP-8" ENGINE TO FRAME	(1)	\$5.95
36-2594	GROUND STRAP-12" ENGINE TO FRAME	(1)	\$6.95
36-2593	GROUND STRAP-8" BODY TO FRAME	(1)	\$5.45

Battery Post and Terminal Cleaner

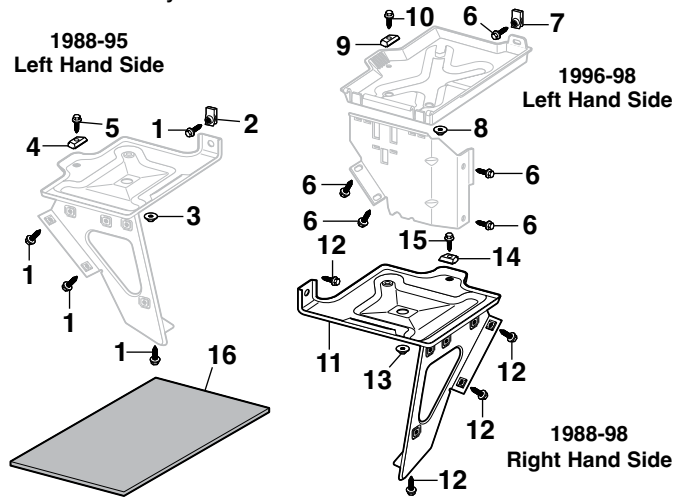


Dual function tool – top brush cleans battery terminals and bottom brush cleans battery posts.

PART	DESCRIPTION	PRICE
38-1366	POST & TERMINAL CLEANER	\$4.95

Battery Trays

1988-98 Chevy & GMC Truck

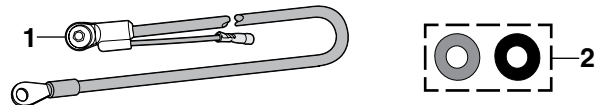


Battery Mat is made from polypropylene needle punch felt which traps and neutralizes battery acid. The Battery Mat is safe to handle and takes only minutes to install.

PART	ILL#	DESCRIPTION	APPLICATION	REQD	PRICE
31-0262	(1)	BOLT	CHEVY GMC 88-95	(4)	\$.95
40-0888-C	(2)	U-NUT	CHEVY GMC 88-95	(1)	\$.95
31-0892	(3)	NUT	CHEVY GMC 88-95	(1)	\$1.35
38-6360	(4)	RETAINER-HOLD DOWN	CHEVY GMC 88-95	(1)	\$2.95
30-0321	(5)	BOLT	CHEVY GMC 88-95	(1)	\$1.45
31-0262	(6)	BOLT	CHEVY GMC 96-98	(5)	\$.95
40-0888-C	(7)	U-NUT	CHEVY GMC 96-98	(1)	\$.95
31-0892	(8)	NUT	CHEVY GMC 96-98	(1)	\$1.35
38-6360	(9)	RETAINER-HOLD DOWN	CHEVY GMC 96-98	(1)	\$2.95
30-0321	(10)	BOLT	CHEVY GMC 96-98	(1)	\$1.45
39-6303	(11)	BATTERY TRAY-RH	CHEVY GMC 88-98	(1)	\$17.95
31-0262	(12)	BOLT	CHEVY GMC 88-98	(4)	\$.95
31-0892	(13)	NUT	CHEVY GMC 88-98	(1)	\$1.35
38-6360	(14)	RETAINER-HOLD DOWN	CHEVY GMC 88-98	(1)	\$2.95
30-0321	(15)	BOLT	CHEVY GMC 88-98	(1)	\$1.45
38-1039	(16)	BATTERY MAT-BLACK 8" X 12"		(AR)	\$7.95

Battery Cables

1988-98 Chevy & GMC Truck



All battery cables are made of a quality copper core that extends to the end of the plated lug to give a one-piece connection.

Part numbers ending in -RD are red cables. Part numbers ending in -BL are black cables.

PART	ILL#	DESCRIPTION	APPLICATION	REQD	PRICE
36-2560-RD	(1)	POSITIVE CABLE - 45"	CHEVY GMC 88-98	(1)	\$13.95
36-2567-RD		POSITIVE CABLE - 65"	CHEVY GMC 88-98	(1)	\$14.95
36-2562-BL	(1)	NEGATIVE CABLE - 35"	CHEVY GMC 88-98	(1)	\$10.95
36-2563-BL		NEGATIVE CABLE - 40"	CHEVY GMC 88-98	(1)	\$9.95
47-1157-C	(2)	TERMINAL PROTECTOR SET	CHEVY GMC 88-98	(1)	\$1.95

Side Terminal Battery Bolt and Conversion Set

#36-0845 converts a side terminal battery to accept top terminal cables and accessories. Also provides an easy connection for battery charging equipment.



PART	DESCRIPTION	PRICE
36-0848	SIDE TERMINAL BOLT	\$.95
36-0845	TERMINAL CONVERSION SET	\$3.95

Rear Body Lighting Harness

1988-95 Chevy Truck - Fleetside Models



Is your rear body lighting harness cracking or just been cobbled beyond repair? Replace it with this new rear body lighting harness.

PART	DESCRIPTION	APPLICATION	REQD	PRICE
37-0430	REAR BODY LIGHTING HARNESS "A"	CHEVY 88-95	(1)	\$184.95

Note: "A" Fits Fleetside beds only. License lamp harness sold separately part number 37-4331.

Backup Switches

1988-98 Chevy & GMC Truck

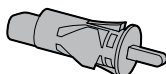


MT = Manual Transmission
AT = Automatic Transmission

PART	ILL#	DESCRIPTION	APPLICATION	REQD	PRICE
29-8152	(1)	BACKUP LIGHT MT 2-1/4"	CHEVY GMC 88-98	(1)	\$12.95
36-0663		BACKUP LIGHT MT 1-11/16"	CHEVY GMC 88-98	(1)	\$13.95
36-0639	(2)	BACKUP & NEUTRAL AT	CHEVY GMC 88-94	(1)	\$12.65
37-0846		BACKUP & NEUTRAL AT	CHEVY GMC 95-98	(1)	\$36.95

Courtesy Light Switch

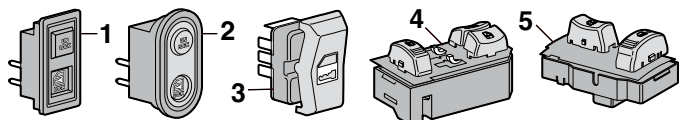
1988-98 Chevy & GMC Truck



PART	DESCRIPTION	APPLICATION	REQD	PRICE
37-0800	COURTESY LIGHT SWITCH	CHEVY GMC 88-98	(2)	\$5.95

Door Lock Switches

1988-98 Chevy & GMC Truck



PART	ILL#	DESCRIPTION	APPLICATION	REQD	PRICE
37-0705	(1)	DOOR LOCK SWITCH	CHEVY GMC 88-89	(2)	\$14.95
37-0706		DOOR LOCK SWITCH "A"	CHEVY GMC 90-94	(2)	\$25.95
37-0707	(2)	DOOR LOCK SWITCH "B"	CHEVY GMC 90-94	(2)	\$9.95
37-0708	(3)	DOOR LOCK SWITCH-LH "C"	CHEVY GMC 95-98	(1)	\$24.95
37-0712	(4)	DOOR LOCK & WINDW SWITCH-LH	CHEVY GMC 95-98	(1)	\$49.95
37-0713	(5)	DOOR LOCK & WINDW SWITCH-RH	CHEVY GMC 95-98	(1)	\$26.25

Note: "A" Models without Silverado or SLE trim level.
"B" Models with Silverado or SLE trim level.
"C" Models without power windows.

Dashboard Dimmer Switch

1988-94 Chevy & GMC Truck

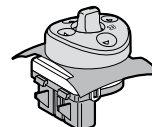


37-0816

PART	DESCRIPTION	APPLICATION	REQD	PRICE
37-0816	DASH DIMMER SWITCH	CHEVY GMC 88-89	(1)	\$44.45
37-0817	DASH DIMMER SWITCH	CHEVY GMC 90-94	(1)	\$22.95

Power Door Mirror Switch

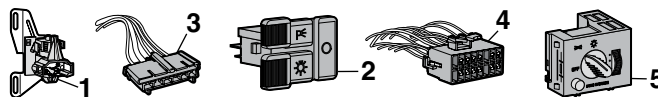
1995-98 Chevy & GMC Truck



PART	DESCRIPTION	APPLICATION	REQD	PRICE
37-0714	POWER MIRROR SWITCH	CHEVY GMC 95-98	(1)	\$29.45

Headlight Switches

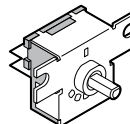
1988-98 Chevy & GMC Truck



PART	ILL#	DESCRIPTION	APPLICATION	REQD	PRICE
37-0829	(1)	HEADLIGHT DIMMER SWITCH	CHEVY GMC 88-94	(1)	\$9.45
37-0812	(2)	HEADLIGHT SWITCH	CHEVY GMC 88-89	(1)	\$17.95
37-0813		HEADLIGHT SWITCH	CHEVY GMC 90-94	(1)	\$13.95
37-0425	(3)	CONNECTOR-HEADLIGHT SWITCH	CHEVY GMC 88-94	(1)	\$16.95
37-0426	(4)	CONNECTOR-HEADLIGHT SWITCH	CHEVY GMC 95-98	(1)	\$27.95
37-0815	(5)	HEADLIGHT/DIMMER SWITCH	CHEVY GMC 95-98	(1)	\$29.95

Heater/Blower Fan Switch

1988-98 Chevy & GMC Truck



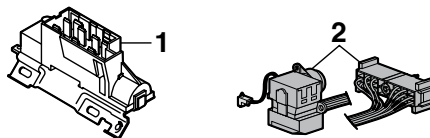
36-0596

W/O AC = Without Air Conditioning

PART	DESCRIPTION	APPLICATION	REQD	PRICE
36-0596	HEATER/BLOWER FAN SWITCH W/O AC	CHEVY GMC 88-94	(1)	\$16.45
37-0852	HEATER/BLOWER FAN SWITCH	CHEVY GMC 95-98	(1)	\$9.95

Ignition Switches

1988-98 Chevy & GMC Truck

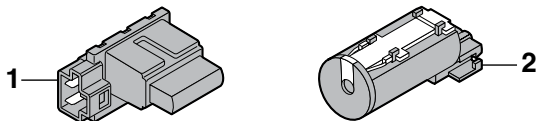


W/O TILT = Without Tilt Steering Wheel
W/TILT = With Tilt Steering Wheel

PART	ILL#	DESCRIPTION	APPLICATION	REQD	PRICE
36-0645	(1)	IGNITION SWITCH W/O TILT	CHEVY GMC 88-94	(1)	\$11.95
36-0647		IGNITION SWITCH W/TILT	CHEVY GMC 88-94	(1)	\$11.95
37-0856	(2)	IGNITION SWITCH	CHEVY GMC 95-96	(1)	\$39.95
37-0857		IGNITION SWITCH	CHEVY GMC 97	(1)	\$49.95
37-0858		IGNITION SWITCH	CHEVY GMC 98	(1)	\$49.95

Neutral Safety Switches

1988-98 Chevy & GMC Truck

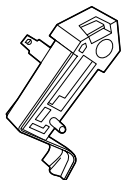


MT = Manual Transmission

PART	ILL#	DESCRIPTION	APPLICATION	REQD	PRICE
29-8171	(1)	NEUTRAL SAFETY SWITCH MT	CHEVY GMC 88-96	(1)	\$7.95
37-0645	(2)	NEUTRAL SAFETY SWITCH MT	CHEVY GMC 96-98	(1)	\$33.35

Parking Brake Switch

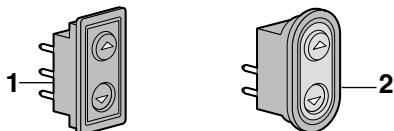
1995-98 Chevy & GMC Truck



PART	DESCRIPTION	APPLICATION	REQD	PRICE
37-0653	PARKING BRAKE SWITCH	CHEVY GMC 95-98	(1)	\$7.45

Power Window Switch

1988-94 Chevy & GMC Truck

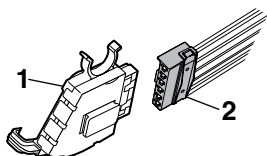


PART	ILL#	DESCRIPTION	APPLICATION	REQD	PRICE
37-0702	(1)	POWER WINDOW SWITCH	CHEVY GMC 88-89	(3)	\$14.95
37-0703		POWER WINDOW SWITCH	"A" CHEVY GMC 90-94	(3)	\$12.95
37-0704	(2)	POWER WINDOW SWITCH	"B" CHEVY GMC 90-94	(3)	\$12.95

Note: "A" Models without Silverado or SLE trim level.
"B" Models with Silverado or SLE trim level.

Stop Lamp Switch

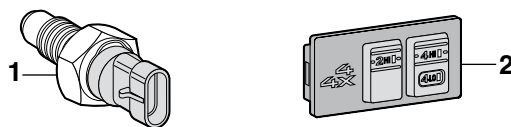
1988-98 Chevy & GMC Truck



PART	ILL#	DESCRIPTION	APPLICATION	REQD	PRICE
37-0648	(1)	STOP LAMP SWITCH	CHEVY GMC 88-93	(1)	\$12.75
37-0649		STOP LAMP SWITCH	CHEVY GMC 94-98	(1)	\$7.95
37-0427	(2)	CONNECTOR-STOP LAMP SWITCH	CHEVY GMC 94-98	(1)	\$19.45

Transfer Case Switches

1988-98 Chevy & GMC Truck

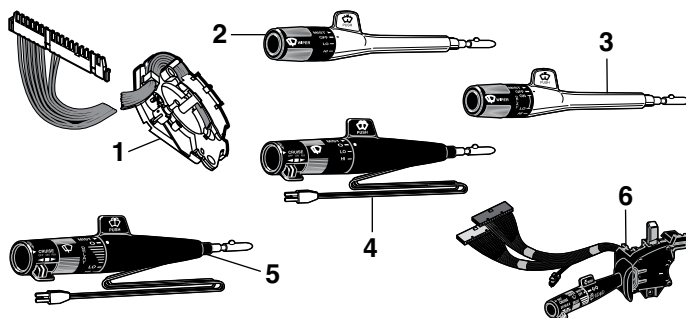


PART	ILL#	DESCRIPTION	APPLICATION	REQD	PRICE
37-0865	(1)	TRANSFER CASE INDICATOR SWITCH	4WD "A" 88-98	(1)	\$29.95
37-0866	(2)	TRANSFER CASE SHIFT SWITCH	4WD "B" 96-98	(1)	\$41.95
37-0875		TRANSFER CASE SHIFT SWITCH	4WD "C" 98	(1)	\$41.95

Note: "A" Models without push button shift 4WD.
"B" Models without automatic 4WD.
"C" Models with automatic 4WD.

Turn Signal Switches

1988-98 Chevy & GMC Truck



PART	ILL#	DESCRIPTION	APPLICATION	REQD	PRICE
36-0616	(1)	TURN SIGNAL SWITCH	CHEVY GMC 88-92	(1)	\$20.95
29-8181		TURN SIGNAL SWITCH	CHEVY GMC 93-94	(1)	\$31.95
34-0795	(2)	TURN SIGNAL LEVER	"A"B" CHEVY GMC 88-89	(1)	\$21.95
34-0797	(3)	TURN SIGNAL LEVER	"A"C" CHEVY GMC 88-94	(1)	\$12.95
34-0784	(4)	TURN SIGNAL LEVER	"B"D" CHEVY GMC 88-89	(1)	\$22.95
34-0785	(5)	TURN SIGNAL LEVER	"C"D" CHEVY GMC 88-94	(1)	\$19.95
34-0802	(6)	TURN SIGNAL LEVER	"E" CHEVY GMC 95-98	(1)	\$66.95
34-0803		TURN SIGNAL LEVER	"F" CHEVY GMC 95-98	(1)	\$84.95

Note: "A" Models without cruise control.
"B" Models without intermittent wipers.
"C" Models with intermittent wipers.
"D" Models with cruise control.
"E" Fits models without tilt or cruise control.
"F" Fits models with tilt and cruise control.

Windshield Washer Switches

1988-94 Chevy & GMC Truck



W/O Tilt = Without Tilt Steering Wheel
W/Tilt = With Tilt Steering Wheel

PART	DESCRIPTION	APPLICATION	REQD	PRICE
37-0870	WASHER SWITCH W/O TILT	"A" CHEVY GMC 88-89	(1)	\$87.95
37-0871	WASHER SWITCH W/O TILT	"B" CHEVY GMC 88-94	(1)	\$71.55
37-0873	WASHER SWITCH W/TILT	"B" CHEVY GMC 88-90	(1)	\$87.95
37-0873	WASHER SWITCH W/TILT	CHEVY GMC 91-92	(1)	\$87.95
37-0874	WASHER SWITCH W/TILT	CHEVY GMC 93-94	(1)	\$56.25

Note: "A" Models without intermittent wipers.
"B" Models with intermittent wipers.

Front Reflector

Models with Single Headlights
1988-98 Chevy & GMC Truck

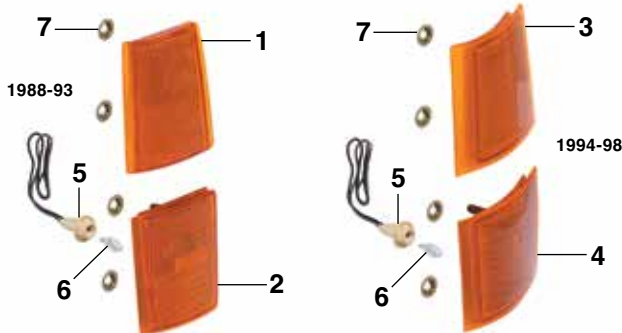
Dielectric Grease
See Page 152



PART	ILL#	DESCRIPTION	APPLICATION	REQD	PRICE
37-4122	(1)	REFLECTOR-LH-AMBER	CHEVY GMC 88-98	(1)	\$6.95
37-4123		REFLECTOR-RH-AMBER	CHEVY GMC 88-98	(1)	\$6.95
31-0871	(2)	NUT	CHEVY GMC 88-98	(4)	\$.49

Front Sidemarker and Reflector for Chevrolet

Models with Dual or Composite Headlights

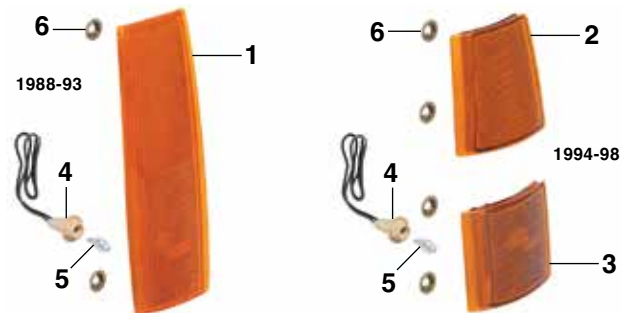


PART	ILL#	DESCRIPTION	APPLICATION	REQD	PRICE
37-4124	(1)	REFLECTOR-UPPER-LH-AMBER	CHEVY 88-93	(1)	\$5.95
37-4125		REFLECTOR-UPPER-RH-AMBER	CHEVY 88-93	(1)	\$3.95
37-4128	(2)	SIDEMARKER-LOWER-LH-AMBER	CHEVY 88-93	(1)	\$5.45
37-4129		SIDEMARKER-LOWER-RH-AMBER	CHEVY 88-93	(1)	\$5.45
37-4126	(3)	REFLECTOR-UPPER-LH-AMBER	CHEVY 94-98	(1)	\$5.95
37-4127		REFLECTOR-UPPER-RH-AMBER	CHEVY 94-98	(1)	\$5.95
37-4130	(4)	SIDEMARKER-LOWER-LH-AMBER	CHEVY 94-98	(1)	\$3.95
37-4131		SIDEMARKER-LOWER-RH-AMBER	CHEVY 94-98	(1)	\$3.95
36-0410	(5)	BULB SOCKET	CHEVY 88-98	(2)	\$2.95
36-0224	(6)	BULB-CLEAR	CHEVY 88-98	(2)	\$.65
31-0871	(7)	NUT	CHEVY 88-98	(8)	\$.49

Front Sidemarker and Reflector for GMC

Models with Dual or Composite Headlights

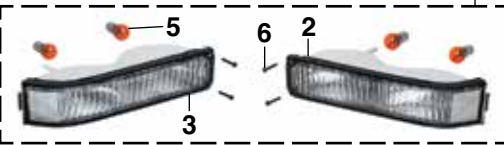
Custom Bulbs See
Page 146



PART	ILL#	DESCRIPTION	APPLICATION	REQD	PRICE
37-4132	(1)	SIDEMARKER-LH-AMBER	GMC 88-93	(1)	\$12.95
37-4133		SIDEMARKER-RH-AMBER	GMC 88-93	(1)	\$12.95
37-4134	(2)	REFLECTOR-UPPER-LH-AMBER	GMC 94-98	(1)	\$4.45
37-4135		REFLECTOR-UPPER-RH-AMBER	GMC 94-98	(1)	\$4.45
37-4136	(3)	SIDEMARKER-LOWER-LH-AMBER	GMC 94-98	(1)	\$5.95
37-4137		SIDEMARKER-LOWER-RH-AMBER	GMC 94-98	(1)	\$5.95
36-0410	(4)	BULB SOCKET	GMC 88-98	(2)	\$2.95
36-0224	(5)	BULB-CLEAR	GMC 88-98	(2)	\$.65
31-0871	(6)	NUT	GMC 88-93	(4)	\$.49
31-0871		NUT	GMC 94-98	(8)	\$.49

Parklight

1988-98 Chevy & GMC Truck
Models with Single Headlights



Custom Bulbs
See Page 146

PART	ILL#	DESCRIPTION	APPLICATION	REQD	PRICE
36-4520	(1)	CLEAR PARKLIGHT KIT	CHEVY GMC 88-98	(1)	\$22.95
37-4172	(2)	PARKLIGHT-LH-CLEAR	CHEVY GMC 88-98	(1)	\$8.95
37-4173	(3)	PARKLIGHT-RH-CLEAR	CHEVY GMC 88-98	(1)	\$8.95
29-8234	(4)	BULB SOCKET	CHEVY GMC 88-98	(4)	\$5.95
37-0202	(5)	BULB-AMBER	CHEVY GMC 88-98	(4)	\$1.35
31-0505	(6)	SCREW-BLACK	CHEVY GMC 88-98	(4)	\$.65
30-0815	(7)	ANCHOR NUT	CHEVY GMC 88-98	(4)	\$1.25

Parklight

1988-89 Chevy & GMC Truck
Models with Dual Headlights



PART	ILL#	DESCRIPTION	APPLICATION	REQD	PRICE
36-4521	(1)	CLEAR PARKLIGHT KIT	BLACK RIM 88-89	(1)	\$32.95
37-7493		CLEAR PARKLIGHT KIT	CHROME RIM 88-89	(1)	\$49.95
37-4174	(2)	PARKLIGHT-LH-CLEAR	CHEVY GMC 88-89	(1)	\$12.95
37-4175	(3)	PARKLIGHT-RH-CLEAR	CHEVY GMC 88-89	(1)	\$12.95
29-8234	(4)	BULB SOCKET	CHEVY GMC 88-89	(4)	\$5.95
37-0202	(5)	BULB-AMBER	CHEVY GMC 88-89	(4)	\$1.35
29-0310	(6)	SCREW-BLACK	CHEVY GMC 88-89	(8)	\$.65
30-0815	(7)	ANCHOR NUT	CHEVY GMC 88-89	(8)	\$1.25

Parklight

1990-93 Chevy & GMC Truck
Models with Composite Headlights

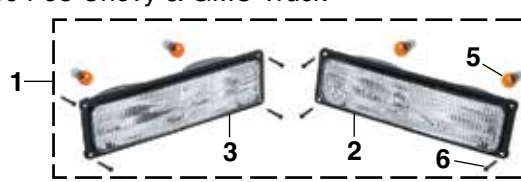


PART	ILL#	DESCRIPTION	APPLICATION	REQD	PRICE
36-4522	(1)	CLEAR PARKLIGHT KIT	BRITE RIM 90-93	(1)	\$26.95
37-7493		CLEAR PARKLIGHT KIT	CHROME RIM 90-93	(1)	\$49.95
37-4176	(2)	PARKLIGHT-LH-CLEAR	CHEVY GMC 90-93	(1)	\$9.95
37-4177	(3)	PARKLIGHT-RH-CLEAR	CHEVY GMC 90-93	(1)	\$9.95
29-8234	(4)	BULB SOCKET	CHEVY GMC 90-93	(4)	\$5.95
37-0202	(5)	BULB-AMBER	CHEVY GMC 90-93	(4)	\$1.35
31-0506	(6)	SCREW-BRITE	CHEVY GMC 90-93	(8)	\$.65
31-1352	(7)	RETAINER	CHEVY GMC 90-93	(4)	\$1.95

Parklight

Models with Composite Headlights
1994-98 Chevy & GMC Truck

Custom Bulbs See
Page 146



PART	ILL#	DESCRIPTION	APPLICATION	REQD	PRICE
36-4523	(1)	CLEAR PARKLIGHT KIT	BLACK RIM 94-98	(1)	\$32.95
37-4178	(2)	PARKLIGHT-LH-CLEAR	CHEVY GMC 94-98	(1)	\$11.95
37-4179	(3)	PARKLIGHT-RH-CLEAR	CHEVY GMC 94-98	(1)	\$11.95
36-0417	(4)	BULB SOCKET	CHEVY GMC 94-98	(4)	\$5.95
37-0202	(5)	BULB-AMBER	CHEVY GMC 94-98	(4)	\$1.35
31-0540	(6)	SCREW-BLACK	CHEVY GMC 94-98	(8)	\$1.25
30-0815	(7)	ANCHOR NUT	CHEVY GMC 94-98	(8)	\$1.25

High-Performance Halogen Headlight

High-Performance Halogen Headlights produce whiter and brighter light closer to natural daylight compared to standard halogen headlights' yellowish color. Upgraded bulbs not required. DOT and SAE approved.



For Models with Single Headlights



36-0305

PART	DESCRIPTION	APPLICATION	REQD	PRICE
36-0305	HI-PERFORMANCE HEADLIGHT 200MM	CHEVY GMC 88-98	(2)	\$24.95

Headlight - Single 1988-98 Chevy & GMC Truck

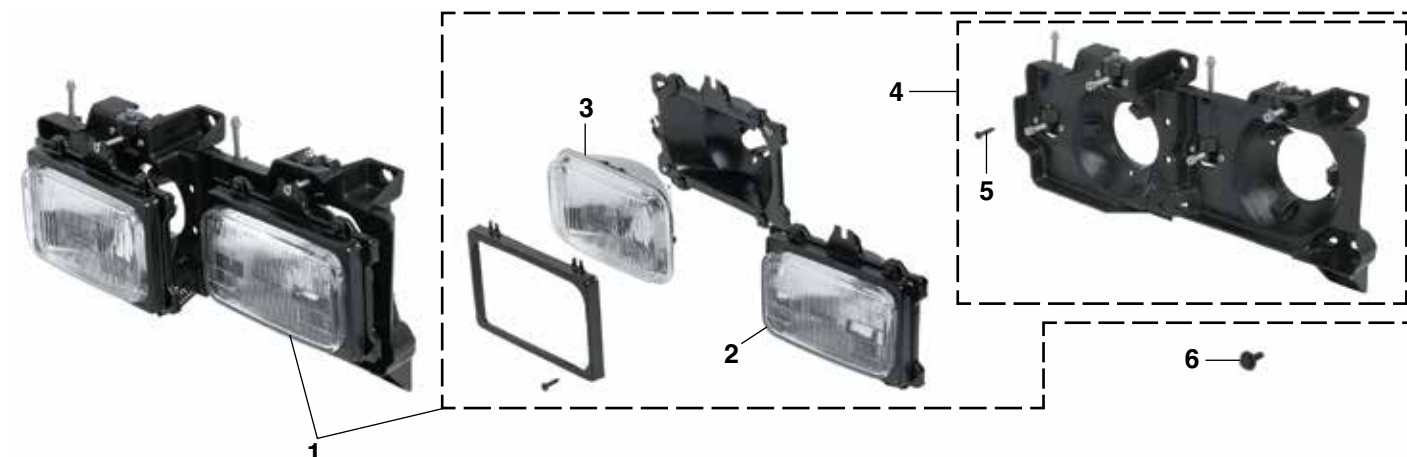
Custom Headlight Sets See Page 144
LED Headlight Sets See Page 144

PART	ILL#	DESCRIPTION	APPLICATION	REQD	PRICE
37-4496	(1)	HEADLIGHT ASSY	HALOGEN CHEVY GMC 88-98	(2)	\$45.95
36-0285	(2)	HEADLIGHT	HALOGEN CHEVY GMC 88-98	(2)	\$12.95
36-4730	(3)	HEADLIGHT MOUNT	CHEVY GMC 88-98	(2)	\$18.95
36-4835	(4)	HEADLIGHT RETAINER	CHEVY GMC 88-98	(2)	\$9.95
30-0574	(5)	SCREW	CHEVY GMC 88-98	(8)	\$.85
29-0825	(6)	SPRING	CHEVY GMC 88-98	(2)	\$2.45
30-0730	(7)	HEADLIGHT ADJUSTER	CHEVY GMC 88-98	(4)	\$1.95



Headlight - Dual 1988-89 Chevy & GMC Truck

Custom Headlight Sets See Page 143

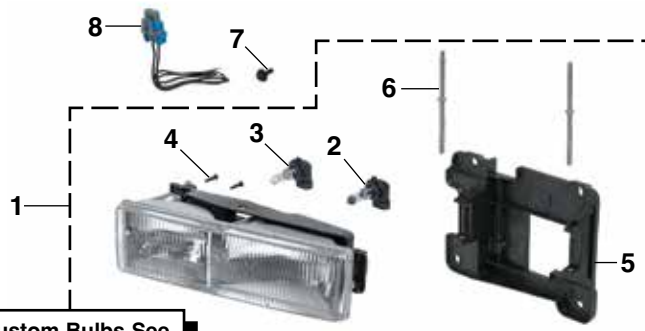


PART	ILL#	DESCRIPTION	APPLICATION	REQD	PRICE	PART	ILL#	DESCRIPTION	APPLICATION	REQD	PRICE
37-4408	(1)	HEADLIGHT ASSY-LH	CHEVY GMC 88-89	(1)	\$254.95	36-0263	(3)	HEADLIGHT-OUTER	CHEVY GMC 88-89	(2)	\$16.95
37-4409		HEADLIGHT ASSY-RH	CHEVY GMC 88-89	(1)	\$254.95	36-0262		HEADLIGHT-INNER	CHEVY GMC 88-89	(2)	\$15.95
37-4400	(2)	HEADLIGHT ASSY-OUTER-LH	CHEVY GMC 88-89	(1)	\$64.95	37-4704	(4)	HEADLIGHT MOUNT BRACKET-LH	CHEVY GMC 88-89	(1)	\$99.95
37-4401		HEADLIGHT ASSY-OUTER-RH	CHEVY GMC 88-89	(1)	\$69.95	37-4705		HEADLIGHT MOUNT BRACKET-RH	CHEVY GMC 88-89	(1)	\$99.95
37-4402		HEADLIGHT ASSY-INNER-LH	CHEVY GMC 88-89	(1)	\$64.95	29-0310	(5)	SCREW	CHEVY GMC 88-89	(16)	\$.65
37-4403		HEADLIGHT ASSY-INNER-RH	CHEVY GMC 88-89	(1)	\$69.95	31-0203	(6)	BOLT-BRACKET	CHEVY GMC 88-89	(8)	\$.65

Headlight - Composite 1990-98 Chevy & GMC Truck

Custom Headlight Sets See Page 145

PART	ILL#	DESCRIPTION	APPLICATION	REQD	PRICE
37-4404	(1)	HEADLIGHT ASSY-LH	CHEVY GMC 90-98	(1)	\$37.95
37-4405		HEADLIGHT ASSY-RH	CHEVY GMC 90-98	(1)	\$37.95
37-0200	(2)	BULB-LOW BEAM-WHITE	CHEVY GMC 90-98	(2)	\$3.75
37-0201		BULB-HIGH BEAM-WHITE	CHEVY GMC 90-98	(2)	\$3.75
29-0310	(4)	SCREW-ADJUSTER	CHEVY GMC 90-98	(8)	\$.65
37-4707	(5)	BRACKET-RH	CHEVY GMC 90-98	(1)	\$39.95
31-2700	(6)	PIN-BRACKET	CHEVY GMC 90-98	(4)	\$7.95
31-0203	(7)	BOLT-BRACKET	CHEVY GMC 90-98	(8)	\$.65
37-0405	(8)	BULB SOCKET-LOW BEAM	CHEVY GMC 90-98	(2)	\$1.95
37-0406		BULB SOCKET-HIGH BEAM	CHEVY GMC 90-98	(2)	\$1.95



Custom Bulbs See Page 146

License Plate Lamp

Models with Step Bumper
1988-98 Chevy & GMC Truck



PART	ILL#	DESCRIPTION	APPLICATION	REQD	PRICE
29-8427	(1)	LICENSE LAMP	CHROME CLEAR	CHEVY GMC 88-98	(2) \$5.95
37-4334	(1)	LICENSE LAMP	PAINTABLE CLEAR	CHEVY GMC 88-98	(2) \$6.95
29-8230	(2)	SOCKET	CHEVY GMC 88-98	(2)	\$1.95
36-0224	(3)	BULB	CLEAR CHEVY GMC 88-98	(2)	\$.65
36-0366	(3)	BULB-LED	WHITE CHEVY GMC 88-98	(2)	\$7.95
29-0814	(4)	RETAINER	CHEVY GMC 88-98	(2)	\$1.95

License Plate Lamp

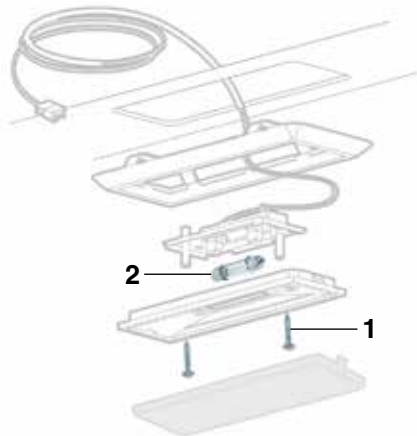
Shortbed Models with Factory Installed Trailer Hitch
1988-98 Chevy & GMC Truck



PART	ILL#	DESCRIPTION	APPLICATION	REQD	PRICE
37-4336	(1)	LICENSE LAMP	CLEAR CHEVY GMC 88-98	(1)	\$13.95
37-0401	(2)	SOCKET	CHEVY GMC 88-98	(1)	\$5.95
36-0224	(3)	BULB	CLEAR CHEVY GMC 88-98	(1)	\$.65
36-0366	(3)	BULB-LED	WHITE CHEVY GMC 88-98	(1)	\$7.95
30-0533	(4)	SCREW-LAMP	CHEVY GMC 88-98	(2)	\$.95
31-0876	(5)	NUT	CHEVY GMC 88-98	(2)	\$.65
30-0454	(6)	SCREW	CHEVY GMC 88-98	(2)	\$.95

Dome Light Components

Without Reading Lights
1988-94 Chevy & GMC Truck

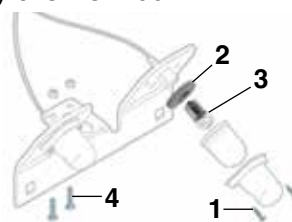


PART	ILL#	DESCRIPTION	APPLICATION	REQD	PRICE
30-0434	(1)	SCREW	CHEVY GMC 88-94	(2)	\$.85
36-0220	(2)	BULB	CLEAR CHEVY GMC 88-94	(1)	\$1.25

Custom Bulbs
See Page 146

License Plate Lamp Components

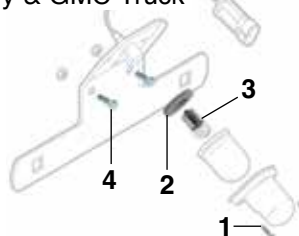
Shortbed Models without Factory Rear Bumper
1988-98 Chevy & GMC Truck



PART	ILL#	DESCRIPTION	APPLICATION	REQD	PRICE
40-0448-C	(1)	SCREW-COVER	SHORTBED	88-98	(4) \$.65
36-0526	(2)	GASKET	SHORTBED	88-98	(2) \$.95
36-0222	(3)	BULB	CLEAR SHORTBED	88-98	(2) \$.65
31-0514	(4)	SCREW	SHORTBED	88-98	(2) \$.65

License Plate Lamp Components

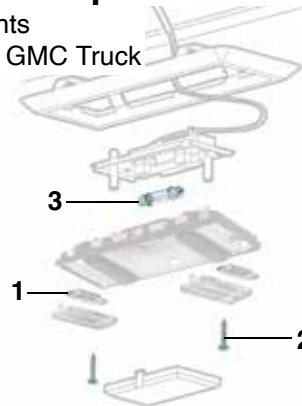
Longbed Models without Factory Rear Bumper
1988-98 Chevy & GMC Truck



PART	ILL#	DESCRIPTION	APPLICATION	REQD	PRICE
40-0448-C	(1)	SCREW-COVER	LONGBED	88-98	(2) \$.65
36-0526	(2)	GASKET	LONGBED	88-98	(1) \$.95
36-0222	(3)	BULB	CLEAR LONGBED	88-98	(1) \$.65
31-0514	(4)	SCREW	LONGBED	88-98	(2) \$.65

Dome Light Components

With Reading Lights
1988-98 Chevy & GMC Truck



PART	ILL#	DESCRIPTION	APPLICATION	REQD	PRICE
47-0230-C	(1)	BULB-READING	CLEAR CHEVY GMC 88-98	(2)	\$.99
30-0434	(2)	SCREW	CHEVY GMC 88-98	(2)	\$.85
36-0220	(3)	BULB-DOME	CLEAR CHEVY GMC 88-98	(1)	\$1.25

Mini Bulb Remover / Installer



Mini Bulb Remover/Installer features cushioned grips and rubber-coated ends for easy removal and safe installation of hard-to-reach bayonet, screw and wedge base bulbs.

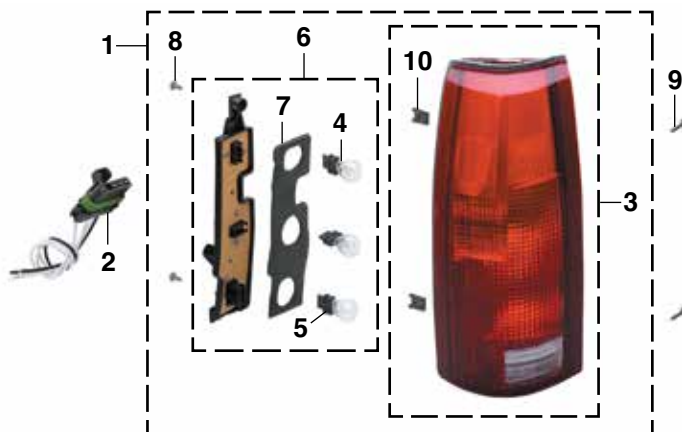
PART	DESCRIPTION	PRICE
38-1398	MINI BULB REMOVER / INSTALLER	\$10.95

Tail Light

1988-98 Chevy & GMC Truck

PART	ILL#	DESCRIPTION	APPLICATION	REQD	PRICE
37-4186	(1)	TAIL LIGHT ASSY-LH	RED/CLEAR 88-98	(1)	\$29.95
37-4187		TAIL LIGHT ASSY-RH	RED/CLEAR 88-98	(1)	\$29.95
37-0415	(2)	CONNECTOR-TAIL LIGHT	CHEVY GMC 88-98	(2)	\$10.95
37-4300	(3)	LENS/HOUSING-LH	RED/CLEAR 88-98	(1)	\$19.45
37-4301		LENS/HOUSING-RH	RED/CLEAR 88-98	(1)	\$19.45
37-0212	(4)	BULB-BRAKE/TURN	BAYONET CLEAR 88-89	(4)	\$.95
37-0203		BULB-BRAKE/TURN	WEDGE CLEAR 88-98	(4)	\$1.55
36-0225	(5)	BULB-BACKUP	BAYONET CLEAR 88-89	(2)	\$.95
37-0213		BULB-BACKUP	WEDGE CLEAR 88-98	(2)	\$1.55
37-4302	(6)	BULB MOUNTING PLATE-LH	"A" CHEVY GMC 88-98	(1)	\$9.95
37-4303		BULB MOUNTING PLATE-RH	"A" CHEVY GMC 88-98	(1)	\$9.95
37-4308	(7)	GASKET-MOUNTING PLATE	CHEVY GMC 88-98	(2)	\$1.95
29-0315	(8)	SCREW-PLATE	CHEVY GMC 88-98	(4)	\$.95
29-0309	(9)	SCREW-TAIL LIGHT	CHEVY GMC 88-98	(4)	\$.65
30-0829	(10)	U-NUT-TAIL LIGHT	CHEVY GMC 88-98	(4)	\$1.25

Note: "A" Bulb Mounting Plates use wedge type bulbs, included.



Bayonet Type **Wedge Type**

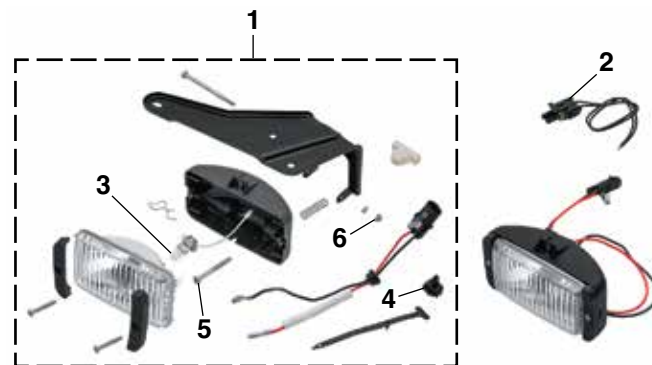
Bayonet type bulbs were originally used on 1988-89 models and wedge type bulbs were used on 1990-98 models. Check your vehicle before ordering replacement bulbs.

Fog Light

1989-97 Chevy Truck

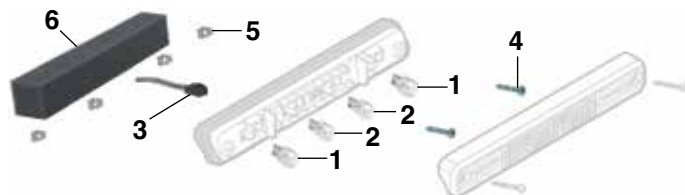
PART	ILL#	DESCRIPTION	APPLICATION	REQD	PRICE
37-4410	(1)	FOG LIGHT ASSY-LH CLEAR "A"	2WD 1/2T 89-97	(1)	\$59.95
37-4411		FOG LIGHT ASSY-RH CLEAR "A"	2WD 1/2T 89-97	(1)	\$59.95
36-0578	(2)	CONNECTOR-FOG LIGHT	2WD 1/2T 89-97	(2)	\$8.45
38-0374	(3)	BULB CLEAR	2WD 1/2T 89-97	(2)	\$1.95
30-1363	(4)	CLIP-CABLE	2WD 1/2T 89-97	(2)	\$1.45
29-0280	(5)	BOLT	2WD 1/2T 89-97	(2)	\$.95
29-0561	(6)	NUT	2WD 1/2T 89-97	(2)	\$.95

Note: "A" Plastic housing.



Cargo Light Components

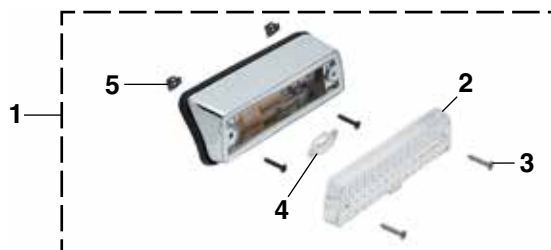
With Third Brake Light
1994-98 Chevy & GMC Truck



PART	ILL#	DESCRIPTION	APPLICATION	REQD	PRICE
47-0235-C	(1)	BULB-CARGO CLEAR	CHEVY GMC 94-98	(2)	\$.79
37-0206	(2)	BULB-3RD BRAKE CLEAR	CHEVY GMC 94-98	(2)	\$1.25
29-8242	(3)	CONNECTOR-CARGO/BRAKE	CHEVY GMC 94-98	(1)	\$39.95
31-0513	(4)	SCREW	CHEVY GMC 94-98	(2)	\$.65
31-0870	(5)	NUT	CHEVY GMC 94-98	(4)	\$.95
31-2300	(6)	SHIELD	CHEVY GMC 94-98	(1)	\$2.95

Cargo Light and Components

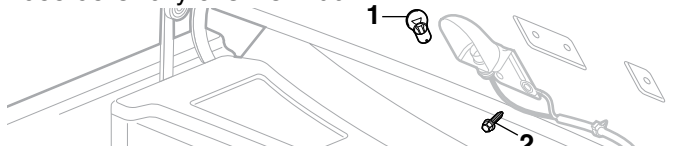
1988-93 Chevy & GMC Truck



PART	ILL#	DESCRIPTION	APPLICATION	REQD	PRICE
37-4324	(1)	CARGO LIGHT ASSY STD CAB	CHEVY GMC 88-93	(1)	\$49.95
37-4325		CARGO LIGHT ASSY EXT CAB	CHEVY GMC 88-93	(1)	\$39.95
36-4251	(2)	LENS CLEAR	CHEVY GMC 88-93	(1)	\$7.95
30-0453	(3)	SCREW	CHEVY GMC 88-93	(2)	\$.85
29-8221	(4)	BULB CLEAR	CHEVY GMC 88-93	(1)	\$1.95
40-0491-C		SCREW-CARGO LIGHT	CHEVY GMC 88-90	(2)	\$.65
31-0873	(5)	JACKNUT	CHEVY GMC 88-90	(2)	\$3.95
31-0511		SCREW	CHEVY GMC 91-93	(2)	\$.85
31-0870		INSERT NUT	CHEVY GMC 91-93	(2)	\$.95

Underhood Light - Fixed Type

1988-98 Chevy & GMC Truck



PART	ILL#	DESCRIPTION	APPLICATION	REQD	PRICE
36-0227	(1)	BULB	CLEAR CHEVY GMC 88-98	(1)	\$1.25
29-0315	(2)	SCREW	CHEVY GMC 88-98	(2)	\$.95

Driving Light Set



Driving lights provide a longer, more focused beam pattern for improved long-range vision. Features include reinforced steel housing with black finish and adjustable chrome mounting bracket with 10mm mounting stud; and state-of-the-art reflector which gives maximum light output from a 4-1/2" diameter light. Lights are complete with illuminated push button switch, 12-volt relay, all necessary wiring, mounting hardware, protective lens covers and high efficiency halogen 12V 55W replaceable bulbs.

For added style, replace the white halogen bulb with a halogen blue-coated bulb. The blue-coated bulb creates an intense white light which gives the cool look of HID (high intensity discharge) lighting without the high price.

For More Information on Superwhite Bulb Set - See Page 146

PART	DESCRIPTION	APPLICATION	REQD	PRICE
38-1274	DRIVING LIGHT SET		(1)	\$59.95
38-0374	HALOGEN BULB-WHITE	FOR 38-1274	(2)	\$1.95
36-0264	HALOGEN BULB-BLUE	FOR 38-1274	(2)	\$5.95
36-0316	SUPERWHITE BULB SET	FOR 38-1274	(1)	\$5.95

Remote Starter Switch



Remote Starter Switch allows you to start or crank your engine without help. Ideal for conducting compression tests or bumping engine to top dead center for valve, distributor or camshaft adjustment. 36" long leads have alligator clips with insulated boots and feature a push button style switch and grip.

PART	DESCRIPTION	PRICE
38-1278	REMOTE STARTER SWITCH	\$12.95

Gift Cards Now Available

Call (800) 562-8782

Available in \$25 - \$50 - \$100

- Gift Cards are the perfect gift to ensure you are giving exactly what they want!
- Gift Cards don't expire.
- Orders must be pre-paid. Orders received before 3:00 p.m. Central Time will ship same day.
- Gift Cards can now be redeemed through the mail or by phone.



Roof Marker Lamp

1988-98 Chevy & GMC Truck

Dielectric Grease
See Page 152



For More Information on LED Bulbs See Page 146

Cab Roof Light Kits See Page 151

PART	ILL#	DESCRIPTION	APPLICATION	REQD	PRICE
37-4305	(1)	ROOF MARKER LAMP	AMBER CHEVY GMC 88-98	(5)	\$11.95
37-4306	(2)	LENS	AMBER CHEVY GMC 88-98	(5)	\$19.95
37-4307	(3)	LENS PAD	CHEVY GMC 88-98	(5)	\$27.45
31-0873	(4)	NUT	CHEVY GMC 88-91	(10)	\$3.95
31-0870		NUT	CHEVY GMC 92-98	(10)	\$.95
36-0224	(5)	BULB	CLEAR CHEVY GMC 88-98	(5)	\$.65
36-0235		BULB	AMBER CHEVY GMC 88-98	(5)	\$1.25
36-0368		LED BULB	AMBER CHEVY GMC 88-98	(5)	\$7.95
36-0412	(6)	SOCKET	CHEVY GMC 88-98	(5)	\$5.95

Wiring/Tubing Grommet Assortment



This 10-piece assortment of high-quality black rubber grommets protects wires and tubing from chafing when passed through sheet metal holes. Assortment contains: one each of 1/8", 3/8", 1/2", 5/8" I.D. and two each of 3/16", 1/4" and 5/16" I.D. grommets.

PART	DESCRIPTION	REQD	PRICE
30-1269	WIRING/TUBING GROMMET ASSORTMENT	(AR)	\$2.95

Wiring Harness Retainers



These wire harness retainers are designed to be used with convoluted tubing and hold the wiring harness right where you want it. Constructed from long-lasting, high-quality materials, these wire tubing retainers are suitable for a broad variety of uses from automotive to around your home and garage. Wire harness retainers are available in multiple sizes to fit conduit diameters from a 1/4" up to 1".

PART	DESCRIPTION	APPLICATION	REQD	PRICE
36-3453	WIRING HARNESS RETAINER-BLACK	1/4"	(AR)	\$1.45
36-3454	WIRING HARNESS RETAINER-BLACK	1/2"	(AR)	\$1.45
36-3456	WIRING HARNESS RETAINER-BLACK	3/4"	(AR)	\$1.45
36-3457	WIRING HARNESS RETAINER-BLACK	1"	(AR)	\$1.45

1988-89 Custom Lights for Dual Headlight Models

Custom Light Bulbs
See Page 146



Custom Headlights ... Brighter Light for Greater Distance

These OE-quality headlights feature an aluminum die-cast housing with a protective finish coating, making the housing corrosion free. Maximum light output is produced by brighter light focused on the road for a greater distance.

The strong, semi-hardened, crystal clear glass lens does not diffuse the light like traditional headlight lenses. A high-efficiency white halogen 12V 60/55 watt replaceable bulb is included. DOT and SAE approved.

PART	DESCRIPTION	APPLICATION	REQD	PRICE
36-0302	CUSTOM HEADLIGHT-150MM-OUTER	CHEVY GMC 88-89	(2)	\$35.95
36-0303	CUSTOM HEADLIGHT-150MM-INNER	CHEVY GMC 88-89	(2)	\$36.95
37-0300	HALOGEN REPLACEMENT BULB-OUTR	WHITE	(2)	\$2.95
37-0301	HALOGEN REPLACEMENT BULB-INNR	WHITE	(2)	\$2.95
36-3582	HEAVY-DUTY HEADLIGHT HARNESS "A"	CHEVY GMC 88-89	(1)	\$24.95
36-3592	REPLACEMENT RELAY-LOW/HIGH		(2)	\$4.45

Note: "A" Fits Custom Headlights #36-0302 and #36-0303 only; for trucks without daytime running lights.



Heavy-Duty Headlight Harness

Heavy-Duty Headlight Harness draws power directly from the battery whereas the original wiring draws its power from the headlight switch. Harness has separate relays for low and high beams and features OE-style headlight sockets for easy installation. No splicing or cutting required. Call or go online and order yours today!



Custom Parklight Sets

Replace stock parking lights with these quality crystal clear lenses that are street legal when used with amber bulbs, sold separately.



PART	DESCRIPTION	APPLICATION	REQD	PRICE
37-7416	CUSTOM PARKLIGHT SET	CLEAR CHEVY GMC 88-89	(1)	\$29.95
37-0202	BULB	AMBER CHEVY GMC 88-89	(4)	\$1.35
29-8234	BULB SOCKET	WHITE PARKLIGHT 88-89	(4)	\$5.95
31-0093	PARKLIGHT SCREW KIT-BRITE	8PC CHEVY GMC 88-89	(1)	\$1.95



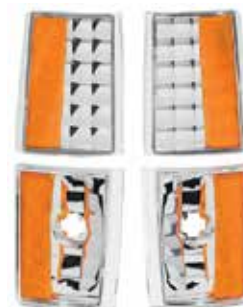
The best effect is achieved when installed with white sockets (sold below); check yours before ordering.

Custom Sidemarkers Sets for Chevy

Custom Sidemarkers Sets are made using brand new, previously unavailable tooling and are the latest in custom styling. Made to original equipment specifications to ensure proper fit. Features a durable, crystal clear lens and a chrome ABS plastic housing that is highly polished for a brilliant light output. Nuts, amber bulbs and new bulb sockets included. Easily installs into original locations, no modification necessary. 50 state DOT/SAE legal when used with included amber bulbs.

PART	DESCRIPTION	APPLICATION	REQD	PRICE
37-7418	CUSTOM SIDEMARKER SET	CLEAR CHEVY 88-89	(1)	\$29.45

Custom Sidemarkers Sets do not fit GMC models.



1988-98 Custom Lights for Single Headlight Models



These OE-quality headlights feature an aluminum die-cast housing with a protective finish coating, making the housing corrosion free. Maximum light output is produced by brighter light focused on the road for a greater distance.



The strong, semi-hardened, crystal clear glass lens does not diffuse the light like traditional headlight lenses. A high-efficiency white halogen 12V 60/55 watt replaceable bulb is included. DOT and SAE approved.

PART	DESCRIPTION	APPLICATION	REQD	PRICE
36-0282	CUSTOM HEADLIGHT-200MM	CHEVY GMC 88-98	(2)	\$35.95
36-0290	HALOGEN REPLACEMENT BULB	WHITE	(2)	\$2.45

Custom Parklight Sets



37-4600

Replace stock parking lights with these quality crystal clear lenses that are street legal when used with amber bulbs, sold separately.

The best effect is achieved when installed with white sockets (sold below); check yours before ordering.

PART	DESCRIPTION	APPLICATION	REQD	PRICE
37-4600	CUSTOM PARKLIGHT SET	CLEAR CHEVY GMC 88-98	(1)	\$29.95
37-0202	BULB	AMBER CHEVY GMC 88-98	(4)	\$1.35
29-8234	BULB SOCKET	WHITE PARKLIGHT 88-98	(4)	\$5.95
31-0094	PARKLIGHT SCREW KIT-BLACK	4PC CHEVY GMC 88-98	(1)	\$2.25

Custom Reflector Set



37-7422

Custom Reflector Set is made using brand new, previously unavailable tooling and is the latest in custom styling. Made to original equipment specifications to ensure proper fit. Features a durable, crystal clear lens and a chrome ABS plastic housing that is highly polished for a brilliant light output. Nuts included. Easily installs into original locations, no modification necessary. 50 state DOT/SAE legal.

PART	DESCRIPTION	APPLICATION	REQD	PRICE
37-7422	CUSTOM REFLECTOR SET	CLEAR CHEVY GMC 88-98	(1)	\$24.95

LED Headlights

LED Headlights dramatically improve safety and visibility with a bright white light output for superior night-time driving. Features a cast aluminum powder-coated housing with an impact-resistant polycarbonate lens and rugged aluminum reflector. Solid state

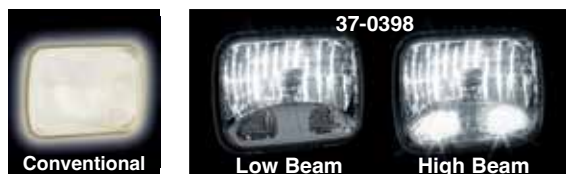
bulb-free design is resistant to damage from shock and vibration. DOT approved headlight is energy efficient and lasts longer than conventional bulbs.



37-0398



37-0397



Conventional

Low Beam

High Beam



Low Beam

High Beam

Accent

#37-0397 includes a white LED accent strip across the center that can be wired directly to any 12-volt circuit.

PART	DESCRIPTION	APPLICATION	REQD	PRICE
37-0398	200MM LED HEADLIGHT SET	CHEVY GMC 88-98	(1)	\$299.95

PART	DESCRIPTION	APPLICATION	REQD	PRICE
37-0397	200MM LED HEADLIGHT SET W/ACCENT	CHEVY GMC 88-98	(1)	\$409.95

Heavy-Duty Headlight Harness

Heavy-Duty Headlight Harness draws power directly from the battery whereas the original wiring draws its power from the headlight switch. Harness has separate relays for low and high beams and features OE-style headlight sockets for easy installation. No splicing or cutting required. Call or go online and order yours today!

Does not fit models with daytime running lights.

PART	DESCRIPTION	APPLICATION	REQD	PRICE
36-3582	HEAVY-DUTY HEADLIGHT HARNESS "A"	CHEVY GMC 88-89	(1)	\$24.95
36-3580	HEAVY-DUTY HEADLIGHT HARNESS "B"	CHEVY GMC 88-98	(1)	\$24.95
36-3582	HEAVY-DUTY HEADLIGHT HARNESS "C"	CHEVY GMC 90-98	(1)	\$24.95
36-3592	REPLACEMENT RELAY-LOW/HIGH		(2)	\$4.45



36-3580

Note: "A" Fits Custom Headlights #36-0302 and #36-0303 only, see page 143.
 "B" Fits models with single sealed beam headlights only.
 "C" Fits models with composite headlights only.

Custom Headlight Sets ... Add Style to Your Truck

Easy-to-install Custom Headlight Sets are designed to OE specifications and are easy upgrades that dramatically improve a truck's look and style. Simple hookup; connects to existing factory wiring, no alterations necessary. Includes mounting bracket. White bulbs are included with headlights.



37-7366

PART	DESCRIPTION	APPLICATION	REQD	PRICE
37-7366	CUSTOM HEADLIGHT SET	CHROME CHEVY GMC 90-98	(1)	\$99.95
37-0200	BULB-LOW BEAM	WHITE CHEVY GMC 90-98	(2)	\$3.75
37-0201	BULB-HIGH BEAM	WHITE CHEVY GMC 90-98	(2)	\$3.75



37-7349



37-7361-CR



37-7361-BL



#37-7349, #37-7361-CR and #37-7361-BL include an accent light on the high beam reflector and white LED halo that can be wired directly to any 12-volt circuit.

PART	DESCRIPTION	APPLICATION	REQD	PRICE
37-7349	CUSTOM HEADLIGHT SET-HALO CHROME	CHEVY GMC 90-98	(1)	\$199.95
37-7361-CR	CUSTOM HEADLIGHT SET-HALO CHRM	CHEVY GMC 90-98	(1)	\$199.95
37-7361-BL	CUSTOM HEADLIGHT SET-HALO BLK	CHEVY GMC 90-98	(1)	\$199.95
37-0200	BULB-LOW BEAM	WHITE CHEVY GMC 90-98	(2)	\$3.75
37-0201	BULB-HIGH BEAM	WHITE CHEVY GMC 90-98	(2)	\$3.75

1988-98
Single Headlight
See Page 144



1988-89
Dual Headlight
See Page 143



1990-98
Composite Headlight
See Page 145



Custom Light Bulbs

Custom Bulb Sets

Custom high-performance light bulbs feature the latest breakthrough in interference coating technology which gives a cool, iridescent appearance when unlit and street legal amber light when illuminated. Sold in sets of two. The best effect is achieved when installed with white sockets; check yours before ordering.

PART	DESCRIPTION	APPLICATION	REQD	PRICE
36-0275	CUSTOM BULB SET-AMBER	PARKLIGHT	88-98 (2)	\$7.95
29-8234	BULB SOCKET-WHITE	PARKLIGHT	88-98 (4)	\$5.95
36-0277	CUSTOM BULB SET-AMBER	SIDEMARKER	88-98 (1)	\$8.95
36-0410	BULB SOCKET-WHITE	SIDEMARKER	88-98 (2)	\$2.95

LED Bulbs



LED bulbs have no filament, making them less sensitive to vibrations, and illuminate 140 times faster while lasting up to 20,000 hours, much longer than conventional incandescent bulbs. They emit less heat and use only 15% of the energy required by incandescent bulbs, reducing the load placed on a vehicle's electrical system.

PART	DESCRIPTION	APPLICATION	REQD	PRICE
36-0377	LED BULB-AMBER	PARKLIGHT	88-95 (4)	\$14.95
36-0368	LED BULB-AMBER	FRONT SIDEMARKER	88-98 (2)	\$7.95
36-0410	BULB SOCKET-WHITE	FRONT SIDEMARKER	88-98 (2)	\$2.95
36-0376	LED BULB-RED	BAYONET TAIL LIGHT	88-89 (4)	\$14.95
36-0375	LED BULB-WHITE	BAYONET BACKUP	88-89 (2)	\$9.95
36-0370	LED BULB-RED	WEDGE TAIL LIGHT	88-95 (4)	\$9.45
36-0369	LED BULB-CLEAR	WEDGE BACKUP	88-98 (2)	\$8.95
36-0205	LED BULB-CLEAR	DOMELIGHT	88-98 (1)	\$5.95
47-0205-C	LED BULB-CLEAR	READING	88-98 (2)	\$6.95
36-0357	ELECTRONIC FLASHER		88-95 (1)	\$19.95
36-0358	ELECTRONIC FLASHER		96-98 (1)	\$19.95

LED Backup Light Bar



Light will need to be wired into one of your reverse lights for a signal and grounded locally.



This LED Backup Light Bar easily bolts to the top of your license plate and wires into your existing reverse lights. The Backup Light Bar will bolt onto your vehicle's top two license plate mounts. It features a die-cast aluminum housing and is finished in a satin black powder coat.

PART	DESCRIPTION	APPLICATION	REQD	PRICE
37-7475	LED BACKUP LIGHT BAR	UNIVERSAL	(1)	\$69.95

Superwhite Bulb Set Produces 30% More Light



Superwhite headlight bulbs produce 30% more light while retaining the street legal wattage. Superwhite bulbs use a proprietary mixture of premium gases that includes Xenon, which cools the light filament, improving the efficiency and light output of the bulb, unlike standard halogen bulbs which use less efficient argon gas.

Superwhite bulbs operate in the Kelvin color temperature range of 4000-4200K, producing a brighter, white light. Traditional halogen bulbs operate at 2600-3000K, emitting a more yellowish appearance. Sold in sets of two. Call or go online and order yours today!

PART	DESCRIPTION	APPLICATION	REQD	PRICE
36-0310	SUPERWHITE BULB SET 200MM	HEADLIGHT	88-98 (1)	\$10.45
36-0314	SUPERWHITE BULB SET 150MM OUTER	HEADLIGHT	88-89 (1)	\$17.95
36-0313	SUPERWHITE BULB SET 150MM INNER	HEADLIGHT	88-89 (1)	\$19.95
36-0312	SUPERWHITE BULB SET LOW BEAM	COMPOSITE	90-98 (1)	\$12.95
36-0311	SUPERWHITE BULB SET HIGH BEAM	COMPOSITE	90-98 (1)	\$9.95

Halogen Blue-Coated Headlight Bulbs

Halogen Bulb Tech Tip: Always handle halogen bulbs by the plastic base to prevent contaminants on the glass from shortening the life of the bulb.



Replace the white halogen bulbs with a halogen blue-coated bulb. Blue-coated bulb creates an intense white light, giving the cool look of HID (high intensity discharge) lighting without the high price; call or go online and order yours today!

PART	DESCRIPTION	APPLICATION	REQD	PRICE
36-0291	HALOGEN BULB-BLUE 200MM	HEADLIGHT	88-98 (2)	\$3.95
37-0302	HALOGEN BULB-BLUE 150MM OUTER	HEADLIGHT	88-89 (2)	\$8.95
37-0303	HALOGEN BULB-BLUE 150MM INNER	HEADLIGHT	88-89 (2)	\$6.95
36-0265	HALOGEN BULB-BLUE LOW BEAM	COMPOSITE	90-98 (2)	\$4.95
36-0266	HALOGEN BULB-BLUE HIGH BEAM	COMPOSITE	90-98 (2)	\$5.95

Headlight Protection Film



Headlight Protection Film is made from scratch-resistant, 30-mil thick press-polished PVC material that features a UV inhibitor to prevent shrinking and discoloration, combined with the strongest clear adhesive available for maximum durability and

distortion-free light transmission. Proven to withstand a barrage of 1" diameter stones at speeds up to 120 mph with no damage to lens. Kit contains pre-cut film, installation squeegee and instructions. Without cutouts for headlight alignment pins where equipped.

PART	DESCRIPTION	APPLICATION	REQD	PRICE
36-0330	HEADLIGHT/PARKLIGHT FILM	CHEVY GMC	90-98 (1)	\$29.95

Custom Parklight Sets

Sold as a Set of 2



37-7416



37-7336



37-7410

Replace stock parking lights with these quality crystal clear lenses that are street legal when used with amber bulbs, sold separately.



The best effect is achieved when installed with white sockets (sold below); check yours before ordering.

PART	DESCRIPTION	APPLICATION	REQD	PRICE
37-7416	CUSTOM PARKLIGHT SET CLEAR	CHEVY GMC 90-93	(1)	\$29.95
37-7336	CUSTOM PARKLIGHT SET CLEAR W/BLACK RIM	CHEVY GMC 94-98	(1)	\$37.95
37-7410	CUSTOM PARKLIGHT SET CLEAR W/SILVER RIM	CHEVY GMC 94-98	(1)	\$37.95

PART	DESCRIPTION	APPLICATION	REQD	PRICE
29-8234	BULB SOCKET	WHITE PARKLIGHT 90-98	(4)	\$5.95
37-0202	BULB	AMBER CHEVY GMC 90-98	(4)	\$1.35
31-0092	PARKLIGHT SCREW KIT-BLACK	8PC CHEVY GMC 90-98	(1)	\$1.95
31-0093	PARKLIGHT SCREW KIT-BRITE	8PC CHEVY GMC 90-98	(1)	\$1.95

Clear Parklight Kit with Chrome Rim

Custom Light Bulbs
See Page 146



37-7493

PART	DESCRIPTION	APPLICATION	REQD	PRICE
For Models with Dual Headlights				
37-7493	CLEAR PARKLIGHT KIT W/CHROME RIM	CHEVY GMC 88-89	(1)	\$49.95
For Models with Composite Headlights				
37-7493	CLEAR PARKLIGHT KIT W/CHROME RIM	CHEVY GMC 90-93	(1)	\$49.95

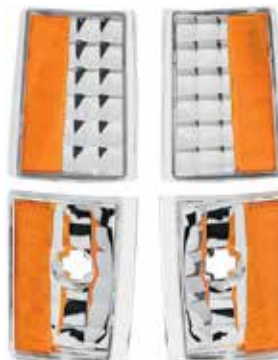


Custom Sidemarker Sets for Chevy

Custom Sidemarker Sets are made using brand new, previously unavailable tooling and are the latest in custom styling. Made to original equipment specifications to ensure proper fit. Features a durable, crystal clear lens and a chrome ABS plastic housing that is highly polished for a brilliant light output. Nuts, amber bulbs and new bulb sockets included. Easily installs into original locations, no modification necessary. 50 state DOT/SAE legal when used with included amber bulbs.



Custom Sidemarker Sets do not fit GMC models.



37-7418



37-7419

PART	DESCRIPTION	APPLICATION	REQD	PRICE
37-7418	CUSTOM SIDEMARKER SET CLEAR	CHEVY 90-93	(1)	\$29.45
37-7419	CUSTOM SIDEMARKER SET CLEAR	CHEVY 94-98	(1)	\$29.45

LED Parklight Set ... The Future of Automotive Lighting

LED parklights are a direct replacement for stock parklights and are made to factory specifications. No modifications to fit needed. They feature LEDs for parklights and turn signals.

Additional LED benefits:

LED lights have no filament, which means they are less sensitive to vibrations, and they can last up to 20,000 hours. They use only 15% of the energy required by incandescent bulbs, reducing the load placed on your truck's charging system, and less heat is emitted.



37-7459



37-7368

PART	DESCRIPTION	APPLICATION	REQD	PRICE
37-7459	LED PARKLIGHT SET CRYSTAL CLEAR	CHEVY GMC 94-98	(1)	\$149.95
37-7368	LED PARKLIGHT SET BLACK	CHEVY GMC 94-98	(1)	\$149.95

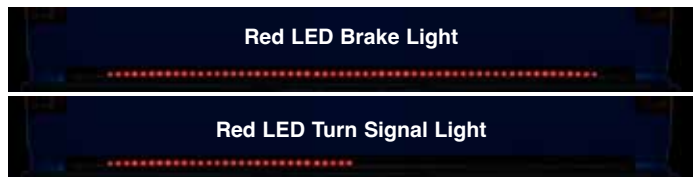
LED Tailgate Lights ... For Increased Safety with Style



LED Tailgate Light

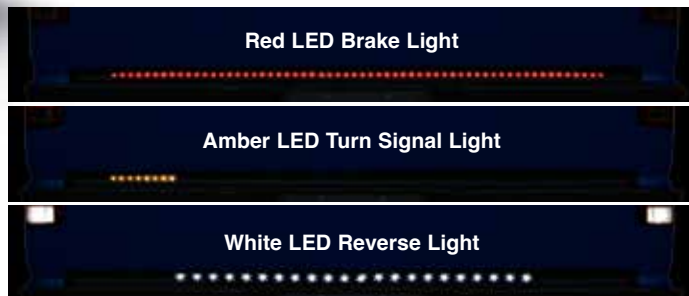
3 Color LED Tailgate Light

Red LED Tailgate Light



LED Tailgate Light turns on with the tail lights, brightens with the brake lights and flashes with the turn signals. Mounts in the space between tailgate and bumper with included self-stick tape; no drilling required. Simple hook-up with attached 4-prong adaptor that connects to factory hitch plug or can be hardwired, if required.

PART	DESCRIPTION	APPLICATION	REQD	PRICE
37-7328	LED TAILGATE LIGHT-RED	49" STEPSIDE	(1)	\$20.09
37-7329	LED TAILGATE LIGHT-RED	60" FLEETSIDE	(1)	\$39.95



How-To Video Available
Featuring TV Personality Kevin Tetz
Visit Imctruck.com/product-videos

This 3 Color LED Tailgate Light offers full-length, dual-brightness red LEDs for running lights and brake lights; outer amber LEDs for turn signals; and a wide center section of white LEDs for reverse lights. Mounts in the

space between tailgate and bumper with included self-adhesive tape; no drilling required. Includes 4-prong adaptor for easy hook-up to factory hitch plug or can be hardwired for a permanent solution. A power and reverse light wire will need to be connected to the control box for proper function.

PART	DESCRIPTION	APPLICATION	REQD	PRICE
37-7378	LED TAILGATE LIGHT-3 COLOR	49" STEPSIDE	(1)	\$44.95
37-7379	LED TAILGATE LIGHT-3 COLOR	60" FLEETSIDE	(1)	\$55.95

PUTCO LED Blade Tailgate Light ... Over 2,000 LEDs for a Distinctive Look



LED Blade Tailgate Light



Blade Tailgate Light features over 2,000 high-power COB (chip on board) LEDs that increase safety with distinctive red running and brake lights, amber turn signals and white reverse lights.

Blade Tailgate Light features a fully encapsulated tinted polycarbonate housing and is IP69K rated, to be fully sealed from weather, dust and water.

Includes a four-prong wiring harness for easy hook up to a receiver hitch.

PART	DESCRIPTION	PRICE
37-7497	LED TAILGATE LIGHT 48" LIGHT	\$292.99
37-7498	LED TAILGATE LIGHT 60" LIGHT	\$321.99

Custom Tail Light Sets



37-7292

37-7293

Tail Light Bulb Identification See Page 141



37-7321

37-7322

37-4611

Custom Tail Light Sets feature uniquely styled lenses for a cool custom look and are fully DOT compliant. Parts #37-7292, #37-7293 and #37-4611 utilize a special molded housing that eliminates the use of the factory circuit boards. The housings on parts #37-7321 and #37-7322 retain the provision for circuit boards.



Custom Tail Light Sets are an easy replacement for your stock tail lights. Order yours today!

PART	DESCRIPTION	APPLICATION	REQD	PRICE
Custom Tail Light Sets				
37-7292	CUSTOM TAIL LIGHT SET	CLEAR LENS	88-98 (1)	\$119.95
37-7293	CUSTOM TAIL LIGHT SET	SMOKE LENS	88-98 (1)	\$129.95
37-7321	CUSTOM TAIL LIGHT SET	CLEAR LENS	88-98 (1)	\$69.95
37-7322	CUSTOM TAIL LIGHT SET	CARBON FIBER	88-98 (1)	\$89.95
37-4611	CUSTOM TAIL LIGHT SET	CLEAR LENS	88-98 (1)	\$59.95
Bulbs				
37-0212	BULB-BRAKE/TURN	CLEAR BAYONET	88-89 (4)	\$.95
37-0203	BULB-BRAKE/TURN	CLEAR WEDGE	88-98 (4)	\$1.55
36-0225	BULB-BACKUP	CLEAR BAYONET	88-89 (2)	\$.95
37-0213	BULB-BACKUP	CLEAR WEDGE	88-98 (2)	\$1.55

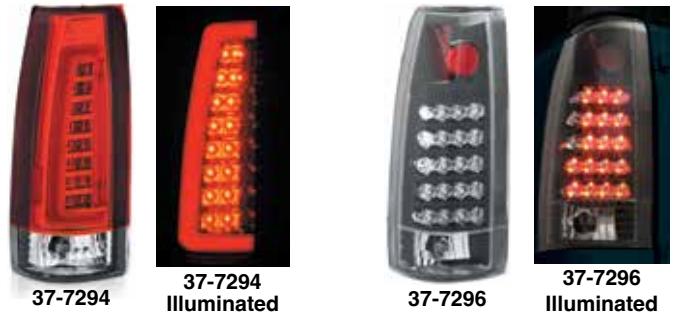
LED Tail Light Sets ... The Future of Automotive Lighting



37-7289

37-7291

37-7295



37-7294

37-7294 Illuminated

37-7296

37-7296 Illuminated

New technology previously only on high-end luxury cars is now available for your truck! These tail lights quickly alert other drivers of your intentions with LED bulbs that illuminate 140 times faster than conventional incandescent bulbs, which translates to a gain of 20+ feet of reaction distance.

Additional LED benefits:

LEDs have no filament, which means they are less sensitive to vibrations, and they can last up to 20,000 hours. They use only 15% of the energy required by incandescent bulbs, reducing the load placed on your truck's charging system and less heat is emitted.

Tail lights are a direct replacement for stock tail lights and are made to factory specifications. No modifications to fit required. They feature LEDs for brake lights, parking lights and turn signals. Backup lights use plain bulbs, included.



37-7297



PART	DESCRIPTION	APPLICATION	REQD	PRICE
37-7289	LED TAIL LIGHT SET-BLACK	CHEVY GMC 88-98	(1)	\$223.95
37-7291	LED TAIL LIGHT SET-RED	CHEVY GMC 88-98	(1)	\$223.95
37-7295	LED TAIL LIGHT SET-BLACK	CHEVY GMC 88-98	(1)	\$297.95
37-7294	LED TAIL LIGHT SET-RED	CHEVY GMC 88-98	(1)	\$297.95
37-7296	LED TAIL LIGHT SET-BLACK	CHEVY GMC 88-98	(1)	\$249.95
37-7297	LED TAIL LIGHT SET-RED	CHEVY GMC 88-98	(1)	\$249.95
37-0206	BULB-BACKUP-CLEAR	CHEVY GMC 88-98	(2)	\$1.25

LED Third Brake/Cargo Light ... The Future of Automotive Lighting

New technology previously available only on high-end luxury cars is now available for trucks! This third brake light quickly alerts other drivers of your intentions with LED bulbs that illuminate 140 times faster than conventional incandescent bulbs, which translates to a gain of 20+ feet of reaction distance.

Additional LED benefits:

LED lights have no filament, which means they are less sensitive to vibrations and can last up to 20,000 hours. They use only 15% of the energy required by incandescent bulbs, reducing the load placed on your truck's charging system, and less heat is emitted.

PART	DESCRIPTION	APPLICATION	REQD	PRICE
37-4589	LED 3RD BRAKE/CARGO LIGHT	CLEAR	CHEVY GMC 94-98 (1)	\$54.95

LED Third Brake/Cargo Light is a direct replacement for stock unit and is made to factory specifications. No modifications needed. Features LEDs for brake and cargo lights.



37-4589 Lighted

High Beam Headlight Relay Kit



Before



After



36-3595

36-3593

Since the four-headlight system was introduced in 1988 on GM pickups, the low beams would go off when the high beams are turned on. This kit will increase the intensity and improve the spread pattern by keeping all four lights on when in high beam mode.

PART	DESCRIPTION	APPLICATION	REQD	PRICE
36-3595	HIGH BEAM HEADLIGHT RELAY	CHEVY GMC 88-98	(1)	\$19.95
36-3593	REPLACEMENT RELAY		(1)	\$3.95

Underhood Lamp



36-4503



Installation Tip: Since all hoods and mounting locations are different, a slight adjustment to mounting bracket may be needed to assure light goes out when hood is closed. After mounting bracket and wires have been installed, apply pressure to the mounting bracket to change the angle as needed for proper operation.

Underhood Lamp adapts to any 12 volt truck and helps illuminate the engine bay. No need for wiring into a switch, bulb socket base is gravity activated; lamp comes on when hood is raised and goes out when hood is lowered. Mount underneath hood and connect lamp wire to any constant 12 volt source. Moisture proof in-line fuse is integrated into the wire for protection.

PART	DESCRIPTION	APPLICATION	REQD	PRICE
36-4503	UNDERHOOD LAMP	12 VOLT	(1)	\$59.95
36-0225	REPLACEMENT BULB CLEAR	FOR 36-4503	(1)	\$.95
31-0575	INSTALLATION SCREW	FOR 36-4503	(2)	\$.65

Outside Chrome Cargo Light



37-4324

PART	DESCRIPTION	APPLICATION	REQD	PRICE
37-4324	CARGO LIGHT ASSEMBLY	STD CAB	CHEVY GMC 88-93	(1) \$49.95
37-4325	CARGO LIGHT ASSEMBLY	EXT CAB	CHEVY GMC 88-93	(1) \$39.95

Tail Light Cover Set



38-0891

Tail Light Cover Set will dramatically enhance the look of your truck. Mounts easily using 3M™ Automotive Dual Lock, included. Brake lights show through when on, but disappear when off. Available in smoke only.

Tail Light Covers may not be legal in some states, please check with your state and local authorities before ordering.

PART	DESCRIPTION	APPLICATION	REQD	PRICE
38-0891	TAIL LIGHT COVER SET	SMOKE	CHEVY GMC 88-98	(1) \$105.95

www.LMCTRUCK.com

Shop Online - Online Catalogs - 24/7

Fast, Simple, Safe!



Cab Roof Light Kits ... Add Visibility and Big Rig Style

Cab Roof Light Kits are available in amber or clear. Kits meet SAE specifications when used with included bulbs. The two outside lights (clearance lights) and three inner ones (marker lights) give oncoming traffic a visual fix on the truck for additional safety.

All kits come complete with lights, bulbs, wire harness, quick splice connectors and a dash mount panel with toggle switch plus indicator light which allows the Cab Roof Lights to be operated independently of the headlights.



For More Information on LED and Custom Bulbs - See Page 146



38-1070



38-1072

PART	DESCRIPTION	REQD	PRICE
38-1070	CAB ROOF 5 LIGHT KIT AMBER	(1)	\$43.95
36-0224	BULB CLEAR	(5)	\$.65
36-0368	LED BULB AMBER	(5)	\$7.95
38-1072	CAB ROOF 5 LIGHT KIT CLEAR	(1)	\$39.95
36-0235	BULB AMBER	(5)	\$1.25
36-0277	CUSTOM BULB-SET OF 2 AMBER	(3)	\$8.95
36-0368	LED BULB AMBER	(5)	\$7.95



38-1075



38-1074



38-1071

PART	DESCRIPTION	REQD	PRICE
38-1075	CAB ROOF 5 LIGHT KIT AMBER	(1)	\$89.95
36-0222	BULB CLEAR	(5)	\$.65
38-1074	CAB ROOF 5 LIGHT KIT CLEAR	(1)	\$79.95
36-0202	BULB AMBER	(5)	\$1.35
38-1071	CAB ROOF 3 LIGHT KIT AMBER	(1)	\$69.95
36-0224	BULB CLEAR	(5)	\$.65
36-0368	LED BULB AMBER	(5)	\$7.95

LED Cab Roof Light Kit benefits:

LED lights have no filament, which means they are less sensitive to vibrations, and they can last up to 20,000 hours. They use only 15%

of the energy required by incandescent bulbs, reducing the load on the truck's charging system, and less heat is emitted.



38-1076

PART	DESCRIPTION	APPLICATION	REQD	PRICE
38-1076	LED CAB ROOF 5 LIGHT KIT CLEAR	W/AMBER LEDES	(1)	\$80.95



38-1077

PART	DESCRIPTION	APPLICATION	REQD	PRICE
38-1077	LED CAB ROOF 3 LIGHT KIT CLEAR	W/AMBER LEDES	(1)	\$80.95

LED Cargo Lights ... Light Up Your Bed



LED Cargo Lights provide great lighting and visibility with 8 LED modules (two 69" sets of four evenly spaced pre-wired LED modules). Each module has 6 super bright cool white LEDs and mounts easily below bed rail with pre-applied 3M™ tape and included wiring clips. Install with the included optional switch or wire into existing cargo light.

PART	DESCRIPTION	REQD	PRICE
38-1063	LED CARGO LIGHT SET FLEETSIDE 88-98	(1)	\$35.95

LED Bolt Set for Your License Plate



LED Bolt Set contains chrome bolts which feature an integrated white LED that illuminates at a 90° angle. Ideal for use where extra light is needed. For 12-volt systems only.



PART	DESCRIPTION	REQD	PRICE
36-4506	LED LICENSE PLATE BOLT SET	(AR)	\$11.45



Loctite Ready Gasket makes leak-proof gaskets for temperatures from -75°F to 450°F. Blowout resistant, sensor-safe and ideal for sealing differential covers, valve covers, water pumps, thermostat housings and more. Applies with a standard caulking gun, dries black.

PART	DESCRIPTION	PRICE
38-0767	5 OZ TUBE	\$16.95



Loctite RTV Red is a high-temperature silicone gasket maker and adhesive. It forms a tough, flexible seal that is resistant to most chemicals without hardening, shrinking or cracking. RTV Red has a temperature range of -75°F to +600°F and is sensor-safe.

PART	DESCRIPTION	PRICE
38-0774	2.7 OZ TUBE	\$6.95



Loctite Spray Adhesive dries clear with superior bonding strength. Excels at attaching upholstery cloth, carpeting, insulation and has many other uses. Not recommended for use on headliners.

PART	DESCRIPTION	PRICE
38-0798	10.5 OZ CAN	\$8.95



Loctite Rubberized Undercoating is a heavy-duty undercoating that seals, protects and insulates frames, floor pans, wheel wells and other body panels. Rubberized for maximum durability.

PART	DESCRIPTION	PRICE
38-0766	16 OZ AEROSOL	\$6.95



Permatex Windshield and Glass Sealant is a silicone sealant for windshields, windows and other glass. Flows into leaks like water and dries to form a flexible, tough, clear seal that is resistant to extreme temperatures, vibration and most chemicals.

PART	DESCRIPTION	PRICE
38-0783	1.5 OZ TUBE	\$6.25



Permatex Anti-Seize Lubricant is a highly refined blend of aluminum, copper and graphite lubricants. Use during assembly to prevent galling, corrosion and seizing due to weathering or chemicals. Anti-Seize Lubricant assures easier disassembly and is salt, corrosion and moisture resistant.

PART	DESCRIPTION	PRICE
38-0757	4 OZ JAR	\$8.45



Penetrating Graphite Powder is an extra fine graphite powder that is odorless dry powder lubricant, used to guard against sticking, wear, and corrosion. Keeps brake cables, speedometer cables, control cables, hinges, locks and other metal applications working smoothly. Helps prevent corrosion and rust.

PART	DESCRIPTION	PRICE
38-0751	.21 OZ TUBE	\$3.95



Permatex Weatherstrip Adhesive is a flexible, water-resistant black adhesive for bonding rubber and metal surfaces. Withstands extreme temperatures and resistant to gasoline, antifreeze and most solvents.

PART	DESCRIPTION	PRICE
38-0759	5 OZ TUBE	\$8.95



Permatex Orange Threadlocker is a hybrid formula that combines the strength of Red with the removability of Blue Threadlocker. Orange Threadlocker is ideal for heavy-duty, high vibration applications and can be removed with hand tools without heating.

PART	DESCRIPTION	PRICE
38-0749	.34 OZ TUBE	\$11.95



Loctite Dielectric Grease extends the life of electrical components by protecting them from moisture, salt and corrosion. Also prevents spark plugs from fusing to boots. Use on fuses, battery terminals, ignition components and other electrical connections.

PART	DESCRIPTION	PRICE
38-0770	.33 OZ TUBE	\$4.95



Permatex's Thread Sealant with PTFE (a thermoplastic polymer) is an economical general-purpose fitting sealant. It outperforms traditional tapes and pipe dopes while it seals and resists pressure in air, oil, diesel fuel and hydraulic systems. Thread Sealant remains pliable at higher and lower temperatures.

PART	DESCRIPTION	PRICE
38-0753	4 OZ JAR	\$8.45



Vinyl Edge Sealer Pen is an ultraviolet light-blocking, fast-drying, clear acrylic sealer that protects the edges of vinyl decals, graphics and the ends of adhesive chrome body moldings. It features a wedge applicator tip for a smooth, even application.

PART	DESCRIPTION	PRICE
38-0921	.3 OZ PEN	\$12.95



3M™ Adhesive Tape is a high-performance, double-sided tape for all types of accessories,

both interior and exterior. The tape's foam core allows it to expand and contract with temperature changes and to conform to surface irregularities and gaps. Includes three 1" x 12" strips.

PART	DESCRIPTION	PRICE
38-0788	3M TAPE	\$8.95



Strip Caulk is a non-hardening, non-shrinking waterproof black caulking material with great adhesion properties

and is temperature resistant from -400°F to +500°F. Perfect for sealing around hoses, tubing, wiring or any other hole, joint, seam, void or gap to prevent fumes, moisture or noise penetration. Easy to apply and can be painted immediately. Contains twelve 1/4" x 12" strips.

PART	DESCRIPTION	PRICE
38-0779	STRIP CAULK	\$5.75



Loctite Copper Anti-Seize Stick protects against high-temp seizing and galling of fasteners up to 1,800°F. Perfect for spark plugs, exhaust manifold bolts, thermostat housing bolts and oxygen sensors.

PART	DESCRIPTION	PRICE
38-0765	20 GRAM STICK	\$5.95



Seam Sealer provides superior adhesion and flexibility without cracking or peeling. Its self-leveling qualities make it an excellent sealer on cowl, floor, doors and wheel house seams. Skin time is 1-2 minutes and can be painted in 30-60 minutes. Applies with a standard caulking gun.

PART	DESCRIPTION	PRICE
38-0781	11 OZ TUBE	\$16.45

PaintUCATION Kevin Tetz Paintucation DVDs

Paintucation DVD Set: Contains all five Paintucation DVDs to help you repair and restore your vehicle's body from start to finish.

PART	DESCRIPTION	PRICE
38-0448	PAINTUCATION DVD SET	\$169.95

Body Shop Basics: Provides fundamental information about basic tool selection, simple dent repair, blending colors, gun technique, proper safety techniques and surface defect repair. 90 minutes

PART	DESCRIPTION	PRICE
38-0347	DVD-BODY SHOP BASICS	\$35.95

Metal Prep & Rust Repair: Demonstrates stripping metal with chemicals and sanders and illustrates fixing a rust patch from start to finish. Metal finishing and body filler techniques are shown, as well as surface rust removal, conversion and primer application. 75 minutes

PART	DESCRIPTION	PRICE
38-0348	DVD-METAL PREP&RUST REPAIR	\$35.95

Paint Your Own Truck: Instruction on proper paint gun techniques, panel alignment secrets, surface rust removal and application tips for fillers, primers and paints. Learn how to apply two-tone paint jobs, demonstrated in simple steps with detailed masking tips and tricks that yield professional results. 240 minutes.

PART	DESCRIPTION	PRICE
38-0449	DVD PAINT YOUR OWN TRUCK	\$35.95



Body Panel Replacement: Includes five different panel replacement projects covering welding sheet metal, gapping panels, "old school" leading, door skinning, partial panels, full quarter panel replacement, new sheet metal fitment, metal finishing and the latest panel adhesive. Double-sided DVD. 150 minutes

PART	DESCRIPTION	PRICE
38-0346	DVD-BODY PANEL REPLACEMENT	\$35.95

Color Sanding & Buffing: Explains what to do after the paint is dry and shows the difference between a "show" finish and a daily driver finish. Run repair techniques are shown in detail, as well as reviving old paint. Shows updated techniques using state-of-the-art compounds and pneumatic sanding systems designed to take the labor out of achieving a show-quality paint finish. 65 minutes

PART	DESCRIPTION	PRICE
38-0349	DVD-COLOR SANDING&BUFFING	\$35.95

Haynes Workshop Manuals

Chevrolet & GMC Pickups 1988-1998:

Easy-to-follow, step-by-step procedures for 1988-98 Chevrolet and GMC pickups using "hands-on" experience and common tools. Covers gasoline engines only.



PART	DESCRIPTION	PRICE
38-0428	HAYNES MANUAL 1988-98	\$33.25

Automotive Computer Codes & Electronic Engine Management Systems:

Fully illustrated manual provides computer-controlled vehicle repair instructions using simple do-it-yourself diagnosis, on-board computer trouble codes and code charts. Covers 1980-95 trucks.



PART	DESCRIPTION	PRICE
38-0429	COMPUTER CODES 1980-95	\$33.25

OBD-II & Electronic Engine Management Systems:

Fully illustrated manual provides computer-controlled car repair instructions for all car and light truck models manufactured since 1996. Learn how to read the codes for a "Check Engine" light and be able to diagnose and fix the problem as well as understand the vehicle's On-Board Diagnostic system. Includes comprehensive computer code lists.



PART	DESCRIPTION	PRICE
38-0409	OBD-II TECHBOOK 1996-ON	\$33.25



YOUR TRUCK YOUR STORY

SHARE YOUR
**TRUCK
JOURNEY**

Imctrucklife.com

Stacey David's Gearz Project Planning Book



Stacey David's Gearz Project Planning Book is a comprehensive guide to help you plan, budget, document and archive a complete project build from start to finish. This guide will help you stay more organized by planning ahead while keeping you on track and inspiring you to reach your project goals.

Each fill-in-the-blank section allows you to document the specific parts used, part numbers and costs involved. A table of contents breaks down the 22 color-coded sections. The 8 1/2" x 11" wire-bound book has 144 pages with a clear sleeve for receipts and photos.

Stacey David's Gearz Project Planning Book written by Stacey David copyright 2015 Rattle Trap Productions, Inc.

PART	DESCRIPTION	PRICE
38-4680	GEARZ PROJECT PLANNING BOOK	\$19.95

Embroidered Logo Hats

\$16.95
each



38-0648-BL

38-0648-TN

These low-profile cotton twill embroidered logo hats are comfortable and stylish. Chevy and GMC logos are officially licensed by General Motors. One size fits all with the adjustable rear strap.

GM Official Licensed Product is purchased from an authorized GM Licensee.

Mesh Back Logo Hat



38-0717-BL

38-0717-LL

38-0717-TN

38-0717-CM

T-shirts ... Show Your Chevy Pride

High-quality, 100% cotton, preshrunk T-shirts are available in four sizes. They make a great gift for any Chevrolet enthusiast.

T-shirts are silkscreened in vivid color and feature a pocket size design on the front of the T-shirts. Call or go online and order today!

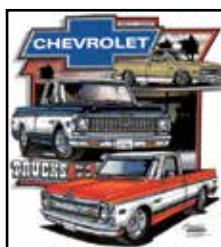
GM Official Licensed Product is purchased from an authorized GM Licensee.



Front of Shirt

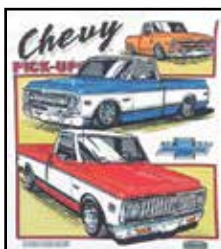
- Sizes Available:
- Large
 - X-Large
 - XX-Large
 - XXX-Large

PART	SIZE	PRICE
38-0718-L	LARGE	\$16.95
38-0718-1X	X-LARGE	\$16.95
38-0718-2X	XX-LARGE	\$21.95
38-0718-3X	XXX-LARGE	\$22.95



Front of Shirt

PART	SIZE	PRICE
38-0658	LARGE	\$15.95
38-0659	X-LARGE	\$15.95
38-0660	XX-LARGE	\$19.95
38-0693	XXX-LARGE	\$21.95



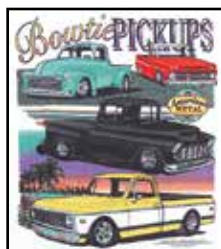
Front of Shirt

PART	SIZE	PRICE
38-0680	LARGE	\$15.95
38-0681	X-LARGE	\$15.95
38-0682	XX-LARGE	\$19.95
38-0691	XXX-LARGE	\$21.95



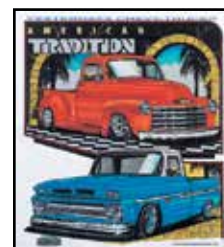
Front of Shirt

PART	SIZE	PRICE
38-0655	LARGE	\$15.95
38-0656	X-LARGE	\$15.95
38-0657	XX-LARGE	\$19.95
38-0692	XXX-LARGE	\$21.95



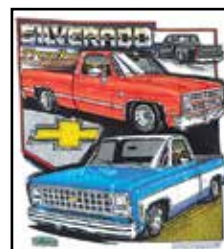
Bowtie Pickups T-shirt is a front T-shirt design only.

PART	SIZE	PRICE
38-0684	LARGE	\$14.95
38-0685	X-LARGE	\$14.95
38-0686	XX-LARGE	\$18.95
38-0699	XXX-LARGE	\$19.95



Front of Shirt

PART	SIZE	PRICE
38-0652	LARGE	\$15.95
38-0653	X-LARGE	\$15.95
38-0654	XX-LARGE	\$19.95
38-0690	XXX-LARGE	\$21.95



Front of Shirt

PART	SIZE	PRICE
38-0665	LARGE	\$15.95
38-0666	X-LARGE	\$15.95
38-0667	XX-LARGE	\$19.95
38-0694	XXX-LARGE	\$21.95

LMC Truck Cover ... Who Knew Protecting Your Vehicle's Finish Could Be So Inexpensive!

LMC universal fit truck covers provide protection from the elements and are not affected by temperature extremes. In summer a cover keeps the interior cooler and helps protect from the sun's damaging rays, which can cause fading and deterioration. In winter it can keep the snow and ice off your glass and finish.

Fabric will not stretch, shrink, rot or mildew. Elastic is sewn in front and rear hems to ensure snug fit. Call or go online and order your truck cover today.

Antenna must be removed or an antenna grommet attached to your cover before use. See below for more information on antenna grommet.



LMC 1000 **\$59.95**
GOOD each

For Moderate Weather Conditions

Durable synthetic fabric has the look and feel of more expensive covers. Water resistant, yet breathable and features double-stitched seams for maximum strength.

LMC 3000 **\$99.95**
BETTER each

Superior Protection at a Great Value

Superior breathable 3-layer synthetic fabric is highly water resistant, even during downpours and provides a soft cushioning layer that protects your paint. No-leak construction is achieved through ultrasonic welding, and UV-stable materials ensure a long life, making them ideal for long-term vehicle storage.

LMC 4000 **\$160.95**
BEST each

Best Protection for Your Truck

Highly water resistant 4-layer synthetic fabric has fleece-lined bottom layer with durable outer layer, breathable 2nd layer, protective 3rd layer, soft fleece 4th layer. Patented UV Stabilizer and ultrasonic seam welding ensure a long life. Features tie-down strap and buckle attached with strap pocket built into cover for easy storage.

Chevy/GMC Pickups		
38-8800	Std Cab Shortbed	1988-98
38-8801	Std Cab Longbed	1988-98
38-8802	Ext Cab Shortbed	1988-98
38-8803	Ext Cab Longbed	1988-98

Chevy/GMC Pickups		
38-8810	Std Cab Shortbed	1988-98
38-8811	Std Cab Longbed	1988-98
38-8812	Ext Cab Shortbed	1988-98
38-8813	Ext Cab Longbed	1988-98

Chevy/GMC Pickups		
38-8820	Std Cab Shortbed	1988-98
38-8821	Std Cab Longbed	1988-98
38-8822	Ext Cab Shortbed	1988-98
38-8823	Ext Cab Longbed	1988-98

Antenna Grommet

Soft rubber antenna grommet will attach to any size cover and easily fit over any antenna mast up to 1/2" in diameter. Includes easy-to-follow instructions.



30-1283
\$.95

Truck Cover Lock Kit

Keep your new truck cover secure with this security cable and lock. Sides of LMC Truck Cover are equipped with plastic grommets to accommodate the security cable.



38-3195
\$14.95

4 EASY WAYS TO ORDER PARTS

ONLINE

www.LMCtruck.com
Fast, Simple, Safe!

PHONE

(800) 562-8782

FAX

(800) 541-8525 USA & Canada
(913) 599-0323 Worldwide

MAIL

P.O. Box 14991
Lenexa, KS 66285-4991

Vintage Metal Chevrolet Coolers

Coolers feature embossed logos, insulated all-metal construction, removable mini tray and side-mount bottle opener. (Beverages not included.)

Measures 18"L x 9"W x 14"H.



38-0945
Blue
\$129.95

38-0996
Red
\$129.95



38-0997
Black
\$129.95



GM Official Licensed Product is purchased from an authorized GM Licensee.

Horns ... Choose One For Your Style

Horns



36-2150
Std Low
\$16.45

36-2152
Std High
\$16.45

HELLA Horns Make Your Presence Known



38-0372
\$29.95

Attractive set of Electric Twin Tone Horns. One high toned, the other low toned. Contains relay and mounting bracket.

Electronic Musical Horn Plays 46 Sounds



38-1503
\$29.95

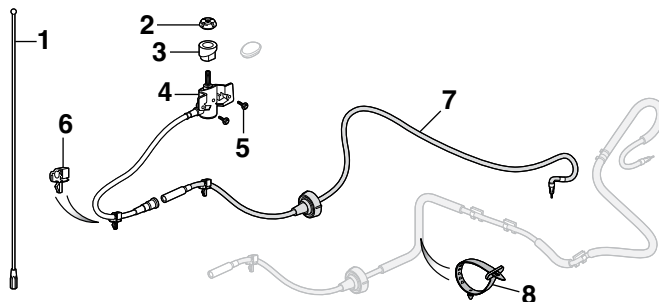
Electronic Musical Horn plugs into a cigarette lighter or power point to play sound three times and stop automatically or can be used as a loudspeaker with included microphone. Auxiliary input allows you to play music from your MP3 player or iPod. Command module is 7" wide by 3" high and mounts using included adhesive backed hook and loop patches. No drilling is required.

Adjustable rotary on/off volume control allows for easy sound level control, five bright LED lights on control module instantly indicate system mode and a 4" diameter weatherproof horn mounts under the hood. For 12 volt negative ground systems.

3 Modes ... Animal, Alarm or Music ... 46 Different Sounds

OE Type Antenna

1988-98 Chevy & GMC Truck



PART	ILL#	DESCRIPTION	APPLICATION	REQD	PRICE
36-2123	(1)	ANTENNA MAST-SMOOTH	CHEVY GMC 88-96	(1)	\$10.95
37-2102	(2)	NUT	CHEVY GMC 88-98	(1)	\$5.95
37-2103	(3)	BEZEL	CHEVY GMC 88-98	(1)	\$3.95
37-2104	(4)	ANTENNA CABLE	"A" CHEVY GMC 88-95	(1)	\$99.95
37-2105		ANTENNA CABLE	"B" CHEVY GMC 95-98	(1)	\$59.95
31-0547	(5)	SCREW	CHEVY GMC 88-98	(2)	\$5.25
29-0838	(6)	CLIP	CHEVY GMC 88-98	(1)	\$6.39
37-2106	(7)	CABLE EXTENSION	CHEVY GMC 88-93	(1)	\$25.95
30-1363	(8)	RETAINER	CHEVY GMC 97-98	(1)	\$1.45

Note: "A" Cable ends with one female connector.
"B" Cable ends with one male connector.

AM/FM Antennas



38-1150
\$11.95

Universal Rubber Mast Antenna: This flexible antenna has a 180° adjustable base that makes top or side mounting easy. The removable mast measures 14" in length.



38-1152
\$12.95

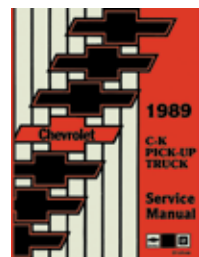
Universal Stainless Steel Mast Antennas: #38-1152 is a top mount, four-section antenna that extends 32" and is fully collapsible for convenience and security. Protective plastic tube requires 9" of clearance below mounting surface. Includes a key for raising the mast when retracted.



#38-1154 is a three-section antenna that extends 47" and collapses to 18". Can be used on top or side mount locations with the 180° adjustable base.

38-1154
\$14.25

Shop Manual on USB Drive



Replace your paper shop manual with a Shop Manual on a USB drive. USB drives contain scanned original shop manuals, complete with illustrations.

Choose the category you need and print the necessary pages for each project, as many times as you want. The PDF manual on a USB flash drive is totally portable and is compatible with Windows, MAC iOS, and Android operating systems. (Adobe Acrobat Reader or similar required to view). Each PDF features bookmarked sections, allowing you to easily navigate the entire manual in seconds and print only the pages you need.

PART	DESCRIPTION	PRICE
38-0721-88	SHOP MANUAL-USB 88-89	\$25.95
38-0721-90	SHOP MANUAL-USB 90	\$25.95

Amplified Hide-Away Antenna



38-1145
\$29.99

Amplified Hide-Away Antenna allows you to get AM/FM reception without having to use standard fender-mount or window antenna. Features active magnetic field circuitry for enhanced radio reception and 105" cable allows installation almost anywhere in your vehicle. Connects to standard antenna plug and radio's power antenna wire (if equipped) or a switched 12V positive power source. Never worry about stolen or damaged antenna again.

Retail Delivery Fee Notice

Some states are starting to pass legislation requiring us to collect a Retail Delivery Fee on shipments. Check with your state's department of revenue for more information.

For those customers living in states that require this, the extra fee will be added to each purchase that is taxable under the state code.



What You Need to Know Before Ordering:

We are excited that you've decided to make us a part of your journey! Whether you are rebuilding from the ground up or just adding some distinctive touches to your vehicle, we are proud to give you a hand.

In addition, we'd love to see what you've been up to with your projects, so please log on to lmctrucklife.com and share your stories and pictures.

Understand that we are not trained automotive technicians. We want you to consult with mechanics regarding technical advice. Technical information is also included in the workshop manuals shown in this catalog. Please take the time to consult these resources if you feel you need to.

On those occasions that we've run out of a part on your order, chances are that it's already on its way to us. These items are listed as backordered on your invoice and will be sent your way as soon as possible. If you're not interested in waiting for your backordered product, just call our customer service line at (800) 222-5664, and we will cancel it and refund any money that has been paid.

You can also write "No Backorders" on your order form before you send it to us, and we'll make sure only to ship the products we currently have in stock.

Some parts have extra charges. Please consult below to make sure you understand these charges and so you aren't surprised later.

Part Number Definitions

- T - After a part number means that part must be shipped Truck Freight. An additional \$150.00 will be charged to your order for delivery in the 48 contiguous United States. Orders outside of the 48 states will be quoted. Additional delivery time required..
- * - After the sell price means Oversize Part Charge. Your order will incur a charge of \$20.00 for each oversized part. Due to packing and/or transportation requirements, please allow additional time for delivery. Oversized Parts are not available for air delivery.
- ** - After the sell price means Oversize Part Charge. Your order will incur a charge of \$50.00 for each oversized part. Due to packing and/or transportation requirements, please allow additional time for delivery. Oversized Parts are not available for air delivery
- R - After a part number means Remanufactured Part. No core charge.

And one more thing, the part our lawyers make us say: We reserve the right to refuse service or shipment to anyone. We reserve the right to collect a service charge of \$20 for a returned check and to hold any shipments until the fee is collected.

Thank you for your support. Best of luck with all your projects!

What You Need to Know Before Returning:

If only we lived in a perfect world! Unfortunately, we don't, and things can go wrong. When that happens, we do our best to try to make things right again. But we need your help as well.

All returns must be in like new condition and in the original packaging. Please include a copy of your invoice, as that will make the process quick and easy.

We refund your payment the same way you paid. Refunds of less than \$1 will not be made except by customer request.

We can't be responsible for damages, so please package your returned items carefully.

If you can ship the item back to us ground or USPS within the 48 contiguous United States, you don't need to call for authorization. Just send it to us at:

15450 W. 108th St. Lenexa, KS 66219

If we shipped you the wrong item, send it back, and we'll send the right item and reimburse you the ground rate for your return.

We can't accept anything that has been installed (unsuccessful attempts do count), disassembled, drilled, welded, cut, painted, or modified in any way, so please make sure to check and doublecheck the fit before starting any work.

If you are returning a kit, it needs to contain all the parts you received. No partial kits may be returned.

Electronic media (CDs, DVDs) cannot be refunded once they are opened. However, if it is not working properly, it can be exchanged for the same part number.

Please call our customer service line for a return authorization if your part was delivered outside of the 48 contiguous United States.

If you want to return something you bought over a year ago, please call our customer service line for return authorization.

You must call Customer Service when returning a Truck Freight item.

Customer Service Line: (800) 222-5664

¿Habla Español? (855) 456-2288

A 20% non-refundable restocking fee will be added to anything that's over a year old (unless the extended manufacturer warranty is still in effect, of course) as well as to any unauthorized Truck Freight returns.

And the legal part again: We have the right to refuse any return we deem unfit for resale. We also have the right to refuse any shipments where the shipping charges, duties, customs, etc., are not prepaid.



California Prop 65 Warning

WARNING: This product can expose you to chemicals including lead, which is known to the State of California to cause cancer. For more information, go to www.p65warnings.ca.gov.

ADVERTENCIA: Este producto puede exponerlo a sustancias químicas, incluido el níquel reconocido por el estado de California como causante de cáncer. Para obtener más información, visite www.p65warnings.ca.gov.

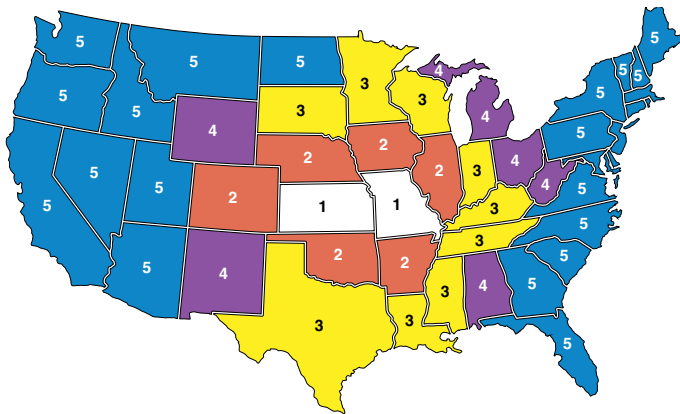
Gift Cards



- Gift Cards are the perfect gift to ensure you are giving exactly what they want!
- Gift Cards don't expire.
- Orders must be pre-paid. Orders received before 3:00 p.m. Central Time will ship same day.
- Gift Cards can now be redeemed through the mail or by phone.

What You Need to Know About Shipping within the 48 Contiguous States

Shipping charges are based on the "Parts Total" on your order.



Order Parts Total	Zone 1	Zone 2	Zone 3	Zone 4	Zone 5
Up to \$ 10.00	\$ 5.00	\$ 5.00	\$ 5.00	\$ 5.00	\$ 5.00
\$ 10.01 to 25.00	8.00	8.00	8.00	8.00	8.00
25.01 to 50.00	11.00	11.00	11.00	11.00	11.95
50.01 to 100.00	16.50	16.50	16.50	17.50	18.75
100.01 to 150.00	24.50	25.00	26.50	27.50	28.75
150.01 to 250.00	31.50	32.25	34.50	36.25	38.50
250.01 to 350.00	35.75	36.50	38.25	41.50	43.25
350.01 to 500.00	38.50	40.75	42.50	44.75	47.25
500.01 to 1,000.00	44.75	46.25	48.50	49.75	51.25
1,000.01 to 1,250.00	62.00	64.75	68.00	70.00	72.00
1,250.01 to 1,500.00	75.50	77.75	82.00	84.00	86.50
1,500.01 to 1,750.00	90.00	93.50	98.50	100.00	104.00
1,750.01 to 2,000.00	108.00	110.50	120.00	125.00	130.00
2,000.01 to 2,499.99	110.00	115.75	125.50	135.00	145.00
2,500.00 and Up	Free Shipping				

If you are ordering Oversized Parts (indicated with a * Or ** throughout this catalog), or if you are placing an extra large order, please allow for extra packing and delivery time.

In order to qualify for the free shipping, your entire \$2,500+ order must be placed at one time. We may have to split your shipment, but we will pick up the shipping charges.

Customer Service Line: (800) 222-5664
¿Habla Español? (855) 456-2288

What You Need to Know About Shipping to APO and FPO Addresses

We are thrilled to be able to ship to those who are serving our country; however, there are some limitations on these shipments. We are unable to ship Truck Freight items to you at this time. All orders will be shipped complete, via Insured Priority Mail through the USPS. Size limitations will apply. Please make sure before you place your order that what you are ordering will be accepted and is deliverable to you in your location.

What You Need to Know About Shipping to Canada

Your orders will be shipped ground "Door to Door," which includes brokerage, duty and tax. Charges will be based on the value of your shipment. Document and preparation fees are included. Please call our customer service line for assistance.

What You Need to Know About Shipping to Alaska, Hawaii and the U.S. Territories

Order Parts Total	Shipping to Alaska, Hawaii & U.S. Territories
Up to \$20.00	\$ 19.95
\$20.01 to 50.00	25.95
50.01 to 75.00	36.95
75.01 to 100.00	41.95
100.01 to 150.00	49.95
150.01 to 250.00	65.95
250.01 to 350.00	72.95
350.01 to 500.00	79.95
500.01 and Up	Quote ❖

❖ You will be contacted with charges.

We reserve the right to ship the most economical way. If you need your order shipped in a specific manner, contact customer service for a customized quote.

Customer Service Line: (800) 222-5664
¿Habla Español? (855) 456-2288

This chart shows shipping charges on orders up to \$500. Parts must be 108 inches or less and weigh 70 pounds or less to qualify. If any part does not meet these qualifications, your order will be delivered by ground for additional charges.

All orders will ship complete. Any additional delivery charges will be added to your total as needed, including Oversize Part charges or overweight charges.

We will need a daytime phone number with your order. If there is a problem with your order, we will attempt to contact you three times. If we are unsuccessful, your order will be cancelled 5 days after that third failed attempt.

What You Need to Know When Shipping Problems Occur

Please open your package(s) as soon as possible and make certain that everything is accounted for and nothing was damaged in shipment. Damaged shipments are the responsibility of the carrier and must be reported to the carrier within 15 days of receipt.

If the package looks damaged when it arrives, open it with the delivery person present, so that they can make an immediate report of damages and discrepancies. If the damage is not obvious at the time of delivery, or if the package was left for you by the shipping company, contact their customer service as soon as possible to make your claim.

On Truck Freight shipments, it is your responsibility to check your order and have the driver note any damage on the freight bill before you sign for your item(s).

Please keep all packing, packaging and contents until your claim has been settled with the shipping company.

What You Need to Know About Shipping Internationally

All international orders ship complete. Shipping charges must be prepaid in U.S. funds. Brokerage, duties, taxes, and fees associated with the order are paid by the customer. We do not accept personal checks on international orders.

Cowl Panels

1988-98 Chevy & GMC Truck



PART	ILL#	DESCRIPTION	APPLICATION	REQD	PRICE
39-7530	(1)	COWL PANEL-LH	CHEVY GMC 88-98	(1)	\$15.95
39-7532	(2)	COWL PANEL-CENTER	CHEVY GMC 88-98	(1)	\$89.95*
39-7533	(3)	COWL PANEL-RH	CHEVY GMC 88-98	(1)	\$15.95

* Or ** after the sell price means your order will incur an Oversize Part Charge for each oversized part. * Means extra charge will be \$20. ** Means extra charge will be \$50. Due to packing and/or transportation requirements, please allow additional time for delivery. Oversized Parts are not available for air delivery.

ABS Hood Insulation Kits



39-2277



39-2278



GM Official Licensed Product is purchased from an authorized GM Licensee.

Heat-resistant textured ABS Hood Insulation Kit covers up the underside of your hood and is available with or without officially licensed logo. Each kit includes pre-cut foil-backed insulation material, 14 oz. spray adhesive, 1 roll of aluminum tape, center punch, drill sleeve, mounting hardware and illustrated instructions. Drilling may be required on models not originally equipped with hood insulation. Models with underhood light will need to modify the hood insulator for reinstallation.

ABS Hood Insulation Kits Do Not Fit Cowl Induction Hoods

PART	DESCRIPTION	APPLICATION	REQD	PRICE
39-2276	ABS HOOD INSULATION KIT-PLAIN	CHEVY GMC 88-98	(1)	\$199.95
39-2277	ABS HOOD INSULATION KIT-CHEVY	CHEVY 88-98	(1)	\$279.95
39-2278	ABS HOOD INSULATION KIT-GMC	GMC 88-98	(1)	\$279.95

NEW Premium Stereo Speakers

1988-98 Chevy & GMC Truck

Premium Stereo Speakers provide the absolute best audio quality possible. Features high-power handling with an ultra-thin mounting depth, a Neodymium magnet structure is used with a dip-cut design to prevent distortion. The Santoprene® surrounds provide the most accurate audio reproduction possible, and the silk tweeters produce smooth and more natural-sounding highs.



PART	DESCRIPTION	APPLICATION	REQD	PRICE
39-8033	STEREO SPEAKER SET-4X6 50 WATT	CHEVY GMC 88-98	(1)	\$79.99

High Beam Headlight Relay Kit



36-3595



Since the four-headlight system was introduced in 1988 on GM pickups, the low beams would go off when the high beams are turned on. This kit will increase the intensity and improve the spread pattern by keeping all four lights on when in high beam mode.

PART	DESCRIPTION	APPLICATION	REQD	PRICE
36-3595	HIGH BEAM HEADLIGHT RELAY	CHEVY GMC 88-98	(1)	\$19.95
36-3593	REPLACEMENT RELAY		(1)	\$3.95

LED Parklight Set ... The Future of Automotive Lighting



37-7459



37-7368



LED parklights are a direct replacement for stock parklights and are made to factory specifications. No modifications to fit needed.

They feature LEDs for parklights and turn signals.

PART	DESCRIPTION	APPLICATION	REQD	PRICE
37-7459	LED PARKLIGHT SET CRYSTAL CLEAR	CHEVY GMC 94-98	(1)	\$149.95
37-7368	LED PARKLIGHT SET BLACK	CHEVY GMC 94-98	(1)	\$149.95

www.LMCTRUCK.com

Ordering Call
(800) 562-8782



Scan Me!

Customer Service Call
(800) 222-5664

P.O. Box 14991
Lenexa, Kansas
66285-4991



CD.83

Follow Us On



Credit or Debit Cards Accepted for:



PRSRT STD
U.S.
POSTAGE
PAID
LMC
TRUCK

GM Style Reproduction Chrome Door Mirrors



39-5874



Chrome Door Mirrors have durable mirror heads that are manufactured from high-quality Injection ABS Thermoplastic with mirror bases that are cast metal with gloss black finish. They are OE style, direct bolt-on replacements and include mounting hardware and rubber door gasket.

#39-5874 and #39-5875 were original for 1992-98 trucks and can be used on 1988-91 models.

PART	DESCRIPTION	APPLICATION	REQD	PRICE
39-5874	DOOR MIRROR-LH-CHROME	MANUAL CHEVY GMC 88-98	(1)	\$59.95
39-5875	DOOR MIRROR-RH-CHROME	MANUAL CHEVY GMC 88-98	(1)	\$59.95
39-5876	DOOR MIRROR-LH-CHROME	POWER CHEVY GMC 92-98	(1)	\$64.95
39-5877	DOOR MIRROR-RH-CHROME	POWER CHEVY GMC 92-98	(1)	\$64.95

GM Style Reproduction Manual Door Mirrors

1988-98 Chevy & GMC Truck



39-5882



39-5884
and 39-5886

Door Mirrors Include Mounting Hardware

PART	DESCRIPTION	APPLICATION	REQD	PRICE
39-5882	DOOR MIRROR-LH-BLACK	CHEVY GMC 88-98	(1)	\$32.95
39-5883	DOOR MIRROR-RH-BLACK	CHEVY GMC 88-98	(1)	\$32.95
39-5884	DOOR MIRROR-LH-CHROME	CHEVY GMC 88-98	(1)	\$36.95
39-5885	DOOR MIRROR-RH-CHROME	CHEVY GMC 88-98	(1)	\$36.95
39-5886	DOOR MIRROR-LH-STAINLESS	CHEVY GMC 88-98	(1)	\$36.95
39-5887	DOOR MIRROR-RH-STAINLESS	CHEVY GMC 88-98	(1)	\$36.95

GM Style Reproduction Door Mirrors

1988-98 Chevy & GMC Truck



39-5888



39-5890

#39-5888 and #39-5889 were original for 1992-98 trucks and can be used on 1988-91 models.

Door Mirrors Include Mounting Hardware

PART	DESCRIPTION	APPLICATION	REQD	PRICE
Manual Door Mirrors				
39-5888	DOOR MIRROR-LH-BLACK	MANUAL CHEVY GMC 88-98	(1)	\$29.95
39-5889	DOOR MIRROR-RH-BLACK	MANUAL CHEVY GMC 88-98	(1)	\$29.95
Power Door Mirrors				
39-5890	DOOR MIRROR-LH-BLACK	POWER CHEVY GMC 92-98	(1)	\$37.95
39-5891	DOOR MIRROR-RH-BLACK	POWER CHEVY GMC 92-98	(1)	\$37.95

Reproduction Sport Package Door Mirror

1988-98 Chevy & GMC Truck



39-5880

Door Mirrors Include Mounting Hardware

PART	DESCRIPTION	APPLICATION	REQD	PRICE
39-5880	DOOR MIRROR-LH-BLACK	CHEVY GMC 88-98	(1)	\$54.95
39-5881	DOOR MIRROR-RH-BLACK	CHEVY GMC 88-98	(1)	\$54.95



JOIN THE
FAMILY
 SHARE YOUR
TRUCK
JOURNEY[®]

LMCTruckLife.com



Rebuilding Has Been an Amazing and Fun Journey

Bernabe Perez and His 1989 Chevy Silverado 1500

As a boy I always dreamed of having a truck like my '89 Chevy. Growing up in the '80s and '90s was great and great things came with those years, like these trucks. I've always had love for trucks and cars, but this truck has got to be one of my favorites. It was in my teen years when the '88 and '89 Chevy trucks really caught my interest. I just love the front 4 sealed beam headlights on them. Now as an adult I have the pleasure to own one.

She came with an automatic transmission and 350 motor. To rebuild and restore her has been an amazing and fun journey. Like any car enthusiast would know, naming their vehicles is a must. She was named 'La Gata.'

I take pride having done most of the work myself. I have tried to keep her as original as possible. She still has the original motor and transmission. She was stripped down to the frame for an off-frame restoration. The frame was sandblasted and coated. La Gata was also given a new paint job with original paint codes. I did update some things, like the radio, new sound system, and gave her a 2 -1/2 inch front drop and 3 inch in the back. It has been a slow and long process, but very much worth it. It's a joy driving her!

Your Truck ... Your Story

Imctrucklife.com



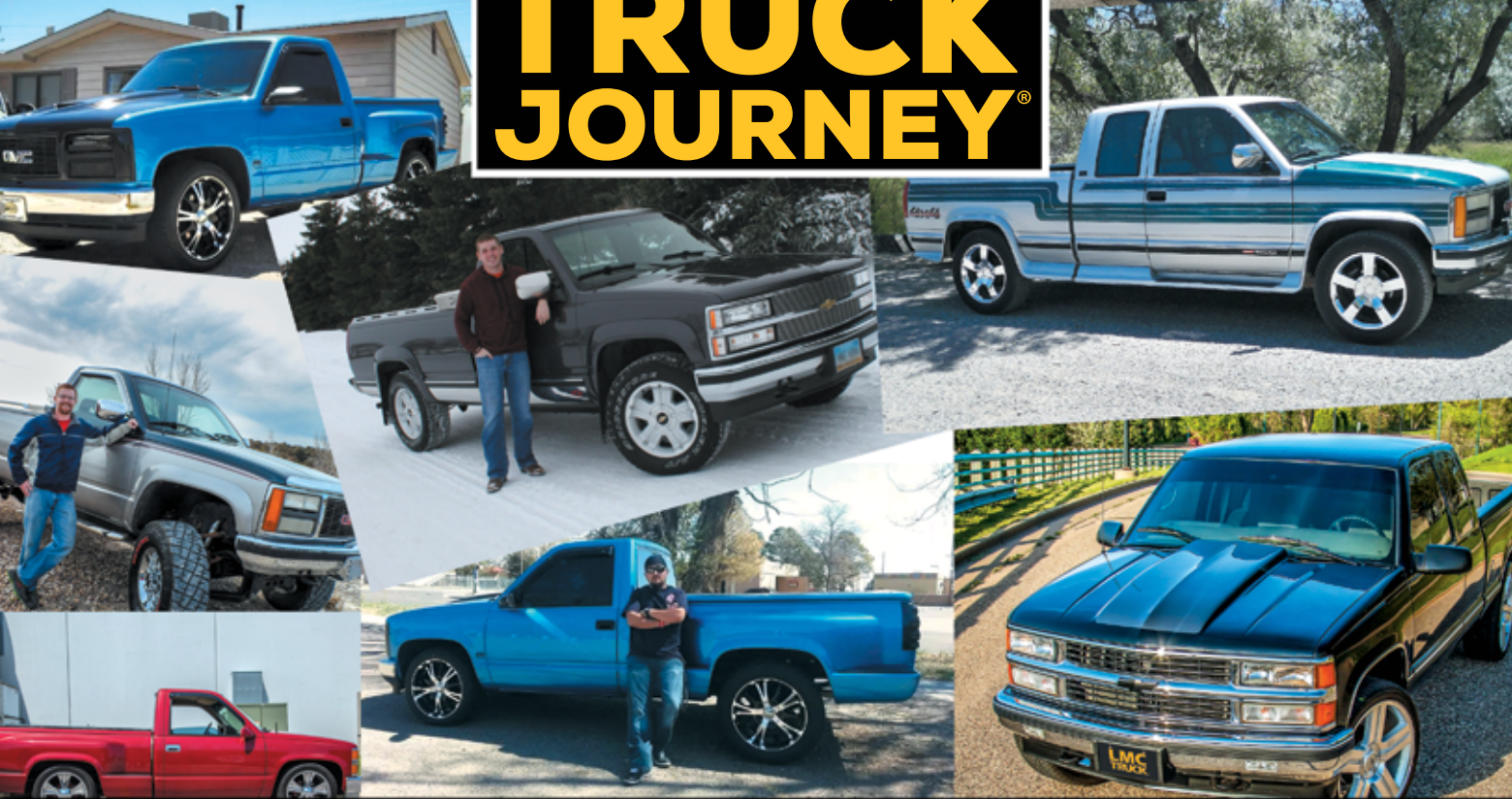
"Keeping Generations On The Road"®

SHARE YOUR
TRUCK
JOURNEY®





**SHARE YOUR
TRUCK
JOURNEY[®]**



JOIN THE FAMILY
Share your story at LMCTruckLife.com