

NIGHTFORCE®

2014 PRODUCT CATALOG V1



**THE REMARKABLE NEW 4-14x56.
WE CUT NO CORNERS.
ONLY THE PRICE.**



On our cover: The new 4-14x56 SHV™ atop a fine H.S. Precision rifle.

WELCOME! IT'S BEEN QUITE A YEAR.

Nightforce customers have always been one of our greatest sources of inspiration, and many of the features you will find in Nightforce riflescopes evolved from your feedback.

The one customer request we were never able to adequately address, though, was "can't you build a riflescope that is still one of the best in the world, but costs a little less?" For 2014 we have finally solved this conundrum with the introduction of the 4-14 x 56 SHV™ guaranteed to make quite a splash in the optics industry... and guaranteed to create a lot of happy new Nightforce fans.

You see, Nightforce has never made a *lot* of riflescopes.

Since 1992, what we've made are a few *exceptional* riflescopes, built with painstaking craftsmanship and a fanatical attention to detail.

Each is the result of years of research and development, testing, refining, and on more than one occasion, trips back to the proverbial drawing board if we found something that could be improved, easier to use, or benefit from newly discovered technology.

And often, the result of requests from our customers that at first glance may seem to be impossible. Those just take a little longer than normal.



Rockin' in New Zealand

Eric Stecker, executive vice president of Berger Bullets, used a Nightforce 5.5-22 x 56 NXS™ while testing a new bullet design in New Zealand. He took 71 feral and cull animals in four days, from 60 to 420 yards. The rugged terrain was tough on Eric and on the riflescope. "I'm not embarrassed to admit that I fell at least once each day," Eric said. "The scope found the ground and several rocks. On one, the sound of the scope bouncing off a rock was so clear and loud that I was certain that the scope was damaged.

"After making sure the glass wasn't broken I recalled how aggressively these scopes are tested and continued to hunt. My next shot was a pinwheel hit in the vitals on a goat at 220 yards. The scope performed perfectly. I was so thrilled I decided then and there that all my rifles were going to be fitted with Nightforce scopes."

Index

Welcome to Nightforce	2
New for 2014	3
How a Nightforce NXS™ is built	4
TS-82™ 20-70x Xtreme Hi-Def™ spotting scope	6
ZeroStop,® Digillum,™ Hi-Speed™ adjustments	7
4-14 x 56 SHV™ riflescope	8
Compact NXS™ riflescopes	10
3.5-15x NXS™ riflescope	12
5.5-22x NXS™ riflescopes	14
8-32x NXS™ riflescopes	15
5-25 x 56 ATACR™ riflescopes	16
3.5-15x 50 F1 NXS™ riflescope	18
MOAR™ and MIL-R™ reticles	19
The B.E.A.S.T.™ 5-25 x 56 F1 riflescope	20
15-55 x 52 Competition™ riflescopes	24
Precision Benchrest riflescopes	26
Velocity™ Reticle Calculator	28
Velocity™ reticles	29
A salute to our men and women in uniform	30
Nightforce reticles	32
Specifications	36
Accessories	38
Part numbers/reference	42
The people of Nightforce	46
Contact us	Back cover

All trademarks, graphics and designs herein are the property of Nightforce Optics, Inc. Product specifications are subject to change without notice. Products may differ in appearance from those shown here. Visit www.NightforceOptics.com for current information, tutorials, and video. ©Nightforce Optics, Inc. 2014

What do the icons mean?

Throughout our catalog you'll see various icons associated with our riflescopes. These will give you a quick visual reference as to the most appropriate applications for a given riflescope design. While most of our riflescopes do double or triple duty, performing equally well in tactical environments, at the range, in competition and in the hands of the hunter, some are especially appropriate for specific disciplines.



Target shooting, competitive shooting, extreme long range



Varmint and predator shooting



General shooting



Tactical and law enforcement



Big game hunting



CQB environments and 3 Gun competition



Dangerous game hunting

Show & tell at Nightforce Nightforce employees show off their firearms. It's a pretty safe bet on what riflescopes they prefer.



THERE'S A LOT THAT'S NEW AT NIGHTFORCE.

We are excited to announce several new products for 2014.

Throughout our catalog you will see pages and images trimmed in red, to highlight hot new items for 2014. There are clever new accessories. New technology added to some of our old standbys. And some radical new products that promise to redefine "value."

Take a look. We think you'll be just as excited as we are.



The 4-14 x 56 SHV™:
The most affordable, versatile Nightforce ever!

Built for shooters. Built for hunters. Built for varminters. Built for almost everyone.

PAGE 28

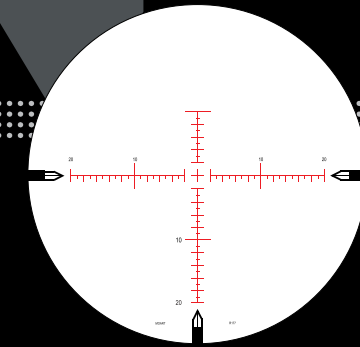


Clamp-on PTL™
Our remarkably convenient Power Throw Lever fits Nightforce NXS™ 15x, 22x, 32x and 42x riflescopes, allowing instant magnification changes, even while wearing gloves.



Strictly on the level.
New bubble levels and ADI mounts for our 34mm four- and six-screw rings

PAGE 41



The new fine-line MOAR-T™ reticle.
For the ultimate in precision, both up close and at extreme distances.

PAGE 32



The ultimate target riflescope, now even better.

Four new reticles, and ZeroStop™ standard!

PAGE 24



Accessorize your spotting scope.
New, cool accessories for our TS-82™ Xtreme Hi-Def™ Spotting Scope.

PAGE 6

YOU CANNOT BUY A HIGHER QUALITY RIFLESCOPE.

Those are strong words.

But, they are words we can prove. And our customers do prove it. . . every day, under some of the harshest, most unforgiving conditions on earth.

We didn't start building scopes and expect people to find uses for them. Instead, we looked at real-world needs. . . needs that were not being met by other optics manufacturers. Created from the ground up, Nightforce designed the ultimate precision instrument for the intended application.

You can tell the difference the moment you pick one up. If you could look inside a Nightforce scope, the differences would be even more obvious.

Fortunately, looking through one will tell you everything you need to know.



McMillan Firearms EOL



All air-to-glass surfaces receive our proprietary broadband multi-coating; applied to tolerances of 1/4 wave deposition or .000005 inches, exceeding the toughest Mil-Spec abrasion test. You will see the difference in low-light situations.

A scope's objective lens determines resolution, light transmission and exit pupil size. To maximize these attributes, every Nightforce objective lens assembly utilizes a multi-element design like those found in the highest quality telescopes. Our lens system focuses light rays more precisely for exceptional image clarity and color accuracy.

Every lens in a Nightforce rifle scope incorporates an optical prescription specifically engineered for maximum performance in a given product design. This is one of the reasons Nightforce riflescopes produce such outstanding resolution, contrast and image clarity—all of which determine how well you see your target.

Sand, dust, mud, heat and cold are a few of the environmental challenges every Nightforce rifle scope faces in its development. Every aspect is thoroughly tested, proven, and tested again before we build a final product. Anything you can inflict upon a scope, you can be certain we've already done it first.

Nightforce NXS™ tubes are machined from solid bar stock 6061-T6 aircraft-grade aluminum alloy, not extruded or formed like those found on lesser scopes. They are two to three times thicker than other riflescopes. This means less overall stress, greater thermal stability, a consistent zero and a virtually impervious shield for the precision optics within.

The terms "rugged" and "precision optics" are usually not compatible. Any optical instrument built to highly exacting tolerances and absolute alignment is by its very nature a delicate device.

Not so with Nightforce. The design of our scopes is unique within the industry, allowing us to combine optics of extraordinary precision with construction that will withstand repeated recoil from the largest calibers, extreme shock and severe temperature changes.



We machine the screw that controls elevation adjustments to an unbelievable 110 threads per inch. It is so precise that it must be mated to its receiver by hand. Why go to so much trouble? Because we consider backlash clearance of more than 1/30 the thickness of a human hair unacceptable.



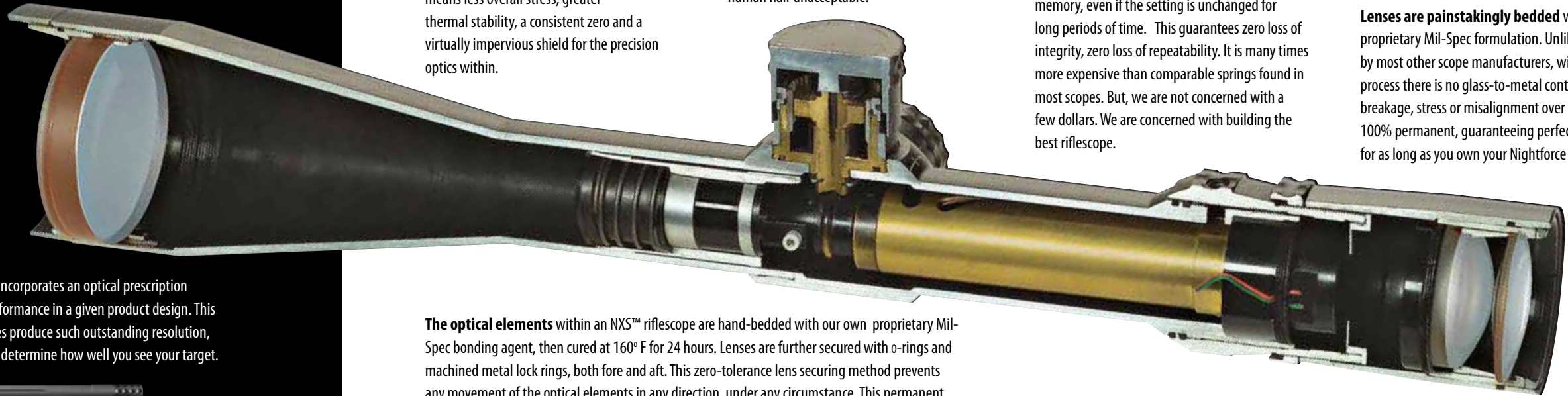
The spring that maintains pressure on our elevation and windage adjustments spends two weeks in a polishing tumbler before going into a Nightforce rifle scope, to assure there are no rough spots or burrs to interfere with perfectly smooth operation. The NXS™ titanium spring has been optimized for a lifetime of performance, designed to never reach its fatigue limit or establish a memory, even if the setting is unchanged for long periods of time. This guarantees zero loss of integrity, zero loss of repeatability. It is many times more expensive than comparable springs found in most scopes. But, we are not concerned with a few dollars. We are concerned with building the best rifle scope.



A hand-signed Quality Assurance label means your Nightforce has been thoroughly tested and approved before it reaches your hands.

Adjustments are made with hardened silicon bronze to ensure a lifetime of wear resistance and reliable performance. This is not the easiest way to build a rifle scope. . . providing a lifetime of repeatable accuracy.

Lenses are painstakingly bedded with our own proprietary Mil-Spec formulation. Unlike methods used by most other scope manufacturers, with our bedding process there is no glass-to-metal contact that can result in breakage, stress or misalignment over time. Our process is 100% permanent, guaranteeing perfect optical alignment for as long as you own your Nightforce rifle scope.



Cutaway illustrates features of NXS models.

Detailed information and tutorials on Nightforce products can be found at www.nightforceoptics.com.

WHAT SOME COMPANIES CALL CLOSE TOLERANCES, WE CALL INTOLERABLE.

THE INCREDIBLE NEW NIGHTFORCE TS-82™ XTREME HI-DEF™ 20-70x SPOTTING SCOPE. FINALLY, A SPOTTING SCOPE THAT CAN KEEP UP WITH OUR RIFLESCOPES.



Quick-release bayonet mount allows quick, secure changing of eyepieces and interchanging of accessories. An optional wide angle 30-60x eyepiece is also available. Both straight and angled configurations are offered.

Attach your iPhone™ 4 or 5 and take remarkable high resolution photos of wildlife, birds or any faraway object. It makes the TS-82™ a tool you and your family can enjoy year-round.

Aluminum body provides ruggedness and thermal stability. The TS-82™ is thoroughly shock tested and waterproof.

Large center focus ring is highly precise, comfortable to use and extremely fast, even while wearing gloves.

Vivid, high contrast images are the norm, even at the highest magnifications. The TS-82™ produces crisp, razor-sharp resolution with no distortion from edge to edge.

Proprietary Nightforce coatings result in superb contrast and brightness, just like our riflescopes. There are none better. We've also added a hydrophobic coating which immediately sheds water without leaving residue. It also repels fingerprints and smudges, keeping your images crisp and clean.



Our customers asked, "when are you going to make a spotting scope that's as good as your riflescopes?" The answer is, right now.

We guarantee that the TS-82™ will not only meet—but exceed—the quality, resolution, brilliance and fidelity of the world's most well-known, most highly respected European spotting scopes.



The optional 30-60x wide angle eyepiece is ideal for spotting moving game and looking over a wide swath of landscape.

APO fluorite glass is costly and difficult to work with. But, there is no other glass that provides truer, more brilliant color. You won't find it except in the most advanced optics.

82mm objective lens provides exceptional low-light performance.

Internal prism design provides maximum light transmission, as opposed to mirrors which absorb critical light rays. It is also easy on the eye, which greatly reduces fatigue and extends viewing time.

The TS-82™ is offered with straight or angled eyepieces. Rotating tripod mount is standard. Appearance and specifications are subject to change.



Bob Beck of Extreme Outer Limits finds the TS-82™ allows him to push the limits even further.



Objective lens	82mm
Magnification	20-70x (opt. 30-60x)
Field of view	123'/20x 48.7'/70x
Exit pupil	4.1mm/20x 1.17mm/70x
Dioptric correction	± 5 D
Eye relief	18mm
Focus	4.59 yards–infinity
Length with eyepiece	16.5" (s) 15.9" (a)
Weight with eyepiece	63 oz. (approx.)



AN INSTANT RETURN TO ZERO. EVERY TIME.

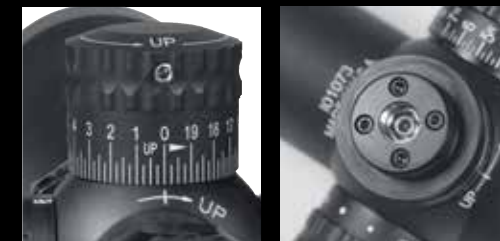
It's an old problem. Make a radical adjustment to your scope's elevation settings, perhaps even through two turns of the knob, and returning to your zero setting can be almost impossible... especially under stressful situations or in bad lighting.

Other manufacturers have tried various means to solve this problem, with less than satisfactory results.

The Nightforce ZeroStop™ is the solution. A solution so good, so simple and so effective, it is patented.

After sighting in your rifle, simply set the ZeroStop™, and you create a positive mechanical stopping point at your chosen zero point. Then, no matter how many elevation adjustments you make, turning the elevation knob down to the ZeroStop™ setting returns you to your original zero, completely by feel—even in total darkness or while wearing gloves. No counting clicks, no need for visual reference, no wasted effort. Just an instant return to zero. Every time.

ZeroStop™ is optional on 1-4, 2.5-10, 3.5-15, 5.5-22 and 8-32 NXS™ riflescopes; standard on the F1, B.E.A.S.T.™, Competition™ and the 5-25 x 56 ATACR™. Available in .250 MOA and .1 Mil-Radian adjustments (depending on model). Visit NightforceOptics.com for video instruction on setting your ZeroStop™.



Setting ZeroStop™ takes only a minute or two and an Allen wrench (which we provide). The elevation adjustment cap removes with two set screws.



Loosen four Allen head screws (may differ by model) on the clutch assembly, snug the upper clutch face against the lower clutch face, retighten the screws and reinstall the cap. You're done.



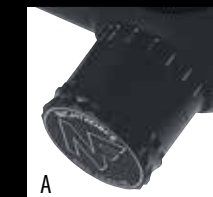
INSTANT AND PRECISE RETICLE ILLUMINATION.

The introduction of Digillum™ digital illumination in our B.E.A.S.T.™ 5-25 x 56 F1 and 2.5-10 x 42 NXS™ Compact has established new standards of convenience and repeatability.



Choose the appropriate illumination setting for your lighting conditions—either red or green, in multiple intensities from very dim to extremely bright. Night-vision compatible settings are also included. You can then turn off illumination to

save your battery. When you turn it back on, it defaults to your previously chosen setting, ensuring your night vision will not be adversely affected and that you're instantly ready for a shot.



Analog illumination and parallax adjustment

Analog reticle illumination remains standard on our NXS™ and ATACR™ riflescopes. Parallax adjustment and reticle illumination controls on NXS™, and ATACR™ models (A) are located on the left side of the rifle scope. On adjustable-parallax models, pulling out the adjustment knob activates reticle illumination, while turning the adjustment alone adjusts parallax.



NXS™ 1-4x and 2.5-10 x 32 Compact models (B) have fixed parallax, with the left side adjustment controlling illumination only.



The 4-14 x 56 SHV™ parallax adjustment and illumination controls (C) are also located together on the left side of the rifle scope. Illumination is activated by turning the illumination dial.



WE KNOW THE NEED FOR SPEED.



All full-size NXS riflescopes now come standard with Nightforce Hi-Speed™ Adjustments (left, above)—twice as fast as less precisely machined, coarser adjustments. Most NXS™ models are also available with optional Hi-Speed™ Adjustments with ZeroStop™ (right, above).

Depending upon the configuration, our adjustments provide:

- .250 MOA adjustments, 20 MOA per revolution
- .125 MOA adjustments, 10 MOA per revolution
- .1 Mil-Radian adjustments, 10 Mil-Radian per revolution



The rifle scope, Nightforce. The view, priceless.

Sean French uses a Nightforce rifle scope to seek out mule deer in the incredibly beautiful Ashnola Valley wilderness of British Columbia.

INTRODUCING THE REMARKABLE, AFFORDABLE, ALL-NEW 4-14 x 56 SHV™.
IT'S EVERYTHING YOU EXPECT FROM NIGHTFORCE.

AND LESS.
OVER 25% LESS THAN OUR LOWEST-PRICED NXS™ MODEL.



THE ONLY COMPROMISE IS IN THE PRICE.

About the only complaint we hear about our riflescopes is that they aren't cheap. Nightforce riflescopes will never be "cheap." The quality of materials, the precise tolerances, the skilled workmanship, and the need to withstand a lifetime of recoil make it physically impossible to build a world-class riflescope that is "cheap."

But, we thought, perhaps we could make one a little more affordable.

One of the most difficult challenges we've ever faced was building a riflescope that is worthy of the Nightforce name in every regard—yet within the reach of a wider range of hunters and shooters who don't need the "overbuilt" characteristics of our NXS™ series, most of which were originally created to withstand actual combat conditions.

It wasn't easy. But we did it, by limiting some options, offering simpler controls, and using a less complex manufacturing process... not by reducing the quality of its components.

Welcome to the Nightforce 4-14 x 56 SHV™. We are confident it will outperform any riflescope in its price range. And frankly, many that cost much, much more.

All we cut were costs. Not corners.



Available with illuminated or non-illuminated reticles. Illuminated models have 11 brightness settings, from off to very bright. Illumination turns off between each setting. This lets you preset the optimum brightness level for your lighting conditions, turn off illumination with a slight rotation of the dial to save battery power, and instantly restore your selected setting when ready to shoot.



56mm objective lens for maximum light transmission

Fully enclosed, capped, waterproof adjustments with .250 MOA click values

Elevation and windage adjustments are finger-adjustable; no coins or tools necessary. Indicator can be easily reset to "0" once you've established your zero.

30mm tube, 100 MOA total elevation travel, 70 MOA windage

Illuminated and non-illuminated reticles available

4x to 14x variable magnification, applicable to widest possible range of field environments

Side parallax control, adjustable from 25 yards to infinity without moving from shooter-ready position

Parallax settings are marked in yards. While field conditions can cause variations in exact yardage, the SHV's™ markings will get you closer, quicker, to the crispest, clearest image possible.

Fast-focus European-style eyepiece

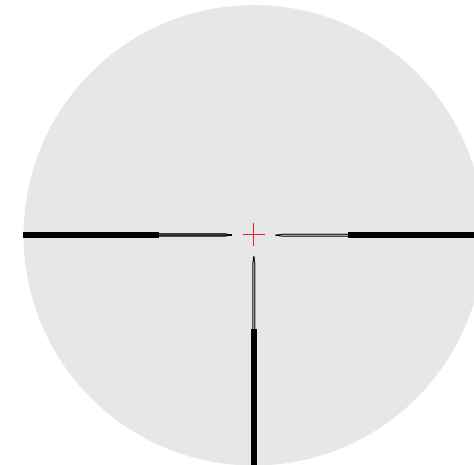
4-14 x 56 SHV™

It's Nightforce through and through.

Some riflescope companies introduce a lower-priced model and try to persuade customers that it's the "real thing," when in reality the only similarity to their top-of-the-line products is the name on the side. Not with the SHV™. It is 100% Nightforce, built to proprietary Nightforce performance standards, as is every riflescope we make.

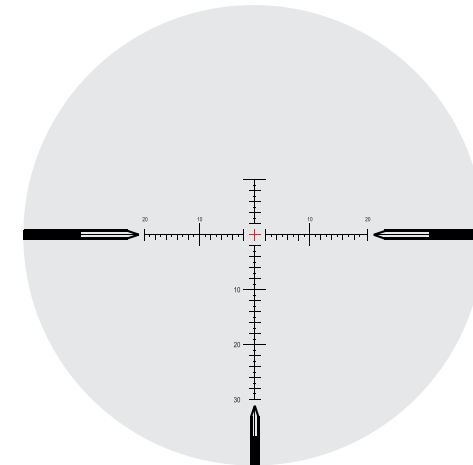
Unmatched versatility.

We set out to give the avid shooter a riflescope that will excel in as many situations as possible... from the enjoyment of target shooting to all-around hunting to fast-paced varmint shooting. That's why it's called SHV™—ShooterHunterVarminter™. The SHV™ also provides a reliable, affordable, multi-situation solution for law enforcement personnel.



IHR™

Our International Hunting Reticle is uncluttered and ideal for an exceptionally wide range of game and field conditions. Floating center crosshair (illuminated on illuminated models) will not obscure small targets at long ranges, while the heavier posts at 3, 6 and 9 o'clock positions aid in fast target acquisition.



MOAR™

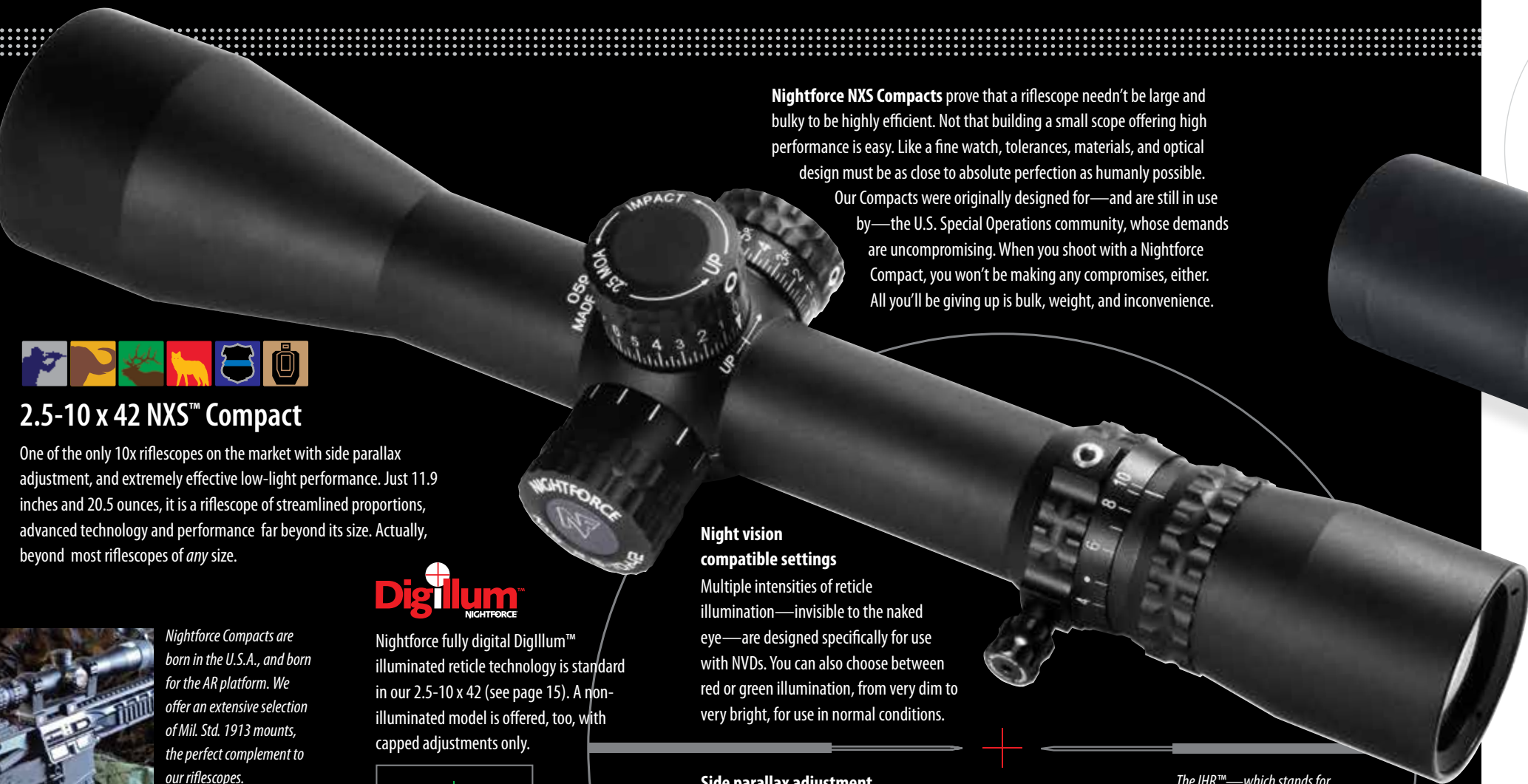
One of the most popular, most versatile reticles we've ever created, specially modified for the SHV™ with only the floating center crosshair illuminated (on illuminated models). 1 MOA elevation and windage markings allow accurate rangefinding and hold-offs at long ranges. The floating center crosshair provides outstanding precision on smaller targets.

On illuminated SHV™ riflescopes, the floating center crosshairs of both the IHR™ and MOAR™ are adjustable in 11 increments from off to bright. They will not produce the flare common to many "smart" reticles.

Product specifications are subject to change without prior written notice. Products may differ in appearance from those pictured.

NIGHTFORCE COMPACTS: PROOF THAT SIZE IS NO SUBSTITUTE FOR QUALITY.

Adjustment options, L to R:
A) Hi-Speed™ .250 MOA exposed adjustment with ZeroStop
B) .1 Mil-Radian exposed adjustment with ZeroStop
C) Hi-Speed™ Capped enclosed adjustments (.250 MOA only)

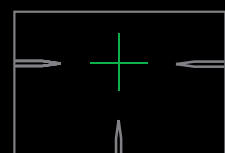


2.5-10 x 42 NXS™ Compact

One of the only 10x riflescopes on the market with side parallax adjustment, and extremely effective low-light performance. Just 11.9 inches and 20.5 ounces, it is a riflescope of streamlined proportions, advanced technology and performance far beyond its size. Actually, beyond most riflescopes of any size.



Nightforce fully digital Digillum™ illuminated reticle technology is standard in our 2.5-10 x 42 (see page 15). A non-illuminated model is offered, too, with capped adjustments only.



Digillum™ provides both green and red illumination options, as well as settings compatible with night vision devices.

Nightforce NXS Compacts prove that a riflescope needn't be large and bulky to be highly efficient. Not that building a small scope offering high performance is easy. Like a fine watch, tolerances, materials, and optical design must be as close to absolute perfection as humanly possible.

Our Compacts were originally designed for—and are still in use by—the U.S. Special Operations community, whose demands are uncompromising. When you shoot with a Nightforce Compact, you won't be making any compromises, either. All you'll be giving up is bulk, weight, and inconvenience.

Night vision compatible settings

Multiple intensities of reticle illumination—invisible to the naked eye—are designed specifically for use with NVDs. You can also choose between red or green illumination, from very dim to very bright, for use in normal conditions.

Side parallax adjustment

The 2.5-10 x 42 is one of the *only* 10x riflescopes on the market with adjustable parallax—from 25 yards to infinity.

The IHR™—which stands for International Hunting Reticle—is one of several unique Nightforce reticles offered in our NXS™ Compacts.

Our FC-3G™ reticle gives extended-range capability to the 1-4 x 24.



2.5-10 x 32 NXS™ Compact

The 2.5-10 x 32 NXS™ has proven extremely popular with hunters, law enforcement officers, our armed forces, and tactical/field shooters. At just 12 inches in length, it represents the optimum in size-to-weight performance. Despite its compact size, the 2.5-10 x 32 NXS™ has a large exit pupil allowing fast target acquisition and it is forgiving of eye position. If you're tired of massive, heavy riflescopes, yet still insist upon outstanding performance, the 2.5-10 x 32 NXS™ is ideal. It is particularly well-suited to the AR platform and to smaller rifles.

Night vision settings, designed for use with night vision equipment, are standard on Nightforce NXS™ Compacts. The analog illumination on our 1-4 x 24 and 2.5-10 x 32 models, shown at left, allow you to select one of two extremely low intensity settings—directly from the “off” position—with no risk of ruining your night vision. The full range of normal illumination settings is also available, from very low to extremely bright).



1-4 x 24 NXS™ Compact

Whether it's securing a perimeter or taking down an angry Cape buffalo at 10 yards, there is no better scope on the market to keep the odds in your favor. For the hunter, having the option of one power—zero magnification—makes our 1-4 x 24 NXS™ the only true substitute for open sights on a dangerous game rifle. For the military/LE professional, it can be a lifesaver in CQB situations (especially with our FC-3G™ reticle). It is a top choice for three-gun competitive shooting, as well. The shortest 1-4x on the market today, it is a riflescope that can literally save your life.



Power Throw Lever (PTL™)

Instant magnification changes in a fraction of a second, even if you're wearing gloves. Your riflescope arrives with a flush insert, which you can easily replace with the threaded PTL™ knob. Like so many Nightforce features, the PTL™ is included on our Compacts at no extra cost.

Officer Jeremy Tangarone of the West Hartford Police Department competes at the Connecticut SWAT Challenge with a Nightforce 3.5-15x. The West Hartford department was instrumental in organizing the first SWAT Challenge in 2005, which has grown into a major annual event, drawing dozens of SWAT teams from throughout the nation.



3.5-15 x 50 Hi-Speed adjustments, L to R:
 A) .250 MOA with ZeroStop
 B) .250 MOA
 C) .1 Mil-Radian with ZeroStop



Available with
ZeroStop
 NIGHTFORCE

Our 3.5-15 x 50 is also offered as the F1 with a reticle in the first focal plane. See page 18 for more information.



3.5-15 x 50 NXS™

Originally developed for use on military small arms, the 3.5-15 x 50 NXS allows for a lower mounting profile. The practical magnification range, 110 MOA of internal adjustment and large field of view make it an invaluable tool for professionals and serious hunters as well. These attributes make the 3.5-15 x 50 NXS one of our most versatile riflescopes for both snipers and sportsmen, applicable to an extremely wide variety of applications and environments.



"Thanks to Nightforce for a great product used by my 16-year-old son Evan on his first big game hunt. [He] used a Nightforce 3.5-15 x 50 NXS with MLR reticle to take this beautiful high-scoring antelope from 307 yards with one shot. Unlike other hunters on the same trip, Evan did not miss. Nightforce provided the optical excellence and gave him the confidence to take game under long-range field conditions typical of hunts in the Western states. The optical resolution, clarity and colors seen through the NXS were amazing!"
 —Mark Darty

KMW-Long Range Solutions

The 3.5-15 x 50 NXS adapts comfortably to a number of different platforms, including tactical, AR-style and hunting rifles. It provides excellent versatility from close to extended ranges. Nightforce mounts (page 38) assure the strongest, most reliable mating of riflescope to rifle possible.

THERE IS NO TOUGHER RIFLESCOPE ON THE MARKET. PERIOD.

Our NXS™, ATACR™ and B.E.A.S.T.™ riflescopes are subjected to abuse during product development that would quickly destroy lesser optics. Pre-production riflescopes are tested in a pressure tank simulating 100 feet of water for 24 hours, ensuring absolute waterproof integrity. We test thermal stability by freezing them to -80° F, then heating them to 200° F within a one-hour period. Function is checked at both temperature extremes. Recoil and impact testing for positive and negative forces is conducted at 1,250 Gs.

Before it is shipped to a customer, every NXS™, ATACR™ and B.E.A.S.T.™ riflescope is completely inspected and checked at up to 130 different points. We perform a battery of tests, including impact, tracking accuracy and resolution integrity. These are but a few of the steps we take to ensure absolute quality before any NXS™, ATACR™ or B.E.A.S.T.™ riflescope leaves our facility. Whatever you think you might do to your riflescope, chances are we've already done it.



Nightforce NXS™, ATACR™ and B.E.A.S.T.™ riflescopes are built like tanks... literally. The Mil-Spec bonding agents we use to secure our lenses are virtually the same as used in the aiming system of an M-1 Abrams tank.

John Buhay, vice president of U.S. Armament Corp, with his Vulcan.



* We are saddened to announce that Dr. Lomont has passed away. He was a fine man, and did many great things to benefit the shooting sports. He will be missed.

There hasn't been a rifle built Nightforce can't handle.

"I put 12,500 shots through two .50 BMGs," said Kent A. Lomont* about his Nightforce riflescope. "I fired another 4000 shots with it on an AR10. Then, I mounted it on a 14.5/114mm Russian (570 gr. of powder propelling a 1000 grain bullet at 3300 fps) and fired 970 rounds. Most scopes break within one to ten shots on the Russian... not the Nightforce. Nightforce is the best I have ever used."

If that's not impressive enough, consider John Buhay's 20mm Vulcan. It propels a 1757 grain bullet at 2720 fps, generating an unbelievable 30,000 ft. lbs. of muzzle energy... over twice that of the average .50 caliber. "I've fired over 4000 rounds through it," said John, "and my Nightforce performs as flawlessly as day one. Even with countless elevation adjustments... my Nightforce always returns to zero."

All cartridges shown actual size.



3.5-15 X 50 NXS™



5.5-22 x 50/56 Hi-Speed adjustments, L to R:
 A) .250 MOA with ZeroStop
 B) .250 MOA
 C) .1 Mil-Radian with ZeroStop



5.5-22 x 50 NXS™

Originally developed for the U.S. military's extreme long range shooting and hard target interdiction, both 5.5-22 Nightforce NXS™ models provide a broad magnification range, four inches of eye relief and 100 MOA of elevation travel. Combined with their extreme ruggedness and reliability, it makes them ideal for even the largest calibers. The slim profile is adaptable to a wide range of mounting systems. Its superb resolution at high magnification opens a new world of extended range shooting for the accomplished marksman; Nightforce shooters are now accurately reaching to 2000 yards and beyond.



5.5-22 x 56 NXS™

Our most proven long-range riflescope. Its 56mm objective lens provides maximum clarity and resolution across the entire magnification range. The wide magnification factor of our 5.5-22 series allows precision accuracy at the longest ranges, yet at 5.5 power remains highly effective for shots at close ranges. Nightforce was the first company committed to perfecting extreme magnification variable power scopes. Our years of experience perfecting long-range optics is evident in every scope we build.

Every year, Mark Cochran sends us a photo from the rugged Idaho wilderness documenting his elk hunting prowess. This bull was taken with Mark's Nightforce 5.5-22 x 50 NXS™.



8-32 x 56 Hi-Speed Adjustments, L to R:
 A) .250 MOA with ZeroStop
 B) .250 MOA
 C) .125 MOA
 D) .1 Mil-Radian with ZeroStop



8-32 x 56 NXS™

Since 1992, Nightforce has been a winner in countless benchrest competitions. We have taken that knowledge and success and combined it with the durability and features of our NXS™ line to create one of our most versatile all-around riflescopes. The 8-32 x 56 combines high magnification with maximum elevation travel, providing the best of all worlds to the shooter. It is the perfect choice for precise and repeatable engagement of targets at extreme ranges under extreme conditions.



DOES YOUR RIFLE MEASURE UP TO OUR RIFLESCOPE?

It might come as a shock to the shooter who has just invested a small fortune in a fine rifle, but the fact is that a Nightforce riflescope is built to tolerances vastly more precise than those found in the best rifles money can buy.

Why? Because even the slightest error in a riflescope's construction will be magnified dramatically as range and power settings increase; and evident in a constantly shifting zero and frustrating lack of repeatability.

Quite simply, to achieve the absolute maximum accuracy from your rifle, your scope must be as close to perfect as possible.

Less precise riflescopes can—and will—fail to match the potential of a well-made firearm. With Nightforce, whatever your rifle is capable of, your riflescope will stay a step ahead.

Darrell Buell (fourth from left, top row) once again captained the U.S. FT/R team to victory at the 2013 F-Class World Championships in Raton, New Mexico. Nightforce riflescopes and TS-82™ spotting scopes helped secure the win for the home team.



SSG Ty Cooper of the ASAMU Service Rifle Team, 2012 Interservice Long Range Champion, with his Nightforce 8-32 x 56 NXS™ riflescope.



5.5-22 x 56 NXS™

ATACR™

ADVANCED TACTICAL RIFLESCOPE

YOU MIGHT HAVE TO START RANGING BY ZIP CODE.



5-25 x 56 ATACR™

What's in a name? In this case, everything. Our all-new ATACR™—Advanced Tactical Rifle Scope—builds upon the long and successful history of our NXS™ series. The result is a rifle scope of unprecedented long-range capability and image quality.

The 34mm tube allows 120 MOA/34.9 MILs of elevation adjustment—20% more than our most capable NXS™. Fully multi-coated ED glass results in light transmission values of over 90%, brilliant images and exceptional color contrast. A magnification range of 5x to 25x, and a wider field of view as a result of its unique optical prescription will cover virtually any situation a shooter could encounter.

All this power comes in a compact package, too, measuring just 14.3" in length. Our patented ZeroStop® is standard, and the ATACR™ is offered with two of our most sophisticated reticles, leaving nothing to chance.

The ATACR™ redefines the "long" in long range for serious shooters and hunters, pushing the envelope of precision... and possibility.



NEMO Watchman .300 Win Mag



The ATACR™ includes ZeroStop® Hi-Speed™ adjustments, available in .250 MOA (shown) or .1 Mil-Radian configurations.



Riflescopes built on 34mm tubes demand mounts of uncompromising quality for ultimate reliability and performance. Nightforce builds an extensive line of accessories expressly for 34mm riflescopes, including our Ultralite™ rings in both four- and six-screw designs, and our Ultralite™ Unimount™ and MagMount™. Our combination of 7075-T6 anodized aluminum and titanium beta series crossbolts and jaws provide strength far beyond that normally found in lightweight rings. They give you the performance of steel at half the weight.



The ATACR™ provides a handsome and supremely functional complement to Kimber's all-new Advanced Tactical II rifle in .300 Win. Mag.

Multicoated ED glass helps achieve light transmission values of over 90%, brilliant images and excellent contrast

34mm tube allows 120 MOA/34.9 MILs of elevation adjustment

Hi-Speed ZeroStop® adjustments standard

5-25x magnification range, providing 13% more power than our 22x NXS™ model

17.96 feet field of view @ 5x/100 yards, 4.92 feet @ 25x/100 yards

"LONG" RANGE JUST GOT A LOT LONGER.

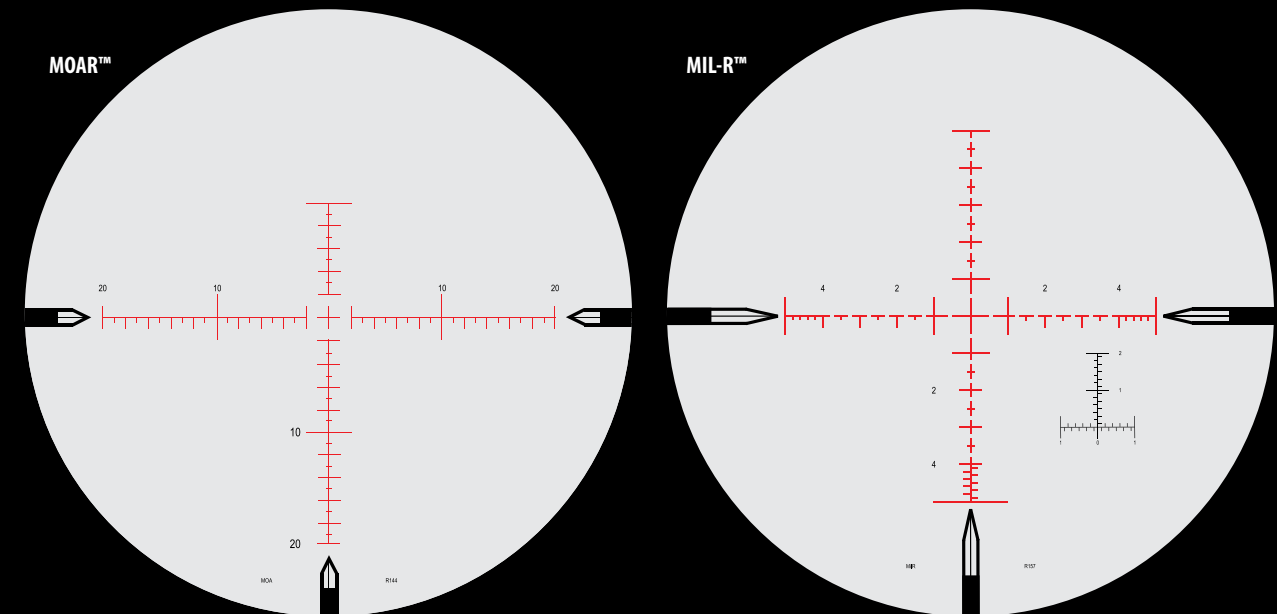
The ATACR™ was created to exceed—not just meet—the potential of the newest super-magnum calibers and projectiles having extremely high ballistic coefficients. While some riflescopes impose limits, the ATACR™ removes them. It is a rifle scope in a class of its own.

Two of the most advanced reticles ever created are offered in the ATACR™ in second focal plane configurations. Illumination is standard.

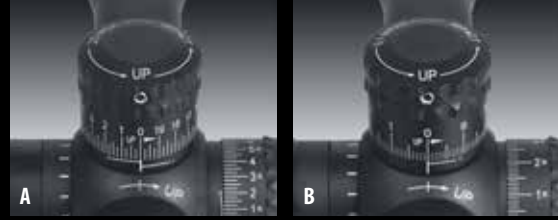
The MOAR™ is an MOA-based reticle that is highly intuitive, easy to see in low light and provides

extremely accurate rangefinding and hold-offs (see page 19).

The MIL-R™ achieves new levels of speed and precision in a Mil-Radian reticle supported by whole, half, .2 and .1 Mil-Radian increments (see page 19).



F1 Hi-Speed adjustments, L to R:
 A) .250 MOA with ZeroStop
 B) .1 Mil-Radian with ZeroStop



"Mounted the F1... fired one shot, hit just off center. Read the reticle, second shot in black... back to 500 yards, dialed scope to 3.2 Mils... five rounds, perfect. The scopes are flawless. I really like them in this configuration."
 —Frank Galli, Sniper's Hide, LLC.



THE NIGHTFORCE 3.5-15 x 50 F1. FIRST FOCAL PLANE. FIRST IN SPEED AND ACCURACY.

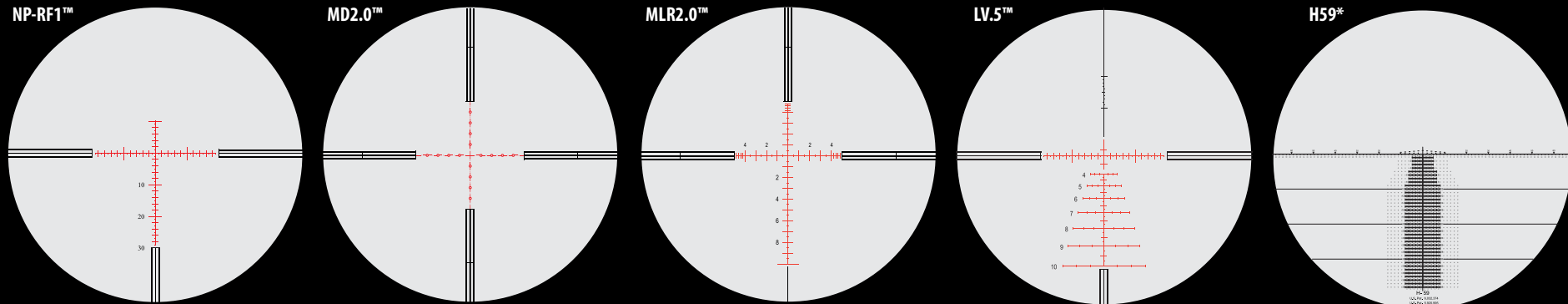


If you are seeking a riflescope that is exceptionally fast in engaging a wide range of targets from near to far, and that maximizes the advantages of a first focal plane reticle location, the 3.5-15 x 50 F1 NXS™ is the answer.

A first focal plane reticle remains in the same visual proportion to the target across the scope's entire magnification range, making it especially appropriate with rangefinding reticles. It has distinct advantages in high-stress situations and when encountering different targets at multiple ranges. Combined with Nightforce's highly tactile and intuitive adjustments, it makes for a scope that is extremely quick, accurate, responsive and utterly reliable.

Nightforce ZeroStop™ adjustments are standard in the F1. In addition, a set of A101 Nightforce Ultralite™ rings is included. Visit www.nightforceoptics.com for complete details.

Several reticles are offered exclusively in the F1, each designed to maximize effectiveness of the first focal plane reticle. Reticles are shown as they appear at 15x power setting in the NXS 3.5-15 x 50 F1 (H59 at 3.5x).



*The H59 for the 3.5-15 x 50 F1 NXS™ is non-illuminated. The H59 is a product of Horus Vision, LLC. All trademarks and copyrights apply.

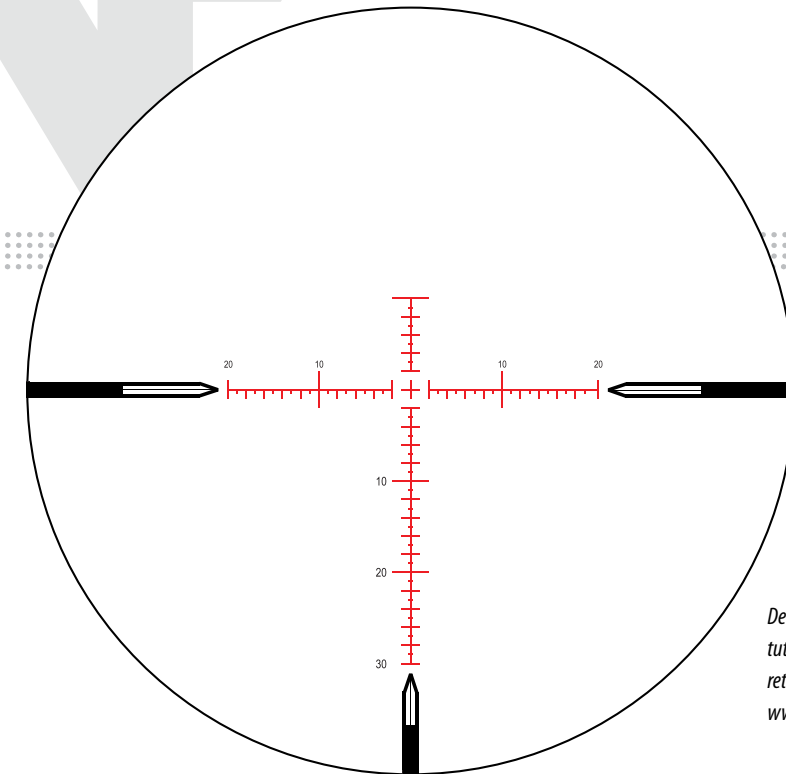
MORE PRECISE. MORE INTUITIVE. MORE VISIBLE. OUR MOAR™ RETICLE.

The Nightforce MOAR™ reticle is a major advancement in precision shooting. A floating center crosshair two MOA wide and two MOA tall provides a precise aiming point—especially on smaller targets at longer ranges. One-MOA elevation and windage spacings provide for more accurate rangefinding and hold-offs compared to ordinary reticles with coarser markings. The Nightforce MOAR™ has thicker line subtensions than our traditional reticles, marked with 10, 20 and 30 MOA elevation indicators (10 and 20 MOA windage indicators), making it extremely fast and easy to view under field conditions.

The MOAR™ design is more intuitive, easier to see in low light and more visible against dark backgrounds and in shadows than other MOA reticles. Shooters will also find the 3, 6 and 9 o'clock posts to be an excellent asset for greater speed and target acquisition.

The detail provided by the MOAR™ makes it ideal for field tactical applications, long-range hunting and varmint shooting. It is an evolution from our best-selling NP-R1 reticle, and has established new levels of precision and ease of use for the long-range shooter.

Offered in Nightforce 2.5-10x, 3.5-15x, 5.5-22x and 8-32x NXS™ riflescopes, the 5-25 x 56 ATACR™, the 5-25 x 56 F1 B.E.A.S.T.™ and the 4-14 x 56 SHV™.



OUR MIL-R™ RETICLE: THE SMARTEST MIL-RADIAN RETICLE ON THE PLANET.

Precise Mil-Radian ranging, accurate hold offs, on-the-money first-shot placement and quick followup shots on either still or moving targets are the results with the new Nightforce MIL-R™ reticle.

Everything about it is designed for speed and intuitiveness. The clean, uncluttered floating center crosshair is precisely 1.0 Mil, supported by whole, half, .2 and .1 Mil-Radian graduations.

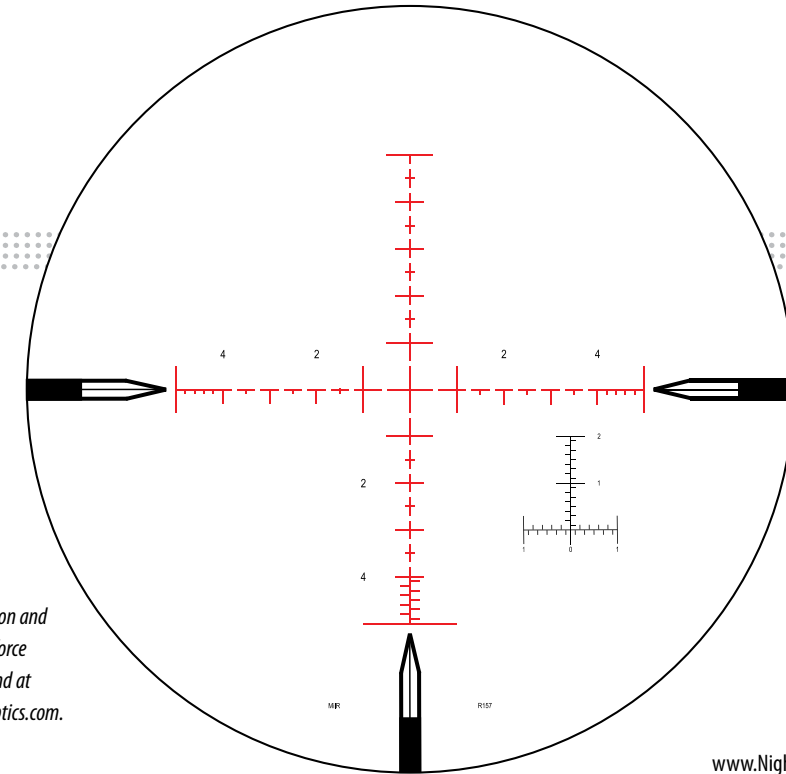
Numerical indicators provide quick reference to Mil-Radian spacing under stressful conditions. The spaces between the whole

Mil-Radian graduations provide accurate ranging and hold off references in much finer, more precise increments than coarser, less intelligent reticles. The shooter can also easily distinguish between whole and half Mils.

Unique to the MIL-R™ is the inverted "T" Mil-Radian ranging scale. This allows the shooter to easily and logically reference zero to whole Mil-Radians in .2 and .1 Mil-Radian markings.

It's fast, precise and smart. Almost as smart as the shooter who uses it.

The MIL-R™ is offered in Nightforce 5-25 x 56 ATACR™ and 2.5-10x riflescopes (second focal plane,) and the 5-25 x 56 F1 B.E.A.S.T.™ (first focal plane).



Detailed information and tutorials on Nightforce reticles can be found at www.nightforceoptics.com.



INTELLIGENT i4F™ ELEVATION CONTROLS
XTREMESPEED™ ADJUSTMENTS
DIGILLUM™ DIGITAL ILLUMINATION
90%+ TRUE-TO EYE LIGHT TRANSMISSION
EXCEPTIONAL CONTRAST & RESOLUTION
34MM TUBE
FIRST FOCAL PLANE RETICLE

**A COMBINATION OF TECHNOLOGY AND PERFORMANCE
 NEVER BEFORE BUILT INTO A RIFLESCOPE.**

The U.S. military spoke. We listened.

The playing field in warfare has changed. Our military snipers are engaging targets at ever-increasing ranges; extremely difficult targets demanding levels of positive identification, accuracy and optical performance that were impossible with existing technology.

Recognizing this, the U.S. military threw out all the conventions associated with tactical day scopes, and requested a riflescope unlike any ever created.

Thus was born the B.E.A.S.T.™ And it's a beauty.

New standards of resolution and clarity.

There are plenty of high-magnification variable power riflescopes on the market. But, magnification without extreme resolving power, razor-sharp clarity and superb contrast—even in dismal light—is of no value.

Military snipers are now called upon to positively identify targets and distinguish threats at distances measured in hundreds of meters. The slightest nuance in appearance can, for example, separate a legitimate IED threat from an innocent non-combatant.

The optical prescription and glass used in the B.E.A.S.T.™ was created through a collaboration between U.S. and German engineers, who were tasked with achieving resolution and clarity that surpassed that of any riflescope in the world.

They succeeded.

The highest possible light transmission.

The professional sniper's world is one of shadow and darkness. Enemies intent upon doing harm are not in the habit of operating in broad daylight.

Thus, from day one, we knew that the B.E.A.S.T.™ had to outperform any other existing riflescope in poor light. And it does.

The B.E.A.S.T.™ achieves 90%+ light transmission—*approaching the maximum limit of what is physically possible. There is no such thing as 100% light transmission in a riflescope.* Only a handful of riflescopes in the world have ever topped the 90% figure, and the human eye can distinguish differences of approximately 3%. At first or last light, the B.E.A.S.T.™ can make the difference between a precise shot—or no shot at all.

Applicable to any tactical environment.

At just 15.37" in length, the B.E.A.S.T.™ is very compact relative to its power, allowing friendly attachment of thermal, night vision and other accessories.

On today's battlefield, our servicemen can find themselves in a firefight in a crowded, close-in urban environment, or engaging small targets at extreme distances... all in a single day. Our military requested one riflescope equally adept in every conceivable environment, and the B.E.A.S.T.'s™ 5-25x magnification range provides multi-scope capability in one sophisticated package.



5-25 x 56 F1 B.E.A.S.T.™

Why is the most advanced riflescope on the market today called the B.E.A.S.T.™? It has nothing to do with size, weight, or appearance.

Our engineers were asked to do what was thought impossible... to create a riflescope the likes of which had never been built before. To invent radical new technologies that solve old problems inherent to competitor's products. And to include capabilities and features that for years had been nothing but pipe dreams.

Cut no corners, they were told. Not on materials, on quality, on workmanship, on durability. Conceive the ultimate riflescope, we asked them. Then build it.

It was a challenge so demanding, so taxing, at times so overwhelming, that the concept became known as "a beast," both for the difficulties it presented and for the times when it seemed they had created a monster.

When they succeeded, and it came time to give the newest Nightforce riflescope a name, nothing else seemed appropriate. "But we can't call a riflescope a "beast," some folks said. What does that stand for? What will customers think?

They'll think it stands for "Best Example of Advanced Scope Technology." Because that's what it is.

First focal plane precision

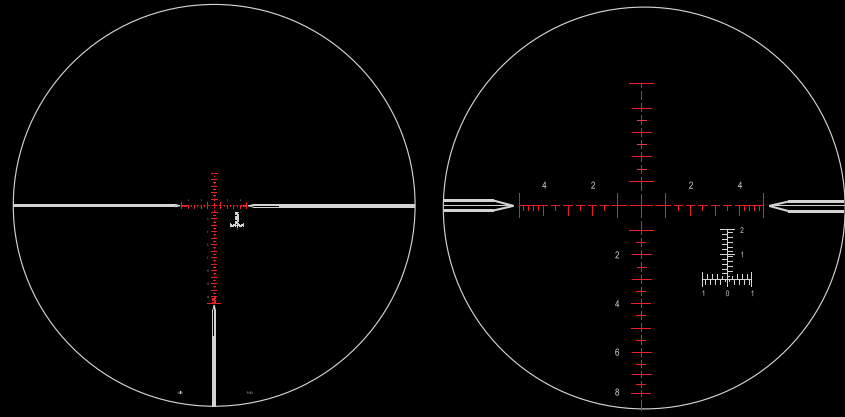
While locating a reticle in a riflescope's second focal plane is most common, a first focal plane location has distinct advantages to the accomplished shooter.

All reticle subtensions, whether in MOA or Mil-Radian configuration, remain in the same visual proportion to the target across the scope's entire magnification range. This makes a first focal plane reticle particularly effective for target holdovers, windage leads and range estimation. It eliminates a number of variables, resulting in greater speed and ultimately in greater accuracy in high-stress environments.



The MIL-R™ first focal plane reticle as viewed at 5x

The MIL-R™ first focal plane reticle as viewed at 25x



BEAST

BEST EXAMPLE OF ADVANCED SCOPE TECHNOLOGY

90%+ light transmission

The result of collaboration between U.S. and German optical engineers, the B.E.A.S.T.™ provides some of the highest light transmission values ever achieved in a riflescope.

MOA or Mil-Radian?

Your choice of MOA (.50 XtremeSpeed™/.250 fine elevation, .250 windage) or Mil-Radian (.2 Mil XtremeSpeed™/.1 Mil fine elevation, .1 Mil windage) adjustments.

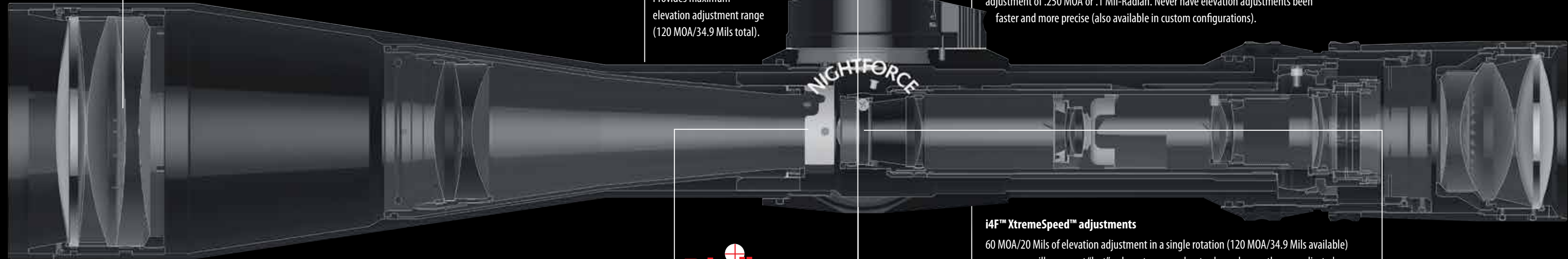
There has never been a riflescope like the B.E.A.S.T.™

Extraordinary light transmission. One-turn, 60 MOA elevation capability that meets or exceeds the effective range of any known cartridge at extreme ranges.

The B.E.A.S.T.™ makes no compromises, no concessions. It is an investment that will pay dividends for years to come... long after less sophisticated scopes become obsolete.

Come to think of it, they already are.

Five advanced reticles are offered in the B.E.A.S.T.™, each designed to make maximum use of its first focal plane reticle location. We offer both MOA- and Mil-Radian-based reticles that combine unequalled precision with speed and ease of operation. Illumination is standard.



i4F™ elevation controls

The B.E.A.S.T.™ i4F™ elevation system provides four separate elevation adjustment functions. It is lightning fast, completely intuitive, and not found on any other riflescope.

i4F™ elevation and 360° brake controls

The 360° brake control prevents accidental or unintended adjustment to the XtremeSpeed™ elevation adjustment. This allows you to make an elevation adjustment in the field and keep it in place, without affecting your primary zero.

It's very fast and simple to use. Simply rotate the 360° brake control 45° clockwise. The brake control will rise into position, exposing a red brake engagement indicator. To disengage, depress the 360° brake control and rotate 45° counter-clockwise to allow adjustment. That's it, from start to stop and back in only 45° degrees of movement.



i4F™ and M2™ precision elevation lever

Make your initial elevation adjustments instantly with the primary adjustment knob, in .50 MOA or .2 Mil-Radian increments. Then, for extreme precision, a simple throw of our fine adjustment lever provides an additional elevation adjustment of .250 MOA or .1 Mil-Radian. Never have elevation adjustments been faster and more precise (also available in custom configurations).

34mm tube

Provides maximum elevation adjustment range (120 MOA/34.9 Mils total).



Nightforce fully digital Digillum™ illuminated reticle technology is standard on the B.E.A.S.T.™. It will default to the previous setting you chose before turning it off. See page 7 for details.

i4F™ XtremeSpeed™ adjustments

60 MOA/20 Mils of elevation adjustment in a single rotation (120 MOA/34.9 Mils available) means you will never get "lost" or have to worry about color codes or other complicated mechanisms. Having 60 MOA/20 Mils available in a single turn exceeds the capability of any existing cartridge at maximum range. It is highly unlikely you will ever need more.

i4F™ and ZeroStop™

Our patented ZeroStop™ system (see page 15) allows you to return to your established zero point at any time, simply by feel. No guessing, no searching, no visual reference needed. It's included with the B.E.A.S.T.™



First focal plane reticle

First focal plane reticle subtensions remain in proportion to the target at any magnification allowing simpler target hold overs, windage leads and rangefinding.

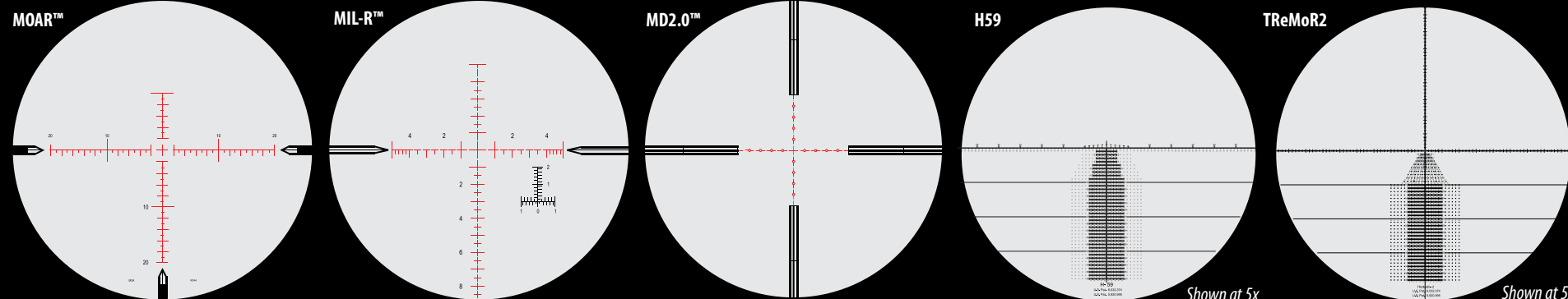
MOAR™

MIL-R™

MD2.0™

H59

TReMoR2



Shown at 5x

Shown at 5x

The H59 and TReMoR2 are products of Horus Vision, LLC. All trademarks and copyrights apply.

Product specifications are subject to change without prior written notice. Products may differ in appearance from those pictured.

OUR NEW, IMPROVED COMPETITION™ 15-55 x 52: QUITE SIMPLY, THERE IS NO COMPETITION.



We're not used to seeing John Whidden wearing a tie, but that's what happens when you win the 2013 Wimbledon Cup at Camp Perry. John used a Nightforce Competition™ riflescope, which he cites as helping him attain the last of the long range awards he had not already achieved, with a score of 200-17x. The Wimbledon Cup has, since 1875, been one of shooting's most coveted and difficult 1000-yard prizes. It's "any sight, any rifle" format separates the men from the boys. Our congratulations to John.

Two fast, easy-to-read windage caps are included, so you can tailor the Competition™ to your style of shooting.

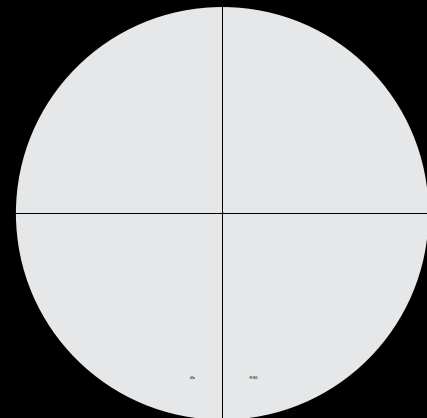


COMPETITION NIGHTFORCE™



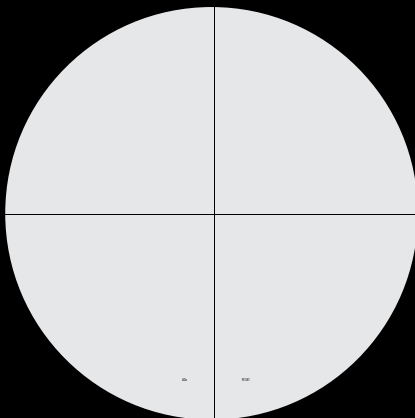
CTR-2™

Highly precise reticle with .016 MOA vertical and horizontal lines and a .095 MOA center dot.



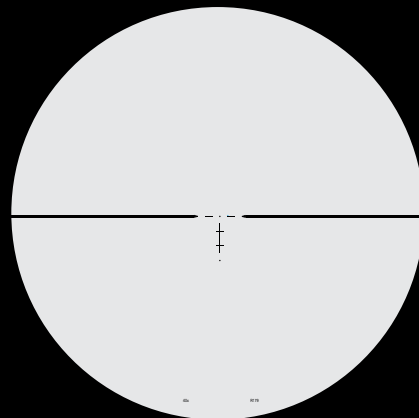
CTR-3™

The ultimate in simplicity with .016 MOA non-illuminated vertical and horizontal lines, and nothing else to distract the eye.



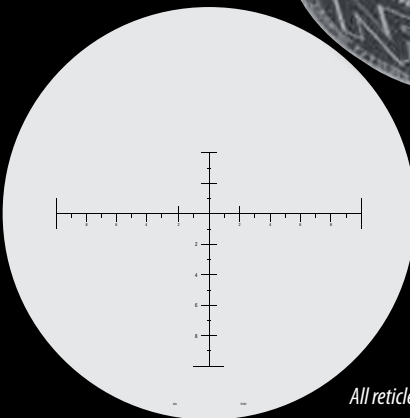
DDR-2™

Two .172 MOA horizontal stadia outside of .016 MOA center lines. .026 MOA center dot, plus second dot 3 MOA below center. Vertical indicators in .50, 1.0, 2.0 and 2.5 MOA increments.



FCR-1™

.016 MOA lines with vertical and horizontal marks and numbers in one-MOA increments.



All reticles subtend at 40x.



Nightforce is proud to be a long-time supporter of the U.S. F-Class rifle teams. We were the official riflescope sponsor for both the F-Open and the F-T/R teams at the 2013 World Championship F-Class competition in Raton, New Mexico.



15-55 x 52 Competition™

ED glass, for superb color contrast correction and high resolution. A remarkable 92% light transmission, approaching the maximum ever achieved in any riflescope. Fast-focus European-style eyepiece. Just 27.8 ounces in weight—24% lighter than our 12-42 x 56 Benchrest, and over 20% lighter than our 12-42 x 56 NXS™ riflescopes.

The list goes on. Side parallax adjustment from 25 yards to infinity. Hi-Speed™ windage and elevation adjustments of .125 MOA, positive and repeatable over a lifetime of use, now standard with ZeroStop™. Total elevation travel is 55 MOA, total windage 50 MOA. Each rotation provides 10 MOA of adjustment.

The exceptional resolving power of the Competition's ED glass, combined with our lens coatings and uncompromising construction techniques perfected over 20 years, means that *all* of the Competition's magnification range produces outstanding clarity... not just a portion of it, as is often the case in lesser optics. For the serious competitor, this is one serious riflescope.

Please note: we recommend the use of a 20-30 MOA tapered base to yield maximum performance from your Competition™ riflescope.

Tony Boyer has been described as "by far the greatest shooter in the history of short-range benchrest competition." So, we were honored when Tony agreed to put our new Competition™ to the test.

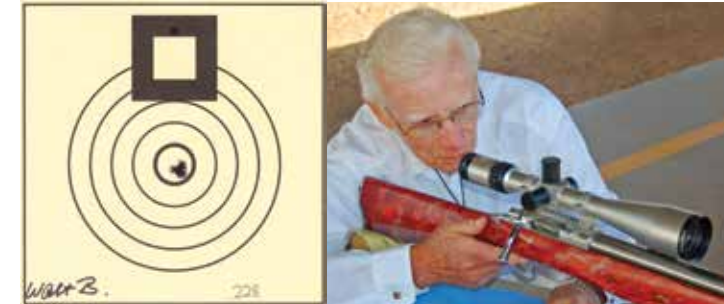
At right is one of Tony's tests, five shots, 100 yards with a 6mm PPC using Berger Match FB bullets. The shots were fired in a sequence at five different magnifications: 55x, 15x, 45x, 25x and 35x. The "scope worked great," Tony said, even though "conditions were not that good." The results show you something about the Competition's consistency. And Tony's.



A sunshade and lens covers are included.

You asked for it, you got it! The Competition™ now includes ZeroStop™ and Hi-Speed™ adjustments as standard equipment.

ZeroStop
NIGHTFORCE



Walt Berger, founder of Berger Bullets, tried out a new Nightforce Competition™ at a short range benchrest match in California. "I won the 100 yard LV with 0.1816 aggregate, the 200 yard HV aggregate with a 0.184," Walt reported. "I won the HV grand aggregate and the overall two gun aggregate. I cannot remember shooting a better 200 yard aggregate. Without question the scope is helping me to shoot better... I shot as good as I have ever shot." That is saying something for a man who has been shooting for most of his 85 years. We sincerely thank Walt for sharing his accomplishments with us.





8-32 x 56 Precision Benchrest

Since 1992, Nightforce riflescopes have won more records in long-range benchrest competitions—including several world records in .50 B.M.G. 1000 yard benchrest— than any other scope on the market. Both Precision Benchrest models include an externally adjustable illuminated reticle, true .125 MOA click values and a broad range of internal adjustment.

These are not “dual-purpose” or hunting scopes with a different name. Each was designed and built from the ground up to answer the specific demands of the long-range benchrest shooter.



12-42 x 56 Precision Benchrest

Each of our Precision Benchrest models feature 56mm objectives and multi-coated lenses, providing the superior resolution necessary to distinguish fine detail at extremely long ranges. An adjustable objective allows extra-fine focus to adjust parallax from 25 yards to infinity.

Target adjustments are calibrated in true .125 MOA (1/8 click) values and can be re-indexed to zero after sighting in.

Both Precision Benchrest riflescopes are equipped with a coil spring plunger return system to maximize tracking accuracy. The eyepiece provides fast reticle focusing, and a glass-etched illuminated reticle provides optimum image/reticle contrast under virtually any lighting conditions.

Our 12-42 x 56 has garnered more blue ribbons, over more years, than any other single rifle scope in long-range .50 caliber and 1000-yard benchrest competitions.



For years, Nightforce has helped competitive shooters bring home more trophies than any other rifle scope. At left is Darrel Buell's haul from one U.S. F/T/R competition in South Africa.



Actual size 10-shot group, 2.815 inches, 1000 yards, by Matthew D. Kline



Keith is on the way up

While he's shown lying down on the job here, young Navy officer Keith Trapp is a rising star in precision shooting. Keith recently set three Service category highpower records, including 300 Yard F-open, 600 Yard F-open and F-Class Palma course. He also has eight pending records for Service category F-open and Fullbore competitions. Keith is an NRA Master in both F-class mid-range and long-range categories. And, he's a dedicated Nightforce user.

World record shattered!

On September 12, 2010, Matthew D. Kline broke the three-inch barrier for the first time with a new 1000 yard 10-shot Heavy Gun World Record of 2.815 inches, 100-4x. He used a 300 WSM topped with a Nightforce 8-32 x 56 Precision Benchrest scope.

Just to prove he wasn't done, in 2012 Matthew won the score at the World Open in Pennsylvania and the IBS Nationals in West Virginia, both in Heavy Gun.



Mike takes on the Competition

Using a new Nightforce Competition™ 15-55 x 52 rifle scope, in 2013 Mike Hanes rewrote the Light Gun Four-Target Group record with an aggregate of 1.496. He also broke the Eight-Target Two-Gun (light and heavy) record, with a 1.7885 aggregate. Mike uses a Nightforce Precision Benchrest on his 6mm Dasher shown here. Mike was the 2012 IBS 600-Yard Shooter of the Year.

MORE LONG-RANGE RECORDS THAN ANY OTHER RIFLESCOPE.



Joel holds on

In a sport where new records are broken with regularity, Joel's 2009 1000-yard world record of 3.04" remains unchallenged. "I can honestly say Nightforce is in a league of its own," said Joel. Obviously, so is he.

Paul scores in Pennsylvania

In May, 2013, Paul Martinez established a new 10-shot record for the 17 lb. Light Gun Class at Williamsport, shooting a fantastic 3.505" group at 1000 yards, scoring 99-6x. He used a .300 WSM topped with a Nightforce 12-42 x 56 Precision Benchrest. Paul shot an even tighter group warming up for the match, which unfortunately didn't count.



First-ever "clean"

Phil Kelley Jr. broke new ground on his way to winning the 2012 NC Long Range Championship; setting a new World & National Record with the first-ever "clean" in a NRA-registered match. The match requires 20 shots at 1000 yards. Phil shot a score of 200-5x in F-Class TR division, the first time such perfection has been achieved. Phil's rifle scope? Nightforce.



ONLINE ACCURACY: THE VELOCITY™ RETICLE CALCULATOR

We've made long-range shooting a simpler science.

Imagine going on a hunt knowing you'll never have to guess at how much to hold over. Imagine having the confidence to shoot consistently and accurately, whatever your target, even at extreme ranges.

Nightforce Velocity™ reticles, in conjunction with our online calculator, make it a reality. If you're confident of the distance to your target, if you've practiced thoroughly during the off season, and if you've done your homework with us—consistent long-range accuracy is at your fingertips.

The unique online Nightforce Velocity™ Reticle Calculator was created to maximize the precision and effectiveness of Nightforce Velocity™ reticles. It will give you step-by-step instructions to establish your rifle's individual ballistic profile and match it with the correct Velocity™ reticle and scope. It will then give you a recommended sight-in distance to optimize your trajectory from 100 to 600 or 100 to 1000 yards, depending upon the Velocity™ reticle you choose.

We've done all the legwork.

The calculator has an extensive built-in library of factory loads. Handloaders will find a complete database of the most popular bullet brands and styles. Just pick your bullet, enter your muzzle velocity and click.

You can even enter atmospheric conditions specific to your area if you wish, or simply select our default conditions to get started.

The ultimate accuracy tool.

The Velocity™ Reticle Calculator instantly shows you standard deviation from a Velocity™ reticle's markings at all ranges in 100-yard increments. We'll make recommendations based upon our standard of less than .50 MOA deviation at any range you choose.

www.nightforceretidecalculator.com

Detailed information and tutorials on Nightforce products, including our Velocity™ reticles, can be found at www.nightforceoptics.com.

Simply select from the ballistic menu options, enter your muzzle velocity, and click to see the best Velocity™ reticle match.

Results are instantly matched to your rifle's ballistic profile. It will outline recommended scope/reticle combinations, suggested sight-in distance, and standard deviation in 100-yard increments.

Recommended Velocity 1000 Reticle

Velocity 1000 Reticle UVV

Ball Number	Description
1267	100 - 5.5-22x30mm - 240gr - .250 MOA - UVV
1375	100 - 5.5-22x30mm - 230gr - UVV
1377	100 - 5.5-22x30mm - 240gr - .250 MOA - UVV
1386	100 - 5.5-22x30mm - 230gr - UVV
1389	100 - 5.5-22x30mm - 240gr - .250 MOA - UVV
1423	100 - 5.5-22x30mm - 240gr - .250 MOA - UVV

For Optimum Results Sight In Center Crosshair @ 275 Yards

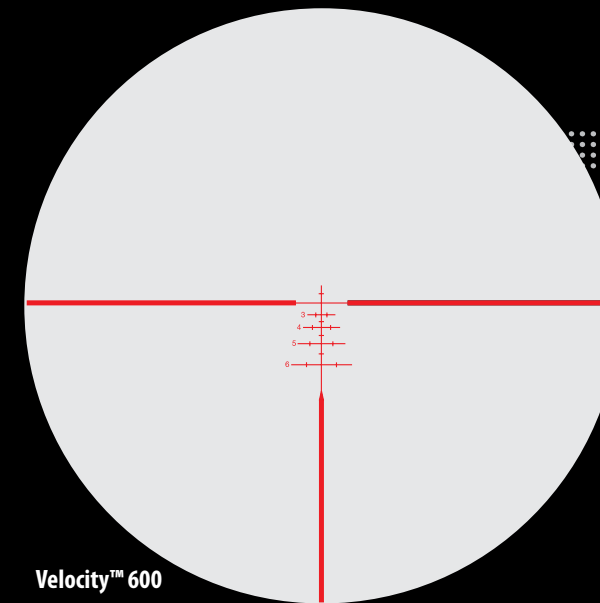
The results of the recommended velocity reticle calculation are:

Velocity 1000 Reticle User	Standard Deviation (Difference Between The Sub-Tension In The Reticle And Bullet Drop)	Optimum Sight-In
Range	200 Yard Zero (MOA)	175 Yard Zero (MOA)
100	-0.29	-0.3
200	0.0	-0.29
300	0.3	-0.1
400	0.33	0.01
500	0.44	0.15
600	0.51	0.22
700	0.46	0.18
800	0.29	0.1
900	0.15	-0.11
1000	-0.28	-0.48

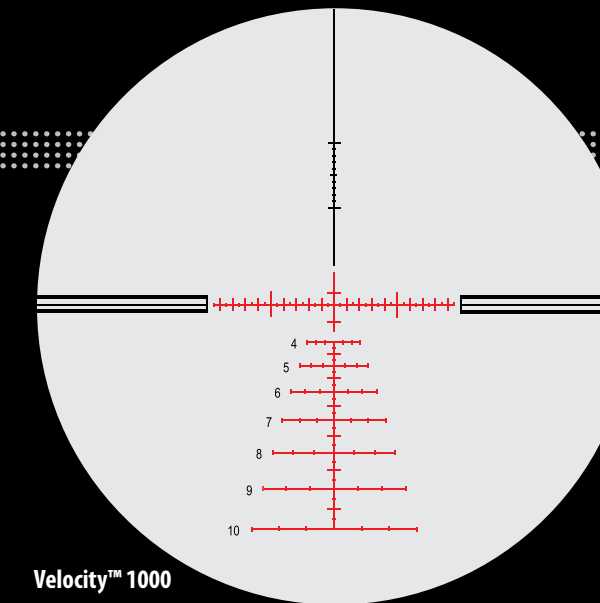
Input

Input	Value
Bullet Coefficient Type	G1
Bullet Caliber (in)	5.56
Bullet Weight (gr)	155
Manufacturer/Brand	Barnes
Bullet Type And BC Source	MSR-67 - Factory V0
Bullet Coefficient	0.42
Muzzle Velocity (ft/s)	3450
Altitude (Feet)	2800
Temperature (Degrees F)	50
Pressure (inHg)	27.52
Humidity (%)	50

Please be aware that any changes to the inputs used above could result in performance changes of increased or decreased impact deviation.



Velocity™ 600



Velocity™ 1000

NIGHTFORCE VELOCITY™ RETICLES: A NEW CONCEPT IN SPEED AND ACCURACY.

The best of both worlds.

Professional, military and competition shooters have long appreciated the precision made possible by sophisticated ballistic reticles, especially at extreme ranges. But, for the hunter—or for any shooter for whom time is of the essence—traditional ballistic reticle designs are often too complicated, cumbersome, cluttered and slow for effective use in the field. Not any more.

Fast, foolproof and uncomplicated.

Our Velocity™ reticles solve the basic problems that have historically plagued the hunter when presented with a long shot. Now, there's no guessing. No difficult calculations. No estimating holdover. No counting elevation adjustments. Once you've determined the range to your target, simply choose the appropriate elevation/windage mark and hold dead on. They're up to twice as fast as ordinary ballistic reticles.

Visit www.nightforceoptics.com for detailed information and tutorials on our Velocity™ reticles.

Tailored for your rifle and your load.

Some manufacturers tout "one-size-fits-all" ballistic reticle designs that require you to dial down your magnification (not a good idea when shooting at longer ranges), in an attempt to match their reticle's configuration to your rifle... hardly a recipe for speed or precision.

Our Velocity™ reticles are offered in several configurations based upon the muzzle velocity and caliber of your rifle. Virtually every modern rifle cartridge will mesh perfectly with one of our Velocity™ series, with minimal point-of-impact deviation.

On our website you'll find an online calculator in which you enter your chosen load's details. It instantly tells you which Velocity™ reticle is appropriate for your rifle, and provides an optimum sight-in distance to maximize your bullet's trajectory. Sight in your rifle according to these recommendations, and you won't have to worry about guessing at holdovers again.

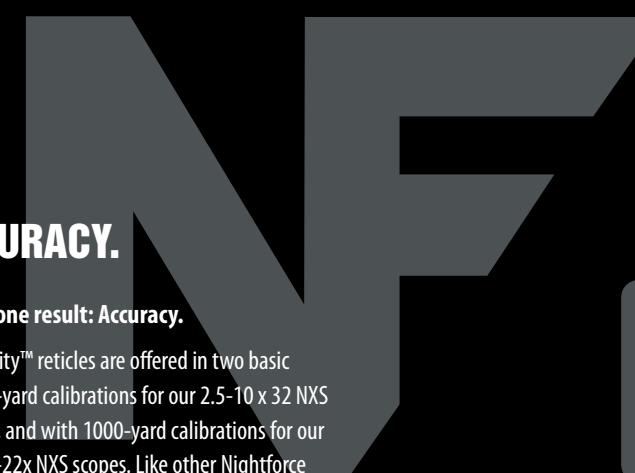
Two versions, one result: Accuracy.

Nightforce Velocity™ reticles are offered in two basic styles: with 600-yard calibrations for our 2.5-10 x 32 NXS Compact scopes, and with 1000-yard calibrations for our 3.5-15x and 5.5-22x NXS scopes. Like other Nightforce reticles, illumination is standard. In addition to holdover markings, windage compensation in 5 and 10 mph increments (up to 15 mph on the 1000-yard version) are clearly indicated.



Bob and Christine Beck of Extreme Outer Limits TV on their first long-range safari in Africa, where they put our Velocity™ 1000 yard reticle to the test.

Nightforce Velocity™ reticles are the ultimate combination of ballistic and hunting reticles. They allow precise shot placement at long ranges with accurate holdovers, in a clean, uncluttered design that won't interfere with quick target acquisition and close-in shots under stress.



VELOCITY™ RETICLES



A SALUTE TO THE WORLD'S SERVICEMEN

SARATOGA
 NEW ORLEANS
 SAN JACINTO
 ANTIETAM
 SAN JUAN HILL
 THE ARGONNE
 IWO JIMA
 OMAHA BEACH
 INCHON
 DAK TO
 MEDINA RIDGE
 KANDAHAR
 FALLUJAH

*"You can manufacture weapons
 And you can purchase ammunition,
 but you can't buy valor
 And you can't pull heroes
 off an assembly line."*

—Sergeant John B. Ellery
 U.S. 1st Infantry Division

Inscribed at the Normandy American Cemetery
 Visitor Center, Colleville-sur-Mer, France

War is hell.

So said William Tecumseh Sherman, who witnessed four long years of it during the American Civil War.

Few who have served would disagree.

But, as long as individuals exist who view freedom as a threat, who delight in oppressing their fellow man, who see free nations as obstacles to their dreams of world domination, war—unfortunately—will remain part of the human condition.

It also remains the task of men and women in uniform to meet these challenges as they have done for generations... unselfishly and bravely, not through desire but through duty, knowing that freedom is worth fighting for.

And, at times, dying for.



The Eternal Light Peace Memorial stands silent vigil over the battlefield at Gettysburg, conceived as a "monument to American heroism."

Nightforce has been to war. Most of our riflescopes have been proven in the hands of the U.S. military and other NATO forces, and are currently in active service with special operations units throughout our armed forces.

Many of our staff have served, too. For some, in fact, it was their experiences with Nightforce optics in combat that persuaded them to seek us out when their tours were completed.

Our responsibility is to make the most advanced, most reliable, most efficient tools possible... riflescopes that allow our military professionals to have an advantage over their foes, to accomplish their missions, to protect themselves and their teams, and—above all—to return home safely.

We can provide the tools. We can provide the technology. No one, though, can manufacture the courage, commitment and dedication that is the hallmark of the soldier fighting for freedom. That comes only from the heart.

From *our* hearts, thank you.



A storm approaches the Meuse-Argonne American Cemetery in France. Over 104,000 American soldiers are buried in Europe.



The hole you see in the well-used Nightforce 3.5-15 x 50 NXS™ riflescope below was made by an enemy 7.62x39 round fired at a U.S. soldier. The bullet completely penetrated the erector tube—the heart of the scope's optical system. We're happy to report that the soldier was not injured, and the only casualty was the riflescope's magnification ring, frozen on 15x. Its focus, tracking, and all other functions work just fine. It holds point of aim like new.

The soldier wrapped the riflescope in duct tape to keep out sand and dirt, and used it without a problem for the next three days, completing his mission.

We won't say they're bulletproof. There is at least one soldier, however, who would argue otherwise.

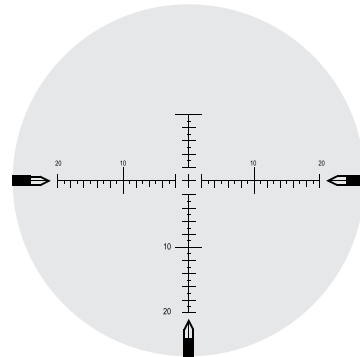


NIGHTFORCE RETICLES

Most Nightforce riflescopes include reticle illumination at no extra cost. Illuminated portions of our reticles are shown enlarged in the lower illustrations.

Second focal plane reticles

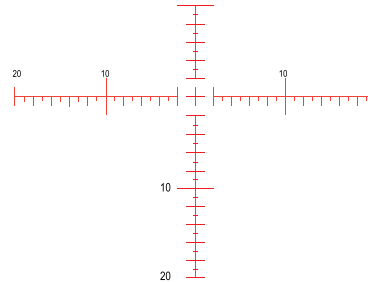
MOA-based



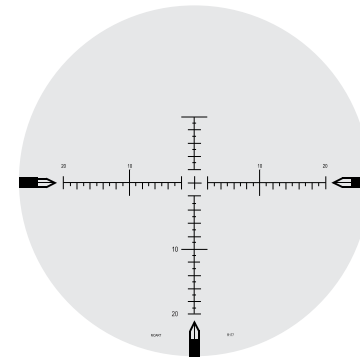
MOAR™

With 1 MOA elevation and windage markings, .140 MOA lines, more accurate rangefinding and hold-offs are possible on smaller targets at longer ranges. Combined with a floating center crosshair, this makes for a reticle extremely fast and easy to use in the field. See page 17 for more information.

Field tactical
Long range hunting
Varmint shooting



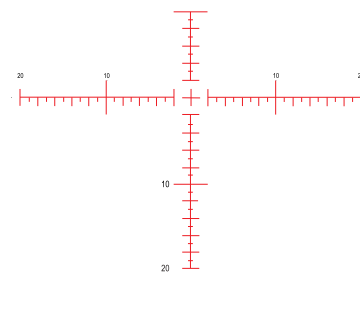
MOAR™ reticles in Nightforce 5.5-22x and 8-32x NXS models have a 20 MOA scale below centerline. Reticles in 2.5-10x and 3.5-15x models have an additional 10 MOA scale below center.



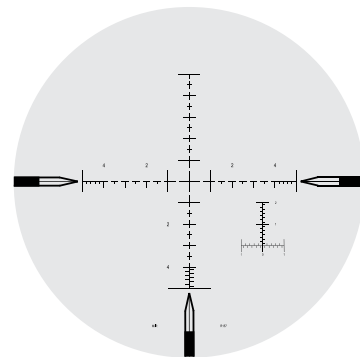
MOAR-T™ New for 2014

Nightforce customers asked for a finer version of our MOAR™ reticle for even more precision at extreme ranges, and our new MOAR-T™ delivers. .0625 MOA lines, with 1 MOA elevation and windage markings. Allows accurate rangefinding and holdover estimation at the longest distances.

Long range hunting
Varmint shooting



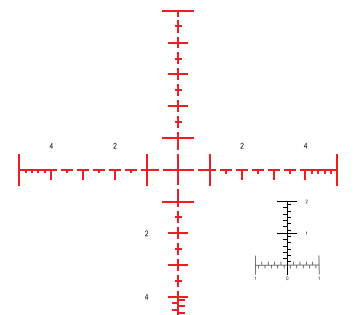
Mil-Radian--based



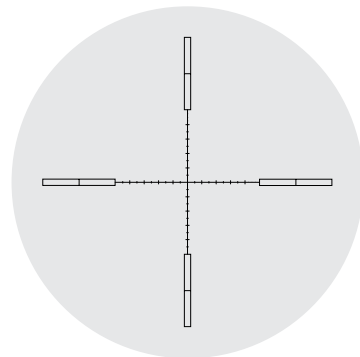
MIL-R™

The most advanced, intuitive Mil-Radian reticle on the market. 1.0 Mil floating center crosshair, complemented by whole, half, .2 and .1 Mil-Radian increments. Accurate hold offs, precise first-shot placement and quick followup shots. See page 17 for more information.

Field tactical
Long range hunting
Varmint shooting



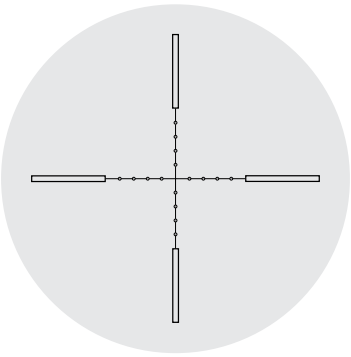
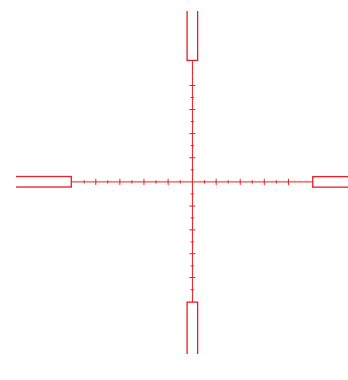
Please see page 22 for the 5-25 x 56 F1 B.E.A.S.T.™ MIL-R reticle configuration.



MLR™

.5 Mil and 1 Mil divisions allow for multiple zeroes, holdover, hold-under and windage adjustments without touching elevation or windage knobs. Excellent for range estimation.

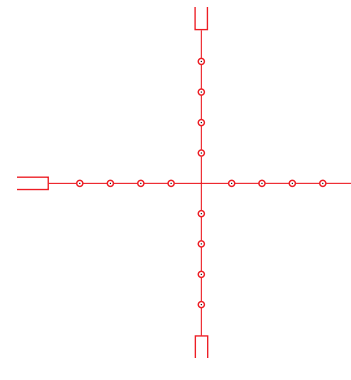
Field tactical
Long range hunting



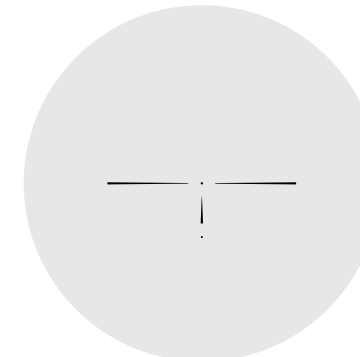
MIL-DOT

See-through dots and posts do not obscure target, allowing for more precise estimation of range. 1 mil spacing between dots (3.6" at 100 yards).

Field tactical



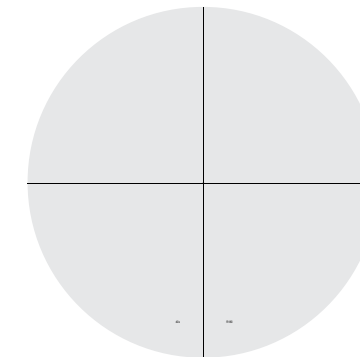
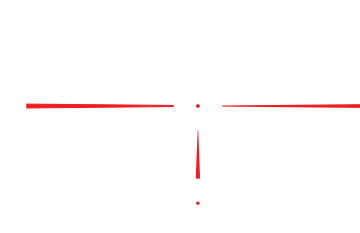
Competition/Target



NP-2DD™

Unobstructed field of view and precise MOA reference markings serve the predator hunter and benchrest competitor equally well. Simple and effective at close and long ranges.

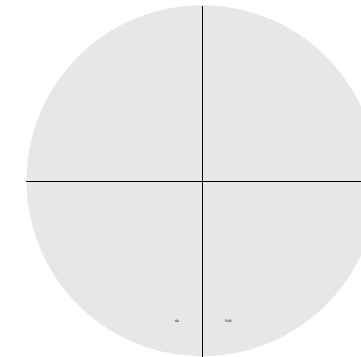
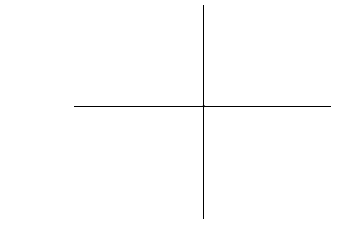
Varmint shooting
Competition/target shooting



CTR-2™ New for 2014

Created for our 15-55 x 52 Competition rifle scope. A non-illuminated reticle, it has fine .016 MOA crosshairs with a .095 MOA center dot. Extremely precise at long ranges.

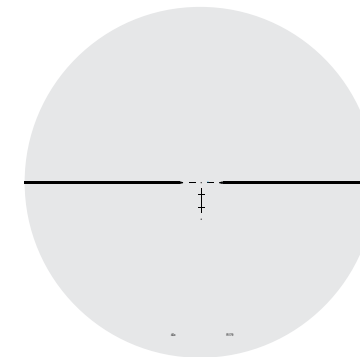
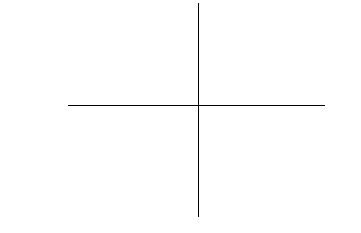
Competition/target shooting



CTR-3™ New for 2014

Also developed for our 15-55 x 52 Competition rifle scope, the DDR™ is a non-illuminated double-dot reticle with .016 MOA vertical and horizontal lines. Simple, nothing to interfere with the target.

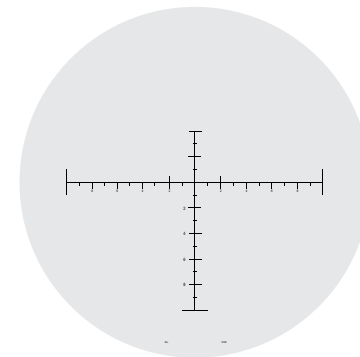
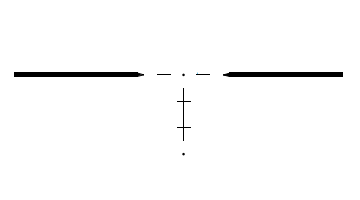
Competition/target shooting



DDR-2™ New for 2014

Extremely versatile and applicable to a number of environments. Two .172 MOA horizontal stadia outside of .016 MOA center lines. .026 MOA center dot, plus second dot 3 MOA below center. Vertical indicators in .50, 1.0, 2.0 and 2.5 MOA increments.

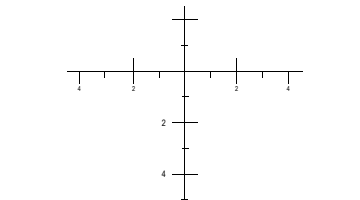
Competition/target shooting



FCR-1™ New for 2014

Available in our Competition™ model. .016 MOA lines with vertical and horizontal marks and numbers in one-MOA increments.

Competition/target shooting



"I have been trusting Nightforce products for my training, business and competition needs for the last 12 years. As a precision rifle business catering to the law enforcement niche, I must have total trust in the glass KMW recommends to agencies and clients. As a competitor, I also demand dependability and performance from my own scope and optical components. In my opinion, Nightforce delivers that confidence so we can worry about solving problems downrange instead of worrying about equipment."
—Terry Cross, KMW—Long Range Solutions



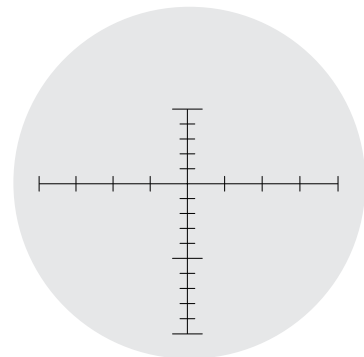
Emerald Island champion
Pat Hunt, an F-Class shooter in the Republic of Ireland, was kind enough to send us details on his successes in the F-Class 2013 European championships. "I have a Nightforce 15-55 x 52 Competition," Pat said, "and it worked without fault. There was a lot of wind adjustments through each distance, adding on 10 to 17 MOA and taking off 7 MOA. I won the gold at 900 yards, [had] the second highest V bull count over two days, and won a bronze in the Rutland team on day three. Would just like to say 'well done' and keep up the good work. . . the scope worked flawlessly."

NIGHTFORCE RETICLES continued

Most Nightforce riflescopes include reticle illumination at no extra cost. Illuminated portions of our reticles are shown enlarged in the lower illustrations.

Second focal plane reticles

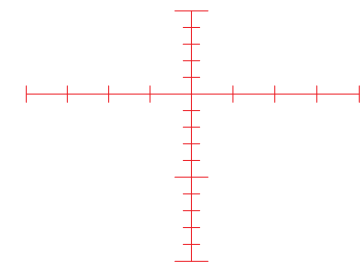
Competition/Target



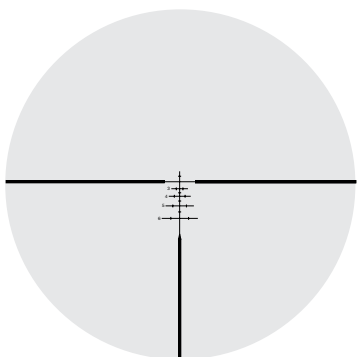
NP-R2™

2 MOA elevation and 5 MOA windage increments allow for multiple zero and hold points along with accurate rangefinding. Excellent for long-range applications including big game hunting.

Field tactical
Varmint shooting
Long range hunting



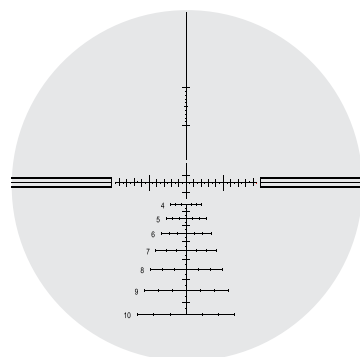
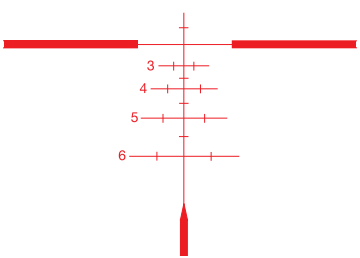
Velocity



Velocity™ 600 Yard

Precise shot placement to 600 yards with accurate holdovers. Low, medium and high velocity configurations. Available in our 2.5-10x NXS riflescopes only. See page 31 for more information.

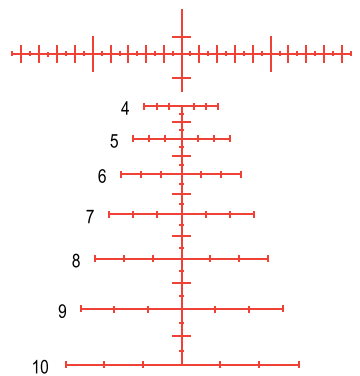
General hunting



Velocity™ 1000 Yard

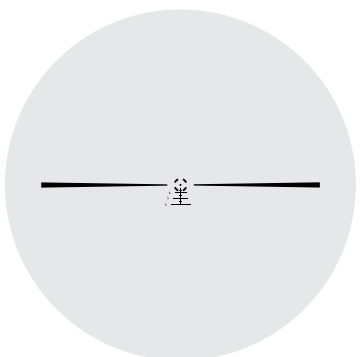
Precise shot placement to 1000 yards with accurate holdovers. Available in LV.5, HV, HV.5, HVM, HVM.5, UHV and UHV.5 configurations relative to the ballistic profile of your rifle. See page 31 for more information.

General hunting and shooting



Our Velocity Reticle Calculator at www.nightforcereticalecalculator.com will select the correct reticle for you and your rifle.

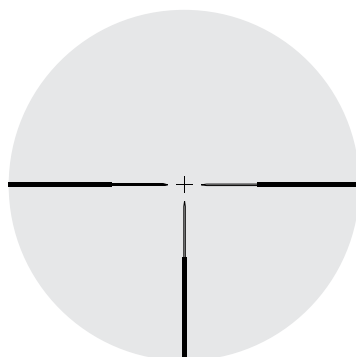
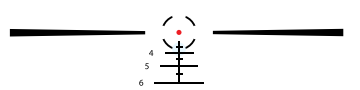
Hunting and general purpose



FC-3G™

Created specifically for our 1-4 x 24 NXS™ and optimized for rifles with 16" barrels, providing accurate holdovers to 600 yards. 200-yard center dot zero, 10 mph windage holds. Also optimized for most popular 5.56 NATO (.223 Rem.) and 7.62 NATO (.308 Win.) cartridges, it adds longer-range capability to one of our most versatile riflescopes.

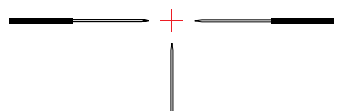
Field tactical
CQB
3 Gun
General hunting



IHR™

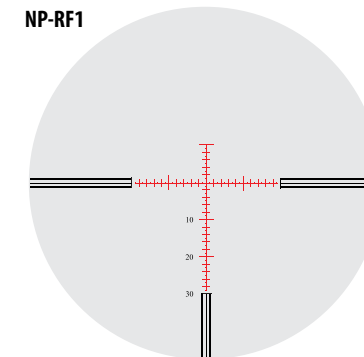
IHR stands for International Hunting Reticle, (some say vastly Improved Hunting Reticle) with good reason. It's uncluttered and lightning fast, equally effective on dangerous game in tight quarters and at longer ranges on smaller targets. A floating center crosshair provides simple hold off capability. 3, 6 and 9 o'clock posts bring the eye quickly to your target.

General hunting and shooting

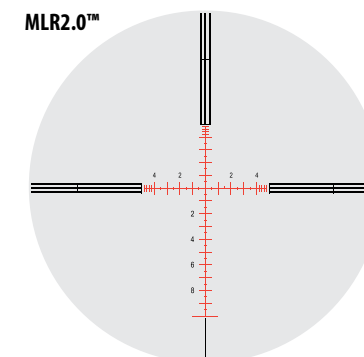


First focal plane reticles

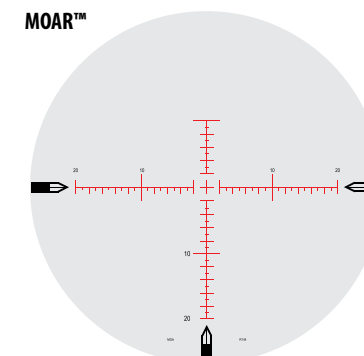
NP-RF1



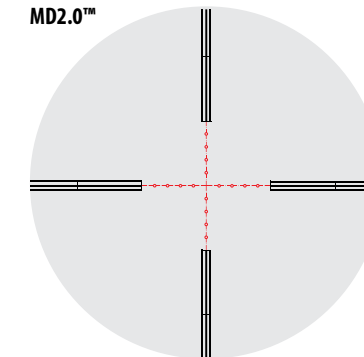
MLR2.0™



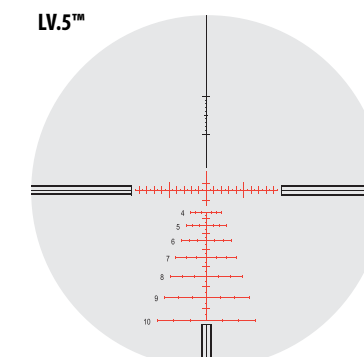
MOAR™



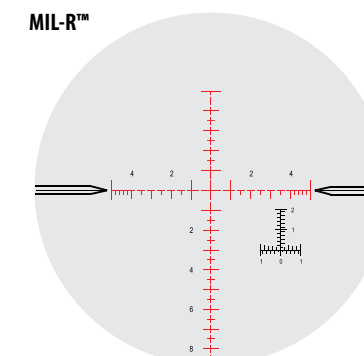
MD2.0™



LV.5™



MIL-R™



Nightforce offers several reticles designed to maximize the effectiveness of our first focal plane B.E.A.S.T™ and 3.5-15 x 50 F1 riflescopes. Please see pages 16 and 20 for more information.



Top-of-the-world trophy

Shaun Trudell and his father journeyed halfway around the world—by plane, car and horseback—for a chance at ibex in the Tien Shan Mountains of Kyrgyzstan. They would be hunting at a lung-busting elevation of 14,000 feet.

Shaun was using a HV.5 Velocity™ 1000 reticle in a Nightforce 5.5-22 x 56 NXS mounted on his .300 WSM. An accomplished long-range shooter, who routinely takes coyotes and big game at distances to 850 yards, he had studied the effect the high altitude would have on his ballistics.

Buffeted by wind, he spotted his ibex at 500 yards, held on the Velocity™ reticle's 475 yard line and 15 mph offset, and squeezed. Shaun could see a bright red spot blossom right behind the animal's shoulder, yet it continued standing. He fired again, placing a second shot within four inches of the first, and the goat dropped in its tracks.

Shaun uses his rifles equipped with Nightforce riflescopes on a daily basis in his line of duty. He says he has come to trust that Nightforce riflescopes will perform when he needs them, regardless of the conditions.

Our congratulations to Shaun. He is a perfect example of the importance of constant practice and familiarity with his equipment, and how that pays dividends when you have only one chance to make a perfect shot.



Field research

Wilhelm Immelman, of Safari & Outdoor outfitters in South Africa, is a Nightforce distributor. He also believes in the product, as evidenced by this outstanding Kalahari gemsbok. "We had great success using our Nightforce optics," Wilhelm said.



Doreen Röhl of Germany, the only woman shooting in a .50 BMG competition at 1000, 1200, and 1500 meters, not only helped her team secure first place but took second overall in individual standings. She used a 5.5-22 x 56 NXS™ that was acquired used, already having seen thousands of shots. Doreen modestly added that she overcame the "problem" of six professional military snipers in the competition, too.

SPECIFICATIONS



	1-4 x 24 NXS	2.5-10 x 32 NXS	2.5-10 x 42 NXS	3.5-15 x 50 NXS	3.5-15 x 50 F1 NXS	5.5-22 x 50 NXS	5.5-22 x 56 NXS	8-32 x 56 NXS	4-14 x 56 SHV	5-25 x 56 A1ACR	5-25 x 56 F1 B.E.A.S.T.	8-32 x 56 Benchrest	12-42 x 56 Benchrest	15-55 x 52 Competition
Objective outer diameter	30 mm	40 mm	50 mm	59 mm	59 mm	59 mm	65 mm	65 mm	65 mm	65 mm	65 mm	69 mm	69 mm	61 mm
Exit pupil diameter	1x: 16 mm 4x: 6 mm	2.5x: 13.3 mm 10x: 3.3 mm	2.5x: 15.5 mm 10x: 4.4 mm	3.5x: 14.3 mm 15x: 3.6 mm	3.5x: 11.5 mm 15x: 3.2 mm	5.5x: 9.1 mm 22x: 2.3 mm	5.5x: 10.2 mm 22x: 2.5 mm	8x: 7.0 mm 32x: 1.8 mm	4x: 12.0 mm 14x: 3.6 mm	5x: 10.52 mm 25x: 2.28 mm	5x: 8.3 mm 25x: 2.3 mm	8x: 5.6 mm 32x: 1.7 mm	12x: 4 mm 42x: 1.4 mm	15x: 3.54 mm 55x: .93 mm
Field of view @100 yards/100 meters	1x: 100 ft 4x: 25 ft 1x: 30.5 m 4x: 7.6 m	2.5x: 44 ft 10x: 11 ft 2.5x: 13.4 m 10x: 3.4 m	2.5x: 44 ft 10x: 11 ft 2.5x: 13.4 m 10x: 3.4 m	3.5x: 27.6 ft 15x: 7.3 ft 3.5x: 8.4 m 15x: 2.2 m	3.5x: 28 ft 15x: 8.7 ft 3.5x: 8.5 m 15x: 2.6 m	5.5x: 17.5 ft 22x: 4.7 ft 5.5x: 5.3 m 22x: 1.4 m	5.5x: 17.5 ft 22x: 4.7 ft 5.5x: 5.3 m 22x: 1.4 m	8x: 12.1 ft 32x: 3.1 ft 8x: 3.7 m 32x: 1 m	4x: 24.9 ft 14x: 7.3 ft 4x: 7.59 m 14x: 2.23 m	5x: 17.96 ft 25x: 4.92 ft 5x: 5.47 m 25x: 1.5 m	5x: 18.7 ft 25x: 4.92 ft 5x: 5.7 m 25x: 1.45 m	8x: 9.4 ft 32x: 3.1 ft 8x: 2.9 m 32x: 1 m	12x: 6.7 ft 42x: 2.3 ft 12x: 2 m 42x: 0.7 m	15x: 6.91 ft 55x: 1.83 ft 15x: 2.10 m 55x: 0.55 m
Eye relief	90 mm/3.5"	95 mm/3.7"	88 mm/3.5"	99 mm/3.9"	80 mm/3.15"	95 mm/3.7"	99 mm/3.9"	98 mm/3.8"	80-90 mm/3.15-3.54"	90 mm/3.54"	85-90mm/3.35"-3.54"	75 mm/2.9"	75 mm/2.9"	80-90 mm/3.15"
Internal adjustment range (MOA/Mil)	e: 100 MOA w: 100 MOA e: 27.3 MIL w: 27.3 MIL	e: 100 MOA w: 100 MOA e: 27.3 MIL w: 27.3 MIL	e: 100 MOA w: 100MOA e: 27.3 MIL w: 27.3 MIL	e: 110 MOA w: 80 MOA e: 30 MIL w: 21.8 MIL	e: 110 MOA w: 80 MOA e: 30 MIL w: 21.8 MIL	e: 100 MOA w: 60 MOA e: 27.3 MIL w: 16.4 MIL	e: 100 MOA w: 60 MOA e: 27.3 MIL w: 16.4 MIL	e: 65 MOA w: 45 MOA e: 17.7 MIL w: 12.3 MIL	e: 100 MOA w: 70 MOA e: 27.3 MIL w: 19.1 MIL	e: 120 MOA w: 60 MOA e: 34.9 MIL w: 17.45 MIL	e: 120 MOA w: 80 MOA e: 34.9 MIL w: 23.27 MIL	e: 50 MOA w: 50 MOA e: 13.6 MIL w: 13.6 MIL	e: 40 MOA w: 40 MOA e: 10.9 MIL w: 10.9 MIL	e: 55 MOA w: 50 MOA e: 15.0 MIL w: 13.6 MIL
Click value	.250 MOA .1 MIL-RAD	.250 MOA .1 MIL-RAD	.250 MOA .1 MIL-RAD	.250 MOA .1 MIL-RAD	.250 MOA .1 MIL-RAD	.250 MOA .1 MIL-RAD	.250 MOA .1 MIL-RAD	.125/ .250 MOA .1 MIL-RAD	.250 MOA .1 MIL-RAD	.250 MOA .1 MIL-RAD	.50 and .250 MOA .2 and .1 MIL-RAD	.125 MOA .125 MOA	.125 MOA .125 MOA	.125 MOA
Parallax adjustment	Fixed 75 yd	Fixed 125 yd	25 yd-∞	50 yd-∞	50 yd-∞	50 yd-∞	50 yd-∞	50 yd-∞	25 yd-∞	45 yd-∞	45 yd-∞	25 yd-∞	25 yd-∞	25 yd-∞
Tube diameter	30 mm/1.18"	30 mm/1.18"	30 mm/1.18"	30 mm/1.18"	30 mm/1.18"	30 mm/1.18"	30 mm/1.18"	30 mm/1.18"	30 mm/1.18"	34 mm/1.34"	34 mm/1.34"	30 mm/1.18"	30 mm/1.18"	30 mm/1.18"
Eyepiece outer diameter	40 mm	40 mm	40 mm	43 mm	43 mm	43 mm	43 mm	43 mm	43 mm	44 mm	46 mm	43 mm	43 mm	43 mm
Overall length (inches/mm)	8.8/224	12/305	11.9/302	14.7/373	14.8/376	15.1/384	15.2/386	15.9/404	14.8/376	14.3/363	15.37/390	16.6/422	17/432	16.2/411
Weight (ounces/grams)	17/482	19/539	20.5/581* 19/535**	30/850	30/850	31/879	32/907	34/964	26.9/763* 28.5/808**	38/1077	39/1097 (approximate)	36/1021	36/1021	27.87/790
Mounting length (inches/mm)	5.4/137	5.7/145	5.1/130	6.1/155	6.2/157	6.6/168	6.6/168	6.7/170	5.79/147	6.13/156	5.92/150	5.5/140	5.9/150	6.4/162
Reticles available	FC-3G™ IHR™	IHR™ MOAR™ MIL-DOT LV™ MV™ HV™ MIL-R™	IHR™ MOAR™ MIL-DOT LV™ MV™ HV™ MIL-R™	MOAR™ MLR™ MIL-DOT LV.5™ HV™	NP-RF1™ MLR2.0™ MD2.0™ LV.5™ H59 (non-illuminated, low profile parallax adjustment)	MOAR™ MOAR-T MLR™ MIL-DOT	MOAR™ MOAR-T MLR™ MIL-DOT	MOAR™ MOAR-T™ MLR™ MIL-DOT	IHR™ MOAR™	MIL-R™ MOAR™	MOAR™ (F1) MIL-R™ (F1) MD2.0™ TReMoR2 H59	NP-R2™ NP-2DD™	NP-R2™ NP-2DD™	CTR-2™ CTR-3™ DDR-2™ FCR-1™
ZeroStop option available?	Yes	Yes	Yes	Yes	Standard	Yes	Yes	Yes	No	Standard	Standard	No	No	Standard



Heavyweight boxing

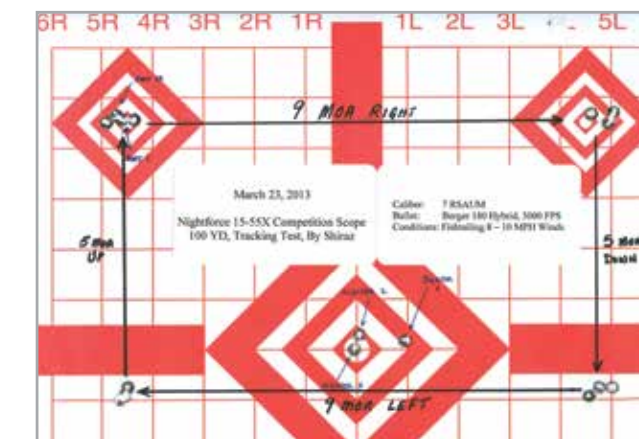
Shiraz Balolia, captain of the U.S. F-Class Open Rifle Team, conducted the "box test" below in March, 2013, using a new Nightforce 15-55x 52 Competition™ riflescope. A box test checks the tracking consistency and repeatability of a riflescope's adjustments.

Shiraz sighted his 7 RSAUM, using 180 gr. Berger Hybrid bullets, dead on at 100 yards (center target). He then placed one shot in the target at upper left. Keeping his aim point on the upper left target, he adjusted the windage nine MOA to the right and fired a shot. He then adjusted the elevation five MOA down, firing again. He moved the windage back to the left nine MOA, and fired an additional shot. To complete the "box," he adjusted five MOA up and placed another shot at the starting point. He went around the "box" two more times, firing one shot at each position. His last (thirteenth) shot was at the first target in the upper left.

"The results were perfect," Shiraz said. "Each shot landed where it was supposed to. The slight left to right was due to the fishtailing winds. The final thirteenth shot was almost on top of the first shot!"

A box test is one of the ultimate demonstrations of a riflescope's inherent quality, precision, and repeatability. In this case, Shiraz applied a full 84 minutes of windage and elevation travel, over 12 adjustments, with his last shot cutting the same hole as the first. Try a box test with any Nightforce riflescope and you'll get similar results.

It proves that Nightforce riflescopes will give you a lifetime of predictable accuracy and pinpoint repeatability. Right out of the box.



ACCESSORIES/RINGS & BASES

The finest riflescope in the world is only as good as its mounts. Using inferior mounts is simply asking for trouble, as they can cause stress and alignment problems that are extremely difficult to diagnose. Large-caliber rifles producing heavy recoil can also wreak havoc on poor-quality mounts.

All Nightforce rings and bases exceed military design specifications. Whether you prefer traditional steel or our Ultralite™ rings, they are tough, utterly precise, and the perfect match for for Nightforce riflescope. They are an investment in a lifetime of accuracy.



THE ONLY POSSIBLE WAY TO IMPROVE A NIGHTFORCE RIFLESCOPE.



30mm Ultralite™ four-screw



30mm Ultralite™ six-screw



34mm Ultralite™ four-screw



34mm Ultralite™ six-screw

Security now comes in four styles.

Our superb Ultralite™ rings are available in standard four-screw versions and our six-screw design which provides 50% more clamping force, perfect for the heaviest-recoiling rifles. The 30mm diameter fits our NXS,™ SHV,™ Competition™ and Precision Benchrest riflescopes. The 34mm diameter is perfect for our 5-25 x 56 ATACR™ and B.E.A.S.T.™ models. They will fit any brand's 30mm or 34mm tubes.

Nightforce steel rings

We make Nightforce steel rings to our own stringent, uncompromising specifications. Designed to fit Mil. Std. 1913 bases, we machine a load-bearing recoil lug on the grade eight crossbolt.

This lug precisely matches the machined cross lug of our Nightforce bases, providing perfect alignment and superior accuracy. Our steel rings are offered in four heights for 30mm diameter tubes.



Available in four heights:
.885"
1.00"
1.125"
1.375"

Available in six heights:
.885" (30mm only)
1.00"
1.125"
1.265" (30mm only)
1.375"
1.50"

Nightforce Ultralite™ rings

Nightforce Ultralite™ rings give you the performance of steel at half the weight. They are crafted of CNC machined 7075-T6 hard anodized black aluminum bodies with titanium beta series crossbolts and jaws. This unique construction provides exceptional strength well beyond that normally found in lightweight rings. Our Ultralite™ rings are offered in six heights for 30mm tubes, and in four heights to fit 34mm tubes.



Nightforce Direct Mount™

Available for short and long Remington 700 actions/30mm diameter:
.885"
1.0"
1.125"

The ultimate mounting solution for a dedicated scope/rifle combination.

With fewer moving parts, the Nightforce Direct Mount™ is more reliable and up to 45% lighter in weight than traditional mounting systems. It is, quite simply, the finest mount for Remington 700 actions ever made.

The Direct Mount™ one-piece system, built to mount directly to Remington 700 short or long actions, ensures true alignment and maximum strength for precision shooting.

The base and integral rings are CNC machined to precise tolerances from 7075-T6 hard anodized

aluminum, providing exceptional strength while reducing weight.

The Direct Mount's 20 MOA taper maximizes internal riflescope adjustment and long-range capability. It incorporates an integral recoil lug which prevents any movement of the base or stress on the screws while subjected to harsh recoil.

The Nightforce Direct Mount™ eliminates most common mounting problems. Alignment concerns vanish, and there is no need for lapping or cants. The entire mounting process is simpler and faster.



Front

Nightforce Ultralite™ Unimount™

Available in three heights/30mm diameter:
1.125"
1.375"
1.50"
1.375" Extended

Available in 34mm diameter, 1.44" height, in both Unimount™ and Extended Unimount.™

When a tough, reliable mounting system is required without adding substantial weight, the Nightforce Ultralite™ Unimount™ is the answer. It features a CNC machined 7075-T6 hard anodized aluminum body and titanium beta series crossbolts and jaws.

This unique construction combined with our state-of-the-art design provides the performance of steel at half the weight.

The Nightforce Unimount™ is designed to remain attached to the scope at all times, allowing quick removal and installation on different firearms.

It is the most accurate Mil. Std. 1913 mount available, incorporating a 20 MOA taper to maximize long-range capability (The Unimount™ MagMount™ has a zero degree taper). The Unimount™ is the ultimate mount for attaching to weapons with an integral Mil. Std. 1913 flat top-type receiver.

Precise tolerances ensure that the riflescope is not subjected to stress, strain or bending as the ring screws are tightened.



The Ultralite™ Extended Unimount™ is designed for shorter receivers and can provide additional eye relief.



The Ultralite™ MagMount™ adds a third crossbolt for even greater protection against recoil. It is offered in 1.375" height/30mm diameter and 1.44" height/34mm diameter versions. The 1.44" height of the 34mm MagMount™ allows clearance of 56mm objective riflescopes when mounted on a continuous rail. MagMounts™ have a zero degree taper.



Integral recoil lugs provide rock-solid security on Mil. Std. 1913 receivers.

ACCESSORIES

Our bases are precision CNC machined from a single billet of steel. They are designed to match the receiver contour, ensuring straight and true alignment. This also reduces the amount of internal adjustment required when zeroing your rifle. All Nightforce rings and bases exceed military design specifications. They are tough, reliable, utterly precise, and are the perfect match for your Nightforce riflescope.

Nightforce one-piece tapered steel bases

An integral recoil lug machined on the bottom of the base (Rem 700 and HS/700) provides a precise fit when bedded to rifle actions, preventing any movement of the base and eliminating recoil stress on screws holding the base to the receiver.

Our one-piece bases are machined to exact Mil. Std. 1913 specification rail dimensions. This design allows the same scope to be used on several different rifles, always optimizing eye relief. A 20 Minute of Angle (MOA) taper is standard, with a 40 MOA taper offered for Remington 700 bases. Designed for right- or left-hand actions, our bases are designed not to interfere with loading or extraction.

Nightforce two-piece tapered steel bases

Also made to Mil. Std. 1913 specifications, our two-piece bases are machined with a 20 MOA taper and finished with a matte black mil-spec coating. Allows mounting of scope to retain the maximum amount of internal elevation adjustment. This will allow you to shoot further and still maintain a 100 yard or less zero.

Nightforce gunsmith bases (steel or aluminum alloy)

These Mil. Std. 1913 base blanks allow you to customize the length, height, radius and hole spacing to your specific application. Standard taper is 20 MOA.



Nightforce Angle Degree Indicator with Mount

The Nightforce Angle Degree Indicator takes the guesswork out of uphill and downhill shots. Calibrated in degrees, it gives you an instant readout. It is available in two versions: (1) a two-piece, low-profile Mil-Std. 1913 mount for one-piece bases that allows easy installation without removing the scope (shown below); and (2) as part of our 30mm top ring bubble level system (above). It is simple, robust, and requires no batteries. Available in right-hand or left-hand rifle action configurations.



Top Ring Bubble Level/ADI

Replaces the top ring of our 30mm and 34mm Unimount™, Direct Mount™ and Ultralite™ rings, and our 30mm steel rings. Available with integral Angle Degree Indicator mount or as top ring/bubble level only.



The Bubble Level with integral ADI mount (A129) can be turned either way for left- or right-handed actions. The ADI itself must be ordered separately for left-handed (A119) or right-handed (A122) actions to ensure accurate readouts.



Top ring bubble level shown installed
A128

Bubble level with ADI mount
A129

Bubble level, ADI mount and ADI installed
A129 + A122 (sold separately)

Nightforce apparel

T-Shirts

Nightforce logo on front, AR-themed artwork on back. Green, khaki and black, sizes M, L, XL, XXL AND XXXL.



Caps

Black, khaki, green and orange with Nightforce logo on front. Complete with American flag and hanging loop on back. Low profile, ripstop texture.



Nightforce clamp-on PTL™

Our Power Throw Lever fits Nightforce NXS™ 15x, 22x, 32x and 42x riflescopes, allowing instant magnification changes, even while wearing gloves. Easily removed.



Nightforce cleaning kit

Everything you need to keep your optics in pristine condition. Includes soft lens brush, approved cleaning solution and microfiber cleaning cloth. Stores in handy travel case. Highly recommended for any fine optics.



Nightforce torque wrench

The perfect tool to ensure proper tightening of rings, bases, and other precision accessories to recommended specifications. Equal to 68 inch/lbs.



TS-82™ accessories

New! Our Top Ring Bubble Level/ADI is now available for Nightforce 34mm Unimount™, Direct Mount™ and Ultralite™ rings.



Quick-attach mounts adapt iPhone® 4 or 5 to the TS-82™ spotting scope. Allows superb high-resolution photography at long distances.



Mil-Std. 1913 rail allows attachment of wide range of accessories to the TS-82™ spotting scope.

30-60x wide angle eyepiece



PRODUCT REFERENCE

Part No. Product description

Optics



Part No.	Product description	NEW
C519	SHV 4-14x56 - .25MOA - IHR - Non Illuminated	NEW
C520	SHV 4-14x56 - .25MOA - MOAR - Non Illuminated	NEW
C521	SHV 4-14x56 - .25MOA - IHR - Center Only Illumination	NEW
C522	SHV 4-14x56 - .25MOA - MOAR - Center Only Illumination	NEW



Digillum

NXS™ Compact models—second focal plane reticles

C451	NXS - 1-4x24mm - .250 MOA - FC-3G - NVD - PTL
C452	NXS - 1-4x24mm - .250 MOA - IHR - NVD - PTL
C464	NXS - 1-4x24mm - ZeroStop™ - .250 MOA - FC-3G - NVD - PTL
C465	NXS - 1-4x24mm - ZeroStop™ - .250 MOA - IHR - NVD - PTL
C456	NXS - 2.5-10x32mm - .250 MOA - IHR - NVD - PTL
C468	NXS - 2.5-10x32mm - .250 MOA - MOAR - NVD - PTL
C455	NXS - 2.5-10x32mm - ZeroStop™ - .250 MOA - MOAR - NVD - PTL
C474	NXS - 2.5-10x32mm - ZeroStop™ - .250 MOA - IHR - NVD - PTL
C475	NXS - 2.5-10x32mm - ZeroStop™ - .250 MOA - LV - NVD - PTL
C476	NXS - 2.5-10x32mm - ZeroStop™ - .250 MOA - MV - NVD - PTL
C477	NXS - 2.5-10x32mm - ZeroStop™ - .250 MOA - HV - NVD - PTL
C453	NXS - 2.5-10x32mm - ZeroStop™ - .250 MOA - Mil-Dot - NVD - PTL
C478	NXS - 2.5-10x32mm - ZeroStop™ - .1 Mil-Radian - Mil-R - NVD - PTL
C454	NXS - 2.5-10x32mm - ZeroStop™ - .1 Mil-Radian - Mil-Dot - NVD - PTL
C502	NXS - 2.5-10x42mm - .250 MOA - IHR - Non Illuminated - PTL
C459	NXS - 2.5-10x42mm - .250 MOA - MOAR - Digillum™ - PTL
C460	NXS - 2.5-10x42mm - .250 MOA - IHR - Digillum™ - PTL
C480	NXS - 2.5-10x42mm - .250 MOA - LV - Digillum™ - PTL
C481	NXS - 2.5-10x42mm - .250 MOA - MV - Digillum™ - PTL
C482	NXS - 2.5-10x42mm - .250 MOA - HV - Digillum™ - PTL
C458	NXS - 2.5-10x42mm - ZeroStop™ - .250 MOA - MOAR - Digillum™ - PTL
C483	NXS - 2.5-10x42mm - ZeroStop™ - .250 MOA - IHR - Digillum™ - PTL
C484	NXS - 2.5-10x42mm - ZeroStop™ - .250 MOA - LV - Digillum™ - PTL
C485	NXS - 2.5-10x42mm - ZeroStop™ - .250 MOA - MV - Digillum™ - PTL
C486	NXS - 2.5-10x42mm - ZeroStop™ - .250 MOA - HV - Digillum™ - PTL
C461	NXS - 2.5-10x42mm - ZeroStop™ - .1 Mil-Radian - Mil-R - Digillum™ - PTL
C488	NXS - 2.5-10x42mm - ZeroStop™ - .1 Mil-Radian - Mil-Dot - Digillum™ - PTL

Part No. Product description



Part No.	Product description
C427	NXS - 3.5-15x50mm - .250 MOA - MOAR
C429	NXS - 3.5-15x50mm - ZeroStop™ - .250 MOA - MOAR
C393	NXS - 3.5-15x50mm - ZeroStop™ - .250 MOA - LV.5
C395	NXS - 3.5-15x50mm - ZeroStop™ - .250 MOA - HV
C132	NXS - 3.5-15x50mm - ZeroStop™ - .1 Mil-Radian - MLR
C142	NXS - 3.5-15x50mm - ZeroStop™ - .1 Mil-Radian - Mil-Dot



NXS F1 15x models—first focal plane reticles

Part No.	Product description
C355	NXS - 3.5-15x50mmF1 - ZeroStop™ - .250 MOA - NP-RF1
C356	NXS - 3.5-15x50mmF1 - ZeroStop™ - .250 MOA - LV.5
C359	NXS - 3.5-15x50mmF1 - ZeroStop™ - .1 Mil-Radian - MLR2.0
C360	NXS - 3.5-15x50mmF1 - ZeroStop™ - .1 Mil-Radian - MD2.0
C442	NXS - 3.5-15x50mmF1 - ZeroStop™ - .1 Mil-Radian - H59 (non-Illum)



NXS 22x models—second focal plane reticles

C431	NXS - 5.5-22x50mm - .250 MOA - MOAR
C504	NXS - 5.5-22x50mm - .250 MOA - MOAR-T
C433	NXS - 5.5-22x50mm - ZeroStop™ - .250 MOA - MOAR
C505	NXS - 5.5-22x50mm - ZeroStop™ - .250 MOA - MOAR-T
C202	NXS - 5.5-22x50mm - ZeroStop™ - .1 Mil-Radian - MLR
C196	NXS - 5.5-22x50mm - ZeroStop™ - .1 Mil-Radian - Mil-Dot
C432	NXS - 5.5-22x56mm - .250 MOA - MOAR
C506	NXS - 5.5-22x56mm - .250 MOA - MOAR-T
C434	NXS - 5.5-22x56mm - ZeroStop™ - .250 MOA - MOAR
C507	NXS - 5.5-22x56mm - ZeroStop™ - .250 MOA - MOAR-T
C374	NXS - 5.5-22x56mm - ZeroStop™ - .250 MOA - HV.5
C375	NXS - 5.5-22x56mm - ZeroStop™ - .250 MOA - HVM
C376	NXS - 5.5-22x56mm - ZeroStop™ - .250 MOA - HVM.5
C377	NXS - 5.5-22x56mm - ZeroStop™ - .250 MOA - UHV
C378	NXS - 5.5-22x56mm - ZeroStop™ - .250 MOA - UHV.5
C237	NXS - 5.5-22x56mm - ZeroStop™ - .1 Mil-Radian - MLR
C244	NXS - 5.5-22x56mm - ZeroStop™ - .1 Mil-Radian - Mil-Dot

Part No. Product description



Part No.	Product description	NEW
C524	NXS - 8-32x56mm - .125 MOA - MOAR-T	NEW
C438	NXS - 8-32x56mm - .250 MOA - MOAR	
C508	NXS - 8-32x56mm - .250 MOA - MOAR-T	NEW
C437	NXS - 8-32x56mm - ZeroStop™ - .250 MOA - MOAR	
C509	NXS - 8-32x56mm - ZeroStop™ - .250 MOA - MOAR-T	NEW
C350	NXS - 8-32x56mm - ZeroStop™ - .250 MOA - NP-2DD	
C353	NXS - 8-32x56mm - ZeroStop™ - .1 Mil-Radian - MLR	
C354	NXS - 8-32x56mm - ZeroStop™ - .1 Mil-Radian - Mil-Dot	



ATACR™ 25x models - second focal plane reticles - 34mm tube

C445	ATACR - 5-25x56mm - ZeroStop™ - .250 MOA - MOAR
C446	ATACR - 5-25x56mm - ZeroStop™ - .1 Mil-Radian - Mil-R



B.E.A.S.T.™ 5-25x F1 models - first focal plane reticles

Part No.	Product description
C450	B.E.A.S.T. 5-25x56mmF1 - ZeroStop™ - i4F™ - MOA - Brake - MOAR
C448	B.E.A.S.T. 5-25x56mmF1 - ZeroStop™ - i4F™ - Mil-Radian - Brake - Mil-R
C501	B.E.A.S.T. 5-25x56mmF1 - ZeroStop™ - i4F™ - Mil-Radian - Brake - MD2.0
C489	B.E.A.S.T. 5-25x56mmF1 - ZeroStop™ - i4F™ - Mil-Radian - Brake - TReMoR2
C449	B.E.A.S.T. 5-25x56mmF1 - ZeroStop™ - i4F™ - Mil-Radian - Brake - H59

Please note: we are temporarily not accepting new orders for B.E.A.S.T.™ riflescopes.



Benchrest 32x model - second focal plane reticles

C112	NF - 8-32x56mm - .125 MOA - NP-R2
C111	NF - 8-32x56mm - .125 MOA - NP-2DD

Part No. Product description



Part No.	Product description
C104	NF - 12-42x56mm - .125 MOA - NP-R2
C107	NF - 12-42x56mm - .125 MOA - NP-2DD



Competition™ 55x model - second focal plane reticles

C511	Comp - Black - 15-55x52mm - ZeroStop™ - .125 MOA - CTR-2	NEW
C512	Comp - Black - 15-55x52mm - ZeroStop™ - .125 MOA - CTR-3	NEW
C513	Comp - Black - 15-55x52mm - ZeroStop™ - .125 MOA - DDR-2	NEW
C514	Comp - Black - 15-55x52mm - ZeroStop™ - .125 MOA - FCR-1	NEW



TS-82™ Xtreme Hi-Def™ 20-70x Spotting Scope

SP100	TS-82™ - Xtreme Hi-Def™ - Straight - with 20-70x eyepiece
SP101	TS-82™ - Xtreme Hi-Def™ - Angled - with 20-70x eyepiece

Accessories



TS-82™ Spotting Scope Accessories

A280	20-70x Eyepiece, TS-82 Spotter	NEW
A275	30-60x Wide Angle Eyepiece, TS-82 Spotter	NEW
A278	Straight Body, TS-82 Spotter	NEW
A279	Angled Body, TS-82 Spotter	NEW
A274	Accessory Rail, 1913 Mil-Standard, Spotter	NEW
A276	iPhone Adapter, Spotting Scope, iPhone® 4/4S	NEW
A277	iPhone Adapter, Spotting Scope, iPhone® 5	NEW
A281	Lens Cap Set, TS-82 Spotter	NEW
A282	Knurled Grommets (Set), TS-82 Spotter	NEW

Part No. Product description

30mm accessories



Nightforce rings (steel)

A117	Ring Set - .885" Low - 30mm - Steel
A100	Ring Set - 1.0" Medium - 30mm - Steel
A104	Ring Set - 1.125" High - 30mm - Steel
A109	Ring Set - 1.375" X-High - 30mm - Steel



Nightforce Ultralite™ rings - 30mm (titanium/alloy)

A118	Ring Set - .885" Low - 30mm - Ultralite™, 4 screw
A101	Ring Set - 1.0" Medium - 30mm - Ultralite™, 4 screw
A107	Ring Set - 1.125" High - 30mm - Ultralite™, 4 screw
A108	Ring Set - 1.265" Intermediate - 30mm - Ultralite™, 4 screw
A110	Ring Set - 1.375" X-High - 30mm - Ultralite™, 4 screw
A203	Ring Set - 1.5" Extreme - 30mm - Ultralite™, 4 screw
A264	Ring Set - .885" Low - 30mm - Ultralite™, 6 screw
A265	Ring Set - 1.0" Medium - 30mm - Ultralite™, 6 screw
A266	Ring Set - 1.125" High - 30mm - Ultralite™, 6 screw
A267	Ring Set - 1.265" Intermediate - 30mm - Ultralite™, 6 screw
A268	Ring Set - 1.375" X-High - 30mm - Ultralite™, 6 screw
A269	Ring Set - 1.5" X-Treme - 30mm - Ultralite™, 6 screw



Ultralite™ Unimount™ 30mm (titanium/alloy)

A190	Unimount™ 1.125" - 20 MOA - 30mm
A191	Unimount™ 1.375" - 20 MOA - 30mm
A221	Unimount™ 1.5" - 20 MOA - 30mm
A192	Extended Unimount™ 1.375" - 20 MOA - 30mm



Ultralite™ One-Piece MagMount™ 30mm (titanium/alloy)

A256	Magmount™ 1.375" - 0 MOA - 3 Jaw/Nut - 30mm
------	---

Above items mount to 1913 Mil-Standard rail/base

Part No. Product description



Nightforce Direct Mount™ 30mm (titanium/alloy)

A220	Direct Mount - Rem 700 SA .885" Low - 20 MOA - 30mm
A103	Direct Mount - Rem 700 SA 1.0" Med. - 20 MOA - 30mm
A106	Direct Mount - Rem 700 SA 1.125" High - 20 MOA - 30mm
A219	Direct Mount - Rem 700 LA .885" Low - 20 MOA - 30mm
A102	Direct Mount - Rem 700 LA 1.0" Med. - 20 MOA - 30mm
A105	Direct Mount - Rem 700 LA 1.125" High - 20 MOA - 30mm

Direct Mount attaches to respective Remington 700 actions

34mm accessories



Nightforce Ultralite™ rings - 34mm (titanium/alloy)

A223	Ring Set - 1.0" Medium - 34mm - Ultralite™, 4 screw
A224	Ring Set - 1.125" High - 34mm - Ultralite™, 4 screw
A226	Ring Set - 1.375" X-High - 34mm - Ultralite™, 4 screw
A227	Ring Set - 1.5" Extreme - 34mm - Ultralite™, 4 screw
A208	Ring Set - 1.0" Medium - 34mm - Ultralite™, 6 screw
A210	Ring Set - 1.125" High - 34mm - Ultralite™, 6 screw
A214	Ring Set - 1.375" X-High - 34mm - Ultralite™, 6 screw
A216	Ring Set - 1.5" X-Treme - 34mm - Ultralite™, 6 screw



Ultralite™ Unimount™ - 34mm (titanium/alloy)

A194	Extended Unimount™ 1.44" - 20 MOA - 34mm
A257	Unimount™ 1.44" - 20 MOA - 34mm



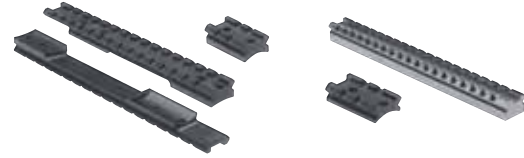
Ultralite™ One-piece MagMount™ - 34mm (titanium/alloy)

A162	MagMount™ 1.44" - 0 MOA - 3 Jaw/Nut - 34mm
------	--

Above items mount to 1913 Mil-Standard rail/base

PRODUCT REFERENCE

Part No. Product description



Nightforce bases (steel)	
A115	Base - Rem 700 SA - 1 pc. - 20 MOA
A116	Base - Rem 700 SA - 1 pc. - 40 MOA
A112	Base - Rem 700 LA - 1 pc. - 20 MOA
A113	Base - Rem 700 LA - 1 pc. - 40 MOA
A114	Base - Rem 700 SA - 2 pc. - 20 MOA
A111	Base - Rem 700 LA - 2 pc. - 20 MOA
A146	Base - HS 700 SA - 1 pc. - 20 MOA (8-40 screws)*
A150	Base - HS 700 SA - 1 pc. - 40 MOA (8-40 screws)*
A135	Base - HS 700 LA - 1 pc. - 20 MOA (8-40 screws)*
A139	Base - HS 700 LA - 1 pc. - 40 MOA (8-40 screws)*
A198	Base - Win 70 SA - 1 pc. - 20 MOA
A196	Base - Win 70 LA - 1 pc. - 20 MOA
A199	Base - Win 70 Short Mag - 1 pc. - 20 MOA
A168	Base - Sav SA New Style - 1 pc. - 20 MOA (6-48 screws)
A165	Base - Sav LA New Style - 1 pc. - 20 MOA (6-48 screws)
A230	Base - Sav LA New Style - 1 pc. - 20 MOA (8-40 screws)
A229	Base - Sav SA New Style - 2 pc. - 20 MOA (6-48 screws)
A222	Base - Sav LA New Style - 2 pc. - 20 MOA (6-48 screws)
A131	Aluminum - 1 pc. Blank - 20 MOA
A132	Steel - 1 pc. Blank - 20 MOA

*Does not mount on left-hand HS Precision bolt actions



Nightforce spare components	
A127	Metal lens caps for Benchrest/NF models (set)
A260	Metal lens caps for COMPETITION models - Black (set)
A200	Rubber lens caps - NXS 24mm (set)
A259	Rubber lens caps - NXS 32mm (set)
A285	Rubber lens caps - NXS 42mm (set)
A201	Rubber lens caps - NXS 50mm (set)
A202	Rubber lens caps - NXS 56mm (set)
V623	3" Sunshade (Benchrest/NF)
V171	3" Sunshade - 50mm (NXS)
V310	3" Sunshade - 56mm (NXS, ATACR, B.E.A.S.T., SHV)
V960	3" Sunshade - 52mm (COMPETITION)

Part No. Product description



Miscellaneous accessories	
A128	Top Half of Ring w/ Level
A129	Top Half of Ring w/ Level & Mount
A270	Top Half of Ring w/ Level - 34mm, 4 Screw
A271	Top Half of Ring w/ Level & Mount - 34mm, 4 Screw
A272	Top Half of Ring w/ Level - 34mm, 6 Screw
A273	Top Half of Ring w/ Level & Mount - 34mm, 6 Screw
A119	Angle Degree Indicator - LH (For left-hand actions)
A122	Angle Degree Indicator - RH (For right-hand actions)
A120	Angle Degree Indicator w/ Mount - LH (For left-hand actions)
A121	Angle Degree Indicator w/ Mount - RH (For right-hand actions)
A163	1913 Mil-Spec Mount for Angle Degree Indicator
A179	Torque Wrench - 68 Inch/Lb
A130	Optical Cleaning Kit
A133	Fob Lens Cloth
A287	Clamp-on Power Throw Lever (Non-Enhanced Compacts) NEW
A288	Clamp-on Power Throw Lever (NXS 15x, 22x, 32x, 42x) NEW

Factory conversions/modifications (call for RMA code)

LS106	.250 MOA Hi-Speed Conversion - NXS 15, 22, 32x (20 MOA/ Revolution)
LS107	.125 MOA Hi-Speed Conversion - NXS 32, 42x (10 MOA/Revolution)
LS100	.250 MOA Hi-Speed ZeroStop
LS114	.125 MOA Hi-Speed Conversion - COMP (10 MOA/Revolution) NEW
LS102	.1 Mil-Radian ZeroStop - NXS
LS103	Reticle Change - 2nd Focal Plane - NXS
LS109	Reticle Change - 2nd Focal Plane - ATACR
LS115	Reticle Change - 2nd Focal Plane - COMPETITON NEW
LS104	Reticle Change - 1st Focal Plane - NXS
LS110	Reticle Change - 1st Focal Plane - NXS - Horus H59
LS111	Reticle Change - 1st Focal Plane - B.E.A.S.T.
LS112	Reticle Change - 1st Focal Plane - B.E.A.S.T. - Horus H59
LS113	Reticle Change - 1st Focal Plane - B.E.A.S.T. - Tremor 2

Part No. Product description

Apparel



Hats	
A251	Hat, Black Ripstop, Embroidered
A252	Hat, Tan Ripstop, Embroidered
A253	Hat, OD Green Ripstop, Embroidered
A254	Hat, Orange Ripstop, Embroidered



T-Shirts	
A172	T-Shirt, Medallion, Black, Medium
A171	T-Shirt, Medallion, Black, Large
A173	T-Shirt, Medallion, Black, X-Large
A169	T-Shirt, Medallion, Black, XX-Large
A170	T-Shirt, Medallion, Black, XXX-Large
A232	T-Shirt, AR Themed, Black, Medium
A233	T-Shirt, AR Themed, Black, Large
A234	T-Shirt, AR Themed, Black, XL
A235	T-Shirt, AR Themed, Black, XXL
A236	T-Shirt, AR Themed, Black, XXXL
A238	T-Shirt, AR Themed, Khaki, Medium
A239	T-Shirt, AR Themed, Khaki, Large
A240	T-Shirt, AR Themed, Khaki, XL
A241	T-Shirt, AR Themed, Khaki, XXL
A242	T-Shirt, AR Themed, Khaki, XXXL
A244	T-Shirt, AR Themed, Green, Medium
A245	T-Shirt, AR Themed, Green, Large
A246	T-Shirt, AR Themed, Green, XL
A247	T-Shirt, AR Themed, Green, XXL
A248	T-Shirt, AR Themed, Green, XXXL



Almost the entire United States F-Class Open Rifle Team continues to rely upon Nightforce in all major matches, including the World Championships.



Helping an eye doctor see his way to a trophy

Jerry O. Bush, O.D., an ophthalmologist in Colorado, was getting close to leaving for a once-in-a-lifetime hunt for argali sheep in Kazakhstan. Trouble is, the 2.5-10 x 32 NXS Compact he had ordered, equipped with a Velocity™ 600 MV reticle, had not yet arrived.

The Nightforce customer service team located a 2.5-10 x 32 in the inventory of Jim Wilcox, owner of A Pawn Shop and a Nightforce dealer. Jim kindly provided it to us. The factory replaced that riflescope's Mil-Dot reticle with the Velocity™ 600 Dr. Bush required, and got it to him within a week—leaving time for Dr. Bush to zero his rifle and finish packing.

The result is shown here. "I want to thank you for taking such good care of me," Dr. Bush wrote. To "change out the reticle... and have it back to me in seven days flat... that is unheard of!"

"I felt totally comfortable taking the only shot I had at 623 yards. Thanks again... I own nine Nightforce scopes and have another 2.5-10 Compact on order."



A 61.5" bull is no bull

Brice Folden, host of Wild TV's popular Flatliners series, took the kudu bull of a lifetime during a 2013 hunt in Namibia. Most hunters of Africa will never see a kudu this size, let alone shoot one. He used a 2.5-10 x 32 NXS™ Compact, crediting its durability for surviving baggage handlers and a trip halfway around the world. "My Nightforce scope had not moved from point of impact at all," he said. "With 100% honesty I can say that Nightforce scopes are the finest I have ever hunted with."



The future is in good hands

Rory Jacobs is quite the young man. He was the 2012 Junior National Two-Gun Champion, Junior Shooter of the Year and points leader. He finished 6th in heavy gun score, 14th in heavy gun group and 7th in heavy gun overall.

While we're pleased that Rory uses Nightforce, we're even more proud to see fine young men like this carry on the tradition of American marksmanship.

Young people like Rory are the greatest asset we have, to our sport and to our nation. Don't miss any opportunity to properly introduce a youth to the shooting sports. The future of hunting, shooting, and firearm ownership in America depends upon them.



874-yard elk

George Drake took this outstanding Idaho bull at the remarkable distance of 874 yards, using a Nightforce 5.5-22 x 56 NXS™ with MOAR™ reticle atop his .338 Ultra Mag loaded with 300 gr. Berger bullets. A fine elk, and a fine example of precision shooting.

When is "long range" too long?

Because high-magnification Nightforce riflescopes were originally designed for highly trained professional sharpshooters, they are capable of remarkable accuracy at extreme distances. For the hunter, this means that killing shots at game previously "out of range" are now possible... but only if the hunter is intimately familiar with his rifle, his loads, rangefinding techniques, and after extensive practice. Nightforce riflescopes will put extreme long-range capability in the hunter's hands. It is up to the hunter to use this capability wisely and ethically, like the individuals you see pictured in our catalog have done.

THEY ARE NIGHTFORCE

The Nightforce corporate headquarters, manufacturing, R&D, engineering and finance departments are found in the delightful small town of Orofino, Idaho... a sportsman's paradise, and the perfect place to field test Nightforce riflescopes.



If you have a technical question, a problem, or any concern regarding one of our riflescopes, the four gentlemen at left will have the answer... or know where to find it in a hurry. Left to right, the Nightforce customer service department is Skott Mealer, Sonny Rossini, Bill Wortman, and Mark Bonnalie.



The only true measure of any company is the quality of its people. By that standard, Nightforce is a very good company, indeed.

Most of our people are avid shooters. Many are dedicated hunters. Every one of them shares a passion for creating the finest riflescopes on earth... and taking exceptional care of the customers who use them. Our staff will tell you that it is a rare thing, to be able to combine what you do for a living with what you do for fun. It shows in their enthusiasm, in the way they help our clients, and in the products they create and sell.

This catalog is dedicated to our people, and to all the extraordinary work they do. *They* are Nightforce.

When you inquire about sales, dealer support, military and law enforcement or international sales, the Nightforce sales and marketing department in Lavonia, Georgia, will take good care of you. They are, left to right:

Tanya Ramos, Kyle Brown, Alan Stilwell, Robby Benedict, Matt Reed, Matthew Bradford, Gena Eaton, Butch Whisenant, Dewie Vieira, Bill Bracken, Jerry Davenport, Keven Huckabaa, Tod Litt, Sean Murphy.



Factory/Headquarters U.S.A.

Customer Service, Technical & Warranty:

Nightforce Optics, Inc.
336 Hazen Lane
Orofino, ID 83544
tel 208.476.9814 • fax 208.476.9817
info@nightforceoptics.com

North American Dealer Sales:

Nightforce Optics, Inc.
2749 Providence Church Road
Lavonia, GA 30553
tel 706.434.8950 • fax 706.449.0930
dealersales@nightforceoptics.com

Military, Government & Law Enforcement:

Nightforce Optics, Inc.
2749 Providence Church Road
Lavonia, GA 30553
tel 706.434.8953 • fax 706.449.0931
militaryinfo@nightforceoptics.com

European, Asian & African Sales:

Nightforce Optics, Inc.
2749 Providence Church Road
Lavonia, GA 30553
tel 706.434.8952 • fax 706.449.0930
intlsales@nightforceoptics.com

Australian & South Pacific Sales:

Nightforce Optics
28 Orsmond Street
Hindmarsh, SA 5007 Australia
tel +61 (0)8 8440 0888
fax +61 (0)8 8346 0504

International Warranty & Service:

Please contact your country's authorized Nightforce Optics distributor and/or retailer for instructions. A list of international distributors and dealers can be found at www.NightforceOptics.com.



A Lightforce company

www.NightforceOptics.com

Lightforce USA, dba Nightforce Optics, Inc.

© Nightforce Optics, Inc. 2014 1/14 All information herein is accurate at time of printing. Specifications and product appearances subject to change without notice.

NIGHTFORCE IS ON THE AIR!

We participate in a select group of shooting- and hunting-related television shows which we believe incorporate the most advanced technology, utilize superb production standards, and take you on the most exciting adventures. We invite you to watch Nightforce in action on this fine programming.



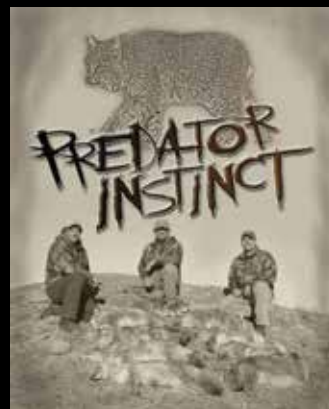
Hosts Bob & Christine Beck



Hosts Mike & Aaron Davidson



Hosts (L to R) Clint Ferguson, Cal Ferguson and Todd Woodall



Hosts (L to R) Abner Druckenmiller, Al Morris, Mike Dillon and Steve Dillon



Host Brice Folden



Riflescopes and accessories listed within are controlled for export by the U.S. Department of State, under the International Traffic In Arms (ITAR) regulations (22 CFR, Parts 120-130), and/or the Department of Commerce under the Bureau of Industry and Security Export Administration Regulations (15 CFR, Parts 730-774). To export these products outside of the United States of America, you must comply with the regulatory agency's license and documentation requirements. Nightforce does not authorize or allow United States domestic dealers/distributors to export Nightforce products outside of the United States and its territories.