



**Thermador**<sup>®</sup> | *An American Icon*<sup>™</sup>

TRADE PRODUCT GUIDE

*Thermador*® | *An American Icon*™

# TRUE COOKING EXCELLENCE

For more than seven decades, Thermador has been making the American kitchen more beautiful, more functional and more luxurious, with meticulously crafted appliances designed and engineered to appeal to the most discriminating culinary enthusiasts. By specifying our award-winning appliances for your projects, you're choosing superior craftsmanship, engineering and performance that discerning homeowners who have a passion for cooking truly appreciate. Thermador—empowering the cooking enthusiast for 75 years.



PROFESSIONAL SERIES PRO GRAND® 27" DEPTH RANGES Dual-Fuel & All-Gas



30"



all-gas: PRG304EG  
dual-fuel: PRD304EG  
LP: PRL304EG



36"



all-gas: PRG364EDG  
dual-fuel: PRD364EDG  
LP: PRL364EDG



all-gas: PRG364ELG  
dual-fuel: PRD364ELG  
LP: PRL364ELG



all-gas: PRG366EG  
dual-fuel: PRD366EG  
LP: PRL366EG



48"



all-gas: PRG486EDG  
dual-fuel: PRD486EDG  
LP: PRL486EDG



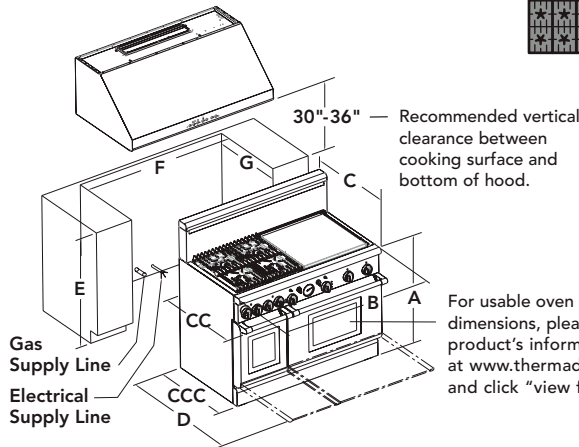
all-gas: PRG486ELG  
dual-fuel: PRD486ELG  
LP: PRL486ELG



all-gas: PRG484ECG  
dual-fuel: PRD484ECG  
LP: PRL484ECG



dual-fuel: PRD484EEG



FEATURES & BENEFITS

- Extra-large oven for superior capacity
- Star® Burners for more even heating
- Integrated professional-style temperature gauge
- Multiple configurations to suit all cooking styles

Model No.	Overall Dimensions						Cutout Dimensions*			Oven Cap.
	A**	B	C <sup>†</sup>	CC	CCC	D	E	F	G	
PR_304EG	35 <sup>7</sup> / <sub>8</sub> to 36 <sup>3</sup> / <sub>4</sub>	29 <sup>7</sup> / <sub>8</sub>	29 <sup>1</sup> / <sub>2</sub>	32 <sup>5</sup> / <sub>8</sub>	27 <sup>1</sup> / <sub>8</sub>	47 <sup>3</sup> / <sub>8</sub>	35 <sup>7</sup> / <sub>8</sub> to 36 <sup>3</sup> / <sub>4</sub>	30	24 to 25 <sup>1</sup> / <sub>2</sub>	4.6 cu. ft.
PR_364EDG	35 <sup>7</sup> / <sub>8</sub> to 36 <sup>3</sup> / <sub>4</sub>	35 <sup>7</sup> / <sub>8</sub>	29 <sup>1</sup> / <sub>2</sub>	32 <sup>5</sup> / <sub>8</sub>	27 <sup>1</sup> / <sub>8</sub>	47 <sup>3</sup> / <sub>8</sub>	35 <sup>7</sup> / <sub>8</sub> to 36 <sup>3</sup> / <sub>4</sub>	36	24 to 28 <sup>3</sup> / <sub>8</sub>	5.1 cu. ft.
PR_364ELG										
PR_366EG										
PR_484ECG	35 <sup>7</sup> / <sub>8</sub> to 36 <sup>3</sup> / <sub>4</sub>	47 <sup>7</sup> / <sub>8</sub>	29 <sup>1</sup> / <sub>2</sub>	32 <sup>5</sup> / <sub>8</sub>	27 <sup>1</sup> / <sub>8</sub>	47 <sup>3</sup> / <sub>8</sub>	35 <sup>7</sup> / <sub>8</sub> to 36 <sup>3</sup> / <sub>4</sub>	48	24 to 25 <sup>1</sup> / <sub>2</sub>	2.5/5.1 cu. ft.
PR_486EDG										
PR_486ELG										
PRD484EEG										

Back Guard Options***	22" High Back Shelf	12" Low Back Guard	9" Back Guard	3 5/8" Trim Piece
30" Range	HS30R	N/A	Included	IT30R/ITDF30R"
36" Range	HS36R	LB36R	N/A	IT36R/ITDF36R"
48" Range	HS48R	LB48R	N/A	IT48R/ITDF48R"

General Information	Dual-Fuel Range			All-Gas Range			LP Range		
	30"	36"	48"	30"	36"	48"	30"	36"	48"
120 Volts, 3 Prong Plug, 60 Hz, Single Phase A.C., 20 Amps				15 Amps	15 Amps	15 Amps	15 Amps	15 Amps	15 Amps
120/240 or 120/208 Volts, 4 Wire, 60 Hz, Single Phase	35 Amps	40 Amps	50 Amps	Griddle Units-20 Amps			Griddle Units-20 Amps		

L.P. Converter orifices - PRD ranges order (PLPKIT). Black Knob Kit (KNOBBLKG) or Blue Knob Kit (KNOBBLUG) ordered separately. All-Gas Self-Cleaning PRG Ranges factory (NG) Natural Gas or factory (LP) Liquid Propane ordered separately. Go to [Thermador.com](http://Thermador.com) for complete list of accessories.

Notes: 1) All height, width and depth dimensions are shown in inches. 2) Oven doors should be removed for doorway clearance. \*Please refer to installation instructions prior to making cutout. Installation instructions and back guard information are available at [www.thermador.com](http://www.thermador.com). \*\*Height without back guard or high shelf. \*\*\*You must install your professional range with one of the back guards listed above. They are ordered separately — except for the 30" range, which comes standard with a 9" back guard. Approved for residential use only. †Measured to front of bullnose. ††Dual-Fuel Ranges only.

Please check [sweets.com](http://sweets.com) or [thermador.com](http://thermador.com) for a complete list of products, installation instructions, and up-to-date information.

PROFESSIONAL SERIES PRO HARMONY™ 24" DEPTH RANGES Dual-Fuel & All-Gas



30"



all-gas: PRG304EH  
dual-fuel: PRD304EHU  
LP: PRL304EH



36"



all-gas: PRG364EDH  
dual-fuel: PRD364EDHU  
LP: PRL364EDH



48"



dual-fuel: PRD486EDHU

FEATURES & BENEFITS

Electronic oven control for superior accuracy

2-hour rapid self-cleaning (dual-fuel models only)

Star® burners for more even heating

Truly flush mounted design that fits standard cabinetry



all-gas: PRG364ELH  
dual-fuel: PRD364ELHU  
LP: PRL364ELH



all-gas: PRG366EH  
dual-fuel: PRD366EHU  
LP: PRL366EH



dual-fuel: PRD486ELHU



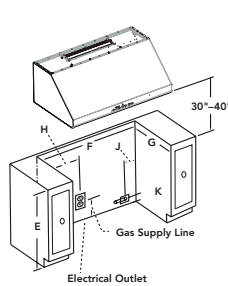
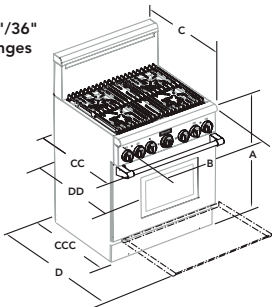
dual-fuel: PRD484ECHU



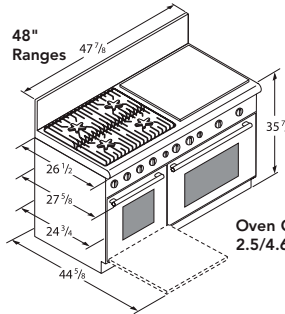
dual-fuel: PRD484EEHU

Visit Thermador.com for cutout dimensions.

30"/36"  
Ranges



48"  
Ranges



Oven Capacity  
2.5/4.6 cu. ft.

Overall Dimensions

Cutout Dimensions\*

Oven Cap.

Model	A**	B	C†	CC	CCC	D	DD	E	F	G	H	I	J	K	Oven Cap.
30"	35 <sup>7</sup> / <sub>8</sub> to 36 <sup>3</sup> / <sub>4</sub>	30	26 <sup>1</sup> / <sub>2</sub>	27 <sup>5</sup> / <sub>8</sub>	23	44 <sup>7</sup> / <sub>8</sub>	24 <sup>3</sup> / <sub>4</sub>	35 <sup>7</sup> / <sub>8</sub> to 36 <sup>3</sup> / <sub>4</sub>	30 <sup>1</sup> / <sub>4</sub>	24	6	8	6	1 <sup>3</sup> / <sub>4</sub>	4.4 cu. ft.
36"	35 <sup>7</sup> / <sub>8</sub> to 36 <sup>3</sup> / <sub>4</sub>	36	26 <sup>1</sup> / <sub>2</sub>	27 <sup>5</sup> / <sub>8</sub>	23	44 <sup>7</sup> / <sub>8</sub>	24 <sup>3</sup> / <sub>4</sub>	35 <sup>7</sup> / <sub>8</sub> to 36 <sup>3</sup> / <sub>4</sub>	36 <sup>1</sup> / <sub>4</sub>	24	6	8	6	1 <sup>3</sup> / <sub>4</sub>	5 cu. ft.

Back Guard Options***	30" Dual-Fuel Range	36" Dual-Fuel Range	48" Dual-Fuel Range	30" All-Gas/LP Range	36" All-Gas/LP Range
22" High Back Shelf	PAD30EHS	PAD36EHS	PAD48EHS	PAG30EHS	PAG36EHS
12" Low Back Guard	N/A	N/A	N/A	N/A	PAG36ELB
9" Low Back Guard	N/A	PAD36ELB	PAD48ELB	N/A	N/A
6" Back Guard	Included	N/A	N/A	Included	N/A
3" Island Trim Piece	PAD30EIT	PAD36EIT	PAD48EIT	PAG30EIT	PAG36EIT

General Information	Dual-Fuel Range			All-Gas Range	LP Range	
	30"	36"	48"	30" and 36"	30"	36"
120 Volts, 3 Prong Plug, 60 Hz, Single Phase A.C., 15 Amp				15 Amps	15 Amps	20 Amps
120/240 or 120/208 Volts, 4 Wire, 60 Hz, Single Phase	35 Amps	40 Amps	50 Amps	Griddle Units-20 Amps	Griddle Units-20 Amps	

L.P. Converter orifices - PRD ranges order (PLPKIT). All-Gas Ranges are factory (NG) Natural Gas or ordered factory (LP) Liquid Propane separately. Black Knob Kit (KNOBBLKHC) or Blue Knob Kit (KNOBBLUHC) ordered separately. Visit thermador.com for a complete list of Professional accessories.

Notes: All height, width and depth dimensions are shown in inches. \*Please refer to installation instructions prior to making cutout. \*\*Height without back guard or high shelf. \*\*\*You must install your professional range with one of the back guards listed above. They are ordered separately—except for the 30" range, which comes standard with a 6" back guard. Approved for residential use only. †Measured to front of bullnose.

PROFESSIONAL SERIES COOKTOPS



30"



PCG304E



36"



PCG364ED



PCG364EL



PCG366E



48"



PCG486ED



PCG486EL



PCG484EC



PCD484EE



PCG484EW



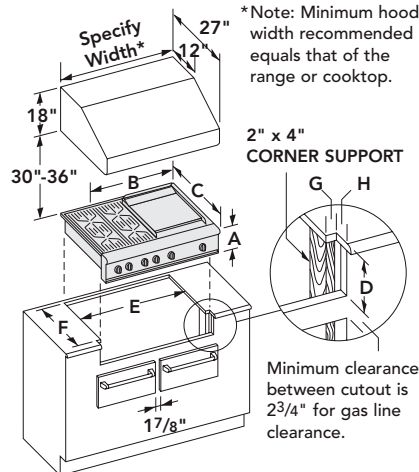
24"

PCG24EW



24"

PCD24EE



FEATURES & BENEFITS

Multiple configurations to suit all cooking styles

Star® Burners for more even heating

Titanium-coated griddle and grill wipe clean and look great over time.

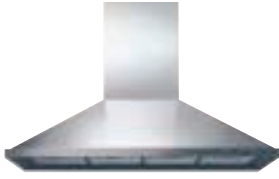
Model No.	BTU/hr	Overall Dimensions			Cutout Dimensions*					General Information			
		A	B	C	D	E	F(min.)	G	H	Elec.	Fuel Type	Ship Wt. (lbs.)	LP Converter
PCG24EW	30,000	8 <sup>1</sup> / <sub>8</sub>	24 <sup>3</sup> / <sub>4</sub>	25 <sup>1</sup> / <sub>4</sub>	7 <sup>13</sup> / <sub>16</sub>	24	22 <sup>11</sup> / <sub>16</sub>	3 <sup>3</sup> / <sub>8</sub>	2	120V/15A	NG	140	PLPKIT
PCD24EE	0	8 <sup>1</sup> / <sub>8</sub>	24 <sup>3</sup> / <sub>4</sub>	25 <sup>1</sup> / <sub>4</sub>	7 <sup>13</sup> / <sub>16</sub>	24	22 <sup>11</sup> / <sub>16</sub>	3 <sup>3</sup> / <sub>8</sub>	2	220V/30A	N/A	150	N/A
PCG304E	60,000	8 <sup>1</sup> / <sub>8</sub>	29 <sup>7</sup> / <sub>8</sub>	25 <sup>1</sup> / <sub>4</sub>	7 <sup>13</sup> / <sub>16</sub>	29 <sup>1</sup> / <sub>8</sub>	22 <sup>11</sup> / <sub>16</sub>	3 <sup>3</sup> / <sub>8</sub>	2	120V/15A	NG	150	PLPKIT
PCG364ED	60,000									120V/15A	NG	150	PLPKIT
PCG364EL	72,000	8 <sup>1</sup> / <sub>8</sub>	35 <sup>7</sup> / <sub>8</sub>	25 <sup>1</sup> / <sub>4</sub>	7 <sup>13</sup> / <sub>16</sub>	35 <sup>1</sup> / <sub>8</sub>	22 <sup>11</sup> / <sub>16</sub>	3 <sup>3</sup> / <sub>8</sub>	2	120V/15A	NG	150	PLPKIT
PCG366E	90,000									120V/15A	NG	150	PLPKIT
PCG484EC	72,000									120V/15A	NG	220	PLPKIT
PCD484EE	60,000									220V/30A	NG	160	PLPKIT
PCG486ED	90,000	8 <sup>1</sup> / <sub>8</sub>	47 <sup>7</sup> / <sub>8</sub>	25 <sup>1</sup> / <sub>4</sub>	7 <sup>13</sup> / <sub>16</sub>	46 <sup>1</sup> / <sub>4</sub>	22 <sup>11</sup> / <sub>16</sub>	13 <sup>1</sup> / <sub>16</sub>	2	120V/15A	NG	200	PLPKIT
PCG486EL	102,000									120V/15A	NG	190	PLPKIT
PCG484EW	90,000									120V/15A	NG	200	PLPKIT

Back Guard Accessories	24" Wok	24" Griddle	30" Cooktop	36" Cooktop	48" Cooktop
12" Low Back Guard	GP24LBS	PC24LB	PC30LB	GPS36LBS	GPS48LBS
Island Trim	GP24ITS	PC24IT	PC30IT	GPS36ITS	GPS48ITS
Black Knob Accessory Kit	KNOBBLKHC				
Blue Knob Accessory Kit	KNOBBLUHC				

Notes: All height, width and depth dimensions are shown in inches. \*Please refer to installation instructions prior to making cutout. Installation instructions and back guard information are available at [www.thermador.com](http://www.thermador.com). Approved for residential use only. Ventilation products using mesh filters should not be used. Thermador's "PH" wall series hoods have been tested to be the correct ventilation product for this grill.

Please check [sweets.com](http://sweets.com) or [thermador.com](http://thermador.com) for a complete list of products, installation instructions, and up-to-date information.

# PROFESSIONAL SERIES VENTILATION

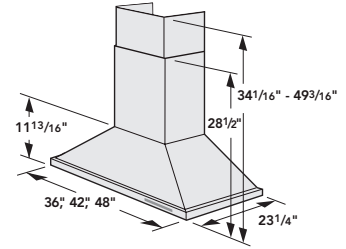


**HNW SERIES**  
CHIMNEY-STYLE WALL HOODS

- 36": HNW36YS
- 42": HNW42YS
- 48": HNW48YS

**VENTILATOR OPTIONS**

- CFM 600, Integral, Model VTN630C
- CFM 1000, Integral, Model VTN1030C
- CFM 600, Remote, Model VTR630D\*
- CFM 1000, Remote, Model VTR1030D\*
- CFM 1300, Remote, Model VTR1330E\*
- CFM 600, Inline, Model VTI610D
- CFM 1000, Inline, Model VTI1010D

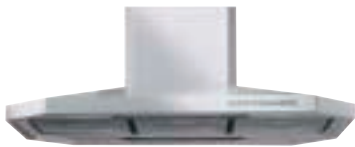
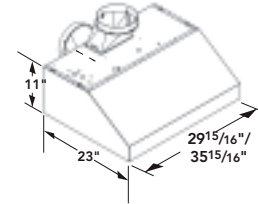


**PHH SERIES**  
PRO HARMONY WALL HOODS

- 30": PHH30DS
- 36": PHH36DS

**VENTILATOR OPTIONS**

- CFM 600, Integral, supplied with hood

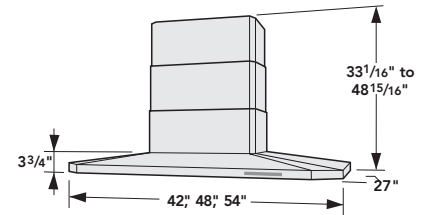


**HNI SERIES**  
CHIMNEY-STYLE ISLAND HOODS

- 42": HNI42YS
- 48": HNI48YS
- 54": HNI54YS

**VENTILATOR OPTIONS**

- CFM 600, Integral, Model VTN630C
- CFM 1000, Integral, Model VTN1030C
- CFM 600, Remote, Model VTR630D\*
- CFM 1000, Remote, Model VTR1030D\*
- CFM 1300, Remote, Model VTR1330E\*
- CFM 600, Inline, Model VTI610D
- CFM 1000, Inline, Model VTI1010D

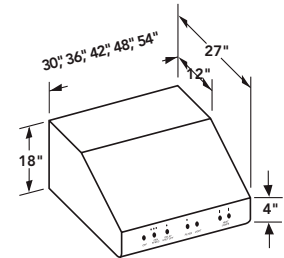


**PH SERIES**  
WALL HOODS

- 30": PH30CS
- 36": PH36CS
- 42": PH42CS
- 48": PH48CS
- 54": PH54CS

**VENTILATOR OPTIONS**

- CFM 600, Integral, Model VTN630C
- CFM 1000, Integral, Model VTN1030C
- CFM 600, Remote, Model VTR630D\*
- CFM 1000, Remote, Model VTR1030D\*
- CFM 1300, Remote, Model VTR1330E\*
- CFM 600, Inline, Model VTI610D
- CFM 1000, Inline, Model VTI1010D

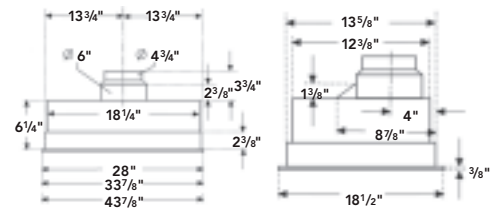


**PROFESSIONAL CUSTOM**  
HOOD INSERTS

- 30": VCI230DS
- 36": VCI236DS
- 48": VCI248DS

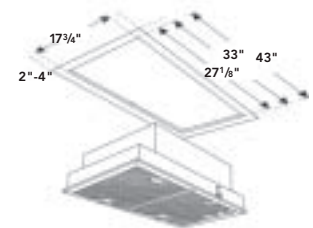
**VENTILATOR OPTIONS**

- CFM 600, Remote, Model VTR630D\*
- CFM 1000, Remote, Model VTR1030D\*
- CFM 1300, Remote, Model VTR1330E\*
- CFM 600, Inline, Model VTI610D\*\*
- CFM 1000, Inline, Model VTI1010D\*\*

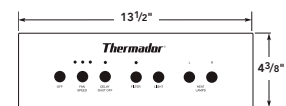


**ACCESSORIES**

- 30" Low-profile baffle filters: BAFFLT30
- 36" Low-profile baffle filters: BAFFLT36
- 48" Low-profile baffle filters: BAFFLT48
- Remote control: VCI2REM



**REMOTE CONTROL PANEL**  
PHREML



**Cutout Size**  
3 3/8" x 11 1/4"

Notes: \*Requires roofplate for roof mount (RFPLT600 or RFPLT1000). Remote blower requires a transition (CV2T6). \*\*With VCI2 models, Inline Ventilators may also be integrated into the hood. For a full list of Ventilations options, visit thermador.com.

Hoods are UL and CUL approved.



PROFESSIONAL SERIES BUILT-IN OVENS



**30"**  
SINGLE AND  
DOUBLE OVEN  
  
PO301 (single)  
PO302 (double)



**30"**  
DELUXE SINGLE AND  
DOUBLE OVEN  
  
POD301 (single)  
POD302 (double)  
PODC302 (double)



**30"**  
MICROWAVE  
COMBINATION OVEN  
  
POM301



**30"**  
TRIPLE  
COMBINATION OVEN  
  
POMW301

FEATURES & BENEFITS

The Professional Deluxe model features digital readouts for increased functionality.

Heavy-duty rotisserie with a 12-pound capacity

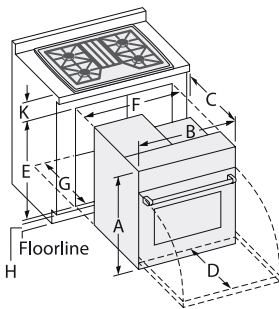
Extra-large capacity with 4.7 cu. ft. of cooking space

Max Broil 5,000-watt broiler is the most powerful on the market.

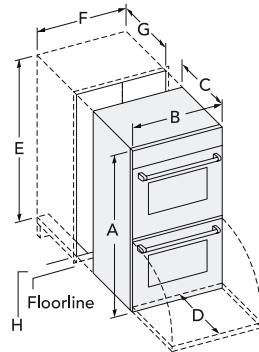
Super-fast preheat achieves temperature in just 7 minutes, the fastest on the market.

2-hour rapid self-cleaning, the industry's best

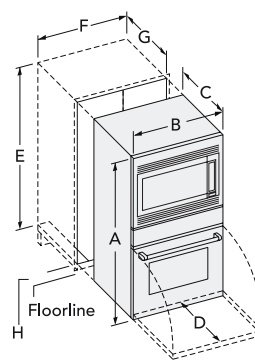
Single Ovens



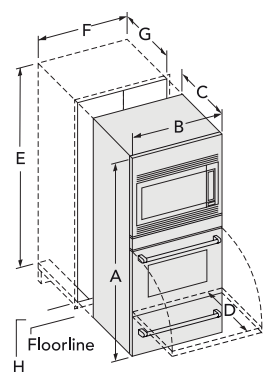
Double Ovens



Double Combination Ovens



Triple Combination Ovens



30" Models	Overall Dimensions				Cutout Dimensions*					Door Handle Projection	Dual-Rated 120/208-240V, 4 Wire, 60 Hz	Amps
	A	B	C	D	E	F	G	H	K			
PO301	29 <sup>1</sup> / <sub>16</sub>	29 <sup>3</sup> / <sub>4</sub>	23 <sup>7</sup> / <sub>8</sub>	22	28 <sup>1</sup> / <sub>4</sub>	28 <sup>1</sup> / <sub>2</sub>	24	4 <sup>3</sup> / <sub>4</sub> min	3	4 <sup>1</sup> / <sub>16</sub>	▪	30
PO302	51 <sup>3</sup> / <sub>4</sub>	29 <sup>3</sup> / <sub>4</sub>	23 <sup>7</sup> / <sub>8</sub>	22	51 <sup>1</sup> / <sub>8</sub>	28 <sup>1</sup> / <sub>2</sub>	24	4 <sup>3</sup> / <sub>4</sub> min	N/A	4 <sup>1</sup> / <sub>16</sub>	▪	40
POD301	29 <sup>1</sup> / <sub>16</sub>	29 <sup>3</sup> / <sub>4</sub>	23 <sup>7</sup> / <sub>8</sub>	22	28 <sup>1</sup> / <sub>4</sub>	28 <sup>1</sup> / <sub>2</sub>	24	4 <sup>3</sup> / <sub>4</sub> min	3	4 <sup>1</sup> / <sub>16</sub>	▪	30
POD302	51 <sup>3</sup> / <sub>4</sub>	29 <sup>3</sup> / <sub>4</sub>	23 <sup>7</sup> / <sub>8</sub>	22	51 <sup>1</sup> / <sub>8</sub>	28 <sup>1</sup> / <sub>2</sub>	24	4 <sup>3</sup> / <sub>4</sub> min	N/A	4 <sup>1</sup> / <sub>16</sub>	▪	40
PODC302	51 <sup>3</sup> / <sub>4</sub>	29 <sup>3</sup> / <sub>4</sub>	23 <sup>7</sup> / <sub>8</sub>	22	51 <sup>1</sup> / <sub>8</sub>	28 <sup>1</sup> / <sub>2</sub>	24	4 <sup>3</sup> / <sub>4</sub> min	N/A	4 <sup>1</sup> / <sub>16</sub>	▪	40
POM301	50	29 <sup>3</sup> / <sub>4</sub>	23 <sup>7</sup> / <sub>8</sub>	22	49 <sup>1</sup> / <sub>2</sub>	28 <sup>1</sup> / <sub>2</sub>	24	4 <sup>3</sup> / <sub>4</sub> min	N/A	4 <sup>1</sup> / <sub>16</sub>	▪	40
POMW301	61 <sup>3</sup> / <sub>8</sub>	29 <sup>3</sup> / <sub>4</sub>	23 <sup>7</sup> / <sub>8</sub>	22	60 <sup>3</sup> / <sub>4</sub>	28 <sup>1</sup> / <sub>2</sub>	24	4 <sup>3</sup> / <sub>4</sub> min	N/A	4 <sup>1</sup> / <sub>16</sub>	▪	40

Notes: All height, width and depth dimensions are shown in inches. \*Please refer to installation instructions prior to making cutout.

Please check sweets.com or thermador.com for a complete list of products, installation instructions, and up-to-date information.

# GAS COOKTOPS



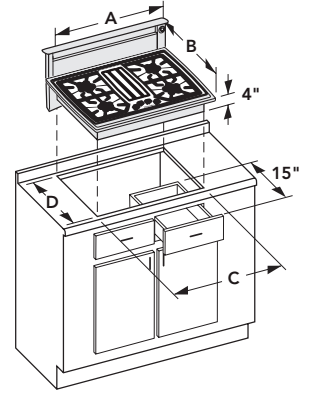
30"



36"



45"



## FEATURES & BENEFITS

Star® Burners for more even heating

Ergonomic controls for easy adjustments

Electronic re-ignition for unmatched precision and safety



30": SGSX304CS/SGS304CS  
 stainless: 36": SGSX365CS/SGS365CS  
 45": SGSX456CS



black: 30": SGSX304CB/SGS304CB  
 36": SGSX365CB/SGS365CB

Model	Overall Dimensions		Cutout Dimensions*		Front		Burner BTU/hr Output Rear		Center		
	A	B	C	D	Left	Right	Left	Right	Left	Right	
SGSX304C	31	21	28 <sup>15</sup> / <sub>16</sub> -29 <sup>3</sup> / <sub>8</sub>	19 <sup>1</sup> / <sub>8</sub> -19 <sup>7</sup> / <sub>8</sub>	200-8,000	1,650-12,000	300-12,000	950-8,000	N/A	N/A	
SGS304C	31	21	28 <sup>15</sup> / <sub>16</sub> -29 <sup>3</sup> / <sub>8</sub>	19 <sup>1</sup> / <sub>8</sub> -19 <sup>7</sup> / <sub>8</sub>	950-8,000	1,650-12,000	1,650-12,000	950-8,000	N/A	N/A	
SGSX365C	37	21	34 <sup>15</sup> / <sub>16</sub> -35 <sup>3</sup> / <sub>8</sub>	19 <sup>1</sup> / <sub>8</sub> -19 <sup>7</sup> / <sub>8</sub>	200-8,000	1,650-12,000	300-12,000	950-8,000	2,150-15,000	N/A	
SGS365C	37	21	34 <sup>15</sup> / <sub>16</sub> -35 <sup>3</sup> / <sub>8</sub>	19 <sup>1</sup> / <sub>8</sub> -19 <sup>7</sup> / <sub>8</sub>	950-8,000	1,650-12,000	1,650-12,000	950-8,000	2,150-15,000	N/A	
SGSX456C	46	21	43 <sup>15</sup> / <sub>16</sub> -44 <sup>1</sup> / <sub>2</sub>	19 <sup>1</sup> / <sub>8</sub> -19 <sup>7</sup> / <sub>8</sub>	200-8,000	1,650-12,000	300-12,000	950-8,000	2,150-15,000	2,150-15,000	
<b>General Information</b>			SGSX304C	SGS304C	SGSX365C	SGS365C			SGSX456C		
60 Hz, Single Phase A.C.:			■	■	■	■			■		
120V, 3 Wire, 20 Amps											
Approx. Shipping Weight (lbs.)			45	45	49	49			58		

**Notes:** 1) All height, width and depth dimensions are shown in inches. 2) Solid surface countertops require special cutout size. \*Please refer to installation instructions prior to making cutout. Installation instructions are available at [www.thermador.com](http://www.thermador.com).

Cooktops are CGA and AGA approved.

# ELECTRIC COOKTOPS



CERAMIC ELECTRIC COOKTOP WITH ELECTRONIC TOUCH CONTROLS

30": CET304ZB  
 36": CET365ZB



CERAMIC ELECTRIC COOKTOP WITH MECHANICAL CONTROLS

30": CEM304CB  
 36": CEM365CB  
 45": CEM456CB



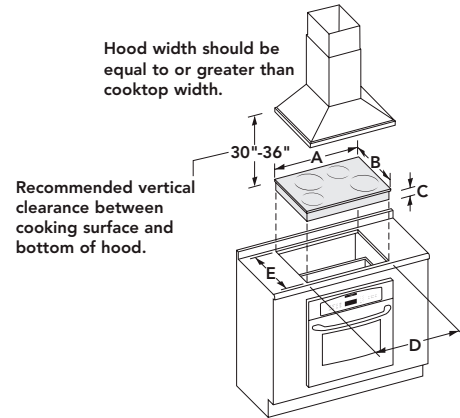
CERAMIC ELECTRIC COOKTOP FEATURING ZONESMART™ TECHNOLOGY

30": CEP304ZB  
 36": CEP365ZB  
 45": CEP456ZB



CERAMIC ELECTRIC COOKTOP WITH STAINLESS STEEL FRONT FRAME

30": CEF304CS  
 36": CEF365CS



Model	Overall Dimensions			Cutout Dimensions*	
	A	B	C	D	E
CE_304	31	21 <sup>5</sup> / <sub>8</sub>	3 <sup>5</sup> / <sub>8</sub>	28 <sup>3</sup> / <sub>4</sub> - 28 <sup>7</sup> / <sub>8</sub>	19 <sup>7</sup> / <sub>8</sub> -20
CE_365	37	21 <sup>5</sup> / <sub>8</sub>	3 <sup>5</sup> / <sub>8</sub>	34 <sup>3</sup> / <sub>4</sub> - 34 <sup>7</sup> / <sub>8</sub>	19 <sup>7</sup> / <sub>8</sub> -20
CE_456	46	21 <sup>5</sup> / <sub>8</sub>	3 <sup>5</sup> / <sub>8</sub>	43 <sup>3</sup> / <sub>4</sub> - 43 <sup>7</sup> / <sub>8</sub>	19 <sup>7</sup> / <sub>8</sub> -20

Model	CEP30, CET30, CEF30	CEM	CEP36, CET36, CEF30	CEM36	CEP45	CEM45
Amps	30	30	40	40	40	50
Approx. Shipping Weight (lbs.)	35	35	45	45	45	55

**Notes:** All height, width and depth dimensions are shown in inches. \*Please refer to installation instructions prior to making cutout. Installation instructions are available at [www.thermador.com](http://www.thermador.com). Countertop must be 26" wide overall for best fit. When the under cabinet measures 24" front to back (outside dimensions), it must be positioned so the countertop has a 1" overhang. The countertop must have a 25" flat area so no problems can occur with a backsplash. Important to measure it from the front edge of the countertop. All cutouts start at 2<sup>1</sup>/<sub>2</sub>" from the front edge of the countertop.\*\*\*BT" (Backsplash Thickness) = 0.



INDUCTION COOKTOPS

NEW



30"

ALL-INDUCTION WITH SILVER MIRRORED FINISH

CIT304EM

NEW



36"

ALL-INDUCTION WITH SILVER MIRRORED FINISH

CIT365EM

NEW



30"

ALL-INDUCTION

CIT304ES



36"

ALL-INDUCTION

CIT365DS



15"

ALL-INDUCTION

CIT151DS



30"

HYBRID ELECTRIC/INDUCTION

CIT302DS



36"

HYBRID ELECTRIC/INDUCTION

CIT362DS

FEATURES & BENEFITS

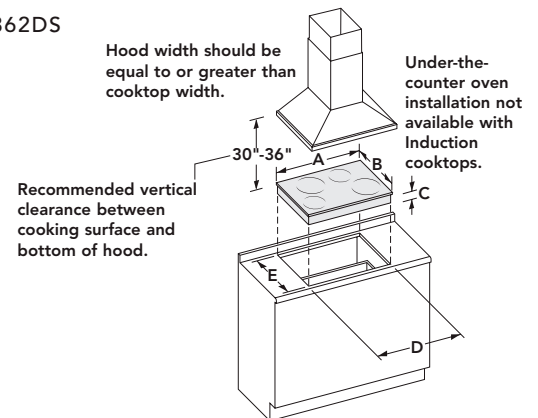
Induction uses electromagnetism to heat pan without heating the cooktop.

Heats up to 50% faster than traditional cooktops

Responds instantly to temperature adjustments for better control

The cooktop stays cool for easier cleaning.

10-step power micro-adjustments allow for more accurate simmering.



Model	Overall Dimensions			Cutout Dimensions*		(Element Wattage)/Size (in inches)				
	A	B	C**	D	E	Front		Rear		
						Left	Right	Left	Middle	Right
CIT365DS	36	21	3 <sup>5</sup> / <sub>8</sub>	34 <sup>3</sup> / <sub>4</sub> - 34 <sup>7</sup> / <sub>8</sub>	19 <sup>7</sup> / <sub>8</sub> - 20	(180) 7	(210) 8	(180) 7	(180/295) 7/12	(150) 6
CIT365EM	36	21	3 <sup>5</sup> / <sub>8</sub>	34 <sup>3</sup> / <sub>4</sub> - 34 <sup>7</sup> / <sub>8</sub>	19 <sup>7</sup> / <sub>8</sub> - 20	(180) 7	(210) 8	(180) 7	(180/295) 7/12	(150) 6
CIT304ES	31	21	3 <sup>5</sup> / <sub>8</sub>	28 <sup>3</sup> / <sub>4</sub> - 28 <sup>7</sup> / <sub>8</sub>	19 <sup>7</sup> / <sub>8</sub> - 20	(180) 7	150 (6)	(180) 7	285 (12)	
CIT304EM	31	21	3 <sup>5</sup> / <sub>8</sub>	28 <sup>3</sup> / <sub>4</sub> - 28 <sup>7</sup> / <sub>8</sub>	19 <sup>7</sup> / <sub>8</sub> - 20	(180) 7	150 (6)	(180) 7	285 (12)	
CIT362DS	36	21	3 <sup>5</sup> / <sub>8</sub>	34 <sup>3</sup> / <sub>4</sub> - 34 <sup>7</sup> / <sub>8</sub>	19 <sup>7</sup> / <sub>8</sub> - 20	(150/210) 6	(210) 8	(120/210) 5/8	(180/295) 7/12	(150) 6
CIT302DS	31	21	3 <sup>5</sup> / <sub>8</sub>	28 <sup>3</sup> / <sub>4</sub> - 28 <sup>7</sup> / <sub>8</sub>	19 <sup>7</sup> / <sub>8</sub> - 20	(145) 6	(120/210) 8	(120/210) 5/8	(150) 6	N/A
CIT151DS	16	21	3 <sup>5</sup> / <sub>8</sub>	14 - 14 <sup>1</sup> / <sub>8</sub>	19 <sup>7</sup> / <sub>8</sub> - 20	N/A	N/A	N/A	(180/280) 7/12	N/A

	CIT365DS CIT365EM	CIT362DS	CIT302DS CIT304ES CIT304EM	CIT151DS
208-240 Volts, 3 Wire, 60 Hz	■	■	■	■
Total Power	48 (208) 45 (240)	48 (208) 45 (240)	29 (208) 31 (240)	26 (208) 15 (240)
Amps	10,800 W	10,800 W	7,200 W	3,600 W
Recommended Circuit Breaker	40-50 <sup>†</sup>	40-50 <sup>†</sup>	30-40 <sup>††</sup>	20
Approx. Shipping Weight (lbs.)	42	40	35	15

**Notes:** All height, width and depth dimensions are shown in inches. \*Please refer to installation instructions prior to making cutout. \*\*For cutout depth, measurement is 5 1/8" with heat shield included. Installation instructions are available at [www.thermador.com](http://www.thermador.com). Countertop must be 26" wide overall for best fit. When the cabinet measures 24" front to back (outside dimensions), it must be positioned so the countertop has a 1" overhang. The countertop must have a 25" flat area so that no problems can occur with a backsplash. It is important to measure from the front edge of the countertop. All cutouts start at 2 1/2" from the front edge of the countertop. <sup>†</sup>Some localities may require a 50A circuit breaker. Refer to local building codes. <sup>††</sup>Some localities may require a 40A circuit breaker. Refer to local building codes.

Please check [sweets.com](http://sweets.com) or [thermador.com](http://thermador.com) for a complete list of products, installation instructions, and up-to-date information.

**Thermador** | An American Icon™

# VENTILATION

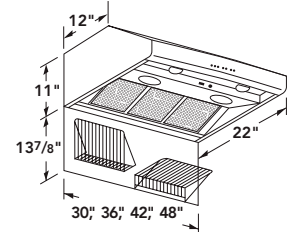


HS SERIES  
WALL HOODS

- 30": HS30BS
- 36": HS36BS
- 42": HS42BS
- 48": HS48BS

**Ventilator Options**

- CFM 400, Integral, Model VTN420B
- CFM 600, Integral, Model VTN620B
- CFM 600, Remote, Model VTR630D\*
- CFM 1000, Remote, Model VTR1030D\*
- CFM 1300, Remote, Model VTR1330E\*
- CFM 600, Inline, Model VTI610D
- CFM 1000, Inline, Model VTI1010D

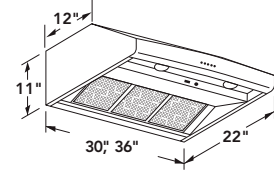


HSB SERIES  
WALL HOODS

- 30": HSB30BS
- 36": HSB36BS

**Ventilator Options**

- CFM 400, Integral, supplied with hood

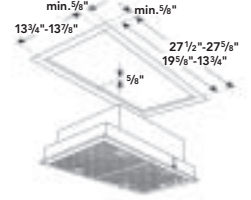
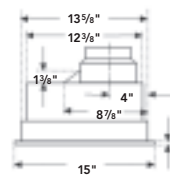
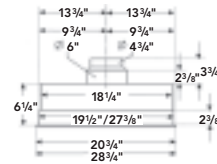


CUSTOM HOOD INSERTS

- 21": VCI21CS
- 29": VCI29CS

**Ventilator Options**

- CFM 400, Integral, supplied with hood

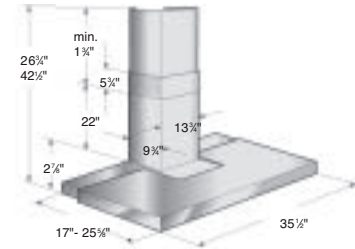


CHIMNEY DRAWER  
WALL HOOD

- 36": HDDW36DS

**Ventilator Options**

- CFM 600, Integral, supplied with hood

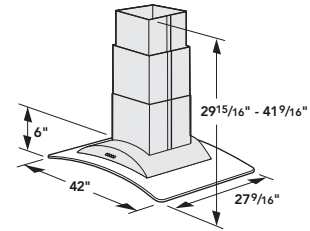


HGSW/HGSI SERIES  
GLASS ISLAND HOODS

- 36": HGSW36TS
- 42": HGSI42TS

**Ventilator Options**

- CFM 400, Integral, supplied with hood

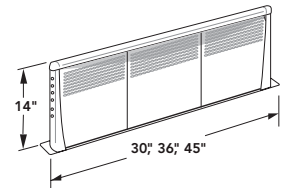


UCV2 SERIES  
DOWNDRAFT

- 30": UCV230DS
- 36": UCV236DS
- 45": UCV245DS

**Ventilator Options**

- CFM 600, Integral, Model VTN600CV2C
- CFM 600, Remote, Model VTR630D\*
- CFM 1000, Remote, Model VTR1030D\*
- CFM 1300, Remote, Model VTR1330E\*
- CFM 600, Inline, Model VTI610D
- CFM 1000, Inline, Model VTI1010D

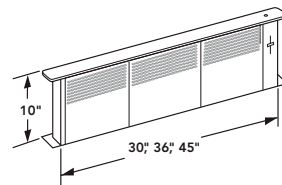


CVS2 SERIES  
DOWNDRAFT

- 30": CVS230CS
- 36": CVS236CS
- 45": CVS245CS

**Ventilator Options**

- CFM 600, Integral, Model VTN600CV2C
- CFM 600, Remote, Model VTR630D\*
- CFM 1000, Remote, Model VTR1030D\*
- CFM 1300, Remote, Model VTR1330E\*
- CFM 600, Inline, Model VTI610D
- CFM 1000, Inline, Model VTI1010D



optional black-trim top cap:

- 30": CVTC30CB
- 36": CVTC36CB
- 45": CVTC45CB

Notes: \*Requires roofplate for roof mount (RFPLT600 or RFPLT1000). Remote blower requires a transition (CV2T6). For a full list of Ventilation options, visit [www.thermador.com](http://www.thermador.com).

Hoods are UL and CUL approved.

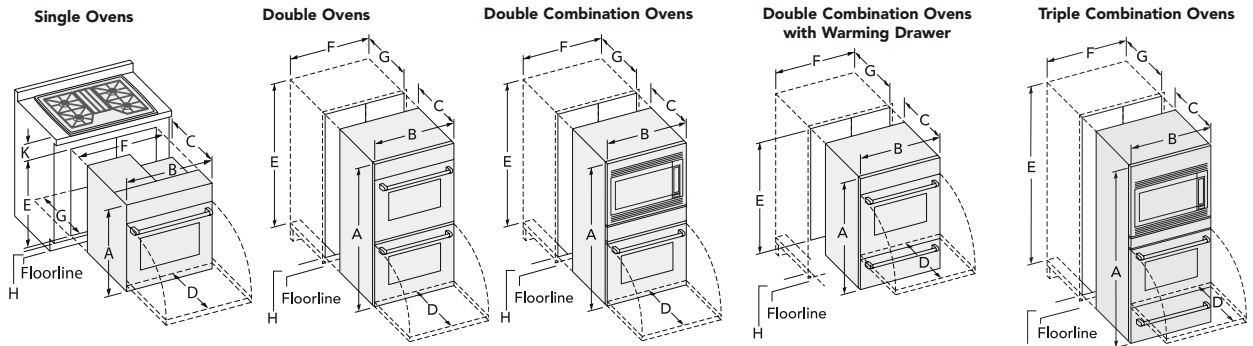


**MASTERPIECE™ SERIES BUILT-IN OVENS**



**SINGLE      DOUBLE      DOUBLE COMBINATION      TRIPLE COMBINATION      DM-SERIES**

27" stainless:	M271ES ME271ES	ME272ES MED272ES	MEM271ES	MEMW271ES		
30" stainless:	M301ES ME301ES	ME302ES MED302ES	MEM301ES MEMC301ES	MEW301ES	MEMW301ES MEMCW271ES	DM301ES      DM302ES
27" black:	ME271EB	MED272EB	MEM271EB	MEMW271EB		
30" black:	ME301EB	MED302EB	MEMC301EB	MEMCW301EB		



27" Models	Overall Dimensions				Cutout Dimensions*					Door Handle Projection	Dual-Rated 120/208-240V, 4 Wire, 60 Hz	Amps
	A	B	C	D	E	F	G	H	K			
M271E	29 <sup>1</sup> / <sub>16</sub>	26 <sup>3</sup> / <sub>4</sub>	23 <sup>7</sup> / <sub>8</sub>	22	28 <sup>1</sup> / <sub>4</sub>	25 <sup>1</sup> / <sub>2</sub>	24	4 <sup>3</sup> / <sub>4</sub> min	3	3 <sup>11</sup> / <sub>16</sub>	▪	30
ME271E	29 <sup>1</sup> / <sub>16</sub>	26 <sup>3</sup> / <sub>4</sub>	23 <sup>7</sup> / <sub>8</sub>	22	28 <sup>1</sup> / <sub>4</sub>	25 <sup>1</sup> / <sub>2</sub>	24	4 <sup>3</sup> / <sub>4</sub> min	3	3 <sup>11</sup> / <sub>16</sub>	▪	30
ME272E	51 <sup>3</sup> / <sub>4</sub>	26 <sup>3</sup> / <sub>4</sub>	23 <sup>7</sup> / <sub>8</sub>	22	51 <sup>1</sup> / <sub>8</sub>	25 <sup>1</sup> / <sub>2</sub>	24	4 <sup>3</sup> / <sub>4</sub> min	N/A	3 <sup>11</sup> / <sub>16</sub>	▪	40
MED272E	51 <sup>3</sup> / <sub>4</sub>	26 <sup>3</sup> / <sub>4</sub>	23 <sup>7</sup> / <sub>8</sub>	22	51 <sup>1</sup> / <sub>8</sub>	25 <sup>1</sup> / <sub>2</sub>	24	4 <sup>3</sup> / <sub>4</sub> min	N/A	3 <sup>11</sup> / <sub>16</sub>	▪	40
MEM271E	50	26 <sup>3</sup> / <sub>4</sub>	23 <sup>7</sup> / <sub>8</sub>	22	49 <sup>1</sup> / <sub>2</sub>	25 <sup>1</sup> / <sub>2</sub>	24	4 <sup>3</sup> / <sub>4</sub> min	N/A	3 <sup>11</sup> / <sub>16</sub>	▪	40
MEMW271E	61 <sup>3</sup> / <sub>8</sub>	26 <sup>3</sup> / <sub>4</sub>	23 <sup>7</sup> / <sub>8</sub>	22	60 <sup>3</sup> / <sub>4</sub>	25 <sup>1</sup> / <sub>2</sub>	24	4 <sup>3</sup> / <sub>4</sub> min	N/A	3 <sup>11</sup> / <sub>16</sub>	▪	40
30" Models	Overall Dimensions				Cutout Dimensions*					Door Handle Projection	Dual-Rated 120/208-240V, 4 Wire, 60 Hz	Amps
	A	B	C	D	E	F	G	H	K			
M301E	29 <sup>1</sup> / <sub>16</sub>	29 <sup>3</sup> / <sub>4</sub>	23 <sup>7</sup> / <sub>8</sub>	22	28 <sup>1</sup> / <sub>4</sub>	28 <sup>1</sup> / <sub>2</sub>	24	4 <sup>3</sup> / <sub>4</sub> min	3	3 <sup>11</sup> / <sub>16</sub>	▪	30
ME301E	29 <sup>1</sup> / <sub>16</sub>	29 <sup>3</sup> / <sub>4</sub>	23 <sup>7</sup> / <sub>8</sub>	22	28 <sup>1</sup> / <sub>4</sub>	28 <sup>1</sup> / <sub>2</sub>	24	4 <sup>3</sup> / <sub>4</sub> min	3	3 <sup>11</sup> / <sub>16</sub>	▪	30
ME302E	51 <sup>3</sup> / <sub>4</sub>	29 <sup>3</sup> / <sub>4</sub>	23 <sup>7</sup> / <sub>8</sub>	22	51 <sup>1</sup> / <sub>8</sub>	28 <sup>1</sup> / <sub>2</sub>	24	4 <sup>3</sup> / <sub>4</sub> min	N/A	3 <sup>11</sup> / <sub>16</sub>	▪	40
MED302E	51 <sup>3</sup> / <sub>4</sub>	29 <sup>3</sup> / <sub>4</sub>	23 <sup>7</sup> / <sub>8</sub>	22	51 <sup>1</sup> / <sub>8</sub>	28 <sup>1</sup> / <sub>2</sub>	24	4 <sup>3</sup> / <sub>4</sub> min	N/A	3 <sup>11</sup> / <sub>16</sub>	▪	40
DM301ES	28 <sup>5</sup> / <sub>8</sub>	29 <sup>3</sup> / <sub>4</sub>	23 <sup>7</sup> / <sub>8</sub>	22	28 <sup>1</sup> / <sub>4</sub>	28 <sup>1</sup> / <sub>2</sub>	24	4 <sup>3</sup> / <sub>4</sub> min	3	3 <sup>11</sup> / <sub>16</sub>	▪	30
DM302ES	51 <sup>1</sup> / <sub>2</sub>	29 <sup>3</sup> / <sub>4</sub>	23 <sup>7</sup> / <sub>8</sub>	22	51 <sup>1</sup> / <sub>8</sub>	28 <sup>1</sup> / <sub>2</sub>	24	4 <sup>3</sup> / <sub>4</sub> min	N/A	3 <sup>11</sup> / <sub>16</sub>	▪	50
MEM301E	50	29 <sup>3</sup> / <sub>4</sub>	23 <sup>7</sup> / <sub>8</sub>	22	49 <sup>1</sup> / <sub>2</sub>	28 <sup>1</sup> / <sub>2</sub>	24	4 <sup>3</sup> / <sub>4</sub> min	N/A	3 <sup>11</sup> / <sub>16</sub>	▪	40
MEMC301E	50	29 <sup>3</sup> / <sub>4</sub>	23 <sup>7</sup> / <sub>8</sub>	22	49 <sup>1</sup> / <sub>2</sub>	28 <sup>1</sup> / <sub>2</sub>	24	4 <sup>3</sup> / <sub>4</sub> min	N/A	3 <sup>11</sup> / <sub>16</sub>	▪	40
MEW301E	40 <sup>7</sup> / <sub>16</sub>	29 <sup>3</sup> / <sub>4</sub>	23 <sup>7</sup> / <sub>8</sub>	22	40	28 <sup>1</sup> / <sub>2</sub>	24	4 <sup>3</sup> / <sub>4</sub> min	N/A	3 <sup>11</sup> / <sub>16</sub>	▪	40
MEMW301E	61 <sup>3</sup> / <sub>8</sub>	29 <sup>3</sup> / <sub>4</sub>	23 <sup>7</sup> / <sub>8</sub>	22	60 <sup>3</sup> / <sub>4</sub>	28 <sup>1</sup> / <sub>2</sub>	24	4 <sup>3</sup> / <sub>4</sub> min	N/A	3 <sup>11</sup> / <sub>16</sub>	▪	40
MEMCW301E	61 <sup>3</sup> / <sub>8</sub>	29 <sup>3</sup> / <sub>4</sub>	23 <sup>7</sup> / <sub>8</sub>	22	60 <sup>3</sup> / <sub>4</sub>	28 <sup>1</sup> / <sub>2</sub>	24	4 <sup>3</sup> / <sub>4</sub> min	N/A	3 <sup>11</sup> / <sub>16</sub>	▪	40

Notes: All height, width and depth dimensions are shown in inches. \*Please refer to installation instructions prior to making cutout.

Please check sweets.com or thermador.com for a complete list of products, installation instructions, and up-to-date information.

# FREEDOM® COLLECTION FRESH FOOD AND FREEZER COLUMNS

## FRESH FOOD



24"

30"

	Masterpiece handle:	T24IR70MSS	T30IR70MSS
	Professional handle:	T24IR70PSS	T30IR70PSS
	Freedom Pro handle:	T24IR70FSS	T30IR70FSS
	Custom panel:	T24IR70NSP	T30IR70NSP

## FREEZER

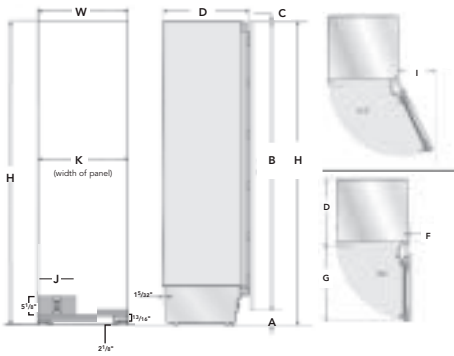


18"

24"

30"

	Masterpiece handle:	T18IF70MSS	T24IF70MSS	T30IF70MSS
	internal ice-maker:	T18ID80MRS	T24ID80MRS	
	right-hand swing:	T18ID80MLS	T24ID80MLS	
	left-hand swing:			
	Professional handle:	T18IF70PSS	T24IF70PSS	T30IF70PSS
	internal ice-maker:	T18ID80PRS	T24ID80PRS	
	right-hand swing:	T18ID80PLS	T24ID80PLS	
	left-hand swing:			
	Freedom Pro handle:	T18IF70FSS	T24IF70FSS	T30IF70FSS
	internal ice-maker:	T18ID80FRS	T24ID80FRS	
	right-hand swing:	T18ID80FLS	T24ID80FLS	
	left-hand swing:			
	Custom panel:	T18IF70NSP	T24IF70NSP	T30IF70NSP
	internal ice-maker:	T18ID80NRP	T24ID80NRP	
	right-hand swing:	T18ID80NLP	T24ID80NLP	
	left-hand swing:			



## FEATURES & BENEFITS

Individual refrigeration, freezer and wine cooler columns offer the ultimate in flexibility.

Fully flush design creates a clean, integrated look.



	Capacities (cu.ft.)	Cutout Dimensions			Custom and Stainless Steel Panel Dimensions*				Door Clearance			Connection Area
		W	H	D	K*	A*	B*	C*	F	G	I	
<b>Fresh Food</b>												
<b>24" Columns</b>												
T24IR70MSS/T24IR70PSS/T24IR70FSS	13.1	24	84	24 <sup>3</sup> / <sub>4</sub>	-	4	-	1/8	1 <sup>3</sup> / <sub>32</sub>	26 <sup>21</sup> / <sub>32</sub>	11 <sup>3</sup> / <sub>4</sub>	12
T24IR70NSP (Custom Panel)	13.1	24	84	24 plus panel size	23 <sup>3</sup> / <sub>4</sub>	4	79 <sup>7</sup> / <sub>8</sub>	1/8	1 <sup>3</sup> / <sub>32</sub>	26 <sup>21</sup> / <sub>32</sub>	11 <sup>3</sup> / <sub>4</sub>	12
<b>30" Columns</b>												
T30IR70MSS/T30IR70PSS/T30IR70FSS	17.0	30	84	24 <sup>3</sup> / <sub>4</sub>	-	4	-	1/8	1 <sup>3</sup> / <sub>32</sub>	32 <sup>31</sup> / <sub>32</sub>	14 <sup>5</sup> / <sub>16</sub>	15
T30IR70NSP (Custom Panel)	17.0	30	84	24 plus panel size	29 <sup>3</sup> / <sub>4</sub>	4	79 <sup>7</sup> / <sub>8</sub>	1/8	1 <sup>3</sup> / <sub>32</sub>	32 <sup>31</sup> / <sub>32</sub>	14 <sup>5</sup> / <sub>16</sub>	15
<b>Freezer</b>												
<b>18" Columns</b>												
T30IR70MSS/T18IF70PSS/T30IF70FSS	8.5	18	84	24 <sup>3</sup> / <sub>4</sub>	-	4	-	1/8	1 <sup>3</sup> / <sub>32</sub>	20 <sup>21</sup> / <sub>32</sub>	9 <sup>7</sup> / <sub>32</sub>	9
T18ID80M_S/T18ID80P_S/T18ID80F_S	8.5	18	84	24 <sup>3</sup> / <sub>4</sub>	-	4	-	1/8	1 <sup>3</sup> / <sub>32</sub>	20 <sup>21</sup> / <sub>32</sub>	9 <sup>7</sup> / <sub>32</sub>	9
T18IF70NSP (Custom Panel)	8.5	18	84	24 plus panel size	17 <sup>3</sup> / <sub>4</sub>	4	79 <sup>7</sup> / <sub>8</sub>	1/8	1 <sup>3</sup> / <sub>32</sub>	20 <sup>21</sup> / <sub>32</sub>	9 <sup>7</sup> / <sub>32</sub>	9
T18ID80N_P (Custom Panel)	8.5	18	84	24 plus panel size	17 <sup>3</sup> / <sub>4</sub>	4	79 <sup>7</sup> / <sub>8</sub>	1/8	1 <sup>3</sup> / <sub>32</sub>	20 <sup>21</sup> / <sub>32</sub>	9 <sup>7</sup> / <sub>32</sub>	9
<b>24" Columns</b>												
T24IF70MSS/T24IF70PSS/T24IF70FSS	12.2	24	84	24 <sup>3</sup> / <sub>4</sub>	-	4	-	1/8	1 <sup>3</sup> / <sub>32</sub>	26 <sup>21</sup> / <sub>32</sub>	11 <sup>3</sup> / <sub>4</sub>	12
T24ID80M_S/T24ID80P_S/T24ID80F_S	12.2	24	84	24 <sup>3</sup> / <sub>4</sub>	-	4	-	1/8	1 <sup>3</sup> / <sub>32</sub>	26 <sup>21</sup> / <sub>32</sub>	11 <sup>3</sup> / <sub>4</sub>	12
T24IF70NSP (Custom Panel)	12.2	24	84	24 plus panel size	23 <sup>3</sup> / <sub>4</sub>	4	79 <sup>7</sup> / <sub>8</sub>	1/8	1 <sup>3</sup> / <sub>32</sub>	26 <sup>21</sup> / <sub>32</sub>	11 <sup>3</sup> / <sub>4</sub>	12
T24ID80N_P (Custom Panel)	12.2	24	84	24 plus panel size	23 <sup>3</sup> / <sub>4</sub>	4	79 <sup>7</sup> / <sub>8</sub>	1/8	1 <sup>3</sup> / <sub>32</sub>	26 <sup>21</sup> / <sub>32</sub>	11 <sup>3</sup> / <sub>4</sub>	12
<b>30" Columns</b>												
T30IF70MSS/T30IF70PSS/T30IF70FSS	15.9	30	84	24 <sup>3</sup> / <sub>4</sub>	-	4	-	1/8	1 <sup>3</sup> / <sub>32</sub>	32 <sup>31</sup> / <sub>32</sub>	14 <sup>5</sup> / <sub>16</sub>	15
T30IF70NSP (Custom Panel)	15.9	30	84	24 plus panel size	29 <sup>3</sup> / <sub>4</sub>	4	79 <sup>7</sup> / <sub>8</sub>	1/8	1 <sup>3</sup> / <sub>32</sub>	32 <sup>31</sup> / <sub>32</sub>	14 <sup>5</sup> / <sub>16</sub>	15

Because of our continuous program of product improvement, we reserve the right to change materials and specifications without notice.

NOTES: All height, width and depth dimensions are shown in inches. All doors, except dispenser and wine models, are reversible to accommodate a left-hand or right-hand door swing. Please refer to installation instructions prior to installation. Installation instructions are available at thermador.com.

\* THE CUSTOM PANEL DIMENSIONS ARE FOR A STANDARD 1/8" REVEAL AND 4" TOE KICK.

FREEDOM® COLLECTION BOTTOM-FREEZER AND WINE PRESERVATION

BOTTOM-FREEZER



36"

36"

3-DOOR

2-DOOR



Masterpiece handle:

T36IT70MNS

T36IB70MSS



Professional handle:

T36IT70PNS

T36IB70PSS



Freedom Pro handle:

T36IT70FNS

T36IB70FSS



Custom panel: T36IT70NNP

T36IB70NSP

WINE PRESERVATION



18"

24"



Masterpiece handle:

right-hand swing: T18IW50MRS  
left-hand swing: T18IW50MLS

T18IW50MRS

T24IW50MRS  
T24IW50MLS



Professional handle:

right-hand swing: T18IW50PRS  
left-hand swing: T18IW50PLS

T18IW50PRS

T24IW50PRS  
T24IW50PLS



Freedom Pro handle:

right-hand swing: T18IW50FRS  
left-hand swing: T18IW50FLS

T18IW50FRS

T24IW50FRS  
T24IW50FLS

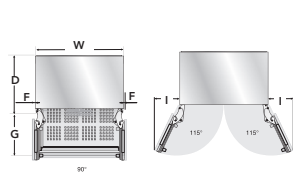


Custom panel:

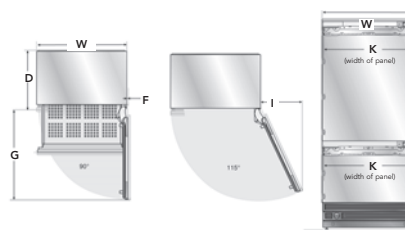
T18IW50NSP

T24IW50NSP

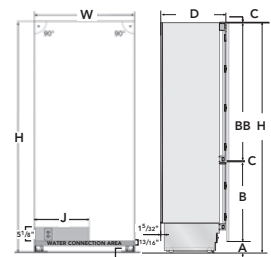
3-Door



2-Door



3-Door/2-Door



Bottom-Freezer	Capacities (cu. ft.)			Overall Dimensions				Custom and Stainless Steel Panel Dimensions*			Door Clearance			Connection Area
	Total	Refrigerator	Freezer	W	H	D	K/KK**	A*	B/BB*	C*	F	G	I	J
<b>3-Door</b>														
T36IT70MNS	19.6	14.3	5.3	36	84	24 <sup>3</sup> / <sub>4</sub>	-	4	-	1/8	13/32	20 <sup>21</sup> / <sub>32</sub>	9 <sup>7</sup> / <sub>32</sub>	18
T36IT70PNS	19.6	14.3	5.3	36	84	24 <sup>3</sup> / <sub>4</sub>	-	4	-	1/8	13/32	20 <sup>21</sup> / <sub>32</sub>	9 <sup>7</sup> / <sub>32</sub>	18
T36IT70FNS	19.6	14.3	5.3	36	84	24 <sup>3</sup> / <sub>4</sub>	-	4	-	1/8	13/32	20 <sup>21</sup> / <sub>32</sub>	9 <sup>7</sup> / <sub>32</sub>	18
T36IT70NNP (Custom Panel)	19.6	14.3	5.3	36	84	24 plus panel size	17 <sup>3</sup> / <sub>4</sub> 35 <sup>3</sup> / <sub>4</sub>	4	28 <sup>13</sup> / <sub>32</sub> 51 <sup>11</sup> / <sub>32</sub>	1/8	13/32	20 <sup>21</sup> / <sub>32</sub>	9 <sup>7</sup> / <sub>32</sub>	18
<b>2-Door</b>														
T36IB70MSS	19.6	14.3	5.3	36	84	24 <sup>3</sup> / <sub>4</sub>	-	4	-	1/8	13/32	38 <sup>21</sup> / <sub>32</sub>	16 <sup>27</sup> / <sub>32</sub>	18
T36IB70PSS	19.6	14.3	5.3	36	84	24 <sup>3</sup> / <sub>4</sub>	-	4	-	1/8	13/32	38 <sup>21</sup> / <sub>32</sub>	16 <sup>27</sup> / <sub>32</sub>	18
T36IB70FSS	19.6	14.3	5.3	36	84	24 <sup>3</sup> / <sub>4</sub>	-	4	-	1/8	13/32	38 <sup>21</sup> / <sub>32</sub>	16 <sup>27</sup> / <sub>32</sub>	18
T36IB70NSP (Custom Panel)	19.6		5.3	36	84	24 plus panel size	35 <sup>3</sup> / <sub>4</sub>	4	28 <sup>13</sup> / <sub>32</sub> 51 <sup>11</sup> / <sub>32</sub>	1/8	13/32	38 <sup>21</sup> / <sub>32</sub>	16 <sup>27</sup> / <sub>32</sub>	18
Wine Preservation	Capacities (bottles)	Cutout Dimensions			Custom and Stainless Steel Panel Dimensions*				Door Clearance			Connection Area		
		W	H	D	K*	A*	B*	C*	F	G	I	J		
<b>18" Columns</b>														
T18IW50MSS/T18IW50PSS/T18IW50FSS	70	18	84	24 <sup>3</sup> / <sub>4</sub>	-	4	-	1/8	13/32	20 <sup>21</sup> / <sub>32</sub>	9 <sup>7</sup> / <sub>32</sub>	9		
T18IW50NSP (Custom Panel)	70	18	84	24 plus panel size	17 <sup>3</sup> / <sub>4</sub>	4	79 <sup>7</sup> / <sub>8</sub>	1/8	13/32	20 <sup>21</sup> / <sub>32</sub>	9 <sup>7</sup> / <sub>32</sub>	9		
<b>24" Columns</b>														
T24IW50MSS/T24IW50PSS/T24IW50FSS	98	24	84	24 <sup>3</sup> / <sub>4</sub>	-	4	-	1/8	13/32	26 <sup>21</sup> / <sub>32</sub>	11 <sup>3</sup> / <sub>4</sub>	12		
T24IW50NSP (Custom Panel)	98	24	84	24 plus panel size	23 <sup>3</sup> / <sub>4</sub>	4	79 <sup>7</sup> / <sub>8</sub>	1/8	13/32	26 <sup>21</sup> / <sub>32</sub>	11 <sup>3</sup> / <sub>4</sub>	12		

Please check sweets.com or thermador.com for a complete list of products, installation instructions, and up-to-date information.

# TRADITIONAL REFRIGERATION

## BOTTOM-FREEZER



36"

Masterpiece handle  
right-hand: KBURT3655E  
left-hand: KBULT3655E

Professional handle  
right-hand: KBURT3665E  
left-hand: KBULT3665E

Custom panel  
right-hand: KBURT3675E  
left-hand: KBULT3675E

## SIDE-BY-SIDE



42"

Masterpiece handle  
internal dispenser: KBUIT4255E  
external dispenser: KBUDT4255E

Professional handle  
internal dispenser: KBUIT4265E  
external dispenser: KBUDT4265E

Custom panel  
internal dispenser: KBUIT4275E  
external dispenser: KBUDT4275E



48"

Masterpiece handle  
internal dispenser: KBUIT4855E  
external dispenser: KBUDT4855E

Professional handle  
internal dispenser: KBUIT4865E  
external dispenser: KBUDT4865E

Custom panel  
internal dispenser: KBUIT4875E  
external dispenser: KBUDT4875E

Bridge two 36" Bottom-Freezers to create 72" with stainless steel unifying top grill (KSZ8T9200).

### Product Dimensions

Trim Edge Side to Side  
A

Bottom-Mount  
36" Model : 36 1/4" (92 cm)  
Side-by-Side  
42" Model : 42 1/4" (107 cm)  
48" Model : 48 1/4" (123 cm)

### Side-by-Side Models Door Swing Dimensions

	A	B	C	D	E	F
42"	41 3/8 (105.1 cm)	37 1/8 (94.6 cm)	12 5/8 (32.1 cm)	16 7/8 (42.9 cm)	41 1/2 (105.4 cm)	47 7/8 (121.6 cm)
48"	43 3/8 (111.4 cm)	39 (99.1 cm)	14 7/8 (36.5 cm)	19 1/8 (48.9 cm)	44 (111.8 cm)	51 7/8 (130.5 cm)

### Overall Product Dimensions

APPROXIMATE SHIPPING WEIGHT (lbs.)

Model	Weight (lbs.)
KBU_T36_5E	518
KBUIT42_5E	573
KBUIT48_5E	615
KBUDT42_5E (Dispenser)	583
KBUDT48_5E (Dispenser)	628

### Space Requirements\*\*

Required grounded electrical outlet location

80"-90" (203-229 cm) Above Floor

4" (10.2 cm)

77" (196 cm)

84 3/4" max. (215 cm) to bottom of solid soffit†

6" (15.2 cm)

24" (60.9 cm)

1" (2.54 cm)

6" (15.2 cm)

1/2" hole for plumbing can be located anywhere within shaded area\*\*\*

CAPACITIES	Total (cu. ft.)	Refrigerator (cu. ft.)	Freezer (cu. ft.)	Ice Bucket (lbs.)
KBU_T36_5E	20.3	15.0	5.3	8
KBUIT42_5E	25.3	16.0	9.3	12.4
KBUIT48_5E	29.2	18.8	10.4	15
KBUDT42_5E (Dispenser)	25.2	16.0	9.2	11.4
KBUDT48_5E (Dispenser)	29.6	18.8	10.8	13.4

**Notes:** 1) All height, width and depth dimensions are shown in inches. 2) Water line must provide 15-100 psi water pressure. Rough in water line before installing refrigerator. 3) Floor must support refrigerator (more than 600 lbs.), contents and door panels. 4) The built-in refrigerator can be installed recessed in the cabinet opening or at the end of cabinets using a side panel to enclose the refrigerator side. 5) Floor under refrigerator must be at the same level as the room. Face of cabinetry must be plumb. 6) Width dimensions were measured from trim edge to trim edge.

\*Height dimensions are shown with leveling legs extended 1/8" (3 mm) below the rollers. When leveling legs are fully extended to 1 1/4" (32mm) below rollers, add 1 1/8" (29mm) to the height dimensions. \*\*Please refer to Installation Instructions manual prior to installation. Installation instructions are available at [www.thermador.com](http://www.thermador.com). \*\*\*If a recommended water line location is used, no additional plumbing needs to be purchased. †If solid soffit is not available, see anti-tip requirements in the Installation Instructions manual. One of the three methods outlined in the installation instructions must be used.



MICROWAVES



TRADITIONAL

stainless microwave: MBES  
27" trim kit: MET27ES  
30" trim kit: MET30ES



CONVECTION

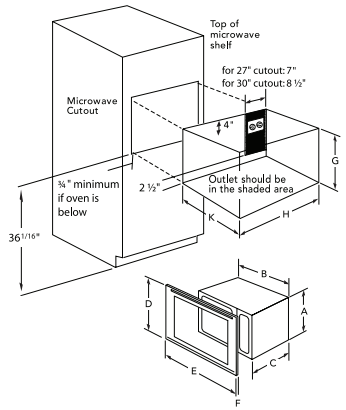
stainless microwave: MCEB  
27" trim kit: MCT27ES  
30" trim kit: MCT30ES



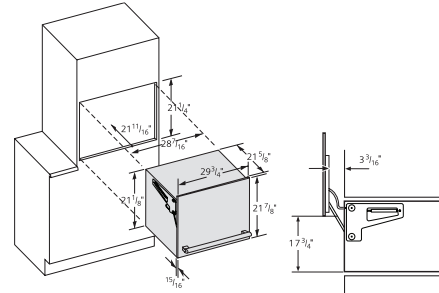
LIFT DOOR

Masterpiece: LFTD30M  
Professional: LFTD30P

Microwave with Cutout



Lift Door



General Information	MBES/MBEB	MCEB/MCEB
Microwave Wattage	1200	1000
Third Element Wattage	N/A	1400
Amps	20	20
Single Phase A.C.	▪	▪
Usable Oven Space	2.1 cu. ft.	1.5 cu. ft.

	Overall Dimensions						Cutout Dimensions*		
	A	B	C	D	E	F	G	H	K
<b>Microwave Ovens</b>									
MCEB/MCEB	14 <sup>13/16</sup>	23 <sup>7/8</sup>	19 <sup>5/16</sup>	N/A	N/A	N/A	N/A	N/A	N/A
MCT27E (Trim kit)	N/A	N/A	N/A	20 <sup>1/2</sup>	26 <sup>3/4</sup>	1 <sup>1/2</sup>	19 <sup>7/8</sup>	25 <sup>7/16</sup>	21
MCT30E (Trim kit)	N/A	N/A	N/A	20 <sup>1/2</sup>	29 <sup>3/4</sup>	1 <sup>1/2</sup>	19 <sup>7/8</sup>	28 <sup>7/16</sup>	21
MBES/MBEB	14	23 <sup>7/8</sup>	19 <sup>7/16</sup>	N/A	N/A	N/A	N/A	N/A	N/A
MET27E (Trim kit)	N/A	N/A	N/A	20 <sup>1/2</sup>	26 <sup>3/4</sup>	1 <sup>1/2</sup>	19 <sup>7/8</sup>	25 <sup>7/16</sup>	21
MET30E (Trim kit)	N/A	N/A	N/A	20 <sup>1/2</sup>	29 <sup>3/4</sup>	1 <sup>1/2</sup>	19 <sup>7/8</sup>	28 <sup>7/16</sup>	21

Notes: All height, width and depth dimensions are shown in inches. \*Please refer to installation instructions prior to making cutout. Installation instructions are available at [www.thermador.com](http://www.thermador.com). \*\*MCEB/MCEB models must be used in conjunction with MCT27 or MCT30 microwave trim kit, MBES/MBEB models must be used in conjunction with MET27 or MET30 microwave trim kit. A minimum space of 3/4" is recommended between microwave cutout and lower single wall oven. A minimum space of 3/4" is recommended between microwave cutout and lower warming drawer cutout.

WARMING DRAWERS

TRADITIONAL



stainless: WD27ES WD30ES

black: WD27EB WD30EB



WD30EP

CONVECTION



WDC30E  
WDC36E



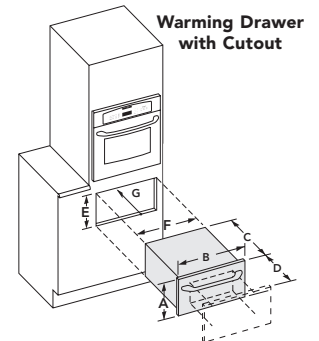
WDF30EP  
WDF36EP



WDF30ES



WDF30EB



Warming Drawers	Size	Overall Dimensions				Cutout Dimensions*			Interior Drawer Usable Space	Custom Panel Dimensions		Watts (12V, 60HZ)	AC/20A	Approx. Ship. Wt.
		A	B	C**	D	E	F	G	(cu. ft.)	H	W			
WDC30E	30"	11 <sup>1/4</sup>	29 <sup>3/4</sup>	22 <sup>3/4</sup>	22	10	28 <sup>1/2</sup>	24	2	11 <sup>1/4</sup>	29 <sup>3/4</sup>	930	▪	62
WDC36E	36"	11 <sup>1/4</sup>	35 <sup>3/4</sup>	22 <sup>3/4</sup>	22	10	34 <sup>1/2</sup>	24	2.4	11 <sup>1/4</sup>	35 <sup>3/4</sup>	930	▪	64
WD27E	27"	11 <sup>1/4</sup>	26 <sup>3/4</sup>	22 <sup>1/4</sup>	20 <sup>1/2</sup>	10 <sup>7/8</sup>	25 <sup>3/8</sup>	24	2.3	11 <sup>1/4</sup>	26 <sup>3/4</sup>	450	▪	70
WD30E	30"	11 <sup>1/4</sup>	29 <sup>3/4</sup>	22 <sup>1/4</sup>	20 <sup>1/2</sup>	10 <sup>7/8</sup>	28 <sup>3/8</sup>	24	2.6	11 <sup>1/4</sup>	29 <sup>3/4</sup>	450	▪	72

Notes: All height, width and depth dimensions are shown in inches. \*Please refer to installation instructions prior to making cutout. Installation instructions are available at [www.thermador.com](http://www.thermador.com). 3/4" is recommended between microwave cutout and lower warming drawer cutout. \*\*Measured from cabinet face. Add 3<sup>11/16</sup>" for distance from drawer handle to cabinet face.

# DISHWASHERS



4-PROGRAM



6-PROGRAM



9-PROGRAM

## FEATURES & BENEFITS

Compatible with custom paneling for perfect integration

Energy Star® qualified for superior energy efficiency

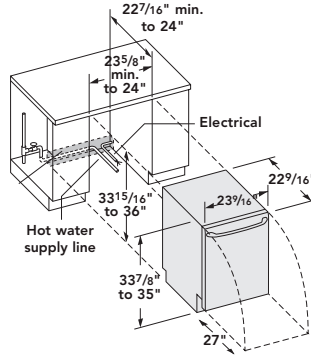
Masterpiece handle: DWHD44EM DWHD64EM

Professional\*\* handle: DWHD64EP DWHD94EP

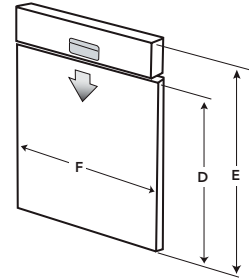
Custom panel: DWHD44EF DWHD64EF  
Limited Availability

Openings for electrical, water and drain lines must be installed in the shaded area. Approx. area size: 3 1/2" from floor, 1 5/16" from back wall, width as shown.

### Dishwasher with Cutout\*



### Custom Panel Dimensions\*\*



Custom Panel Dimensions***	D	E	F	Min - Max Weight (lbs.)	Door Thickness
All HD Models	20 <sup>11/16</sup> - 25	27 <sup>3/16</sup> - 30 <sup>5/16</sup>	23 <sup>3/16</sup> - 23 <sup>3/8</sup>	9 - 21	3/4

General Information****	Electrical	Approx. Shipping Weight (lbs.)
All Models	120 Volts, 60Hz, 20 Amps	125

Dishwashers are UL and CUL approved.



Notes: All height, width and depth dimensions are shown in inches. \*Please refer to installation instructions prior to making cutout. Installation instructions are available at [www.thermador.com](http://www.thermador.com). \*\*Also available with a Classic Professional handle (DWHD64CP). \*\*\*Consult installation instructions included with dishwasher. \*\*\*\*For complete details see Care & Use manual.

# SAVOR™ BUILT-IN COFFEE MACHINE

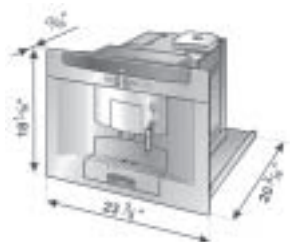
## FEATURES & BENEFITS

Fully automatic and programmable built-in coffee machine with stainless steel finish

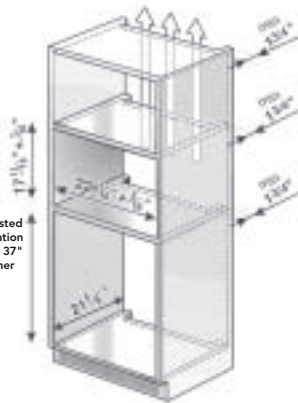


24"

BICM24CS



Suggested installation height 37" or higher



Shown here with optional warming drawer. See [www.thermador.com](http://www.thermador.com) for specifications.

General Information	Electrical	Approx. Shipping Weight	Water Tank
BICM24CS	120 Volts, 60Hz, 16 Amps	64 lbs./31 kg	1/2 gal./1800 mL

CONTACT US FOR MORE UP-TO-DATE INFORMATION ON OUR FULL LINE OF THERMADOR APPLIANCES

BSH HOME APPLIANCES CORPORATION  
CORPORATE OFFICE  
5551 MCFADDEN AVENUE | HUNTINGTON BEACH, CA 92649

©2007 BSH HOME APPLIANCES CORPORATION, ALL RIGHTS RESERVED

see us at  
**Sweets.com**

1 800 735 4328  
WWW.THERMADOR.COM

**Thermador** | An American Icon™