

**GOBED+™**

**ELECTRIC ACUTE CARE BED**

**Model FL20E**

**TECHNICAL ASSISTANCE AND PARTS**

**1 800 428-5025 (Service in English in Canada)**

**1 800 361-2040 (Service in French in Canada)**

**1 800 327-0770 (In United States)**

**E-mail (Canada): [service@bertec.strykercorp.com](mailto:service@bertec.strykercorp.com)**

Manufactured by Stryker Bertec Medical Inc

72-0440 R1.1  
F15-44-E-A

2002-10-07  
Printed in Canada



# TABLE OF CONTENTS

1. INTRODUCTION.....	5
1.1 Specifications .....	5
1.2 Technical Support.....	5
1.3 Warning, Caution, Note Definition.....	6
1.4 Static Discharge Precautions.....	6
1.5 Warranty.....	7
Limited Warranty .....	7
To Obtain Service and/or Parts .....	7
Return Authorization .....	8
Damaged Merchandise .....	8
1.6 Symbols .....	9
2. PREVENTATIVE MAINTENANCE .....	10
2.1 Bed Cleaning and Mattress Care.....	10
Cleaning Beds.....	10
Mattress Care .....	10
2.2 Lubrication Requirements.....	11
Annual Checklist .....	11
Two Year Interval Checklist.....	11
Five Year Interval Checklist.....	11
Lubrication Points Illustrated .....	12
2.3 Preventative Maintenance Program.....	13
Annual Checklist .....	13
Recommended Spare Parts .....	14
3. TROUBLESHOOTING .....	16
3.1 Troubleshooting Guide .....	16
4. MAINTENANCE PROCEDURES .....	18
4.1 Siderail Assembly Replacement .....	18
Foot Siderail Assembly (Attached to Support Frame).....	18
Foot Siderail Assembly (Attached to Foot Section) .....	19
Head Siderail Assembly .....	20
Foot Rail .....	21
Head Rail.....	21
4.2 Foot Board Control Panel Component Replacement .....	22
Control Panel Membrane .....	22
Scale Display (Optional Equipment).....	23
4.3 Siderail Control Panel Component Replacement.....	24
Control Panel Membrane .....	24
Optional Nurse Call Speakerphone.....	25
4.4 Control Board Replacement .....	26
Motor Control Board .....	26
Optional Scale Control Board .....	27
Optional Nurse Call Control Board.....	28
4.5 Power Connector Fuse Replacement .....	29

4.6 Scale System Calibration .....	30
Verifying Scale Accuracy .....	30
Scale Calibration.....	30
4.7 Load Cell Verification .....	31
4.8 Load Cell Replacement.....	32
4.9 Mattress Support Section Replacement .....	33
Foot Section .....	33
Thigh Section.....	34
Seat Section .....	35
Head Section .....	36
4.10 Actuator Replacement.....	39
Knee Gatch Actuator .....	40
Head Actuator.....	41
Hi-Lo Actuator.....	42
4.11 Actuator Screw Lubrication Procedure .....	43
4.12 Steer Wheel Component Replacement .....	44
Activation Lever .....	44
Swing Arm Assembly .....	45
4.13 Caster Replacement .....	47
4.14 Hi-Lo Lever Replacement.....	49
4.15 Optional CPR Release Component Replacement.....	51
CPR Release Cable.....	51
CPR Pneumatic Cylinder .....	52
Appendix A: Motor Connection Diagram .....	53
Appendix B: Scale Connection Diagram .....	54
Appendix C: Nurse Call Connection Diagram.....	55
Appendix D: Toroid Transformer Connection Diagram.....	56
Appendix E: Bed Positions for Maintenance Purpose.....	57

## 1. INTRODUCTION

This manual is designed to assist you with the servicing of the Model FL20E **COBED+**. Read it thoroughly before beginning any service on the bed. Qualified maintenance personnel should be able to refer to this manual at all time when servicing the bed.

This Maintenance Manual is an integral part of the bed and should be included if the bed is sold or transferred.

### 1.1 SPECIFICATIONS \*

Maximum Weight Capacity	500 lb (227 kg)
Weigh System Capacity	Patients weighing up to 500 lb (227 kg)
Weigh System Accuracy	± 2 % of patient weight from 100 lb (45.3 kg) to 500 lb (227 kg) ± 2 lb of patient weight under 100 lb (45.3 kg)
Overall Length/Width	92 7/8" x 42 9/16" (235 cm x 108.1 cm) - siderails up 92 7/8" x 38 3/4" (235 cm x 98.4 cm) - siderails down
Weight w/Boards	417 lb (189 kg)
Patient Sleep Surface	35" x 80" (89 cm x 203 cm) extendable to 82" (208 cm) & 84" (213 cm)
Recommended Mattress	35" x 80" (89 x 203 cm); 35" x 82" (89 x 208 cm); 35" x 84" (89 x 213 cm); 6 in (15.2 cm) thick.
Min/Max Mattress Support Height:	13 3/4" to 29" (34.9 cm to 73.7 cm)
Fowler Angle w/CPR Mechanism	0° to 60°
Fowler Angle w/o CPR Mechanism	0° to 65°
Knee Gatch Angle w/o Auto Contour	0° to 32°
Knee Gatch Angle w/Auto Contour	0° to 24°
Trendelenburg/Reverse Trendelenburg	+14° to -14°
-Operating Temperature & Relative Humidity	19° to 30°C (66° to 86°F) and 20% to 80%
-Storage Temperature & Relative Humidity	4° to 43°C (39° to 109°F) and 10% to 90%
Electrical Requirements	100V~, 50-60Hz, 7.5A -Two 250V, 10A Slow Blow Fuses 120V~, 50-60Hz, 4.8A -Two 250V, 10A Slow Blow Fuses 120 V~, 50-60Hz, 9.8A w/Auxiliary Outlet - Two 250V, 10A Slow Blow Fuses 200V~, 50-60Hz, 3.2A -Two 250V, 6.3A Slow Blow Fuses 220V~, 50-60Hz, 2.9A -Two 250V, 6.3A Slow Blow Fuses 240V~, 50-60Hz, 2.7A -Two 250V, 6.3A Slow Blow Fuses

\* Stryker Bertec pays special attention to product improvement and reserves the right to change specifications without notice.

### 1.2 TECHNICAL SUPPORT

For questions regarding this product, contact the following Technical Service department or your local representative:

#### In Canada:

Stryker Bertec Medical Inc  
Service in English: 1 800 428-5025  
Service in French: 1 800 361-2040  
E-mail (in Canada): [service@bertec.strykercorp.com](mailto:service@bertec.strykercorp.com)  
70, 5<sup>th</sup> Avenue, P.O. Box 128  
L'Islet (Québec), G0R 2C0, Canada

#### In the United States:

Stryker Medical  
1 800 327-0770  
6300, South Sprinkle Road  
Kalamazoo, MI 49001-9799  
USA

### 1.3 WARNING, CAUTION, NOTE DEFINITION

The words WARNING, CAUTION and NOTE carry special meanings and should be carefully reviewed.



#### WARNING

The personal safety of the patient or user may be involved. Disregarding this information could result in injury to the patient or user.



#### CAUTION

These instructions point out special procedures or precautions that must be followed to avoid damaging the equipment.

#### NOTE

Notes provide special information to make maintenance easier or important instruction clearer.

### 1.4 STATIC DISCHARGE PRECAUTIONS

The electronic circuits of the bed are protected from static electricity damage only while the bed is assembled. It is extremely important that all service personnel always use adequate static protection when servicing the electronic components of the bed.

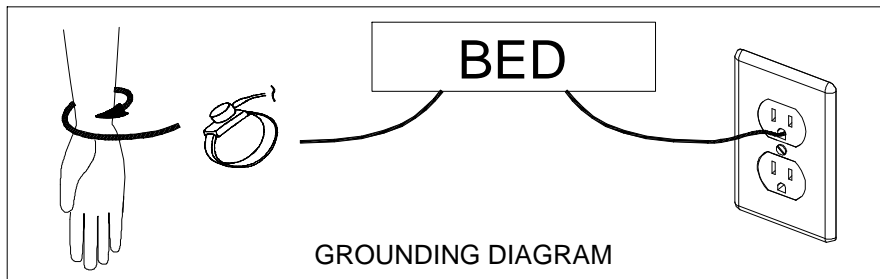
#### Static Protection Equipment

The necessary equipment for a proper static protection is:

- 1 static wrist strap
- 1 grounding plug
- 1 test lead with a banana plug on one end and an alligator clip on the other.

#### Static Protection Procedure

1. Unplug the bed power cord from the wall receptacle.
2. Insert the grounding plug into a properly grounded hospital grade wall receptacle. Plug the banana plug of the test lead into the receptacle on the grounding plug. Connect the alligator clip on the other end of the test lead to a ground point on the bed.
3. Place the static control wrist strap on your wrist. Connect the clip at the other end of the wrist strap cord to a ground point on the bed.



## 1.5 WARRANTY

### LIMITED WARRANTY

All Stryker Bertec products are guaranteed against material or manufacturing defects, improper operation of mechanisms, and premature wear of bed components under normal use conditions.

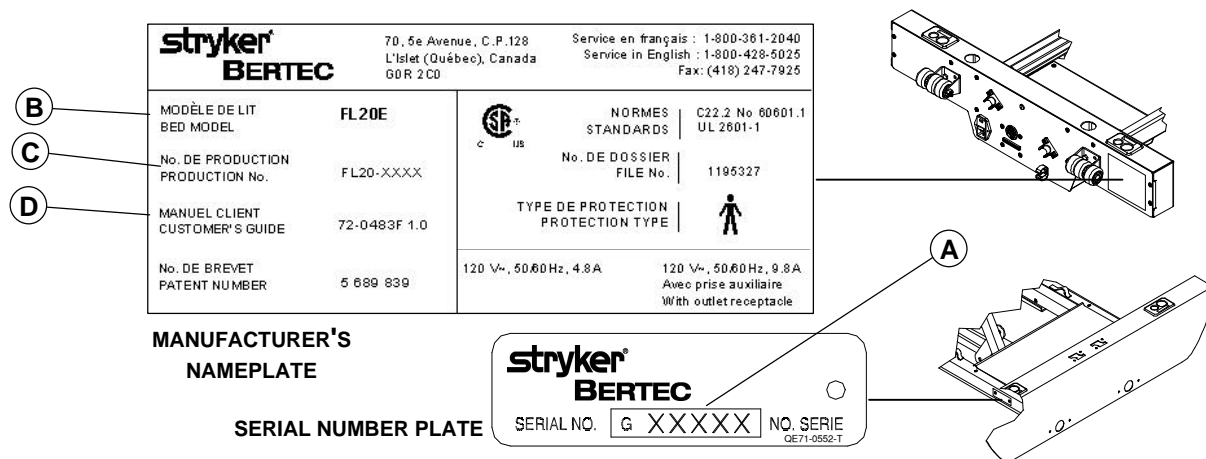
For questions regarding warranty, please contact Stryker Bertec Technical Service department (see page 5, “Technical Support”) or your local representative.

### TO OBTAIN SERVICE AND/OR PARTS

- **To Require Service**

For an on-site diagnosis of a malfunction by one of our Field Service Representative, contact our Technical Service department (see page 5, “Technical Support”) or your local representative.

- **To Order Parts**



In order to correctly identify and order parts to be replaced, proceed as follow:

- Locate the serial number plate and the manufacturer's nameplate affixed respectively to the right side of the mobile frame at the foot end of the bed, and to the right side of the head end casing cover.
- From the serial plate, write down the serial number (A).
- From the manufacturer's nameplate, write down the bed model (B), the production number (C), ex. FL20-XXXX, and the Customer's Guide number (D).
- Consult the parts lists and the drawings contained in the Parts List Manual included in the Customer's Guide to identify the defective part. Write down the name of the part and its part number, and the problem encountered while using the equipment.

#### NOTE

It is very important that you refer to the parts lists and drawings of the Parts List manual specific to the bed needing repair.

- Contact our Technical Service department (see page 5, “Technical Support”) or your local representative and provide all the previously noted information.
  - Bed model
  - Serial number and production number
  - Name and part number of the defective parts
  - Problem encountered

**NOTE**

We will do our best to help you identify the parts to be replaced. However, if an error occurs when ordering, the user remains responsible for identifying the parts to change. Stryker Bertec will take back wrong parts ordered but will not assume shipping charges, and restocking fees will be charged to the user unless a Technical Service Representative has been requested for an on-site diagnosis of the malfunction.

**RETURN AUTHORIZATION**

Merchandise cannot be returned without approval from the Stryker Bertec Technical Service department. An authorization number will be provided, which must be clearly printed on the returned merchandise. Stryker Bertec reserves the right to charge shipping and restocking fees on returned items.


**DAMAGED MERCHANDISE**

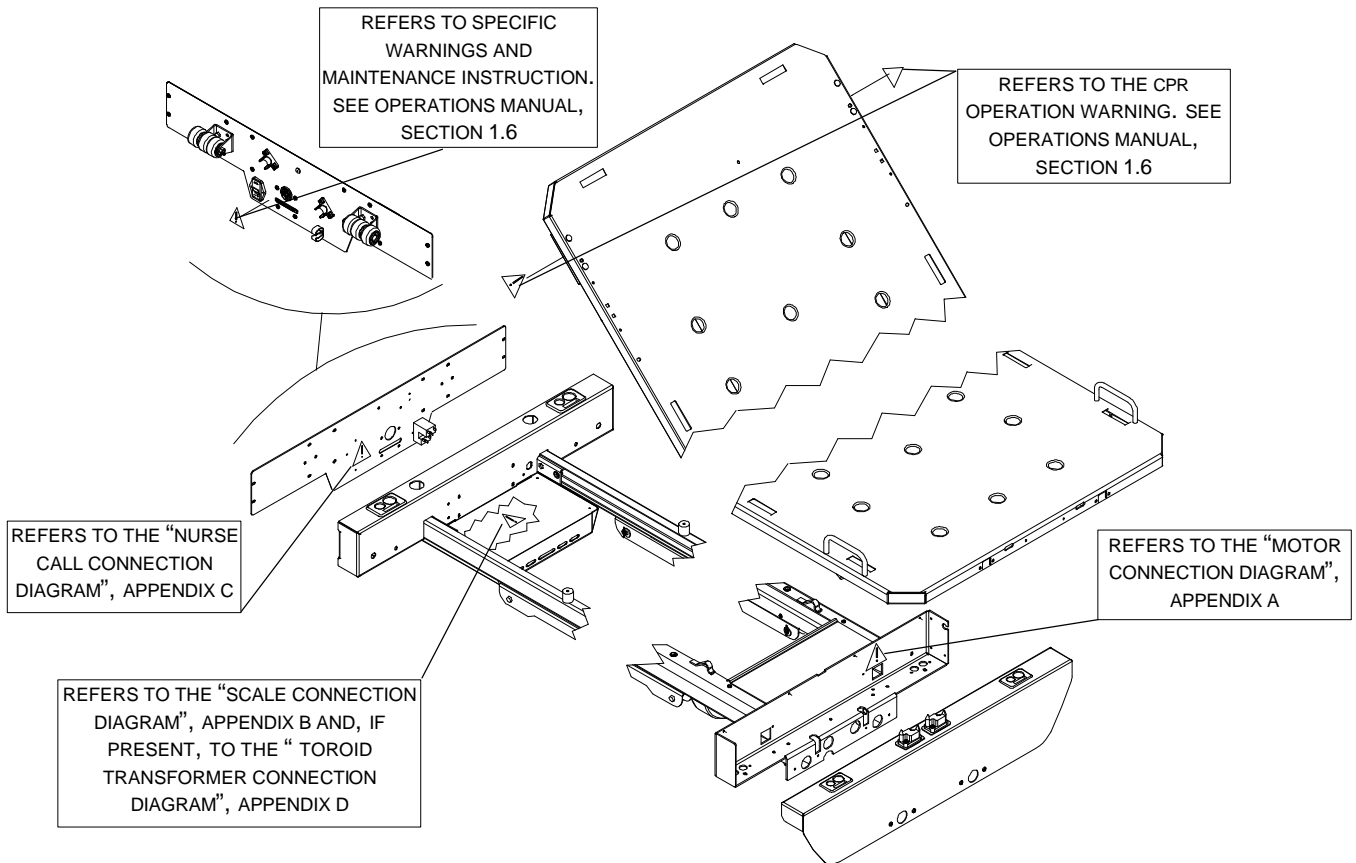
Claims for damaged merchandise must be made with the carrier within fifteen (15) days of receipt of merchandise. **DO NOT ACCEPT DAMAGED SHIPMENTS UNLESS SUCH DAMAGE IS NOTED ON THE DELIVERY RECEIPT AT THE TIME OF RECEIPT.** Upon prompt notification, Stryker Bertec will file a freight claim with the appropriate carrier for damages incurred. Claims will be limited in amount to the actual replacement cost. In the event that this information is not received by Stryker Bertec within the fifteen (15) day period following the delivery of the merchandise, or the damage was not noted on the delivery notice at the time of receipt, the customer will be responsible for payment of the original invoice in full.

Claims for any short shipment must be made within 5 days of invoice.



## 1.6 SYMBOLS

On some places of the bed structure, the warning  symbol will be present to refer the reader to specific sections of this Maintenance Manual and to specific information in the Operations Manual. See illustration below for the reference of each warning symbol.



**Figure 1.6**

## 2. PREVENTATIVE MAINTENANCE

### 2.1 BED CLEANING AND MATTRESS CARE

---



#### **WARNING**

Always unplug the bed power cord from the wall outlet when cleaning or servicing the bed.

---



#### **CAUTION**

Do not use harsh cleaners, solvents or detergents. Equipment damage could occur. Do not steam clean, hose off or ultrasonically clean the bed. Do not immerse any part of the bed. The bed electrical parts may be damaged by exposure to water.

Germicidal disinfectant, used as directed, and/or Chlorine Bleach products are not considered mild detergents. These products are corrosive in nature and may cause damage to your bed if used improperly. If these types of products are used, ensure the beds are wiped with clean water and thoroughly dried following cleaning. Failure to properly rinse and dry the beds will leave a corrosive residue on the surface of the bed, possibly causing premature corrosion of critical components. Failure to follow the above directions when using these types of cleaners may void this product warranty.

#### **CLEANING BEDS**

Hand wash all surfaces of the bed with a soft cloth moistened with a solution of lukewarm water and a mild detergent.

Wipe the bed clean and dry thoroughly to avoid build up of cleaning solution.

#### **MATTRESS CARE**

---



#### **WARNING**

Inspect the mattress after each use. Discontinue use if any cracks or rips are found in the mattress cover that may allow fluid to enter the mattress. Failure to properly clean the mattress, or dispose of it if defective, may increase the risk of exposure to pathogenic substances and may cause injury to the patient and/or user.

---

- **Inspection**

Implement local policies to address regular care, maintenance, and cleaning of mattresses and covers. The cover cleaning procedure can be found below and on the bed label.

Inspect mattress cover surface (also zip fasteners and cover inner surface if mattresses have zip fasteners) regularly for signs of damage. If the mattress cover is stained, soiled, or torn, remove the mattress from service.

- **Cleaning**

Stains: Wash with lukewarm water using a mild detergent. Rinse with water and let dry. For tough stains use bleach diluted with ten parts of water.

**2.2 LUBRICATION REQUIREMENTS**

Listed below are the lubrication points and their recommended time interval check. When needed, lubricate these points with OG2 grease (Stryker Bertec part number M0027).

**WARNING**

The use of type of grease other than the one recommended (OG2 grease) could lead to deterioration of critical parts and to mechanism failure, resulting in injury to the patient and/or user and damage to the bed.

**CAUTION**

The **GOBED+** uses oil-impregnated shoulder spacers at hinge points. **Do not** lubricate these shoulder spacers. When shoulder spacers are found worn, replace them.

**ANNUAL CHECKLIST:**

- \_\_\_ The Hi-Lo lever nylon sliders and their shaft (see fig. 2.2A, page 12). Check that grease is still present along the course of the sliders (inner bottom and side surfaces of the rail).
- \_\_\_ The lower mounting points (see fig. 2.2A, page 12) of the Hi-Lo system stabilizer.
- \_\_\_ The siderail plungers and plunger springs (see fig. 2.2B, page 12).
- \_\_\_ The siderail arm glide rods (see fig. 2.2B, page 12).

**TWO YEAR INTERVAL CHECKLIST:**

- \_\_\_ The two Hi-Lo and the head section actuator tubes (see fig. 2.2C, page 12) to facilitate their sliding into the support tubes. Raise the bed and the head section to full up and apply grease on the actuator tubes.
- \_\_\_ The four actuator screws (see fig. 2.2C, page 12). Refer to section 4.11.
- \_\_\_ The clevis pins and nylon washers linking the four actuator tubes to their anchor points: the head and thigh section lever arms and the two Hi-Lo lever arms (see fig. 2.2C, page 12).
- \_\_\_ The four actuator bolts holding them to their brackets as well as the inner sides of the brackets, including the pivot pin (see fig. 2.2C, page 12).
- \_\_\_ The micro switch activator (see fig. 2.2E, page 12) of the Auto Contour positioning mechanism.

**FIVE YEAR INTERVAL CHECKLIST:**

- \_\_\_ The siderail shafts and transfer plate sleeves (see fig. 2.2B, page 12).
- \_\_\_ The inside of the Hi-Lo lever molded bearings (see fig. 2.2A, page 12).
- \_\_\_ The damper spacer sleeves and the fixed and mobile levers (see fig. 2.2D, page 12) from the instant CPR release mechanism.

**Serial Number:** \_\_\_\_\_  
 \_\_\_\_\_  
 \_\_\_\_\_  
 \_\_\_\_\_

**Completed by:** \_\_\_\_\_ **Date:** \_\_\_\_\_

LUBRICATION POINTS ILLUSTRATED

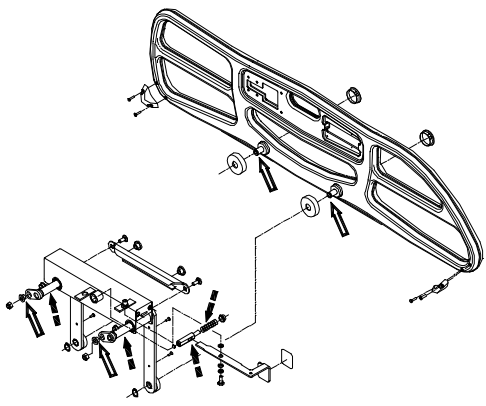


Figure 2.2B

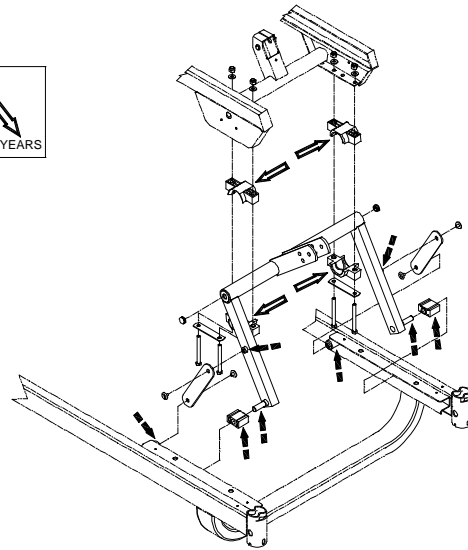
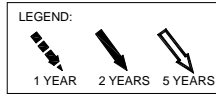


Figure 2.2A

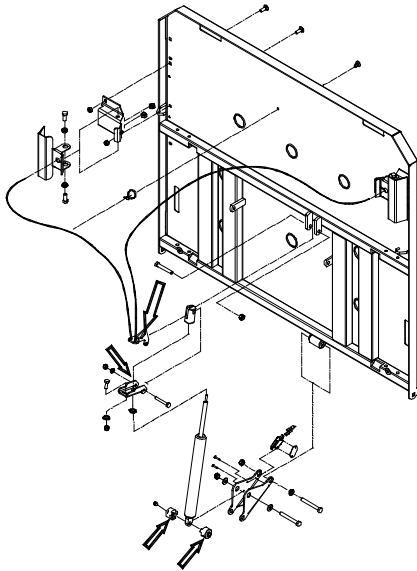


Figure 2.2D

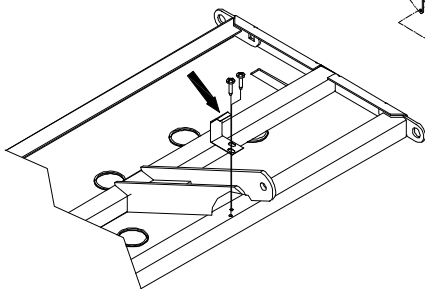
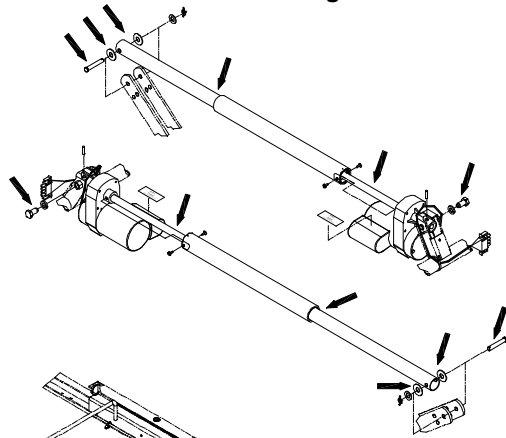


Figure 2.2E

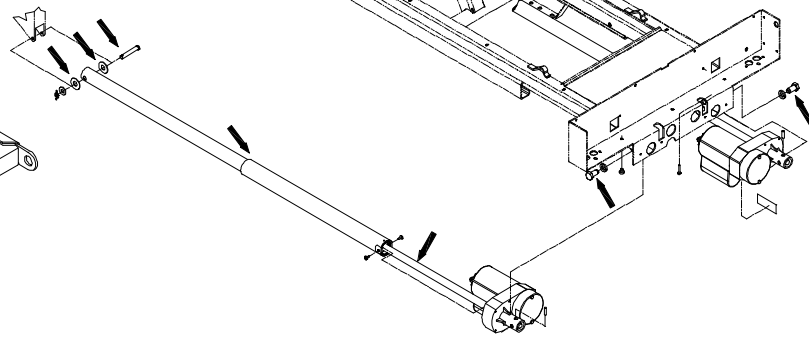



Figure 2.2C

Figure 2.2

**2.3 PREVENTATIVE MAINTENANCE PROGRAM****WARNING**

When servicing use only identical replacement parts provided by Stryker Bertec.

**ANNUAL CHECKLIST**

- \_\_\_ All fasteners secure.
- \_\_\_ Inspect for excessive wear the oil-impregnated bronze shoulder spacers found at the bed hinge points. Replace as needed. **Do not** lubricate these spacers.
- \_\_\_ Engage the "TOTAL BRAKE" pedal at both sides of the bed and ensure that two of the four casters, diagonally opposed, lock.
- \_\_\_ Engage the "Axial Steer" pedal at both side of the bed to put the bed in the steer mode and ensure that the fifth steer wheel engages properly.
- \_\_\_ Siderails move, lock in high position and stow properly.
- \_\_\_ All functions on the foot board working properly (including LED's).
- \_\_\_ All siderail functions working properly. Verify the nurse call function, alarm sounds in the nurse station?
- \_\_\_ Calibrate the optional scale system (see section 4.6). If the weight reading following the calibration is not correct, check the four load cells (see section 4.7).
- \_\_\_ Optional CPR hold-to-run release handles working properly. Fowler and Knee Gatch (if raised) flatten. Fowler control motor resets itself automatically as soon as the fowler is completely lowered.
- \_\_\_ Verify the Fowler and Knee Gatch movements to ensure that their motor course is properly adjusted. Refer to Caution following step 10 of the Thigh and Head Actuator Replacement procedures, page 40 and 41.
- \_\_\_ 120V auxiliary outlet (optional only with 120V electric system beds) working properly.
- \_\_\_ Optional photoelectric night light working properly.
- \_\_\_ Automatic foot prop rod working properly with the Knee Gatch or Auto Contour activated.
- \_\_\_ No cracks or splits in the boards and siderails.
- \_\_\_ Head end bumpers tightly secured to frame and working properly.
- \_\_\_ No rips or cracks in mattress cover.
- \_\_\_ Power cord not frayed, no cables worn or pinched, all electrical connections tight, all grounds secure to the frame.
- \_\_\_ All casters roll properly. Check caster tire for cuts, wear, etc.
- \_\_\_ Ground chain intact and in place.
- \_\_\_ Inspect and lubricate, if needed, the bed lubrication points described in section 2.2 of the maintenance manual.
-  \_\_\_ Measure current leakage and grounding continuity of the bed and the optional auxiliary outlet (check with our Technical Service department for the acceptable values).

**NOTE**

Preventive maintenance may need to be performed more frequently based on the usage level of the bed.

**Serial Number:** \_\_\_\_\_  
 \_\_\_\_\_  
 \_\_\_\_\_

**Completed By:** \_\_\_\_\_ **Date:** \_\_\_\_\_

**RECOMMENDED SPARE PARTS**

The following is a list of recommended on hand spare parts for the GOBED<sup>+</sup> .

	<b>Part Number</b>	<b>Parts Lists</b>
<b>ELECTRONIC/ELECTRICAL ASSEMBLY PARTS</b>		
Motor control board	QDF20-0180	OL200016
Optional scale control board, English language	QDF20-0117	OL200016
Optional display control board	QDF20-0119	OP200031/35
Optional Nurse call control board	QDF20-0126	OL200010
Optional GEN III control board	QDF20-0121	OL200011
Load cell (short cable)	QDF20-0013	L20-001
Load cell (long cable)	QDF20-0014	L20-001
Control board stand off pins	QDF8011	OL200016
Strain relief bushing	QPNC0604	OL200016
Removable power cord 120V	QDF8066	OL200014
External power cable connector	QDF8069	OL200016-20
10 Amp fuse	QDF8067	OL200016-20
Micro switch	1325P003	L20-005 OL200001
Optional night light	QDF9539	OL200002
Optional auxiliary double socket outlet	QDF8024	OL170014
Medical toroid transformer (international series)	QDF14-1160	OL200017-20
Hi-Lo actuator assembly	QDF17-0005	OL200016
Knee Gatch actuator assembly	QDF17-0006	OL200016
Head actuator assembly	17-0041	OL200016
<b>CONTROL PANEL ASSEMBLY PARTS</b>		
<b><i>Foot Board Control Membrane</i></b>		
Scale / mounting plate	QDF20-0035/ QP20-0043-07	OP200031
Bed Exit / mounting plate	QDF20-0035/ QP20-0043-07	OP200032
Bed Exit w/zone ctrl / mounting plate	QDF20-0045/ QP20-0043-07	OP200034
Scale and Bed Exit w/zone ctrl / mounting plate	QDF20-0044/ QP20-0043-07	OP200035
<b><i>Siderail Control Membrane w/o Nurse Call (not backlighted)</i></b>		
Left membrane/outer side / mounting plate	QDF20-0109/ QP20-0105-07	OL200074
Left membrane/inner side / mounting plate	QDF20-0110/ QP20-0105-07	OL200074
Right membrane/outer side / mounting plate	QDF20-0108/ QP20-0105-07	OL200074
Right membrane/inner side / mounting plate	QDF20-0111/ QP20-0105-07	OL200074

**Siderail Control Membrane w/Nurse Call (not backlighted)**

Left inner membrane / mounting plate	QDF20-0112/ QP20-0105-07	OL200075
Right inner membrane / mounting plate	QDF20-0113/ QP20-0105-07	OL200075
Speakerphone inner membrane / mounting plate	QDF20-0114/ QP20-0047-07	OL200075
Speakerphone	QDF20-0087	OL200075

**Siderail Control Membrane w/o Nurse Call (Backlighted)**

Left membrane/outer side / mounting plate	QDF20-0142/ QP20-0105-07	OL200008
Left membrane/inner side / mounting plate	QDF20-0143/ QP20-0105-07	OL200008
Right membrane/outer side / mounting plate	QDF20-0141/ QP20-0105-07	OL200008
Right membrane/inner side / mounting plate	QDF20-0144/ QP20-0105-07	OL200008

**Siderail Control Membrane w/Nurse Call (Backlighted)**

Left inner membrane / mounting plate	QDF20-0145/ QP20-0105-07	OL200075
Right inner membrane / mounting plate	QDF20-0146/ QP20-0105-07	OL200075

**SIDERAIL ASSEMBLY PARTS**

Space Reducer	QP20-0036-07	OL200068
Right release lever	17-0425P	OL200067-68
Left release lever	17-0424P	OL200067-68
Shaft plug	QP17-0364-07	OL200067-68
Protective cap	QP18748-07	OL200067-68

**MATTRESS SUPPORT ASSEMBLY**

Mattress retainer	QPN-14034-2	L20-003
CPR release cables: normal and short	QDF19-0354/QDF19-0815	OL200001
CPR pneumatic cylinder	QDF5090	OL200001

**BASE ASSEMBLY PARTS**

Caster with locking system	RT61C	L17-013
Caster without locking system	T61CSW	L17-013
Steer wheel caster	RL5	L17-005
Pedal green treadle tip	QPN-18028	L17-014
Pedal red treadle tip	QPN-18029	L17-014

**MISCELLANEOUS**

OG-2 grease	M0027	
Thread locker - medium strength (blue)	M008	
Sand gray aerosol spray paint	DDCAP-GSP	
Shoulder spacer	QDF17-0020	L20-003
Rue ring cotter dia. 3/8" p.z.	QDF7878	OL200016-20
Elastomer sleeves	QP20-0037-00	L20-001

### 3. TROUBLESHOOTING

Please consult the following troubleshooting checklist and call our Technical Service department (see page 5 “Technical Support”) if none of the recommended actions described below solves the problem.

#### 3.1 TROUBLESHOOTING GUIDE

PROBLEM/FAILURE	WHAT TO CHECK
No power to bed	<p><b>A</b> Is the bed power switch turned on?</p> <p><b>B</b> Is the power cord connected to the bed head end connector and plugged into the wall outlet?</p> <p><b>C</b> Is the power cord severed? Replace if needed.</p> <p><b>D</b> Are the two fuses inside the power cable connector still operational (see section 4.5)</p> <p><b>E</b> Verify power at wall outlet.</p>
No bed up or down motion when: 1. the foot board command is used 2. the siderail command is used	<p><b>1 &amp; 2A</b> Verify the “No power to bed” section above.</p> <p><b>2B</b> Is the Hi-Lo lockout control activated in the foot board control panel? Deactivate it</p> <p><b>2C</b> Is the siderail control panel cable properly connected to the bed connector under the sleep surface?</p>
No Fowler up or down motion when: 1. the foot board command is used 2. the siderail command is used	<p><b>1 &amp; 2A</b> Verify the “No power to bed” section above.</p> <p><b>2B</b> Is the Fowler lockout control activated in the foot board control panel? Deactivate it</p> <p><b>2C</b> Is the siderail control panel cable connected to the bed connector under the sleep surface?</p>
No Knee Gatch up or down motion when: 1. the foot board command is used 2. the siderail command is used	<p><b>1 &amp; 2A</b> Verify the “No power to bed” section above.</p> <p><b>2B</b> Is the Knee Gatch lockout control deactivated in the foot board control panel?</p> <p><b>2C</b> Is the siderail control panel cable connected to the bed connector under the sleep surface?</p>
No Auto Contour motion	<p><b>A</b> Verify the “No power to bed” section above.</p> <p><b>B</b> Is the Auto Contour control activated (LED off)?</p>
The weight shown on the scale system display is incorrect.	<p><b>A</b> Zero the bed without the patient on it (see section 2.16 of the Operations Guide).</p> <p><b>B</b> Calibrate the bed (see section 4.6).</p>
Display reads OVERLOAD or shows incorrect weight.	<p><b>A</b> One of the load cell cables loosely or not connected to scale control board (see figure 4.8, page 32 for the load cell cable connecting positions).</p> <p><b>B</b> Run the Cell Verification mode to detect a possible load cell failure (see section 4.7).</p>
Angle shown on the scale system display is incorrect	<p><b>A</b> Calibrate the bed (see section 4.6).</p>



<p>Scale display does not turn on when the scale system is activated.</p>	<ul style="list-style-type: none"> <li><b>A</b> Press twice on the ENTER key.</li> <li><b>B</b> Turn the bed power switch off and turn it on.</li> <li><b>C</b> Scale user interface cable loosely or not connected to the scale control board (see figure 4.4A, page 27 for the illustration of the cable connecting position).</li> <li><b>D</b> Lift the foot board and replace it into position taking care to completely push it down so that the connectors matched correctly.</li> </ul>
<p>Bed Exit system does not operate properly.</p>	<ul style="list-style-type: none"> <li><b>A</b> Verify that the load cell cables are properly connected to the scale control board (see figure 4.8, page 32 for the illustration of the load cell cable connecting positions).</li> </ul>
<p>Bed Exit system does not work at all or alarm sounds when the Bed Exit is activated.</p>	<ul style="list-style-type: none"> <li><b>A</b> One of the load cell cables loosely or not connected to scale control board (see figure 4.8, page 32 for the load cell cable connecting positions).</li> <li><b>B</b> Run the Cell Verification mode to detect a possible load cell failure (see section 4.7).</li> </ul>

## 4. MAINTENANCE PROCEDURES



### WARNING

Only qualified maintenance personnel should perform the procedures detailed in this maintenance guide. Failure to observe this restriction can result in serious damage to material and/or severe injury to people.

When working under the bed with the bed in the high position, always place blocks under the mattress support frame and apply the brakes to prevent injury in case the bed down switch is accidentally pressed.

Always unplug the bed power cord from the wall outlet when servicing or cleaning the bed.

### NOTE

Throughout this operations manual, the words “right” and “left” refer to the right and left sides of a patient lying face up on the bed.

### 4.1 SIDERAIL ASSEMBLY COMPONENT REPLACEMENT

#### FOOT SIDERAIL ASSEMBLY (Attached to Support Frame)

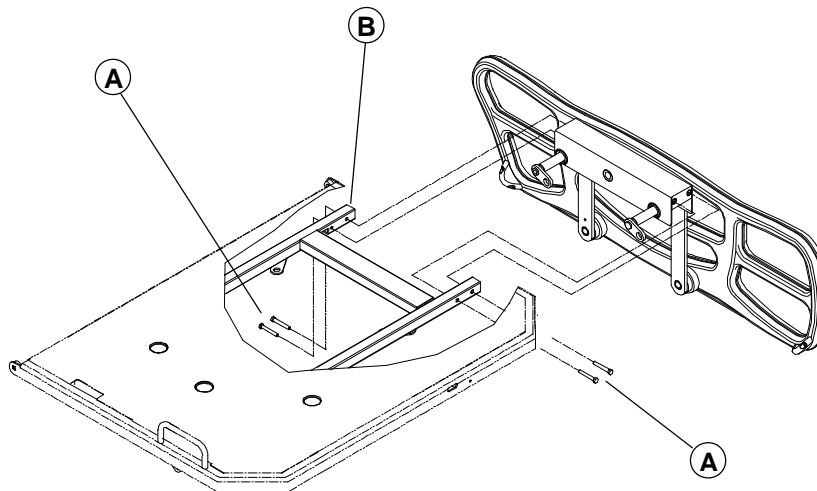


Figure 4.1A

#### Required Tools:

5/32" Allen Key

#### Replacement procedure:

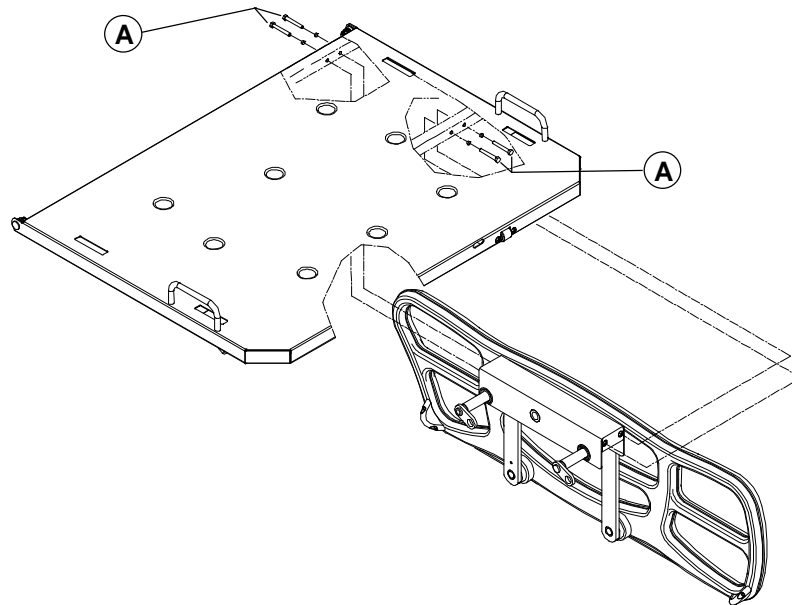
1. Run the bed fully up and apply the brakes. Lower the foot siderail needing repair.
2. Run the Knee Gatch fully up and unplug the power cord from the wall receptacle.
3. Manually fold the foot section back toward the head end of the bed (see appendix E, fig. 4.1)
4. Using a 5/32" Allen key, remove the four screws (A) holding the siderail assembly to the support frame (B). Support the assembly before removing the last screw on each side.



### WARNING

The four screws (A) used to mount the siderail assembly cannot be reused because their Scotch-Grip coating is less efficient once they have been tightened and removed thereafter. They **must** be replaced with new identical screws.

5. Lift up and remove the siderail assembly.
6. Reverse the above steps to install the replacement foot siderail assembly.
7. Verify the foot siderail for proper operation before returning the bed to service.

**FOOT SIDERAIL ASSEMBLY (Attached to Foot Section)****Figure 4.1B****Required Tools:**

5/32" Allen Key

**Replacement procedure:**

1. Run the bed fully up and apply the brakes. Lower the foot siderail needing repair.
2. Run the Knee Gatch fully up and unplug the power cord from the wall receptacle.
3. Manually fold the foot section back toward the head end of the bed (see figure 4.1 in Appendix E).
4. Using a 5/32" Allen key, remove the four screws (A) holding the siderail assembly to the foot section.

**WARNING**

The four screws (A) used to mount the siderail assembly cannot be reused because their Scotch-Grip coating is less efficient once they have been tightened and removed thereafter. They **must** be replaced with new identical screws.

5. Lift up the siderail assembly to disengage it from the anchor point (not illustrated) and remove the assembly.
6. Reverse the above steps to install the replacement foot siderail assembly.
7. Verify the foot siderail for proper operation before returning the bed to service.

## HEAD SIDERAIL ASSEMBLY

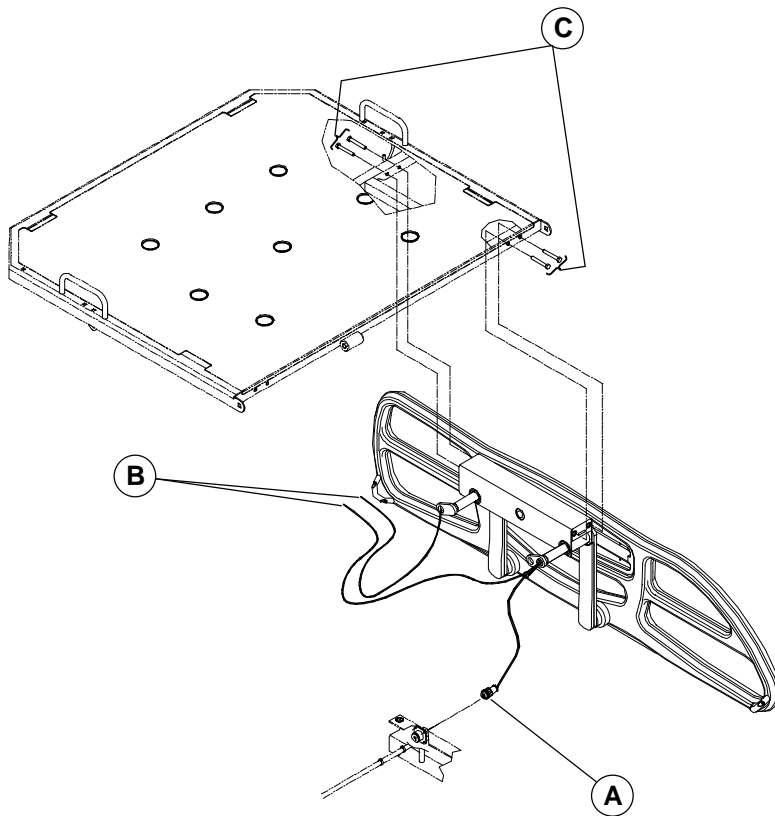


Figure 4.1C

**Required Tools:**

5/32" Allen Key          Cutters

**Replacement Procedure:**

1. Run the bed and the Fowler fully up and apply the brakes.
2. Raise the head siderail needing repair and unplug the power cord from the wall receptacle.
3. Loosen the lock ring and disconnect the siderail control cable plug (A).
4. If the bed is equipped with the optional nurse call w/speakerphone function, proceed with step 5 through the end of the procedure to disengage the two nurse call cables (B). Otherwise proceed with step 8
5. Identify the path of the two nurse call cable toward the head end casing and remove the cable ties holding them to the frame using cutters.

6. Remove the head end casing cover (see step 1 to 4 of the "Optional Nurse Call Control Board" replacement procedure, page 28).
7. Disconnect the two nurse call cable connectors from the nurse call control board and pull the cables out of the head end casing.

**NOTE**

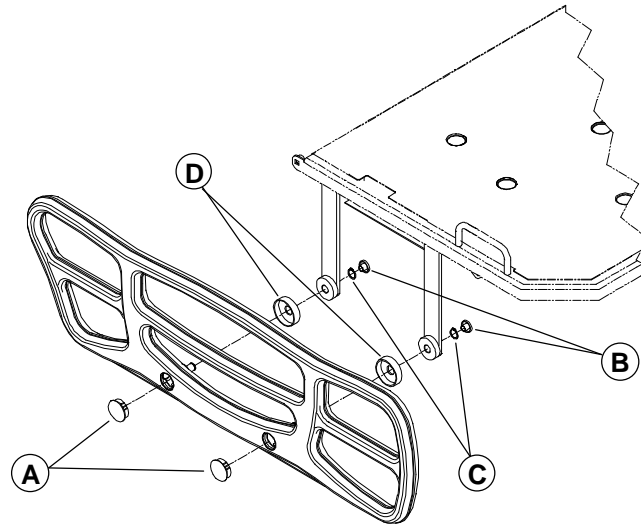
The speakerphone cable connector is too large to be pulled out from the head end casing, it will have to be severed from the cable. Make sure you get this connector when ordering the head siderail assembly. The connector will have to be mounted to the speakerphone cable before closing the head end casing.

8. Using a 5/32" Allen key, remove the four screws (C) holding the siderail assembly to the head section. Begin with the two screws located near the release lever followed by the two others. Support the assembly when removing the two last screws.

**WARNING**

The four screws (A) used to mount the siderail assembly cannot be reused because their Scotch-Grip coating is less efficient once they have been tightened and removed thereafter. They **must** be replaced with new identical screws.

9. Lift up the assembly to disengage from the anchor pin (not shown) and remove it.
10. Reverse the above steps to install the replacement head siderail assembly.
11. Verify the siderail motion and all the siderail controls, including the optional nurse call function, for proper operation before returning the bed to service.

**FOOT RAIL****Figure 4.1D****Required Tools:**

Small Screwdriver      Hammer      Blunt Ended Tool      OG2 Grease (P/N M0027)

**Replacement Procedure:**

1. Run the bed fully up and apply the brakes. Raise the foot siderail needing a rail replacement.
2. Unplug the power cord from the wall receptacle.
3. Use a small screwdriver to remove the plastic shaft plug (A) sealing the front part of the two rail shafts.

**NOTE**

We recommend that you have some of these dome caps (P/N QP17-0364-07) on hand because they can hardly be removed without damaging them.

4. Use a hammer and a blunt-ended tool to remove the nylon protective caps (B) from the rear part of the two rail shafts.
5. Remove the lock ring (C) from each shaft and remove the defective rail. Keep the nylon siderail spacer (D).

**NOTE**

Apply grease on the rail shafts before installing the rail.

6. Reverse the above steps to install the replacement rail.
7. Verify the rail for proper operation before returning the bed to service.

**HEAD RAIL**

Replacing the rail of a head siderail is a complex task requiring technical knowledge of the product. We recommend that you contact our Technical Service department (see page 5, "Technical Support") before attempting to do so.

## 4.2 FOOT BOARD CONTROL PANEL COMPONENT REPLACEMENT

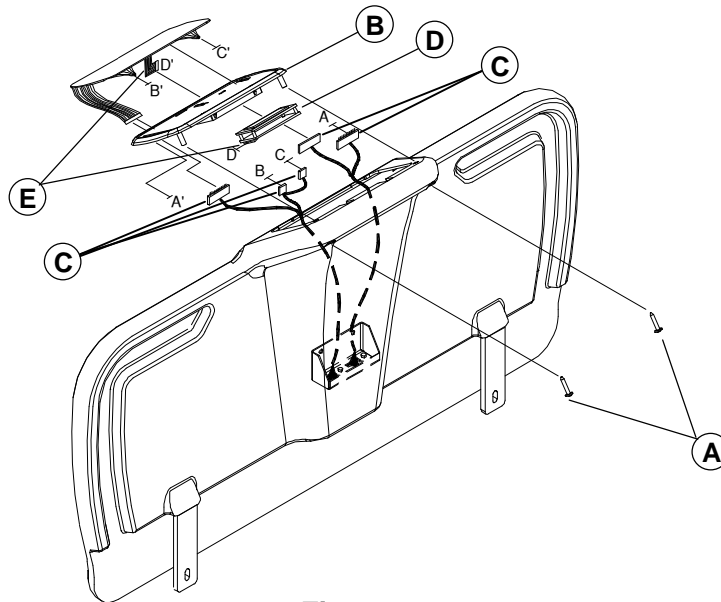


Figure 4.2

### NOTE

Unless otherwise stated, all reference points contained in section 4.2 procedures will refer to figure 4.2 above.

### CONTROL PANEL MEMBRANE

#### NOTE

A foot board control panel membrane ordered as a replacement part will be shipped with its support, already affixed to it. Different models of membrane are available depending on the equipment present on the bed. The Technical Service representative will help in determining the right membrane for your bed.

#### Required Tools:

Phillips Screwdriver

#### Replacement Procedure:

1. Run the bed fully up and apply the brakes.
2. Unplug the power cord from the wall receptacle.
3. Remove the head board and lay it on a workbench.
4. Using a Phillips screwdriver, loosen five to six turns the two screws (A) holding in place the membrane support (B).
5. Push on the two screws to snap out the membrane support from its location.
6. Remove completely the two screws and, while holding the membrane support, remove all the cables (C) connected to the membrane. Carefully note the locations of the cables so they will be connected properly to the replacement membrane. Remove the defective membrane and its support.
7. If the bed is equipped with the optional Weigh system (scale), pull the scale display (D) out of its housing by pulling on the left mounting clip while pressing under the display to disengage it. Remove the cable (E) connected to the display. Keep the display.
8. Reverse the above steps to install the replacement membrane and its support.
9. Verify all the foot board control panel functions for proper operation before returning the bed to service.

## **SCALE DISPLAY (Optional Equipment)**

### **Required Tools:**

Phillips Screwdriver

### **Replacement Procedure:**

1. Run the bed fully up and apply the brakes.
2. Unplug the power cord from the wall receptacle.
3. Remove the head board and lay it on a workbench.
4. Using a Phillips screwdriver, loosen five to six turns the two screws (A) holding in place the membrane support (B).
5. Push on the two screws to snap out the membrane support from its location.
6. Remove completely the two screws and, while holding the membrane support, remove all the cables (C) connected to the membrane. Carefully note the locations of the cables so they will be replaced properly to the membrane. Remove the membrane and its support.
7. Remove the display control board (D) from its housing by pulling on the left mounting clip while pressing under the display. Remove the cable (E) connected to it.
8. Remove the defective display.
9. Reverse the above steps to install the replacement display.
10. Verify the scale display for proper operation before returning the bed to service.

### 4.3 SIDERAIL CONTROL PANEL COMPONENT REPLACEMENT

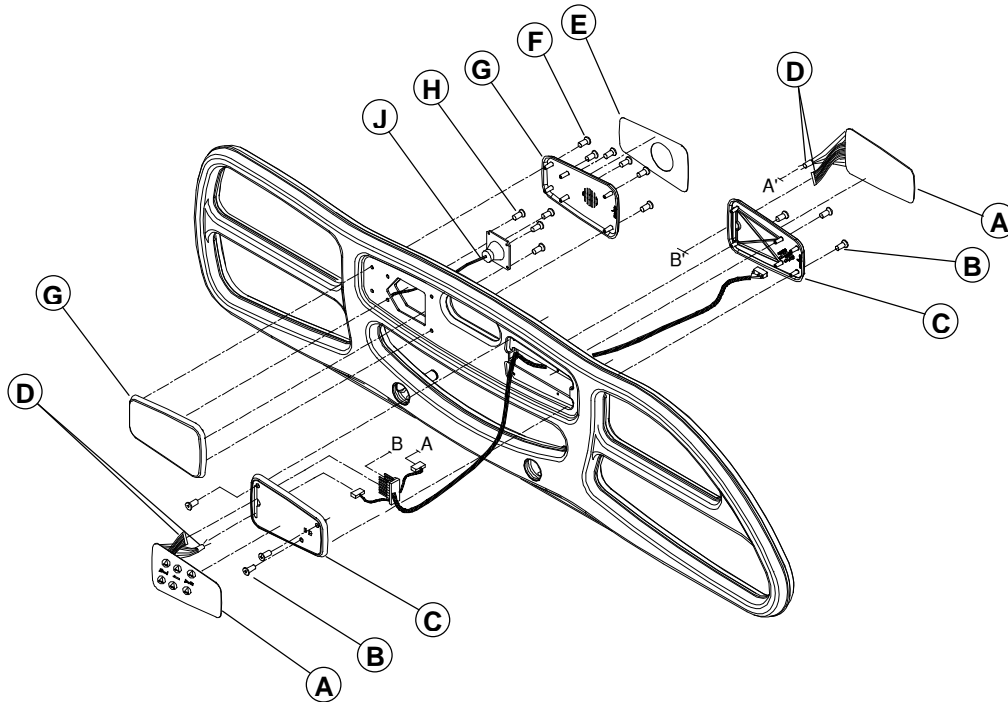


Figure 4.3

**NOTE**

Unless otherwise stated, all reference points contained in section 4.3 procedures will refer to figure 4.3 above.

#### CONTROL PANEL MEMBRANE

**NOTE**

Different siderail membranes may equip a GOBED<sup>+</sup>. Our Technical Service representative (see page 5, “Technical Support”) will help you order the correct membranes.

The replacement of a membrane implies that the one facing it on the inner or outer control panel also has to be replaced. Both must be ordered.

**Required Tools:**

Phillips Screwdriver

**Replacement Procedure:**

1. Run the bed fully up and apply the brakes. Raise the head siderail needing repair.
2. Unplug the power cord from the wall receptacle.
3. Detach the two membranes (A) from their mounting plates and let them hang down.
4. Using a Phillips screwdriver, remove the six screws (B) holding together the two membrane mounting plates (C).
5. Disconnect the membranes cables (D) and remove the membranes.
6. Reverse the above steps to install the replacement control panel membranes.

**NOTE**

Make sure to connect the membrane cables before fastening together the two membrane mounting plates. Affix the membrane to the support at the end of the replacement procedure. Do not remove the membrane peel-off protector before then.

7. Verify all the siderail functions (inner and outer panels) for proper operation before returning the bed to service.



**OPTIONAL NURSE CALL SPEAKERPHONE****NOTE**

The membrane affixed to the nurse call speakerphone panel will have to be replaced. It must be ordered along with the replacement speakerphone.

**Required Tools:**

Phillips Screwdriver

Soldering Iron and Welding Wire

**Replacement Procedure:**

1. Run the bed fully up and apply the brakes. Raise the head siderail needing repair.
2. Unplug the power cord from the wall receptacle.
3. Detach the speakerphone membrane (E) from its mounting plate (G).
4. Using a Phillips screwdriver, remove the six screws (F) holding together the two speakerphone housing parts (G).
5. Using a Phillips screwdriver, remove the four screws (H) holding the speakerphone to the rail.
6. Using a soldering iron, unsolder the two cable wires (J) connected to the speakerphone.

**NOTE**

Use soft solder (alloy of lead and tin) to fix the wires to the speakerphone

7. Reverse the above steps to install the replacement speakerphone.
  8. Verify the nurse call speakerphone for proper operation before returning the bed to service.
- .

## 4.4 CONTROL BOARD REPLACEMENT

### MOTOR CONTROL BOARD

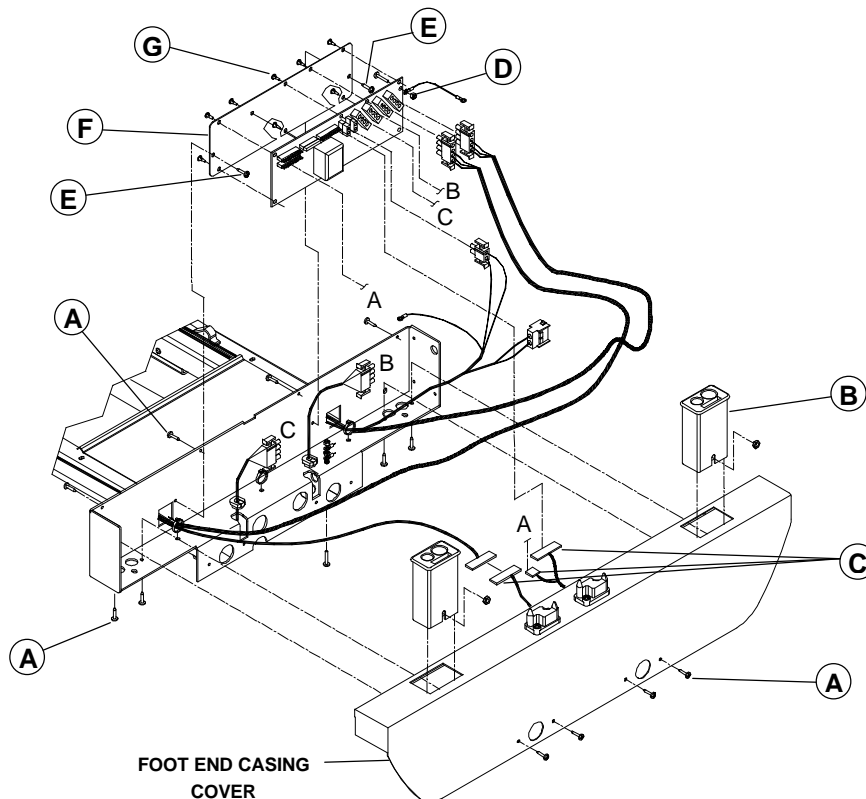


Figure 4.4

#### Required Tools:

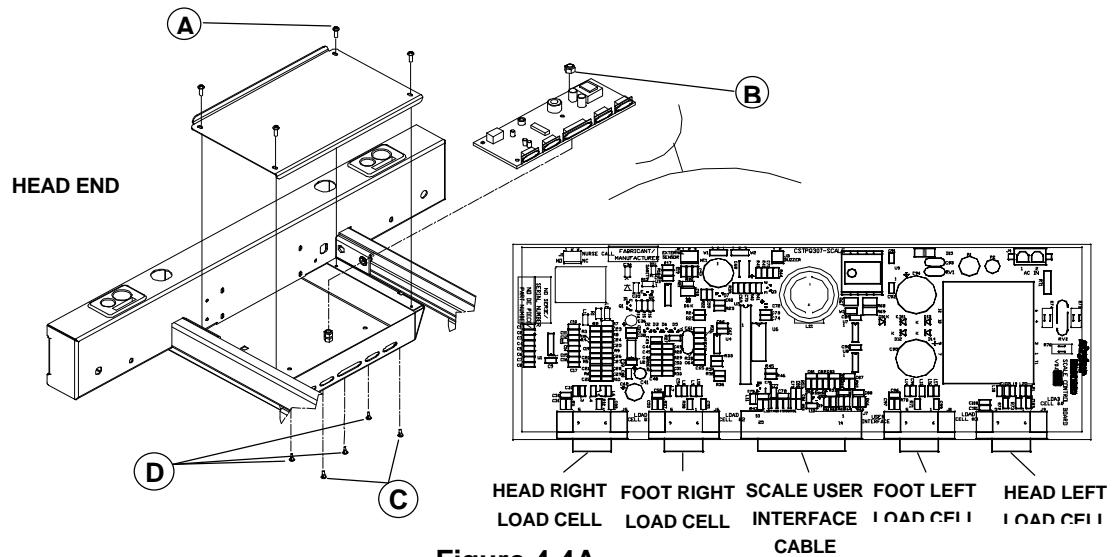
Phillips Screwdriver

3/8" Wrench

Needle Nose Pliers

#### Replacement Procedure:

1. Run the bed fully up and apply the brakes. Unplug the power cord from the wall receptacle and remove the foot panel.
2. Properly ground yourself (see "Static Discharge Precautions", page 6).
3. Using a Phillips screwdriver, remove the 12 screws (A) holding the cover and the two IV pole holders (B) to the foot end casing.
4. Support the cover while disconnecting from the control board and the scale cable extension the three connectors (C). Carefully note the locations of the connectors so they will be reconnected properly. Lay the cover aside.
5. Disconnect all the cables from the control board. Carefully note the locations of the cables so they will be connected properly to the replacement control board.
6. Using a 3/8" wrench, remove the locknut (D) holding the control board ground wire and remove the ground wire.
7. Using a Phillips screwdriver, remove the two screws (E) holding the control board support (F) to the frame and remove the control board support.
8. Using needle nose pliers, compress the stand off pins (G) to remove the control board.
9. Reverse the above steps to install the replacement motor control board.
10. Test all the bed functions for proper operation before returning bed to service.

**OPTIONAL SCALE CONTROL BOARD****Figure 4.4A****NOTE**

When ordering, be sure to mention the PC Board software language.

**Required Tools:**

Phillips Screwdriver

3/8" Wrench

Needle Nose Pliers

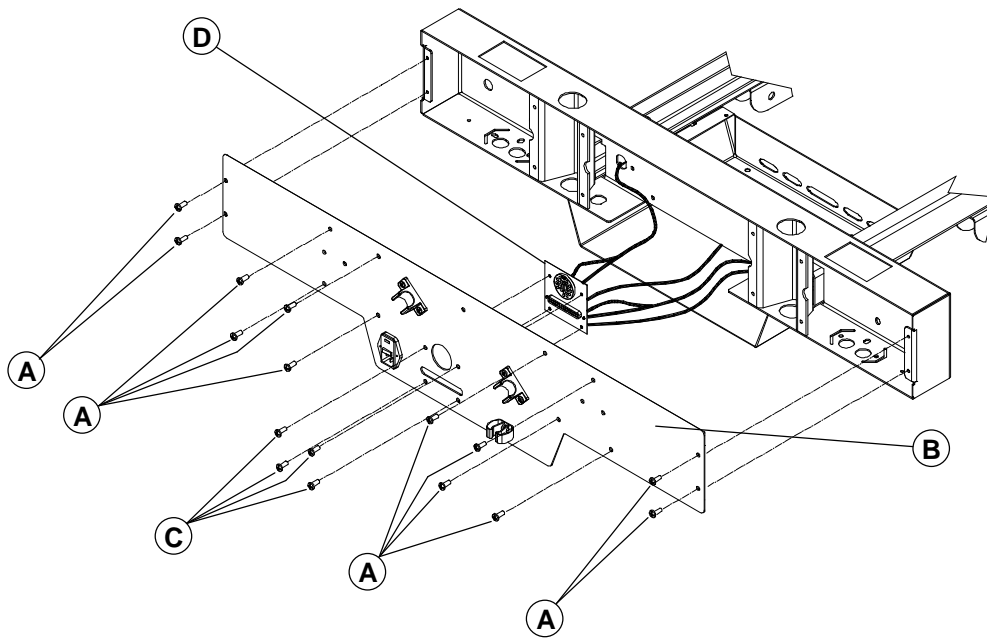
Side Cutters

**Replacement Procedure:**

1. Run the bed fully up and apply the brakes.
2. Run the Fowler fully up and remove the head board.
3. Unplug the power cord from the wall receptacle.
4. Properly ground yourself (see section 1.4, "Static Discharge Precautions").
5. Using a Phillips Screwdriver, remove the four screws (A) holding the cover to the scale control board casing.
6. Disconnect all the cables from the scale control board. Carefully note the locations of the cables so they will be connected properly to the replacement scale control board.
7. Using a 3/8" wrench, remove the ground locknut (B).
8. To remove the PC Board from its location, proceed as follows:
  - Using side cutters, cut the tip of the two front stand off pins (A).
  - Using needle nose pliers, compress the retaining clip of the three remaining stand off pins (D) to disengage the board from the pins.
  - Finally, pull the board backward to disengage the connectors from the housing slots.
  - Once the board is removed, remove what's left of the two front stand off pins by cutting them, using side cutters, either inside or under the board housing. Ensure nothing is left of these pins before installing the replacement board.
9. To install the replacement scale PC Board, proceed as follows:
  - Insert the connectors into their appropriate slots on the housing front panel.
  - Clip the board on the three remaining stand off pins (D).
  - Replace and tighten the ground locknut (B).
  - Insert two new stand off pins through the holes under the housing bottom and the PC Board. Pull up the protruding end of the pins to ensure that their retaining clips are completely inserted through the housing bottom and the PC Board.
10. Replace the housing cover.

11. Connect the load cell cables to the PC Board connectors. See figure 4.4A above for the cables proper connecting position.
12. Replace the head board.
11. Calibrate the scale system. Refer to the “Scale System Calibration” procedure, section 4.6.
12. Ensure the scale system works properly once the calibration procedure is done before returning the bed to service.

**OPTIONAL NURSE CALL CONTROL BOARD**



**Figure 4.4B**

**NOTE**

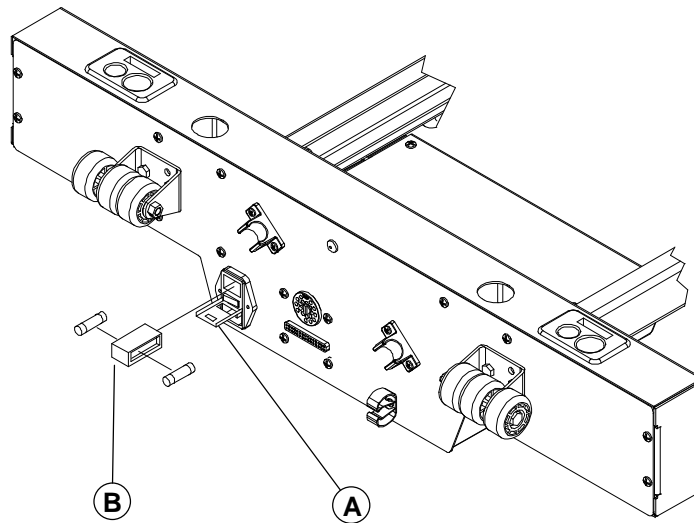
Two type of nurse call control boards are available for the GOBED<sup>+</sup> .. Our Technical service representative (see page 5, “Technical Support”) will help you order the appropriate control card.

**Required Tools:**

Phillips Screwdriver

**Replacement Procedure:**

1. Run the bed fully up and apply the brakes.
2. Unplug the power cord from the wall receptacle and remove the head board.
3. Using a Phillips screwdriver, remove the 12 screws (A) holding the cover (B) to the head end casing.
4. Hold the cover while disconnecting from the nurse call control board all the cables. Carefully note the locations of the cables so they will be connected properly to the replacement nurse call control board. Lay the cover on a workbench.
5. Using a Phillips screwdriver, remove the four screws (C) holding the nurse call control board (D) to the casing cover.
6. Reverse the above steps to install the replacement nurse call control board.
7. Verify the nurse call and, if present, the optional pendant control for proper operation before returning the bed to service.

**4.5 POWER CONNECTOR FUSE REPLACEMENT****Figure 4.5****Required Tools:**

Small Slotted Screwdriver

**Replacement Procedure:**

1. Using a small slotted screwdriver, open and slide down the power connector door (A).
2. Still using the small screwdriver, remove the fuse holder (B).
3. Remove the defective fuse and replace it by a new one.

**NOTE**

Fuses used in the **COBED+** powered by the 120V electrical system are of the slow blow type and their rating is 250V, 10A. For beds powered by other electrical system, see section 1.1 "Specifications" for fuse ratings.

4. Replace the fuse holder in its housing and close the door.
5. Verify the power switch for proper operation before returning the bed to service.

## 4.6 SCALE SYSTEM CALIBRATION

### VERIFYING SCALE ACCURACY:

1. Zero the empty bed (refer to section 2.16 of the Operations manual, “Operating (Zeroing) the Scale Before Putting New Patient in the Bed”).
2. Place a known weight on the centre of the bed. The displayed weight should be within  $\pm 2\%$  if weight is equal or over 100 lb or  $\pm 2$  lb if less than 100 lb.
3. If the displayed weight is not accurate, **remove the weight from the bed** and calibrate the scale.

### SCALE CALIBRATION:

#### Required Tool:

Angle Indicator


#### NOTE

It requires two people to activate the Calibration mode.

1. To enter the Calibration mode, unplug the power cord from the wall receptacle.
2. Verify that the load cell cables are properly connected to the scale control board (see figure 4.8, page 32 for the cable connecting positions).
3. Press and hold down the two MENU Up/Down keys (refer to section 2.16 of the Operations manual for the scale system key identification).
4. While still holding both MENU keys, plug the bed power cord into the wall receptacle. The display will read TO EXIT PRESS ENTER.

#### NOTE

Pressing the ENTER key now would simply cancel this mode and bring the scale back into operation in the Scale mode.

Leaving this scale mode inactive for one minute (not pressing any keys) will cancel the active mode and turn the display off. Pressing the  key will bring the scale display back in the Scale mode.

5. Press the MENU Up key, the display will read CELL CALIB. PRESS ENTER.
6. Press the ENTER key, the display will read PUT BED AT 0° PRESS ENTER.
7. Place an angle indicator on the seat section of the mattress support and bring the mattress support to complete horizontal position (0°). Press the ENTER key. The display will read DO NOT TOUCH BED for a few seconds, followed by PUT BED A +12° PRESS ENTER.
8. Using the angle indicator, incline the bed 12° in the Trendelenburg position (head down, foot up) using the foot board control panel functions. Press the ENTER key. The DO NOT TOUCH BED message will then appear on the display for a few seconds.

#### NOTE

If the bed is inclined in a negative angle, i.e. -12° (reverse Trendelenburg position (foot down, head up)), the message PUT BED AT +12° PRESS ENTER will reappear to signal the incorrect position of the bed. Adjust the bed as instructed.

9. The display will then read TO EXIT PRESS ENTER, which means that the scale system is now calibrated.
10. Press the ENTER key to return to the Scale mode, the display will then show a weight of 0 lb ( $\pm 0,5$  lb) and an angle of 12° ( $\pm 1^\circ$ ).
11. Bring the bed back to the horizontal position.
12. Check the scale accuracy with the weight used previously before returning the bed to service. Verify the weight and angle values displayed, if they are not within the acceptable ranges (weight:  $\pm 2\%$  if equal or over 100 lb or  $\pm 2$  lb if less than 100 lb, angle:  $\pm 1^\circ$ ) proceed with the load cell verification (see next section 4.7).


**4.7 LOAD CELL VERIFICATION****NOTE**

It requires two people to activate the Cell Verification mode.

1. Bring the mattress support to the horizontal position.
2. To enter the Cell Verification mode, unplug the power cord from the wall receptacle.
3. Verify that the load cell cables are properly connected to the scale control board (see figure 4.8, page 32 for the cable connecting positions).
4. Press and hold down the two MENU Up/Down keys (refer to section 2.16 of the Operations manual for the scale system key identification).
5. While still holding both MENU keys, plug the bed power cord into the wall receptacle. The scale display should read TO EXIT PRESS ENTER.

**NOTE**

Pressing the ENTER key now would simply cancel this mode and bring the scale back into operation in the Scale mode.

Leaving this scale mode inactive for one minute (not pressing any keys) will cancel the active mode and turn the display off. Pressing the  key will bring the scale display back in the Scale mode.

6. Press the MENU Down key, the display will read CELL VERIF. PRESS ENTER.
7. Press the ENTER key, the cell No. 1 weight data will be displayed. Applying weight on the bed corner related to the selected should bring the cell weight displayed to change.

**NOTE**

Load cell No. 1: Foot end, patient's right side

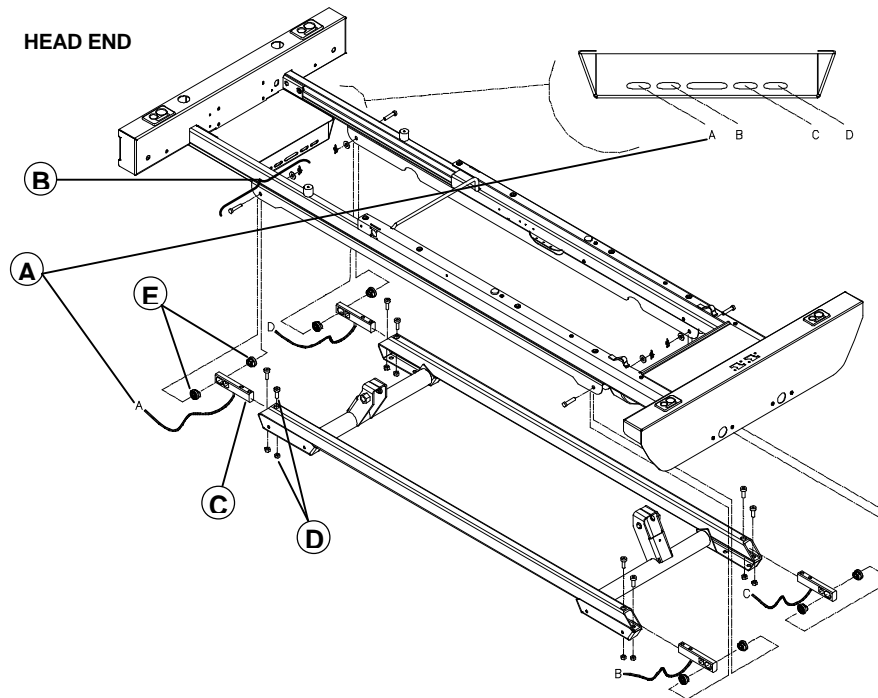
Load cell No. 2: Head end, patient's right side.

Load cell No. 3: Foot end, patient's left side

Load cell No. 4: Head end, patient's left side.

8. Proceed with the three other load cell simply by pressing the MENU Up or Down key to access to following cell weight data and apply weight on the corner of the bed corner related to the selected cell.
9. Once done with the cell verification, press the ENTER key to bring back the TO EXIT PRESS ENTER message.
10. End the procedure by pressing the ENTER key again to bring back the Scale mode.
11. A reading that does not change when weight is applied to that corner of the bed indicates a problem with the selected load cell assembly or load cell cable. Refer to section 4.8 of this manual to replace a load cell.
12. If the load cell verification does not detect any load cell failure and the weight and angle values displayed are not within the acceptable range (weight:  $\pm 2\%$  if equal or over 100 lb or  $\pm 2$  lb if less than 100 lb, angle  $\pm 1^\circ$ ) remove the bed from service and contact our Technical Service (see page 5, "Technical Support").

## 4.8 LOAD CELL REPLACEMENT



**Figure 4.8**

### Required Tools:

Jack Stands (2)      Needle Nose Pliers      5/16" Allen Key      1/2" Wrench

### Replacement Procedure:

1. Run the bed fully up and apply the brakes.
2. Remove the head or foot board and place jack stands under the head or foot end of the bed (see figure 4.13A in Appendix E) depending on the load cell to be replaced..
3. Disconnect the defective load cell cable (A) from the scale control board (see figure 4.8 above to identify the right cable).
4. Lower the bed on the jacks until the clevis pin (B) holding the two parts of the fixed frame is free from stress and easy to remove.
5. Using needle nose pliers, remove the Rue ring/washer/clevis pin (B).
6. Continue to lower the bed until the load cells (C) are easily accessible.
7. Using a 5/16" Allen key and a 1/2" wrench, remove the two bolts/ locknuts (D) holding the load cell to the bed frame.
8. Remove the defective load cell. Inspect the elastomer sleeves (E) to ensure that the circular hole has not become elliptic. Replace if needed.
9. Reverse the above steps to install the replacement load cell.
10. Calibrate the scale (refer to the "Scale System Calibration" procedure, section 4.6).
11. If the weight or the angle values displayed are incorrect following the load cell replacement and the calibration procedure , remove the bed from service and contact our Technical Service (see page 5, "Technical Support").



## 4.9 MATTRESS SUPPORT SECTION REPLACEMENT

### FOOT SECTION

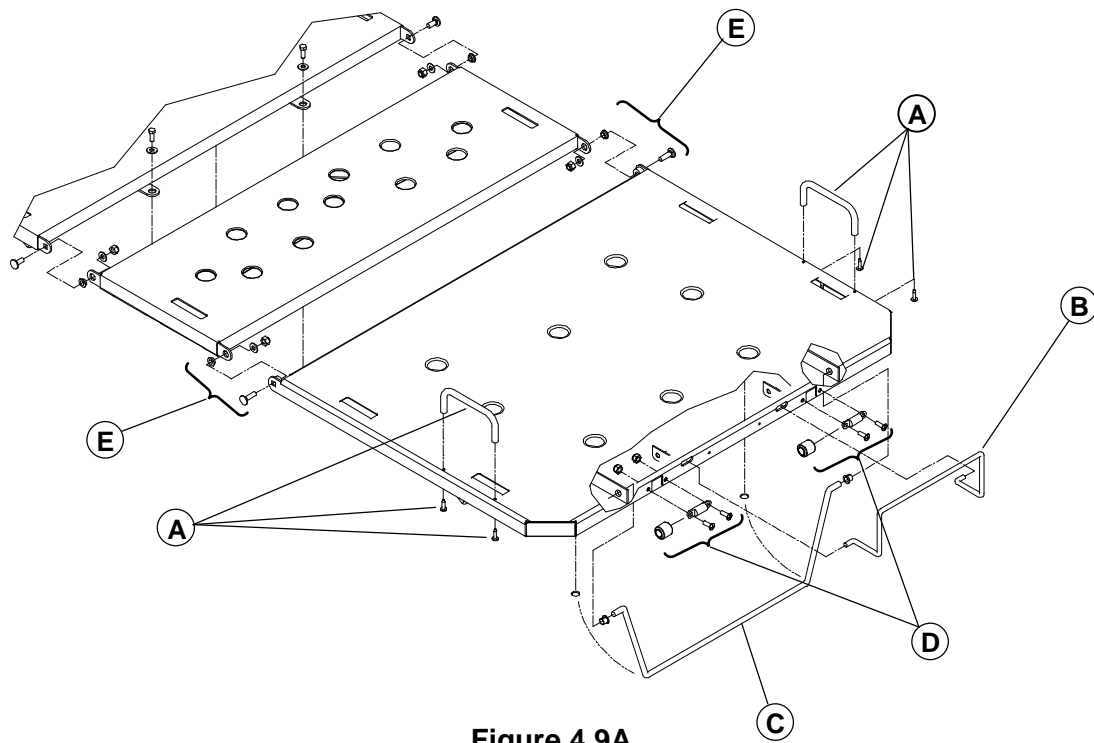


Figure 4.9A

#### Required Tools:

7/16" Wrench

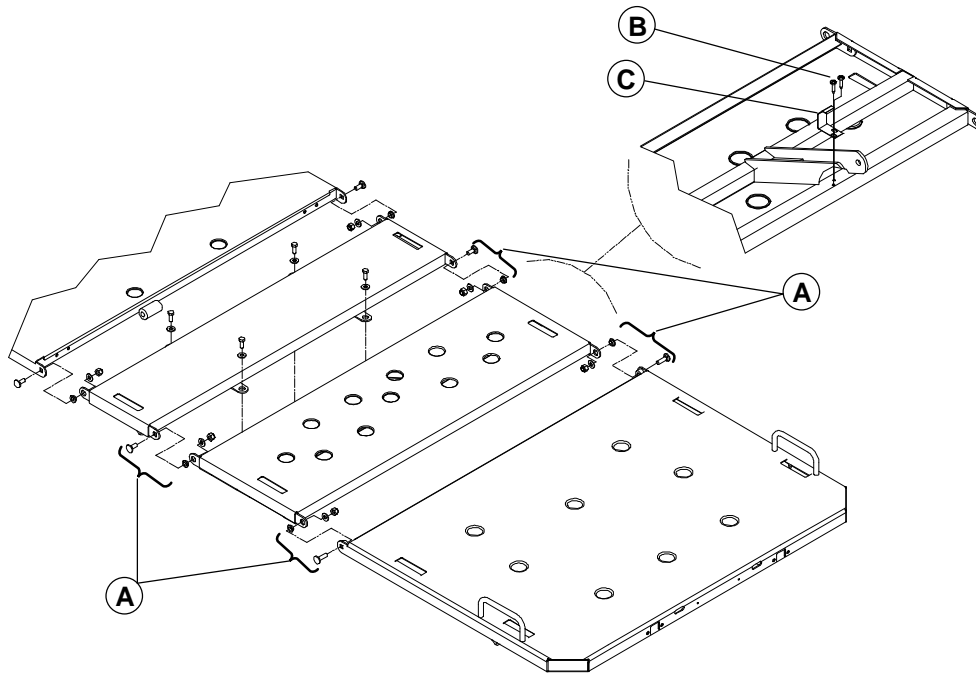
1/2" Wrench

Phillips Screwdriver

#### Replacement Procedure:

1. Run the bed fully up and apply the brakes.
2. Lower the head siderails and raise the foot siderails.
3. Run the Knee Gatch fully up.
4. Unplug the power cord from the wall receptacle and remove the foot board.
5. Manually fold the foot section back toward the head end of the bed (see figure 4.1 in Appendix E).
6. If needed, remove the foot siderail assemblies attached to the foot section. Refer to page 19, "Foot siderail Assembly (Attached to Foot Section)".
7. Remove from the defective foot section the parts that will be transferred to the replacement foot section, i.e. foot mattress retainer (B), prop rod (C), the side mattress retainers (two) (A) using a Phillips screwdriver and both roller assemblies (D) using a 7/16" wrench.
8. Manually bring the foot section back to its normal position. Plug the bed power cord and run the Knee Gatch to flat. Unplug the power cord.
9. Using a 1/2" wrench, remove the two locknuts/flat washers/shoulder spacers/bolts (E) linking the foot section to the thigh section and remove the defective foot section. Inspect the shoulder spacers for wear and replace if needed. **Do not** lubricate the shoulder spacers.
10. Reverse the above steps to install the replacement foot section.
11. Verify the foot section mobility for proper operation before returning the bed to service.

## THIGH SECTION



**Figure 4.9B**

### Required Tools:

Needle Nose Pliers

1/2" Wrench

Phillips Screwdriver

### Replacement Procedure:

1. Run the bed fully up, apply the brakes and bring the sleep surface to horizontal position.
2. Unplug the power cord from the wall receptacle.
3. Lower the four siderails without pushing them against the bed.
4. Using needle nose pliers, remove the Rue ring/washer/nylon washers(2)/clevis pin (C, fig. 4.10, page 39) hooking up the thigh actuator tube (U, fig. 4.10, page 39) to the thigh section lever arm.

#### NOTE

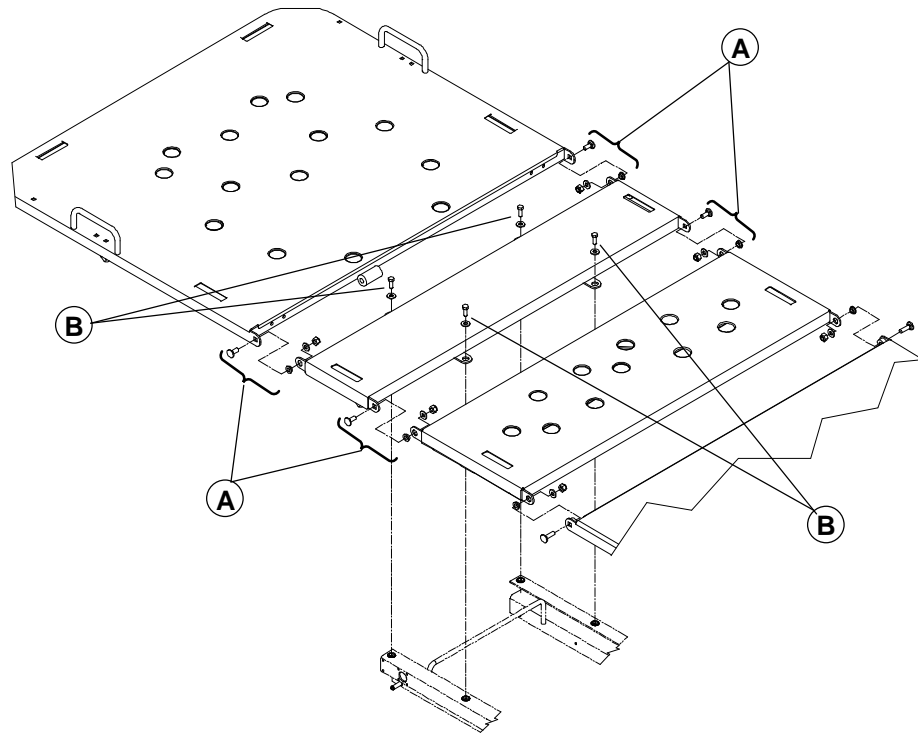
Apply grease on the clevis pin and the nylon washers before hooking back the thigh section to the actuator tube.

5. Using a 1/2" wrench, remove the four bolts/shoulder spacers/flat washers/locknuts (A) linking the thigh section to the foot and seat sections. Remove the defective thigh section. Inspect the shoulder spacers for wear and replace if needed. **Do not** lubricate the shoulder spacers.
6. Using a Phillips screwdriver, remove the two screws (B) holding the micro switch activator (C) underneath the thigh section and save the activator for the replacement thigh section.

#### NOTE

Apply grease on the activator after having replaced it on the replacement thigh section.

7. Reverse the above steps to install the replacement knee section. Before hooking up the actuator tube to the thigh section lever arms, carefully read the caution appearing at step 10 of the Knee Gatch actuator replacement procedure, page 40.
8. Verify the Knee Gatch mobility for proper operation before returning bed to service.

**SEAT SECTION****Figure 4.9C****Required Tools:**

1/2" Wrench

1/2" Socket and Ratchet

**Replacement Procedure:**

1. Run the bed fully up, apply the brakes and bring the sleep surface to horizontal position.
2. Unplug the power cord from the wall receptacle.
3. Lower the four siderails without pushing them against the bed.
4. Using a 1/2" wrench, remove the four bolts/shoulder spacers/flat washers/locknuts (A) linking the seat section to the thigh and head sections. Inspect the shoulder spacers for wear and replace if needed. **Do not** lubricate the shoulder spacers.
5. Using a 1/2" socket and ratchet, remove the four bolts/washers (B) holding the seat section to the retractable frame and remove the defective section.

**NOTE**

Before replacing the bolts, apply medium strength thread locker (blue) on the bolt threads.

6. Reverse the above steps to install replacement seat section.
7. Verify the Fowler and Knee Gatch mobility for proper operation before returning the bed to service.

## HEAD SECTION

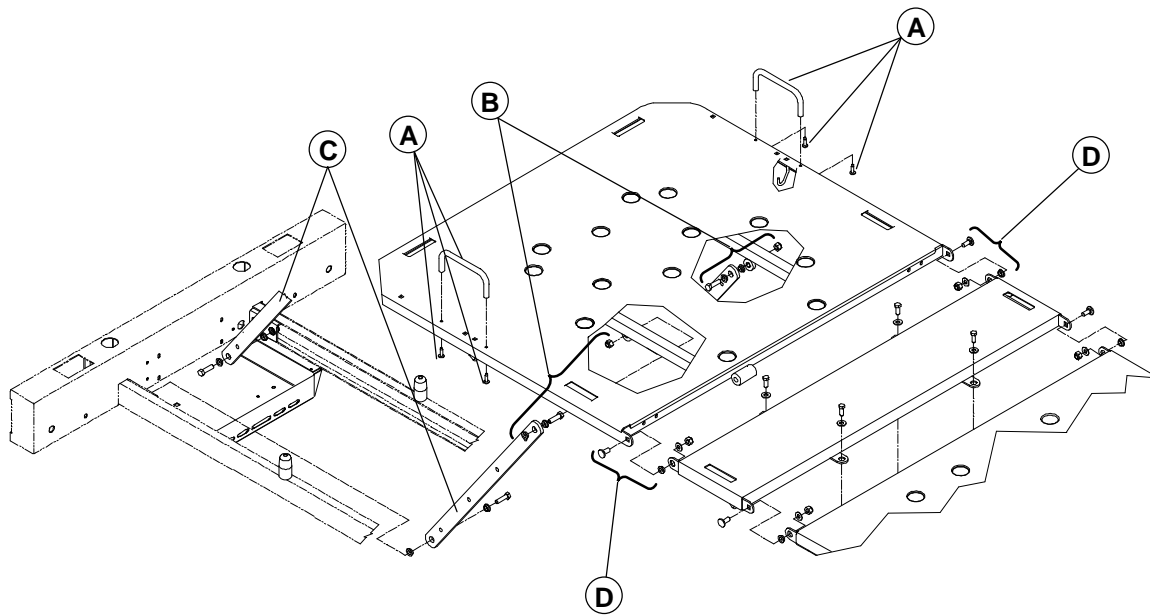


Figure 4.9D

**Required Tools:**

1/2" Wrench                      Phillips Screwdriver                      Bungee cords                      7/16" Wrench  
Needle Nose Pliers

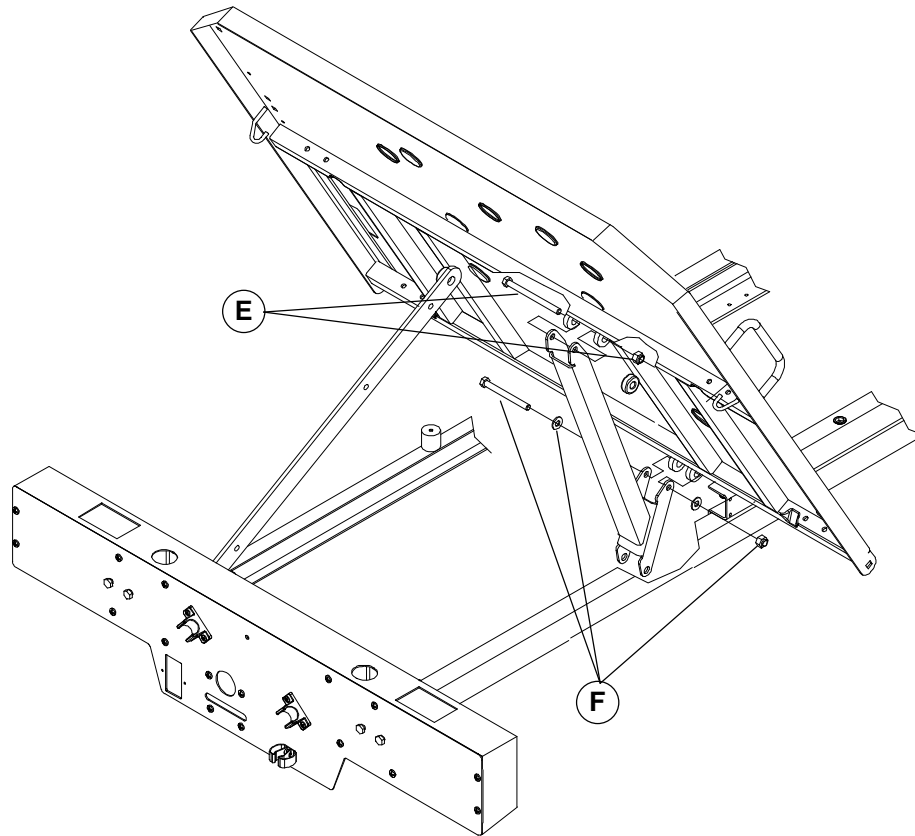
**Replacement Procedure:**

1. Run the bed fully up, apply the brakes and bring the sleep surface to horizontal position.
2. Remove the head board. Run the Fowler fully up and unplug the power cord from the wall receptacle.
3. Remove both head siderails from the head section. Refer to page 20 "Head Siderail Assembly" replacement procedure.
4. Using a Phillips screwdriver, remove the two mattress side retainers (A) and save them for the replacement head section.
5. Plug the bed power cord and run the Fowler to flat position.
6. Using needle nose pliers, remove the Rue ring/washer/nylon washers(2)/clevis pin (K, fig. 4.10, page 39) hooking up the head actuator tube (T, fig. 4.10, page 39) to the head section lever arms.

**NOTE**

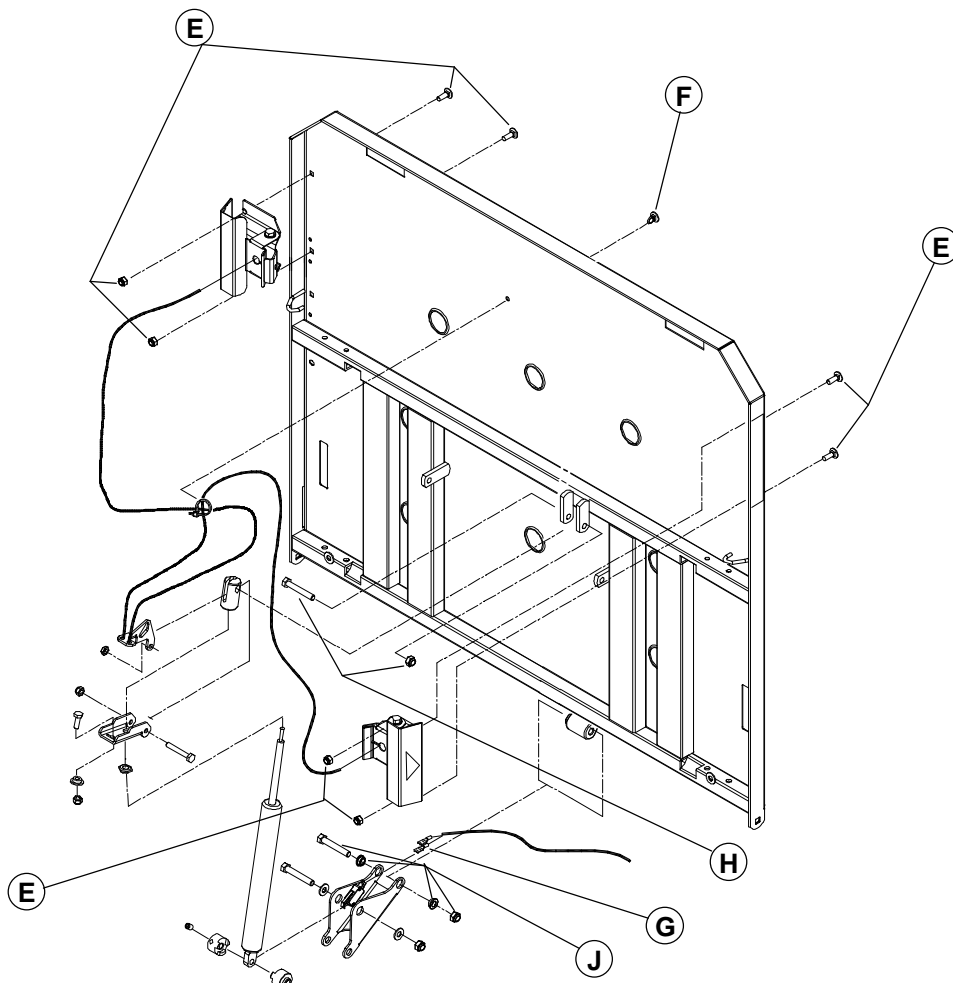
Apply grease on the clevis pin and the nylon washers before hooking up the actuator tube to the head section.

7. Manually lift the head section completely and secure its position using bungee cords.
8. Using a 1/2" wrench, remove the two locknuts /shoulder spacers(4) /bolts (B) holding the upper part of the two head arms (C) to the head section. Lay them down. Inspect the shoulder spacers for wear and replace if needed. **Do not** lubricate the shoulder spacers.
9. For beds **not equipped** with the optional instant CPR release, proceed with step 10 to 15 and end the procedure.  
For beds **equipped** with the optional instant CPR release, proceed with step 16 through the end.



**Figure 4.9E**

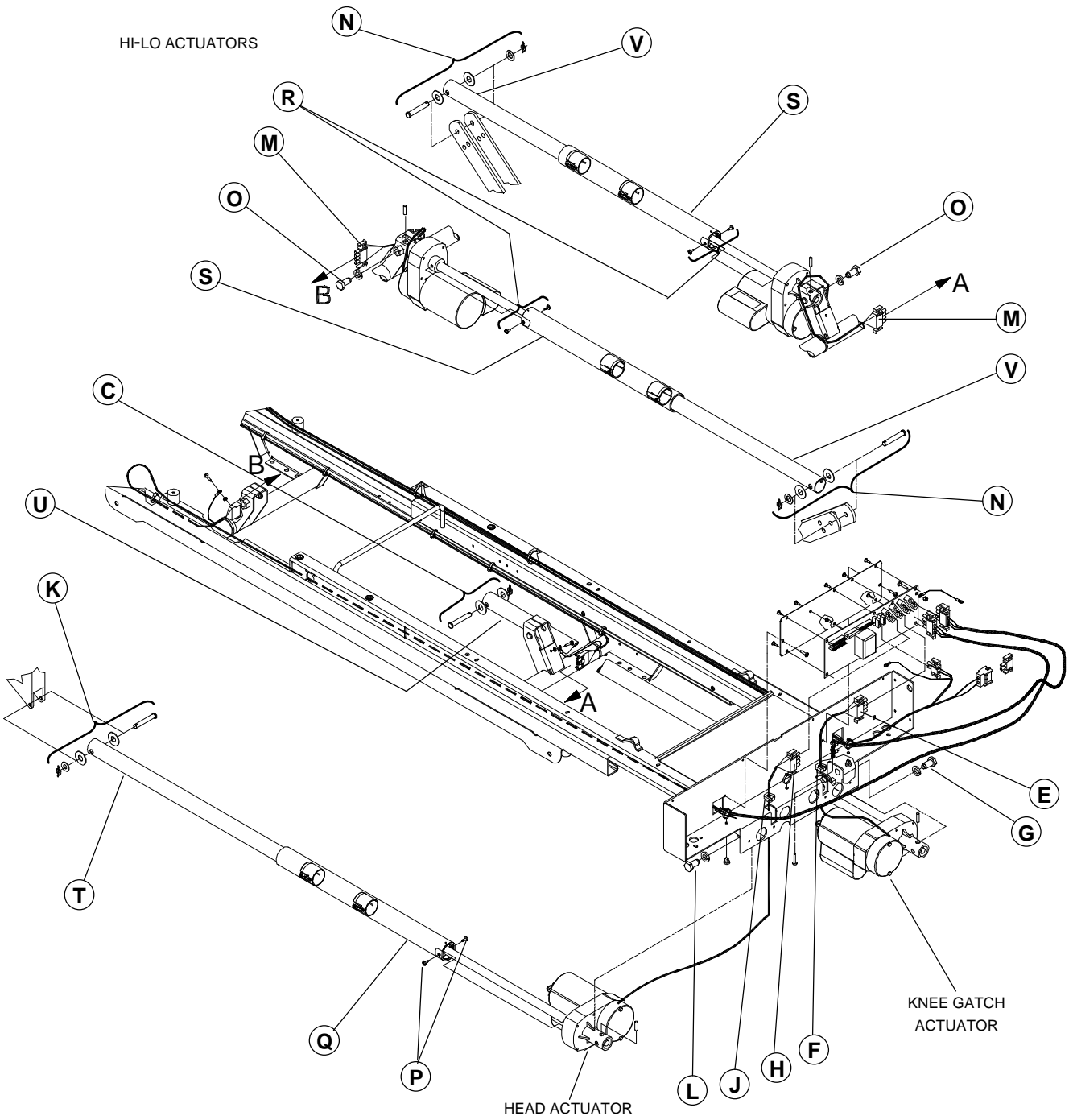
10. Using a 1/2" wrench, remove the locknut/bolt (E) holding the upper part of the compression bar to the head section and lay it down.
11. Using a 1/2" wrench, remove the locknut/flat washers(2)/bolt (F) linking the lower part of the compression bar to the head section and remove the compression bar.
12. Remove the bungee cords and bring the head section back to horizontal position.
13. Using a 1/2" wrench, remove the two locknuts/flat washers/shoulder spacers/bolts/ (D, fig. 4.9D, page 36) linking the head section to the seat section. Remove the defective head section.
14. Reverse the above steps to install the replacement head section. Before hooking up the actuator tube to the head section lever arms, carefully read the caution appearing at step 10 of the head actuator replacement procedure, page 41.
15. Verify the Fowler mobility for proper operation before returning the bed to service.



**Figure 4.9F**

16. Using a 7/16" wrench, remove two locknuts/bolts (E) holding both release handles to the head section.
17. Remove the pressure cable clip (F) from the head section.
18. Disconnect the two wires (G) from the micro switch. Note the wire connecting positions.
19. Using a 1/2" wrench, remove the locknut/bolt (H) holding the upper part of the pneumatic cylinder activation mechanism.
20. Using a 1/2" wrench, remove the locknut/shoulder spacers(2)/bolts (J) linking the upper part of the mattress support lever to the head section.
21. Remove the bungee cords and bring the head section back to horizontal position.
22. Using a 1/2" wrench, remove the two locknuts/flat washers/shoulder spacers/bolts (D, fig. 4.9D, page 36) linking the head section to the seat section. Remove the defective head section.
23. Reverse the above steps to install the replacement head section. Before hooking up the actuator tube to the head section lever arms, carefully read the caution appearing at step 10 of the head actuator replacement procedure, page 41.
24. Verify the Fowler mobility and the instant CPR release for proper operation before returning the bed to service.

**4.10 ACTUATOR REPLACEMENT**



**Figure 4.10**

**NOTE**

Unless otherwise stated, all reference points contained in section 4.10 procedures will refer to figure 4.10 above.

## KNEE GATCH ACTUATOR

### Required Tools:

Needle Nose Pliers                  Phillips Screwdriver                  3/4" wrench                  OG2 Grease

### Replacement Procedure:

1. Run the bed fully up, apply the brakes and flatten the sleep surface.
2. Lower the head siderails and raise the foot siderails.
3. Unplug the power cord from the wall receptacle. Remove the foot board.
4. Using needle nose pliers, remove the Rue ring/washer/nylon washers(2)/clevis pin (C) holding the knee actuator tube (U) to the thigh section lever arms.

#### NOTE

Apply grease on the clevis pin and the nylon washers before hooking up the actuator tube to the thigh section.

5. Manually fold the foot and thigh sections back toward the head end of the bed until they come to rest on the head section.
6. Using a Phillips screwdriver, remove the 12 screws (A, fig. 4.4, page 26) holding the cover and the two IV pole holders (B, fig. 4.4, page 26) to the foot end casing.
7. Lift up and hold the cover while disconnecting from the motor control board and the scale cable extension the three connectors (C, fig. 4.4, page 26). Carefully note the locations of the connectors so they will be reconnected properly. Lay the cover aside.
8. Disconnect the knee actuator cable (E) from the motor control board and disengage it from the strain relief bushing (F).
9. Using a 3/4" wrench, loosen the bolt (G) holding the knee actuator to the bracket until the actuator can be rotated downward and removed from its location.

#### NOTE

Apply grease on the bolt, the spring washer and the inner sides of the bracket, including the pivot pin, when reassembling the actuator.

10. Reverse the above steps to install the replacement Knee Gatch actuator. Read the following caution before hooking up the actuator tube to the thigh section lever arms.



### CAUTION

**It is of utmost importance** that the course of the Knee Gatch replacement actuator be adjusted before hooking up its tube to the thigh section. An improper adjustment can damage the thigh section structure.

10.1 Proceed as follows to adjust the replacement Knee Gatch actuator:

- Raise the four siderails and plug the bed power cord. Ensure the actuator cable is connected to the PC Board.
- Hold firmly the actuator tube, holes positioned horizontally, and press the thigh section up switch for a few seconds using the siderail control panel, then press the down switch until the actuator stops. This is the lower limit of the actuator course.
- Gently turn, if needed, the tube in either direction to align the tube holes with the holes of the thigh section lever arms and insert the clevis pin and the nylon washers. Slightly raise manually the thigh section if having problem to insert the clevis pin.
- Once the clevis pin is installed, check the actuator adjustment. Using the siderail control panel, raise the thigh section fully up, then press the down switch until the thigh section comes to rest on the frame; at that moment the actuator should stop working even though the down switch is still pressed. Should the actuator continue working once the thigh section has reached the frame thus trying to further lower the thigh section, repeat the whole operation until the proper course adjustment is found.
- Install the Rue ring (C) once the actuator course has been properly adjusted.



**HEAD ACTUATOR****Required Tools:**

Phillips Screwdriver

3/4" Wrench

OG2 Grease

Needle Nose Pliers

**Replacement Procedure:**

1. Run the bed fully up, apply the brakes and flatten the sleep surface.
2. Run the Knee Gatch fully up and unplug the power cord from the wall receptacle.
3. Remove the foot board.
4. Manually fold the foot section back toward the head end of the bed (see figure 4.1 in Appendix E).
5. Using a Phillips screwdriver, remove the 12 screws (A, fig. 4.4, page 26) holding the cover and the two IV pole holders (B, fig. 4.4, page 26) to the foot end casing.
6. Lift up and hold the cover while disconnecting from the motor control board and the scale cable extension the three connectors (C, fig. 4.4, page 26). Carefully note the locations of the connectors so they will be reconnected properly. Lay the cover aside.
7. Disconnect the head actuator cable (H) from the control board and disengage it from the strain relief bushing (J).
8. Using needle nose pliers, remove the Rue ring/washer/nylon washers(2)/clevis pin (K) holding the head actuator tube (T) to the head section lever arms.

**NOTE**

Apply grease on the clevis pin and the nylon washers before hooking up the actuator tube to the head section.

9. Using a 3/4" wrench, loosen the bolt (L) holding the head actuator to the bracket until the actuator can be rotated downward and removed from its location.

**NOTE**

Apply grease on the bolt, the spring washer and the inner sides of the bracket, including the pivot pin, when reassembling the actuator.

10. Reverse the above steps to install the replacement head actuator. Read the following caution before hooking up the actuator tube to the head section lever arms.

**CAUTION**

**It is of utmost importance** that the course of the replacement head actuator be adjusted before hooking up its tube to the head section. An improper adjustment can damage the head section structure.

11.1 Proceed as follows to adjust the course of the replacement head actuator:

- Raise the four siderails and plug the bed power cord. Ensure the actuator cable is connected to the PC Board.
- Hold firmly the actuator tube, holes positioned horizontally, and press the head section up switch for a few seconds using the siderail control panel, then press the down switch until the actuator stops. This is the lower limit of the actuator course.
- Gently turn, if needed, the tube in either direction to align the tube holes with the holes of the head section lever arms and insert the clevis pin and the nylon washers. Slightly raise manually the head section if having problem to insert the clevis pin.
- Now check the actuator course adjustment. Using the siderail control panel, raise the head section fully up, then press the down switch until the head section comes to rest on the frame; at that moment the actuator should stop working even though the down switch is still pressed. Should the actuator continue working once the head section has reached the frame thus trying to further lower the head section, repeat the whole operation until the proper course adjustment is found.
- Install the Rue ring (K) once the actuator course has been properly adjusted.

## HI-LO ACTUATOR

### NOTE

In order to preserve the adjustment of the bed lowest position when replacing a Hi-lo actuator, a special tool kit designed for that purpose must be used.

To obtain this kit, contact our Service department (see page 5, "Technical Support") and order part number KR0090.

### Required Tools:

Alignment Jigs and 1/2" special socket (P/N KR0090)	Wire Cutters	3/4" Wrench
OG2 Grease	Angle indicator	3/8" Drive Ratchet

### Replacement Procedure:

1. Lower the head siderails and raise the foot siderails.
2. Using an angle indicator, raise the head section by approximately 50°, so that the bolt (O) holding the Hi-lo actuator to its support becomes accessible. Run the Knee Gatch fully up.
3. Manually fold the foot section back towards the head end of the bed (see figure 4.1 in Appendix E).
4. Lower the bed until enough room is left to install the two alignment jigs under the Hi-Lo levers, exactly under the four black moulded bearings.
5. Lower the bed until the four black moulded bearings rest on the two jigs (see in Appendix E, figure 4.10A). If a Hi-Lo actuator is defective, use a 3/8" drive ratchet and the special 1/2" socket included in the tool kit to manually lower the bed onto the jigs. See documentation accompanying KR0090 for explanations on rotating a defective Hi-Lo actuator.
6. Unplug the power cord from the wall receptacle.
7. Disconnect the actuator cable (M) connector and using wire cutters, cut the cable ties holding it to the frame.
8. Remove the Rue ring/washer/nylon washers(2)/clevis pin (N) holding the Hi-Lo actuator tube (V) to the Hi-lo lever arms.

### NOTE

Apply grease on the clevis pin and the nylon washers before hooking back the actuator tube to the Hi-lo lever arms.

9. Using a 3/4" wrench, loosen the bolt (O) holding the Hi-Lo actuator to the bracket until the actuator can be rotated downward and removed from its location.

### NOTE

Apply grease on the bolt, the spring washer and the inner sides of the bracket, including the pivot pin, when reassembling the actuator.

10. Reverse the above steps to install the replacement Hi-Lo actuator. Read the following caution before hooking up the actuator tube to the Hi-Lo lever arms.



### CAUTION

**It is of utmost importance** that the Hi-Lo replacement actuator be adjusted before hooking its tube to the Hi-Lo lever arms. An improper adjustment can damage the bed mechanisms.

10.1 Proceed as follow to adjust the new Hi-Lo actuator:

- Plug the bed. Make sure that the Hi-Lo actuator cable is connected.
- Run the Hi-Lo function down until the motor of the replacement actuator stops. This will be the replacement actuator lower limit.
- Turn, if necessary, the tube of the actuator in either direction to align the tube holes with the Hi-Lo lever arm holes and insert temporarily the nylon washers clevis pin.
- Run the Hi-Lo function up and down again to ensure that the replacement actuator is properly adjusted. Once done, install the Rue ring (N) to lock the clevis pin.

**4.11 ACTUATOR SCREW LUBRICATION PROCEDURE****NOTE**

Unless otherwise stated, all reference points contained in section 4.11 procedures will refer to fig. 4.10, section 4.10.

**Required Tools:**

Slotted Screwdriver                      5/16" Wrench                      Bungee Cords                      OG2 Grease  
Grease brush

**Lubrication Procedure for the Head and Knee Actuator Screws:**

1. Run the bed fully up. Apply the brakes. Lower the head siderails and raise the foot siderails.
2. Run the Fowler fully up (in this position, the head actuator will reach its maximum extension) and lower the Knee Gatch to flat (in this position, the Knee Gatch actuator will reach its maximum extension).
3. Unplug the power cord from the wall receptacle.
4. Manually fold the foot section back toward the head end of the bed. Secure the position using bungee cords.
5. Using a slotted screwdriver and a 5/16" wrench, remove the two screws (P) holding the plastic dust tube of the knee actuator and the head actuator tube support (Q) (the two screws and the dust tube of the knee actuator are not illustrated on fig. 4.10) and slide back the dust cover and the actuator tube support to uncover the actuator screws and the beginning of the actuator tubes.
6. Apply grease all over the screw threads and on the beginning of the actuator tube (cover a couple of inches of the tube) with a brush making sure the grease reaches the bottom of the threads and replace the dust cover and the tube support.
7. Remove the bungee cords and replace the foot section to flat position. Run both Fowler and Knee Gatch up and down completely a few times to spread grease evenly and to verify the Knee Gatch and Fowler operation before returning the bed to service.

**Lubrication Procedure for the Hi-Lo actuator screws:**

1. Run the bed fully up (in this position, the two Hi-lo actuators will reach their maximum extension) and apply the brakes.
2. Run the Fowler and Knee Gatch fully up.
3. Unplug the power cord from the wall receptacle.
4. Lower the head siderails and raise the foot siderails.
5. Manually fold the foot section back toward the head end of the bed (see figure 4.1 in Appendix E). Secure the position using bungee cords.
6. Using a slotted screwdriver and a 5/16" wrench, remove the four screws (R) holding the two actuator tube supports (S) and slide back the actuator tube supports to uncover the actuator screws and the beginning of the actuator tubes.
7. Apply grease all over the screw threads and on the beginning of the actuator tube (cover a couple of inches of the tube) with a brush making sure the grease reaches the bottom of the threads and replace the tube supports.
8. Remove the bungee cords and replace the foot section to flat position. Run the Hi-Lo up and down completely a few times to spread grease evenly and to verify the Hi-Lo operation before returning the bed to service.

## 4.12 STEER WHEEL COMPONENT REPLACEMENT

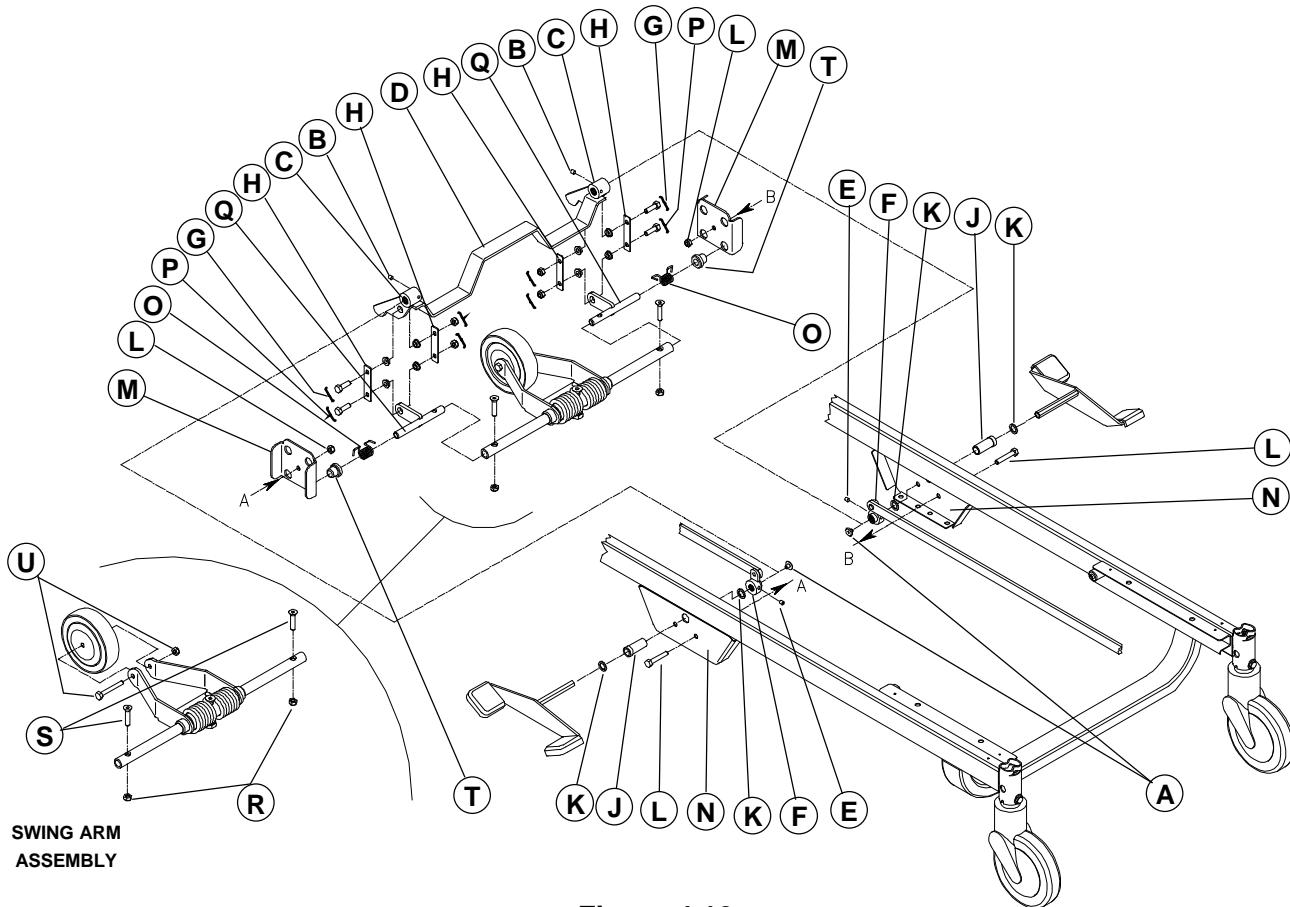


Figure 4.12

**NOTE**

Unless otherwise stated, all reference points contained in section 4.12 procedures will refer to figure 4.12 above.

**ACTIVATION LEVER (D, fig. 4.12)**

**Required Tools:**

Phillips Screwdriver                      1/8" Allen Key                      1/2" Wrench                      3/16" Allen key

**Replacement Procedure:**

1. Run the bed fully up.
2. Unplug the power cord from the wall receptacle.
3. Bring the pedal to the neutral position (horizontal).
4. Using a Phillips screwdriver, remove the two machine screws (A) located at the end of the right and left pedal shafts.

**NOTE**

Before replacing the machine screws (A), apply medium strength thread locker (blue) on the screw threads.

When reassembling, the machine screws (A) must first be inserted and tightened **before** tightening the set screws mentioned in steps 5 and 6.

5. Using a 1/8" Allen key, remove the set screws (B) located on the right and left sockets (C) of the activation lever (D).

**NOTE**

Before replacing the set screws, apply medium strength thread locker (blue) on the screw threads.

- Using a 1/8" Allen key, remove the set screws (E) located on the head and foot locking levers (F).

**NOTE**

Before replacing the set screws, apply medium strength thread locker (blue) on the screw threads.

- Gradually pull out each brake/steer pedal until the pedal shafts disengage from the activation lever sockets (C), then stop.
- Using a 1/2" wrench, remove the two locknuts/shoulder spacers(4)/bolts (G) holding both extremities of the activation lever to the upper part of the counter levers (H). Inspect the shoulder spacers for wear and replace if needed. Do not lubricate the shoulder spacers.
- Remove the activation lever (D).
- Reverse the above steps to install the replacement activation lever.

**NOTE**

Be sure to position the activation lever horizontally before inserting each pedal shaft into the corresponding sockets. To do so, position the top flat part of the lever parallel to the floor (bring the steer wheel to the floor by pressing on it to facilitate this operation).

- Verify the steer wheel for proper operation before returning the bed to service.

**SWING ARM ASSEMBLY****NOTE**

The swing arm assembly is sold as an assembly, caster not included.

**Required Tools:**

Phillips Screwdriver            1/8" Allen Key            3/16" Allen Key            1/2" Wrench (2)

**Replacement Procedure:**

- Run the bed fully up.
- Unplug the power cord from the wall receptacle.
- Bring the pedal to the neutral position (horizontal).
- Using a Phillips screwdriver, remove the two screws (A) located at the end of the right and left pedal shafts.

**NOTE**

Before replacing the screws (A), apply medium strength thread locker (blue) on the screw threads.

When reassembling, the screws (A) must first be inserted and tightened **before** tightening the set screws mentioned in steps 5 and 6.

- Using a 1/8" Allen key, remove the set screws (B) located on the right and left sockets (C) of the activation lever (D).

**NOTE**

Before replacing the set screws, apply medium strength thread locker (blue) on the screw threads.

- Using a 1/8" Allen key, remove the set screws (E) located on the head and foot locking levers (F).
- Remove both pedals completely. Remove the two pedal sleeves (J) and keep them with the four nylon washers (K).

**NOTE**

Apply grease on the pedal shafts before replacing them.

8. Using a 1/2" wrench, remove the locknut/bolt (L) holding both steer wheel mechanism support (M) to the retaining plates (N).

**NOTE**

When reassembling, tighten definitely the bolts/locknuts (L) holding the supports to the retaining plates only after the pedal shafts are inserted into the lever sockets. Do not tighten too tight, the supports could buckle.

9. Remove the steer wheel mechanism from the retaining plates by doing the following:
  - Slide both supports (M) inside the retaining plate (N) toward the head of the bed and rotate them downwards through the orifice provided at the bottom of the retaining plates. The supports will then be partially disengaged.
  - Seize both supports (M) and position them diagonally to completely disengage them from the retaining plates (N).

**NOTE**

Note the position of the torsion spring (O) and the two supports (M) before removing these parts from the retaining plates; mark their position to help their reassembly.

10. Remove the supports (M) from the steer wheel mechanism. Keep the torsion springs (O).
11. Using a 1/2" wrench, remove the locknuts/shoulder spacers(4)/bolts (P) holding the torsion levers (Q) to the lower part of the two counter-levers (H). Inspect the shoulder spacers for wear and replace if needed. Do not lubricate the shoulder spacers.
12. Remove the two torsion levers (Q) from both ends of the torque shaft by first removing the two locknuts (R) using a 1/2" wrench and then the two screws (S) using a 3/16" Allen key.

**NOTE**

Apply grease on the portion of the torsion levers that inserts into the nylon bushings (T) before reinstalling them.

When reassembling, screw down tightly the two screws (S) holding the torsion levers to the torque shaft before tightening the two locknuts (R).

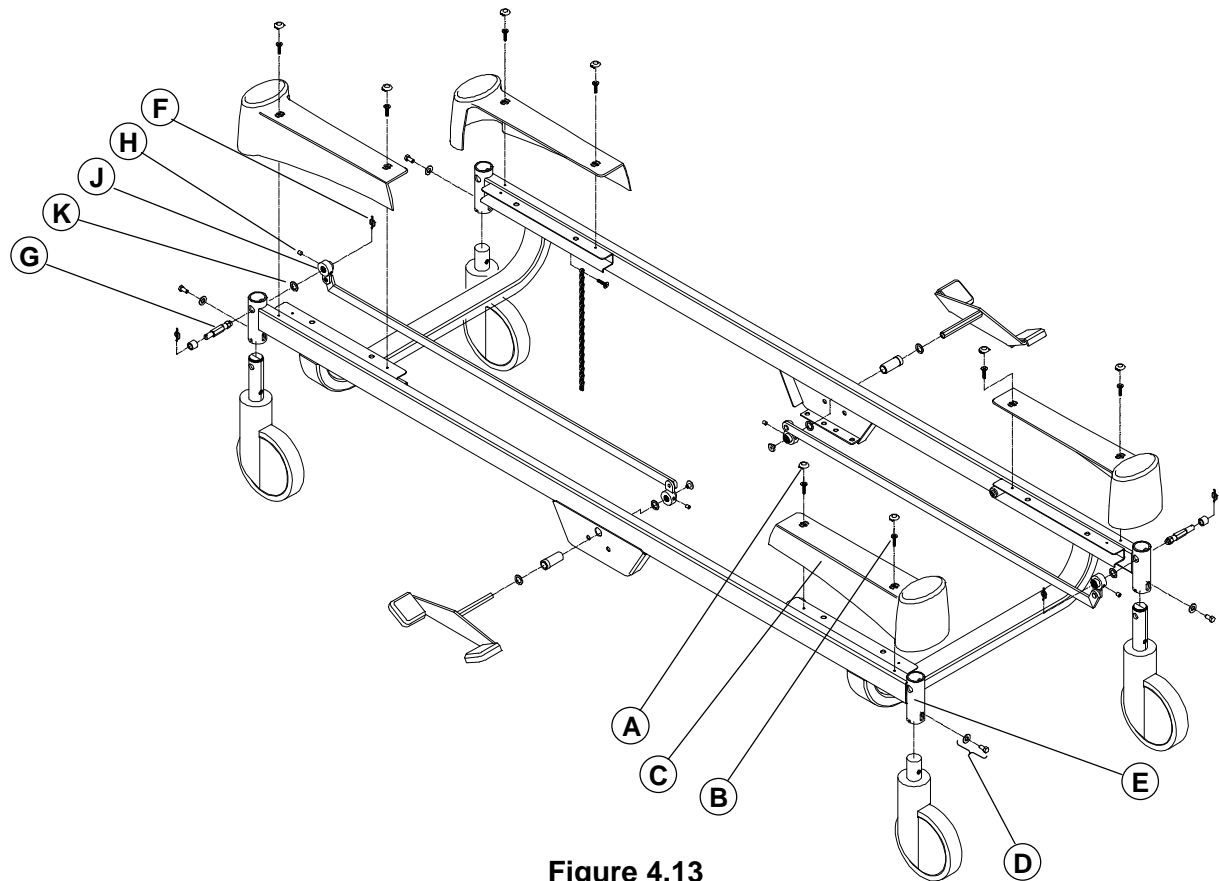
13. Using two 1/2" wrenches, remove the bolt/nut (U) holding the steer caster to the wheel arm and remove the caster.
14. Reverse the above steps to install the replacement swing arm assembly. Read carefully the following note to properly reinstall the pedals.

**NOTE**

Be sure to position the pedal horizontally (neutral) when inserting its shaft into the sockets of the locking levers (F) and the activation lever (D).

When inserting the pedal shaft into the sockets, make sure that the locking lever (F) is vertically positioned and that the upper flat part of the activation lever (D) is parallel to the floor (bring the steer wheel to the floor by exerting a pressure on it to facilitate this operation).

15. Activate the steer wheel pedal on both sides of the bed to ensure proper operation of the steer wheel before returning the bed to service.

**4.13 CASTER REPLACEMENT****Figure 4.13****Required Tools:**

Jack Stands (2)

Phillips Screwdriver 1/2" wrench

7/16" wrench

1/8" Allen key

**Replacement Procedure:**

1. Raise the bed enough to place under the frame at the head or foot end of the bed (depending on the caster to be changed) two jack stands adjusted to 20" (see figure 4.13A in Appendix E).
2. Lower the bed on the jack stands until the caster lower part is at least five inches off the ground.
3. Unplug the power cord from the wall receptacle.
4. Remove the two pop-on screw covers (A).
5. Using a Phillips screwdriver, remove the two screws (B) holding the caster cover (C) to the base. Remove the caster cover.
6. For a caster **without a locking mechanism**, proceed with step 7 through 9 and end the procedure.  
For a caster **with a locking mechanism**, proceed with step 10 through the end.
7. Support the caster while using a 1/2" wrench to remove the bolt/washer (D) holding the caster shaft to the mounting socket (E). Remove the defective caster.

**NOTE**

Before replacing the bolt, apply medium strength thread locker (blue) on the bolt threads.

8. Reverse the above steps to install the replacement caster.
  9. Move the bed to verify the replacement caster before returning the bed to service.
- End of procedure for caster without locking mechanism.

10. Remove the Rue ring (F) at the inner end of the locking axle (G).
11. Using a 1/8" Allen key, remove the set screw (H) located on the locking lever (J) (for ease of access to the set screw, depress the steer/brake pedal on the side opposite to the caster needing replacement) and remove the locking lever from the locking axle (G). Keep the nylon washer (K).

**NOTE**

Before replacing the set screw, apply medium strength thread locker (blue) on the screw threads.

12. Using a 1/2" wrench, remove the bolt/washer (D) holding the caster shaft to the mounting socket (E).

**NOTE**

Before replacing the bolt, apply medium strength thread locker (blue) on the bolt threads.

13. Support caster while pulling the locking axle (G) out its location. Note the nearly vertical position of the Rue ring hole to correctly replace the locking axle later on. Remove the defective caster.

**NOTE**

Ensure the pedal is in the horizontal position before inserting the locking axle into the replacement caster shaft orifice.

14. Reverse the above steps to install the replacement caster. Read the following caution carefully before completing the installation of the replacement caster.

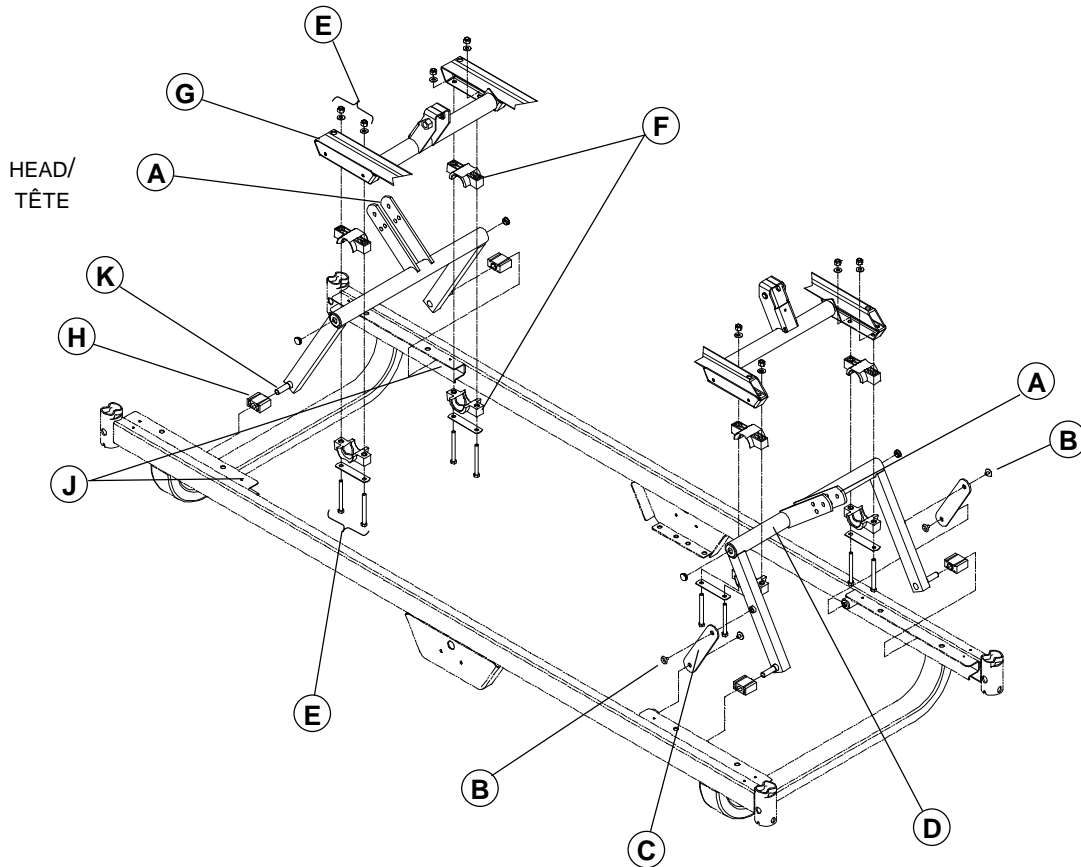


**CAUTION**

The shaft of a caster which is part of the locking mechanism must be oriented correctly before attaching it to the mounting socket, otherwise the caster will not lock when the brake pedal is activated. For a proper installation of the caster, proceed as follows:

15. Ensure the new caster shaft mechanism is in the neutral position. To do so, insert the locking axle (G) in the shaft orifice of the replacement caster and rotate the locking axle using a 7/16" open key. Identify the three positions of the shaft mechanism: steer wheel engaged, neutral, brake engaged. Set the mechanism to the neutral position (middle position). Once done, remove the locking axle from the caster shaft orifice.
16. Insert the caster shaft into the mounting socket (E) and insert the locking axle (G) completely (reverse the pulled out move with the Rue ring hole nearly vertical). Replace the locking lever (J) on the locking axle (make sure the pedal is in the neutral position before doing so), but not completely so as to leave enough room between the mounting socket and the locking lever to insert a 7/16" open-end key.
17. Using the 7/16" open end key, rotate the locking axle (G) while observing the pedal movements created by the rotation of the axle, it will occupy three positions:
  - Green side of the pedal depressed: steer wheel engaged.
  - Pedal in horizontal position: neutral position.
  - Red side of the pedal depressed: locking system engaged.
18. When the pedal red side is depressed, check if the caster locks. If the caster does not lock, the shaft is incorrectly oriented.
19. Remove the locking lever (J) and the locking axle (G) while supporting the caster. Remove caster and rotate its shaft 180°. Replace caster shaft into the mounting socket and replace locking axle and locking lever as previously described. Rotate again the axle while observing the pedals movement created by the rotation of the axle.
20. The caster should now lock when the pedal red side depresses. The caster shaft is now correctly oriented and its installation can now be finalized.
21. Verify the caster and the locking system for proper operation before returning bed to service.



**4.14 HI-LO LEVER REPLACEMENT****Figure 4.14****Required Tools:**

Jack Stands (2)

Phillips Screwdriver

1/2" Wrench

**Replacement Procedure:**

1. Run the bed fully up and apply the brakes.
2. Adjust the mattress support depending on the Hi-Lo lever to be replaced:  
Hi-Lo lever located at the head end of the bed  
 Run Fowler fully up.  
Hi-Lo lever located at the foot end of the bed  
 Lower the head siderails and raise the foot siderails. Run the Knee Gatch fully up. Manually fold the foot section back towards the head end of the bed (see figure 4.1 in Appendix E).
3. Place two jack stands, adjusted to 20", under the frame, at the head end or foot end of the bed (see fig. 4.13A in Appendix E).
4. Lower the bed on the stands until the clevis pin holding the Hi-Lo actuator tube to the Hi-Lo lever arms (N, fig. 4.10, page 39) is free from stress and easy to remove.
5. Unplug the power cord from the wall receptacle.
6. Remove the Rue ring/washer/nylon washers(2)/clevis pin (N, fig. 4.10, page 39) holding the Hi-Lo actuator tube to the Hi-Lo lever arms (A). Avoid rotating the Hi-Lo actuator tube.

**NOTE**

Apply grease on the clevis pin and the nylon washers before hooking up the Hi-Lo actuator tube to the Hi-Lo lever arms.

7. If you are replacing the Hi-Lo lever located at the foot end of the bed, use a Phillips screwdriver to remove the two machine screws (B) holding the upper part of the right and left stabilizers (C) to the Hi-Lo lever (D).

**NOTE**

Before replacing the machine screws, apply medium strength thread locker (blue) on the screw threads.

8. Using a 1/2" wrench, remove the four locknuts/ washers/reinforcement plates (two)/bolts (E) holding the Hi-Lo lever and the molded bearings (F) to the mobile frame (G).

**NOTE**

Apply grease inside the molded bearings before replacing them.

9. Remove the Hi-lo lever from its location by rotating it horizontally on one side to disengage the nylon sliders (H) from the rails (J).

**NOTE**

Apply grease on the nylon slider shafts (K) and under the sliders (H) before replacing the Hi-Lo lever. Ensure the rail is greased on its inner lower and side surfaces.

10. Reverse the above steps to install the replacement Hi-Lo lever. Read the following caution before hooking up the actuator tube to the Hi-Lo lever arms.

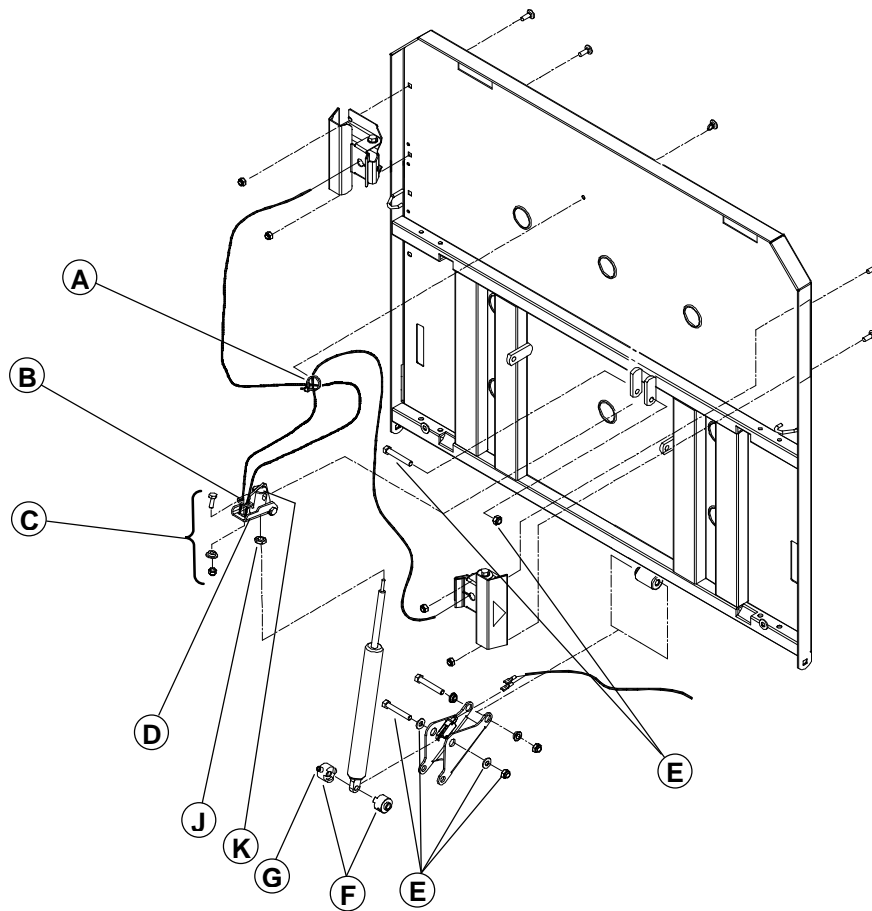


**CAUTION**

**It is of utmost importance** that the Hi-Lo replacement actuator be adjusted before hooking its tube to the Hi-Lo lever arms. An improper adjustment can damage the bed mechanisms.

10.1 Proceed as follow to adjust the new Hi-Lo actuator:

- Plug the bed. Make sure that the Hi-Lo actuator cable is connected.
- Run the Hi-Lo function down until the motor of the replacement actuator stops. This will be the replacement actuator lower limit.
- Turn, if necessary, the tube of the actuator in either direction to align the tube holes with the Hi-Lo lever arm holes and insert temporarily the nylon washers clevis pin.
- Run the Hi-Lo function up and down again to ensure that the replacement actuator is properly adjusted. Once done, install the Rue ring (N) to lock the clevis pin.

**4.15 OPTIONAL CPR RELEASE COMPONENT REPLACEMENT****Figure 4.15****NOTE**

Unless otherwise stated, all reference points contained in section 4.15 procedures will refer to figure 4.15 above.

**CPR RELEASE CABLE****Required Tools:**

Bungee Cords

7/16" Wrench

Side Cutters

**Replacement Procedure:**

1. Run the bed fully up and apply the brakes.
2. Run the Fowler fully up. Beware of inadvertently lowering the Fowler through the CPR release handle while working under the Fowler.
3. Using the side cutters, cut the cable tie (A) holding together the two release cables.
4. Using a 7/16" wrench, loosen the nuts at both ends of the two cables.
5. Remove the defective cable nut that holds the cable to the mobile lever (B)
6. Using a 7/16" wrench, remove the locknut/nylon washer/bolt (C) from the fixed lever (D).

**NOTE**

Do not over tighten the locknut as the nylon washer may break.

7. Remove the defective cable.
8. Reverse the above steps to install the replacement cable.



**CAUTION**

The CPR release cables must be adjusted for the CPR mechanism to operate properly.

9. Tighten the cable nuts at the handle end first, then at the fixed lever (D) end making sure that there is a slight play in the CPR handle and that the Fowler drops at the slightest activation of the CPR handle and stops when the handle is released.
10. Verify for proper operation the instant CPR release by activating both release handles, before retuning the bed to service.

**CPR PNEUMATIC CYLINDER**

**Required Tools:**

Needle Nose Pliers          Bungee Cords                  7/16" Wrench                  1/2" Wrench  
 17 mm Wrench

**Replacement Procedure:**

1. Run the bed fully up, apply the brakes and bring the Fowler to flat position.
2. Unplug the power cord from the wall outlet and remove the head board.
3. Using needle nose pliers, remove the Rue ring/washer/nylon washers(2)/clevis pin (K, fig. 4.10, page 39) hooking up the head actuator tube to the head section lever arms.

**NOTE**

Apply grease on the clevis pin and the nylon washers before hooking up the actuator tube to the head section.

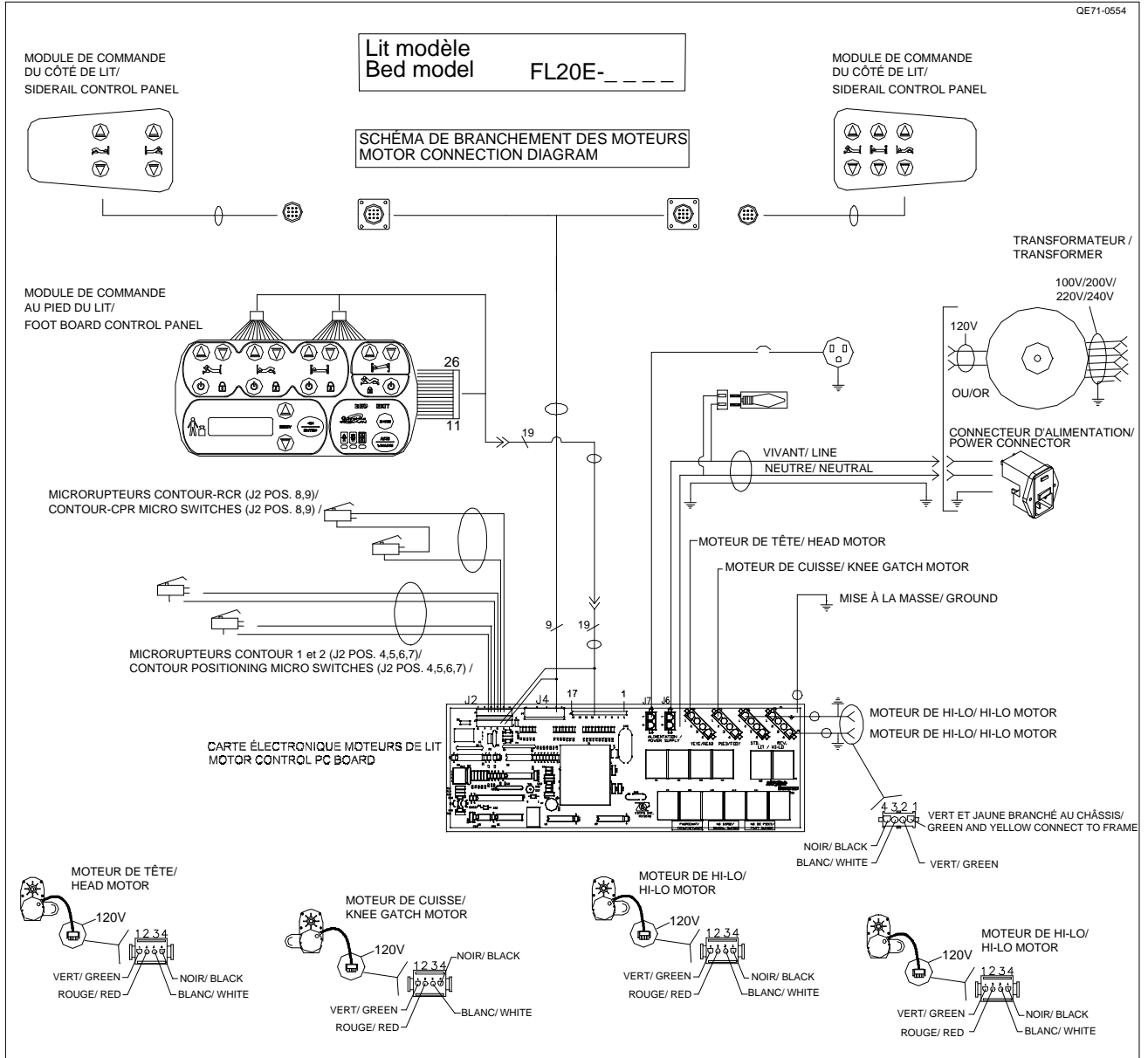
4. Manually lift the head section completely and secure its position using bungee cords.
5. Using a 7/16" wrench, remove the locknut/washers(2)/bolt (E) holding the bottom part of the cylinder to the lever. Save the two spacer sleeves (F). Be sure to replace the left spacer sleeve with the set screw (G) in the proper position to activate the micro switch.
6. Using a 1/2" key, remove the locknut/bolt (H) holding the activation mechanism to the head section.
7. Using a 17 mm wrench, loosen the cylinder locknut (J).
8. Unscrew the cylinder upper threaded end from the activation mechanism socket (K).
9. Reverse the above steps to install the replacement pneumatic cylinder.

**NOTE**

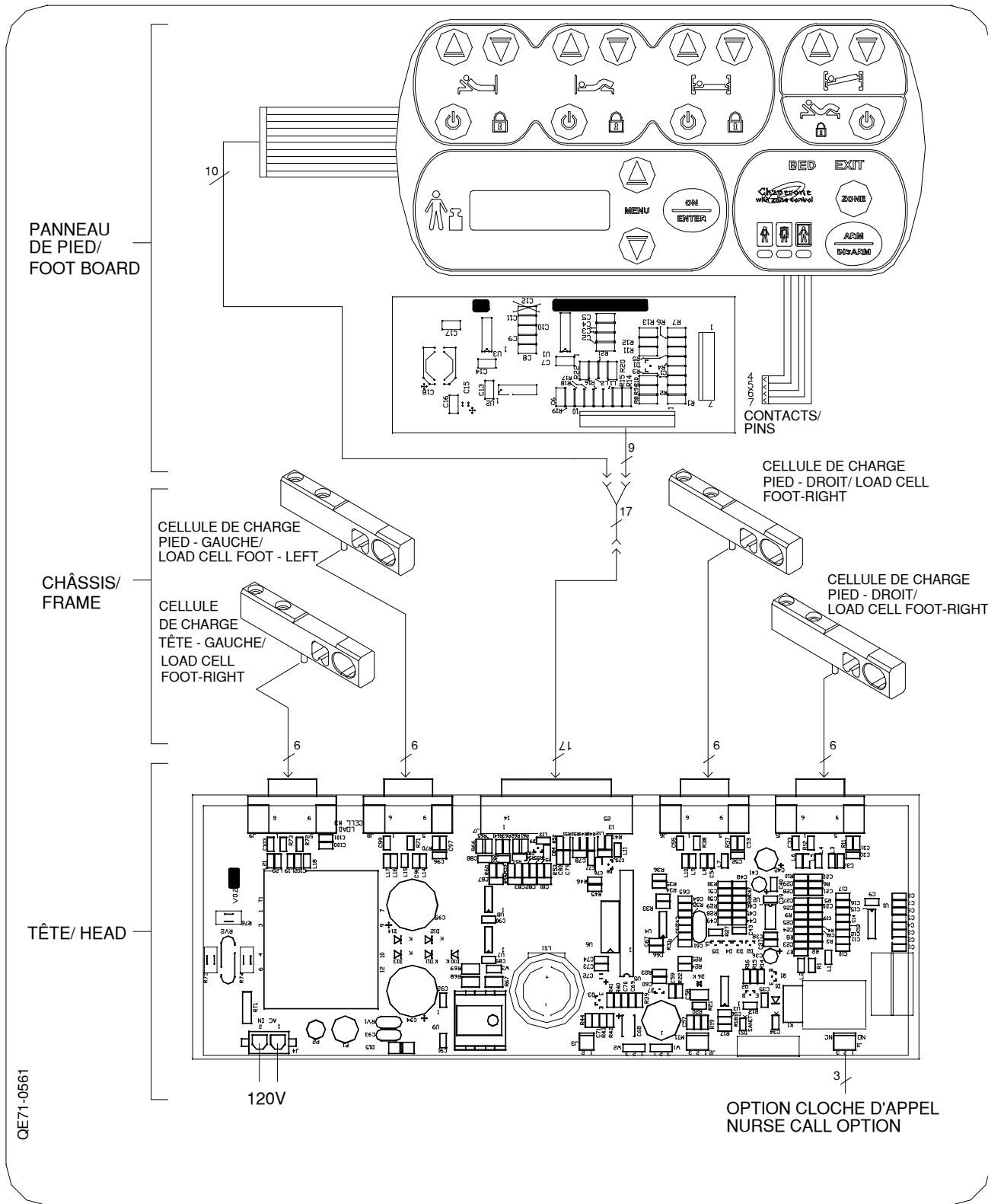
When screwing the pneumatic cylinder upper end in the activation mechanism socket, make sure the lock nut has been inserted before and leave enough cylinder threads to enable the tightening of the lock nut.

10. Verify the instant CPR release and the micro switch (which trigger the head actuator reset and the Knee Gatch lowering) for proper operation before returning the bed to service.

APPENDIX A: MOTOR CONNECTION DIAGRAM

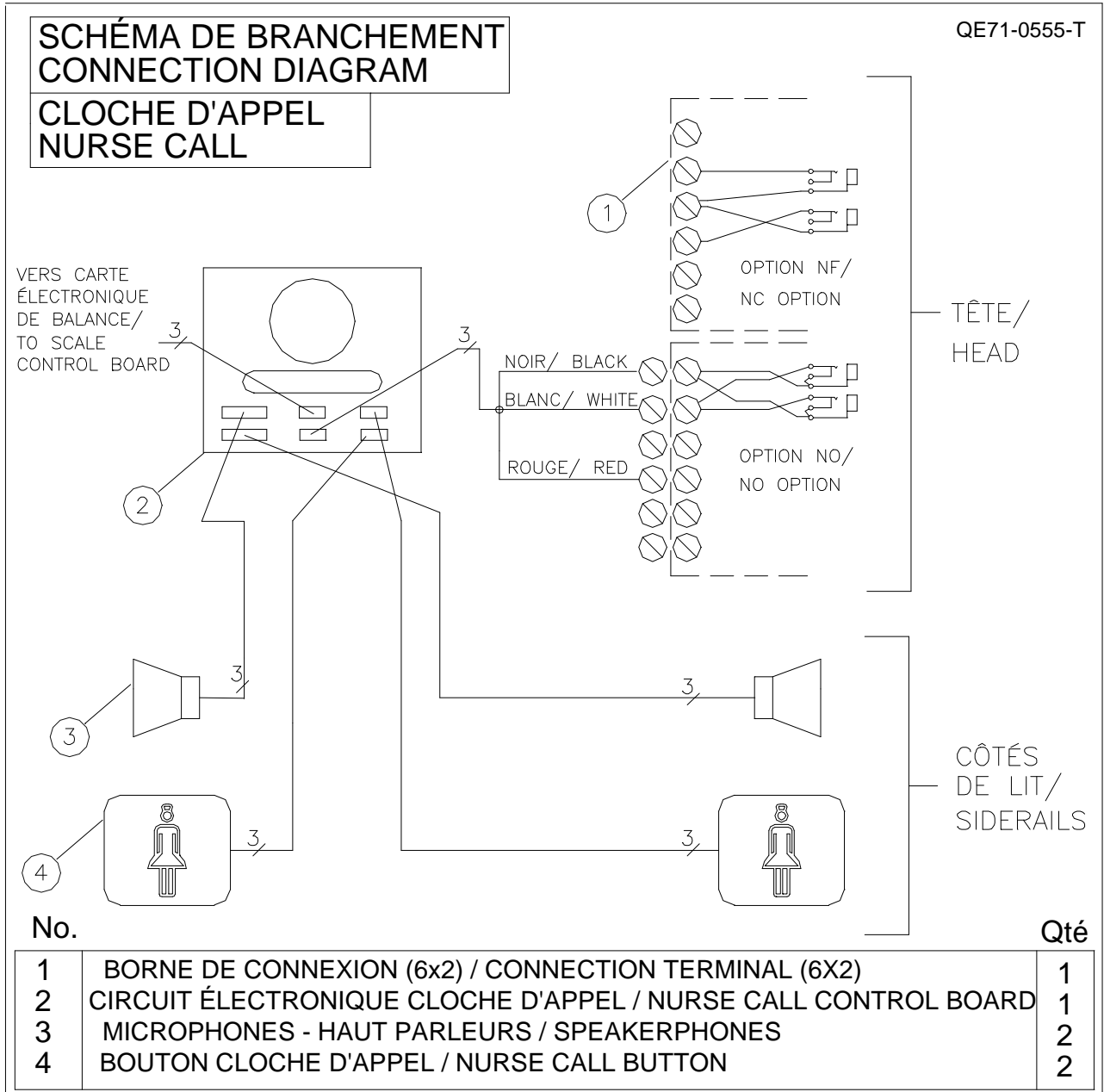


APPENDIX B: SCALE CONNECTION DIAGRAM

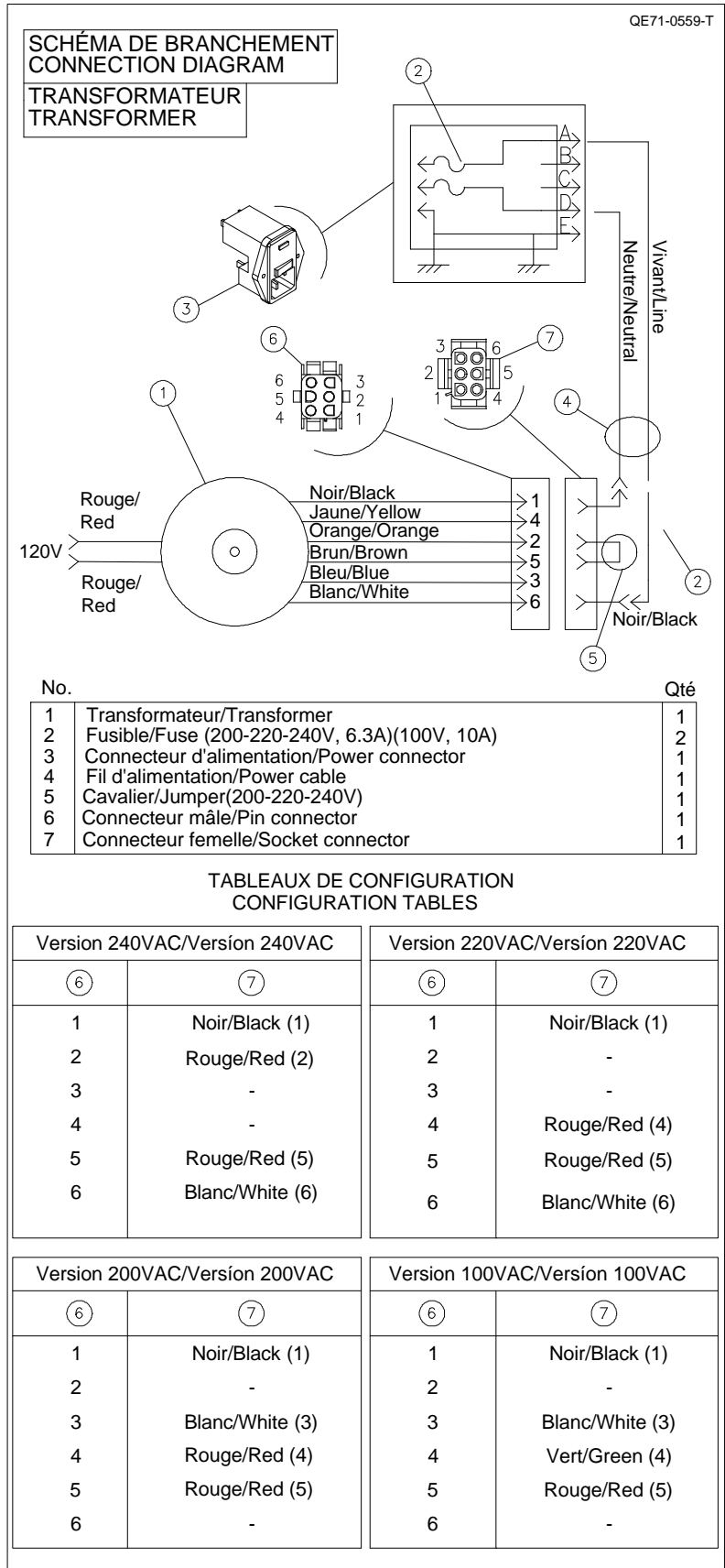


QE71-0561

APPENDIX C: NURSE CALL CONNECTION DIAGRAM



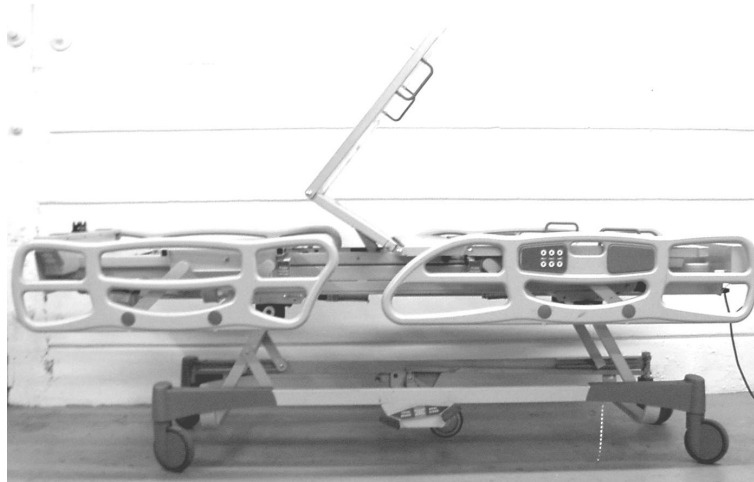
APPENDIX D: TOROID TRANSFORMER CONNECTION DIAGRAM





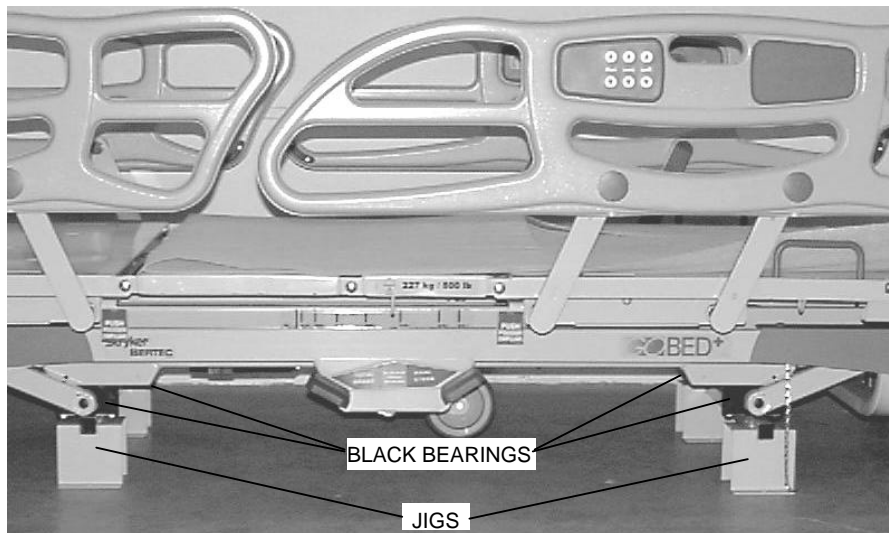
APPENDIX E: BED POSITIONS FOR MAINTENANCE PURPOSE

Figure 4.1



KNEE GATCH AND FOOT SECTION FOLDED BACK TOWARD HEAD END OF THE BED

Figure 4.10A



ALIGNMENT JIGS POSITIONED UNDER THE FOUR BLACK BEARINGS FOR A HI-LO ACTUATOR REPLACEMENT



JACK STANDS POSITIONED UNDER THE FOOT END OF THE BED



JACK STANDS POSITIONED UNDER THE HEAD END OF THE BED

Figure 4.13A