

THE DISPLAY CHOICE  
OF PROFESSIONALS™

**AG** neovo

# Product Catalogue

2019

**AG** neovo



## Inside This Brochure

### > Engineered to Perform, Built to Last

|                           |   |
|---------------------------|---|
| Security & Surveillance   | 1 |
| Digital Signage           | 1 |
| Professional Desktop / IT | 1 |
| Video Wall                | 1 |

### > AG Neovo Innovations

|                          |   |
|--------------------------|---|
| NeoV™ Optical Glass      | 2 |
| Anti-Burn-in™ Technology | 3 |

### > Product Specifications

|                             |    |
|-----------------------------|----|
| Large Format                | 4  |
| 4K UHD                      | 8  |
| Security & Surveillance     | 12 |
| Broadcasting                | 16 |
| Healthcare                  | 18 |
| Interactive                 | 20 |
| Professional Desktop / IT   | 22 |
| Display Mounts & Enclosures | 26 |

## Engineered to Perform, Built to Last.

You'll find AG Neovo displays performing reliably in places

where few would dare use a monitor. That's because unlike conventional desktop monitors, AG Neovo displays are created to meet the needs of demanding public and professional environments. Combining advanced technologies, innovative feature sets and a distinctive design, AG Neovo is changing how the world views displays.

### Security & Surveillance

Security and surveillance operations around the world need equipment that matches the complex requirements of modern security systems, as well as stand up to the rigours of operating 24 hours a day, 7 days a week while preventing image burn-in. That is why AG Neovo provides the most comprehensive range of displays that are designed to deliver the flexibility and durability suitable for even the most stringent security environments.

### Digital Signage

With more than 20 years of experience in display and video signal control solutions, AG Neovo provides digital signage solutions that are designed for 24/7 operation in all public environments. These solutions deliver a superior viewing experience and a high-level of protection with a wide variety of possible configurations perfect for retail, education, hospitality, transportation, corporations and healthcare institutions.

### Professional Desktop / IT

AG Neovo offers a variety of display types, from everyday office use models with ergonomic stands and multitasking features to professional medical-grade displays that are compliant with multiple standards and safety certifications to ensure their reliable performance. Attractive, durable and versatile, AG Neovo professional desktop and IT displays are designed to meet the demands of unique environments.

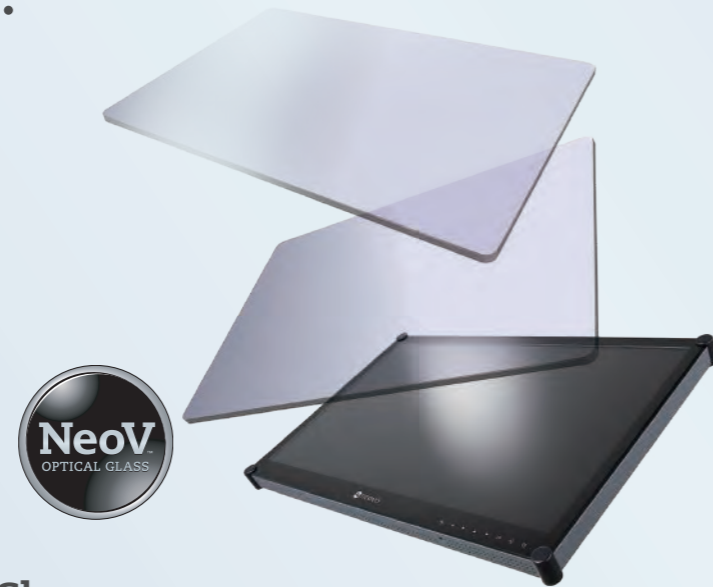
### Video Wall

Using multiple panels working in tandem, video walls offer businesses the ability to make an immediate impact in public spaces by creating eye-catching experiences that draw the viewer's attention at first glance. At the same time, they also give businesses the opportunity to optimise their creativity and messaging by delivering enhanced visuals beyond that which is available with single-display signage. Furthermore, from massive walls to more intimate setups, the scalability of video walls guarantee that businesses are able to create customised solutions that suit their needs.

# NeoV™ Optical Glass

The most advanced and trusted hard glass protection available.

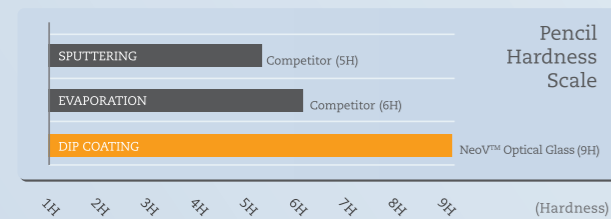
NeoV™ Optical Glass is a specially formulated, hardened optical – with a proprietary multilayer coating – to enhance image quality and protect the screen from any incidental damage incurred in high-volume environments.



## Advantages of NeoV™ Optical Glass

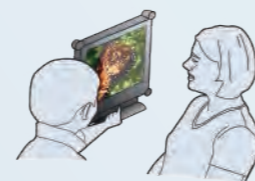
### Anti-Scratch Surface

Provides unparalleled resistance to scratches; the coated surface of NeoV™ Optical Glass reaches 9H, the highest grade on the pencil hardness scale.



### Anti-Reflection

Effectively decreases glare and reflection; results in 77.3% visual improvement over standard glass and improved viewing comfort.



### High Impact Resistance

Prevent panels from physical damage caused by accidental crash; resist force up to 227g steel ball free-falling from a height of 200cm.



### Water and Dust Resistance

Protect panels from dust and water; prolong displays life performance in dusty and damp environments.



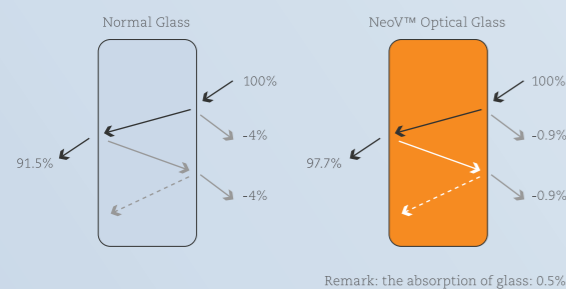
### Maintenance Made Easy

Easily cleaned and disinfected with water, alcohol and other common cleaning solutions due to high resistance towards abrasion, acid and alkali.



### High Transmittance

Provides near perfect panel brightness with a 97.7% transmittance rate, compared to an average 91% transmittance rate for competitors' products.



# Anti-Burn-in™ Technology

Preserve image quality and prevent image retention.

AG Neovo Anti-Burn-in™ technology is designed expressly to protect your investment by preventing costly image burn-in in the display's LCD panel, a common issue in security, surveillance and other environments where static images are display long periods of time.



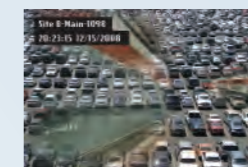
## Advantages of Anti-Burn-in™ Technology

### Prevents Image Burn-in

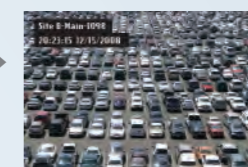
Eliminates the possibility of image burn-in through innovative design that can be turned ON or OFF as desired.



(w/o Anti-Burn-in™ Technology)



(w/ Anti-Burn-in™ Technology)



### What is "Burn-in" effect?

"Burn-in" effect is a phenomenon where images displayed for long periods of time cause the polarisation of the liquid crystal material contained within the TFT LCD panel. Polarisation of the liquid crystal material causes the image to be 'burnt' on the display.

### Continuous Surveillance

Ensures uninterrupted display of surveillance video by shifting the image imperceptibly for 15 seconds every 8 hours rather than using a screensaver function.

Uninterrupted  
DISPLAY

### Investment Protection

Guarantees full life operation of the display by eliminating the possibility damage caused by image burn-in.

Investment  
Guaranteed

# Large Format

Different industries require different formats for display selection. Some need wide-screen displays or different display sizes, while some require vertical or slim displays due to the field-site environment limits, still some industries require dual-sided displays for more commercial promotion visibility. Selecting the optimal display among the large format displays has become a crucial task for related professionals.



## DX-Series



## DF-Series



## DS-Series



## PF-Series



## PN-Series



| Specifications                          | DX-55 MVA   | DF-55 VA   | DS-55 VA  | PF-55H VA   | PN-55H IPS   | PN-55D IPS   | PN-46D VA  |
|---|---|--|---|---|--|--|--|
| TFT Panel Size                          | 55.0"   | 54.6"  | 55.0"   | 55.0"   | 54.6"  | 54.6"  | 46.0"  |
| Max. Resolution                         | FHD 1920 x 1080   | FHD 1920 x 1080  | FHD 1920 x 1080   | FHD 1080 x 1920   | FHD 1920 x 1080  | FHD 1920 x 1080  | FHD 1920 x 1080  |
| Brightness                              | 700/700 cd/m <sup>2</sup>   | 700/700 cd/m <sup>2</sup>  | 700/700 cd/m <sup>2</sup>   | 700 cd/m <sup>2</sup>   | 700 cd/m <sup>2</sup>  | 500 cd/m <sup>2</sup>  | 500 cd/m <sup>2</sup>  |
| Contrast Ratio                          | 3000:1  | 4000:1   | 3000:1  | 4000:1  | 1400:1   | 1400:1   | 3500:1   |
| Viewing Angle (H/V)                     | 178°/178°   | 178°/178°  | 178°/178°   | 178°/178°   | 178°/178°  | 178°/178°  | 178°/178°  |
| Display Colour                          | 1.07B   | 1.07B  | 1.07B   | 1.07B   | 1.07B  | 1.07B  | 16.7M  |
| Response Time                           | 6.5 ms  | 5 ms   | 5 ms  | 5 ms  | 5 ms   | 5 ms   | 5 ms   |
| Frequency (H/V)                         | H: 30 kHz~92 kHz / V: 49 Hz~85 Hz   | H: 30 kHz~92 kHz / V: 49 Hz~85 Hz                                | H: 30 kHz~92 kHz / V: 49 Hz~85 Hz   | -   | H: 31 kHz~92 kHz / V: 50 Hz~85 Hz  | H: 31 kHz~92 kHz / V: 48 Hz~85 Hz  | H: 31 kHz~92 kHz / V: 48 Hz~85 Hz  |
| Input                                   | HDMI 1.3 x 2  | HDMI 1.4 x 2   | HDMI 1.4 x 2  | HDMI 1.2, DVI, VGA, USB 2.0, Audio (3.5 mm)   | DisplayPort, HDMI 1.3b x 2, DVI, VGA, Composite/Component (BNC), RS232, RJ45, IR, USB 2.0, Audio (3.5 mm/RCA)              | DisplayPort, HDMI 1.3b x 2, DVI, VGA, Composite/Component (BNC), RS232, RJ45, IR, Audio (3.5 mm/RCA)                       | DisplayPort, HDMI 1.3b, DVI, VGA, Composite/Component (BNC), RS232, RJ45, IR, Audio (3.5 mm/RCA) |
| Output                                  | -   | -  | -   | Audio (3.5 mm)  | DisplayPort, DVI-I, RS232, IR, Audio (3.5 mm)  | DisplayPort, DVI-I, RS232, IR, Audio (3.5 mm)  | DVI-I, VGA, RS232, IR, Audio (RCA)   |
| Built-in Speakers                       | -   | -  | -   | 10W x 2   | 10W x 2  | 10W x 2  | 10W x 2  |
| Product Dimension With Base (W x H x D) | 1012.0 x 2022.0 x 71.0 mm (39.8" x 79.6" x 18.0") (screen)/ 944.0 x 459.0 mm (37.2" x 18.1") (W x D, top view, with base) | 952.7 x 2030.7 x 452.4 mm (37.5" x 79.9" x 17.8")                | Display 857.4 x 1515.9 x 23.4 mm (33.8" x 59.7" x 0.9") Power Box 280.0 x 406.0 x 55.0 mm (11.0" x 16.0" x 2.2") (without base) | 815.0 x 1975.0 x 651.0 mm (32.1" x 77.8" x 25.6")   | 1213.4 x 684.2 x 107.7 mm (47.8" x 26.9" x 4.2") (without base)  | 1213.4 x 684.2 x 107.7 mm (47.8" x 26.9" x 4.2") (without base)  | 1024.0 x 578.6 x 125.7 mm (40.3" x 22.8" x 4.9") (without base)                                  |
| Product Weight                          | 140.0 kg (308.4 lb)   | 94.5 kg (207.9 lb)   | Display 45.5 kg (100.3 lb) Power Box 4.0 kg (8.8 lb) (without base)   | 105.0 kg (231.0 lb)   | 24.9 kg (54.8 lb) (without base)   | 27.0 kg (59.5 lb) (without base)   | 23.0 kg (50.7 lb) (without base)   |
| VESA Arm/Wall Mounting                  | -   | -  | -   | -   | 400 x 400 mm   | 400 x 400 mm   | 400 x 200 mm & 200 x 200 mm  |
| Glass Type                              | Tempered Glass  | -  | -   | Tempered Glass  | -  | -  | -  |
| Features                                | 71 mm Slim Profile, HDMI Connections for Media Players/IPC, Glass Protected Floating Frame, Mobility                      | Free Standing and Movable Floor Stand, 23.4 mm Slim Depth Design | Landscape/Portrait Orientation, 23.4 mm Slim Depth Design   | 67 mm Slim Depth Design, HDMI Connection for Media Player/ IPC, Front-sided Tempered Glass Protection, Mobility | Gamma Selection, USB Playback, Scheduling, Tiling, HeatControl Sensor, Landscape/Portrait Orientation, DMR function, Alink | Scheduling, Tiling, HeatControl Sensor, Landscape/Portrait Orientation, USB Playback, Gamma Selection, DMR function, Alink | Scheduling, Tiling, HeatControl Sensor, Landscape/Portrait Orientation, Gamma Selection          |
| Remarks                                 | Optional Flight Case (FTC-55E)  | Optional IPC   | Optional IPC  | Optional Touch Screen, USB Port   | Optional Stand   | Optional Stand   | Optional Stand   |

## PD-Series



## PM-Series



| Specifications                         | PD-55 IPS   | PD-49 IPS  | PD-42 IPS  | PM-65P VA   | PM-48 VA  |
|--|---|--|--|---|---|
| TFT Panel Size                         | 54.6"   | 48.5"  | 41.9"  | 64.5"   | 47.6"   |
| Max. Resolution                        | FHD 1920 x 1080   | FHD 1920 x 1080  | FHD 1920 x 1080  | FHD 1920 x 1080   | FHD 1920 x 1080   |
| Brightness                             | 700 cd/m <sup>2</sup>   | 700 cd/m <sup>2</sup>  | 700 cd/m <sup>2</sup>  | 350 cd/m <sup>2</sup>   | 350 cd/m <sup>2</sup>   |
| Contrast Ratio                         | 1300:1  | 1300:1   | 1300:1   | 20,000,000:1 (DCR)  | 20,000,000:1 (DCR)  |
| Viewing Angle (H/V)                    | 178°/178°   | 178°/178°  | 178°/178°  | 178°/178°   | 178°/178°   |
| Display Colour                         | 1.07B   | 1.07B  | 1.07B  | 1.07B   | 1.07B   |
| Response Time                          | 5 ms  | 5 ms   | 5 ms   | 5 ms  | 5 ms  |
| Frequency (H/V)                        | H: 31 kHz-92 kHz / V: 48 Hz-85 Hz   | H: 31 kHz-92 kHz / V: 48 Hz-85 Hz  | H: 31 kHz-92 kHz / V: 48 Hz-85 Hz  | H: 31 kHz-92 kHz / V: 48 Hz-85 Hz   | H: 31 kHz-92 kHz / V: 48 Hz-85 Hz   |
| Input                                  | DisplayPort, HDMI 1.3b x 2, DVI, VGA, Composite/Component (BNC), RS232, RJ45, IR, USB 2.0, Audio (3.5 mm/RCA)               | DisplayPort, HDMI 1.3b x 2, DVI, VGA, Composite/Component (BNC), RS232, RJ45, IR, USB 2.0, Audio (3.5 mm/RCA)              | DisplayPort, HDMI 1.3b x 2, DVI, VGA, Composite/Component (BNC), RS232, RJ45, IR, USB 2.0, Audio (3.5 mm/RCA)              | DisplayPort, HDMI 1.4b x 2, DVI, VGA, Composite/Component (BNC), RS232, RJ45, IR, USB 2.0, Audio (3.5 mm/RCA) | HDMI 1.3b, DVI, VGA, Composite (BNC), Component (RCA), RS232, RJ45, IR, USB 2.0, Audio (3.5 mm/RCA) |
| Output                                 | DisplayPort, DVI-I, RS232, IR, Audio (3.5 mm)   | DisplayPort, DVI-I, RS232, IR, Audio (3.5 mm)  | DisplayPort, DVI-I, RS232, IR, Audio (3.5 mm)  | DisplayPort, DVI-I, VGA, RS232, IR, Audio (3.5 mm)  | RS232, IR, Audio (3.5 mm)   |
| Built-in Speakers                      | 10W x 2   | 10W X 2  | 10W x 2  | 10W x 2   | 10W x 2   |
| Product DimensionWith Base (W x H x D) | 1228.6 x 699.4 x 71.1 mm (48.4" x 27.5" x 2.8") (without base)  | 1092.8 x 623.0 x 71.1 mm (43.0" x 24.5" x 2.8") (without base)   | 946.9 x 541.0 x 71.1 mm (37.3" x 21.3" x 2.8") (without base)  | 1459.0 x 835.0 x 82.0 mm (57.4" x 32.9" x 3.2") (without base)  | 1081.8 x 623.4 x 59.9 mm (42.6" x 24.5" x 2.4") (without base)                                      |
| Product Weight                         | 24.7 kg (54.5 lb) (without base)  | 19.0 kg (41.9 lb) (without base)   | 15.3 kg (33.7 lb) (without base)   | 24.8 kg (54.7 lb) (without base)  | 11.5 kg (25.4 lb) (without base)  |
| VESA Arm/Wall Mounting                 | 400 x 400 mm  | 400 x 400 mm   | 200 x 200 mm   | 400 x 400 mm  | 400 x 400 mm & 400 x 200 mm   |
| Glass Type                             | -   | -  | -  | -   | -   |
| Features                               | Tiling, USB Playback, Scheduling, Heat Control Sensor, Landscape/Portrait Orientation, Gamma Selection, DMR function, Alink | Tiling, USB Playback, Scheduling, HeatControl Sensor, Landscape/Portrait Orientation, Gamma Selection, DMR function, Alink | Tiling, USB Playback, Scheduling, HeatControl Sensor, Landscape/Portrait Orientation, Gamma Selection, DMR function, Alink | Gamma Selection, USB Playback, Scheduling, 16/7 Operation, Tiling, DMR Function, Alink                        | Gamma Selection, USB Playback, Scheduling, 16/7 Operation, DMR Function                             |
| Remarks                                | Optional Stand  | Optional Stand   | Optional Stand   | Optional Stand  | Optional Stand  |

## PM-Series



## PO-Series



| Specifications                         | PM-43 VA  | PM-32 IPS   | PO-55H  | PO-55F  |
|--|---|---|---|---|
| TFT Panel Size                         | 42.5"   | 31.5"   | 54.6"   | 54.6"   |
| Max. Resolution                        | FHD 1920 x 1080   | FHD 1920 x 1080   | FHD 1920 x 1080   | FHD 1920 x 1080   |
| Brightness                             | 350 cd/m <sup>2</sup>   | 350 cd/m <sup>2</sup>   | 2500 cd/m <sup>2</sup>  | 2500 cd/m <sup>2</sup>  |
| Contrast Ratio                         | 20,000,000:1 (DCR)  | 20,000,000:1 (DCR)  | 4000:1  | 4000:1  |
| Viewing Angle (H/V)                    | 178°/178°   | 178°/178°   | 178°/178°   | 178°/178°   |
| Display Colour                         | 16.7M   | 16.7M   | 1.07B   | 1.07B   |
| Response Time                          | 5 ms  | 5 ms  | 5 ms  | 5 ms  |
| Frequency (H/V)                        | H: 31 kHz-92 kHz / V: 48 Hz-85 Hz   | H: 31 kHz-92 kHz / V: 48 Hz-85 Hz   | H: 30 kHz-80 kHz / V: 56 Hz-76 Hz                               | H: 30 kHz-80 kHz / V: 56 Hz-76 Hz                               |
| Input                                  | HDMI 1.3b, DVI, VGA, Composite (BNC), Component (RCA), RS232, RJ45, IR, USB 2.0, Audio (3.5 mm/RCA) | HDMI 1.3b, DVI, VGA, Composite (BNC), Component (RCA), RS232, RJ45, IR, USB 2.0, Audio (3.5 mm/RCA) | DisplayPort, HDMI 1.4, DVI, VGA, Audio (3.5 mm)                 | DisplayPort, HDMI 1.4, DVI, VGA, Audio (3.5 mm)                 |
| Output                                 | RS232, IR, Audio (RCA)  | RS232, IR, Audio (RCA)  | Audio (3.5 mm)  | Audio (3.5 mm)  |
| Built-in Speakers                      | 10W x 2   | 10W X 2   | 10W x 2   | -   |
| Product DimensionWith Base (W x H x D) | 968.2 x 559.4 x 59.9 mm (38.1" x 22.0" x 2.4") (without base)                                       | 726.5 x 425.4 x 64.0 mm (28.6" x 16.7" x 2.5") (without base)                                       | 1248.2 x 719.0 x 119.0 mm (49.1" x 28.3" x 4.7") (without base) | 1242.2 x 713.0 x 117.8 mm (48.9" x 28.0" x 4.6") (without base) |
| Product Weight                         | 8.7 kg (19.1 lb) (without base)   | 5.2 kg (11.5 lb) (without base)   | 36.7 kg (80.9 lb) (without base)                                | 29.2 kg (64.4 lb) (without base)                                |
| VESA Arm/Wall Mounting                 | 400 x 400 mm & 200 x 200 mm   | 200 x 200 mm & 100 x 100 mm   | 400 x 400 mm  | 400 x 400 mm  |
| Glass Type                             | -   | -   | -   | -   |
| Features                               | Gamma Selection, USB Playback, Scheduling, 16/7 Operation, DMR Function                             | Gamma Selection, USB Playback, Scheduling, 16/7 Operation, DMR Function                             | Height Adjustable Stand, HeatControl Sensor                     | Height Adjustable Stand, HeatControl Sensor                     |
| Remarks                                | Optional Stand  | Optional Stand  | -   | -   |

# 4K UHD

With the development of the modern technology, requirements for the high resolution displays have become much higher than before. Users keep looking for the displays that come with detailed image quality, particularly for the applications that demand high-resolution image visibility, such as commercial digital signage usage or the security and surveillance applications that require real-time and up-close monitoring of video and graphic information. Providing the reliable 4K/UHD displays has become crucial for product suppliers.



## QX-Series



## QD-Series



| Specifications                          | QX-55 VA   | QX-43 VA   | QX-32 VA  | QX-28  | QX-24 VA   | QD-98 IPS  | QD-84 IPS  | QD-75 IPS  |
|---|--|--|---|--|--|--|--|--|
| TFT Panel Size                          | 54.6"  | 42.5"  | 32.0"   | 27.9"  | 23.8"  | 97.5"  | 84.0"  | 74.5"  |
| Max. Resolution                         | UHD 3840 x 2160  | UHD 3840 x 2160  | UHD 3840 x 2160   | UHD 3840 x 2160  | UHD 3840 x 2160  | UHD 3840 x 2160  | UHD 3840 x 2160  | UHD 3840 x 2160  |
| Brightness                              | 450 cd/m <sup>2</sup>  | 500 cd/m <sup>2</sup>  | 350 cd/m <sup>2</sup>   | 300 cd/m <sup>2</sup>  | 300 cd/m <sup>2</sup>  | 500 cd/m <sup>2</sup>  | 500 cd/m <sup>2</sup>  | 410 cd/m <sup>2</sup>  |
| Contrast Ratio                          | 20,000,000:1 (DCR)   | 20,000,000:1 (DCR)   | 20,000,000:1 (DCR)  | 20,000,000:1 (DCR)   | 20,000,000:1 (DCR)   | 1300:1   | 1400:1   | 1200:1   |
| Viewing Angle (H/V)                     | 178°/178°  | 178°/178°  | 178°/178°   | 170°/160°  | 178°/178°  | 178°/178°  | 178°/178°  | 178°/178°  |
| Display Colour                          | 1.07B  | 16.7M  | 1.07B   | 1.07B  | 1.07B  | 1.07B  | 1.07B  | 1.07B  |
| Response Time                           | 5 ms   | 5 ms   | 5 ms  | 3 ms   | 5 ms   | 5 ms   | 5 ms   | 5 ms   |
| Frequency (H/V)                         | H: 31 kHz-92 kHz / V: 48 Hz-85 Hz  | H: 31 kHz-92 kHz / V: 48 Hz-85 Hz  | H: 31 kHz-92 kHz / V: 48 Hz-85 Hz   | H: 31 kHz-92 kHz / V: 48 Hz-85 Hz  | H: 31 kHz-92 kHz / V: 48 Hz-85 Hz  | H: 31 kHz-92 kHz / V: 48 Hz-85 Hz  | H: 32 kHz-91 kHz / V: 56 Hz-75 Hz  | H: 31 kHz-92 kHz / V: 48 Hz-85 Hz  |
| Input                                   | DisplayPort 1.2, HDMI 2.0, DVI, VGA, RS232, RJ45, USB 2.0, Audio (3.5 mm)              | DisplayPort 1.2, HDMI 2.0, DVI, VGA, RS232, RJ45, USB 2.0, Audio (3.5 mm)              | DisplayPort 1.2, HDMI 2.0, DVI, VGA, RS232, RJ45, USB 2.0, Audio (3.5 mm) | DisplayPort 1.2, HDMI 2.0, DVI, VGA, RS232, RJ45, USB 2.0, Audio (3.5 mm)        | DisplayPort 1.2, HDMI 2.0, DVI, VGA, RS232, RJ45, USB 2.0, Audio (3.5 mm)        | DisplayPort 1.2, HDMI 2.0 x 3, DVI, VGA, Composite (BNC)/Component (RCA), RJ45, IR, USB 2.0, RS232, Audio (3.5 mm/RCA)                 | DisplayPort 1.2, HDMI 2.0 x 3, DVI, VGA, Composite (BNC)/Component (RCA), RS232, RJ45, IR, USB 2.0, Audio (3.5 mm/RCA)                 | DisplayPort 1.2, HDMI 2.0 x 3, DVI, VGA, Composite (BNC)/Component (RCA), RS232, RJ45, IR, USB 2.0, Audio (3.5 mm), Audio (3.5 mm/RCA) |
| Output                                  | -  | -  | -   | -  | -  | DisplayPort 1.2, RS232, IR, Audio (3.5 mm/S/PDIF)  | DisplayPort 1.2, RS232, IR, Audio (3.5 mm/S/PDIF)  | DisplayPort 1.2, RS232, IR, Audio (3.5 mm/S/PDIF)  |
| Built-in Speakers                       | 10W x 2  | 10W x 2  | 10W x 2   | 3W x 2   | 3W x 2   | 10W x 2  | 10W x 2  | 10W x 2  |
| Product Dimension With Base (W x H x D) | 1271.0 x 742.0 x 87.0 mm (50.0" x 29.2" x 3.4") (without base)                         | 1002.5 x 589.6 x 87.0 mm (39.5" x 23.2" x 3.4") (without base)                         | 771.0 x 461.0 x 77.0 mm (30.4" x 18.1" x 2.8") (without base)             | 681.0 x 565.5 x 270.0 mm (26.8" x 22.3" x 10.6")                                 | 572.6 x 514.0 x 270.0 mm (22.5" x 20.2" x 10.6")                                 | 2193.2 x 1248.2 x 89.8 mm (86.4" x 49.1" x 3.5") (without base)  | 1910.0 x 1102.0 x 77.8 mm (75.2" x 43.4" x 3.1") (without base)  | 1676.6 x 955.0 x 73.8 mm (66.0" x 37.6" x 2.9") (without base)   |
| Product Weight                          | 39.1 kg (86.2 lb) (without base)   | 27.1 kg (59.7 lb) (without base)   | 15.7 kg (34.6 lb) (without base)  | 13.3 kg (29.3 lb)  | 10.1 kg (22.3 lb)  | 92.0 kg (202.6 lb) (without base)  | 70.0 kg (154.3 lb) (without base)  | 53.3 kg (117.3 lb) (without base)  |
| VESA Arm/Wall Mounting                  | 400 x 400 mm & 400 x 200 mm  | 400 x 400 mm & 400 x 200 mm  | 200 x 200 mm & 400 x 200 mm   | 100 x 100 mm & 100 x 200 mm  | 100 x 100 mm & 100 x 200 mm  | 800 x 500 mm   | 600 x 500 mm   | 600 x 400 mm   |
| Glass Type                              | NeoV™ Optical Glass  | NeoV™ Optical Glass  | NeoV™ Optical Glass   | NeoV™ Optical Glass  | NeoV™ Optical Glass  | -  | -  | -  |
| Features                                | Blue-light Filter, HeatControl Sensor, EcoSmart Sensor, Landscape/Portrait Orientation | Blue-light Filter, HeatControl Sensor, EcoSmart Sensor, Landscape/Portrait Orientation | Blue-light Filter, HeatControl Sensor, EcoSmart Sensor                    | Blue-light Filter, Landscape/Portrait Orientation, EcoSmart Sensor, Flicker Free | Blue-light Filter, Landscape/Portrait Orientation, EcoSmart Sensor, Flicker Free | Gamma Selection, Black-level Adjustment, USB Playback, Tiling, HeatControl Sensor, Scheduling, Handles, Landscape/Portrait Orientation | Gamma Selection, Black-level Adjustment, USB Playback, Tiling, HeatControl Sensor, Scheduling, Handles, Landscape/Portrait Orientation | Gamma Selection, Black-level Adjustment, USB Playback, Tiling, HeatControl Sensor, Scheduling, Handles, Landscape/Portrait Orientation |
| Remarks                                 | -  | -  | -   | -  | -  | -  | -  | -  |

All specifications are subject to change without prior notice.

## QM-Series



## QF-Series



| Specifications                          | QM-86 VA  | QM-75 VA  | QM-65 VA  | QM-55 VA  | QM-43 VA  | QF-28   |
|---|---|---|---|---|---|---|
| TFT Panel Size                          | 85.6"   | 74.5"   | 64.5"   | 54.6"   | 42.5"   | 27.9"   |
| Max. Resolution                         | UHD 3840 x 2160   | UHD 3840 x 2160   | UHD 3840 x 2160   | UHD 3840 x 2160   | UHD 3840 x 2160   | UHD 3840 x 2160   |
| Brightness                              | 410 cd/m <sup>2</sup>   | 410 cd/m <sup>2</sup>   | 350 cd/m <sup>2</sup>   | 350 cd/m <sup>2</sup>   | 350 cd/m <sup>2</sup>   | 300 cd/m <sup>2</sup>   |
| Contrast Ratio                          | 1200:1  | 1200:1  | 4000:1  | 4000:1  | 5000:1  | 20,000,000:1 (DCR)  |
| Viewing Angle (H/V)                     | 178°/178°   | 178°/178°   | 178°/178°   | 178°/178°   | 176°/176°   | 170°/160°   |
| Display Colour                          | 1.07B   | 1.07B   | 1.07B   | 1.07B   | 1.07B   | 1.07B   |
| Response Time                           | 5 ms  | 5 ms  | 5 ms  | 5 ms  | 5 ms  | 3 ms  |
| Frequency (H/V)                         | H: 31 kHz-92 kHz / V: 48 Hz-85 Hz   | H: 31 kHz-92 kHz / V: 48 Hz-85 Hz   | H: 31 kHz-92 kHz / V: 48 Hz-85 Hz   | H: 31 kHz-92 kHz / V: 48 Hz-85 Hz   | H: 31 kHz-92 kHz / V: 48 Hz-85 Hz   | H: 30 kHz-160 kHz / V: 23 Hz-80 Hz  |
| Input                                   | DisplayPort 1.2, HDMI 2.0 x 4, VGA, RS232, RJ45, IR, USB 2.0 x 2, USB 3.0, Audio (3.5 mm) | DisplayPort 1.2, HDMI 2.0 x 4, VGA, RS232, RJ45, IR, USB 2.0 x 2, USB 3.0, Audio (3.5 mm) | DisplayPort 1.2, HDMI 2.0 x 4, VGA, RS232, RJ45, IR, USB 2.0 x 2, USB 3.0, Audio (3.5 mm) | HDMI 2.0 x 2, DVI, VGA, RS232, RJ45, IR, USB 2.0, USB 3.0, Audio (3.5 mm) | HDMI 2.0 x 2, DVI, VGA, RS232, RJ45, IR, USB 2.0, USB 3.0, Audio (3.5 mm) | DisplayPort, HDMI 1.4, DVI, VGA, USB 3.0 x 2, USB 2.0 x 2, Audio (3.5 mm) |
| Output                                  | RS232, IR, Audio (RCA)  | RS232, IR, Audio (RCA)  | RS232, IR, Audio (RCA)  | RS232, IR, Audio (RCA)  | RS232, IR, Audio (RCA)  | Audio (3.5 mm)  |
| Built-in Speakers                       | 10W x 2   | 10W x 2   | 10W x 2   | 10W x 2   | 10W x 2   | 3W x 2  |
| Product Dimension With Base (W x H x D) | 1927.9 x 1098.9 x 85.9 mm<br>(75.9" x 43.3" x 3.4") (without base)                        | 1676.6 x 955.0 x 73.8 mm<br>(66.0" x 37.6" x 2.9") (without base)                         | 1458.7 x 834.7 x 81.6 mm<br>(54.7" x 32.9" x 3.2") (without base)                         | 1239.2 x 711.6 x 61.7 mm<br>(48.8" x 28.1" x 2.4") (without base)         | 968.2 x 559.4 x 59.9 mm<br>(38.1" x 22.0" x 2.4") (without base)          | 659.7 x 555.4 x 224.5 mm<br>(26.0" x 21.9" x 8.8")                        |
| Product Weight                          | 63.8 kg (140.7 lb) (without base)   | 53.0 kg (116.8 lb) (without base)   | 24.8 kg (54.7 lb) (without base)  | 16.0 kg (35.3 lb) (without base)  | 8.7 kg (19.2 lb) (without base)   | 7.9 kg (17.4 lb)  |
| VESA Arm/Wall Mounting                  | 600 x 400 mm  | 600 x 400 mm  | 400 x 400 mm  | 400 x 400 mm & 400 x 200 mm   | 400 x 400 mm & 200 x 200 mm   | 100 x 100mm   |
| Glass Type                              | -   | -   | -   | -   | -   | -   |
| Features                                | Gamma Selection, USB Playback, OPS Slot, HeatControl Sensor, Alink                        | Gamma Selection, USB Playback, OPS Slot, HeatControl Sensor, Alink                        | Gamma Selection, USB Playback, OPS Slot, HeatControl Sensor, Alink                        | Gamma Selection, USB Playback, HeatControl Sensor, Alink                  | Gamma Selection, USB Playback, HeatControl Sensor, Alink                  | USB Hub, Height Adjustable Stand (tilt, pivot, swivel)                    |
| Remarks                                 | -   | -   | Optional Stand  | Optional Stand  | Optional Stand  | -   |

# Security & Surveillance

As technology advances and a greater number of surveillance options become available, many security professionals are looking to reap the benefits from new display technology. While factors such as objectives, location, scale, and budget often dictate the type of display solutions adopted, qualities such as reliability, efficiency, and longevity remain mainstays in purchasing decisions for organisations.



## RX-Series



| Specifications                          | RX-55E IPS  | RX-42E IPS  | RX-32E VA   | RX-24E VA   | RX-22E VA   |
|---|---|---|---|---|---|
| TFT Panel Size                          | 54.6"   | 41.9"   | 31.5"   | 23.6"   | 21.5"   |
| Max. Resolution                         | FHD 1920 x 1080   | FHD 1920 x 1080   | FHD 1920 x 1080   | FHD 1920 x 1080   | FHD 1920 x 1080   |
| Brightness                              | 700 cd/m <sup>2</sup>   | 700 cd/m <sup>2</sup>   | 500 cd/m <sup>2</sup>   | 250 cd/m <sup>2</sup>   | 250 cd/m <sup>2</sup>   |
| Contrast Ratio                          | 1300:1  | 1300:1  | 3000:1  | 20,000,000:1 (DCR)  | 20,000,000:1 (DCR)  |
| Viewing Angle (H/V)                     | 178°/178°   | 178°/178°   | 178°/178°   | 178°/178°   | 178°/178°   |
| Display Colour                          | 1.07B   | 1.07B   | 16.7M   | 16.7M   | 16.7M   |
| Response Time                           | 5 ms  | 5 ms  | 5 ms  | 5 ms  | 5 ms  |
| Frequency (H/V)                         | H: 31 kHz-92 kHz / V: 48 Hz-85 Hz   | H: 31 kHz-92 kHz / V: 48 Hz-85 Hz   | H: 31 kHz-92 kHz / V: 48 Hz-85 Hz   | H: 24 kHz-83 kHz / V: 50 Hz-75 Hz   | H: 24 kHz-83 kHz / V: 50 Hz-75 Hz   |
| Input                                   | DisplayPort 1.2, HDMI 1.4 x 2, DVI, VGA, Composite (BNC), Component (BNC), RS232, RJ45, IR, USB 2.0, Audio (3.5 mm/RCA) | DisplayPort 1.2, HDMI 1.4 x 2, DVI, VGA, Composite (BNC), Component (BNC), RS232, RJ45, IR, USB 2.0, Audio (3.5 mm/RCA) | DisplayPort 1.2, HDMI 1.4 x 2, DVI, VGA, Composite (BNC), Component (BNC), RS232, RJ45, IR, USB 2.0, Audio (3.5 mm/RCA) | DisplayPort, HDMI 1.4, DVI, VGA, Composite (BNC) x 2, S-Video, RS232, USB 2.0, Audio (3.5 mm/RCA) | DisplayPort, HDMI 1.4, DVI, VGA, Composite (BNC) x 2, S-Video, RS232, USB 2.0, Audio (3.5 mm/RCA) |
| Output                                  | DisplayPort 1.2, DVI, Composite (BNC), RS232, IR, Audio (3.5 mm)  | DisplayPort 1.2, DVI, Composite (BNC), RS232, IR, Audio (3.5 mm)  | DisplayPort 1.2, DVI, Composite (BNC), RS232, IR, Audio (3.5 mm)  | Composite (BNC), Audio (RCA)  | Composite (BNC), Audio (RCA)  |
| Built-in Speakers                       | 10W x 2   | 10W x 2   | 10W x 2   | 2W x 2  | 2W x 2  |
| Product Dimension With Base (W x H x D) | 1268.8 x 739.6 x 83.0 mm (50.0" x 29.1" x 3.3") (without base)  | 987.2 x 581.2 x 83.0 mm (38.9" x 22.9" x 3.3") (without base)   | 757.6 x 452.0 x 75.1 mm (29.8" x 17.8" x 3.0") (without base)   | 562.0 x 396.8 x 155.0 mm (22.1" x 15.6" x 6.1")   | 513.0 x 368.5 x 155.0 mm (20.2" x 14.5" x 6.1")   |
| Product Weight                          | 37.0 kg (81.6 lb) (without base)  | 23.1 kg (50.9 lb) (without base)  | 15.0 kg (33.1 lb) (without base)  | 7.9 kg (17.4 lb)  | 6.8 kg (15.0 lb)  |
| VESA Arm/Wall Mounting                  | 400 x 400 mm  | 200 x 200 mm  | 400 x 200 mm  | 100 x 100 mm & 75 x 75 mm   | 100 x 100 mm & 75 x 75 mm   |
| Glass Type                              | NeoV™ Optical Glass   | NeoV™ Optical Glass   | NeoV™ Optical Glass   | NeoV™ Optical Glass   | NeoV™ Optical Glass   |
| Features                                | Gamma Selection, OPS Slot, Scheduling, Tiling, HeatControl Sensor, Landscape/Portrait Orientation, EcoSmart Sensor      | Gamma Selection, OPS Slot, Scheduling, Tiling, HeatControl Sensor, Landscape/Portrait Orientation, EcoSmart Sensor      | Gamma Selection, Scheduling, Tiling, Landscape/Portrait Orientation, EcoSmart Sensor                                    | Gamma Selection, Black-level Adjustment, EcoSmart Sensor, Front-sided IP22                        | Gamma Selection, Black-level Adjustment, EcoSmart Sensor, Front-sided IP22                        |
| Remarks                                 | Optional Stand  | Optional Stand  | Optional Stand  | Available in black and white, Optional Stand  | Available in black and white, Optional Stand  |

All specifications are subject to change without prior notice.



## SX-Series



| Specifications                          | SX-19E  | SX-17E  | SX-15E VA   |
|---|---|---|---|
| TFT Panel Size                          | 19.0"   | 17.0"   | 15.0"   |
| Max. Resolution                         | SXGA 1280 x 1024  | SXGA 1280 x 1024  | XGA 1024 x 768  |
| Brightness                              | 250 cd/m <sup>2</sup>   | 250 cd/m <sup>2</sup>   | 300 cd/m <sup>2</sup>   |
| Contrast Ratio                          | 20,000,000:1 (DCR)  | 20,000,000:1 (DCR)  | 20,000,000:1 (DCR)  |
| Viewing Angle (H/V)                     | 170°/160°   | 170°/160°   | 176°/176°   |
| Display Colour                          | 16.7M   | 16.7M   | 16.2 M  |
| Response Time                           | 3 ms  | 3 ms  | 5 ms  |
| Frequency (H/V)                         | H: 24 kHz~81 kHz / V: 50 Hz~75 Hz   | H: 24 kHz~81 kHz / V: 50 Hz~75 Hz   | H: 24 kHz~81 kHz / V: 50 Hz~75 Hz   |
| Input                                   | DisplayPort, HDMI 1.4, DVI, VGA, Composite (BNC) x 2, S-Video, RS232, USB 2.0, Audio (3.5 mm/RCA) | DisplayPort, HDMI 1.4, DVI, VGA, Composite (BNC) x 2, S-Video, RS232, USB 2.0, Audio (3.5 mm/RCA) | DisplayPort, HDMI 1.4, DVI, VGA, Composite (BNC) x 2, S-Video, RS232, USB 2.0, Audio (3.5 mm/RCA) |
| Output                                  | Composite (BNC) x 2, Audio (RCA)  | Composite (BNC) x 2, Audio (RCA)  | Composite (BNC) x 2, Audio (RCA)  |
| Built-in Speakers                       | 2W x 2  | 2W x 2  | 2W x 2  |
| Product Dimension With Base (W x H x D) | 445.4 x 420.2 x 175.0 mm (17.5" x 16.5" x 6.9")   | 409.4 x 398.2 x 175.0 mm (16.1" x 15.7" x 6.9")   | 380.0 x 359.0 x 155.0 mm (15.0" x 14.1" x 6.1")   |
| Product Weight                          | 7.0 kg (15.4 lb)  | 6.1 kg (13.4 lb)  | 4.7 kg (10.4 lb)  |
| VESA Arm/Wall Mounting                  | 100 x 100 mm & 75 x 75 mm   | 100 x 100 mm & 75 x 75 mm   | 100 x 100 mm & 75 x 75 mm   |
| Glass Type                              | NeoV™ Optical Glass   | NeoV™ Optical Glass   | NeoV™ Optical Glass   |
| Features                                | Gamma Selection, EcoSmart Sensor, Front-sided IP22  | Gamma Selection, EcoSmart Sensor, Front-sided IP22  | Gamma Selection, EcoSmart Sensor, Front-sided IP22, Flicker Free                                  |
| Remarks                                 | -   | -   | -   |

# Broadcasting

Broadcast environments combine multiple live feeds to produce programming, monitor and control television broadcasts. Constant monitoring of real-time content in this demanding environment makes reliability critical to ensure system long-life and uptime. AG Neovo professional displays are designed and built for non-stop 24/7 operation. The hard-wrought metal casing industrial designs, meticulously selected components coupled with the robust protection of NeoV™ Optical Glass and Anti-Burn-in™ proprietary technologies set AG Neovo displays apart in environments where downtime is not an option.



## HX-Series



| Specifications                          | HX-55E IPS   | HX-42E IPS  | HX-32E IPS  | HX-24E VA   |
|---|--|---|---|---|
| TFT Panel Size                          | 54.6"  | 41.9"   | 31.5"   | 23.6"   |
| Max. Resolution                         | FHD 1920 x 1080  | FHD 1920 x 1080   | FHD 1920 x 1080   | FHD 1920 x 1080   |
| Brightness                              | 700 cd/m <sup>2</sup>  | 700 cd/m <sup>2</sup>   | 500 cd/m <sup>2</sup>   | 250 cd/m <sup>2</sup>   |
| Contrast Ratio                          | 1300:1   | 1300:1  | 3000:1  | 20,000,000:1 (DCR)  |
| Viewing Angle (H/V)                     | 178°/178°  | 178°/178°   | 178°/178°   | 178°/178°   |
| Display Colour                          | 1.07B  | 16.7M   | 16.7M   | 16.7M   |
| Response Time                           | 5 ms   | 5 ms  | 5 ms  | 5 ms  |
| Frequency (H/V)                         | H: 31 kHz-92 kHz / V: 48 Hz-85 Hz  | H: 31 kHz-92 kHz / V: 48 Hz-85 Hz   | H: 31 kHz-92 kHz / V: 48 Hz-85 Hz   | H: 24 kHz-83 kHz / V: 50 Hz-75 Hz   |
| Input                                   | DisplayPort 1.2, HDMI 1.4 x 2, DVI, VGA, Composite/3G-SDI (BNC), Component (BNC), RS232, RJ45, IR, USB 2.0, Audio (3.5 mm/RCA) | DisplayPort 1.2, HDMI 1.4 x 2, DVI, VGA, Composite/3G-SDI (BNC), Component (BNC), RS232, RJ45, IR, USB 2.0, Audio (3.5 mm/RCA)              | DisplayPort 1.2, HDMI 1.4 x 2, DVI, VGA, Composite/3G-SDI (BNC), Component (BNC), RS232, RJ45, IR, USB 2.0, Audio(3.5 mm/RCA)               | DisplayPort, HDMI 1.4, DVI, VGA, Composite (BNC), RS232, USB 2.0, Audio (3.5 mm/RCA)                                      |
| Output                                  | DisplayPort, DVI, Composite/3G-SDI (BNC), RS232, IR, Audio (3.5 mm)  | DisplayPort, DVI, Composite/3G-SDI (BNC), RS232, IR, Audio (3.5 mm)   | DisplayPort, DVI, Composite/3G-SDI (BNC), RS232, IR, Audio (3.5 mm)   | Composite (BNC), 3G-SDI (BNC), Audio (RCA)  |
| Built-in Speakers                       | 10W x 2  | 10W x 2   | 10W x 2   | 2W x 2  |
| Product Dimension With Base (W x H x D) | 1268.8 x 739.6 x 83.0 mm<br>(50.0" x 29.1" x 3.3") (without base)  | 987.2 x 581.2 x 83.0 mm<br>(38.9" x 22.9" x 3.3") (without base)  | 757.6 x 452.0 x 75.1 mm<br>(29.8" x 17.8" x 3.0") (without base)  | 562.4 x 396.8 x 155.0 mm<br>(22.1" x 15.6" x 6.1") (without base)   |
| Product Weight                          | 37.1 kg (81.8 lb) (without base)   | 23.2 kg (51.1 lb) (without base)  | 15.2 kg (33.5 lb) (without base)  | 7.9 kg (17.4 lb) (without base)   |
| VESA Arm/Wall Mounting                  | 400 x 400 mm   | 200 x 200 mm  | 400 x 200 mm  | 100 x 100 mm & 75 x 75 mm   |
| Glass Type                              | NeoV™ Optical Glass  | NeoV™ Optical Glass   | NeoV™ Optical Glass   | NeoV™ Optical Glass   |
| Features                                | Scheduling, Tiling, HeatControl Sensor, Landscape/Portrait Orientation, EcoSmart Sensor, Alink                                 | SDI (3G-SDI, HD-SDI, SD-SDI) Signal Looping, Scheduling, Tiling, HeatControl Sensor, Landscape/Portrait Orientation, EcoSmart Sensor, Alink | SDI (3G-SDI, HD-SDI, SD-SDI) Signal Looping, Scheduling, Tiling, HeatControl Sensor, Landscape/Portrait Orientation, EcoSmart Sensor, Alink | Gamma Selection, SDI (3G-SDI, HD-SDI, SD-SDI) Signal Looping, EcoSmart Sensor, Auto Detect Video Signal, Front-sided IP22 |
| Remarks                                 | Optional Stand   | Optional Stand  | Optional Stand  | -   |

# Healthcare

The displays used in medical scenarios usually require flexibility and easy field-site installation. Besides, these displays need to be EN/IEC 60601-1-certified, ensuring a safety medical environment for both patients and clinical professionals. Meanwhile, image clarity is also a crucial factor for bringing the detailed images and visual presentations for medical survey and accurate diagnosis. Suppliers need to use the advanced technology and provide the reliable displays for increasing medical accuracy and efficiency.



## MX-Series



## DR-Series



## MD-Series



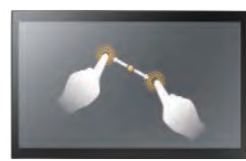
| Specifications                          | MX-24   | MX-22   | DR-22E VA   | DR-17E  | MD-27 VA  | MD-24 IPS   |
|---|---|---|---|---|---|---|
| TFT Panel Size                          | 23.5"   | 21.5"   | 21.5"   | 17.0"   | 27.0"   | 23.8"   |
| Max. Resolution                         | FHD 1920 x 1080   | FHD 1920 x 1080   | FHD 1920 x 1080   | SXGA 1280 x 1024  | FHD 1920 x 1080   | FHD 1920 x 1080   |
| Brightness                              | 300 cd/m <sup>2</sup>   | 250 cd/m <sup>2</sup>   | 250 cd/m <sup>2</sup>   | 250 cd/m <sup>2</sup>   | 300 cd/m <sup>2</sup>   | 250 cd/m <sup>2</sup>   |
| Contrast Ratio                          | 20,000,000:1 (DCR)  | 20,000,000:1 (DCR)  | 20,000,000:1 (DCR)  | 20,000,000:1 (DCR)  | 20,000,000:1 (DCR)  | 20,000,000:1 (DCR)  |
| Viewing Angle (H/V)                     | 170°/160°   | 170°/160°   | 178°/178°   | 170°/160°   | 178°/178°   | 178°/178°   |
| Display Colour                          | 16.7M   | 16.7M   | 16.7M   | 16.7M   | 16.7M   | 16.7M   |
| Response Time                           | 3 ms  | 3 ms  | 5 ms  | 3 ms  | 5 ms  | 5 ms  |
| Frequency (H/V)                         | H: 24 kHz-83 kHz / V: 50 Hz-75 Hz                                 | H: 24 kHz-83 kHz / V: 50 Hz-75 Hz                                 | H: 24 kHz-83 kHz / V: 50 Hz-75 Hz   | H: 24 kHz-81 kHz / V: 50 kHz-75 kHz   | H: 30 kHz-85 kHz / V: 45 Hz-76 Hz   | H: 30 kHz-85 kHz / V: 45 Hz-76 Hz   |
| Input                                   | DisplayPort, HDMI 1.4, DVI, VGA, Audio (3.5 mm)                   | DisplayPort, HDMI 1.4, DVI, VGA, Audio (3.5 mm)                   | DisplayPort, HDMI 1.4, DVI, VGA, Composite x 2 (BNC), S-Video, USB 2.0, RS232, Audio (3.5 mm / RCA)                                       | DisplayPort, HDMI 1.4, DVI, VGA, Composite x 2 (BNC), S-Video, USB 2.0, RS232, Audio (3.5 mm / RCA)                                       | HDMI 1.4, VGA, Audio (3.5 mm)   | HDMI 1.4, VGA, Audio (3.5 mm)   |
| Output                                  | -   | -   | Composite x 2 (BNC), Audio (RCA)  | Composite x 2 (BNC), Audio (RCA)  | -   | -   |
| Built-in Speakers                       | 2W x 2  | 2W x 2  | 2W x 2  | 2W x 2  | 2W x 2  | 2W x 2  |
| Product Dimension With Base (W x H x D) | 562.4 x 396.8 x 155.0 mm (22.1" x 15.6" x 6.1")                   | 513.2 x 368.5 x 155.0 mm (20.2" x 14.5" x 6.1")                   | 513.2 x 368.5 x 155.0 mm (20.2" x 14.5" x 6.1")   | 409.4 x 398.2 x 175.0 mm (16.1" x 15.7" x 6.9")   | 611.9 x 518.7 x 249.0 mm (24.1" x 20.4" x 9.8")                                     | 540.6 x 498.6 x 249.0 mm (21.3" x 19.6" x 9.8")                                     |
| Product Weight                          | 7.8 (17.2 lb)   | 6.7 kg (14.7 lb)  | 6.8 kg (15.0 lb)  | 6.1 kg (13.4 lb)  | 6.6 kg (14.5 lb)  | 5.7 kg (12.5 lb)  |
| VESA Arm/Wall Mounting                  | 100 x 100 mm & 75 x 75 mm   | 100 x 100 mm & 75 x 75 mm   | 100 x 100 mm & 75 x 75 mm   | 100 x 100 mm & 75 x 75 mm   | 100 x 100 mm  | 100 x 100 mm  |
| Glass Type                              | NeoV™ Optical Glass   | NeoV™ Optical Glass   | NeoV™ Optical Glass   | NeoV™ Optical Glass   | -   | -   |
| Features                                | DICOM Part 14, Gamma Selection, EcoSmart Sensor, Front-sided IP22 | DICOM Part 14, Gamma Selection, EcoSmart Sensor, Front-sided IP22 | Illuminator Mode, DC 24V Power Supply, Gamma Selection, Black-level Adjustment, EcoSmart Sensor, Equipotential Terminal, Front-sided IP22 | Illuminator Mode, DC 24V Power Supply, Gamma Selection, Black-level Adjustment, EcoSmart Sensor, Equipotential Terminal, Front-sided IP22 | Ergonomically-designed Stand; EN60601-1, IEC60601-1, Landscape/Portrait Orientation | Ergonomically-designed Stand; EN60601-1, IEC60601-1, Landscape/Portrait Orientation |
| Remarks                                 | Optional Display Handle (HDL-02)                                  | Optional Display Handle (HDL-02)                                  | Optional Display Handle (HDL-02)  | Optional Display Handle (HDL-01)  | -   | -   |

# Interactive

Touch panels and displays have recently become a main industry where it requires a direct and interactive contact between users and the displays. It needs highly sensitive and reliable panel for the media to perform the command, and requires advanced technology knowledge to provide the reliability product to increase communication performance and efficiency.



## TX-Series



## TM-Series

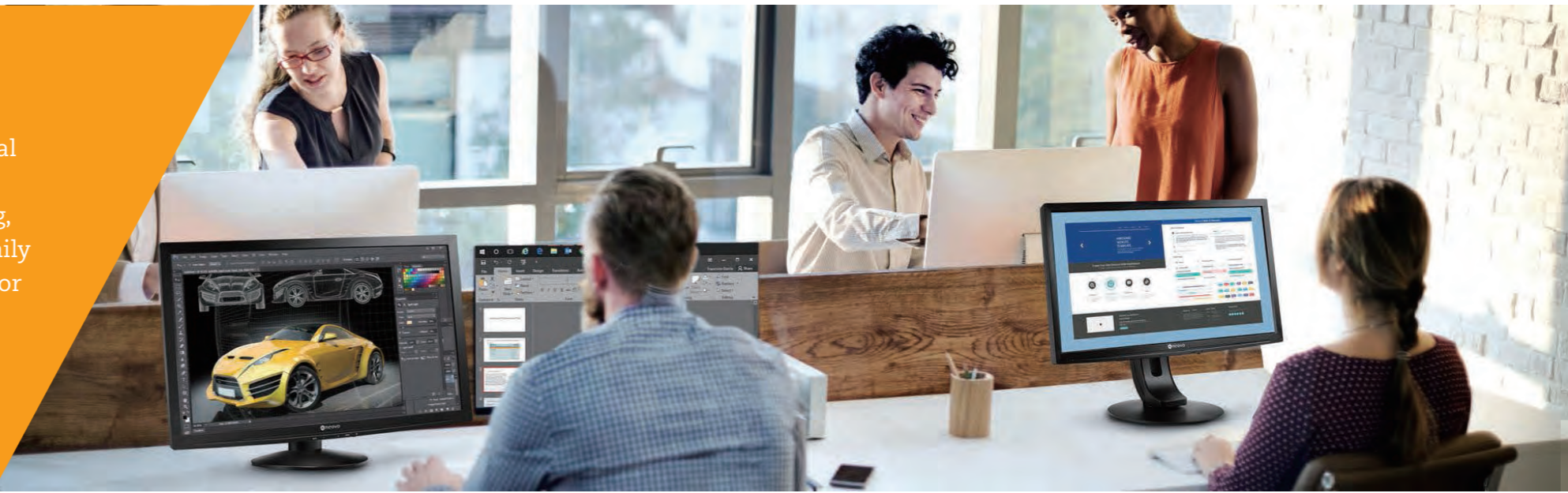


| Specifications                          | TX-42P VA  | TX-32P VA  | TX-22 IPS   | TX-19 IPS  | TX-17 VA   | TX-15  | TM-23 IPS  | TM-22   |  |
|---|--|--|---|--|--|--|--|---|--|
| TFT Panel Size                          | 42.0"  | 31.5"  | 21.5"   | 18.9"  | 17.0"  | 15.0"  | 23.0"  | 21.5"   |  |
| Max. Resolution                         | FHD 1920 x 1080  | FHD 1920 x 1080  | FHD 1920 x 1080   | SXGA 1280 x 1024   | SXGA 1280 x 1024   | XGA 1024 x 768   | FHD 1920 x 1080  | FHD 1920 x 1080   |  |
| Brightness                              | 500 cd/m <sup>2</sup>  | 500 cd/m <sup>2</sup>  | 250 cd/m <sup>2</sup>   | 250 cd/m <sup>2</sup>  | 250 cd/m <sup>2</sup>  | 350 cd/m <sup>2</sup>  | 250 cd/m <sup>2</sup>  | 250 cd/m <sup>2</sup>   |  |
| Contrast Ratio                          | 4000:1   | 3000:1   | 1000:1  | 1000:1   | 1000:1   | 800:1  | 20,000,000:1 (DCR)   | 20,000,000:1 (DCR)  |  |
| Viewing Angle (H/V)                     | 178°/178°  | 178°/178°  | 178°/178°   | 178°/178°  | 170°/160°  | 160°/150°  | 178°/178°  | 170°/160°   |  |
| Display Colour                          | 16.7M  | 16.7M  | 16.7M   | 16.7M  | 16.7M  | 16.2M  | 16.7M  | 16.7M   |  |
| Response Time                           | 5 ms   | 5 ms   | 5 ms  | 5 ms   | 3 ms   | 5 ms   | 5 ms   | 3 ms  |  |
| Frequency (H/V)                         | H: 30 kHz-80 kHz / V: 56 Hz-76 Hz  | H: 30 kHz-80 kHz / V: 50 Hz-76 Hz  | H: 31 kHz-82 kHz / V: 50 Hz-75 Hz   | H: 31 kHz-80 kHz / V: 50 Hz-75 Hz  | H: 31 kHz-80 kHz / V: 50 Hz-75 Hz  | H: 31.47 kHz-60.02 kHz / V: 55 Hz-75 Hz  | H: 30 kHz-83 kHz / V: 50 Hz-76 Hz  | H: 30 kHz-83 kHz / V: 50 Hz-76 Hz                             |  |
| Input                                   | HDMI 1.4, DVI, VGA, RS232, Audio (3.5 mm)  | HDMI 1.4, DVI, VGA, RS232, Audio (3.5 mm)  | DVI, VGA, RJ11  | DVI, VGA, RJ11   | DVI, VGA, RJ11   | DVI, VGA, RJ11   | DisplayPort, HDMI 1.3, VGA, USB HUB (3.0 x 4), Audio (3.5 mm)  | DisplayPort, HDMI 1.3, VGA, USB HUB (3.0 x 4), Audio (3.5 mm) |  |
| Output                                  | Audio (3.5 mm)   | Audio (3.5 mm)   | -   | -  | -  | USB 2.0 Type B Touch Port  | -  | -   |  |
| Built-in Speakers                       | 10W x 2  | 10W x 2  | -   | -  | -  | -  | 2W x 2   | 2W x 2  |  |
| Product Dimension With Base (W x H x D) | 978.5 x 578.2 x 82.1 mm (38.5" x 22.8" x 3.2") (without base)  | 750.2 x 466.8 x 69.6 mm (29.5" x 18.4" x 2.7") (without base)  | 528.6 x 346.7 x 214.2 mm (20.8" x 13.7" x 8.4")   | 427.0 x 374.6 x 214.2 mm (16.8" x 14.7" x 8.4")  | 380.0 x 343.4 x 214.2 mm (15.0" x 13.5" x 8.4")  | 348.4 x 312.7 x 214.2 mm (13.7" x 12.3" x 8.4")  | 561.0 x 400.0 x 238.5 mm (22.1" x 15.7" x 9.4")  | 522.4 x 387.4 x 238.5 mm (20.6" x 15.3" x 9.4")               |  |
| Product Weight                          | 24.5 kg (54.0 lb) (without base)   | 12.5 kg (27.6 lb) (without base)   | 6.7 kg (14.8 lb)  | 6.5 kg (14.3 lb)   | 5.8 kg (12.8 lb)   | 4.6 kg (10.1 lb)   | 6.6 kg (14.6 lb)   | 6.3 kg (13.9 lb)  |  |
| VESA Arm/Wall Mounting                  | 400 x 400 mm   | 400 x 200 mm   | 100 x 100 mm  | 100 x 100 mm   | 100 x 100 mm   | 100 x 100 mm   | 100 x 100 mm   | 100 x 100 mm  |  |
| Glass Type                              | Tempered Glass   | Tempered Glass   | Tempered Glass  | Tempered Glass   | Tempered Glass   | Tempered Glass   | Tempered Glass   | Tempered Glass  |  |
| Features                                | Projected Capacitive Touch Technology, EcoSmart Sensor, Scheduling, Landscape/Portrait Orientation   | Projected Capacitive Touch Technology, EcoSmart Sensor, Scheduling, Landscape/Portrait Orientation   | Projected Capacitive Touch Technology, Front-sided IP65 Rating, RJ11 for optional OSD external remote control   | Projected Capacitive Touch Technology, RJ11 for optional OSD external remote control                         | Projected Capacitive Touch Technology, RJ11 for optional OSD external remote control                         | Projected Capacitive Touch Technology, RJ11 for optional OSD external remote control                         | Projected Capacitive Touch Technology, Dual-hinge Stand  | Projected Capacitive Touch Technology, Dual-hinge Stand       |  |
| Remarks                                 | 10-point touch for Windows 10, Android (Kernel 3.8+), Linux (Kernel 3.8+) by plug & play, Mac10.7~Mac10.13 by UPDD Driver (UPDD_06_00_376) | 10-point touch for Windows 10, Android (Kernel 3.8+), Linux (Kernel 3.8+) by plug & play, Mac10.7~Mac10.13 by UPDD Driver (UPDD_06_00_376) | 10-point touch for Windows 10 by plug & play, Android 2.1+ & 4.0 by driver 5-point touch for Linux by driver Front-Sided IP65 White model with medical-grade DV 12V power adapter | 10-point touch for Windows 10 by plug & play, Android 2.1+ & 4.0 by driver 5-point touch for Linux by driver | 10-point touch for Windows 10 by plug & play, Android 2.1+ & 4.0 by driver 5-point touch for Linux by driver | 10-point touch for Windows 10 by plug & play, Android 2.1+ & 4.0 by driver 5-point touch for Linux by driver | 10-point touch for Windows 10 by plug & play, Android 2.1+ & 4.0 by driver 5-point touch for Linux by driver | 10-point touch for Windows 10 by plug & play                  | 10-point touch for Windows 10 by plug & play |

All specifications are subject to change without prior notice.

# Professional Desktop / IT

Desktop displays play an essential part in various modern industries. All visual presentations require a desktop display for different applications: Software developers need computers and desktop displays for programming, compiling, and operation, and office workers find desktop displays necessary for their daily work. Selecting a reliable desktop displays have become so basic and crucial for efficiency and convenience.



## X-Series



## LA-Series



| Specifications                          | X-24E   | X-22E   | X-19E   | X-17E   | X-15E VA  | LA-27 VA  | LA-24 IPS                                       | LA-22   |
|---|---|---|---|---|---|---|---|---|
| TFT Panel Size                          | 23.5"   | 21.5"   | 19.0"   | 17.0"   | 15.0"   | 27.0"   | 23.8"   | 21.5"   |
| Max. Resolution                         | FHD 1920 x 1080   | FHD 1920 x 1080   | SXGA 1280 x 1024  | SXGA 1280 x 1024  | XGA 1024 x 768  | FHD 1920 x 1080                                 | FHD 1920 x 1080                                 | FHD 1920 x 1080                                 |
| Brightness                              | 300 cd/m <sup>2</sup>   | 250 cd/m <sup>2</sup>   | 250 cd/m <sup>2</sup>   | 250 cd/m <sup>2</sup>   | 300 cd/m <sup>2</sup>   | 330 cd/m <sup>2</sup>                           | 270 cd/m <sup>2</sup>                           | 250 cd/m <sup>2</sup>                           |
| Contrast Ratio                          | 20,000,000:1 (DCR)  | 20,000,000:1 (DCR)  | 20,000,000:1 (DCR)  | 20,000,000:1 (DCR)  | 20,000,000:1 (DCR)  | 20,000,000:1 (DCR)                              | 20,000,000:1 (DCR)                              | 20,000,000:1 (DCR)                              |
| Viewing Angle (H/V)                     | 170°/160°   | 170°/160°   | 170°/160°   | 170°/160°   | 176°/176°   | 178°/178°                                       | 178°/178°                                       | 170°/160°                                       |
| Display Colour                          | 16.7M   | 16.7M   | 16.7M   | 16.7M   | 16.2M   | 16.7M   | 16.7M   | 16.7M   |
| Response Time                           | 3 ms  | 3 ms  | 3 ms  | 3 ms  | 5 ms  | 5 ms  | 5 ms  | 3 ms  |
| Frequency (H/V)                         | H: 24 kHz-83 kHz / V: 50 Hz-75 Hz   | H: 24 kHz-83 kHz / V: 50 Hz-75 Hz   | H: 24 kHz-83 kHz / V: 50 Hz-75 Hz   | H: 24 kHz-83 kHz / V: 50 Hz-75 Hz   | H: 24 kHz-83 kHz / V: 50 Hz-75 Hz   | 30 kHz-83 KHz / 56 Hz-75 Hz                     | 30 kHz-83 KHz / 56 Hz-75 Hz                     | 30 kHz-83 KHz / 56 Hz-75 Hz                     |
| Input                                   | DisplayPort, HDMI 1.4, DVI, VGA, Audio (3.5 mm)                                   | DisplayPort, HDMI 1.4, DVI, VGA, Audio (3.5 mm)                                   | DisplayPort, HDMI 1.4, DVI, VGA, Audio (3.5 mm)                                   | DisplayPort, HDMI 1.4, DVI, VGA, Audio (3.5 mm)                                   | DisplayPort, HDMI 1.4, DVI, VGA, Audio (3.5 mm)                                   | DisplayPort 1.2, HDMI 1.3, VGA, Audio (3.5 mm)  | DisplayPort 1.2, HDMI 1.3, VGA, Audio (3.5 mm)  | DisplayPort 1.2, HDMI 1.3, VGA, Audio (3.5 mm)  |
| Output                                  | -   | -   | -   | -   | -   | Audio (3.5 mm)                                  | Audio (3.5 mm)                                  | Audio (3.5 mm)                                  |
| Built-in Speakers                       | 2W x 2  | 2W x 2  | 2W x 2  | 2W x 2  | 2W x 2  | 2W x 2  | 2W x 2  | 2W x 2  |
| Product Dimension With Base (W x H x D) | 562.4 x 396.8 x 155.0 mm (22.1" x 15.6" x 6.1")                                   | 513.2 x 368.5 x 155.0 mm (20.2" x 14.5" x 6.1")                                   | 445.0 x 420.2 x 175.0 mm (17.5" x 16.5" x 6.9")                                   | 409.4 x 398.2 x 175.0 mm (16.1" x 15.7" x 6.9")                                   | 380.0 x 359.0 x 155.0 mm (15.0" x 14.1" x 6.1")                                   | 612.0 x 452.0 x 226.0 mm (24.1" x 17.8" x 8.9") | 550.0 x 433.0 x 226.0 mm (21.7" x 17.0" x 8.9") | 511.0 x 377.0 x 183.0 mm (20.1" x 14.8" x 7.2") |
| Product Weight                          | 7.8 kg (17.2 lb)  | 6.7 kg (14.7 lb)  | 6.8 kg (15.0 lb)  | 6.0 kg (13.2 lb)  | 4.6 kg (10.1 lb)  | 4.3 kg (9.5 lb)                                 | 3.5 kg (7.7 lb)                                 | 3.4 kg (7.5 lb)                                 |
| VESA Arm/Wall Mounting                  | 100 x 100 mm & 75 x 75 mm   | 100 x 100 mm & 75 x 75 mm   | 100 x 100 mm & 75 x 75 mm   | 100 x 100 mm & 75 x 75 mm   | 100 x 100 mm & 75 x 75 mm   | 100 x 100 mm                                    | 100 x 100 mm                                    | 100 x 100 mm                                    |
| Glass Type                              | NeoV™ Optical Glass   | NeoV™ Optical Glass   | NeoV™ Optical Glass   | NeoV™ Optical Glass   | NeoV™ Optical Glass   | -   | -   | -   |
| Features                                | Gamma Selection, Black-level Adjustment, EcoSmart Sensor, Alink, Front-sided IP22 | Gamma Selection, Black-level Adjustment, EcoSmart Sensor, Alink, Front-sided IP22 | Gamma Selection, Black-level Adjustment, EcoSmart Sensor, Alink, Front-sided IP22 | Gamma Selection, Black-level Adjustment, EcoSmart Sensor, Alink, Front-sided IP22 | Gamma Selection, Black-level Adjustment, EcoSmart Sensor, Alink, Front-sided IP22 | Blue-light Filter, Flicker Free                 | Blue-light Filter, Flicker Free                 | Blue-light Filter, Flicker Free                 |
| Remarks                                 | Available in black and white  | Available in black and white  | Available in black and white  | Available in black and white  | Available in black and white  | -   | -   | -   |

## LH-Series



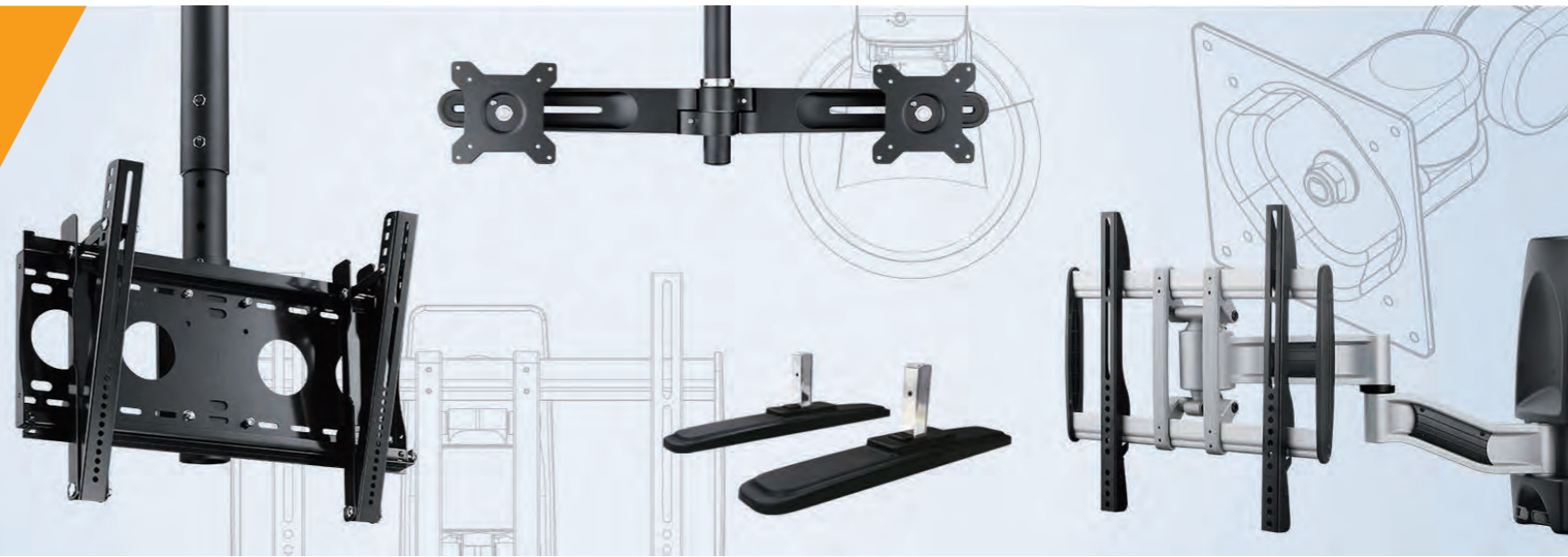
## FS-Series



| Specifications                          | LH-27 VA   | LH-24 IPS  | LH-22  | FS-27 VA   | FS-24 IPS  |
|---|--|--|--|--|--|
| TFT Panel Size                          | 27.0"  | 23.8"  | 21.5"  | 27.0"  | 23.8"  |
| Max. Resolution                         | FHD 1920 x 1080                                    | FHD 1920 x 1080                                    | FHD 1920 x 1080                                    | FHD 1920 x 1080                                    | FHD 1920 x 1080                                    |
| Brightness                              | 330 cd/m <sup>2</sup>                              | 270 cd/m <sup>2</sup>                              | 300 cd/m <sup>2</sup>                              | 300 cd/m <sup>2</sup>                              | 250 cd/m <sup>2</sup>                              |
| Contrast Ratio                          | 20,000,000:1 (DCR)                                 | 20,000,000:1 (DCR)                                 | 20,000,000:1 (DCR)                                 | 20,000,000:1 (DCR)                                 | 20,000,000:1 (DCR)                                 |
| Viewing Angle (H/V)                     | 178°/178°  | 178°/178°  | 170°/160°  | 178°/178°  | 178°/178°  |
| Display Colour                          | 16.7M  | 16.7M  | 16.7M  | 16.7M  | 16.7M  |
| Response Time                           | 5 ms   | 5 ms   | 3 ms   | 5 ms   | 5 ms   |
| Frequency (H/V)                         | 30 kHz-83 KHz / 56 Hz-75 Hz                        | 30 kHz-83 KHz / 56 Hz-75 Hz                        | 30 kHz-83 KHz / 56 Hz-75 Hz                        | 30 kHz-83 KHz / 50 Hz-76 Hz                        | 30 kHz-83 KHz / 56 Hz-76 Hz                        |
| Input                                   | DisplayPort 1.2, HDMI 1.3, VGA, Audio (3.5 mm)     | DisplayPort 1.2, HDMI 1.3, VGA, Audio (3.5 mm)     | DisplayPort 1.2, HDMI 1.3, VGA, Audio (3.5 mm)     | DisplayPort, HDMI 1.4, VGA, Audio (3.5 mm)         | DisplayPort, HDMI 1.4, VGA, Audio (3.5 mm)         |
| Output                                  | Audio (3.5 mm)                                     | Audio (3.5 mm)                                     | Audio (3.5 mm)                                     | -  | -  |
| Built-in Speakers                       | 2W x 2   | 2W x 2   | 2W x 2   | 2W x 2   | 2W x 2   |
| Product Dimension With Base (W x H x D) | 642.0 x 515.0 x 243.0 mm<br>(25.3" x 20.3" x 9.6") | 566.0 x 505.0 x 204.0 mm<br>(22.3" x 19.9" x 8.0") | 505.6 x 462.0 x 204.0 mm<br>(19.9" x 21.7" x 8.0") | 611.9 x 518.7 x 249.0 mm<br>(24.1" x 20.4" x 9.8") | 540.6 x 498.6 x 249.0 mm<br>(21.3" x 19.6" x 9.8") |
| Product Weight                          | 6.1 (13.4 lb)                                      | 4.7 kg (10.4 lb)                                   | 4.6 kg (10.3 lb)                                   | 6.6 kg (14.5 lb)                                   | 5.7 kg (12.5 lb)                                   |
| VESA Arm/Wall Mounting                  | 100 x 100 mm                                       | 100 x 100 mm                                       | 100 x 100 mm                                       | 100 x 100 mm                                       | 100 x 100 mm                                       |
| Glass Type                              | -  | -  | -  | -  | -  |
| Features                                | Blue-light Filter, Flicker Free                    | Blue-light Filter, Flicker Free                    | Blue-light Filter, Flicker Free                    | Blue-light Filter, Flicker Free                    | Blue-light Filter, Flicker Free                    |
| Remarks                                 | -  | -  | -  | -  | -  |

# Display Mounts & Enclosures

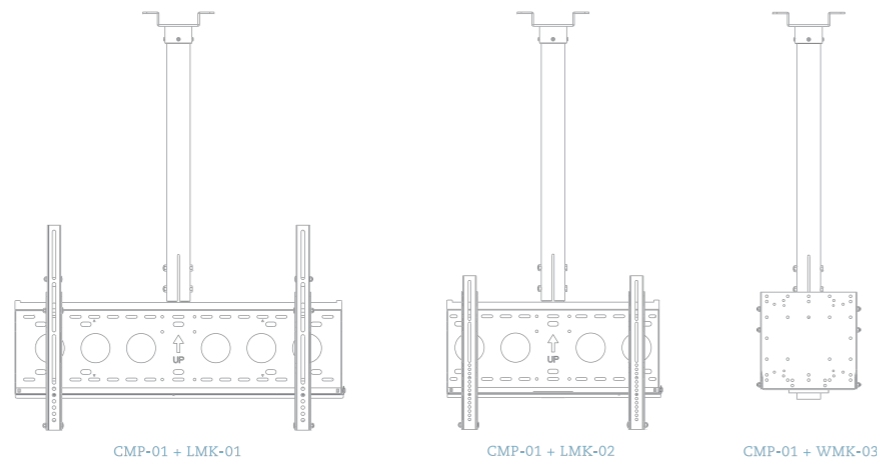
Installation methods and display accessories play an important role for display deployments in the application locations. Suppliers need to offer various mounting devices so that users can easily find the suitable solutions that meet their requirements. All related accessories are also needed to be available to increase user's application efficiency and performance.



## Ceiling Mounts



|            |                     | CMP-01+ LMK-01   | CMP-01+LMK-02  | CMP-01+WMK-03  |
|------------|---------------------|--|--|--|
| Mounting   | VESA Standard       | Max. 725.0 x 450.0 mm  | Max. 440 x 330 mm  | 100 x 100 mm / 200 x 100 mm / 200 x 200 mm   |
| Loading    | Weight Capacity     | 60.0 kg (132.3 lb) Per side  | 60.0 kg (132.3 lb) Per side  | 60.0 kg (132.3 lb) Per side  |
| Adjustment | Swivel              | 360°   | 360°   | 360°   |
|            | Height              | 924.0-1424.0 mm (36.4"-56.1")  | 924.0-1424.0 mm (36.4"-56.1")  | 924.0-1424.0 mm (36.4"-56.1")  |
| Exterior   | Material            | Steel  | Steel  | Steel  |
|            | Colour              | Black  | Black  | Black  |
| Dimensions | Net (W x H x D)     | 788.0 x 1,424.0 x 401.0 mm (31.0" x 56.1" x 15.7")   | 508.0 x 1,424.0 x 338.0 mm (20.0" x 56.1" x 13.3")   | 248.0 x 1,424.0 x 216.0 mm (9.8" x 56.1" x 8.6")   |
|            | Packing (W x H x D) | CMP-01 Box : 975.0 x 270.0 x 229.0 mm (38.4" x 10.6" x 9.0")<br>LMK-01 Box : 836.0 x 245.0 x 54.0 mm (32.9" x 9.7" x 2.1") | CMP-01 Box : 975.0 x 270.0 x 229.0 mm (38.4" x 10.6" x 9.0")<br>LMK-02 Box : 556.0 x 245.0 x 54.0 mm (21.9" x 9.6" x 2.1") | CMP-01 Box : 975.0 x 270.0 x 229.0 mm (38.4" x 10.6" x 9.0")<br>WMK-03 Box : 244.0 x 267.0 x 54.0 mm (9.6" x 10.5" x 2.1") |
| Weight     | Net Weight          | 11.9 kg (24.9 lb)  | 10.6 kg (23.4 lb)  | 9.0 kg (19.8 lb)   |
|            | Gross Weight        | 13.7kg (30.2 lb)   | 12.1 kg (26.8 lb)  | 10.1 kg (22.3lb)   |



## Video Wall Mounts



|            |                     | VWM-01   | VWM-02   |
|------------|---------------------|--|--|
| Mounting   | VESA Standard       | Max. 400 x 400 mm                              | Max. 400 x 400 mm  |
| Loading    | Weight Capacity     | 80.0 kg (176.4 lb)                             | 80.0 kg (176.4 lb)   |
| Adjustment | Up                  | 3.25 mm  | 3.25 mm  |
|            | Down                | 3.25 mm  | 3.25 mm  |
|            | Left                | 15.0 mm  | 24.5 mm  |
|            | Right               | 15.0 mm  | 24.5 mm  |
| Exterior   | Material            | Steel and Aluminium                            | Steel and Aluminium  |
|            | Colour              | Black and Silver                               | Black and Silver   |
| Dimensions | Net (W x H x D)     | 500.0 x 526.0 x 93.0 mm (19.7" x 20.7" x 3.7") | 500.0 x 532.0 x 93.0-293.0 mm (19.7" x 20.9" x 3.7"-11.5") |
|            | Packing (W x H x D) | 560.0 x 90.0 x 250.0 mm (22.0" x 3.5" x 9.8")  | 560.0 x 90.0 x 250.0 mm (22.0" x 3.5" x 9.8")              |
| Weight     | Net Weight          | 4.5 kg (9.92 lb)                               | 7.3 kg (116.1 lb)  |
|            | Gross Weight        | 5.5 kg (12.0 lb)                               | -  |

## Video Wall Accessories



|            |                 | VWA-01  | VWA-04                                     |
|------------|-----------------|---|--|
| Mounting   | VESA Standard   | Depend on AG Neovo display mount kits         | Depend on AG Neovo display mount kits      |
| Loading    | Weight Capacity | 80.0 kg (176.4 lb)                            | 80.0 kg (176.4 lb)                         |
| Exterior   | Material        | Aluminium                                     | Metal                                      |
|            | Colour          | Silver  | Black and Silver                           |
| Dimensions | Net (L x H x D) | 2000.0 x 60.0 x 40.0 mm (78.7" x 2.4" x 1.6") | 40.0 x 40.0 x 40.0 mm (1.6" x 1.6" x 1.6") |
| Weight     | Net Weight      | 750.0 g (1.7 lb)                              | 80.0 g (0.2 lb)                            |

## Wall Mounts



|            |                       | LMA-01  | WMA-01  |
|------------|-----------------------|---|---|
| Mounting   | VESA Standard         | Max. 400 x 400 mm                               | 75 x 75 mm / 100 x 100 mm / 200 x 100 mm / 200 x 200 mm |
| Loading    | Weight Capacity       | 35.0 kg (77.2 lb)                               | 25.0 kg (55.1 lb)                                       |
| Adjustment | Swivel                | -90° to 90°                                     | -90° to 90°   |
|            | Tilt                  | -15° to 15°                                     | -15° to 15°   |
| Extension  | Max. Distance to Wall | 562.0 mm (22.1")                                | 469.0 mm (18.5")  |
|            | Min. Distance to Wall | 105.0 mm (4.1")                                 | 70.0 mm (2.8")  |
| Exterior   | Material              | Steel, Aluminium alloy, Plastic                 | Steel, Aluminium alloy, Plastic                         |
|            | Colour                | Black & Silver                                  | Black & Silver  |
| Dimensions | Net (W x H x D)       | 500.0 x 450.0 x 105.0 mm (19.7" x 17.7" x 4.1") | 345.0 x 285.0 x 469.0 mm (13.6" x 11.2" x 18.5")        |
|            | Packing (W x H x D)   | 624.0 x 124.0 x 460.0 mm (24.6" x 4.9" x 18.1") | 347.0 x 98.0 x 327.0 mm (13.7" x 3.9" x 12.9")          |
| Weight     | Net Weight            | 7.8 kg (17.2 lb)                                | 3.1 kg (6.9 lb)   |
|            | Gross Weight          | 9.3 kg (20.4 lb)                                | 3.9 kg (8.5 lb)   |



|            |                     | WMK-03  | WMK-01                                       | PMK-01  |
|------------|---------------------|---|--|---|
| Mounting   | VESA Standard       | 100 x 100 mm / 200 x 100 mm / 200 x 200 mm    | 75 x 75 mm / 100 x 100 mm                    | 75 x 75 mm / 100 x 100 mm                     |
| Loading    | Weight Capacity     | 60.0 kg (132.3 lb)                            | 18.0 kg (40.0 lb)                            | 14.0 kg (30.9 lb)                             |
| Adjustment | Rotation            | -   | -  | 270°  |
|            | Swivel              | -   | -  | -90° to 90°                                   |
|            | Tilt                | -15° to 0°                                    | -  | -90° to 90°                                   |
| Exterior   | Material            | Steel   | Steel  | Steel and die-cast aluminium                  |
|            | Colour              | Black   | Black  | Black   |
| Dimensions | Net (W x H x D)     | 248.0 x 230.0 x 45.0 mm (9.8" x 9.1" x 1.8")  | 130.0 x 140.0 x 20.0 mm (5.1" x 5.5" x 0.8") | 115.0 x 115.0 x 131.0 mm (4.5" x 4.5" x 5.2") |
|            | Packing (W x H x D) | 244.0 x 55.0 x 267.0 mm (9.6" x 2.1" x 10.5") | 135.0 x 175.0 x 27.0 mm (5.3" x 6.9" x 1.1") | 120.0 x 120.0 x 145.0 mm (4.8" x 4.8" x 5.7") |
| Weight     | Net Weight          | 2.2 kg (4.9 lb)                               | 0.36 kg (0.79 lb)                            | 1.5 kg (3.3 lb)                               |
|            | Gross Weight        | 2.3 kg (5.1 lb)                               | 0.42 kg (0.93 lb)                            | 1.6 kg (3.5 lb)                               |



|            |                     | LMK-01   | LMK-02   | LMK-03   |
|------------|---------------------|--|--|--|
| Mounting   | VESA Standard       | Max. 725 x 450 mm                              | Max. 440 x 330 mm                              | Max. 800 x 500 mm                                |
| Loading    | Weight Capacity     | 80.0 kg (176.4 lb)                             | 80.0 kg (176.4 lb)                             | 100.0 kg (220 lb)                                |
|            | Tilt                | -15° to 0°                                     | -15° to 0°                                     | -15° to 15°                                      |
| Exterior   | Material            | Steel  | Steel  | Steel  |
|            | Colour              | Black  | Black  | Black  |
| Dimensions | Net (W x H x D)     | 788.0 x 490.0 x 48.0 mm (31.0" x 19.3" x 1.9") | 508.0 x 368.0 x 48.0 mm (20.0" x 14.5" x 1.9") | 840.0 x 574.0 x 75.0 mm (33.1" x 22.6" x 3.0")   |
|            | Packing (W x H x D) | 836.0 x 245.0 x 54.0 mm (32.9" x 9.6" x 2.1")  | 556.0 x 245.0 x 54.0 mm (21.9" x 9.7" x 2.1")  | 854.0 x 289.0 x 274.0 mm (33.6" x 11.4" x 10.8") |
| Weight     | Net Weight          | 5.1 kg (11.2 lb)                               | 3.8 kg (8.3 lb)                                | 4.4 kg (9.6 lb)                                  |
|            | Gross Weight        | 5.9 kg (13.0 lb)                               | 4.4 kg (9.6 lb)                                | 5.1 kg (11.3 lb)                                 |

## Desk Mounts



|            |                     | ES-02  | DMS-01D   | DMS-01Q   |
|------------|---------------------|--|---|---|
| Mounting   | VESA Standard       | 75 x 75 mm / 100 x 100 mm                      | 75 x 75 mm / 100 x 100 mm                       | 75 x 75 mm / 100 x 100 mm                       |
| Loading    | Weight Capacity     | 2.0–8.0 kg (4.4–17.6 lb)                       | 12.0 kg (26.5 lb) per hinge                     | 8.0 kg (17.6 lb) per hinge                      |
| Adjustment | Rotation            | 90° (Landscape/Portrait)                       | 360° (Default: 90°)                             | 360° (Default: 90°)                             |
|            | Swivel              | 360°   | -20° to 20° per hinge                           | -20° to 20° per hinge                           |
|            | Tilt                | -5° to 25°                                     | -20° to 20° per hinge                           | -20° to 20° per hinge                           |
|            | Lift                | -  | -   | -   |
| Exterior   | Material            | Plastic  | Steel, Aluminium alloy, Plastic                 | Steel, Aluminium alloy, Plastic                 |
|            | Colour              | Black  | Black & Silver                                  | Black & Silver                                  |
| Dimensions | Net (W x H x D)     | 222.0 x 432.0 x 252.0 mm (8.7" x 17.0" x 9.9") | 672.0 x 370.0 x 240.0 mm (26.5" x 18.5" x 5.7") | 672.0 x 730.0 x 240.0 mm (26.5" x 28.7" x 9.4") |
|            | Packing (W x H x D) | 260.0 x 95.0 x 460.0 mm (10.2" x 3.7" x 18.1") | 474.0 x 95.0 x 273.0 mm (18.7" x 3.7" x 10.7")  | 458.0 x 205.0 x 277.0 mm (18.0" x 8.1" x 10.9") |
| Weight     | Net Weight          | 3.1 kg (6.8 lb)                                | 3.1 kg (6.8 lb)                                 | 6.3 Kg (13.9 lb )                               |
|            | Gross Weight        | 3.6 kg (7.9 lb)                                | 3.6 kg (8.0 lb)                                 | 6.8 kg (14.9 lb)                                |



|                               |                     | DMC-01  | DMC-02D   |
|-------------------------------|---------------------|---|---|
| Mounting                      | VESA Standard       | 75 x 75 mm / 100 x 100 mm                       | 75 x 75 mm / 100 x 100 mm                       |
| Loading                       | Weight Capacity     | 10.0 kg (22.0 lb)                               | 12.0 kg (26.5 lb) per hinge                     |
| Adjustment (Mounting Bracket) | Rotation            | 360°  | 360° (Default: 90°)                             |
|                               | Swivel              | -90° to 90°                                     | -20° to 20° per hinge                           |
|                               | Tilt                | -20° to 90°                                     | -20° to 20° per hinge                           |
| Adjustment (Arm)              | Lift                | 315.0 mm of Increment (-30° - 65°)              | -   |
|                               | Swivel              | 360°  | -   |
| Exterior                      | Material            | Steel, Aluminium alloy, Plastic                 | Steel, Aluminium alloy, Plastic                 |
|                               | Colour              | Black & Silver                                  | Black   |
| Dimensions                    | Net (W x H x D)     | 620.0 x 656.0 x 158.0 mm (24.4" x 25.8" x 6.2") | 672.0 x 470.0 x 144.0 mm (26.5" x 18.5" x 5.7") |
|                               | Packing (W x H x D) | 463.0 x 143.0 x 218.0 mm (18.2" x 5.6" x 8.6")  | 602.0 x 143.0 x 218.0 mm (23.7" x 5.6" x 8.6")  |
| Weight                        | Net Weight          | 3.0 kg (6.6 lb)                                 | 3.8 kg (8.3 lb)                                 |
|                               | Gross Weight        | 3.9 kg (8.6 lb)                                 | 4.0 kg (8.9 lb)                                 |

## Handles



|                   |                     | HDL-01                                       | HDL-02                                       |
|-------------------|---------------------|--|--|
| Compatible Models | Displays            | DR-17 / DR-17P / DR-17E                      | DR-22 / DR-22E / MX-22 / MX-24               |
| Exterior          | Material            | Metal  | Metal  |
|                   | Colour              | White  | White  |
| Dimensions        | Net (W x H x D)     | 295.0 x 58.0 x 27.5 mm (11.6" x 2.3" x 1.1") | 295.0 x 63.5 x 22.0 mm (11.6" x 2.5" x 0.9") |
|                   | Packing (W x H x D) | 320.0 x 75.0 x 40.0 mm (12.6" x 3.0" x 1.6") | 320.0 x 75.0 x 40.0 mm (12.6" x 3.0" x 1.6") |
| Weight            | Net Weight          | 0.4 kg (0.8 lb)                              | 0.4 kg (0.8 lb)                              |
|                   | Gross Weight        | 0.5 kg (0.9 lb)                              | 0.5 kg (0.9 lb)                              |



## Floor Mounts



|            |                            | FMS-01  | FMS-02  |
|------------|----------------------------|---|---|
| Mounting   | Display                    | Max. 65" Displays                                 | Max. 65" Displays                                 |
|            | VESA Standard              | Max. 400 x 400 mm                                 | Max. 400 x 400 mm                                 |
| Loading    | Weight Capacity            | 30.0 kg (66.1 lb)                                 | 30.0 kg (66.1 lb)                                 |
| Adjustment | Tilt                       | -   | -   |
|            | Lift (Max. centre display) | 1835.0 mm (72.2")                                 | 1826.0 mm (71.9")                                 |
| Exterior   | Material                   | Steel and Aluminium                               | Steel and Aluminium                               |
|            | Colour                     | Dark grey and Silver                              | Dark grey and Silver                              |
| Dimensions | Net (W x H x D)            | 725.0 x 1911.0 x 480.0 mm (28.6" x 75.2" x 18.9") | 725.0 x 1924.0 x 480.0 mm (28.5" x 75.7" x 18.9") |
|            | Packing (W x H x D)        | 525.0 x 1,950.0 x 160.0 mm (20.7" x 76.8" x 6.3") | 480.0 x 1060.0 x 160.0 mm (20.5" x 43.0" x 70.9") |
| Weight     | Net Weight                 | 26.0 kg (57.3 lb)                                 | 26.0 kg (57.3 lb)                                 |
|            | Gross Weight               | 32.0 kg (70.5 lb)                                 | 36.0 Kg (79.4 lb)                                 |



|            |                            | FMC-02   | FMC-03 + LMK-04  | FMC-04 + LMK-04  |
|------------|----------------------------|--|--|--|
| Mounting   | Display                    | 32" - 65" Displays                                   | 46" - 90" Displays   | 46" - 98" Displays   |
|            | VESA Standard              | Max. 400 x 400 mm                                    | Max. 800 x 600 mm  | Max. 800 x 600 mm  |
| Loading    | Weight Capacity            | 30.0 kg (66.1 lb)                                    | 85.0 kg (187.4 lb)   | 125 kg (275.6 lb)  |
| Adjustment | Tilt                       | -  | -  | -  |
|            | Lift (Max. centre display) | 1826.0 mm (71.9")<br>(max. centre display)           | 1,818 mm (71.6")<br>(max. centre display)  | 1810 mm (71.3")<br>(max. centre display)   |
| Exterior   | Material                   | Steel and Aluminium                                  | Aluminium  | Aluminium  |
|            | Colour                     | Dark grey and Silver                                 | Dark grey and Silver   | Dark grey and Silver   |
| Dimensions | Net (W x H x D)            | 973.0 x 1896.0 x 641.0 mm<br>(38.3" x 74.6" x 25.2") | 1100.0 x 2133.0 x 662.5 mm<br>(43.3" x 84.0" x 26.1")  | 1400.0 x 2125.0 x 800.0 mm<br>(55.1" x 83.7" x 31.5")  |
|            | Packing (W x H x D)        | 680.0 x 1,860.0 x 180.0 mm<br>(26.8" x 73.2" x 7.1") | FMC-03 Box : 1,200.0 x 2,050.0 x 800.0 mm<br>(47.2" x 80.7" x 31.5")<br>LMK-04 Box : 930.0 x 280.0 x 80.0 mm<br>(36.6" x 11.0" x 3.1") | FMC-04 Box : 1,550.0 x 2,100.0 x 860.0 mm<br>(61.0" x 82.7" x 33.9")<br>LMK-04 Box : 930.0 x 280.0 x 80.0 mm<br>(36.6" x 11.0" x 3.1") |
| Weight     | Net Weight                 | 21.5 kg (47.4 lb)                                    | 68.8 kg (151.7 lb)   | 76.7 kg (169.1 lb)   |
|            | Gross Weight               | 25.0 kg (55.1 lb)                                    | 90.7 kg (200.0 lb)   | 95.7 kg (211.0 lb)   |

## Stands



|                   |                     | STD-02A   | STD-03A   | STD-04  | STD-05   |
|-------------------|---------------------|---|---|---|--|
| Compatible Models | Displays            | HX-32 / QX-32 / RX-32 / TX-32                             | HX-42 / RX-42 / QX-43 / QX-55 / TX-42 / TX-32P / TX-42P     | PD-42 / PD-49 / PD-55 / PN-46 / RX-42E / RX-55E / HX-42E / HX-55E | PN-46D / PN-55D / PN-55H / PS-46 / PS-55                   |
| Exterior          | Material            | Metal   | Metal   | Metal & Plastic   | Metal & Plastic  |
|                   | Colour              | Black   | Black   | Black   | Black  |
| Dimensions        | Net (W x H x D)     | 193.0 x 137.2 x 82.0 mm<br>(7.6" x 5.4" x 3.2") Per Piece | 320.0 x 219.7 x 118.8 mm<br>(12.5" x 8.7" x 4.7") Per Piece | 330.0 x 126.0 x 75.0 mm<br>(13.0" x 5.0" x 3.0") Per Piece        | 400.0 x 127.0 x 65.0 mm<br>(12.5" x 5.0" x 2.6") Per Piece |
|                   | Packing (W x H x D) | 230.0 x 206.0 x 103 mm<br>(9.1" x 8.1" x 4.1")            | 333.0 x 291.0 x 139.0 mm<br>(13.1" x 11.5" x 5.5")          | 398.0 x 244.0 x 124.0 mm<br>(15.7" x 8.8" x 4.9")                 | 446.0 x 221.0 x 177.0 mm<br>(17.6" x 8.7" x 7.0")          |
| Weight            | Net Weight          | 0.6 kg (1.3 lb)   | 1.3 kg (2.8 lb)   | 1.7 kg (3.7 lb)   | 2.1 kg (4.6 lb)  |
|                   | Gross Weight        | 1.3 kg (2.8 lb)   | 2.3 kg (5.1 lb)   | 2.1 kg (4.6 lb)   | 2.6 kg (5.7 lb)  |



|                   |                     | STD-06   | STD-07  | STD-08  | STD-09  |
|-------------------|---------------------|--|---|---|---|
| Compatible Models | Displays            | PM-32  | PM-43 / PM-48 / PM-55 / QM-43 / QM-55 / QM-43A / QM-55A   | PM-65 / PM-65P / QM-65 / QM-65A                             | RX-32E / HX-32E   |
| Exterior          | Material            | Metal & Plastic  | Metal & Plastic   | Metal & Plastic   | Metal & Plastic   |
|                   | Colour              | Black  | Black   | Black   | Black   |
| Dimensions        | Net (W x H x D)     | 240.0 x 113.0 x 60.0 mm<br>(9.4" x 4.4" x 2.4") Per Piece<br>23.1 x 97.8 x 64.0 mm<br>(0.9" x 4.4" x 2.4") Per Piece | 330.0 x 126.0 x 75.0 mm<br>(13.0" x 5.0" x 3.0") Per Piece<br>23.1 x 97.8 x 64.0 mm<br>(0.9" x 4.4" x 2.4") Per Piece | 400.0 x 726.0 x 65.0 mm<br>(15.7" x 28.6" x 2.6") Per Piece | 240.0 x 113.0 x 60.0 mm<br>(9.4" x 4.4" x 2.4") Per Piece |
|                   | Packing (W x H x D) | 290.0 x 90.0 x 93.0 mm<br>(11.4" x 3.5" x 3.7")  | 398.0 x 244.0 x 124.0 mm<br>(15.7" x 8.8" x 4.9")   | 776.0 x 321.0 x 155.0 mm<br>(30.6" x 12.6" x 6.1")          | 290.0 x 90.0 x 93.0 mm<br>(11.4" x 3.5" x 3.7")           |
| Weight            | Net Weight          | 1.5 kg (3.3 lb)  | 1.9 kg (4.2 lb)   | 5.0 kg (11.0 lb)  | 1.3 kg (2.8 lb)   |
|                   | Gross Weight        | 1.7 kg (3.7 lb)  | 2.3 kg (5.1 lb)   | 6.0 kg (13.2 lb)  | 1.5 kg (3.3 lb)   |

## Display Enclosure



### LOC-55

|             |                             |   |
|-------------|-----------------------------|---|
| Loading     | Applicable Sizes            | 55", depth max. 120 mm  |
|             | Power                       |   |
| Power       | Power Supply                | 230V AC/ 50Hz   |
|             | Power Consumption           | min. 25W - max. 500W (without display and PC)                       |
| Temperature | Control                     | Industrial fans, heating module x 2, temperature control sensor x 2 |
|             | Operating Temperature       | -20° to 40°C  |
| Exterior    | Enclosure                   | Steel   |
|             | Glass                       | 6,4 mm laminated safety glass, Anti-reflective                      |
|             | Protection Class/ IP Rating | IP65 (Front), IP54 (Back), NEMA 4                                   |
|             | Doors                       | Lock x 2, 4 keys  |
|             | Colour                      | Anthracite, DB 703 fine structure                                   |
| Dimension   | Net (WxHxD)                 | 1410.0 x 881.0 x 200.0 mm (55.5" x 34.6" x 7.9")                    |
|             | Packaging (WxHxD)           | 1460.0 x 931.0 x 250.0 mm (57.5" x 36.7" x 9.8")                    |
| Weight      | Net Weight                  | 62.0 kg (136.7 lb)  |
|             | Gross Weight                | 69.0 kg (152.1 lb)  |
| Accessory   | Optional                    | Stand (LOF-55)  |

## Video Extenders



### HIP-Series

|                         |  |                   |
|-------------------------|--|-------------------|
| Units                   | HIP-TA   | HIP-RA            |
| Unit Description        | HDMI 1.3 Transmitter   | HDMI 1.3 Receiver |
| HDMI Compliance         | HDMI 1.3c  |                   |
| HDCP Compliance         | Yes  |                   |
| Video Bandwidth         | M-JPEG technology to process image compressing<br>GIGABIT (10/1000) over LAN   |                   |
| Video Resolutions       | 480i / 480p / 720p / 1080i / 1080p60   |                   |
| HDMI Transmission Range | Full HD: (1080p)-100 m (330 feet) (CAT5e) / 120 m (365 feet) (CAT6)HD: (720p/1080i)-100 m (330 feet) (CAT5e) / 120 m (365 feet) (CAT6) |                   |
| Audio Support           | Surround Sound (up to 7.1 ch) or Stereo Digital Audio  |                   |
| ESD Protection          | [1] Human body model — ±15kV [air-gap discharge] & ±8kV [contact discharge]<br>[2] Core chipset — ±8kV                                 |                   |
| Input                   | 1 x RJ45 / 1 x HDMI  |                   |
| Output                  | 1 x RJ45 / 1 x HDMI  |                   |
| Dimensions (L x W x H)  | 110.0 x 58.0 x 26.0 mm (4.3" x 2.2" x 1.0")  |                   |
| Weight                  | 245.0 g  |                   |
| Power Supply            | 2 x DC 5V/1A   |                   |
| Power Consumption       | 3W Max Each  |                   |
| Operating Temperature   | 0° to 40°C (32° to 104°F)  |                   |
| Storage Temperature     | -20° to 60°C (-4° to 140°F)  |                   |
| Relative Humidity       | 20-90% RH (no condensation)  |                   |

**Global Headquarters**

Taipei, Taiwan

**EMEA Regional Headquarters**

Capelle a/d IJssel, The Netherlands

**North & South America Regional Headquarters**

San Jose, CA, U.S.A.

**Asia-Pacific Regional Headquarters**

Taipei, Taiwan

**Canada Sales Office**

Vancouver, B.C., Canada

**China Sales Office**

Shanghai, China

**Czech Republic Sales Office**

Brno, Czech Republic

**Denmark Sales Office**

Støvring, Denmark

**Germany Sales Office**

Mechernich, Germany

**Italy Sales Office**

Livorno, Italy

**Poland Sales Office**

Warsaw, Poland

**Spain Sales Office**

Barcelona, Spain

**Ukraine Sales Office**

Lviv, Ukraine

[displays.agneovo.com](http://displays.agneovo.com)