



Schroff®
MAIN CATALOG

Systems

- Overview 0
- Cabinets 1
- Wall mounted cases 2
- Accessories for cabinets and wall mounted cases 3
- Climate control 4
- Desk-top cases 5
- Subracks/ 19" chassis . . . 6
- Front panels, plug-in units . . 7
- Systems 8**
- Power supply units 9
- Backplanes . . 10
- Connectors, front panel component system 11
- Appendix 12

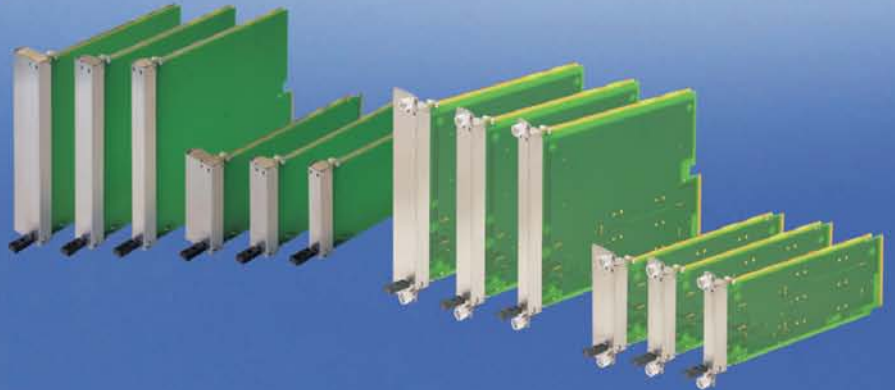
Advanced TCA



Advanced MC™



Open Modular Computing Specifications



μTCA™



CompactPCI

**CompactPCI Serial,
CompactPCI PlusIO,
PSB**



Open Modular
Computing Specifications

VME, VME64x, VXS, VPX



Overview 8.0

AdvancedTCA
systems 8.2

AdvancedMC
carriers 8.26

MicroTCA 8.36

AdvancedMC
modules 8.56

CompactPCI... 8.68

VME-, VME64x-,
VXS-, VPX-bus . 8.88

System
accessories

Backplanes/
bridges 10.0

Guide rails 6.38

Plug-in units
with extractor
handle 7.18

Air baffles 6.61

Mezzanine
front panels ... 7.12

Fan Control
Modules (FCM) 8.106

Chassis
monitoring
modules

(CMM) 8.107

19" power
supplies 9.0

Equipment
cables 3.38

Drive unit
modules 8.108

- Overview 0
- Cabinets 1
- Wall mounted cases 2
- Accessories for cabinets and wall mounted cases 3
- Climate control 4
- Desk-top cases 5
- Subracks/ 19" chassis ... 6
- Front panels, plug-in units .. 7
- Systems 8**
- Power supply units 9
- Backplanes .. 10
- Connectors, front panel component system 11
- Appendix 12

Systems - AdvancedTCA



12707010

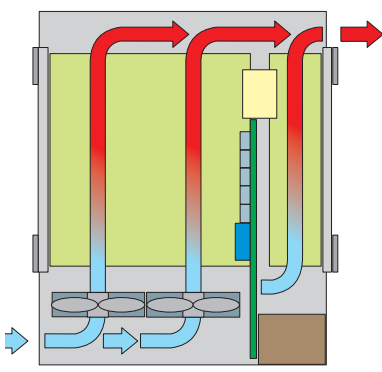
Everything a system needs.
Schroff's AdvancedTCA systems make the development of new, forward-looking tele-communications installations with high data-processing rates as simple for you as possible.

We offer everything on the basis of the AdvancedTCA specification that you have come to expect from a Schroff complete system

Excellent mechanics, optimised cooling, reliable power supply, efficient data distribution and secure system management.

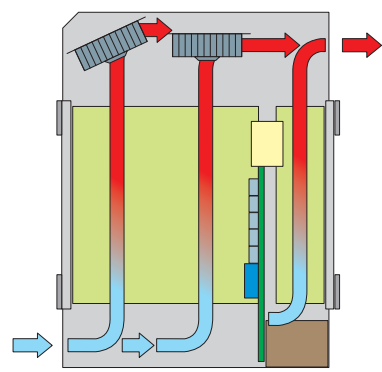
But that is not all:
As a matter of course, our complete systems are also available in shock and vibration-resistant versions with UL certification.

- With Schroff, AdvancedTCA means matured products and wide ranges of options:
- Dimensions from 2 to 14 U
 - 2 to 16 slot installations
 - Cooling concepts (push, pull, push-pull)
 - Backplane topologies (dual star, full mesh)
 - Shelf manager based on Pigeon Point technology



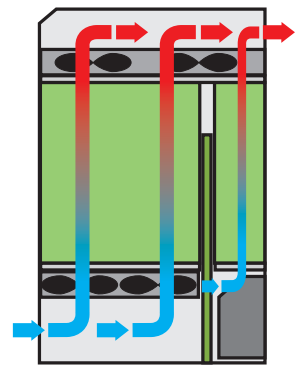
12706053

Push cooling
The fans are situated near the air inlet and push the air through the system.



12706055

Pull cooling
The fans are situated near the air outlet and suck the air through the system.



12606007

Push-Pull
The fans are situated below and above the board cage for maximum airflow and optimal redundancy.

Downloads and further important information can be found on the Internet under www.a-tca.com and www.schroff.biz

Systems and components available world-wide

- Very wide product range with regard to dimensions, number of slots, cooling designs, backplane topologies and shelf managers; all completely assembled and tested
- NEBS ready, UL recognized
- For mounting in ETSI, 19" or 23" cabinets
- Cooling up to 400 W per board



AdvancedTCA systems

- 2 ... 14 U; 2 ... 16 slot
- Backplane with dual star, full mesh topology, 15-fold connected fabric interface with hub/hub or node/node configuration; bussed or radial IPMB
- Push, pull or push-pull cooling
- Shelf manager based on Pigeon Point technology



Systems

- 2 U, 2 slot DC version, without rear I/O . 8.4
- 2 U, 2 slot DC version, with rear I/O 8.5
- 5 U, 6 slot 8.6
- 12 U, 14 slot 8.7
- 13 U, 14 slot 8.8
- 13 U, 16 slot, 96 HP 8.9
- 14 U, 14 slot, next generation . 8.10



12705006 12705005

AdvancedTCA accessories

- Front panels and handles
- Shelf manager based on Pigeon Point technology
- Backplane



12708006 127070173

Accessories... 8.11

Field replaceable units (FRUs) . . 8.20



ServicePLUS from page 8.112

- e.g. individual configuration and assembly
- e.g. modifications (integration)
- e.g. downloads (CAD drawings, user manuals, test reports)
- e.g. custom solutions

www.schroff.biz/ServicePLUS

30407004

ServicePLUS . . 8.112

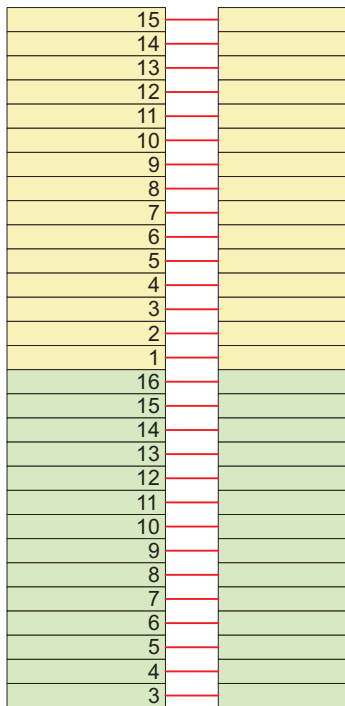
Systems - AdvancedTCA

2 U, 2 slot, without rear I/O



Front view

12709008



Node/node configuration

12612050

- In accordance with AdvancedTCA specification PICMG 3.0 rev. 3.0
- Perfect configuration for a move to AdvancedTCA
- 2 slot backplane, 15x connected fabric interface, node/node configuration
- Two hot-swap fan trays for up to 200 W cooling per slot, airflow from right to left (push-pull cooling)
- Power terminal with fuse (PEM) -48 V_{DC}
- No shelf manager is required

Delivery comprises (completely assembled, wired and tested)

Item	Qty	Description
1	1	Shielded 19" subrack, St, zinc-plated, 2 U, 84 HP, 382 mm deep, front with overlays, black, RAL 9005, with 2 horizontal slots for 8 U, 6 HP, 280 mm deep AdvancedTCA boards
2	1	Backplane, 2 slot, 15x connected fabric interface, with node/node configuration (base channels are connected)
3	1	Power terminal with fuse (PEM) -48 V _{DC}
4	2	Fan tray
5	1	Air filter

Order Information

AdvancedTCA system	Backplane type	Part no.
2 U, 2 slot, without rear I/O	15x connected fabric interface, node/node configuration, bussed IPMB	11596-088

Accessories

PSU, AC/DC, 850 W/500 W (230 V/115 V) 1 piece	21596-370
Front panels and handles	Page 8.12
AdvancedMC carriers	Page 8.26
Replacement parts (FRUs)	
Air filters - page 8.23	21596-515

Note

- Modified systems available on request



For further information www.schroff.biz/oneclick
oneClick search code = Part no.



ServicePLUS see page 8.112

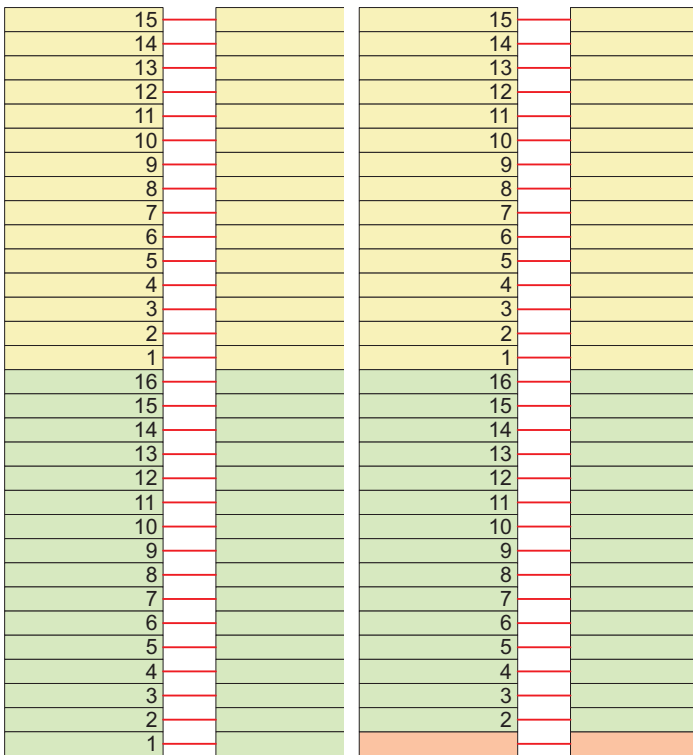
Systems - AdvancedTCA

2 U, 2 slot, with rear I/O



Front view

12708009



Node/node configuration

12612050

Hub/hub configuration

12612051

- In accordance with AdvancedTCA specification PICMG 3.0 rev. 3.0
- Perfect configuration for a move to AdvancedTCA
- 2 slot backplane, 15x connected fabric interface; two versions: Node/node or hub/hub configuration
- Two hot-swap fan trays for up to 200 W cooling per slot, airflow from right to left (push/pull cooling)
- One power terminal with fuse (PEM) -48 V_{DC}
- Two shelf managers and one SAP (shelf alarm panel) may be fitted

Delivery comprises (completely assembled, wired and tested)

Item	Qty	Description
1	1	Shielded 19" subrack, St, zinc-plated, 2 U, 84 HP, 382 mm deep, Front with overlays, black, RAL 9005, with 2 horizontal slots for 8 U, 6 HP, 280 mm deep AdvancedTCA boards, rear 8 U, 6 HP, 70 mm deep
2	1	Backplane, 2 slot, 15x connected fabric interface; node/node configuration: base channels are connected hub/hub configuration: base channel 1 cross connected to the shelf managers, base channels 2-15 are connected directly to one another
3	1	Power terminal with fuse (PEM) -48 V _{DC}
4	2	Fan tray
5	1	Air filter

Order Information

AdvancedTCA system	Backplane type	Part no.
2 U, 2 slot, with rear I/O	15x connected fabric interface with hub/hub configuration, bussed IPMB	11596-090
	15x connected fabric interface with node/node configuration, bussed IPMB	11596-107

Accessories

Shelf manager (bussed) , 1 piece	21596-300
Front panels and handles	Page 8.12
AdvancedMC carriers	Page 8.26

Replacement parts (FRUs)

Shelf alarm panel , 1 piece	21596-077
PSU, AC/DC, 850 W/500 W (230 V/115 V) Chassis, height 48 mm, width 316 mm, depth 102 mm, input 90 ... 264 V _{AC} ; output 48 V _{DC} , 15.7/9.3 A (230/115 V _{AC}); 1 piece	21596-370
Equipment cables	Page 3.38
Air filter - page 8.23	21596-515



ServicePLUS see page 8.112



For further information www.schroff.biz/oneclick
oneClick search code = Part no.

Systems - AdvancedTCA

5 U, 6 slot, with PEM



Front view

12710001



ServicePLUS see page 8.112

- In accordance with AdvancedTCA specification PICMG 3.0 rev. 3.0
- 6 slot backplane with triple replicated mesh topology, 40 Gbps transmission rate (4 x 10 Gbps), radial or bussed IPMB with inserted FRU SEEPROM
- Two hot-swap fan trays (with 6 fans each) for over 350 W cooling per slot, airflow from right to left (push-pull cooling)
- Two redundant power entry modules (PEMs) for supply voltage $-48 V_{DC}/-60 V_{DC}$
- Power distribution to backplane via two redundant power branches, separately protected by 30 A circuit breakers
- Prepared for two Schroff shelf managers with Pigeon Point ShMM 500 and one shelf alarm panel (SAP)

NEW

Delivery comprises (completely assembled, wired and tested)

Item	Qty	Description
1	1	Shielded 19" subrack system, St, zinc-plated, 5 U, 84 HP, 464 mm deep, front with overlays, black, RAL 9005, with 6 horizontal slots for 8 U, 6 HP, 280 mm deep AdvancedTCA boards, rear 8 U, 6 HP, 70 mm deep
2	1	Backplane, 6 slot, triple replicated mesh, 2 hub slots, 4 node slots
3	2	Redundant $-48 V_{DC}/-60 V_{DC}$ power entry module (PEM) with circuit breaker
4	2	Hot-swap fan tray with 6 fans each to cool the boards (> 350 W/board); filter mat
5	2	Front panel; space to accommodate shelf manager
6	1	Front panel; space for fitting shelf alarm panel (SAP)

Order Information

AdvancedTCA system	Backplane type	Part no.
5 U, 6 slot, with PEM	Triple replicated mesh, 40 Gbps, bussed IPMB	11596-160
	Triple replicated mesh, 40 Gbps, radial IPMB	11596-161

Accessories

Shelf manager (bussed)	1 piece - page 8.18	21596-300
Shelf manager (radial)	1 piece - page 8.18	21596-301
Cable	RJ 45 Cat 5 plug - D-Sub plug, 9-pin, length 2 m, 1 piece; page 8.18	23204-187
Front panels and handles		Page 8.12
AdvancedMC carriers		Page 8.26
Replacement parts (FRUs)		
Power entry module (PEM)	- page 8.20	21990-058
Fuse	30 A/80 V for power entry module, PU 10 pieces	21191-207
Shelf alarm panel (SAP)		21596-077
Fan tray	- page 8.21	21990-057
Air filter	- page 8.23	21990-059

Note

- Modified systems available on request



For further information www.schroff.biz/oneclick
oneClick search code = Part no.

Systems - AdvancedTCA

12 U, 14 slot, with PEM



Front view

12705005



ServicePLUS see page 8.112

- In accordance with AdvancedTCA specification PICMG 3.0 rev. 2.0
- 14 slot backplane with dual star or full mesh topology
- Two redundant power entry modules (PEM) for supply voltage $-48 V_{DC}/-60 V_{DC}$
- Redundant hot-swap fan trays for up to 250 W cooling per slot, airflow from bottom front to top rear; air filter exchangeable from front
- Shelf alarm panel (SAP)
- Prepared for two Schroff shelf managers with Pigeon Point ShMM 500 for bussed or radial IPMB topology



Delivery comprises (completely assembled, wired and tested)

Item	Qty	Description
1	1	Shielded 19" subrack system, St, 12 U, 84 HP, 383 mm deep; powder-coated, black, RAL 9005; with 14 horizontal slots for 8 U, 6 HP, 280 mm deep AdvancedTCA boards, rear 8 U, 6 HP, 70 mm deep; cable channel at front and rear
2	1	Backplane, 14 slot
3	2	Redundant $-48 V_{DC}/-60 V_{DC}$ power entry module (PEM), plugged in on the rear, with 4 pairs of lines each per input (8 fuses, 30 A)
4	1	Fan unit at bottom; 3 redundant fan trays with 330 m ³ /h (195 cfm) each, with 2 fans each to cool the front and rear I/O boards Filter mat
5	1	Shelf alarm panel (SAP)
6	1	Cover for shelf manager slot (enclosed loose)
7	2	Mounting bracket, for assembly in 19" cabinets

Order Information

AdvancedTCA system	Backplane type	Part no.
12 U, 14 slot, with PEM	Dual star, 25 Gbps, bussed IPMB	11596-300
	Full mesh, 25 Gbps, radial IPMB	11596-303

Accessories

Shelf manager (bussed)	1 piece - page 8.18	21596-300
Shelf manager (radial)	1 piece - page 8.18	21596-301
Cable	RJ 45 Cat 5 plug - D-Sub plug, 9-pin, length 2 m, 1 piece; page 8.18	23204-187
Adaptor 12 U	RAL 9005, from 19" to ETSI, PU 1 kit	21596-273
Adaptor 12 U	RAL 9005, from 19" to 23", PU 1 kit	21596-274
Front panels and handles		Page 8.12
AdvancedMC carriers		Page 8.26

Replacement parts (FRUs)

Chassis Data Module	- page 8.25	21596-023
Power entry module (PEM)	- page 8.20	21596-003
Fuse	30 A/80 V for power entry module, PU 10 pieces	21191-207
Shelf alarm panel (SAP)	- page 8.23	21596-022
Fan tray	- page 8.21	21596-236
Air filter	- page 8.23	21596-002

Note

- Modified systems available on request

Systems – AdvancedTCA

13 U, 14 slot, with PEM



Front view

12707005



ServicePLUS see page 8.112

- In accordance with AdvancedTCA Standard PICMG 3.0 Rev.3.0
- 14 slot backplane with dual star topology (bussed or radial IPMI, 40 Gbps) or with full mesh topology, radial IPMI (25 Gbps)
- Two redundant power entry modules (PEM) for supply voltage $-48 V_{DC}/-60 V_{DC}$
- Redundant hot-swap fan trays for up to 300 W cooling per slot, airflow from bottom front to top rear; air filter exchangeable from front
- Shelf alarm panel (SAP) and shelf alarm display (SAD)
- Prepared for two Schroff shelf managers with Pigeon Point ShMM 500 for bussed or radial IPMB



NEW

Delivery comprises (completely assembled, wired and tested)

Item	Qty	Description
1	1	Shielded 19" subrack system, St, 13 U, 84 HP, 383 mm deep; powder-coated, black, RAL 9005; front 14 slot, 8 U, vertical board mounting, boards 6 HP, 280 mm deep, rear 6 HP, 70 mm deep; cable channel at front and rear
2	1	Backplane, 14 slot
3	2	Redundant power entry module (PEM), $-48 V_{DC}/-60 V_{DC}$, plugged in at rear, with 4 pairs of lines each per input (8 fuses, 30 A)
4	1	Fan unit at top; 3 redundant fan trays with 400 m ³ /h (230 cfm) each, with 2 fans each to cool the front and rear I/O boards; filter mat
5	1	Shelf alarm panel (SAP)
6	1	Shelf alarm display (SAD)
7	2	Mounting bracket, for assembly in 19" cabinets

Order Information

AdvancedTCA system	Backplane type	Part no.
13 U, 14 slot, with PEM	Dual star, 40 Gbps, bussed IPMB	11990-600
	Dual star, 40 Gbps, bussed IPMB	11990-601
	Full mesh, 25 Gbps, radial IPMB	11990-603

Accessories

Shelf manager (bussed)	1 piece - page 8.18	21596-300
Shelf manager (radial)	1 piece - page 8.18	21596-301
Cable	RJ 45 Cat 5 plug - D-Sub plug, 9-pin, length 2 m, 1 piece; page 8.18	23204-187
Mounting bracket 13 U	RAL 9005, from 19" to 23", PU 1 kit	21596-278
Front panels and handles		Page 8.12
AdvancedMC carriers		Page 8.26
Replacement parts (FRUs)		
Chassis Data Module	- page 8.25	21596-023
Power entry module (PEM)	- page 8.21	21596-020
Fuse	30 A/80 V for power entry module, PU 10 pieces	21191-207
Shelf alarm panel (SAP)	- page 8.24	21596-140
Shelf alarm display (SAD)	- page 8.24	21596-026
Fan tray	- page 8.22	21990-184
Air filter	- page 8.23	21596-138

Note

- Modified systems available on request

Systems - AdvancedTCA

13 U, 16 slot, 96 HP, with PEM



Front view

12705004



ServicePLUS see page 8.112

- In accordance with AdvancedTCA specification PICMG 3.0 rev. 2.0
- 16 slot backplane with dual star or full mesh topology
- Two redundant power entry modules (PEM) for supply voltage $-48 V_{DC}/-60 V_{DC}$
- Redundant hot-swap fan trays for up to 300 W cooling per slot, airflow from bottom front to top rear; air filter exchangeable from front
- Shelf alarm panel (SAP); Shelf alarm display (SAD)
- Prepared for two Schroff shelf managers with Pigeon Point ShMM 500 for bussed or radial IPMB topology



Delivery comprises (completely assembled, wired and tested)

Item	Qty	Description
1	1	Shielded 19" subrack system, St, 13 U, 96 HP, 383 mm deep, powder-coated, black, RAL 9005; with 16 horizontal slots for 8 U, 6 HP, 280 mm deep AdvancedTCA boards, rear 6 HP, 70 mm deep; cable channel at front and rear
2	1	Backplane, 16 slots
3	2	Redundant $-48 V_{DC}/-60 V_{DC}$ power entry module (PEM), plugged in at rear, with 4 pairs of lines each per input (8 fuses, 30 A)
4	1	Fan unit at top; 3 redundant fan trays with 390 m ³ /h (230 cfm) each, with 2 radial fans each to cool the front and rear I/O boards; filter mat
5	1	Shelf alarm panel (SAP)
6	1	Shelf alarm display (SAD)
7	2	Mounting bracket, for assembly in ETSI racks

Order Information

AdvancedTCA system	Backplane type	Part no.
13 U, 16 slot, 96 HP, with PEM	Dual star, 40 Gbps, bussed IPMB	11592-500
	Full mesh, 25 Gbps, radial IPMB	11592-503

Accessories

Shelf manager (bussed)	1 piece - page 8.18	21596-300
Shelf manager (radial)	1 piece - page 8.18	21596-301
Cable Cat 5 plug - D-Sub plug, 9-pin, length 2 m, 1 piece; page 8.18		23204-187
Mounting bracket 13 U , RAL 9005, from ETSI to 23", PU 1 kit		21596-327
Front panels and handles		Page 8.12
AdvancedMC carrier		Page 8.26
Replacement parts (FRUs)		
Chassis Data Module - page 8.25		21596-023
Power entry module (PEM) - page 8.21		21596-020
Fuse 30 A/80 V for power entry module, PU 10 pieces		21191-207
Shelf alarm panel (SAP) - page 8.24		21596-140
Shelf alarm display (SAD) - page 8.24		21596-026
Fan tray		21596-025
Air filter - page 8.23		21594-144

Note

- Modified systems available on request

Systems - AdvancedTCA

AdvancedTCA 450/40 series chassis, 14 slot, DC



Front view

- 40 G backplane with 14 slots, dual star topology, 2 versions: bussted and radial IPMB
- 450 W cooling capacity per slot at an ambient temperature of 55 °C
- -48 V_{DC}/-60 V_{DC} input voltage, two redundant power entry modules (PEM)
- 2 redundant hot-swap fan trays in push-pull configuration, airflow from bottom front to top rear; air filter exchangeable from front
- Prepared for 2 x Schroff shelf managers with Pigeon Point ShMM 500 for bussted or radial IPMB topology
- UL recognized, E229721 type T08
- Conforms to AdvancedTCA standard PICMG 3.0 Rev.3.0

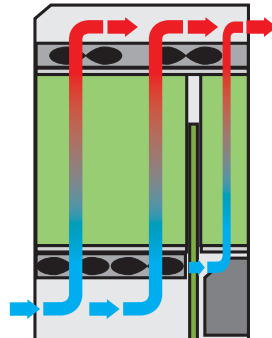
NEW

Delivery comprises (completely assembled, wired and tested)

Item	Qty	Description
1	1	Shielded 19" plug-in units, St, 14 U, 84 HP, 383 mm deep, powder coated, black, RAL 9005; with 14 vertical slots at front for 8 U, 6 HP, 280 mm deep AdvancedTCA boards; 14 vertical slots at rear, 8 U, 6 HP, 70 mm deep; cable channel on front and rear
2	1	Backplane, 14 slots
3	2	Redundant power entry module (PEM) -40 ... -72 V _{DC} , inserted at rear, with 2 pairs of lines per input
4	1	Fan tray at top with 6 fans, each 565 m ³ /h (336 cfm)
5	1	Fan tray at bottom with 6 fans, each 565 m ³ /h (336 cfm)
6	1	Telco alarm panel integrated in the bottom fan drawer
7	1	Air filter, can be changed from the front
8	2	Mounting bracket, for assembly in 19" cabinets



Accessories: optional shelf manager



Push-pull cooling



ServicePLUS see page 8.112



Order Information

AdvancedTCA system	Backplane type	Part no.
AdvancedTCA 450/40 series chassis, 14 slot, DC	Dual star, 40 Gbps, bussted IPMB	11990-100
	Dual star, 40 Gbps, radial IPMB	11990-101

Accessories

Shelf manager (bussted)	1 piece - page 8.18	21596-300
Shelf manager (radial)	1 piece - page 8.18	21596-301
Cable	RJ 45 Cat 5 plug - D-Sub plug, 9-pin, length 2 m, 1 piece; page 8.18	23204-187
Front panels and handles		Page 8.12
AdvancedMC carriers		Page 8.26
Replacement parts (FRUs)		
Chassis Data Module	- page 8.25	21990-226
Power entry module (PEM)	- page 8.21	21990-224
Fuse	30 A/80 V for power entry module, PU 10 pieces	21990-225
Fan tray	- page 8.23	21990-227
		21990-228
Air filter	- page 8.23	21990-229

Note

- Modified systems available on request



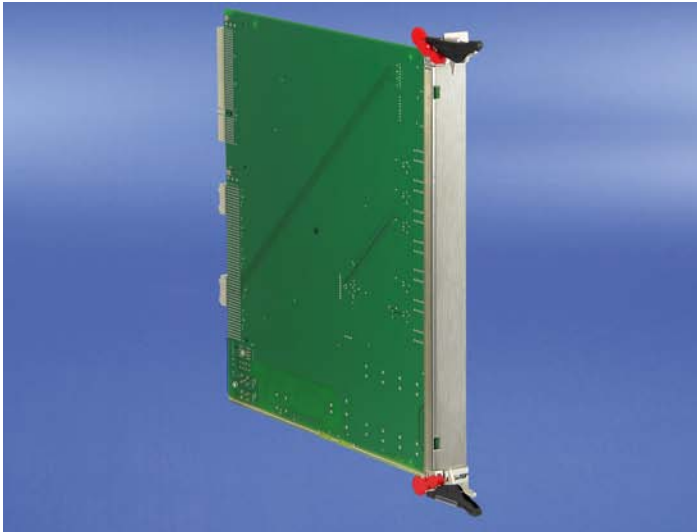
For further information www.schroff.biz/oneclick
oneClick search code = Part no.

Accessories overview

- Front panel **reinforced** with die-cast end piece and IEA handle **with** spring loading, see from page 8.12
 - Kit
 - Individual configuration
- Front panel and IEA handle **without** spring loading, see from page 8.14
 - Kit
 - Individual configuration (Al or stainless steel) with/without spring loading
- AdvancedTCA front panels with integrated side two cover, see page 8.16
- AdvancedTCA air deflectors, filler panels, see page 8.17
- Shelf managers, see page 8.18
- Backplanes, see page 8.19
- Replacement parts - field replacement units (FRUs), see from page 8.20

Systems - AdvancedTCA

Front panel reinforced with die-cast end piece and IEA handle with spring loading



Delivery excludes board

12708004

- Schroff hot-swap handle (when open, the spring loading aids the complete opening of the handle and thus facilitates the insertion of the board)
- Front panel: aluminum or stainless steel, reinforced by the die-cast end piece (increases robustness of front panel)
- Versions for 2 microswitch types (plunger or lever contact)
- EMC textile gasket

Delivery comprises (Kit)

Item	Qty	Description
1	1	Front panel
3	2	Die-cast endpiece, alignment pin, knurled screws M3
2	1	Lower IEA handle incl. bearing, spring assisted, (pre-fitted as transport securing device)
4	1	Upper IEA handle incl. bearing, spring-assisted, (pre-fitted as transport securing device)
5	1	EMC gasket, length 299 mm
6	1	Fixing material kit and user manual



AdvancedTCA spring-loaded IEA handle

12707017

Order Information

Height U	Width HP	Front panel reinforced with die-cast end piece and IEA handle with spring loading	Part no.
8	6	Stainless steel, with AdvancedTCA IEA handle (plunger type)	20818-160
8	6	Stainless steel, with AdvancedTCA IEA handle (lever type)	20818-161
8	6	Al extrusion, 1 mm, with AdvancedTCA IEA handle (plunger style)	20818-169
8	6	Al extrusion, 1 mm, with AdvancedTCA IEA handle (lever style)	20818-170

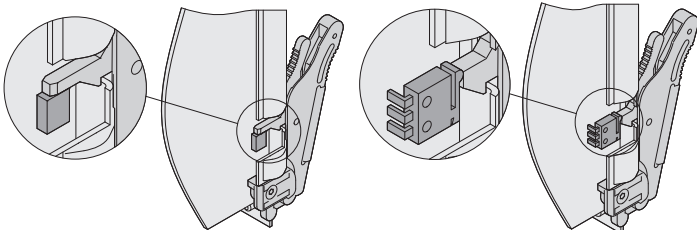
Accessories

AdvancedTCA handle (IEA) design element

Plastic, transparent, to clip on, for customers' logos, UL 94 V-0, PU 10 pcs	20818-140
--	-----------

Note

- Front panels with copper-beryllium gasket (CuBe) available on request
- Front panels with board cover on request
- With its front panel service Schroff offers extensive modification options, including custom cut-outs, foils and screen printing, www.frontpanelexpress.eu
- Intuitive Ergonomic Aesthetic = IEA handle
- CAD data: please enter part number under www.schroff.biz/oneclick/



Handle with plunger contact (plunger style)

12707051

Handle with lever contact (lever style)

12707052

FRONT PANEL
EXPRESS


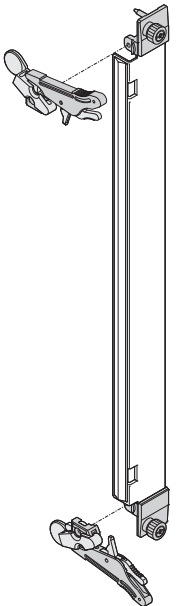
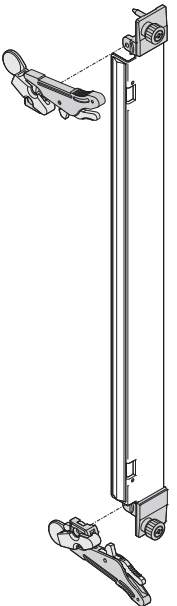
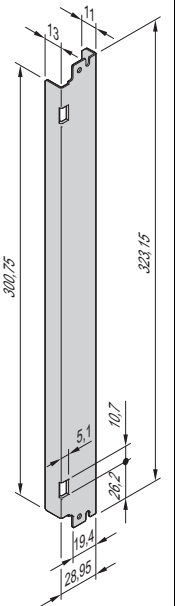


For further information www.schroff.biz/oneclick
oneClick search code = Part no.

Systems - AdvancedTCA

Configuration: Front panel reinforced with die-cast end piece and IEA handle with spring loading

Order Information

	Handle with spring loading and die-cast end piece		Front panel		EMC textile gasket	Design element for handle
	Plunger style	Lever style	Stainless steel	Al extrusion		
						
12708004	12708051	12708052	12708050	12708050	12712051	12706024
	2 x handle with spring loading; 2 x die-cast end pieces, PIN, M3 screw; with the IEA handle, when open, the spring loading holds the handle open and thus facilitates insertion of the board		8 U, 6 HP, stainless steel, 1 mm	8 U, 6 HP, Al extrusion, 1 mm	PET triangular gasket, height 2.3 mm, conductive coating CuNi, UL 94 V0, self-adhesive	Plastic, transparent, clips in, UL 94 V-0
	PU 1 kit		1 piece	1 piece	PU 10 pieces	PU 10 pieces
Plunger style	20818-163	–	31596-791	31596-899	21596-376	20818-140
Lever style	–	20818-164	31596-792	31596-900	21596-376	20818-140

Note

- Intuitive Ergonomic Aesthetic = IEA handle



For further information www.schroff.biz/oneclick
oneClick search code = Part no.

Systems - AdvancedTCA

Front panels and IEA handle (without spring loading)



Left: application example; right: scope of delivery without board 12709002



AdvancedTCA IEA handle 12707017

- Schroff hot-swap handle (when open, the handle must be held in the open position)
- Stainless steel front panel
- Versions for 2 microswitch types (plunger or lever contact)
- EMC textile gasket

Delivery comprises ((kit))

Item	Qty	Description
1	1	Stainless steel or Al extrusion front panel incl. alignment pin and M3 knurled screws
2	1	Lower handle incl. bearing
3	1	Upper handle incl. bearing
4	1	EMC mesh gasket
5	1	Fixing material kit (M2.5 screws incl. thread locking compound)

Order Information

Height U	Width HP	Front panels and IEA handle (without spring loading)	Part no.
8	6	Stainless steel, with AdvancedTCA IEA handle (plunger type)	21596-324
8	6	Stainless steel, with AdvancedTCA IEA handle (lever type)	21596-325

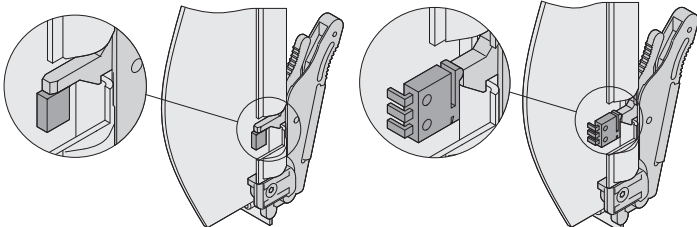
Accessories

AdvancedTCA handle (IEA) design element Plastic, transparent, to clip on, for customers' logos, UL 94 V-0, PU 10 pcs	20818-140
---	-----------

Note

- Al front panel available through individual configuration service
- Front panels with copper-beryllium gasket (CuBe) available on request
- Front panels with board cover on request
- With its front panel service Schroff offers extensive modification options, including custom cut-outs, foils and screen printing:
www.frontpanelexpress.eu
- Intuitive Ergonomic Aesthetic = IEA handle
- CAD data: please enter part number under www.schroff.biz/oneclick/

FRONT PANEL EXPRESS



Handle with plunger contact
(plunger style) 12707051

Handle with lever contact
(lever style) 12707052




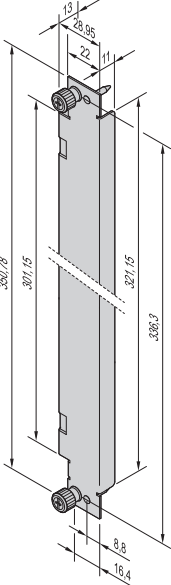
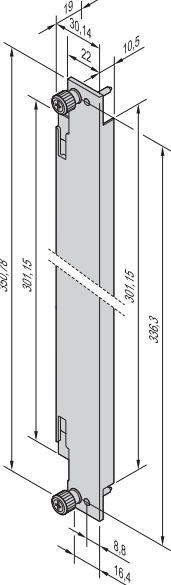
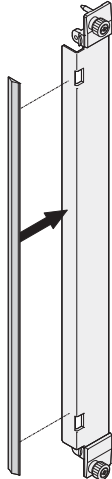



For further information www.schroff.biz/oneclick
oneClick search code = Part no.

Systems - AdvancedTCA

Front panels and IEA handle (with/without spring loading)

Order Information

	IEA handle (with spring loading)	IEA handle (without spring loading)	Front panel		EMC textile gasket	Design element for handle
			Stainless steel	Al extrusion		
 <div style="text-align: right;">12909002</div>	 <div style="text-align: right;">12707017</div>	 <div style="text-align: right;">12707017</div>	 <div style="text-align: right;">12705059</div>	 <div style="text-align: right;">12708050</div>	 <div style="text-align: right;">12712051</div>	 <div style="text-align: right;">12706024</div>
	<p>Pre-fitted handle with microswitch activation; when open, the spring loading of the IEA handle holds the handle open and thus facilitates insertion of the board</p>	<p>Pre-fitted handle with microswitch activation; when open, the handle must be held in open position</p>	<p>Stainless steel, 1 mm, 8 U, 6 HP</p>	<p>Al extrusion, 2.5 mm, 8 U, 6 HP</p>	<p>PET triangular gasket, height 2.3 mm, conductive coating CuNi, UL 94 V-0, self-adhesive</p>	<p>Plastic, transparent, clips in, UL 94 V-0</p>
	PU 10 pieces	PU 10 pieces	1 piece	1 piece	PU 10 pieces	PU 10 pieces
Plunger style, upper	20818-145	20818-121	31591-422	31596-575	21596-376	20818-140
Plunger style, lower	20818-146	20818-122	31591-422	31596-575	21596-376	20818-140
Lever style, upper	20818-147	20818-123	31596-423	31596-576	21596-376	20818-140
Lever style, lower	20818-148	20818-124	31596-423	31596-576	21596-376	20818-140

Note

- Intuitive Ergonomic Aesthetic = IEA handle



For further information www.schroff.biz/oneclick
oneClick search code = Part no.

Front panel with integrated Side Two Cover



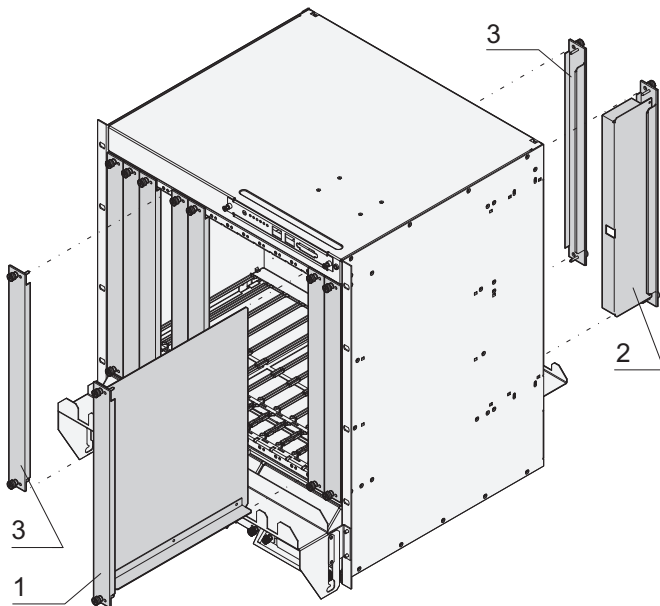
12706022

- For protection of components on solder side of backplane
- Customised version available on request
- Schroff offers extensive modification options with the Front Panel Service, including customised cut-outs, foils and silk-screen printing, www.frontpanelexpress.eu

FRONT PANEL
EXPRESS

Systems - AdvancedTCA

AdvancedTCA air deflectors, filler panels



- Front panels, stainless steel or Al extrusion
- 6 HP front panels in three versions
 - Front: Front panel with air baffle (item 1, air baffle blocks the air from unused slots)
 - Rear: Front panel with air baffle (item 2, air baffle blocks the air from unused slots)
 - Only front panel (item 3)

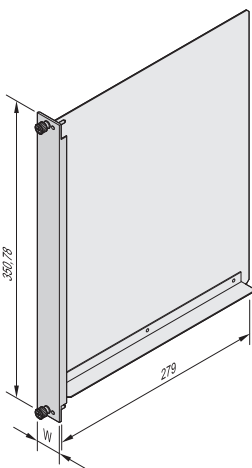
Delivery comprises (Kit)

Item	Qty	Description
1	1	Front panel
2	1	Air baffle (front or rear)

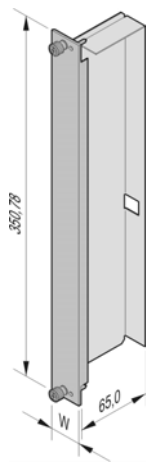
Order Information

AdvancedTCA air deflector

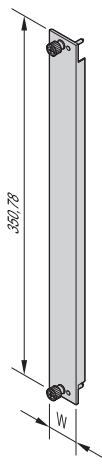
Item	Height U	Width HP	Depth mm	W mm	Description	Part no.
1	8	6	280	30.14	Front panel, Al extrusion, incl. air baffle, with mesh gasket	21596-008
1	8	6	280	28.95	Front panel, stainless steel, incl. air baffle with mesh gasket	21591-079
2	8	6	70	30.14	Front panel, Al extrusion, for rear I/O area, incl. air baffle, with mesh gasket	21591-107
2	8	6	70	28.95	Front panel, stainless steel, for rear I/O area, incl. air baffle with mesh gasket	21591-099



12705064
Item 1



12705061
Item 2



12705063
Item 3

AdvancedTCA filler panel

Item	Height U	Width HP	Depth mm	W mm	Description	Part no.
3	8	6	–	30.14	Al extrusion, front panel with mesh gasket	21591-104
3	8	6	–	28.95	Front panel, stainless steel, with mesh gasket	21591-097

Note

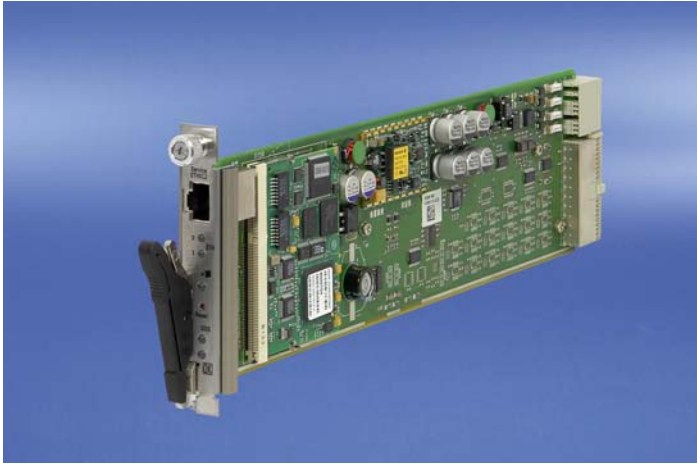
- Version with CuBe gasket available on request
- AdvancedMC carriers see page 8.26
- CAD data: please enter part number under www.schroff.biz/oneclick/



For further information www.schroff.biz/oneclick/
oneClick search code = Part no.

Systems - AdvancedTCA

Shelf managers (ACB-V)



12708006

- Based on Pigeon Point Shelf Management technology ShMM 500
- Up to two Shelf Managers per system can be used per system
- Includes stainless steel front panel and AdvancedTCA handle (black)

Order Information

Height U	Width mm	Depth mm	Description	Part no.
2	20.00	280	Shelf manager, busbed version	21596-300
2	20.00	280	Shelf manager, radial version	21596-301
Cable RJ 45 Cat 5 plug - D-Sub plug, 9-pin, length 2 m, 1 piece				23204-187
Front panel, stainless steel to cover an unused shelf manager slot, width 15.22 mm, height 99.33 mm, incl. EMC gasket, 1 piece				21596-012



12706021

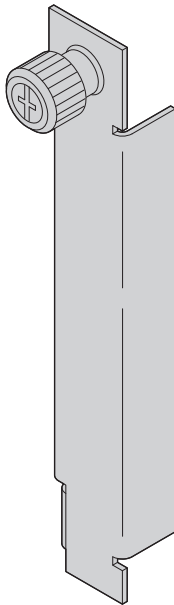
Cable

Note

- Shelf manager to Intel NetStructure® MPCMM0002 (chassis management module) available on request



For further information www.schroff.biz/oneclick
oneClick search code = Part no.

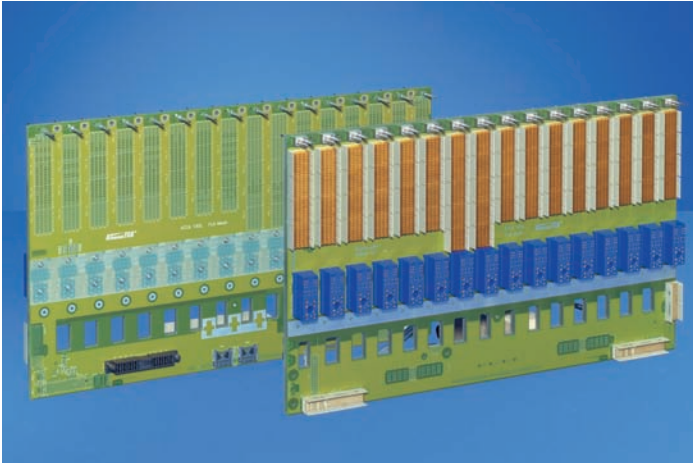


12706052

Front panel, stainless steel

Systems - AdvancedTCA

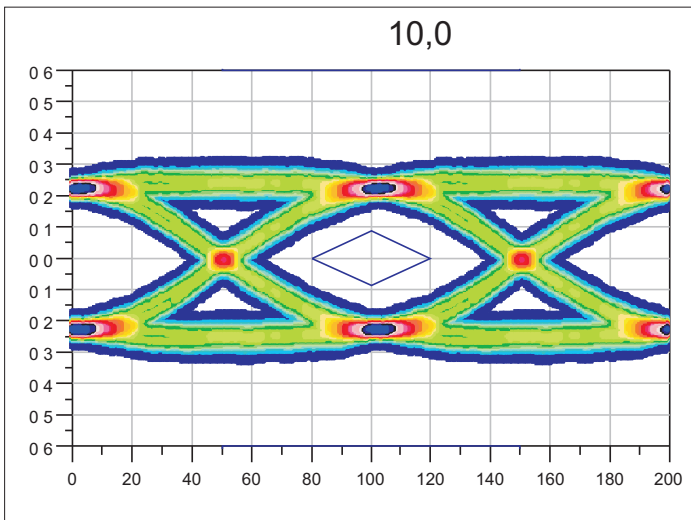
Backplane



12606003

All Schroff AdvancedTCA systems are equipped with a high-performance Schroff backplane. Thanks to our years of experience in high-speed data transfer we have now built 40G backplanes to the XAUI specification into our systems, which are constructed with the low-cost FR 4 material. Additionally, the number of layers has been reduced to less than half of the first backplanes. The Schroff AdvancedTCA systems are equipped and available with:

- Backplane with dual star, full mesh and replicated mesh topology; dual star topology on request
- Bussed or radial intelligent platform management interface (IPMB)
- Redundant power supply, divided into up to four independent segments
- Point-to-point connection structure independent of protocol
- Data transfer rates of up to 40 Gbps
- I²C bus for internal monitoring
- Outstanding eye pattern of up to 10 Gbps per differential pair (40G backplane)



12707058

Systems – AdvancedTCA

Field replaceable units (FRUs)

Field replaceable unit (FRU) designates system components that can be replaced on site. This reduces system downtime to a minimum. Schroff offers various FRU components for AdvancedTCA systems:

- Power entry modules, see from page 8.20
- Fan trays, see from page 8.21
- Air filters see page 8.23
- Shelf alarm panels, see from page 8.23
- Shelf alarm display, see page 8.24
- Chassis data module, see page 8.25

Power entry module for 5 U, 6 slot AdvancedTCA system



12710002

- Input 48 V_{DC}/60 V_{DC}
- Plugged-in at rear of chassis
- For 2 pairs of lines each (RTN and -48 V_{DC}/60 V_{DC}) per input
- Delivers up to 350 W/slot
- Hot-swap push-button and LED display (hot-swap, alarms, etc.)
- 2 circuit breakers and 2 double lugs (power terminals)

Order Information

Description	Qty/PU	Part no.
Power entry module 6-slot system (11596-160, 11596-161)	1	21990-058

Note

- CAD data: please enter part number under www.schroff.biz/oneclick/
- AdvancedTCA systems see from page 8.6

Power entry module for 12 U, 14 slot AdvancedTCA system



12706006

- Input 48 V_{DC}/60 V_{DC}
- Plugged-in at rear of chassis
- For 4 pairs of lines each (RTN and -48 V_{DC}/60 V_{DC}) per input
- 8 fuses 30 A/80 V each

Order Information

Description	Qty/PU	Part no.
Power entry module for 12 U, 14 slot AdvancedTCA system (11596-300, -303)	1	21596-003
Fuse 30 A/80 V for power entry module, PU 10 pieces		21191-207

Note

- Download of FRU files: Please enter part number under www.schroff.biz/oneclick/
- AdvancedTCA systems see page 8.9

Systems - AdvancedTCA

Power entry module for
13 U, 14/16 slot AdvancedTCA system



12706006

- Input 48 V_{DC}/60 V_{DC}
- Plugged-in at rear of chassis
- For 4 pairs of lines each (RTN and -48 V_{DC}/60 V_{DC}) per input
- 8 fuses 30 A/80 V each

Order Information

Description	Qty/PU	Part no.
Power entry module for 13 U, 14/16 slot AdvancedTCA system (11990-600, -601, -603; 11592-500, -503)	1	21596-020
Fuse 30 A/80 V for power entry module, PU 10 pieces		21191-207

Note

- Download of FRU files: Please enter part number under www.schroff.biz/oneclick/
- AdvancedTCA systems see from page 8.9

Power entry module for
14 U, 14-slot AdvancedTCA system



12712003

- Input 48 V_{DC}/60 V_{DC}
- Plugged-in at rear of chassis
- For 2 pairs of lines each (RTN and -48 V_{DC}/60 V_{DC}) per input
- 8 fuses 50 A/80 V each

NEW

Order Information

Description	Qty/PU	Part no.
Power entry module for 14 U, 14-slot AdvancedTCA system (11990-10x)	1	21990-224
Accessories		
Fuse50 A/80 V for power entry module, PU 10 pieces		21990-225

Fan tray for 5 U, 6 slot AdvancedTCA system



12710003

- Fan tray with 6 axial fans to cool front and rear boards in system
- Cooling capacity up to 350 W per board
- Extractor handle, hot-swap push-button and LED display (hot-swap, alarms, etc.)

Order Information

Description	Qty/PU	Part no.
Fan tray for 5 U, 6-slot system (11596-160, 11596-161)	1	21990-057

Note

- CAD data: please enter part number under www.schroff.biz/oneclick/
- AdvancedTCA systems see from page 8.6

Systems - AdvancedTCA

Fan tray for 12 U, 14 slot AdvancedTCA system



12706007

- Fan tray with 2 fans ($330 \text{ m}^3/\text{h} = 195 \text{ cfm}$ each) to cool front and rear boards in system
- Extractor handle and LED display (hot-swap, alarms, etc.)

Order Information

Description	Qty/PU	Part no.
Fan tray 12 U, 14 slot system (11596-3xx)	1	21596-236

Note

- CAD data: please enter part number under www.schroff.biz/oneclick/
- AdvancedTCA systems see from page 8.7

Fan tray for 13 U, 14 slot AdvancedTCA system



12706009

- Fan tray with 3 radial fans ($300 \text{ m}^3/\text{h} = 175 \text{ cfm}$) to cool front and rear boards in the system
- Extractor handle and LED display (hot-swap, alarms, etc.)

NEW

Order Information

Description	Qty/PU	Part no.
Fan tray 14-slot systems (11990-60x)	1	21990-184

- AdvancedTCA systems see page 8.8
- Download of FRU files: Please enter part number under www.schroff.biz/oneclick/

Upper fan tray for 14 U, 14-slot AdvancedTCA system



12712001

- Fan tray with 6 axial fans ($570 \text{ m}^3/\text{h} = 336 \text{ cfm}$) to cool front and rear boards in the system
- Extractor handle and LED display (hot-swap, alarms, etc.)
- Telco alarm interface on front

NEW

Order Information

Description	Qty/PU	Part no.
Upper fan tray for 14 U, 14-slot systems (11990-10x)	1	21990-227

Systems - AdvancedTCA

Lower fan tray for
14 U, 14-slot (11990-10x)



- Fan tray with 6 axial fans (570 m³/h = 336 cfm) to cool front and rear boards in the system
- Extractor handle and LED display (hot-swap, alarms, etc.)
- Telco alarm interface on front

NEW

Order Information

Description	Qty/PU	Part no.
Lower fan tray for 14 U, 14-slot systems (11990-10x)	1	21990-228

Air filters for AdvancedTCA systems

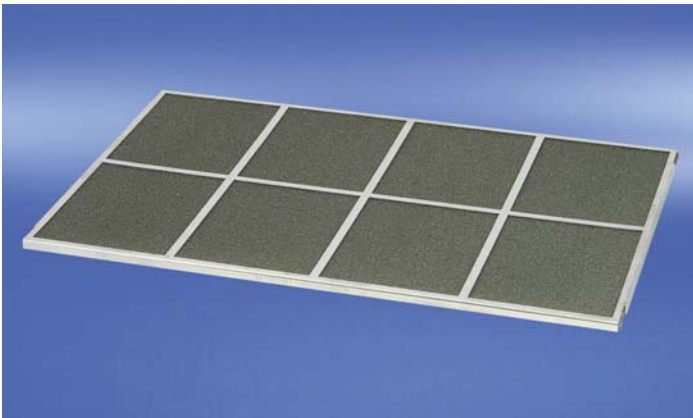


Photo shows air filter of 14 slot system

- 45 PPE, 80 % dust collection to NEBS GR-78 Core standard
- Material Polyurethan UL 94 HF1

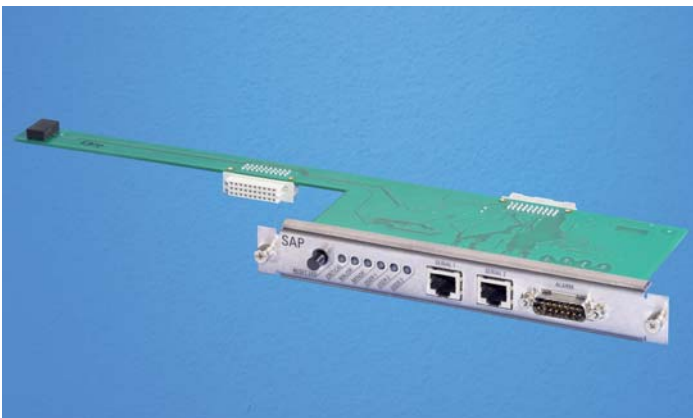
Order Information

Air filter	Qty/PU	Part no.
for 2 U, 2 slot systems (11596-088, 11596-090, 11596-107)	1	21596-515
for 5 U, 6 slot systems (11596-16x)	1	21990-059
for 13 U, 16 slot systems (11592-50x)	1	21594-144
for 14 U, 14 slot system (11990-10x)	1	21990-229

Note

- CAD data: please enter part number under www.schroff.biz/oneclick/
- AdvancedTCA systems see from page 8.9

Shelf alarm panel for
12 U, 14 slot AdvancedTCA system



- Displays all alarm signals in accordance with AdvancedTCA specification
- With alarm cut-off push button
- Two RJ 45 sockets to connect one serial console (serial interface of the two shelf managers)
- D-Sub plug for Telco alarm

Order Information

Description	Qty/PU	Part no.
Shelf alarm panel for 12 U, 14 slot systems (11592-40x, 11596-30x)	1	21596-022

- Download of FRU files: Please enter part number under www.schroff.biz/oneclick/
- AdvancedTCA systems see page 8.7

Systems - AdvancedTCA

Upper fan tray for 14 U, 14-slot (11990-10x)



- Fan tray with 6 axial fans (570 m³/h = 336 cfm) to cool front and rear boards in the system
- Extractor handle and LED display (hot-swap, alarms, etc.)
- Telco alarm interface on front

NEW

Order Information

Description	Qty/PU	Part no.
Lower fan tray for 14 U, 14-slot systems (11990-10x)	1	21990-228

Air filters for AdvancedTCA systems

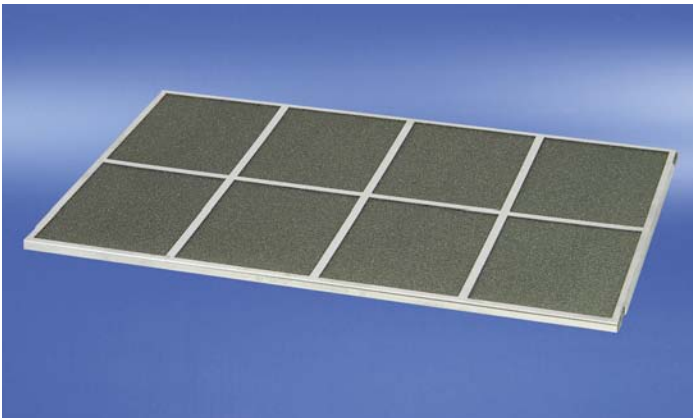


Photo shows air filter of 14 slot system

- 45 PPE, 80 % dust collection to NEBS GR-78 Core standard
- Material Polyurethan UL 94 HF1

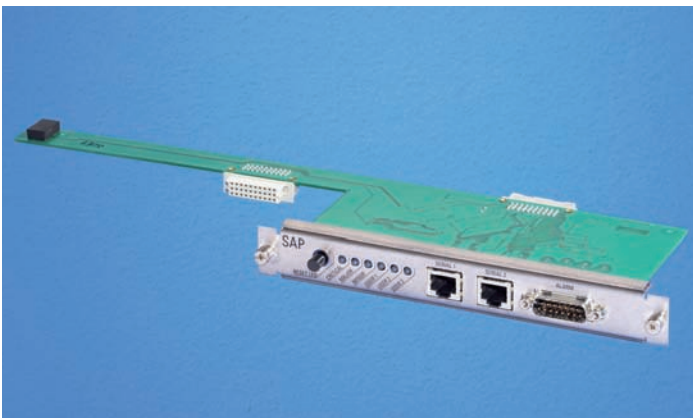
Order Information

Air filter	Qty/PU	Part no.
for 2 U, 2 slot systems (11596-088, 11596-090, 11596-107)	1	21596-515
for 5 U, 6 slot systems (11596-16x)	1	21990-059
for 13 U, 16 slot systems (11592-50x)	1	21594-144
for 14 U, 14 slot system (11990-10x)	1	21990-229

Note

- CAD data: please enter part number under www.schroff.biz/oneclick/
- AdvancedTCA systems see from page 8.9

Shelf alarm panel for 12 U, 14 slot AdvancedTCA system



- Displays all alarm signals in accordance with AdvancedTCA specification
- With alarm cut-off push button
- Two RJ 45 sockets to connect one serial console (serial interface of the two shelf managers)
- D-Sub plug for Telco alarm

Order Information

Description	Qty/PU	Part no.
Shelf alarm panel for 12 U, 14 slot systems (11592-40x, 11596-30x)	1	21596-022

- Download of FRU files: Please enter part number under www.schroff.biz/oneclick/
- AdvancedTCA systems see page 8.7

Systems - AdvancedTCA

Shelf alarm panel for 13 U, 14 slot AdvancedTCA system



12707004

- For output of all Telco alarm signals in accordance with AdvancedTCA Specification
- D-Sub socket for Telco alarm

Order Information

Description	Qty/PU	Part no.
Shelf alarm panel for 13 U, 14 slot systems (11596-10x)	1	21596-140

Note

- Download of FRU files: Please enter part number under www.schroff.biz/oneclick/
- AdvancedTCA systems see page 8.8

Shelf alarm panel for 13 U, 16 slot AdvancedTCA system



12706010

- For output of all Telco alarm signals in accordance with AdvancedTCA specification
- D-Sub socket for Telco alarm

Order Information

Description	Qty/PU	Part no.
Shelf alarm panel for 13 U, 16 slot systems (11592-50x)	1	21596-025

Note

- Download of FRU files: Please enter part number under www.schroff.biz/oneclick/
- AdvancedTCA systems see page 8.9

Shelf alarm display for 13 U, 14 and 16 slot AdvancedTCA system



12706015

- Display the Telco and fan tray alarm signals in accordance with AdvancedTCA Specification
- With alarm cut-off push button
- Two RJ 45 sockets to connect one serial console (serial interface of the two shelf managers)

Order Information

Description	Qty/PU	Part no.
Shelf alarm display for 13 U, 14 and 16 slot systems (11592-5xx, 11596-1xx)	1	21596-026

Note

- Download of FRU files: Please enter part number under www.schroff.biz/oneclick/
- AdvancedTCA systems see page 8.9

Systems - AdvancedTCA

Chassis data module
for 12, 13 and 14 U AdvancedTCA systems



12706014

Illustration shows chassis data module 21596-023

- SEEPROM for chassis FRU data (user must specifically program it for the chassis)
- Temperature sensors for input temperature of chassis
- Hall sensor for filter mat ("air filter present")

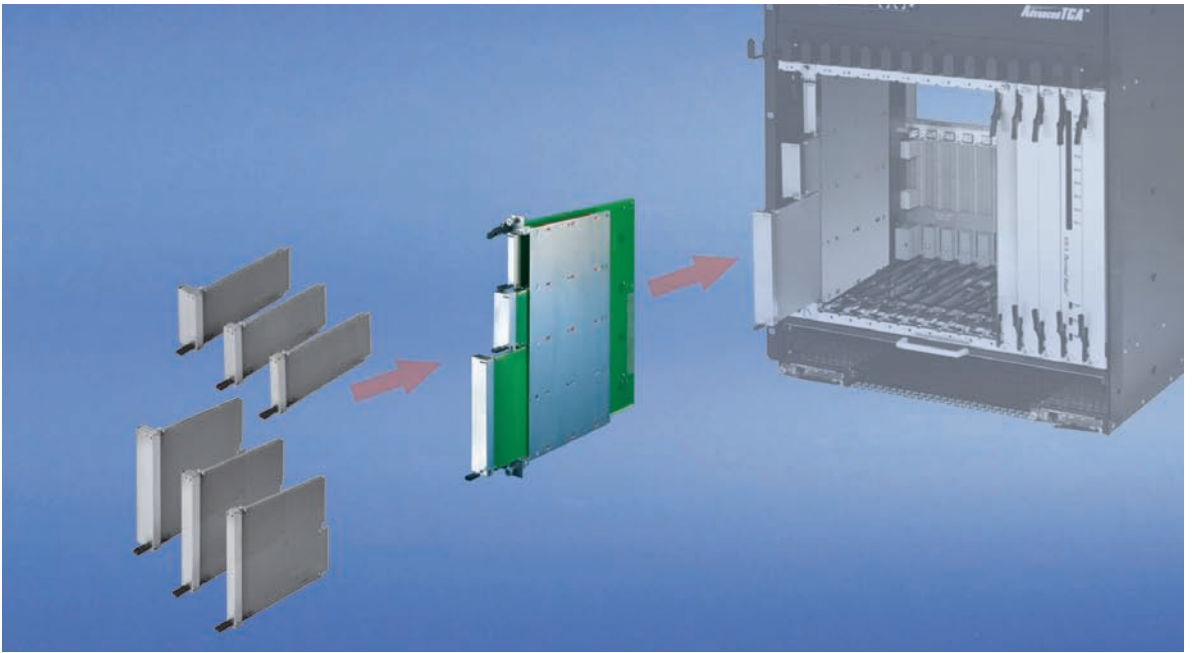
Order Information

Chassis data module	Qty/PU	Part no.
for systems 11592-50x, 11596-30x, 11596-60x	1	21596-023
for systems 11990-10x	1	21990-226

Note

- Download of FRU files: Please enter part number under www.schroff.biz/oneclick/
- AdvancedTCA systems see from page 8.9

Systems - AdvancedMC carriers



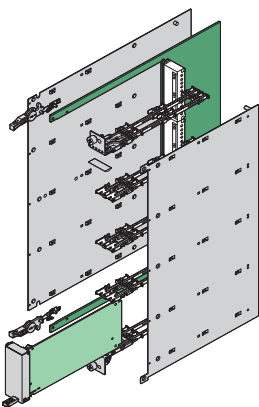
12806028

AdvancedMC carriers

AdvancedMC carriers are plug-in units that are slotted into an AdvancedTCA system. They contain the carrier board that accepts AdvancedMC modules.

Electrical connection to the AdvancedTCA backplane is via connectors. With the fully-assembled AdvancedMC carrier in place, cost-effective additional functions may be integrated into the system.

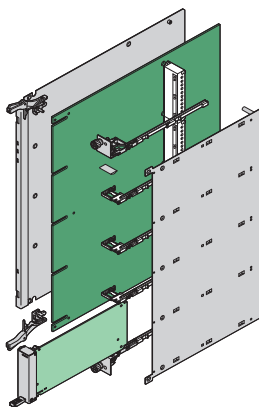
The standard, in accordance with PICMG specification AMC.0 R2.0, defines three different mechanical versions:



12805082

Cutaway carrier

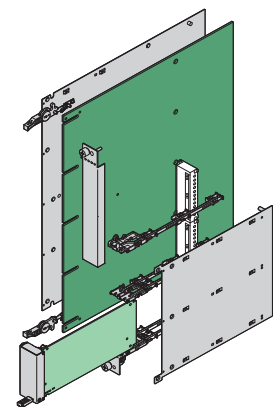
- Carrier board is cut out in the area of the AdvancedMC modules
- Max. placement: 8 single compact or 4 single full-size AdvancedMC modules
- Combinations of full-size and compact modules are possible



12805083

Conventional carrier

- Carrier board runs continuously from front to rear
- Max. placement: 4 single compact or 4 single mid-size AdvancedMC modules



12805081

Hybrid carrier

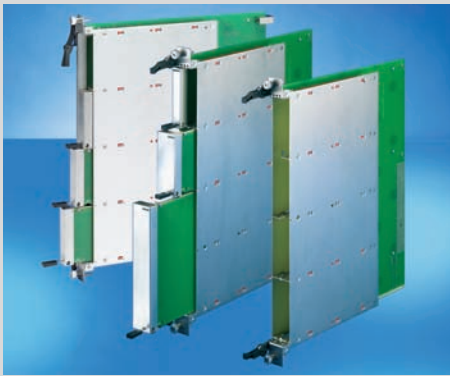
- Carrier board is a combination of conventional and cutaway carrier
- The maximum placement depends on the carrier board design
- Combinations of all AdvancedMC modules are possible



Downloads and further important information can be found on the Internet under www.schroff.biz

AdvancedMC carriers for AdvancedTCA systems

- Cutaway, conventional and hybrid carrier mechanics for
 - compact AdvancedMC carrier boards
 - Mid-size AdvancedMC carrier boards
 - Full-size AdvancedMC carrier boards
- Standard versions from stock
- Individual carrier/module combination of your choice



AdvancedMC carriers

- 1 slot chassis, 8 U, 6 HP for AdvancedTCA systems
- Inserter/extractor handle for microswitch activation
- Versions
 - **Cutaway carrier** for compact and full-size modules
 - **Conventional carrier** for mid-size and compact modules

Cutaway carriers

For compact and full-size modules

Complete kits ... 8.28

Kit without struts, guide rails ... 8.29

Guide rails/struts ... 8.30

Microswitches .. 8.31

Differences between standard and MF handles for AMC carriers ... 8.31



Individual solutions on request

- AdvancedMC hybrid carrier
- AdvancedMC hybrid mechanics for rugged AdvancedMC modules (MicroTCA.1)

Conventional carriers

For mid-size and compact modules

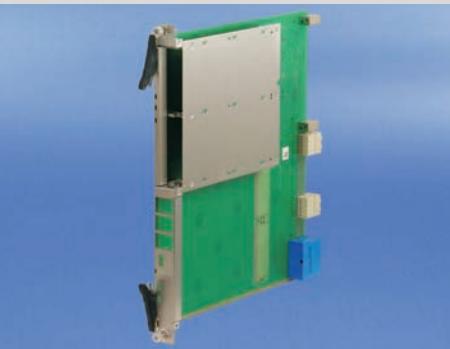
Complete kits ... 8.32

With Southco AdvancedTCA handle ... 8.32

With AdvancedTCA IEA handle ... 8.33

Guide rails/struts ... 8.34

Microswitches .. 8.34



ServicePLUS from page 8.35

- e.g. individual configuration and fitting of hybrid carriers)
- e.g. modifications (cut-outs, special colours)
- e.g. custom solutions (special sizes)

www.schroff.biz/ServicePLUS

ServicePLUS .. 8.35

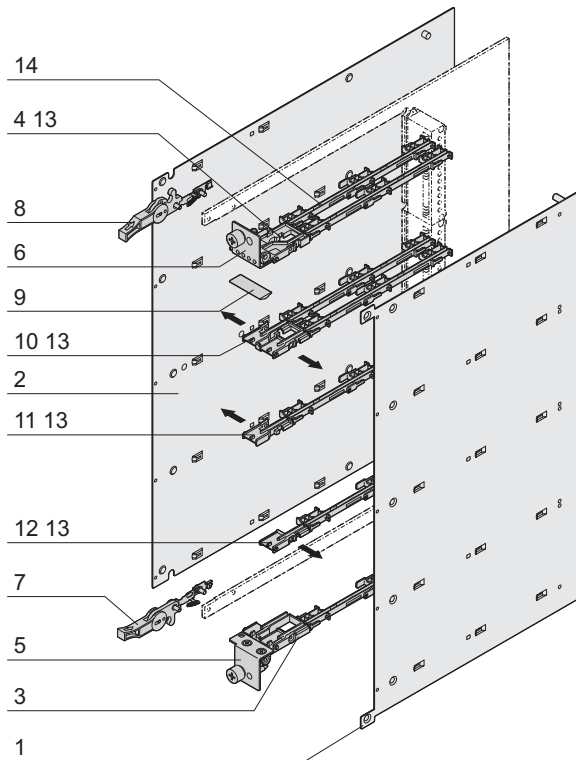
ServicePLUS configuration Hybrid carrier .. 8.35

Systems - AdvancedMC cutaway carrier

Carrier mechanics for compact and full-size AdvancedMC modules



12805002



12807086

- Mechanics for cutaway carrier board (carrier **with** 3 different struts, guide rails, ESD clips)
- Stainless steel (EMC shielded)
- Width 1 slot (6 HP), height 8 U, corresponds to PICMG® AMC.0 R2.0
- Inserter/extractor handle, designed for microswitch activation hot-swap)

Delivery comprises (Kit)

Item	Qty	Description
1	1	Cover plate B (right), stainless steel, brushed, 0.6 mm, inner surface electrically insulated, exterior with protective film
2	1	Cover plate A (left), stainless steel, brushed, 0.6 mm, inner surface electrically insulated, exterior with protective film
3	1	Lower splitting extrusion (strut), Zn die-cast, nickel-plated
4	1	Upper splitting extrusion (strut), Zn die-cast, nickel-plated
5	1	Lower front panel, stainless steel, brushed, 1 mm, alignment pin and retention screws pressed in
6	1	Upper front panel, stainless steel, brushed, 1 mm, alignment pin and retention screws pressed in, with holes for LEDs
7	1	Standard inserter/extractor handle, with microswitch operation, plastic lever, black
8	1	Standard inserter/extractor handle, plastic lever, black
9	1	EMC profile seal, core: foam, sleeve: textile cladding with CuNi coating
10	3	Support member between cover A and B
11	3	Support member for cover A (on the left)
12	3	Support member for cover B (on the right)
13	8	ESD clip
14	10	AdvancedMC guide rail, PBT, UL 94 V-0, red
15	1	Assembly kit

Order Information

Description	Part no.
Carrier mechanics for AdvancedMC compact and full-size modules with struts, ESD clips and guide rails	10849-001
Accessories	
Microswitch, normally closed, for AdvancedMC carrier (compact and full-size modules) for soldering (SMD), PU 10 pieces	20849-236
Microswitch, normally open, for AdvancedMC carrier (compact and full-size modules) for soldering (SMD), PU 10 pieces	20849-235
Description inserter/extractor handle	Page 8.31
Microswitch description	Page 8.31
AdvancedMC module mechanics	Page 8.56



ServicePLUS see page 8.35



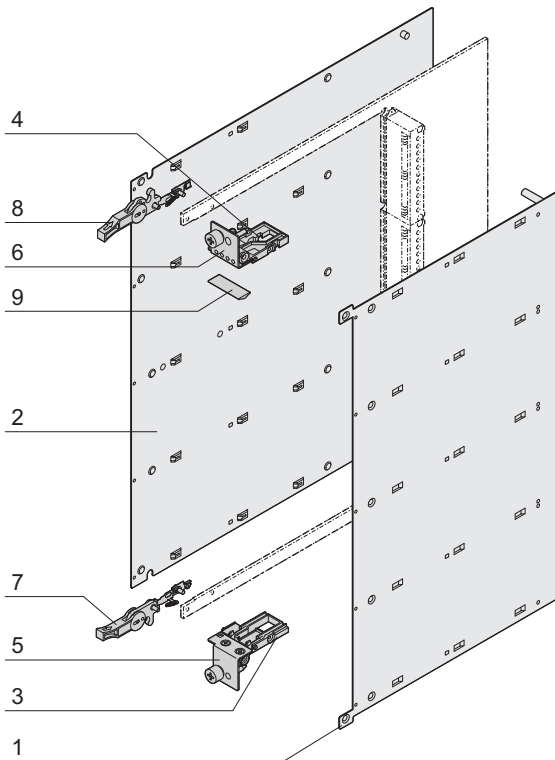
For further information www.schroff.biz/oneclick
oneClick search code = Part no.

Systems - AdvancedMC cutaway carrier

Carrier mechanics for compact and full-size AdvancedMC modules



12807021



12805053

- Mechanics for cutaway carrier board (carrier **without** struts, guide rails, ESD clips, for individual placement)
- Stainless steel (EMC shielded)
- Width 1 slot (6 HP), height 8 U, corresponds to PICMG® AMC.0 R2.0
- Inserter/extractor handle, designed for microswitch activation (hot-swap)

Delivery comprises (Kit)

Item	Qty	Description
1	1	Cover plate B (right), stainless steel, brushed, 0.6 mm, inner surface electrically insulated, exterior with protective film
2	1	Cover plate A (left), stainless steel, brushed, 0.6 mm, inner surface electrically insulated, exterior with protective film
3	1	Lower splitting extrusion (strut), Zn die-cast, nickel-plated
4	1	Upper splitting extrusion (strut), Zn die-cast, nickel-plated
5	1	Lower front panel, stainless steel, brushed, 1 mm, alignment pin and retention screws pressed in
6	1	Upper front panel, stainless steel, brushed, 1 mm, alignment pin and retention screws pressed in, with holes for LEDs
7	1	Standard inserter/extractor handle, with microswitch operation, plastic lever, black
8	1	Standard inserter/extractor handle, plastic lever, black
9	1	EMC profile seal, core: foam, sleeve: textile cladding with CuNi coating
10	1	Assembly kit

Order Information

Description	Part no.
Carrier mechanics for AdvancedMC compact and full-size modules without struts, ESD clips and guide rails	10849-002
Accessories	
Microswitch, normally closed, for AdvancedMC carrier (compact and full-size modules) for soldering (SMD), PU 10 pieces	20849-236
Microswitch, normally open, for AdvancedMC carrier (compact and full-size modules) for soldering (SMD), PU 10 pieces	20849-235
Further struts, ESD clips and guide rails	Page 8.30
Description inserter/extractor handle	Page 8.31
Microswitch description	Page 8.31
AdvancedMC module mechanics	Page 8.56



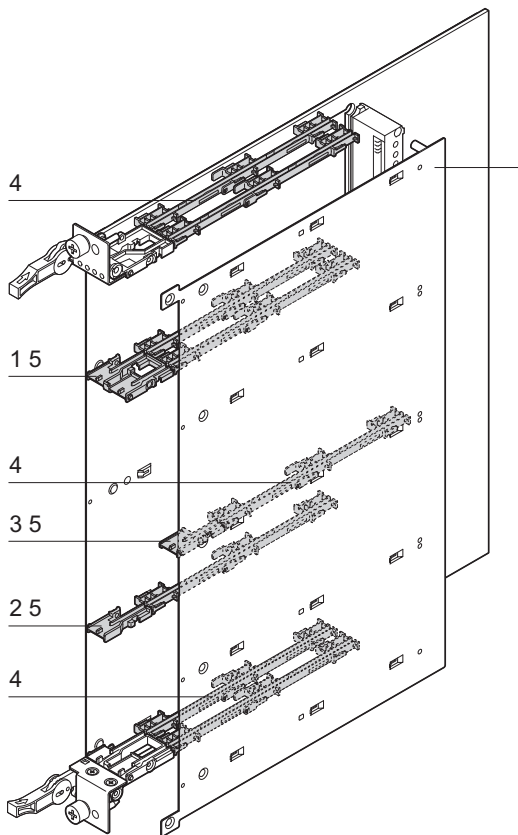
ServicePLUS see page 8.35



For further information www.schroff.biz/oneclick
oneClick search code = Part no.

Systems - AdvancedMC cutaway carrier

Board guides/struts for AdvancedMC compact and full-size modules



- Struts and guide rails are always required to guide boards
- 3 different struts
 - The strut is assembled between the cover plates A and B
 - The strut is assembled on the left of cover plate A
 - The strut is assembled on the right of cover plate B
- The ESD clip pushes into the strut (one per board guide)
- The guide rails clip into the cover plate

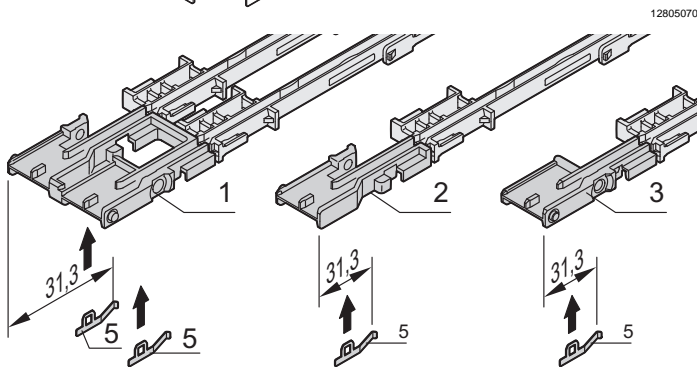
Order Information


Item	Description	Qty/PU	Part no.
1	Strut between cover A (left) and B (right), Zn die-cast, nickel-plated	10	20849-009
2	Splitting extrusion (strut) for cover A (left), Zn die-cast, nickel-plated	10	20849-010
3	Splitting extrusion (strut) for cover B (on the right), Zn die-cast, nickel-plated	10	20849-011
4	AdvancedMC guide rail, PBT, UL 94 V-0, red	10	20849-008
5	ESD clip, stainless spring steel, for deflection of electrostatic charges	50	20849-021

Accessories

Microswitch, normally closed, for AdvancedMC carrier (compact and full-size modules) 20849-236
for soldering (SMD), PU 10 pieces, page 8.31

Microswitch, normally open, for AdvancedMC carrier (compact and full-size modules) 20849-235
for soldering (SMD), PU 10 pieces - page 8.31



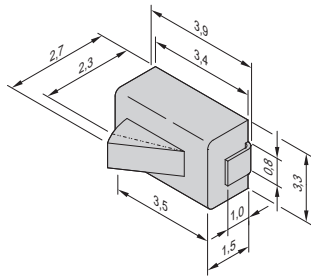
 For further information www.schroff.biz/oneclick
oneClick search code = Part no.



ServicePLUS see page 8.35

Systems - AdvancedMC cutaway carrier

Microswitch for carrier (compact and full-size AdvancedMC modules)



■ Microswitch for soldering (SMD)

Order Information

Description	Qty/PU	Part no.
Microswitch, normally closed , for AdvancedMC carrier (compact and full-size modules)	10	20849-236
Microswitch, normally open , for AdvancedMC carrier (compact and full-size modules)	10	20849-235

12807066

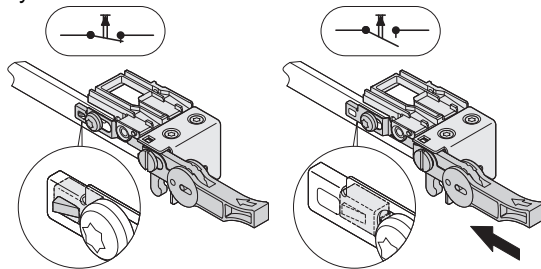
Technical data

Max. switch current	1 mA, 5 V _{DC}
Operating temperature	-15 °C ... +70 °C
Electrical lifespan	10 ⁵ switching cycles



For further information www.schroff.biz/oneclick
oneClick search code = Part no.

"Normally closed"

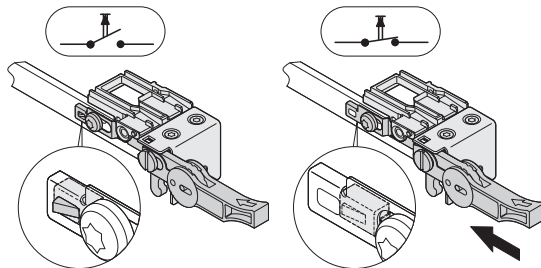


Handle in inoperative position

Handle activated

12807081

Closer



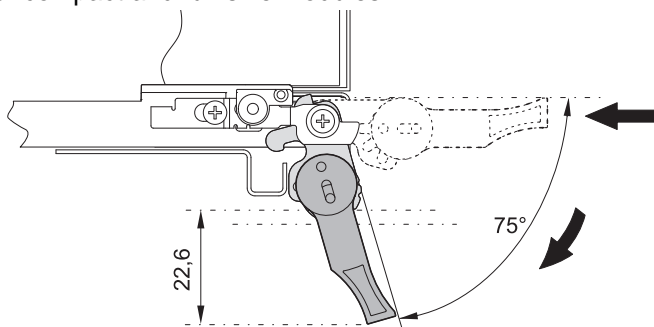
Handle in inoperative position

Handle activated

12807082

Differences between standard and MF handle for AdvancedMC carrier (compact and full-size modules)

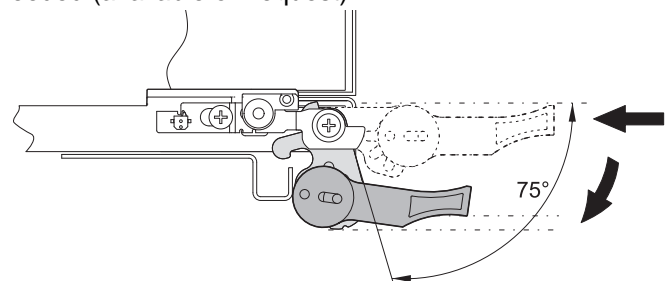
Standard front handle - is included in delivery of carriers for compact and full-size modules



12806063

- Extractor handle 75° opening angle
- Insertion/extraction in one step
- Swing range: 23 mm below and above the pitch line
- Included in delivery of carrier

MF handle - can be exchanged by standard handle if needed (available on request)

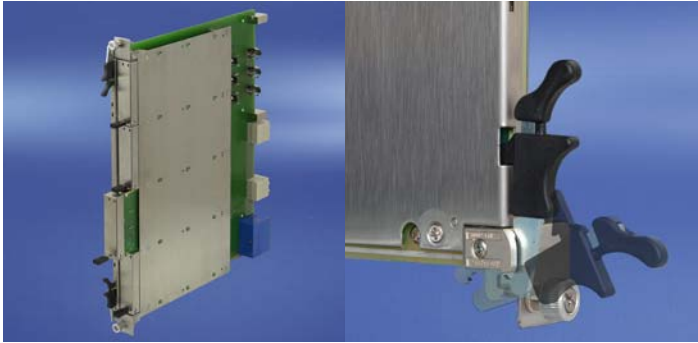


12805072

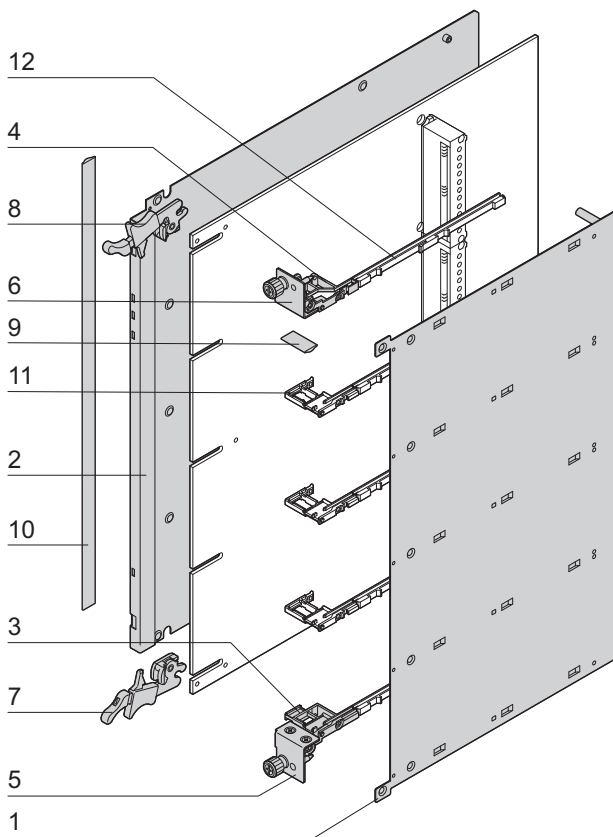
- Extractor handle 75° opening angle
- Insertion/extraction in three steps (2 operations)
- Small swing range (0 mm) below and above the pitch line. The lower respectively upper limit of the carrier is not exceeded during extraction.

Systems - AdvancedMC conventional carrier

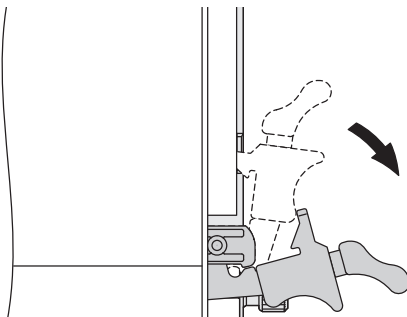
Carrier mechanism for mid-size AdvancedMC modules with AdvancedTCA Southco handle, complete kit



12808003 12808004



12808052



12808053

- Mechanics for conventional carrier, stainless steel (EMC shielded)
- Width 1 slot (6 HP), height 8 U, corresponds to PICMG® AMC.0 R2.0
- AdvancedTCA **Southco** inserter/extractor handle, designed for microswitch activation (hot-swap)
- Carrier mechanics with struts and guide rails for four modules

Delivery comprises (Kit)

Item	Qty	Description
1	1	Cover plate B (right), stainless steel, brushed, 0.6 mm, inner surface electrically insulated, exterior with protective film
2	1	Cover plate A (left), stainless steel, brushed, 0.6 mm, inner surface electrically insulated, exterior with protective film
3	1	Lower splitting extrusion (strut), Zn die-cast, nickel-plated
4	1	Upper splitting extrusion (strut), Zn die-cast, nickel-plated
5	1	Lower front panel, stainless steel, brushed, 1 mm, alignment pin and retention screws pressed in
6	1	Upper front panel, stainless steel, brushed, 1 mm, alignment pin and retention screws pressed in
7	1	Lower AdvancedTCA Southco inserter/extractor handle, with microswitch activation, lever plastic, black
8	1	Upper AdvancedTCA Southco inserter/extractor handle, with microswitch activation, lever plastic, black
9	1	EMC profile seal, core: foam, sleeve: textile cladding with CuNi coating
10	1	EMC profile seal, core: foam, sleeve: textile cladding with CuNi coating
11	3	Splitting extrusion between covers A and B (4 ESD clips)
12	5	AdvancedMC guide rail, PBT, UL 94 V-0, green
13	1	Fixing material kit

Order Information

Description	Part no.
AdvancedMC carrier mechanism for mid-size AdvancedMC modules with Southco AdvancedTCA IEA handle with struts, ESD clips and guide rails	10849-009
Accessories	
Microswitch for carriers (mid-size AdvancedMC modules) normally closed, for soldering (SMD), PU 10 pieces - Page 8.34	20817-853
Microswitch for carriers (mid-size AdvancedMC modules) normally open, for soldering (SMD), PU 10 pieces - Page 8.34	20817-909
AdvancedMC module mechanics	Page 8.56

Note

- Carrier with stronger cover plate A (1 mm) on request
- Carrier for compact AdvancedMC modules on request
- Southco type handle kit on request



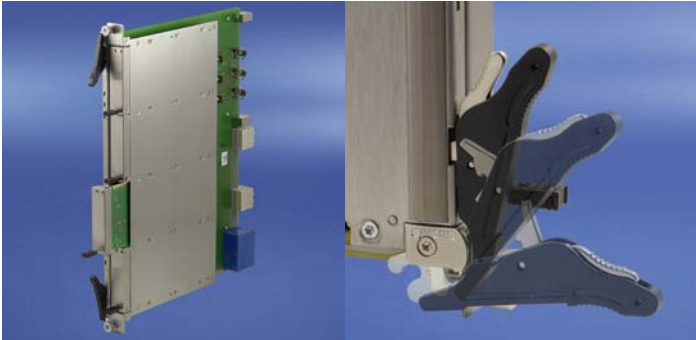
ServicePLUS see page 8.35



For further information www.schroff.biz/oneclick
oneClick search code = Part no.

Systems - AdvancedMC conventional carrier

Carrier mechanism for mid-size AdvancedMC modules with AdvancedTCA IEA handle, complete kit

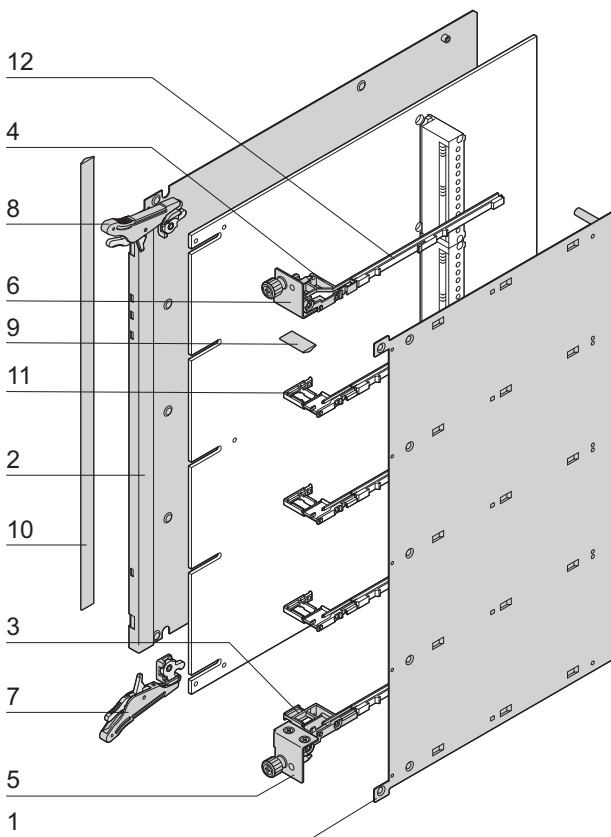


12808001 12808002

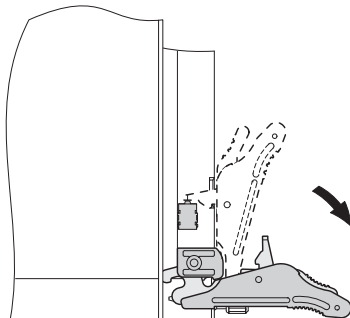
- Mechanics for conventional carrier, stainless steel (EMC shielded)
- Width 1 slot (6 HP), height 8 U, corresponds to PICMG® AMC.0 R2.0
- AdvancedTCA IEA inserter/extractor handle, designed for microswitch activation (hot-swap)
- Carrier mechanics with struts and guide rails for four modules

Delivery comprises (Kit)

Item	Qty	Description
1	1	Cover plate B (right), stainless steel, brushed, 0.6 mm, inner surface electrically insulated, exterior with protective film
2	1	Cover plate A (left), stainless steel, brushed, 0.6 mm, inner surface electrically insulated, exterior with protective film
3	1	Lower splitting extrusion (strut), Zn die-cast, nickel-plated
4	1	Upper splitting extrusion (strut), Zn die-cast, nickel-plated
5	1	Lower front panel, stainless steel, brushed, 1 mm, alignment pin and retention screws pressed in
6	1	Upper front panel, stainless steel, brushed, 1 mm, alignment pin and retention screws pressed in
7	1	Lower AdvancedTCA IEA inserter/extractor handle, with microswitch activation, plastic lever, black
8	1	AdvancedTCA IEA inserter/extractor handle, top, with microswitch activation, lever plastic, black
9	1	EMC profile seal, core: foam, sleeve: textile cladding with CuNi coating
10	1	EMC profile seal, core: foam, sleeve: textile cladding with CuNi coating
11	3	Splitting extrusion between covers A and B (4 ESD clips)
12	5	AdvancedMC guide rail, PBT, UL 94 V-0, green
13	1	Fixing material kit



12808050



12808051

Order Information

Description	Part no.
AdvancedMC carrier mechanism for mid-size AdvancedMC modules with AdvancedTCA IEA handle with struts, ESD clips and guide rails	10849-011

Accessories

Microswitch for carriers (mid-size AdvancedMC modules) normally closed, for soldering (SMD), PU 10 pieces	20817-853
--	-----------

Microswitch for carriers (mid-size AdvancedMC modules) normally open, for soldering (SMD), PU 10 pieces	20817-909
--	-----------

AdvancedMC module mechanics	Page 8.56
------------------------------------	------------------

Note

- Carrier with stronger cover plate A (1 mm) on request
- Carrier for compact AdvancedMC modules on request
- Southco type handle kit on request



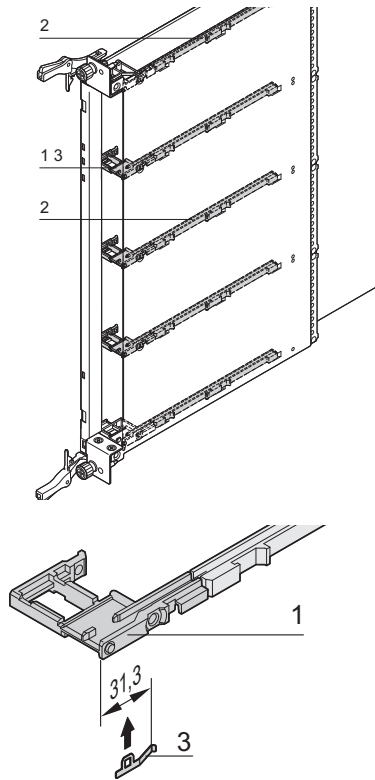
ServicePLUS see page 8.35



For further information www.schroff.biz/oneclick
oneClick search code = Part no.

Systems – AdvancedMC conventional carrier

Board guides/struts for AdvancedMC mid-size modules



12806061



For further information www.schroff.biz/oneclick
oneClick search code = Part no.

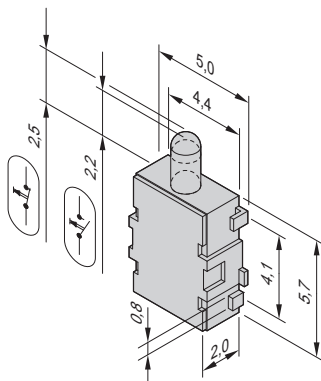
- Struts and guide rails are always required to guide boards
- Strut is assembled between cover plates A and B
- The ESD clip pushes into the strut (one per board guide)
- The guide rails clip into the cover plate

Order Information

Item	Description	Qty/PU	Part no.
1	Strut between cover A (left) and B (right), Zn die-cast, nickel-plated	10	20849-242
2	AdvancedMC guide rail for mid-size carrier, PBT, UL 94 V-0, green	10	20849-166
3	ESD clip, stainless spring steel, for deflection of electrostatic charges	50	20849-021

12806062

Microswitch for carriers (mid-size AdvancedMC modules)



12807071

- Microswitch for soldering (SMD)
- Can be used for all conventional carrier handles

Order Information

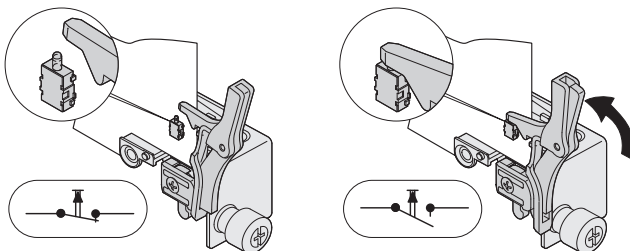
Description	Qty/PU	Part no.
Microswitch (normally closed) for carrier (mid-size AdvancedMC modules)	10	20817-853
Microswitch (normally open) for carrier (mid-size AdvancedMC modules)	10	20817-909

Technical data

Max. switch current	100 mA, 12 V _{DC}
Operating temperature	-20 °C ... +60 °C
Electrical lifespan	5 x 10 ⁵ switching cycles

Opener

Closer



12807079

12807087



For further information www.schroff.biz/oneclick
oneClick search code = Part no.

Systems - AdvancedMC carrier ServicePLUS



modification

Small changes. Large impact.

Custom drillings, cut-outs and special colours for off-the-shelf products

- Mechanical modifications
- Ready to send within 10 working days



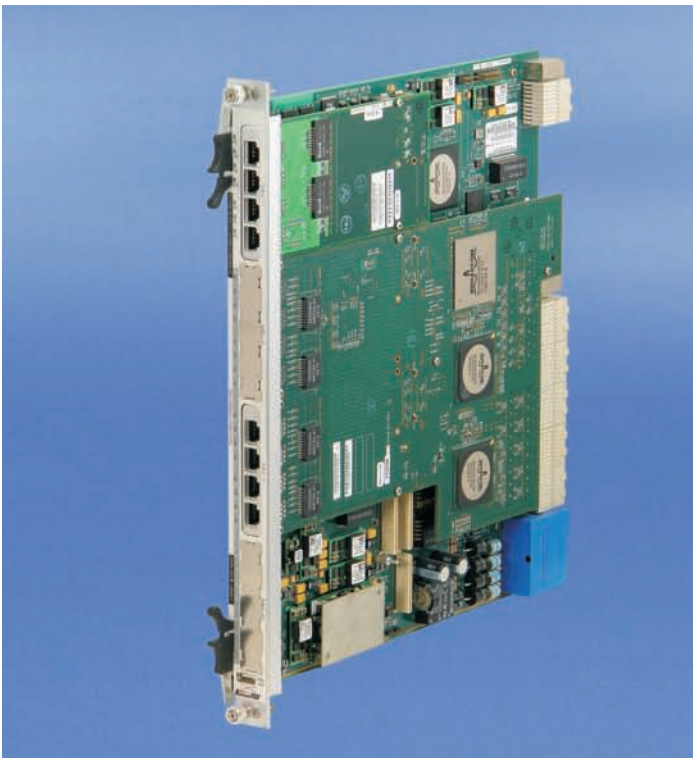
solution

Simple. Fast. From one source.

Integration and custom developments

- Customised complete solutions

ServicePLUS: solution



12812004

AdvancedMC carrier mechanics

- The carrier board is a combination of conventional and cutaway carriers
- Max. placement depends on the design of the carrier board
- Custom versions on request
 - Single/double combinations
 - Handles
 - AdvancedTCA IEA
 - AdvancedTCA Southco

Overview	0
Cabinets	1
Wall mounted cases	2
Accessories for cabinets and wall mounted cases	3
Climate control	4
Desk-top cases	5
Subracks/ 19" chassis	6
Front panels, plug-in units	7
Systems	8
Power supply units	9
Backplanes	10
Connectors, front panel component system	11
Appendix	12

Systems - MicroTCA



12907003

MicroTCA (Micro Telecommunications Computing Architecture)

MicroTCA.0 R1.0 is a modular standard that utilises AdvancedMC modules. These are plugged directly onto the backplane.

In addition to standard systems, modifications and customised solutions, Schroff also offers all components for building systems.

The central unit of a MicroTCA system is the MicroTCA carrier hub (MCH), which performs the carrier and often also shelf management. It also acts as the data switch in the system.

Carrier and shelf management include, among other things, temperature, voltage and air monitoring.

Remote monitoring can be set up via an external Ethernet connection. This allows early detection and remedying of temperature problems. Downtimes are thus reduced.

Applications

Reduced development costs and shorter time-to-market are the advantages of the MicroTCA standard compared to proprietary system solutions, as they can be found increasingly often in telecommunications today.

Among others the advantages over the previous bus systems (VME, CompactPCI busses) are the higher speed, smaller designs and larger flexibility.

MicroTCA is used in areas where faster data transfer rates are required and large data volumes must be processed in the shortest time, e.g. in telecommunications, automation, image processing, medical systems, defence systems etc.

Heat dissipation

MicroTCA defines very high heat dissipation for the AdvancedMC modules.

The maximum heat dissipation for the largest module (double full-size) is determined as 80 W. Cooling is thus a challenge.

MicroTCA systems from Schroff can reliably dissipate this volume of thermal power loss. Special fans have been purpose-developed and create a particularly high static pressure.

In addition, thermal simulations and measurements are performed on Schroff MicroTCA systems to optimise the airflow.


Downloads and further important information can be found on the Internet under www.schroff.biz

Modular MicroTCA high speed systems

- Very wide product range in terms of dimensions, number of slots, cooling principles, backplane topologies
- Modifications to your requests
- Systems for MicroTCA.0, MicroTCA.1 and MicroTCA.4



12911003

MicroTCA.4 systems for test and measurement applications

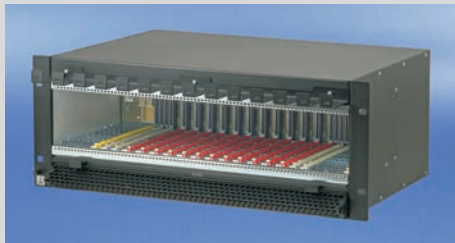
- Cube and 19" systems
- For double mid-size AMC modules
- With rear board cage for rear transition modules
- Cooling units with management controller



12912005

MicroTCA.1 systems for industrial applications

- Cube systems
- For double mid-size AdvancedMC modules
- For harsh environmental conditions
- Cooling units with management controller



12911006

MicroTCA.0 systems for communications applications

- Cube and 19" systems
- For single and double AdvancedMC modules
- Cooling units with management controller



12908004

MicroTCA.0 systems for laboratory applications

- Desk-top enclosures with tip-up feet
- Cube and 19" systems
- Cooling units without management controller



30407004

ServicePLUS from page 8.112

- e.g. individual configuration and assembly
- e.g. modifications (backplanes, power supply)
- e.g. ventilation concepts
- e.g. custom solutions

www.schrock.biz/ServicePLUS

MicroTCA.4 systems for test and measurement applications

- Cube, 5 U, 42 HP, for 7 double modules 8.38
- 9 U, for 12 double modules 8.39

MicroTCA.1 systems for industrial applications

- Cube, 5 U, 42 HP, for 6 single modules 8.40

MicroTCA.0 systems for communications applications

- Cube, 5 U, 30 HP, for 4 single modules 8.41
- 1 U, for 6 single modules 8.42
- 3 U, for 10 single modules 8.43
- 4 U, for 12 single modules 8.44
- 6 U, for 9 single modules 8.45

MicroTCA.0 case systems for laboratory applications

- Cube, 3 U, 30 HP, for 4 single modules 8.46
- 3 U vertical, for 4 single modules 8.47

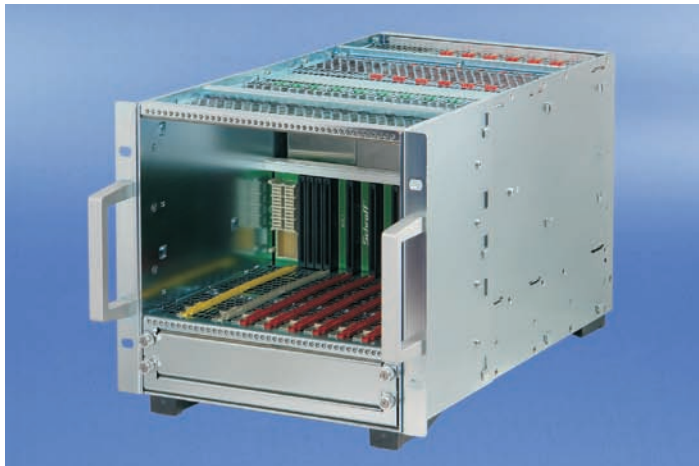
Accessories

- Splitting kit 8.48
- Guide rails 8.49
- Power feeder modules 8.50
- Power supply systems 8.51
- Field replaceable units (FRUs) 8.53

ServicePLUS .. 8.112

Systems - MicroTCA

MicroTCA.4 system, cube, 5 U, 42 HP, for 7 double AdvancedMC modules



Front view

12912001



Rear view

12912004

- In accordance with PICMG MTCA.4 R1.0 specification
- 5 U, 42 HP cube system for
 - 6 double mid-size and 1 double full-size AdvancedMC modules,
 - 1 double full-size MCH and 1 double full-size power module
- 6 rear transition module slots for double mid-size modules and one slot for double full-size
- Backplane with star topology, direct connections for S-ATA/SAS, clock and trigger lines as per PICMG MTCA.4
- Clock topology to PICMG AMC.0 R2.0
- Hot-swap fan module with cooling unit manager (CU EMMC), airflow from bottom to top, fan speed for front and rear sections can be separately adjusted via MCH
- Air filter, exchangeable from front

NEW

Delivery comprises

Item	Qty	Description
1	1	MicroTCA system, 5 U, 42 HP, 373 mm deep, zinc-plated
2	7	Pin position AdvancedMC module, with guide rail, for vertical board mounting
3	1	Backplane with star topology for 7 AdvancedMC modules, 1 MCH and 1 power module
4	1	Hot-swap fan module with cooling unit manager (CU EMMC) and 6 fans
5	1	Air filter, exchangeable from front

Order Information

Height mm	Height U	Width HP	Depth mm	Number of slots	Part no.
222.25	5	42	373	7	11850-021

Accessories

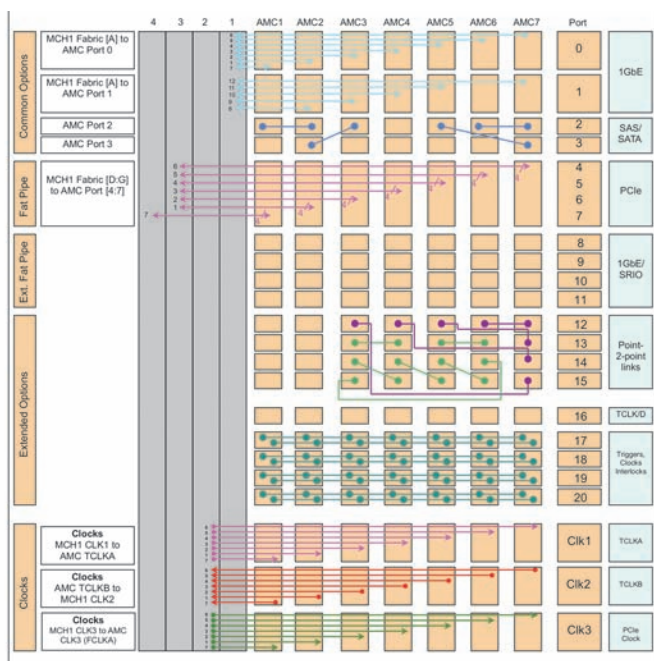
Power module MicroTCA, AC/DC, double full-size, with power management (PM EMMC) 550 W, 1 piece - page 8.52	11098-438
Splitting kit PU 5 pieces	20849-115
PFM, single full-size 12 V _{DC} input, 40 A, with PM EMMC, non-redundant, with reverse polarity and overvoltage protection, 1 piece	21596-571
PFM, single full-size 12 V _{DC} input, 80 A, with PM EMMC, non-redundant, without reverse polarity and overvoltage protection, 1 piece	21596-572
Replacement parts (FRUs)	
Fan tray (21850-113)	Page 8.54
Air filter (21850-116)	Page 8.55

Note

- Modified systems available on request



For further information www.schroff.biz/oneclick
oneClick search code = Part no.



Backplane topology

12912052

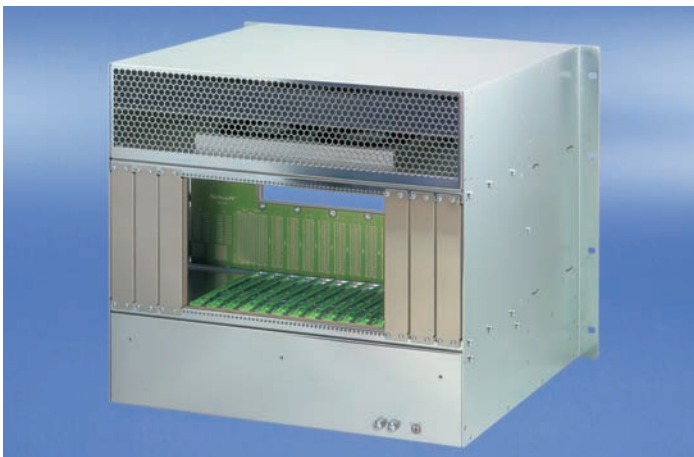
Systems - MicroTCA

MicroTCA.4 system, 9 U, 84 HP, for 12 double mid-size AdvancedMC modules



Front view

12911003



Rear view

12911004

- In accordance with PICMG MTCA.4 R1.0 specification
- 9 U, 84 HP cube system for 12 double mid-size-AdvancedMC modules, 2 double full-size MCHs and 4 double full-size power modules
- 12 rear transition module slots for double mid-size
- Backplane with dual star topology, direct connections for S-ATA/SAS, clock and trigger lines as per PICMG MTCA.4
- Clock topology to PICMG AMC.0 R2.0
- 2 hot-swap fan modules with cooling unit manager (CU EMMC) in push/pull configuration, airflow from front to rear, fan speeds for front and rear sections can be separately adjusted via the MCH

NEW

Delivery comprises

Item	Qty	Description
1	1	MicroTCA system, 9 U, 84 HP, 373 mm deep, zinc-plated
2	12	Pin position AdvancedMC module, with guide rail, for vertical board mounting
3	1	Backplane with dual star topology for 12 AdvancedMC modules, 2 MCHs and 4 power modules
4	2	Hot-swap fan module with cooling unit manager (CU EMMC) and 4 fans;
5	1	Air filter, exchangeable from front

Order Information

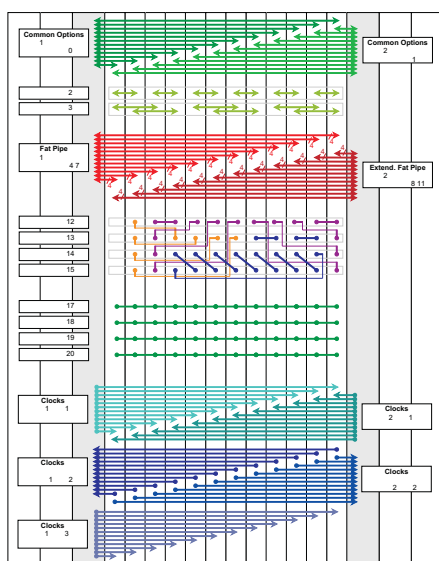
Height mm	Height U	Width HP	Depth mm	Number of slots	Part no.
400.05	9	84	373	12	11890-035

Accessories

Power module MicroTCA, AC/DC, double full-size, with power management (PM EMMC) 550 W, 1 piece - page 8.52	11098-438
Splitting kit PU 5 pieces	20849-115
PFM, single full-size 12 V _{DC} input, 40 A, with PM EMMC, non-redundant, with reverse polarity and overvoltage protection, 1 piece	21596-571
PFM, single full-size 12 V _{DC} input, 80 A, with PM EMMC, non-redundant, without reverse polarity and overvoltage protection, 1 piece	21596-572

Replacement parts (FRUs)

Fan tray (21850-115)	Page 8.55
Air filter (21850-117)	Page 8.55



Backplane topology

12611050



ServicePLUS see page 8.112

Systems - MicroTCA

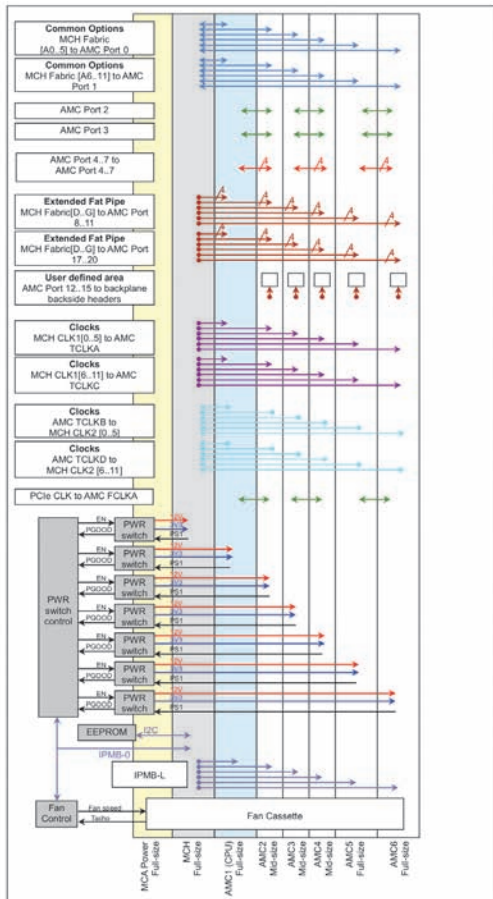
MicroTCA.1 systems, cube, 5 U, 42 HP, for 6 double AdvancedMC modules



12912005

- In accordance with PICMG MTCA.1 R1.0 specification
- 5 U, 42 HP cube system for
 - 3 double mid-size, 3 double full-size AdvancedMC modules,
 - 1 double full-size MCH and 1 double full-size PSU slot
- Backplane with star topology, direct connections for S-ATA/SAS
- Clock topology to PICMG AMC.0 R2.0
- Hot-swap fan module with cooling unit manager (CU EMMC), airflow from bottom to top
- Air filter, exchangeable from front
- Pluggable 300 W PSU with AC mains input in double full-size format, MicroTCA power management (PM EMMC) on backplane

NEW



12912051

Backplane topology



ServicePLUS see page 8.112

Delivery comprises

Item	Qty	Description
1	1	MicroTCA cube, 5 U, 42 HP, 216.5 mm deep, zinc-plated
2	6	Pin position AdvancedMC module, with guide rail, for vertical board mounting
3	1	Backplane with star topology for 6 AdvancedMC modules, 1 MCH and 1 PSU
4	1	Hot-swap fan module with cooling unit manager (CU EMMC) and 4 fans
5	1	Air filter, exchangeable from front
6	1	Pluggable PSU, 300 W, double full-size format

Order Information

Height mm	Height U	Width HP	Depth mm	Number of slots	Part no.
222.35	5	42	373	6	11850-020

Accessories

Power module MicroTCA, AC/DC, double full-size, without management 550 W, 1 piece - page 8.51	11098-416
Power module MicroTCA, AC/DC, double full-size, without management 300 W, 1 piece - page 8.51	11098-392
Splitting kit PU 5 pieces	20849-115
AdvancedMC front panels	Page 8.60
AdvancedMC filler panels	Page 8.64
Equipment cables	Page 3.38
Replacement parts (FRUs)	
Fan tray (21850-114)	Page 8.54
Air filter (21850-120)	Page 8.55

Note

- Modified systems available on request



For further information www.schroff.biz/oneclick
oneClick search code = Part no.

Systems - MicroTCA

MicroTCA.0 system, cube, 3 U, 30 HP, for 4 single full-size AdvancedMC modules



- In accordance with PICMG MTCA.0 R1.0 specification
- Cube systems for wall mounting
4 single full-size AdvancedMC modules and 1 single full-size MCH
- Backplane with star topology, direct connections for S-ATA/SAS
- Clock topology to PICMG AMC.0 R2.0
- Power supply via 250 W open-frame PSU, mains supply via IEC plug on rear, switching logic for individual slots on backplane

NEW

Delivery comprises

Item	Qty	Description
1	1	MicroTCA system, cube, 3 U, 30 HP, 250 mm deep
2	4	Pin position AdvancedMC module, with guide rail, for vertical board mounting
3	1	Backplane with star topology for 4 AdvancedMC modules and 1 MCH
4	2	Fan for forced ventilation of slots
5	1	250 W open-frame PSU and IEC mains inlet with switch and fuse; power switching to slots via power management board
6	1	Power management board for 21850-046 and 21850-081

Order Information

Height	Width	Depth	Number of slots	Part no.
U	HP	mm		
3	30	250	4	21850-046

Accessories

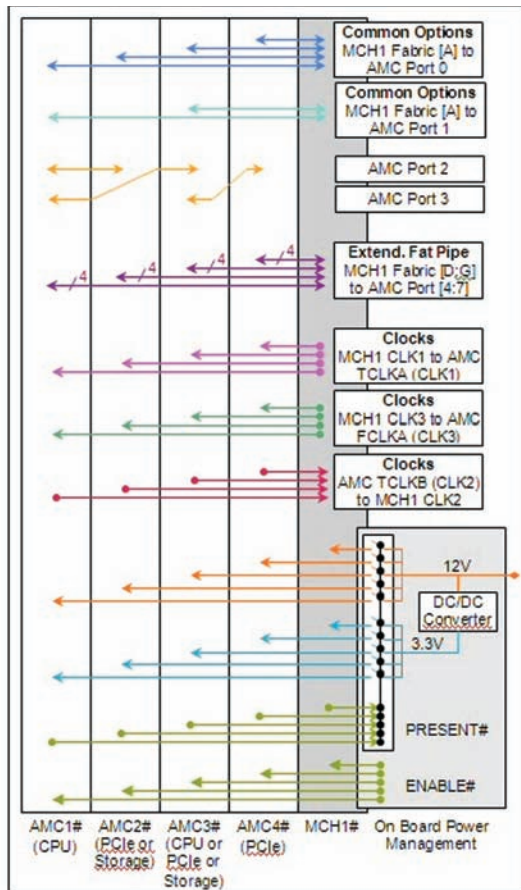
AdvancedMC front panels	Page 8.60
AdvancedMC filler panels	Page 8.64

Note

- Modified systems available on request



For further information www.schroff.biz/oneclick
oneClick search code = Part no.



Backplane topology



Systems - MicroTCA

MicroTCA.0 system, 1 U, 84 HP,
for 6 single mid-size AdvancedMC modules



12909004

- In accordance with PICMG MTCA.0 R1.0 specification
- 1 U, 19" subrack system for 6 single mid-size AdvancedMC modules, 1 single full-size MCH
- AC mains input (100 ... 240 V_{AC}) on rear of case, 250 W PSU built in, power management (PM EMMC) on backplane
- Backplane with star topology, direct connections for S-ATA / SAS
- Clock topology to PICMG AMC.0 R2.0, PCIe clock (MLVDS) generation on the backplane
- Hot-swap fan module with cooling unit manager (CU EMMC), airflow from right to left
- Air filter, swappable from front

NEW

Delivery comprises (completely assembled, wired and tested)

Item	Qty	Description
1	1	MicroTCA system, 1 U, 84 HP, 301 mm deep, powder-coated, black, RAL 9005
2	6	Pin position AdvancedMC module, with guide rail, for horizontal board mounting
3	1	Backplane with star topology for 6 AdvancedMC modules and 1 MCH
4	1	Hot-swap fan module with cooling unit manager (CU EMMC) and 5 fans;
5	1	Air filter, exchangeable from front
6	1	250 W open frame PSU and power management (PM EMMC) on backplane

Order Information

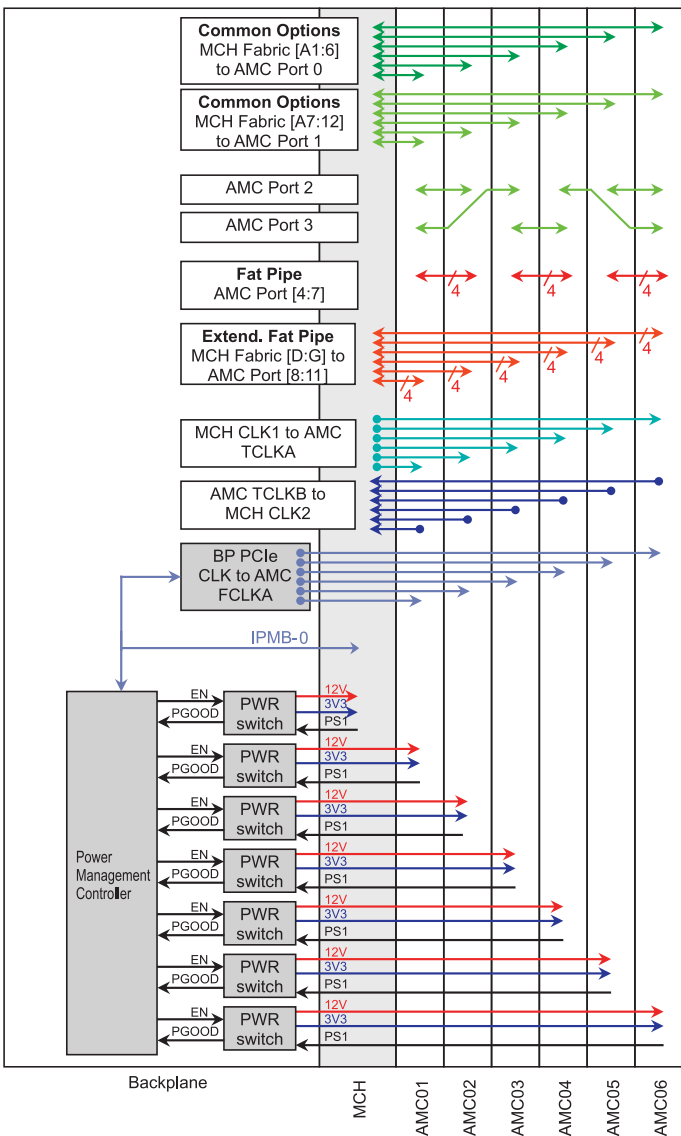
Height mm	Height U	Width HP	Depth mm	Number of slots	Part no.
44.45	1	84	301	6	11850-017

Accessories

AdvancedMC front panels	Page 8.60
AdvancedMC filler panels	Page 8.64
Equipment cables	Page 3.38

Replacement parts (FRUs)

Fan tray (21850-095)	Page 8.53
Air filter (21850-118)	Page 8.55



12909053

Backplane topology



ServicePLUS see page 8.112



For further information www.schroff.biz/oneclick
oneClick search code = Part no.

Systems - MicroTCA

MicroTCA.0 system, 3 U, 84 HP,
for 10 single full-size AdvancedMC modules

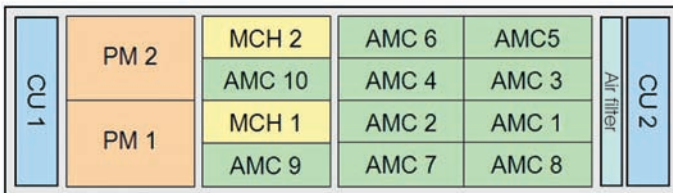


12908003

- In accordance with PICMG MTCA.0 R1.0 specification
- 3 U, 19" subrack system for
10 single full-size AdvancedMC modules,
2 single full-size MCHs and 2 power modules with up to
12 HP width
- Instead of 8 single full-size AdvancedMC modules, the right-hand board cage can be used for 4 double full-size modules
- Backplane with dual star topology, direct connections for S-ATA/SAS
- Clock topology to PICMG AMC.0 R2.0
- Two hot-swap fan modules in push/pull configuration, each with cooling unit manager (CU EMMC), airflow from right to left
- Air filter, exchangeable from front, with presence signal

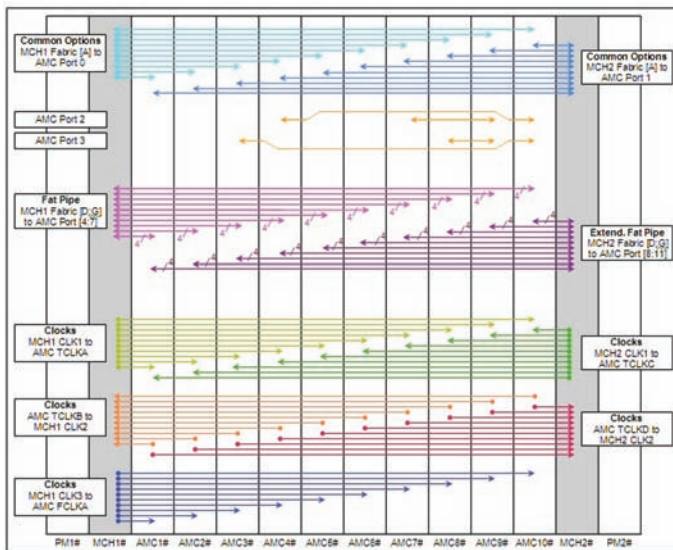
Delivery comprises

Item	Qty	Description
1	1	MicroTCA system, 3 U, 84 HP, 216 mm deep, powder-coated, black, RAL 9005
2	10	Pin position AdvancedMC module, with guide rail, for horizontal board mounting
3	1	Backplane with dual-star topology for 10 AdvancedMC modules, 2 MCHs and 2 power modules
4	2	Hot-swap fan unit with cooling unit manager (CU EMMC) and 1 fan;
5	1	Air filter, exchangeable from front
6	4	Splitting kit



12907050

Slot allocation



12907051

Backplane topology

Order Information

Height mm	Height U	Width HP	Depth mm	Number of slots	Part no.
133.35	3	84	216	10	11850-011

Accessories

PFM, single full-size 12 V _{DC} input, 40 A, with PM EMMC, non-redundant, with reverse polarity and overvoltage protection, 1 piece	21596-571
PFM, single full-size 12 V _{DC} input, 80 A, with PM EMMC, non-redundant, without reverse polarity and overvoltage protection, 1 piece	21596-572
AdvancedMC front panels	Page 8.60
AdvancedMC filler panels	Page 8.64
Replacement parts (FRUs)	
Fan tray (21850-038)	Page 8.53
Air filter (21850-034)	Page 8.55

Note

- For description of the power supply module see page 8.50
- Replacement parts (FRUs) see from page 8.53
- User manual: Please enter order number at www.schroff.biz/oneclick



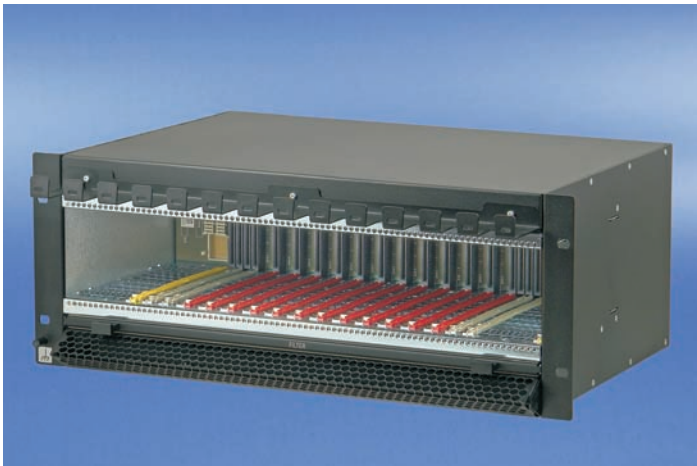
ServicePLUS see page 8.112



For further information www.schroff.biz/oneclick
oneClick search code = Part no.

Systems - MicroTCA

MicroTCA.0 system, 4 U, 84 HP, for 12 single mid-size AdvancedMC modules



12911006

- In accordance with PICMG MTCA.0 R1.0 specification
- 4 U, 19" subrack system for 12 single mid-size AdvancedMC modules, 2 single full-size MCHs and 2 power modules with up to 12 HP width
- Backplane with dual star topology, direct connections for S-ATA/SAS
- Clock topology to PICMG AMC.0 R2.0
- Two hot-swap fan modules on rear of case, each with cooling unit manager (CU EMMC), airflow from bottom front to rear
- Air filter, exchangeable from front, with presence signal

NEW

Delivery comprises

Item	Qty	Description
1	1	MicroTCA system, 4 U, 84 HP, 296 mm deep, powder-coated, black, RAL 9005
2	12	Pin position AdvancedMC module, with guide rail, for vertical board mounting
3	1	Backplane with dual-star topology for 12 AdvancedMC modules, 2 MCHs and 2 power modules
4	2	Hot-swap fan module with cooling unit manager (CU EMMC) and 2 fans
5	1	Air filter, exchangeable from front
6	1	Cable channel

Order Information

Height mm	Height U	Width HP	Depth mm	Number of slots	Part no.
177.8	4	84	296	12	11850-018

Accessories

PFM, single full-size 12 V_{DC} input, 40 A, with PM EMMC, non-redundant, with reverse polarity and overvoltage protection, 1 piece **21596-571**

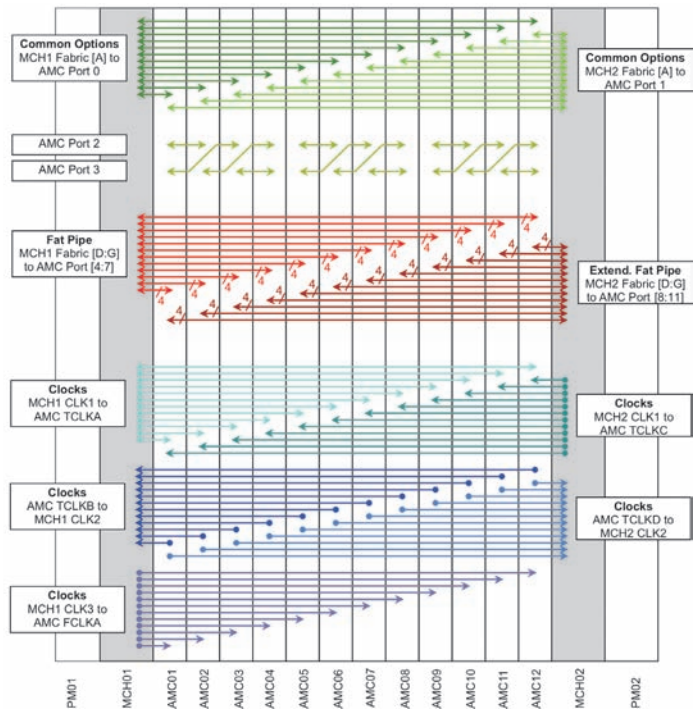
PFM, single full-size 12 V_{DC} input, 80 A, with PM EMMC, non-redundant, without reverse polarity and overvoltage protection, 1 piece **21596-572**

AdvancedMC front panels **Page 8.60**

AdvancedMC filler panels **Page 8.64**

Replacement parts (FRUs)

Fan tray (21850-112)	Page 8.53
Air filter (21850-119)	Page 8.55



12911050

Backplane topology



ServicePLUS see page 8.112



For further information www.schroff.biz/oneclick
oneClick search code = Part no.

Systems - MicroTCA

MicroTCA.0 systems, 6 U, 84 HP, for 9 single full-size AdvancedMC modules

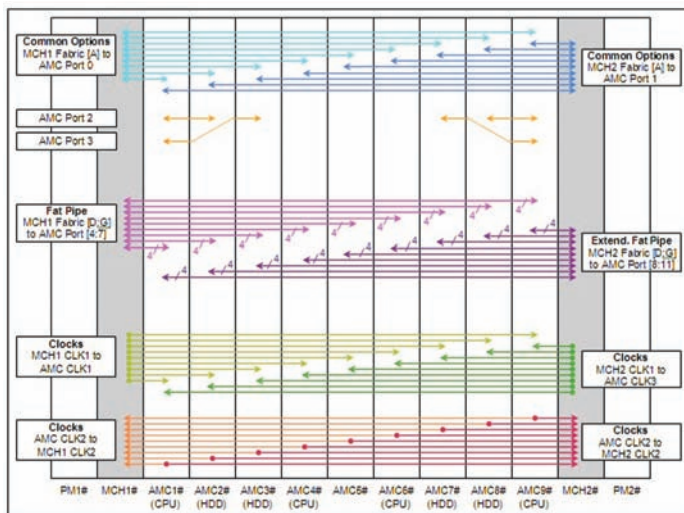


12907014

- In accordance with PICMG MTCA.0 R1.0 specification
- 6 U, 19" subrack system for 9 single full-size AdvancedMC modules, 2 single full-size MCHs and 2 power modules with up to 9 HP width
- Backplane with dual star topology, direct connections for S-ATA/SAS
- Clock topology to PICMG AMC.0 R1.0
- Two hot-swap fan modules in push/pull configuration, each with cooling unit manager (CU EMMC), airflow from bottom front to rear top
- Air filter, exchangeable from front, with presence signal

Delivery comprises

Item	Qty	Description
1	1	MicroTCA system, 6 U, 84 HP, 197 mm deep, powder-coated, black, RAL 9005
2	9	Pin position AdvancedMC module, with guide rail, for vertical board mounting
3	1	Backplane with dual-star topology for 9 AdvancedMC modules, 2 MCHs and 2 power modules
4	2	Hot-swap fan unit with cooling unit manager (CU EMMC) and 2 fans; lower fan unit with interface and display for Telco alarms
5	1	Air filter, exchangeable from front
6	1	Cable channel



12806805

Backplane topology



ServicePLUS see page 8.112

Order Information

Height mm	Height U	Width HP	Depth mm	Number of slots	Part no.
266.7	6	84	197	9	10849-005

Accessories

PFM, single full-size 12 V_{DC} input, 40 A, with PM EMMC, non-redundant, with reverse polarity and overvoltage protection, 1 piece	21596-571
PFM, single full-size 12 V_{DC} input, 80 A, with PM EMMC, non-redundant, without reverse polarity and overvoltage protection, 1 piece	21596-572
AdvancedMC front panels	Page 8.60
AdvancedMC filler panels	Page 8.64
Replacement parts (FRUs)	
Fan tray (21850-036)	Page 8.54
Air filter (21850-033)	Page 8.54

Note

- For description of the power supply module see page 8.50
- Replacement parts (FRUs) see from page 8.53
- User manual: Please enter order number at www.schroff.biz/oneclick



For further information www.schroff.biz/oneclick
oneClick search code = Part no.

Systems - MicroTCA

MicroTCA.0 case systems,
cube, 3 U, 30 HP,
for 4 single full-size AdvancedMC modules



12907010

- In accordance with PICMG MTCA.0 R1.0 specification
- Cube case system with tip-up feet for 4 single full-size AdvancedMC modules and 1 single full-size MCH
- Backplane with star topology, direct connections for S-ATA/SAS
- Clock topology to PICMG AMC.0 R2.0
- Power supply via 250 W open-frame PSU, mains supply via IEC plug on rear, switching logic for individual slots on backplane

NEW

Delivery comprises

Item	Qty	Description
1	1	MicroTCA case system with tip-up feet, cube, (ratiopacPRO case)
2	4	Pin position AdvancedMC module, with guide rail, for vertical board mounting
3	1	Backplane with star topology for 4 AdvancedMC modules and 1 MCH
4	3	Fan for forced ventilation of slots
5	1	250 W open-frame PSU and IEC mains inlet with switch and fuse
6	1	Power management board on 21850-081

Order Information

Description	Height U	Width HP	Depth mm	Number of slots	Part no.
Case system, power switching to slots via presence signal	3	30	316	4	21850-045
Case system, power switching to slots via power management board	3	30	316	4	21850-081

Accessories

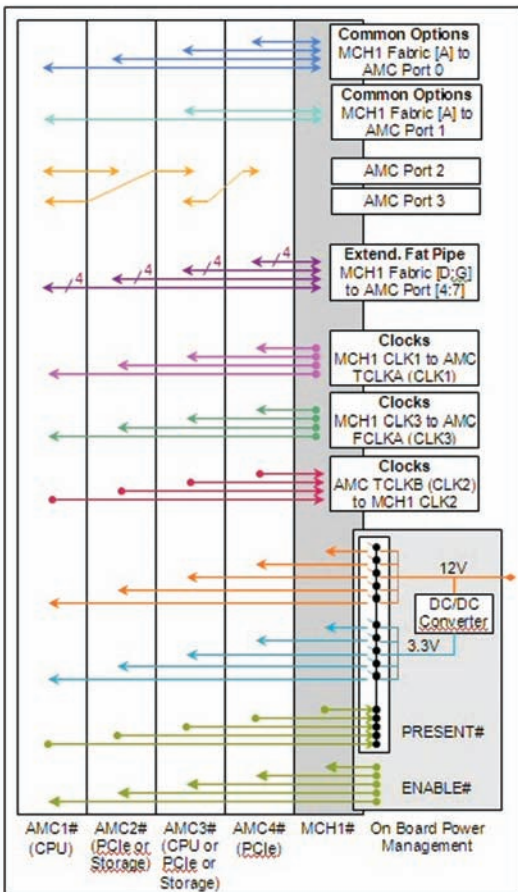
AdvancedMC front panels	Page 8.60
AdvancedMC filler panels	Page 8.64

Note

- Modified systems available on request



For further information www.schroff.biz/oneclick
oneClick search code = Part no.



12907053

Backplane topology



ServicePLUS see page 8.112

Systems - MicroTCA

MicroTCA.0 case system, 3 U, 84 HP, for 4 single AdvancedMC modules



- Evaluation system for AdvancedMC modules
- 19" desktop case system with tip-up feet for 4 single AdvancedMC modules (12 HP)
- Backplane with direct connections and headers on rear of backplane to connect external measuring equipment
- Case top cover and top board cage plate are easily removable (good access to the modules)
- Active heat dissipation, 2 fans (29 m³/h, 17 cfm) per slot
- Power supply via 400 W ATX PSU, mains supply via IEC plug on front

Delivery comprises

Item	Qty	Description
1	1	MicroTCA case system
2	4	Pin position AdvancedMC module, with guide rail, for vertical board mounting
3	1	Backplane with direct connections for 4 AdvancedMC-modules
4	8	Fan for forced ventilation of slots
5	1	400 W ATX PSU and IEC mains input with switch

Order Information

Height mm	Height U	Width HP	Depth mm	Number of slots	Part no.
132.5	3	84	316	4	11850-013

Accessories

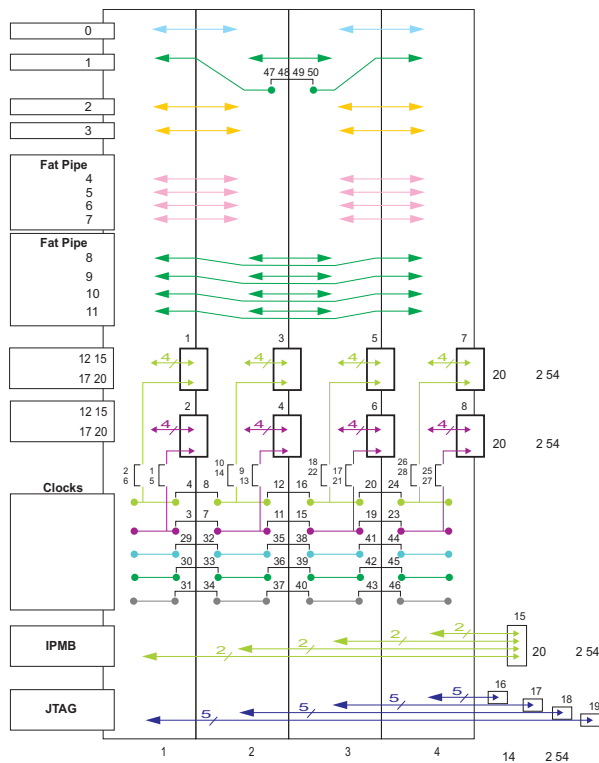
AdvancedMC front panels	Page 8.60
AdvancedMC filler panels	Page 8.64

Note

- User manual: Please enter order number at www.schroff.biz/oneclick



For further information www.schroff.biz/oneclick
oneClick search code = Part no.



Backplane topology



ServicePLUS see page 8.112

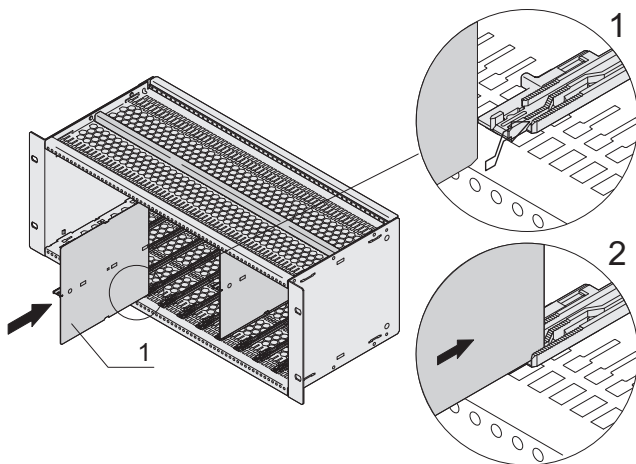
Systems - MicroTCA

Accessories and field replaceable units (FRUs)

Field replaceable unit (FRU) designates system components that can be replaced on site. This reduces system downtime to a minimum. Schroff offers various FRU components for AdvancedTCA systems:

- Splitting kit, see page 8.48
- MicroTCA guide rails, see page 8.49
- Power feed-through modules, see page 8.50
- PSUs (AC/DC, double full-size) with and without management, see from page 8.51
- Fan modules, see from page 8.53
- Air filters, see page 8.55

Splitting kit



12912050

- For fitting 2 single AdvancedMC modules one above the other in one double AdvancedMC slot
- Splitting kit is inserted into the appropriate receptacle of the Schroff MicroTCA guide rail and locks into the appropriate stud of the guide rail
- With the use of the splitting kit, no slots are lost

Delivery comprises

Item	Qty	Description
1	1	Stainless steel, chassis to accommodate a guide rail
2	1	Guide rail, AdvancedMC
3	1	Splitting extrusion, centre
4	1	ESD contact spring
5	1	Fixing material kit, user manual

Order Information

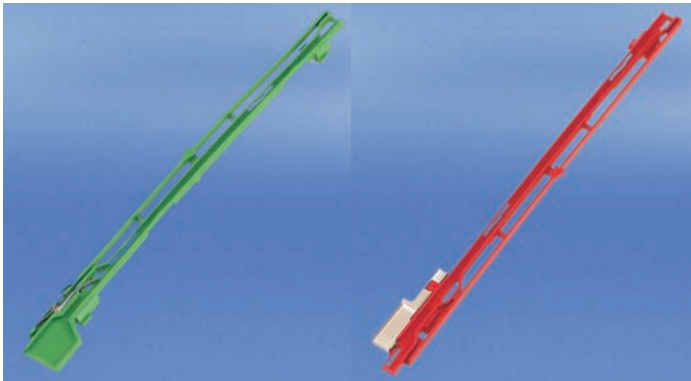
Description	Part no.
Splitting kit, PU 5 pieces	20849-115



For further information www.schroff.biz/oneclick
oneClick search code = Part no.

Systems - MicroTCA

MicroTCA guide rails

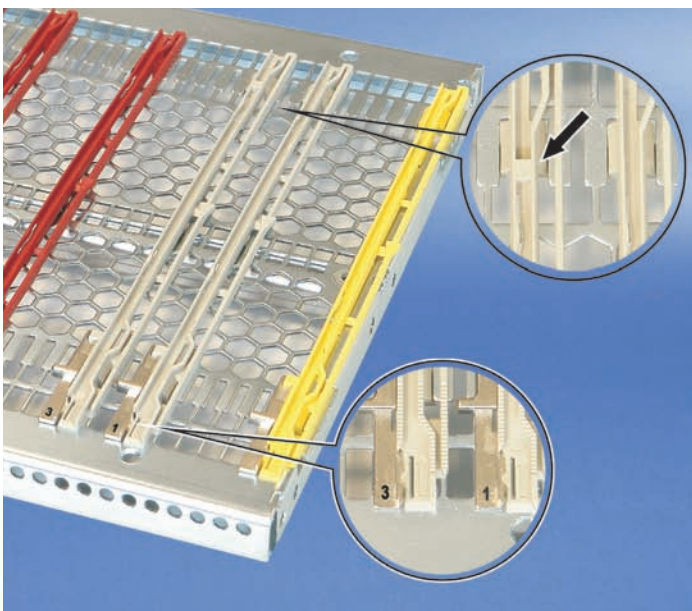


top (green)

12807022

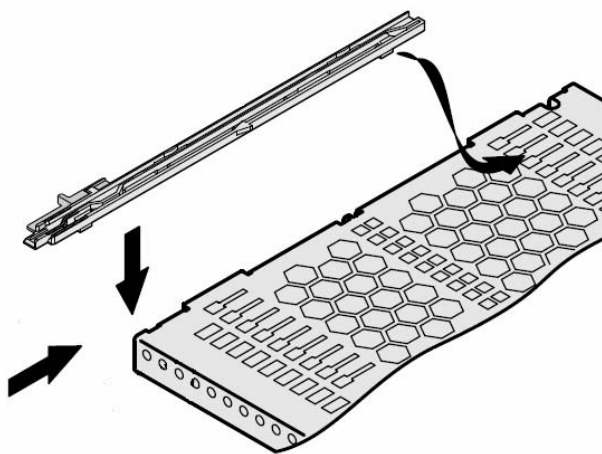
bottom (red)

12807023



Guide rails bottom, grey, for guide rails of 6 HP wide (full-size) MicroTCA carrier hubs

12807011



12807059

- Easy installation without tools in 1 HP grid; the minimum distance between two guide rails is 3 HP (compact)

Order Information

Description	Qty/PU	Part no.
Guide rail, top, green, with ESD clip; for all modules	10	20849-200
Guide rail, top, green, with ESD clip; for all modules	100	20849-201
Guide rail bottom, red; for AdvancedMC function modules	10	20849-194
Guide rail bottom, red; for AdvancedMC function modules	100	20849-195
Guide rail bottom, yellow; for power supplies	10	20849-196
Guide rail bottom, yellow; for power supplies	100	20849-197
Guide rail bottom, grey; for left-hand guide rail of a 6 HP wide MicroTCA carrier hub (designation 3)	10	20849-202
Guide rail bottom, grey; for right-hand guide rail of a 6 HP wide MicroTCA carrier hub (designation 1)	10	20849-198
Guide rail bottom, grey; for right-hand guide rail of a 6 HP wide MicroTCA carrier hub (designation 1)	100	20849-199

Note

- CAD data: please enter part number under www.schroff.biz/oneclick/



For further information www.schroff.biz/oneclick/
oneClick search code = Part no.

Systems - MicroTCA

MicroTCA power feeder modules, single full-size



Photo shows 21596-571

12812006

- Infeed of +12 V_{DC} supply voltage from an external source via D-Sub plug to 16 x 12 V_{DC} outputs to MicroTCA backplane
- Generation of +3.3 V_{DC} management voltage and distribution to 16 outputs
- Used in the power module slot (single full-size) instead of a MicroTCA power module, plug and form factor compatible
- 2 versions
 - With power management (PM EMMC), with protection against overvoltage and polarity reversal of input voltage, 5-pin D-Sub input plug
 - With power management (PM EMMC), no protection against overvoltage or polarity reversal of input voltage, 5-pin D-Sub input plug

Delivery comprises

Item	Qty	Description
1	1	Power feeder module, single full-size
2	1	Power management mezzanine board

Order Information

MicroTCA power feeder, single full-size	Part no.
With power management with overvoltage protection	21596-571
With power management without overvoltage protection	21596-572

Accessories

Connection cable for power feeder module, 5-pin D-Sub 5W5 (-48 V _{DC}) on M5 ring terminal, cable length 1.8 m, 1 piece	23204-835
---	-----------



For further information www.schroff.biz/oneclick
oneClick search code = Part no.

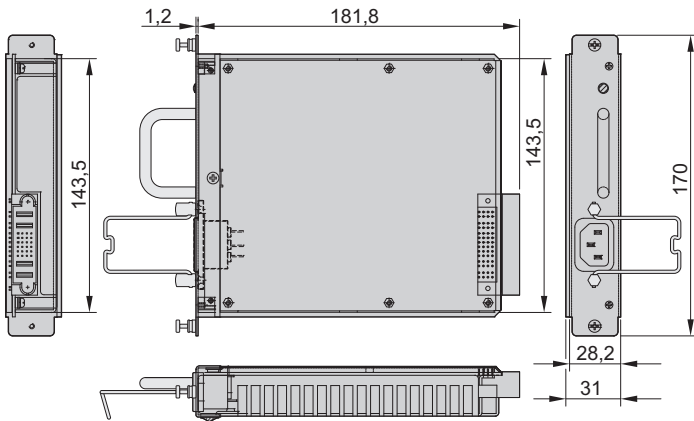
Systems – MicroTCA

AC/DC, double full-size,
without management



Photo shows 11098-392

11309004



11312050

- Wide input voltage range 90 ... 264 V_{AC}
- Active power factor correction
- Construction compatible with AdvancedMC double full-size
- Single-wire current share cable for redundancy operation
- 2 output voltages, 12 V and 3.3 V
- Corresponds to EMC class B as per EN 55022
- Without MicroTCA power management controller
- Mains input at front

NEW

Delivery comprises

Qty	Description
1	PSU for MicroTCA height double (148.3 mm) width full-size (6 HP) depth 186.65 mm connector Molex SSI front panel with handle and EMC gasket (fitted)

Order Information

Voltage V	Current A	Power W	Description	Part no.
V ₁ : 12 V ₂ : 3.3	I ₁ : 25 I ₂ : 3	300	MCA 300 AC	11098-392
V ₁ : 12 V ₂ : 3.3	I ₁ : 45.8 I ₂ : 3	550	MCA 550 AC	11098-416

Note

- Output data for T_A = -25 ... 55 °C with forced cooling of 20 cfm
- Connector FCI 51720-10202402AA or Molex 87631-2019



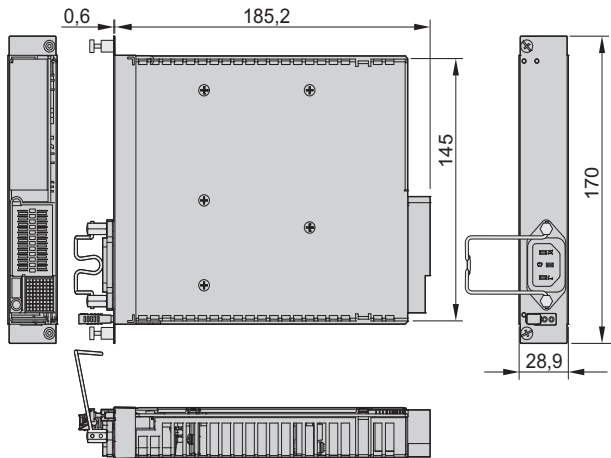
For further information www.schroff.biz/oneclick
oneClick search code = Part no.

Systems - MicroTCA

AC/DC, double full-size,
with power management (PM EMMC)



11311001



11312051

- Wide input voltage range 90 ... 264 V_{AC}
- Active power factor correction
- Construction compatible with AdvancedTCA double full-size
- MicroTCA power management in accordance with PICMG MTCA.0
- 16 output voltages 12 V and 16 x 3.3 V
- Corresponds to EMC class B as per EN 55022
- Mains input at front

NEW

Delivery comprises

Qty	Description
1	PSU for MicroTCA height double (148.3 mm) width full-size (6 HP) depth 186.65 mm connector MicroTCA Power front panel with handle and EMC gasket (fitted)

Order Information

Voltage V	Current A	Power W	Description	Part no.
V ₁ : 12	I ₁ : 45.8	550	MTCA 550 AC	11098-438
V ₂ : 3.3	I ₂ : 3			

Note

- Output data for T_A = -25 ... 55 °C with forced cooling of 20 cfm
- Connector to PICMG MTCA.0, MicroTCA power connector



For further information www.schroff.biz/oneclick
oneClick search code = Part no.

Systems - MicroTCA

Fan module for MicroTCA.0 system,
1 U



12912010

- Hot-swap fan tray with 4 regulated axial fans (40.2 m³/h each), free blowing, 1 unregulated axial fan (17 m³/h), 12 V_{DC}
- With cooling unit enhanced module management controller (CU EMMC)

Order Information

Description	Qty/PU piece	Part no.
Fan module for 1 U MicroTCA system (11850-017)	1	21850-095

Fan module for MicroTCA.0 systems, 3 U,
without Telco alarm panel



12907013

- Fan tray with 1 axial fan (225 m³/h), free blowing, 12 V_{DC}
- With cooling unit enhanced module management controller (CU EMMC)

Order Information

Description	Qty/PU	Part no.
Fan module for 3 U MicroTCA system (11850-003)	1	21850-038

Fan module for MicroTCA.0 system, 4 U



12912012

- Hot-swap fan tray with 2 regulated axial fans (234 m³/h each), free blowing, 12 V_{DC}
- With cooling unit enhanced module management controller (CU EMMC)

Order Information

Description	Qty/PU piece	Part no.
Fan module for 4 U MicroTCA systems (11850-018)	1	21850-112

Systems - MicroTCA

Fan module for MicroTCA.4 cube system, 5 U



12912002

- Hot-swap fan tray with 6 regulated axial fans (109 m³/h each), free blowing, 12 V_{DC}
- With cooling unit enhanced module management controller (CU EMMC); fan speeds for front and rear sections independently adjustable via MCH

Order Information

Description	Qty/PU piece	Part no.
Fan module for 5 U physics cube system (11850-021), 1 piece	1	21850-113

Fan module for 5 U MicroTCA.1 cube system, 5 U



12912006

- Hot-swap fan tray with 4 regulated axial fans (109 m³/h each), free blowing, 12 V_{DC}
- With cooling unit enhanced module management controller (CU EMMC)

Order Information

Description	Qty/PU piece	Part no.
Fan module for 5 U cube system (11850-020)	1	21850-114

Fan modules for MicroTCA.0 systems, 6 U, without Telco alarm panel



12907006

- Fan tray with 2 axial fans (460 m³/h each), free blowing, 12 V_{DC}
- With cooling unit enhanced module management controller (CU EMMC)

Order Information

Description	Qty/PU	Part no.
Fan module for 6 U MicroTCA system (10849-005)	1	21850-036

Systems - MicroTCA

Fan module for MicroTCA.0 systems, 6 U, with Telco alarm panel



12907007

- Fan tray with 2 axial fans (460 m³/h each), free blowing, 12 V_{DC}
- With cooling unit enhanced module management controller (CU EMMC)
- With Telco alarm interface, includes 3 LEDs, one telco alarm connector (DB15) and one telco alarm silencing push-button

Order Information

Description	Qty/PU	Part no.
Fan module for 6 U MicroTCA system (10849-005)	1	21850-037

Fan module for MicroTCA.4, 19" systems, 9 U



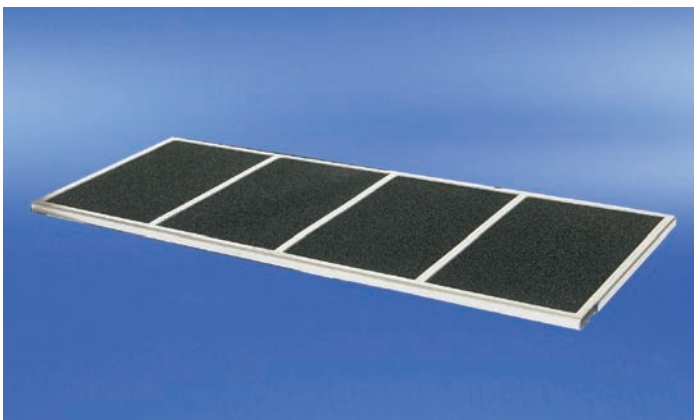
12912008

- Hot-swap fan tray with 5 regulated axial fans (3 x 289 m³/h each, free blowing and 2 x 220 m³/h, free blowing), 12 V_{DC}
- With cooling unit enhanced module management controller (CU EMMC); fan speeds for front and rear sections independently adjustable via MCH

Order Information

Description	Qty/PU piece	Part no.
Fan module for 9 U, 19" physics system (11890-035)	1	21850-115

Air filters



12907005

- Material: polyurethane UL 94 HF1
- 45 ppi, 80 % dust reduction under NEBS GR-78 core standard

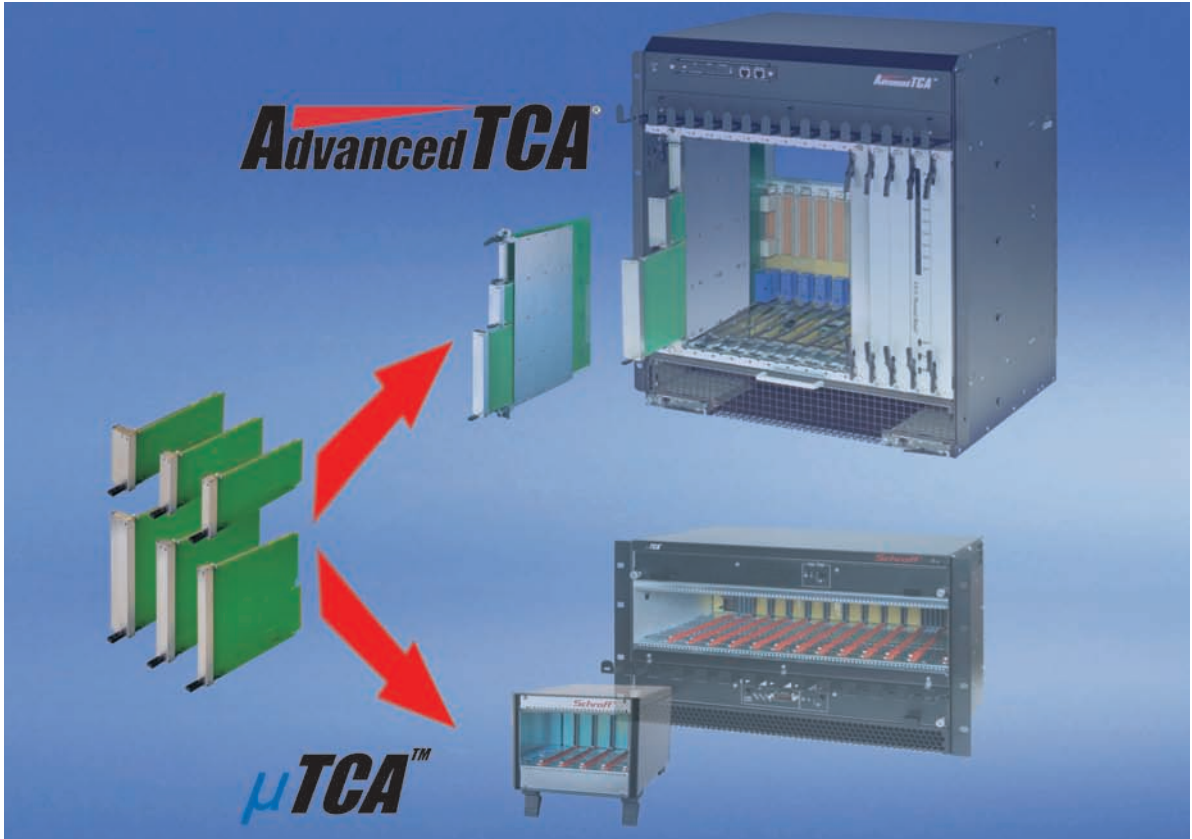
Order Information

Description	Qty/PU	Part no.
Air filter for 1 U MicroTCA.0 system (11850-017)	1	21850-118
Air filter for 3 U MicroTCA.0 system (11850-003)	1	21850-034
Air filter for 4 U MicroTCA.0 system (11850-018)	1	21850-119
Air filter for 5 U MicroTCA.1 cube system (11850-020)	1	21850-120
Air filter for 5 U MicroTCA.4 cube system (11850-021)	1	21850-116
Air filter for 6 U MicroTCA.0 systems (10849-005, 11850-005, 11850-007)	1	21850-033
Air filter for 9 U MicroTCA.4 19" system (11890-035)	1	21850-117

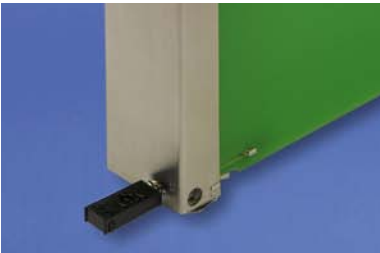
Photo shows air filter 21850-033

- Overview 0
- Cabinets 1
- Wall mounted cases 2
- Accessories for cabinets and wall mounted cases 3
- Climate control 4
- Desk-top cases 5
- Subracks/ 19" chassis ... 6
- Front panels, plug-in units .. 7
- Systems 8**
- Power supply units 9
- Backplanes .. 10
- Connectors, front panel component system 11
- Appendix 12

Systems - AdvancedMC modules



12806029



12808006

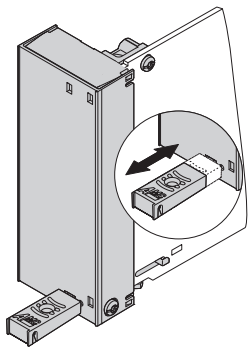


12808007



12808006

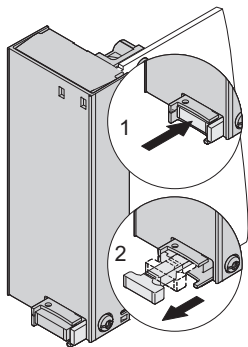
Stainless steel



12808060

Pull-handle mechanism

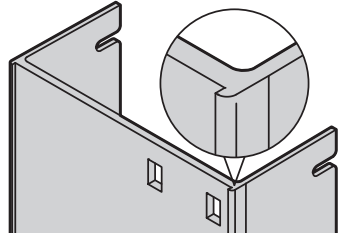
- For compact, mid-size and full-size module widths
- Forward protrusion of handle 20 mm, width 8 mm



12808059

Push-pull handle mechanism

- For mid-size and full-size module widths
- Forward protrusion of handle 5 mm, width 14 mm



12808056

Aluminium extrusion



Downloads and further important information can be found on the Internet under www.schroff.biz

AdvancedMC module mechanics

- Front panels with two locking mechanisms, usable for AdvancedMC carriers and MicroTCA systems
- Front panels in steel or aluminium extrusion
- Dimensions
 - Single compact, mid-size, full-size
 - Double compact, mid-size, full-size
- Ruggedized AdvancedMC modules for MicroTCA.1 and MicroTCA.4 applications
- MicroTCA filler modules with adjustable airflow



Fig. A

12808011

Fig. B

12805012

AdvancedMC module mechanics

- For PICMG® AMC.0 R2.0 (Fig. A), locking of modules without screws
- Ruggedized module mechanics for MicroTCA.1 and MicroTCA.4 (Fig. B) applications, with patented screw locking
- EMC shielded front panel in two materials (stainless steel; aluminium)
- Two different handle mechanisms (pull, push-pull)



12808009

AdvancedMC-MicroTCA filler modules

- Front panels with handle, PCB and air baffle for compact, mid-size and full-size AdvancedMC modules
- Air baffles to adjust air resistance of an unused slot
- Air passage adjustable (sliding plates)



30407004

ServicePLUS from page 8.67

- e.g. individual configuration and assembly
 - e.g. modifications (cut-outs, special colours, printing, front films)
 - e.g. custom solutions (special sizes)
- www.schroff.biz/serviceplus/

AdvancedMC module mechanics

PICMG AMC.0 R2.0RC1.2

Modules with push-pull-handle mechanism 8.58

Modules with pull-handle mechanism 8.59

Front panels for module with pull-handle mechanism 8.60

Pull-handle mechanism 8.61

Modules with ruggedized pull-handle mechanism 8.62

Filler modules for MicroTCA

Pull-handle mechanism 8.63

Air baffle for filler module ECO 8.66

Microswitch 8.67

ServicePLUS . . 8.67

Systems - AdvancedMC modules

Modules with push-pull-handle mechanism, PICMG® AMC.0 R2.0

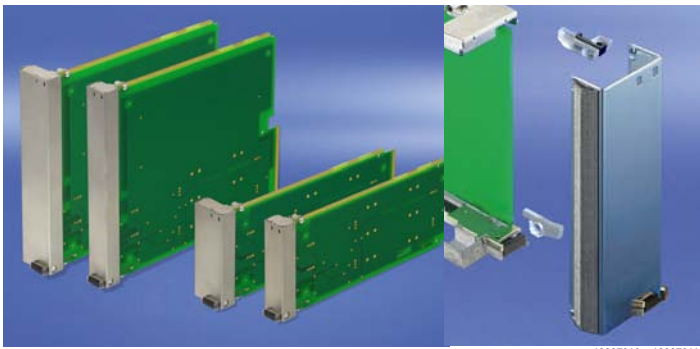
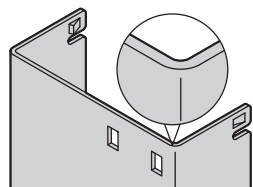
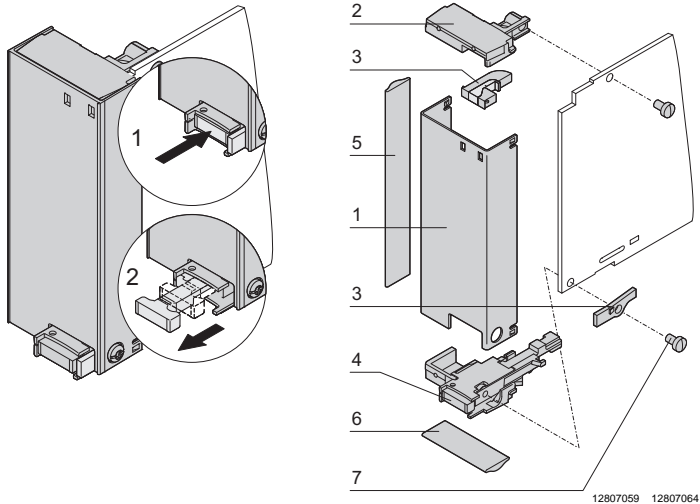
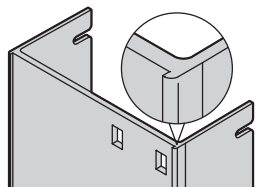


Photo shows modules with steel front panel (PCB not included)

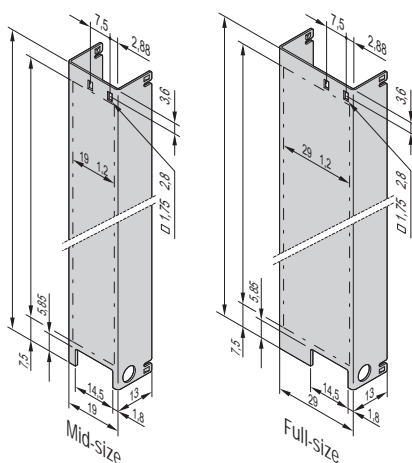
Push-pull-handle mechanism



Stainless steel profile



Aluminium profile



12808063

- Kit, shielded
- Push-pull-handle mechanism meets AdvancedMC standard; press handle (springs out) and pull to extract sub-assembly
- Push-pull-handle mechanism designed for microswitch activation (hot-swap); interlocking of modules without screws
- For conventional, cutaway and hybrid carriers
- Includes of light pipes
- Front panels in 2 materials:
 - Stainless steel
 - Aluminium extrusion; for foil printing

Delivery comprises (kit)

Item	Qty	Description
1	1	U-shaped front panel, stainless steel or Al extrusion
2	1	Accepts light pipe and board bracket at top, Zn die-cast, nickel-plated
3a	1	Light pipe, top, PC, UL 94 V-0
3b	1	Light pipe, bottom, PC, UL 94 V-0
4	1	Push-pull-handle mechanism with microswitch activation and board bracket
5	1	Lateral EMC gasket, core: foam, sleeve: textile cladding with CuNi coating
6	1	Lower EMC gasket, core: foam, sleeve: textile cladding with CuNi coating
7	1	Assembly kit

Order Information

Module with push-handle mechanism, PICMG® AMC.0 R2.0	H mm	h mm	Part no. Aluminium	Part no. Stainless steel
Single mid-size, 4 HP	73.8	60.8	20849-288	20849-332
Single full-size, 6 HP	73.8	60.8	20849-290	20849-334
Double mid-size, 4 HP	148.8	135.8	20849-289	20849-333
Double full-size, 6 HP	148.8	135.8	20849-291	20849-335

Accessories

Microswitch for AdvancedMC modules "normally open" for soldering (SMD), PU 10 pieces - page 8.67	20849-209
--	-----------

Filler Modules

Page 8.63

Note

- Pull-handle mechanism see page 8.61
- Schroff offers extensive modification options with the Front Panel Service, including customised cut-outs, foils and silk-screen printing, www.frontpanelexpress.eu

FRONT PANEL EXPRESS



For further information www.schroff.biz/oneclick
oneClick search code = Part no.



ServicePLUS see page 8.67

Systems - AdvancedMC modules

Modules with pull-handle mechanism, PICMG® AMC.0 R2.0

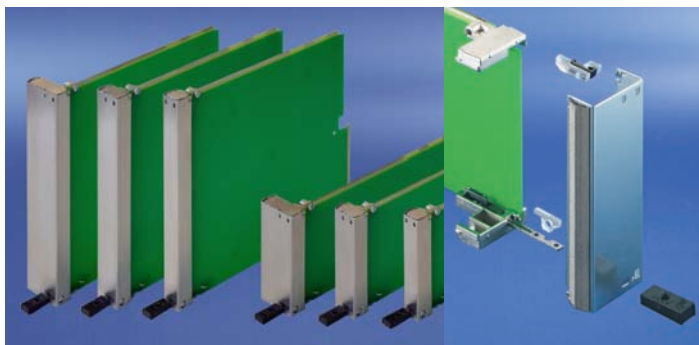
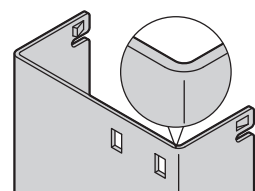
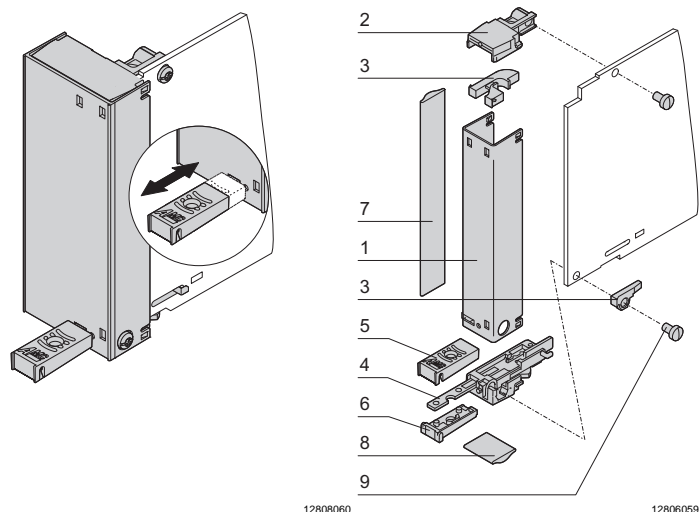
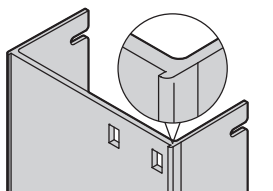


Photo shows modules with steel front panel (PCB not included)

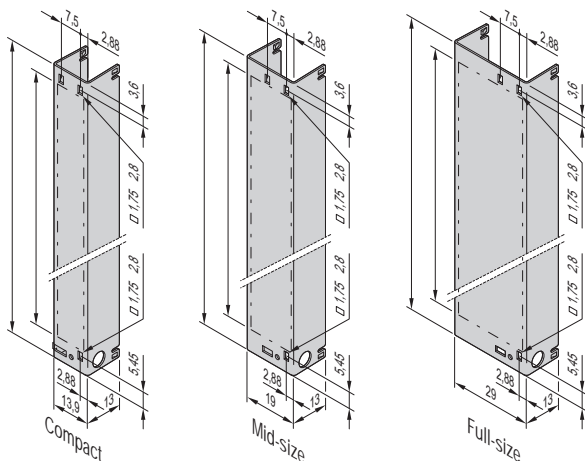
Pull-handle mechanism



Stainless steel



Aluminium extrusion



12808061

- Module in accordance with AdvancedMC standard
- For installation in MicroTCA chassis or AdvancedMC carriers (e.g. conventional, cutaway and hybrid carriers)
- Front panels in 2 versions:
 - Stainless steel
 - Aluminium extrusion; for foil printing

Delivery comprises (kit)

Item	Qty	Description
1	1	U-shaped front panel, stainless steel or Al extrusion
2	1	Accepts light pipe and board bracket at top, Zn die-cast, nickel-plated
3a	1	Light pipe, top, PC, UL 94 V-0
3b	1	Light pipe, bottom, PC, UL 94 V-0
4	1	Pull-handle mechanism with microswitch activation and board bracket
5+6	1	Pull-handle, PC, UL 94 V-0, black
7	1	Lateral EMC gasket, core: foam, sleeve: textile cladding with CuNi coating
8	1	Lower EMC gasket, core: foam, sleeve: textile cladding with CuNi coating
9	1	Assembly kit

Order Information

Module with pull-handle mechanism, PICMG® AMC.0 R2.0	H	h	Part no. Aluminium	Part no. Stainless steel
Single compact, 3 HP	73.8	60.8	20849-312	20849-127
Single mid-size, 4 HP	73.8	60.8	20849-268	20849-128
Single full-size, 6 HP	73.8	60.8	20849-270	20849-129
Double compact, 3 HP	148.8	135.8	20849-313	20849-130
Double mid-size, 4 HP	148.8	135.8	20849-269	20849-131
Double full-size, 6 HP	148.8	135.8	20849-271	20849-132

Accessories

Microswitch for AdvancedMC modules "normally open" for soldering (SMD), PU 10 pieces - page 8.67	20849-209
Filler Modules	Seite 8.63
Air baffle modules	Seite 8.63

Note

- Mechanism with pull-handle mechanism see page 8.61
- Schroff offers extensive modification options with the Front Panel Service, including customised cut-outs, foils and silk-screen printing, www.frontpanelexpress.eu

FRONT PANEL EXPRESS



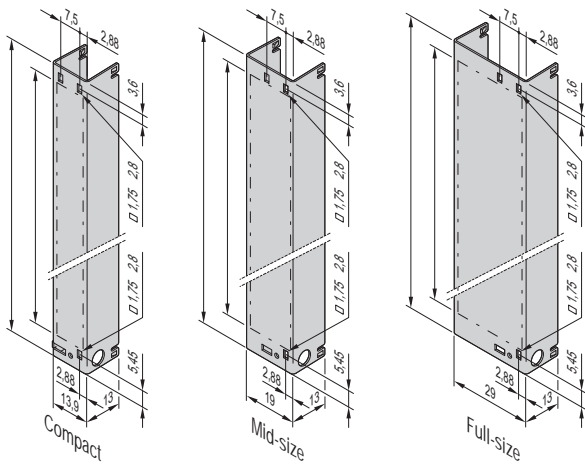
For further information www.schroff.biz/oneclick
oneClick search code = Part no.



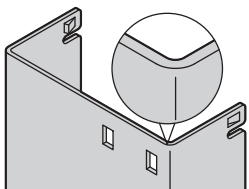
ServicePLUS see page 8.67

Systems - AdvancedMC modules

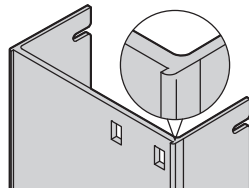
Front panels for module with pull-handle mechanism, PICMG® AMC.0 R2.0



12808061



Stainless steel



Aluminium extrusion

12808057 12808056

- Front panel for pull-handle mechanism (with cut-outs for light pipe)
- For AdvancedMC modules
- 2 front panel materials:
 - Stainless steel
 - Aluminium extrusion; for foil printing

Delivery comprises

Item	Qty	Description
1	1	U-shaped front panel

Order Information

Front panel for module with pull-handle mechanism, PICMG® AMC.0 R2.0	Part no. Aluminium	Part no. Stainless steel
Single compact, 3 HP	30849-708	30849-402
Single mid-size, 4 HP	30849-658	30849-403
Single full-size, 6 HP	30849-682	30849-404
Double compact, 3 HP	30849-714	30849-405
Double mid-size, 4 HP	30849-670	30849-406
Double full-size, 6 HP	30849-694	30849-407

Note

- Locking mechanism for front panel see page 8.61
- Schroff offers extensive modification options with the Front Panel Service, including customised cut-outs, foils and silk-screen printing, www.frontpanelexpress.eu

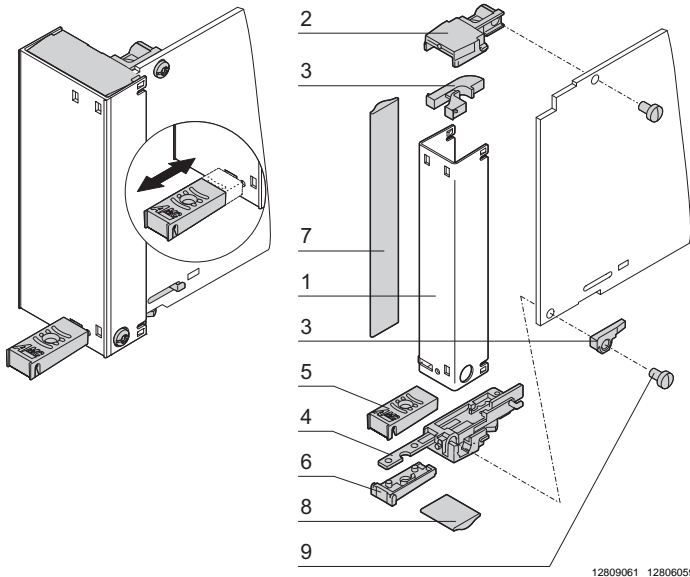
FRONT PANEL EXPRESS



For further information www.schroff.biz/oneclick
oneClick search code = Part no.

Systems - AdvancedMC modules

Pull-handle mechanism, PICMG® AMC.0 R2.0



Pull-handle mechanism

- Complete pull-handle mechanism, designed for microswitch activation (hot-swap), includes light pipe
- For AdvancedMC modules

Delivery comprises (kit)

Item	Qty	Description
2	1	Accepts light pipe and board bracket at top, Zn die-cast, nickel-plated
3a	1	Light pipe, top, PC, UL 94 V-0
3b	1	Light pipe, bottom, PC, UL 94 V-0
4	1	Pull-handle mechanism with microswitch activation and board bracket
5+6	1	Pull-handle, PC, UL 94 V-0, black
7	1	Lateral EMC gasket, core: foam, sleeve: textile cladding with CuNi coating
8	1	Lower EMC gasket, core: foam, sleeve: textile cladding with CuNi coating
9	1	Assembly kit

Order Information

Pull-handle mechanism, PICMG® AMC.0 R2.0	Part no.
For single compact, 3 HP	20849-151
For single mid-size, 4 HP	20849-152
For single full-size, 6 HP	20849-153
For double compact, 3 HP	20849-154
For double mid-size, 4 HP	20849-155
For double full-size, 6 HP	20849-156

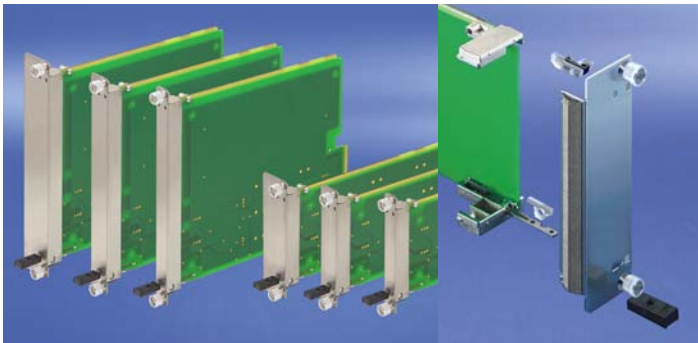
- Front panel for pull-handle mechanism page 8.60



For further information www.schroff.biz/oneclick
oneClick search code = Part no.

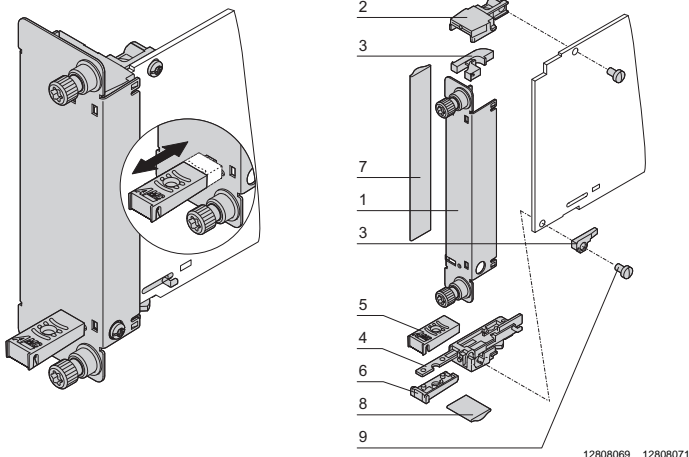
Systems - AdvancedMC modules

Modules with ruggedized pull-handle mechanism (MicroTCA.1 or MicroTCA.4), shielded

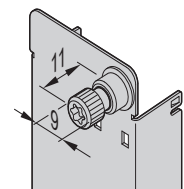


12808015 12805012

Pull-handle mechanism with additional screw locking



12808069 12808071

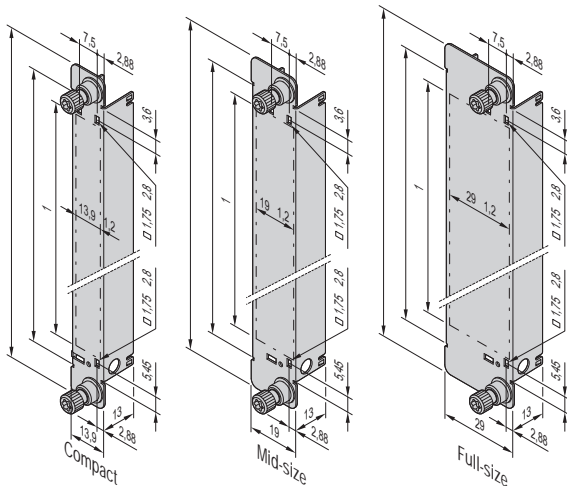


Steel, stainless



Screw locking

12808072 12809001



12808070

- Module in accordance with AdvancedMC standard
- Modules conform to:
 - PICMG® AMC.0 R2.0
 - Ruggedized: MicroTCA.1, MicroTCA.4
- Mounts in MicroTCA chassis or AdvancedMC carrier (e.g. cutaway, conventional or hybrid carrier)
- Stainless steel front panel
- Additional securing of components in MicroTCA system; with patented screw locking

Delivery comprises (kit)

Item	Qty	Description
1	1	U-shaped front panel, stainless steel; with welded-on screw locking, Torx T10
2	1	Board support, die-cast zinc, nickel-plated
3a	1	Light pipe, top, PC, UL 94 V-0
3b	1	Light pipe, bottom, PC, UL 94 V-0
4	1	Pull-handle mechanism with microswitch activation and board bracket
5+6	1	Pull-handle, PC, UL 94 V-0, black
7	1	Lateral EMC gasket, core: foam, sleeve: textile cladding with CuNi coating
8	1	Lower EMC gasket, core: foam, sleeve: textile cladding with CuNi coating
9	1	Assembly kit

Order Information

Module with ruggedized pull-handle mechanism	H mm	h mm	h1 mm	Part no.
Single compact, 3 HP	95.0	73.8	60.8	21850-066
Single mid-size, 4 HP	95.0	73.8	60.8	21850-067
Single full-size, 6 HP	95.0	73.8	60.8	21850-068
Double compact, 3 HP	170.0	148.8	135.8	21850-069
Double mid-size, 4 HP	170.0	148.8	135.8	21850-070
Double full-size, 6 HP	170.0	148.8	135.8	21850-071

Accessories

Microswitch for AdvancedMC modules "normally open" for soldering (SMD), PU 10 pieces - page 8.67	20849-209
---	-----------

Individual components

Screw locking (patented) for ruggedized front panel Screw retainer must be welded to front panel (screw, expansion bolt, bushing; fitted), PU 10 pieces	21850-057
---	-----------

Note

- Filler modules MicroTCA.1 and MicroTCA.4 see from page 8.64
- Schroff offers extensive modification options with the Front Panel Service, including customised cut-outs, foils and silk-screen printing, www.frontpanelexpress.eu

FRONT PANEL
EXPRESS



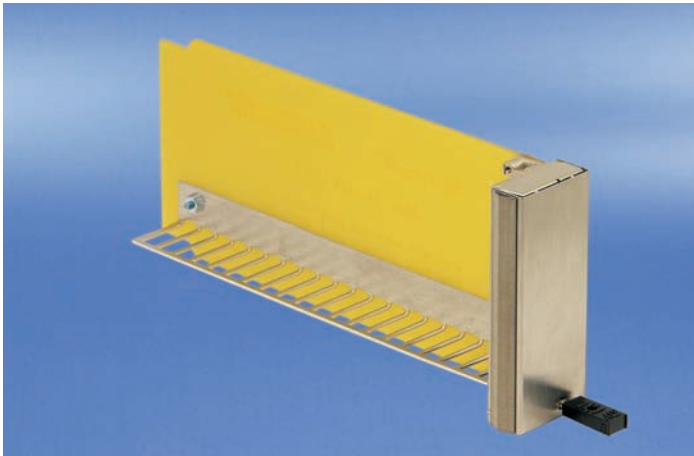
For further information www.schroff.biz/oneclick
oneClick search code = Part no.



ServicePLUS see page 8.67

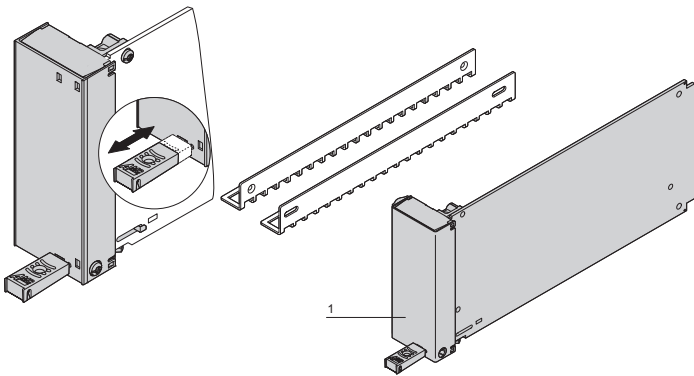
Systems - AdvancedMC modules

Filler modules with pull-handle mechanism



Filler module ECO, single, with air baffle

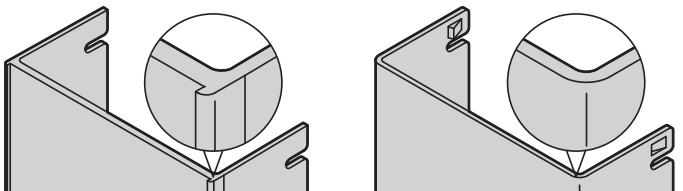
12807012



Pull-handle mechanism

12808060

12805050



Aluminium extrusion

12808068

Stainless steel

12808067

- Shielded filler modules are used to close unused slots
- The optional air baffle (airflow adjustable) can be used to prevent an air short-circuit
- For conventional, cutaway and hybrid carrier
- Pull-handle mechanism meets AdvancedMC standard; pull handle to extract sub-assembly
- 2 front panel materials:
 - Stainless steel
 - Aluminium extrusion; for foil labelling

Delivery comprises (assembled)

Item	Qty	Description
1	1	AdvancedMC filler module, consisting of
	1	U-shaped front panel, stainless steel or Al extrusion
	1	Board support, die-cast zinc, nickel-plated
	1	PCB
	1	Pull-handle mechanism and board bracket
	1	Pull-handle, plastic, PC, UL 94 V-0, black
	1	Lateral EMC gasket, core: foam, sleeve: textile cladding with CuNi coating
	1	Lower EMC gasket, core: foam, sleeve: textile cladding with CuNi coating

Order Information

Filler module with pull-handle mechanism	Part no. Aluminium	Part no. Stainless steel
Single compact, 3 HP	20849-304	20849-022
Single mid-size, 4 HP	20849-248	20849-106
Single full-size, 6 HP	20849-250	20849-024
Double compact, 3 HP	20849-305	20849-023
Double mid-size, 4 HP	20849-249	20849-107
Double full-size, 6 HP	20849-251	20849-025

Note

- Please order air baffle separately, see page 8.63
- Low-cost alternative: Filler module with fixed handle, see page 8.66

Air baffle for AdvancedMC filler modules

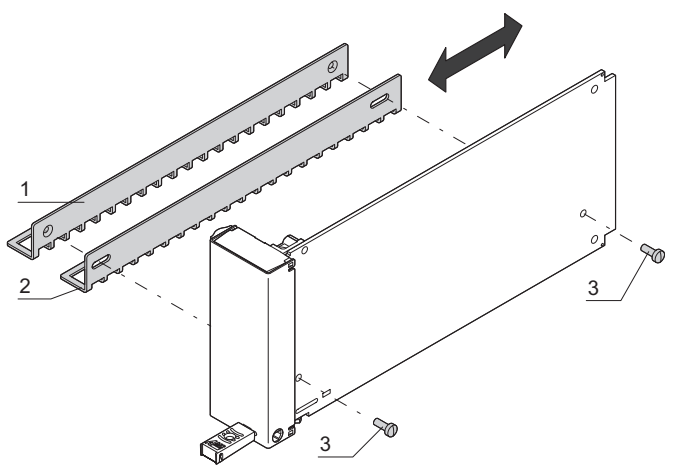
- Retrofittable

Delivery comprises

Item	Qty	Description
1	1	Metal sheet with perforation, Al
2	1	Sliding metal sheet with perforation, Al
3	1	Assembly kit

Order Information

Description	Qty/PU	Part no.
Air baffle for compact filler module	10	20849-016
Air baffle for mid-size filler module	10	20849-017
Air baffle for full-size filler module	10	20849-018



12805051

Systems - AdvancedMC modules

MicroTCA filler modules with air baffle



Photo shows mid-size double module

12812001

- Shielded filler modules are used to close unused slots and together with the air baffle prevent air short-circuits through the unused slot
- In accordance with MicroTCA.1 and MicroTCA.4 specifications
- Can be screwed on; is inserted into the guide rail

NEW

Delivery comprises (assembled)

Item	Qty	Description
1	1	Front panel with side panel and air baffle, stainless steel, 1 mm; with captive screws (2 pieces)
2	1	Lateral EMC gasket, core: foam, sleeve: textile cladding with CuNi coating

Order Information

Description	Part no.
MicroTCA filler module with air baffle, mid-size single	21850-104
MicroTCA filler module with air baffle, full-size single	21850-105
MicroTCA filler module with air baffle, mid-size double	21850-106
MicroTCA filler module with air baffle, full-size double	21850-107

Note

- CAD data: Please enter part no. at www.schroff.biz/oneclick

MicroTCA filler modules (above an MCH)



Photo shows full-size single module

12812003

- Shielded filler modules are used to close unused slots
- In accordance with MicroTCA.1 and MicroTCA.4 specifications
- Filler module is fitted above an MCH or PM when double modules are used
- Can be screwed on; is supported on the guide rail

NEW

Delivery comprises

Item	Qty	Description
1	1	Front panel, stainless steel, 1 mm; with captive screw (1 piece)
2	1	Lateral EMC gasket, core: foam, sleeve: textile cladding with CuNi coating

Order Information

Description	Part no.
MicroTCA filler module with front panel, mid-size single	21850-102
MicroTCA filler module with front panel, mid-size double	21850-103

Note

- CAD data: Please enter part no. at www.schroff.biz/oneclick

Systems - AdvancedMC modules

MicroTCA filler modules, 2 HP



Photo shows AdvancedMC-Filler Modul, Single

12807014

- Shielded filler modules are required e.g. if a mid-size or full-size AdvancedMC module is fitted in a 84 HP system
- In accordance with MicroTCA.1 and MicroTCA.4 specifications
- Can be screwed on

Delivery comprises

Item	Qty	Description
1	1	Front panel, stainless steel, 0.6 mm
2	1	Lateral EMC gasket, core: foam, sleeve: textile cladding with CuNi coating

Order Information

Description	Qty	Part no.
MicroTCA filler module, single, 2 HP	1 piece (SPQ 5)	20849-213
MicroTCA filler module, double, 2 HP	1 piece (SPQ 5)	20849-214

Delivery is exclusively made in Standard Pack Quantity (SPQ): Please order at least 5 pieces or a multiple. Pricing is per individual item.

Accessories

Pozidrive panhead screw M3 x 6, zinc-plated, 100 pieces	21102-024
---	-----------

Note

- CAD data: Please enter part no. at www.schroff.biz/oneclick



For further information www.schroff.biz/oneclick
oneClick search code = Part no.

RTM filler modules with air baffle



Photo shows full-size double module

12812002

- Shielded RTM (rear transition module) filler modules are used to close unused slots and together with the air baffle prevent air short-circuits through the unused slot
- In accordance with MicroTCA.1 and MicroTCA.4 specifications
- Can be screwed on; is inserted into the guide rail
- With air baffle

NEW

Delivery comprises (assembled)

Item	Qty	Description
1	1	Front panel with side panel and air baffle, stainless steel, 1 mm; with captive screws (2 pieces)
2	1	Lateral EMC gasket, core: foam, sleeve: textile cladding with CuNi coating

Order Information

Description	Part no.
RTM filler module with air baffle, mid-size double	21850-108
RTM filler module with air baffle, full-size double	21850-109



For further information www.schroff.biz/oneclick
oneClick search code = Part no.

Systems - AdvancedMC modules

Filler module ECO with fixed handle



Filler module ECO, single, with air baffle

12809002

- Shielded filler modules are used to close unused slots
- The optional air baffle (airflow adjustable) can be used to prevent an air short-circuit
- For conventional, cutaway and hybrid carriers and MicroTCA systems
- Low-cost filler module (no pull- or push-pull-handle mechanism)

NEW

Delivery comprises (assembled)

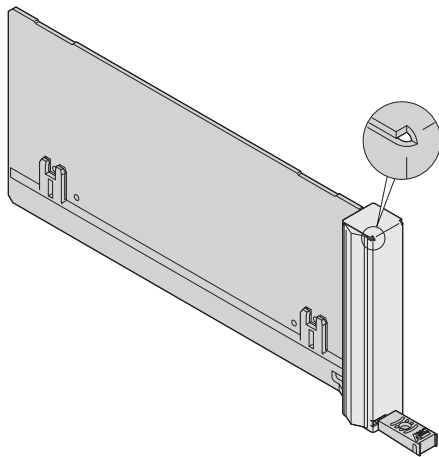
Item	Qty	Description
1	1	AdvancedMC ECO filler module, consisting of
	1	Front panel, stainless steel
	1	PCB, plastic, PC, UL 94 V-0 with built-in air baffle holder
	1	Handle, fixed, plastic, PC, UL 94 V-0, black
	1	Lateral EMC gasket, core: foam, sleeve: textile cladding with CuNi coating
	1	Lower EMC gasket, core: foam, sleeve: textile cladding with CuNi coating

Order Information

	Part no.
Single compact, 3 HP	20849-348
Single mid-size, 4 HP	20849-350
Single full-size, 6 HP	20849-352
Double compact, 3 HP	20849-349
Double mid-size, 4 HP	20849-351
Double full-size, 6 HP	20849-353

Note

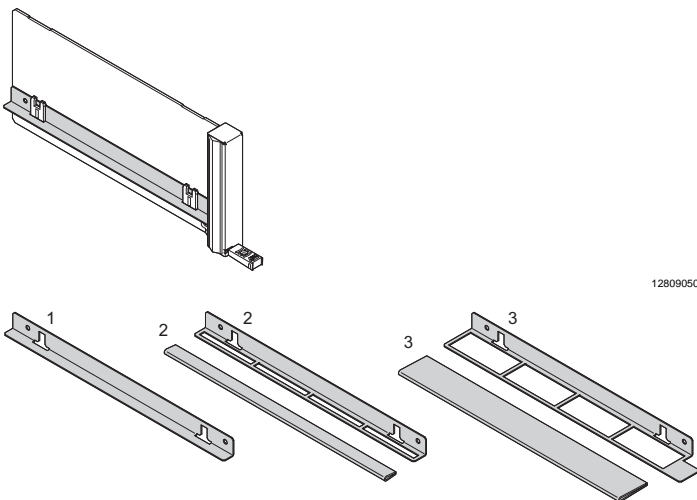
- Microswitch cannot be used
- Please order air baffle separately
- Filler modules with handle mechanism (pull- or push-pull-handles) see from page 8.63



Single compact module

12809052

Air baffle for filler module ECO with fixed handle



12809050

12809051

- Retrofittable; simply clip onto the PCB of the filler module
- To adjust the airflow volume the plastic cover can be individually cut to size (not for compact modules)

NEW

Order Information

Air baffle for filler modules ECO with fixed handle		Part no.
For compact filler module, PU 10 pieces	Item 1: VA plate	20849-355
For mid-size filler module, PU 10 pieces	Item 2a: VA plate with ventilation slots;	20849-356
	Item 2b: plastic cover, PVC, UL 94 V-0	
For full-size filler module, PU 10 pieces	Item 3a: VA plate with ventilation slots;	20849-357
	Item 3b: plastic cover, PVC, UL 94 V-0	

Systems - AdvancedMC-modules ServicePLUS

Microswitch for AdvancedMC modules

- Microswitch for soldering (SMD)

Order Information

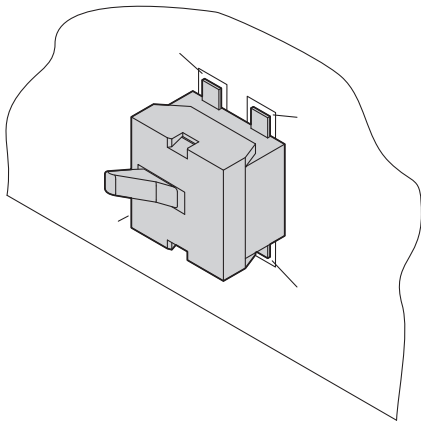
Description	Qty/PU	Part no.
Microswitch for AdvancedMC modules "normally open"	10	20849-209

Technical data

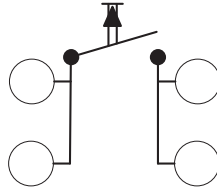
Max. switch current	1 mA, 5 V _{DC}
Operating temperature	-15 °C ... +70 °C
Electrical lifespan	10 ⁵ switching cycles



For further information www.schroff.biz/oneclick
oneClick search code = Part no.

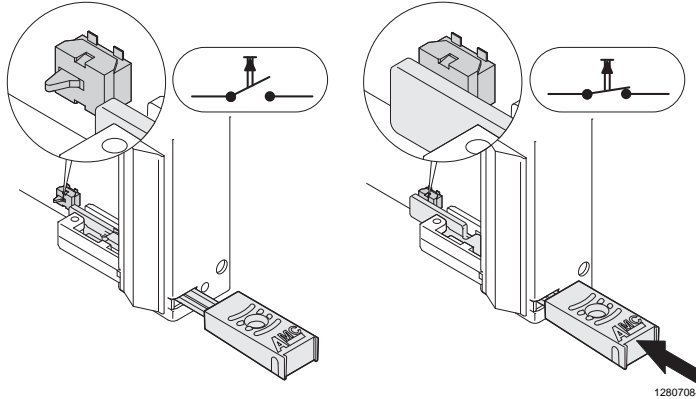


12807050



12807078

Microswitch "normally open"



12807084



modification

Custom drillings, cut-outs and special colours for off-the-shelf products

Small changes. Large impact.

- Mechanical modifications
- Ready for despatch within 10 working days



solution

Integration and custom developments

Simple. Fast. From one source.

- Customised complete solutions

- Schroff offers extensive modification options with the Front Panel Service, including customised cut-outs, foils and silk-screen printing, www.frontpanelexpress.eu

FRONT PANEL
EXPRESS

- Overview 0
- Cabinets 1
- Wall mounted cases 2
- Accessories for cabinets and wall mounted cases 3
- Climate control 4
- Desk-top cases 5
- Sub racks/ 19" chassis ... 6
- Front panels, plug-in units .. 7
- Systems 8**
- Power supply units 9
- Backplanes .. 10
- Connectors, front panel component system 11
- Appendix 12

Systems - CompactPCI subrack systems



12306002

What we understand to be a system
 We at Schroff regard a system as being a combination of mechanical components like a subrack or case with electronic components such as a backplane and power supply unit, a cooling unit where appropriate and a system management module.

A strong standard range
 Our extensive and highly-developed standard range offers you mechanical, electronic and thermal components in an almost unlimited variety of dimensions and specifications. Simply select a complete ready system or configure your system from our standard components, online or using the catalogue, to your exact requirements.

Flexibility for modifications
 Often only small adjustments are needed to create the required solution from a standard product. And we have set ourselves up to offer just that. We can make modifications in accordance with your individual specifications - with our usual speed and reliability.

Competent with new developments
 If your requirements cannot be met with standard products or modified standard solutions, our qualified and experienced team will create a customised solution for your system. We have all the necessary development and manufacturing competencies gathered under one roof.

- Standards/Approvals**
- Inner and outer dimensions in accordance with:
 IEC 60297-3-101 / IEEE 1101.1
 IEC 60297-3-102 / IEEE 1101.10/11
 IEC 60297-3-103
 - Ingress protection IP 20 in accordance with IEC 60529
 - EMC testing in accordance with IEC 61587-3
 - In accordance with PICMG 2.0 rev. 3.0, PICMG 2.16 and PXI 2.0

- Areas of application**
- Measurement, control and instrumentation technology
 - Automation technology, machine monitoring
 - Aerospace
 - Defence systems
 - Medical technology
 - Telecommunications



User manuals and technical documentation at www.schroff.biz/oneclick
 Enter part number

Downloads and further important information can be found on the Internet under www.schroff.biz

CompactPCI subrack and case systems

- Large selection of standard CompactPCI, PSB and H.110 systems
- Standard systems to the new CompactPCI PlusIO and CompactPCI Serial standards
- Individual configuration within 9 working days
- Custom solutions on request



12310002

CompactPCI Serial

CompactPCI Serial (PICMG CPCI-S.0) is a systematic further development of CompactPCI. Instead of the former PCI bus, this defines the current and future serial protocols for data transmission. In addition to PCIe, S-ATA, USB 2.0 & 3.0 and Ethernet are also available on every slot.



12309004

CompactPCI PlusIO

CompactPCI PlusIO (PICMG 2.30) defines a unified pinout for the fast serial PCIe, S-ATA, USB and Ethernet protocols on the 32-bit CompactPCI system slot. Hybrid CompactPCI/CompactPCI Serial systems can be built. CompactPCI PlusIO thus offers simple migration to the new technology.



12304002

CompactPCI

CompactPCI (PICMG 2.0) was specified in 1995 and is based on the widely-used PCI bus. This bus, with the CompactPCI specification, is packaged in a robust modular 19" enclosure and is thus suitable for industrial use.



12306003

PSB

PSB (Packet Switching Backplane, PICMG 2.16) and H.110 (Computer Telephony Bus, PICMG 2.5) are CompactPCI sub-specifications that define additional buses, specifically for telecommunications applications, in 6 U CompactPCI.

Subracks

CompactPCI subracks for building an individual CompactPCI system can be found in the subracks section, page 6.14

ServicePLUS from page 8.112

- e.g. individual configuration and assembly
- e.g. modifications (integration)
- e.g. downloads (CAD drawings, user manuals, test reports)
- e.g. custom solutions

www.schroff.biz/ServicePLUS



30407004

CompactPCI Serial
4 U, 9 slot 8.70

CompactPCI PlusIO
4 U, 8 slot 8.73

CompactPCI subrack systems with ATX power supply, 1, 2, 3 U . . . 8.76
with 19" power supply, 1, 2, 3 and 4 U 8.77

3 U 8.78
4 U 8.79
6 U 8.81
6 + 1 U 8.82

CompactPCI case systems
4 U 8.84
7 U 8.85

PSB plug-in units
4 U 8.86
10 U 8.87

Subracks
Kit, shielded, with/without rear I/O 6.14

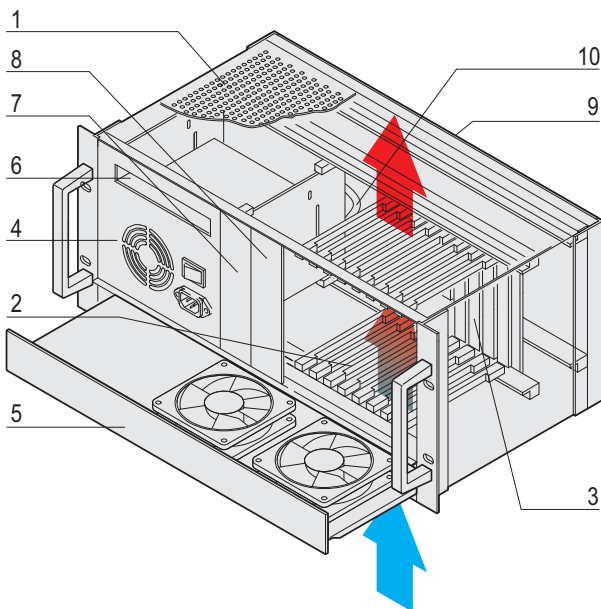
ServicePLUS . . 8.112

Systems - CompactPCI Serial subrack systems

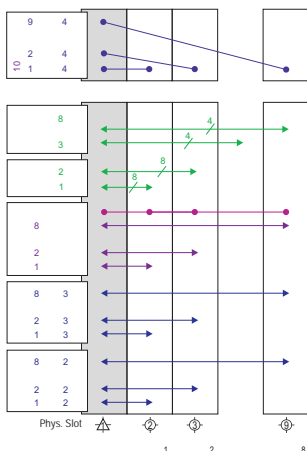
4 U, 9 slot, without rear I/O,
with ATX PSU



12311001



12310050



12410052

Backplane topology

- System for vertical board mounting with board format
 - Front: 3 U, 160 mm deep, 9 slot
- Backplane
 - 9 slot, 3 U, CompactPCI Serial
- ATX PSU, 300 W
- Heat dissipation by 1 U hot-swap fan unit, from bottom to top
- Option to mount Slim-Line DVD and hard disk drives

NEW

Delivery comprises (completely assembled, wired and tested)

Item	Qty	Description
1	1	Shielded 19" chassis, Al; perforated top cover and base plate; front handles
2	9	Front slot; IEEE guide rails, incl. ESD clips (ESD clips fitted to bottom front), for vertical boards (3 U, 160 mm deep)
3	1	Backplane for 3 U boards; 9 slot CompactPCI Serial (single star topology, part no. 23007-612)
4	1	ATX PSU 300 W, 32 HP; wide range input 100 ... 240 V _{AC} ; (3.3 V/28 A, 5 V/35 A, 12 V/22 A, -12 V/0.8 A); IEC AC input module with socket; mains switch; fan
5	1	Hot-swap fan tray, extractable, 1 U, 2 x 12 V _{DC} fan
6	1	Module to accommodate a slimline DVD drive unit
7	1	3 U, 8 HP module to accommodate a hard disk drive
8	1	Front panel, front, 3 U, 8 HP
9	1	Front panel, rear, 3 U, 84 HP
10	1	Cable harness to connect all system components

Order Information

Height U	Height mm	Width HP	Depth mm	Number of slots	Part no.
4	177	84	275	9	24579-415

Accessories

Equipment cables	Page 3.38
Front panels	Page 7.5
Modules to mount drive units	Page 8.110
Front panels with handle	Page 7.32
Fan control modules (FCM)	Page 8.108

Note

- Modified systems available on request
- System in accordance with IEC 60297-3-101, -102, -103; IEEE 1101.1, 1101.10/11; backplane in accordance with PICMG CPCI-S.0



For further information www.schroff.biz/oneclick
oneClick search code = Part no.



ServicePLUS see page 8.112

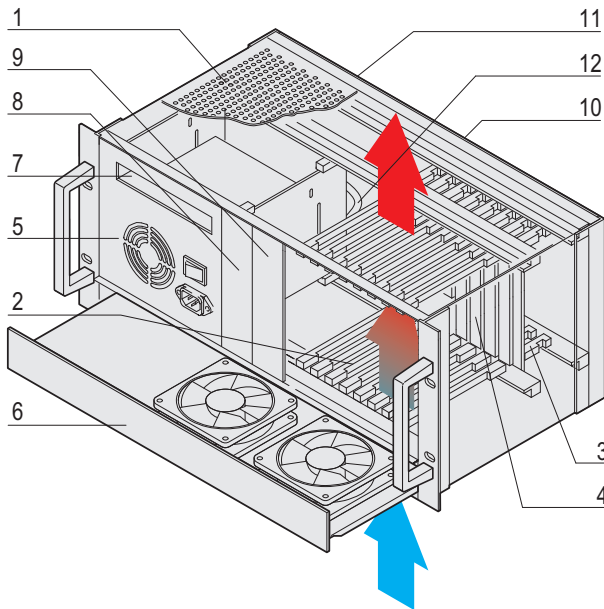


Systems - CompactPCI Serial subrack systems

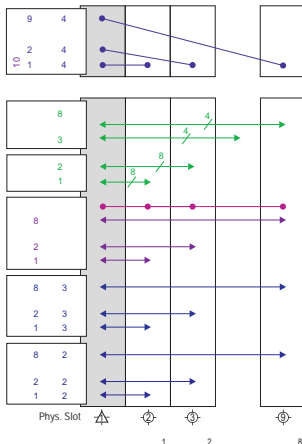
4 U, 9 slot, with rear I/O and ATX PSU



12310002



12310051



12410052

Backplane topology

- System for vertical board mounting with board format
 - Front: 3 U, 160 mm deep, 9 slot
 - Rear, rear I/O: 3 U, 80 mm deep, 8 slot
- Backplane
 - 9 slot, 3 U, CompactPCI Serial
- ATX PSU, 300 W
- Heat dissipation by 1 U hot-swap fan unit, from bottom to top
- Option to mount Slim-Line DVD and hard disk drives

NEW

Delivery comprises (completely assembled, wired and tested)

Item	Qty	Description
1	1	Shielded 19" chassis, Al; perforated top cover and base plate; front handles
2	9	Front slot; IEEE guide rails, incl. ESD clips (ESD clips fitted to bottom front), for vertical boards (3 U, 160 mm deep)
3	8	Rear slot; IEEE guide rails, incl. ESD clips (ESD clips fitted to bottom), for vertical rear I/O boards (3 U, 80 mm deep)
4	1	Backplane for 3 U boards; 9 slot CompactPCI Serial (single star topology, part no. 23007-614)
5	1	ATX PSU 300 W, 32 HP; wide range input 100 ... 240 V _{AC} ; (3.3 V/28 A, 5 V/35 A, 12 V/22 A, -12 V/0.8 A); IEC AC input module with socket; mains switch; fan
6	1	Hot-swap fan tray, extractable, 1 U, 2 x 12 V _{DC} fan
7	1	Module to accommodate a slimline DVD drive unit
8	1	3 U, 8 HP module to accommodate a hard disk drive
9	1	Front panel, front, 3 U, 8 HP
10	1	Front panel, rear, 3 U, 4 HP
11	1	Front panel, rear, 3 U, 48 HP
12	1	Cable harness to connect all system components

Order Information

Height U	Height mm	Width HP	Depth mm	Number of slots	Part no.
4	177	84	275	9	24579-420

Accessories

Equipment cables	Page 3.38
Front panels	Page 7.5
Modules to mount drive units	Page 8.110
Front panels with handle	Page 7.32
Fan control modules (FCM)	Page 8.108

Note

- Modified systems available on request
- System in accordance with IEC 60297-3-101, -102, -103; IEEE 1101.1, 1101.10/11; backplane in accordance with PICMG CPCI-S.0



For further information www.schroff.biz/oneclick
oneClick search code = Part no.



ServicePLUS see page 8.112



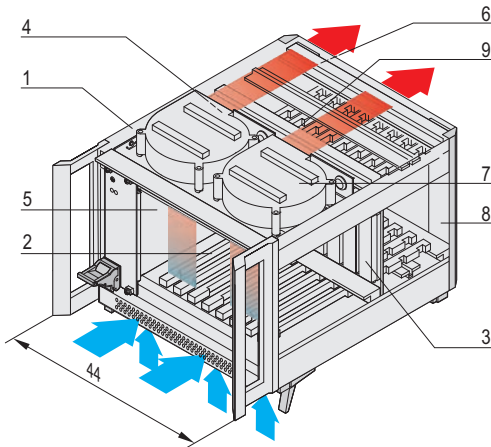
Open Modular Computing Specifications

Systems - CompactPCI Serial subrack systems

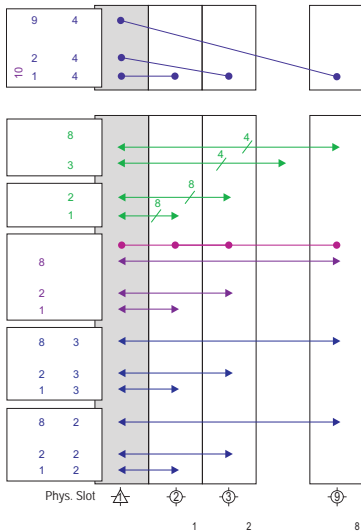
4 U, 9 slot, 44 HP, without rear I/O,
with 19" PSU



12311003



12312050



12410052

Backplane topology



ServicePLUS see page 8.112



- System for vertical board mounting with board format
 - Front: 3 U, 160 mm deep, 9 slot
- Backplane
 - 9 slot, 3 U, CompactPCI Serial
- 19" PSU, 250 W, 3 U, 8 HP
- Heat dissipation by two radial fans, from front to rear

NEW

Delivery comprises (completely assembled, wired and tested)

Item	Qty	Description
1	1	ratiopacPRO-air case, RAL 9006, shielded, perforated air inlet/exhaust openings front and rear; front handles RAL 7016
2	9	Front slot; IEEE guide rails, incl. ESD clips (ESD clips fitted to bottom front), for vertical boards (3 U, 160 mm deep)
3	1	Backplane for 3 U boards; 9 slot CompactPCI Serial (part no. 23007-612)
4	1	Power backplane, 3 U, 8 HP with 1 x P47 connector (part no. 23098-105)
5	1	19" compatible power supply, 250 W (3 U, 8 HP; part no. 13100-141)
6	1	AC input module, 3 U, 8 HP; AC line filter, 110 ... 250 V _{AC} , 50 ... 60 Hz, max. current 10 A
7	2	Radial fan, 36 m ³ /h each, free blowing
8	1	Front panel, rear, 3 U, 36 HP
9	1	Cable harness to connect all system components

Order Information

Height U	Height mm	Width HP	Depth mm	Number of slots	Part no.
4	177	44	275	9	24579-606

Accessories

Equipment cables	Page 3.38
Front panels	Page 7.5
Modules to mount drive units	Page 8.110
Front panels with handle	Page 7.32
Fan control modules (FCM)	Page 8.108

Note

- Modified systems available on request
- System in accordance with IEC 60297-3-101, -102, -103; IEEE 1101.1, 1101.10/11; backplane in accordance with PICMG CPCI-S.0



For further information www.schroff.biz/oneclick
oneClick search code = Part no.

Systems - CompactPCI PlusIO subrack systems

4 U, 8 slot, with rear I/O,
ATX PSU

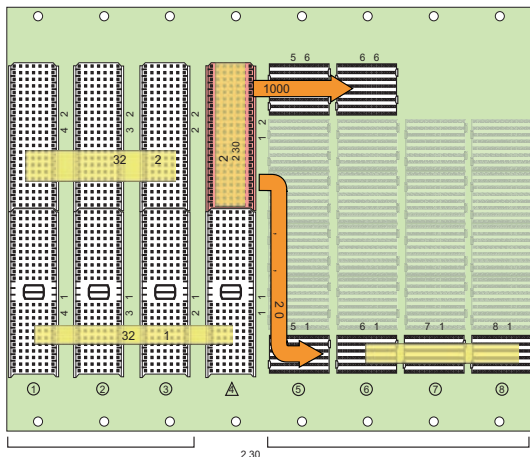
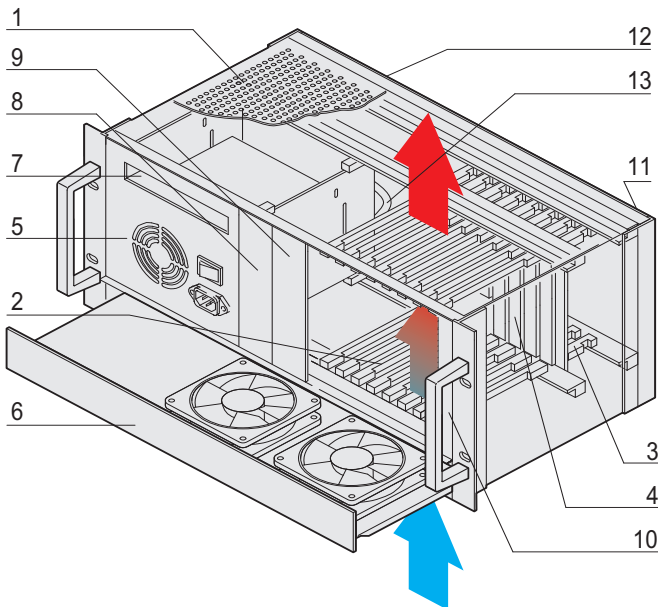


- System for vertical board mounting with board format
 - Front: 3 U, 160 mm deep, 8 slot
 - Rear, rear I/O: 3 U, 80 mm deep, 3 slot
- Backplane
 - 4 slot, 3 U, 32 bit, CompactPCI
 - 4 slot, 3 U, CompactPCI PlusIO
 - Power Backplane
- ATX PSU, 300 W
- Heat dissipation by 1 U hot-swap fan unit, from bottom to top
- Option to mount a slimline DVD drive and hard disk

NEW

Delivery comprises (completely assembled, wired and tested)

Item	Qty	Description
1	1	Shielded 19" chassis, Al; perforated top cover and base plate; front handles
2	8	Front slot; IEEE guide rails, incl. ESD clips (ESD clips fitted to bottom front), for vertical boards (3 U, 160 mm deep)
3	3	Rear slot; IEEE guide rails, incl. ESD clips (ESD clips fitted to bottom), for vertical rear I/O boards (3 U, 80 mm deep)
4	1	Backplane for 3 U boards; 8 slots comprising 4 slots 32-bit CompactPCI plus 4 slots CompactPCI PlusIO (PICMG 2.30, part no. 23007-601)
5	1	ATX power supply, 300 W; 32 HP wide range input 100 ... 240 V _{AC} ; (3.3 V/28 A, 5 V/35 A, 12 V/22 A, -12 V/0.8 A); IEC AC input module with socket; mains switch; fan
6	1	Hot-swap fan tray, extractable, 1 U, 2 x 12 V _{DC} fan
7	1	Module to accommodate a slimline DVD drive unit
8	1	3 U, 8 HP module to accommodate a hard disk drive
9	1	Front panel, front, 3 U, 8 HP
10	1	Front panel, front, 3 U, 4 HP, removable, to expand system slot to 8 HP
11	1	Front panel, rear, 3 U, 24 HP
12	1	Front panel, rear, 3 U, 48 HP
13	1	Cable harness to connect all system components



Backplane topology

Order Information

Height U	Height mm	Width HP	Depth mm	Number of slots	Part no.
4	177	84	275	8	24579-405

Accessories

Equipment cables	Page 3.38
Front panels	Page 7.5
Modules to mount drive units	Page 8.110
Front panels with handle	Page 7.32
Fan control modules (FCM)	Page 8.108

Note

- Modified systems available on request
- System in accordance with IEC 60297-3-101, -102, -103; IEEE 1101.1, 1101.10/11; backplane in accordance with PICMG 2.0 rev. 3.0 and 2.30



ServicePLUS see page 8.112



Open Modular Computing Specifications

Systems - CompactPCI PlusIO subrack systems

4 U, 8 slot, with rear I/O,
19"-compatible PSU

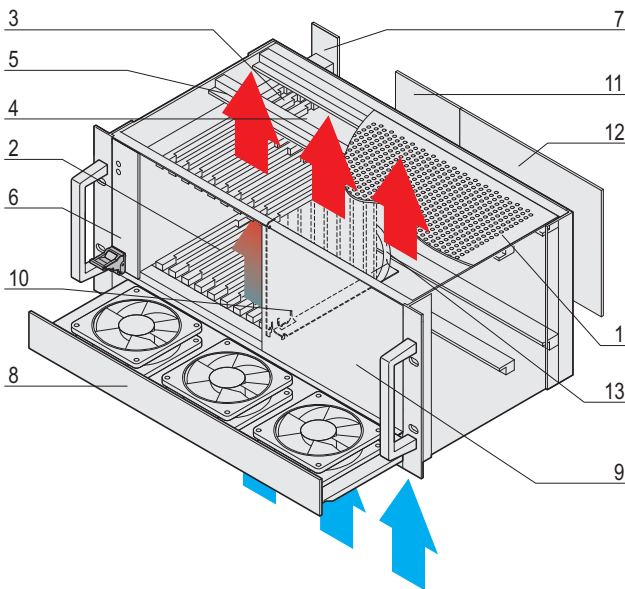


- System for vertical board mounting with board format
 - Front: 3 U, 160 mm deep, 8 slot
 - Rear, rear I/O: 3 U, 80 mm deep, 3 slot
- Backplane
 - 4 slot, 3 U, 32 bit, CompactPCI
 - 4 slot, 3 U, CompactPCI PlusIO
 - Power backplane
- 19"-compatible PSU, 250 W, 3 U, 8 HP
- Heat dissipation by 1 U hot-swap fan unit, from bottom to top
- Option to mount a hard disk

NEW

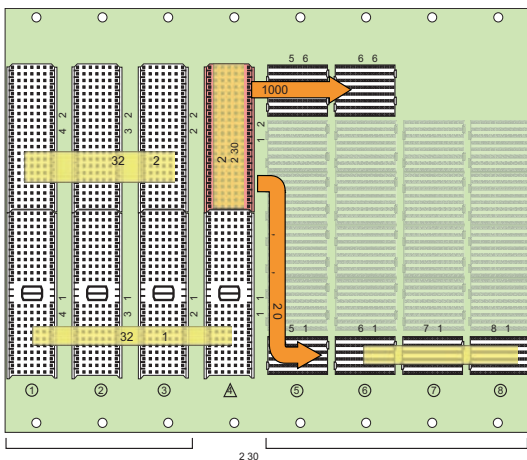
Delivery comprises (completely assembled, wired and tested)

Item	Qty	Description
1	1	Shielded 19" chassis, Al; perforated top cover and base plate; front handles
2	8	Front slot; IEEE guide rails, incl. ESD clips (ESD clips fitted to bottom front), for vertical boards (3 U, 160 mm deep)
3	3	Rear slot; IEEE guide rails, incl. ESD clips (ESD clips fitted to bottom), for vertical rear I/O boards (3 U, 80 mm deep)
4	1	Backplane for 3 U boards; 8 slots comprising 4 slots 32-bit CompactPCI plus 4 slots CompactPCI PlusIO (PICMG 2.30, part no. 23007-601)
5	1	Power backplane, 3 U, 8 HP with 1 x P47 connector (part no. 23098-105)
6	1	19" compatible power supply, 250 W (3 U, 8 HP, part no. 13100-141)
7	1	AC input module, 3 U, 8 HP; AC line filter, 110 ... 250 V _{AC} , 50 ... 60 HZ, max. current 10 A
8	1	Hot-swap fan tray, extractable, 1 U, 3 x 12 V _{DC} fans
9	1	Front panel front, 3 U, 44 HP
10	1	Air baffle, 3 U, 160 mm deep
11	1	Front panel, rear, 3 U, 60 HP
12	1	Front panel, rear, 3 U, 4 HP
13	1	Cable harness to connect all system components



12309005

12309053



12409051

Backplane topology

Order Information

Height U	Height mm	Width HP	Depth mm	Number of slots	Part no.
4	177	84	275	8	24579-400

Accessories

Equipment cables	Page 3.38
Front panels	Page 7.5
Modules to mount drive units	Page 8.110
Front panels with handle	Page 7.32
Fan control modules (FCM)	Page 8.108

Note

- Modified systems available on request
- System in accordance with IEC 60297-3-101, -102, -103; IEEE 1101.1, 1101.10/11; backplane in accordance with PICMG 2.0 rev. 3.0 and 2.30



ServicePLUS see page 8.112



Open Modular Computing Specifications



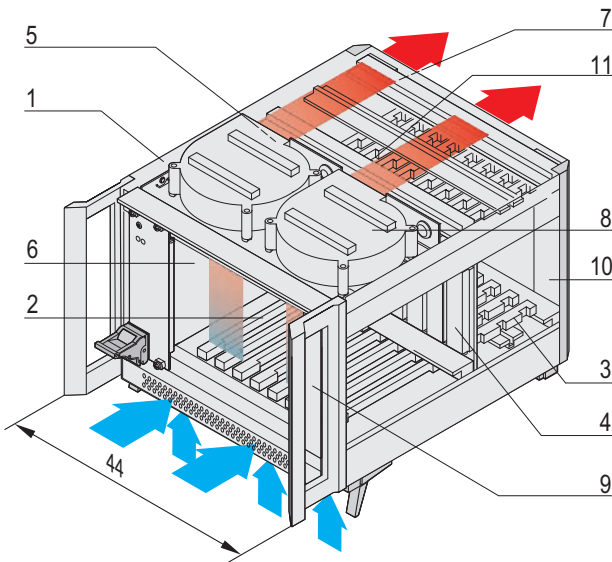
For further information www.schroff.biz/oneclick
oneClick search code = Part no.

Systems - CompactPCI PlusIO subrack systems

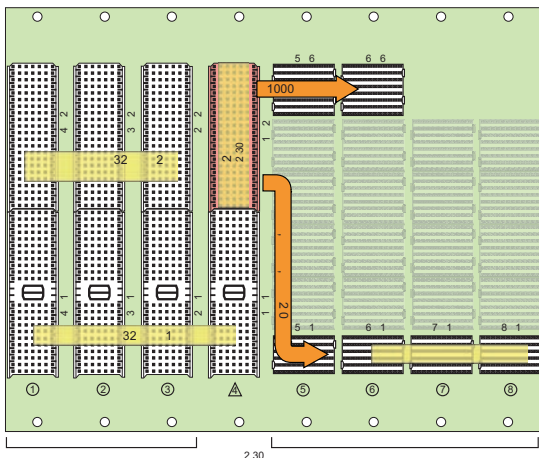
4 U, 8 slot, 44 HP, with rear I/O



12312001



12309052



12409051

Backplane topology



ServicePLUS see page 8.112



- System for vertical board mounting with board format
 - Front: 3 U, 160 mm deep
 - Rear I/O: 3 U, 80 mm deep, 3 slot
- Backplane
 - 4 slot, 3 U, 32 bit, CompactPCI
 - 4 slot, 3 U, CompactPCI PlusIO
 - Power Backplane
- 19" PSU, 250 W, 3 U, 8 HP
- Heat dissipation by two radial fans, from front to rear

NEW

Delivery comprises (completely assembled, wired and tested)

Item	Qty	Description
1	1	ratiopacPRO-air case, RAL 9006, shielded, perforated air inlet/exhaust openings front and rear; front handles RAL 7016
2	8	Front slot; IEEE guide rails, incl. ESD clips (ESD clips fitted at bottom front), for vertical boards (3 U, 160 mm deep)
3	3	Rear slot; IEEE guide rails, incl. ESD clips (ESD clips fitted at bottom), for vertical rear I/O boards (3 U, 80 mm deep)
4	1	Backplane for 3 U boards; 8 slots comprising 4 slots 32-bit CompactPCI plus 4 slots CompactPCI PlusIO (PICMG 2.30, part no. 23007-601)
5	1	Power backplane, 3 U, 8 HP with 1 x P47 connector part no. 23098-105
6	1	19" compatible power supply, 250 W (3 U, 8 HP; part no. 13100-141)
7	1	AC input module, 3 U, 8 HP; AC line filter, 110 ... 250 V _{AC} , 50 ... 60 HZ, max. current 10 A
8	2	Radial fan, 36 m ³ /h each, free blowing
9	1	Front panel, front, 3 U, 4 HP, removable
10	1	Front panel, rear, 3 U, 24 HP
11	1	Cable harness to connect all system components

Height U	Height mm	Width HP	Depth mm	Number of slots	Part no.
4	177	44	275	8	24579-605

Accessories	
Equipment cables	Page 3.38
Front panels	Page 7.5
Modules to mount drive units	Page 8.110
Front panels with handle	Page 7.32
Fan control modules (FCM)	Page 8.108

Note

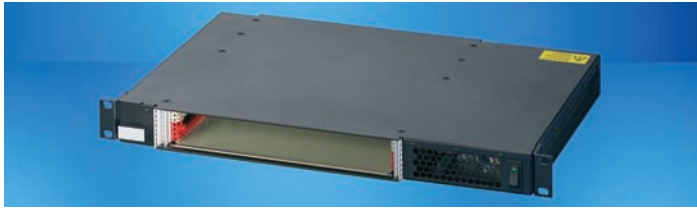
- Modified systems available on request
- System in accordance with IEC 60297-3-101, -102, -103; IEEE 1101.1, 1101.10/11; backplane in accordance with PICMG 2.0 rev. 3.0 and 2.30



For further information www.schroff.biz/oneclick
oneClick search code = Part no.

Systems - CompactPCI subrack systems

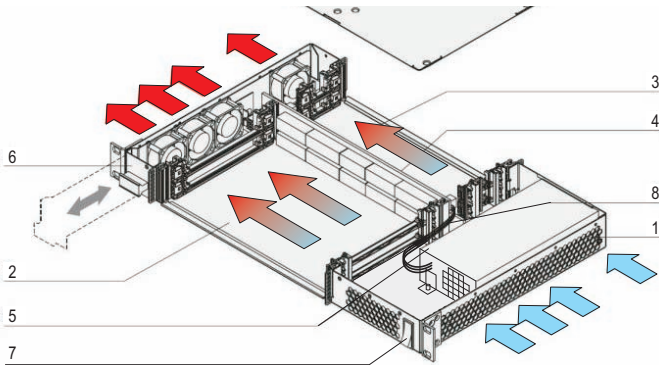
Systems, 1, 2, 3 U, with rear I/O and ATX PSU



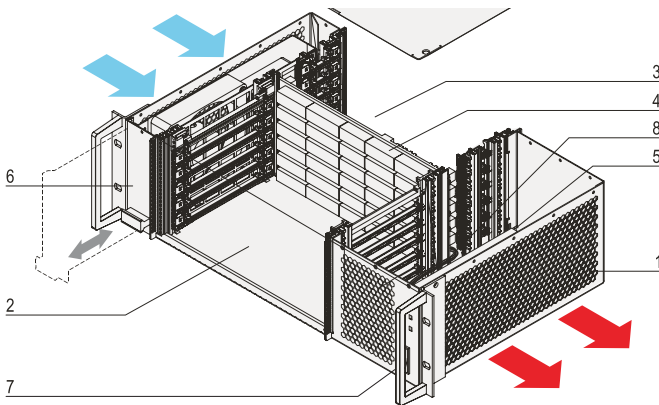
12305001



12305005



12304055



12304060

- System for horizontal board mounting with board format
 - Front: 6 U, 160 mm deep
 - Rear, rear I/O: 6 U, 80 mm deep
- Backplane: 2, 4, 6 slot, 64 bit; system slot on left
- ATX PSU
- Heat dissipation by extractable hot-swap fan unit;
 - in 1 U system from right to left;
 - in 2 and 3 U systems from left to right



Delivery comprises (completely assembled, wired and tested)

Item	Qty	Description
1	1	Shielded 19" chassis, St, powder-coated, black, RAL 9005
2	1	Number of front slots see Order Information; IEEE guide rails, incl. ESD clips (ESD clips fitted to front left), for horizontal board mounting (6 U, 160 mm deep)
3	1	Number of rear slots see Order Information; IEEE guide rails, incl. ESD clips (ESD clips fitted to front left), for horizontal mounting of rear I/O boards (6 U, 80 mm deep)
4	1	Backplane for 6 U boards, for number of slots see Order Information, 64 bit; system slot on the left
5	1	ATX PSU, wide input range 100 ... 240 V _{AC} (rating data see Order Information); IEC plug, switch (controls DC power only), LED (Power ON); Fan
6	1	Hot-swap fan unit, number of fans see Order Information
7	1	Mains switch
8	1	Cable harness to connect all system components

Note

- Modified systems available on request
- System in accordance with IEC 60297-3-101, -102, -103; IEEE 1101.1, 1101.10/11; backplane in accordance with PICMG 2.0 rev. 3.0 and 2.30



For further information www.schroff.biz/oneclick
oneClick search code = Part no.

Order Information

Height	Depth	Backplane	Fan unit	Power supply	Part no.
U	mm	Slots	Number of fans		
1	43.65	2 slot, 6 U	4	ATX 250 W, 3.3 V/14 A, 5 V/23 A, 12 V/16 A, -12 V/0.5 A	24579-077
2	88.10	4 slot, 6 U	2	ATX 250 W, 3.3 V/14 A, 5 V/20 A, 12 V/16 A, -12 V/0.8 A	24579-081
3	132.55	6 slot, 6 U	1 *)	ATX 300 W, 3.3 V/28 A, 5 V/35 A, 12 V/22 A, -12 V/0.8 A	24579-079

*) Systems with additional heat dissipation in rear I/O space for 3 U systems available on request



ServicePLUS see page 8.112

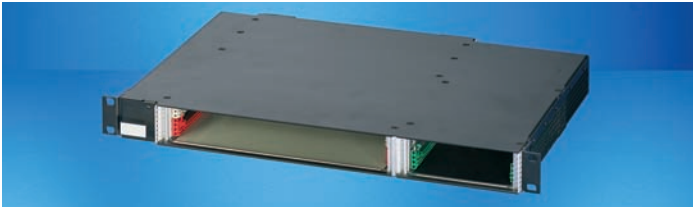


Accessories

Equipment cables	Page 3.38
Front panels	Page 7.5
Modules to mount drive units	Page 8.110
Front panels with handle	Page 7.32
Fan control modules (FCM)	Page 8.108

Systems - CompactPCI subrack systems

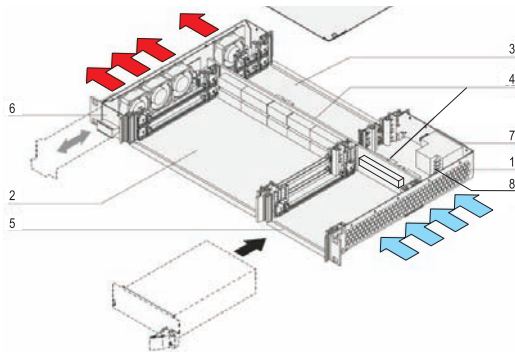
Systems, 1, 2, 3, 4 U, with rear I/O, for 19" PSU



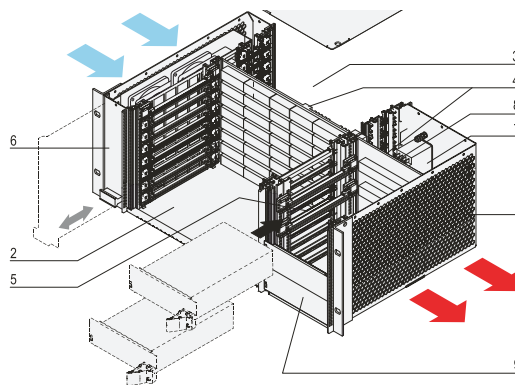
12305002



12305007



12304056



12305050

- System for horizontal board mounting with board format
 - Front: 6 U, 160 mm deep
 - Rear, rear I/O: 6 U, 80 mm deep
- Monolithic backplane for signals and power
 - 2, 4, 6, 8 slot, 6 U, 64 bit; system slot on left
 - Power plug to PICMG 2.11 (P 47)
- Prepared for installation of 19" CompactPCI PSUs (3 U, 8 HP)
- Heat dissipation by extractable hot swap fan unit; 1 U system from right to left; in 2, 3 and 4 U systems from left to right

Delivery comprises (completely assembled, wired and tested)

Item	Qty	Description
1	1	Shielded 19" chassis, St, powder-coated, black, RAL 9005
2	1	Number of slots to front see Order Information; IEEE guide rails, incl. ESD clips (ESD clips fitted front right), for horizontal board mounting (6 U, 160 mm deep)
3	1	Number of rear slots see Order Information; IEEE guide rails, incl. ESD clips (ESD clips fitted front right), for horizontal mounting of rear I/O boards (6 U, 80 mm deep)
4	1	Monolithic backplane for 6 U boards and voltage supply, for number of slots see Order Information, 64 bit; system slot left, in accordance with PICMG 2.0 rev. 3.0, voltage supply: 1 x P 47 socket for 1 U, 2 x P 47 socket for 2, 3, 4 U
5	1	Installation space for 19" CompactPCI power supply unit (3 U, 8 HP; For quantity see Order Information)
6	1	Hot-swap fan unit, number of fans see Order Information
7	1	AC input (IEC plug), mains filter module, fuse, mains switch
8	1	Cable harness to connect all system components
9	1	3 U, 8 HP front panel, mounted at front, from 2 U system

Note

- Modified systems available on request
- 48 V_{DC} version on request
- System in accordance with IEC 60297-3-101, -102, -103; IEEE 1101.1, 1101.10/11; backplane in accordance with PICMG 2.0 rev. 3.0 and 2.30

Order Information

Height U	Height mm	Depth mm	Backplane Slots	Fan unit Number of fans	Power supply (please order separately)	Quantity Connector type	Part no.
1	43.65	275	2 slot, 6 U	4	1	1 x P 47	24579-078
2	88.10	275	4 slot, 6 U	2	2	2 x P 47	24579-082
3	132.50	275	6 slot, 6 U	1 *)	2 ... 3	2 x P 47	24579-080
4	177.00	275	8 slot, 6 U	4 *)	2 ... 4	2 x P 47	24579-106

19" compatible power supply, 250 W, 3 U, 8 HP Please order PSU separately, see page 9.22 13100-141

*) Systems with additional heat dissipation in rear I/O space for 3 U and 4 U systems available on request

Accessories

Equipment cables	Page 3.38
Front panels	Page 7.5
Modules to mount drive units	Page 8.110
Front panels with handle	Page 7.32
Fan control modules (FCM)	Page 8.108



ServicePLUS see page 8.112

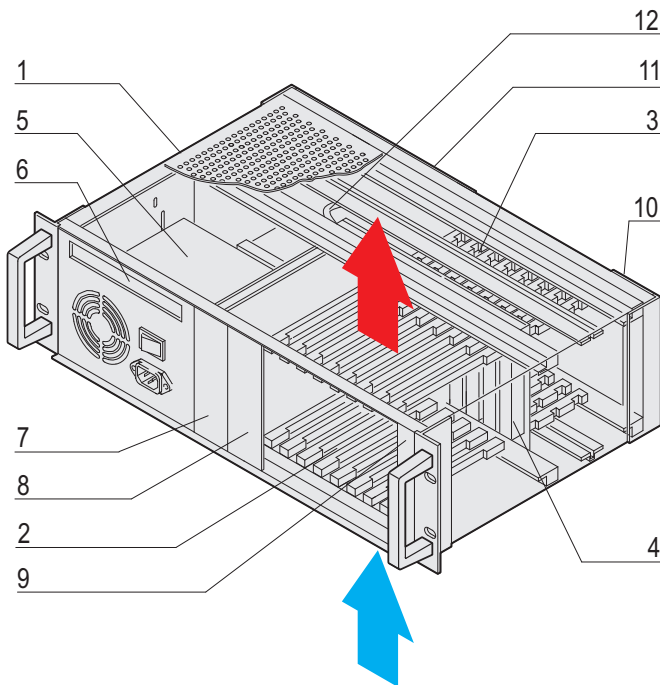


Systems - CompactPCI subrack systems

System, 3 U, 8 slot, with rear I/O



12302002



12303053

- System for vertical board mounting with board format
 - Front: 3 U, 160 mm deep
 - Rear, rear I/O: 3 U, 80 mm deep
- Backplane
 - 8 slot, 3 U, 32 bit; system slot on right
 - 8 HP wide CPU can be used
- ATX PSU, 300 W
- Heat dissipation by convection, upward from below
- Option to mount a slimline DVD drive and hard disk

Delivery comprises (completely assembled, wired and tested)

Item	Qty	Description
1	1	Shielded 19" chassis, AI; perforated top cover and base plate; 2 front handles
2	8	Front slot; IEEE guide rails, incl. ESD clips (ESD clips fitted bottom front), for vertical boards (3 U, 160 mm deep)
3	8	Rear slot; IEEE guide rails, incl. ESD clips (ESD clips fitted bottom), for vertical rear I/O boards (3 U, 80 mm deep)
4	1	Backplane for 3 U boards; 8 slot, 32 bit (part no. 23006-818); system slot on right, 4 HP (8 HP wide CPU can be used)
5	1	ATX power supply; 300 W; 32 HP, wide input range 100 ... 240 V _{AC} (3.3 V/28 A, 5 V/35 A, 12 V/22 A, -12 V/0.8 A); IEC AC input module with socket; mains switch; fan
6	1	Module to accommodate a slimline DVD drive unit
7	1	3 U, 8 HP module to accommodate a hard disk drive
8	1	Front panel front, 3 U, 8 HP
9	1	Front panel, front, 3 U, 4 HP, to expand system slot to 8 HP
10	1	Front panel, rear, 3 U, 4 HP
11	1	Front panel, rear, 3 U, 48 HP
12	1	Cable harness to connect all system components

Order Information

Height U	Height mm	Depth mm	Number of slots	Part no.
3	132.55	275	8	24579-031

Accessories

DC fan 12 V, air flow volume 140 m ³ /h, 119 x 119 x 32 mm, 1 piece	60713-600
Fan retainer for 119 x 119 x 32 mm fan, (E)PB foam, 1 piece	24579-212
Fan tray, 1 U for 3 or 6 U CompactPCI systems (boards assembled vertically), 1 piece	24579-105
Air filter consisting of filter holder and filter mat, PU 1 set	24579-033
Equipment cables	Page 3.38
Front panels	Page 7.5
Modules to mount drive units	Page 8.110
Front panels with handle	Page 7.32
Fan control modules (FCM)	Page 8.108

Note

- Modified systems available on request
- System in accordance with IEC 60297-3-101, -102, -103; IEEE 1101.1, 1101.10/11; backplane in accordance with PICMG 2.0 rev. 3.0 and 2.30



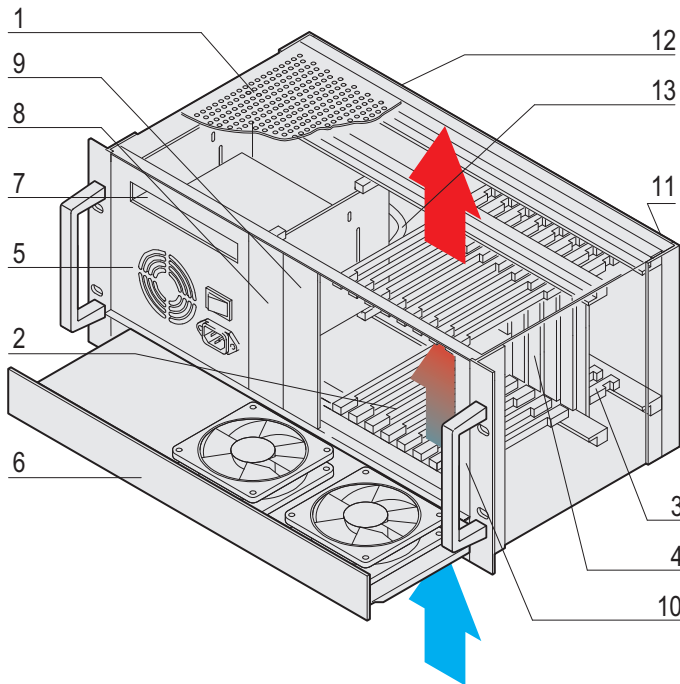
ServicePLUS see page 8.112

Systems - CompactPCI subrack systems

System, 4 U, 8 slot, with rear I/O,
ATX frame PSU



12308001



12308050

- System for vertical board mounting with board format
 - Front: 3 U, 160 mm deep
 - Rear, rear I/O: 3 U, 80 mm deep
- Backplane
 - 8 slot, 3 U, 32 bit; system slot on right
 - 8 HP wide CPU can be used
- ATX PSU, 300 W
- Heat dissipation by 1 U hot-swap fan unit, upward from below
- Option to mount a slimline DVD drive and hard disk

Delivery comprises (completely assembled, wired and tested)

Item	Qty	Description
1	1	Shielded 19" chassis, AI; perforated top cover and base plate; front handles
2	8	Front slot; IEEE guide rails, incl. ESD clips (ESD clips fitted to bottom front), for vertical boards (3 U, 160 mm deep)
3	8	Rear slot; IEEE guide rails, incl. ESD clips (ESD clips fitted to bottom), for vertical rear I/O boards (3 U, 80 mm deep)
4	1	Backplane for 3 U boards; 8 slot, 32 bit (part no. 23006-818); system slot on right, 4 HP (8 HP wide CPU can be used)
5	1	ATX power supply, 300 W; 32 HP, wide input range 100 ... 240 V _{AC} (3.3 V/28 A, 5 V/35 A, 12 V/22 A, -12 V/0.8 A); IEC AC input module with socket; mains switch; fan
6	1	Hot-swap fan tray, extractable, 1 U, 2 x 12 V _{DC} fans
7	1	Module to accommodate a slimline DVD drive unit
8	1	Module to accommodate a CD ROM drive, 3 U, 8 HP
9	1	Front panel, front, 3 U, 8 HP
10	1	Front panel, front, 3 U, 4 HP, removable, to expand system slot to 8 HP
11	1	Front panel, rear, 3 U, 4 HP
12	1	Front panel, rear, 3 U, 48 HP
13	1	Cable harness to connect all system components

Order Information

Height U	Height mm	Width HP	Depth mm	Number of slots	Part no.
4	177	84	275	8	24579-250

Accessories

Air filter consisting of filter holder and filter mat, PU 1 set	24579-033
Equipment cables	Page 3.38
Front panels	Page 7.5
Modules to mount drive units	Page 8.110
Front panels with handle	Page 7.32
Fan control modules (FCM)	Page 8.108

Note

- Modified systems available on request
- System in accordance with IEC 60297-3-101, -102, -103; IEEE 1101.1, 1101.10/11; backplane in accordance with PICMG 2.0 rev. 3.0 and 2.30



For further information www.schroff.biz/oneclick
oneClick search code = Part no.



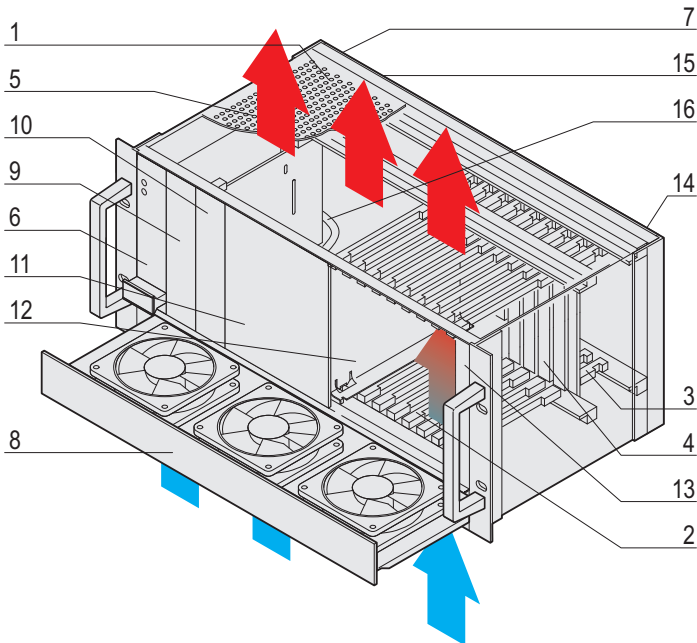
ServicePLUS see page 8.112

Systems - CompactPCI subrack systems

System, 4 U, 8 slot, with rear I/O,
19"-compatible PSU



12308005



12308052

- System for vertical board mounting with board format
 - Front: 3 U, 160 mm deep
 - Rear, rear I/O: 3 U, 80 mm deep
- Backplane
 - 8 slot, 3 U, 32 bit; system slot on right
 - 8 HP wide CPU can be used, power backplane
- 19"-compatible PSU, 250 W, 3 U, 8 HP
- Heat dissipation by 1 U hot-swap fan unit, from bottom to top
- Option to mount a hard disk

Delivery comprises (completely assembled, wired and tested)

Item	Qty	Description
1	1	Shielded 19" chassis, Al; perforated top cover and base plate; front handles
2	8	Front slot; IEEE guide rails, incl. ESD clips (ESD clips fitted to bottom front), for vertical boards (3 U, 160 mm deep)
3	8	Rear slot; IEEE guide rails, incl. ESD clips (ESD clips fitted to bottom), for vertical rear I/O boards (3 U, 80 mm deep)
4	1	Backplane for 3 U boards; 8 slot, 32 bit (part no. 23006-818); system slot on right, 4 HP (8 HP wide CPU can be used)
5	1	Power backplane, 3 U, 8 HP with 1 x P47 plug
6	1	19" compatible power supply, 250 W (3 U, 8 HP; part no. 13100-141)
7	2	AC input module, 3 U, 8 HP; AC line filter, 110 ... 250 V _{AC} , 50 ... 60 HZ, max. current 10 A
8	1	Hot-swap fan tray, extractable, 1 U, 3 x 12 V _{DC} fans
9	1	Front panel front, 3 U, 8 HP
10	1	3 U, 8 HP module to accommodate a hard disk drive
11	1	Front panel front, 3 U, 24 HP
12	1	Air baffle, 3 U, 160 mm deep
13	1	Front panel, front, 3 U, 4 HP, removable, to expand system slot to 8 HP
14	1	Front panel, rear, 3 U, 4 HP
15	1	Front panel, rear, 3 U, 40 HP
16	1	Cable harness to connect all system components

Order Information

Height U	Height mm	Width HP	Depth mm	Number of slots	Part no.
4	177	84	275	8	24579-260

Accessories

Air filter consisting of filter holder and filter mat, PU 1 set	24579-033
Equipment cables	Page 3.38
Front panels	Page 7.5
Modules to mount drive units	Page 8.110
Front panels with handle	Page 7.32
Fan control modules (FCM)	Page 8.108

Note

- Modified systems available on request
- System in accordance with IEC 60297-3-101, -102, -103; IEEE 1101.1, 1101.10/11; backplane in accordance with PICMG 2.0 rev. 3.0 and 2.30



Open Modular
Computing Specifications



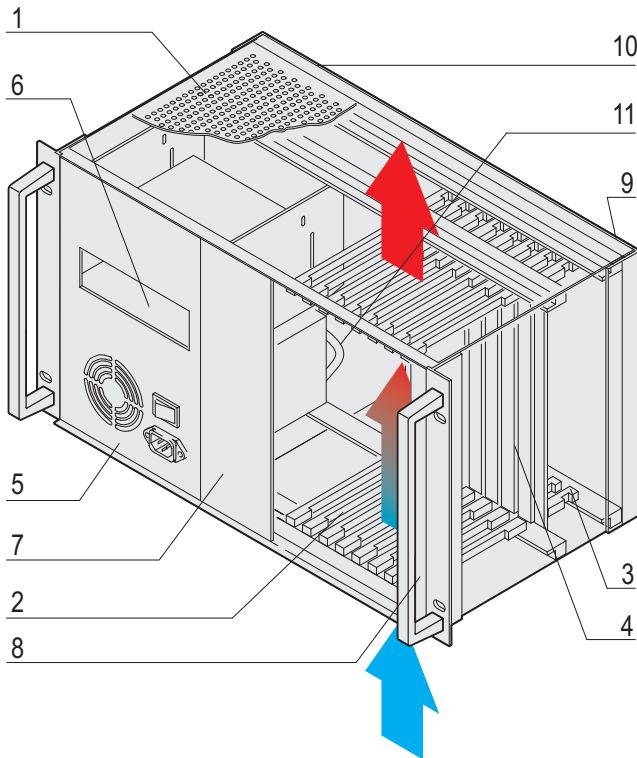
ServicePLUS see page 8.112

Systems - CompactPCI subrack systems

6 U, 8 slot, with rear I/O



12302004



12303056



Open Modular
Computing Specifications



ServicePLUS see page 8.112

- System for vertical board mounting with board format
 - Front: 6 U, 160 mm deep
 - Rear, rear I/O: 6 U, 80 mm deep
- Backplane
 - 8 slot, 6 U, 64 bit; system slot to right
 - 8 HP wide CPU can be used
- ATX PSU, 300 W
- Heat dissipation by convection, from bottom to top
- Option to mount a 5.25" DVD drive unit

Delivery comprises (completely assembled, wired and tested)

Item	Qty	Description
1	1	Shielded 19" chassis, AI; perforated top cover and base plate; 2 front handles
2	8	Front slot; IEEE guide rails, incl. ESD clips (ESD clips fitted to bottom front), for vertical boards (6 U, 160 mm deep)
3	8	Rear slot; IEEE guide rails, incl. ESD clips (ESD clips fitted to bottom), for vertical rear I/O boards (6 U, 80 mm deep)
4	1	Backplane for 6 U boards; 8 slot, 64 bit (part no. 23006-868); system slot on right, 4 HP (8 HP wide CPU can be used)
5	1	ATX power supply, 300 W, 32 HP, wide input range 100 ... 240 V _{AC} (3.3 V/28 A, 5 V/35 A, 12 V/22 A, -12 V/0.8 A); IEC AC input module with socket; mains switch; fan
6	1	Module to accommodate a 5.25" DVD drive
7	1	Front panel, front, 6 U, 16 HP
8	1	Front panel, front, 6 U, 4 HP, removable, to expand system slot to 8 HP
9	1	Front panel, rear, 6 U, 4 HP
10	1	Front panel, rear, 6 U, 48 HP
11	1	Cable harness to connect all system components

Order Information

Height U	Height mm	Depth mm	Number of slots	Part no.
6	265.9	275	8	24579-030

Accessories

DC fan 12 V, air flow volume 140 m ³ /h, 119 x 119 x 32 mm, 1 piece	60713-600
Fan retainer for 119 x 119 x 32 mm fan, (E)PB foam, 1 piece	24579-212
Fan tray, 1 U for 3 or 6 U CompactPCI systems (boards assembled vertically), 1 piece	24579-105
Air filter consisting of filter holder and filter mat, PU 1 set	24579-033
Equipment cables	Page 3.38
Front panels	Page 7.5
Modules to mount drive units	Page 8.110
Front panels with handle	Page 7.32
Fan control modules (FCM)	Page 8.108

Note

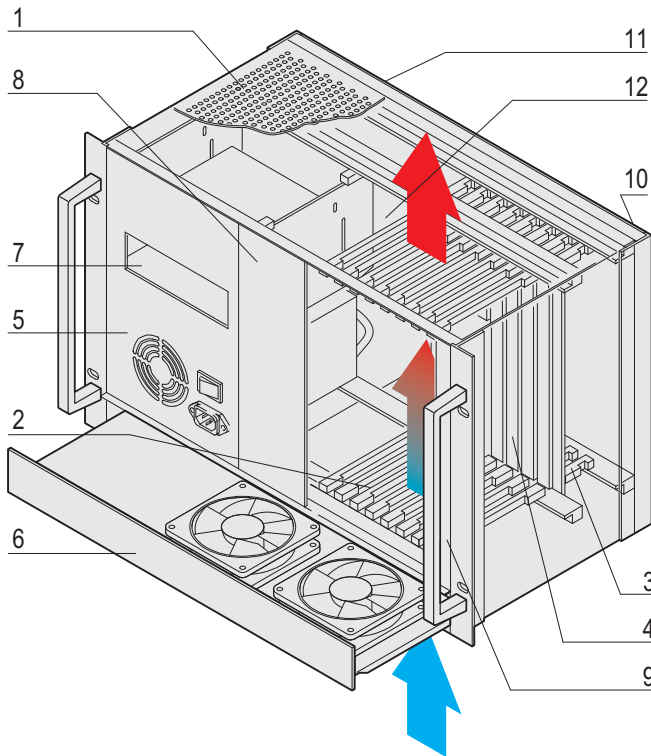
- Modified systems available on request
- System in accordance with IEC 60297-3-101, -102, -103; IEEE 1101.1, 1101.10/11; backplane in accordance with PICMG 2.0 rev. 3.0 and 2.30

Systems - CompactPCI subrack systems

System, 7 U, 8 slot, with rear I/O



12302013



12303057

- System for vertical board mounting with board format
 - Front: 6 U, 160 mm deep
 - Rear, rear I/O: 6 U, 80 mm deep
- Backplane
 - 8 slot, 6 U, 64 bit, system slot to right
 - 8 HP wide CPU can be used
- ATX PSU, 300 W
- Heat dissipation by 1 U hot-swap fan unit, from bottom to top
- Option to mount a 5.25" DVD drive unit

Delivery comprises (completely assembled, wired and tested)

Item	Qty	Description
1	1	Shielded 19" chassis, AI; perforated top cover and base plate; Front handles
2	8	Front slot; IEEE guide rails, incl. ESD clips (ESD clips fitted to bottom front), for vertical boards (6 U, 160 mm deep)
3	8	Rear slot; IEEE guide rails, incl. ESD clips (ESD clips fitted to bottom), for vertical rear I/O boards (6 U, 80 mm deep)
4	1	Backplane for 6 U boards; 8 slot, 64 bit (part no. 23006-868 ; system slot on right, 4 HP (8 HP wide CPU can be used)
5	1	ATX power supply, 300 W, 32 HP, wide input range 100 ... 240 V _{AC} (3.3 V/28 A, 5 V/35 A, 12 V/22 A, -12 V/0.8 A); IEC AC input module with socket; mains switch; fan
6	1	Hot-swap fan tray, extractable, 1 U, 2 x 12 V _{DC} fans
7	1	Module to accommodate a 5.25" DVD drive
8	1	Front panel, front, 6 U, 16 HP
9	1	Front panel, front, 6 U, 4 HP, removable, to expand system slot to 8 HP
10	1	Front panel, rear, 6 U, 4 HP
11	1	Front panel, rear, 6 U, 48 HP
12	1	Cable harness to connect all system components

Order Information

Height U	Height mm	Depth mm	Number of slots	Part no.
7	310.35	275	8	24579-026

Accessories

Air filter consisting of filter holder and filter mat, PU 1 set	24579-033
Equipment cables	Page 3.38
Front panels	Page 7.5
Modules to mount drive units	Page 8.110
Front panels with handle	Page 7.32
Fan control modules (FCM)	Page 8.108

Note

- Modified systems available on request
- System in accordance with IEC 60297-3-101, -102, -103; IEEE 1101.1, 1101.10/11; backplane in accordance with PICMG 2.0 rev. 3.0 and 2.30



For further information www.schroff.biz/oneclick
oneClick search code = Part no.



Open Modular
Computing Specifications



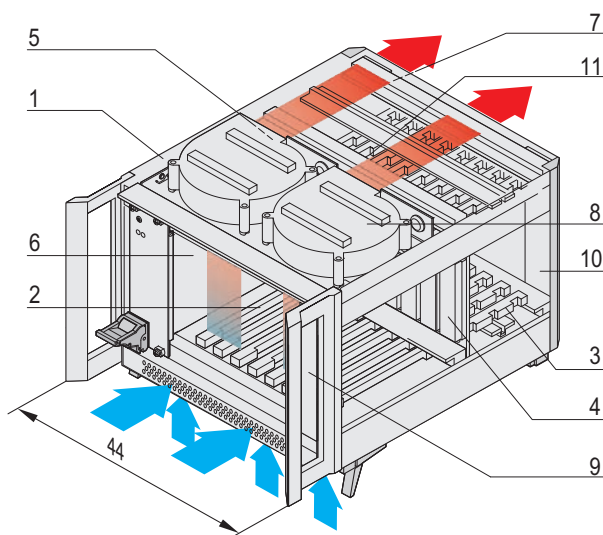
ServicePLUS see page 8.112

Systems - CompactPCI case systems

System, 4 U, 8 slot, 44 HP,
with rear I/O



12309003



12309052

- System for vertical board mounting with board format
 - Front: 3 U, 160 mm deep
 - Rear, rear I/O: 3 U, 80 mm deep
- Backplane
 - 8 slot, 3 U, 32 bit, system slot on right
 - 8 HP wide CPU can be used
- 19" PSU, 250 W, 3 U, 8 HP
- Heat dissipation by two radial fans, from front to rear

NEW

Delivery comprises (completely assembled, wired and tested)

Item	Qty	Description
1	1	ratiopacPRO-air case, RAL 9006, shielded, perforated air inlet/exhaust openings front and rear; front handles RAL 7016
2	8	Front slot; IEEE guide rails, incl. ESD clips (ESD clips fitted to bottom front), for vertical boards (3 U, 160 mm deep)
3	8	Rear slot; IEEE guide rails, incl. ESD clips (ESD clips fitted to bottom), for vertical rear I/O boards (3 U, 80 mm deep)
4	1	Backplane for 3 U boards; 8 slot, 32 bit (part no. 23006-818); system slot on right, 4 HP (8 HP wide CPU can be used)
5	1	Power backplane, 3 U, 8 HP with 1 x P47 plug
6	1	19" compatible power supply, 250 W (3 U, 8 HP; Part no. 13100-141)
7	1	AC input module, 3 U, 8 HP; AC line filter, 110 ... 250 V _{AC} , 50 ... 60 HZ, max. current 10 A
8	2	Radial fan, 36 m ³ /h each, free blowing
9	1	Front panel, front, 3 U, 4 HP, removable, to expand system slot to 8 HP
10	1	Front panel, rear, 3 U, 4 HP
11	1	Cable harness to connect all system components

Order Information

Height U	Height mm	Width HP	Depth mm	Number of slots	Part no.
4	177	44	275	8	24579-604

Accessories

Equipment cables	Page 3.38
Front panels	Page 7.5
Modules to mount drive units	Page 8.110
Front panels with handle	Page 7.32
Fan control modules (FCM)	Page 8.108

Note

- Modified systems available on request
- System in accordance with IEC 60297-3-101, -102, -103; IEEE 1101.1, 1101.10/11); Backplane, conforms to PICMG 2.0 rev. 3.0



For further information www.schroff.biz/oneclick
oneClick search code = Part no.



Open Modular
Computing Specifications



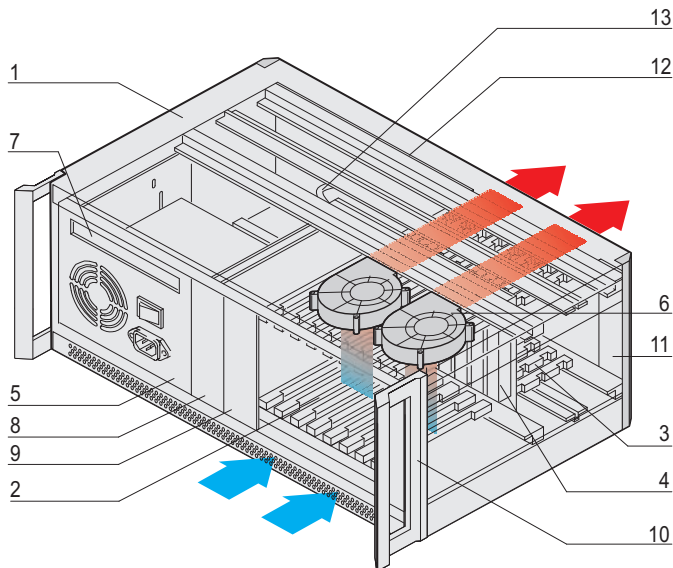
ServicePLUS see page 8.112

Systems - CompactPCI case systems

System, 4 U, 8 slot, with rear I/O



12304002



12304050

- System for vertical board mounting with board format
 - Front: 3 U, 160 mm deep
 - Rear, rear I/O: 3 U, 80 mm deep
- Backplane
 - 8 slot, 3 U, 32 bit, system slot to right
 - 8 HP wide CPU can be used
- ATX PSU, 300 W
- Heat dissipation by two radial fans, front to rear
- Option to mount a slimline DVD drive and hard disk

Delivery comprises (completely assembled, wired and tested)

Item	Qty	Description
1	1	ratiopacPRO-air case, RAL 9006, shielded, perforated air inlet/exhaust openings front and rear; front handles RAL 7016
2	8	Front slot; IEEE guide rails, incl. ESD clips (ESD clips fitted to bottom front), for vertical boards (3 U, 160 mm deep)
3	8	Rear slot; IEEE guide rails, incl. ESD clips (ESD clips fitted to bottom), for vertical rear I/O boards (3 U, 80 mm deep)
4	1	Backplane for 3 U boards; 8 slot, 32 bit (part no. 23006-818); system slot on right, 4 HP (8 HP wide CPU can be used)
5	1	ATX power supply, 300 W, wide range input 100 ... 240 V _{AC} , (3.3 V/28 A, 5 V/35 A, 12 V/22 A, -12 V/0.8 A); IEC AC input module with socket; mains switch; fan; 32 HP
6	2	Radial fan, 36 m ³ /h each, free blowing
7	1	Module to accommodate a slimline DVD drive unit
8	1	3 U, 8 HP module to accommodate a hard disk drive
9	1	Front panel, front, 3 U, 8 HP
10	1	Front panel, front, 3 U, 4 HP, removable, to expand system slot to 8 HP
11	1	Front panel, rear, 3 U, 4 HP
12	1	Front panel, rear, 3 U, 48 HP
13	1	Cable harness to connect all system components

Order Information

Height U	Height mm	Depth mm	Number of slots	Part no.
4	177	275	8	24579-602

Accessories

Spare fan unit Air barrier with 2 fitted radial fans, 1 piece	24579-225
Equipment cables	Page 3.38
Front panels	Page 7.5
Modules to mount drive units	Page 8.110
Front panels with handle	Page 7.32
Fan control modules (FCM)	Page 8.108

Note

- Modified systems available on request
- System in accordance with IEC 60297-3-101, -102, -103; IEEE 1101.1, 1101.10/11); Backplane, conforms to PICMG 2.0 rev. 3.0



Open Modular
Computing Specifications



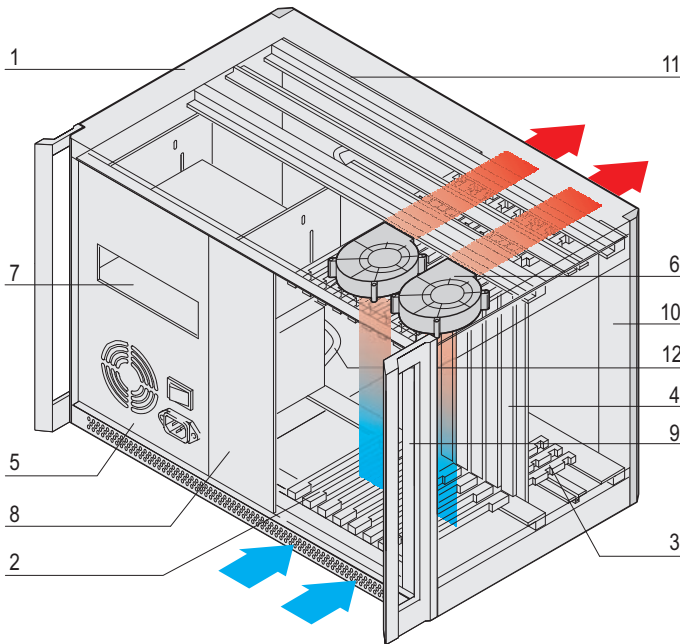
ServicePLUS see page 8.112

Systems - CompactPCI case systems

Systems, 7 U, 8 slot, with rear I/O



12304003



12304051

- System for vertical board mounting with board format
 - Front: 6 U, 160 mm deep
 - Rear, rear I/O: 6 U, 80 mm deep
- Backplane
 - 8 slot, 6 U, 64 bit, system slot to right
 - 8 HP wide CPU can be used
- ATX PSU, 300 W
- Heat dissipation by two radial fans, from front to rear
- Option to mount a 5.25" DVD drive unit

Delivery comprises (completely assembled, wired and tested)

Item	Qty	Description
1	1	ratiopacPRO-air case, RAL 9006, shielded, perforated air inlet/exhaust openings front and rear; front handles RAL 7016
2	8	Front slot; IEEE guide rails, incl. ESD clips (ESD clips fitted to bottom front), for vertical boards (6 U, 160 mm deep)
3	8	Rear slot; IEEE guide rails, incl. ESD clips (ESD clips fitted to bottom), for vertical rear I/O boards (6 U, 80 mm deep)
4	1	Backplane for 6 U boards; 8 slot, 64 bit (part no. 23006-868); system slot on right, 4 HP (8 HP wide CPU can be used)
5	1	ATX power supply, 300 W, wide input range 100 ... 240 V _{AC} (3.3 V/28 A, 5 V/35 A, 12 V/22 A, -12 V/0.8 A); IEC-plug; mains switch; fan; 32 HP
6	2	Radial fan, 36 m ³ /h each, free blowing
7	1	Module to accommodate a 5.25" DVD drive
8	1	Front panel, front, 6 U, 16 HP, for fitting a hard disk drive
9	1	Front panel, front, 6 U, 4 HP, removable, to expand width of system slot to 8 HP
10	1	Front panel, rear, 6 U, 4 HP
11	1	Front panel, rear, 6 U, 48 HP
12	1	Cable harness to connect all system components

Order Information

Height U	Height mm	Depth mm	Number of slots	Part no.
7	310.35	275	8	24579-612

Accessories

Spare fan unit Air barrier with 2 fitted radial fans, 1 piece	24579-225
Equipment cables	Page 3.38
Front panels	Page 7.5
Modules to mount drive units	Page 8.110
Front panels with handle	Page 7.32
Fan control modules (FCM)	Page 8.108

Note

- Modified systems available on request
- System in accordance with IEC 60297-3-101, -102, -103; IEEE 1101.1, 1101.10/11); Backplane, conforms to PICMG 2.0 rev. 3.0



For further information www.schroff.biz/oneclick
oneClick search code = Part no.



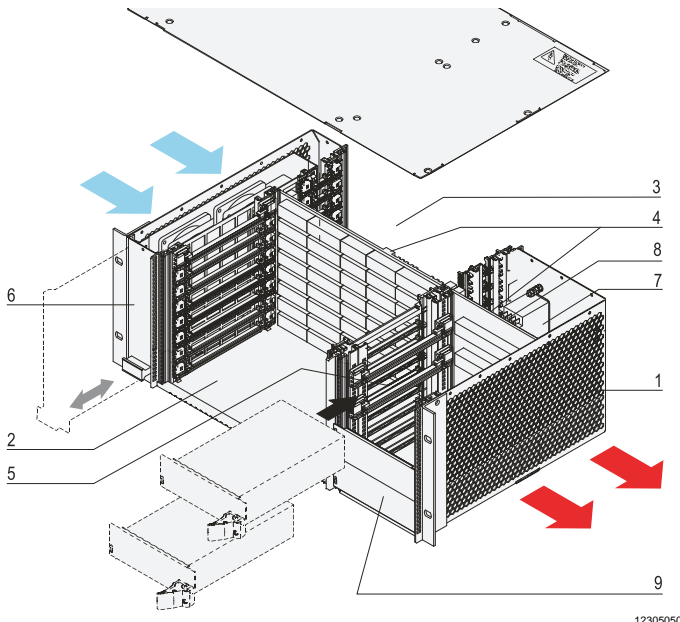
ServicePLUS see page 8.112

Systems - CompactPCI subrack systems, telecoms

System, 4 U, 8 slot, with rear I/O, for telecoms applications



12306003



12305050

- System for horizontal board mounting with board format
 - Front: 6 U, 160 mm deep
 - Rear, rear I/O: 6 U, 80 mm deep
- Monolithic backplane for (signals and power) 64-bit CompactPCI; PSB (**P**ackage **S**witched **B**ackplane), PICMG 2.16; H.110
 - 8 slot, 6 U, 64 bit CompactPCI (2 fabric/switch slots, 6 node slots H.110), system slot to left
 - Integrated power backplane with 2 x P 47 connectors
- Prepared to accept two 19" CompactPCI PSUs 250 W (3 U, 8 HP)
- Heat dissipation by extractable hot-swap fan unit, from left to right

Delivery comprises (completely assembled, wired and tested)

Item	Qty	Description
1	1	Shielded 19" chassis, St, powder-coated, black, RAL 9005
2	8	Front slot; IEEE guide rails, incl. ESD clips (ESD clips fitted to front right), for horizontal board mounting (6 U, 160 mm deep)
3	8	Rear slot; IEEE guide rails, incl. ESD clips (ESD clips fitted to front right), for horizontal mounting of rear I/O boards (6 U, 80 mm deep)
4	1	Backplane for 6 U boards and voltage supply (2 x P 47 sockets); 64-bit CompactPCI; PSB, 2 fabric/switch slots; 6 node H.110 bus slots; part no. 23006-611
5	-	Prepared to accommodate two 19" CompactPCI PSUs (250 W, 3 U, 8 HP), part no. 13100-141
6	1	Hot-swap fan unit, 4 fans, each 109 m ³ /h (64 cfm)
7	1	AC input (IEC plug), mains filter module, fuse, mains switch
8	1	Cable harness to connect all system components
9	2	Front panel front, 3 U, 8 HP

Order Information

Height U	Height mm	Depth mm	Number of slots	Part no.
4	177	275	8	24579-135

Accessories

19" compatible power supply, 250 W, 3 U, 8 HP Please order PSU separately, see page 9.22	13100-141
Fan tray for black systems, to ventilate rear I/O space 7 fans	24579-112
Equipment cables	Page 3.38
Front panels	Page 7.5
Modules to mount drive units	Page 8.110
Front panels with handle	Page 7.32
Fan control modules (FCM)	Page 8.108

Note

- Modified systems available on request
- System in accordance with IEC 60297-3-101, -102, -103; IEEE 1101.1, 1101.10/11); Backplane, conforms to PICMG 2.16



For further information www.schroff.biz/oneclick
oneClick search code = Part no.



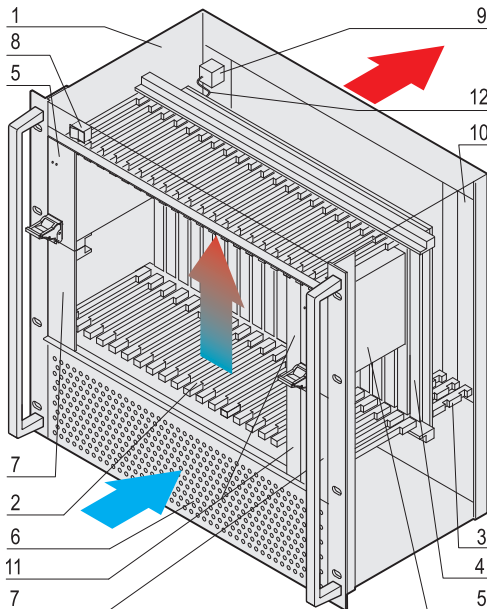
ServicePLUS see page 8.112

Systems - CompactPCI subrack systems, telecoms

System, 10 U, 16 slot, with rear I/O, for telecoms applications



12302005



12303058

- System for vertical board mounting with board format
 - Front: 6 U, 160 mm deep
 - Rear, rear I/O: 6 U, 80 mm deep
- Backplane, PSB (**package switched backplane**), PICMG 2.16
 - 16-slot, 6 U, 64 bit (2 fabric/switch slots, 14 node slots)
- Two 19" CompactPCI power supplies, 250 W (3 U, 8 HP), prepared for installation of two further 19" compatible PSUs
- Heat dissipation by fan module, from front to rear
- Prepared for system monitoring with a chassis monitoring module (CMM)

Delivery comprises (completely assembled, wired and tested)

Item	Qty	Description
1	1	Shielded 19" chassis, Al; perforated front panel to front and rear, 19" bracket in RAL 9006; remaining parts passivated in aluminium; front handles (RAL 9005)
2	16	Front slot; IEEE guide rails, incl. ESD clips (ESD clips fitted to bottom front), for vertical boards (6 U, 160 mm deep)
3	16	Rear slot; IEEE guide rails, incl. ESD clips (ESD clips fitted to front bottom), for vertical mounting of rear I/O boards (6 U, 80 mm deep)
4	1	PSB backplane for 6 U boards, 64 bit, 2 fabric/switch slots, 14 node slots, 2 CompactPCI segments, system slot left and right; part no. 23006-610
5	2	19" compatible power supply, 250 W (3 U, 8 HP); part no. 13100-141
6	1	Extractable fan unit with filter mat, 3 fans, 24 V _{DC} , 270 m ³ /h (160 cfm)
7	2	Front panel, front, 3 U, 8 HP, space for two further power supplies
8	1	DC switch on front
9	1	AC input (IEC connector), mains filter module, fuse, 6 U, 8 HP
10	1	Front panel, rear, 6 U, 8 HP
11	2	Front panel, front, 3 U, 4 HP, cover for optional CMM module space
12	1	Cable harness to connect all system components

Order Information

Height U	Height mm	Depth mm	Number of slots	Part no.
10	443.7	275	16	24579-028

Accessories

19" compatible power supply, 250 W, 3 U, 8 HP Please order PSU separately, see page 9.22	13100-141
Chassis monitoring module (CMM) 3 U, 4 HP, 160 mm deep, 1 piece Please order PSU separately, see page 8.109	23207-022
Equipment cables	Page 3.38
Front panels	Page 7.5
Modules to mount drive units	Page 8.110
Front panels with handle	Page 7.32
Fan control modules (FCM)	Page 8.108

Note

- Modified systems available on request
- System in accordance with IEC 60297-3-101, -102, -103; IEEE 1101.1, 1101.10/11); Backplane, conforms to PICMG 2.16



Open Modular
Computing Specifications



ServicePLUS see page 8.112

- Overview 0
- Cabinets 1
- Wall mounted cases 2
- Accessories for cabinets and wall mounted cases 3
- Climate control 4
- Desk-top cases 5
- Subracks/ 19" chassis ... 6
- Front panels, plug-in units .. 7
- Systems 8**
- Power supply units 9
- Backplanes .. 10
- Connectors, front panel component system 11
- Appendix 12

Systems - VME, VME64x, VXS, VPX



10006001

What we understand to be a system

We at Schreff regard a system as being a combination of mechanical components like a subrack or case with electronic components such as a backplane and power supply unit, a cooling unit where appropriate and a system management module.

A strong standard range

Our extensive and highly-developed standard range offers you mechanical, electronic and thermal components in an almost unlimited variety of dimensions and specifications. Simply select a complete ready system or configure your system from our standard components, online or using the catalogue, to your exact requirements.

Flexibility for modifications

Often only small adjustments are needed to create the required solution from a standard product. And we have set ourselves up to offer just that. We can make modifications in accordance with your individual specifications - with our usual speed and reliability.

Competent with new developments

If your requirements cannot be met with standard products or modified standard solutions, our qualified and experienced team will create a customised solution for your system. We have all the necessary development and manufacturing competencies gathered under one roof.

Standards/certifications

- Inner and outer dimensions in accordance with:
IEC 60297-3-101 / IEEE 1101.1
IEC 60297-3-102 / IEEE 1101.10/11
IEC 60297-3-103
- Ingress protection IP 20 in accordance with IEC 60529
- EMC testing in accordance with IEC 61587-3
- In accordance with VITA 1-1994 and VITA 1.1-1997

Areas of application

- Measurement, control and instrumentation technology
- Automation technology, machine monitoring
- Aerospace
- Defence technology
- Medical technology
- Test systems



User manual and technical documentation at www.schreff.biz/oneclick
Enter order number

Downloads and further important information can be found on the Internet under www.schreff.biz

Chassis and tower systems

- Standard systems from stock
- Individual configuration within 9 working days
- Robust mechanics, effective heat dissipation and EMC shielding



10002001

VME subrack systems

- 3 ... 8 U subrack systems, aluminium, silver
- With fan control module (FCM) for fan monitoring and control



VME64x subrack systems

- Subrack systems
 - 1, 2 U, steel, black (RAL 9005)
 - 3 ... 10 U, aluminium, silver
- With fan control module (FCM) for fan monitoring and control



10008001 10002007



VME64x

VXS

VME64x/VXS Tower systems

- Tower systems, aluminium, RAL 9006, RAL 7016
- With fan control module (FCM) for air monitoring and control
- Chassis suitable for use as a test system



10011001

VPX case system

- Case system, 4 U, RAL 9006, RAL 7016
- Well suited as test system



30407004

ServicePLUS from page 8.114

- e.g. individual configuration and assembly
- e.g. modifications (integration)
- e.g. downloads (CAD drawings, user manuals, test reports)
- e.g. custom solutions

www.schroff.biz/ServicePLUS

VME subrack systems

3 U, 5 slot	8.90
4 U, 8 slot	8.91
7 U, 12 slot	8.92
8 U, 21 slot	8.93

VME64x subrack systems

1 U, 2 slot	8.95
2 U, 4 slot	8.96
4 U, 8 slot	8.97
7 U, 12 slot	8.98
8 U, 21 slot	8.99
10 U, 21 slot	8.100

VME64x tower systems

7 slot without rear I/O	8.101
7 slot with rear I/O	8.102

VXS tower system

7 slot with rear I/O	8.103
----------------------	-------

VPX case system

4 U, 5 slot	8.104
-------------	-------

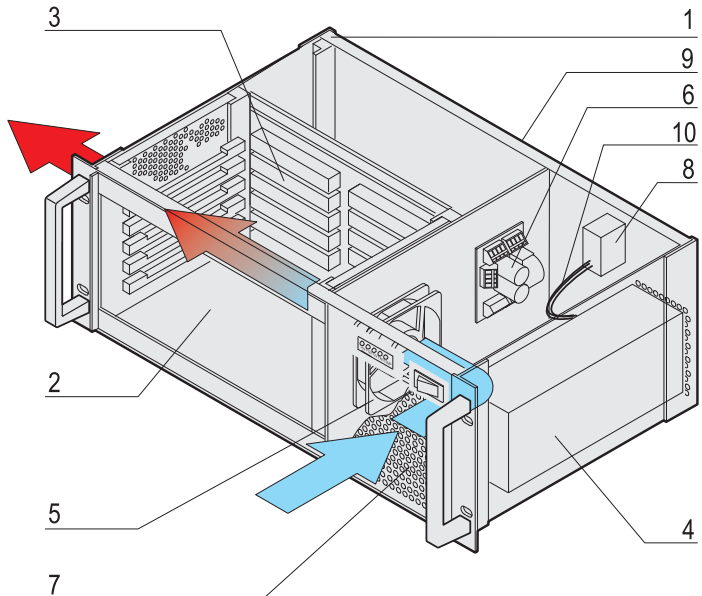
ServicePLUS .. 8.114

Systems - VME subrack systems

3 U, 5 slot



10002004



10002050

30402059

- System for horizontal board mounting with board format
 - Front: 6 U, 160 mm deep
- Backplane VME
 - 5 slot, 6 U, J1/J2 monolithic
- PSU, open frame, 250 W
- Heat dissipation by 1 fan, from front to left; temperature-controlled by fan control module (FCM)
- Display module for DC operating voltages, fan and temperature alarm

Delivery comprises (completely assembled, wired and tested)

Item	Qty	Description
1	1	Shielded 19" chassis, Al, with perforated side panels and front handles (RAL 7016)
2	5	Front slot; IEEE guide rails, incl. ESD clips (ESD clips fitted to right), for horizontal board mounting (6 U, 160 mm deep)
3	1	Backplane VME for 6 U boards, 5 slots, J1/J2 monolithic (part no. 23001-065)
4	1	Power supply unit, open frame; 250 W (part no. 11098-316)
5	1	Fan; temperature-dependent speed control
6	1	Fan control module (FCM) for fan monitoring/regulating (part no. 23207-021)
7	1	Front panel, perforated, 3 U; display module; mains switch
8	1	AC mains input (IEC 320-C14 plug), mains filter, mains fuse
9	1	Rear panel, Al
10	1	Cable harness to connect all system components

Order Information

Height U	Height mm	Depth mm	Number of slots	Part no.
3	132.55	277.5	5	20836-310

Accessories

Equipment cables	Page 3.38
Front panels	Page 7.5
Modules to mount drive units	Page 8.110
Front panels with handle	Page 7.18
Fan control modules (FCM)	Page 8.108

Note

- Modified systems available on request
- System in accordance with IEC 60297-3-101, -102, -103; IEEE 1101.1, 1101.10/11; Backplane konform zu VITA 1.1-1994



For further information www.schroff.biz/oneclick
oneClick search code = Part no.

MEMBER
VITA
Open Standards, Open Markets



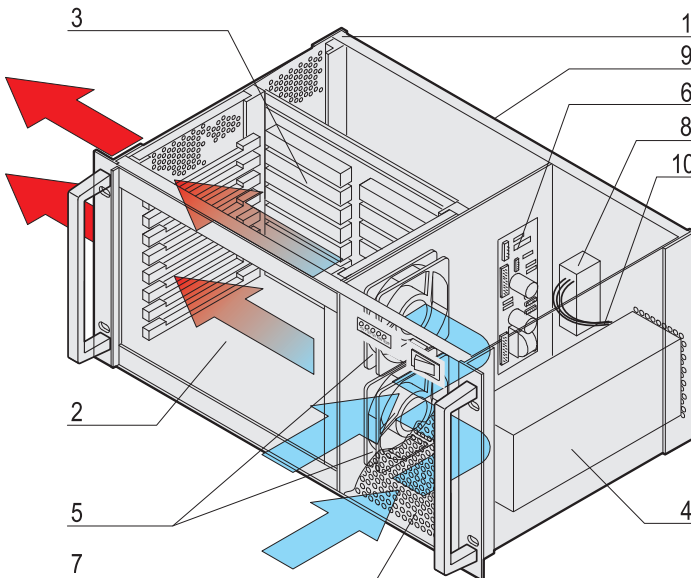
ServicePLUS see page 8.114

Systems - VME subrack systems

4 U, 8 slot



10002001



10006050



30402059



ServicePLUS see page 8.114

- System for horizontal board mounting with board format
 - Front: 6 U, 160 mm deep
- Backplane VME
 - 8 slot, 6 U, J1/J2 monolithic
- PSU, open frame, 444 W (400 W at <math>< 180 V_{AC}</math>)
- Heat dissipation by 2 fans, from front to left; temperature-controlled by fan control module (FCM)
- Display module for DC operating voltages, fan and temperature alarm

Delivery comprises (completely assembled, wired and tested)

Item	Qty	Description
1	1	Shielded 19" chassis, Al, with perforated side panels; front handles (RAL 7016)
2	8	Front slot; IEEE guide rails, incl. ESD clips (ESD clips fitted to right), for horizontal board mounting (6 U, 160 mm deep)
3	1	Backplane VME for 6 U boards, 8 slots, J1/J2 monolithic (part no. 23001-068)
4	1	Power supply unit, open frame; 444 W (400 W at <math>< 180 V_{AC}</math>; part no. 11098-267)
5	2	Fan; temperature-dependent speed control
6	1	Fan control module (FCM) for fan monitoring/regulating (part no. 23207-021)
7	1	Front panel, perforated, 4 U; display module; mains switch
8	1	AC mains input (IEC 320-C14 plug), mains filter, mains fuse
9	1	Rear panel, Al
10	1	Cable harness to connect all system components

Order Information

Height U	Height mm	Depth mm	Number of slots	Part no.
4	177	277.5	8	20836-415

Accessories

Equipment cables	Page 3.38
Front panels	Page 7.5
Modules to mount drive units	Page 8.110
Front panels with handle	Page 7.18
Fan control modules (FCM)	Page 8.108

Note

- Modified systems available on request
- System in accordance with IEC 60297-3-101, -102, -103; IEEE 1101.1, 1101.10/11; Backplane konform zu VITA 1.1-1994



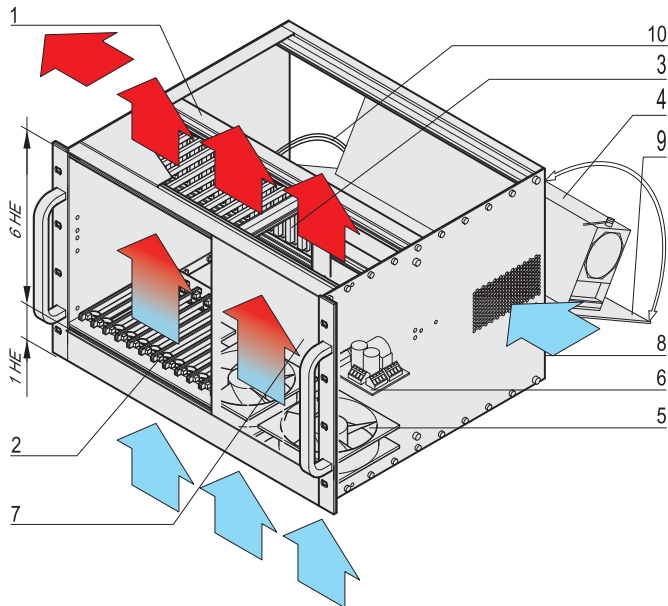
For further information www.schroff.biz/oneclick
oneClick search code = Part no.

Systems - VME subrack systems

7 U, 12 slot



10002003



10002054

1 HE = 1 U



30402059



ServicePLUS see page 8.114

- System for vertical board mounting with board format
 - Front: 6 U, 160 mm deep
- Backplane VME
 - 12 slot, 6 U, J1/J2 monolithic
- PSU, open frame, 444 W (400 W at < 180 V_{AC})
- Heat dissipation by pull-out hot-swap fan unit, from bottom to top; filter mat; temperature-controlled by fan control module (FCM)
- Display module for DC operating voltages, fan and temperature alarm

Delivery comprises (completely assembled, wired and tested)

Item	Qty	Description
1	1	Shielded 19" chassis, Al; 19" bracket, with plain top cover and base plate (RAL 9006); front handles (RAL 7016)
2	12	Front slot; IEEE guide rails, incl. ESD clips (ESD clips fitted to bottom front), for vertical board mounting (6 U, 160 mm deep)
3	1	Backplane VME for 6 U boards, 12 slots, J1/J2 monolithic (part no. 23001-072)
4	1	Power supply unit, open frame; 444 W (400 W at < 180 V _{AC} ; part no. 11098-267)
5	1	Hot-swap fan tray with 3 fans, pull-out, 1 U; air filter; temperature-dependent speed control
6	1	Fan control module (FCM) for fan monitoring/regulating (part no. 23207-028)
7	1	Front panel 6 U, 36 HP
8	1	AC mains input (IEC 320-C14 plug), mains filter, mains fuse, mains switch
9	1	Rear panel, hinged, Al, 6 U, 84 HP
10	1	Cable harness to connect all system components

Order Information

Height U	Height mm	Depth mm	Number of slots	Part no.
7 (1 + 6)	310.35	355	12	20836-715

Accessories

Air filter consisting of filter holder and filter mat, PU 1 set	24579-033
Backplanes	Page 10.15
Equipment cables	Page 3.38
Front panels	Page 7.5
Modules to mount drive units	Page 8.110
Front panels with handle	Page 7.18
Fan control modules (FCM)	Page 8.108

Note

- Modified systems available on request
- System in accordance with IEC 60297-3-101, -102, -103; IEEE 1101.1, 1101.10/11; Backplane konform zu VITA 1.1-1994



For further information www.schroff.biz/oneclick
oneClick search code = Part no.

Systems - VME subrack systems

7 U, 12 slot,
for transition modules

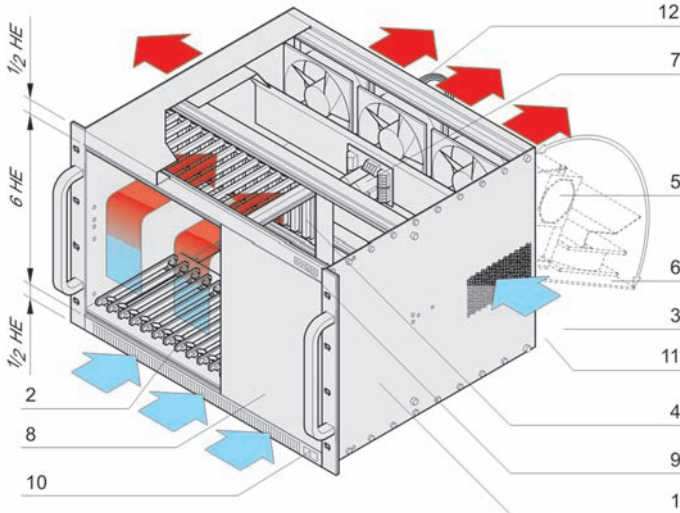


10002002

- System for vertical board mounting with board formats
 - Front: 6 U, 160 mm deep
 - Rear: 6 U, 12 HP, 80 mm deep; for transition modules
- Backplane VME
 - 12 slot, 6 U, J1/J2 monolithic
- PSU, open frame, 444 W (400 W at < 180 V_{AC})
- Heat dissipation by 3 fans, from front to rear; temperature-controlled by fan control module (FCM)
- Display module for DC operating voltages, fan and temperature alarm

Delivery comprises (completely assembled, wired and tested)

Item	Qty	Description
1	1	Shielded 19" chassis, Al; 19" bracket, plain top cover and base plate (RAL 9006); front handles (RAL 7016)
2	12	Front slot; IEEE guide rails, incl. ESD clips (ESD clips fitted to bottom front), for vertical board mounting (6 U, 160 mm deep)
3	3	Rear slot; IEEE guide rails, incl. ESD clips (ESD clips fitted to bottom front), for vertical mounting of transition module (6 U, 80 mm deep) covered with EMC front panel 6 U / 12 HP
4	1	Backplane VME for 6 U boards, 12 slots, J1/J2 monolithic (part no. 23001-072)
5	1	Power supply unit, open frame; 444 W (400 W at < 180 V _{AC} ; part no. 11098-267)
6	3	Fan; rear panel, hinged, 5 U, 84 HP; temperature-dependent speed control
7	1	Fan control module (FCM) for fan monitoring/regulating (part no. 23207-021)
8	1	Front panel 6 U, 36 HP
9	1	Display module
10	1	Mains switch
11	1	AC mains input (IEC 320-C14 plug), mains filter, mains fuse
12	1	Cable harness to connect all system components



10002056

1 HE = 1 U



ServicePLUS see page 8.114

30402059

Order Information

Height U	Height mm	Depth mm	Number of slots	Part no.
7 (1/2 + 6 + 1/2)	310.35	355	12	20836-716

Accessories

Backplanes	Page 10.15
Equipment cables	Page 3.38
Front panels	Page 7.5
Modules to mount drive units	Page 8.110
Front panels with handle	Page 7.18
Fan control modules (FCM)	Page 8.108

Note

- Modified systems available on request
- System in accordance with IEC 60297-3-101, -102, -103; IEEE 1101.1, 1101.10/11; Backplane konform zu VITA 1.1-1994



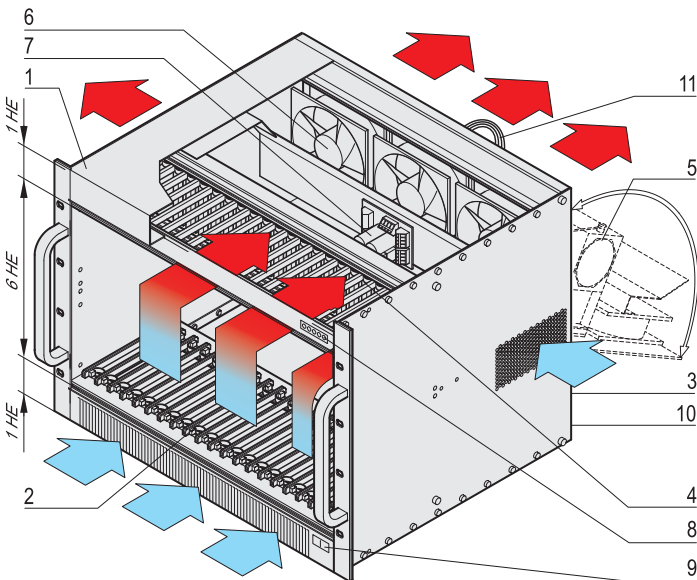
For further information www.schroff.biz/oneclick
oneClick search code = Part no.

Systems - VME subrack systems

8 U, 21 slot



10002005



10002058

1 HE = 1 U



30402059



ServicePLUS see page 8.114

- System for vertical board mounting with board formats
 - Front: 6 U, 160 mm deep
 - Rear: 6 U, 12 HP, 80 mm deep; for transition modules
- Backplane VME
 - 21 slot, 6 U, J1/J2 monolithic
- PSU, open frame, 744 W (600 W at < 180 V_{AC})
- Heat dissipation by 3 fans, from front to rear; temperature-controlled by fan control module (FCM)
- Display module for DC operating voltages, fan and temperature alarm

Delivery comprises (completely assembled, wired and tested)

Item	Qty	Description
1	1	Shielded 19" chassis, Al; 19" bracket, plain top cover and base plate (RAL 9006); front handles (RAL 7016)
2	21	Front slot; IEEE guide rails, incl. ESD clips (ESD clips fitted to bottom front), for vertical board mounting (6 U, 160 mm deep)
3	3	Rear slot; IEEE guide rails, incl. ESD clips (ESD clips fitted to bottom front), for vertical mounting of transition module (6 U, 80 mm deep) covered with EMC front panel 6 U/12 HP
4	1	Backplane VME for 6 U boards, 21 slots, J1/J2 monolithic (part no. 23001-081)
5	1	Power supply unit, open frame; 744 W (600 W at < 180 V _{AC} ; part no. 11098-140)
6	3	Fan; rear panel, hinged, 5 U, 84 HP; temperature-dependent speed control
7	1	Fan control module (FCM) for fan monitoring/regulating (part no. 23207-021)
8	1	Display module
9	1	Mains switch
10	1	AC mains input (IEC 320-C14 plug), mains filter, mains fuse
11	1	Cable harness to connect all system components

Order Information

Height U	Height mm	Depth mm	Number of slots	Part no.
8 (1 + 6 + 1)	354.8	355	21	20836-815

Accessories

Backplanes	Page 10.15
Equipment cables	Page 3.38
Front panels	Page 7.5
Modules to mount drive units	Page 8.110
Front panels with handle	Page 7.18
Fan control modules (FCM)	Page 8.108

Note

- Modified systems available on request
- System in accordance with IEC 60297-3-101, -102, -103; IEEE 1101.1, 1101.10/11; Backplane konform zu VITA 1.1-1994



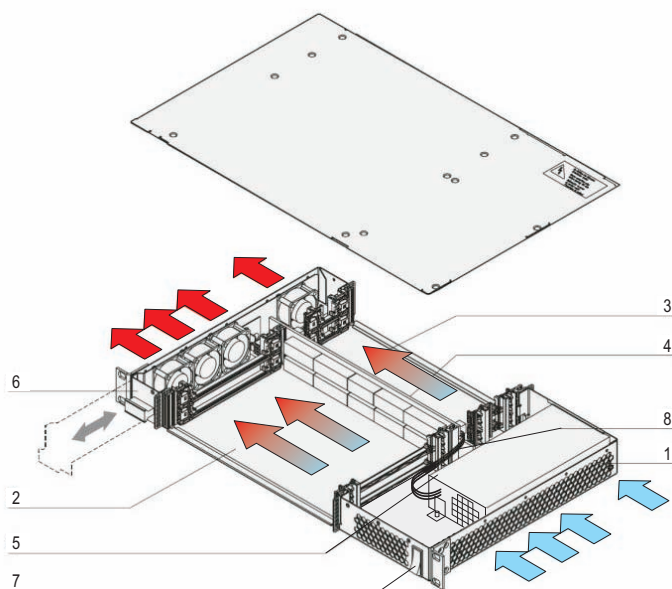
For further information www.schroff.biz/oneclick
oneClick search code = Part no.

System - VME64x subrack systems

1 U, 2 slot, with rear I/O



10005003



12304055

30402059

- System for horizontal board mounting with board formats
 - Front: 6 U, 160 mm deep
 - Rear, rear I/O: 6 U, 80 mm deep
- Backplane VME64x
 - 2 slot, 6 U, with P0 plug
- ATX PSU, 250 W
- Heat dissipation by pull-out hot-swap fan unit, from right to left
- Fan monitoring and voltage display

Delivery comprises (completely assembled, wired and tested)

Item	Qty	Description
1	1	Shielded 19" chassis, steel plate, black powder-coated (RAL 9005)
2	2	Front slot; IEEE guide rails, incl. ESD clips (ESD clips fitted to right), for horizontal mounting of rear I/O boards (6 U, 160 mm deep)
3	2	Rear slot; IEEE guide rails, incl. ESD clips (ESD clips fitted to right), for horizontal mounting of rear I/O boards (6 U, 80 mm deep)
4	1	Backplane VME64x for 6 U boards, 2 slot, with P0 plug, with connector plug for fan unit and ATX PSU
5	1	ATX power supply; 250 W; wide range input 100 ... 240 V _{AC} ; output 3.3 V/14 A, 5 V/23 A, 12 V/16 A, -12 V/0.5 A; with IEC connector; mains switch; fan
6	1	Hot-swap fan unit with 4 fans; incl. fan monitoring and voltage display
7	1	DC switch (with LED), switches off only the DC output of the power supply unit, power ON
8	1	Cable harness to connect all system components

Order Information

Height U	Height mm	Depth mm	Number of slots	Part no.
1	44.45	277.5	2	20836-145

Accessories

Equipment cables	Page 3.38
Front panels	Page 7.5
Modules to mount drive units	Page 8.110
Front panels with handle	Page 7.18

Note

- Modified systems available on request
- System in accordance with IEC 60297-3-101, 102, 103; IEEE 1101.1, 1101.10/11; backplane conforms to VITA 1.1-1997



For further information www.schroff.biz/oneclick
oneClick search code = Part no.



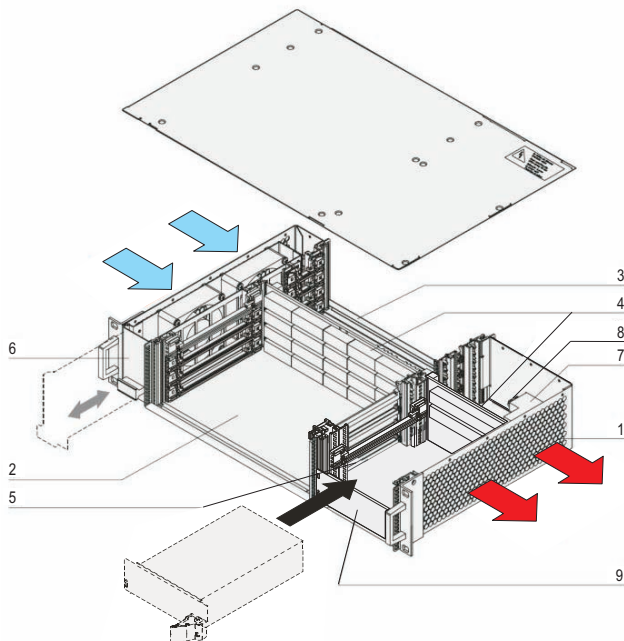
ServicePLUS see page 8.114

System - VME64x subrack systems

2 U, 4 slot, with rear I/O



10008001



12304057



30402059



ServicePLUS see page 8.114

- System for horizontal board mounting with board formats
 - Front: 6 U, 160 mm deep
 - Rear, rear I/O: 6 U, 80 mm deep
- Backplane VME64x
 - 4 slot, 6 U, with P0 plug
- Power backplane to PICMG 2.11 (P 47), prepared for installation of two 19" compatible PSUs, 250 W (3 U, 8 HP)
- Heat dissipation by pull-out hot-swap fan unit, from left to right
- Fan monitoring and voltage display

Delivery comprises (completely assembled, wired and tested)

Item	Qty	Description
1	1	Shielded 19" chassis, steel plate, black powder-coated (RAL 9005)
2	4	Front slot; IEEE guide rails, incl. ESD clips (ESD clips fitted to right), for horizontal mounting of rear I/O boards (6 U, 160 mm deep)
3	4	Rear slot; IEEE guide rails, incl. ESD clips (ESD clips fitted to right), for horizontal mounting of rear I/O boards (6 U, 80 mm deep)
4	1	Backplane VME64x for 6 U boards, 4 slots, with P0 plug (part no. 23001-534), power backplane, 2 x P47 plug (part no. 23098-115)
5	1	Installation space 3 U, 8 HP for two 19" compatible PSUs
6	1	Hot-swap fan unit with 2 fans (12 V _{DC}); incl. fan monitoring and voltage display
7	1	AC mains input module (IEC 320-C14 plug, mains filter, mains switch, mains fuse)
8	1	Cable harness to connect all system components
9	1	3 U, 8 HP front panel, front mounted

Order Information

Height U	Height mm	Depth mm	Number of slots	Part no.
2	88.1	277.5	4	20836-245

Accessories

19" compatible power supply, 250 W, 3 U, 8 HP Technical data see page 9.22	13100-141
Equipment cables	Page 3.38
Front panels	Page 7.5
Modules to mount drive units	Page 8.110
Front panels with handle	Page 7.18

Note

- Modified systems available on request
- System in accordance with IEC 60297-3-101, 102, 103; IEEE 1101.1, 1101.10/11; backplane conforms to VITA 1.1-1997



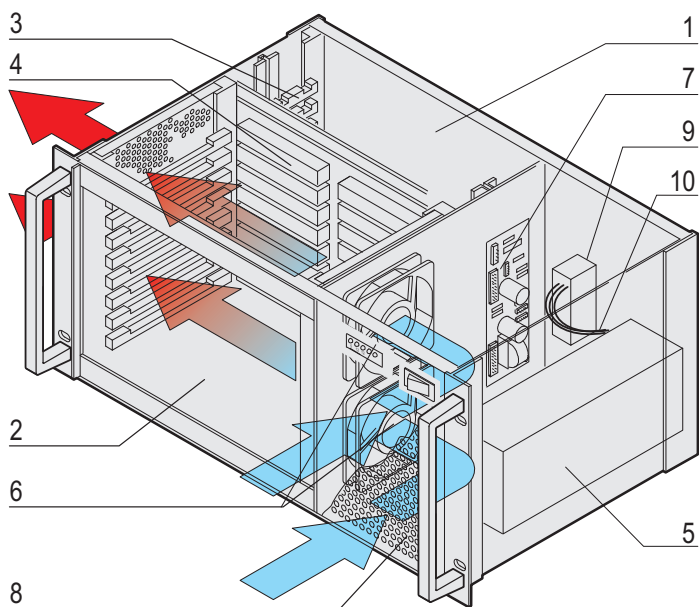
For further information www.schroff.biz/oneclick
oneClick search code = Part no.

System - VME64x subrack systems

4 U, 8 slot, with rear I/O



10002006



10002052



30402059



ServicePLUS see page 8.114

- System for horizontal board mounting with board formats
 - Front: 6 U, 160 mm deep
 - Rear, rear I/O: 6 U, 80 mm deep
- Backplane VME64x
 - 8 slot, 6 U, without P0 plug
- PSU, open frame, 560 W (400 W at <math>< 180 V_{AC}</math>)
- Heat dissipation by fan, from front to left
- Display module for DC operating voltages, fan and temperature alarm

Delivery comprises (completely assembled, wired and tested)

Item	Qty	Description
1	1	Shielded 19" chassis, Al, with perforated side panels and front handles (RAL 7016)
2	8	Front slot; IEEE guide rails, incl. ESD clips (ESD clips fitted to right), for horizontal mounting of rear I/O boards (6 U, 160 mm deep)
3	8	Rear slot; IEEE guide rails, incl. ESD clips (ESD clips fitted to right), for horizontal mounting of rear I/O boards (6 U, 80 mm deep)
4	1	Backplane VME64x for 6 U boards, 8 slots, without P0 plug (part no. 23001-508)
5	1	Power supply unit, open frame; 560 W (400 W at <math>< 180 V_{AC}</math>; part no. 11098-212)
6	2	Fan; temperature-dependent speed control
7	1	Fan control module (FCM) for fan monitoring/regulating (part no. 23207-021)
8	1	Front panel with ventilation openings, 4 U; display module, mains switch
9	1	AC mains input (IEC 320-C14 plug), mains filter, mains fuse
10	1	Cable harness to connect all system components

Order Information

Height U	Height mm	Depth mm	Number of slots	Part no.
4	177	277.5	8	20836-416

Accessories

Equipment cables	Page 3.38
Front panels	Page 7.5
Modules to mount drive units	Page 8.110
Front panels with handle	Page 7.18
Fan control modules (FCM)	Page 8.108

Note

- Modified systems available on request
- System in accordance with IEC 60297-3-101, 102, 103; IEEE 1101.1, 1101.10/11; backplane conforms to VITA 1.1-1997



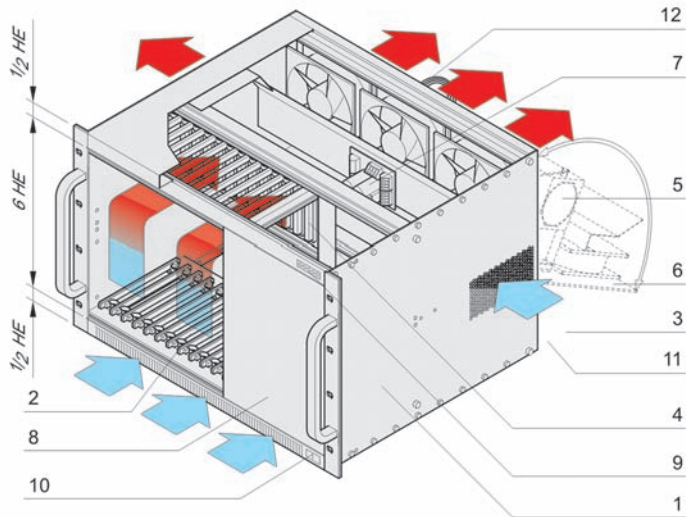
For further information www.schroff.biz/oneclick
oneClick search code = Part no.

System - VME64x subrack systems

7 U, 12 slot, with rear I/O



10002007



10002056

1 HE = 1 U



30402059



ServicePLUS see page 8.114

- System for vertical board mounting with board formats
 - Front: 6 U, 160 mm deep
 - Rear: 6 U, for 3 transition modules
- Backplane VME64x
 - 12 slot, 6 U, without P0 plug
- PSU, open frame, 642 W (600 W at < 180 V_{AC})
- Heat dissipation by fan, from front to rear
- Display module for DC operating voltages, fan and temperature alarm

Delivery comprises (completely assembled, wired and tested)

Item	Qty	Description
1	1	Shielded 19" chassis, Al; with plain top cover and base plate (RAL 9006); front handle (RAL 7016); 19" bracket
2	12	Front slot; IEEE guide rails, incl. ESD clips (ESD clips fitted to bottom front), for vertical board mounting (6 U, 160 mm deep)
3	3	Rear slot; for transition modules, for vertical board mounting (6 U, 4 HP)
4	1	Backplane VME64x for 6 U boards, 12 slots, without P0 plug (part no. 23001-512)
5	1	Power supply unit, open frame; 642 W (600 W at < 180 V _{AC} ; part no. 11098-207)
6	3	Fan; on hinged rear panel; speed control 5 U, 84 HP
7	1	Fan control module (FCM) for fan monitoring/regulating (part no. 23207-021)
8	1	Front panel 6 U, 36 HP;
9	1	Display module
10	1	Mains switch
11	1	AC mains input (IEC 320-C14 plug), mains filter, mains fuse
12	1	Front panel at rear with textile EMC gasket, 6 U, 12 HP
13	1	Cable harness to connect all system components

Order Information

Height U	Height mm	Depth mm	Number of slots	Part no.
7 (1/2+6+1/2)	310.35	355	12	20836-717

Accessories

Equipment cables	Page 3.38
Front panels	Page 7.5
Modules to mount drive units	Page 8.110
Front panels with handle	Page 7.18
Fan control modules (FCM)	Page 8.108

Note

- Modified systems available on request
- System in accordance with IEC 60297-3-101, 102, 103; IEEE 1101.1, 1101.10/11; backplane conforms to VITA 1.1-1997



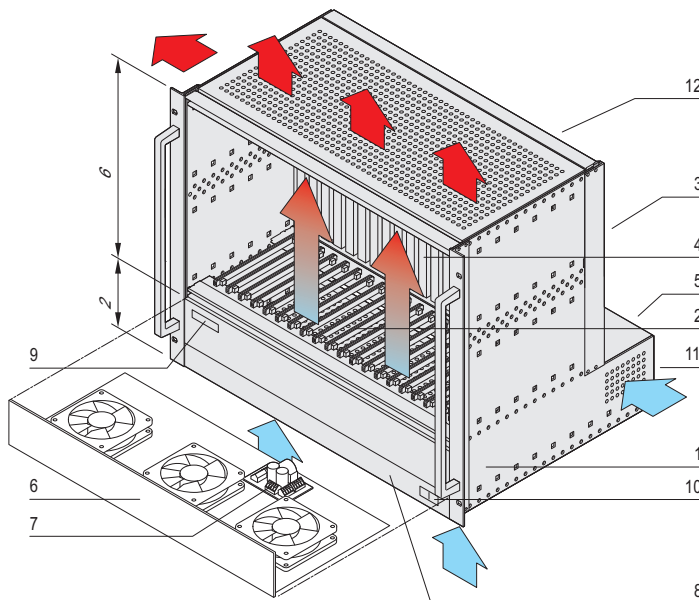
For further information www.schroff.biz/oneclick
oneClick search code = Part no.

System - VME64x subrack systems

8 U, 21 slot, with rear I/O



10005001



10005050

1 HE = 1 U



30402059



ServicePLUS see page 8.114

- System for vertical board mounting with board formats
 - Front: 6 U, 160 mm deep
 - Rear, rear I/O: 6 U, 80 mm deep
- Backplane VME64x
 - 21 slot, 6 U, with P0 plug
- PSU, open frame, 642 W (600 W at <math>< 180 V_{AC}</math>)
- Heat dissipation by pull-out fan unit, from bottom to top; temperature-controlled by fan control module (FCM)
- Display module for DC operating voltages, fan and temperature alarm

Delivery comprises (completely assembled, wired and tested)

Item	Qty	Description
1	1	Shielded 19" chassis, AI, with perforated top cover and base plate; front handles (RAL 7016), 19" bracket, front panels (RAL 9006)
2	21	Front slot; IEEE guide rails, incl. ESD clips (ESD clips fitted to bottom), for vertical board mounting (6 U, 160 mm deep)
3	21	Rear slot; IEEE guide rails, incl. ESD clips (ESD clips fitted to bottom), for vertical mounting of rear I/O boards (6 U, 80 mm deep)
4	1	Backplane VME64x for 6 U boards, 21 slots, with P0 plug (part no. 23001-551)
5	1	Power supply unit, open frame; 642 W (600 W at <math>< 180 V_{AC}</math>; part no. 11098-207)
6	1	Fan unit with 3 fans, 1.5 U (24 V _{DC} , 250 m ³ /h each, 148 cfm); temperature-dependent speed control; filter mat
7	1	Fan control module (FCM) for fan monitoring/regulating (part no. 23207-028)
8	1	Front panel 0,5 U, 84 HP;
9	1	Display module
10	1	Mains switch
11	1	AC mains input (IEC 320-C14 plug), mains filter, mains fuse
12	1	Cable harness to connect all system components

Order Information

Height U	Height mm	Depth mm	Number of slots	Part no.
8	354.8	412	21	20836-820

Accessories

Equipment cables	Page 3.38
Front panels	Page 7.5
Modules to mount drive units	Page 8.110
Front panels with handle	Page 7.18
Fan control modules (FCM)	Page 8.108

Note

- Modified systems available on request
- System in accordance with IEC 60297-3-101, 102, 103; IEEE 1101.1, 1101.10/11; backplane conforms to VITA 1.1-1997



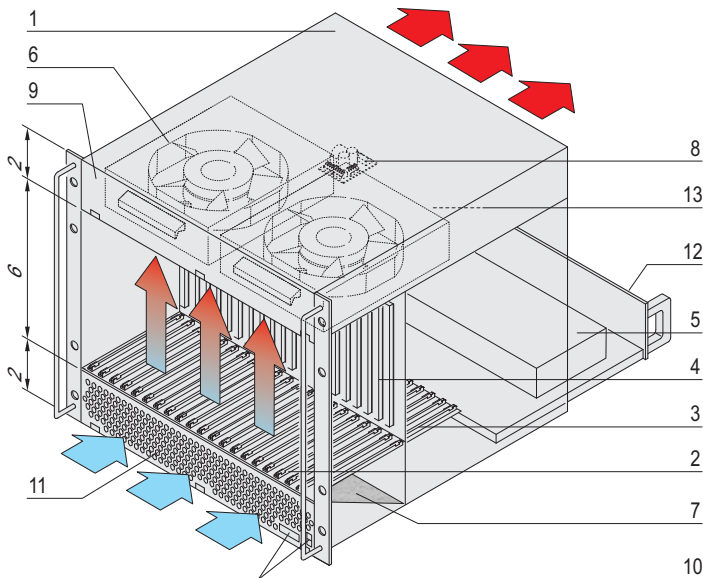
For further information www.schroff.biz/oneclick
oneClick search code = Part no.

System - VME64x subrack systems

10 U, 21 slot, with rear I/O



10002010



10002060

1 HE = 1 U



30402059



ServicePLUS see page 8.114

- System for vertical board mounting with board formats
 - Front: 6 U, 160 mm deep
 - Rear, rear I/O: 6 U, 80 mm deep
- Backplane VME64x
 - 21 slot, 6+1 U, with P0 plug
- PSU, open frame, 1000 W
- Heat dissipation by 2 pull-out fan units, from front to rear; temperature-controlled by fan control module (FCM)
- Display module for DC operating voltages, fan and temperature alarm

Delivery comprises (completely assembled, wired and tested)

Item	Qty	Description
1	1	Shielded 19" chassis, Al, with plain top cover and base plate; front handles (RAL 7016), 19" bracket, front panels (RAL 9006)
2	21	Front slot; IEEE guide rails, incl. ESD clips (ESD clips fitted to bottom), for vertical board mounting (6 U, 160 mm deep)
3	21	Rear slot; IEEE guide rails, incl. ESD clips (ESD clips fitted to bottom), for vertical mounting of rear I/O boards (6 U, 80 mm deep)
4	1	VME64x backplane for 6 U boards + 1 U, 21 slots, with P0 connector
5	1	Power supply unit, open frame; 1000 W; wide range input, 100 ... 240 V _{AC} output 3.3 V/60 A, 5 V/120 A, 12 V/17 A, -12 V/17 A; mounted fan
6	2	Fan module with speed-controlled radial fan (500 m ³ /h = 295 cfm each) for ventilation of boards; mounted behind hinged front panel (2 U)
7	1	Air filter
8	1	Fan control module (FCM) for fan monitoring/regulating (part no. 23207-021)
9	1	Front panel, hinged, 2 U, 84 HP
10	1	Display module; mains switch, DC
11	1	Front panel, hinged, perforated, 2 U, 84 HP
12	1	AC mains input (IEC 320-C14 plug), mains filter, mains fuse
13	1	Cable harness to connect all system components

Order Information

Height U	Height mm	Depth mm	Number of slots	Part no.
10	443.7	456.5	21	20836-220

Accessories

Fan module 1 piece	20836-855
Chassis Monitoring Module (CMM) for monitoring of voltage, temperature and digital inputs, 1 kit	20836-223
Equipment cables	Page 3.38
Front panels	Page 7.5
Modules to mount drive units	Page 8.110
Front panels with handle	Page 7.18
Fan control modules (FCM)	Page 8.108

Note

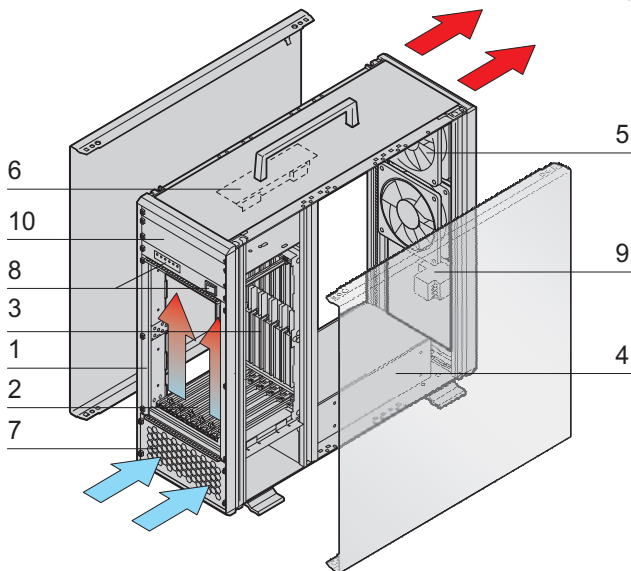
- Modified systems available on request
- System in accordance with IEC 60297-3-101, 102, 103; IEEE 1101.1, 1101.10/11; backplane conforms to VITA 1.1-1997

System - VME64x Tower systems

7 slot, without rear I/O



10005002



10006054

30402059

- Tower system for vertical board mounting with board format
 - Front: 6 U, 160 mm deep
- Backplane VME64x
 - 7 slot, 6 U, without P0 plug
- PSU, open frame, 560 W (400 W at <math>< 180 V_{AC}</math>)
- Heat dissipation by 2 fans, from front to rear; temperature-controlled with fan control module (FCM)
- Display module for DC operating voltages and fan alarm
- Option to mount a 5.25" DVD drive unit

Delivery comprises (completely assembled, wired and tested)

Item	Qty	Description
1	1	Tower system based on ratiopacPRO case, shielded, 500 mm deep, lateral parts in RAL 9006; handle, front frame and feet in RAL 7016
2	7	Front slot; IEEE guide rails, incl. ESD clips (ESD clips fitted to bottom), for vertical board mounting (6 U, 160 mm deep)
3	1	Backplane VME64x for 6 U boards, 7 slots, without P0 plug (part no. 23001-507)
4	1	Power supply unit, open frame; 560 W (400 W at <math>< 180 V_{AC}</math>; part no. 11098-212)
5	2	Fan; speed-controlled; for ventilation of boards
6	1	Fan control module (FCM) for fan monitoring/regulating (part no. 23207-021)
7	1	Front panel, perforated, 4 U
8	1	Display module; mains switch
9	1	AC mains input (IEC 320-C14 plug), mains filter, mains fuse
10	1	Module to accommodate a 5.25" DVD drive unit
11	1	Cable harness to connect all system components

Order Information

Height mm	Width mm	Depth mm	Number of slots	Part no.
496.25	177.00	500	7	10836-050

Accessories

Equipment cables	Page 3.38
Front panels	Page 7.5
Modules to mount drive units	Page 8.110
Front panels with handle	Page 7.18
Fan control modules (FCM)	Page 8.108

Note

- Modified systems available on request
- System in accordance with IEC 60297-3-101, 102, 103; IEEE 1101.1, 1101.10/11; backplane conforms to VITA 1.1-1997



For further information www.schroff.biz/oneclick
oneClick search code = Part no.



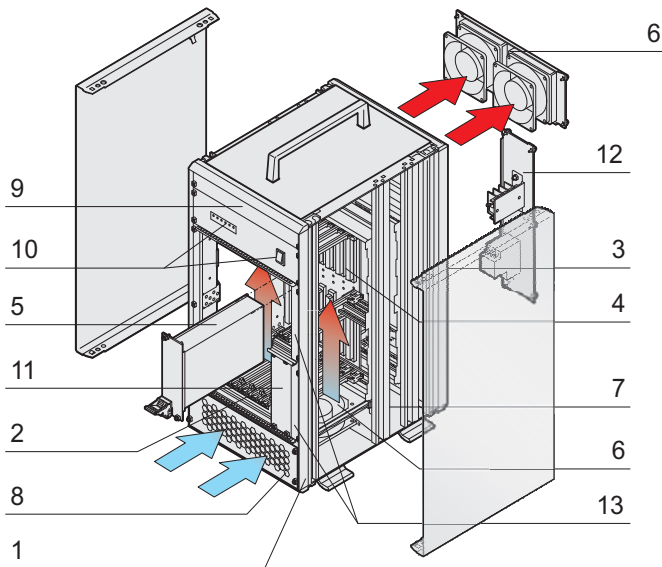
ServicePLUS see page 8.114

System - VME64x Tower systems

7 slot, with rear I/O



10005004



10006052

30402059

MEMBER
VITA
Open Standards, Open Markets



ServicePLUS see page 8.114

- Tower system for vertical board mounting with board formats
 - Front: 6 U, 160 mm deep
 - Rear, rear I/O: 6 U, 80 mm deep
- Backplane VME64x
 - 7 slot, 6 U, without P0 plug
- PSU, 19" compatible, 250 W; a second PSU can optionally be fitted
- Heat dissipation by 4 fans, from front to rear; temperature-controlled with fan control module (FCM)
- Display module for DC operating voltages and fan and temperature alarm
- Option to mount a 5.25" DVD drive unit

Delivery comprises (completely assembled, wired and tested)

Item	Qty	Description
1	1	Tower system based on ratiopacPRO case, shielded, 300 mm deep, lateral parts in RAL 9006; handle, front frame and feet in RAL 7016
2	7	Front slot; IEEE guide rails, incl. ESD clips (ESD clips fitted to bottom), for vertical board mounting (6 U, 160 mm deep)
3	7	Rear slot; IEEE guide rails, incl. ESD clips (ESD clips fitted to bottom), for vertical mounting of rear I/O boards (6 U, 80 mm deep)
4	1	VME64x backplane for 6 U boards, 7 slots, without P0 connector
5	1	19" compatible power supply, 250 W (3 U, 8 HP; part no. 13100-141)
6	4	Fan; speed-controlled; for ventilation of boards
7	1	Fan control module (FCM) for fan monitoring/regulating (part no. 23207-021)
8	1	Front panel, perforated, 5 U
9	1	Module to accommodate a 5.25" DVD drive unit
10	1	Display module; mains switch
11	1	Front panel 3 U, 8 HP; removable, to allow fitting of a further chassis power supply unit
12	1	AC mains input (IEC 320-C14 plug), mains filter, mains fuse
13	2	Front panel 3 U, 4 HP;
14	1	Cable harness to connect all system components

Order Information

Height mm	Width mm	Depth mm	Number of slots	Part no.
496.25	221.45	300	7	10836-045

Accessories

19" compatible power supply, 250 W, 3 U, 8 HP	13100-141
1 piece, technical data see page 9.22	
Air filter kit	20836-235
1 piece	
Equipment cables	Page 3.38
Front panels	Page 7.5
Modules to mount drive units	Page 8.110
Front panels with handle	Page 7.18
Fan control modules (FCM)	Page 8.108

Note

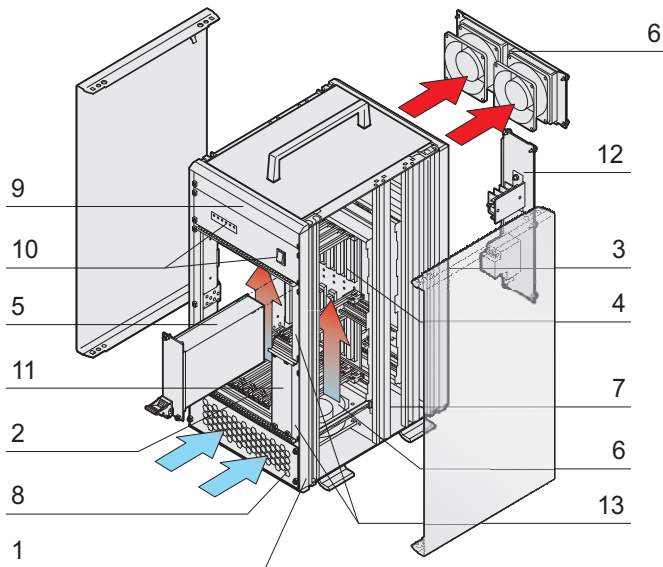
- Modified systems available on request
- System in accordance with IEC 60297-3-101, 102, 103; IEEE 1101.1, 1101.10/11; backplane conforms to VITA 1.1-1997

Systems - VXS (VITA 41) Tower systems

7 slot, with rear I/O



10006002



10006052

- Tower system for vertical board mounting with board formats
 - Front: 6 U, 160 mm deep
 - Rear, rear I/O: 6 U, 80 mm deep
- Backplane VXS/VME64x
 - 4 slot VME64x, 6 U, with P0 plug
 - 3 x VXS payload slots connected as ring
- PSU, 19" compatible, 250 W; a second PSU can optionally be fitted
- Heat dissipation by 4 fans, from front to rear; temperature-controlled with fan control module (FCM)
- Display module for DC operating voltages and fan and temperature alarm
- Option of fitting a 5.25" DVD drive unit

Delivery comprises (completely assembled, wired and tested)

Item	Qty	Description
1	1	Tower system based on ratiopacPRO case, shielded, 300 mm deep, lateral parts in RAL 9006; handle, front frame and feet in RAL 7016
2	7	Front slot; IEEE guide rails, incl. ESD clips (ESD clips fitted to bottom), for vertical board mounting (6 U, 160 mm deep)
3	7	Rear slot; IEEE guide rails, incl. ESD clips (ESD clips fitted to bottom), for vertical mounting of rear I/O boards (6 U, 80 mm deep)
4	1	VXS backplane, 3 slots VME64x, 4 slot; for 6 U boards; with P0 connector; 3 x VXS payload slots, ring connected (part no. 23001-701)
5	1	19" compatible power supply, 250 W (3 U, 8 HP; part no. 13100-141)
6	4	Fan; speed-controlled; for ventilation of boards
7	1	Fan control module (FCM) for fan monitoring/regulating (part no. 23207-021)
8	1	Front panel, perforated, 5 U
9	1	Module to accommodate a 5.25" DVD drive unit
10	1	Display module; mains switch
11	1	Front panel 3 U, 8 HP; for fitting a further plug-in power supply
12	1	AC mains input (IEC 320-C14 plug), mains filter, mains fuse
13	2	Front panel 3 U, 4 HP;
14	1	Cable harness to connect all system components



30407001



ServicePLUS see page 8.114

Order Information

Height mm	Width mm	Depth mm	Number of slots	Part no.
496.25	221.45	300	7	10836-060

Accessories

19" compatible power supply, 250 W, 3 U, 8 HP 1 piece, technical data page 9.22	13100-141
Air filter kit 1 piece	20836-235
Equipment cables	Page 3.38
Front panels	Page 7.5
Modules to mount drive units	Page 8.110
Front panels with handle	Page 7.18

Note

- Modified systems available on request
- System in accordance with IEC 60297-3-101, -102, -103; IEEE 1101.1, 1101.10/11;
- Backplane, conforms to VITA 41.0, -41.1, -41.10, -41.11

Systems - VPX case systems

4 U, 5 slot

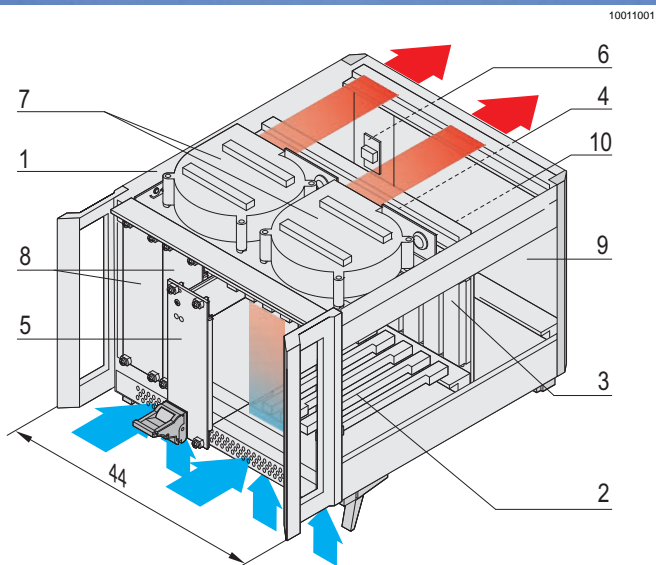


- System for vertical board mounting with board format 3 U, 160 mm deep
- VPX backplane, in accordance with VITA 46, 5 slot, 3 U, 0.8" pitch, full mesh topology
- 19" PSU, 250 W, 3 U, 8 HP (further PSU optional)
- Heat dissipation by 2 radial fans, from front to rear

NEW

Delivery comprises (completely assembled, wired and tested)

Item	Qty	Description
1	1	ratiopacPRO-air case, RAL 9006, shielded, perforated air inlet/exhaust openings front and rear; front handles RAL 7016
2	5	Front slot; IEEE guide rails, incl. ESD clips (ESD clips fitted to bottom front), for vertical board mounting (3 U, 160 mm deep)
3	1	Backplane for 3 U boards; 5 slot VPX, full mesh topology
4	1	Power backplane, 3 U, 8 HP with 2 x P47 connector
5	1	19" compatible power supply, 250 W (3 U, 8 HP; part no. 13100-141)
6	1	AC input module, rear, 3 U, 8 HP 110 ... 250 V _{AC} ; 50 ... 60 HZ, max. current 10 A; AC line filter, switch, fuse
7	2	Radial fan, 36 m ³ /h each, free blowing
8	2	Front panel, front, 3 U, 8 HP
9	1	Front panel, rear, 3 U, 36 HP
10	1	Cable harness to connect all system components



Order Information

Height U	Height mm	Width HP	Depth mm	Number of slots	Part no.
4	177	44	275	5	20836-444

Accessories

Equipment cables	Page 3.38
Front panels	Page 7.5
Modules to mount drive units	Page 8.110
Front panels with handle	Page 7.18
Fan control modules (FCM)	Page 8.108

Note

- Modified systems available on request



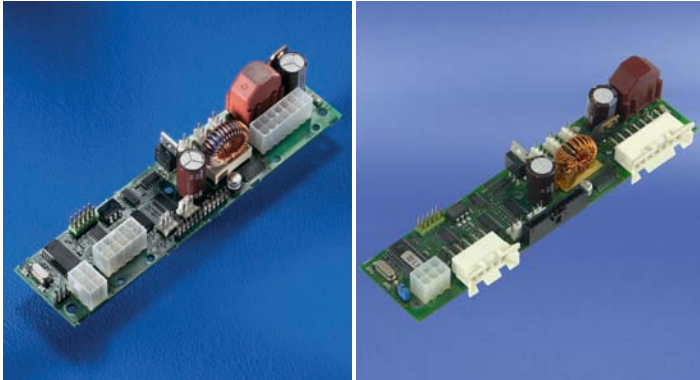
For further information www.schroff.biz/oneclick
oneClick search code = Part no.



ServicePLUS see page 8.114

Systems - VPX case systems

Fan Control Modules (FCM)



FCM with straight connector plug in the left picture caption, with angled connector plug in the left picture caption

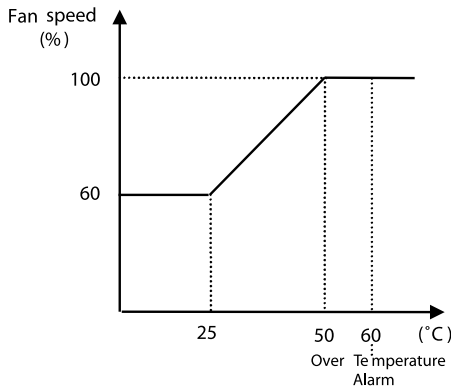
- Monitoring and temperature dependent control of fan speed (controlled by μ Controller)
- Up to 4 fans and 4 temperature sensors (NTC) can be connected
- Warning in the case of a malfunction (fan, sensor, μ C, over temperature), increase of fan speed to maximum rpm
- Optional display of DC voltages, "Fan Fail" and "Over Temp" via LED
- Remote monitoring if connected to Schroff chassis monitoring module (CMM)

Delivery comprises

Item	Qty	Description
1	1	Fan control module (FCM), width 38 mm, depth 160 mm, height 28 mm
2	1	Temperature sensor
3	1	Mating connector kit

Order Information

Fan Control Modules (FCM)	Height mm	Width mm	Depth mm	Part no.
Connector plug, straight	28	38	160	23207-021
Connector plug, angled (90°), for mounting on pull-out Schroff fan unit	28	38	160	23207-028



Speed characteristics inputs and outputs

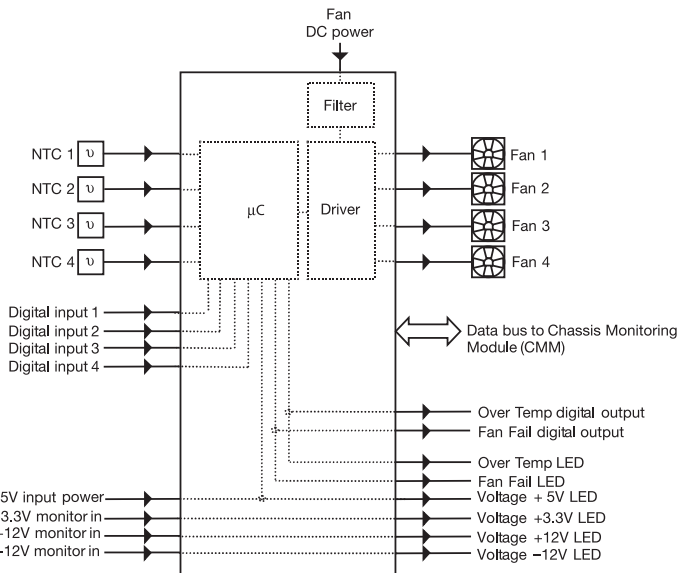
09802053

Note

- User manual: Please enter part number under www.schroff.biz/oneclick/



For further information www.schroff.biz/oneclick
oneClick search code = Part no.



Block diagram inputs and outputs

09802052

Systems - Accessories

Chassis monitoring module (CMM)



12303001

- Monitoring of voltages, temperatures and digital inputs
- Communication and remote control via RS 232 or Ethernet interface (10BaseT)
- Inputs and outputs for VME specific and CPCI specific signals, further digital and LED outputs
- Data bus for communication with the Schroff Fan Control Module (FCM)
- Pluggable in 3 U euroboard format

Delivery comprises

Item	Qty	Description
1	1	Chassis monitoring module (CMM), height 3 U, depth 160 mm, width 4 HP, front panel fitted

Order Information

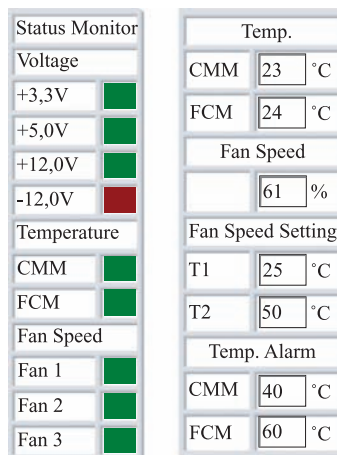
Description	Height U	Depth mm	Part no.
Chassis monitoring module (CMM)	3	160	23207-022

Note

- User manual: Please enter part number under www.schroff.biz/oneclick/

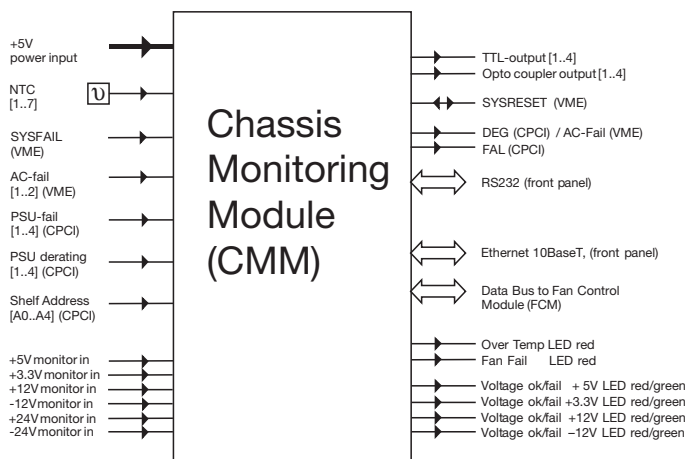


For further information www.schroff.biz/oneclick/
oneClick search code = Part no.



09802051

Status display via web browser

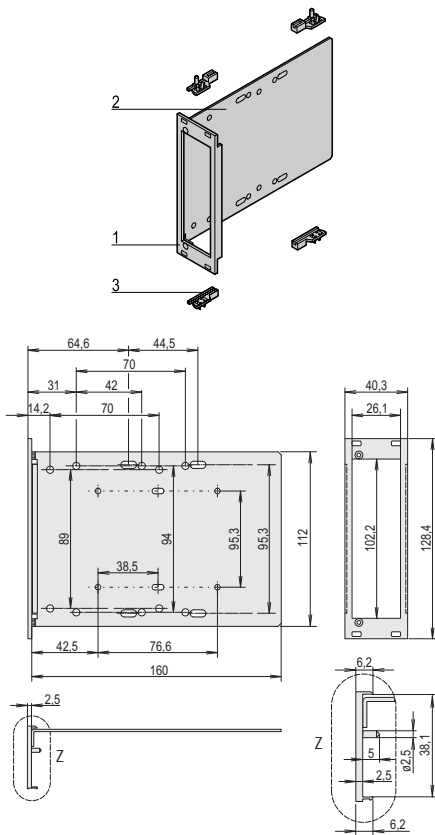


09802050

Block diagram inputs and outputs

Systems - Accessories

Module to mount drive unit, with front panel, U profile, shielded 1 × 3 1/2", 3 U vertical



04902051

Delivery comprises (kit)

Item	Qty	Description
1	1	U profile front panel with drive unit cut-out, Al, 2.5 mm, front anodised, rear colourless chromated, 2 alignment pins, stainless steel, pressed-in
2	1	Side panel, plug-in version, Al, 1.5 mm, chromated
3	4	Guide rail, PBT UL 94 V-0, red
4	1	Assembly kit

Order Information

Front panel dimensions		Part no.
Height	Width	
U	HP	
3	8	24579-042

Note

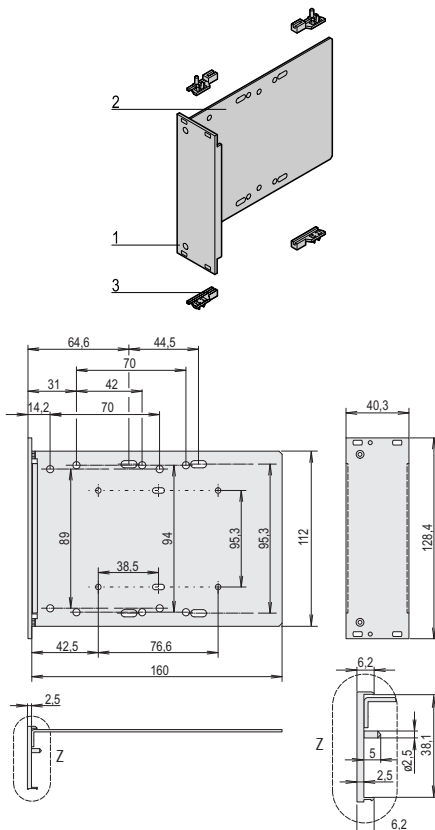
- Suitable for europacPRO, ratiopacPRO, CompactPCI, VMEbus and VME64xbus only
- Covers for drive unit cut-outs see page 8.110



For further information www.schroff.biz/oneclick
oneClick search code = Part no.

KAA44883

Module to mount drive unit, with front panel, U profile, shielded HD 1 × 3 1/2", 3 U vertical



04902052

Delivery comprises (kit)

Item	Qty	Description
1	1	U profile front panel, Al, 2.5 mm, front anodised, rear iridescent green chromated; 2 alignment pins, stainless steel, pressed-in
2	1	Side panel, plug-in version, Al, 1.5 mm, chromated
3	4	Guide rail, PBT UL 94 V-0, red
4	1	Assembly kit

Order Information

Front panel dimensions		Part no.
Height H	Width B	
U	HP	
3	8	24579-043

Note

- Suitable for europacPRO, ratiopacPRO, CompactPCI, VMEbus and VME64xbus only
- Covers for drive unit cut-outs see page 8.110

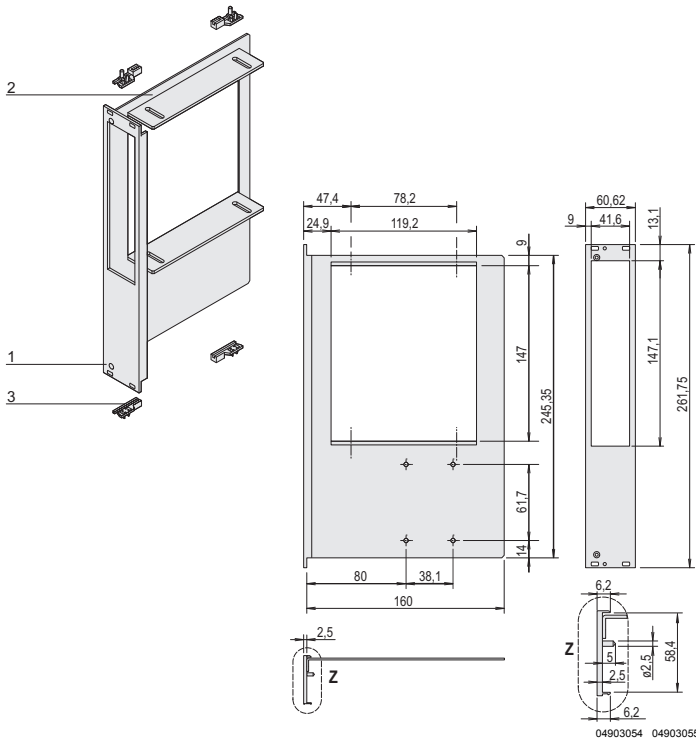


For further information www.schroff.biz/oneclick
oneClick search code = Part no.

KAA44897

Systems – Accessories

Module to mount drive unit, with front panel, U profile, shielded, 1 x 5 1/4", HD 1 x 2.5", 6 U vertical



Delivery comprises (kit)

Item	Qty	Description
1	1	U profile front panel with drive unit cut-out, Al, 2.5 mm, front anodised, rear iridescent green chromated
2	1	Side panel, plug-in version, Al, 1.5 mm, passivated
3	4	Guide rail, PBT, UL 94 V-0, red
4	1	Assembly kit

Order Information

Front panel dimensions		Part no.
Height	Width	
U	HP	
6	12	24579-074

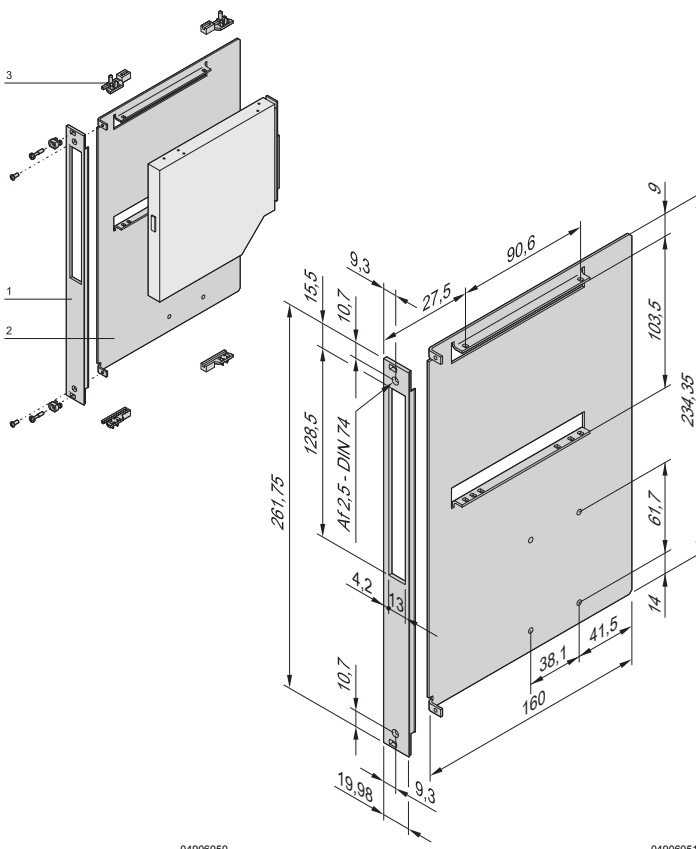
Note

- Suitable for europacPRO, ratiopacPRO, CompactPCI, VMEbus and VME64xbus only
- Covers for drive unit cut-outs see page 8.110



For further information www.schroff.biz/oneclick
oneClick search code = Part no.

Module to mount drive unit, with front panel, U profile, shielded, for Slim Line CD/DVD, HD 1 x 2.5", 6 U vertical



Delivery comprises

Item	Qty	Description
1	1	U profile front panel, 6 U, 4 HP, with drive unit cut-out, Al, 2.5 mm, front anodised, rear iridescent green chromated
2	1	Side panel, plug-in version, Al, 1.5 mm, passivated
3	4	Guide rail, PBT, UL 94 V-0, red
4	1	Assembly kit

Order Information

Front panel dimensions		Part no.
Height	Width	
U	HP	
6	4	24579-230

Note

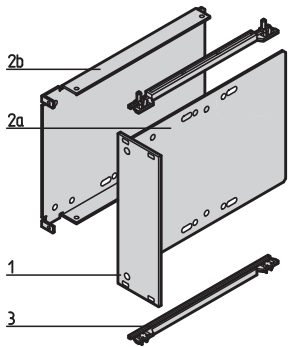
- Suitable for europacPRO, ratiopacPRO, CompactPCI, VMEbus and VME64xbus only
- Covers for drive unit cut-outs see page 8.110



For further information www.schroff.biz/oneclick
oneClick search code = Part no.

Systems - Accessories

Module to mount drive unit HD 1 x 3 1/2",
3 U vertical



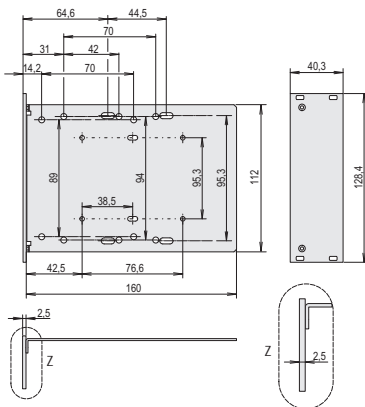
Delivery comprises (kit)

Item	Qty	Description
1	1	Front panel, Al, 2.5 mm, front anodised, rear iridescent green chromated
2a	2	Side panel, plug-in version, Al, 1.5 mm, passivated
2b	2	Side panel, screw-fixed version, Al, 2.0 mm, passivated
3	2	Guide rail, PPE, UL 94 V-0, black; only for plug-in version
4	1	Assembly kit

Order Information

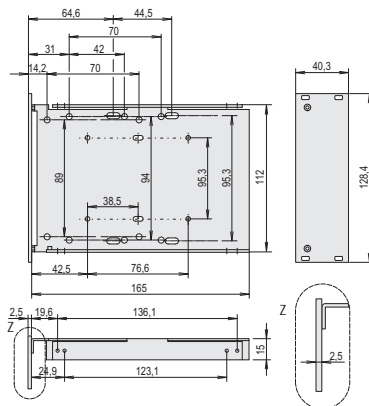
Front panel dimensions		Plug-in version	Screw-fixed version
Height	Width		
U	HP	Part no.	Part no.
3	8	20810-611	20810-605

KAA44896



04909050

Plug-in version



04909051

Screw-fixed version

Covers for drive unit cut-outs

- Front panel is clipped into drive unit cut-out with clamping device

Delivery comprises (assembled)

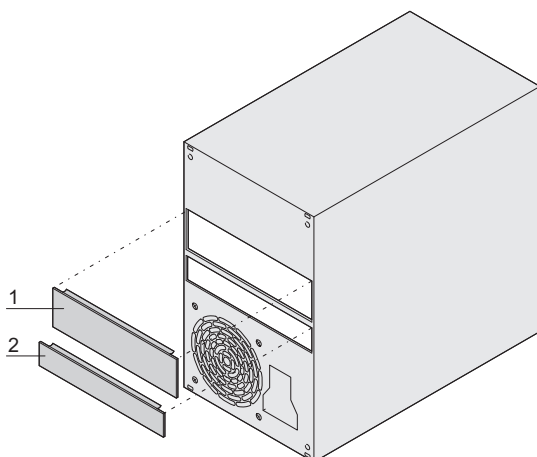
Item	Qty	Description
1	1	Front panel, Al, 2 mm, anodised
2	1	Clamping device to clip-on, stainless steel

Order Information

Item	Description	Part no.
1	Cover for 5.25" (CD/DVD)	24496-120
2	Cover for Slim Line drive (CD/DVD)	24496-122

Note

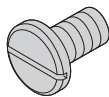
- Covers for 3.5" drive units available on request



12106050

Systems - Accessories

Screws for drive units

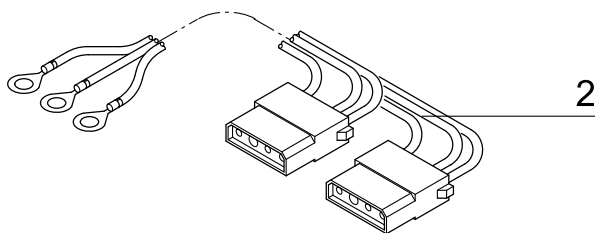


06706053

Order Information

Description	Qty/PU	Part no.
Slotted flathead screws, M 3 x 6	100	21100-711
Pozidrive flathead screws, M 4 x 6	100	21100-574
Slotted flathead screw, 6-32 UNC x 6	100	21100-712

Cable for drive unit



2

- The cable connects commercially available drive units with the power supply

Order Information

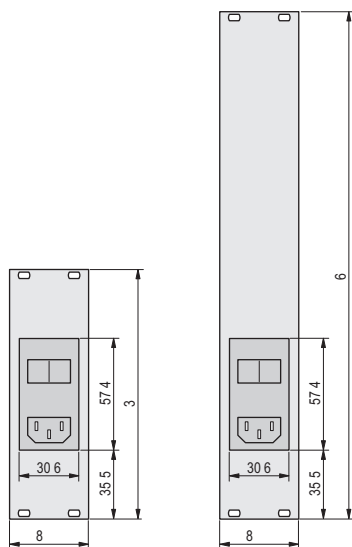
Item	Description	Qty/PU	Part no.
2	Drive unit cable for 2 x 5 1/4", ring tag Ø M4, length 560 mm, connector AMP/Tyco 1-171822-4	1	20835-188



For further information www.schroff.biz/oneclick
oneClick search code = Part no.

09802054

AC input module with filter



- Front panel (U front panel) for shielding with EMC textile gasket
- Voltage 110 V_{AC} ... 250 V_{AC}, 50 Hz ... 60 Hz
- Max. current 10 A at 40°C

Delivery comprises

Item	Qty	Description
1	1	U front panel, 2.5 mm, front anodised, rear colourless chromated

Order Information

Height H	Width B	Part no.
U	HP	
3	8	24579-058
6	8	24579-059
Textile EMC seals 3 U, PU 10 pieces		21101-853
Textile EMC seals 3 U, PU 100 pieces		21101-854
Textile EMC seals 6 U, PU 10 pieces		21101-855
Textile EMC seals 6 U, PU 100 pieces		21101-856

Note

- EMC profile seals are required to shield the front panels



For further information www.schroff.biz/oneclick
oneClick search code = Part no.

12303050

Systems - ServicePLUS



configuration

Simple. Fast. To the ideal product.

Components can be varied and combined freely

- Our configurators help you select what you need
- Online configuration: www.schroff.co.uk/configuration



assembly

Assembled by professionals. Double benefit!

Fitting of all mechanical, electrical and electronic components by our specialists

- From a quantity of 1, completely assembled and tested
- Ready for despatch within 10 working days



modification

Small changes. Large impact.

Custom drillings, cut-outs and special colours for off-the-shelf products

- Mechanical modifications, modifications of backplanes and PSUs, cabling
- Ready for despatch within 15 working days



solution

Simple. Fast. Out of one source.

Integration and custom developments

- Air conditioning, complete assembly, function test
- Customised complete solutions



express

When fast has to be faster.

Delivery time to customer's request

- System Express
- Further information: www.schroff.co.uk/express



support

Support. Solution. Availability.

Assistance if required

- Telephone support



academy

Knowledge. Sharing. Partnerships.

Knowledge transfer and partnership

- Seminars, white papers, CAD drawings, test reports, user reports
- Further information: www.schroff.co.uk/academy



lifecycle

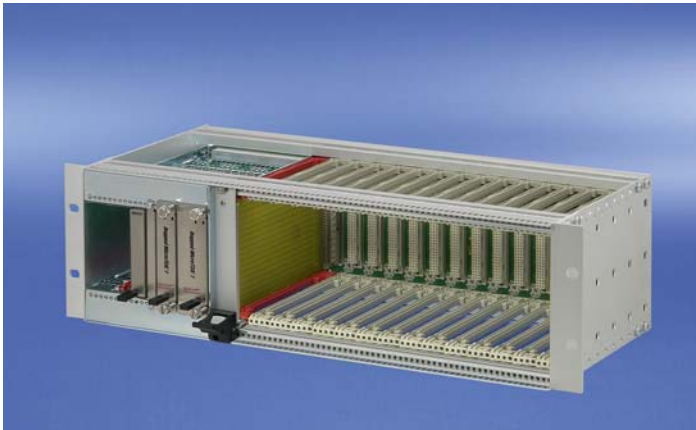
We are with you. For the entire product life.

Flexible support throughout the product lifecycle

- Exchange service, maintenance, repairs, replacement parts

Systems - ServicePLUS

Application examples



12908007

- Hybrid system, modification of a MicroTCA single-module board cage into a 3 U chassis to DIN EN 60297



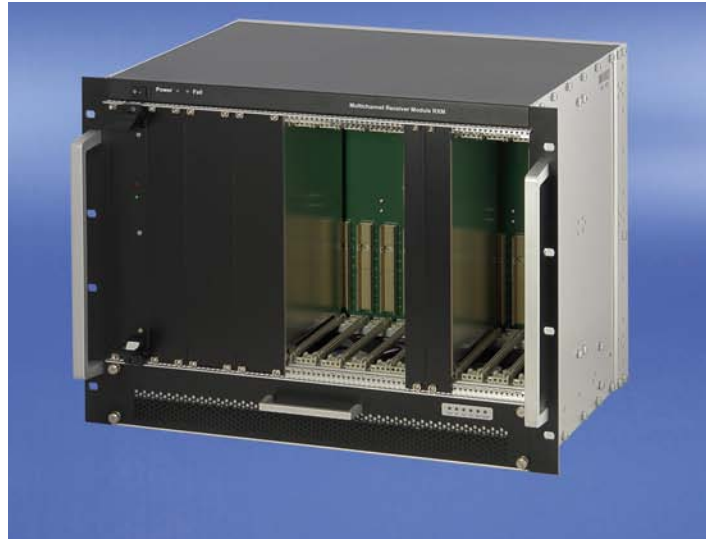
12908005

- MicroTCA system, 1 U for 6 single mid-size AMC modules; power supply, increased air inlet and exhaust area with inwardly curved side panels



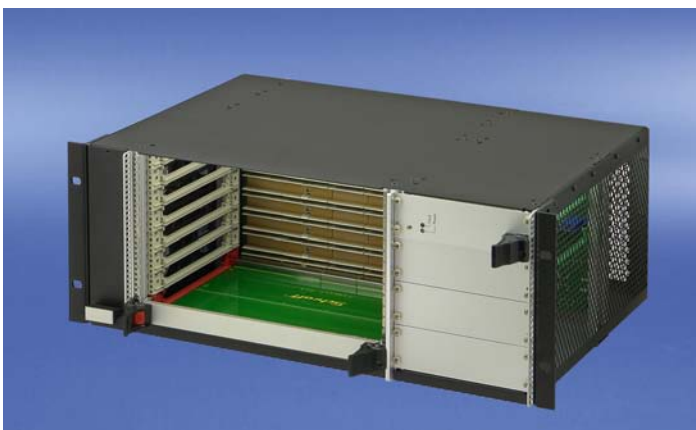
12909001

- MicroTCA chassis with hot-swap fan unit and power supply



12309002

- CompactPCI chassis with hot-swap fan unit and custom finishing



12309001

- CompactPCI chassis with 48 V_{DC} power supply



12709003

- 2 slot, 2 U AdvancedTCA chassis with custom colour

