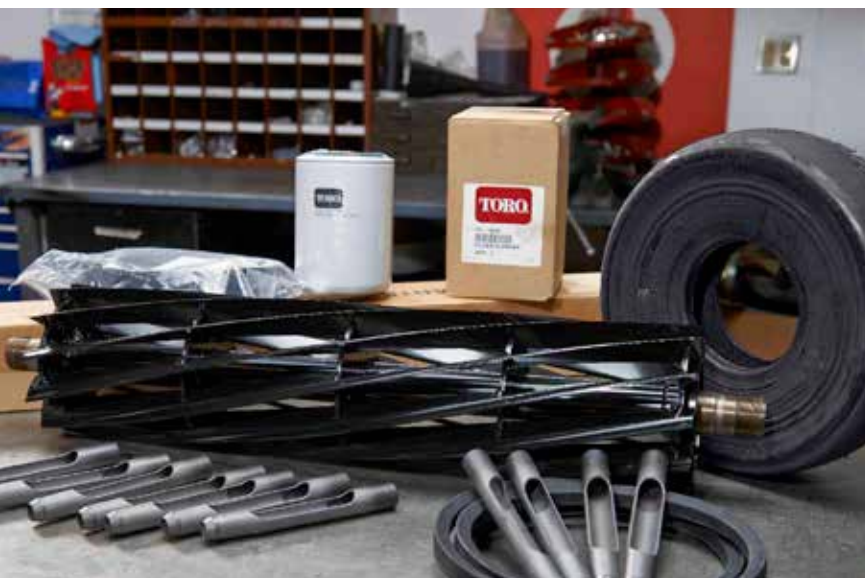










PERFORMANCE PARTS
CATALOG




alitec.at **ALITEC**
MOTORENHANDEL
UND -SERVICE GESELLSCHAFT M. B. H.
Tullner Strasse 190, 3040 Markersdorf
Tel.: +43 / 2772 / 54028; Fax: DW: -22
mail:alitec@alitec.at; web:www.alitec.at
Hotline: +43 / 650 / 2560 640

FEATURED ITEMS



Turf Accessories

	Equipment	Description	Part No.
	REELMASTER® GREENSMaster®	BRUSH AND HANDLE ASM	29-9100
	REELMASTER® GREENSMaster®	GAUGE BAR ASM	108-6715
	REELMASTER® GREENSMaster®	PAPER – TORO REEL	125-5610
	REELMASTER® GREENSMaster®	PAPER - TORO REEL BOOKLET	125-5623
	VARIOUS	SERVICE AND PARTS MANUAL (USB DRIVE)	137-5215
	BEDKNIFE AND REEL	GRIND ANGLE INDICATOR	131-6828
	BEDKNIFE AND REEL	GRIND ANGLE INDICATOR MOUNT	131-6829
	REELMASTER® GREENSMaster® GROUNDMASTER® MULTI PRO (2005 & EARLIER)	MESH SEAT COVER – LARGE	137-1312
	WORKMAN® MULTI PRO® (2006 & UP)	MESH SEAT COVER – SMALL	137-1311

Rollers

	Equipment	Description	Part No.
	GM 3500/4300/4500/4700	ROLLER ASM - UHMW	131-7800
		BALLAST KIT – UHMW ROLLER, 27" CU	136-2881
		BALLAST KIT – UHMW ROLLER, 22" CU	136-2915

NEW**Tires**

	Equipment	Description	Part No.
	RM 5010 SERIES	TIRE (20 X 12 - 10) 4-PLY SMOOTH REAR	127-2796*
	RM 5010 SERIES	TIRE (26.5 X 14 - 12) 4-PLY SMOOTH FRONT	133-2940*
	GM 4000 SERIES	TIRE (26 X 12 - 12) 6-PLY HIGH TRACTION FRONT	136-4442
	GM 4000 SERIES	TIRE (20 X 10 - 10) 6-PLY HIGH TRACTION REAR	136-4440

*Recommended for flat turf conditions

Lubricants**NEW!** Toro PX Extended Life Hydraulic Fluid. See page 12.**Batteries**

Equipment	Description	Part No.
Greensmaster 3250D/TriFlex 3400 Reelmaster 5200D/5400D/5500D Groundsmaster 225/228/3320/3280D/7200/ 7210/360 Workman MDX-D/3100/HD/HDX/HDX-D/HDX-Auto Multi-Pro 1250/1200 ProForce Debris Blower	DRY BATTERY	106-5187
Reelmaster 6500D/6700D/7000D Groundsmaster 328D/3000D/5900/5910/4500D/4700D Workman 3100/3200/3300D/4300D/ Multi-Pro 5600D/5700D/5800D/5800G 66" Rake-O-Vac	DRY BATTERY	106-5190
ProCore Processor HydroJect 3010 Pro Force Debris Blower	DRY BATTERY	108-1260
Pro Force Debris Blower	BATTERY - DOOR	121-2756
Greensmaster TriFlex 3400/3420 Groundsmaster 3500D/3505D/4300D Reelmaster 2000D/3100D/3550/5010-H/5210/5410 (G/D)/5510 (G/D)/5610D	WET BATTERY	104-9979 (Order 132-8621)

TABLE OF CONTENTS



INTRODUCTION 1-3

QUICK REFERENCE GUIDE

Application Guide

Service Reel Reference Chart 8-9

Bedknife Reference Chart 10-11

Lubricants 12-13

MVP Kits 14-15

Cutting Unit Overhaul Kits 16-17

Rear Roller Brush Kits for Universal Groomer 17

Seal Kits 17

Bearings Kits 18

Cutting Unit Hydraulic Hose Kits 18-19

Roller Rebuild Kits 19-20

Groundsmaster® Deck Kits 20-21

Groundsmaster Blade & Belt Kits 22

Groundsmaster Caster Wheel Kits 22-23

Groundsmaster Blade Packs 23

Filter Kits - Greensmaster® 24

Filter Kits - Reelmaster® 24-25

Filter Kits - Groundsmaster 25-27

Filter Kits - HydroJect® & Workman® 27

Touch-Up Paint 28

Bearings 30-38

Belts 39-42

Blades Reference Chart 44-45

Blades 46-47

Filters 48-59

Nozzle Application Guide 60-62

Tires 64-67

Rollers 68-70

GREENSMASTER®

Greensmaster — Walkers

Greensmaster Roller Parts

1000/1600/2000/2600 74-81

Greensmaster Flex

1800/2100 (18/21) and eFlex 1800/2100 82-85

Greensmaster 3100 88

Greensmaster 3150/3120 Series

Traction Unit Parts 90-91

GREENSMASTER® (cont.)

Greensmaster 3250 Series

Traction Unit Parts 92-93

3150/3120/3250 Style DPA (Dual Point Adjust)

Cutting Units 94-97

Vertical Cutter Assembly 98-99

Dethatcher/Tri-Roller/Spiker 100-101

Carrier Frame & Lift Pivot Parts 102-105

Hydraulic Hoses 106

TriFlex® And TriFlex Hybrid

Traction Unit 107

Cutting Unit 108-109

REELMASTER®

Reelmaster® 216/2000D/2300D/2600D/3100D

Traction Unit Parts 112-114

Cutting Unit Parts 116-119

DPA (Dual Point Adjust)

Cutting Unit Parts 120-123

Reelmaster 335D/3500D/450D/4000D/4500D

Traction Unit Parts 124-125

Cutting Unit Parts 126-131

Reelmaster 223D/5100D/5200D/5300D/5500D

Traction Unit Parts 132-133

Cutting Unit Parts 134-137

Dethatching Reel Parts 138-139

Reelmaster 5010-H/5210/5410/5510/5610

Traction Unit Parts 140-141

Cutting Unit Parts 142-147

Reelmaster 5500D/6500D/6700D

Traction Unit Parts 148-149

5500D/6500D/6700D SPA (Single Point Adjust)

Cutting Unit Parts 150-153

6500D/6700D DPA (Dual Point Adjust)

Cutting Unit Parts 154-157

Reelmaster 7000D

Traction Unit Parts 158

Cutting Unit Parts 160-163

Reelmaster 3550D/3555/3575

Traction Unit Parts 164-165

Cutting Unit Parts 166-169



GANGMOWERS

Transport Frame	172-173
Reelmaster Reel & Bedbar Parts	174-175
Reelmaster Gear Case Parts	176-177
Gangmower Roller Parts	178
Gangmower Wheel Parts	179

GROUNDMASTER®

Groundmaster 580D	
Traction Unit Parts	182-185
Cutting Unit Parts	182-185
Groundmaster 3000/3000D	
Traction Unit Parts	186
Cutting Unit Parts	190-193
Groundmaster 3280D/3320	
Traction Unit Parts	187-188
Cutting Unit Parts	190-193
Groundmaster 3500D/3505D	
Traction Unit Parts	194-197
27" Cutting Unit Parts	202-203
Groundmaster Tier 4 Models	
Traction Unit Parts	198-200
Groundmaster 4000D/4100D	
Traction Unit Parts	194-197
Cutting Unit Parts	204-207
Groundmaster 4500D/4700D	
Traction Unit Parts	194-197
27" Cutting Unit Parts	202-203
Groundmaster 4300D	208-209
Groundmaster 5900D/5910	
Traction Unit Parts	210
Cutting Unit Parts	211
Groundmaster 7200/7210	
Traction Unit Parts	212
Cutting Unit Parts	214-215
Groundmaster 360 Series	
Traction Unit Parts	216-217
Cutting Unit Parts	218-219

AERATORS

Hydroject® 3000/4000 Series	222
ProCore® 440/660/880	223
Tines – 3/8" Mount	224
Tines – 3/4" Mount	225-226
Tines – 7/8" And Needle Mount	226-227
Turf Aerator 686/687 Tines	227
ProCore® 648/864/1298	228-229
Tines – 3/8" Mount	230
Tines – 3/4" Mount	231-232
Tines – 7/8" And Needle Mount	233
Tines For Competitive Models -	
1/2" & 5/8" Mount	234
ProCore SR Series	235-237

UTILITY VEHICLES/SPRAYERS

Workman® Series	240-245
Multi-Pro®	246-251
Trailer Sprayers	251

SPECIALTY EQUIPMENT

Sand Pro®/Infield Pro®	254-259
ProCore® Core Processor	260
Line Painter	262
Rake-O-Vac	262
Rake-O-Vac Sweeper	262
Turf Sweeper 4800	262
Top Dressers	263

PARTS LIST



QUICK REFERENCE GUIDE

8	Service Reel Reference Chart	30	Bearings	48	Filters
10	Bedknife Reference Chart	39	Belts	60	Nozzle Application Guide
12	Lubricants	44	Blades Reference Chart	64	Tires
14	MVP Kits	46	Blades	68	Rollers

REELS+™ EDGESERIES REELS+™

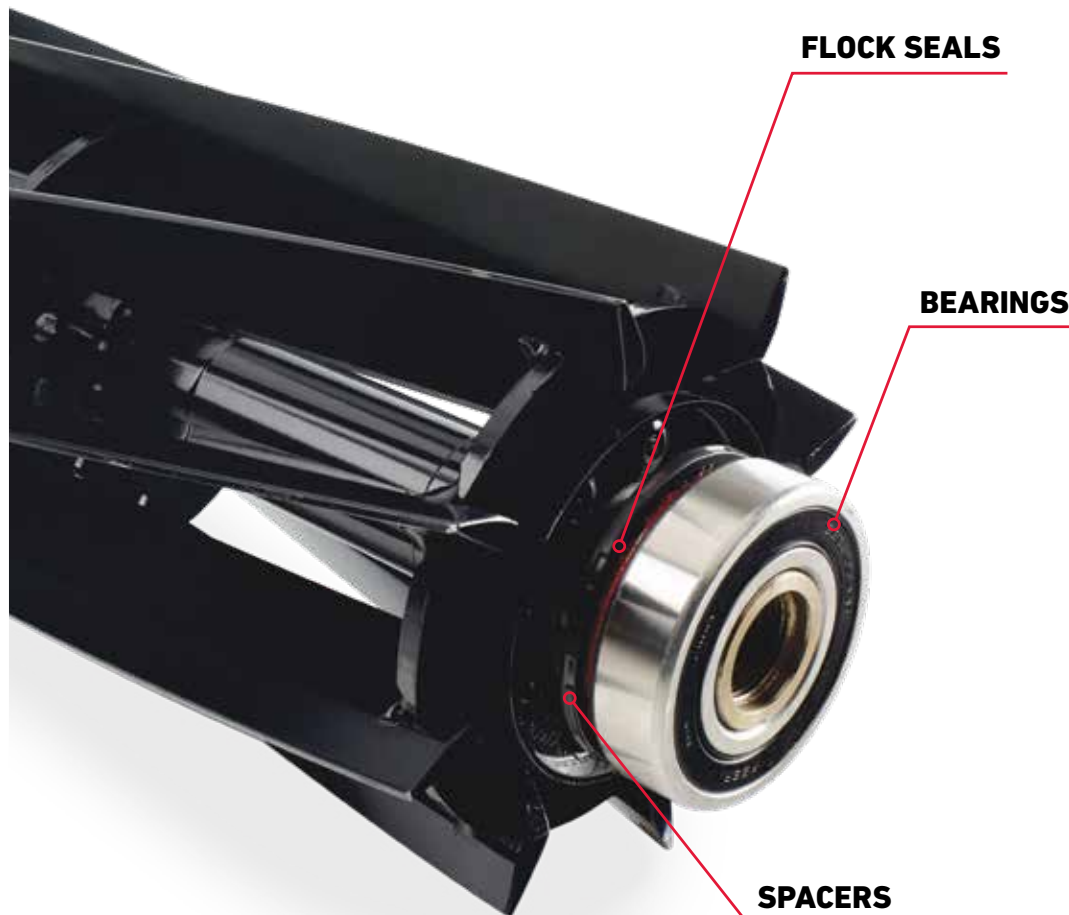
Save Time, Save Money

PLUS Everything you need for replacing your reels is included and pre-assembled

PLUS Parts professionally assembled at the factory

PLUS Uses all genuine Toro parts

PLUS Less time and labor for you, saving you money and resources



**CONTACT YOUR TORO
DISTRIBUTOR FOR DETAILS.**



QUICK REFERENCE GUIDE
REELS+™ / EDGESERIES REELS+™

Service Reel Reference Chart - Fairway

Reelmaster Unit	Reel Length	Reel Diameter	Service Limit/Life	Cutting Unit Model	Reels+™				EdgeSeries (ES) Reels+™		
					5-Blade	7-Blade	8-Blade	11-Blade	5-Blade	8-Blade	11-Blade
3550	18" (457 mm)	5" (127 mm)	4.5" (114 mm)	03911** 03480**			131-3201* RR			133-0109* RR	
				03485ES				137-8406 RR			
				03912** 03481**			131-3202* RR			137-8407 FSR	
				03486ES					137-8407 FSR		
3550 - Rear Only 3555 5010-H 5410 Low-drag DPA Cutting Units (Aluminum Side Plates)	22" (559 mm)	5" (127 mm)	4.5" (114 mm)	03913** 03482**			131-3203* RR			137-8426 RR	
				03634 03487ES 03621ES					137-8426 RR		
	22" (559 mm)	5" (127 mm)	4.5" (114 mm)	03483**			131-3204* RR			137-8413 RR	
				03635 03488ES 03623ES						137-8427 FSR	
3575 5010-H 5510 / 5610 Low-drag DPA Cutting Units (Aluminum Side Plates)	22" (559 mm)	7" (178 mm)	6.6" (165 mm)	03638 ES					133-8205* RR Service Only	131-6805* RR	
				03639 ES					137-8446 FSR		
				03641 ES					137-8447 FSR		
5210 5410 DPA Cutting Units (Painted Red Side Plates)	22" (559 mm)	5" (127 mm)	4.5" (114 mm)	03661 03694			137-8416 RR		137-8421 Service Only	137-8422 RR	
				03695	127-2070*			137-8417 RR		137-8423 FSR	
5510 5610 6500 6700 DPA Cutting Units (Painted Red Side Plates)	22" (559 mm)	7" (178 mm)	6.6" (168 mm)	03681 03863 03696 03698			137-8432 RR		133-8209* RR Service Only	137-8438 RR	
				03864 03682 03697 03699				137-8433 RR		137-8439 FSR	
				03693 ES							
3100 7000 Low-drag DPA Cutting Units (Aluminum Side Plates)	27" (686 mm)	7" (178 mm)	6.6" (168 mm)	03188 ES					133-0182* RR		
				03189 ES 03721 ES					137-8470 RR		
	32" (813 mm)	7" (178 mm)	6.6" (168 mm)	03190 ES 03722 ES							133-8278* RR
				03191 ES 03727 ES				137-8482 RR Service Only	133-0195* RR		
3100 7000 DPA Cutting Units (Painted Red Side Plates)	27" (686 mm)	7" (178 mm)	6.6" (168 mm)	03180	127-2093* RR						
				03710 03181			127-2094* RR			133-8269* RR	
	32" (813 mm)	7" (178 mm)	6.6" (168 mm)	03183 03711				127-2095* RR			133-8271* RR
				03182 03712	127-2104* Service Only		137-8477 RR			133-8273* RR	
5 7 11 TDM (Turf Driven Mower) SPA Cutting Units	30" (762 mm)	8" (203 mm)	7.6" (193 mm)	01005	130-0075* RR						
				01007			130-0071* RR				
				01011					130-0081* RR		
5200 5300 5400 4 Bolt Cutting Units	21" (533 mm)	5" (127 mm)	4.5" (114 mm)	03527	130-0088* RR						
				03506 03509 03528				130-0093* RR			
6500 6700 SPA Cutting Units	22" (559 mm)	7" (178 mm)	6.6" (168 mm)	03860	137-8451 RR						
				03861			137-8452 RR				
				03862				137-8453 RR			

*Reels+ / EdgeSeries Reels+ not available
 1.) Reel blade relief grind angle for all reels: 30 ° +/- 5 °
 2.) Fairway relief grinding required when land width is greater than 0.125" (3.2 mm)
 3.) Maximum allowed taper on all reels is 0.010" (.2 mm)

RR: Radial Reel FSR: Forward Swept Reel ES: EdgeSeries™ Cutting Unit

Service Reel Reference Chart - Greens													
Greensmaster Unit	Reel Length	Reel Diameter	Service Limit/Life	Cutting Unit Model	Reels+				EdgeSeries (ES) Reels+™				
					5-Blade HD	8-Blade	11-Blade	14-Blade	8-Blade	11-Blade	14-Blade		
Flex & eFlex 1800 / 1820 (2012 & newer)	18" (457 mm)	5" (127 mm)	4.5" (114 mm)	04253			127-2164*	127-2165*					
				04254						132-7357*	137-8523		
				04289 ES									
				04291 ES									
Flex 18 (2011 & older)	18" (457 mm)	5" (127 mm)	4.5" (114 mm)	04206			127-2156*	127-2157*					
				04207									
800 Integral Cutting Unit	18" (457 mm)	5" (127 mm)	4.5" (114 mm)	04054 ES			127-2160*	127-2161*		132-7353*	132-7354*		
Flex & eFlex 2100 / 2120 (2012 & newer)	21" (533 mm)	5" (127 mm)	4.5" (114 mm)	04251									
				04252						137-8511	137-8512	137-8513	
				04290 ES									
				04292 ES									
Flex 21 (2011 & older)	21" (533 mm)	5" (127 mm)	4.5" (114 mm)	04200									
				04202		127-2174*	127-2176*	127-2177*					
				04208									
1000 / 1010 / 2000 Integral Cutting Unit	21" (533 mm)	5" (127 mm)	4.5" (114 mm)	04036									
				04052									
				04034						132-7312*	132-7313*	132-7314*	
				04038 ES									
				04055 ES									
1600 / 1610 / 2600 Integral Cutting Unit	26" (660 mm)	5" (127 mm)	4.5" (114 mm)	04037									
				04060		127-2206*	127-2207*						
				04035						132-7361*	132-7362*		
				04039 ES									
				04056 ES									
3000 / 3100 / 3200 / 3300 / 3400 Low Drag DPA Seal Cutting Unit (2012 & newer)	21" (533 mm)	5" (127 mm)	4.5" (114 mm)	04613									
				04614									
				04615									
				04618									
				04619									
				04624		HD: 130-0120*					137-8511	137-8512	137-8513
				04651 ES									
				04652 ES									
				04653 ES									
				04654 ES									
04655 ES													
04656 ES													
3000 / 3100 / 3200 DPA Cutting Units (2011 & older)	21" (533 mm)	5" (127 mm)	4.5" (114 mm)	04610									
				04611	131-2013*	127-2193* 8-Blade HD: 131-2014*	127-2194*	127-2195*					
				04616									

*Reels+ / EdgeSeries Reels+ not available
 1.) Reel blade relief grind angle for all reels: 30° +/- 10°
 2.) Relief grinding required when land width is greater than 0.100" (2.5 mm)
 3.) Maximum allowed taper on all reels is 0.010" (.2 mm)
 4.) EdgeSeries Reels standard on 2016 models and newer

HD: Heavy Duty **ES:** EdgeSeries™ Cutting Unit

8/1/2018

QUICK REFERENCE GUIDE
BEDKNIVES

Bedknives Reference Chart - Fairway								
Reelmaster Unit	Description	HOC Range	Bedknife Holes	Lip Height**	Standard	EdgeMax™	Top Angle	Front Angle
3550 EdgeSeries™ Cutting Units DPA Cutting Units	18" (457 mm) Low Cut	1/4" - 1/2" (6.4 mm - 12.7 mm)	6	.220" (5.59 mm)	121-3167	137-0830 Insert	10°	5°
	18" (457 mm) Fairway Cut	3/8" and up (9.5 mm and up)	6	.270" (6.90 mm)	121-3166	137-0831 Insert	10°	5°
	22" (559 mm) Low Cut	1/4" - 1/2" (6.4 mm - 12.7 mm)	8	.220" (5.59 mm)	110-4084	137-0832 Insert	10°	5°
	22" (559 mm) Fairway Cut	3/8" and up (9.5 mm and up)	8	.270" (6.90 mm)	108-9096	137-0833 Insert	10°	5°
3555 / 3575 5010-H 5210 5410 5510 5610 6500 6700 EdgeSeries Cutting Units DPA Cutting Units	22" (559 mm) Low Cut	1/4" - 1/2" (6.4 mm - 12.7 mm)	8	.220" (5.59 mm)	110-4084	137-0832 Insert	10°	5°
	22" (559 mm) Low Cut Extended	1/4" - 1/2" (6.4 mm - 12.7 mm)	8	.220" (5.59 mm)	120-1640	119-4280 Solid	10°	10°
	22" (559 mm) Fairway Cut	3/8" and up (9.5 mm and up)	8	.270" (6.90 mm)	108-9096	137-0833 Insert	10°	5°
	22" (559 mm) Fairway Cut - Heavy Duty	1/2" and up (12.7 mm and up)	8	.370" (9.4 mm)	110-4074		10°	5°
3100 7000 EdgeSeries Cutting Units DPA Cutting Units	27" (686 mm) Fairway Cut	3/8" and up (9.5 mm and up)	10	.270" (6.90 mm)	114-9388	112-8910 Insert	10°	5°
	27" (686 mm) Low Cut Extended	1/4" - 1/2" (6.4 mm - 12.7 mm)	10	.220" (5.59 mm)	120-1641		10°	10°
	27" (686 mm) Fairway Cut - Heavy Duty	1/2" and up (12.7 mm and up)	10	.370" (9.4 mm)	114-9390		10°	5°
	32" (813 mm) Fairway Cut	3/8" and up (9.5 mm and up)	12	.270" (6.90 mm)	114-9389		10°	5°
	32" (813 mm) Low Cut Extended	1/4" - 1/2" (6.4 mm - 12.7 mm)	12	.220" (5.59 mm)	120-1642		10°	10°
	32" (813 mm) Fairway Cut - Heavy Duty	1/2" and up (12.7 mm and up)	12	.370" (9.4 mm)	114-9391		10°	5°
5 7 11 TDM (Turf Driven Mower) SPA Cutting Units	31" (787 mm) 11 Blade Reel	3/8" and up (9.5 mm and up)	11	.280" (7.11 mm)	47-6680		10	30
	31" (787 mm) 5 & 7 Blade Reel	1/2" and up (12.7 mm and up)	11	.380" (9.65 mm)	49-7660		10	30
5200 5300 5400 4-Bolt Cutting Units	21" (533 mm) Fairway Cut	3/8" and up (9.5 mm and up)	7	.270" (6.90 mm)	63-8610	137-0879 Insert	10°	10° & 5°
	21" (533 mm) Fairway Cut - Heavy Duty	1/2" and up (12.7 mm and up)	7	.345" (8.76 mm)	100-3350		10°	10°

** Service limit (worn out condition) for all Fairway Bedknives is when the bedknife lip height is 0.190" (4.8 mm)

8/1/2018

Bedknives Reference Chart - Greens

Greensmaster Unit	Description	HOC Range	Bedknife Holes	Standard	EdgeMax™	Minimum Top Angle	Front Angle
800 Integral Cutting Unit Flex 18 Flex & eFlex 1800 / 1820	18" (457 mm) Low Cut	3/16" - 1" (4.8 mm - 25.4 mm)	11	110-2301		3°	13° + 4° - 0°
	18" (457 mm) Micro Cut	1/16" - 3/16" (1.6 mm - 4.8 mm)	11	98-7261	117-1530 Solid	3°	13° + 4° - 0°
	18" (457 mm) Micro Cut Extended*	1/16" - 3/16" (1.6 mm - 4.8 mm)	11	110-2300		7°	13° + 4° - 0°
	18" (457 mm) Tournament Cut	1/8" - 1/2" (3.2 mm - 12.7 mm)	11	98-7260	117-1532 Solid	3°	13° + 4° - 0°
1000 / 1010 / 2000 Integral Cutting Unit Flex 21 Flex 21 & eFlex 2100 / 2120 3000 / 3100 / 3200 / 3300 / 3400	21" (533 mm) Low Cut	3/16" - 1" (4.8 mm - 25.4 mm)	13	93-4264		3°	13° + 4° - 0°
	21" (533 mm) Micro Cut	1/16" - 3/16" (1.6 mm - 4.8 mm)	13	93-4262	115-1880 Solid	3°	13° + 4° - 0°
	21" (533 mm) Micro Cut Extended*	1/16" - 3/16" (1.6 mm - 4.8 mm)	13	108-4303		7°	13° + 4° - 0°
	21" (533 mm) Tournament Cut	1/8" - 1/2" (3.2 mm - 12.7 mm)	13	93-4263	115-1881 Solid	3°	13° + 4° - 0°
	21" (533 mm) Tournament Cut Extended*	1/8" - 1/2" (3.2 mm - 12.7 mm)	13	108-4302		7°	13° + 4° - 0°
	21" (533 mm) High Cut	5/16" - 1" (7.9 mm - 25.4 mm)	13	94-6392		3°	13° + 4° - 0°
	21" (533 mm) Fairway Cut	3/8" - 1" (9.5 mm - 25.4 mm)	7	63-8610	137-0879 Insert	10°	13° + 4° - 0°
1600 / 1610 / 2600 Integral Cutting Unit	26" (660 mm) Low Cut	3/16" - 1" (4.8 mm - 25.4 mm)	16	93-9015		3°	13° + 4° - 0°
	26" (660 mm) Micro Cut	1/16" - 3/16" (1.6 mm - 4.8 mm)	16	112-9275		3°	13° + 4° - 0°
	26" (660 mm) Tournament Cut	1/8" - 1/2" (3.2 mm - 12.7 mm)	16	94-5885	117-1548 Solid	3°	13° + 4° - 0°
	26" (660 mm) High Cut	5/16" - 1" (7.9 mm - 25.4 mm)	16	104-2646		3°	13° + 4° - 0°
	26" (660 mm) Fairway Cut	3/8" - 1" (9.5 mm - 25.4 mm)	16	107-8181		3°	13° + 4° - 0°

* If you experience scalping with the aggressive bedbar, switch to the extended bedknives.

8/1/2018

QUICK REFERENCE GUIDE

LUBRICANTS

NEW



Toro PX Extended Life Hydraulic Fluid 133-8086 (5 Gal. Pail)

- EXTENDED LIFE HYDRAULIC FLUID FOR SOME 2019 AND NEWER TORO COMMERCIAL EQUIPMENT
- SEE YOUR EQUIPMENT OPERATORS GUIDE FOR INDIVIDUAL MACHINE MAINTENANCE INTERVALS



Toro Premium All-Season Hydraulic Fluid 108-1178 (5 Gal. Pail)

- DESIGNED TO MEET THE NEEDS OF TORO HYDRAULIC SYSTEMS
- SUSTAINED COMPONENT PROTECTION OVER WIDE TEMPERATURES AND ADDITIONAL ANTIWEAR PROTECTION
- EXTENDS FLUID LIFE UNDER HARSH OPERATING CONDITIONS



Toro Premium Synthetic Biodegradable Hydraulic Fluid 119-2157 (5 Gal. Pail)

- PROVIDES LONGER EQUIPMENT LIFE; WILL NOT REACT WITH STEEL OR COPPER ALLOYS
- WORKS WELL WITH SAME ELASTOMERS USED WITH CONVENTIONAL MINERAL OILS
- REDUCED DEPOSIT AND SLUDGE FORMATION



Toro Premium Transmission / Hydraulic Fluid 108-1184 (5 Gal. Pail)

- STRONG ANTIWEAR AND EXTREME PRESSURE PROPERTIES
- MULTIPURPOSE CAPABILITY FOR HYDRAULICS, GEARS & CLUTCHES
- PROTECTS EQUIPMENT IN WET OR HUMID ENVIRONMENTS AND PREVENTS PREMATURE WEAR



Toro All-Purpose Grease 108-1190 (14 oz.)

- REDUCES POTENTIAL FOR ENVIRONMENTAL DAMAGE
- EXCELLENT ANTIWEAR/EP PROPERTIES
- HIGH VISCOSITY INDEX AND LOW POUR POINT



Toro Synthetic Grease ISO 220 125-3511 (3 oz.)

- OUTSTANDING HIGH TEMPERATURE AND LOW TEMPERATURE PERFORMANCE
- EXCELLENT PROTECTION AGAINST WEAR, RUST AND CORROSION
- EXTENDED SERVICE LIFE WITH LONGER INTERVALS BETWEEN RELUBRICATION



Toro Fuel Treatment 131-6572 (12 oz.)

- KEEPS FUEL FRESH FOR UP TO 12+ MONTHS, PERFECT FOR SEASONAL EQUIPMENT
- KEEPS FUEL SYSTEMS CLEAN; CLEANS ENGINES FROM THE INSIDE
- PREVENTS CORROSION; COMPATIBLE WITH E10 FUEL



Toro Premium Engine Oil SAE 30
108-1197 (5 Gal. Pail)

- APPROVED BY TORO ENGINEERING FOR USE IN TORO EQUIPMENT
- MONOGRADE FLUID DESIGNED TO ENDURE HIGH TEMPERATURES IN AIR COOLED ENGINES
- FORMULATED WITH UNIQUE ADDITIVES DESIGNED TO KEEP ENGINES CLEAN



Toro Premium Engine Oil 10W-30
121-6393 (5 Gal. Pail)

- FORMULATED FOR GASOLINE AND DIESEL ENGINES
- MEETS OEM ENGINE MANUFACTURERS REQUIREMENTS FOR MODERATE CLIMATES
- BUILT-IN CORROSION PROTECTION



Toro Premium Engine Oil 15W-40
121-6395 (5 Gal. Pail)

- FORMULATED FOR GASOLINE AND DIESEL ENGINES
- GREATER ENGINE EFFICIENCY, LONG ENGINE LIFE AND LONG OIL LIFE
- MAINTAINS VISCOSITY IN SEVERE, HIGH TEMPERATURE SERVICE FOR GREATER WEAR PROTECTION



Toro Premium All-Season Gear Lube 80W-90
108-1590 (Quart)
108-1187 (5 Gal. Pail)

- WIDE MULTIPURPOSE CAPABILITY
- REDUCED WEAR AND EASE OF START-UP AND COMPONENT LIFE
- EXCELLENT THERMAL STABILITY AND RESISTANCE TO HIGH TEMPERATURE OXIDATION



Toro Premium All-Season Gear Lube 85W-140
108-1591 (Quart)

- PROTECTION AGAINST LOW SPEED/HIGH TORQUE WEAR
- EFFECTIVE LOW TEMPERATURE LUBRICATION
- EXTENDED GEAR AND BEARING LIFE DUE TO MINIMAL DEPOSIT



Toro Premium Full Synthetic Gear & Bearing Oil
104-8772 (Quart)

- EXTENDS EQUIPMENT HIGH TEMPERATURE OPERATING CAPABILITY TO REDUCE MAINTENANCE COSTS
- REDUCES FRICTION AND INCREASES WEAR EFFICIENCY
- APPROVED BY TORO ENGINEERING FOR TORO EQUIPMENT

Toro Hydraulic Oil Dye
44-2500 (20 ml)

Toro Aerosol Terminal Protection
107-0392

Toro Dry Lube Graphite
120-4817

QUICK REFERENCE GUIDE

MVP KITS

Cutting Unit Overhaul Kits

Part No.	Description	Qty.
130-0105	GR Flex 18/21 (2004-2011) Reel Overhaul Kit	
20-9500	WASHER	1
107-3233	SEAL - OIL	4
108-3162	SPACER	1
107-3238	V-RING	2
13-3659	GR 300/3000 Style (1985-01) Cutting Unit Overhaul Kit	
237-77	O-RING	2
253-61	SEAL-OIL	1
253-96	SEAL-OIL	2
254-72	BEARING-CUP	2
254-94	BEARING-CONE	2
52-2890	BUSHING-NYLON	4
52-2900	WASHER-PLASTIC	2
119-4151	SCREW-SPECIAL	13
57-5280	BEARING - CUP & CONE	2
62-5510	BUSHING-RUBBER	2
63-9510	BUSHING	2
107-1590	GR 300/3000 Style (1985-01) Reel Overhaul Kit	
253-61	SEAL-OIL	1
253-96	SEAL-OIL	2
254-72	BEARING-CUP	2
254-94	BEARING-CONE	2
3296-60	NUT-LOCK	1
107-1598	GR 300/3000 Style (2002 & Up) Reel Overhaul Kit	
104-3388	SEAL-GREASE	2
253-61	SEAL-OIL	1
254-72	BEARING-CUP	2
254-94	BEARING-CONE	2
3296-60	NUT-LOCK	1
121-2637	DPA Adjusters MVP Kit GR Flex/eFlex 1800 & 2100/3000/3300/3400	
106-5363	SHAFT-ADJUSTER	2
106-5344	BUSHING-FLANGED, KEYED	4
119-4164	WASHER-WAVE	2
32120-93	RING-RETAINING	2
115-7039	SCREW-ADJUSTER, BEDBAR	2
119-4155	WASHER-HARDENED	2
119-4156	SPRING-COMPRESSION	2
119-4039	NUT-HEX, NI	2
99-2097	DETENT	2
119-4067	SCREW-HH	2
106-6392	Greensmaster Dethatching Reel Blade Pack	
106-6355	BLADE-11 TOOTH (CARBIDE)	108
13-3649	RM 216 & Grounds Pro 2000 Cutting Unit Overhaul Kit	
253-84	SEAL-OIL	1
257-6	BEARING-THRUST	2
52-2890	BUSHING-NYLON	2
56-9510	BUSHING ASM	2
56-9520	BUSHING-FLANGED	2
119-4151	SCREW-SPECIAL	10
62-5510	BUSHING-RUBBER	2
94-3405	BEARING-BALL	2

Cutting Unit Overhaul Kits - continued

Part No.	Description	Qty.
107-1590	RM 5100D/5200D/5300D/5400D (1990-01) Reel Overhaul Kit	
253-61	SEAL-OIL	1
253-96	SEAL-OIL	2
254-72	BEARING-CUP	2
254-94	BEARING-CONE	2
3296-60	NUT-LOCK	1
106-9605	RM 5500D/6500D/6700D SPA Bedbar Overhaul Kit	
106-7536	BEDBAR ADJUSTER ASSEMBLY	1
107-7409	PIN-PIVOT, BEDBAR	1
29-8910	WASHER	2
302-18	FITTING-GREASE	1
3230-2	BOLT-CARRIAGE	4
3256-74	WASHER-FLAT	4
3296-29	NUT-LOCK	4
3296-62	NUT-LOCK	1
52-2890	BUSHING-NYLINER	2
62-5510	BUSHING-RUBBER	2
93-2959	SPACER-ADJUSTER	1
93-7501	BUSHING ASSEMBLY	2
93-7502	BUSHING-FLANGED	2
95-0772	SPRING-COMPRESSION	1
95-8752	ARM-SPRING	1
13-3679	RM 335D/450D Cutting Unit Overhaul Kit	
256-113	BUSHING-FLANGE	2
256-252	BEARING-FLANGE	2
256-292	BUSHING-NYLINER	4
32151-71	RING-RETAINING	1
3257-3	KEY-WOODRUFF	1
48-8880	PIN-DOWEL	2
119-4151	SCREW-SPECIAL	10
59-6140	BEARING	2
62-6110	BUSHING ASM	4
76-3580	SPACER-BEDBAR	2
93-1414	SEAL-GREASE	3
95-4389	RM 4000-D Cutting Unit Overhaul Kit	
256-252	BEARING-FLANGE	2
256-292	BUSHING-NYLINER	4
32151-71	RING-RETAINING	1
48-8880	PIN-DOWEL	2
119-4151	SCREW-SPECIAL	10
59-6140	BEARING	2
62-6110	BUSHING ASM	4
75-7570	KEY	1
76-3580	SPACER-BEDBAR	2
92-9250	SEAL-GREASE	1
92-9251	SLEEVE-WEAR	1
92-9252	BUSHING-FLANGE	2
93-1414	SEAL-GREASE	2

Cutting Unit Overhaul Kits - continued

Part No.	Description	Qty.
13-3629	RM Gangmower Cutting Unit Overhaul Kit	
105-0150	SEAL-GREASE	2
106-5408	GASKET-COVER	2
106-5409	GASKET-GEAR CASE	2
237-21	O-RING	2
237-38	O-RING	2
253-117	SEAL-OIL	2
253-122	SEAL-OIL	2
253-84	SEAL-OIL	2
254-72	BEARING-CUP	2
254-78	BEARING-CONE	4
254-79	BEARING-CUP	4
254-94	BEARING-CONE	2
257-5	WASHER-THRUST	4
257-6	BEARING-THRUST	2
47-5640	SPACER-RUBBER	2
119-4151	SCREW-SPECIAL	11
68-7530	BUSHING	2
68-9970	GUARD-SEAL	2
84-8200	SEAL-OIL	2
120-7230	HD DPA MVP Kit RM 3100D/3550/3555 5010-H/5210/5410/5510/5610/6000D7000D	
120-5118	BEARING-FLANGE	2
120-5116	BUSHING-NYLINER	2
106-5344	RING-RETAINING	4
108-0015	PIN-DOWEL	2
3296-33	SCREW-SPECIAL	2
115-7039	BEARING	2
119-4155	BUSHING ASM	2
120-5120	KEY	2
119-4039	SPACER-BEDBAR	2

Rear Roller Brush Kits for Universal Groomer

Part No.	Description	Qty.
133-0150	5" RM UNIVERSAL GROOMER KIT	
133-0151	7" RM UNIVERSAL GROOMER KIT	
133-0152	RM3550 RRB KIT (FOR UNIVERSAL GROOMER)	
133-0155	RM3550 RRB KIT ONLY	
133-0153	RM3555/5010H 5" RRB KIT (FOR UNIVERSAL GROOMER)	
133-0157	RM3555/5010H 5" RRB KIT ONLY	
133-0154	RM3575/5010H 7" RRB KIT (FOR UNIVERSAL GROOMER)	
133-0158	RM3575/5010H 7" RRB KIT ONLY	

Seal Kits

Part No.	Description	Qty.
117-2727	Hydraulic Connector O-Rings Seal Kit	
237-21	9/16" ORFS	10
237-22	11/16" ORFS	10
237-30	13/16" ORFS	10
237-65	1" ORFS	10
237-58	1-3/16" ORFS	10
340-65	1-7/16" ORFS	10
237-156	5/16" SAE	10
237-78	7/16" SAE	10
237-42	9/16" SAE	10
237-79	3/4" SAE	10
237-80	7/8" SAE	10
237-81	1-1/16" SAE	10
237-146	1-5/16" SAE	10
93-4132	1/2" (HYD TRANS END CAP)	10
237-54	3/4" (HYD RELIEF CARTRIDGE)	10
237-38	1-3/4" (GR 500 CLUTCH & RM GANGMOWER GEAR CASE)	10
93-9783	2-7/8" (HYD MOTOR MOUNTING)	10
237-161	3-1/4" (TRANSMISSION MOUNTING)	10
353-949	3-1/4" (HYD MOTOR MOUNTING)	10
237-95	3-3/4" (HYD TRANS CHARGE PUMP)	10
237-158	4" (HYD MOTOR MOUNTING)	10
108-3263	Multi Pro Open Boom Sprayer Seal Kit	
108-3266	SEAL KIT	1
108-3267	SEAL KIT	1
108-3268	SEAL KIT	1
106-6937	DPA Reel Seal Kit	
106-6927	SLEEVE	2
106-6926	SEAL	2
253-134	SEAL	2
106-6929	V-RING	2
104-0532	WASHER-PULLEY	1
136-1010	GM 3280 Seal Overhaul Rebuild Kit	
136-1021	LIP SEAL - SHAFT	1
136-1023	GASKET - END CAP	1
136-1031	O-RING	1
136-1032	O-RING	1
Not serviced separately	LIP SEAL- JOURNAL BEARING	1
Not serviced separately	O-RING, JOURNAL BEARING	2
Not serviced separately	O-RING, BYPASS VALVE	1
Not serviced separately	BACK UP RING	1
Not serviced separately	O-RING, BYPASS VALVE	1
Not serviced separately	O-RING, PLUG	2
Not serviced separately	O-RING, PLUG	1

QUICK REFERENCE GUIDE

MVP KITS

Bearing Kits

Part No.	Description	Qty.
121-9517	GR Flex 18/21 (2012 & Up) GR 3300/3400 (2011 & Up) Groomer Rebuild Kit	
107-8105	BEARING-BALL, EXTENDED RACE	3
106-8530	SEAL-GREASE	3
120-3237	O-RING	1
360-0398	O-RING	1
251-259	BEARING-BALL	2
104-4727	RING-RETAINING	1
104-4705	BELT-GROOMER	1
110-4086	RM 5210/5410/5510/5610 RM 6500D/6700D DPA Groomer & Rear Roller Brush Bearing Kit	
95-0707	BEARING-SELF ALIGNING	1
106-8530	SEAL-GREASE	3
108-4172	SEAL-EXCLUDER	1
108-2132	ProCore 648 Coring Head Bearing Kit (2004-2007)	
106-8871	BEARING-BALL	6
105-0965	BEARING-BALL	6
251-311	BEARING-BALL	24
106-8872	RING-RETAINING	6
131-4876	ProCore 648 Coring Head Bearing Kit (2008 & after)	
110-4556	BEARING - BALL	12
105-0965	BEARING - BALL	6
251-311	BEARING - BALL	24
32151-76	RING - RETAINING	6
110-4557	SPACER - BEARING	6

Cutting Unit Hydraulic Hose Kits

Part No.	Description	Qty.
117-0289	GM 4300-D Hydraulic Hose Kit	
117-0213	HYDRAULIC HOSE ASSEMBLY	1
117-0211	HYDRAULIC HOSE ASSEMBLY	1
117-0212	HYDRAULIC HOSE ASSEMBLY	1
117-0299	HYDRAULIC HOSE ASSEMBLY	4
104-9323	HOSE - HYDRAULIC	1
92-7638	HOSE ASSEMBLY	1
105-1215	HOSE - HYDRAULIC	4
108-6507	HOSE - HYDRAULIC	2
3334-945	TIE - CABLE	15
237-21	O-RING	10
237-65	O-RING	28
106-3662	HOSE - HYDRAULIC	4
98-0642	GR 3000/3050/3100 Cutting Unit Hydraulic Hose Kit	
95-5984	HYDRAULIC HOSE ASSEMBLY	1
95-5985	HYDRAULIC HOSE ASSEMBLY	1
95-5986	HYDRAULIC HOSE ASSEMBLY	1
95-5987	HYDRAULIC HOSE ASSEMBLY	1
95-5988	HYDRAULIC HOSE ASSEMBLY	1
95-5989	HYDRAULIC HOSE ASSEMBLY	1

Cutting Unit Hydraulic Hose Kits - continued

Part No.	Description	Qty.
117-2725	GR 3150 Cutting Unit Hydraulic Hose Kit (2006 & UP)	
105-5400	HYDRAULIC HOSE ASSEMBLY	1
105-5401	HYDRAULIC HOSE ASSEMBLY	1
105-5402	HYDRAULIC HOSE ASSEMBLY	1
95-2908	HYDRAULIC HOSE ASSEMBLY	2
105-5404	HYDRAULIC HOSE ASSEMBLY	1
106-9674	HYDRAULIC HOSE ASSEMBLY	1
105-5405	HYDRAULIC HOSE ASSEMBLY	1
95-2909	HYDRAULIC HOSE ASSEMBLY	1
237-30	O-RING	6
237-65	O-RING	6
117-2721	GR 3250D Cutting Unit Hydraulic Hose Kit (2006 & UP)	
106-9674	HYDRAULIC HOSE ASSEMBLY	2
95-2908	HYDRAULIC HOSE ASSEMBLY	2
95-2909	HYDRAULIC HOSE ASSEMBLY	2
95-2907	HYDRAULIC HOSE ASSEMBLY	2
105-5405	HYDRAULIC HOSE ASSEMBLY	1
237-30	O-RING	12
237-21	O-RING	6
136-8519	GR TriFlex 3300/3400 Cutting Unit Hydraulic Hose Kit	
119-8145	HYDRAULIC HOSE ASSEMBLY	1
119-8146	HYDRAULIC HOSE ASSEMBLY	1
119-8147	HYDRAULIC HOSE ASSEMBLY	1
119-8158	HYDRAULIC HOSE ASSEMBLY	1
136-8452	HYDRAULIC HOSE ASSEMBLY	1
119-8160	HYDRAULIC HOSE ASSEMBLY	1
119-8161	HYDRAULIC HOSE ASSEMBLY	1
119-8162	HYDRAULIC HOSE ASSEMBLY	1
117-2724	RM 3100D SPA Cutting Unit 1999-2009 Hydraulic Hose Kit	
95-8836	HYDRAULIC HOSE ASSEMBLY	2
95-8835	HYDRAULIC HOSE ASSEMBLY	2
95-8837	HYDRAULIC HOSE ASSEMBLY	2
95-8826	HYDRAULIC HOSE ASSEMBLY	1
95-8827	HYDRAULIC HOSE ASSEMBLY	1
95-8828	HYDRAULIC HOSE ASSEMBLY	1
237-30	O-RING	8
237-65	O-RING	4
237-42	O-RING	2
237-21	O-RING	2
237-22	O-RING	2
117-2723	RM 4000D Cutting Unit Hydraulic Hose Kit	
98-7401	HYDRAULIC HOSE ASSEMBLY	1
60-3340	HYDRAULIC HOSE ASSEMBLY	1
98-7400	HYDRAULIC HOSE ASSEMBLY	1
98-7403	HYDRAULIC HOSE ASSEMBLY	4
58-5730	HYDRAULIC HOSE ASSEMBLY	1
98-7404	HYDRAULIC HOSE ASSEMBLY	2
237-22	O-RING	10
237-65	O-RING	18

Cutting Unit Hydraulic Hose Kits - continued

Part No.	Description	Qty.
104-9317	RM 5200D/5400D Cutting Unit Hydraulic Hose Kit	
100-3876	HYDRAULIC HOSE ASSEMBLY	1
100-3877	HYDRAULIC HOSE ASSEMBLY	1
100-3878	HYDRAULIC HOSE ASSEMBLY	1
100-3879	HYDRAULIC HOSE ASSEMBLY	1
104-0057	HYDRAULIC HOSE ASSEMBLY	1
104-0069	HYDRAULIC HOSE ASSEMBLY	1
104-9321	HYDRAULIC HOSE ASSEMBLY	1
104-9322	HYDRAULIC HOSE ASSEMBLY	1
104-9323	HYDRAULIC HOSE ASSEMBLY	1
98-4583	HYDRAULIC HOSE ASSEMBLY	2
98-4584	HYDRAULIC HOSE ASSEMBLY	1
98-4587	HYDRAULIC HOSE ASSEMBLY	1
3290-379	TIE-CABLE	10
99-5617	SLEEVE-PROTECTIVE	1
99-5648	SLEEVE-PROTECTIVE	4
237-30	SEAL - O-RING	20
237-21	SEAL - O-RING	10
117-2720	RM 5210/5410/5510/5610 Cutting Unit Hydraulic Hose Kit (2008-2009)	
106-3672	HYDRAULIC HOSE ASSEMBLY	4
98-4590	HYDRAULIC HOSE ASSEMBLY	2
114-8868	HYDRAULIC HOSE ASSEMBLY	4
106-3680	HYDRAULIC HOSE ASSEMBLY	2
104-3669	HYDRAULIC HOSE ASSEMBLY	1
106-3670	HYDRAULIC HOSE ASSEMBLY	1
106-3671	HYDRAULIC HOSE ASSEMBLY	1
3334-945	TIE-CABLE	15
237-30	O-RING (ORFS - 8)	20
237-21	O-RING (ORFS - 4)	10
119-6955	RM 5210/5410/5510/5610 (2010+) Cutting Unit Hydraulic Hose Kit	
114-0633	HYDRAULIC HOSE ASSEMBLY	5
98-4590	HYDRAULIC HOSE ASSEMBLY	2
117-5188	HYDRAULIC HOSE ASSEMBLY	4
106-3680	HYDRAULIC HOSE ASSEMBLY	2
117-5190	HYDRAULIC HOSE ASSEMBLY	1
106-3670	HYDRAULIC HOSE ASSEMBLY	1
3334-945	TIE-CABLE	15
237-30	O-RING (ORFS - 8)	10
237-21	O-RING (ORFS - 4)	10
237-65	O-RING (ORFS - 10)	10
104-9314	RM 5500D Reel Drive Hose Kit	
104-0069	HYDRAULIC HOSE ASSEMBLY	4
104-0057	HYDRAULIC HOSE ASSEMBLY	4
104-0068	HYDRAULIC HOSE ASSEMBLY	1
104-0067	HYDRAULIC HOSE ASSEMBLY	1
104-0064	HYDRAULIC HOSE ASSEMBLY	1
104-0058	HYDRAULIC HOSE ASSEMBLY	2
104-0063	HYDRAULIC HOSE ASSEMBLY	2
3290-379	TIE-CABLE	10
237-30	O-RING (ORFS - 8)	20
237-21	O-RING (ORFS - 4)	5
237-22	O-RING (ORFS - 6)	2

Cutting Unit Hydraulic Hose Kits - continued

Part No.	Description	Qty.
105-0139	RM 6500D/6700D (5 Units) Cutting Unit Hydraulic Hose Kit	
105-7901	HYDRAULIC HOSE ASSEMBLY	4
105-7902	HYDRAULIC HOSE ASSEMBLY	2
105-7903	HYDRAULIC HOSE ASSEMBLY	4
92-7559	HYDRAULIC HOSE ASSEMBLY	2
92-7560	HYDRAULIC HOSE ASSEMBLY	1
99-5614	HYDRAULIC HOSE ASSEMBLY	2
237-21	O-RING	10
237-30	O-RING	20
3253-4	WASHER-LOCK	6
3290-379	TIE-CABLE	10
33114-020	SCREW-HH	6
99-5617	SLEEVE-PROTECTIVE	5
99-5621	GUIDE-HOSE	3
105-0140	RM 6700D (2 Wing Units) Cutting Unit Hydraulic Hose Kit	
105-7900	HYDRAULIC HOSE ASSEMBLY	4
94-1433	HYDRAULIC HOSE ASSEMBLY	2
237-21	O-RING	4
237-30	O-RING	8
3253-4	WASHER-LOCK	4
3290-378	TIE-CABLE	4
33114-020	SCREW-HH	4
3334-945	TIE-CABLE	2
100-3814	SLEEVE-PROTECTIVE	2
99-5621	GUIDE-HOSE	2

Roller Rebuild Kits

Part No.	Description	Qty.
107-1588	GR 800/1000/1600 Roller Rebuild Kit	
302-5	FITTING-GREASE	2
52-3180	BEARING-ROLLER	2
107-1589	GR 3/300/ Style Wiehle Roller Rebuild Kit	
302-57	FITTING-GREASE	2
52-3180	BEARING-ROLLER	2
107-1588	GR 3/300/3000 Style Roller Rebuild Kit	
302-5	FITTING-GREASE	2
52-3180	BEARING-ROLLER	2
107-1591	GR 3200 Style (1995-98) Roller Rebuild Kit	
302-5	FITTING-GREASE	2
93-2525	RING-RETAINING	2
93-2559	BEARING-BALL	2
107-1593	GR 3200 Style (1999-00) Roller Rebuild Kit	
302-5	FITTING-GREASE	2
32151-12	RING-RETAINING	2
85-7190	WASHER-SHIELD	2
85-9970	BEARING-BALL	2

QUICK REFERENCE GUIDE

MVP KITS

Roller Rebuild Kits - continued

Part No.	Description	Qty.
107-1594	GR DPA (2004 & Up) Roller Rebuild Kit	
106-6941	SEAL	2
106-6942	V-RING	2
251-347	BEARING-BALL	2
107-8133	WASHER-FLAT	2
107-3505	SPACER-TOOL, ROLLER	2
104-6126	WASHER-FLAT	2
106-9627	GR DPA Rear Roller Brush Rebuild Kit	
106-9626**	SHAFT	1
105-6792	BRUSH-ROLLER	1
104-1830	BOLT-J	2
3296-2	NUT-LOCK	2
106-9607	Grounds Pro 2000 RM 216/2000/2300/2600/3100 Roller Rebuild Kit	
105-0150	SEAL-GREASE	2
253-152	SEAL-OIL	2
254-78	BEARING-CONE	2
254-79	BEARING-CUP	2
107-1592	RM 223D/5100D/5200D/5300D/ 5400D (1990-2000) Front Roller Rebuild Kit	
302-57	FITTING-GREASE	2
75-1290	BEARING-ROLLER	2
107-1593	RM 5100D/5200D/5300D/5400D (1993-2000) Rear Roller Rebuild Kit	
302-5	FITTING-GREASE	2
32151-12	RING-RETAINING	2
85-7190	WASHER-SHIELD	2
85-9970	BEARING-BALL	2
107-1592	RM 223D/5100D/5200D/5300D/ 5400D Dethatching Reel Roller Rebuild Kit	
302-57	FITTING-GREASE	2
75-1290	BEARING-ROLLER	2
106-9606	RM 5200D/5400D (01 & Up) RM 5210/5410/5510/5610 (06-07) Roller Rebuild Kit	
109966	BEARING-BALL	2
253-70	SEAL-OIL	2
32120-62	RING-RETAINING	2
93-1251	SEAL-INNER	2
93-1252	SEAL-OUTER	2
93-2931	WASHER-ROLLER	2
93-3007	SEAL-OIL	2
114-5430	RM 5010-H/5210/5410/5510/5610/6500D67 00D (2008 & Up) Roller Rebuild Kit	
114-3717	SEAL-INNER	2
112-5290	BEARING-BALL	2
112-7494	SEAL-OUTER	4
114-5411	NUT - BEARING LOCK	2
106-9606	RM 5500D/6500D/6700D SPA RM 6500D/6700D DPA (2007) Roller Rebuild Kit	
109966	BEARING-BALL	2
253-70	SEAL-OIL	2
32120-62	RING-RETAINING	2
93-1251	SEAL-INNER	2
93-1252	SEAL-OUTER	2
93-2931	WASHER-ROLLER	2
93-3007	SEAL-OIL	2

Roller Rebuild Kits - continued

Part No.	Description	Qty.
106-9627	RM 5200D/5400D RM 5500D/6500D/6700D SPA Rear Roller Brush Rebuild Kit	
106-9626	SHAFT	1
105-6792	BRUSH-ROLLER	1
104-1830	BOLT-J	2
3296-2	NUT-LOCK	2
107-1595	GM 3500D/4500D/4700D (2000-03) Roller Rebuild Kit	
251-347	BEARING-BALL	2
32120-15	RING-SNAP	2
99-3842	SEAL-OIL	2
106-9606	GM 3500D/3505D/4500D/4700D (2003-07) Roller Rebuild Kit	
109966	BEARING-BALL	2
253-70	SEAL-OIL	2
32120-62	RING-RETAINING	2
93-1251	SEAL-INNER	2
93-1252	SEAL-OUTER	2
93-2931	WASHER-ROLLER	2
93-3007	SEAL-OIL	2
114-5430	GM 3500D/3505D/4500D/4700D (2007 & Up) Roller Rebuild Kit	
114-3717	SEAL-INNER	2
112-5290	BEARING-BALL	2
112-7494	SEAL-OUTER	4
112-5411	NUT - BEARING LOCK	2

Groundsmaster® Deck Kits

Part No.	Description	Qty.
95-3078	GM 200 Series 52"/132 cm RD/SD Spindle Kit	
27-0870	SPINDLE ASSEMBLY	1
32128-21	NUT-HEX FLANGE	6
3231-22	SCREW-CARRIAGE	6
3256-24	WASHER-FLAT	6
72-9361	CUP-ANTI SCALP	1
92-5816	BOLT-BLADE	1
95-3079	GM 200 Series 62"/158 cm SD Spindle Kit	
44-6370	SPINDLE ASSEMBLY	1
32128-21	NUT-HEX FLANGE	6
3231-22	SCREW-CARRIAGE	6
3256-24	WASHER-FLAT	6
72-9361	CUP-ANTI SCALP	1
92-5816	BOLT-BLADE	1
95-3081	GM 200 Series 62"/158 cm Guardian Spindle Kit	
253-139	SEAL-OIL	2
27-0960	BEARING SET	1
302-2	FITTING-GREASE	1
32128-21	NUT-HEX FLANGE	6
3231-27	SCREW-CARRIAGE	6
3256-24	WASHER-FLAT	6
32146-20	NUT-LOCK	1
61-4160	HOUSING-SPINDLE	1
27-5970	SPACER-SPINDLE SHAFT	1
72-9361	CUP-ANTI SCALP	1
92-5604	SHAFT-SPINDLE	1
92-5606	SPACER-SPINDLE SHAFT	1
92-5607	PULLEY & HUB ASSEMBLY	1
92-5816	BOLT-BLADE	1

Groundsmaster® Deck Kits - continued

Part No.	Description	Qty.
95-3089	GM 300 Series 72"/183 cm RD/SD Left Spindle Kit	
84-2030	SPINDLE ASSEMBLY	1
32128-21	NUT-HEX FLANGE	8
3234-1	SCREW-HEX FLANGE	6
3234-11	SCREW-HEX FLANGE	2
3256-24	WASHER-FLAT	8
95-3090	GM 300 Series 72"/183 cm RD/SD Center Spindle Kit	
84-2040	SPINDLE ASSEMBLY	1
32128-21	NUT-HEX FLANGE	8
3234-1	SCREW-HEX FLANGE	8
3256-24	WASHER-FLAT	8
95-3095	GM 300 Series 72"/183 cm RD/SD Right Spindle Kit	
84-2050	SPINDLE ASSEMBLY	1
32128-21	NUT-HEX FLANGE	8
3234-1	SCREW-HEX FLANGE	6
3234-11	SCREW-HEX FLANGE	2
3256-24	WASHER-FLAT	8
95-3091	GM 300 Series 72"/183 cm Guardian Spindle Kit	
17-5979**	SPINDLE ASSEMBLY	1
32128-21	NUT-HEX FLANGE	6
3231-27	SCREW-CARRIAGE	6
3256-24	WASHER-FLAT	6
72-9361	CUP-ANTI SCALP	1
119-4778	GM 3280D/3320 Side Discharge Spindle Kit	
104-3546	PULLEY-DRIVEN	1
108-1991	SPINDLE HOUSING ASSEMBLY	1
108-1956	SPINDLE SHAFT ASSEMBLY	1
104-3564	SEAL - V-RING	1
104-8322	WASHER-HARDENED	1
106-7159	O-RING	1
3296-60	NUT-LOCK	1
69-6950	SPACER-SPINDLE SHAFT	1
119-4776	GM 3280D/3320/4000D/4100D GM 360/3400/4010/7200/7210 RD/Guardian Spindle Kit	
104-3546	PULLEY-DRIVEN	1
119-4546	SPINDLE HOUSING ASSEMBLY	1
104-3554	SPINDLE SHAFT ASSEMBLY	1
104-3564	SEAL - V-RING	1
104-8322	WASHER-HARDENED	1
106-7159	O-RING	1
3296-60	NUT-LOCK	1
69-6950	SPACER-SPINDLE SHAFT	1
115-3435	GM3500D/3500G/3505D/4500D/4700D Spindle Kit	
100-5703	SPACER AND BEARING ASSEMBLY	1
100-5705	SPINDLE SHAFT ASSEMBLY	1
253-154	SEAL-OIL	2
69-6950	SPACER-SPINDLE SHAFT	1
100-5709	NUT-SPINDLE, SPECIAL	1
302-62	FITTING-GREASE	2
94-2703	PLUG	1
505-7	GREASE 2oz	

Groundsmaster Deck Kits - continued

Part No.	Description	Qty.
69-8400	GM 580D, All Decks (1989-2001), Wing Deck (2002 & UP) Spindle Kit	
69-8390-03	PULLEY ASSEMBLY	1
110-3285	SPINDLE SHAFT ASSEMBLY	1
253-154	SEAL-OIL	2
3296-49	NUT-LOCK	1
108-1483	WASHER-THRUST	1
6590003	O-RING	1
69-1530	HOUSING-SPINDLE	1
69-6950	SPACER-SPINDLE SHAFT	1
71-2530	BEARING & SPACER SET	1
302-2	FITTING-GREASE	1
106-0005	GM 580D Center Deck (02 & Up) Center Spindle Kit	
106-0023	PULLEY-CENTER	1
110-3285	SPINDLE SHAFT ASSEMBLY	1
253-154	SEAL-OIL	2
3296-49	NUT-LOCK	1
108-1483	WASHER-THRUST	1
6590003	O-RING	1
69-1530	HOUSING-SPINDLE	1
69-6950	SPACER-SPINDLE SHAFT	1
71-2530	BEARING & SPACER SET	1
302-2	FITTING-GREASE	1
106-0006	GM 580D Center Deck (02 & Up) Outer Spindle Kit	
106-0022	PULLEY-OUTBOARD	1
110-3285	SPINDLE SHAFT ASSEMBLY	1
253-154	SEAL-OIL	2
3296-49	NUT-LOCK	1
108-1483	WASHER-THRUST	1
6590003	O-RING	1
69-1530	HOUSING-SPINDLE	1
69-6950	SPACER-SPINDLE SHAFT	1
71-2530	BEARING & SPACER SET	1
302-2	FITTING-GREASE	1
105-7269	GM 7200/7210 62"/158 cm Guardian 72"/183 cm Guardian Tall Grass Kit	
112-1480-01	PLATE - RIGHT	1
112-1482-01	PLATE - LEFT	1
104-8300	NUT-FLANGE	4
3230-2	BOLT-CARRIAGE	4

*Not illustrated. **Not sold separately. See pages 20-33 for kit contents. Prices subject to change without notice. Please see your Parts Catalog or Master Parts Viewer to ensure the correct part is ordered, as the part you need may not be listed above. toro.com/parts

QUICK REFERENCE GUIDE

MVP KITS

Groundsmaster[®] Blade & Belt Kits

Part No.	Description	Qty.
95-3070	GM 200 Series 52"/132 cm RD/SD Deck Blade & Belt Kit	
27-0990-03	BLADE - STANDARD 18"	3
27-1160	V-BELT	1
95-3071	GM 200 Series 62"/158 cm SD Deck Blade & Belt Kit	
44-6250-03	BLADE - STANDARD 21.75"	3
44-6260	V-BELT	1
95-3072	GM 200 Series 72"/183 cm SD Deck Blade & Belt Kit	
94-1861-03	BLADE - STANDARD 24.75"	3
57-0240	V-BELT	1
95-3087	GM 300 Series 72"/183 cm RD/SD Deck Blade & Belt Kit	
29-5530-03	BLADE - STANDARD 25"	3
21-0890	V-BELT	3
95-3094	GM 300 Series 72"/183 cm RD/SD Deck Blade & Belt Kit	
23-2410-03	BLADE - HIGH SAIL 25"	3
21-0890	V-BELT	3
95-3088	GM 300 Series 72"/183 cm Guardian Blade & Belt Kit	
85-6040-03	BLADE - STANDARD 25"	3
93-8457	V BELT-HEX	1
110-4770	GM 3280D/3320 60"/152 cm SD Blade & Belt Kit	
110-4701	BLADE - MEDIUM SAIL 20.5"	3
108-4391	BELT - HEX	1
110-4768	GM 3280D/3320 62"/158 cm RD/Guardian Blade & Belt Kit	
92-5608-03	BLADE - STANDARD 25"	3
107-4788	BELT-HEX	1
110-4771	GM 3280D/3320 72"/18 cm SD Blade & Belt Kit	
110-0621	BLADE - MEDIUM SAIL 24.5"	3
108-4393	BELT - HEX	1
110-4769	GM 3280D/3320 72"/18 cm RD/Guardian Blade & Belt Kit	
108-1958-03	BLADE - STANDARD 25"	3
107-4738	BELT-HEX	1
132-1440	GM 5900/5910 Blade & Belt Kit	
112-7376	BELT-V	1
112-7377	BELT-V	6
130-9151-03	BLADE - 20"	11
115-8898	GM 5900/5910 Center & Wing Decks Blade & Belt Kit	
110-5946-03	BLADE - STANDARD 20"	11
112-7376	BELT-V	1
112-7377	BELT-V	6
105-7270	GM 7200/7210 62"/157.5 cm Guardian Blade & Belt Kit	
92-5608-03	BLADE - STANDARD 25"	3
110-9594	BELT-V	1
110-9595	BELT-V	1

Groundsmaster Blade & Belt Kits - continued

Part No.	Description	Qty.
105-7271	GM 7200/7210 72"/182.9 cm Guardian Blade & Belt Kit	
108-1958-03	BLADE - STANDARd 25"	3
110-9592	BELT - V	1
110-9593	BELT - V	1
105-7272	GM 7200/7210 72"/182.9 cm SD Deck Blade & Belt Kit	
110-0621-03	BLADE - MEDIUM SAIL 24.5"	3
110-9590	BELT-V	1
110-9591	BELT-V	1

Groundsmaster[®] Caster Wheel Kits

Part No.	Description	Qty.
95-3077	GM 200 Series 52"/132 cm RD/SD (1989 & Up) 62"/158 cm SD (1989-98) 72"/183 cm SD (1989-97) Caster Wheel Kit	
68-8970	TIRE & BEARING ASSEMBLY	2
68-8980	SPANNER-TIRE	2
32153-5	NUT-LOCK	2
325-19	SCREW-HH	2
3256-6	WASHER-FLAT	4
68-8970	GM 200 Series 52"/132 cm RD/SD (1989 & Up) 62"/158 cm SD (1989-98) 72"/183 cm SD (1989-97) Caster Wheel	
68-9840	WHEEL & HUB ASSEMBLY	1
62-5580	BEARING - OUTSIDE	2
62-5570	BEARING ROLLER CAGE	1
95-3076	GM 200 Series 62"/158 cm Guardian Recycler Caster Wheel Kit	
85-5760	8" CASTER WHEEL ASSEMBLY	4
62-4340	SPANNER	4
32128-23	NUT-HEX FLANGE	4
325-22	SCREW-HH	4
3256-6	WASHER-FLAT	8
85-5760	GM 200 Series 62"/158 cm Guardian Recycler Caster Wheel	
85-5760	WHEEL & HUB ASSEMBLY	1
83-4740	BEARING ROLLER CAGE	1
62-5580	BEARING - OUTSIDE	2
302-40	FITTING - GREASE	1
95-3086	GM 300 Series 72"/183 cm RD/SD (1988 & Up) Caster Wheel Kit	
92-1655	CASTER WHEEL ASSEMBLY - FRONT	2
63-8400	CASTER WHEEL ASSEMBLY - REAR	2
62-4340	SPANNER - FRONT	2
63-1770	SPANNER - REAR	2
32128-23	NUT-HEX FLANGE	4
325-18	SCREW-HH	2
325-22	SCREW-HH	2
3256-6	WASHER-FLAT	8

Groundsmaster® Caster Wheel Kits - continued

Part No.	Description	Qty.
95-3082	GM 300 Series 72"/183 cm RD/SD (1983 & Up) Front Caster Wheel	
92-1655	WHEEL ASSEMBLY - FRONT	1
62-4340	SPANNER - FRONT	1
32128-23	NUT-HEX FLANGE	1
325-22	SCREW-HH	1
3256-6	WASHER-FLAT	2
95-3084	GM 300 Series 72"/183 cm RD/SD (1988 & Up) Rear Caster Wheel	
63-8400	CASTER WHEEL ASSEMBLY - REAR	1
63-1770	SPANNER - REAR	1
32128-23	NUT-HEX FLANGE	1
325-18	SCREW-HH	1
3256-6	WASHER-FLAT	2
95-3085	GM 300 Series 72"/183 cm Guardian Recycler Caster Wheel Kit	
92-1655	CASTER WHEEL ASSEMBLY - FRONT	2
85-5760	CASTER WHEEL ASSEMBLY - REAR	2
32128-23	NUT-HEX FLANGE	4
325-22	SCREW-HH	4
3256-6	WASHER-FLAT	8
62-4340	SPANNER	4
95-3083	GM 300 Series 72"/183 cm Guardian Recycler Rear Caster Wheel	
85-5760	CASTER WHEEL ASSEMBLY - REAR	1
62-4340	SPANNER	1
32128-23	NUT-HEX FLANGE	1
325-22	SCREW-HH	1
3256-6	WASHER-FLAT	2
95-3077	GM 3280D/3320 52"/132 cm SD Caster Wheel Kit	
68-8970	TIRE & BEARING ASSEMBLY	2
68-8980	SPANNER-TIRE	2
32153-5	NUT-LOCK	2
325-19	SCREW-HH	2
3256-6	WASHER-FLAT	2
68-8970	GM 3280D/3320 52"/132 cm SD Caster Wheel	
68-8970	TIRE & BEARING ASSEMBLY	1
110-4767	GM 3280D/3320 60"/152 cm SD 62"/158 cm RD/Guardian 72"/183 cm RD/SD/Guardian Caster Wheel	
93-9938	8" WHEEL ASSEMBLY	1
327-24	SCREW-HH	1
3296-53	NUT-LOCK	1

Groundsmaster Blade Packs

Part No.	Description	Qty.
108-1477	GM 200 Series GM 3280D/3320 52"/132 cm RD/SD Atomic Blade Pack	
104-1301	BLADE - ATOMIC 18"	6
106-0631	GM 200 Series GM 3280D/3320 62"/158 cm RD/SD Atomic Blade Pack	
104-1303	BLADE - ATOMIC 21.75"	6
108-1478	GM 200 Series 72"/183 cm RD/SD Atomic Blade Pack	
104-1304	BLADE - ATOMIC 24.75"	6

Groundsmaster Blade Packs - continued

Part No.	Description	Qty.
108-1454	GM 300 Series GM 3280D/3320 72"/183 cm RD/SD Atomic Blade Pack	
106-4353-03	BLADE - ATOMIC 25"	6
108-1452	GM 455D 126"/320 cm Quadfloat Atomic Blade Pack	
107-0216-03	BLADE - ATOMIC 19"	7
108-1453	GM 580D Center & Wing Decks Atomic Blade Pack	
107-0217-03	BLADE - ATOMIC 20"	11
108-1462	GM 3500D/3505D 27"/69 cm RD Atomic Blade Pack	
107-0235-03	BLADE - ATOMIC 27"	6
117-2722	GM 4000D 132"/335 cm RD Standard Blade Pack	
92-5608-03	BLADE - STANDARD 21.75"	7
110-6130	GM 4000D 132"/335 cm RD Flat Sail Blade Pack	
110-6115-03	BLADE - FLAT SAIL 21.75"	7
108-1450	GM 4000D 132"/335 cm RD Atomic Blade Pack	
107-0214-03	BLADE - ATOMIC 21.75"	7
137-5500	GM 4000D 132"/335cm Medium Sail Blade Pack	
136-4370-03	BLADE - MEDIUM SAIL 21.75"	7
110-6140	GM 4100D 124"/315 cm RD Flat Sail Blade Pack	
110-6116-03	BLADE - FLAT SAIL 19"	7
108-1451	GM 4100D 124"/315 cm RD Atomic Blade Pack	
107-0215-03	BLADE - ATOMIC 19"	7
108-1463	GM 4500D 27"/69 cm RD Atomic Blade Pack	
107-0235-03	BLADE - ATOMIC 27"	5
108-0800	GM 4500D 27"/69 cm	
108-9026-03	BLADE - COMBINATION 27"	5
108-0800	GM3500D Combo Blade Pack	
108-9026-03	BLADE - COMBINATION 27"	5
108-1464	GM 4700D 27"/69 cm RD Atomic Blade Pack	
107-0235-03	BLADE - ATOMIC 27"	7
115-8896	GM 5900/5910 (2008-2016) Center & Wing Decks Standard Blade Pack	
110-5946-03	BLADE - STANDARD 20"	11
114-0897	GM 5900/5910 (2008-2016) Center & Wing Decks Atomic Blade Pack	
110-5948-03	BLADE - ATOMIC 20"	11
119-8020	GM360 Atomic Blade Pack	
110-0624-03	BLADE-ATOMIC 24.5"	3
119-8021	GM360 High Flow Blade Pack	
110-0622-03	BLADE-MEDIUM FLOW 24.5"	3

QUICK REFERENCE GUIDE

MVP KITS

Filter Kits

Part No.	Description	Qty.
31196	Outcross® 9060 500 Hour MVP Filter Kit	
108-3814	AIR FILTER	1
125-2915	FUEL/WATER SEPARATOR	1
125-7025	FILTER ENGINE OIL	2
125-8752	FILTER FUEL/OIL	1
30065	Greensmaster 500/800/1000/1600 & Flex 18/21 (2004-2011) Filter Kit	
93-8636	AIR FILTER	1
93-8637	AIR FILTER	1
93-8584	SPARK PLUG	1
30097	Greensmaster 800/1000/1600 & Flex 18/21 (2012 & Up) Filter Kit	
121-0618	ELEMENT SET	1
121-0547	SPARK PLUG	1
30064	Greensmaster 3150 (up to 2011) 400 Hour Filter Kit	
107-7817	OIL FILTER	5
107-9531	HYDRAULIC OIL FILTER	1
92-0527	AIR CLEANER CARTRIDGE	1
92-0530	FILTER ELEMENT	1
131-6262	Greensmaster 3120/3150Q (2012 & Up) 800 Hour Filter Kit	
107-7817	FILTER - OIL, ENGINE	9
92-0527	AIR CLEANER CARTRIDGE	8
107-9531	HYDRAULIC OIL FILTER	2
94-2690	FUEL FILTER	1
108-6945	SPARK PLUG	2
131-8785	Greensmaster 3120/3150Q (2012 & Up) 800 Hour Standard Filter Kit	
107-7817	OIL FILTER	8
92-0527	AIR CLEANER CARTRIDGE	8
107-9531	HYDRAULIC OIL FILTER	1
94-2690	FILTER - FUEL	1
108-6945	SPARK PLUG	2
30018	Greensmaster 3250D (2003-2006) 400 Hour Filter Kit	
108-3842	ENGINE OIL FILTER	5
107-9531	HYDRAULIC OIL FILTER	1
108-3811	AIR FILTER	2
30062	Greensmaster 3250D (2007 - 2011) 400 Hour Filter Kit	
108-3842	ENGINE OIL FILTER	3
107-9531	HYDRAULIC OIL FILTER	1
108-3811	AIR FILTER	2
112-9188	FILTER ELEMENT	1
30086	Greensmaster 3250D (2012 & UP) 500 Hour Filter Kit	
115-8189	ENGINE OIL FILTER (KUBOTA D902)	4
107-9531	HYDRAULIC OIL FILTER	1
108-3811	AIR FILTER	2
110-9049	FILTER - SPIN ON	1
30042	Greensmaster 3300/3320 400 Hour Filter Kit	
108-5194	HYDRAULIC OIL FILTER	1
107-7817	ENGINE OIL FILTER	5
30043	Greensmaster 3400/3420 400 Hour Filter Kit	
108-3811	AIR FILTER	2
108-5194	HYDRAULIC OIL FILTER	1
115-8189	ENGINE OIL FILTER	3

Filter Kits - continued

Part No.	Description	Qty.
30016	Reelmaster 3100D (1999-2007) 400 Hour Filter Kit	
108-3841	ENGINE OIL FILTER	3
54-0110	HYDRAULIC OIL FILTER	3
108-3811	AIR FILTER	2
98-9764	FUEL/WATER SEPARATOR	1
108-3828	FUEL FILTER - IN-LINE	1
30053	Reelmaster 3100D (2008 & Up) 400 Hour Filter Kit	
108-3841	ENGINE OIL FILTER	3
54-0110	HYDRAULIC OIL FILTER	2
108-3811	AIR FILTER	2
110-9049	FUEL/WATER SEPARATOR	1
30090	Reelmaster 3550D/3555D/3575D 400 Hour Filter Kit	
108-3841	ENGINE OIL FILTER	3
86-3010	TRANSMISSION OIL FILTER	3
108-3811	AIR FILTER	2
110-9049	FILTER-SPIN ON	1
110-9049	FUEL/WATER SEPARATOR	1
30012	Reelmaster 4000D (2002-2007) 400 Hour Filter Kit	
104-5169	ENGINE OIL FILTER	3
86-6110	HYDRAULIC OIL FILTER	1
108-3828	FUEL FILTER - IN-LINE	1
98-9764	FUEL/WATER SEPARATOR	1
108-3812	AIR FILTER - OUTER	1
108-3813	AIR FILTER - INNER	1
30061	Reelmaster 4000D (2008 & Up) 400 Hour Filter Kit	
104-5169	ENGINE OIL FILTER	3
86-6110	HYDRAULIC OIL FILTER	1
98-9764	FUEL/WATER SEPARATOR	1
108-3812	AIR FILTER - OUTER	1
108-3813	AIR FILTER - INNER	1
30015	Reelmaster 5200D/5400D 400 Hour Filter Kit	
108-3841	ENGINE OIL FILTER	3
110-4146	TRANSMISSION OIL FILTER	1
108-3828	FUEL FILTER - IN-LINE	1
108-3810	AIR FILTER	1
98-9764	FUEL/WATER SEPARATOR	1
30039	Reelmaster 5210/5410/5510 (2006-2007) 400 Hour Filter Kit	
108-3841	ENGINE OIL FILTER	4
108-3828	FUEL FILTER - IN-LINE	1
108-3810	AIR FILTER	1
98-9764	FUEL/WATER SEPARATOR	1
30054	Reelmaster 5210/5410/5510 pre Tier 4 (2008 & Up) 400 Hour Filter Kit	
108-3841	ENGINE OIL FILTER	3
108-3810	AIR FILTER	1
110-9049	FUEL/WATER SEPARATOR	1
94-2621	HYDRAULIC OIL FILTER	1
86-3010	HYDRAULIC OIL FILTER	1
30247	Reelmaster 5010-H 800 Hour Filter Kit	
108-3841	ENGINE OIL FILTER	6
110-9049	FUEL/WATER SEPARATOR	2
86-3010	HYDRAULIC OIL FILTER	1
108-3810	AIR FILTER	1

Filter Kits - continued

Part No.	Description	Qty.
30091	Reelmaster 5410G/5510G 800 Hour MVP Filter Kit	
108-3810	AIR FILTER	1
108-3841	OIL FILTER	4
94-2621	FILTER ELEMENT	1
86-3010	TRANSMISSION OIL FILTER	1
30093	Reelmaster 5410D/5510D Tier4 Final 800 Hour MVP Filter Kit	
108-3810	AIR FILTER	1
125-7025	OIL FILTER	3
94-2621	FILTER ELEMENT	1
86-3010	TRANSMISSION OIL FILTER	1
125-2915	FILTER SPIN ON	2
125-8752	FUEL FILTER	2
30038	Reelmaster 5500D 400 Hour Filter Kit	
108-3841	ENGINE OIL FILTER	5
110-4146	TRANSMISSION OIL FILTER	1
94-2621	HYDRAULIC OIL FILTER	1
108-3810	AIR FILTER	1
98-9764	FUEL/WATER SEPARATOR	1
108-3828	FUEL FILTER - IN-LINE	1
30040	Reelmaster 5610 (2006-2007) 400 Hour Filter Kit	
108-3841	ENGINE OIL FILTER	4
108-3828	FUEL FILTER - IN-LINE	1
108-3812	AIR FILTER	1
98-9764	FUEL/WATER SEPARATOR	1
30055	Reelmaster 5610 (2008- 2012) 400 Hour Filter Kit	
108-3841	ENGINE OIL FILTER	3
108-3812	AIR FILTER	1
110-9049	FUEL/WATER SEPARATOR	1
94-2621	HYDRAULIC OIL FILTER	1
86-3010	HYDRAULIC OIL FILTER	1
30014	Reelmaster 6500D/6700D (2003-2007) 400 Hour Filter Kit	
108-3841	ENGINE OIL FILTER	3
108-3828	FUEL FILTER - IN-LINE	1
98-9764	FUEL/WATER SEPARATOR	1
108-3812	AIR FILTER - OUTER	1
108-3813	AIR FILTER - INNER	1
94-2621	HYDRAULIC OIL FILTER	1
30057	Reelmaster 6500D/6700D (2008 & Up) 400 Hour Filter Kit	
108-3841	ENGINE OIL FILTER	3
110-9049	FUEL/WATER SEPARATOR	1
108-3812	AIR FILTER - OUTER	1
108-3813	AIR FILTER - INNER	1
94-2621	HYDRAULIC OIL FILTER	1
30056	Reelmaster 7000D 400 Hour Filter Kit (2008 & Up)	
104-5169	ENGINE OIL FILTER	3
75-1310	HYD OIL FILTER - PUMP	1
94-2621	HYD OIL FILTER - MANIFOLD	1
110-9049	FUEL/WATER SEPARATOR	1
108-3814	AIR FILTER - OUTER	1
108-3816	AIR FILTER - INNER	1

Filter Kits - continued

Part No.	Description	Qty.
30030	Groundsmaster 223D 400 Hour Filter Kit	
108-3841	ENGINE OIL FILTER	5
23-2300	TRANSMISSION OIL FILTER	2
43-2550	FILTER - ELEC FUEL PUMP	1
63-8300	FUEL/WATER SEPARATOR	1
108-3833	AIR FILTER	2
30002	Groundsmaster 225 400 Hour Filter Kit	
108-3842	ENGINE OIL FILTER	5
23-2300	TRANSMISSION OIL FILTER	3
108-3833	AIR FILTER	1
95-2926	FUEL FILTER	1
30001	Groundsmaster 228D 400 Hour Filter Kit	
108-3841	ENGINE OIL FILTER	5
23-2300	TRANSMISSION OIL FILTER	3
98-9764	FUEL/WATER SEPARATOR	1
108-3828	FUEL FILTER - IN-LINE	1
108-3810	AIR FILTER	1
30023	Groundsmaster 325D 400 Hour Filter Kit	
108-3841	ENGINE OIL FILTER	5
23-9740	TRANSMISSION OIL FILTER	3
43-2550	FILTER - ELEC FUEL PUMP	1
63-8300	FUEL/WATER SEPARATOR	1
108-3833	AIR FILTER	1
30022	Groundsmaster 328D (2001-2007) 400 Hour Filter Kit	
108-3841	ENGINE OIL FILTER	3
23-9740	TRANSMISSION OIL FILTER	3
108-3828	FUEL FILTER - IN-LINE	1
98-9764	FUEL/WATER SEPARATOR	1
108-3810	AIR FILTER	1
30059	Groundsmaster 328D (2008 & Up) 400 Hour Filter Kit	
108-3841	ENGINE OIL FILTER	3
23-9740	TRANSMISSION OIL FILTER	3
112-7836	FUEL FILTER - IN-LINE	1
110-9049	FUEL/WATER SEPARATOR	1
108-3810	AIR FILTER	2
30021	Groundsmaster 345 400 Hour Filter Kit	
108-3817	ENGINE OIL FILTER	5
23-9740	TRANSMISSION OIL FILTER	3
108-3831	FUEL FILTER	1
108-3833	AIR FILTER	1
30261	Groundsmaster 360/7210 Tier4 Final - Yanmar (2015 & after) 400 Hour Filter Kit	
108-3810	FILTER - AIR	1
125-7025	FILTER	1
108-5194	FILTER - OIL, HYDRAULIC	1
125-2915	FILTER - SPIN ON	1
125-8752	FILTER - FUEL	1
30028	Groundsmaster 455D 400 Hour Filter Kit	
108-3837	ENGINE OIL FILTER	5
86-3010	HYDRAULIC OIL FILTER	1
76-5220	FUEL FILTER	1
108-3812	AIR FILTER - OUTER	1
108-3813	AIR FILTER - INNER	1

*Not illustrated. **Not sold separately. See pages 20-33 for kit contents. Prices subject to change without notice. Please see your Parts Catalog or Master Parts Viewer to ensure the correct part is ordered, as the part you need may not be listed above. toro.com/parts

QUICK REFERENCE GUIDE

MVP KITS

Filter Kits - continued

Part No.	Description	Qty.
30024	Groundsmaster 580D (1989-2003) 400 Hour Filter Kit	
110-6166	ENGINE OIL FILTER	5
69-1720	HYDRAULIC OIL FILTER	2
69-1770	FUEL/WATER SEPARATOR	2
108-3815	AIR FILTER	1
30063	Groundsmaster 580D (2004-2008) 400 Hour Filter Kit	
110-6166	ENGINE OIL FILTER	3
69-1720	HYDRAULIC OIL FILTER	2
60-5470	FUEL/WATER SEPARATOR	1
108-3815	AIR FILTER	2
30010	Groundsmaster 3000D 400 Hour Filter Kit	
108-3837	ENGINE OIL FILTER	5
94-3951	HYDRAULIC OIL FILTER	2
76-5220	FUEL FILTER	1
108-3812	AIR FILTER	1
30034	Groundsmaster 3280D (2005-2007) 400 Hour Filter Kit	
108-3841	ENGINE OIL FILTER	4
23-2300	TRANSMISSION OIL FILTER	4
98-9764	FUEL/WATER SEPARATOR	1
108-3828	FUEL FILTER - IN-LINE	1
108-3810	AIR FILTER	1
30051	Groundsmaster 3280D (2008-2015) 400 Hour Filter Kit	
108-3841	ENGINE OIL FILTER	3
23-2300	TRANSMISSION OIL FILTER	2
110-9049	FUEL/WATER SEPARATOR	1
108-3810	AIR FILTER	1
30262	Groundsmaster 3280D (2016 & After) 400 Hour Filter Kit	
108-3841	ENGINE OIL FILTER	3
54-0110	TRANSMISSION OIL FILTER	2
110-9049	FUEL/WATER SEPARATOR	1
108-3810	AIR FILTER	1
30027	Groundsmaster 3500D/3505D (2002-2007) 400 Hour Filter Kit	
108-3841	ENGINE OIL FILTER	3
86-3010	HYDRAULIC OIL FILTER	3
108-3828	FUEL FILTER - IN-LINE	1
98-9764	FUEL/WATER SEPARATOR	1
108-3810	AIR FILTER	2
30058	Groundsmaster 3500D/3505D (2008-2012) 400 Hour Filter Kit	
108-3841	ENGINE OIL FILTER	3
86-3010	HYDRAULIC OIL FILTER	3
110-9049	FUEL/WATER SEPARATOR	1
108-3810	AIR FILTER	2
30090	Groundsmaster 3500D/3505D (Model 30807 & 30849) 400 Hour Filter Kit	
108-3841	ENGINE OIL FILTER	3
86-3010	TRANSMISSION OIL FILTER	3
108-3811	AIR FILTER	2
110-9049	FILTER-SPIN ON	1
110-9049	FUEL/WATER SEPARATOR	1

Filter Kits - continued

Part No.	Description	Qty.
30246	Groundsmaster 3500G (Model 30809) 400 Hour Filter MVP Kit	
108-3811	AIR FILTER	2
115-8189	ENGINE OIL FILTER	3
86-3010	HYDRAULIC OIL FILTER	3
121-3625	FUEL PUMP FILTER	1
30029	Groundsmaster 4000D/41000D/4500D/4700D (2002-2008) 400 Hour Filter Kit	
104-5169	ENGINE OIL FILTER	3
75-1310	HYD OIL FILTER - PUMP	1
94-2621	HYD OIL FILTER - MANIFOLD	1
98-9764	FUEL/WATER SEPARATOR	1
108-3828	FUEL FILTER - IN-LINE	1
108-3814	AIR FILTER - OUTER	1
108-3816	AIR FILTER - INNER	1
30056	Groundsmaster 4000D/41000D/4500D/4700D (2008 & 2012) 400 Hour Filter Kit	
104-5169	ENGINE OIL FILTER	3
75-1310	HYD OIL FILTER - PUMP	1
94-2621	HYD OIL FILTER - MANIFOLD	2
110-9049	FUEL/WATER SEPARATOR	1
108-3814	AIR FILTER - OUTER	1
108-3816	AIR FILTER - INNER	1
30089	Groundsmaster 4000D/4100D/4500D/4700D Tier 4i 800 Hour Filter MVP Kit Yanmar Engine	
125-7025	OIL FILTER	3
75-1310	HYDRAULIC OIL FILTER	1
94-2621	HYDRAULIC OIL FILTER	1
115-9793	BREATHER	1
108-3814	AIR FILTER	1
108-3816	AIR FILTER	1
110-9049	FILTER SPIN ON	2
110-4812	FUEL FILTER	1
30408	Groundsmaster 4000D/4100D/4500D/4700D Tier 4 Final (2013 & Up) 800 Hour Filter MVP Kit	
125-7025	OIL FILTER	3
75-1310	HYDRAULIC OIL FILTER	1
94-2621	HYDRAULIC OIL FILTER	1
115-9793	BREATHER	1
108-3814	AIR FILTER	1
108-3816	AIR FILTER	1
125-2915	FILTER SPIN ON	2
125-8752	FUEL FILTER	2
110-4812	AXLE VENT ASM	1
110-4815	INSERT FILTER ASM	1
30055	Groundsmaster 4300 400 Hour Filter Kit (2008 - 2012)	
108-3841	ENGINE OIL FILTER	3
108-3812	AIR FILTER	1
110-9049	FUEL/WATER SEPARATOR	1
94-2621	HYDRAULIC OIL FILTER	1
86-3010	HYDRAULIC OIL FILTER	1

Filter Kits - continued

Part No.	Description	Qty.
30093	Groundsmaster 4300D 800 Hour MVP Filter Kit (2012 & Up)	
108-3810	AIR FILTER	1
125-7025	OIL FILTER	3
94-2621	FILTER ELEMENT	1
86-3010	TRANSMISSION OIL FILTER	1
125-2915	FILTER SPIN ON	2
125-8752	FUEL FILTER	2
30041	Groundsmaster 5900/5910 400 Hour Filter Kit	
130-8860	ENGINE OIL FILTER	2
86-6110	HYD OIL FILTER - MAIN	1
75-1310	HYD OIL FILTER - PTO	1
115-5471	FUEL/WATER SEPARATOR	1
117-2792	FUEL FILTER - AT ENGINE	1
31609	Groundsmaster 5900 Tier 4 Final 400 Hour Filter Kit	
125-7025	OIL FILTER	2
75-1310	HYD OIL FILTER - PTO	1
86-6110	HYD OIL FILTER - MAIN	1
125-2915	FILTER SPIN ON	1
125-8752	FUEL FILTER	1
30037	Groundsmaster 7200/7210 (2007-2013) 400 Hour Filter Kit	
108-3841	ENGINE OIL FILTER	3
108-5194	TRANSMISSION OIL FILTER	2
98-9764	FUEL/WATER SEPARATOR	1
108-3810	AIR FILTER	1
108-3828	FUEL FILTER - IN-LINE	1
30052	Groundsmaster 7200/7210 (2008-2014) 400 Hour Filter Kit - Kubota	
108-3841	ENGINE OIL FILTER	3
108-5194	TRANSMISSION OIL FILTER	1
110-9049	FUEL/WATER SEPARATOR	1
108-3810	AIR FILTER	1
30008	Hydroject 3000 Aerator 400 Hour Maintenance Kit	
108-3817	ENGINE OIL FILTER	5
67-8110	TRANSMISSION OIL FILTER	3
71-5960	FUEL FILTER	2
82-0660	AIR FILTER - ELEMENT	2
57-9340	SPARK PLUG	2
30005	Workman 1100/1110/MD 400 Hour Filter Kit	
108-3811	AIR FILTER	2
30004	Workman 2100/2110/MDX 400 Hour Filter Kit	
107-7817	ENGINE OIL FILTER	4
108-3811	AIR FILTER	2
30017	Workman 3200/4200 (2002 Up) 400 Hour Maintenance Kit	
108-3842	ENGINE OIL FILTER	5
108-3811	AIR FILTER	2
105-8045	FUEL FILTER	1
108-6945	SPARK PLUG	3
30006	Workman 3300D/4300D (2002 Up) 400 Hour Filter Kit	
108-3842	ENGINE OIL FILTER	5
108-3811	AIR FILTER	1
54-0110	TRANSMISSION OIL FILTER	1
63-8300	FUEL/WATER SEPARATOR	1

Filter Kits - continued

Part No.	Description	Qty.
30035	Sand/Infield Pro 3040/5040 400 Hour Filter Kit	
107-7817	ENGINE OIL FILTER	9
54-0110	HYDRAULIC OIL FILTER	2
108-3811	AIR FILTER	2
08725	SandPro 2040Z 400 Hour Filter Kit	
114-3494	FILTER ELEMENT	2
127-0381	INNER FILTER KIT	4
119-5852	OIL FILTER	5
108-3811	AIR FILTER	2
115-7854	IN-LINE FUEL FILTER	2
92-2153	SPARK PLUG	2
131-3751	1200/1250/1750 MVP Kit Filter/Screen Suction	
120-0796	PUMP KIT	1
100-8642	SUCTION SCREEN	1
131-0209	PRESSURE SCREEN	1
130-7304	VALVE KIT	6
30073	Workman HDX Series (2012 & Older) - 400 Hour Maintenance Kit	
108-3811	AIR FILTER	2
108-3842	OIL FILTER	3
115-7854	FUEL FILTER - INLINE (5/16)	2
54-0110	TRANSMISSION OIL FILTER	1
115-7818	FUEL FILTER ASM	1
30068	Workman HDX-D Series (2012 & Older) - 400 Hour Maintenance Kit	
108-3811	AIR FILTER	2
108-3842	OIL FILTER	3
110-9049	FUEL/WATER SEPARATOR	1
54-0110	TRANSMISSION OIL FILTER	1
30248	Workman HDX Series (2013 & Up) - 400 Hour Maintenance Kit	
108-3810	AIR FILTER	2
115-8189	FILTER-OIL, ENGINE	3
115-7818	FUEL FILTER ASM	1
54-0110	FILTER-OIL,TRANSMISSION	1
125-9139	SPARK PLUG	3
110-3796	V-BELT	1
30249	Workman HDX-D Series (2013 & Up) - 400 Hour Maintenance Kit	
108-3810	AIR FILTER	2
115-8189	FILTER-OIL, ENGINE	3
110-9049	FILTER-SPIN ON	1
54-0110	FILTER-OIL,TRANSMISSION	1
110-3796	V-BELT	1
131-8276	Workman HDX-Auto (2014 & Up) - 400 Hour Maintenance Kit	
108-3811	AIR FILTER	4
108-3847	OIL FILTER	3
115-7818	FUEL FILTER ASM	1
54-0110	FILTER-OIL,TRANSMISSION	1
136-1100	SPARK PLUG	2
136-6280	Workman GTX - 400 Hour Maintenance Kit	
108-3811	AIR FILTER	4
131-8589	SPARK PLUG	1
130-8380	FUEL FILTER	1

*Not illustrated. **Not sold separately. See pages 20-33 for kit contents. Prices subject to change without notice. Please see your Parts Catalog or Master Parts Viewer to ensure the correct part is ordered, as the part you need may not be listed above. toro.com/parts

QUICK REFERENCE GUIDE

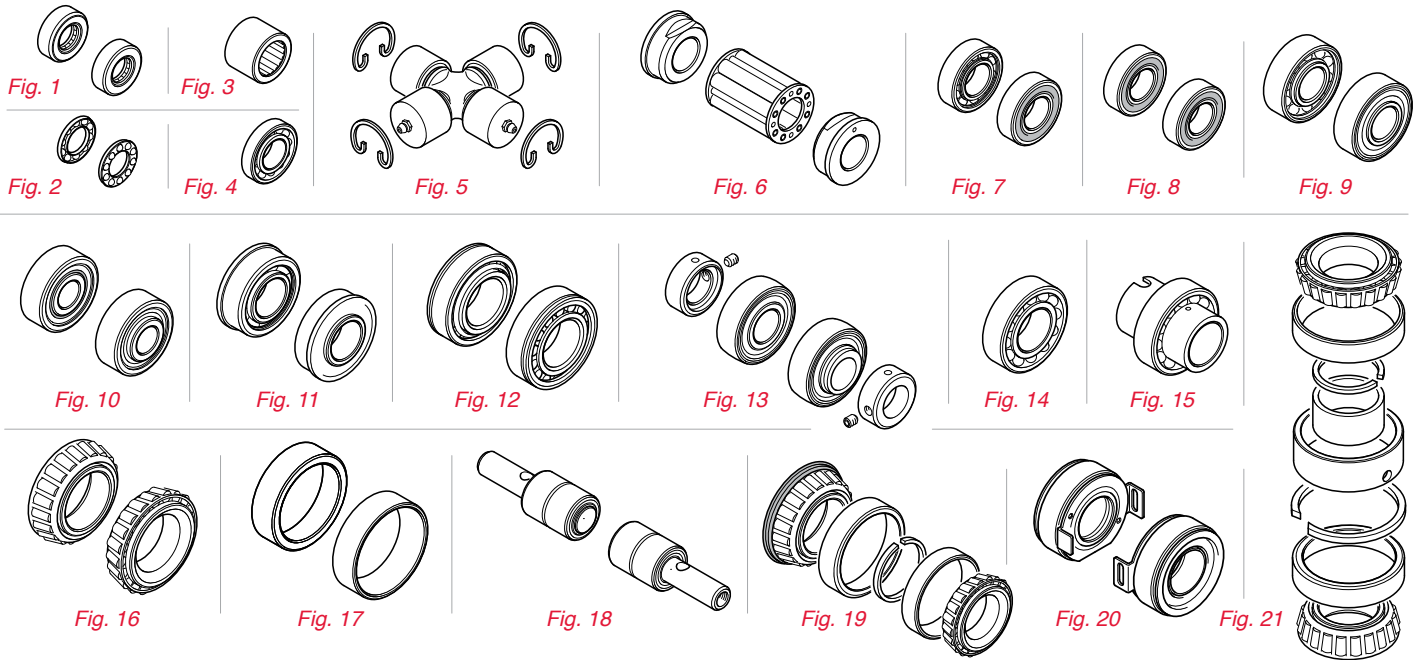
MVP KITS

Touch-Up Paint

Part No.	Description	Qty.
361-1	TORO Red (Prior to 1990) 12 oz Spray Can Touch-Up Paint	A/R
361-10	TORO Red (1990 & Up) 12 oz Spray Can Touch-Up Paint	A/R
112-0178	TORO Red (1990 & Up) 0.6 oz Brush-in-Cap Touch-Up Paint	A/R
112-0177	TORO Red (1990 & Up) 0.3 oz Paint Marker Touch-Up Paint	A/R
112-0176	TORO Black 0.6 oz Brush-in-Cap Touch-Up Paint	A/R
112-0175	TORO Black 0.3 oz Paint Marker Touch-Up Paint	A/R

QUICK REFERENCE GUIDE

BEARINGS



Greensmaster® - Walkers

Equipment	Application	Fig. No.	Component	Year	Description	Part No.
Greensmaster 800 1000 1600 2000 2600	<i>Cutting Unit</i>	14	Reel	All	BALL BEARING ASSEMBLY - DUAL ROW	251-342
		19	Front Roller	All	BEARING & SHAFT ASSEMBLY	52-3180
		7	Groomer Reel Shaft	All	BALL BEARING ASSEMBLY - OUTER SEAL ONLY	251-327
		7	Groomer Drive Belt Idler	All	BALL BEARING ASSEMBLY - OUTER SEAL ONLY	251-328
		<i>Traction Unit</i>	7	Reel Drive Clutch Housing	1993 & Up	BALL BEARING ASSEMBLY - OUTER SEAL ONLY
8	Reel Drive Clutch		All	BALL BEARING ASSEMBLY - SEALED	251-336	
14	Countershaft Support		All	BALL BEARING ASSEMBLY - DUAL ROW	251-338	
8	Idler Pulleys		All	BALL BEARING ASSEMBLY - SEALED	38-7820	
14	Drum Drive Shaft		All	BALL BEARING ASSEMBLY - DUAL ROW	251-338	
7	Drum Spindle/Hub		1990-99	BALL BEARING ASSEMBLY - OUTER SEAL ONLY	251-257	
8	Drum Spindle/Hub		2000 & Up	BALL BEARING ASSEMBLY - SEALED	251-82	
13	Drum - Outer Shaft Bearing		1993 & Up	BALL BEARING ASSEMBLY - SELF ALIGNING	88-7880	
Greensmaster Flex 1800 2100	<i>Cutting Unit</i>	14	Reel	All	BALL BEARING ASSEMBLY - DUAL ROW	251-342
		8	Roller	All	BALL BEARING ASSEMBLY - SEALED	251-347
		8	Groomer Drive Belt Idler	All	BALL BEARING ASSEMBLY - SEALED	251-259
		*	Groomer Drive	All	BEARING - RH REVERSE GROOMER	106-4237
		eFlex 1800 2100	<i>Traction Unit</i>	8	Reel Drive Shaft	All
13	Drum Drive Shaft			2001-04	BALL BEARING - SELF ALIGNING W/COLLAR	104-0538
13	Drum Drive Shaft			2005 & Up	BALL BEARING - SELF ALIGNING W/COLLAR	106-8448
8	Drum Spindle/Hub			All	BALL BEARING ASSEMBLY - SEALED	251-82
Trans Pro 80 100	<i>Trailer</i>	16	Wheel - Inner/Outer Bearing	All	ROLLER BEARING ASSEMBLY - TAPERED CONE	254-92
		17	Wheel - Inner/Outer Bearing	All	BEARING RACE - TAPERED CUP	254-72

QUICK REFERENCE GUIDE

BEARINGS

Greensmaster® - Riders

Equipment	Application	Fig. No.	Component	Year	Description	Part No.	
Greensmaster 3300 Style Cutting Units*	<i>4-Bolt</i>	18	Front Roller	1974 & Up	BEARING & SHAFT ASSEMBLY	21-6410	
		19	Rear Roller	1974 & Up	BEARING & SHAFT ASSEMBLY	52-3180	
	<i>Spiker</i>	18	Front & Rear Rollers	1974 & Up	BEARING & SHAFT ASSEMBLY	21-6410	
		<i>4 Bolt & SPA</i>	16	Reel	All	ROLLER BEARING ASSEMBLY - TAPERED CONE	254-94
			17	Reel	All	BEARING RACE - TAPERED CUP	254-72
		2	Reel Adjustment Knob	1985-86	THRUST BEARING CAGE ASSEMBLY	257-6	
		19	Front & Rear Rollers	All	BEARING & SHAFT ASSEMBLY	52-3180	
		7	Roller Brush Kit Rear Roller	All	BALL BEARING ASSEMBLY - OUTER SEAL ONLY	85-9970	
		<i>Groomer</i>	7	Groomer Reel Drive	All	BALL BEARING ASSEMBLY - OUTER SEAL ONLY	251-327
	7		Groomer Drive Shaft	All	BALL BEARING ASSEMBLY - OUTER SEAL ONLY	251-327	
	7		Groomer Drive Belt Idler	All	BALL BEARING ASSEMBLY - OUTER SEAL ONLY	251-328	
	Greensmaster 3200 Style Cutting Units*	<i>Spiker</i>	19	Front & Rear Rollers	1985-92	BEARING & SHAFT ASSEMBLY	52-3180
			<i>4-Bolt & SPA</i>	14	Reel	1995-00	BALL BEARING ASSEMBLY - DUAL ROW
		9		Front Roller	All	BALL BEARING ASSEMBLY - OUTER SEAL ONLY	93-2559
		18		Wiehle Front Roller	All	BEARING & SHAFT ASSEMBLY	75-1290
		9		Rear Roller	1995-98	BALL BEARING ASSEMBLY - OUTER SEAL ONLY	93-2559
		7		Rear Roller	1999-00	BALL BEARING ASSEMBLY - OUTER SEAL ONLY	85-9970
		13		Rear Roller Brush Shaft	All	BALL BEARING - SELF ALIGNING W/COLLAR	98-5208
		4		Rear Roller Brush Drive Shaft	All	BALL BEARING ASSEMBLY - SINGLE ROW	98-5215
<i>Groomer</i>		14	Groomer Reel Drive	All	BALL BEARING ASSEMBLY - SINGLE ROW	251-336	
		8	Groomer Drive Shaft	All	BALL BEARING ASSEMBLY - SEALED	95-0707	
		7	Groomer Drive Belt Idler	All	BALL BEARING ASSEMBLY - OUTER SEAL ONLY	38-7820	
<i>Dethatcher</i>		7	Front Roller	1997 & Up	BALL BEARING ASSEMBLY - OUTER SEAL ONLY	85-9970	
<i>Spiker</i>		9	Rear Roller	All	BALL BEARING ASSEMBLY - OUTER SEAL ONLY	93-2559	
<i>Tri-Roller</i>		9	Rear Roller	All	BALL BEARING ASSEMBLY - OUTER SEAL ONLY	93-2559	
Greensmaster 3050 Style Cutting Units*		<i>4-Bolt & SPA</i>	14	Reel	2001	BALL BEARING ASSEMBLY - DUAL ROW	93-2489
			14	Reel	2002-03	BALL BEARING ASSEMBLY - DUAL ROW	105-3827
		<i>Spiker</i>	19	Front Roller	All	BEARING & SHAFT ASSEMBLY	52-3180
			7	Rear Roller	All	BALL BEARING ASSEMBLY - OUTER SEAL ONLY	85-9970
			13	Rear Roller Brush Shaft	All	BALL BEARING - SELF ALIGNING W/COLLAR	98-5208
	<i>Groomer</i>	4	Rear Roller Brush Drive Shaft	All	BALL BEARING ASSEMBLY - SINGLE ROW	98-5215	
		14	Groomer Reel	All	BALL BEARING ASSEMBLY - SINGLE ROW	95-0707	
		8	Groomer Drive Shaft	All	BALL BEARING ASSEMBLY - SEALED	251-336	
	<i>Spiker</i>	7	Groomer Drive Belt Idler	All	BALL BEARING ASSEMBLY - OUTER SEAL ONLY	38-7820	
		9	Rear Roller	All	BALL BEARING ASSEMBLY - OUTER SEAL ONLY	93-2559	
		9	Rear Roller	All	BALL BEARING ASSEMBLY - OUTER SEAL ONLY	93-2559	
	Greensmaster DPA Cutting Units*	<i>Spiker</i>	14	Reel	2003-06	BALL BEARING ASSEMBLY - DUAL ROW	93-2489
			8	Roller	All	BALL BEARING ASSEMBLY - SEALED	251-347
			13	Rear Roller Brush Shaft	All	BALL BEARING - SELF ALIGNING W/COLLAR	132-6979
<i>DPA</i>		8	Roller Brush Drive Belt Idler	All	BALL BEARING ASSEMBLY - SEALED	251-259	
		8	Groomer Drive Belt Idler	All	BALL BEARING ASSEMBLY - SEALED	251-259	
		8	Groomer Drive Belt Idler	All	BALL BEARING ASSEMBLY - SEALED	251-259	
Greensmaster 300	<i>Traction Unit</i>	9	Pull Frame Roller	All	BALL BEARING ASSEMBLY - OUTER SEAL ONLY	133-2378	
		16	Rear Wheel	All	ROLLER BEARING ASSEMBLY - TAPERED CONE	254-78	
		17	Rear Wheel	All	BEARING RACE - TAPERED CUP	254-79	
Greensmaster 3000 3000D	<i>Traction Unit</i>	9	Pull Frame Roller	All	BALL BEARING ASSEMBLY - OUTER SEAL ONLY	133-2378	
		16	Rear Wheel	All	ROLLER BEARING ASSEMBLY - TAPERED CONE	254-78	
		17	Rear Wheel	All	BEARING RACE - TAPERED CUP	254-79	
Greensmaster 3050	<i>Traction Unit</i>	9	Pull Frame Roller	All	BALL BEARING ASSEMBLY - OUTER SEAL ONLY	133-2378	
		16	Rear Wheel	All	ROLLER BEARING ASSEMBLY - TAPERED CONE	254-78	
		17	Rear Wheel	All	BEARING RACE - TAPERED CUP	254-79	
Greensmaster 3100D	<i>Traction Unit</i>	9	Pull Frame Roller	All	BALL BEARING ASSEMBLY - OUTER SEAL ONLY	133-2378	
		16	2WD Rear Wheel	All	ROLLER BEARING ASSEMBLY - TAPERED CONE	254-78	
		17	2WD Rear Wheel	All	BEARING RACE - TAPERED CUP	254-79	
Greensmaster 3150	<i>Traction Unit</i>	9	Pull Frame Roller	All	BALL BEARING ASSEMBLY - OUTER SEAL ONLY	133-2378	
		8	Neutral Centering Device	All	BALL BEARING ASSEMBLY - SEALED	251-259	
		8	Traction Function Lever	All	BALL BEARING ASSEMBLY - SEALED	251-259	
		16	Rear Wheel	All	ROLLER BEARING ASSEMBLY - TAPERED CONE	254-78	
		17	Rear Wheel	All	BEARING RACE - TAPERED CUP	254-79	
Greensmaster 3200 3200D	<i>Traction Unit</i>	8	Neutral Arm	All	BALL BEARING ASSEMBLY - SEALED	251-259	
		8	Traction Function Lever	All	BALL BEARING ASSEMBLY - SEALED	251-259	
		16	Rear Wheel	All	ROLLER BEARING ASSEMBLY - TAPERED CONE	254-78	
		17	Rear Wheel	All	BEARING RACE - TAPERED CUP	254-79	

*Not illustrated. **Not sold separately. See pages 20-33 for kit contents. Prices subject to change without notice. Please see your Parts Catalog or Master Parts Viewer to ensure the correct part is ordered, as the part you need may not be listed above. toro.com/parts

QUICK REFERENCE GUIDE

BEARINGS

Greensmaster® - Riders - continued

Equipment	Application	Fig. No.	Component	Year	Description	Part No.
Greensmaster 3250D	<i>Traction Unit</i>	8	Neutral Centering Device	All	BALL BEARING ASSEMBLY - SEALED	251-259
		8	Traction Function Lever	All	BALL BEARING ASSEMBLY - SEALED	251-259
		16	Rear Wheel	All	ROLLER BEARING ASSEMBLY - TAPERED CONE	254-78
		17	Rear Wheel	All	BEARING RACE - TAPERED CUP	254-79
Greensmaster 3300	<i>Cutting Unit</i>	8	Rear Rollers	All	BALL BEARING ASSEMBLY - SEALED	251-347
		*	Groomer Drive	All	BEARING - RH REVERSE GROOMER	106-4237
3320	<i>Traction Unit</i>	8	Neutral Centering Device	All	BALL BEARING ASSEMBLY - SEALED	251-259
3400		17	Rear Wheel	All	BEARING RACE - TAPERED CUP	254-72
3420						

*Greensmaster cutting units can be attached to a variety of Greensmaster traction units. Use the Greensmaster Cutting Unit Reference Chart to help recognize cutting units by name.

Reelmaster®

Equipment	Application	Fig. No.	Component	Year	DESCRIPTION	Part No.	
Reelmaster 216 216D	<i>Cutting Unit</i>	16	Rear Wheel	All	ROLLER BEARING ASSEMBLY - TAPERED CONE	254-94	
		13	Reel	1987-88	BALL BEARING ASSEMBLY - SELF ALIGNING	71-1360	
		13	Reel	1989 & Up	BALL BEARING ASSEMBLY - SELF ALIGNING	251-331	
		2	Reel Adjustment Knob	All	THRUST BEARING CAGE ASSEMBLY	257-6	
	<i>Traction Unit</i>	17	Front & Rear Rollers	All	BEARING RACE - TAPERED CUP	254-79	
		16	Front & Rear Rollers	All	ROLLER BEARING ASSEMBLY - TAPERED CONE	254-78	
		8	Neutral Centering Device	All	BALL BEARING ASSEMBLY - SEALED	251-259	
		11	2 WD Rear Wheel	All	BALL BEARING ASSEMBLY - FLANGED	251-321	
Grounds Pro 2000 2000D	<i>Cutting Unit</i>	13	Reel	All	BALL BEARING ASSEMBLY - SELF ALIGNING	251-331	
		2	Reel Adjustment Knob	All	THRUST BEARING CAGE ASSEMBLY	257-6	
		16	Front & Rear Rollers	All	ROLLER BEARING ASSEMBLY - TAPERED CONE	254-78	
	<i>Traction Unit</i>	17	Front & Rear Rollers	All	BEARING RACE - TAPERED CUP	254-79	
		8	Neutral Centering Device	All	BALL BEARING ASSEMBLY - SEALED	251-259	
Reelmaster 2000D	<i>Cutting Units</i>	13	Reel	All	BALL BEARING ASSEMBLY - SELF ALIGNING	100-4926	
		17	Front & Rear Rollers	All	BEARING RACE - TAPERED CUP	254-79	
		16	Front & Rear Rollers	All	ROLLER BEARING ASSEMBLY - TAPERED CONE	254-78	
		8	27" Verticut - Roller	All	BALL BEARING ASSEMBLY - SEALED	251-347	
	<i>Traction Unit</i>	8	Neutral Centering Device	All	BALL BEARING ASSEMBLY - SEALED	251-259	
		16	Rear Wheel - Inner/Outer	All	ROLLER BEARING ASSEMBLY - TAPERED CONE	254-94	
		17	Rear Wheel - Inner/Outer	All	BEARING RACE - TAPERED CUP	254-72	
Reelmaster 2300D 2600D	<i>Cutting Units</i>	13	Reel	All	BALL BEARING ASSEMBLY - SELF ALIGNING	88-7880	
		2	Reel Adjust	All	THRUST BEARING CAGE ASSEMBLY	257-6	
		16	Front & Rear Rollers	All	ROLLER BEARING ASSEMBLY - TAPERED CONE	254-78	
	<i>Traction Unit</i>	17	Front & Rear Rollers	All	BEARING RACE - TAPERED CUP	254-79	
		8	Neutral Centering Device	All	BALL BEARING ASSEMBLY - SEALED	251-259	
Reelmaster 3100D	<i>Cutting Units</i>	11	2WD Rear Wheel	All	BALL BEARING ASSEMBLY - FLANGED	251-321	
		13	Reel	All	BALL BEARING ASSEMBLY - SELF ALIGNING	100-4926	
		17	Front & Rear Rollers	All	BEARING RACE - TAPERED CUP	254-79	
		16	Front & Rear Rollers	All	ROLLER BEARING ASSEMBLY - TAPERED CONE	254-78	
	<i>Traction Unit</i>	8	27" Verticut - Roller	All	BALL BEARING ASSEMBLY - SEALED	251-347	
		8	Neutral Centering Device	All	BALL BEARING ASSEMBLY - SEALED	251-259	
Reelmaster 223D 5100D 5300D	<i>Cutting Unit</i>	8	Traction Pedal	All	BALL BEARING ASSEMBLY - SEALED	251-259	
		16	Reel	All	ROLLER BEARING ASSEMBLY - TAPERED CONE	254-94	
		17	Reel	All	BEARING RACE - TAPERED CUP	254-72	
		18	Front Roller	All	BEARING & SHAFT ASSEMBLY	75-1290	
		19	Rear Roller	1990-91	BEARING & SHAFT ASSEMBLY	52-3180	
		7	Rear Roller	All	BALL BEARING ASSEMBLY - OUTER SEAL ONLY	85-9970	
		13	Rear Roller Brush Shaft	All	BALL BEARING - SELF ALIGNING W/COLLAR	98-5208	
		8	Rear Roller Brush Drive Shaft	All	BALL BEARING ASSEMBLY - SEALED	251-336	
		8	Roller Brush Drive Belt Idler	All	BALL BEARING ASSEMBLY - SEALED	251-259	
		18	Dethatcher - Rollers	All	BEARING & SHAFT ASSEMBLY	75-1290	
		<i>Traction Unit</i>	8	Compensating Carrier Frame	All	BALL BEARING ASSEMBLY - SEALED	251-259
			8	Neutral Centering Device	All	BALL BEARING ASSEMBLY - SEALED	251-259
	7		Cooling Fan Shaft	All	BALL BEARING ASSEMBLY - OUTER SEAL ONLY	251-318	
	12		Front Axle - Outer Bearing	All	ROLLER BEARING ASSEMBLY	21-8180	
			16	2WD Rear Wheel - In/Out	All	ROLLER BEARING ASSEMBLY - TAPERED CONE	254-94
			17	2WD Rear Wheel - In/Out	All	BEARING RACE - TAPERED CUP	254-72
		8	4WD Rear Axle Knuckle	All	BALL BEARING ASSEMBLY - SEALED	251-347	

Reelmaster® - continued

Equipment	Application	Fig. No.	Component	Year	Description	Part No.		
Reelmaster 5200D 5400D	<i>Cutting Unit</i>	16	Reel	All	ROLLER BEARING ASSEMBLY - TAPERED CONE	254-94		
		17	Reel	All	BEARING RACE - TAPERED CUP	254-72		
		18	Front & Rear Roller	1998-01	BEARING & SHAFT ASSEMBLY	75-1290		
		7	Front & Rear Roller	2001-06	BALL BEARING ASSEMBLY - OUTER SEAL ONLY	109966		
		13	Roller Brush Shaft	All	BALL BEARING - SELF ALIGNING W/COLLAR	132-6979		
		4	Roller Brush Drive Shaft	All	BALL BEARING ASSEMBLY - SINGLE ROW	98-5215		
		8	Roller Brush Drive Belt Idler	All	BALL BEARING ASSEMBLY - SEALED	251-259		
		18	Dethatcher - Rollers	All	BEARING & SHAFT ASSEMBLY	75-1290		
	<i>Traction Unit</i>	8	Compensating Carrier Frame	All	BALL BEARING ASSEMBLY - SEALED	251-259		
		8	Neutral Centering Device	All	BALL BEARING ASSEMBLY - SEALED	251-259		
		7	Cooling Fan Shaft	All	BALL BEARING ASSEMBLY - OUTER SEAL ONLY	251-318		
		12	Front Axle - Outer Bearing	All	ROLLER BEARING ASSEMBLY	21-8180		
		16	2WD Rear Wheel - In/Out	All	ROLLER BEARING ASSEMBLY - TAPERED CONE	254-94		
		17	2WD Rear Wheel - In/Out	All	BEARING RACE - TAPERED CUP	254-72		
8		4WD Rear Axle Knuckle	1998-99	BALL BEARING ASSEMBLY - SEALED	251-347			
Reelmaster 5010-H 5210 5410 5510 5610		<i>Cutting Unit</i>	14	Reel	All	BALL BEARING ASSEMBLY - DUAL ROW	93-2489	
	7		Front & Rear Roller	2006-07	BALL BEARING ASSEMBLY - OUTER SEAL ONLY	109966		
	7		Front & Rear Roller	2008 & Up	BALL BEARING ASSEMBLY - OUTER SEAL ONLY	112-5290		
	9		Roller Brush Drive Shaft	All	BALL BEARING ASSEMBLY - OUTER SEAL ONLY	93-2559		
	14		Roller Brush Shaft	All	BALL BEARING ASSEMBLY - SINGLE ROW	95-0707		
	9		Groomer Drive Shaft	All	BALL BEARING ASSEMBLY - OUTER SEAL ONLY	93-2559		
	14		Groomer Reel	All	BALL BEARING ASSEMBLY - SINGLE ROW	95-0707		
	<i>Traction Unit</i>		16	2WD Rear Wheel - In/Out	All	ROLLER BEARING ASSEMBLY - TAPERED CONE	254-94	
		17	2WD Rear Wheel - In/Out	All	BEARING RACE - TAPERED CUP	254-72		
		*	Pedal Assembly	All	BEARING - MOUNT, FLANGE	256-236		
		Reelmaster 5500D	<i>Cutting Units</i>	14	Reel	All	BALL BEARING ASSEMBLY - DUAL ROW	93-2489
				7	Roller	All	BALL BEARING ASSEMBLY - OUTER SEAL ONLY	109966
				13	Roller Brush Shaft	All	BALL BEARING - SELF ALIGNING W/COLLAR	132-6979
	4			Roller Brush Drive Shaft	All	BALL BEARING ASSEMBLY - SINGLE ROW	98-5215	
8	Roller Brush Drive Belt Idler			All	BALL BEARING ASSEMBLY - SEALED	251-259		
14	Groomer Reel			All	BALL BEARING ASSEMBLY - SINGLE ROW	95-0707		
8	Dethatcher - Roller			All	BALL BEARING ASSEMBLY - SEALED	251-347		
<i>Traction Unit</i>	8			Neutral Centering Device	All	BALL BEARING ASSEMBLY - SEALED	251-259	
	7		Cooling Fan Shaft	All	BALL BEARING ASSEMBLY - OUTER SEAL ONLY	251-318		
	12		Front Axle - Outer Bearing	All	ROLLER BEARING ASSEMBLY	21-8180		
	16		2WD Rear Wheel - In/Out	All	ROLLER BEARING ASSEMBLY - TAPERED CONE	254-94		
	17		2WD Rear Wheel - In/Out	All	BEARING RACE - TAPERED CUP	254-72		
	Reelmaster 6500D 6700D		<i>SPA Cutting Units</i>	14	Reel	All	BALL BEARING ASSEMBLY - DUAL ROW	93-2489
7				Roller	All	BALL BEARING ASSEMBLY - OUTER SEAL ONLY	109966	
13		Roller Brush Shaft		All	BALL BEARING - SELF ALIGNING W/COLLAR	132-6979		
4		Roller Brush Drive Shaft		All	BALL BEARING ASSEMBLY - SINGLE ROW	98-5215		
8		Roller Brush Drive Belt Idler		All	BALL BEARING ASSEMBLY - SEALED	251-259		
14		Groomer Reel		All	BALL BEARING ASSEMBLY - SINGLE ROW	95-0707		
8		Dethatcher - Roller		All	BALL BEARING ASSEMBLY - SEALED	251-347		
*		Rear Roller Brush		All	BEARING - REAR ROLLER BRUSH	106-4237		
<i>DPA Cutting Units</i>		14		Reel	All	BALL BEARING ASSEMBLY - DUAL ROW	93-2489	
		7		Front & Rear Roller	2007	BALL BEARING ASSEMBLY - OUTER SEAL ONLY	109966	
		7	Front & Rear Roller	2008 & Up	BALL BEARING ASSEMBLY - OUTER SEAL ONLY	112-5290		
		9	Roller Brush Drive Shaft	All	BALL BEARING ASSEMBLY - OUTER SEAL ONLY	93-2559		
		14	Roller Brush Shaft	All	BALL BEARING ASSEMBLY - SINGLE ROW	95-0707		
		9	Groomer Drive Shaft	All	BALL BEARING ASSEMBLY - OUTER SEAL ONLY	93-2559		
		14	Groomer Reel	All	BALL BEARING ASSEMBLY - SINGLE ROW	95-0707		
		*	Rear Roller Brush	All	BEARING - REAR ROLLER BRUSH	106-4237		
		<i>Traction Unit</i>	16	2WD Rear Wheel - Inner	All	ROLLER BEARING ASSEMBLY - TAPERED CONE	254-106	
			17	2WD Rear Wheel - Inner	All	BEARING RACE - TAPERED CUP	254-107	
			16	2WD Rear Wheel - Outer	All	ROLLER BEARING ASSEMBLY - TAPERED CONE	254-92	
			17	2WD Rear Wheel - Outer	All	BEARING RACE - TAPERED CUP	254-72	

QUICK REFERENCE GUIDE

BEARINGS

Reelmaster[®] - continued

Equipment	Application	Fig. No.	Component	Year	Description	Part No.
Reelmaster 450D	<i>Cutting Unit</i>	15	Reel	All	BALL BEARING ASSEMBLY - DUAL ROW EXT. RACE	59-6140
		2	Reel Adjust	1986-89	THRUST BEARING CAGE ASSEMBLY	257-6
		16	Front & Rear Rollers	All	ROLLER BEARING ASSEMBLY - TAPERED CONE	254-78
		17	Front & Rear Rollers	All	BEARING RACE - TAPERED CUP	254-79
		15	Dethatcher - Reel	All	BALL BEARING ASSEMBLY - DUAL ROW EXT. RACE	59-6140
	<i>Traction Unit</i>	16	2WD Rear Wheel - Inner	1991 & Up	ROLLER BEARING ASSEMBLY - TAPERED CONE	254-106
		17	2WD Rear Wheel - Inner	1991 & Up	BEARING RACE - TAPERED CUP	254-107
		16	2WD Rear Wheel - Outer	1991 & Up	ROLLER BEARING ASSEMBLY - TAPERED CONE	254-92
		17	2WD Rear Wheel - Outer	1991 & Up	BEARING RACE - TAPERED CUP	254-72
	Reelmaster 335D	<i>Cutting Unit</i>	15	Reel	All	BALL BEARING ASSEMBLY - DUAL ROW EXT. RACE
16			Front & Rear Rollers	All	ROLLER BEARING ASSEMBLY - TAPERED CONE	254-78
17			Front & Rear Rollers	All	BEARING RACE - TAPERED CUP	254-79
15			Dethatcher - Reel	All	BALL BEARING ASSEMBLY - DUAL ROW EXT. RACE	59-6140
<i>Traction Unit</i>		8	Neutral Centering Device	All	BALL BEARING ASSEMBLY - SEALED	251-259
		16	2WD Rear Wheel - In/Out	All	ROLLER BEARING ASSEMBLY - TAPERED CONE	254-94
		17	2WD Rear Wheel - In/Out	All	BEARING RACE - TAPERED CUP	254-72
Reelmaster 3500D	<i>Cutting Unit</i>	15	Reel	All	BALL BEARING ASSEMBLY - DUAL ROW EXT. RACE	59-6140
		16	Front & Rear Rollers	All	ROLLER BEARING ASSEMBLY - TAPERED CONE	254-78
		17	Front & Rear Rollers	All	BEARING RACE - TAPERED CUP	254-79
		15	Dethatcher - Reel	All	BALL BEARING ASSEMBLY - DUAL ROW EXT. RACE	59-6140
	<i>Traction Unit</i>	8	Neutral Centering Device	All	BALL BEARING ASSEMBLY - SEALED	251-259
		16	2WD Rear Wheel - Inner	All	ROLLER BEARING ASSEMBLY - TAPERED CONE	254-106
		17	2WD Rear Wheel - Inner	All	BEARING RACE - TAPERED CUP	254-107
		16	2WD Rear Wheel - Outer	All	ROLLER BEARING ASSEMBLY - TAPERED CONE	254-92
		17	2WD Rear Wheel - Outer	All	BEARING RACE - TAPERED CUP	254-72
		8	Neutral Centering Device	All	BALL BEARING ASSEMBLY - SEALED	251-259
Reelmaster 3550D	<i>Cutting Unit</i>	8	Front & Rear Roller	2013	BEARING - SEALED	115-3296
		7	Front & Rear Roller	2013	BEARING - STAINLESS STEEL	112-5290
	<i>Traction Unit</i>	8	Neutral Centering Device	All	BALL BEARING ASSEMBLY - SEALED	251-259
		17	Hydraulic Pump ASM	2013	BEARING - CUP	104-4046
		16	Hydraulic Pump ASM	2013	BEARING - CONE	98-4639
2	Hydraulic Pump ASM	2013	BEARING - THRUST	252-66		
Reelmaster 4000D	<i>Cutting Unit</i>	15	Reel	All	BALL BEARING ASSEMBLY - DUAL ROW EXT. RACE	59-6140
		16	Front & Rear Rollers	All	ROLLER BEARING ASSEMBLY - TAPERED CONE	254-78
Reelmaster 4500D	<i>Cutting Unit</i>	17	Front & Rear Rollers	All	BEARING RACE - TAPERED CUP	254-79
		15	Dethatcher - Reel	All	BALL BEARING ASSEMBLY - DUAL ROW EXT. RACE	59-6140
	<i>Traction Unit</i>	16	2WD Rear Wheel - Inner	All	ROLLER BEARING ASSEMBLY - TAPERED CONE	254-106
		17	2WD Rear Wheel - Inner	All	BEARING RACE - TAPERED CUP	254-107
		16	2WD Rear Wheel - Outer	All	ROLLER BEARING ASSEMBLY - TAPERED CONE	254-92
17	2WD Rear Wheel - Outer	All	BEARING RACE - TAPERED CUP	254-72		
Reelmaster 7000D	<i>Cutting Unit</i>	14	Reel	All	BALL BEARING ASSEMBLY - DUAL ROW	93-2489
		7	Rear Roller	All	BALL BEARING ASSEMBLY - OUTER SEAL ONLY	112-5290
Reelmaster Transport Frame	<i>Traction Unit</i>	16	Wheel	All	ROLLER BEARING ASSEMBLY - TAPERED CONE	254-62
		17	Wheel	All	BEARING RACE - TAPERED CUP	115-9471
	<i>Cutting Unit</i>	16	Reel	All	ROLLER BEARING ASSEMBLY - TAPERED CONE	254-94
		17	Reel	All	BEARING RACE - TAPERED CUP	254-72
		2	Reel Adjustment Knob	All	THRUST BEARING CAGE ASSEMBLY	257-6
		16	Drive Wheel Gear Hub	All	ROLLER BEARING ASSEMBLY - TAPERED CONE	254-78
		17	Drive Wheel Gear Hub	All	BEARING RACE - TAPERED CUP	254-79
		3	Idler Pinion Gear	All	NEEDLE BEARING ASSEMBLY	252-6
		16	Rear Roller	All	ROLLER BEARING ASSEMBLY - TAPERED CONE	254-78
		17	Rear Roller	All	BEARING RACE - TAPERED CUP	254-79

Groundsmaster

Equipment	Application	Fig. No.	Component	Year	DESCRIPTION	Part No.
Groundsmaster 52 62	<i>Traction Unit</i>	8	Neutral Centering Device	All	BALL BEARING ASSEMBLY - SEALED	251-259
		3	Steering Pivot Arm - Front	All	NEEDLE BEARING ASSEMBLY	252-6
		12	Front Axle - Outer Bearing	All	ROLLER BEARING ASSEMBLY	21-8180
Groundsmaster 72	<i>Deck</i>	7	Blade Spindle	1973-77	BALL BEARING ASSEMBLY - OUTER SEAL ONLY	251-257
	<i>Traction Unit</i>	8	Neutral Centering Device	All	BALL BEARING ASSEMBLY - SEALED	251-259
		13	Engine Output Shaft Support	All	BALL BEARING - SELF ALIGNING W/COLLAR	251-252
		13	PTO Shaft Support	All	BALL BEARING - SELF ALIGNING W/COLLAR	251-252
		12	Front Axle - Outer Bearing	All	ROLLER BEARING ASSEMBLY	21-8180

Groundsmaster® - continued

Equipment	Application	Fig. No.	Component	Year	Description	Part No.	
Groundsmaster 200 Series	<i>52"/62" RD/SD</i>	6	Front Caster Wheel	1989 & Up	ROLLER BEARING CAGE ASSEMBLY	62-5570	
		6	Front Caster Wheel	1989 & Up	BEARING - FLANGE	62-5580	
	<i>72" SD Deck</i>	6	Front Caster Wheel	1989 & Up	ROLLER BEARING CAGE ASSEMBLY	62-5570	
		6	Front Caster Wheel	1989 & Up	BEARING - FLANGE	62-5580	
		6	Rear Caster Wheel	1998 & Up	ROLLER BEARING CAGE ASSEMBLY	63-8580	
		6	Rear Caster Wheel	1998 & Up	BEARING - FLANGE	62-5580	
	<i>62" Guardian</i>	6	Front & Rear Caster Wheel	All	ROLLER BEARING CAGE ASSEMBLY	83-4740	
		6	Front & Rear Caster Wheel	All	BEARING - FLANGE	62-5580	
	<i>Debris Blower</i>	6	Caster Wheel	All	ROLLER BEARING CAGE ASSEMBLY	62-5570	
		6	Caster Wheel	All	BEARING - FLANGE	62-5580	
	<i>Traction Unit</i>	8	Neutral Centering Device	All	BALL BEARING ASSEMBLY - SEALED	251-259	
		12	Front Axle - Outer Bearing	All	ROLLER BEARING ASSEMBLY	21-8180	
		16	2WD Rear Wheel - In/Out	All	ROLLER BEARING ASSEMBLY - TAPERED CONE	254-94	
		17	2WD Rear Wheel - In/Out	All	BEARING RACE - TAPERED CUP	254-72	
		8	4WD Rear Axle Knuckle	1993-99	BALL BEARING ASSEMBLY - SEALED	251-347	
	Groundsmaster 300 Series	<i>72" RD/SD</i>	21	Blade Spindle	All	BEARING & SPACER SET	49-8320
			6	Front Caster Wheel	1988-91	ROLLER BEARING CAGE ASSEMBLY	62-5570
6		Front Caster Wheel	1992 & Up	ROLLER BEARING CAGE ASSEMBLY	83-4740		
6		Front Caster Wheel	1988 & Up	BEARING - FLANGE	62-5580		
6		Rear Caster Wheel	1988 & Up	ROLLER BEARING CAGE ASSEMBLY	63-8580		
6		Rear Caster Wheel	1988 & Up	BEARING - FLANGE	62-5580		
10		Foam Filled Caster Wheel	All	BALL BEARING ASSEMBLY - SEALED	120-5378		
11		10" Segmented Caster Wheel	All	BALL BEARING ASSEMBLY - FLANGED	251-321		
Groundsmaster 300 Series	<i>72" Guardian</i>	21	Blade Spindle	All	BEARING & SPACER SET	71-2530	
		6	Front & Rear Caster Wheel	All	ROLLER BEARING CAGE ASSEMBLY	83-4740	
		6	Front & Rear Caster Wheel	All	BEARING - FLANGE	62-5580	
		10	Foam Filler Caster Wheel	All	BALL BEARING ASSEMBLY - SEALED	120-5378	
	11	10" Segmented Caster Wheel	All	BALL BEARING ASSEMBLY - FLANGED	251-321		
	<i>72" Flex</i>	21	Blade Spindle	All	BEARING & SPACER SET	71-2530	
		6	Caster Wheel	All	ROLLER BEARING CAGE ASSEMBLY	62-5570	
		6	Caster Wheel	All	BEARING - FLANGE	62-5580	
		10	Foam Filler Caster Wheel	All	BALL BEARING ASSEMBLY - SEALED	120-5378	
		11	10" Segmented Caster Wheel	All	BALL BEARING ASSEMBLY - FLANGED	251-321	
	<i>88" TriFlex</i>	6	Front Caster Wheel	1988-90	ROLLER BEARING CAGE ASSEMBLY	62-5570	
6		Front Caster Wheel	1991-94	ROLLER BEARING CAGE ASSEMBLY	83-4740		
6		Front Caster Wheel	All	BEARING - FLANGE	62-5580		
6		Rear Caster Wheel	All	ROLLER BEARING CAGE ASSEMBLY	63-8580		
6		Rear Caster Wheel	All	BEARING - FLANGE	62-5580		
10		Foam Filler Caster Wheel	All	BALL BEARING ASSEMBLY - SEALED	120-5378		
11		10" Segmented Caster Wheel	All	BALL BEARING ASSEMBLY - FLANGED	251-321		
<i>Debris Blower</i>		6	Caster Wheel	All	ROLLER BEARING CAGE ASSEMBLY	83-4740	
	6	Caster Wheel	All	BEARING - FLANGE	62-5580		
	<i>Traction Unit</i>	13	Engine Output Shaft Support	All	BALL BEARING - SELF ALIGNING W/COLLAR	251-252	
		13	PTO Shaft Support	All	BALL BEARING - SELF ALIGNING W/COLLAR	251-252	
		8	Neutral Centering Device	All	BALL BEARING ASSEMBLY - SEALED	251-259	
		12	Front Axle - Outer Bearing	All	ROLLER BEARING ASSEMBLY	21-8180	
		16	2WD Rear Wheel - In/Out	All	ROLLER BEARING ASSEMBLY - TAPERED CONE	254-94	
		17	2WD Rear Wheel - In/Out	All	BEARING RACE - TAPERED CUP	254-72	
		8	4WD Rear Axle Knuckle	1991-98	BALL BEARING ASSEMBLY - SEALED	251-347	
	Groundsmaster 360	<i>Traction Unit</i>	17	2WD Wheel Motor & Spindle Assembly	All	BEARING RACE - TAPERED CUP	254-72
			16	2WD Wheel Motor & Spindle Assembly	All	ROLLER BEARING ASSEMBLY - TAPERED CONE	254-92
Groundsmaster 455D	<i>126" Quadfloat</i>	21	Blade Spindle	All	BEARING & SPACER SET	71-2530	
		10	Caster Wheels	1996-03	BALL BEARING ASSEMBLY - SEALED	120-5378	
		11	Segmented Caster Wheels	1992-00	BALL BEARING ASSEMBLY - FLANGED	251-321	
	<i>Traction Unit</i>	8	Neutral Centering Device	All	BALL BEARING ASSEMBLY - SEALED	251-259	
		16	2WD Rear Wheel - Inner	1992-93	ROLLER BEARING ASSEMBLY - TAPERED CONE	254-92	
		17	2WD Rear Wheel - Inner	1992-93	BEARING RACE - TAPERED CUP	254-72	
		16	2WD Rear Wheel - Inner	1994 & Up	ROLLER BEARING ASSEMBLY - TAPERED CONE	254-106	
		17	2WD Rear Wheel - Inner	1994 & Up	BEARING RACE - TAPERED CUP	254-107	
16	2WD Rear Wheel - Outer	All	ROLLER BEARING ASSEMBLY - TAPERED CONE	254-92			
17	2WD Rear Wheel - Outer	All	BEARING RACE - TAPERED CUP	254-72			

*Not illustrated. **Not sold separately. See pages 20-33 for kit contents. Prices subject to change without notice. Please see your Parts Catalog or Master Parts Viewer to ensure the correct part is ordered, as the part you need may not be listed above. toro.com/parts

QUICK REFERENCE GUIDE

BEARINGS

Groundsmaster® - continued

Equipment	Application	Fig. No.	Component	Year	Description	Part No.	
Groundsmaster 580D	<i>Center/Wing Decks</i>	21	Blade Spindle	All	BEARING & SPACER SET	71-2530	
		11	Caster Wheels	1989-95	BALL BEARING ASSEMBLY - FLANGED	251-321	
		11	Caster Wheels	1995 & Up	BALL BEARING ASSEMBLY - SEALED	120-5378	
	<i>Traction Unit</i>	8	Neutral Centering Device	All	BALL BEARING ASSEMBLY - SEALED	251-259	
		5	Hydraulic Pump Drive Shaft	1995 & Up	CROSS & BEARING ASSEMBLY	92-4187	
		16	2WD Rear Wheel - Inner	All	ROLLER BEARING ASSEMBLY - TAPERED CONE	254-106	
		17	2WD Rear Wheel - Inner	All	BEARING RACE - TAPERED CUP	254-107	
		16	2WD Rear Wheel - Outer	All	ROLLER BEARING ASSEMBLY - TAPERED CONE	254-92	
		17	2WD Rear Wheel - Outer	All	BEARING RACE - TAPERED CUP	254-72	
	Groundsmaster 3000 3000D	<i>72" Decks</i>	21	Blade Spindle	All	BEARING & SPACER SET	71-2530
10			Front Caster Wheel	All	BALL BEARING ASSEMBLY - SEALED	120-5378	
<i>Debris Blower</i>		6	Caster Wheel	All	ROLLER BEARING CAGE ASSEMBLY	83-4740	
		6	Caster Wheel	All	BEARING - FLANGE	62-5580	
<i>Rotary Broom</i>		10	Front Caster Wheel	All	BALL BEARING ASSEMBLY - SEALED	120-5378	
<i>Traction Unit</i>		16	2WD Rear Wheel - In/Out	1996-98	ROLLER BEARING ASSEMBLY - TAPERED CONE	254-94	
		16	2WD Rear Wheel - In/Out	1999-00	ROLLER BEARING ASSEMBLY - TAPERED CONE	254-92	
		17	2WD Rear Wheel - In/Out	All	BEARING RACE - TAPERED CUP	254-72	
Groundsmaster 3280D 3320		<i>52" SD Deck</i>	6	Front Caster Wheel	All	ROLLER BEARING CAGE ASSEMBLY	62-5570
			6	Front Caster Wheel	All	BEARING - FLANGE	62-5580
	<i>60"/62"/72"</i>	10	Front Caster Wheel	All	BALL BEARING ASSEMBLY - SEALED	120-5378	
		<i>Traction Unit</i>	8	Neutral Centering Device	All	BALL BEARING ASSEMBLY - SEALED	251-259
	12		Front Axle - Outer Bearing	All	ROLLER BEARING ASSEMBLY	21-8180	
	16		2WD Rear Wheel - In/Out	All	ROLLER BEARING ASSEMBLY - TAPERED CONE	254-94	
	17	2WD Rear Wheel - In/Out	All	BEARING RACE - TAPERED CUP	254-72		
Groundsmaster 4000D 4100D	<i>132"/124 RD</i>	10	Front Caster Wheel	All	BALL BEARING ASSEMBLY - SEALED	120-5378	
		*	Impact Arm	2010 & Up	BEARING - PLASTIC	105-4552	
	<i>Debris Blower</i>	10	Front Caster Wheel	All	BALL BEARING ASSEMBLY - SEALED	120-5378	
	<i>Rotary Broom</i>	10	Front Caster Wheel	All	BALL BEARING ASSEMBLY - SEALED	120-5378	
	Groundsmaster 3500D 3505D	<i>27" RD Deck</i>	10	Front Rollers	All	BALL BEARING ASSEMBLY - SEALED	120-3366
8			Rear Roller	2000-03	BALL BEARING ASSEMBLY - SEALED	251-347	
7			Rear Roller	2004-06	BALL BEARING ASSEMBLY - OUTER SEAL ONLY	109966	
7			Rear Roller	2007 & Up	BALL BEARING ASSEMBLY - OUTER SEAL ONLY	112-5290	
<i>Traction Unit</i>		8	Neutral Centering Device	All	BALL BEARING ASSEMBLY - SEALED	251-259	
		16	2WD Rear Wheel - In/Out	All	ROLLER BEARING ASSEMBLY - TAPERED CONE	254-94	
		17	2WD Rear Wheel - In/Out	All	BEARING RACE - TAPERED CUP	254-72	
		Groundsmaster 4500D 4700D	<i>27" RD Deck</i>	10	Front Rollers	All	BALL BEARING ASSEMBLY - SEALED
8	Rear Roller			2000-03	BALL BEARING ASSEMBLY - SEALED	251-347	
7	Rear Roller			2004-06	BALL BEARING ASSEMBLY - OUTER SEAL ONLY	109966	
7	Rear Roller			2007 & Up	BALL BEARING ASSEMBLY - OUTER SEAL ONLY	112-5290	
Groundsmaster 5900 5910	<i>Traction Unit</i>	*	Piston Pump Assembly	2013 & Up	BEARING - ROLLER	125-5279	
		*	Center Front Deck	All	BEARING - SPHERICAL	105-7441	
		*	Double Driven Spindle	All	BEARING ASSEMBLY	110-8297	
		*	High Driven Spindle	All	BEARING ASSEMBLY	110-8297	
		*	Driving Spindle	All	BEARING ASSEMBLY	110-8297	
		*	Driving Spindle Assembly	2016 & Up	BEARING SPACER SET	108-1954	
		*	10" Wheel Assembly	2011 & Up	BEARING - 10" WHEEL	120-3366	
		*	LH Deck Connection	2008 & Up	CROSS & BEARING KIT	104-4299	
		*	Traction Pedal	All	BEARING - MOUNT, FLANGE	256-236	
Groundsmaster 7200 7210	<i>62"/72" Deck</i>	16	Front Caster Wheel Fork	All	ROLLER BEARING ASSEMBLY - TAPERED CONE	254-106	
		17	Front Caster Wheel Fork	All	BEARING RACE - TAPERED CUP	254-107	

Aerator

Equipment	Application	Fig. No.	Component	Year	Description	Part No.
ProCore 440	<i>Aerator</i>	8	Flywheel Shaft	All	BALL BEARING ASSEMBLY - SEALED	100-5396
		8	Stomper Arm	All	BALL BEARING ASSEMBLY - SEALED	100-7599
		10	Bottom Link Arm	All	BALL BEARING ASSEMBLY - SEALED	100-7621
ProCore 660 880	<i>Aerator</i>	8	Flywheel Shaft	All	BALL BEARING ASSEMBLY - SEALED	100-5396
		8	Stomper Arm	All	BALL BEARING ASSEMBLY - SEALED	100-5386
		10	Bottom Link Arm	All	BALL BEARING ASSEMBLY - SEALED	100-7621

Aerator - continued

Equipment	Application	Fig. No.	Component	Year	Description	Part No.
ProCore 648	<i>Aerator</i>	8	Neutral Centering Device	All	BALL BEARING ASSEMBLY - SEALED	251-259
		8	Crank Arm	All	BALL BEARING ASSEMBLY - SEALED	105-0965
		8	Stomper Arm	All	BALL BEARING ASSEMBLY - SEALED	106-8871
ProCore 864 1298	<i>Aerator</i>	8	Crank Arm Housing	All	BALL BEARING ASSEMBLY - SEALED	110-4555
		8	Stomper Arm	All	BALL BEARING ASSEMBLY - SEALED	110-4556
		5	Drive Shaft (Shielded)	All	CROSS & BEARING ASSEMBLY	110-4635
		5	Drive Shaft	All	CROSS & BEARING ASSEMBLY	110-4641
		8	Drive Pulley Support	All	BALL BEARING ASSEMBLY - SEALED	106-8871
ProCore Processor	<i>Aerator</i>	16	Wheel - Inner	All	ROLLER BEARING ASSEMBLY - TAPERED CONE	254-106
		17	Wheel - Inner	All	BEARING RACE - TAPERED CUP	254-107
		16	Wheel - Outer	All	ROLLER BEARING ASSEMBLY - TAPERED CONE	254-92
		17	Wheel - Outer	All	BEARING RACE - TAPERED CUP	254-72
Hydroject 3000 3010	<i>Aerator</i>	8	Neutral Centering Device	All	BALL BEARING ASSEMBLY - SEALED	251-259
		16	Rear Wheel - In/Out	All	ROLLER BEARING ASSEMBLY - TAPERED CONE	254-94
		17	Rear Wheel - In/Out	All	BEARING RACE - TAPERED CUP	254-72
Hydroject Hitch Kit	<i>Aerator</i>	11	Caster Wheel	All	BALL BEARING ASSEMBLY - FLANGED	251-321

Workman®

Equipment	Application	Fig. No.	Component	Year	DESCRIPTION	Part No.
Workman 1110 2110	<i>Vehicle</i>	8	Steering Gearbox	All	BALL BEARING ASSEMBLY - SEALED	251-82
		8	Steering Gearbox	All	BALL BEARING ASSEMBLY - SEALED	38-7820
		8	Shift Lever Detent	All	BALL BEARING ASSEMBLY - SEALED	251-259
		16	2WD Front Wheel - Inner	All	ROLLER BEARING ASSEMBLY - TAPERED CONE	254-106
		17	2WD Front Wheel - Inner	All	BEARING RACE - TAPERED CUP	254-107
		16	2WD Front Wheel - Outer	All	ROLLER BEARING ASSEMBLY - TAPERED CONE	254-94
		17	2WD Front Wheel - Outer	All	BEARING RACE - TAPERED CUP	254-72
Workman 1300D	<i>Vehicle</i>	5	Rear Axle Shafts	All	CROSS & BEARING ASSEMBLY	92-4187
		19	Rear Axle Housings	All	BEARING & RETAINER SET	87-1970
Workman 3100	<i>Vehicle</i>	5	Rear Axle Shafts	All	CROSS & BEARING ASSEMBLY	92-4187
		19	Rear Axle Housings	All	BEARING & RETAINER SET	87-1970
		16	2WD Front Wheel - Inner	All	ROLLER BEARING ASSEMBLY - TAPERED CONE	254-106
		17	2WD Front Wheel - Inner	All	BEARING RACE - TAPERED CUP	254-107
		16	2WD Front Wheel - Outer	All	ROLLER BEARING ASSEMBLY - TAPERED CONE	254-94
		17	2WD Front Wheel - Outer	All	BEARING RACE - TAPERED CUP	254-72
		20	Clutch Release	2006 & Up	THRUST BEARING W/BRACKETS	110-2538
		4	Transaxle Main Shaft	All	BALL BEARING ASSEMBLY - SINGLE ROW	251-8
27	Gearshaft Assembly	All	BEARING - BALL	251-346		
Workman Series 3200 3300 3400	<i>Vehicle</i>	8	Hydraulic Pump Drive Shaft	All	BALL BEARING ASSEMBLY - SEALED	251-82
		5	Rear Axle Shafts	All	CROSS & BEARING ASSEMBLY	92-4187
		19	Rear Axle Housings	All	BEARING & RETAINER SET	87-1970
		16	2WD Front Wheel - Inner	All	ROLLER BEARING ASSEMBLY - TAPERED CONE	254-106
		17	2WD Front Wheel - Inner	All	BEARING RACE - TAPERED CUP	254-107
		16	2WD Front Wheel - Outer	All	ROLLER BEARING ASSEMBLY - TAPERED CONE	254-94
		17	2WD Front Wheel - Outer	All	BEARING RACE - TAPERED CUP	254-72
		20	Clutch Release	2006 & Up	THRUST BEARING W/BRACKETS	110-2538
		4	Transaxle Main Shaft	All	BALL BEARING ASSEMBLY - SINGLE ROW	251-8
27	Gearshaft Assembly	All	BEARING - BALL	251-346		
Workman Series 4200 4300	<i>Vehicle</i>	8	Hydraulic Pump Drive Shaft	All	BALL BEARING ASSEMBLY - SEALED	251-82
		5	Rear Axle Shafts	All	CROSS & BEARING ASSEMBLY	92-4187
		19	Rear Axle Housings	All	BEARING & RETAINER SET	87-1970
		20	Clutch Release	2006 & Up	THRUST BEARING W/BRACKETS	110-2538
		4	Transaxle Main Shaft	All	BALL BEARING ASSEMBLY - SINGLE ROW	251-8
27	Gearshaft Assembly	All	BEARING - BALL	251-346		
Workman MDE	<i>Vehicle</i>	8	Steering Gearbox	All	BALL BEARING ASSEMBLY - SEALED	251-82
		8	Steering Gearbox	All	BALL BEARING ASSEMBLY - SEALED	38-7820
		16	2WD Front Wheel - Inner	All	ROLLER BEARING ASSEMBLY - TAPERED CONE	254-106
		17	2WD Front Wheel - Inner	All	BEARING RACE - TAPERED CUP	254-107
		16	2WD Front Wheel - Outer	All	ROLLER BEARING ASSEMBLY - TAPERED CONE	254-94
		17	2WD Front Wheel - Outer	All	BEARING RACE - TAPERED CUP	254-72

QUICK REFERENCE GUIDE

BEARINGS

Workman® - continued

Equipment	Application	Fig. No.	Component	Year	DESCRIPTION	Part No.
Workman MD MDX	<i>Vehicle</i>	8	Steering Gearbox	All	BALL BEARING ASSEMBLY - SEALED	251-82
		8	Steering Gearbox	All	BALL BEARING ASSEMBLY - SEALED	38-7820
		8	Shift Lever Detent	All	BALL BEARING ASSEMBLY - SEALED	251-259
		16	2WD Front Wheel - Inner	All	ROLLER BEARING ASSEMBLY - TAPERED CONE	254-106
		17	2WD Front Wheel - Inner	All	BEARING RACE - TAPERED CUP	254-107
		16	2WD Front Wheel - Outer	All	ROLLER BEARING ASSEMBLY - TAPERED CONE	254-94
		17	2WD Front Wheel - Outer	All	BEARING RACE - TAPERED CUP	254-72
Workman HD HDX HDX-D HDX Auto	<i>Vehicle</i>	5	Rear Axle Shafts	All	CROSS & BEARING ASSEMBLY	92-4187
		20	Clutch Release	All	THRUST BEARING W/BRACKETS	110-2538
		4	Transaxle Main Shaft	All	BALL BEARING ASSEMBLY - SINGLE ROW	251-8
		27	Gearshaft Assembly	All	BEARING - BALL	251-346
Workman GTX	<i>Vehicle</i>	16	Front Frame & Suspension	All	BEARING - CONE, TAPERED	254-94
		17	Front Frame & Suspension	All	BEARING - CUP, TAPERED	254-72
		8	Pedal and Control	All	BEARING - BALL	251-259

Multi Pro®

Equipment	Application	Fig. No.	Component	Year	Description	Part No.
Multi Pro 1100	<i>Traction Unit</i>	8	Transmission Input Shaft	All	BALL BEARING ASSEMBLY - SEALED	251-82
		12	Rear Axle - Inner/Outer	All	ROLLER BEARING ASSEMBLY	21-8180
		16	Front Wheel - In/Out	All	ROLLER BEARING ASSEMBLY - TAPERED CONE	254-94
		17	Front Wheel - In/Out	All	BEARING RACE - TAPERED CUP	254-72
Multi Pro 1200 1250 1750	<i>Traction Unit</i>	16	Gearbox Output Shaft	All	ROLLER BEARING ASSEMBLY - TAPERED CONE	254-94
		17	Gearbox Output Shaft	All	BEARING RACE - TAPERED CUP	254-72
		19	Rear Axle Housings	All	BEARING & RETAINER SET	87-1970
		5	Rear Axle Shafts	All	CROSS & BEARING ASSEMBLY	92-4187
		16	2WD Front Wheel - In/Out	All	ROLLER BEARING ASSEMBLY - TAPERED CONE	254-92
		17	2WD Front Wheel - In/Out	All	BEARING RACE - TAPERED CUP	254-72
		27	Gearshaft Assembly	All	BEARING - BALL	251-346
Multi Pro 5800D	<i>Traction Unit</i>	8	Front Wheel	All	BEARING - SPINDLE ASSEMBLY	93-6587
		17	Front Wheel	All	BEARING - SPINDLE ASSEMBLY CUP	115-9471
		16	Front Wheel	All	BEARING - SPINDLE ASSEMBLY CONE	254-62

Specialty Turf Equipment

Equipment	Application	Fig. No.	Component	Year	Description	Part No.
Rac-0-Vac Sweeper		16	Wheel Hub ASM	2013	ROLLER-BEARING, CONE	254-62
		16	Wheel Hub ASM	2013	ROLLER-BEARING, CONE	254-65
		17	Wheel Hub ASM	2013	ROLLER-BEARING, CUP	254-66
		17	Wheel Hub ASM	2013	ROLLER-BEARING, CUP	115-9471
		NA	Blower Fan	2013	BALL BEARING	56-6220
		NA	Rake ASM	2013	ROLLER	56-6230
		8	Clutch ASM	2013	BEARING- CLUTCH ASM	107-1054
		ProStripe 560		8	Lower ASM	All
8	Lower ASM			All	ROLLER BEARING	111-1492
ProCore Core Processor	<i>Aerator</i>	16	Wheel - Inner	All	ROLLER BEARING ASSEMBLY - TAPERED CONE	254-106
		17	Wheel - Inner	All	BEARING RACE - TAPERED CUP	254-107
		16	Wheel - Outer	All	ROLLER BEARING ASSEMBLY - TAPERED CONE	254-92
		17	Wheel - Outer	All	BEARING RACE - TAPERED CUP	254-72

Greensmaster® - Riders

Equipment	Description	Application	Part No.
Greensmaster 500	V-BELT	Transmission/Clutch	95-1811
Greensmaster 800	BELT	Reel Drive	65-6200
	BELT	Transport Wheel Drive	65-6210
	BELT	Drum Drive	65-9080
	BELT	Groomer Drive	65-9700
	V-BELT (SET OF 2)	Countershaft Drive	92-9218
Greensmaster 1000	BELT	Reel Drive	65-6200
	BELT	Transport Wheel Drive	65-6210
	BELT	Drum Drive	65-9080
	BELT	Groomer Drive	65-9700
	V-BELT (SET OF 2)	Countershaft Drive (1990-95 - 04050 & 04051)	65-7270
	V-BELT (SET OF 2)	Countershaft Drive (1995 & Up - 04052)	92-9218
Greensmaster 1600 2600	BELT	Reel Drive	65-6200
	BELT	Transport Wheel Drive	65-6210
	BELT	Drum Drive	65-9080
	BELT	Groomer Drive	65-9700
	V-BELT (SET OF 2)	Countershaft Drive	92-9218
Greensmaster Flex 18 1800 1820	BELT	Reel Drive	99-2022
	BELT	Drum Drive	117-1353
	BELT	Groomer Drive	120-2763
	BELT	Reel Drive	115-6743
	BELT	Drum Drive	115-6744
Greensmaster Flex 21 2100 2120	BELT	Reel Drive	99-2022
	BELT	Drum Drive (2001-2005)	99-2023
	BELT	Drum Drive (2006 & Up)	117-1353
	BELT	Groomer Drive	120-2763
	BELT	Reel Drive	115-6743
	BELT	Drum Drive	115-6744
Greensmaster 3000D	V-BELT	Alternator/Water Pump Drive (1989-1996)	67-4410
Greensmaster Cutting Units	MULTI-ROW V-BELT	Groomer Drive (3050 & 3200 Style Cutting Units)	95-0728
	BELT	Groomer Drive (3/300/3000 Style Cutting Units)	65-9700
	BELT	Groomer Drive (DPA Cutting Units)	120-2763
	V-BELT	Right Hand Roller Brush Assembly	105-5720
Greensmaster 3300 3320 3400 3420	V-BELT	Alternator/Engine ASM	119-4486
	V-BELT	Generator and Engine Frame ASM	117-4464

Reelmaster®

Equipment	Description	Application	Part No.
Reelmaster 216	V-BELT	Reel Drive	61-3380
	BELT	Jackshaft Drive	61-3390
	MULTI-ROW V-BELT	Pump Drive	61-3400
Reelmaster 216D	V-BELT	Cooling Fan Drive	83-9020
	MULTI-ROW V-BELT	Jackshaft Drive	92-3187
Reelmaster 2000D 2300D 2600D	MULTI-ROW V-BELT	Pump Drive	93-6840
Reelmaster 3100D	MULTI-ROW V-BELT	Pump Drive	95-8730
	V-BELT	Alternator Drive	130-1241
Reelmaster 335D 3500D/3550D 3555D 3575D	BELT	Reel Drive	47-7160
	BELT	Dethatcher Reel Drive	47-7160
	BELT	Timing Belt	74-8830
	BELT	V-Belt Alternator and pulley system	104-3494
	BELT	3V-Belt Piston Pump and Gear Asm	99-3619
Reelmaster 450D	BELT	Reel Drive	47-7160
	BELT	Dethatcher Reel Drive	47-7160
	BELT	Fan Belt	62-6390

QUICK REFERENCE GUIDE

BELTS

Reelmaster[®] - continued

Equipment	Description	Application	Part No.
Reelmaster 4000D	BELT	Reel Drive	47-7160
	BELT	Dethatcher Reel Drive	47-7160
	V-BELT	Alternator Drive	98-7705
Reelmaster 4500D	BELT	Reel Drive	47-7160
	BELT	Dethatcher Reel Drive	47-7160
Reelmaster 223D 5100D 5300D	V-BELT	Alternator/Water Pump Drive	67-4410
Reelmaster 5200D 5400D	V-BELT	Alternator Drive	98-9676
	BELT	Rear Roller Brush Drive	108-6709
Reelmaster 5500D	V-BELT	Cooling Fan Drive	98-3921
	V-BELT	Alternator Drive	98-9676
	BELT	Rear Roller Brush Drive	108-6713
	BELT	Groomer Drive	108-0617
Reelmaster 5210 5410	V-BELT	Alternator Drive	98-9676
	BELT	Rear Roller Brush Drive	110-1746
	BELT	Groomer Drive	108-4497
Reelmaster 5510 5610	V-BELT	Alternator Drive	98-9676
	BELT	Rear Roller Brush Drive	110-1747
	BELT	Groomer Drive	110-1716
Reelmaster 6500D 6700D	MULTI-ROW V-BELT	Alternator Drive - Peugeot	94-3256
	V-BELT	Alternator Drive - Kubota	98-9676
	BELT	Rear Roller Brush Drive	108-6713
	BELT	Timing Belt (1995-2001 serial up to 210999999)	74-8830
	BELT	Rear Roller Brush Drive (SPA Cutting Units)	108-6713
	BELT	Groomer Drive (SPA Cutting Units)	108-0617
	BELT	Rear Roller Brush Drive (DPA Cutting Units)	110-1747
BELT	Groomer Drive (DPA Cutting Units)	110-1716	
Reelmaster 7000D	BELT	Alternator/Pulley ASM	120-5824

Groundsmaster[®]

Equipment	Description	Application	Part No.
Groundsmaster 52	V-BELT	PTO Drive (2 Reqd.)	41-9150
Groundsmaster 62	MULTI-ROW V-BELT	PTO Drive	44-8990
Groundsmaster 217D	MULTI-ROW V-BELT	PTO Drive	44-8990
Groundsmaster 220	MULTI-ROW V-BELT	PTO Drive	44-8990
Groundsmaster Series Decks 52 62 200	V-BELT	52" RD & SD Deck - Spindle Drive	27-1160
	V-BELT	62" RD & SD Deck - Spindle Drive	44-6260
	V-BELT	62" Guardian - Spindle Drive	92-5588
	V-BELT	72" SD Deck - Spindle Drive	57-0240
Groundsmaster 223D	V-BELT	PTO Drive	63-6240
	V-BELT	Alternator/Water Pump Drive (1992-1997)	67-4410
Groundsmaster 224	V-BELT	PTO Drive	63-6240
	V-BELT	Alternator/Water Pump Drive	67-4410
Groundsmaster 225	V-BELT	PTO Drive	63-6240
	V-BELT	Alternator/Water Pump Drive (1999-2004)	99-9156
Groundsmaster 228D	V-BELT	PTO Drive	63-6240
	V-BELT	Alternator/Water Pump Drive	104-3494
Groundsmaster 322D 325D	MULTI-ROW V-BELT	PTO Drive	106-4383
	V-BELT	Alternator Drive	42-9100
	BELT	Fan Belt	43-5910
Groundsmaster 327	MULTI-ROW V-BELT	PTO Drive	106-4383
Groundsmaster 328D	V-BELT	Alternator Drive	98-9676
	MULTI-ROW V-BELT	PTO Drive	106-4383
	BELT	Fan Belt	105-3693

Groundsmaster® - continued

Equipment	Description	Application	Part No.
Groundsmaster 345	MULTI-ROW V-BELT	PTO Drive	106-4383
	V-BELT	Fan Belt	67-8510
Groundsmaster 300 Series Decks	V-BELT	Alternator Drive (1994-2004)	92-9785
	V-BELT	72" RD & SD Deck - Spindle Drive (3 Req'd.)	21-0890
	HEX-BELT	72" Guardian Deck - Spindle Drive	93-8457
	V-BELT	88" Triflex Center Deck - Spindle Drive	63-1510
	V-BELT	88" Triflex Wing Decks - Spindle Drive	72-3760
	V-BELT	72" Flex Deck Center Deck - Spindle Drive	99-9770
Groundsmaster 3000 3000D	V-BELT	72" Flex Deck Wing Deck - Spindle Drive	99-9771
	HEX-BELT	72" SD & RD & Guardian - Spindle Drive	93-8457
	V-BELT	84" RD & Guardian - Wing Deck Drive	93-4839
Groundsmaster 3280D	HEX-BELT	84" RD & Guardian - Center Deck Drive	93-4838
	MULTI-ROW V-BELT	PTO Drive	63-6240
Groundsmaster 3320	V-BELT	Alternator/Water Pump Drive	104-3494
	MULTI-ROW V-BELT	PTO Drive	63-6240
Groundsmaster 360	V-BELT	Alternator/Water Pump Drive	99-9156
	V-BELT	Engine Component Assembly	115-0123
	V-BELT	Air Conditioning Assembly	117-3399
	V-BELT	72" Guardian Deck - Right Spindle Drive	110-9592
	V-BELT	72" Guardian Deck - Left Spindle Drive	110-9593
	V-BELT	72" SD Deck - Left Spindle Drive	110-9591
Groundsmaster 3500D 3505D	V-BELT	72" SD Deck - Right Spindle Drive	110-9590
	V-BELT	Alternator Drive	98-9676
Groundsmaster 4000D	MULTI-ROW V-BELT	Hydrostat Drive	99-3619
	V-BELT	Spindle Drive	55-7660
Groundsmaster 4100D	V-BELT	Alternator Drive	98-7705
	V-BELT	Alternator Drive	98-7705
Groundsmaster 4300D	V-BELT	Fan / Alternator	98-9676
Groundsmaster 4500D / 4700D	V-BELT	Alternator Drive	98-7705
Groundsmaster 455D	MULTI-ROW V-BELT	Alternator Drive	94-3256
	V-BELT	Wing Decks - Spindle Drive (1992-00 #20000200)	86-1960
	V-BELT	Wing Decks - Spindle Drive (2000 #20000201-03)	100-2588
	V-BELT	126" Quadfloat Center Deck - Spindle Drive	86-1970
	BELT	Timing Belt	74-8830
Groundsmaster 580D	HEX-BELT	Center Deck - Spindle Drive	93-8457
	V-BELT	Wing Deck - Spindle Drive	99-2318
Groundsmaster 5900 / 5910	V-BELT	Center Deck - Spindle Drive	112-7376
	V-BELT	Center & Wing Deck - Spindle Drive	112-7377
Groundsmaster 7200 7210	V-BELT	Alternator Drive	98-9676
	V-BELT	62" Guardian Deck - Left Spindle Drive	110-9595
	V-BELT	62" Guardian Deck - Right Spindle Drive	110-9594
	V-BELT	72" Guardian Deck - Left Spindle Drive	110-9593
	V-BELT	72" Guardian Deck - Right Spindle Drive	110-9592
	V-BELT	72" SD Deck - Left Spindle Drive	110-9591
	BELT DRIVE	60" SD Deck - Spindle Drive	105-0887
	V-BELT	60" SD Deck - Spindle Drive	67-6920

Aerator

Equipment	Description	Application	Part No.
ProCore 440	V-BELT	72" SD Deck - Right Spindle Drive	110-9590
	MULTI-ROW V-BELT	Stomper Arm Drive	100-7644
ProCore 660 880	MULTI-ROW V-BELT	Tine Drive	100-5392
	MULTI-ROW V-BELT	Stomper Arm Drive	100-5392
ProCore 648	MULTI-ROW V-BELT	Primary Drive Belt	105-0989
	MULTI-ROW BELT	Secondary Drive Belt	105-0991
ProCore 864 1298	MULTI-ROW BELT	Secondary Drive Belt	110-4327

QUICK REFERENCE GUIDE

BELTS

Workman

Equipment	Description	Application	Part No.
Workman 1100	MULTI-ROW BELT	Transmission Drive	99-7143
Workman 1300D	V-BELT	Hydraulic Pump Drive	93-7140
	V-BELT	Alternator/Water Pump Drive	98-2947
Workman 2100 2110	V-BELT	Starter	99-7133
	V-BELT	CVT Transmission Drive	99-7144
Workman 3100 3120	V-BELT	Hydraulic Pump Drive	87-8370
Workman 3200 4200	V-BELT	Governor Drive (1993-2001)	87-3200
	V-BELT	Hydraulic Pump Drive (1993-2001)	87-3210
	V-BELT	Hydraulic Pump Drive (2002 & Up)	93-7140
	V-BELT	Alternator/Water Pump Drive (1993-2001)	92-2041
	V-BELT	Alternator/Water Pump Drive (2002 & Up)	99-9156
Workman 210 3220 3420	V-BELT	Governor Drive	87-3200
	V-BELT	Alternator/Water Pump Drive	92-2041
Workman 3300D 4300D	V-BELT	Hydraulic Pump Drive (1993-1997)	87-3210
	V-BELT	Hydraulic Pump Drive (1998 & Up)	93-7140
	V-BELT	Alternator/Water Pump Drive (1993-1997)	67-4410
	V-BELT	Alternator/Water Pump Drive (1998-2001)	98-2947
	V-BELT	Alternator/Water Pump Drive (2002 & Up)	99-9156
Workman 3310D 3320D	V-BELT	Hydraulic Pump Drive	93-7140
	V-BELT	Alternator/Water Pump Drive	98-2947
Workman MD	V-BELT	Starter	112-3131
	MULTI-ROW BELT	Transmission Drive	99-7143
Workman MDX	V-BELT	Starter	112-2911
	MULTI-ROW BELT	Transmission Drive	112-2912
	V-BELT	Engine, Clutch/Air Cleaner	136-6296
Workman MDX-D	V-BELT	Starter	112-2511
Workman HD	V-BELT	Hydraulic Pump Drive	87-8370
Workman HDX/HDX-D	V-BELT	Alternator/Water Pump Drive (2009-2013)	117-4922
	V-BELT	Alternator/Water Pump Drive (2013 & Up)	110-3796
HDX Auto	BELT-CVT	Belt-Gearbox Assembly	121-9612

Multi Pro[®]

Equipment	Description	Application	Part No.
1100	BELT	Traction Drive	41679
1200	BELT	Engine and Gearbox Assembly	117-5896
1250	BELT	Engine and Gearbox Assembly	117-5896
1750	BELT - SYNCHRONOUS	Engine Mount	125-0765
5700	V-BELT	Alternator Drive	98-9676
5800	V-BELT	Alternator Drive	98-9676

Specialty Turf Equipment

Equipment	Description	Application	Part No.
ProCore Core Processor	V-BELT	Engine Drive (Set of 3)	110-2772
	V-BELT	Chopper Drive	115-8957
	BELT	Brush Drive	112-4254
	V-BELT	Corner Shaft	115-2951
Rac-O-Vac Sweeper	V-BELT	Engine & Clutch / Muffler Assembly	13-2650
	V-BELT	Impeller / Engine, Clutch & Muffler Assembly	93-0183
	V-BELT	Guard Assembly	93-4034
ProStripe 560	BELT	BELT-VARIATOR (520)	411024

QUICK REFERENCE GUIDE

BLADES

Blades Reference Chart - Groundsmaster®											
GM Unit	Cutting Deck	Deck Model	Blade Length	Combo	Angle Sail	Medium Flow	High Flow	Atomic® Mulching	Flat	Standard	
3280-D	52" SD (132 cm)	30555	18" (46 cm)				44-5480	104-1301		27-0990-03	
	Service Pack							108-1477			
	60" SD (152 cm)	30366	20.5" (52 cm)				110-4702-03	110-4703-03		110-4701	
	62" RD & Guardian (157 cm)	30403	21.75" (55 cm)					107-0214-03		92-5608-03	
	72" SD (183 cm)	31336	24.5" (62 cm)			110-0621-03	110-0622-03	110-0624-03			
	72" RD & Guardian (183 cm)	31335 30303	25.18" (64 cm)							121-5347-03	
360	60" SD (152 cm)	30456	20.5" (52 cm)			110-4701	110-4702-03	110-4703-03		110-4701	
	62" Guardian (157 cm)	30457	21.75" (55.2 cm)					107-0214-03	110-6115-03	92-5608-03	
	72" SD (183 cm)	30481	24.5" (62 cm)			110-0621-03	110-0622-03	110-0624-03		110-0621-03	
	72" RD & Guardian (183 cm)	30353	25.18" (64 cm)	125-9444-03					112-9586-03	121-5347-03	
	100" RD (254 cm)	31101	19" (48.3 cm)	106-7166-03				132-1319			
			Service Pack					132-1325			
	25.18" (64 cm)		125-9444-03								
3500-D 3500-G 3505-D	27" RD (69 cm)	30834	27" (68.6 cm)	108-9026-03	105-9810-03		104-5183	107-0235-03			
Service Pack								108-1462			
4000-D 4010-D	Center & Wing Decks		21.75" (55.2 cm)			136-4370-03		107-0214-03	110-6115-03	92-5608-03	
	Service Pack					137-5500		108-1450	110-6130	117-2722	

5/1/2018



HIGH SAIL/FLOW

- Provides best quality of cut in most grass conditions.
- Provides better air flow.



ATOMIC BLADE

- Provides the best quality of cut while mulching.
- Preferred blade for mulching applications.



MEDIUM SAIL/FLOW

- Provides better quality of cut.
- Better overall performance in most conditions.



FLAT BLADE

- Low noise level.
- Lower power consumption.
- Reduced discharge velocity of clippings.

Blades Reference Chart - Groundsmaster®										
GM Unit	Cutting Deck	Deck Model	Blade Length	Combo	Angle Sail	Medium Flow	High Flow	Atomic® Mulching	Flat	Standard
4100-D 4110-D	Center & Wing Decks		19" (48.3 cm)	106-7166-03				107-0215-03	110-6116-03	
	Service Pack			130-2660				108-1451	110-6140	
4300-D	22" RD (55.9 cm)	30845	22" (55.9 cm)	108-7395-03	117-0209-03		114-0434-03	114-0435-03		
	Service Pack			119-6957						
4500-D	27" RD (69 cm)	30834	27" (69 cm)	108-9026-03	105-9810-03		104-5183	107-0235-03		
	Service Pack							108-1463		
4700-D	27" RD (69 cm)	30834	27" (69 cm)	108-9026-03	105-9810-03		104-5183	107-0235-03		
	Service Pack							108-1464		
T3 5900 T3 5910	3 RD Decks		20" (50.8 cm)	110-5946-03				110-5948-03		
	Service Pack			115-8896				114-0897		
T4 5900 T4 5910	3 RD Decks		20" (50.8 cm)					132-1390-03		130-9151-03
	Service Pack							132-1391		132-1392
7200 7210	60" SD (152 cm)	30456	20.5" (52 cm)			110-4701	110-4702-03	110-4703-03		110-4701
	62" RD & Guardian (157 cm)	60457	21.75" (55.2 cm)					107-0214-03	110-6115-03	92-5608-03
	72" SD (183 cm)	30481	24.5" (62 cm)			110-0621-03	110-0622-03	110-0624-03		110-0621-03
	72" RD & Guardian (183 cm)	30353	25.18" (64 cm)	125-9444-03					112-9586-03	121-5347-03
	100" RD (254 cm)	31101	19" (48.3 cm)	106-7166-03				132-1319		
Service Pack							132-1325			
	25.18" (64 cm)		125-9444-03							

5/1/2018



HIGH SAIL/FLOW

- Provides best quality of cut in most grass conditions.
- Provides better air flow.



ATOMIC BLADE

- Provides the best quality of cut while mulching.
- Preferred blade for mulching applications.



MEDIUM SAIL/FLOW

- Provides better quality of cut.
- Better overall performance in most conditions.



FLAT BLADE

- Low noise level.
- Lower power consumption.
- Reduced discharge velocity of clippings.

QUICK REFERENCE GUIDE

BLADES

Groundsmaster®

Equipment	Description	Application	Part No.
Groundsmaster Series Decks 52 62 200	STANDARD BLADE	52"/132.1 cm SD & RD Deck (18"/45.7 cm Blade)	27-0990-03
	HIGH SAIL BLADE	52"/132.1 cm SD & RD Deck (18"/45.7 cm Blade)	44-5480
	ATOMIC BLADE	52"/132.1 cm SD & RD Deck (18"/45.7 cm Blade)	104-1301
	ATOMIC BLADE SERVICE PACK	52"/132.1 cm SD & RD Deck (6 #104-1301 Blades)	108-1477
	STANDARD BLADE	62"/157.5 cm Guardian (21.75"/55.2 cm Blade)	92-5608-03
	STANDARD BLADE	62"/157.5 cm SD & RD Deck (21.75"/55.2 cm Blade)	44-6250-03
	HIGH SAIL BLADE	62"/157.5 cm SD & RD Deck (21.75"/55.2 cm Blade)	77-6710-03
	ATOMIC BLADE	62"/157.5 cm SD & RD Deck (21.75"/55.2 cm Blade)	104-1303
	ATOMIC BLADE SERVICE PACK	62"/157.5 cm SD & RD Deck (6 #104-1303 Blades)	106-0631
	STANDARD BLADE	72"/182.9 cm SD & RD Deck (24.75"/62.9 cm Blade)	94-1861-03
Groundsmaster Series Decks 72 300	HIGH SAIL BLADE	72"/182.9 cm SD & RD Deck (24.75"/62.9 cm Blade)	104-4569-03
	ATOMIC BLADE	72"/182.9 cm SD & RD Deck (24.75"/62.9 cm Blade)	104-1304
	ATOMIC BLADE SERVICE PACK	72"/182.9 cm SD & RD Deck (6 #104-1304 Blades)	108-1478
	STANDARD BLADE	72"/182.9 cm Guardian (25"/63.5 cm Blade)	85-6040-03
	STANDARD BLADE	72"/182.9 cm SD & RD Deck (25"/63.5 cm Blade)	29-5530-03
	HIGH SAIL BLADE	72"/182.9 cm SD & RD Deck (25"/63.5 cm Blade)	23-2410-03
	ATOMIC BLADE	72"/182.9 cm SD & RD Deck (25"/63.5 cm Blade)	106-4353-03
	ATOMIC BLADE SERVICE PACK	72"/182.9 cm SD & RD Deck (6 #106-4354 Blades)	108-1454
	STANDARD BLADE	88"/223.5 cm Triflex Deck (19"/48.3 cm Blade)	63-0080-03
	Groundsmaster 455D	STANDARD BLADE	126"/320.0 cm Quadfloat Deck (19"/48.3 cm Blade)
ATOMIC BLADE		126"/320.0 cm Quadfloat Deck (19"/48.3 cm Blade)	107-0216-03
ATOMIC BLADE SERVICE PACK		126"/320.0 cm Quadfloat Deck (7 #107-0216-03 Blades)	108-1452
Groundsmaster 580D	STANDARD BLADE	Center & Wing Decks (20"/50.8 cm Blade)	69-6920-03
	ATOMIC BLADE	Center & Wing Decks (20"/50.8 cm Blade)	107-0217-03
	ATOMIC BLADE SERVICE PACK	Center & Wing Decks (11 #107-0217-03 Blades)	108-1453
Groundsmaster 3000	STANDARD BLADE	72"/182.9 cm Guardian (25"/63.5 cm Blade)	85-6040-03
	STANDARD BLADE	72"/182.9 cm RD Deck (25"/63.5 cm Blade)	93-4982
	STANDARD BLADE	82"/208.3 cm Contour Deck (22"/55.9 cm Blade)	93-8409
Groundsmaster 3280D 3320	STANDARD BLADE	52"/132.1 cm SD & RD Deck (18"/45.7 cm Blade)	27-0990-03
	HIGH SAIL BLADE	52"/132.1 cm SD & RD Deck (18"/45.7 cm Blade)	44-5480
	ATOMIC BLADE	52"/132.1 cm SD & RD Deck (18"/45.7 cm Blade)	104-1301
	ATOMIC BLADE SERVICE PACK	52"/132.1 cm SD & RD Deck (6 #104-1301 Blades)	108-1477
	MEDIUM SAIL BLADE	60"/152.4 cm SD Deck (20.5"/52 cm Blade)	110-4701
	HIGH SAIL BLADE	60"/152.4 cm SD Deck (20.5"/52 cm Blade)	110-4702-03
	ATOMIC BLADE	60"/152.4 cm SD Deck (20.5"/52 cm Blade)	110-4703-03
	STANDARD BLADE	62"/157.5 cm RD & Guardian Deck (25"/55.2 cm Blade)	92-5608-03
	ATOMIC BLADE	62"/157.5 cm RD (21.75"/55.2 cm Blade)	107-0214-03
	STANDARD BLADE	72"/182.9 cm RD & Guardian Deck (24.5"/62.2 cm Blade)	121-5347-03
Groundsmaster 3500D 3505D	MEDIUM SAIL BLADE	72"/182.9 cm SD Deck (24.5"/62.2 cm Blade)	110-0621-03
	HIGH SAIL BLADE	72"/182.9 cm SD Deck (24.5"/62.2 cm Blade)	110-0622-03
	ATOMIC BLADE	72"/182.9 cm RD & SD Deck (24.5"/62.2 cm Blade)	110-0624-03
	STANDARD BLADE	27"/68.6 cm Deck (27"/68.6 cm Blade) (2000-05)	105-9810-03
	HIGH SAIL BLADE	27"/68.6 cm Deck (27"/68.6 cm Blade) (2000-05)	104-5183
	COMBINATION BLADE	27"/68.6 cm Deck (27"/68.6 cm Blade) (2006 & Up)	108-9026-03
	ATOMIC BLADE	27"/68.6 cm Deck (27"/68.6 cm Blade) (2006 & Up)	107-0235-03
Groundsmaster 360	ATOMIC BLADE SERVICE PACK	27"/68.6 cm Deck (6 #107-0235-03 Blades)	108-1462
	ATOMIC BLADE	72"/182.9 cm SD & Guardian Deck (24.5"/62.2 cm Blade)	110-0624-03
	MEDIUM SAIL BLADE	72"/182.9 cm SD & Guardian Deck (24.5"/62.2 cm Blade)	110-0622-03
	HIGH SAIL BLADE	100"/254 cm Deck (19"/48.3 cm Blade)	132-1319

HIGH SAIL

- Provides best quality of cut in most grass conditions.
- Preferred blade for bagging applications.

MEDIUM SAIL

- Provides better quality of cut.
- Better overall performance in most conditions.

Groundsmaster® - continued

Equipment	Description	Application	Part No.
Groundsmaster 4000D	STANDARD BLADE	132"/335.3 cm Deck (21.75"/55.2 cm Blade)	92-5608-03
	STD. BLADE SERVICE PACK	132"/335.3 cm Deck (7 #92-5608-03 Blades)	117-2722
	FLAT SAIL BLADE	132"/335.3 cm Deck (21.75"/55.2 cm Blade)	110-6115-03
	FLAT SAIL BLADE SERVICE PACK	132"/335.3 cm Deck (7 #110-6115-03 Blades)	110-6130
	MEDIUM SAIL BLADE	32"/335.3 cm Deck (21.75"/55.2 cm Blade)	136-4370-03
	MEDIUM SAIL SERVICE PACK	132"/335.3 cm (7 #136-4370-03 Blades)	137-5500
	ATOMIC BLADE	132"/335.3 cm Deck (21.75"/55.2 cm Blade)	107-0214-03
	ATOMIC BLADE SERVICE PACK	132"/335.3 cm Deck (7 #107-1214-03 Blades)	108-1450
Groundsmaster 4100D	STANDARD BLADE	124"/315.0 cm Deck (19"/48.3 cm Blade)	106-7166-03
	FLAT SAIL BLADE	124"/315.0 cm Deck (19"/48.3 cm Blade)	110-6116-03
	FLAT SAIL BLADE SERVICE PACK	124"/315.0 cm Deck (7 #110-6116-03 Blades)	110-6140
	ATOMIC BLADE	124"/315.0 cm Deck (19"/48.3 cm Blade)	107-0215-03
	ATOMIC BLADE SERVICE PACK	124"/315.0 cm Deck (7 #107-1215-03 Blades)	108-1451
Groundsmaster 4300D	COMBINATION BLADE	Contour Plus 22" Deck (22"/55.9 cm Blade)	108-7395-03
	COMBO BLADE SERVICE PACK	5 of 108-7395-03	119-6957
	HIGH SAIL BLADE	Contour Plus 22" Deck (22"/55.9 cm Blade)	114-0434-03
	ATOMIC BLADE	Contour Plus 22" Deck (22"/55.9 cm Blade)	114-0435-03
	ANGLE SAIL BLADE	Contour Plus 22" Deck (22"/55.9 cm Blade)	117-0209-03
Groundsmaster 4500D	STANDARD BLADE	27"/68.6 cm Deck (27"/68.6 cm Blade) (2002-05)	105-9810-03
	HIGH SAIL BLADE	27"/68.6 cm Deck (27"/68.6 cm Blade) (2002-05)	104-5183
	COMBINATION BLADE	27"/68.6 cm Deck (27"/68.6 cm Blade) (2006 & Up)	108-9026-03
	ATOMIC BLADE	27"/68.6 cm Deck (27"/68.6 cm Blade) (2006 & Up)	107-0235-03
	ATOMIC BLADE SERVICE PACK	27"/68.6 cm Deck (5 #107-0235-03 Blades)	108-1463
Groundsmaster 4700D	STANDARD BLADE	27"/68.6 cm Deck (27"/68.6 cm Blade) (2002-05)	105-9810-03
	HIGH SAIL BLADE	27"/68.6 cm Deck (27"/68.6 cm Blade) (2002-05)	104-5183
	COMBINATION BLADE	27"/68.6 cm Deck (27"/68.6 cm Blade) (2006 & Up)	108-9026-03
	ATOMIC BLADE	27"/68.6 cm Deck (27"/68.6 cm Blade) (2006 & Up)	107-0235-03
	ATOMIC BLADE SERVICE PACK	27"/68.6 cm Deck (7 #107-0235-03 Blades)	108-1464
Groundsmaster 5900 5910	STANDARD BLADE	Center & Wing Decks (20"/50.8 cm Blade) Tier3	110-5946-03
	STD. BLADE SERVICE PACK	Center & Wing Decks (11 #110-5946-03 Blades) Tier3	115-8896
	ATOMIC BLADE	Center & Wing Decks (20"/50.8 cm Blade) Tier3	110-5948-03
	ATOMIC BLADE SERVICE PACK	Center & Wing Decks (11 #110-5948-03 Blades) Tier3	114-0897
	STANDARD BLADE	Center & Wing Decks (20"/50.8 cm Blade) Tier4	130-9151-03
	ATOMIC BLADE	Center & Wing Decks (20"/50.8 cm Blade) Tier4	132-1390-03
	ATOMIC BLADE SERVICE PACK	Center & Wing Decks (11 #132-1390-03) Tier4	132-1391
	STANDARD BLADE SERVICE PACK	Center & Wing Decks (11 #130-9151-03 Blades) Tier4	132-1392
Groundsmaster 7200 7210	STANDARD BLADE	62"/157.5 cm Guardian (21.75"/55.2 cm Blade)	92-5608-03
	STANDARD BLADE	72"/182.9 cm Guardian (24.5"/62.2 cm Blade)	121-5347-03
	MEDIUM SAIL BLADE	72"/182.9 cm SD Deck (24.5"/62.2 cm Blade)	110-0621-03
	HIGH SAIL BLADE	72"/182.9 cm SD Deck (24.5"/62.2 cm Blade)	110-0622-03
	ATOMIC BLADE	72"/182.9 cm SD Deck (24.5"/62.2 cm Blade)	110-0624-03
	FLAT SAIL BLADE	72"/182.9 cm Guardian (24.5"/62.2 cm Blade)	112-9586-03
	HIGH SAIL BLADE	100"/254 cm Deck (19"/48.3 cm Blade)	132-1319

LOW SAIL

- Low noise level.
- Lower power consumption.
- Reduced discharge velocity of clippings.

ATOMIC

- Aggressive teeth design shreds grass leaving fine mulch.

QUICK REFERENCE GUIDE

FILTERS

Greensmaster[®] - Walkers

Equipment	Description	Part No.
Greensmaster 500/800/1000/1600/2600	Maintenance Kit (2004 - 2011)	30065**
	Maintenance Kit (2012 & Up)	30097**
	AIR FILTER ELEMENT - MAIN	93-8636
	AIR FILTER ELEMENT - WRAPPER	93-8637
	GAS FUEL FILTER SCREEN (GR 1000 1995-MID 1996 & UP ONLY)	93-8684
	GAS FUEL FILTER SCREEN	94-6826
Greensmaster Flex 18/1800/1820 Flex 21/2100/2120	Maintenance Kit (2004 - 2011)	30065**
	Maintenance Kit (2012 & Up)	30097**
	AIR FILTER ELEMENT - MAIN	93-8636
	AIR FILTER ELEMENT - WRAPPER	93-8637
	GAS FUEL FILTER SCREEN	94-6826

Greensmaster[®] - Riders

Equipment	Description	Part No.
Greensmaster 300	ENGINE OIL FILTER BREATHER ELEMENT	235118
	AIR FILTER ELEMENT	235116
	IN-LINE FUEL FILTER	108-3831
	HYDRAULIC OIL FILTER ELEMENT	74-3570
	AIR FILTER ELEMENT	92-0530
Greensmaster 3000	ENGINE OIL FILTER BREATHER ELEMENT	235118
	AIR FILTER ELEMENT - MAIN	4508302
	AIR FILTER ELEMENT - WRAPPER	4508301
	IN-LINE FUEL FILTER	108-3831
	HYDRAULIC OIL FILTER ELEMENT	74-3570
	AIR FILTER ELEMENT	92-0530
Greensmaster 3000D	ENGINE OIL FILTER	108-3841
	AIR FILTER ELEMENT	108-3833
	FUEL FILTER DIESEL - ELECTRIC FUEL PUMP	43-2550
	FUEL FILTER ELEMENT - DIESEL	63-8300
	HYDRAULIC OIL FILTER	74-3570
Greensmaster 3050 3100	ENGINE OIL FILTER	107-7817
	AIR FILTER ELEMENT - MAIN	92-0527
	IN-LINE FUEL FILTER	94-2690
	HYDRAULIC OIL FILTER	74-3570
Greensmaster 3150	400 Hour Filter Kit (Up to 2011)	30064**
	800 Hour Filter Kit (2013 & Up)	131-6262**
	ENGINE OIL FILTER	107-7817
	AIR FILTER ELEMENT - MAIN	92-0527
	IN-LINE FUEL FILTER	94-2690
	HYDRAULIC OIL FILTER	107-9531
Greensmaster 3200	ENGINE OIL FILTER	491056
	AIR FILTER ELEMENT	108-3811
	IN-LINE FUEL FILTER (1995-96)	94-2690
	IN-LINE FUEL FILTER (1997-98)	108-3854
	HYDRAULIC OIL FILTER ELEMENT	75-1310
Greensmaster 3200D	ENGINE OIL FILTER	85-4930
	AIR FILTER ELEMENT	108-3811
	DIESEL FUEL FILTER	130366040
	HYDRAULIC OIL FILTER ELEMENT	75-1310
Greensmaster 3250D	400 Hour Filter Kit (2003-06)	30018**
	400 Hour Filter Kit (2007-2011)	30062**
	500 Hour Filter Kit (2012 & Up)	30086**
	ENGINE OIL FILTER (2007-2011)	108-3842
	ENGINE OIL FILTER	115-8189
	AIR FILTER ELEMENT	108-3811
	AIR FILTER SAFETY	98-2982
	DIESEL FUEL FILTER ELEMENT (2000-06)	100-3192
	BIO-DIESEL FUEL FILTER ELEMENT (2007-2011)	112-9188
	FILTER - SPIN ON	110-9049
	HYDRAULIC OIL FILTER ELEMENT (2000-02)	75-1310
	HYDRAULIC OIL FILTER ELEMENT (2003 & UP)	107-9531

Greensmaster® - Riders - continued

Equipment	Description	Part No.
Greensmaster 3300	400 Hour Filter Kit	30042**
3320	IN-LINE FUEL FILTER	115-7854
	IN-LINE FUEL FILTER	94-2690
	HYDRAULIC OIL FILTER	108-5194
Greensmaster 3400	400 Hour Filter Kit	30043**
3420	ENGINE OIL FILTER	115-8189
	AIR FILTER	108-3811
	DIESEL FUEL FILTER (2008 & UP)	110-9049
	HYDRAULIC OIL FILTER ELEMENT	108-5194

Reelmaster®

Equipment	Description	Part No.
Reelmaster 216	ENGINE OIL FILTER BREATHER ELEMENT	235118
	AIR FILTER ELEMENT - MAIN	4508302
	AIR FILTER ELEMENT - WRAPPER	4508301
	GAS IN-LINE FUEL FILTER	108-3854
	HYDRAULIC OIL FILTER	54-0110
Reelmaster 216D	ENGINE OIL FILTER	85-4930
	AIR FILTER ELEMENT	108-3808
	DIESEL FUEL FILTER ELEMENT	130336040
	HYDRAULIC OIL FILTER	54-0110
Grounds Pro 2000	ENGINE OIL FILTER	107-7817
	AIR FILTER ELEMENT - MAIN	92-0527
	AIR FILTER ELEMENT - WRAPPER	2724905
	IN-LINE FUEL FILTER	108-3854
	HYDRAULIC OIL FILTER ELEMENT	54-0110
Grounds Pro 2000D	ENGINE OIL FILTER	108-3842
	AIR FILTER ELEMENT	108-3811
	DIESEL FUEL FILTER ELEMENT SEPARATOR	63-8300
	HYDRAULIC OIL FILTER	54-0110
Reelmaster 2000D	ENGINE OIL FILTER	108-3842
	AIR FILTER ELEMENT (2005 & UP)	108-3811
	DIESEL FUEL FILTER ELEMENT SEPARATOR	63-8300
	HYDRAULIC OIL FILTER ELEMENT	54-0110
Reelmaster 2300D 2600D	ENGINE OIL FILTER	85-4930
	AIR FILTER ELEMENT	108-3811
	DIESEL FUEL FILTER ELEMENT	130336040
	HYDRAULIC OIL FILTER ELEMENT	54-0110
Reelmaster 3100	400 Hour Filter Kit (1999-2007)	30016**
	400 Hour Filter Kit (2008 & Up)	30053**
	ENGINE OIL FILTER	108-3841
	ENGINE OIL FILTER BREATHER ELEMENT	98-9493
	AIR FILTER ELEMENT (2005 & UP)	108-3811
	IN-LINE PLASTIC DIESEL FUEL FILTER (1999-07 & 2010)	98-7612
	IN-LINE METAL DIESEL FUEL FILTER (1999-07)	108-3828
	DIESEL FUEL FILTER ELEMENT (1999-07)	98-9764
	DIESEL FUEL FILTER ELEMENT (2008 & UP)	110-9049
	IN-LINE BIO-DIESEL KIT	112-7836
	ELEMENT BIO-DIESEL KIT	110-9015
	HYDRAULIC OIL FILTER ELEMENT	54-0110
	FILTER HEAD (2001 & UP)	92-5821
Reelmaster 3550D	400 Hour Filter Kit	30090**
	AIR FILTER	108-3811
	ENGINE OIL FILTER	108-3841
	TRANSMISSION OIL FILTER	86-3010
	SPIN ON FILTER	110-9049
	FILTER HEAD	92-5821

QUICK REFERENCE GUIDE

FILTERS

Reelmaster[®] - continued

Equipment	Description	Part No.
Reelmaster 223D 5100D	ENGINE OIL FILTER	108-3841
	AIR FILTER ELEMENT	108-3833
	AIR FILTER PRE-CLEANER ASSEMBLY	48-7430
	DIESEL FUEL FILTER ELEMENT SEPARATOR	63-8300
	DIESEL ELECTRIC FUEL PUMP FILTER (EFP)	43-2550
	HYDRAULIC OIL FILTER ELEMENT RESERVOIR	75-1310
	HYDRAULIC OIL FILTER ELEMENT TRANS	110-4146
	HYDRAULIC OIL FILTER ELEMENT FRONT AXLE	75-6340
Reelmaster 5210 5410 5510	400 Hour Filter Kit (2006-07)	30039**
	400 Hour Filter Kit (2008 & Up) non Tier4	30054**
	ENGINE OIL FILTER	108-3841
	AIR FILTER ELEMENT	108-3810
	IN-LINE PLASTIC DIESEL FUEL FILTER (2006-07)	98-7612
	IN-LINE METAL DIESEL FUEL FILTER (2006-07)	108-3828
	DIESEL FUEL FILTER ELEMENT (2006-07)	98-9764
	DIESEL FUEL FILTER ELEMENT (2008 & UP)	110-9049
	IN-LINE BIO-DIESEL KIT	112-7836
	ELEMENT BIO-DIESEL KIT	110-9015
FILTER HEAD (2006 & UP)	92-5821	
Reelmaster 5410G 5510G	800 Hour Filter Kit	30091**
	AIR FILTER	108-3810
	OIL FILTER	108-3841
	FILTER ELEMENT	94-2621
	TRANSMISSION OIL FILTER	86-3010
Reelmaster 5410D 5510D	800 Hour Filter Kit Tier4 Final	30093**
	AIR FILTER	108-3810
	ENGINE FILTER	125-7025
	FILTER ELEMENT	94-2621
	TRANSMISSION OIL FILTER	86-3010
	FILTER SPIN ON	125-2915
	FUEL FILTER	125-8752
Reelmaster 5010-H	800 Hour Filter Kit	30247**
	ENGINE OIL FILTER	108-3841
	FUEL/WATER SEPARATOR	110-9049
	HYDRAULIC OIL FILTER	86-3010
	AIR FILTER	108-3810
Reelmaster 5200D 5400D	400 Hour Filter Kit	30015**
	ENGINE OIL FILTER	108-3841
	ENGINE OIL FILTER BREATHER ELEMENT	98-9493
	AIR FILTER ELEMENT (2005 & UP)	108-3810
	AIR FILTER PRE-CLEANER ASSEMBLY	48-7430
	IN-LINE PLASTIC DIESEL FUEL FILTER (1998)	98-7612
	IN-LINE METAL DIESEL FUEL FILTER (1998)	108-3828
	DIESEL FUEL FILTER ASSEMBLY (1991-01)	99-8351
	DIESEL FUEL FILTER ELEMENT (1991-01)	99-8358
	IN-LINE PLASTIC DIESEL FUEL FILTER (2002 & UP)	98-7612
	IN-LINE METAL DIESEL FUEL FILTER (2002 & UP)	108-3828
	DIESEL FUEL FILTER ELEMENT SEPARATOR	98-9764
	IN-LINE BIO-DIESEL KIT	112-7836
	BIO-DIESEL FUEL FILTER ELEMENT	110-9015
	HYDRAULIC OIL FILTER ELEMENT RESERVOIR	75-1310
	HYDRAULIC OIL FILTER ELEMENT TRANS	110-4146
HYDRAULIC OIL FILTER ELEMENT FRONT AXLE	75-6340	
Reelmaster 5300D	ENGINE OIL FILTER	112-8409
	AIR FILTER ELEMENT	108-3833
	AIR FILTER PRE-CLEANER ASSEMBLY	48-7430
	DIESEL FUEL FILTER ELEMENT SEPARATOR	63-8300
	DIESEL ELECTRIC FUEL PUMP	43-2550
	HYDRAULIC OIL FILTER ELEMENT RESERVOIR	75-1310
	HYDRAULIC OIL FILTER ELEMENT TRANS	110-4146
	HYDRAULIC OIL FILTER ELEMENT FRONT AXLE	75-6340

Reelmaster[®] - continued

Equipment	Description	Part No.
Reelmaster 5500D	400 Hour Filter Kit	30038**
	ENGINE OIL FILTER	108-3841
	ENGINE OIL BREATHER ELEMENT	98-9493
	AIR FILTER ELEMENT (2005 & UP)	108-3810
	AIR FILTER PRE-CLEANER ASSEMBLY	48-7430
	IN-LINE DIESEL FUEL FILTER (2000-01)	99-8351
	IN-LINE PLASTIC DIESEL FUEL FILTER (2002 & UP)	98-7612
	IN-LINE METAL DIESEL FUEL FILTER (2002 & UP)	108-3828
	DIESEL FUEL FILTER ELEMENT SEPARATOR	98-9764
	IN-LINE BIO-DIESEL KIT	112-7836
	BIO-DIESEL FUEL FILTER ELEMENT	110-9015
	HYDRAULIC OIL FILTER ELEMENT RESERVOIR	94-2621
	HYDRAULIC OIL FILTER ELEMENT TRANS	110-4146
HYDRAULIC OIL FILTER ELEMENT FRONT AXLE	75-6340	
Reelmaster 5610	400 Hour Filter Kit (2006-07)	30040**
	400 Hour Filter Kit (2008 - 2012)	30055**
	ENGINE OIL FILTER	108-3841
	AIR FILTER ELEMENT	108-3812
	IN-LINE PLASTIC DIESEL FUEL FILTER (2006-07)	98-7612
	IN-LINE METAL DIESEL FUEL FILTER (2006-07)	108-3828
	DIESEL FUEL FILTER ELEMENT (2006-07)	98-9764
	DIESEL FUEL FILTER ELEMENT (2008 & UP)	110-9049
	IN-LINE BIO-DIESEL KIT	112-7836
	BIO-DIESEL FUEL FILTER ELEMENT	110-9015
	HYDRAULIC OIL FILTER ELEMENT STEERING	86-3010
	HYDRAULIC OIL FILTER ELEMENT RESERVOIR	94-2621
	Reelmaster 6500D 6700D	400 Hour Filter Kit (2003-07)
400 Hour Filter Kit (2008 & Up)		30057**
ENGINE OIL FILTER (1995-01)		108-3837
ENGINE OIL FILTER (2001 & UP)		108-3841
ENGINE OIL BREATHER ELEMENT (2001 & UP)		98-9493
AIR FILTER OUTER		108-3812
AIR FILTER INNER		108-3813
DIESEL FUEL FILTER ELEMENT (1995-01)		76-5220
DIESEL FUEL FILTER ASSEMBLY (2001-02)		99-8351
DIESEL FUEL FILTER ELEMENT (2001-02)		99-8358
IN-LINE PLASTIC DIESEL FUEL FILTER (2003-07)		98-7612
IN-LINE METAL DIESEL FUEL FILTER (2003-07)		108-3828
DIESEL FUEL FILTER ELEMENT (2003-07)		98-9764
DIESEL FUEL FILTER ELEMENT (2008 & UP)	110-9049	
IN-LINE BIO-DIESEL KIT	112-7836	
ELEMENT BIO-DIESEL KIT	110-9015	
HYDRAULIC OIL FILTER ELEMENT	94-2621	
Reelmaster 335D 3500D	ENGINE OIL FILTER	108-3837
	AIR FILTER ELEMENT	108-3833
	DIESEL FUEL FILTER ELEMENT	76-5220
	HYDRAULIC OIL FILTER ELEMENT	86-3010
Reelmaster 450D 4500D	ENGINE OIL FILTER	108-3835
	AIR FILTER ELEMENT	108-3833
	AIR FILTER PRE-CLEANER ASSEMBLY	48-7430
	DIESEL FUEL FILTER ELEMENT	60-5470
	HYDRAULIC OIL FILTER ELEMENT (1986-92)	69-1720
	HYDRAULIC OIL FILTER ELEMENT (1993 & UP)	86-6110

QUICK REFERENCE GUIDE

FILTERS

Reelmaster[®] - continued

Equipment	Description	Part No.
Reelmaster 4000D	400 Hour Filter Kit (2002-07)	30012**
	400 Hour Filter Kit (2008 & Up)	30061**
	ENGINE OIL FILTER	104-5169
	ENGINE OIL BREATHER ELEMENT	98-7419
	AIR FILTER OUTER	108-3812
	AIR FILTER INNER	108-3813
	IN-LINE PLASTIC DIESEL FUEL FILTER (1998-01)	98-7612
	IN-LINE METAL DIESEL FUEL FILTER (1998-01)	108-3828
	IN-LINE DIESEL FUEL FILTER ASSEMBLY (2002-03)	99-8351
	IN-LINE DIESEL FUEL FILTER ELEMENT (2002-03)	99-8358
	IN-LINE PLASTIC DIESEL FUEL FILTER (2004-2007)	98-7612
	IN-LINE METAL DIESEL FUEL FILTER (2004-07)	108-3828
	DIESEL FUEL FILTER ELEMENT SEPARATOR (1998-01)	76-5220
	DIESEL FUEL FILTER ELEMENT SEPARATOR (2002 & UP)	98-9764
	IN-LINE BIO-DIESEL KIT	112-7836
ELEMENT BIO-DIESEL KIT	110-9015	
HYDRAULIC OIL FILTER ELEMENT	86-6110	
Reelmaster 7000D	ENGINE OIL FILTER	104-5169
	AIR FILTER OUTER	108-3814
	AIR FILTER INNER	108-3816
	GAS FUEL FILTER ELEMENT (2008 & UP)	110-9049
	HYDRAULIC OIL FILTER AT PUMP	75-1310
	HYDRAULIC OIL FILTER AT MANIFOLD	94-2621
	OIL FILTER	93-2242

Groundsmaster[®]

Equipment	Description	Part No.
Groundsmaster 52	AIR FILTER ELEMENT	108-3808
	IN-LINE GAS FUEL FILTER	108-3831
	HYDRAULIC OIL FILTER ELEMENT - TRANS	23-2300
Groundsmaster 62	ENGINE OIL FILTER	108-3817
	AIR FILTER ELEMENT	108-3833
	IN-LINE GAS FUEL FILTER	108-3831
	HYDRAULIC OIL FILTER ELEMENT - TRANS	23-2300
Groundsmaster 217D	ENGINE OIL FILTER	42-9030
	AIR FILTER ELEMENT	108-3833
	IN-LINE DIESEL FUEL FILTER	43-1820
	DIESEL ELECTRIC FUEL PUMP FILTER (EFP)	43-2550
	HYDRAULIC OIL FILTER ELEMENT- TRANS	23-2300
Groundsmaster 220	ENGINE OIL FILTER	108-3817
	ENGINE OIL FILTER BREATHER ELEMENT	57-8580
	AIR FILTER ELEMENT	108-3833
	IN-LINE GAS FUEL FILTER	71-5960
	HYDRAULIC OIL FILTER ELEMENT- TRANS	23-2300
Groundsmaster 220D 223D	400 Hour Filter Kit	30030**
	ENGINE OIL FILTER	108-3841
	AIR FILTER ELEMENT	108-3833
	DIESEL FUEL FILTER ELEMENT SEPARATOR	63-8300
	DIESEL ELECTRIC FUEL PUMP FILTER (EFP)	43-2550
	HYDRAULIC OIL FILTER ELEMENT- TRANS	23-2300
Groundsmaster 224	ENGINE OIL FILTER	108-3841
	AIR FILTER ELEMENT	108-3833
	IN-LINE GAS FUEL FILTER	108-3831
	GAS ELECTRIC FUEL PUMP FILTER	43-2550
	HYDRAULIC OIL FILTER ELEMENT- TRANS	23-2300
Groundsmaster 225	400 Hour Filter Kit	30002**
	ENGINE OIL FILTER	108-3842
	AIR FILTER ELEMENT	108-3833
	IN-LINE GAS FUEL FILTER	108-3854
	HYDRAULIC OIL FILTER ELEMENT- TRANS	23-2300

Groundsmaster® - continued

Equipment	Description	Part No.	
Groundsmaster 228D	400 Hour Filter Kit	30001**	
	ENGINE OIL FILTER	108-3841	
	ENGINE OIL FILTER BREATHER ELEMENT	98-9493	
	AIR FILTER ELEMENT	108-3810	
	IN-LINE PLASTIC DIESEL FUEL FILTER	98-7612	
	IN-LINE METAL DIESEL FUEL FILTER	108-3828	
	DIESEL FUEL FILTER ELEMENT SEPARATOR	98-9764	
	IN-LINE BIO-DIESEL FUEL FILTER KIT	112-7836	
	BIO-DIESEL FUEL FILTER ELEMENT	110-9015	
	DIESEL ELECTRIC FUEL PUMP FILTER (EFP)	43-2550	
HYDRAULIC OIL FILTER ELEMENT- TRANS	23-2300		
Groundsmaster 322D	ENGINE OIL FILTER	42-9030	
	AIR FILTER ELEMENT	108-3833	
	IN-LINE DIESEL FUEL FILTER	43-1820	
	DIESEL FUEL FILTER ELEMENT SEPARATOR (1989-90)	63-8300	
	DIESEL ELECTRIC FUEL PUMP FILTER (EFP)	43-2550	
	HYDRAULIC OIL FILTER ELEMENT- TRANS	23-2300	
Groundsmaster 325D	400 Hour Filter Kit	30023**	
	ENGINE OIL FILTER 2WD	42-9030	
	ENGINE OIL FILTER 4WD (1991-94)	42-9030	
	ENGINE OIL FILTER 4WD (1995 & UP)	108-3841	
	AIR FILTER ELEMENT	108-3833	
	IN-LINE DIESEL FUEL FILTER	43-1820	
	DIESEL FUEL FILTER ELEMENT SEPARATOR	63-8300	
	DIESEL ELECTRIC FUEL PUMP FILTER (EFP)	43-2550	
HYDRAULIC OIL FILTER ELEMENT	23-9740		
Groundsmaster 327	ENGINE OIL FILTER		
	AIR FILTER ELEMENT	108-3833	
	IN-LINE GAS FUEL FILTER	108-3831	
	HYDRAULIC OIL FILTER ELEMENT - TRANS	23-2300	
Groundsmaster 328D	400 Hour Filter Kit (2001 thru 2007)	30022**	
	400 Hour Filter Kit (2008 & Up)	30059**	
	ENGINE OIL FILTER	108-3841	
	ENGINE OIL FILTER BREATHER ELEMENT	98-9493	
	AIR FILTER ELEMENT	108-3810	
	IN-LINE PLASTIC DIESEL FUEL FILTER (2001-07)	98-7612	
	IN-LINE METAL DIESEL FUEL FILTER (2001-07)	108-3828	
	DIESEL FUEL FILTER ELEMENT (2001-07)	98-9764	
	DIESEL FUEL FILTER ELEMENT (2008 & UP)	110-9049	
	DIESEL ELECTRIC FUEL PUMP FILTER (EFP)	43-2550	
	IN-LINE BIO-DIESEL FUEL FILTER KIT	112-7836	
	BIO-DIESEL FUEL FILTER ELEMENT	110-9015	
	HYDRAULIC OIL FILTER ELEMENT	23-9740	
	Groundsmaster 345	400 Hour Filter Kit	30021**
		ENGINE OIL FILTER	108-3817
AIR FILTER ELEMENT		108-3833	
GAS FUEL FILTER AT TANK		108-3831	
GAS FUEL FILTER ENGINE (1999 & UP)		FG778B	
HYDRAULIC OIL FILTER		23-9740	
Groundsmaster 360	MVP Filter Kit	30261**	
	ENGINE OIL FILTER	108-3841	
	AIR FILTER ELEMENT	108-3810	
	DIESEL FUEL FILTER ELEMENT (2008 & UP)	110-9049	
	HYDRAULIC OIL FILTER ELEMENT TRANS	108-5194	
Groundsmaster 455D	400 Hour Filter Kit	30028**	
	ENGINE OIL FILTER	108-3837	
	AIR FILTER ELEMENT (1992-95)	108-3833	
	AIR FILTER ELEMENT OUTER (1996 & UP)	108-3812	
	AIR FILTER ELEMENT INNER (1996 & UP)	108-3813	
	DIESEL FUEL FILTER ELEMENT	76-5220	
	HYDRAULIC OIL FILTER ELEMENT	86-3010	

*Not illustrated. **Not sold separately. See pages 20-33 for kit contents. Prices subject to change without notice. Please see your Parts Catalog or Master Parts Viewer to ensure the correct part is ordered, as the part you need may not be listed above. toro.com/parts

QUICK REFERENCE GUIDE

FILTERS

Groundsmaster[®] - continued

Equipment	Description	Part No.
Groundsmaster 580D	400 Hour Filter Kit (1989-03)	30024**
	400 Hour Filter Kit (2004 & Up)	30063**
	ENGINE OIL FILTER (1989-97)	108-3835
	ENGINE OIL FILTER (1998 & UP)	110-6166
	AIR FILTER ELEMENT (1989-97)	108-3809
	AIR FILTER ELEMENT 2005 & UP)	108-3815
	DIESEL FUEL FILTER ELEMENT INJECTION PUMP	108-3818
	DIESEL FUEL FILTER FEED PUMP	70-4790
	DIESEL FUEL FILTER ELEMENT (1989-03)	117-9432
	DIESEL FUEL FILTER ELEMENT (2004-05)	60-5470
	IN-LINE DIESEL FUEL FILTER (2006 & UP)	108-3831
	BIO-DIESEL FUEL FILTER ELEMENT KIT	112-9188
	HYDRAULIC OIL FILTER ELEMENT	69-1720
Groundsmaster 3000	ENGINE OIL FILTER	FL-400-A
	AIR FILTER ELEMENT (1996)	108-3812
	GAS FUEL FILTER	FG795A
	HYDRAULIC OIL FILTER ELEMENT	94-3951
Groundsmaster 3000D	400 Hour Filter Kit	30010**
	ENGINE OIL FILTER	108-3837
	AIR FILTER ELEMENT (1996)	108-3812
	DIESEL FUEL FILTER ELEMENT	76-5220
	HYDRAULIC OIL FILTER ELEMENT	94-3951
Groundsmaster 3280D	400 Hour Filter Kit (2005-07)	30034**
	400 Hour Filter Kit (2008-2015)	30051**
	400 Hour filter Kit (2016 & Up)	30262**
	ENGINE OIL FILTER	108-3841
	AIR FILTER ELEMENT (2005 & UP)	108-3810
	IN-LINE PLASTIC DIESEL FUEL FILTER (2005-07)	98-7612
	IN-LINE METAL DIESEL FUEL FILTER (2005-07)	108-3828
	DIESEL FUEL FILTER ELEMENT (2005-07)	98-9764
	DIESEL FUEL FILTER ELEMENT (2008 - 2012)	110-9049
	IN-LINE BIO-DIESEL FUEL FILTER KIT	112-7836
	BIO-DIESEL FUEL FILTER ELEMENT	110-9015
HYDRAULIC OIL FILTER ELEMENT - TRANS	23-2300	
Groundsmaster 3320	ENGINE OIL FILTER	108-3842
	AIR FILTER ELEMENT (2005 & UP)	108-3810
	IN-LINE GAS FUEL FILTER	108-3854
	HYDRAULIC OIL FILTER ELEMENT - TRANS	23-2300
Groundsmaster 3500D 3505D	400 Hour Filter Kit (2002-2007)	30027**
	400 Hour Filter Kit (2008-2012)	30058**
	400 Hour Filter Kit (2013 & Up)	30090**
	ENGINE OIL FILTER	108-3841
	ENGINE OIL FILTER BREATHER ELEMENT	98-9493
	AIR FILTER ELEMENT (2005 & UP)	108-3810
	IN-LINE PLASTIC DIESEL FUEL FILTER (2002-07)	98-7612
	IN-LINE METAL DIESEL FUEL FILTER (2002-07)	108-3828
	DIESEL FUEL FILTER ELEMENT (2002-07)	98-9764
	DIESEL FUEL FILTER ELEMENT (2008-2012)	110-9049
	IN-LINE BIO-DIESEL FUEL FILTER KIT	112-7836
BIO-DIESEL FUEL FILTER ELEMENT	110-9015	
HYDRAULIC OIL FILTER ELEMENT (2000-01)	54-0110	
HYDRAULIC OIL FILTER ELEMENT (2002 & UP)	86-3010	

Groundsmaster[®] - continued

Equipment	Description	Part No.	
Groundsmaster 4000D 4100D	400 Hour Filter Kit (2001-07)	30029**	
	400 Hour Filter Kit (2008 & Up)	30056**	
	800 Hour Filter Kit (T4i)	30089**	
	800 Hour Filter Kit (T4F)	30408**	
	ENGINE OIL FILTER (2001 & UP)	104-5169	
	ENGINE OIL FILTER BREATHER ELEMENT	98-7419	
	AIR FILTER ELEMENT INNER (2004 & UP)	108-3816	
	AIR FILTER ELEMENT OUTER (2004 & UP)	108-3814	
	IN-LINE PLASTIC DIESEL FUEL FILTER (2001-07)	98-7612	
	IN-LINE METAL DIESEL FUEL FILTER (2001-07)	108-3828	
	DIESEL FUEL FILTER ELEMENT (2001-07)	98-9764	
	DIESEL FUEL FILTER ELEMENT (2008 & UP)	110-9049	
	IN-LINE BIO-DIESEL FUEL FILTER KIT	112-7836	
	BIO-DIESEL FUEL FILTER ELEMENT	110-9015	
	HYDRAULIC OIL FILTER ELEMENT AT PUMP	75-1310	
	HYDRAULIC OIL FILTER ELEMENT AT MANIFOLD	94-2621	
	OIL FILTER	93-2242	
	FILTER - FUEL/WATER SEPARATOR	125-2915	
	Groundsmaster 4300D	400 Hour Filter Kit (2008 - 2012)	30055**
		800 Hour Filter MVP Kit (2013 & Up)	30093**
ENGINE OIL FILTER		108-3841	
AIR FILTER		108-3812	
IN-LINE DIESEL FUEL FILTER		110-9044	
DIESEL FUEL FILTER ELEMENT (2008 - 2012)		110-9049	
HYDRAULIC OIL FILTER RESERVOIR ELEMENT		94-2621	
HYDRAULIC OIL FILTER AT PUMP ELEMENT	86-3010		
Groundsmaster 4500D 4700D	400 Hour Filter Kit (2001-07)	30029**	
	400 Hour Filter Kit (2008 & Up)	30056**	
	800 Hour Filter Kit (T4i)	30089**	
	800 Hour Filter Kit (T4F)	30408**	
	ENGINE OIL FILTER	104-5169	
	ENGINE OIL FILTER BREATHER ELEMENT	98-7419	
	AIR FILTER ELEMENT INNER (2004 & UP)	108-3816	
	AIR FILTER ELEMENT OUTER (2004 & UP)	108-3814	
	IN-LINE PLASTIC DIESEL FUEL FILTER (2002-07)	98-7612	
	IN-LINE METAL DIESEL FUEL FILTER (2002-07)	108-3828	
	DIESEL FUEL FILTER ELEMENT (2002-07)	98-9764	
	DIESEL FUEL FILTER ELEMENT (2008 & UP)	110-9049	
	IN-LINE BIO-DIESEL FUEL FILTER KIT	112-7836	
	BIO-DIESEL FUEL FILTER ELEMENT	110-9015	
	HYDRAULIC OIL FILTER ELEMENT AT PUMP	75-1310	
	HYDRAULIC OIL FILTER ELEMENT AT MANIFOLD	94-2621	
	OIL FILTER	93-2242	
	Groundsmaster 5900 5910	400 Hour Filter Kit	30041**
		ENGINE OIL FILTER	130-8860
		AIR FILTER ELEMENT INNER	115-8877
AIR FILTER ELEMENT OUTER		115-8887	
DIESEL FUEL FILTER ELEMENT AT ENGINE		117-2792	
DIESEL FUEL FILTER ELEMENT AT SEPARATOR		115-5471	
HYDRAULIC OIL FILTER MAIN ELEMENT		86-6110	
HYDRAULIC OIL FILTER PTO ELEMENT		75-1310	
FUEL FILTER (2016 & UP)		125-8752	
ENGINE FILTER (2016 & UP)		125-7025	
Groundsmaster 7200 7210	400 Hour Filter Kit (2007)	30037**	
	400 Hour Filter Kit (2008-2014)	30052**	
	MVP Filter Kit, Tier4 Final (2015 & Up)	30261**	
	ENGINE OIL FILTER	108-3841	
	AIR FILTER ELEMENT	108-3810	
	IN-LINE PLASTIC DIESEL FUEL FILTER (2007)	98-7612	
	IN-LINE METAL DIESEL FUEL FILTER (2007)	108-3828	
	DIESEL FUEL FILTER ELEMENT (2007)	98-9764	
	DIESEL FUEL FILTER ELEMENT (2008 & UP)	110-9049	
	BIO-DIESEL FUEL FILTER ELEMENT	110-9015	
	HYDRAULIC OIL FILTER ELEMENT - TRANS	108-5194	
	FILTER - FUEL/WATER SEPARATOR	125-2915	

*Not illustrated. **Not sold separately. See pages 20-33 for kit contents. Prices subject to change without notice. Please see your Parts Catalog or Master Parts Viewer to ensure the correct part is ordered, as the part you need may not be listed above. toro.com/parts

QUICK REFERENCE GUIDE

FILTERS

Aerator

Equipment	Description	Part No.
ProCore 648	INLINE FUEL FILTER	115-7854
	HYDRAULIC OIL FILTER	107-9531
Hydroject 3000 4000	400 Hour Maintenance Kit	30008**
	ENGINE OIL FILTER BREATHER ELEMENT	57-8580
	ENGINE OIL FILTER	108-3817
	AIR FILTER ELEMENT	82-0660
	IN-LINE GAS FUEL FILTER	71-5960
	HYDRAULIC OIL FILTER ELEMENT (3000 ONLY)	67-8110
	WATER FILTER PRE-FILTER ASSEMBLY	86-9100
	WATER FILTER PRE-FILTER BOWL	86-9120
	WATER FILTER ELEMENT PRE-FILTER	86-9140
	WATER FILTER ELEMENT STANDARD	86-8630
	WATER FILTER ELEMENT - 25 MICRON	80-9590
Hydroject 3010	ENGINE OIL FILTER	52 050 02-S
	AIR FILTER ELEMENT - PRIMARY	25 083 01 S
	AIR FILTER ELEMENT - SAFETY	25 083 04 S
	IN-LINE GAS FUEL FILTER	24 050 09 S
	HYDRAULIC OIL FILTER ELEMENT	67-8110
	WATER FILTER PRE-FILTER ASSEMBLY	86-9100
	WATER FILTER PRE-FILTER BOWL	86-9120
	WATER FILTER ELEMENT PRE-FILTER	86-9140
	WATER FILTER ELEMENT STANDARD	86-8630

Workman[®]

Equipment	Description	Part No.
Workman 1100 MD	400 Hour Filter Kit	30005**
	AIR FILTER ELEMENT	108-3811
	IN-LINE GAS FUEL FILTER	94-2690
Workman 2100 2110	ENGINE OIL FILTER	107-7817
	ENGINE OIL FILTER (2000-07)	842921
	AIR FILTER ELEMENT	108-3811
	IN-LINE GAS FUEL FILTER	94-2690
Workman MDX	400 Hour Filter Kit	30004**
	ENGINE OIL FILTER	107-7817
	AIR FILTER ELEMENT	108-3811
Workman 3100	IN-LINE GAS FUEL FILTER	94-2690
	ENGINE OIL FILTER	12 050 01-S
	ENGINE OIL FILTER BREATHER ELEMENT	24 050 10
	AIR FILTER ELEMENT - MAIN (1994-01)	47 083 03-S
	AIR FILTER ELEMENT - MAIN (2002 & UP)	24 083 03-S
	AIR FILTER ELEMENT - WRAPPER (1994-01)	24 083 02-S
	AIR FILTER ELEMENT - WRAPPER (2002 & UP)	24 083 05-S
	IN-LINE GAS FUEL FILTER (1993-99)	108-3831
	IN-LINE GAS FUEL FILTER (2000 & UP)	108-3854
	HYDRAULIC OIL FILTER ELEMENT (1994-03)	54-0110
	Workman 3120	ENGINE OIL FILTER
ENGINE OIL FILTER BREATHER ELEMENT		24 050 10
AIR FILTER ELEMENT - MAIN		47 083 03-S
AIR FILTER ELEMENT - WRAPPER		24 083 02-S
IN-LINE GAS FUEL FILTER		108-3831
Workman 3200	HYDRAULIC OIL FILTER ELEMENT	54-0110
	400 Hour Maintenance Kit	30017**
	ENGINE OIL FILTER (1993-94)	42-9030
	ENGINE OIL FILTER (1995-01)	108-3841
	ENGINE OIL FILTER (2002 & UP)	108-3842
	AIR FILTER ELEMENT (1993-98)	108-3808
	AIR FILTER SAFETY ELEMENT (1999-01)	98-2982
	GAS FUEL FILTER (1993-99)	108-3831
	IN-LINE GAS FUEL FILTER (2000 & UP)	108-3854
HYDRAULIC OIL FILTER ELEMENT (1993-03)	54-0110	

Workman[®] - continued

Equipment	Description	Part No.
Workman 3210 3220	ENGINE OIL FILTER	108-3841
	AIR FILTER ELEMENT	108-3811
	AIR FILTER SAFETY ELEMENT	98-2982
	IN-LINE GAS FUEL FILTER	108-3831
	HYDRAULIC OIL FILTER ELEMENT	54-0110
Workman 3300D 4300D	400 Hour Maintenance Kit (2002 & Up)	30006**
	ENGINE OIL FILTER (1993-01)	108-3841
	ENGINE OIL FILTER (2002 & UP)	108-3842
	AIR FILTER ELEMENT (1993-98)	108-3808
	AIR FILTER ELEMENT (1999 & UP)	108-3811
	AIR FILTER SAFETY ELEMENT (1999 & UP)	98-2982
	GAS FUEL FILTER ELEMENT SEPARATOR	63-8300
	GAS ELECTRIC FUEL PUMP FILTER (EFP)	43-2550
HYDRAULIC OIL FILTER ELEMENT (1993-03)	54-0110	
Workman 3310D 3220D	ENGINE OIL FILTER	108-3841
	AIR FILTER ELEMENT	108-3811
	AIR FILTER SAFETY ELEMENT	98-2982
	DIESEL FUEL FILTER ELEMENT SEPARATOR	63-8300
	DIESEL ELECTRIC FUEL PUMP FILTER (EFP)	43-2550
	HYDRAULIC OIL FILTER ELEMENT	54-0110
Workman 3420	ENGINE OIL FILTER	108-3841
	AIR FILTER ELEMENT	108-3811
	IN-LINE GAS FUEL FILTER	108-3831
	HYDRAULIC OIL FILTER ELEMENT	54-0110
Workman 4200	400 Hour Maintenance Kit (2002-07)	30017**
	ENGINE OIL FILTER (1995-01)	108-3841
	ENGINE OIL FILTER (2002 & UP)	108-3842
	AIR FILTER ELEMENT (1993-98)	108-3808
	AIR FILTER ELEMENT (1999 & UP)	108-3811
	AIR FILTER SAFETY ELEMENT (1999 & UP)	98-2982
	IN-LINE GAS FUEL FILTER (1993-99)	108-3831
	IN-LINE GAS FUEL FILTER (200 & UP)	108-3854
	HYDRAULIC OIL FILTER ELEMENT (1995-03)	54-0110
	ENGINE OIL FILTER	108-3847
Workman HD	ENGINE OIL FILTER	12 050 01-S
	AIR FILTER PRE-CLEANER	24 083 05-S
	AIR FILTER ELEMENT	24 083 03-S
	IN-LINE GAS FUEL FILTER	108-3854
	IN-LINE GAS FUEL FILTER	115-7854
	HYDRAULIC OIL FILTER ELEMENT	54-0110
	ENGINE OIL FILTER	108-3847
Workman HDX	400 Hour Maintenance Kit (2012 & Older)	30073**
	ENGINE OIL FILTER (2012 & OLDER)	108-3842
	ENGINE OIL FILTER (2013 & UP)	115-8189
	AIR FILTER ELEMENT (2012 & OLDER)	108-3811
	AIR FILTER ELEMENT (2013 & UP)	108-3810
	IN-LINE GAS FUEL FILTER	115-7854
	GAS FUEL FILTER	115-7818
	HYDRAULIC OIL FILTER	54-0110
Workman HDX-D	400 Hour Maintenance Kit (2012 & Older)	30068**
	ENGINE OIL FILTER	108-3842
	AIR FILTER ELEMENT	108-3811
	DIESEL FUEL FILTER ELEMENT - SEPARATOR	110-9049
Workman HDX-Auto	400 Hour Maintenance Kit	131-8276**
	ENGINE OIL FILTER	108-3847
	FUEL FILTER ELEMENT	115-7818
	IN-LINE FUEL FILTER	115-7854
Workman GTX	AIR FILTER ELEMENT	108-3811
	400 Hour Maintenance Kit	136-6280**
	AIR FILTER	108-3811
	FUEL FILTER	56-6360

QUICK REFERENCE GUIDE

FILTERS

Multi Pro®

Equipment	Description	Part No.
Multi Pro 1100	ENGINE OIL FILTER	12 050 01
	AIR FILTER	47 083 03-S
	GAS FUEL FILTER	24 050 02-S
Multi Pro 1200/1250/1750	1200/1250/1750 MVP Kit Filter/Screen Suction	131-3751**
	ENGINE OIL FILTER	108-3847
	AIR FILTER ELEMENT - MAIN	47 083 03-S
	AIR FILTER ELEMENT - WRAPPER	24 083 02-S
	IN-LINE GAS FUEL FILTER	24 050 02-S
Multi Pro 5200	HYDRAULIC OIL FILTER ELEMENT	54-0110
	ENGINE OIL FILTER	
	AIR FILTER ELEMENT	106-4904
	IN-LINE GAS FUEL FILTER	108-3854
	ENGINE OIL FILTER	108-3817
Multi Pro 5500	AIR FILTER ELEMENT	106-4904
	AIR FILTER ELEMENT - CAB	92-3814
	IN-LINE GAS FUEL FILTER	108-3854
	IN-LINE HYDRAULIC OIL FILTER	86-3010
Multi Pro 5600	ENGINE OIL FILTER	108-3817
	AIR FILTER ELEMENT	106-4904
	IN-LINE GAS FUEL FILTER	108-3854
	IN-LINE HYDRAULIC OIL FILTER	86-3010
Multi Pro 5700D	ENGINE OIL FILTER	108-3841
	AIR FILTER ELEMENT	108-3810
	IN-LINE PLASTIC DIESEL FUEL FILTER	98-7612
	IN-LINE METAL DIESEL FUEL FILTER	108-3828
	DIESEL FUEL FILTER ELEMENT (2004-07)	98-9764
	DIESEL FUEL FILTER ELEMENT (2008 & UP)	110-9049
	IN-LINE BIO-DIESEL FUEL FILTER KIT	112-7836
BIO-DIESEL ELEMENT KIT	110-9015	
Multi Pro 5800	IN-LINE HYDRAULIC OIL FILTER	86-3010
	ENGINE OIL FILTER	108-3841
	AIR FILTER ELEMENT	108-3810
	DIESEL FUEL FILTER ELEMENT	110-9049
	SEPARATOR FILTER ASSEMBLY	110-9044
	50 BLUE SUCTION HYDRAULIC OIL FILTER	100-8642
	HYDRAULIC OIL FILTER ELEMENT AT PUMP	75-1310
	GASOLINE FUEL FILTER ELEMENT	125-2902
	OIL FILTER	93-2242

Specialty Turf Equipment

Equipment	Description	Part No.
Sand Pro	AIR FILTER ELEMENT	108-3808
	IN-LINE GAS FUEL FILTER	108-3831
	HYDRAULIC OIL FILTER ELEMENT	23-9740
Sand Pro 2000 3000	AIR FILTER ELEMENT - MAIN	45 083 02
	AIR FILTER ELEMENT - WRAPPER	45 083 01
	AIR FILTER ELEMENT - REMOTE	108-3808
	IN-LINE GAS FUEL FILTER	108-3831
	HYDRAULIC OIL FILTER ELEMENT	23-9740
Sand Pro 2020 3020 5020	ENGINE OIL FILTER	107-7817
	AIR FILTER ELEMENT - MAIN	92-0527
	AIR FILTER ELEMENT - WRAPPER	272490S
	AIR FILTER ELEMENT - REMOTE	108-3811
	IN-LINE GAS FUEL FILTER	94-2690
HYDRAULIC OIL FILTER ELEMENT	23-9740	

Specialty Turf Equipment - continued

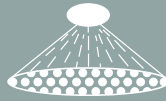
Equipment	Description	Part No.
Sand Pro 5000	ENGINE OIL FILTER	107-7817
	AIR FILTER ELEMENT - MAIN	92-0527
	AIR FILTER ELEMENT - WRAPPER	272490S
	AIR FILTER ELEMENT - REMOTE (1992-94)	108-3808
	AIR FILTER ELEMENT - REMOTE (1995 & UP)	108-3811
	IN-LINE GAS FUEL FILTER	94-2690
	HYDRAULIC OIL FILTER ELEMENT	23-9740
Sand/Infield Pro 3040 5040	400 Hour Maintenance Kit	30035**
	ENGINE OIL FILTER	107-7817
	AIR FILTER ELEMENT - REMOTE	108-3811
	IN-LINE GAS FUEL FILTER	94-2690
	HYDRAULIC OIL FILTER ELEMENT	54-0110
SandPro 2040Z	400 Hour Filter Maintenance Kit	08725**
	FILTER ELEMENT	114-3494
	INNER FILTER KIT	127-0381
	OIL FILTER	119-5852
	AIR FILTER	108-3811
	IN-LINE FUEL FILTER	115-7854
Trailer Sprayer 50T 80T	50 NOZZLE WATER FILTER	99-0853
Trailer Sprayer 300T	30 GREEN SUCTION WATER FILTER	100-6991
	50 BLUE SUCTION WATER FILTER	100-8642
	80 RED SUCTION WATER FILTER	100-6992
	PRESSURE WATER FILTER	100-6756
Rake-O-Vac 66"	ENGINE OIL FILTER	12-050-01
	ENGINE OIL FILTER BREATHER ELEMENT	24 050 01
	AIR FILTER ELEMENT - MAIN	47 083 03
	AIR FILTER ELEMENT - REMOTE	108-3808
	IN-LINE GAS FUEL FILTER	25 050 03
	ENGINE OIL FILTER	108-3847
Turf Sweeper 4800	ENGINE OIL FILTER (2001 & UP)	52 050 02-S
	AIR FILTER ELEMENT - MAIN (2001 & UP)	47 083 03
	AIR FILTER ELEMENT - WRAPPER (2001 & UP)	24 083 02-S
	IN-LINE GAS FUEL FILTER	108-3854
	HYDRAULIC OIL FILTER ELEMENT (1992-95)	01-317-0240
	HYDRAULIC OIL FILTER ELEMENT (1997 & UP)	23-9740
Top Dresser	DIESEL FUEL FILTER ELEMENT (2500)	86-3010
ProForce Debris Blower 800	ENGINE OIL FILTER	108-3847
	AIR FILTER ELEMENT - MAIN	24 083 03
	AIR FILTER ELEMENT - WRAPPER	24 083 05
	IN-LINE GAS FUEL FILTER	108-3854
Line Painter 1200	400 Hour Filter Maintenance Kit	30036**
	ENGINE OIL FILTER	108-3842
	AIR FILTER ELEMENT - MAIN	108-2604
	AIR FILTER ELEMENT - FOAM	108-2603
ProCore Core Processor	ENGINE OIL FILTER	842921
	AIR FILTER ELEMENT	108-3810
	GAS FUEL FILTER	695666
	ENGINE OIL FILTER	107-7817

1 CHOOSE YOUR NOZZLE

SYSTEMIC NOZZLES

OPEN BOOM

	EXCELLENT	VERY GOOD	GOOD
Herbicides			
Soil Incorporated	•		
Pre-Emergence	•		
Post-Emergence		•	
Fungicides		•	
Insecticides		•	
Liquid Fertilizer	•		
Drift	•		



Systemic nozzles provide excellent spray distribution through a wide angle, flat spray pattern. These nozzles are excellent at reducing spray drift.

AIC TeeJet® (Air Induction Flat Fan)

The AIC TeeJet® (Air Induction Flat Fan) nozzle is a good general purpose nozzle that can be used for both contact and systemic applications. The spray pattern is 110 degrees with tapered edges similar to a standard flat fan. This nozzle produces coarse air-filled droplets with a venturi air aspirator. The air-filled drops reduce spray drift but provide good contact coverage. Air Induction nozzles can be operated at higher spray pressures without creating excessive spray drift. Distribution AIC nozzles are best when used at pressures above 30 psi.

TurfJet Wide Angle Flat Spray

The TurfJet is a wide 130 degree angle nozzle with a tapered fan pattern. The TurfJet is best suited for systemic applications where distribution quality is the primary goal. The TurfJet creates extra coarse droplets and provides good drift control. Distribution quality is excellent at all pressures.



CONTACT NOZZLES

ANY BOOM

	EXCELLENT	VERY GOOD	GOOD
Herbicides			
Soil Incorporated			
Pre-Emergence			
Post-Emergence	•		•
Fungicides	•		•
Insecticides	•		•
Liquid Fertilizer		•	•
Drift			•



Contact nozzles provide excellent spray distribution over a wide range of pressures. These nozzles allow for better coverage at higher pressures.

Toro exclusive Air Induction Turbo Twin Jet in the 0.8, 1.0 and 1.5 sizes.



Air Induction Turbo TwinJet®

The Air Induction Turbo TwinJet® is an air induction style nozzle with two separate 110 degree spray patterns. One spray pattern is directed forward of vertical and the second pattern is directed rear of vertical. This nozzle creates medium and coarse droplets and is an excellent nozzle for contact applications where drift control is needed. The two independent spray patterns improve contact coverage by spraying the turf at two different angles.

XRC TeeJet® Flat Fan

The Standard XRC Flat Fan nozzle has a 110 degree tapered spray pattern and produces medium and fine droplets. Because of the smaller droplets the Standard XRC Flat Fan is best suited for contact applications where drift control is not needed.

	CONTACT PRODUCTS	SYSTEMIC PRODUCTS	DRIFT CONTROL
AIC	GOOD	EXCELLENT	EXCELLENT
AI Turbo TwinJet	EXCELLENT	GOOD	GOOD
TurfJet	POOR	EXCELLENT	EXCELLENT
XRC	EXCELLENT	GOOD	POOR



Tip Strainer

4

ORDER THE CORRECT CAPS, GASKETS AND TIP STRAINERS

	Cap	Gasket †	Tip Strainer
AIC	Included	40998	120-0698 or 120-0699
AI Turbo TwinJet	120-8570	40998	120-0698 or 120-0699
TurfJet	95-9186	40998	120-0698 or 120-0699
XRC	Included	40998	120-0698 or 120-0699

† Gaskets are included with the nozzles/caps. Order if extra gaskets are required.

3

Nozzle Selection Guide

REMEMBER TO FILL ALL THREE NOZZLES on your turret to complete a variety of applications.

2

SELECT THE DESIRED MAIN SUCTION LINE FILTER

Description	80 mesh	50 mesh	30 mesh
Part Number	100-6992	100-8662	100-6991

Multi Pro[®] Spray Nozzle Selection Guide

80 mesh 100-6992

50 mesh 100-8642
(Standard Equipment)

30 mesh 100-6991

Color Code	Nozzle Options	Toro Part#	Spray Pressure in PSI	Capacity 1 Nozzle in GPM	Flow oz per min	Gallons Per Acre - 20" Nozzle Spacing									Gallons per 1000 sq ft - 20" Nozzle Spacing							
						3 mph	3.5 mph	4 mph	4.5 mph	5 mph	5.5 mph	6 mph	6.5 mph	7 mph	2.5 mph	3 mph	3.5 mph	4 mph	4.5 mph	5 mph	5.5 mph	6 mph
Red 0.4 gpm*	AIC	120-0701	20	0.28	36	27.7	23.8	20.8	18.5	16.6	15.1	13.9	12.8	11.9	0.76	0.63	0.54	0.48	0.42	0.38	0.35	0.32
	AI Turbo TwinJet**	120-0708	30	0.35	45	34.7	29.7	26.0	23.1	20.8	18.9	17.3	16.0	14.9	0.95	0.79	0.68	0.60	0.53	0.48	0.43	0.40
	TurfJet**	95-9222	40	0.40	51	39.6	33.9	29.7	26.4	23.8	21.6	19.8	18.3	17.0	1.09	0.91	0.78	0.68	0.60	0.54	0.49	0.45
	XRC	117-5834	50	0.45	58	44.6	38.2	33.4	29.7	26.7	24.3	22.3	20.6	19.1	1.22	1.02	0.87	0.77	0.68	0.61	0.56	0.51
	Tip Strainer - 50	120-0699	60	0.49	63	48.5	41.6	36.4	32.3	29.1	26.5	24.3	22.4	20.8	1.33	1.11	0.95	0.83	0.74	0.67	0.61	0.56
Brown 0.5 gpm*	AIC	120-0702	20	0.35	45	34.7	29.7	26.0	23.1	20.8	18.9	17.3	16.0	14.9	0.95	0.79	0.68	0.60	0.53	0.48	0.43	0.40
	AI Turbo TwinJet**	120-0709	30	0.43	55	42.6	36.5	31.9	28.4	25.5	23.2	21.3	19.7	18.2	1.17	0.97	0.84	0.73	0.65	0.58	0.53	0.49
	TurfJet**	95-9223	40	0.50	64	49.5	42.4	37.1	33.0	29.7	27.0	24.8	22.9	21.2	1.36	1.13	0.97	0.85	0.76	0.68	0.62	0.57
	XRC	117-5835	50	0.56	72	55.4	47.5	41.6	37.0	33.3	30.2	27.7	25.6	23.8	1.52	1.27	1.09	0.95	0.85	0.76	0.69	0.63
	Tip Strainer - 50	120-0699	60	0.61	78	60.4	51.8	45.3	40.3	36.2	32.9	30.2	27.9	25.9	1.66	1.38	1.19	1.04	0.92	0.83	0.75	0.69
Gray 0.6 gpm*	AIC	120-0703	20	0.42	54	41.6	35.6	31.2	27.7	25.0	22.7	20.8	19.2	17.8	1.14	0.95	0.82	0.71	0.63	0.57	0.52	0.48
	AI Turbo TwinJet**	120-0710	30	0.52	67	51.5	44.1	38.6	34.3	30.9	28.1	25.7	23.8	22.1	1.41	1.18	1.01	0.88	0.79	0.71	0.64	0.59
	TurfJet**	95-9224	40	0.60	77	59.4	50.9	44.6	39.6	35.6	32.4	29.7	27.4	25.5	1.63	1.36	1.17	1.02	0.91	0.82	0.74	0.68
	XRC	117-5836	50	0.67	86	66.3	56.9	49.8	44.2	39.8	36.2	33.2	30.6	28.4	1.82	1.52	1.30	1.14	1.01	0.91	0.83	0.76
	Tip Strainer - 50	120-0699	60	0.73	93	72.3	62.0	54.2	48.2	43.4	39.4	36.1	33.4	31.0	1.99	1.65	1.42	1.24	1.10	0.99	0.90	0.83
White 0.8 gpm*	AIC	120-0704	20	0.57	73	56.4	48.4	42.3	37.6	33.9	30.8	28.2	26.0	24.2	1.55	1.29	1.11	0.97	0.86	0.78	0.70	0.65
	AI Turbo TwinJet	120-0711	30	0.69	88	68.3	58.6	51.2	45.5	41.0	37.3	34.2	31.5	29.3	1.88	1.56	1.34	1.17	1.04	0.94	0.85	0.78
	TurfJet**	95-9225	40	0.80	102	79.2	67.9	59.4	52.8	47.5	43.2	39.6	36.6	33.9	2.18	1.81	1.55	1.36	1.21	1.09	0.99	0.91
	XRC	117-5837	50	0.89	114	88.1	75.5	66.1	58.7	52.9	48.1	44.1	40.7	37.8	2.42	2.02	1.73	1.51	1.34	1.21	1.10	1.01
	Tip Strainer - 50	120-0699	60	0.98	125	97.0	83.2	72.8	64.7	58.2	52.9	48.5	44.8	41.6	2.67	2.22	1.90	1.67	1.48	1.33	1.21	1.11
Blue 1.0 gpm*	AIC	120-0705	20	0.71	91	70.3	60.3	52.7	46.9	42.2	38.3	35.2	32.4	30.1	1.93	1.61	1.38	1.21	1.07	0.97	0.88	0.80
	AI Turbo TwinJet	120-0712	30	0.87	111	86.1	73.8	64.6	57.4	51.7	47.0	43.1	39.8	36.9	2.37	1.97	1.69	1.48	1.31	1.18	1.08	0.99
	TurfJet**	95-9188	40	1.00	128	99.0	84.9	74.3	66.0	59.4	54.0	49.5	45.7	42.4	2.72	2.27	1.94	1.70	1.51	1.36	1.24	1.13
	XRC	117-5838	50	1.12	143	110.9	95.0	83.2	73.9	66.5	60.5	55.4	51.2	47.5	3.05	2.54	2.18	1.97	1.69	1.52	1.38	1.27
	Tip Strainer - 50	120-0699	60	1.22	156	120.8	103.5	90.6	80.5	72.5	65.9	60.4	55.7	51.8	3.32	2.77	2.37	2.07	1.84	1.66	1.51	1.38
Green 1.5 gpm*	AIC	120-0706	20	1.06	136	104.9	90.0	78.7	70.0	63.0	57.2	52.5	48.4	45.0	2.88	2.40	2.06	1.80	1.60	1.44	1.31	1.20
	AI Turbo TwinJet	120-0713	30	1.30	166	128.7	110.3	96.5	85.8	77.2	70.2	64.4	59.4	55.2	3.54	2.95	2.53	2.21	1.96	1.77	1.61	1.47
	TurfJet**	95-9226	40	1.50	192	148.5	127.3	111.4	99.0	89.1	81.0	74.3	68.5	63.6	4.08	3.40	2.91	2.55	2.27	2.04	1.85	1.70
	XRC	117-5839	50	1.68	215	166.3	142.6	124.7	110.9	99.8	90.7	83.2	76.8	71.3	4.57	3.81	3.26	2.86	2.54	2.28	2.08	1.90
	Tip Strainer - 50	120-0699	60	1.84	236	182.2	156.1	136.6	121.4	109.3	99.4	91.1	84.1	78.1	5.00	4.17	3.57	3.13	2.78	2.50	2.27	2.09
			70	1.98	253	196.0	168.0	147.0	130.7	117.6	106.9	98.0	90.5	5.39	4.49	3.85	3.37	2.99	2.69	2.45	2.24	

QUICK REFERENCE GUIDE

NOZZLES



Multi Pro Spray Nozzle Selection Guide

Color Code	Nozzle Options	Toro Part#	Spray Pressure	Flow in l/min Bar	Liters Per Hectare - 50 cm Spacing								
					4 km/h	5 km/h	6 km/h	7 km/h	8 km/h	9 km/h	10 km/h	12 km/h	14 km/h
Red 0.4 gpm*	AIC	120-0701	1.0	0.91	273	218	182	156	137	121	109	91.0	78.0
	AI Turbo TwinJet**	120-0708	1.5	1.12	336	269	224	192	168	149	134	112	96.0
	TurfJet**	95-9222	2.0	1.29	387	310	258	221	194	172	155	129	111
	XRC	117-5834	3.0	1.58	474	379	316	271	237	211	190	158	135
	Tip Strainer - 50	120-0699	4.0	1.82	546	437	364	312	273	243	218	182	156
			5.0	2.04	612	490	408	350	306	272	245	204	175
Brown 0.5 gpm*	AIC	120-0702	1.0	1.14	342	274	228	195	171	152	137	114	97.7
	AI Turbo TwinJet**	120-0709	1.5	1.39	417	334	278	238	209	185	167	139	119
	TurfJet**	95-9223	2.0	1.61	483	386	322	276	242	215	193	161	138
	XRC	117-5835	3.0	1.97	591	473	394	338	296	263	236	197	169
	Tip Strainer - 50	120-0699	4.0	2.27	681	545	454	389	341	303	272	227	195
			5.0	2.54	762	610	508	435	381	339	305	254	218
Gray 0.6 gpm*	AIC	120-0703	1.0	1.37	411	329	274	235	206	183	164	137	117
	AI Turbo TwinJet**	120-0710	1.5	1.68	504	403	336	288	252	224	202	168	144
	TurfJet**	95-9224	2.0	1.94	582	466	388	333	291	259	233	194	166
	XRC	117-5836	3.0	2.37	711	569	474	406	356	316	284	237	203
	Tip Strainer - 50	120-0699	4.0	2.74	822	658	548	470	411	365	329	274	235
			5.0	3.06	918	734	612	525	459	408	367	306	262
White 0.8 gpm*	AIC	120-0704	1.0	1.82	546	437	364	312	273	243	218	182	156
	AI Turbo TwinJet	120-0711	1.5	2.23	669	535	446	382	335	297	268	223	191
	TurfJet**	95-9225	2.0	2.58	774	619	516	442	387	344	310	258	221
	XRC	117-5837	3.0	3.16	948	758	632	542	474	421	379	316	271
	Tip Strainer - 50	120-0699	4.0	3.65	1095	876	730	626	548	487	438	365	313
			5.0	4.08	1224	979	816	699	612	544	490	408	350
Blue 1.0 gpm*	AIC	120-0705	1.0	2.28	684	547	456	391	342	304	274	228	195
	AI Turbo TwinJet	120-0712	1.5	2.79	837	670	558	478	419	372	335	279	239
	TurfJet**	95-9188	2.0	3.23	969	775	646	554	485	431	388	323	277
	XRC	117-5838	3.0	3.95	1185	948	790	677	593	527	474	395	339
	Tip Strainer - 50	120-0699	4.0	4.56	1368	1094	912	782	684	608	547	456	391
			5.0	5.10	1530	1224	1020	874	765	680	612	510	437
Green 1.5 gpm*	AIC	120-0706	1.0	3.42	1026	821	684	586	513	456	410	342	293
	AI Turbo TwinJet	120-0713	1.5	4.19	1257	1006	838	718	629	559	503	419	359
	TurfJet**	95-9226	2.0	4.83	1449	1159	966	828	725	644	580	483	414
	XRC	117-5839	3.0	5.92	1776	1421	1184	1015	888	789	710	592	507
	Tip Strainer - 50	120-0699	4.0	6.84	2052	1642	1368	1173	1026	912	821	684	586
			5.0	7.64	2292	1834	1528	1310	1146	1019	917	764	655

80 mesh 100-6992

50 mesh 100-8642
(Standard Equipment)

30 mesh 100-6991

* Recommended Valve Cal setting in Pro Control/XP: 46 for nozzles 0.2 gpm and 0.4 gpm. Use 23 for 0.5 gpm and higher.

** TurfJet and TwinJet Air nozzles are not compatible with the Toro Drift Reduction Boom Shroud. Application rates shown for nozzle selection purposes only. Verify actual rate before spraying. Speeds shown are for reference only. Always limit speed to maintain safe operation based on operating conditions.

TeeJet and TwinJet are registered trademarks of Spraying Systems Co.

QUICK REFERENCE GUIDE

TIRES

Greensmaster® - Walkers

Equipment	Description	Tread	Application	Part No.
Transport Wheel Kit	TIRE (12 X 3.25 - 6) 4-PLY	Block	-	65-7940
Transpro Trailer 80 / 100	TIRE (20 X 10 - 8) 4-PLY	Turf Mate	-	99-4506

Greensmaster® - Riders

Equipment	Description	Tread	Application	Part No.
Greensmaster 300	TIRE (18 X 9.5 - 8) 2-PLY	Smooth	Front & Rear	28-3680
Greensmaster 3000	TIRE (18 X 9.5 - 8) 2-PLY	Smooth	Front & Rear	28-3680
	TIRE (18 X 8.5 - 8) 4-PLY	Turf Traction	Front & Rear	119-3516
Greensmaster 3000D	TIRE (18 X 9.5 - 8) 2-PLY	Smooth	Front & Rear	28-3680
	TIRE (18 X 8.5 - 8) 4-PLY	Turf Traction	Front & Rear	119-3516
	TIRE (19 X 10.5 - 8) 2-PLY	Traction	Front & Rear	70-8500
Greensmaster 3050/3100/3150/3200	TIRE (18 X 9.5 - 8) 2-PLY	Smooth	Front & Rear	28-3680
	TIRE (18 X 8.5 - 8) 4-PLY	Turf Traction	Front & Rear	119-3516
Greensmaster 3200D	TIRE (18 X 9.5 - 8) 2-PLY	Smooth	Front & Rear	28-3680
Greensmaster 3250D	TIRE (19 X 10.5 - 8) 2-PLY	Traction	Front & Rear	70-8500
	TIRE (20 X 10 - 8) 4-PLY	Turf Mate	Front & Rear	99-4506
Greensmaster 3300 / 3400	TIRE (19 X 10.5) 4-PLY	Smooth	Front & Rear	120-2783

Reelmaster®

Equipment	Description	Tread	Application	Part No.
Reelmaster 216 / 216D	TIRE (18 X 8.5 - 8) 4-PLY	Turf Traction	Front	119-3516
	TIRE (18 X 6.5 - 8) 4-PLY (2WD)	Turf Traction	Rear	231-122
Reelmaster 2000D/2300D/2600D	TIRE (20 X 10 - 8) 4-PLY	Turf Mate	Front & Rear	99-4506
Reelmaster 3100D	TIRE (20 X 12 - 10) 4-PLY	Turf Trac R/S	Front	117-5125
	TIRE (20 X 10 - 10) 4-PLY	Turf Trac R/S	Front & Rear	115-1572
Reelmaster 3100D (2010 - Current)	TIRE (20 X 12 - 10) 4-PLY	Turf Traction	Front	117-5125
	TIRE (20 X 10 - 10) 4-PLY	Turf Traction	Rear	115-1572
Reelmaster 223D	TIRE (26 X 12 - 12) 4-PLY	Turf Traction	Front	231-134
Reelmaster 5100D/5300D	TIRE (26 X 12 - 12) 4-PLY	Turf Traction	Front	231-134
Reelmaster 5200D/5400D	TIRE (26 X 12 - 12) 4-PLY	Turf Traction	Front	231-134
	TIRE (26.5 X 14 - 12) 2-PLY	Ultra Trac	Front	117-5196
	TIRE (20 X 10 - 10) 6-PLY	Turf Traction	Rear	86-5910
Reelmaster 5500D	TIRE (26.5 X 14 - 12) 2-PLY	Ultra Trac	Front	117-5196
	TIRE (20 X 10 - 10) 6-PLY	Turf Traction	Rear	86-5910
Reelmaster 5210	TIRE (24 X 13 - 12) 6-PLY (2006-MID 2008)	Ultra Trac	Front	110-5132
	TIRE (24 X 13 - 12) 4-PLY (MID 2008 & UP)	Ultra Trac	Front	95-2638
	TIRE (20 X 10 - 10) 6-PLY (2006)	Turf Traction	Rear	86-5910
	TIRE (20 X 10 - 10) 4-PLY (2007 & UP)	Turf Trac R/S	Rear	115-1572
Reelmaster 5010-H/5410/5510/5610	TIRE (26.5 X 14 - 12) 2-PLY	Ultra Trac	Front	117-5196
	TIRE (20 X 12 - 10) 4-PLY	Turf Trac R/S	Rear	117-5125
	TIRE (20 X 12 - 10) 4-PLY	Smooth	Rear	127-2796 [†]
	TIRE (26.5 X 14 - 12) 4-PLY	Smooth	Front	133-2940 [†]
Reelmaster 6500D/6700D	TIRE (29 X 14 - 15) 6-PLY	Ultra Trac	Front	95-3465
	TIRE (29 X 14 - 15) 6-PLY	Ultra Trac	Front	95-3465
	TIRE (20 X 10 - 10) 6-PLY	Turf Traction	Rear	86-5910
Reelmaster 450D/4500D	TIRE (31 X 13.5 - 15) 4-PLY	Turf Traction	Front	63-4480
	TIRE (23 X 10.5 - 12) 6-PLY	Turf Traction	Rear	69-9880
Reelmaster 335D	TIRE (23 X 10.5 - 12) 6-PLY	Turf Traction	Front	69-9880
	TIRE (20 X 8 - 10) 6-PLY	Turf Traction	Rear	74-5560
Reelmaster 3500D	TIRE (26 X 12 - 12) 8-PLY	Turf Traction	Front	86-5900
	TIRE (20 X 10 - 10) 6-PLY	Turf Traction	Rear	86-5910
Reelmaster 3550D/3555/3575	TIRE (22 X 12 - 12) 4-PLY	Smooth	Front & Rear	120-2114
	TIRE (22 X 12 - 12) 4-PLY	Turf Traction	Front & Rear	121-7924
Reelmaster 4000D	TIRE (31 X 13.5 - 15) 4-PLY	Turf Traction	Front	63-4480
	TIRE (23 X 10.5 - 12) 6-PLY	Turf Traction	Rear	69-9880
Reelmaster 7000D	TIRE (20 X 12 - 10) 4-PLY	Turf Traction	Rear	117-5125
	TIRE (31 X 13.5 - 15) 4-PLY	Turf Traction	Front	63-4480

[†]Recommended for flat turf conditions

Gangmower

Equipment	Description	Tread	Application	Part No.
Reelmaster Transport Frame	TIRE (11 - 15) 6-PLY	Ribbed	-	56-7960
Reelmaster Reel	TIRE (16 X 4 - 12) SEMI-PNEUMATIC	Chevron	-	12-9390
	TIRE (16 X 4.8 - 8) 2-PLY PNEUMATIC	Stud	-	231-3
	TIRE (18 X 4 - 12) SEMI-PNEUMATIC	Chevron	-	51-2550

Groundsmaster[®]

Equipment	Description	Tread	Application	Part No.
Groundsmaster 52/62/220	TIRE (20 X 8 - 10) 4-PLY	Turf Traction	Front	231-103
Groundsmaster 220D	TIRE (23 X 8.5 - 12) 4-PLY	Turf Traction	Front	231-101
	TIRE (23 X 10.5 - 12) 4-PLY - WIDE WHEEL OPT.	Turf Saver	Front	231-95
	TIRE (16 X 6.5 - 8) 4-PLY RIBBED (2WD)	Ribbed	Rear	231-105
Groundsmaster 223D	TIRE (23 X 8.5 - 12) 4-PLY (STANDARD)	Turf Traction	Front	231-101
	TIRE (23 X 10.5 - 12) 4-PLY - WIDE WHEEL OPT.	Turf Saver	Front	231-95*
	TIRE (23 X 10.5 - 12) 6-PLY - WIDE WHEEL OPT.	Turf Traction	Front	69-9880*
	TIRE (16 X 6.5 - 8) 4-PLY RIBBED (2WD)	Ribbed	Rear	231-105
	TIRE (18 X 6.5 - 8) 4-PLY (4WD)	Turf Traction	Rear	231-122
Groundsmaster 224/225	TIRE (23 X 8.5 - 12) 4-PLY (224 STANDARD)	Turf Traction	Front	231-101
	TIRE (23 X 8.5 - 12) 4-PLY (225 STANDARD)	Turf Traction	Front	95-3348
	TIRE (23 X 10.5 - 12) 4-PLY - WIDE WHEEL OPT.	Turf Saver	Front	231-95*
	TIRE (23 X 10.5 - 12) 6-PLY - WIDE WHEEL OPT.	Turf Traction	Front	69-9880*
	TIRE (16 X 6.5 - 8) 4-PLY	Ribbed	Rear	231-105
Groundsmaster 228D	TIRE (23 X 8.5 - 12) 4-PLY (STANDARD)	Turf Traction	Front	95-3348
	TIRE (23 X 8.5 - 12) 6-PLY	Turf Traction	Front	231-138
	TIRE (16 X 6.5 - 8) 4-PLY (2WD)	Ribbed	Rear	231-105
	TIRE (18 X 6.5 - 8) 4-PLY (4WD)	Turf Traction	Rear	231-122
Groundsmaster 322D/325D	TIRE (23 X 8.5 - 12) 4-PLY (STANDARD)	Turf Traction	Front	231-101
	TIRE (23 X 8.5 - 12) 6-PLY	Turf Traction	Front	231-138
	TIRE (23 X 10.5 - 12) 4-PLY - WIDE WHEEL OPT.	Turf Saver	Front	231-95*
	TIRE (23 X 10.5 - 12) 6-PLY - WIDE WHEEL OPT.	Turf Traction	Front	69-9880*
	TIRE (16 X 6.5 - 8) 4-PLY RIBBED (2WD)	Ribbed	Rear	231-105
	TIRE (18 X 6.5 - 8) 4-PLY (4WD)	Turf Traction	Rear	231-122
Groundsmaster 327	TIRE (23 X 8.5 - 12) 4-PLY (STANDARD)	Turf Traction	Front	231-101
	TIRE (23 X 10.5 - 12) 4-PLY - WIDE WHEEL OPT.	Turf Saver	Front	231-95*
	TIRE (23 X 10.5 - 12) 6-PLY - WIDE WHEEL OPT.	Turf Traction	Front	69-9880*
	TIRE (16 X 6.5 - 8) 4-PLY	Ribbed	Rear	231-105
Groundsmaster 328D	TIRE (23 X 8.5 - 12) 4-PLY (STANDARD)	Turf Traction	Front	95-3348
	TIRE (23 X 10.5 - 12) 4-PLY - WIDE WHEEL OPT.	Turf Saver	Front	231-95*
	TIRE (23 X 10.5 - 12) 6-PLY - WIDE WHEEL OPT.	Turf Traction	Front	69-9880*
	TIRE (16 X 6.5 - 8) 4-PLY (2WD)	Ribbed	Rear	231-105
	TIRE (18 X 6.5 - 8) 4-PLY (4WD)	Turf Traction	Rear	231-122
Groundsmaster 345	TIRE (23 X 8.5 - 12) 4-PLY (STANDARD)	Turf Traction	Front	95-3348
	TIRE (23 X 10.5 - 12) 4-PLY - WIDE WHEEL OPT.	Turf Saver	Front	231-95*
	TIRE (23 X 10.5 - 12) 6-PLY - WIDE WHEEL OPT.	Turf Traction	Front	69-9880*
	TIRE (16 X 6.5 - 8) 4-PLY	Ribbed	Rear	231-105
Groundsmaster 360	TIRE (23 X 10.5 - 12) 6-PLY	Turf Trac	Front & Rear	121-9072
Groundsmaster 455D	TIRE (26 X 12 - 12) 8-PLY	Turf Traction	Front	86-5900
	TIRE (26 X 12 - 12) 6-PLY	Multi Trac C/S	Front	99-5434
	TIRE (20 X 10 - 10) 6-PLY	Turf Traction	Rear	86-5910
	TIRE (20 X 10 - 10) 6-PLY	Multi Trac C/S	Rear	94-5236
Groundsmaster 580D	TIRE (31 X 13.5 - 15) 8-PLY (STANDARD)	Turf Traction	Front	69-9800
	TIRE (23 X 10.5 - 12) 6-PLY	Turf Traction	Rear	69-9880
Groundsmaster 3000	TIRE (25 X 10.5 - 15) 6-PLY	Turf Trac R/S	Front	93-5431
3000D	TIRE (26.5 X 14 - 12) 2-PLY - WIDE WHEEL OPT.	Ultra Trac	Front	117-5196
	TIRE (24 X 13 - 12) 4-PLY	Ultra Trac	Front	95-2638
	TIRE (20 X 8 - 10) 6-PLY	Turf Traction	Rear	74-5560
	TIRE (18 X 8.5 - 10) 4-PLY	Multi Trac C/S	Rear	95-2625
Groundsmaster 3500D / 3505D	TIRE (20 X 12 - 10) 4-PLY	Turf Trac R/S	Front	117-5125
	TIRE (20 X 10 - 10) 4-PLY	Turf Trac R/S	Rear	115-1572

*Do not use with 72" rear discharge cutting deck

*Not illustrated. **Not sold separately. See pages 20-33 for kit contents. Prices subject to change without notice. Please see your Parts Catalog or Master Parts Viewer to ensure the correct part is ordered, as the part you need may not be listed above. toro.com/parts

QUICK REFERENCE GUIDE

TIRES

Groundmaster[®] - continued

Equipment	Description	Tread	Application	Part No.
Groundmaster 3280D	TIRE (23 X 9.5 - 12) 4-PLY	Multi Trac C/S	Front	117-0823
	TIRE (23 X 10.5 - 12) 4-PLY - WIDE WHEEL OPT.	Turf Saver	Front	231-95
	TIRE (23 X 10.5 - 12) 6-PLY - WIDE WHEEL OPT.	Turf Traction	Front	69-9880
	TIRE (16 X 6.5 - 8) 4-PLY (2WD)	Ribbed	Rear	231-105
	TIRE (18 X 6.5 - 8) 4-PLY (4WD)	Turf Traction	Rear	231-122
Groundmaster 3320	TIRE (23 X 9.5 - 12) 4-PLY	Multi Trac C/S	Front	117-0823
	TIRE (23 X 10.5 - 12) 4-PLY - WIDE WHEEL OPT.	Turf Saver	Front	231-95
	TIRE (23 X 10.5 - 12) 6-PLY - WIDE WHEEL OPT.	Turf Traction	Front	69-9880
	TIRE (16 X 6.5 - 8) 4-PLY	Ribbed	Rear	231-105
Groundmaster 4000D / 4100D	TIRE (26 X 12 - 12) 6-PLY	Multi Trac C/S	Front	99-5434
	TIRE (20 X 10 - 10) 6-PLY	Multi Trac C/S	Rear	94-5236
	TIRE (26 X 12 - 12) 6-PLY	Multi Trac C/S	Front	119-8313
	TIRE (26 X 12 - 12) 6-PLY	High Traction	Front	136-4442
	TIRE (20 X 10 - 10) 6-PLY	High Traction	Rear	136-4440
	TIRE (26.5 X 14 - 12) 2-PLY	Ultra Trac	Front	117-5196
Groundmaster 4300D	TIRE (20 X 12 - 10) 4-PLY	Turf Trac R/S	Rear	117-5125
	TIRE (29 X 14 - 15) 6-PLY	Ultra Trac	Front	95-3465
Groundmaster 4500D / 4700D	TIRE (20 X 12 - 10) 4-PLY	Turf Trac R/S	Rear	117-5125
	TIRE (29 X 14 - 15) 6-PLY	Turf	Front	119-0023
	TIRE (29 X 12.5 - 15) 10-PLY	Multi Trac C/S	Front	114-4861
Groundmaster 5900 / 5910	TIRE (23 X 10.5 - 12) 6-PLY	Multi Trac C/S	Rear	121-9072
	TIRE (24 X 12 - 12) 6-PLY	Lug	Rear	103-6771

Aerator

Equipment	Description	Tread	Application	Part No.
Hydroject 3000/3010	TIRE (18 X 9.5 - 8) 2-PLY	Smooth	Front	28-3680
	TIRE (18 X 9.5 - 8) 2-PLY	Smooth	Rear	28-3680
Hydroject 4000 (Tongue Hitch)	TIRE (16 X 6.5 - 8) 4-PLY	Ribbed	-	231-105
Hydrotote Trailer	TIRE (15 X 6 - 6) 2-PLY	Ribbed	-	108-9955
ProCore 648 Aerator	TIRE (19 X 10.5 - 8) 2-PLY	Traction	Front	70-8500
	TIRE (19 X 10.5 - 8) 2-PLY	Traction	Rear	70-8500
ProCore Processor		Turf Traction	-	114-7741

Workman[®]

Equipment	Description	Tread	Application	Part No.
Workman 1100	TIRE (20 X 10 - 8) 4-PLY (2001-2003)	Turf Trac	Front	99-7300
	TIRE (22 X 9.5 - 10) 4-PLY (2004-2005)	Turf Trac	Front & Rear	127-7435
	TIRE (22.5 X 10 - 8) 4-PLY (2001-2003)	Turf Trac R/S	Rear	108-7007
Workman MD / MDE	TIRE (22 X 9.5 - 10) 4-PLY	Turf Trac	Front & Rear	127-7435
Workman 2100	TIRE (22 X 9.5 - 10) 4-PLY (2004-2005)	Turf Trac	Front & Rear	127-7435
	TIRE (22.5 X 10 - 8) 4-PLY (1999-2003)	Turf Trac R/S	Rear	108-7007
Workman 2110	TIRE (22 X 9.5 - 10) 4-PLY	Turf Trac R/S	Front	104-7064
	TIRE (24 X 12 - 10) 4-PLY	Turf Trac R/S	Rear	131-6667
	TIRE (24 X 12 - 10) 4-PLY	Turf Trac R/S	Rear	131-6667
	TIRE (22 X 9.5 - 10) 4-PLY	Multi Trac C/S	Front & Rear	127-7435
	TIRE (22.5 X 10 - 8) 4-PLY	Turf Trac R/S	Front & Rear	108-7007
	TIRE (20 X 10 - 8) 4-PLY	Turf	Front & Rear	131-8318
Workman MDX/MDX-D	TIRE (22 X 9.5 - 10) 4-PLY	Turf Trac	Front	127-7435
	TIRE (24 X 12 - 10) 4-PLY	Turf Trac R/S	Rear	131-6667
Workman Series 3000 4000	TIRE (20 X 10 - 10) 4-PLY	Ribbed	Front	94-5261
	TIRE (20 X 10 - 10) 6-PLY (4WD)	Multi Trac C/S	Front	94-5236
	TIRE (20 X 10 - 10) 6-PLY	Chevron	Front	112-3163
	TIRE (23 X 10.5 - 12) 4-PLY	Turf Trac R/S	Rear	87-3290
	TIRE (24 X 13 - 12) 6-PLY (1993-2001)	Chevron	Rear	110-5132

Workman® - continued

Equipment	Description	Tread	Application	Part No.
Workman HD / HDX HDX-D / HDX-Auto	TIRE (20 X 9 - 12) 6-PLY	Tuff Trac	Front	131-6670
	TIRE (24 X 12 - 12) 6-PLY	Multi Trac C/S	Rear	131-6673
	TIRE (24 X 13 - 12) 6-PLY	Ultra Trac	Rear	110-5132
	TIRE (23 X 10.5 - 12) 4-PLY	Saw Tooth	Rear	99-1091
Workman Boom Enclosure	TIRE (15 X 6 - 6) 2-PLY	Ribbed	-	108-9955
Workmaster	TIRE (18 X 8.5 - 8) 4-PLY	Ribbed	Front	119-6343
	TIRE (23 X 8.5 - 12) 4-PLY	Turf Traction	Rear	231-101

Multi Pro®

Equipment	Description	Tread	Application	Part No.
Multi Pro 1100 / 1200 / 1250	TIRE (18 X 9.5 - 8) 4-PLY	Smooth	Front	110-5133
	TIRE (18 X 9.5 - 8) 4-PLY	Ribbed	Front	106-9691
	TIRE (24 X 13 - 12) 6-PLY	Ultra Trac	Rear	110-5132
Multi Pro 1750	Tire (20 x 10 - 10) 4-Ply	Smooth	Front	120-7639
	Tire (24 x 13 - 12) 6-Ply	Turf	Rear	110-5132
Multi Pro 5200 / 5500 / 5600 / 5700D	TIRE (23 X 10.5 - 12) 4-PLY	Turf Trac R/S	Front	87-3290
	TIRE (26.5 X 14 - 12) 2-PLY	Ultra Trac	Rear	117-5196
Multi Pro 5800D	TIRE (23 X 10.5 - 12) 4-PLY	Turf Trac	Front	119-6021
	TIRE (26.5 X 14 - 12) 2-PLY	Turf Trac	Rear	117-5196
Multi Pro Boom Enclosure	TIRE (15 X 6 - 6) 2-PLY	Ribbed	-	108-9955

Specialty Turf Equipment

Equipment	Description	Tread	Application	Part No.
Rak-O-Vac Sweeper	TIRE (11L-15SL)	Ribbed	-	119-6225
Turf Sweeper 4800	TIRE (18 X 8.5 - 8) 4-PLY	Ribbed	Front	119-6343
	TIRE (18 X 9.5 - 8) 4-PLY	Turf Traction	Rear	99-2996
Debris Blower 800	TIRE (20 X 10 - 8) 4-PLY	Turf Trac R/S	-	99-7300
Pro Force Debris Blower	TIRE (18.2 X 8.5 - 8) 4-PLY	Turf Traction	-	119-3009
Topdresser 2300	TIRE (18 X 8.5 - 8) 4-PLY	Ribbed	-	119-6343
Topdresser 2500	TIRE (18 X 9.5 - 8) 4-PLY	Multi Ribbed	-	106-9691
300T Trailer Sprayer	TIRE (29 X 14 - 15) 6-PLY	Ultra Trac	-	95-3465
ProCore Core Processor	TIRE (18 X 9.5 - 8) 6-PLY	Turf Traction	-	114-7741

Sand Pro® / Infield Pro

Equipment	Description	Tread	Application	Part No.
Sand Pro	TIRE (22 X 11 - 8) 2-PLY	Knobby	Front & Rear	85-8290
Sand Pro 2000	TIRE (22 X 11 - 8) 2-PLY	Knobby	Front & Rear	85-8290
Sand Pro 2020 / 3000 / 3020 / 5000 / 5020	TIRE (22 X 11 - 8) 2-PLY	Knobby	Front & Rear	85-8290
	TIRE (22 X 11 - 8) 2-PLY	Turf Trac R/S	Front & Rear	121-9072
Sand/Infield Pro 3040 / 5040	TIRE (22 X 11 - 8) 2-PLY	Knobby	Front & Rear	85-8290
	TIRE (22 X 11 - 8) 2-PLY	Turf Trac R/S	Front & Rear	121-9072
	TIRE (22 X 11 - 8) 2-PLY	Smooth	Front & Rear	110-3364
Sand Pro 2040Z	TIRE (16 X 7.5 - 8) 4-PLY	Turf Traction	Front	125-6406
	TIRE (25 X 12 - 9) 3-PLY	Turf Traction	Rear	125-6465
GreensPro® 1200	TIRE (16 X 6.5-8) 4-PLY	Turf	-	111-5755

QUICK REFERENCE GUIDE

ROLLERS

Groundsmaster[®]

Equipment	Description	Part No.
Groundsmaster 3500D/3505D/4000D/ 4100D/4500D/4700D/ 5900D/5910/ 7200/ 7210/360	ROLLER ASM - UHMW*	131-7800
	BALLAST KIT - UHMW ROLLER, 27" CU	136-2881
	BALLAST KIT - UHMW ROLLER, 22" CU	136-2915
	ROLLER ASSEMBLY	136-2908
	ROLLER AND BRACKET KIT	112-5291
	ROLLER ASSEMBLY (2007 & UP)	112-5265
	CENTER DECK ROLLER	93-4803
	CENTER DECK ROLLER	68-6710
	PLASTIC ROLLER (GM 4500D/4700D)	105-9816
	ROLLER (GM 3500D/4300/4500D/4700D)	104-1093
	ROLLER (GM 4000D/4100D/7200/7210)	29-4820
	Groundsmaster 200/300 Series	REAR ROLLER
FRONT ROLLER		68-6710
FRONT ROLLER (GM 300 SERIES)		31-0750
WHEEL GAGE (GM 300 SERIES)		93-4747

Greensmaster[®] - Walkers

Equipment	Description	Length (inches)	Part No.
Greensmaster 800 1000/1600 2000/2600	WIDE WIEHLE ROLLER ASSEMBLY (GR 800)	19.1	98-7264
	NARROW WIEHLY ROLLER ASSEMBLY (GR 800)	19.1	99-6240
	WIDE WIEHLE ROLLER ASSEMBLY - CAST (GR 1000)	22.15	71-1550
	WIEHLE ROLLER ASSEMBLY - ALUMINUM (GR 1000)	22.15	88-6790
	WIEHLE ROLLER ASSEMBLY - 0.20" SPACING (GR 1000/2000)	22.15	99-6241
	WIEHLE ROLLER ASSEMBLY (GR 1600/2600)	27.31	93-9039
	SWAGED ROLLER ASSEMBLY (GR 1000)	22.15	52-3590
	FULL ROLLER ASSEMBLY (GR 1000)	22.15	52-3170
	FULL ROLLER ASSEMBLY (GR 1600)	27.31	95-0930
	FULL ROLLER ASSEMBLY (GR 800)	19.1	104-2640
	FULL ROLLER ASSEMBLY 21" (GR 1000)	22.15	104-2642
Greensmaster Flex 18/21	FULL REAR ROLLER ASSEMBLY (FLEX 21)	22.15	115-7356
	WIEHLE ROLLER ASSEMBLY - WIDE SPACING (FLEX 21)	22.15	115-7386
	WIEHLE ROLLER ASSEMBLY - NARROW SPACING (FLEX 21)	22.15	115-7360
	WIEHLE ROLLER TUBE - NARROW SPACING	22.15	104-0540
	2.5" FULL ROLLER ASSEMBLY (FLEX 18)	19.15	120-9611
	TUBE - 2" FULL ROLLER (FLEX 18)	19.15	110-2220
	WIEHLE ROLLER ASSEMBLY - WIDE SPACING (FLEX 18)	19.15	120-9609
	TUBE - WIEHLE NARROW SPACING (FLEX 18)	19.15	110-2221
	TUBE - WIEHLE WIDE SPACING (FLEX 18)	19.15	110-2227
	AUXILIARY ROLLER ASSEMBLY	N/A	108-4339
	ROLLER - AUXILIARY	N/A	108-4334
	WIDE WIEHLE ROLLER KIT	19.15	120-9609
	STEEL ROLLER	22.15	107-3509
	FULL ROLLER ASSEMBLY (FLEX 21)	22.15	115-7356

Greensmaster[®] - Riders

Equipment	Description	Length (inches)	Part No.
Greensmaster 3/300/3000 Style Cutting Units*	REAR ROLLER ASSEMBLY	N/A	52-3120
	REAR ROLLER ASSEMBLY	21.62	21-8450
	WIEHLE ROLLER ASSEMBLY (1989 & OLDER)	22.15	52-3200
	WIEHLE ROLLER ASSEMBLY - CAST (1990 & UP)	22.15	71-1550
	WIEHLE ROLLER ASSEMBLY - ALUMINUM (1990 & UP)	22.15	88-6790
	SWAGED ROLLER	22.15	52-3590
	FULL ROLLER ASSEMBLY	22.15	52-3170
	STEEL ROLLER	22.15	107-3509

QUICK REFERENCE GUIDE

ROLLERS

Greensmaster® - Riders - continued

Equipment	Description	Length (inches)	Part No.
Greensmaster 3200/3250 Cutting Units	REAR ROLLER ASSEMBLY (4 BOLT ADJUSTMENT CUTTING UNIT)	20.75	95-2910
	ANTI-SCALP ROLLER GR 3250	N/A	99-4210
	FULL ROLLER ASSEMBLY	22.15	120-9595
	WIEHLE ROLLER TUBE	22.15	104-0540
	WIEHLE ROLLER ASSEMBLY (0.20" SPACING)	22.15	115-7360
	WIEHLE ROLLER ASSEMBLY (0.93" SPACING)	22.15	115-7386
	STEEL ROLLER (3250)	22.15	107-3509
Greensmaster Dethatcher/Tri-Roller/Spiker Assemblies	ROLLER ASSEMBLY	19.38	95-5943
	ANTI-SCALP ROLLER	N/A	99-4210
	REAR ROLLER ASSEMBLY (SPIKER/TRI-ROLLER)	20.75	99-1615
Greensmaster 3300/3320/3400/3420	REAR FULL ROLLER ASSEMBLY	22.15	119-4093
	STEEL ROLLER	22.15	107-3509

Reelmaster®

Equipment	Description	Length (inches)	Part No.
Reelmaster 216/216D/2000D/2300D/2600D/3100D	27" ROLLER ASSEMBLY	N/A	61-0410
	32" SOLID ROLLER ASSEMBLY	N/A	94-4982
	27" WIEHLE ROLLER TUBE	27.78	104-1386-03
	32" WIEHLE ROLLER TUBE	32.4	104-1389-03
	27" WIEHLE ROLLER ASSEMBLY (1993- 2002)	27.64	92-1846
	27" WIEHLE ROLLER ASSEMBLY (2003 AND UP)	27.75	104-1385
	27" VERTICUTTER ROLLER RM 3100D (2006 AND UP)	N/A	108-4293
	27" FULL FRONT ROLLER ASSEMBLY (2010 & UP)	27.00	117-3759
	27" REAR ROLLER ASSEMBLY (2010 & UP)	27.00	117-3756
	27" PLASTIC SHOULDER ROLLER (2010 & UP)	27.00	119-0631
	32" WIEHLE ROLLER ASSEMBLY (1993 - 2002)	32.4	94-4993
	32" WIEHLE ROLLER ASSEMBLY (2003 AND UP)	32.4	104-1388
	32" FULL FRONT ROLLER ASSEMBLY (2010 & UP)	N/A	114-9384
	32" WIEHLE ROLLER ASSEMBLY (2010 & UP)	N/A	117-0990
32" PLASTIC SHOULDER ROLLER ASM (2010 & UP)	32.62	119-0640	
Reelmaster 335D/3500D/450D/4500D	REAR ROLLER ASSEMBLY	30.1	59-5630
	WIEHLE ROLLER ASSEMBLY (34.25" ROLLER)	2.75	62-6130
	WIEHLE ROLLER ASSEMBLY (33.25" ROLLER)	33.25	84-6080
	FRONT ROLLER ASSEMBLY (33.25" ROLLER)	30.1	59-5630
Reelmaster 223D/5100D/5200D/5300D/ 5500D	WIEHLE ROLLER ASSEMBLY	23.22	75-1520
	PREMIUM REAR ROLLER ASSEMBLY	19.24	94-0694
	ROLLER ASSEMBLY	21.872	100-2536
Reelmaster Dethatching Reel Parts 223D/5100D/5200D/5300D/5500D	REAR ROLLER ASSEMBLY	23	114-5404
	WIEHLE ROLLER ASSEMBLY	23.22	75-1520
Reelmaster 5010-H/5210/5410/5510/5610	2.5" SHORT REAR ROLLER ASSEMBLY (RM 5210/5410 2006-07)	20.5	114-5406
	2.5" LONG REAR ROLLER ASSEMBLY (RM 5210/5410 2006-07)	23	114-5404
	3" LONG REAR ROLLER ASSEMBLY (RM 5210/5410 2006 & UP)	23	114-5415
	2.5" SHORT REAR ROLLER ASSEMBLY (RM 5210/5410 2008 & UP)	20.5	114-5406
	3" SHORT REAR ROLLER ASSEMBLY (RM 5210/5410 2008 & UP)	20.5	114-5417
	2.5" LONG REAR ROLLER ASSEMBLY (RM 5210/5410 2008 & UP)	23	114-5404
	2.5" SHORT REAR ROLLER TUBE (RM 5210/5410 2008 & UP)	17.875	115-8293-03
	3" LONG REAR ROLLER TUBE (RM 5210/5410 2008 & UP)	20.375	115-8292-03
	3" FULL FRONT ROLLER ASSEMBLY (RM 5210/5410/5510/5610 2006-07)	24.5	110-9605
	3" FULL FRONT ROLLER ASSEMBLY (RM 5210/5410/5510/5610 2008 & UP)	24.5	114-5412
	2.5" FULL FRONT ROLLER ASSEMBLY	24.5	114-5419
	3" FRONT FULL ROLLER TUBE (RM 5210/5410/5510/5610 2006-07)	24.5	110-9612-03
	2.5" FULL FRONT ROLLER TUBE (RM 5210/5410/5510/5610 2008 & UP)	21.875	115-8295-03
	PLASTIC SHOULDER FRONT ROLLER ASSEMBLY (2008 & UP)	24.5	114-5421
	FRONT PLASTIC SHOULDER ROLLER TUBE (2008 & UP)	24.5	114-5422
	PLASTIC WIEHLE FRONT ROLLER ASSEMBLY	24.5	114-5400
	PLASTIC WIEHLE FRONT ROLLER ASSEMBLY (2008 & UP)	24.5	114-5401
	KICKSTAND ROLLER (VERTICUTTER)	N/A	108-4293

QUICK REFERENCE GUIDE

ROLLERS

Reelmaster[®] - continued

Equipment	Description	Length (inches)	Part No.
Reelmaster 5500D/6500D/6700D	3" FULL REAR LONG ROLLER ASSEMBLY	23	114-5415
	3" FULL ROLLER ASSEMBLY	23	99-5749
	REAR ROLLER ASSEMBLY 2.5" X 20.5"	20.5	98-7966
	ROLLER TUBE ASSEMBLY	N/A	94-4335
	WIEHLE ROLLER ASSEMBLY	23.82	99-8686
	WIEHLE ROLLER TUBE ASSEMBLY	23	100-9905-03
	WIEHLE ROLLER ASSEMBLY	23	100-9906
Reelmaster 6500D/6700D DPA Cutting Unit and Verticutter Rollers	SHOULDER WIEHLE ROLLER ASSEMBLY	23	99-8675
	3" LONG REAR ROLLER ASSEMBLY (2007 & UP)	23	114-5415
	2.5" LONG REAR ROLLER ASSEMBLY	23	114-5404
	3" SHORT REAR ROLLER ASSEMBLY (2008 & UP)	20.5	114-5417
	3" LONG REAR ROLLER TUBE (2008)	20.375	115-8292-03
	3" LONG REAR ROLLER TUBE (2009 & UP)	20.375	115-8292-03
	PLASTIC WIEHLE FRONT ROLLER ASSEMBLY	24.5	114-5400
	FRONT PLASTIC WIEHLE ROLLER TUBE (2008 & UP)	24.5	114-5401
	PLASTIC SHOULDER FRONT ROLLER ASSEMBLY (2008 & UP)	24.5	114-5421
	FRONT PLASTIC SHOULDER ROLLER TUBE (2008 & UP)	24.5	114-5422
	3" FULL FRONT ROLLER ASSEMBLY (2007)	24.5	110-9605
	3" FULL FRONT ROLLER ASSEMBLY	24.5	114-5412
	3" FULL FRONT ROLLER TUBE (2007)	24.5	110-9612-03
	2.5" FULL FRONT ROLLER TUBE (VERTICUTTER)	24.5	114-5419
Reelmaster 7000D	PLASTIC SHOULDER ROLLER ASSEMBLY	28	119-0630
	PLASTIC WIEHLE ROLLER ASSEMBLY	28	117-0960
	FULL FRONT ROLLER ASSEMBLY	28	114-9383
	3" REAR ROLLER ASSEMBLY (DPA)	28	112-8915
	SHORT REAR ROLLER ASSEMBLY	20.5	119-4286
	PLASTIC SHOULDER ROLLER	32.6	119-0641
	3" ROLLER TUBE ASSEMBLY	20.375	115-8292-03
	PLASTIC WIEHLE ROLLER (27")	28	117-0959
	PLASTIC WIEHLE ROLLER (32")	32.6	117-0989
	27" FULL FRONT ROLLER ASSEMBLY (2011 & UP)	27.00	117-3759
	27" REAR ROLLER ASSEMBLY (2011 & UP)	27.00	117-3756
	27" PLASTIC SHOULDER ROLLER (2011 & UP)	27.00	119-0631
	32" FULL FRONT ROLLER ASSEMBLY (2010 & UP)	N/A	114-9384
	32" WIEHLE ROLLER ASSEMBLY (2010 & UP)	N/A	117-0990
32" PLASTIC SHOULDER ROLLER ASM (2010-2017)	32.62	119-0640	
Reelmaster 3550/3555/3575	PLASTIC WIEHLE ROLLER ASSEMBLY (18")	20.5	112-1704
	FULL FRONT ROLLER ASSEMBLY (18")	20.5	112-1732
	PLASTIC SHOULDER ROLLER ASSEMBLY (18")	20.5	112-1733
	PLASTIC WIEHLE ROLLER ASSEMBLY (22")	24.5	114-5400
	FULL FRONT ROLLER ASSEMBLY (22")	24.5	114-5412
	PLASTIC SHOULDER ROLLER ASSEMBLY (22")	24.5	114-5421
	SHORT REAR ROLLER ASSEMBLY (18")	17	112-1708
	LONG REAR ROLLER ASSEMBLY (18")	19	112-1728
	LONG REAR ROLLER ASSEMBLY (22" - 2.5" DIA)	23	114-5404
	SHORT REAR ROLLER ASSEMBLY (22" - 2.5" DIA)	20.5	114-5406

Other

Equipment	Description	Part No.
ProCore	REAR ROLLER KIT (PROCORE 648)	110-4444
	REAR ROLLER KIT (PROCORE SR75)	121-6903-03
	ROLLER ASSEMBLY (PROCORE 864)	110-4252-03
SandPro	ROLLER ASSEMBLY (SANDPRO 3040/5040)	136-2908
	ROLLER DRIVE ASSEMBLY (SANDPRO 3040/5040)	104-1093
ProStripe	REAR ROLLER (PROSTRIPE 560)	560031W

GREENSMASTER®



74 Greensmaster 1000/1600/2000/2600

82 Greensmaster Flex™ & eFlex® 18/21

88 Greensmaster 3100

90 Greensmaster 3150/3120

92 Greensmaster 3250

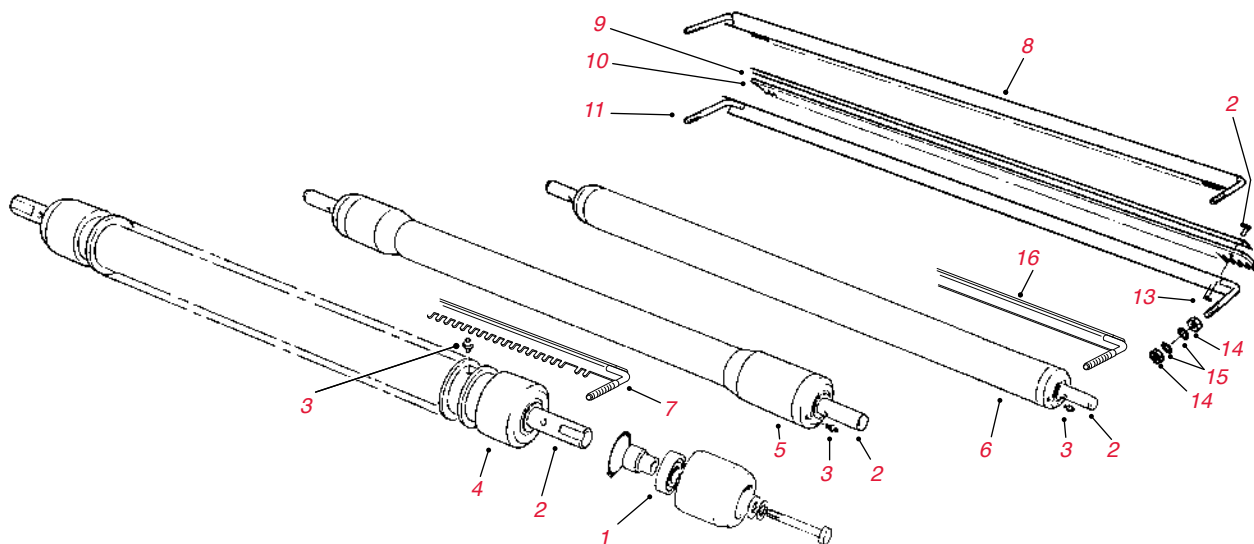
107 Greensmaster TriFlex™ & TriFlex™ Hybrid

GREENSMaster — WALKERS

GREENSMaster® 1000 / 1600 / 2000 / 2600

Greensmaster 1000 / 1600 / 2000 / 2600

Ref. No.	Part No.	Description	Qty.
1	251-190	ORDER 251-293	2
1	251-293	BEARING - AUXILIARY ROLLER (GR 1000)	2
2	52-3210	ORDER 52-3180	2
2	52-3180	BEARING ROLLER	2
3	302-5	GREASE FITTING	2
4	98-7264	WIDE WIEHLE ROLLER ASSEMBLY (GR 800)	1
4	99-6240	NARROW WIEHLE ROLLER ASSEMBLY (GR 800)	1
4	71-1550	WIDE WIEHLE ROLLER ASSEMBLY - CAST (GR 1000)	1
4	88-6790	WIEHLE ROLLER ASSEMBLY - ALUMINUM (GR 1000)	1
4	99-6241	WIEHLE ROLLER ASSEMBLY - 0.20" SPACING (GR 1000/2000)	1
4	93-9039	WIEHLE ROLLER ASSEMBLY (GR 1600/2600)	1
*	107-1589**	Roller Rebuild MVP Kit	A/R
5	10-5000	ORDER 52-3590	1
5	21-6470	ORDER 52-3590	1
5	52-3590	SWAGED ROLLER ASSEMBLY (GR 1000)	1
*	107-1588**	Roller Rebuild MVP Kit	A/R
6	21-6440	ORDER 52-3170	1
6	52-3170	FULL ROLLER ASSEMBLY (GR 1000)	1
6	95-0930	FULL ROLLER ASSEMBLY (GR 1600)	1
6	98-5917	ORDER 104-2640	1
6	104-2640	FULL ROLLER ASSEMBLY (GR 800)	1
6	104-2642	FULL ROLLER ASSEMBLY 21" (GR 1000)	1
8	33-1000	SCRAPER BRUSH (GR 1000)	1
10	8-2530	URETHANE COMB	1
11	11-0070	SCRAPER COMB (GR 1000)	1
*	3249-3	SCREW	11
13	3296-9	NUT	11
14	3219-1	NUT	4
15	3254-8	LOCK WASHER	4
16	65-8360-01	ROLLER SCRAPER - SMOOTH (GR 1000)	1



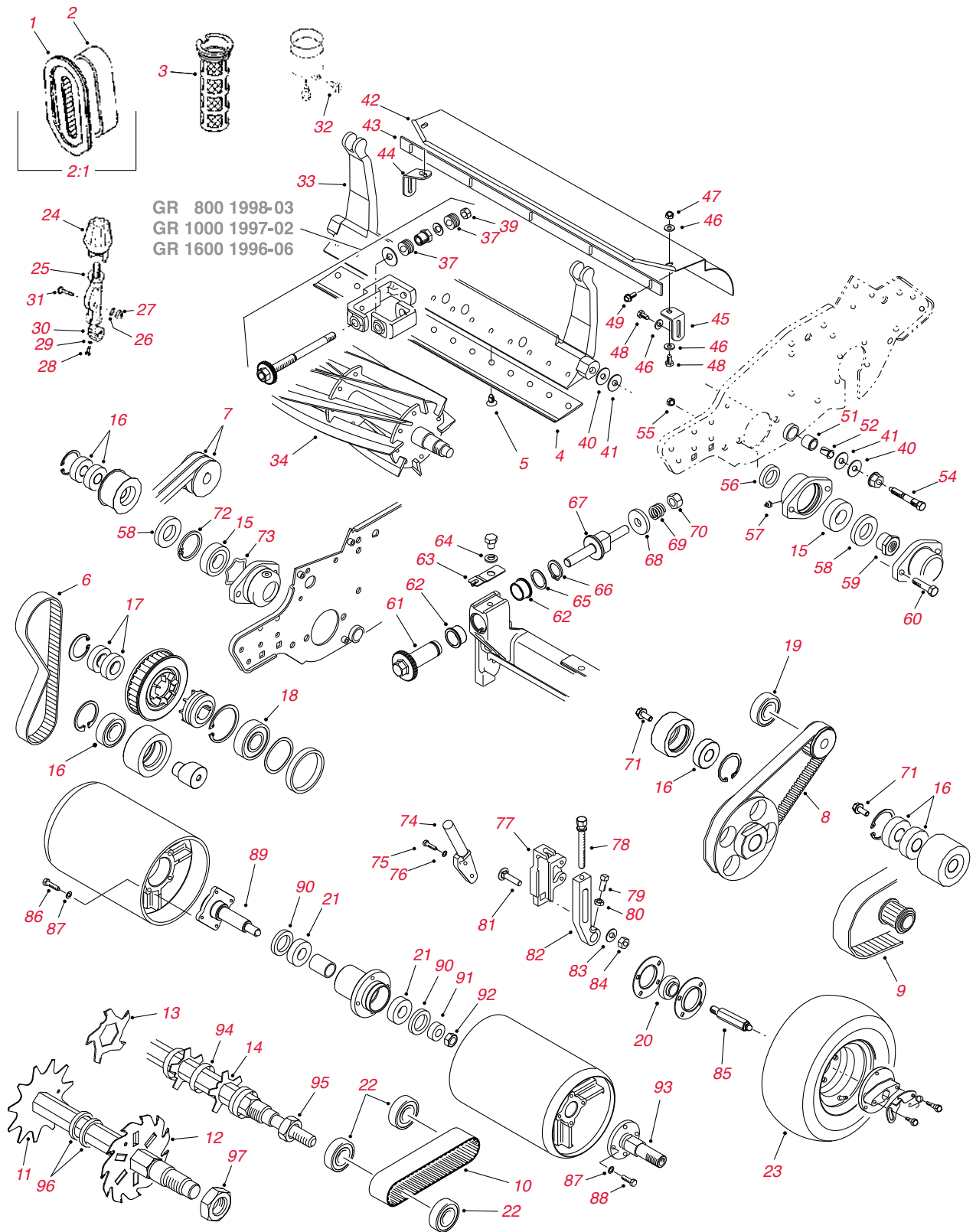
GREENSMASTER — WALKERS
GREENSMASTER[®] 1000 / 1600 / 2000 / 2600

Greensmaster 1000 / 1600 / 2000 / 2600 - continued

Ref. No.	Part No.	Description	Qty.
*	93-8636	ELEMENT - AIR FILTER	1
*	93-8637	PRE CLEANER - AIR FILTER	1
*	30065**	Filter & Spark Plug MVP Kit	A/R
*	94-6826	FILTER - FUEL	1
*	95-1811	V-BELT - TRANSMISSION TO CLUTCH	1
*	254-68	BEARING CONE	2
*	254-67	BEARING CUP	2
*	253-120	SEAL	2
*	4-2219	REEL	1
*	119-4151	BEDKNIFE SCREW	6
*	88-8990	BEDKNIFE - HIGH TOURNAMENT-CUT	1
*	88-9000	BEDKNIFE - LOW TOURNAMENT-CUT	1
*	95-3147	BEDKNIFE - MICRO CUT	1
*	5-1382	ROLLER ASSEMBLY	1
*	104-9838	GRIP-FOAM (GR 2000/2600 - 2008-2011)	2
*	88-7840	PULLEY AND DRIVE ASM	1
*	94-5879	CABLE - CLUTCH	1

GREENSMMASTER — WALKERS

GREENSMMASTER® 1000 / 1600 / 2000 / 2600

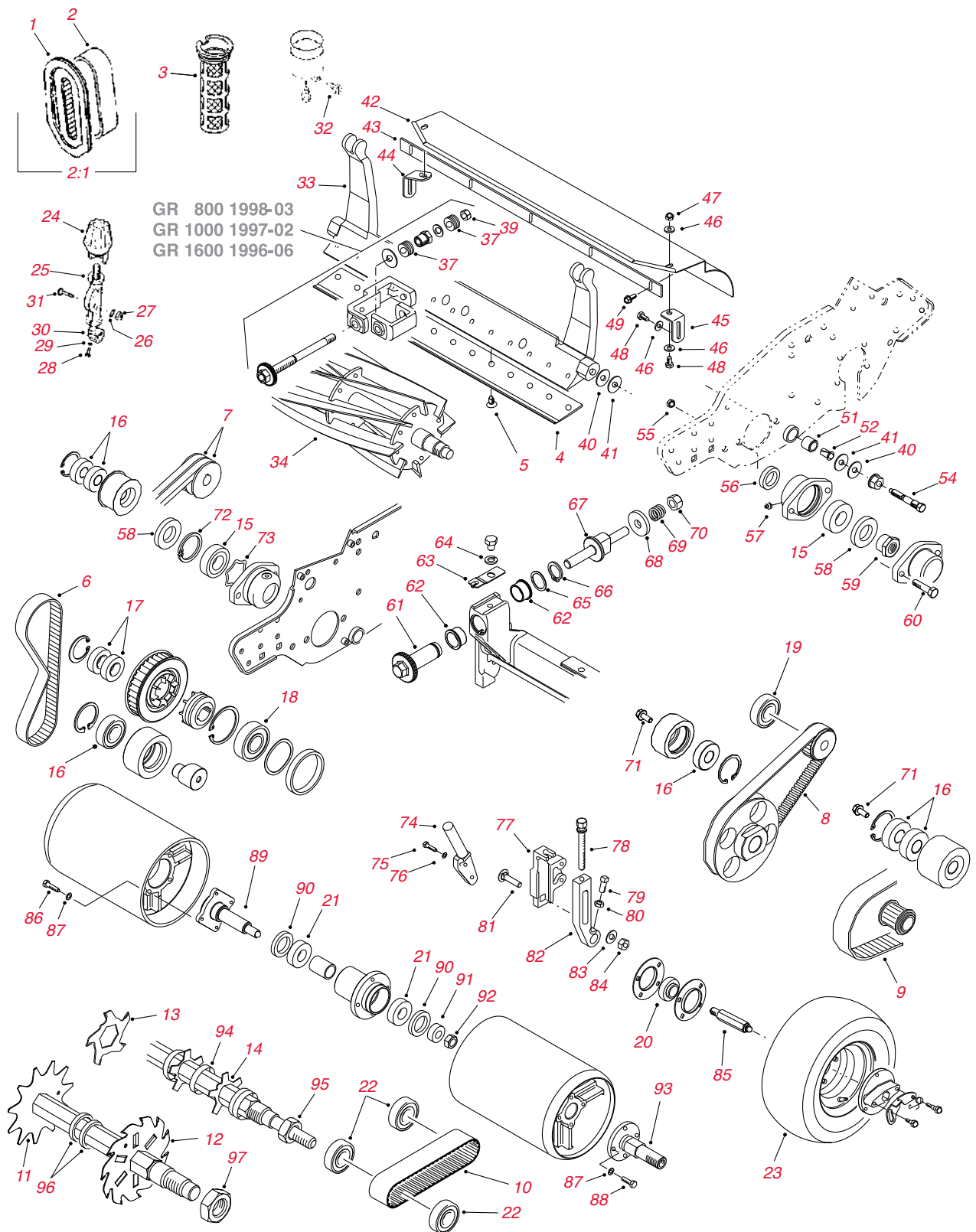


Greensmaster 1000 / 1600 / 2000 / 2600 - continued

Ref. No.	Part No.	Description	Qty.
1	93-8636	ELEMENT - AIR (1995 - 2011)	1
2	93-8637	PRE CLEANER - AIR (1995- 2011)	1
*	30065**	Filter & Spark Plug MVP Kit (2004-2011)	A/R
2:1	121-0618	ELEMENT SET (2012 & Up)	1
*	121-0547	SPARK-PLUG (2012 & Up)	1
*	30097**	Filter & Spark Plug MVP Kit (2012 & Up)	A/R
3	94-6826	FILTER - FUEL SCREEN (GR 800/1000/1600 UP TO 2011)	1
3	121-0685	FILTER - FUEL (GR 800/1000/1600 2012 & Up)	1
3	93-8684	FILTER - FUEL SCREEN (GR 1000 1995-MID 1996)	1
4	98-7260	BEDKNIFE - TOURNAMENT-CUT (GR 800)	1
4	98-7261	BEDKNIFE - MICRO CUT (GR 800)	1
4	93-4263	BEDKNIFE - TOURNAMENT-CUT (GR 1000/2000/1010)	1
4	115-1881	BEDKNIFE - TOURNAMENT-CUT - EDGEMAX (GR 1000/2000/1010)	1
4	63-8470	ORDER 93-4264	1
4	93-4264	BEDKNIFE - LOW-CUT (GR1000/2000/1010)	1
4	65-8250	ORDER 93-4262	1
4	93-4262	BEDKNIFE - MICRO CUT (GR 1000/2000/1010)	1
4	115-1880	BEDKNIFE - MICRO CUT - EDGEMAX (GR 1000/2000/1010)	1
4	93-9015	BEDKNIFE - LOW-CUT (GR 1600/2600)	1
4	94-5885	BEDKNIFE - TOURNAMENT-CUT (GR 1600/2600)	1
4	104-2646	BEDKNIFE - HIGH-CUT (GR1600/2600)	1
4	107-8181	BEDKNIFE - FAIRWAY-CUT (GR1600/2600)	1
4	112-9275	BEDKNIFE - MICRO CUT (GR1600/2600)	1
*	108-4303	BEDKNIFE - 21" MICRO CUT EXTENDED	1
*	108-4302	BEDKNIFE - 21" TOURNAMENT CUT EXTENDED	1
*	94-6392	BEDKNIFE - 21" HIGH CUT	1
*	63-8610	BEDKNIFE - 21" FAIRWAY CUT	1
*	117-1548	BEDKNIFE - 26" TOURNAMENT CUT - EXDGEMAX	1
5	57-4910	ORDER 119-4151	13
5	119-4151	BEDKNIFE SCREW	13
6	65-6200	BELT - REEL DRIVE	1
7	92-9218	V-BELT (SET OF 2) - COUNTERSHAFT (GR 800/1000 95 UP,1600)	1
8	65-6210	BELT - DRUM DRIVE ASSEMBLY	1
9	65-9080	BELT - INTER COUNTERSHAFT ASSEMBLY	1
10	65-9700	BELT - GROOMER DRIVE (GR 800/1000/1600)	1
11	17-1590	BLADE - DETHATCHER (STD)	35
12	106-5422	BLADE - DETHATCHER (1MM-CARBIDE TIPPED)	35
12	106-6355	BLADE - DETHATCHER (2MM-CARBIDE TIPPED)	35
13	110-2393	BLADE GROOMER (CARBIDE TIPPED - 1998 & UP)	41
14	70-1170	BLADE - GROOMER (1991-97)	41
14	95-5719	BLADE - GROOMER (1998 & UP)	41
15	251-342	BEARING - REEL	1
16	38-7820	BEARING - BALL (IDLERS)	7
17	251-336	BEARING - BALL	2
18	251-318	BEARING - BALL	1
19	251-338	BEARING - BALL	2
20	251-337	BEARING - BALL (GR 1000 DRUM DRIVE SHAFT - 1990-92)	2
20	88-7880	BEARING - BALL	2
21	251-257	BEARING BALL (1990-99)	2
21	251-82	BEARING - BALL (GR 2000 & UP)	2
22	251-327	BEARING - BALL (GROOMER)	5
23	65-7940	TIRE (12 X 3.25 - 6) 4-PLY TRANSPORT WHEEL KIT	2
24	10-5040	ORDER 65-8600	2
24	65-8600	KNOB - ADJUSTMENT (GR 1000)	2
25	10-5060	BRACKET - H.O.C. (GR 1000)	2
26	3256-23	WASHER	2
27	3296-29	LOCKNUT	2
28	321-4	SCREW - CAP HEX HD	2
29	3253-3	LOCK WASHER	2
30	65-9500	SCREW - ADJUSTMENT	2
31	3230-5	BOLT	2

GREENSMMASTER — WALKERS

GREENSMMASTER® 1000 / 1600 / 2000 / 2600

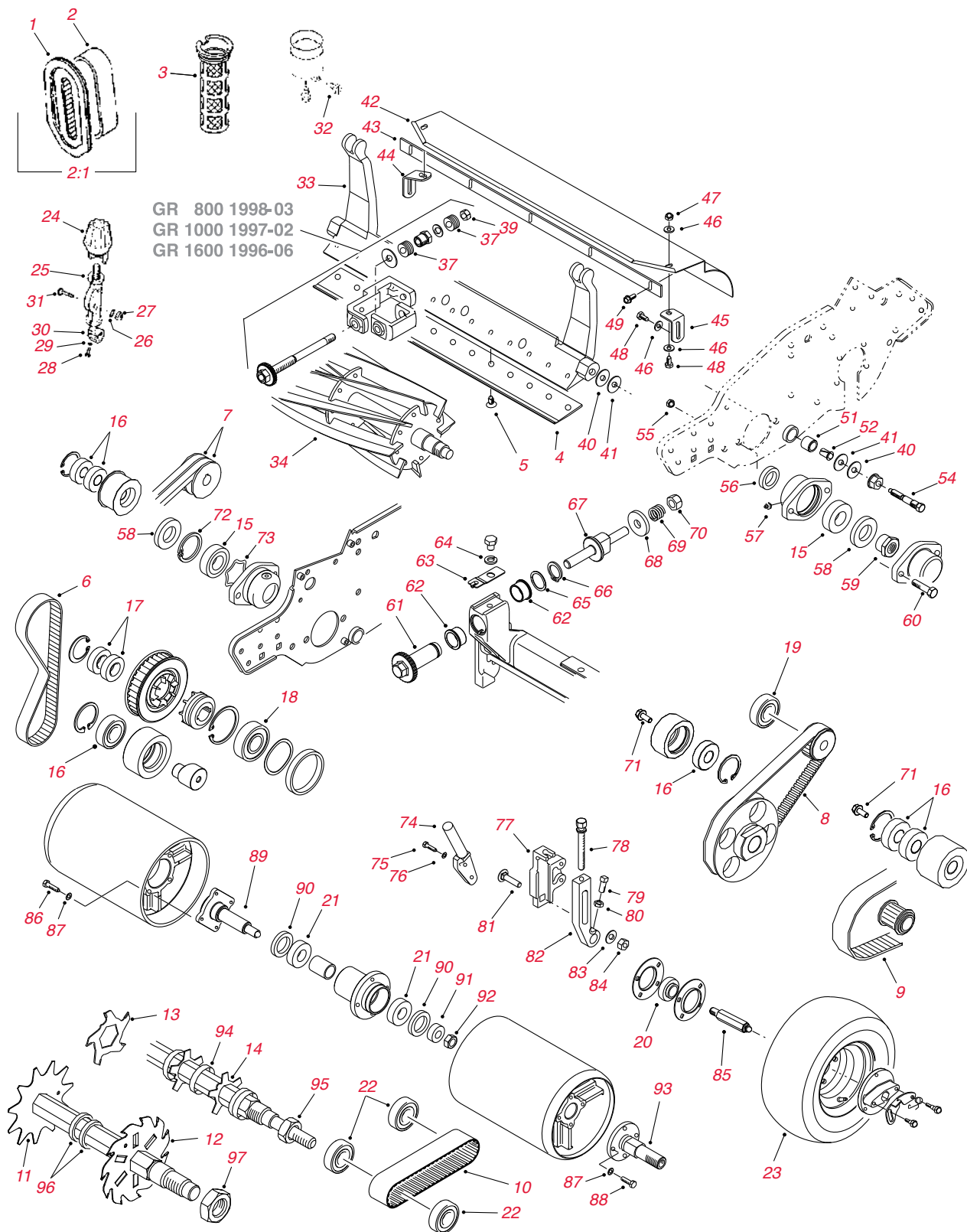


Greensmaster 1000 / 1600 / 2000 / 2600 - continued

Ref. No.	Part No.	Description	Qty.
31	112-9279-03	BEDBAR - AGGRESSIVE (GR 1000/1010 2012 & after)	1
31	120-2682-01	BEDBAR (GR 800 2012 & after)	1
32	93-8626	SCREW - CARB BOWL (1995 & UP)	1
33	93-6053-01	BEDBAR (GR 1000) (2000-2008)	1
33	93-9049-01	BEDBAR (GR 1600)	1
	93-9029	ORDER 95-0900	1
	98-5919	ORDER 127-2160	
34	127-2160	REEL - 11 BLADE (5" DIA - GR 800)	1
34	132-7353	EDGESERIES REEL - 11 BLADE (5" DIA - GR 800 CUTTING UNIT 04054 ES)	1
34	132-7354	EDGESERIES REEL - 14 BLADE (5" DIA - GR 800 CUTTING UNIT 04054 ES)	1
	93-6087	ORDER 127-2181	
34	127-2181	REEL - 8 BLADE (5" DIA - GR 1000/1010/2000 - CUTTING UNIT 04034/04052/04034)	1
34	132-7312	EDGESERIES REEL - 8 BLADE (5" DIA - GR 1000/1010/2000 - CUTTING UNIT 04036/04052/04038ES/04055ES)	1
	93-6097	ORDER 127-2182	
34	127-2182	ORDER 132-7313	1
34	132-7313	EDGESERIES REEL - 11 BLADE (5" DIA - GR 1000/1010/2000 - CUTTING UNIT 04036/04052/04034/04038ES/04055ES)	1
	117-1449	ORDER 127-2183	1
34	127-2183	REEL - 14 BLADE (5" DIA - GR 1000/1010/2000 - CUTTING UNIT 04036/04052/04034)	1
34	132-7314	EDGESERIES REEL -14 BLADE (5" DIA - GR 1000/1010/2000 - CUTTING UNIT 04036/04052/04034/04038ES/04055ES)	1
	95-0900	ORDER 127-2206	
34	127-2206	REEL - 8 BLADE (5" DIA - GR 1600/1610/2600 - CUTTING UNIT 04037/04060/04035)	1
34	132-7361	EDGESERIES REEL- 8 BLADE (5" DIA - GR 1600/1610/2600 - CUTTING UNIT 04037/04060/04035/04039ES/04056ES)	1
	112-9276	ORDER 127-2207	1
34	127-2207	REEL - 11 BLADE (5" DIA - GR 1600/1610/2600 - CUTTING UNIT 04037/04060/04035)	1
34	132-7362	EDGESERIES REEL - 11 BLADE (5" DIA - GR 1600/1610/2600 - CUTTING UNIT 04037/04060/04035/04039ES/04056ES)	1
37	93-9043	WASHER - BELLEVILLE	32
39	3296-48	NUT - HEX	2
40	52-2860	WASHER	4
41	52-2900	WASHER	4
42	98-5918	GRASS SHIELD (GR 800)	1
42	93-6069	GRASS SHIELD (GR 1000)	1
42	112-9471	GRASS SHIELD (GR 1000/1010)	1
42	110-7370	GRASS SHIELD (GR 1600/1610/2600)	1
43	36-7260	CUTOFF BAR (GR 1000/1010/2000)	1
43	94-5879	CUTOFF BAR (GR 1600/1610/2600)	1
43	98-5933	CUTOFF BAR (GR 800)	1
44	65-6460	BRACKET - RH	1
45	65-6450	BRACKET - LH	1
46	3256-22	WASHER	6
47	3296-42	NUT - LOCK	2
*	3296-45	NUT- LOCK, NI	1
48	321-3	SCREW - CAP HEX HD	4
49	32144-73	ORDER 104-2065	5
49	104-2065	SCREW - SELF TAPPING	5
51	63-9510	RUBBER BUSHING	2
54	52-2890	BUSHING	2
54	65-6270	ORDER 119-4050	
54	119-4050	BOLT - BEDBAR	2
55	3296-39	SCREW - CAP HEX HD	2
56	253-96	SEAL - INNER	1
57	302-5	GREASE FITTING	1
58	253-163	SEAL - OUTER	1
59	92-7302	NUT - BEARING LOCK	1

GREENSMMASTER — WALKERS

GREENSMMASTER® 1000 / 1600 / 2000 / 2600



GREENSMaster — WALKERS

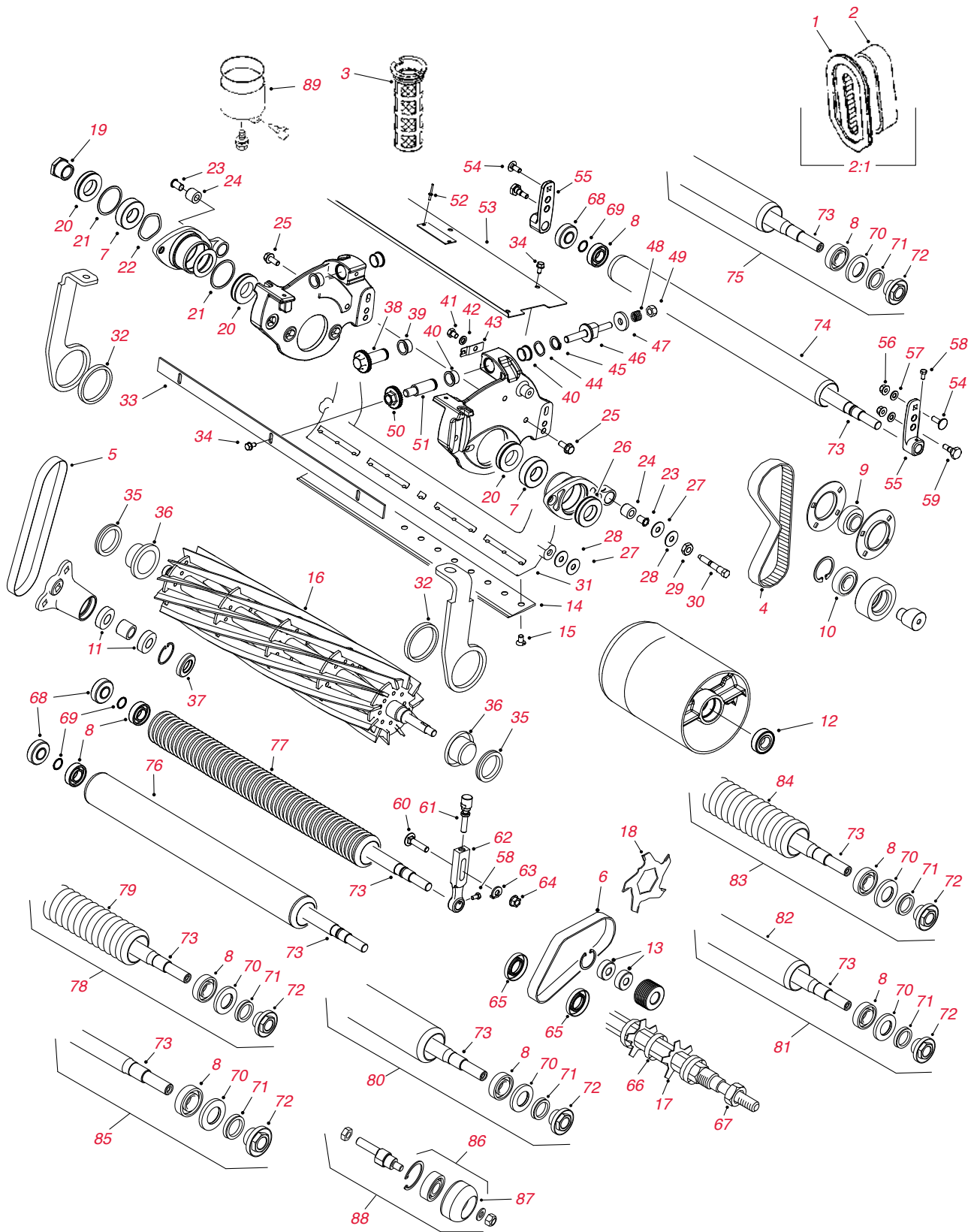
GREENSMaster[®] 1000 / 1600 / 2000 / 2600

Greensmaster 1000 / 1600 / 2000 / 2600 - continued

Ref. No.	Part No.	Description	Qty.
60	323-7	SCREW - CAP HEX HD	2
61	106-5363	ADJUSTER (2004 & UP)	2
62	106-5344	BUSHING - KEYPED FLANGE	2
63	99-2097	DETENT	2
64	3253-4	WASHER - LOCK	2
65	106-5335	ORDER 119-4164	2
65	119-4164	WASHER - WAVE	2
66	32120-93	RING - RETAINING	2
67	99-2096	SCREW - BEDBAR ADJUSTER	2
68	99-2098	WASHER	2
69	99-3755	ORDER 119-4156	2
69	119-4156	SPRING - COMPRESSION	2
70	33025-00	NUT - LOCK	2
71	3234-14	SCREW - HEX FLANGE HD	1
72	32151-92	RING - RETAINING	2
73	3290-485	WASHER - WAVE	1
74	65-7250	ORDER 65-8570	2
74	65-8570	MOUNT - GRASS BASKET (GR 800/1000/2000/2600)	2
74	93-9018	ROD - BASKET LH (GR 1600 ONLY)	1
74	93-9017	ROD - BASKET RH (GR 1600 ONLY)	1
75	322-2	SCREW - CAP HEX HD	4
76	3255-8	WASHER - LOCK	4
77	93-6049	BRACKET - HOC LH	1
*	93-6048	BRACKET - HOC RH	1
78	93-6051	SCREW - HOC	2
79	3242-4	SCREW - SQH	2
80	3218-2	NUT - HEX	2
81	3231-5	SCREW - CARRIAGE	4
82	93-6090	ARM - HOC	2
83	3256-24	WASHER - FLAT	4
84	32128-21	NUT - FLANGE LOCK	2
85	88-7580	SHAFT - TRANSPORT LH	1
*	88-7590	SHAFT - TRANSPORT RH	1
86	322-9	SCREW - CAP HEX HD	8
87	3253-4	WASHER - LOCK	16
88	322-5	SCREW - CAP HEX HD	8
89	94-5850	SPINDLE - DRUM	1
90	253-159	SEAL	2
91	65-6530	SPACER - SEAL	1
92	3296-33	NUT - LOCK	1
*	119-4108-03	ORDER 132-3842	
*	132-3842	SHAFT - DRUM LH	1
*	132-3841	SHAFT - DRUM RH	1
*	117-1408	DRUM (GRN 1000/1010)	
94	70-1350	SPACER (GROOMER REEL)	84
95	3296-60	NUT - LOCK (GROOMER REEL)	2
96	17-1600	SPACER (DETHATCHER REEL)	70
97	3220-18	NUT - LOCK (DETHATCHER REEL)	2
*	112-9279-03	BEDBAR - STANDARD (GR 1000 2008 & UP)	1
*	120-2682-01	BEDBAR (GR 800 2012 & UP)	1
*	132-3842	SHAFT - DRUM EXTENSION, LH	
*	94-5870	CABLE - CLUTCH	1

GREENSMMASTER — WALKERS

GREENSMMASTER FLEX™ 1800 / 2100 (18 / 21) AND eFLEX® 1800 / 2100

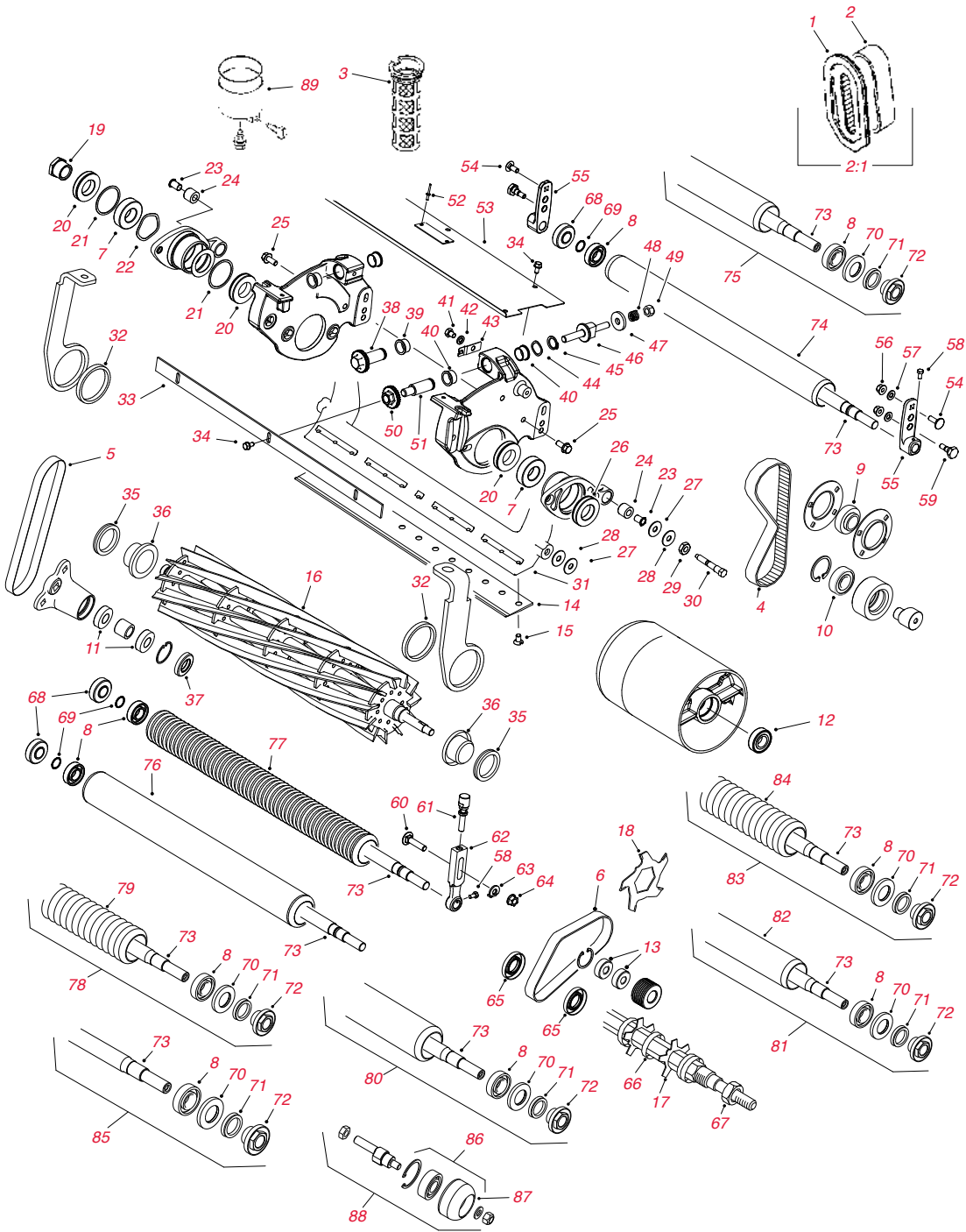


Greensmaster Flex 1800 / 2100 (18 / 21) and eFlex 1800 / 2100

Ref. No.	Part No.	Description	Qty.
1	93-8636	ELEMENT - AIR FILTER	1
2	93-8637	PRECLEANER - AIR FILTER	1
2:1	121-0618	ELEMENT SET (2012 & Up)	1
*	30065**	Filter MVP Kit (Up to 2011)	A/R
*	30097**	Filter MVP Kit (2012 & Up)	A/R
3	94-6826	FUEL FILTER - TANK SCREEN (UP TO 2011)	1
4	99-2023	BELT - DRUM DRIVE (2001-05)	1
4	107-8175	ORDER 117-1353	1
4	117-1353	BELT - DRUM DRIVE (2006-2011)	1
4	115-6744	BELT - DRUM DRIVE	1
5	99-2022	BELT - REEL DRIVE	1
6	104-4705	ORDER 120-2763	1
6	120-2763	BELT - GROOMER DRIVE	1
7	251-342	BEARING - REEL/DRUM DRIVE	2
8	251-347	BEARING - ROLLER	4
9	104-0538	BEARING - DRUM DRIVE (FLEX 21 - 2001-04)	2
9	106-8448	BEARING - DRUM DRIVE (FLEX 21 - 2005 & UP)	2
10	38-7820	BEARING - BALL (IDLER)	2
11	251-336	BEARING - BALL	2
12	251-82	BEARING - BALL	2
13	251-259	BEARING - BALL (GROOMER IDLER/SHIFT LEVER ASM)	2
*	106-2630	IDLER BEARING ASM	1
14	98-7261	BEDKNIFE - MICRO CUT (FLEX 18)	1
14	117-1530	BEDKNIFE - MICRO CUT - EDGEMAX (FLEX 18)	1
14	110-2300	BEDKNIFE - MICRO CUT EXTENDED (FLEX 18)	1
14	98-7260	BEDKNIFE - TOURNAMENT-CUT (FLEX 18)	1
14	117-1532	BEDKNIFE - TOURNAMENT-CUT - EDGEMAX (FLEX 18)	1
14	110-2301	BEDKNIFE - LOW-CUT (FLEX 18)	1
14	93-4262	BEDKNIFE - MICRO CUT (FLEX 21)	1
14	115-1880	BEDKNIFE - MICRO CUT - EDGEMAX (FLEX 21)	1
14	93-4263	BEDKNIFE - TOURNAMENT-CUT (FLEX 21)	1
14	115-1881	BEDKNIFE - TOURNAMENT-CUT - EDGEMAX (FLEX 21)	1
14	93-4264	BEDKNIFE - LOW-CUT (FLEX 21)	1
14	104-7720	ORDER 108-4303	1
14	108-4303	BEDKNIFE - MICRO CUT EXTENDED 21"	1
14	108-4302	BEDKNIFE - EXTENDED TOURNAMENT CUT 21"	1
15	57-4910	ORDER 119-4151	13
15	119-4151	SCREW - BEDKNIFE	13
	115-8255	ORDER 127-2157	
16	127-2157	REEL - 14 BLADE (FLEX 18 - CUTTING UNITS 04206/04207)	
16	132-7357	EDGESERIES REEL - 11 BLADE (5" DIA - GR FLEX/eFLEX 1800/1820 - CUTTING UNITS 04253/04254/04289ES/04291ES)	1
16	132-7358	ORDER 137-8523	1
*	137-8523	EDGESERIES REEL - 14 BLADE (5"DIA - GR FLEX/eFLEX 1800/1820 - CUTTING UNITS 04253/04254/04289ES/04291ES)	1
	115-4289	ORDER 127-2177	1
16	127-2177	REEL - 14 BLADE (5" DIA - GR FLEX - CUTTING UNITS 04200/04202/04208)	1
16	132-7342	ORDER 137-8513	1
*	137-8513	EDGESERIES REEL+ - 14 BLADE (5" DIA - GR FLEX/eFLEX 2100/2120 - CUTTING UNITS 04251/04252/04290ES/04292ES)	1
	110-2310	ORDER 127-2156	1
16	127-2156	REEL - 11 BLADE (5" DIA - GR FLEX 18 - CUTTING UNITS 04206/04207)	1
	104-0500	ORDER 107-7635	1
	107-7635	ORDER 127-2176	
16	127-2176	REEL - 11 BLADE (5" DIA - GR FLEX 21 - CUTTING UNITS 04200/04202/04208)	1
16	132-7341	ORDER 137-8512	1
*	137-8512	EDGESERIES REEL+ - 11 BLADE 21" LOW DRAG	
	107-7634	ORDER 127-2174	
16	127-2174	REEL - 8 BLADE (5" DIA - GR FLEX 21 - CUTTING UNITS 04200/04202/04208)	1
16	132-7340	ORDER 137-8511	1
*	137-8511	EDGESERIES REELS+ - 8 BLADE 21" LOW DRAG	1
	119-4101	ORDER 127-2164	
16	127-2164	REEL ASM - 11 BLADE 18" (5" DIA - GR FLEX/eFLEX 1800/1820 - CUTTING UNITS 04253/04254)	1
	119-4102	ORDER 127-2165	
16	127-2165	REEL ASM - 14 BLADE 18" (5" DIA - GR FLEX/eFLEX 1800/1820 - CUTTING UNITS 04253/04254)	1
	119-4103	ORDER 127-2200	

GREENSMaster — WALKERS

GREENSMaster FLEX™ 1800 / 2100 (18 / 21) AND eFLEX™ 1800 / 2100



Greensmaster Flex 1800 / 2100 (18 / 21) and eFlex 1800 / 2100 - continued

Ref. No.	Part No.	Description	Qty.
16	127-2200	ORDER 137-8511	1
*	137-8511	EDGESERIES REELS+ - 8 BLADE, 21" LOW DRAG	1
	119-4104	ORDER 127-2201	
16	127-2201	ORDER 137-8512	1
*	137-8512	EDGESERIES REELS+ - 11 BLADE, 21" LOW DRAG	1
16	119-4105	ORDER 127-2202	1
16	127-2202	ORDER 137-8513	1
*	137-8513	EDGESERIES REELS+ - 14 BLADE 21" LOW DRAG	1
*	130-0105**	Reel Overhaul MVP Kit (2004 - 2011)	A/R
17	95-5719	BLADE - GROOMER (HEX SHAFT)	41
18	110-2393	BLADE - GROOMER (CARBIDE TIPPED - HEX SHAFT)	41

GREENSMaster — WALKERS

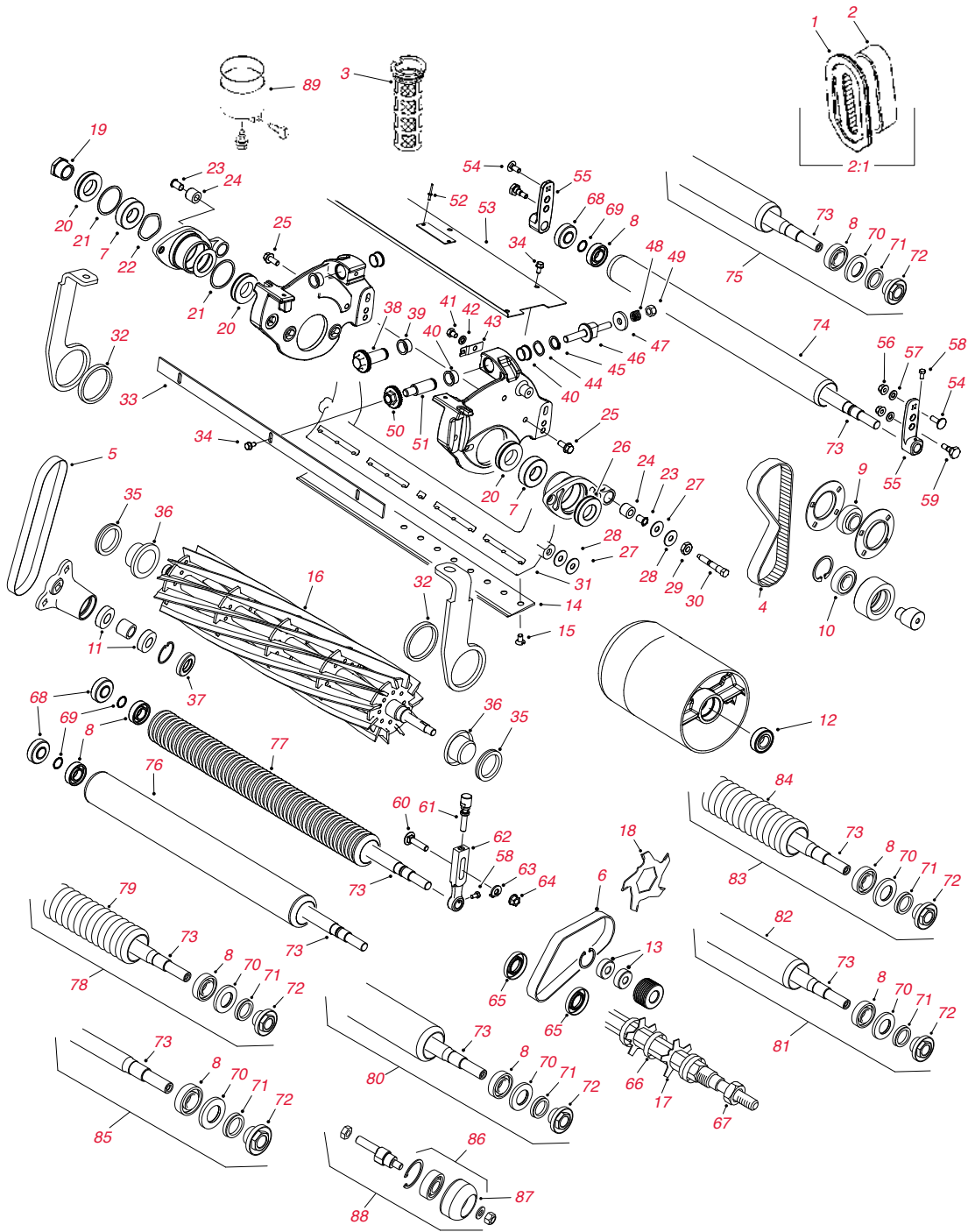
GREENSMaster® FLEX™ 1800 / 2100 (18 / 21) AND eFLEX® 1800 / 2100

Greensmaster Flex 1800 / 2100 (18 / 21) and eFlex 1800 / 2100 - continued

Ref. No.	Part No.	Description	Qty.
19	99-3767	NUT - BEARING LOCK (2001-04)	1
19	107-3227	NUT - BEARING LOCK (2004-2011)	1
19	115-6784	NUT - BEARING LOCK (2012 & AFTER)	1
20	99-3801	SEAL - REEL (BLACK - 2001-04)	4
20	107-3233	SEAL - REEL (2004-2011)	4
21	32151-92	RING - RETAINING	2
22	3290-485	WASHER - WAVE	1
23	52-2890	BUSHING - NYLON	2
24	63-9510	BUSHING	2
25	33104-020	BOLT - HEX FLANGE	4
26	105-9945	SEAL - REEL (BLUE - 2001-04)	4
27	52-2860	WASHER	4
28	52-2900	WASHER	4
29	3220-26	NUT - JAM (FLEX 21 2001-04)	2
29	107-9045	ORDER 32128-48	2
29	32128-48	NUT - JAM (FLEX 21 2004-2011)	2
29	120-9695	NUT - JAM (FLEX 21 2012 & AFTER)	1
	65-6270	ORDER 119-4050	
30	119-4050	BOLT - BEDBAR	2
31	99-3794-03	BEDBAR	1
32	99-2047	BUSHING (2001-03)	2
33	104-2602-03	BAR - CUTOFF (FLEX 21 2001-02)	1
	106-6924-03	ORDER 115-3303-03	
33	115-3303-03	BAR - CUTOFF (FLEX 21 2002 & UP)	1
34	104-2628	SCREW - HEX WASHER HD	8
35	107-3238	V-RING	2
36	108-3150	SLEEVE	2
37	253-120	SEAL (FLEX 21 - 2001-2004)	2
38	106-5363	ADJUSTER (2004 & UP)	2
39	106-5344	BUSHING - KEYED FLANGE (FLEX 21 CU 04202 & FLEX 18)	2
40	256-252	BUSHING - FLANGE (FLEX 21 CU 04200)	2
41	33114-010	BOLT - HEX HD	2
42	3253-4	WASHER - LOCK	2
43	99-2097	DETENT - ADJUST	2
44	95-3703	WASHER - WAVE (2001-04)	2
44	106-5335	ORDER 119-4164	2
44	119-4164	WASHER - WAVE (2004 & UP)	2
45	32120-93	RING - RETAINING	2
46	99-2096	SCREW - ADJUST	2
47	99-2098	WASHER - ADJUST	2
48	99-3755	ORDER 119-4156	2
48	119-4156	SPRING - ADJUST	2
49	33025-00	NUT - HEX	2
50	93-2549	NUT - ADJUST (2001-03)	2
51	99-2093	SHAFT - ADJUSTER (2001-2003)	2
52	3290-271	RIVET - POP	2
53	104-2632	GRASS SHIELD ASSEMBLY	1
54	33124-025	BOLT - CARRIAGE	2
55	99-3792	BRACKET - REAR ROLLER	2
56	104-2612	NUT - HEX	4
57	3256-23	WASHER - FLAT	4
58	33113-012	SCREW - HEX HD	4
59	95-1618	ORDER 105-3834	1
59	105-3834	BOLT - SHOULDER	1
60	33125-045	BOLT - CARRIAGE (2001)	2
60	105-5342	BOLT - CARRIAGE (2002 & UP)	2
61	99-3782	SCREW - HOC (2001-02)	2
62	99-3781	ORDER 110-7351	2
62	110-7351	BRACKET - FRONT HOC (FLEX 21 2001-04)	2
62	107-3502	ORDER 110-7350	2
*	120-9600	HIGH HDC KIT	1
62	110-7350	BRACKET KIT (INCL #58 & 60) (FLEX 21 2004 & UP)	1

GREENSMaster — WALKERS

GREENSMaster FLEX™ 1800 / 2100 (18 / 21) AND eFLEX™ 1800 / 2100



Greensmaster Flex 1800 / 2100 (18 / 21) and eFlex 1800 / 2100 - continued

Ref. No.	Part No.	Description	Qty.
63	104-2603	ORDER 119-4158	2
*	119-4158	WASHER - HOC BRACKET	2
64	104-2611	NUT - HEX (2001-03)	2
64	106-4668	NUT - LOCK (2003 & UP)	2
65	106-8530	SEAL (GROOMER SHAFT)	2
66	70-1350	SPACER - GROOMER	84
67	3296-60	NUT - GROOMER	2
68	99-3842	SEAL - ROLLER	4
69	104-4212	RING - SPIRAL RETAINING (2001)	4
69	32120-15	RING - RETAINING (2002-2004)	4
70	106-6941	SEAL	2

GREENSMaster — WALKERS

GREENSMaster® FLEX™ 1800 / 2100 (18 / 21) AND eFLEX® 1800 / 2100

Greensmaster Flex 1800 / 2100 (18 / 21) and eFlex 1800 / 2100 - continued

Ref. No.	Part No.	Description	Qty.
71	106-6942	V-RING	2
72	108-3151	NUT - BEARING LOCK	2
	104-2606	ORDER 106-6940	2
	106-6940	ORDER 119-4090	2
73	119-4090	SHAFT - ROLLER (FLEX 21)	2
74	99-3840	ORDER 115-7356	1
	107-9036	ORDER 115-7356	1
75	115-7356	FULL REAR ROLLER ASSEMBLY (FLEX 21)	1
*	107-1594**	Roller Rebuild MVP Kit	A/R
76	104-9796	ORDER 017-9039	1
77	106-6948	ORDER 115-7386	1
78	107-9038	ORDER 115-7386	1
78	115-7386	WIEHLE ROLLER ASSEMBLY-WIDE SPACING (FLEX 21)	
77	104-9795	ORDER 115-7360	1
78	107-9037	ORDER 115-7360	
78	115-7360	WIEHLE ROLLER ASSEMBLY-NARROW SPACING (FLEX 21)	1
79	104-0540	WIEHLE ROLLER TUBE (NARROW SPACING)	1
80	115-7388	FULL FRONT ROLLER ASSEMBLY (FLEX 21)	1
81	120-9605	2" FULL ROLLER ASSEMBLY (FLEX 18)	1
	110-2306	ORDER - 120-9611	
81	120-9611	2.5" FULL ROLLER ASSEMBLY (FLEX 18)	1
82	110-2220	TUBE - 2" FULL ROLLER (FLEX 18)	1
82	120-9613	TUBE - 2.5" FULL ROLLER (FLEX 18)	1
83	120-9607	WIEHLE ROLLER ASSEMBLY - NARROW SPACING (FLEX 18)	1
	110-2305	ORDER - 120-9609	
83	120-9609	WIEHLE ROLLER ASSEMBLY - WIDE SPACING (FLEX 18)	1
84	110-2221	TUBE - WIEHLE NARROW SPACING (FLEX 18)	1
84	110-2227	TUBE - WIEHLE WIDE SPACING (FLEX 18)	1
85	108-8625	ROLLER SHAFT REPLACEMENT KIT (FLEX 21)	1
86	108-4339	AUXILIARY ROLLER ASSEMBLY	2
87	108-4334	ROLLER - AUXILIARY	2
88	115-7361	AUXILIARY ROLLER KIT	1
89	93-8626	SCREW - CARB BOWL	1
*	130-9410	COUPLING - FLEX, 2 BEAM (2015)	1
*	131-3185	CABLE - THROTTLE	1
*	106-8535	RH LIFT ARM ASM, GROOMER ARM ASM	1
*	115-7172	CABLE - CLUTCH, REEL (GR 1800/2100 2012-2015)	1
*	115-7172	CABLE - CLUTCH, REEL (GR 1820/2120 2016 & after)	1
*	115-7356	REAR FULL ROLLER, ALUMINUM (GR FLEX/eFLEX 2100/2120)	
*	110-7352	SCREW - HOC	2
*	106-4237	BEARING	2
*	105-2439	BASKET - GRASS	1
*	115-6923	SHIELD-BEARING, FLOCKED	1
*	360-0398	O-RING	1
*	115-7171	CABLE - BRAKE	1
*	106-9288	SENSOR - PROXIMITY, FERROUS	2
*	117-1397	CABLE - CLUTCH, TRACTION	1
*	107-3509	STEEL ROLLER ASM	A/R
*	115-7143	SPRING - WAVE	1
*	115-7140	GASKET - HOUSING, MAIN	1
*	112-9462-03	BASKET FRAME ASM (GR FLEX 21 2007-2011)	1
*	117-6619	BUSHING - FRAME (1800/2100 2012 & UP)	1
*	106-4699	ORDER 120-9600	A/R
*	120-9600	HIGH HOC KIT, DPA (GR FLEX 18/21 2006 & UP)	A/R
*	99-6216	ROLLER - WIEHLE (GR FLEX 21 2001-2004)	A/R
*	120-9707	SHAFT - DRIVE, REEL (FLEX 1800/2100 1820/2120)	1
*	125-3540	SHAFT - HEX (FLEX 2100 2012-2015)	1
*	32180-030	CLIP - TIE	1
*	120-3230	SHAFT ASM (FLEX 21)	1
*	120-9705	SHAFT - INPUT, REEL (FLEX 1800/2100 2012-2015)	1
*	115-6882	SHAFT - HEX, REEL (FLEX 2100 2012-2015)	1
*	106-5270	IGNITION KEY SET	1
*	131-8795	KIT - CLUTCH SHAFT SERVICE ASM (FLEX 1800/2100)	A/R

*Not illustrated. **Not sold separately. See pages 20-33 for kit contents. Prices subject to change without notice. Please see your Parts Catalog or Master Parts Viewer to ensure the correct part is ordered, as the part you need may not be listed above. toro.com/parts

GREENSMATER — RIDERS

GREENSMATER® 3100

Traction Unit Parts

	Part No.	Description	Qty.
FILTERS			
	107-7817	FILTER - ENGINE OIL (GR 3050/3100)	1
	92-0527	AIR FILTER CARTRIDGE (GR 3050/3100)	1
	92-0530	FILTER - ELEMENT (GR 3100)	1
	83-1320	ORDER 94-2690	1
	94-2690	GAS FILTER (GR 3050/3100)	1
	74-3570	HYDRAULIC FILTER (GR 300/3000/3000D/3050/3100)	1
BELTS			
	67-4410	V-BELT - ALTERNATOR/WATER PUMP (GR 3000D 1989-96)	1
TIRES/DRIVE SYSTEM			
	231-64	ORDER 28-3680	3
	28-3680	TIRE - FRONT & REAR (18 X 9.5 - 8) 2-PLY TRACTION	3
	231-127	ORDER 119-3516	3
	119-3516	TIRE - FRONT & REAR (18 X 8.5 - 8) 4-PLY TRACTION	3
	70-9870	PLATE-BACKING	1
	107-2553	ROD END ASM	1
	3256-28	WASHER - FLAT, REAR WHEEL (GR 3100 - 2007-2010)	1
	75-0560	STEERING WHEEL ASM	1
	105-5444	CABLE-LOCK, NEUTRAL	1
BEARINGS			
	See Quick Reference Guide for detailed information on bearing replacements for this model. Page 30-38		
	254-70	ORDER 115-9472	2
	115-9472	CONE - BEARING (GR 3000D/3100)	2
	254-69	ORDER 115-9471	2
	254-61	ORDER 115-9471	2
	115-9471	CUP - BEARING (GR 3000D/3100)	2
	254-78	BEARING CONE	2
	254-79	BEARING CUP	2
HYDRAULIC MOTOR			
	105-0494	HYDROSTAT ASM	1
	112-0289	MANIFOLD ASM (W/BACKFLAP)	1
	105-5404	HOSE ASM	1
	107-2567	GEAR PUMP ASM (GR 3100 2004-2010)	1
	112-9170	SEAL KIT, HYDRAULIC CYLINDER (GR 3100)	1
SEAT			
	104-4620	SEAT (STD)	1
	51-0780	SLIDER-SEAT	1
	51-0790	ADJUSTER-SEAT, LH	1
	131-6691	SEAT COVER, LARGE	1
	137-1312	MESH SEAT COVER, LARGE	1
OTHER			
	104-8162	BATTERY - DRY (GR 3050/3100/3150)	1
	115-3272	KIT - SERVICE, CYLINDER (GR 3100/3200)	1
	117-6619	BUSHING - FRAME	1
	83-0810	COVER - STEERING	1

GREENSMATER — RIDERS

GREENSMATER® 3150 / 3120

Traction Unit Parts

Part No.	Description	Qty.
FILTERS		
131-6262**	800 Hour Filter MVP Kit (GR 3150/3120 2012 & After)	A/R
30064**	400 Hour Filter MVP Kit (GR 3150D - 2005 - 2011)	A/R
30016**	400 Hour Filter MVP Kit (GR 3100D - 1999 - 07)	A/R
30053**	400 Hour Filter MVP Kit (GR 3100D - 2008 & Up)	A/R
131-8785**	800 Hour Standard Filter MVP Kit (GR 3150/3120)	A/R
121-2583	FILTER - FUEL INLINE (GR 3150)	1
107-7817	FILTER - ENGINE OIL (GR 3150/3120)	1
92-0527	AIR FILTER CARTRIDGE (GR 3150)	1
83-1320	ORDER 94-2690	1
94-2690	GAS FILTER (GR 3150/3120)	1
107-9531	HYDRAULIC FILTER (GR 3150/3120)	1
92-5821	FILTER HEAD ASM (GR 3150/3120 - 2007 & AFTER)	1
92-0530	FILTER - ELEMENT (GR 3150/3120)	1
TIRES/DRIVE SYSTEM		
231-64	ORDER 28-3680	3
28-3680	TIRE - FRONT & REAR (18 X 9.5 - 8) 2-PLY TRACTION	3
231-127	ORDER 119-3516	3
119-3516	TIRE - FRONT & REAR (18 X 8.5 - 8) 4-PLY TRACTION	3
70-9870	PLATE-BACKING	1
107-2553	ROD END ASM	1
324-8	SCREW - HH (GR 3150 - 2007 & AFTER)	2
75-0560	STEERING WHEEL ASM	1
83-0810	COVER - STEERING	1
BEARINGS		
See Quick Reference Guide for detailed information on bearing replacements for this model. Page 30-38		
251-259	BEARING - BALL	1
254-70	ORDER 115-9472	2
254-78	BEARING CONE	2
254-79	BEARING CUP	2
75-5470	SPACER - BEARING	2
76-0850	BEARING - THRUST	1
94-6363	BEARING, HYDRAULIC PUMP (GR 3150)	1
252-66	BEARING - THRUST, HYDRAULIC PUMP (GR 3150)	1
98-4639	BEARING - CONE, HYDRAULIC PUMP (GR 3150)	2
104-4046	BEARING - CUP, HYDRAULIC PUMP (GR 3150)	2
133-2378	BEARING - BALL	2
115-9471	BEARING - CUP	2
115-9472	BEARING - CONE AND SEAL	2
STARTER & ALTERNATOR		
105-4320	SWITCH (GR 3150)	1
112-0278	SWITCH-REED (GR 3150)	2
105-5444	CABLE-LOCK, NEUTRAL	1
92-2538	MODULE-TIMER, FRAME & BATTERY ASM (GR 3150)	1
105-8250	CONSOLE (GR 3120/3150)	1

Traction Unit Parts - continued

	Part No.	Description	Qty.
HYDRAULIC MOTOR			
	105-0494	HYDROSTAT ASM	1
	112-0289	MANIFOLD ASM (W/BACKFLAP)	1
	105-5404	HOSE ASM	1
	120-5341	ACTUATOR REPLACEMENT KIT (GR 3150)	1
	125-1984	SPACER, HYDRAULIC TRACTION ASM (GR 3150)	1
	112-9170	SEAL KIT, HYDRAULIC CYLINDER (GR 3100/3150)	1
	105-8285	HOSE-INLET, PUMP (GR 3150 - 2007 & AFTER)	1
	340-139	FITTING - ELBOW 90 (GR 3150 - 2007 & AFTER)	1
	360-0398	O-RING (GR 3150 - 2012 & UP)	1
	108-6506	HOSE - HYD (GR 3120/3150)	1
	108-6507	HOSE - HYD (GR 3150 2006-2014)	1
	108-6510	HOSE ASM (GR 3150 2006-2014)	1
	112-0273	HYD HOSE ASM (GR 3150 2007-2014)	1
	105-4338	HYD HOSE ASM (GR 3150 2002-2006)	1
	105-5460	TUBE - HYD (GR 3120/3150)	1
	108-6511	HOSE ASM (GR 3150 2006-2011)	1
	105-5482	TUBE - HYD (GR 3120/3150)	1
	107-2580	TUBE - HYD (GR 3150 2006 & UP / 3120 2016 & UP)	1
	105-4327	TUBE - HYD, CASEDRAIN (GR 3150 2002-2015)	1
	105-5493	TUBE - HYD (GR 3120/3150)	1
	107-2582	TUBE - HYD (GR 3150 2006 & UP / 3120 2016 & UP)	1
	112-9184	SEAL - KIT (GR 3150 2007 - 2013)	1
SEAT			
	104-4620	SEAT (STD)	1
	51-0780	SLIDER-SEAT	1
	51-0790	ADJUSTER-SEAT, LH	1
	105-0464-03	PLATE-SEAT (GR 3150)	1
	88-6330	SPRING - EXTENSION (GR 3150 - 2007 & AFTER)	1
	100-4928	BELT - SEAT	1
	112-2923	SEAT ASM (GR 3120)	1
	131-6691	SEAT COVER, LARGE	1
	137-1312	MESH SEAT COVER, LARGE	1
	66-2630	LATCH - SEAT (GR 3150/3120)	1
OTHER			
	110-7352	SCREW - HOC (GR 3150/3250 - 2017 & AFTER)	2
	119-4095	GRASS SHIELD ASM (GR 3150 - 2016 & AFTER)	1
	120-3222	RH REEL NUT ASM (GR 3150 - 2007 & AFTER)	1
	1-523420	BUMPER (GR 3150 - 2007 & AFTER)	2
	32144-1	SCREW - TAPTITE (GR 3150 - 2007 & AFTER)	2
	32149-2	NUT - KEPS (GR 3150 - 2007 & AFTER)	2
	120-3222	RH REEL NUT ASM (3150 - 2011-2015)	1
	132-3831	LOCK ASM (GR 3150)	1
	104-8162	BATTERY - DRY (GR 3150)	1
	83-2380	SEAL REPAIR KIT (GR-3150)	1
	105-0418-01	ARM - STERRING (GR 3150)	1
	112-0285-01	FORK - CASTER (GR 3120/3150)	1
	136-8484	FRAME - PULL, LH (GR 3120/3150 2017 & UP)	1
	136-8408	ORDER 136-8485	1
	136-8485	FRAME - PULL, CENTER	1
	105-4302	NEUTRAL ARM ASM (GR 3150 2002 & UP)	1
	114-4693-03	MOUNT - STEERING (GR 3150 2006 & UP / 3120 2016 & UP)	1
	32120-18	E-RING (GR 3150 2002-2015)	2
	112-0297	STEERING CYLINDER ASM (2007-2016)	1
	117-9507	PEDAL - ACCELERATOR (GR 3150/3120)	1

GREENSMASTER — RIDERS

GREENSMASTER® 3250 SERIES

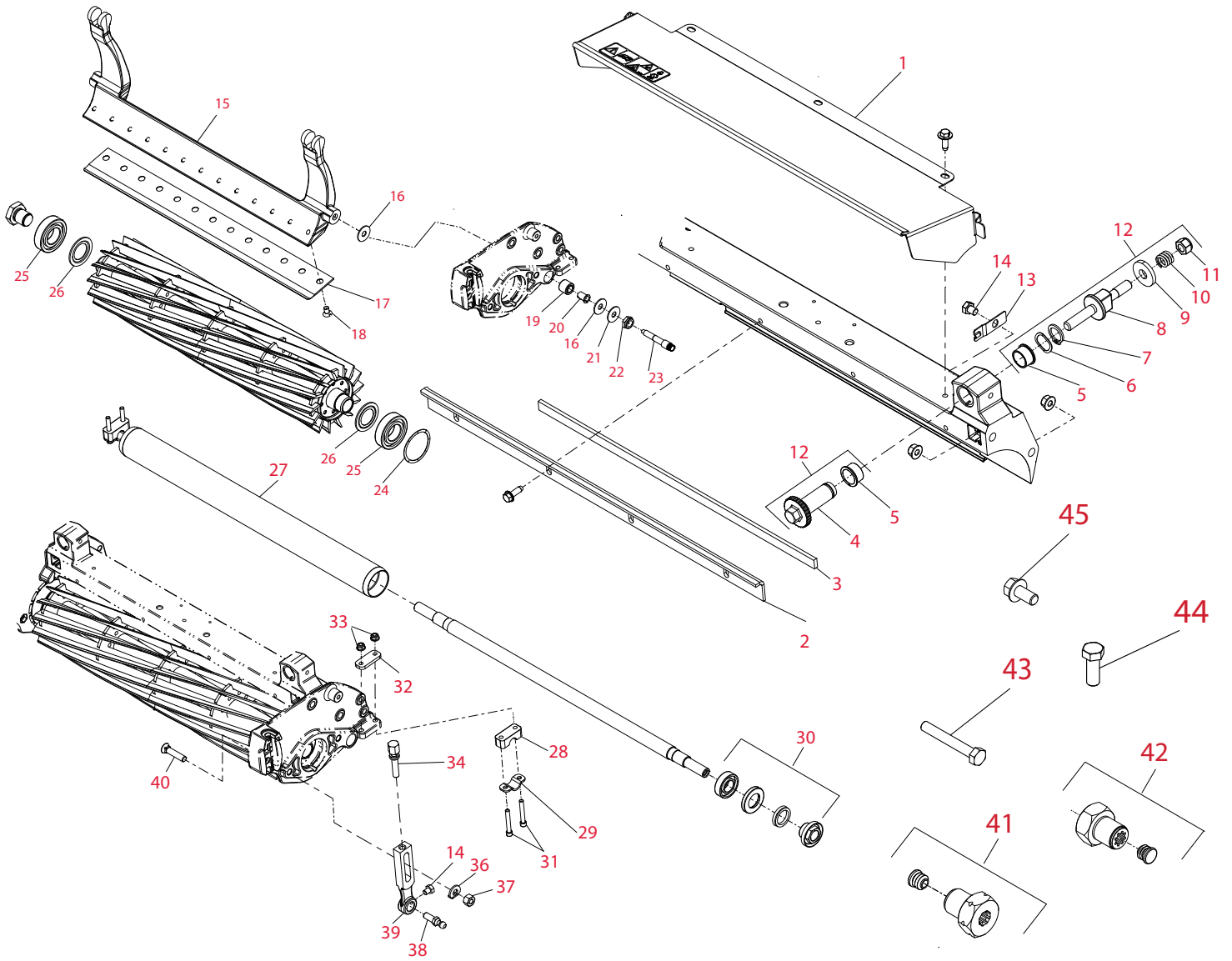
Traction Unit Parts

Part No.	Description	Qty.
FILTERS		
30062**	400 Hour Filter MVP Kit (GR 3250D - 2007-2011)	A/R
30086**	500 Hour Filter MVP Kit (GR 3250D - 2012 & Up)	A/R
99-9017	ORDER 108-3842	1
108-3842	FILTER - ENGINE OIL (2007 - 2011)	1
115-8189	FILTER - ENGINE OIL (3250D 2012 & UP)	1
93-2195	ORDER 108-3811	1
108-3811	ELEMENT - AIR CLEANER	1
105-0438	ORDER 107-9631	1
107-9531	HYDRAULIC FILTER ELEMENT (GR 3250D)	1
110-8814	FUEL FILTER ASM (BIO-DIESEL) (3250D 2007 & UP)	1
112-9188	ELEMENT - FUEL FILTER (BIO-DIESEL) (3250D 2007 - 2011)	1
110-9049	FILTER - SPIN ON (3250D 2012 & UP)	1
112-9182	BIO-DIESEL FUEL FILTER KIT (3250D)	1
92-5821	FILTER - HEAD (GR 3250 - 2008 & AFTER)	1
TIRES		
231-64	ORDER 28-3680	3
28-3680	TIRE - FRONT & REAR (18 X 9.5 - 8) 2-PLY SMOOTH (GR 3050 1997-2010)	3
231-124	ORDER 231-127	3
231-127	ORDER 119-3516	3
119-3516	TIRE - FRONT & REAR (18 X 8.5 - 8) 4-PLY TRACTION (GR 3050 2008-2010)	3
70-8500	TIRE - FRONT & REAR (19 X 10.5 - 8) 2-PLY TRACTION	3
99-4506	TIRE - FRONT & REAR (20 X 10 - 8) 4 PLY TURF MATE OPT.	3
114-4665	TIRE ASM (GR 3250 2012 & AFTER)	2
104-2057	SENSOR, BRAKE PEDAL ASM (GR 3100/3150 2000-2010)	1
93-2270	HYD HOSE ASM, REAR WHEEL ASM (GR 3250)	1
93-2075-01	BRAKE PEDAL ASM (GR 3250 2000 & UP)	1
BEARINGS		
See Quick Reference Guide for detailed information on bearing replacements for this model. Page 30-38		
251-347	BEARING - FULL REAR ROLLER ASM (GR 3250)	
251-259	BEARING - BALL (NEUTRAL ARM) (GR 3250)	1
254-70	ORDER 115-9472	2
115-9472	CONE - BEARING	2
115-9471	CUP - BEARING	2
254-78	BEARING CONE	2
254-79	BEARING CUP	2
108-6542	PULL LINK ASM	1
108-6544	SPACER (GR 3250D)	1
99-4109	SPACER, CENTER PULL FRAME ASM (GR 3250D)	1
125-5222	BUSHING-ECCENTRIC, MACHINED (GR 3250D 2014 & AFTER)	1
92-8995	BUSHING (GR 3200/3200D/3250D)	2
99-4243	BUSHING-FLANGE, LIFT ARM ASM (GR 3250)	2
STARTER & ALTERNATORS		
825095***	STARTER (3200) (B&S REFERENCE ONLY)	1
99-9207	ORDER 110-2598	1
110-2598	STARTER (3250D 2008-2011)	1
99-9209	ALTERNATOR (GR 3250D up to 2011)	1
99-8193	RADIATOR (GR 3250D up to 2011)	1
112-0278	SWITCH-REED (GR 3250D)	2
93-2090	FAN - ENGINE (GR 3250 UP TO 2011)	1
92-2538	MODULE-TIMER, CONSOLE ASM (GR 3200/3250)	1
100-3190-03	ENGINE MOUNT ASM (GR 3250 - 2000-2011)	1
115-2292	TIMER - FLOW PLUG (GR 3250 - 2008-2011)	1
127-9656	ENGINE - KUBOTA (GR 3250 - 2014 & AFTER)	1
93-2018	HOSE - RADIATOR (GR 3250 - up to 2011)	1
99-1469	HOSE - RADIATOR (GR 3250 - up to 2011)	1
132-6991	HOUSING - BELL (GR 3250)	1
120-5313-03	MOUNT - ENGINE (GR 3250 2012 & UP)	1

Traction Unit Parts - continued

	Part No.	Description	Qty.
HYDRAULIC MOTOR			
	105-0494	HYDROSTAT ASM (GR 3250 up to 2011)	1
	112-0238	MOTOR-WHEEL, HYD (RH) (GR 3250 up to 2011)	1
	112-0237	MOTOR-WHEEL, HYD (LH) (GR 3250 up to 2011)	1
	107-2550	CABLE-CONTROL, TRACTION	1
	121-9519	GEAR PUMP SERVICE KIT (GR 3250D) (GR 3250 up to 2011)	1
	112-9197	MANIFOLD ASM W/BACKLAP (GR 3250D)	1
	120-5341	ACTUATOR REPLACEMENT KIT (GR 3250D) (GR 3250 up to 2011)	1
	69-4320	FITTING-HYD, 90 DEG (GR 3250D)	1
	125-1984	SPACER, REEL MOTOR ASM	5
	93-2270	HYD HOSE ASM, REAR WHEEL ASM	1
	108-5675	HYD HOSE ASM, REAR WHEEL (GR 3250 - 2010 & AFTER)	1
	115-2292	TIMER - FLOW PLUG (GR 3250 - 2008-2011)	1
	340-139	FITTING - ELBOW (GR 3250 - 2012 & AFTER)	2
	112-9193	HOSE - HYD (GR 3250 2007-2014)	1
	112-9184	SEAL KIT (GR 3250 2007-2013)	1
SEAT			
	104-4620	SEAT-STD	1
	92-8991	ADJUSTER - SEAT ASM	1
	72-9390	BELT - SEAT (GR 3250 - 2012-2013)	1
	131-6691	SEAT COVER, LARGE	1
	137-1312	MESH SEAT COVER, LARGE	1
	99-4208	SHROUD - CONSOLE (GR 3250 - 2007 & UP)	1
OTHER			
	112-9170	Seal-Kit, Hydraulic Cylinder	A/R
	94-1304	CABLE-LOCK, NEUTRAL	1
	115-5305	CAP-FUEL (3250D)	1
	70-9870	PLATE-BACKING	1
	125-1984	SPACER, REEL MOTOR ASM	1
	99-4201	TUBE-SPACER, LH & RH LIFT ARM ASM	1
	100-3172-03	SCREEN ASM (GR 3250 - 2007 & AFTER)	1
	104-6478	SPRING - EXTENSION (GR 3250 - 2012 & AFTER)	4
	120-3222	RH REEL NUT ASM (GR 3250 - 2016 & AFTER)	1
	3234-42	SCREW - HHF (GR 3250 - 2012 & AFTER)	1
	325-13	SCREW - HH (GR 3250 - 2007 & AFTER)	3
	360-0398	O-RING (GR 3250 - 2012 & AFTER)	1
	63-2290	WASHER - THRUST (GR 3250 - 2008 & AFTER)	9
	68-3270	BUMPER - RUBBER (GR 3250 - 2008 & AFTER)	2
	75-0560	STEERING WHEEL ASM (GR 3250 - 2008 & AFTER)	1
	99-4115	FRONT LIFT FRAME ASM (GR 3250 - 2008 & AFTER)	2
	99-4116	REAR LIFT FRAME ASM (GR 3250 - 2007 & AFTER)	1
	99-4126	CENTER LIFT ARM ASM (GR 3250 - 2008 & AFTER)	1
	99-4182-01	LH CLEVIS ASM (2000 & UP)	1
	99-4212	LH LIFT ARM ASM (GR 3250 - 2000 & UP)	1
	99-4213	RH LIFT ARM ASM (GR 3250 - 2000 & UP)	1
	99-4258	RH LINK BRACKET ASM (GR 3250 - 2008 & AFTER)	1
	99-4260	LH LINK BRACKET ASM (GR 3250 - 2007 & AFTER)	1
	120-3222	RH REEL NUT ASM (GR 3250 - 2011-2015)	1
	117-9471	STEERING KIT - SERVICE (GR 3250)	1
	119-3555	RADIATOR (GR 3250 - 2012 & AFTER)	1
	94-1383	PEDAL - PIVOT (GR 3250 2000-2009)	1
	108-6503-03	CONSOLE ASM (GR 3250 2005-2014)	1
	32180-030	CLIP TIE (GR 3250 2012 & UP)	1
	112-9714-01	FORK - CASTER (GR 3250 2007 & UP)	1
	114-4680	TANK ASM (GR 3250 2008-2015)	1
	83-0810	COVER - STEERING	1
	100-1854	PLUG - GLOW (GR 3250)	3
	117-9507	PEDAL - ACCELERATOR (GR 3250 - 2011 & AFTER)	1
	120-5261	CONTROL - THROTTLE (GR 3250 - 2012 & AFTER)	1
	99-4248	SPACER (GR 3250 - 2000 & UP)	1
	112-9174-01	FORK - CASTER (GR 3250 - 2007 & UP)	1
	132-6994	HOUSING - BELL (GR 3250 2016 & UP)	1

GREENSMMASTER — RIDERS
GREENSMMASTER® 3150/3120/3250

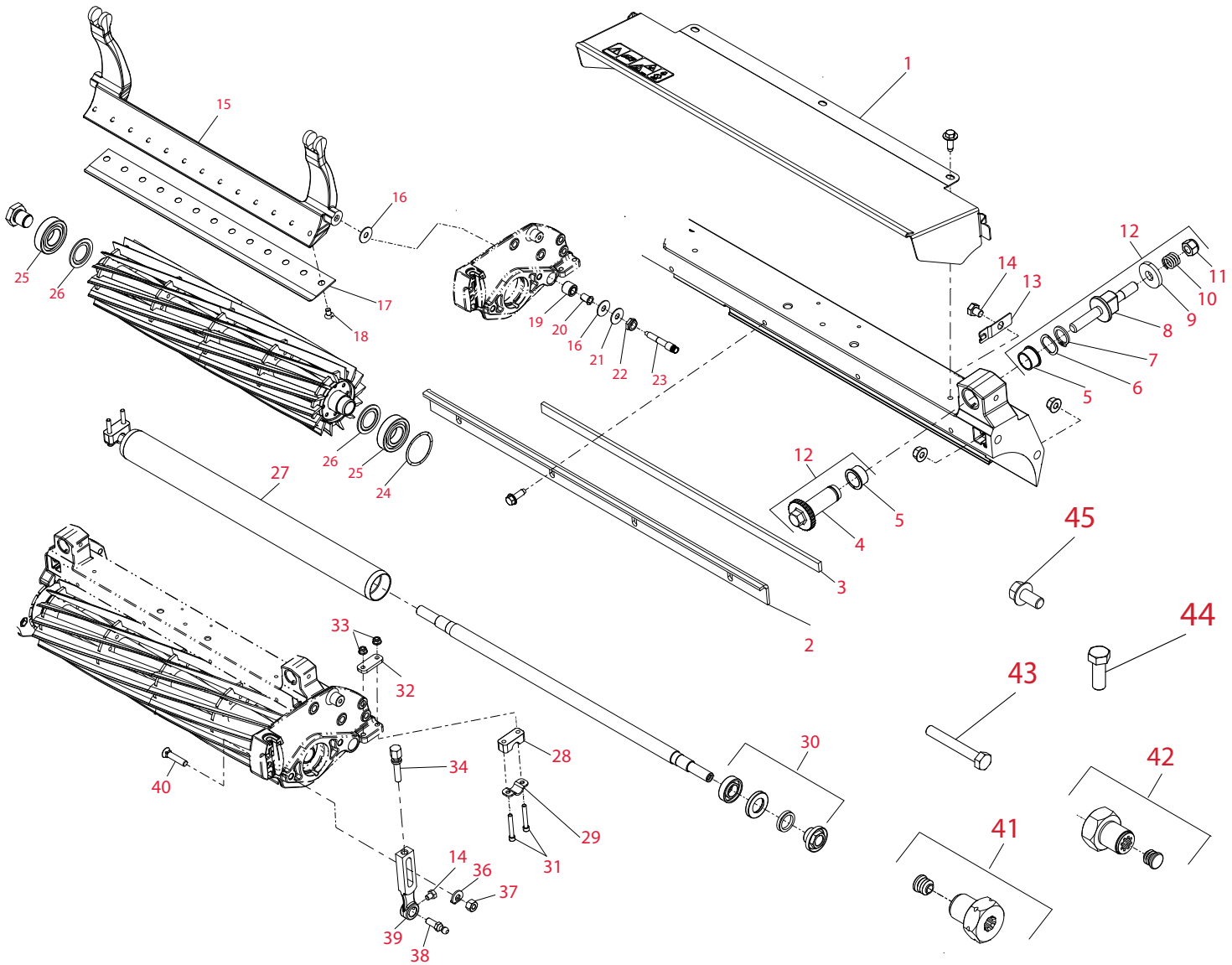


DPA (Dual Point Adjust) Cutting Unit Parts

Ref. No.	Part No.	Description	Qty.
1	119-4095	GRASS SHIELD ASM (21")	1
2	115-3303-03	BAR - CUTOFF	1
3	106-2619	STRIP - SEAL	1
4	106-5363	SHAFT - ADJUSTER	2
5	106-5344	BUSHING - FLANGE, KEYED	4
6	119-4164	WASHER - WAVE	2
7	32120-93	RING - RETAINING	2
8	115-7039	SCREW - ADJUSTER, BEDBAR	2
9	119-4155	WASHER - HARDENED	2
10	119-4156	SPRING - COMPRESSION	2
11	119-4039	NUT - HEX, NI	2
12	121-2637**	MVP Kit DPA Adjusters	A/R
13	99-2097	DETENT	2
14	119-4067	SCREW - HH	4
15	106-2648-01	BEDBAR	1
15	99-3794-03	BEDBAR - AGGRESSIVE	1
16	52-2900	WASHER - PLASTIC	4
17	108-4302	BEDKNIFE - TOURNAMENT, EXTENDED	1
17	108-4303	BEDKNIFE - MICROCUT, EXTENDED	1
17	115-1880	BEDKNIFE - EDGEMAX, MICROCUT	1
17	115-1881	BEDKNIFE - EDGEMAX, TOURNAMENT	1
17	63-8610	BEDKNIFE - FAIRWAY	1
17	93-4262	BEDKNIFE - MICROCUT	1
17	93-4263	BEDKNIFE - TOURNAMENT CUT	1
17	93-4264	BEDKNIFE - LOW CUT	1
17	94-6392	BEDKNIFE - HIGH CUT	1
18	119-4151	SCREW - BEDKNIFE	13
19	119-4153	RUBBER BUSHING ASM	2
20	52-2890	BUSHING - NYLON	2
21	119-4150	WASHER - FLAT	2
22	119-4154	NUT - LOCK, NI	2
23	117-9493	BOLT - BEDBAR	2
24	115-5258	SPRING - WIRE, FLAT	1
25	115-3296	BEARING - SEALED	2
26	115-3299	SEAL - FLOCKED	2
27	119-4093	REAR FULL ROLLER ASM	1
28	119-4166	SPACER - HEIGHT, ROLLER	2
29	119-4157	RETAINER - SHAFT	2
30	107-1594**	Roller Seal Build Kit	A/R
31	119-4035	SCREW - HSH	4
32	119-4165	SHIM - HEIGHT	2
33	119-4040	NUT - FLANGE, NI	4
34	110-7352	SCREW - HOC	2
35	119-4067	SCREW - HH	2
36	119-4158	WASHER - HOC	2
37	115-7193	NUT - HOC	2
38	94-2958	STUD - BALL	2
39	115-7041	ARM - HOC	2
40	99-3773	BOLT - PLOW	2
41	120-3221	LH REEL NUT ASM	1
42	120-3222	RH REEL NUT ASM	1
43	322-11	SCREW - HH	2
44	323-6	SCREW - HH	2
45	110-1718	SCREW - HHF	2
*	104-0540	WIEHLE ROLLER TUBE (0.20" SPACING)	1
*	104-1834	IDLER BEARING ASM - REAR ROLLER BRUSH ASM	1
*	105-5720	V-BELT, POLY (3150/3250)	1
*	105-5722	PULLEY - DRIVER, ROLLER BRUSH ASM (3250)	1
*	105-6792	REPLACEMENT REAR ROLLER BRUSH	1
*	105-9770	REEL MOTOR ASSEMBLY (3100 - 2003 & UP)	1
*	106-2600-01	SHIELD - GRASS	1

GREENSMASTER — RIDERS

GREENSMASTER® 3150/3120/3250



DPA (Dual Point Adjust) Cutting Unit Parts - continued

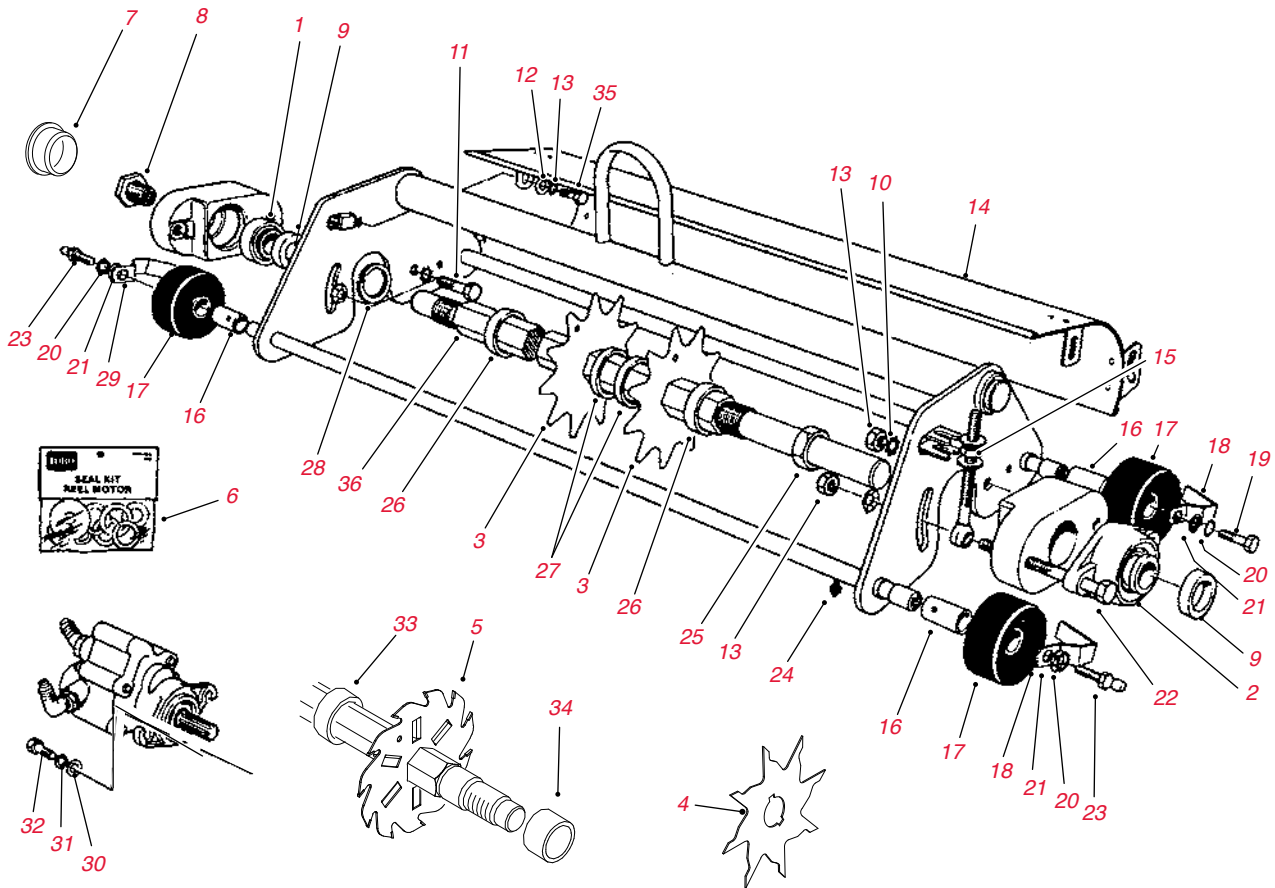
Ref. No.	Part No.	Description	Qty.
*	106-2630	IDLER BEAR ASM	1
*	106-6362	SEAL KIT (FOR REEL MOTOR 105-9770)	1
*	106-6917	PULLEY - DRIVEN, RH ROLLER BRUSH ASM (3150/3250)	1
*	106-6937**	DPA Reel Seal Kit	A/R
*	106-8535	RH LIFT ARM ASM, RIGHT HAND GROOMER ASM (3050/3150/3250)	1
*	106-9627**	Rear Roller Brush Rebuild MVP Kit	A/R
*	107-1595**	Roller Rebuild MVP Kit (2003)	A/R
*	108-6543	PULL FRAME ASSEMBLY	1
*	108-8625	ROLLER SHAFT REPLACEMENT KIT	1
*	110-2333	BLADE - GROOMER, HELIX	41
*	110-7350	BRACKET KIT (2004 & UP)	1
*	110-7351	ARM - HOC (2003)	2
*	112-7475	BEDKNIFE - FAIRWAY CUT - EDGEMAX	1
*	115-7360	WIEHLE ROLLER ASSEMBLY (0.20" SPACING)	1
*	115-7386	WIEHLE ROLLER ASSEMBLY (0.93" SPACING)	1
*	119-4050	BOLT - BEDBAR	2
*	119-4090	SHAFT - ROLLER	1

DPA (Dual Point Adjust) Cutting Unit Parts - continued

Ref. No.	Part No.	Description	Qty.
*	120-2072	HYDRAULIC MOTOR ASSEMBLY (3050 2003-05)	1
*	120-2763	BELT - GROOMER DRIVE (DPA CUTTING UNITS)	1
*	121-9531	BLADE, GROOMER (CARBIDE TIPPED)	41
*	127-2194	REEL - 11 BLADE (5" DIA - 3050/3100/3150/3250)	1
*	127-2195	REEL - 14 BLADE (5" DIA - 3050/3100/3150/3250)	1
*	131-2013	REEL - 5 BLADE (5" DIA - 3050/3100/3150/3250)	1
*	131-2014	REEL - HD 8 BLADE (5" DIA - 3050/3100/3150/3250)	1
*	132-7340	ORDER 137-8511	1
*	137-8511	EDGESERIES REELS + - 8 BLADE 21" LOW DRAG	1
*	132-7341	ORDER 137-8512	1
*	137-8512	EDGESERIES REELS+ - 11 BLADE 21" LOW DRAG	1
*	132-7342	ORDER 137-8513	1
*	137-8513	EDGESERIES REEL+ - 11 BLADE (5" DIA - GR 3000/3100/3200/3300/3400 - CUTTING UNIT 04613/04614/04615/04618/04619/04624/04651ES/04652ES/04653ES/04654ES/04655ES/04656ES)	1
*	93-2489	BEARING - REEL	2
*	95-5719	BLADE- GROOMER	41
*	99-2096	SCREW - ADJUSTER	2
*	99-2098	WASHER	2
*	99-3842	SEAL - OIL	2
*	104-2628	SCREW - HEX WASHER HD	8
*	105-5342	BOLT - CARRIAGE	2
*	105-5700	WASHER - WAVE	1
*	105-5706	NUT - BEARING LOCKING	2
*	105-5775	RING - RETAINING	1
*	106-2607	SEAL - O-RING	1
*	106-4668	NUT - LOCK, NI	2
*	106-5336	NUT - JAM (2003)	2
*	106-6914	RING - RETAINING	1
*	106-6926	SEAL - GREASE	2
*	106-6927	SLEEVE	2
*	106-6929	SEAL - V-RING	2
*	106-6941	SEAL	2
*	106-6942	V-RING	2
*	106-8530	SEAL (GROOMER SHAFT)	1
*	108-3151	NUT - BEARING LOCK	2
*	114-4634	ADJUSTER (2003)	2
*	132-6979	BEARING - BALL	2
*	251-259	BEARING - BALL (GROOMER & REAR ROLLER BRUSH IDLER)	3
*	251-347	BEARING	2
*	253-134	SEAL - GREASE	2
*	32120-15	RING - RETAINING	2
*	32128-48	NUT - FLANGE	2
*	3255-8	LOCK WASHER	2
*	3256-2	WASHER - FLAT	2
*	3296-60	NUT - LOCK	2
*	33025-00	NUT - LOCK	2
*	52-2860	WASHER	2
*	70-1350	SPACER - GROOMER	84
*	94-4507	COUPLER - SPLINED	1
*	107-3509	LH REEL NUT ASM	1
*	119-4095	GRASS SHIELD ASM	1
*	95-1634-01	FRAME - REEL (GR 3250 2001-2003)	1
*	106-4689	GRASS BASKET ASM (GR 3250 2003 & UP)	3
*	94-8199	TUBE - PIVOT (GR 3250 2000 & UP)	1
*	99-4072	SPACER (GR 3250 2000 & UP)	1

GREENSMMASTER® — RIDERS

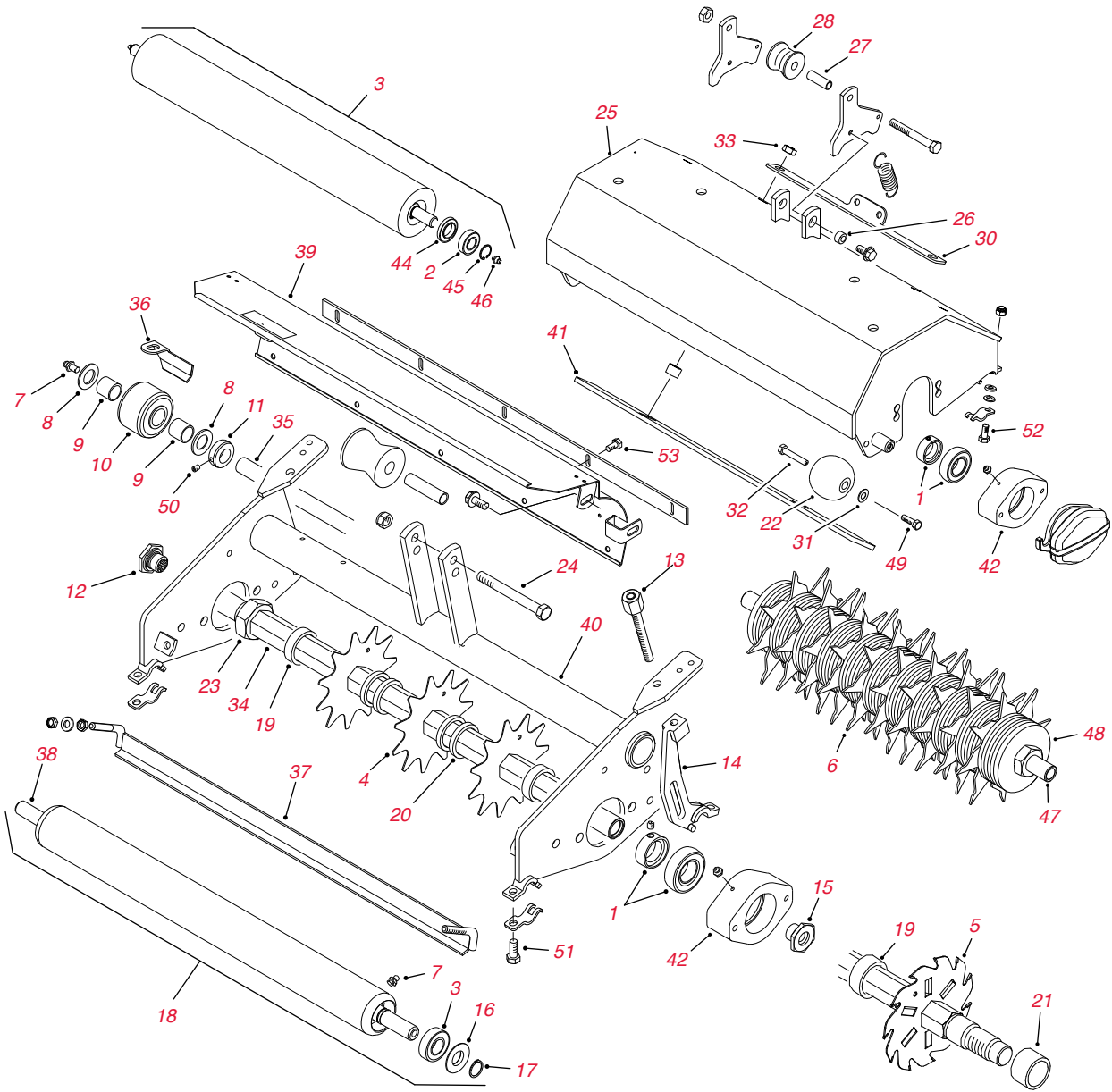
VERTICAL CUTTER ASSEMBLY



Vertical Cutter Assembly

Ref. No.	Part No.	Description	Qty.
1	251-206	BEARING W/COLLAR	1
2	251-247	BEARING	1
3	17-1590	DETHATCHING BLADE (STD)	A/R
4	20-7380-01	SPIKER BLADE	10
5	106-5422	BLADE - DETHATCHING REEL (1MM CARBIDE TIPPED)	A/R
5	106-6355	BLADE - DETHATCHING REEL (2MM CARBIDE TIPPED)	A/R
*	106-6392**	Dethatching Reel Blade Mvp Kit (108 Blades 106-6355)	A/R
6	72-4380	ORDER 92-8863	1
6	75-1270	ORDER 92-8863	1
6	92-8863	SEAL KIT	1
7	2410-30	CAP - PLASTIC	1
8	10-5100	ORDER 93-1394	1
8	93-1394	SPLINE NUT	1
9	251-77	BEARING LOCK	2
10	324-6	CAP SCREW	2
11	3256-22	WASHER	4
12	3255-7	LOCK WASHER	4
13	3217-8	NUT	2
15	3217-7	NUT	2
16	17-1620	WHEEL BUSHING	4
17	17-1630	RUBBER WHEEL	4
18	17-1640	SCRAPER	2
19	3211-3	ORDER 3211-40	2
19	3211-40	CAP SCREW	2
20	3254-6	LOCK WASHER	4
21	3256-3	WASHER	4
22	324-13	CAP SCREW	2
23	2411-7	ORDER 94-2958	2
23	94-2958	STUD - BALL	2
24	302-5	GREASE FITTING	4
25	3220-18	JAM NUT	2
26	17-1580	SPACER	2
27	17-1600	SPACER	72
29	17-1650	SCRAPER	2
30	3256-24	WASHER	2
31	3255-9	LOCK WASHER	2
32	323-6	CAP SCREW	2
33	82-6600	SPACER - WIDE	2
34	17-1580	SPACER - NARROW	35
35	329-1	SCREW - CAP HEX HD	4

GREENSMMASTER® — RIDERS
DETHATCHER / TRI-ROLLER / SPIKER ASSEMBLIES



GREENSMASTER® — RIDERS

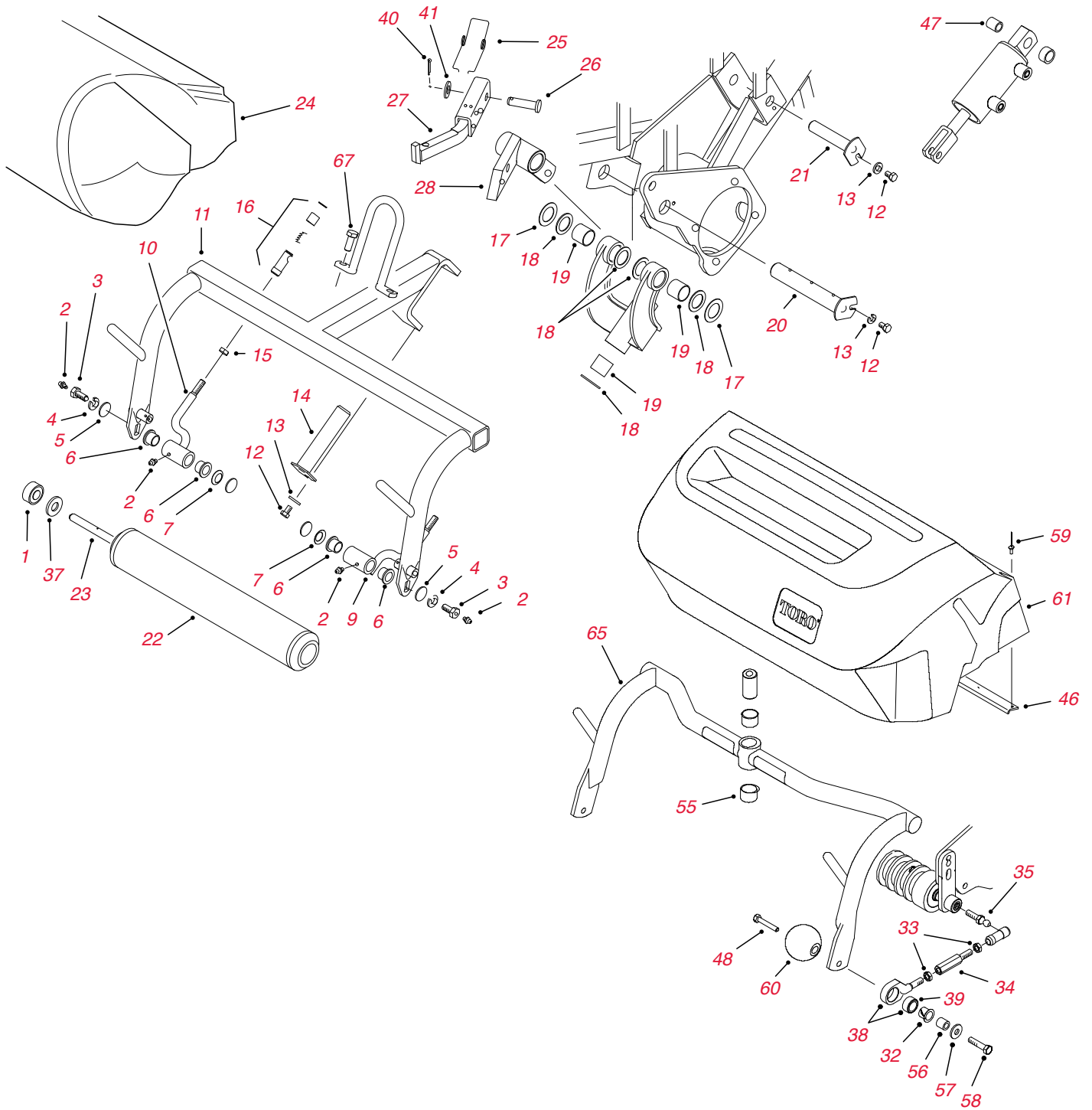
DETHATCHER / TRI-ROLLER / SPIKER ASSEMBLIES

Dethatcher/Tri-Roller/Spiker Assemblies

Ref. No.	Part No.	Description	Qty.
1	94-3405	BEARING ASSEMBLY	2
2	93-2559	BEARING	2
3	85-9970	BEARING	2
4	17-1590	BLADE - 11 TOOTH (STD)	37
5	106-5422	BLADE - DETHATCHING REEL (1MM CARBIDE TIPPED)	37
5	106-6355	BLADE - DETHATCHING REEL (2MM CARBIDE TIPPED)	37
*	106-6392**	Dethatching Reel Blade MVP Kit (108 Blades 106-6355)	A/R
6	99-1612	BLADE - SPIKER REEL	10
7	302-5	FITTING - GREASE	4
8	257-11	WASHER - THRUST	4
9	95-7497	BUSHING - WHEEL	4
10	94-9211	WHEEL ASSEMBLY	2
11	94-9213	COLLAR - SHAFT (WITH SET SCREW)	2
12	93-1394	NUT - SPLINED RH	1
13	95-1633	ADJUSTER - HEIGHT-OF-CUT	2
14	95-1638	BRACKET - HEIGHT-OF-CUT	2
15	94-9214	NUT - SPLINED LH	1
16	85-7190	WASHER - SHIELD	2
17	32151-12	RING - RETAINING	2
18	95-5943	ROLLER ASSEMBLY	1
*	107-1593**	Dethatcher Roller Rebuild MVP Kit	A/R
19	17-1580	Spacer	A/R
20	17-1600	SPACER	72
21	82-6600	SPACER - WIDE	2
22	99-4210	ROLLER - ANTI-SCALP (SPIKER/TRI-ROLLER)	2
23	67-5840	NUT - LOCK	2
24	33115-080	SCREW - HEX HD	1
25	100-6443-01	FRAME - SPIKER	1
27	100-6448	SPACER - ROLLER	1
28	100-6449	ROLLER - LIFT	1
30	100-9818-01	PLATE - SPRING MOUNT	1
31	3256-45	WASHER - FLAT	4
32	99-4209	SHAFT - ROLLER (SPIKER/TRI-ROLLER)	2
33	33026-00	NUT - LOCK	2
34	94-9202	SHAFT - DETHATCHER	1
35	94-9210	SHAFT - REAR ROLLER	1
36	94-9219	SCRAPER - RIGHT REAR ROLLER	1
*	94-9220	SCRAPER - LEFT REAR ROLLER	1
37	94-9226	SCRAPER - FRONT ROLLER	1
38	95-5946	SHAFT - FRONT ROLLER	1
39	98-3551	SHIELD - GRASS	1
40	98-3587-01	DETHATCHER FRAME ASSEMBLY	1
41	99-1637-01	PLATE - ROLLER SCRAPER (SPIKER/TRI-ROLLER)	1
42	95-7148	HOUSING - BEARING	2
43	99-1615	REAR ROLLER ASSEMBLY (SPIKER/TRI-ROLLER)	1
44	98-2194	SEAL - GREASE	2
45	93-2525	RING - RETAINING	2
46	302-5	FITTING - GREASE	2
47	99-1611	SHAFT - SPIKER REEL	1
48	99-1613	SPACER - SPIKER REEL	73
49	323-5	SCREW - HEX HD. (SPIKER/TRI-ROLLER)	2
50	3245-1	SCREW - SET	2
51	33114-016	SCREW HEX HD	2
52	33114-025	SCREW HEX HD	2
53	104-2065	SCREW HEX HD	5
*	3220-5	NUT - JAM (SPIKER/TRI-ROLLER)	6
*	88-6330	SPRING - EXTENSION (SPIKER/TRI-ROLLER)	1
*	121-6675	DETHATCHER BLADE KIT, SPRING STEEL	1
*	121-6674	BLADE - ELEVEN TOOTH DETACHER	1

GREENSMMASTER® — RIDERS

CARRIER FRAME & LIFT PIVOT PARTS

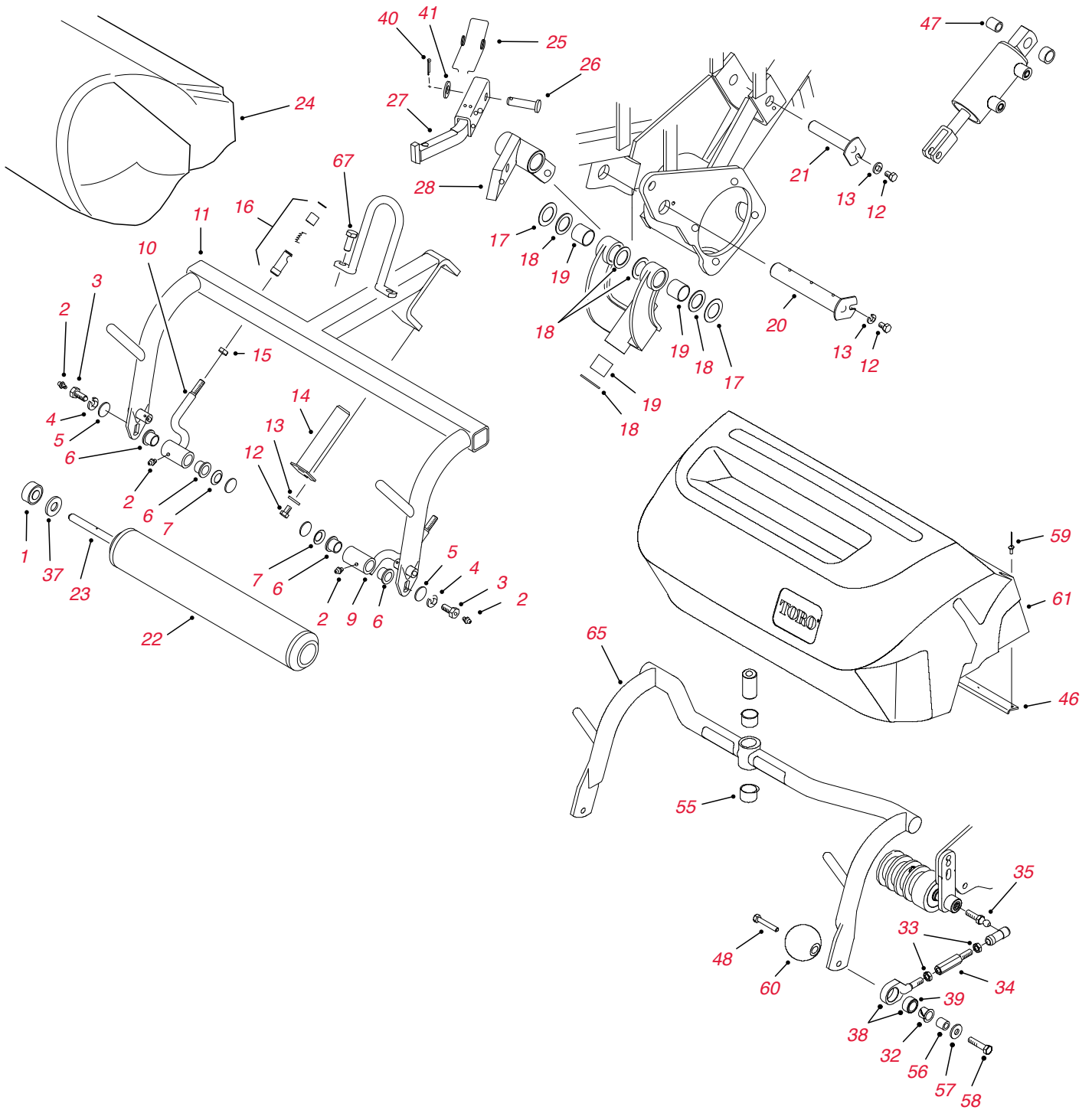


Carrier Frame & Lift Pivot Parts

Ref. No.	Part No.	Description	Qty.
1	133-2378	BEARING	2
2	302-5	GREASE FITTING	4
3	11-0160	SCREW	2
4	3253-21	LOCK WASHER	2
5	3256-24	WASHER	2
6	3-1506	BUSHING	4
7	3290-317	WASHER	2
9	52-2740	ORDER 92-0586	1
9	92-0586	PULL ARM LH (1984 & UP)	1
10	52-2750	ORDER 92-0585	1
10	92-0585	PULL ARM RH (1984 & UP)	1
11	86-9810-01	PULL FRAME LH (3000 1989-94)	1
11	104-2056	ORDER 136-8446	1
	136-8446	PULL FRAME CENTER (3000 1989-94)	
11	136-8484	PULL FRAME LH (3000/3050/3100/3150 1995 - 2006)	1
11	136-8483	PULL FRAME RH (3000/3050/3100/3150 1995 - 2006)	1
11	104-2056	ORDER 136-8446	1
*	136-8446	PULL FRAME CENTER (3000 1995-06)	
11	112-0284	ORDER 136-8485	
11	136-8408	ORDER 136-8485	1
*	136-8485	FRAME - PULL, CENTER	1
11	105-0451	ORDER 136-8485	1
*	136-8485	FRAME - PULL, CENTER	1
12	322-1	SCREW - CAP HEX HD (FOR 10-6110/27-2550/115-3260 PINS)	3
12	32144-14	SCREW - CAP HEX HD (FOR 94-8198 PIN)	3
13	3253-4	LOCK WASHER	3
14	10-6090	PIVOT PIN	1
15	3220-3	NUT	2
16	8-7710	ORDER 99-1460	2
16	94-2959	ORDER 99-1460	2
16	99-1460	BALL JOINT RECEIVER ASSY.	2
17	5-1226	WASHER - SHIM	2
18	10-8110	PIVOT PIN WASHER	6
19	3-0348	ORDER 125-5196	4
19	125-5196	BUSHING	4
20	10-6110	ORDER 115-3259	1
20	114-4683	HINGE PIN ASM	1
20	115-3259	PIN - HINGE (GR 3/300/3000/3050/3100 RH & LH)	1
20	27-2550	ORDER 115-3260	1
20	115-3260	PIN - HINGE (GR 3/300/3000/3050/3100/3150 CTR/REAR)	1
20	94-8198	PIN - HINGE (GR 3200 SERIES RH/LH)	1
21	10-6060	ORDER 120-3199	1
21	120-3199	PIN - PIVOT	1
22	52-2720	ORDER 133-2337	1
22	133-2337	ROLLER ASSEMBLY	1
23	21-8470	SHAFT	1
24	37-8130	ORDER 36-7250	1
24	36-7250	GRASS BASKET	1
25	57-7650	SPRING - TORSION	3
26	57-7630	ORDER 63-8750	3
26	63-8750	PIN - PIVOT	3
27	62-2390-01	BAR - LIFT (LH)	1
27	62-2420-01	BAR - LIFT (RH & CTR)	1
27	94-5586-01	BAR - LIFT (LH 3000/3100/3050)	1
27	94-5588-01	BAR - LIFT (RH 3000/3100/3050)	1

GREENSMMASTER® — RIDERS

CARRIER FRAME & LIFT PIVOT PARTS



Carrier Frame & Lift Pivot Parts - continued

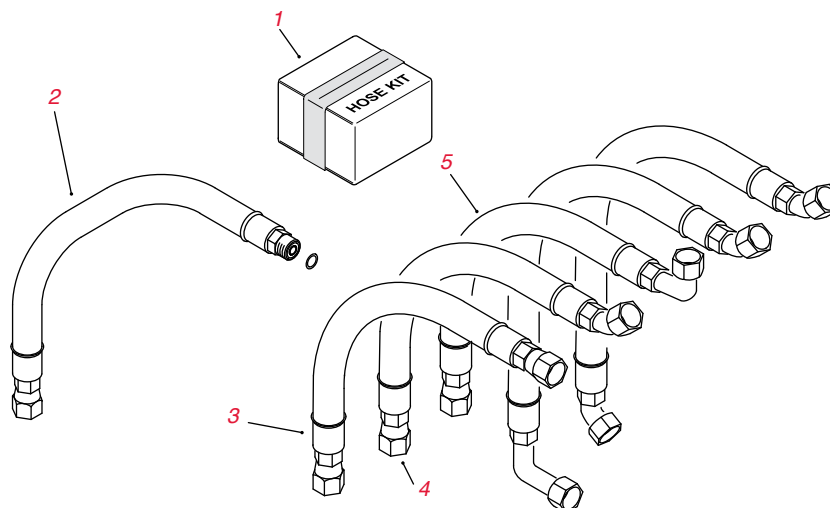
Ref. No.	Part No.	Description	Qty.
28	62-2440	LIFT ARM (RH) (INCL #19)	1
28	62-2460	LIFT ARM (LH) (INCL #19)	1
28	68-5380	LIFT ARM (CTR) (INCL #19)	1
31	104-2091	ROLLER - ANTI SCALP (3200)	3
32	256-292	BUSHING - FLANGE	6
33	3220-3	NUT - JAM	12
34	88-6870	EXTENSION - PULL ARM	6
35	99-4270	EXTENSION - PULL ARM (GR 3250D 2004 & UP)	6
35	94-2958	BALL STUD	6
37	253-83	SEAL - ROLLER	2
38	100-6440	PULL LINK AND BUSHING ASSEMBLY	2
39	95-0532	BUSHING - RUBBER	2
40	3272-12	PIN - COTTER	3
41	3256-26	WASHER - FLAT	3
46	104-2607	STRIP - BASKET	1
47	105-3838	SPACER - LIFT CYLINDER (GR 3250)	2
48	99-4209	SHAFT - ROLLER (GR 3250)	2
55	98-4166	BUSHING - SLEEVE	2
56	75-5270	SPACER	2
57	80-6990	WASHER - HARDENED	2
58	323-8	SCREW - HEX HD.	2
59	3290-382	RIVET - POP	8
60	99-4210	ROLLER - ANTI SCALP	6
61	99-4105	ORDER 104-2071	3
61	104-2071	GRASS BASKET ASSEMBLY (GR 3250D)	3
65	99-4114	ORDER 136-8577	3
*	136-8577	PULL FRAME ASM	3
67	33115-025	SCREW - HEX HD.	2

GREENSMASTER® — RIDERS

HYDRAULIC HOSES

Hydraulic Hoses

Ref. No.	Part No.	Description	Qty.
1	98-0642**	Cutting Unit Hydraulic Hose MVP Kit (3000/3050/3100)	1
1	117-2725**	Cutting Unit Hydraulic Hose MVP Kit (3150 2006 & Up)	1
1	117-2721**	Cutting Unit Hydraulic Hose MVP Kit (3250 2006 & Up)	1
1	136-8519**	Cutting Unit Hydraulic Hose MVP Kit (3300/3400)	1
2	63-3850	HOSE ASSEMBLY (GR 3000/3100) LH Cylinder Drop	1
2	63-3890	HOSE ASSEMBLY (GR 3000) LH Cylinder Lift Rear Cylinder Lift	2
2	83-1690	HOSE ASSEMBLY (GR 3050/3100) LH Cylinder Lift	1
2	92-9767	HOSE ASSEMBLY (GR 3000/3100) RH Cylinder Lift	1
2	95-5984	HOSE ASSEMBLY (GR 3000/3100) RH Reel Pressure	1
2	95-5988	HOSE ASSEMBLY (GR 3100) LH Reel Pressure	1
3	10-7670	HOSE ASSEMBLY (GR 3/300) LH Reel Return	1
3	27-2060	HOSE ASSEMBLY (GR 3/300) Rear Reel Return	1
3	63-3830	ORDER 95-5989	1
3	83-1350	HOSE ASSEMBLY (GR 3100) Power Steering Right Turn	1
3	83-1360	HOSE ASSEMBLY (GR 3100) Power Steering Left Turn	1
3	93-2258	HOSE ASSEMBLY Rear Cylinder Lift (3200)	1
3	95-2908	HOSE ASSEMBLY (GR 3150/3200/3250) Right and Left Reel Pressure	1
3	95-5985	HOSE ASSEMBLY (GR 3100) RH Reel Return	1
3	95-5987	HOSE ASSEMBLY (GR 3100) Rear Reel Return	1
3	95-5989	HOSE ASSEMBLY (GR 3000/3100) LH Reel Return	1
4	63-3930	HOSE ASSEMBLY (GR 3000) Rear Cylinder Drop	1
4	63-3950	HOSE ASSEMBLY (GR 3000) RH Cylinder Drop	1
4	95-5986	HOSE ASSEMBLY (GR 3100) Rear Reel Pressure	1
5	83-1680	HOSE ASSEMBLY (GR 3050/3100) Rear Cylinder Drop	1
5	93-2254	HOSE ASSEMBLY (GR 3200/3250) RH Cylinder Lift/Drop	1
5	93-2255	HOSE ASSEMBLY (GR 3200/3250) LH Cylinder Lift	1
5	93-2256	HOSE ASSEMBLY (GR 3200/3250) LH Cylinder Drop	1
5	93-2264	HOSE ASSEMBLY (GR 3200/3250) Reel Motor Case Drain	1
5	95-2907	HOSE ASSEMBLY (GR 3200/3250) Rear Reel Pressure	1
5	95-2909	HOSE ASSEMBLY (GR 3150/3200/3250) Right and Left Reel Return	1
5	94-1328	HOSE ASSEMBLY Rear Reel Motor Case Drain (3200)	1
5	94-3477	HOSE ASSEMBLY Rear Cylinder Drop (3200)	1
*	112-9185	HOSE ASSEMBLY (GR 3150 - 2007-2014) Hydraulic Lift	1
*	112-9185	HOSE ASSEMBLY (GR 3250 - 2007 & AFTER) Center Lift Arm	1
*	94-5357	HOSE ASSEMBLY (GR 3250 - UP TO 2014) Front Wheel and Brake	2
*	94-5358	HOSE ASSEMBLY (GR 3250 - 2007-2014) Front Wheel and Brake	2
*	99-6193	HOSE ASSEMBLY (GR 3150 - 2007 & AFTER) Hydraulic Traction	1

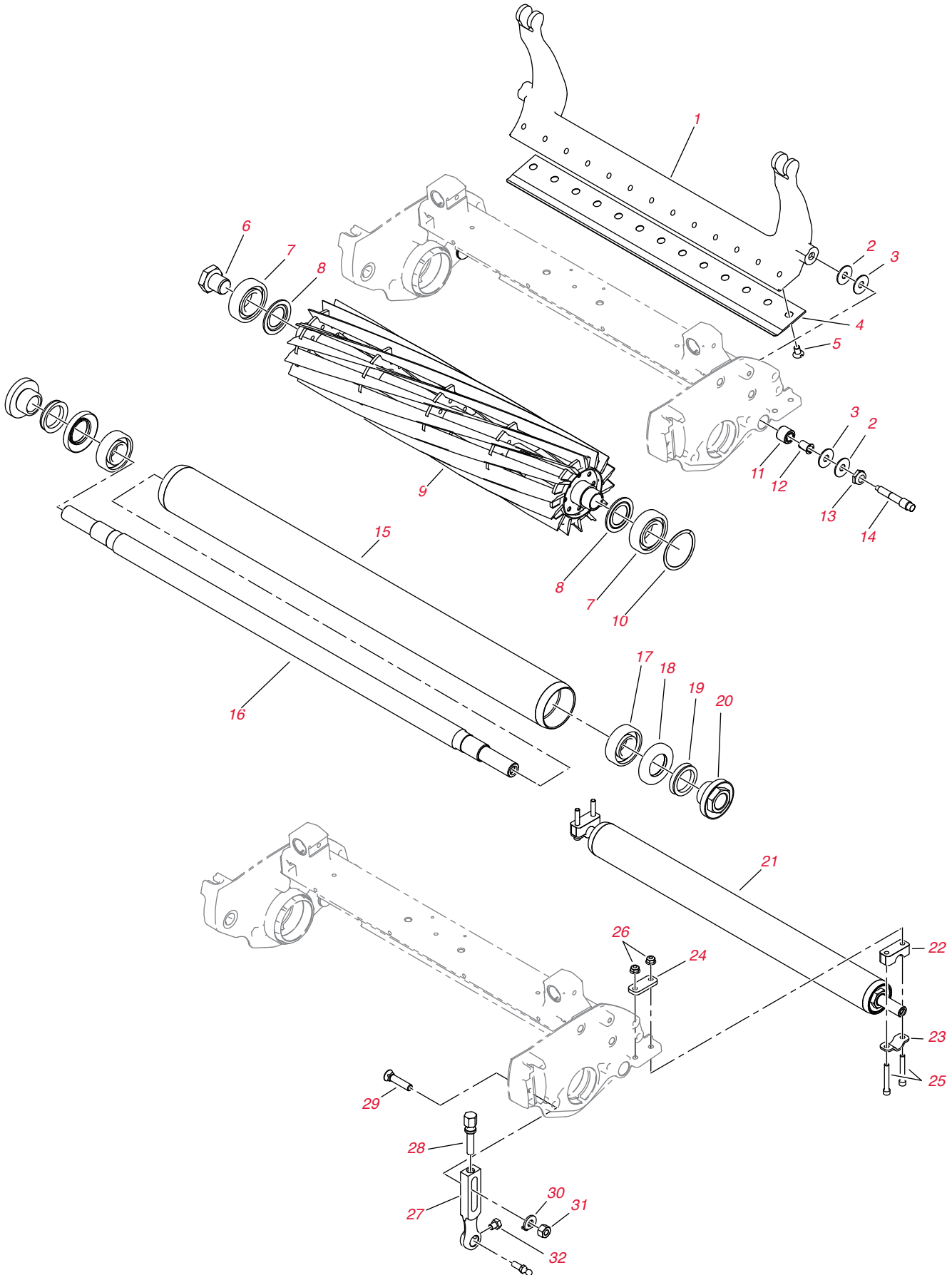


TriFlex® & TriFlex Hybrid Traction Unit

	Part No.	Description	Qty.
FILTERS			
	30042**	400 Hour Filter Kit (3300/3320)	A/R
	30043**	400 Hour Filter Kit (3400/3420)	A/R
	110-9049	FILTER-SPIN ON (3400/3420)	1
	108-3811	AIR FILTER (3400/3420)	1
	108-5194	HYDRAULIC OIL FILTER	1
	115-7854	FUEL FILTER, IN-LINE (3300/3320)	1
	94-2690	FUEL FILTER (3300/3320)	1
	115-8189	ENGINE OIL FILTER (3400/3420, 2014 & UP)	5
BEARINGS			
	See Quick Reference Guide for detailed information on bearing replacements for this model. Page 30-38		
	254-72	BEARING RACE - TAPERED CUP	2
	254-94	BEARING ASSEMBLY - TAPERED CONE (2011-2013)	2
	115-9471	ROLLER BEARING ASSEMBLY - TAPERED CUP	2
	115-9472	ROLLER BEARING ASSEMBLY - TAPERED CONE	2
	251-259	BALL BEARING ASSEMBLY - SEALED	1
	106-4237	BEARING (3300/3400 - 2011 & AFTER)	2
BELTS			
	119-4486	V-BELT	1
	117-4464	V-BELT	1
	105-5720	V-BELT, POLY	1
STARTER & ALTERNATOR			
	117-5541	ALTERNATOR	1
	110-3800	STARTER	1
TIRES			
	117-9031	ORDER 120-2783	1
	120-2783	TIRE (19 x 10.5-8) 4-PLY	1
SEAT			
	131-6691	SEAT COVER, LARGE	1
	137-1312	MESH SEAT COVER, LARGE	1
	32180-030	CLIP - TIE	1
	66-2630	LATCH - SEAT	1
OTHER			
	104-4620	SEAT (STD)	1
	125-1984	SPACER, TRACTION LINE ASM	5
	104-6478	SPRING - EXTENSION (3400/3420)	4
	32149-2	NUT - KEPS (GR 3300/3320)	1
	3234-42	SCREW - HHF (GR 3300/3320/3400/3420)	2
	325-12	SCREW - HH (GR 3300/3320/3400/3420)	2
	325-13	SCREW - HH (GR 3320)	1
	340-139	FITTING - ELBOW 90 (GR 3300/3320/3400/3420)	2
	68-3270	BUMPER - RUBBER (GR 3300/3320/3400/3420)	2
	74-1810	WASHER (GR 3320/3420)	2
	75-0560	STEERING WHEEL ASM (GR 3300/3320/3400/3420)	1
	92-2739	PIN - CLEVIS (GR 3300/3320/3400/3420)	3
	120-3230	SHAFT ASM	1
	100-1854	PLUG - GLOW (3400/3420)	3
	119-1652	THROTTLE (3300/3320)	1
	114-3315	SOLENOID (3300/3320)	1
	117-9507	PEDAL - ACCELERATOR	1
	117-9875	JOINT - BALL	3
	119-1735	CABLE - CONTROL, TRACTION (3300/3320)	1
	112-5757	MOUNT - ENGINGE, RUBBER (3300/3320)	2
	132-6994	HOUSING - BELL (3400)	1

GREENSMMASTER — RIDERS

GREENSMMASTER® TRIFLEX® & TRIFLEX® HYBRID



TriFlex¹ & TriFlex Hybrid DPA Cutting Unit

Ref. No.	Part No.	Description	Qty.
1	106-2648-01	BEDBAR	1
2	119-4150	WASHER-FLAT	4
3	52-2900	WASHER-PLASTIC	4
4	115-1881	BEDKNIFE-EDGEMAX, TOURNAMENT	1
4	93-4262	BEDKNIFE-MICROCUT	1
4	94-6392	BEDKNIFE-HIGHCUT	1
4	93-4263	BEDKNIFE-TOURNAMENT CUT	1
4	63-8610	BEDKNIFE-FAIRWAY	1
4	108-4303	BEDKNIFE-MICROCUT, EXTENDED	1
4	108-4302	BEDKNIFE-TOURNAMENT CUT, EXTENDED	1
4	93-4264	BEDKNIFE-LOW CUT	1
4	115-1880	BEDKNIFE-EDGEMAX, MICROCUT	1
5	57-4910	ORDER 119-4151	13
5	119-4151	SCREW-SPECIAL	13
6	115-7263	SCREW-LOCK, BEARING	1
7	115-3296	BEARING-SEALED	2
8	115-3299	SEAL-FLOCKED	2
9	119-4103	ORDER 137-8511	
9	127-2200	ORDER 137-8511	1
*	137-8511	EDGESERIES REELS + - 8 BLADE 21" LOW DRAG	1
9	132-7340	EDGESERIES REEL - 8 BLADE (5" DIA - GR 3000/3100/3200/3300/3400)	1
9	119-4104	ORDER 137-8512	
9	127-2201	ORDER 137-8512	1
*	137-8512	EDGESERIES REELS + - 11 BLADE 21" LOW DRAG	1
9	132-7341	EDGESERIES REEL - 11 BLADE (5" DIA - GR 3000/3100/3200/3300/3400)	1
9	119-4105	ORDER 137-8513	1
9	127-2202	ORDER 137-8513	1
*	137-8513	EDGESERIES REELS + - 14 BLADE 21" LOW DRAG	1
9	132-7342	ORDER 137-8513	1
*	137-8513	EDGESERIES REEL+ - 14 BLADE - (5" DIA - GR 3000/3100/3200/3300/3400)	1
10	115-5258	SPRING-FLAT WIRE	1
11	119-4153	RUBBER BUSHING ASM	2
12	52-2890	BUSHING-NYLON	2
13	119-4154	NUT-LOCK, NI	2
14	117-9493	BOLT-BEDBAR	2
15	119-4092	ROLLER TUBE ASM	1
16	119-4090	SHAFT-ROLLER	1
17	251-347	BEARING-BALL	2
18	106-6941	SEAL	2
19	106-6942	V-RING	2
20	108-3151	NUT-LOCK, BEARING	2
21	119-4093	REAR FULL ROLLER ASM	1
22	119-4166	SPACER-HEIGHT, ROLLER	2
23	119-4157	RETAINER-SHAFT	2
24	119-4165	SHIM-HEIGHT, ROLLER	2
25	119-4035	SCREW-HSH	4
26	119-4040	NUT-FLANGE, NI	4
27	115-7041	ARM-HOC	2
28	110-7352	SCREW-HOC	2
29	99-3773	BOLT-PLOW	2
30	119-4158	WASHER-HOC	2
31	115-7193	NUT-HOC	2
32	119-4067	SCREW-HH	2
*	105-6792	REPLACEMENT REAR ROLLER BRUSH	1
*	104-1834	IDLER BEARING ASM - REAR ROLLER BRUSH ASM	1
*	107-3509	STEEL ROLLER ASM (GR 3300/3400)	1
*	110-7352	SCREW - HOC (GR 3300/3400)	2
*	117-6619	BUSHING (3300/3400)	1
*	119-4095	GRASS SHIELD ASM (3300/3400)	1
*	120-3221	LH REEL NUT ASM	1
*	360-0398	O-RING (GR 3300/3400)	1
*	132-6959	BALLJOINT	6

REELMASTER®

112 Reelmaster® 216 / 2000D / 2300D / 2600D / 3100D

124 Reelmaster 335D / 3500D / 450D / 4000D / 4500D

132 Reelmaster 223D / 5100D / 5200D / 5300D / 5500D

140 Reelmaster 5010-H / 5210 / 5410 / 5510 / 5610

148 Reelmaster 5500D / 6500D / 6700D

158 Reelmaster 7000D

164 Reelmaster 3550D / 3555 / 3575

REELMASTER

REELMASTER® 216 / 2000D / 2300D / 2600D / 3100D

Traction Unit Parts

Part No.	Description	Qty.
FILTERS		
30016**	400 Hour Filter MVP Kit (RM 3100D - 1999-07)	A/R
30053**	400 Hour Filter MVP Kit (RM 3100D - 2008 & Up)	A/R
85-4930	FILTER - ENGINE OIL (RM 216D, 2300D, 2600D)	1
492932S	ORDER 107-7817	1
107-7817	FILTER - ENGINE OIL (GP 2000)	1
99-9017	ORDER 108-3842	1
108-3842	FILTER - ENGINE OIL (GP 2000D/RM 2000D)	1
98-9651	ORDER 108-3841	1
99-8384	ORDER 108-3841	1
104-5167	ORDER 108-3841	1
108-3841	FILTER - ENGINE OIL (RM 3100D)	1
98-9493	ELEMENT - BREATHER (RM 3100D)	1
33-1300	ORDER 108-3808	1
108-3808	ELEMENT - AIR CLEANER (RM 216D)	1
93-2195	ORDER 108-3811	1
108-3811	ELEMENT - AIR CLEANER (RM 2000D, 2300D, 2600D, 3100D)	1
38-8000	ORDER 108-3854	1
108-3854	FILTER - FUEL	1
98-7612	FILTER - FUEL, PLASTIC (RM 3100)	1
108-3828	FILTER - FUEL, METAL (RM 3100)	1
63-8300	ELEMENT - SEPARATOR (GP 2000D/RM 2000D)	1
98-9764	ELEMENT - SEPARATOR (RM 3100D 1999-2007)	1
110-9049	ELEMENT - SEPARATOR (RM 3100D 2008 & UP)	1
112-9140	BIO-DIESEL FUEL FILTER KIT (RM 3100D)	1
112-7836	IN-LINE FUEL FILTER (BIO-DIESEL KIT RM3100D)	1
110-9015	ELEMENT - SEPARATOR (BIO-DIESEL KIT RM 3100D)	1
98-9305	WATER/FUEL FILTER ASSEMBLY (RM 3100D 1999-2007)	1
54-0110	FILTER - HYDRAULIC OIL	1
BELTS		
61-3390	BELT - JACKSHAFT DRIVE (RM216)	1
61-3380	V-BELT - REEL DRIVE (RM 216)	1
83-9020	V-BELT - COOLING FAN DRIVE (RM216D)	1
130-1241	V-BELT - ALTERNATOR DRIVE (RM 3100D)	1
92-3187	MULTI-ROW V-BELT - JACKSHAFT DRIVE (RM 216D)	3
61-3400	MULTI-ROW V-BELT - PUMP DRIVE (RM216)	1
93-6840	MULTI-ROW V-BELT - PUMP DRIVE (RM 2000D/2300D/2600D)	1
95-8730	MULTI-ROW V-BELT - PUMP DRIVE (RM 3100D)	1
TIRES		
119-3516	Tire - Front (& Rear 3Wd) (18 X 8.5 - 8) 4 Ply (216/216D)	A/R
231-114	ORDER 231-122	1
231-122	TIRE - REAR (18 X 6.5 - 8) 4 PLY (2WD) (216/216D)	1
99-4506	TIRE - FRONT & REAR (20 X 10 - 8) 4-PLY TURF-MATE (2000 SER)	2
104-0451	ORDER 117-5125	2
117-5125	TIRE (20 X 12 - 10) 4-PLY TURF TRAC (3100D, 2010 MODEL)	1
95-8656	Order 115-1572	
115-1572	TIRE (20 X 10 - 10) 4-PLY TURF TRAC (3100D, 2010 MODEL - CURRENT)	1
BEARINGS		
See Quick Reference Guide for detailed information on bearing replacements for this model. Page 30-38		
94-3405	BEARING - BALL (RM216 JACKSHAFT)	2
251-321	BEARING - REAR WHEEL	2
251-8	BEARING - BALL	1
251-259	BEARING - BALL (NEUTRAL ARM - 216/2300D/2600D/3100D)	1
38-7820	BEARING - BALL (RM216 JACKSHAFT IDLER)	2
251-77	BEARING COLLAR	2

Traction Unit Parts - continued

	Part No.	Description	Qty.
STARTER & ALTERNATOR			
	99-9207	ORDER 110-2598	1
	110-2598	STARTER (RM 2000D)	1
	98-9705	STARTER (RM 3100D)	1
	99-9209	ALTERNATOR (RM 2000D)	1
	131-6557	ALTERNATOR (RM 3100D)	1
	115-2292	TIMER - GLOW PLUG (RM 2000)	1
HYDRAULIC MOTOR			
	104-4890	PISTON PUMP ASM - HYDROSTAT (RM 3100D)	1
	112-9916	HYDRAULIC CYLINDER ASM (RM 3100D)	1
	110-8785	MOTOR - HYDRAULIC CCW (RM 3100D)	1
	115-8250	GEAR MOTOR ASM (RM 3100D)	1
	121-7856	STEERING ARM ASM (RM 3100D)	1
	29-6162	SWITCH-MICRO (RM 216/3100D)	1
	95-8802	PULLEY-IDLER, HYDROSTAT ASM	1
	104-4840	TANK-HYD, HYDRAULIC TANK ASM	1
	105-1214	HOSE-HYD, HYDROSTAT ASM (RM 3100D)	1
	3274-99	SCREW-HSH, HYRAULIC MOTOR INSTALLATION ASM	8
	69-4320	FITTING-HYD, 90 DEG (RM 3100D)	1
	95-8835	HOSE ASM (RM 3100D)	1
	95-8836	HOSE ASM, MOTOR ASM (RM 3100D)	1
	340-139	FITTING - ELBOW 90 (RM 2000)	2
	75-0560	STEERING WHEEL ASM (RM 3100D)	1
	95-8826	HOSE ASM - REEL MOTOR (RM 3100D 1999-2009)	1
	95-8827	HOSE ASM - REEL MOTOR (RM 3100D)	1
	340-139	FITTING - ELBOW 90 (RM 3100D)	1
	95-8601	GEAR PUMP ASM (RM 3100D)	1
	95-8843	HOSE - HYD, STEERING COLUMN (RM 3100D)	1
	99-3439	HOSE - ASM (RM 3100D)	1
	80-7342	HOSE - HYD (RM 3100D)	1
SEAT			
	104-4620	SEAT-STD (RM 2000D/3100D)	1
	92-8991	ADJUSTER, SEAT ASM (RM 2000D/3100D)	1
	131-6691	SEAT COVER, LARGE	1
	137-1312	MESH SEAT COVER, LARGE	1
OTHER			
	105-1221	HOSE ASM, REAR FORK & TIRE ASM	1
	105-1222	HOSE ASM, REAR FORK & TIRE ASM	1
	107-7828	REAR CASTING ASM	1
	95-8783	TUBE ASM, FRONT WHEEL & BRAKE ASSEMBLY (RM 3100D)	1
	95-8784	TUBE ASM, FRONT WHEEL & BRAKE ASSEMBLY (RM 3100D)	1
	104-4817	LEVER-BRAKE (RM 3100D)	1
	104-0485-03	SHIELD-WHEEL (RM 3100D)	1
	100-4929	SLOPE INDICATOR ASM (RM 3100D)	1
	106-4154	FLOORPLATE ASM (RM 3100D)	1
	104-4852-03	PEDAL-TRACTION, TRACTION PEDAL ASM (RM 3100D)	1
	100-4815	CABLE-CONTROL, TRACTION (RM 3100D)	1
	99-3623-03	ARM-IDLER	1
	95-8982	TUBE ASM, REAR LIFT ARM	1
	95-8981	TUBE ASM, REAR LIFT ARM	1
	233-70	KNOB-STAR, BATTERY ASM (RM 3100D)	2
	95-8934	RADIATOR (RM 3100D)	1
	95-8689	SINGLE SPOOL CONTROL VALVE ASM (RM 3100D)	1
	95-8575	PIN, CARRIER ASM (RM 3100D)	1
	115-3475	REAR LIFT ARM ASM (RM 3100D)	1
	104-0422	NEUTRAL ARM ASM (RM 2000D/3100D)	1
	95-8990	SHAFT-PIVOT REAR, REAR LIFT ARM ASM (RM 3100D)	1
	99-3478	TREAD-FOOT (RM 3100D), FRONT PLATFORM ASM	1
	95-8724-03	SCREEN-HOOD (RM 3100D), HOOD ASSEMBLY	1
	104-0462	HUB WHEEL, SPACER	1
	95-8905-01	FORK - REAR (RM 3100D)	1
	117-5129	REAR FOR AND TIRE ASM (RM 3100D)	1

REELMASTER

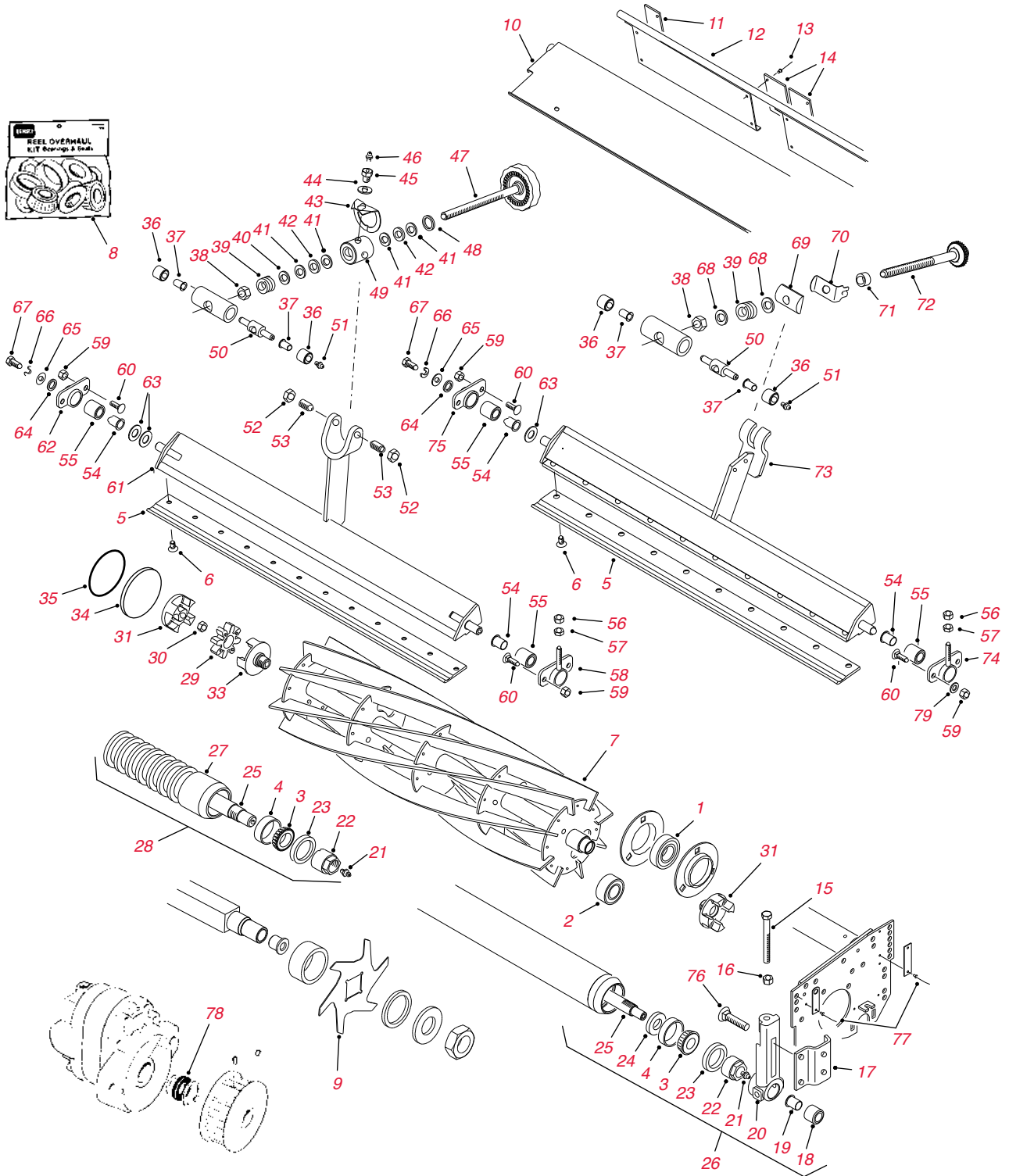
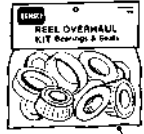
REELMASTER® 216 / 2000D / 2300D / 2600D / 3100D

Traction Unit Parts- continued

	Part No.	Description	Qty.
<i>OTHER-</i>			
<i>continued</i>			
	70-9870	PLATE-BACKING	1
	104-4809	DRUM-BRAKE	1
	3274-105	SCREW-HSBH, FRONT WHEEL & BRAKE ASM	1
	119-6968	DIPSTICK - OIL	1
	98-8796-03	SUPPORT - BATTERY	1
	105-8536-01	STEERING ARM (RM 3100D)	1
	110-8795	CABLE - THROTTLE	1
	108-9037	MANIFOLD ASM	1
	95-8933-03	PLATE - MOUNT, PUMP	1
	95-8854	CABLE - BATTERY, NEGATIVE	1
	95-8971	GAUGE - FUEL	1
	3234-42	SCREW - HHF (RM 3100D)	2
	353-781	FITTING - ELBOW	1
	95-8581	2-SPOOL CONTROL VALVE ASM	1
	95-8904-03	BRACKET - CLAMP	1
	95-8884	CLAMP	4
	99-3373	BAR - SUPPORT SLIDE	2
	340-68	FITTING - TEE BULKHEAD	2
	104-5190-03	PANEL - CONTROL	1
	100-4930-03	CARRIER - ASM (RM 3100D)	1
	104-4834	MUFFLER (RM 3100)	1
	95-8568-03	FRAME - LOWER (RM 3100D)	1
	95-8620	TANK - FUEL (RM 3100D)	1
	100-4903-03	FRAME - RADIATOR (RM 3100D)	1
	100-4838-03	MOUNT - ENGINE (RM 3100D)	1
	99-3412-03	PULLEY (RM 3100D)	1
	112-9919	STOP - CABLE, THROTTLE (RM 3100D)	1
	112-8935	FRAME - CENTER (RM 3100D 2010 & UP)	1
	112-8978	FRAME - CENTER (RM 3100D)	1
	86-5390	SEAL KIT (RM 3100D)	1
	100-1854	PLUG - GLOW (RM 3100D)	3
	340-6	FITTING - STRAIGHT	2

REELMASTER

REELMASTER® 216 / 2000D / 2300D / 2600D / 3100D

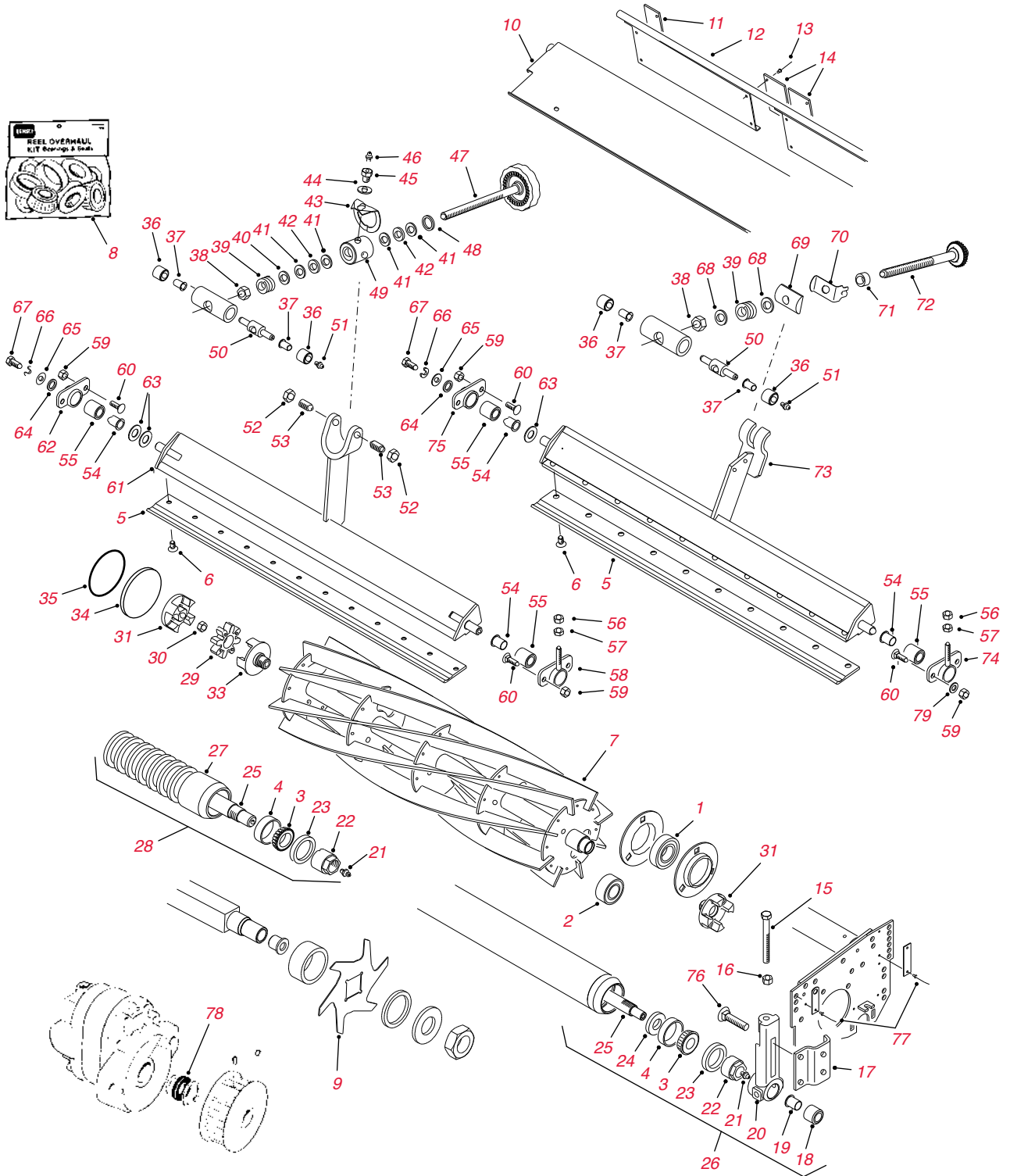
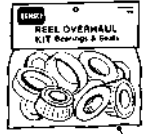


SPA (Single Point Adjust) Cutting Unit Parts

Ref. No.	Part No.	Description	Qty.
1	251-320	ORDER 71-1360	1
1	71-1360	REEL BEARING (RM 216 1987-88)	2
1	251-331	REEL BEARING (RM 216 1989 & UP)	2
2	88-7880	BEARING - REEL (RM 2300D/2600D)	2
2	100-4926	BEARING - REEL (RM 2000D/3000D)	2
3	254-78	BEARING CONE	2
4	254-79	BEARING CUP	2
5	105-6785	BEDKNIFE - 27" LOW-CUT (11 BLADE)	1
5	112-8910	BEDKNIFE - 27" FAIRWAY-CUT EXT. EDGEMAX	
5	104-1380	BEDKNIFE - 27" FAIRWAY-CUT	1
5	104-1381	BEDKNIFE - 32" HIGH-CUT	1
5	94-5079	BEDKNIFE - 32" LOW-CUT	1
5	112-8956	ORDER 114-9389	1
*	114-9389	BEDKNIFE - STANDARD	1
	57-4910	ORDER 119-4151	10
6	119-4151	BEDKNIFE SCREW	10
	99-3482	ORDER 130-4119	
7	130-4119	REEL ASSEMBLY 5 BLADE (7" DIA - RM 2000D/2300D/3100D)	1
	99-3483	ORDER 130-4123	
7	130-4123	REEL ASSEMBLY 8 BLADE (7" DIA - RM 2000D/2300D/3100D)	1
	99-3484	ORDER 130-4132	
7	130-4132	REEL ASSEMBLY 5 BLADE (7" DIA - RM 2000D/2600D/3100D)	1
	99-3485	ORDER 130-4136	
7	130-4136	REEL ASSEMBLY 8 BLADE (7" DIA - RM 2000D/2600D/3100D)	1
	105-6768	ORDER 130-4127	
7	130-4127	REEL ASSEMBLY 11 BLADE (7" DIA - RM 2000D/2300D/3100D)	1
8	13-3649**	Cutting Unit Overhaul MVP Kit (RM 216)	A/R
10	94-3621	SHIELD - FRONT 27"	1
10	94-5053	SHIELD - FRONT 32"	1
11	61-3280	RUBBER COVER - SIDE	2
12	94-4969	SHIELD - REAR (2600/3100)	1
12	93-8849	SHIELD - GRASS (216/2300)	1
13	700382	RIVET - POP	12
14	61-3290	RUBBER COVER - CENTER	2
15	323-57	ORDER 61-0790	4
15	61-0790	SCREW - ADJUSTMENT	4
16	3296-39	NUT - LOCK	2
17	61-0910	BRACKET - HOC	2
18	56-9510	BUSHING	6
19	56-9520	FLANGED BUSHING	6
20	61-0430-01	BRACKET - HOC REAR	4
20	61-0440-01	ORDER 14-4489	4
20	14-4479	BRACKET - HOC REAR (RM 3100) (INCL #18)	2
20	14-4489	BRACKET - HOC FRONT (RM 3100) (INCL #18)	2
21	302-5	GREASE FITTING	3
22	71-3590	ADJUSTMENT NUT	2
23	105-0150	SEAL - OUTER	2
24	253-152	SEAL - INNER	2
25	61-0400	ORDER 105-0156	1
25	94-4983	ORDER 105-0158	1
25	105-0156	SHAFT - ROLLER 27"	1
25	105-0158	SHAFT - ROLLER 32"	1
26	62-7100	ORDER 61-0410	1
26	61-0410	ROLLER ASSEMBLY 27"	1
26	94-4982	ROLLER ASSEMBLY - SOLID 32"	1
*	106-9607**	Roller Rebuild MVP Kit	A/R

REELMASTER

REELMASTER® 216 / 2000D / 2300D / 2600D / 3100D

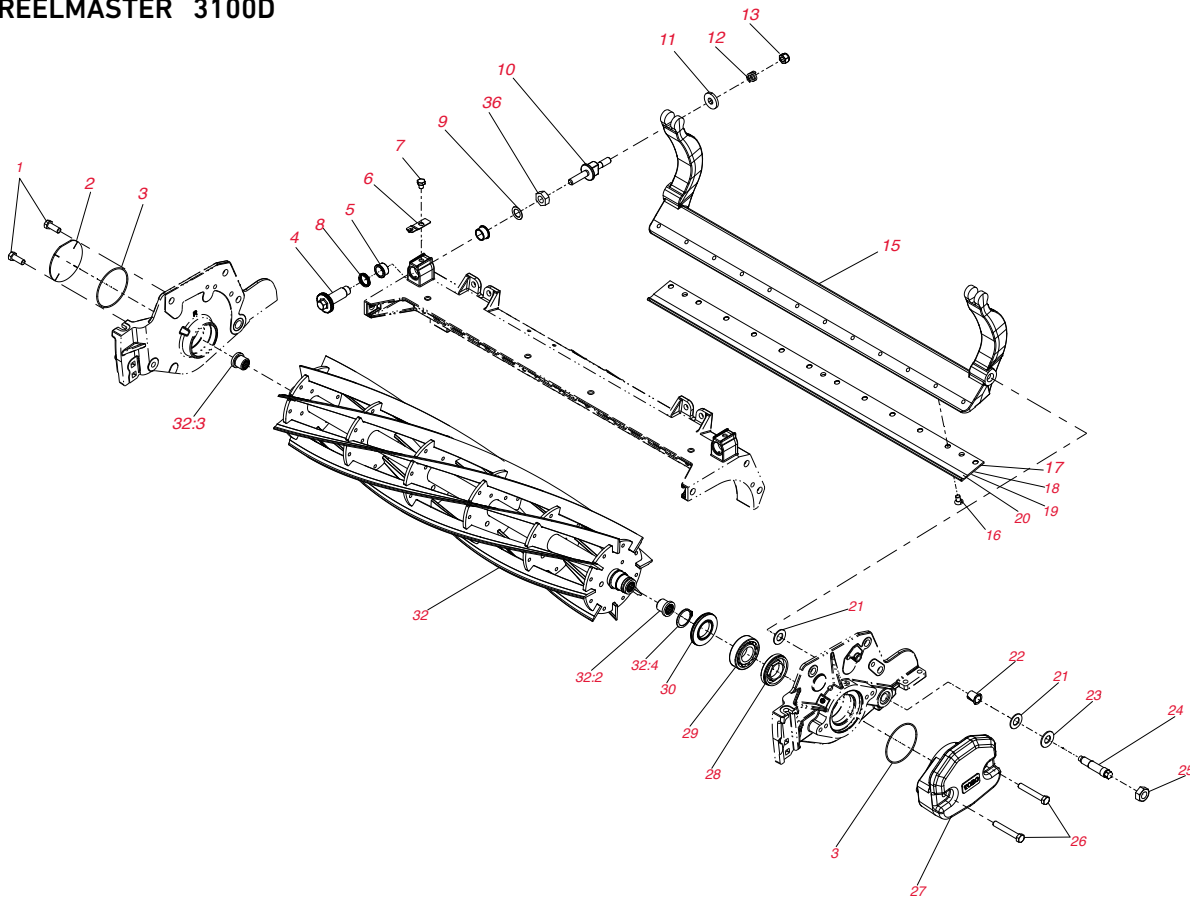


SPA (Single Point Adjust) Cutting Unit Parts - continued

Ref. No.	Part No.	Description	Qty.
27	104-1386-03	WIEHLE ROLLER TUBE 27"	1
27	104-1389-03	WIEHLE ROLLER TUBE 32"	1
28	62-7410	ORDER 92-1846	1
28	92-1846	WIEHLE ROLLER ASSEMBLY 27"	1
28	104-1385	WIEHLE ROLLER ASSEMBLY 27"	1
28	94-4993	WIEHLE ROLLER ASSEMBLY 32"	1
28	104-1388	WIEHLE ROLLER ASSEMBLY 32"	1
29	93-8827	SPIDER (2300/2600/3100)	1
30	32128-48	NUT - HEX LOCK	1
31	93-8823	COUPLER - REEL MOTOR	1
32	93-8825	COUPLER - REEL RH THREAD	1
33	93-8826	COUPLER - REEL LH THREAD	1
34	94-2703	PLUG	1
35	353-949	SEAL - O-RING (REEL MOTOR MOUNTING)	1
36	62-5510	RUBBER BUSHING	2
37	52-2890	FLANGED BUSHING - NYLON	2
38	3296-62	LOCKNUT	1
39	57-5270	SPRING	1
40	29-8870	WASHER-FLAT	1
41	257-5	WASHER	2
42	257-6	BEARING	1
43	52-3000	ARM-SPRING	1
44	3256-25	WASHER - FLAT	1
45	52-2990	SCREW - SPRING RETAINER	1
46	302-5	GREASE FITTING	3
48	253-84	SEAL - ADJUST HANDLE	1
49	52-2980	PIVOT S.P.A.	1
50	57-5260	ORDER 107-7490	1
50	107-7409	PIN - BEDBAR PIVOT	1
51	302-18	FITTING - GREASE	1
52	3218-18	NUT - JAM	2
53	57-5190	SCREW - ADJUSTMENT	2
54	56-9520	FLANGED BUSHING	6
55	56-9510	BUSHING	6
56	3296-4	NUT - LOCK	1
57	3219-2	NUT - LOCK	1
58	93-6855	HOUSING - BEDBAR ADJUST	1
59	3296-29	NUT - LOCK	4
60	3230-1	SCREW - CARRIAGE	4
61	61-1210-01	BEDBAR (27")	1
62	61-1010	HOUSING - BEDBAR	1
63	61-1950	WASHER - BEDBAR	2
64	62-7120	SPACER	1
65	3256-56	WASHER - FLAT	1
66	3253-4	WASHER - LOCK	1
67	322-3	SCREW - CAP HEX HD	1
68	29-8910	WASHER	2
69	93-2892	PIVOT - BEDBAR	1
70	95-8752	ARM - SPRING	1
71	93-2959	SPACER - ADJUSTER	1
72	95-8877	ORDER 106-7536	1
72	106-7536	ADJUSTER - BEDBAR	1
76	3231-2	BOLT - CARRIAGE	4
77	3290-55	RIVET - POP	8
77	66-5710	ORDER 117-8976	
78	117-8976	SEAL - REEL MOTOR SHAFT	1
79	3256-74	WASHER - FLAT	4
*	104-6478	SPRING - EXTENSION (RM 2000)	2
*	32144-1	SCREW - TAPTITE (RM 2000)	3
*	3220-5	NUT - JAM (RM 2000)	1
*	353-781	FITTING - ELBOW (RM 2000)	1

REELMASTER

REELMASTER® 3100D



DPA (Dual Point Adjust) Cutting Units Parts

Ref. No.	Part No.	Description	Qty.
1	323-6	SCREW-HH	2
2	94-2703	PLUG	1
3	112-6967	O-RING	2
4	120-5118	SHAFT-ADJUSTER	2
5	106-5344	BUSHING-FLANGED, KEYED	4
6	99-2097	DETENT	2
7	114-9396	CAPSCREW-HH	2
8	120-5116	WASHER-WAVE	2
9	108-0015	WASHER-FLAT	2
10	115-7039	SCREW-ADJUSTER, BEDBAR	2
11	119-4155	WASHER-HARDENED	2
12	120-5120	SPRING-COMPRESSION	2
13	119-4039	NUT-HEX, NI	2
15	112-8908-01	BEDBAR	1
*	112-8954-01	BEDBAR	1
16	119-4151	SCREW-BEDKNIFE	10
17	114-9388	BEDKNIFE - 27" FAIRWAY STD	1
18	112-8910	BEDKNIFE - 27" FAIRWAY-CUT EXT. EDGEMAX	1
19	114-9390	BEDKNIFE - 27" FAIRWAY HD	1
20	120-1641	BEDKNIFE - 27" LOW HOC EXT	1
20	105-6785	BEDKNIFE - 27" LOW-CUT (11 BLADE)	1
20	104-1380	BEDKNIFE - 27" FAIRWAY HIGH-CUT	1
20	104-1381	BEDKNIFE - 32" FAIRWAY HIGH-CUT	1
20	94-5079	BEDKNIFE - 32" FAIRWAY LOW-CUT	1
20	112-8956	ORDER 114-9389	1
*	114-9389	BEDKNIFE - 32" FAIRWAY STD	1
*	120-1642	BEDKNIFE - 32" LOW CUT EXTENDED	1
*	114-9391	BEDKNIFE - 32" FAIRWAY HD	1
21	61-1950	WASHER-PLASTIC	4
22	56-9520	FLANGED BUSHING	2

DPA (Dual Point Adjust) Cutting Units Parts - continued

Ref. No.	Part No.	Description	Qty.
23	69-8980	WASHER	2
24	106-9623	BOLT-BEDBAR	2
25	3296-33	NUT-LOCK, NI	2
26	323-12	SCREW-HH	2
27	119-0614-01	WEIGHT-END	1
28	107-2954	BEARING , NUT-ADJUSTER	1
29	93-2489	BEARING	2
30	107-4028	SEAL-GREASE	2
32	115-8270	ORDER 127-2093	1
32	127-2093	REEL - 5 BLADE (7" DIA - CUTTING UNIT 03180)	1
32	115-8275	ORDER 127-2094	1
32	127-2094	REEL - 8 BLADE (7" DIA - CUTTING UNITS 03710/03181)	1
	133-8269	EDGESERIES REEL - 8 BLADE (7" DIA - CUTTING UNITS 03710/03181)	
32	115-8282	ORDER 127-2104	1
32	127-2104	REEL - 5 BLADE (7" DIA - CUTTING UNITS 03182/03712)	1
32	115-8286	ORDER 127-2105	1
32	127-2105	REEL - 8 BLADE (7" DIA - CUTTING UNITS 03182/03712)	1
	133-8271	EDGESERIES REEL - 11 BLADE (7" DIA - CUTTING UNITS 03183/03711)	
	133-8273	8 BLADE (7" DIA - CUTTING UNITS 03182/03712)	
32	115-8278	ORDER 127-2095	1
32	127-2095	REEL - 11 BLADE (7" DIA - CUTTING UNITS 03183/03711)	1
*	137-8482	EDGESERIES REELS+ - 5 BLADE, 21" LOW DRAG, RR (SERVICE ONLY)	1
32:2	107-3276	INSERT-THREADED, LH	1
32:3	107-3275	INSERT-THREADED, RH	1
32:4	92-2601	RING-RETAINING	2
*	120-7230	HD DPA MVP Kit	A/R
*	110-9600	DPA High HOC KIT	A/R
*	106-9607**	Roller Rebuild MVP Kit	A/R
*	110-4086	GROOMER/RRB BEARING & SEAL KIT	2
*	93-3038-03	BLADE - DETHATCHER (STD)	16
*	106-8625	BLADE - DETHATCHER (CARBIDE TIPPED)	16
*	94-3621	SHIELD - FRONT 27"	1
*	94-5053	SHIELD - FRONT 32"	1
*	61-3280	RUBBER COVER - SIDE	2
*	112-8944-01	SHIELD - REAR	1
*	61-3290	RUBBER COVER - CENTER	2
*	323-57	ORDER 61-0790	4
*	61-0790	SCREW - ADJUSTMENT	4
*	3296-39	NUT - LOCK	2
*	61-0910	BRACKET - HOC	2
*	56-9510	BUSHING	6
*	61-0430-01	BRACKET - HOC REAR	4
*	61-0440-01	ORDER 14-4489	4
*	14-4479	BRACKET - HOC REAR (INCL #18)	2
*	14-4489	BRACKET - HOC FRONT (INCL #18)	2
*	302-5	GREASE FITTING	3
*	71-3590	ADJUSTMENT NUT	2
*	105-0150	SEAL - OUTER	2
*	253-152	SEAL - INNER	2
*	61-0400	ORDER 105-0156	1
*	94-4983	ORDER 105-0158	1
*	105-0156	SHAFT - ROLLER 27"	1
*	105-0158	SHAFT - ROLLER 32"	1
*	62-7100	ORDER 61-0410	1
*	61-0410	ROLLER ASSEMBLY 27"	1
*	94-4982	ROLLER ASSEMBLY - SOLID 32"	1
*	104-1386-03	WIEHLE ROLLER TUBE 27"	1

REELMASTER

REELMASTER® 3100D

DPA (Dual Point Adjust) Cutting Units Parts - continued

Ref. No.	Part No.	Description	Qty.
*	104-1389-03	WIEHLE ROLLER TUBE 32"	1
*	62-7410	ORDER 92-1846	1
*	92-1846	WIEHLE ROLLER ASSEMBLY 27"	1
*	104-1385	WIEHLE ROLLER ASSEMBLY 27"	1
*	94-4993	WIEHLE ROLLER ASSEMBLY 32"	1
*	104-1388	WIEHLE ROLLER ASSEMBLY 32"	1
*	93-8827	SPIDER	1
*	32128-48	NUT - HEX LOCK	1
*	93-8823	COUPLER - REEL MOTOR	1
*	93-8825	COUPLER - REEL RH THREAD	1
*	93-8826	COUPLER - REEL LH THREAD	1
*	353-949	SEAL - O-RING (REEL MOTOR MOUNTING)	1
*	62-5510	RUBBER BUSHING	2
*	52-2890	FLANGED BUSHING - NYLON	2
*	3296-62	LOCKNUT	1
*	57-5270	SPRING	1
*	29-8870	WASHER-FLAT	1
*	257-5	WASHER	2
*	257-6	BEARING	1
*	52-3000	ARM-SPRING	1
*	3256-25	WASHER - FLAT	1
*	52-2990	SCREW - SPRING RETAINER	1
*	253-84	SEAL - ADJUST HANDLE	1
*	57-5260	ORDER 107-7490	1
*	107-7409	PIN - BEDBAR PIVOT	1
*	302-18	FITTING - GREASE	1
*	3218-18	NUT - JAM	2
*	57-5190	SCREW - ADJUSTMENT	2
*	3296-4	NUT - LOCK	1
*	3219-2	NUT - LOCK	1
*	93-6855	HOUSING - BEDBAR ADJUST	1
*	3296-29	NUT - LOCK	4
*	3230-1	SCREW - CARRIAGE	4
*	61-1010	HOUSING - BEDBAR	1
*	3256-56	WASHER - FLAT	1
*	3253-4	WASHER - LOCK	1
*	322-3	SCREW - CAP HEX HD	1
*	29-8910	WASHER	2
*	93-2892	PIVOT - BEDBAR	1
*	95-8752	ARM - SPRING	1
*	93-2959	SPACER - ADJUSTER	1
*	115-3466	RH SHORT LIFT ARM ASM	1
*	95-8877	ORDER 106-7536	1
*	106-7536	ADJUSTER - BEDBAR	1
*	95-8739-01	BEDBAR (27")	1
*	95-8748-01	BEDBAR (32")	1
*	16-9769	HOUSING - BEDBAR ADJUST (INCL #55)	1
*	14-4459	HOUSING - BEDBAR (INCL #55)	1
*	3231-2	BOLT - CARRIAGE	4
*	3290-55	RIVET - POP	8
*	66-5710	ORDER 115-8039	1
*	3256-74	WASHER - FLAT	4
*	29-9100	BRUSH AND HANDLE ASM	1
*	115-0833	BELT - BRUSH, 7" (UNIVERSAL GROOMER)	1
*	114-9384	FULL FRONT ROLLER ASM	1
*	117-0990	PLASTIC WIEHLE ROLLER ASM	1
*	130-4105	BLADE - GROOMER (UNIVERSAL GROOMER)	1

DPA (Dual Point Adjust) Cutting Units Parts - continued

Ref. No.	Part No.	Description	Qty.
*	115-0813	BRUSH - ROLLER	1
*	3296-45	NUT - LOCK, NI	2
*	321-10	SCREW - HH	1
*	92-5821	HEAD - FILTER	1
*	115-0828	BELT - BRUSH, 7"	2
*	74-1810	WASHER	2
*	114-2726	LEVER - BRAKE	2
*	95-8980	TUBE ASM	1
*	32144-1	SCREW - TAPTITE (2010 & UP)	2
*	112-8961	REAR ROLLER ASM	1
*	95-8840	HOSE ASM	1
*	115-0838	BRUSH - ROLLER	1
*	115-4263	PLATE - SIDE, RH	1
*	32144-4	SCREW - HWH	4
*	353-781	FITTING - ELBOW	1
*	115-0839	SPRING - IDLER	1
*	119-0640	PLASTIC SHOULDER ROLLER ASM (2010 & UP)	1
*	117-3759	FULL FRONT ROLLER ASM (2010 & UP)	1
*	117-3756	FULL REAR ROLLER ASM (2010 & UP)	1
*	119-0625	SHAFT ASM (2010 & UP)	1
*	117-3764	PLATE - SIDE, LH (2010-2016)	1
*	117-3763	PLATE - SIDE, RH (2010-2016)	1
*	115-0811	27" ROLLER BRUSH ASM	1
*	119-0631	ROLLER - SHOULDER, PLASTIC	1
*	108-6715	GAUGE BAR ASM	1

REELMASTER

REELMASTER® 335D / 3500D / 450D / 4000D / 4500D

Traction Unit Parts

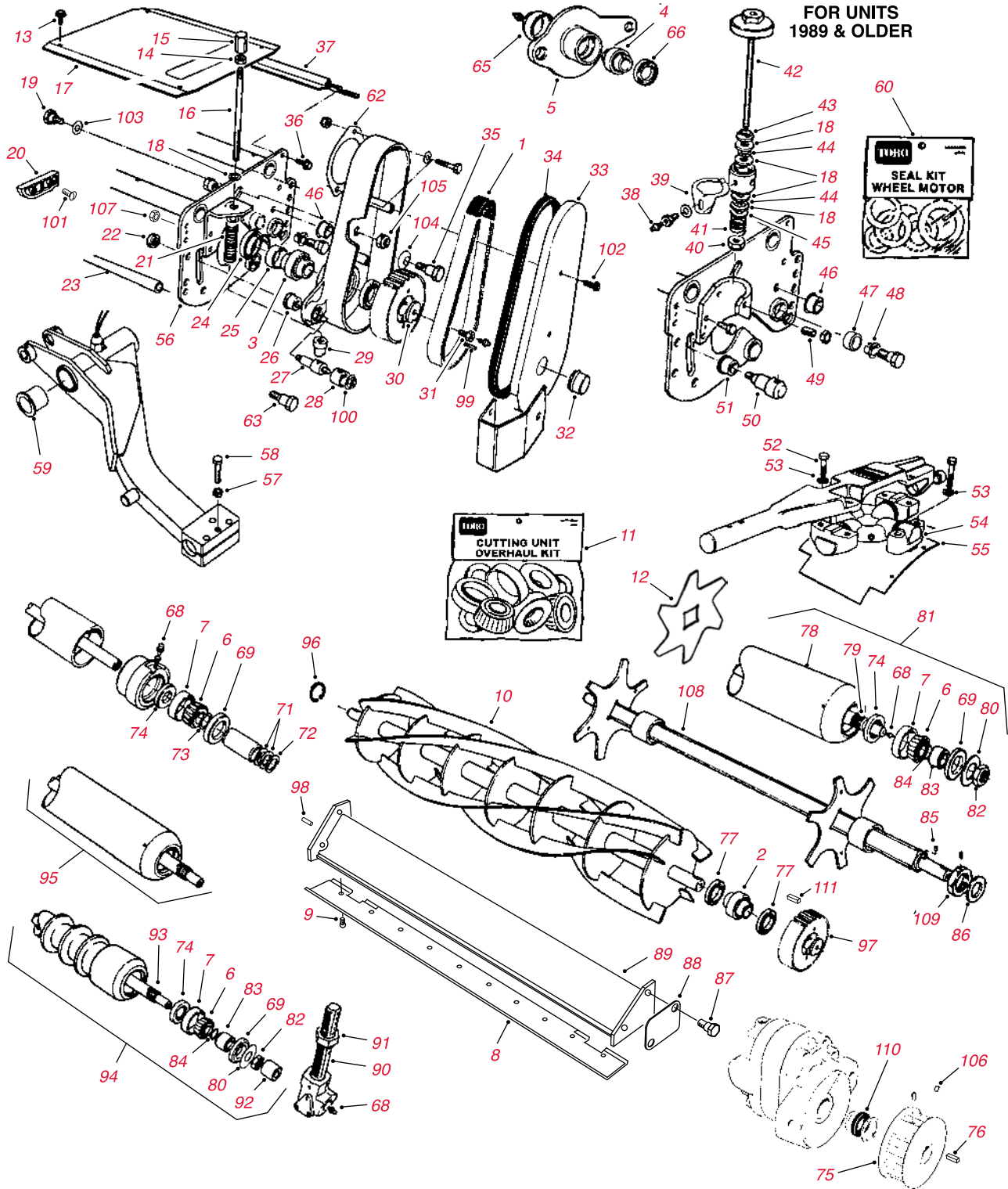
Part No.	Description	Qty.
FILTERS		
30012**	400 Hour Filter MVP Kit (RM 4000D - 2002-07)	A/R
30061**	400 Hour Filter MVP Kit (RM 4000D - 2008 & Up)	A/R
74-7970	ORDER 108-3837	1
108-3837	FILTER ENGINE OIL (RM335D/3500D)	1
49-2500	ORDER 108-3835	1
108-3835	FILTER - ENGINE OIL (RM 450D/4500D)	1
98-7431	ORDER 104-5169	1
104-5169	FILTER - ENGINE OIL (RM 4000D)	1
27-7110	ORDER 108-3833	1
108-3833	AIR FILTER ELEMENT	1
93-9162	ORDER 108-3812	1
108-3812	ELEMENT - AIR FILTER OUTER (RM 4000D)	1
93-9163	ORDER 108-3813	1
108-3813	ELEMENT AIR FILTER INNER (RM 4000D)	1
98-7612	FILTER - FUEL, PLASTIC (RM 4000D 1998-2001 & 2004 & UP)	1
108-3828	FILTER - FUEL, METAL (RM 4000D 1998-2001 & 2004 & UP)	1
76-5220	ELEMENT - FUEL FILTER (335D/3500D/4000D 1998-2001)	1
60-5470	FILTER - FUEL (RM 450D, 4500D)	1
98-9764	FILTER - WATER SEPARATOR (RM 4000D)	1
112-9140	BIO-DIESEL FUEL FILTER KIT (RM 4000D)	1
112-8400	BIO-DIESEL FUEL PUMP KIT (RM 4000D)	1
112-7836	IN-LINE FUEL FILTER (BIO-DIESEL KIT RM 4000D)	1
110-9015	ELEMENT - SEPARATOR (BIO-DIESEL RM 4000D)	1
99-8358	FILTER - FUEL (RM 4000D 2002-03)	1
58-6610	ORDER 69-1720	1
69-1720	ELEMENT - HYD (RM 4500D)	1
86-6110	ELEMENT - HYD (RM 450D, 4500D, 4000D)	1
76-6490	ORDER 86-3010	1
86-3010	FILTER TRANSMISSION (RM335D/3500D)	1
98-7419	ELEMENT - BREATHER (RM 4000D)	1
BELTS		
62-6390	BELT - FAN BELT (RM 450D)	1
98-7705	V-BELT - ALTERNATOR DRIVE (RM 4000D)	1
74-8830	BELT - TIMING (RM 335D/3500D)	1
TIRES		
69-9880	TIRE - FRONT (23 X 10.5 - 12) 6-PLY (335D)	2
74-5560	TIRE - REAR (20 X 8 - 10) 6-PLY (335D)	2
86-5900	TIRE - FRONT (26 X 12 - 12) 8-PLY (3500D)	2
86-5910	TIRE - REAR (20 X 10 - 10) 6-PLY (3500D)	2
63-4480	TIRE - FRONT (31 X 13.5 - 15) 4-PLY (450D/4000D/4500D)	2
69-9880	TIRE - REAR (23 X 10.5 - 12) 6-PLY (450D/4000D/4500D)	2
SEAT		
131-6691	SEAT COVER, LARGE	1
137-1312	MESH SEAT COVER, LARGE	1

Traction Unit Parts - continued

	Part No.	Description	Qty.
BEARINGS	See Quick Reference Guide for detailed information on bearing replacements for this model. Page 30-38		
	254-106	BEARING CONE (REAR AXLE)	2
	254-92	BEARING CONE (2WD REAR OUTER)	2
	254-107	BEARING CUP (REAR AXLE)	2
	251-259	BEARING - BALL (NEUTRAL ARM)	2
STARTER & ALTERNATOR			
	112-1352	STARTER (RM 335D/3500D)	1
	51-7590	ORDER 112-1353	1
	112-1353	STARTER (RM 450D/4500D)	1
	100-9237	STARTER (RM 4000D)	1
	51-8250	ORDER 112-1358	1
	112-1358	ALTERNATOR (450D/4500D)	1
	98-7693	ALTERNATOR (4000D)	1
	117-5541	ALTERNATOR - 60 AMP (4000D)	1
OTHER			
	112-8400	BIO-DIESEL FUEL PUMP KIT (RM 4000D)	1
	29-6162	SWITCH-MICRO (RM 450)	1
	233-70	KNOB-STAR, BATTERY ASM (RM 3550)	2
	104-0422	NEUTRAL ARM ASM (RM 3550)	1
	32136-2	NUT - SHH (RM 4000)	2
	32144-1	SCREW - TAPTITE (RM 4000)	4
	325-12	SCREW - HH (RM 4000)	6
	340-139	FITTING - ELBOW 90 (RM 4000)	10
	66-8800	RELAY (RM 4000)	2

REELMASTER

REELMASTER® 335D / 3500D / 450D / 4000D / 4500D

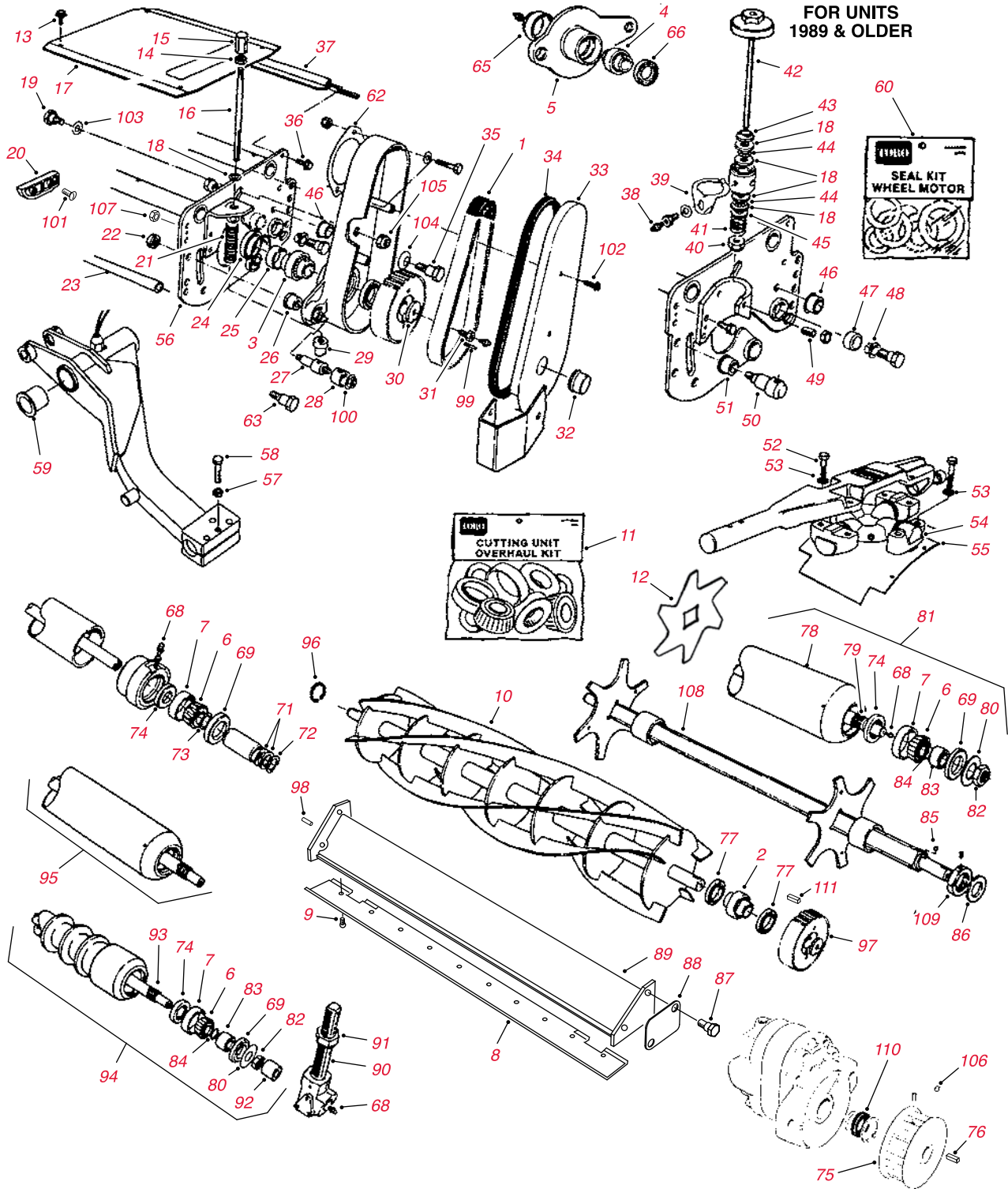


Cutting Unit Parts

Ref. No.	Part No.	Description	Qty.
1	47-7160	BELT - REEL & DETHATCHER DRIVE	1
2	251-298	ORDER 59-6140	2
2	59-6140	BEARING - REEL	2
3	59-6140	BEARING	1
4	59-6140	BEARING	1
5	13-7749	HOUSING & BEARING ASSEMBLY	1
6	254-78	BEARING CONE	2
7	254-79	CUP BEARING	2
8	59-5890	BEDKNIFE (7 BLADE)	1
8	76-3620	BEDKNIFE (11 BLADE)	1
	3-6462	ORDER 119-4151	11
	57-4910	ORDER 119-4151	11
9	119-4151	SCREW	11
	13-8219	ORDER 130-4139	
10	130-4139	REEL ASSEMBLY - 7 BLADE (8" DIA - RM 335D/3500D/450D/4000D/4500)	1
	14-0919	ORDER 130-4141	
10	130-4141	REEL ASSEMBLY - 11 BLADE (8" DIA - RM 335D/3500D/450D/4000D/4500)	1
	13-8229	ORDER 14-7419	1
10	133-0140	REEL ASSEMBLY - 5 BLADE (8" DIA - RM 335D/3500D/450D/4000D/4500)	1
11	13-3679**	Cutting Unit Overhaul MVP Kit (RM 335D/450D)	A/R
11	95-4389**	Cutting Unit Overhaul MVP Kit (RM 3500D/4000D/4500D)	A/R
12	82-3070-03	BLADE - DETHATCHER	20
13	3234-34	SCREW - HEX FLANGE HD	8
14	3218-5	NUT	2
15	72-0380	KNOB	2
16	72-0390	ROD	2
17	59-5830-01	COVER - INBOARD	1
*	59-5840-01	ORDER 100-9993	1
*	100-9993	COVER - OUTBOARD	1
18	257-5	WASHER	8
19	62-6080	BOLT - SHOULDER	1
20	62-6070	ORDER 77-4810	2
20	77-4810	BLOCK - DEFLECTOR	2
21	72-0400	ORDER 92-9231	2
21	92-9231	SPRING	2
22	82-9390	NUT - SPECIAL	2
23	93-7769	ROD	1
24	92-9250	SEAL - GREASE	1
25	92-9251	Sleeve - Wear	A/R
26	72-0430	BUSHING	2
26	92-9252	BUSHING - FLANGE	2
27	72-0440	PIN	2
28	72-0420	CLAMP - TUBE	2
29	72-0410	STAND OFF	2
30	59-6150	WASHER - PULLEY	1
31	59-6190	SCREW - REEL CAP	1
32	59-7490	PLUG - GREASE FITTING	1
33	75-7590-01	COVER - DRIVE (LH)	1
33	75-7580-01	COVER - DRIVE (RH)	1
34	47-7170	GASKET	1
35	48-9020	BOLT	2
36	3234-12	SCREW - HEX FLANGE HD	2
37	51-1600	ORDER 75-7680-01	1
37	52-9660	ORDER 75-7680-01	1
37	75-7680-01	DEFLECTOR - GRASS	1

REELMASTER

REELMASTER® 335D / 3500D / 450D / 4000D / 4500D

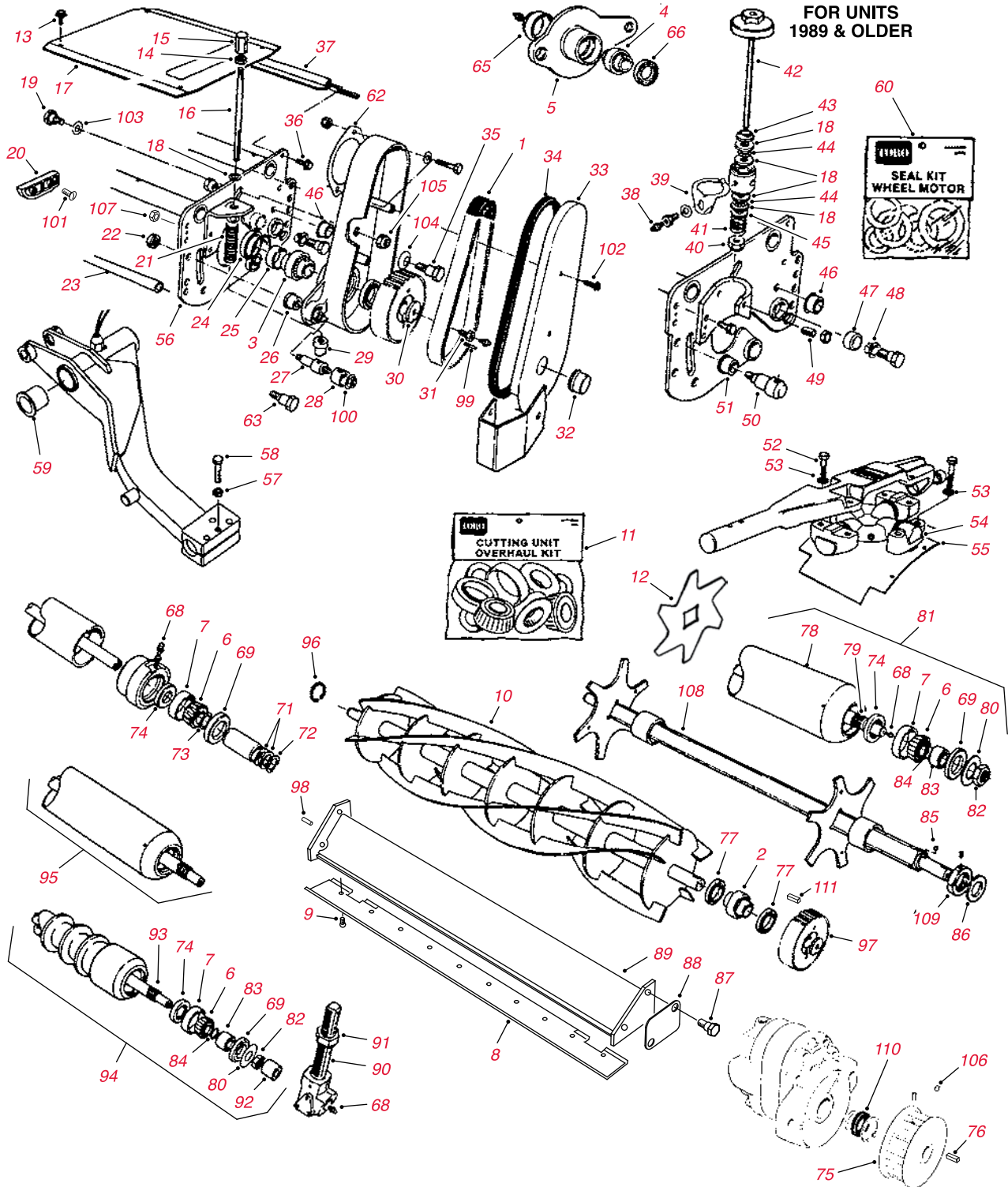


Cutting Unit Parts - continued

Ref. No.	Part No.	Description	Qty.
38	302-5	GREASE FITTING	2
39	52-3000	ARM-SPRING	2
40	3296-62	LOCKNUT	2
41	5-4373	SPRING	2
42	59-5580-01	HANDLE	2
43	253-84	SEAL - ADJUST HANDLE	2
44	257-6	THRUST BEARING	4
45	29-8870	WASHER-FLAT	2
46	256-252	BUSHING	2
47	62-6110	BUSHING	2
48	256-292	BUSHING	2
49	57-5190	SCREW - ADJUSTMENT	4
50	59-5570	PIN	2
51	256-113	BUSHING	2
52	3211-4	CAP SCREW	4
53	3253-21	LOCK WASHER	8
54	59-5910	CROSS & BEARING	1
55	75-8100	COVER	1
56	14-0829	REEL FRAME ASSEMBLY	1
57	3218-3	NUT - JAM (RM 335/3500)	5
58	323-50	SCREW (335/3500)	5
59	69-6470	BUSHING	10
60	42-2060	ORDER 59-8400	1
60	59-8400	SEAL KIT - WHEEL MOTOR	1
*	62-6470	HOUSING - DRIVE RH	1
62	48-9050	SHIELD - DRIVE PLATE	1
63	59-6340	BOLT (DETHATCHER)	2
65	59-5560	DUST CAP	1
66	93-1414	SEAL - GREASE	1
68	302-5	Grease Fitting	A/R
69	253-165	SEAL - SLEEVE	2
71	3256-26	WASHER	2
72	3253-7	LOCK WASHER	1
73	47-7510	WASHER	2
74	253-122	SEAL	2
75	47-7150	PULLEY - REEL MOTOR	1
76	47-2380	KEY - REEL MOTOR PULLEY	1
77	253-145	ORDER 93-1414	3
77	93-1414	SEAL	3
78	59-5640-01	ORDER 104-4623-01	1
78	104-4623-01	ROLLER TUBE ASSEMBLY	1
79	66-5640	SHAFT	1
80	66-5620	WASHER - THRUST	2
81	59-5630	REAR ROLLER ASSEMBLY	1
82	3220-7	JAM NUT	1
83	59-5690	WEAR SLEEVE	2
84	237-54	O-RING	2
85	48-8880	PIN-DOWEL	2
86	38-7330	WASHER-SHIELD	2
87	66-5570	ORDER 84-6090	4
87	84-6090	SHOULDER BOLT	4

REELMASTER

REELMASTER® 335D / 3500D / 450D / 4000D / 4500D



Cutting Unit Parts - continued

Ref. No.	Part No.	Description	Qty.
88	48-9240	Order 76-3580	
88	76-3580	Bedbar Spacer	A/R
89	59-5470-01	BEDBAR	1
89	77-4340-01	BEDBAR	1
90	84-6160	COLLAR	2
91	59-5820	NUT	4
92	59-5780	BUSHING	2
93	66-5650	ROLLER SHAFT (34.25" ROLLER)	1
93	84-6070	ROLLER SHAFT (33.25" ROLLER)	1
94	62-6030	ORDER 62-6130	1
94	62-6130	WIEHLE ROLLER ASSEMBLY (34.25" ROLLER)	1
94	84-6080	WIEHLE ROLLER ASSEMBLY (33.25" ROLLER)	1
95	59-5630	FRONT ROLLER ASSEMBLY (33.25" ROLLER)	1
96	32151-71	RING - RETAINING	1
97	47-7140	PULLEY - DRIVEN	1
98	32121-11	PIN - ROLL	4
99	32121-50	PIN - ROLL	1
100	32128-15	NUT - FLANGE LOCK	2
101	32108-101	SCREW	4
102	3234-14	SCREW - HEX FLANGE HD	2
103	3256-69	WASHER - FLAT	1
104	3290-440	WASHER - BELLEVILLE	2
105	3296-28	NUT - LOCK	2
106	3246-17	SCREW - SET	2
107	3296-26	NUT - LOCK	4
108	59-6290	SHAFT - DETHATCHER	1
109	59-6330	NUT - HEX	1
110	66-5710	ORDER 117-8976	
110	117-8976	SEAL - REEL MOTOR SHAFT	1
111	75-7570	KEY - REEL PULLEY	1
*	82-4910	ROLLER	1

REELMASTER

REELMASTER® 223D / 5100D / 5200D / 5300D / 5500D

Traction Unit Parts

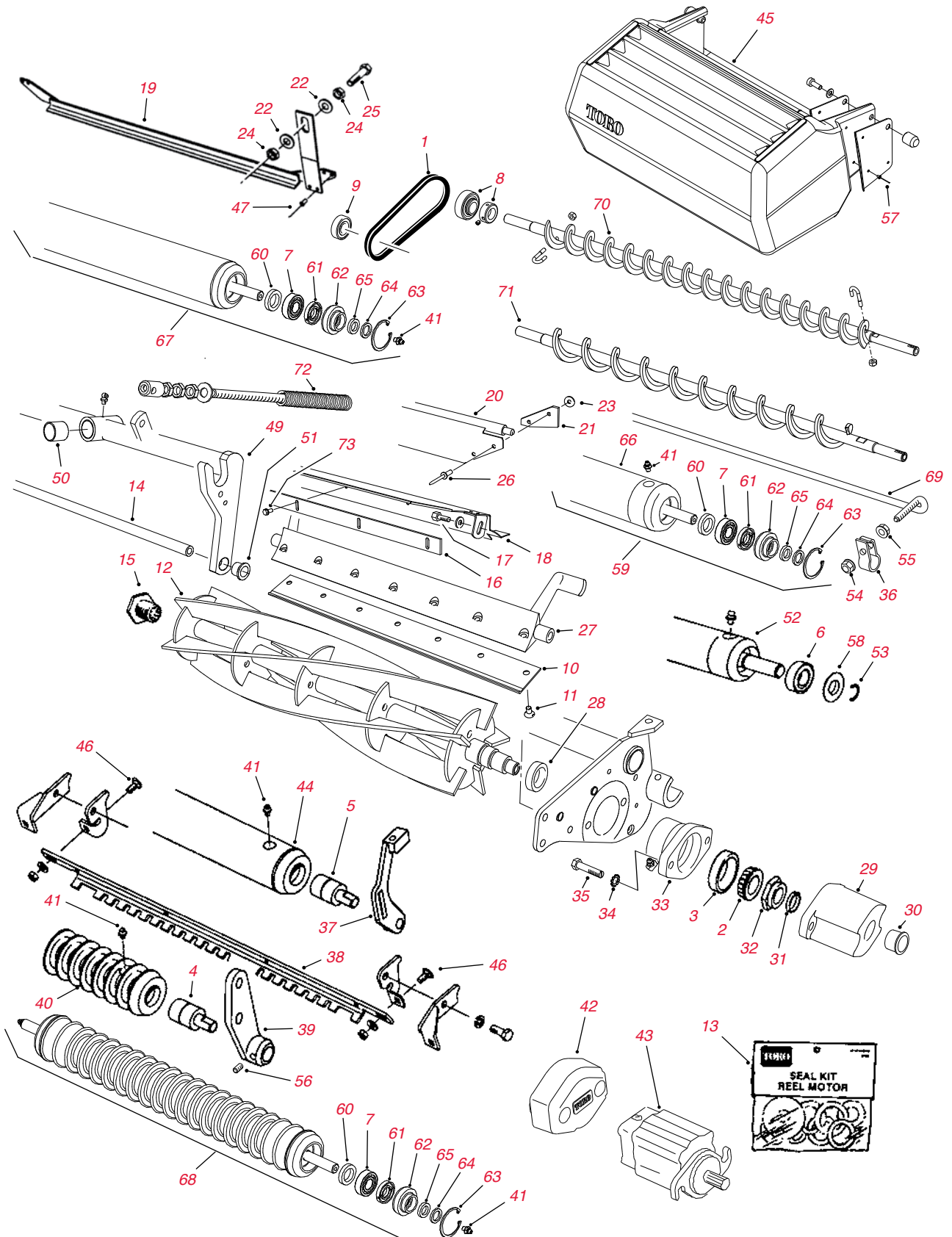
	Part No.	Description	Qty.
FILTERS			
	30015**	400 Hour Filter MVP Kit (RM 5200D/5400D)	A/R
	30038**	400 Hour Filter MVP Kit (RM 5500D)	A/R
	67-4330	ORDER 108-3841	1
	93-4295	ORDER 112-8409	1
	112-8409	FILTER - ENGINE OIL (5300D)	1
	104-5167	ORDER 108-3841	1
	98-9651	ORDER 108-3841	1
	99-8384	ORDER 108-3841	1
	108-3841	FILTER - ENGINE OIL (KUBOTA)	1
	27-7110	ORDER 108-3833	1
	108-3833	FILTER ELEMENT	1
	93-2195	ORDER 108-3811	1
	98-9763	ORDER 108-3810	1
	108-3810	ELEMENT - AIR (52/54/55)	1
	108-3811	ELEMENT - AIR (5100D)	1
	98-7612	FILTER - FUEL, PLASTIC (RM 5200/5400/5500)	1
	108-3828	FILTER - FUEL, METAL (RM 5200/5400/5500)	1
	63-8300	FILTER - FUEL (DIESEL)	1
	99-8358	ELEMENT - FUEL FILTER (RM 5200D/5400D 1999-01)	1
	43-2550	FILTER - FUEL PUMP	1
	98-9764	ELEMENT - SEPARATOR (5200D/5400D/5500D)	1
	112-9140	BIO-DIESEL FUEL FILTER KIT (5200D/5400D/5500D)	1
	112-8400	BIO-DIESEL FUEL PUMP KIT (5200D/5400D/5500D)	1
	110-9015	ELEMENT - SEPARATOR (BIO-DIESEL KIT) (5200D/5400D/5500D)	1
	112-7836	IN-LINE FUEL FILTER (BIO-DIESEL KIT 5200D/5400D/5500D)	1
	75-1310	FILTER - HYDRAULIC	1
	94-2621	FILTER - HYDRAULIC	1
	75-1320	ORDER 110-4146	1
	75-1330	ORDER 110-4146	1
	110-4146	FILTER - TRANSMISSION	1
	75-6340	FILTER - HYDRAULIC (RM 5200D/5400D/5500D)	1
	98-9493	ELEMENT - BREATHER (RM 5200D/5400D/5500D)	1
	108-0638	BOTTLE - OVERFLOW	1
BELTS			
	98-3921	BELT - COOLING FAN (RM 5500D)	1
	98-9676	BELT - ALTERNATOR (RM 5200D/5400D/5500D)	1
	67-4410	V-BELT - ALTERNATOR/WATER PUMP (RM 223D/5100D/5300D)	1
TIRES			
	98-2373	ORDER 93-6152 (5200D/5400D/5500D)	2
	117-5196	TIRE - FRONT (26.5 X 14 - 12) 2-PLY (5200D/5400D/5500D)	2
	231-134	TIRE - FRONT (26 X 12 - 12) 4-PLY (223D/5100D/5300D)	2
	231-134	TIRE - FRONT (26 X 12 - 12) 4-PLY (5200D/5400D)	2
	86-5910	TIRE - REAR (20 X 10 -10) 6-PLY (5200D/5400D/5500D)	2
SEAT			
	131-6691	SEAT COVER, LARGE	1
	137-1312	MESH SEAT COVER, LARGE	1

Traction Unit Parts - continued

	Part No.	Description	Qty.
BEARINGS	See Quick Reference Guide for detailed information on bearing replacements for this model. Page 30-38		
	21-8180	BEARING	2
	94-3405	BEARING ASSEMBLY (FWD SHAFT SUPPORT)	1
	251-307	ORDER 251-259	2
	251-259	BEARING - BALL (NEUTRAL ARM)	2
	251-318	BEARING - BALL	2
	99-8351	ASSEMBLY - FUEL FILTER (RM 5200D 1999-01/5500D 2000-01)	1
STARTER & ALTERNATOR			
	112-1350	STARTER (RM 223D/5100D)	1
	112-1356	STARTER (RM 5300D)	1
	98-9705	STARTER (RM 5200D/5400D/5500D)	1
	67-4630	ALTERNATOR (RM 223D/5100D)	1
	131-6557	ALTERNATOR (RM 5200D/5400D/5500D)	1
OTHER			
	104-4620	SEAT-STD	1
	112-8400	BIO-DIESEL FUEL PUMP KIT (5200D/5400D/5500D)	1
	108-0638	BOTTLE-OVERFLOW	1
	29-6162	SWITCH-MICRO	1

REELMASTER

REELMASTER® 223D / 5100D / 5200D / 5300D / 5500D

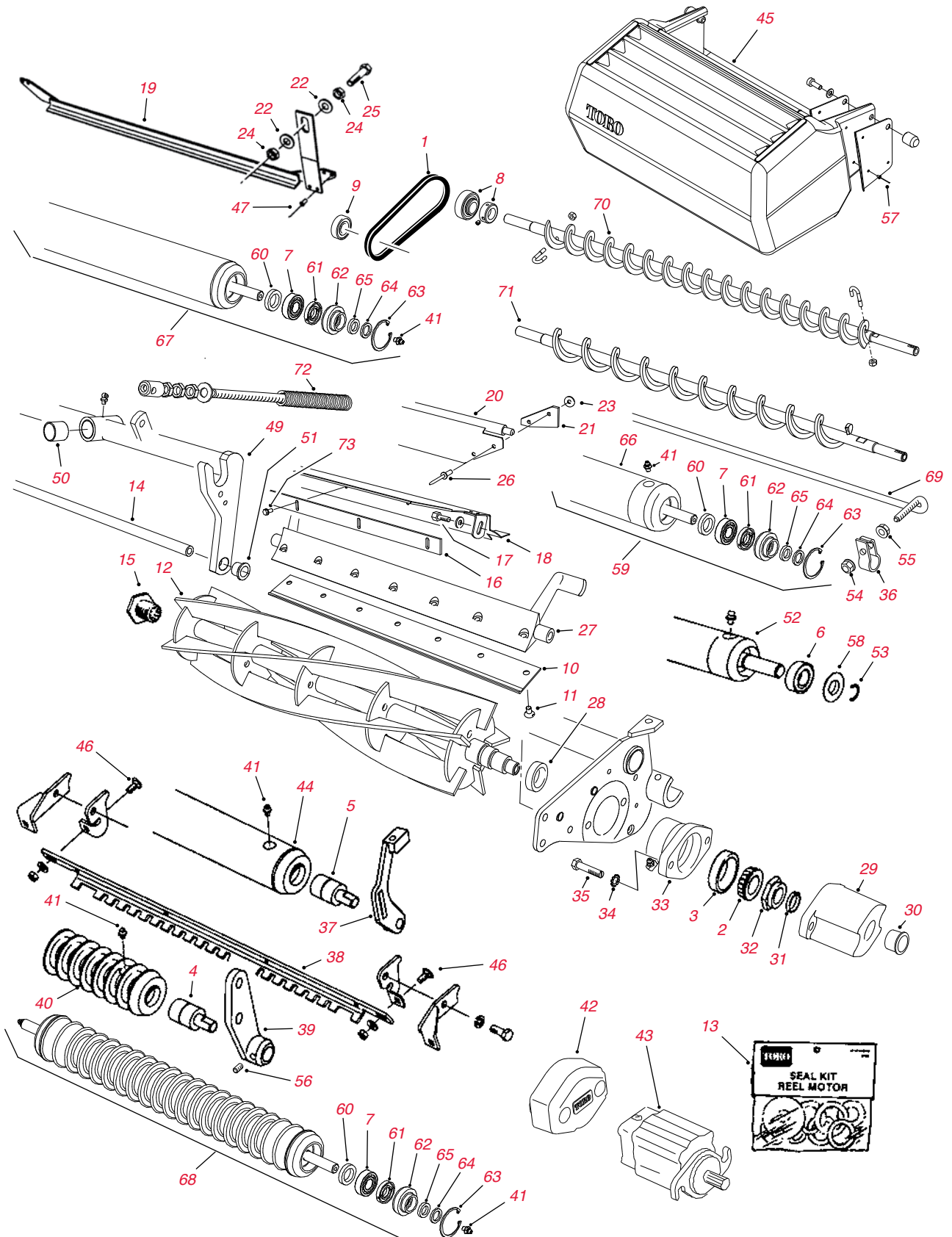


Cutting Unit Parts

Ref. No.	Part No.	Description	Qty.
1	104-8231	ORDER 108-6709	1
1	108-6709	BELT - REAR ROLLER BRUSH DRIVE (RM 5200D/5400D)	1
2	254-94	BEARING CONE	2
3	254-72	BEARING CUP	2
4	75-1290	BEARING	2
5	21-8430	ORDER 52-3180	2
5	52-3210	ORDER 52-3180	2
5	52-3180	BEARING	2
6	85-9970	BEARING	2
7	109966	BEARING - BALL	2
8	98-5208	BEARING - ROLLER BRUSH SHAFT (RM 223D/5100D/5300D)	2
	104-1842	ORDER 132-6979	
8	132-6979	BEARING - ROLLER BRUSH SHAFT (RM 5200D/5400D)	2
9	251-336	BEARING - ROLLER BRUSH DRIVE (RM 223D/5100D/5300D)	1
9	98-5215	BEARING - ROLLER BRUSH DRIVE (RM 5200D/5400D)	1
10	100-3350	BEDKNIFE - HIGH-CUT	1
10	63-8610	BEDKNIFE - FAIRWAY-CUT	1
10	112-7475	BEDKNIFE - FAIRWAY-CUT - EDGEMAX	1
*	137-0879	BEDKNIFE - 21" FAIRWAY CUT - EDGEMAX	1
	57-4910	ORDER 119-4151	7
11	119-4151	BEDKNIFE SCREW	7
	14-0649	ORDER 130-0093	
12	130-0093	REEL - 8 BLADE (5" DIA - CUTTING UNITS 03506/03509/03528)	1
	14-0659	ORDER 130-0088	
12	130-0088	REEL - 5 BLADE (5" DIA - CUTTING UNIT 03527)	1
*	107-1590**	Reel Overhaul MVP Kit (1990-01)	A/R
13	72-4380	ORDER 92-8863	1
13	75-1270	ORDER 92-8863	1
13	353-469	ORDER 92-8863	1
13	353-585	ORDER 92-8863	1
13	92-8863	SEAL KIT - REEL MOTOR	1
14	75-1710	ROD - SUPPORT (RM 5100/5300)	1
14	104-3365	ROD - SUPPORT (RM 5200/5400)	1
15	10-5100	ORDER 93-1394	1
15	77-0340	ORDER 93-1394	1
15	93-1394	SPLINE NUT	1
16	36-7260	CUTOFF BAR	1
17	321-4	CAP SCREW	2
18	75-1840	GRASS SHIELD	1
19	75-1750-01	SCRAPER - REAR (03512)	1
20	75-1560-01	DEFLECTOR - REAR	1
21	75-1720	FLAP - DEFLECTOR	2
22	3256-24	WASHER - FLAT	4
23	3256-49	WASHER - FLAT	4
24	3218-3	NUT - JAM	4
25	323-50	SCREW - CAP HEX HD	2
26	3269-4	RIVET - POP	4
27	10-4930-01	BEDBAR	1
28	253-96	OIL SEAL (2000 & OLDER)	2
28	104-3388	OIL SEAL (2001 & UP)	2
29	10-5080-01	CAP - END	1
30	12-0460	CAPLUG	1
31	253-61	OIL SEAL	1
32	3296-60	NUT - REEL	1
33	10-5120	ORDER 104-3398	2
33	104-3398	BEARING HOUSING (2000 & OLDER)	2
33	104-3399	BEARING HOUSING (2001 & UP)	2
34	3255-9	LOCK WASHER	4

REELMASTER

REELMASTER® 223D / 5100D / 5200D / 5300D / 5500D

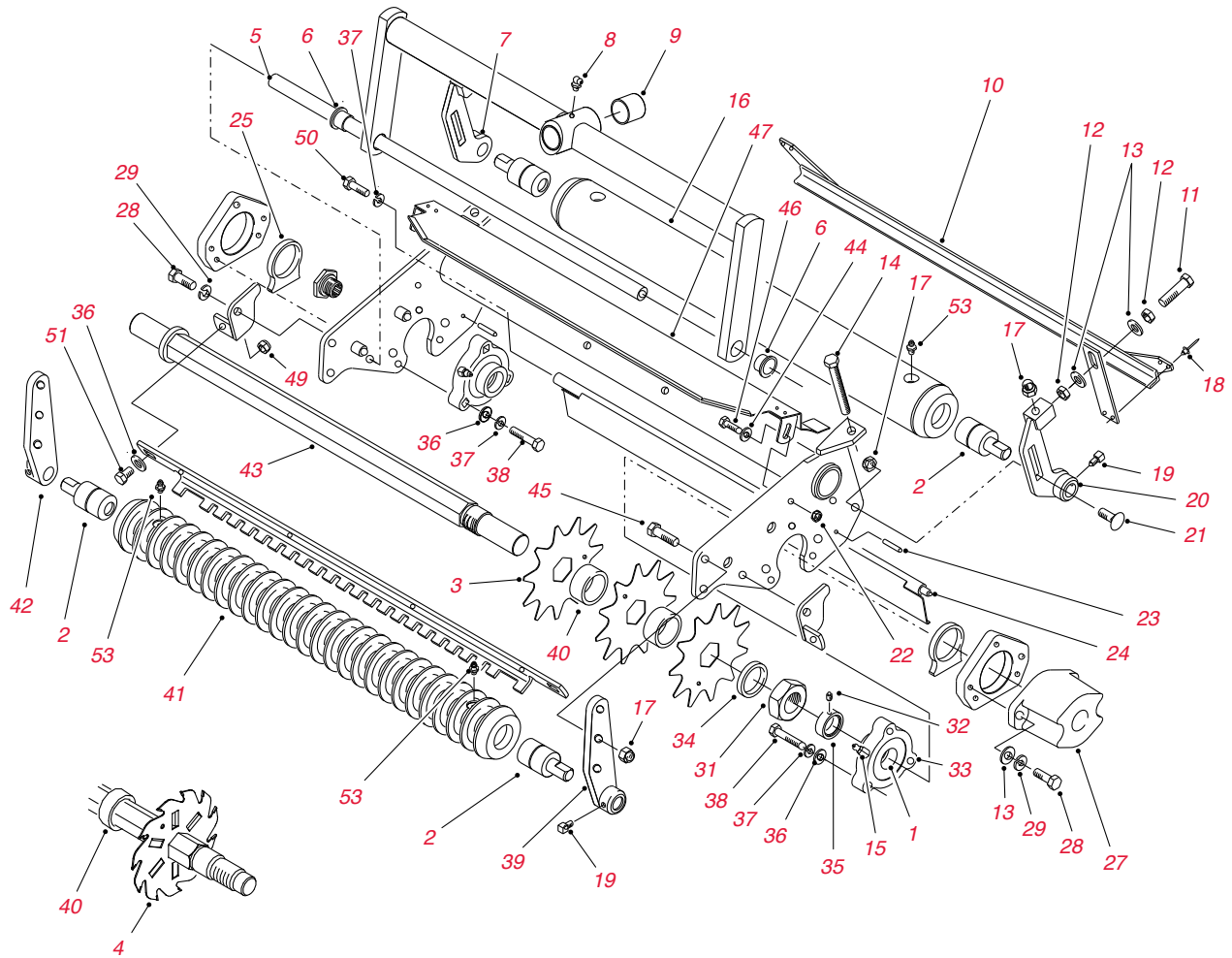


Cutting Unit Parts - continued

Ref. No.	Part No.	Description	Qty.
35	57-3210	BOLT	4
36	92-3087	BRACKET - SCRAPER	2
37	75-1610-01	BRACKET - HOC REAR (RH)	1
37	75-1620-01	BRACKET - HOC REAR (LH)	1
38	83-5400	FRONT ROLLER SCRAPER KIT	1
39	75-1960-01	BRACKET - HOC FRONT (RH)	1
39	75-1980-01	BRACKET - HOC FRONT (LH)	1
40	75-1520	WIEHLE ROLLER ASSEMBLY	1
*	107-1592**	Front Roller Rebuild MVP Kit	A/R
41	302-5	GREASE FITTING	2
42	100-7113-01	WEIGHT - END (2001 & UP)	1
*	100-6426	ORDER 112-9200	1
*	108-6487	ORDER 112-9200	1
*	112-9200	ORDER 120-2072	1
43	120-2072	HYDRAULIC MOTOR ASSEMBLY (2003-05)	1
44	75-1850	ORDER 85-7220	1
44	85-7220	REAR ROLLER ASSEMBLY - 2" (1990-92)	1
*	107-1588**	Rear Roller Rebuild MVP Kit (Bearings 52-3180 — 1990-92)	A/R
45	75-4010	ORDER 104-8219	1
45	104-8219	GRASS BASKET ASSEMBLY (5000 SERIES)	1
45	108-4991	FAIRWAY GRASS BASKET ASSEMBLY (5010 model)	1
46	3230-1	BOLT - CARRIAGE	2
47	3269-3	RIVET - POP (FOR 98-1450)	4
47	3269-23	RIVET - POP (FOR 79-1750-01)	4
49	100-4194	CARRIER FRAME (RM 5100/5300)	1
50	67-1750	BUSHING	2
51	75-2160	BUSHING	2
52	85-7220	REAR ROLLER ASSEMBLY - 2" (1993-97)	1
53	32151-12	RING - RETAINING	2
54	32128-32	NUT - FLANGE LOCK	2
55	32128-33	NUT - FLANGE LOCK	1
56	3246-2	SCREW - SET	2
57	3269-28	RIVET - POP	10
58	85-7190	WASHER - SHIELD	2
59	94-0694	PREMIUM REAR ROLLER ASSEMBLY - 2.5"	1
*	106-9606**	Roller Rebuild MVP Kit (Bearings 109966 - 2001 & after)	A/R
60	93-3007	SEAL - OIL	2
61	93-1251	SEAL - INNER	2
62	93-1252	SEAL - OUTER	2
63	32120-62	RING - RETAINING	2
64	93-2931	WASHER - ROLLER	2
65	253-70	SEAL - OIL	2
66	94-0695	TUBE - ROLLER	1
67	100-2536	ROLLER ASSEMBLY	1
69	92-3086	ROD - REAR ROLLER SCRAPER	1
69	98-1450	ROD - REAR ROLLER SCRAPER (5200/5400)	1
70	105-6792	REPLACEMENT REAR ROLLER BRUSH (2006 & UP)	1
*	106-9627**	Rear Roller Brush Rebuild MVP Kit	A/R
71	100-7119	ORDER 106-9627	1
71	106-9627	REAR ROLLER BRUSH ASSEMBLY (1999-05)	1
72	104-3394	SPRING - COMPRESSION (RM 5200/5400)	1
73	104-2065	SCREW - HEX HD.	5
*	29-9100	BRUSH AND HANDLE ASM (RM 5200/5400/5500)	1
*	99-5748	SHAFT - ROLLER (RM 5500/6000 1999-2008)	1

REELMASTER

REELMASTER® 223D / 5100D / 5200D / 5300D / 5500D



Dethatching Reel Parts

Ref. No.	Part No.	Description	Qty.
1	94-3405	BEARING ASSEMBLY (INCL #32 & 35)	2
2	75-1290	BEARING	4
3	17-1590	BLADE - 11 TOOTH (STD)	24
4	106-5422	BLADE - DETHATCHING REEL (1MM CARBIDE TIPPED)	24
4	106-6355	BLADE - DETHATCHING REEL (2MM CARBIDE TIPPED)	24
*	106-6392**	Dethatching Reel Blade MVP Kit (108 Blades 106-6355)	A/R
5	75-1710	SUPPORT	1
6	75-2160	BUSHING - FLANGE	2
7	82-6630-01	BRACKET - HOC RH	1
8	302-60	FITTING - GREASE	1
9	67-1750	BUSHING - AXLE	2
10	82-6740	SCRAPER ASSEMBLY	1
11	323-53	SCREW - CAP	2
12	3218-3	NUT - JAM	4
13	3256-24	WASHER - FLAT	8
14	323-49	SCREW - SPECIAL	2
15	302-11	FITTING - GREASE	2
16	82-6680	ORDER 114-5404	1
16	114-5404	REAR ROLLER ASSEMBLY	1
*	107-1592**	Roller Rebuild MVP Kit	A/R
17	3296-39	NUT - LOCK	8
18	3269-3	RIVET - POP	4
19	3242-1	SCREW - SET	4
20	82-6650-01	BRACKET - HOC LH	1
21	3231-25	BOLT - CARRIAGE	2
22	3296-42	NUT - LOCK	2
23	32121-12	PIN - ROLL	2
24	82-6780-01	DEFLECTOR - REAR	1
25	82-6820	SPACER - BEARING	2
27	10-5080-01	CAP - END	1
28	323-6	SCREW - CAP	6
29	3253-21	WASHER - LOCK	6
31	3220-18	NUT - JAM	1
32	3245-35	SCREW - SET	2
33	76-2460	BEARING ASSEMBLY (INCL #1, 15, 32 & 35)	2
34	17-1600	SPACER	2
35	251-77	COLLAR - LOCK	2
36	3256-23	WASHER - FLAT	8
37	3253-4	WASHER - LOCK	7
38	322-7	SCREW - CAP	6
39	82-6530-01	SUPPORT - HOC LH	1
40	82-6600	SPACER	23
41	75-1520	WIEHLE ROLLER ASSEMBLY	1
*	107-1592**	Roller Rebuild MVP Kit	A/R
42	82-6510-01	SUPPORT - HOC RH	1
43	82-6570	SHAFT - REEL	1
44	3256-1	WASHER - FLAT	2
45	323-7	SCREW - CAP	4
46	321-4	SCREW - CAP	2
47	75-1840	SHIELD - GRASS	1
49	3296-29	NUT - LOCK	2
50	322-5	SCREW - CAP	1
51	322-3	SCREW - CAP	2
53	302-5	FITTING - GREASE	4
*	110-7352	SCREW - HOC (RM 5500)	1

REELMASTER

TIER 4 REELMASTER® 5010-H / 5210 / 5410 / 5510 / 5610

MODELS: 03672 / 03687

Traction Unit Parts

Part No.	Description	Qty.
FILTERS		
30039**	400 Hour Filter MVP Kit 5210/5410/5510 (2006-2007)	A/R
30040**	400 Hour Filter MVP Kit 5610 (2006-2007)	A/R
30054**	400 Hour Filter MVP Kit 5210/5410/5510 Non Tier4 (2008 & Up)	A/R
30055**	400 Hour Filter MVP Kit 5610 (2008 - 2012)	A/R
30247**	800 Hour Filter MVP Kit 5010-H	A/R
30093**	800 Hour Filter MVP Kit 5410D/5510D Tier4 Final	A/R
108-3841	ENGINE OIL FILTER	1
108-3810	AIR FILTER ELEMENT	1
98-7612	IN-LINE FUEL FILTER, PLASTIC (2006-2007)	1
108-3828	IN-LINE FUEL FILTER, METAL (2006-2007)	1
98-9764	FUEL FILTER/SEPARATOR ELEMENT (2006-2007)	1
110-9049	FUEL FILTER/SEPARATOR ELEMENT (2008 & UP)	1
98-9305	FUEL FILTER SEPARATOR ASSEMBLY (INCL #4 - 2006-2007)	1
110-9044	FUEL FILTER SEPARATOR ASSEMBLY (INCL #4 - 2008 & UP)	1
112-9140	BIO-DIESEL FUEL FILTER KIT (FOR 2006 & 2007 UNITS)	1
112-8400	BIO-DIESEL FUEL FILTER KIT	1
110-9015	FUEL FILTER/SEPARATOR ELEMENT (BIO-DIESEL KIT)	1
112-7836	IN-LINE FUEL FILTER (BIO-DIESEL KIT)	1
86-3010	HYDRAULIC OIL FILTER (STEERING)	1
94-2621	HYDRAULIC OIL FILTER (RESERVOIR)	1
92-5821	HEAD - FILTER (RM 5410/5510/5610)	1
114-4057	ELEMENT-SAFETY, 5"	1
125-7025	FILTER	1
125-2915	FILTER-SPIN ON	1
125-8752	FILTER-FUEL	1
127-3075	FILTER ASM	1
125-2914	SEPARATOR FILTER ASM	1
108-3814	FILTER-AIR (RM 5510D)	1
108-3816	FILTER-AIR (RM 5510D)	1
BEARINGS		
See Quick Reference Guide for detailed information on bearing replacements for this model. Page 30-38		
254-94	BEARING CONE	4
254-72	BEARING CUP	4
127-2958	BEARING-BALL	1
127-2983	BEARING-BALL	1
105-8118	BEARING-CONE	1
105-8120	BEARING-CONE	1
112-5290	BEARING-STEEL, STAINLESS	1
120-3366	BEARING	1
125-5279	BEARING-ROLLER	1
120-4621	BEARING (5010-H)	1
125-7249	BEARING, BALL	1
125-7251	BEARING-BALL	1
125-7252	BEARING-BALL	1
125-7253	BEARING-BALL	1
119-8558	BEARING-BALL	1
99-7532	BEARING-ROLLER, TAPER	1
99-7534	BEARING-BALL	1
93-7775	BEARING-BALL	1
99-7570	BEARING-ROLLER, TAPER	1
BELTS		
104-3494	V-BELT - ALTERNATOR DRIVE (5010-H)	1
98-9676	V-BELT - ALTERNATOR DRIVE (5210/5410/5510/5610)	1
127-2998	V- BELT	1

¹Recommended for flat turf conditions

^{**}Not illustrated. ^{**}Not sold separately. See pages 20-33 for kit contents. Prices subject to change without notice. Please see your Parts Catalog or Master Parts Viewer to ensure the correct part is ordered, as the part you need may not be listed above. toro.com/parts

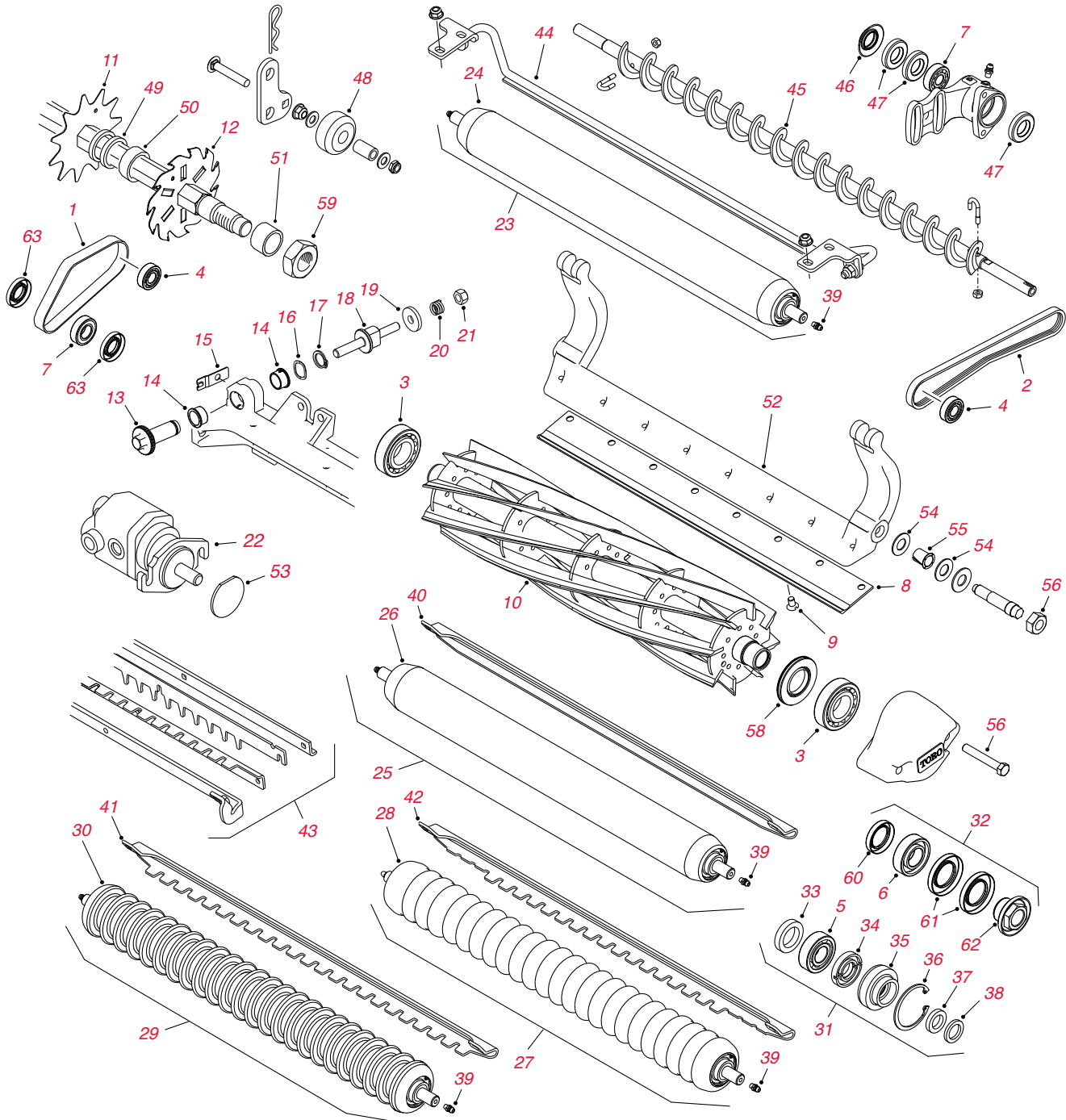
Traction Unit Parts - continued

	Part No.	Description	Qty.
TIRES			
	87-6740	ORDER 110-5132	2
	110-5132	TIRE - FRONT (5210 - 2006-MID 2008)	2
	115-8090	ORDER 95-2638	2
	95-2638	TIRE - FRONT (5210 - MID 2008 & UP)	2
	117-5196	TIRE - FRONT (5410/ 5010-H /5510/5610)	2
	86-5910	TIRE - REAR (5210)	2
	95-8656	ORDER 115-1572	2
	115-1572	TIRE - REAR (5210 - 2007 & UP)	2
	104-0451	ORDER 117-5125	2
	117-5125	TIRE - REAR (5010-H/5410/5510/5610)	2
	127-2796	TIRE - REAR (20 X 12 - 10) 4-PLY, SMOOTH (5010-H/5410/5510/5610)	2
	133-2940	TIRE - FRONT (26.5 X 14 - 12) 4-PLY (5010-H/5410/5510/5610)	2
	136-7963	TIRE ASM (5010-H/5410/5610)	2
SEAT			
	131-6691	SEAT COVER, LARGE	1
	137-1312	MESH SEAT COVER, LARGE	1
	104-4620	SEAT - STD	1
	92-8991	ADJUSTER - SEAT ASM	1
	108-1757	COVER - SEATBASE	1
STARTER & ALTERNATOR			
	98-9705	STARTER ASSEMBLY (5210/5410/5510/5610)	1
	131-6557	ALTERNATOR ASSEMBLY (5210/5410/5510/5610)	1
	131-6561	STARTER ASSEMBLY (5010-H)	1
	127-3818	STARTER ASM	1
	125-7003	STARTER	1
	106-5269	IGNITION SWITCH ASM (5010 SERIES)	1
	106-5270	IGNITION KEY SET (RM 5010 SERIES)	1
HYDRAULIC MOTOR			
	107-4544	HYD MOTOR ASM (5010 SERIES)	1
	108-1825	HYD MANIFOLD ASM (RM 5610 2011 & UP)	1
	110-0901	HYD MOTOR ASM (5010 SERIES)	1
	106-3662	HOSE - HYD (RM 5010 Series)	4
	133-2934	HYD MOTOR ASM (5010 SERIES)	1
	133-2935	HYD MOTOR ASM (5010-H/5410/5510/5610)	1
	106-3662	HOSE-HYD (RM 5010 SERIES 2010 & UP)	4
	340-139	FITTING - ELBOW 90 (5010 SERIES)	1
	119-6972	VARIABLE HYDRAULIC PUMP ASM (5010 SERIES)	1
	119-6987	HYD CYLINDER ASM (5010 SERIES)	2
OTHER			
	125-2165	ORDER 132-5206	1
	132-5206	ENGINE - KUBOTA, V1505	1
	125-1984	SPACER, REEL DRIVE HYDRAULIC ASM	5
	104-4246	FAN - ENGINE (RM 5210)	1
	120-6274	MOUNT - ENGINE (RM 5010-H/5210/5410/5510)	4
	108-7623	TUBE ASM (5610)	1
	108-7624	TUBE ASM (5610)	1
	108-7625	TUBE ASM (5010 Series)	1
	98-1471	WHEEL - STEERING (5410/5510/5610)	1
	119-6968	DIPSTICK - OIL	1
	100-1535	SWITCH (5010-H/5410/5510)	1
	120-6260	RH BRAKE ASM (RM 5010-H/5410/5510/5610)	1
	120-6261	LH BRAKE ASM (RM 5010-H/5410/5510/5610)	1
	180-1672	MANIFOLD - TUBE (5210/5410/5510/5610)	1
	110-8882	VALVE - RELIEF, CROSS OVER	1
	107-4501-01	PLATFORM ASM (5210/5410/5510/5610)	1
	125-2169	ENGINE - KUBOTA, V1505T (5610)	1
	112-9919	STOP - CABLE, THROTTLE (5210/5410/5510/5610)	1
	108-6715	GAUGE BAR ASM (5010 SERIES)	1
	112-9184	SEAL KIT (5210/5410)	1
	100-1854	PLUG - GLOW (RM 5410/5510)	4
	117-9507	PEDAL - ACCELERATOR (RM 5010 SERIES)	1

REELMASTER

TIER 4 REELMASTER® 5010-H / 5210 / 5410 / 5510 / 5610

MODELS: 03672 / 03687



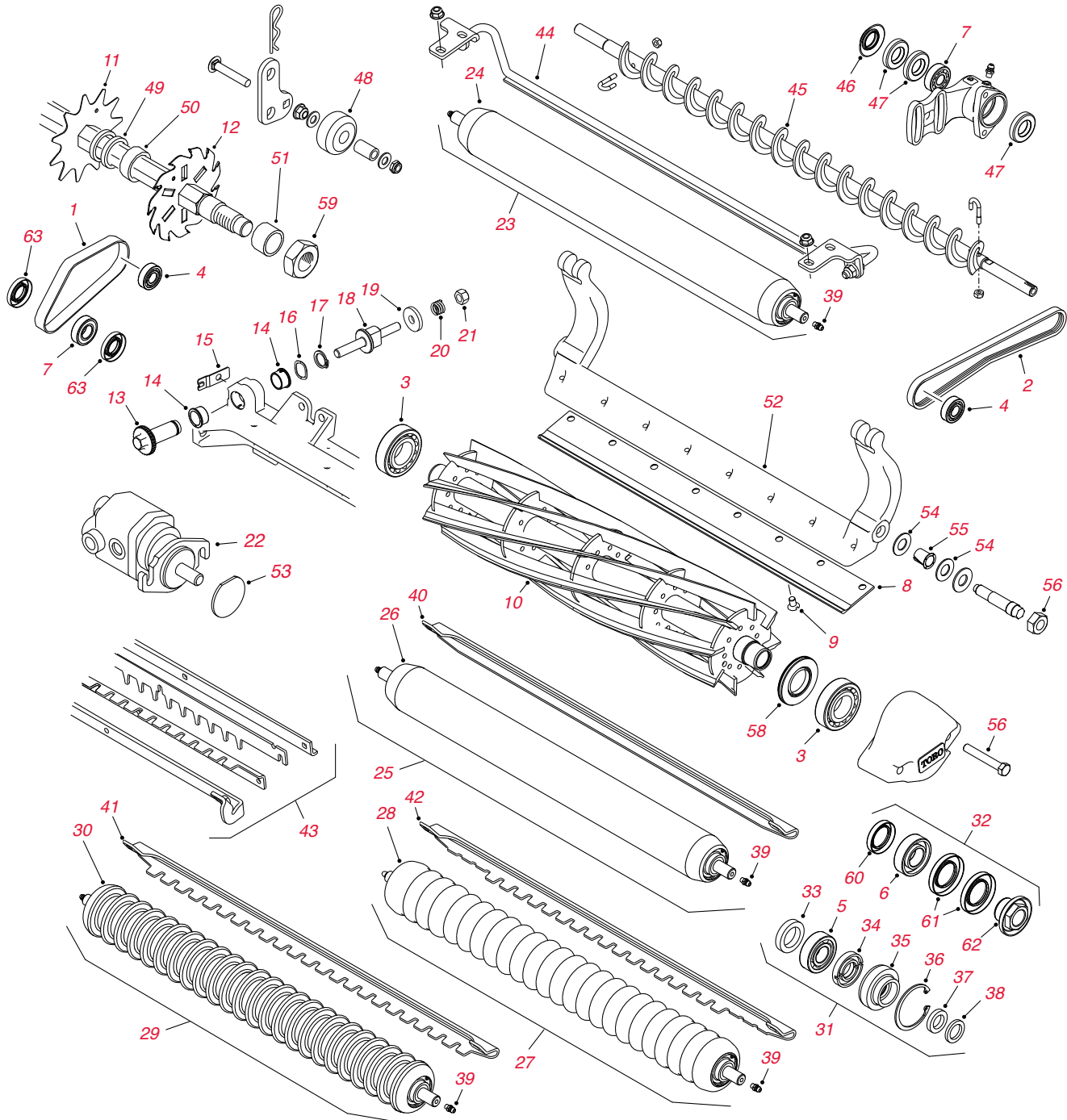
Cutting Unit & Verticutter Parts

Ref. No.	Part No.	Description	Qty.
1	108-4497	BELT - GROOMER DRIVE (RM 5210/5410)	1
1	110-1716	BELT - GROOMER DRIVE (RM 5510/5610)	1
2	110-1746	BELT - REAR ROLLER BRUSH DRIVE (5210/5410)	1
2	110-1747	BELT - REAR ROLLER BRUSH DRIVE (5510/5610)	1
2	115-0894	BELT - BRUSH DRIVE ASM	1
3	93-2489	BEARING - REEL	2
4	93-2559	BEARING - (GROOMER/ROLLER BRUSH DRIVE)	1
5	109966	BEARING - ROLLER	4
6	112-5290	BEARING - STAINLESS STEEL	1
7	95-0707	BEARING - BALL (REAR ROLLER BRUSH/GROOMER DRIVE)	2
	117-0978	ORDER 120-1640	
8	120-1640	BEDKNIFE - FAIRWAY-CUT EXTENDED	1
8	108-9095	ORDER 137-0833	1
*	137-0833	BEDKNIFE - 22" FAIRWAY CUT - EDGEMAX	1
*	137-0832	BEDKNIFE - 22" FAIRWAY LOW CUT - EDGEMAX	1
8	108-9096	BEDKNIFE - FAIRWAY-CUT	1
8	110-4074	BEDKNIFE - FAIRWAY-CUT - HEAVY DUTY	1
8	110-4084	BEDKNIFE - LOW-CUT	1
*	119-4280	BEDKNIFE - EDGEMAX EXTENDED LOW HOC	1
	57-4910	ORDER 119-4151	8
9	119-4151	SCREW - BEDKNIFE	8
	108-9070	ORDER 127-2070	
10	127-2070	REEL - 5 BLADE Service Only (5" DIA - CUTTING UNITS 03661/03694/03695)	1
	108-9071	ORDER 127-2065	
	119-4270	ORDER 127-2065	
10	127-2065	ORDER 137-8416	
*	137-8416	REEL+ - 8 BLADE, 5" FAIRWAY	1
	117-3793	ORDER 127-2066	
10	127-2066	REEL - 11 BLADE 5" FAIRWAY	1
	108-9072	ORDER 127-2077	
10	127-2077	REEL - 5 BLADE SERVICE ONLY (7" DIA - CUTTING UNITS 03681/03863/03696/03698/03864/03682/03697/03699)	1
	107-3264	ORDER 127-2084	
10	127-2084	ORDER 137-8432	
*	137-8432	REEL+ - 8 BLADE 7" FAIRWAY	
	117-0980	ORDER 127-2085	
10	127-2085	ORDER 137-8433	1
*	137-8433	REEL+ - 11 BLADE 7" FAIRWAY	1
10	131-3203	REEL - 8 BLADE RR (5" DIA - CUTTING UNIT 03913/03482/03634)	1
10	131-3204	REEL - 11 BLADE RR (5" DIA - CUTTING UNIT 03483/03635)	1
10	132-7109	ORDER 137-8426	1
*	137-8426	EDGESERIES REEL+ - 8 BLADE, 5" FAIRWAY RR	1
10	132-7112	EDGESERIES REEL - 11 BLADE FSR (5" DIA - CUTTING UNITS 03483/03635/03488ES/03623ES)	1
10	133-8205	EDGESERIES REEL - 5 BLADE RR (7" DIA - CUTTING UNITS 03638/03639/03641/03636/03637)	1
10	131-6805	EDGESERIES REEL - 8 BLADE RR (7" DIA - CUTTING UNITS 03638/03639/03641/03636/03637)	1
10	131-6809	ORDER 137-8446	1
*	137-8446	EDGESERIES REELS+ - 8 BLADE 7" FAIRWAY FSR	1
10	131-6801	ORDER 137-8447	1
*	137-8447	EDGESERIES REELS+ - 11 BLADE 7" FAIRWAY FSR	1
10	133-8201	ORDER 137-8423	1
*	137-8423	EDGESERIES REEL+ - 11 BLADE 5" FAIRWAY	1
10	133-8203	EDGESERIES REEL - 11 BLADE FSR (5" DIA - CUTTING UNITS 03695)	1
10	133-8211	EDGESERIES REEL - 8 BLADE RR (7" DIA - CUTTING UNITS 03681/03863/03696/03698)	1
10	127-0294	ORDER 137-8439	1
*	137-8439	EDGESERIES REELS+ 11 BLADE 7" FAIRWAY FSR	1

REELMASTER

TIER 4 REELMASTER® 5010-H / 5210 / 5410 / 5510 / 5610

MODELS: 03672 / 03687



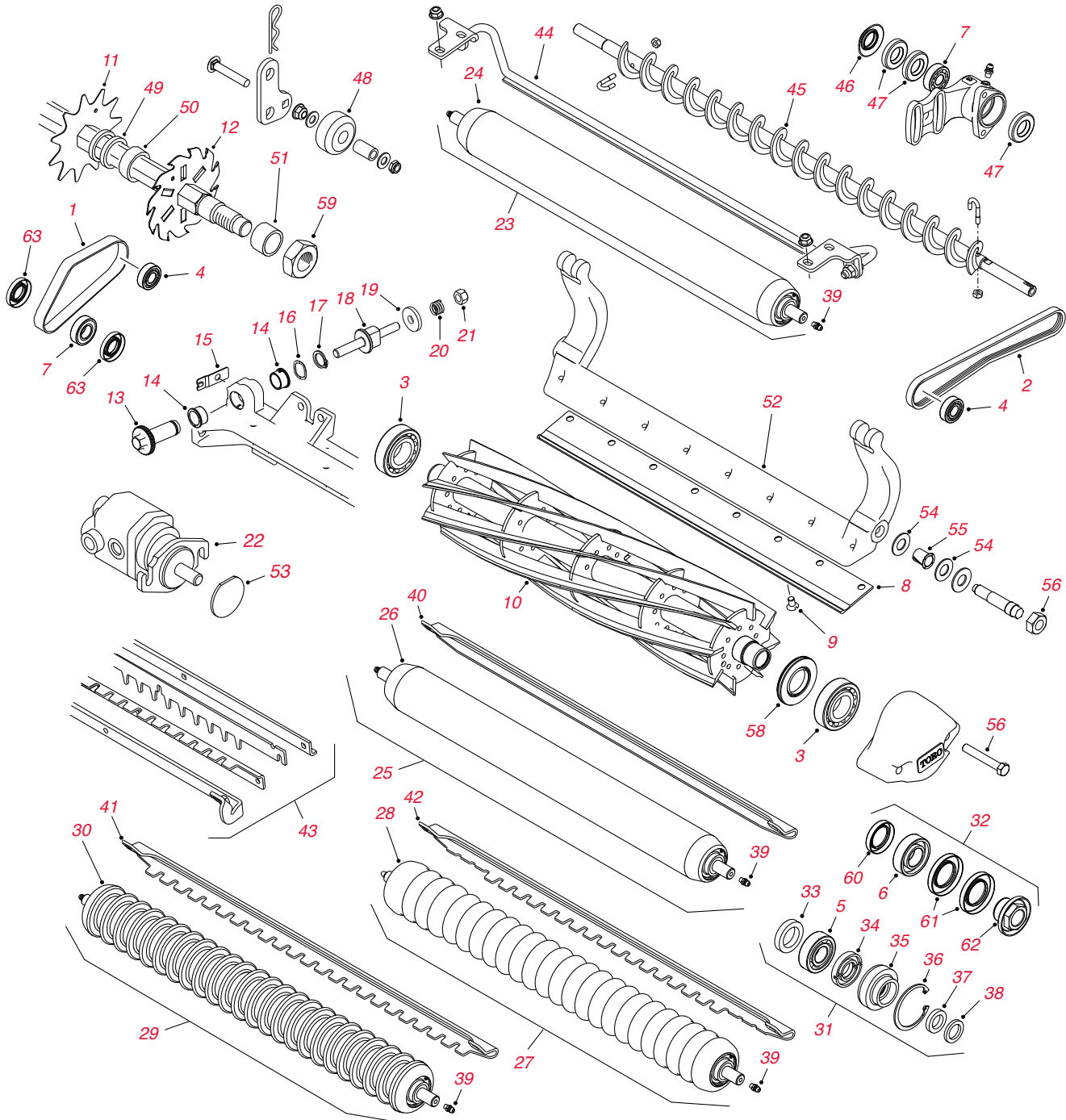
Cutting Unit & Verticutter Parts - continued

Ref. No.	Part No.	Description	Qty.
11	17-1590	BLADE - 11 TOOTH (STD)	37
12	106-6355	BLADE - DETHATCHING REEL (2MM CARBIDE TIPPED)	37
*	106-6392**	Dethatching Reel Blade MVP Kit (108 Blades 106-6355)	A/R
13	106-5363	ADJUSTER	2
14	106-5344	BUSHING - KEYED FLANGE	4
15	99-2097	DETENT	2
17	32120-93	RING - RETAINING	2
18	99-2096	SCREW - ADJUSTER	2
19	99-2098	WASHER	2
20	99-3755	ORDER 119-4156	2
20	119-4156	SPRING - COMPRESSION	2
21	33025-00	NUT - LOCK	2
*	108-6487	ORDER 112-9200	1
*	112-9200	ORDER 120-2072	
22	120-2072	REEL MOTOR (5210 & 5410)	1
23	110-4066	ORDER 114-5406	1
23	114-5406	REAR ROLLER ASSEMBLY - 2.5" SHORT (RM 5210/5410 2006-07)	
23	107-4040	ORDER 114-5404	1
*	114-5404	ROLLER ASSEMBLY - 2.5" LONG (RM 5010 SERIES)	1
23	114-5415	REAR ROLLER ASSEMBLY - 3" LONG (RM 5510/5610 2006-07)	1
23	114-5406	REAR ROLLER ASSEMBLY - 2.5" SHORT (RM 5210/5410 2008 & UP)	1
23	114-5417	REAR ROLLER ASSEMBLY - 3" SHORT (RM 5510/5610 2008 & UP)	1
23	114-5404	REAR ROLLER ASSEMBLY - 2.5" LONG (RM 5210/5410 2008 & UP)	1
23	114-5404	REAR ROLLER ASSEMBLY - 2.5" LONG (VERTICUTTER 2008 & UP)	1
24	114-5406	TUBE - REAR 2.5" SHORT ROLLER (RM 5210/5410 2006-07)	1
24	107-3299-03	TUBE - REAR 2.5" LONG ROLLER (RM 5210/5410 2006-07)	1
24	100-9943-03	TUBE - REAR 3" LONG ROLLER (RM 5510/5610 2006-07)	1
24	107-3299-03	TUBE - REAR 2.5" LONG ROLLER (VERTICUTTER 2006-07)	1
24	114-5409-03	ORDER 115-8293-03	1
24	114-5406	TUBE - REAR 2.5" SHORT ROLLER (RM 5210/5410 2008 & UP)	1
24	114-5418-03	TUBE - REAR 3" SHORT ROLLER (RM 5510/5610 2008 & UP)	1
*	115-8294-03	TUBE - REAR 2.5" LONG ROLLER (RM 5210/5410 2008 & UP)	
24	114-5416-03	ORDER 115-8292-03	1
*	115-8292-03	TUBE - REAR 3" LONG ROLLER (RM 5510/5610 2008)	
24	115-8294-03	TUBE - REAR 2.5" LONG ROLLER (VERTICUTTER 2008 & UP)	1
25	110-9605	FRONT ROLLER ASSEMBLY - 3" FULL (RM 52/54/55/5610 2006-07)	1
25	110-9614	ORDER 114-5419	1
25	114-5412	FRONT ROLLER ASSEMBLY - 3" FULL (RM 52/54/55/5610 2008 UP)	1
25	114-5419	FRONT ROLLER ASSEMBLY - 2.5" FULL	
26	110-9612-03	TUBE - FRONT 3" FULL ROLLER (RM 52/54/55/5610 2006-07)	1
26	110-9615-03	ORDER 114-5419	1
26	114-5419	TUBE - FRONT 2.5" FULL ROLLER (VERTICUTTER 2006-07)	1
	114-5413-03	ORDER 115-8297-03	
26	115-8297-03	TUBE - FRONT 3" FULL ROLLER (RM 52/54/55/5610 2008 UP)	1
26	115-8295-03	TUBE - FRONT 2.5" FULL ROLLER (VERTICUTTER 2008 & UP)	1
27	110-9608	ORDER 114-5421	1
27	114-5421	FRONT ROLLER ASSEMBLY - PLASTIC SHOULDER (2008 & UP)	1
28	110-9611	TUBE - FRONT PLASTIC SHOULDER ROLLER (2006-07)	1
28	114-5422	TUBE - FRONT PLASTIC SHOULDER ROLLER (2008 & UP)	1
29	110-4050	ORDER 114-5400	1
29	114-5400	FRONT ROLLER ASSEMBLY - PLASTIC WIEHLE	1
30	110-4051	ORDER 114-5400	1
30	114-5401	TUBE - FRONT PLASTIC WIEHLE ROLLER (2008 & UP)	1
31	106-9606**	Roller Rebuild MVP Kit (Bearings 109966 - 2006-07)	A/R
32	114-5430**	Roller Rebuild MVP Kit (Bearings 112-5290 - 2008 & Up)	A/R
33	93-3007	SEAL - INNER ROLLER	4

REELMASTER

TIER 4 REELMASTER® 5010-H / 5210 / 5410 / 5510 / 5610

MODELS: 03672 / 03687



Cutting Unit & Verticutter Parts - continued

Ref. No.	Part No.	Description	Qty.
34	93-1251	SEAL - INNER	2
35	93-1252	SEAL - OUTER	2
3	253-70	SEAL - OUTER	4
37	93-2931	WASHER - ROLLER	2
38	32120-62	RING - RETAINING	2
39	302-5	FITTING - GREASE	2
40	108-4475-03	SCRAPER - 2.5" FULL FRONT ROLLER (VERTICUTTER)	1
40	110-9602-03	SCRAPER - 3" FRONT FULL ROLLER	1
41	107-2993-03	SCRAPER - PLASTIC WIEHLE ROLLER	1
42	110-9609-03	SCRAPER - SHOULDER ROLLER	1
43	110-1735	COMB SCRAPER KIT	1
44	107-3280	SCRAPER KIT - REAR ROLLER	1
45	108-4190	REAR ROLLER BRUSH ASSEMBLY	1
*	110-4086**	Groomer & Rear Roller Brush Bearing MVP Kit (DPA)	A/R
	133-0150**	RM5010 5" Universal Groomer Kit (Cutting Unit 03763)	1
	133-0151**	RM5010 7" Universal Groomer Kit (Cutting Unit 03768)	1
	133-0153**	RM5010 5" x 22" RRB Kit for Universal Groomer (Cutting Unit 03658)	1
	133-0154**	RM5010 7" x 22" RRB Kit for Universal Groomer (Cutting Unit 03659)	1
	133-0157**	RM5010 5" x 22" RRB Kit without Universal Groomer (Cutting Unit 03406)	1
	133-0158**	RM5010 7" x 22" RRB Kit without Universal Groomer (Cutting Unit 03408)	1
46	108-4172	SEAL - EXCLUDER (REAR ROLLER BRUSH)	2
47	106-8530	SEAL - GREASE (REAR ROLLER BRUSH)	5
48	108-4293	ROLLER - KICKSTAND (VERTICUTTER)	2
49	17-1600	SPACER - .25"	72
50	17-1580	Spacer - .5"	A/R
51	82-6600	SPACER - .73"	2
52	107-3273-01	BEDBAR	1
53	2410-30	CAP - REEL MOTOR	1
54	61-1950	WASHER - PLASTIC	4
55	56-9520	BUSHING - FLANGED	2
56	3296-33	NUT - LOCK	2
57	322-12	SCREW - CAP HEX HD	2
58	107-4028	SEAL - GREASE	2
59	67-5840	NUT - LOCK	1
60	114-3717	SEAL - INNER	1
61	112-7494	SEAL - OUTER	2
62	114-5411	NUT - BEARING LOCK	1
63	106-8530	SEAL - BEARING	5
*	29-9100	BRUSH AND HANDLE ASM (RM 5410/5510/5610)	1
*	115-0833	BELT-BRUSH, 7" FOR UNIVERSAL GROOMER (RM 5010-H/5510/5610)	1
*	117-0148	PIN - CYLINDER	3
*	117-0208	SHAFT - PIVOT, LIFT ARM (RM 5010-H/5210/5410/5510/5610)	3
*	117-3290	NUT - HEX (RM 5010-H/5210/5410/5510/5610)	2
*	121-5631	HUB ASM (RM 5010-H/5210/5410/5510/5610)	2
*	32144-4	SCREW - HWH (RM 5010-H/5410/5510/5610)	1
*	325-12	SCREW - HH (RM 5010-H/5210/5410/5510/5610)	8
*	327-7	SCREW - HH (RM 5010-H/5210/5410/5510/5610)	3
*	115-0839	SPRING - IDLER (RM 5010 Series)	1
*	130-4105	BLADE - GROOMER FOR UNIVERSAL GROOMER (RM 5010 Series)	47
*	3234-42	SCREW - HHF (RM 5010 Series)	1

REELMASTER

REELMASTER® 6500D / 6700D

Traction Unit Parts

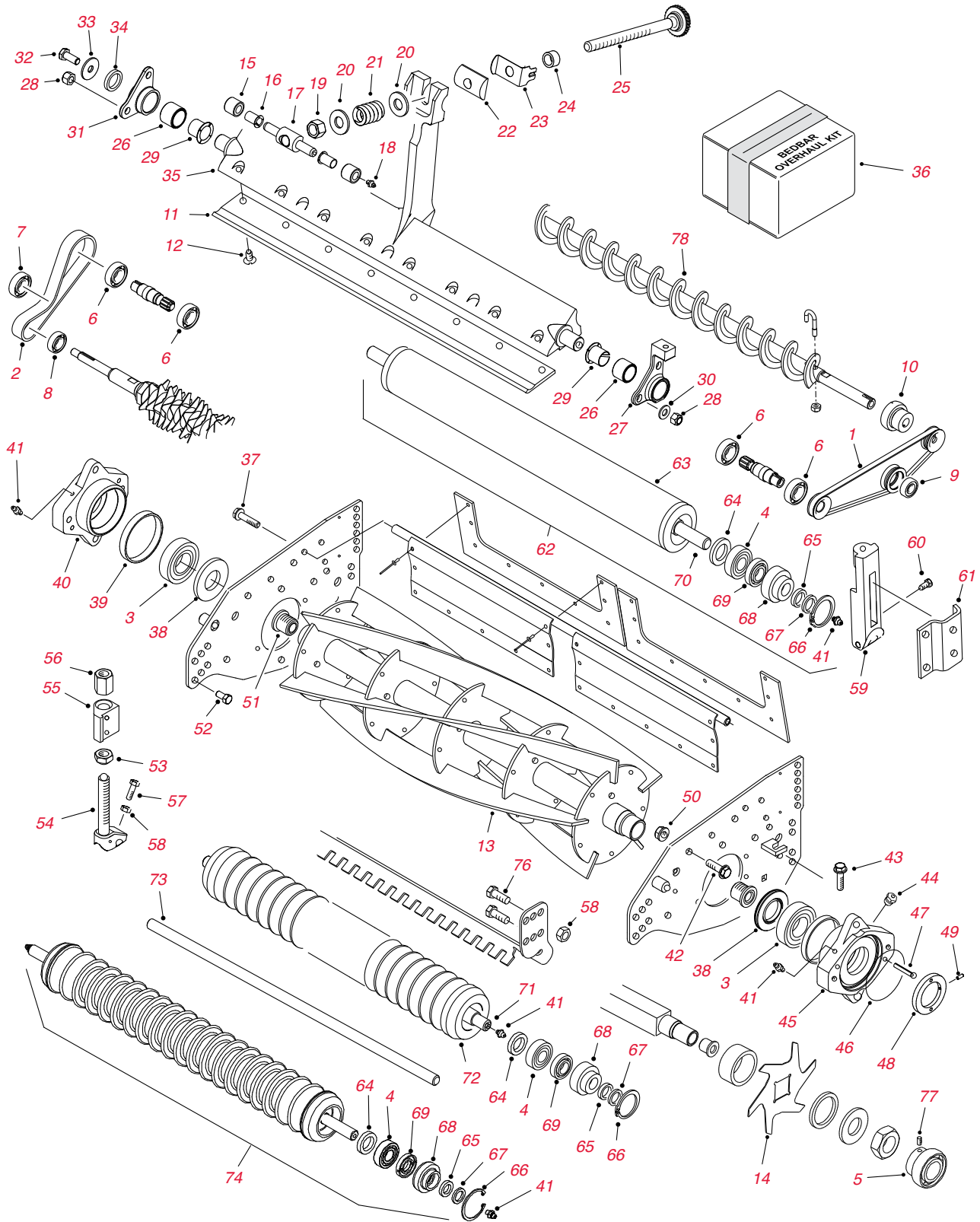
	Part No.	Description	Qty.
FILTERS			
	30014**	400 Hour Filter MVP Kit (RM 6500D/6700D - 2003-07)	A/R
	30057**	400 Hour Filter MVP Kit (RM 6500D/6700D - 2008 & Up)	A/R
	74-7970	ORDER 108-3837	1
	108-3837	FILTER - ENGINE OIL (RM 6500D/6700D 1995-01)	1
	99-8384	ORDER 108-3841	1
	104-5167	ORDER 108-3841	1
	108-3841	FILTER - ENGINE OIL (RM 6500D/6700D 2001 & UP)	1
	93-9162	ORDER 108-3812	1
	108-3812	ELEMENT - AIR CLEANER OUTER	1
	93-9163	ORDER 108-3813	1
	108-3813	ELEMENT - AIR CLEANER INNER	1
	98-7612	FILTER - FUEL, PLASTIC	1
	108-3828	FILTER - FUEL, METAL	1
	76-5220	ELEMENT - FUEL FILTER (RM 6500D/6700D 1995-01)	1
	99-8358	ELEMENT - FUEL FILTER (RM 6500D/6700D 2001-02)	1
	98-9764	ELEMENT - WATER/FUEL FILTER (2003-2007)	1
	110-9049	ELEMENT - WATER/FUEL FILTER (2008 & UP)	1
	112-9140	BIO-DIESEL FUEL FILTER KIT	1
	112-8400	BIO-DIESEL FUEL PUMP KIT	1
	110-9015	ELEMENT - SEPARATOR (BIO-DIESEL KIT)	1
	112-7836	IN-LINE FUEL FILTER (BIO-DIESEL KIT)	1
	94-2621	FILTER - HYDRAULIC	1
	98-9493	ELEMENT - BREATHER (RM 6500D/6700D)	1
BELTS			
	94-3256	MULTI-ROW V-BELT - ALTERNATOR DRIVE - PEUGEOT	1
	98-9676	V-BELT - ALTERNATOR DRIVE - KUBOTA	1
	74-8830	BELT - TIMING (1995-2000 SERIAL 210999999)	1
TIRES			
	94-8143	ORDER 95-3465 (6500D/6700D)	2
	95-3465	TIRE - FRONT (29 X 14 - 15) 4-PLY (6500D/6700D)	2
	100-6700	ORDER 95-3465 (6500D/6700D)	2
	95-3465	TIRE - FRONT (29 X 14 - 15) 4-PLY ULTRA-TRAC (6500D/6700D)	2
	86-5910	TIRE - REAR (20 X 10 - 10) 6-PLY (6500D/6700D)	2
SEAT			
	131-6691	SEAT COVER, LARGE	1
	137-1312	MESH SEAT COVER, LARGE	1
	104-4620	SEAT - STD	1
HOSES			
	105-0139**	Cutting Unit Hydraulic Hose MVP Kit (5 Primary Units)	A/R
	105-0140**	Cutting Unit Hydraulic Hose MVP Kit (2 Wing Units)	A/R
	105-7927	HOSE - HYD (RM 6500/6700)	2
	105-9817	HOSE - HYD	1
	92-7534	HOSE - HYD (RM 6500/6700)	1
	92-7536	HOSE - HYD (RM 6500/6700)	1
	92-7539	HOSE - HYD (RM 6500/6700)	1
STARTER & ALTERNATOR			
	112-1352	STARTER (1998-2001 - PEUGEOT)	1
	98-9705	STARTER (2001 & UP - KUBOTA)	1
	112-1364	ALTERNATOR (1995-2001 - PEUGEOT)	1
	131-6557	ALTERNATOR (2001 & UP - KUBOTA)	1

Traction Unit Parts - continued

	Part No.	Description	Qty.
<i>OTHER</i>			
	115-5305	CAP - FUEL	1
	108-0638	BOTTLE - OVERFLOW	1
	66-8800	RELAY (RM 6500/6700)	1
	74-3650	FAN (RM 6500/6700)	1
	100-3069	RH BRAKE ASM (RM 6500/6700)	1
	100-3070	LH BRAKE ASM (RM 6500/6700)	1
	98-1471	WHEEL - STEERING (6700)	1
	119-6968	DIPSTICK - OIL	1
	100-3795	JOINT - BALL	1
	117-8972	FAN CLUTCH ASM (6500/6700)	1
	108-6715	GAUGE BAR ASM	1
	340-6	FITTING - STRAIGHT (RM 6500/6700)	5
	117-9507	PEDAL - ACCELERATOR (RM 6500/6700)	1

REELMASTER

REELMASTER® 5500D / 6500D / 6700D



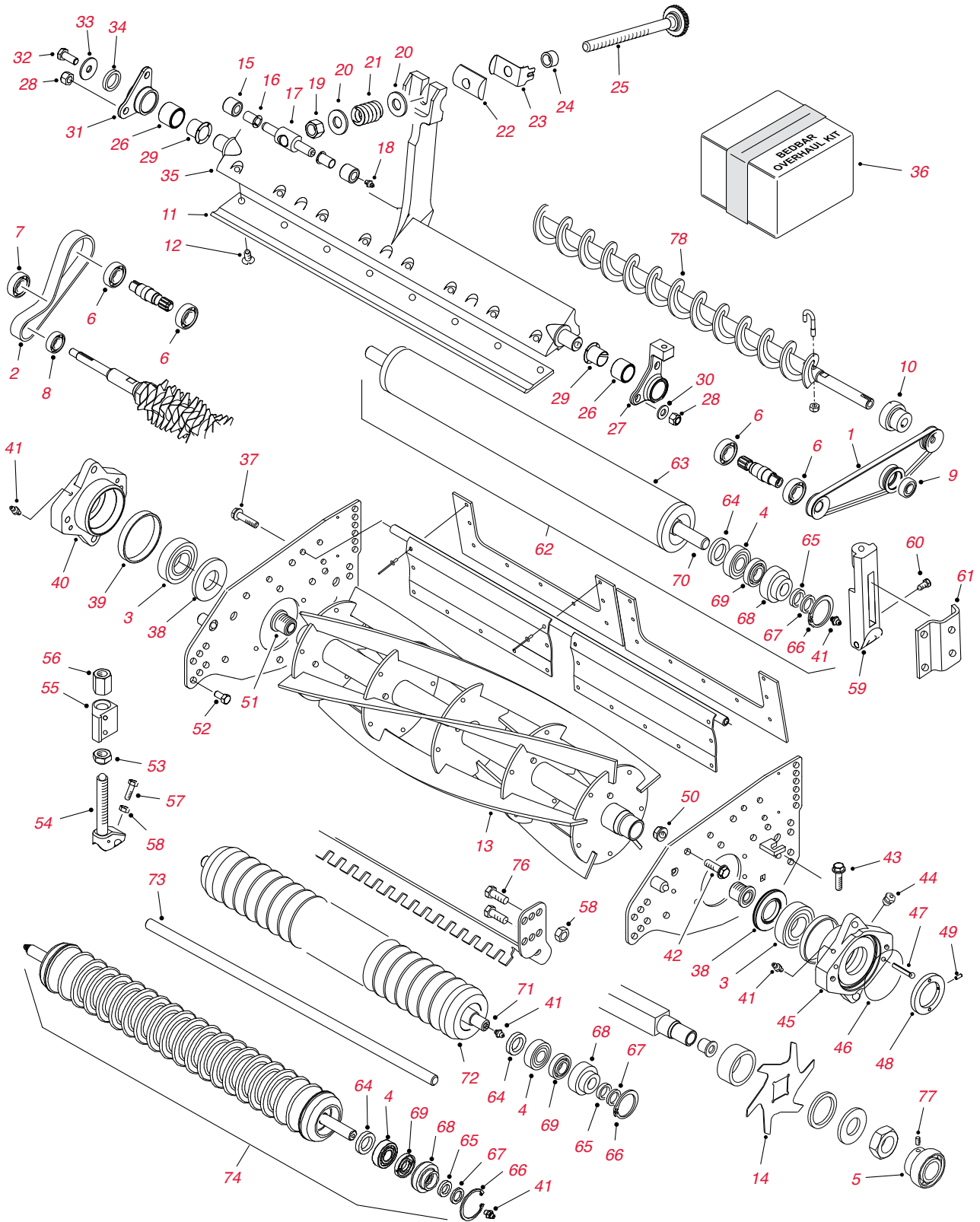
SPA (Single Point Adjust) Cutting Unit Parts

Ref. No.	Part No.	Description	Qty.
1	105-6795	ORDER 108-6713	1
1	108-6713	BELT - REAR ROLLER BRUSH DRIVE	1
2	108-0617	BELT - GROOMER DRIVE	1
3	93-2489	BEARING - REEL (1995-01)	2
3	105-3827	BEARING - REEL (2002 & UP)	2
4	109966	BEARING - ROLLER	4
5	94-2710	BEARING - DETHATCHER	2
6	98-5215	BEARING - GROOMER & REAR ROLLER BRUSH DRIVE	2
7	38-7820	BEARING - GROOMER BELT IDLER	1
8	95-0707	BEARING - GROOMER SHAFT	2
9	251-259	BEARING - REAR ROLLER BRUSH IDLER	1
	104-1842	ORDER 132-6979	
10	132-6979	BEARING - REAR ROLLER BRUSH SHAFT	2
11	93-9774	BEDKNIFE - LOW-CUT	1
11	94-8936	BEDKIFE - LOW-CUT EXTENDED	1
11	98-3994	ORDER 104-1810	1
11	104-1810	BEDKNIFE - HIGH-CUT	1
11	108-9095	ORDER 137-0833	1
*	137-0833	BEDKNIFE - 22" FAIRWAY CUT - EDGEMAX	1
	57-4910	ORDER 119-4151	8
12	119-4151	SCREW - SPECIAL	8
	94-4337	ORDER 137-8451	
13	130-0095	ORDER 137-8451	1
*	137-8451	REEL+ - 5 BLADE 7" FAIRWAY, SPA	1
	94-4338	ORDER 137-8453	
13	130-4114	ORDER 137-8453	1
*	137-8453	REEL+ - 11 BLADE 7" FAIRWAY, SPA	1
	95-2770	ORDER 130-0099	
13	130-0099	REEL - 7 BLADE	1
14	93-3038-03	BLADE - DETHATCHER (STANDARD)	16
14	106-8625	BLADE - DETHATCHER (CARBIDE TIPPED)	16
15	62-5510	BUSHING	2
16	52-2890	BUSHING - PLASTIC	2
17	57-5260	ORDER 107-7490	1
17	107-7409	PIN - BEDBAR PIVOT	1
18	302-18	FITTING - GREASE	1
19	3296-62	NUT - LOCK	1
20	29-8910	WASHER	2
21	93-2915	ORDER 95-0772	1
21	95-0772	SPRING - COMPRESSION	1
22	93-2892	PIVOT - BEADBAR	1
23	95-8752	ARM - SPRING	1
24	93-2959	SPACER - ADJUSTER	1
25	95-2762	ORDER 106-7536	1
25	95-8877	ORDER 106-7536	1
25	106-7536	ADJUSTER - BEDBAR	1
26	93-7501	BUSHING ASSEMBLY	2
27	93-2512	ORDER 100-3381	1
27	100-3381	HUB - BEDBAR PIVOT LH	1
28	33024-00	NUT - HEX LOCK	4
29	93-7502	BUSHING - FLANGE	2
30	3256-74	WASHER - FLAT	4
31	93-2513	ORDER 100-3380	1
31	100-3380	HUB - BEADBAR PIVOT RH	1
32	33104-020	SCREW - CAP HEX HD	1
33	3256-82	WASHER - FLAT	1
34	93-7510	SEAL - QUAD RING	1
35	95-3458	ORDER 99-8698-01	1
35	99-8698-01	BEDBAR	1
36	106-9605**	Bedbar Overhaul MVP Kit (SPA)	A/R
37	33104-040	BOLT - GRASS SHIELD PIVOT	1
38	93-2483	ORDER 94-8908	2
38	94-8908	SEAL - GREASE (1995-01)	2

*Not illustrated. **Not sold separately. See pages 20-33 for kit contents. Prices subject to change without notice. Please see your Parts Catalog or Master Parts Viewer to ensure the correct part is ordered, as the part you need may not be listed above. toro.com/parts

REELMASTER

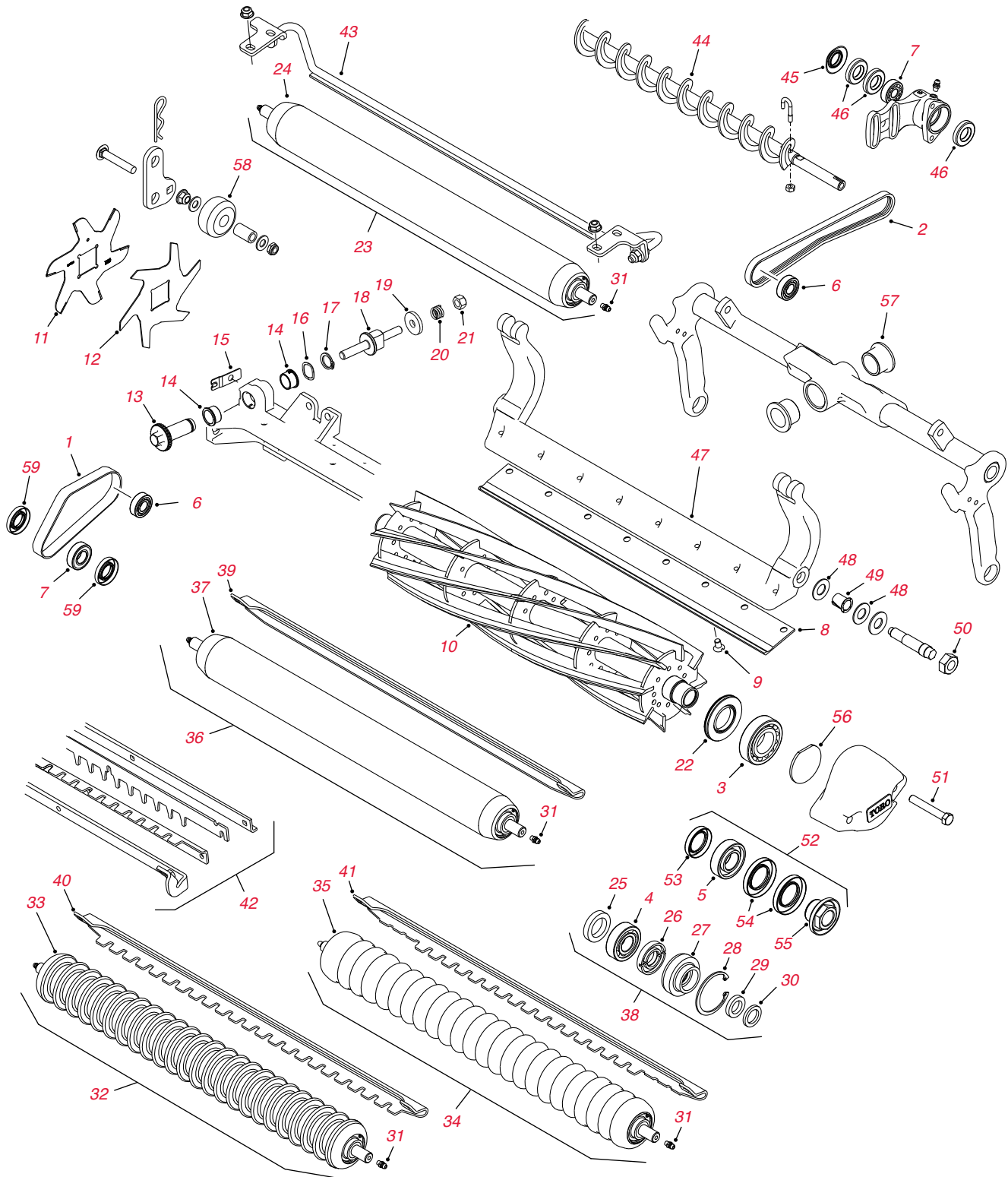
REELMASTER® 5500D / 6500D / 6700D



SPA (Single Point Adjust) Cutting Unit Parts - continued

Ref. No.	Part No.	Description	Qty.
38	105-6757	ORDER 107-4028	2
38	107-4028	SEAL - GREASE (2002 & UP)	2
39	93-2922	ORDER 93-9793	1
39	93-9793	RING - BEARING	1
40	93-9794	HOUSING - RH (INCL #32)	1
41	302-5	FITTING - GREASE	2
42	33105-025	SCREW - CAP	8
43	94-3489	SCREW - ADJUST (1997 & UP)	1
44	302-34	FITTING - BREATHER	2
45	93-9795	HOUSING - LH (INCL #32)	1
46	93-9783	SEAL - O-RING (REEL)	4
47	32121-69	PIN - ROLL	4
48	93-9786	ORDER 99-5672	1
48	95-2793	NUT - BEARING ADJUST	1
48	99-5672	NUT - BEARING ADJUST	1
49	3245-42	SCREW - SET	1
50	33025-00	NUT - LOCK	12
51	94-2732	INSERT - THREADED R.H.	1
*	94-2733	INSERT - THREADED L.H.	1
52	33115-016	SCREW - CAP HEX HD	4
53	95-2789	NUT - SHORT	2
54	95-2783	ORDER 100-7100	2
54	100-7100	ROD - SUPPORT	2
54	100-2263	ROD - SUPPORT	2
55	95-7733-01	BRACKET - HOC	2
55	100-2261-01	BRACKET - HOC (FRONT)	2
55	100-2262-01	BRACKET - HOC (REAR)	2
56	95-2790	NUT - LONG	2
57	33114-025	SCREW - HEX HD	2
58	32128-20	NUT - LOCK	1
59	93-2904-01	BRACKET - REAR ROLLER	2
	93-9757	ORDER 33114-016	4
60	33114-016	SCREW	4
61	61-0910	BRACKET - REAR ROLLER	2
	99-5720	ORDER 114-5415	1
62	114-5415	3" REAR FULL ROLLER ASSEMBLY (LONG)	1
62	99-5749	3" FULL ROLLER ASM	1
*	106-9606**	Roller Rebuild MVP Kit	A/R
63	98-7966	REAR ROLLER ASSEMBLY (2.5" X 20.5") (EARLY 03853/54/56)	1
63	94-4335	ROLLER TUBE ASSEMBLY (LATER MODELS 03853/54/56)	1
64	93-3007	SEAL - INNER ROLLER	4
65	253-70	SEAL - OUTER	4
66	32120-62	RING - RETAINING	2
67	93-2931	WASHER - ROLLER	2
68	93-1252	SEAL - OUTER	2
69	93-1251	SEAL - INNER	2
70	93-1256	SHAFT - REAR ROLLER (FOR 98-7966) (EARLY 03853/54/56)	1
70	94-4328	SHAFT - REAR ROLLER (FOR 94-4335) (LATER 03853/54/56)	1
71	94-4329	SHAFT - GROOVED ROLLER	1
72	94-4330	ORDER 99-8686	1
72	99-8686	WIEHLE ROLLER ASSEMBLY	1
72	100-9905-03	WIEHLE ROLLER TUBE ASSEMBLY	1
72	100-9906	WIEHLE ROLLER ASSEMBLY	1
73	93-2887	SHAFT - FRONT FULL ROLLER	1
74	99-8675	SHOULDER WHEILE ROLLER ASSEMBLY	1
76	33105-030	SCREW - HEX HD	4
77	3245-1	SCREW - SET	1
78	104-1829	ORDER 105-6792	1
78	105-6792	REPLACEMENT REAR ROLLER BRUSH	1
*	106-9627**	Rear Roller Brush Rebuild MVP Kit (SPA)	A/R

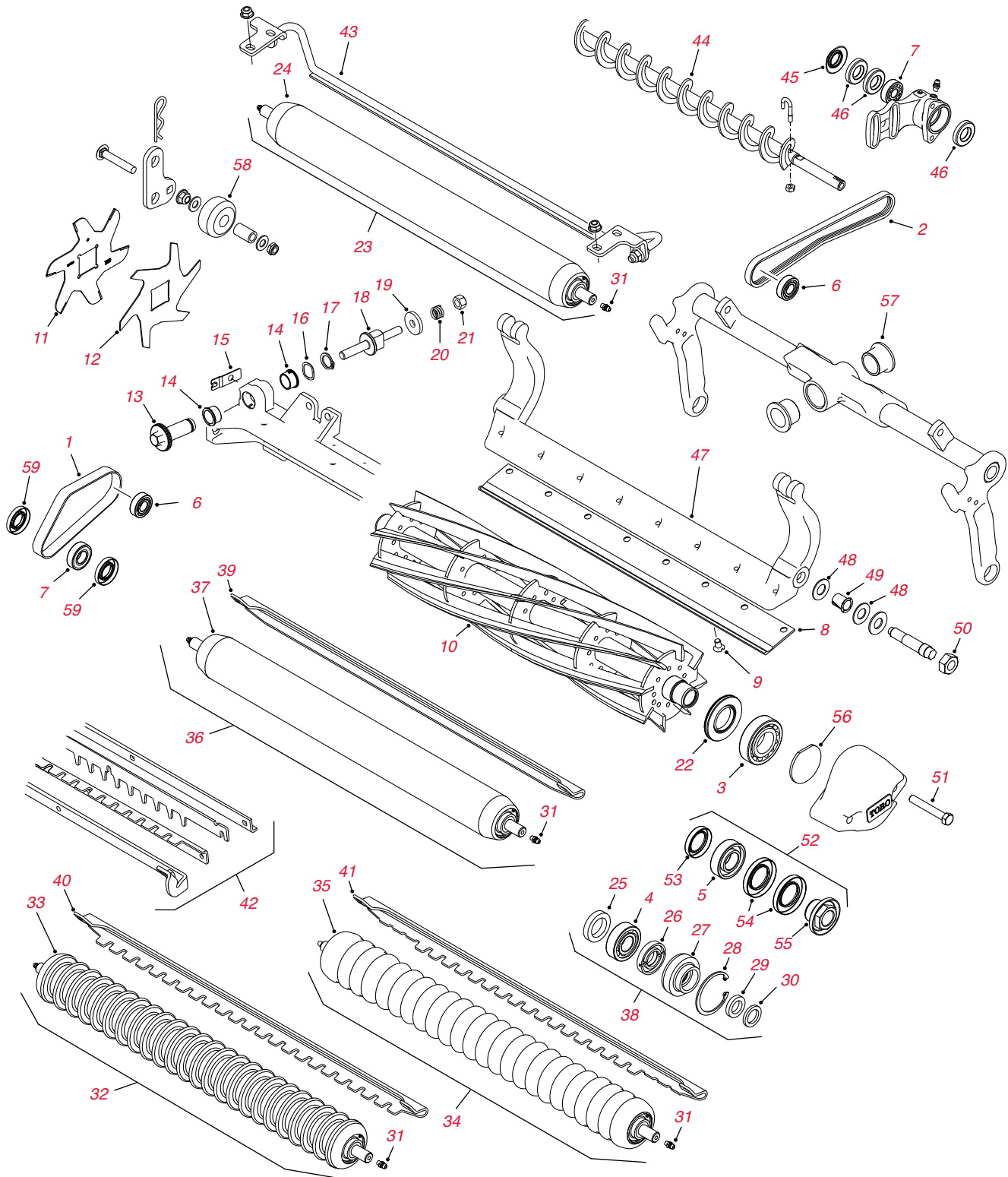
REELMASTER
REELMASTER® 6500D / 6700D



DPA (Dual Point Adjust) Cutting Unit & Verticutter Parts

Ref. No.	Part No.	Description	Qty.
1	110-1716	BELT - GROOMER DRIVE	1
2	110-1747	BELT - REAR ROLLER BRUSH DRIVE	1
3	93-2489	BEARING - REEL	2
4	109966	BEARING - ROLLER	4
5	112-5290	BEARING - STAINLESS STEEL	1
6	93-2559	BEARING - REEL (GROOMER/ROLLER BRUSH DRIVE)	1
7	95-0707	BEARING - BALL (REAR ROLLER BRUSH/GROOMER DRIVE)	2
	117-0978	ORDER - 120-1640	
8	120-1640	BEDKNIFE - FAIRWAY-CUT EXTENDED	1
8	108-9095	ORDER 137-0833	1
*	137-0833	BEDKNIFE - 22" FAIRWAY CUT - EDGEMAX	1
8	108-9096	BEDKNIFE - FAIRWAY-CUT	1
8	110-4074	BEDKNIFE - FAIRWAY-CUT - HEAVY DUTY	1
8	110-4084	BEDKNIFE - LOW-CUT	1
*	119-4280	BEDKNIFE - EDGEMAX EXTENDED LOW HOC	1
	57-4910	ORDER 119-4151	8
9	119-4151	SCREW - BEDKNIFE	8
	108-9072	ORDER 127-2077	
10	127-2077	REEL - 5 BLADE Service Only (7" DIA - CUTTING UNITS 03681/03863/03696/03698/03864/03682/03697/03699)	1
	107-3264	ORDER 127-2084	
10	127-2084	ORDER 137-8432	1
*	137-8432	REEL+ - 8 BLADE 7" FAIRWAY	1
	108-9073	ORDER 127-2084	
	108-9074	ORDER 127-2085	
10	127-2085	ORDER 137-8433	1
*	137-8433	REEL+ - 11 BLADE 7" FAIRWAY	1
	117-0980	ORDER 127-2085	
10	133-8211	EDGESERIES REEL - 8 BLADE RR (7" DIA - CUTTING UNIT 03681/03863/03696/03698)	1
10	127-0294	ORDER 137-8439	1
*	137-8439	EDGESERIES REELS+ - 11 BLADE 7" FAIRWAY FSR	1
11	93-3038-03	BLADE	16
12	106-8625	BLADE - CARBIDE TIP	16
13	106-5363	ADJUSTER	2
14	106-5344	BUSHING - KEYED FLANGE	4
15	99-2097	DETENT	2
17	32120-93	RING - RETAINING	2
18	99-2096	SCREW - ADJUSTER	2
19	99-2098	WASHER	2
20	99-375	ORDER 119-4156	2
20	119-4156	SPRING - COMPRESSION	2
21	33025-00	NUT - LOCK	2
22	107-4028	SEAL - GREASE	2
23	114-5415	REAR ROLLER ASSEMBLY - 3" LONG (2007 & UP)	1
23	107-4040	ORDER 114-5404	1
*	114-5404	LONG REAR ROLLER ASM 22" (2.5" DIA)	1
23	114-5417	REAR ROLLER ASSEMBLY - 3" SHORT (2008 & UP)	1
23	114-5415	REAR ROLLER ASSEMBLY - 3" LONG (2008 & UP)	1
*	104-1834	IDLER BEARING - REAR ROLLER ASSEMBLY	1
24	100-9943-03	TUBE - REAR 3" LONG ROLLER (2007)	1
24	107-3299-03	TUBE - REAR 2.5" LONG ROLLER (VERTICUT)	1
24	114-5418-03	TUBE - REAR 3" SHORT ROLLER (2008 & UP)	1
24	115-8292-03	TUBE - REAR 3" LONG ROLLER (2008 & UP)	1
25	93-3007	SEAL - INNER ROLLER	4
26	93-1251	SEAL - INNER	2
27	93-1252	SEAL - OUTER	2
28	253-70	SEAL - OUTER	4
29	93-2931	WASHER - ROLLER	2
30	32120-62	RING - RETAINING	2
31	302-5	FITTING - GREASE	2

REELMASTER
REELMASTER® 6500D / 6700D



DPA (Dual Point Adjust) Cutting Unit & Verticutter Parts - continued

Ref. No.	Part No.	Description	Qty.
32	110-4050	ORDER 114-5400	1
32	114-5400	FRONT ROLLER ASSEMBLY - PLASTIC WIEHLE	1
33	110-4051	ORDER 114-5400	1
33	114-5401	TUBE - FRONT PLASTIC WIEHLE ROLLER (2008 & UP)	1
34	110-9608	ORDER 114-5421	1
34	114-5421	FRONT ROLLER ASSEMBLY - PLASTIC SHOULDER (2008 & UP)	1
35	110-9611	TUBE - FRONT PLASTIC SHOULDER ROLLER (2007)	1
35	114-5422	TUBE - FRONT PLASTIC SHOULDER ROLLER (2008 & UP)	1
36	110-9605	FRONT ROLLER ASSEMBLY - 3" FULL (2007)	1
36	110-9614	ORDER 114-5419	1
36	114-5412	FRONT ROLLER ASSEMBLY - 3" FULL (2008 UP)	1
37	110-9612-03	TUBE - FRONT 3" FULL ROLLER (2007)	1
37	110-9615-03	ORDER 114-5419	1
37	114-5419	TUBE - FRONT 2.5" FULL ROLLER (VERTICUT)	1
	114-5413-03	ORDER 115-8297-03	
37	115-8297-03	TUBE - FRONT 3" FULL ROLLER (2008 UP)	1
38	106-9606**	Roller Rebuild MVP Kit (Bearings 109966 - 2007)	A/R
39	108-4475-03	SCRAPER - 2.5" FULL FRONT ROLLER (VERTICUT)	1
39	110-9602-03	SCRAPER - 3" FRONT FULL ROLLER	1
40	107-2993-03	SCRAPER - PLASTIC WIEHLE ROLLER	1
41	110-9609-03	SCRAPER - SHOULDER ROLLER	1
42	110-1735	COMB SCRAPER KIT	1
43	107-3280	SCRAPER KIT - REAR ROLLER	1
44	108-4190	REAR ROLLER BRUSH ASSEMBLY (2007)	1
*	110-4086**	Groomer & Rear Roller Brush Bearing MVP Kit (DPA)	A/R
45	108-4172	SEAL - EXCLUDER (REAR ROLLER BRUSH)	2
46	106-8530	SEAL - GREASE (REAR ROLLER BRUSH)	5
47	107-3273-01	BEDBAR	1
48	61-1950	WASHER - PLASTIC	4
49	56-9520	BUSHING - FLANGED	2
50	3296-33	NUT - LOCK	2
51	323-12	SCREW - CAP HEX HD	2
52	114-5430**	Roller Rebuild MVP Kit (Bearings 112-5290 - 2008 & Up)	A/R
53	114-3717	SEAL - INNER	1
54	112-7494	SEAL - OUTER	2
55	114-5411	NUT - BEARING LOCK	1
56	94-2703	CAP - REEL MOTOR	1
57	94-1291	BUSHING - FLANGE	2
58	108-4293	ROLLER - KICKSTAND (VERTICUTTER)	2
59	106-8530	SEAL - BEARING	5
*	29-9100	BRUSH AND HANDLE ASM	1
*	100-3795	JOINT - BALL	1
*	107-0245	SEAL KIT	1
*	115-0833	BELT - BRUSH, 7" FOR UNIVERSAL GROOMER	1
*	2411-36	BEARING - END, ROD	2
*	32121-110	PIN - ROLL, SLOTTED	1
*	110-7352	SCREW - HOC	1
*	32144-1	SCREW - TAPTITE	12
*	3296-51	NUT - LOCK, NI	4
*	353-781	FITTING - ELBOW	2
*	95-7158	PIN - PIVOT	2

REELMASTER

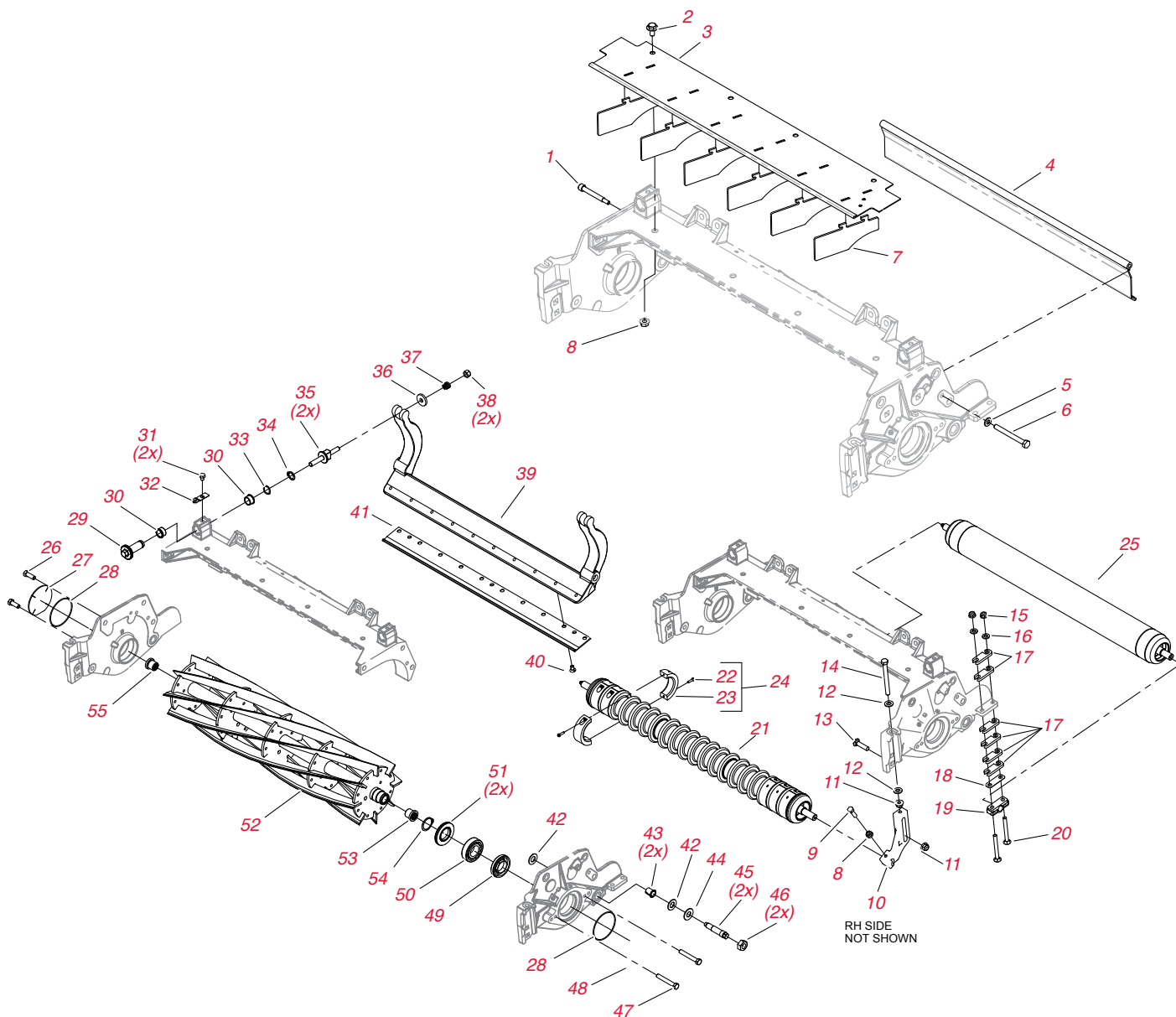
REELMASTER® 7000D

Traction Unit Parts

	Part No.	Description	Qty.
FILTERS			
	30056**	400 Hour Filter MVP Kit Reelmaster 7000D	A/R
	108-3814	AIR FILTER - OUTER	1
	108-3816	AIR FILTER - INNER	1
	75-1310	HYDRAULIC OIL FILTER - AT PUMP	1
	94-2621	HYDRAULIC OIL FILTER - AT MANIFOLD	1
	104-5169	ENGINE OIL FILTER	1
	93-2242	FILTER - OIL	1
BELTS			
	120-5824	BELT - FAN	1
TIRES			
	63-4480	TIRE (31 X 13.5 - 15) 4-PLY	1
	117-5125	TIRE (20 X 12 - 10) 4-PLY TURF TRAC (2010 & UP)	1
SEAT			
	131-6691	SEAT COVER, LARGE	1
	137-1312	MESH SEAT COVER, LARGE	1
STARTER & ALTERNATOR			
	120-5819	ALTERNATOR	1
	115-8603	STARTER	1
	106-5269	IGNITION SWITCH ASM	1
HYDRAULIC MOTOR			
	115-8250	GEAR MOTOR ASM	1
	104-5464	HOSE - HYD	2
	104-5483	HOSE - HYD	2
	105-9238	HOSE - HYD	4
	105-9817	HOSE - HYD	1
	92-7534	HOSE - HYD	1
	92-7536	HOSE - HYD	1
	92-7539	HOSE - HYD	1
	105-1219	HYD MOTOR ASM	1
OTHER			
	114-3831	HOSE - RADIATOR, UPPER	1
	114-3832	HOSE - RADIATOR, LOWER	1
	100-9333	GASKET - MUFFLER	1
	104-3563	INDICATOR	1
	105-1218	PISTON MOTOR ASM	2
	114-3825	FAN	1
	114-3848	COUPLER - SPRING, FLYWHEEL	1
	114-8119	STEERING VALVE ASM	1
	119-3871	RADIATOR	1
	353-781	FITTING - ELBOW	2
	53-9682	MOUNT - ENGINE	4
	100-4890	FITTING - CHECK	1
	119-6968	DIPSTICK - OIL	1
	100-3795	JOINT - BALL	1
	112-8935	FRAME - CENTER (2007-2016)	1
	112-8978	FRAME - CENTER	1
	117-2364	HUB - FAN	1
	117-2376	CABLE - BATTERY, POSITIVE (2001-2014)	1
	108-6715	GAUGE BAR ASM	1
	112-9919	STOP - CABLE, THROTTLE	1
	117-9507	PEDAL - ACCELERATOR	1

REELMASTER

REELMASTER® 7000D



Cutting Unit Parts

Ref. No.	Part No.	Description	Qty.
1	107-7773	SCREW-HSH	1
2	3234-7	SCREW-HHF	4
3	112-8942	FRONT GRASS SHIELD ASM	1
4	112-8944-01	REAR GRASS SHIELD ASM	1
5	3256-74	WASHER-FLAT	1
6	322-14	SCREW-HH	1
7	110-1706	DEFLECTOR	6
8	32128-20	NUT-HF	2
9	322-16	SCREW-HH	2
10	120-0404	BRACKET-HIGH HOC (LH)	1
10	120-0405	BRACKET-HIGH HOC (RH)	1
11	104-8301	NUT-FLANGE, NI	4
12	48-9220	WASHER	4
13	3231-4	SCREW-CARR	2
14	107-4026	SCREW-HH	2

Cutting Unit Parts - continued

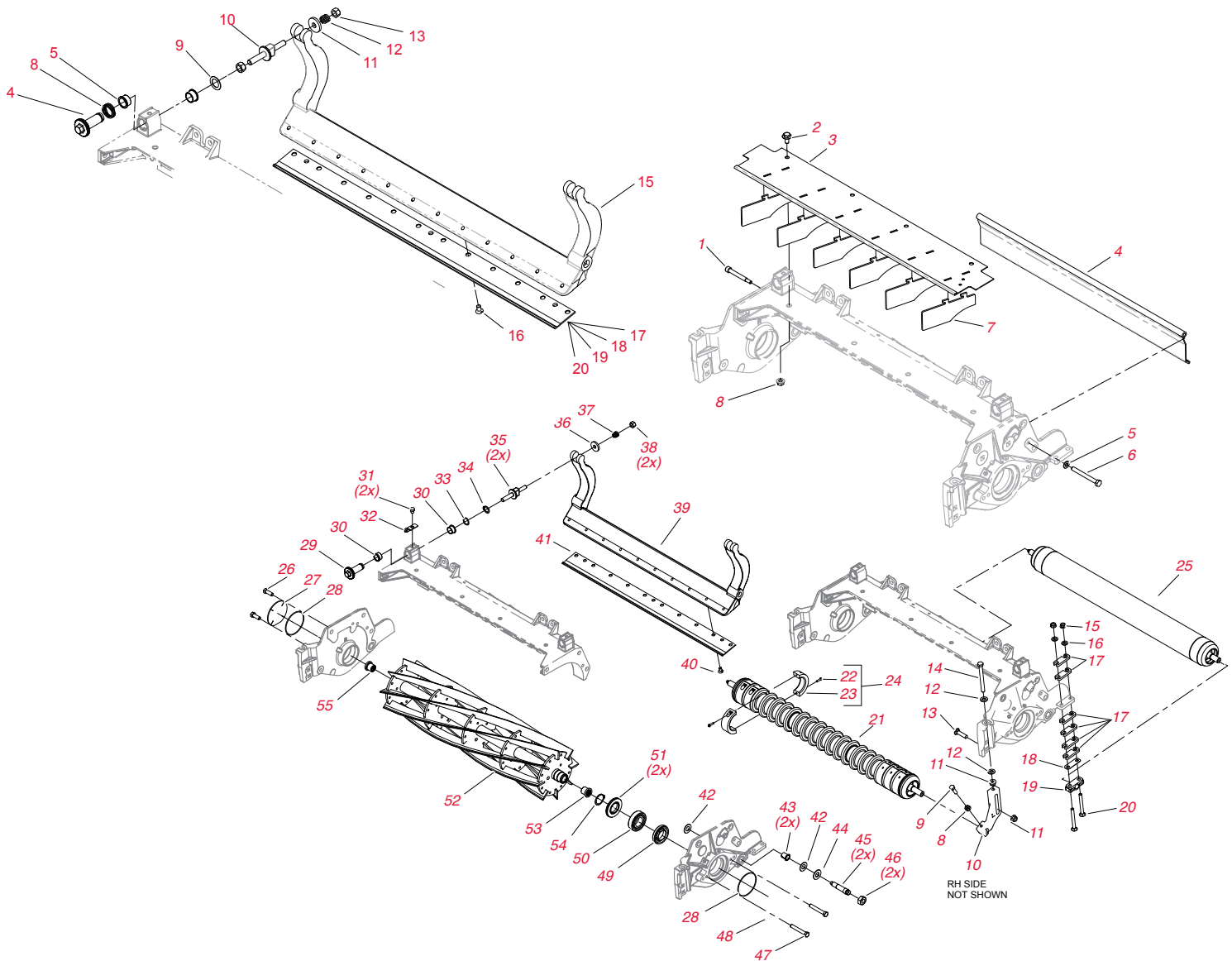
Ref. No.	Part No.	Description	Qty.
15	104-8300	NUT-FLANGE, NI	4
16	94-6936	WASHER-HARDENED	4
17	119-0626	SHIM-ROLLER	12
18	107-4001	SHIM-ROLLER (0.01)	2
19	106-3924	BRACKER-ROLLER, REAR	2
20	3230-26	SCREW- CARR	4
21	119-0630	PLASTIC SHOULDER ROLLER ASM	1
21	117-0960	PLASTIC WIEHLE ROLLER ASM	1
21	114-9383	FULL FRONT ROLLER ASM	1
22	119-1604	COLLAR-TRIM/HD	2
23	104-1835	SCREW	2
24	119-0649	TRIM/HD COLLAR KIT	4
25	112-8915	REAR ROLLER ASM (3" DIA)	1
25	119-4286	REAR ROLLER ASM (SHORT)	1
26	323-6	SCREW-HH	2
27	94-2703	PLUG	1
28	112-6967	O-RING	2
29	106-5363	SHAFT-ADJUSTER	2
30	106-5344	BUSHING-FLANGED, KEYED	4
31	114-9396	CAPSCREW-HH	2
32	99-2097	DETENT	2
33	106-5335	ORDER 119-4164	2
33	119-4164	WASHER - WAIVE	2
34	32120-93	RING-RETAINING	2
35	99-2096	SCREW-ADJUSTER, BEDBAR	2
36	99-2098	WASHER	2
37	99-3755	ORDER 119-4156	2
37	119-4156	SPRING-COMPRESSION	2
38	33025-00	NUT-LOCK, NI	2
39	112-8908-01	BEDBAR	1
*	112-8954-01	BEDBAR	1
	57-4910	ORDER 119-4151	10
40	119-4151	SCREW-SPECIAL	10
41	114-9388	27" FAIRWAY CUT	1
41	112-8910	27" EDGEMAX FAIRWAY CUT (EXTENDED)	1
41	114-9390	27" FAIRWAY CUT HEAVY DUTY	1
41	120-1641	BEDKNIFE-LOW HOC EXT	1
42	61-1950	WASHER-PLASTIC	4
43	56-9520	BUSHING-FLANGED	2
44	69-8980	WASHER	2
45	106-9623	BOLT-BEDBAR	2
46	3296-33	NUT-LOCK, NI	2
47	323-12	SCREW-HH	2
48	119-0614-01	WEIGHT-END	1
49	107-2954	NUT-ADJUSTER, BEARING	1
50	93-2489	BEARING	2
51	107-4028	SEAL-GREASE	2
	115-8275	ORDER 127-2094	
52	127-2094	REEL - 8 BLADE RR (7" DIA - CUTTING UNITS 03710/03181)	1
	115-8282	ORDER 127-2104	
52	127-2104	REEL - 5 BLADE SERVICE ONLY (7" DIA - CUTTING UNITS 03182/03712)	1
	115-8286	ORDER 127-2105	
52	127-2105	REEL - 8 BLADE RR (7" DIA - CUTTING UNITS 03182/03712)	1
	133-8271	EDGESERIES REEL - 11 BLADE (7" DIA - CUTTING UNTIS 03183/03711)	1
	133-8273	8 BLADE (7" DIA - CUTTING UNITS 03182/03712)	1
	115-8278	ORDER 127-2095	
52	127-2095	REEL - 11 BLADE RR (7" DIA - CUTTING UNITS 03183/03711)	1
53	107-3276	INSERT-THREADED, LH	1
54	92-2601	RING-RETAINING	2

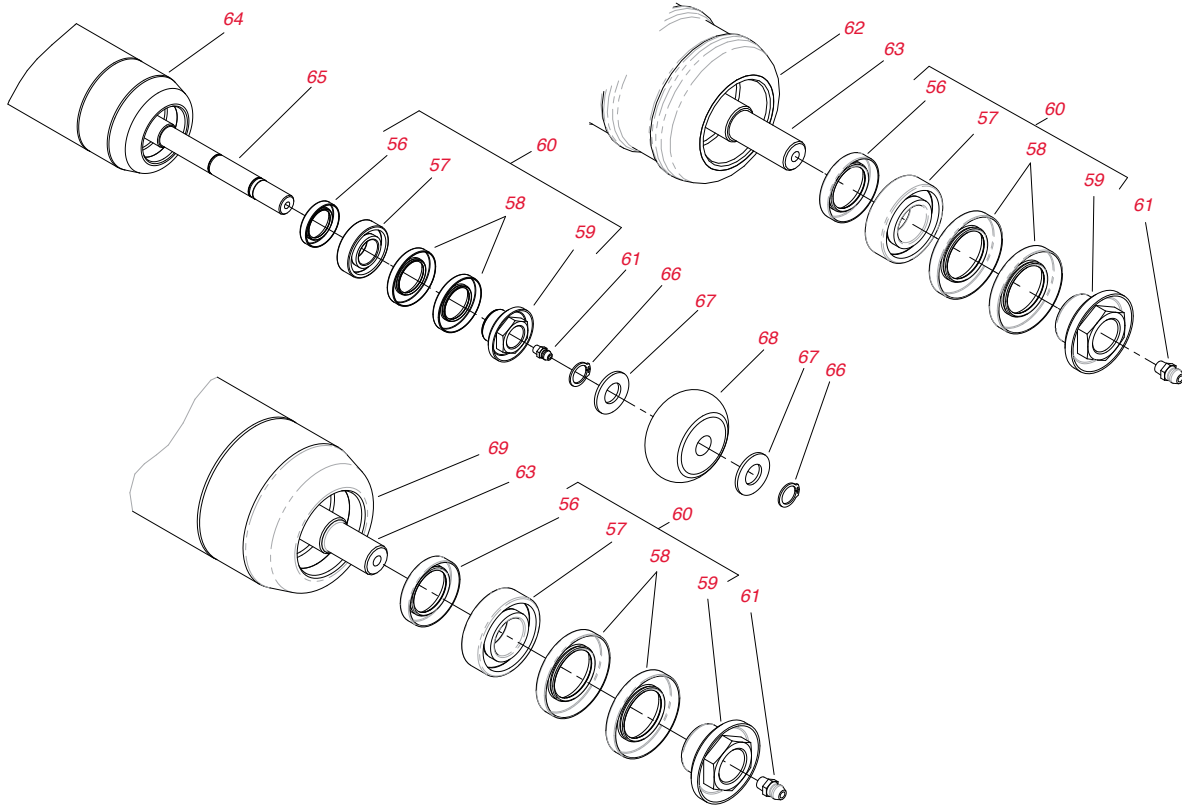
REELMASTER

REELMASTER® 7000D

Cutting Unit Parts - continued

Ref. No.	Part No.	Description	Qty.
55	107-3275	INSERT-THREADED, RH	1
56	114-3717	SEAL-OIL	2
57	112-5290	BEARING - STAINLESS STEEL	2
58	112-7494	SEAL	4
59	114-5411	NUT-LOCK, BEARING	2
60	114-5430	ROLLER REBUILD KIT	1
61	302-5	FITTING-GREASE	2
62	119-0641	ROLLER-SHOULDER, PLASTIC	1
63	117-0957	SHAFT-ROLLER, WIEHLE	1
63	117-0987	SHAFT-ROLLER, FRONT	1
63	112-8918	SHAFT-LONG, REAR ROLLER	1
63	117-0957	SHAFT-ROLLER, WEIHLE	1
64	115-8292-03	3" DIA ROLLER TUBE ASM (LONG)	1
65	119-4289	SHAFT-REAR ROLLER 32" (SHORT)	1





Cutting Unit Parts - continued

Ref. No.	Part No.	Description	Qty.
66	32151-62	RING-RETAINING	4
67	119-1868	WASHER	4
68	119-4276	ROLLER-TIPPER	2
69	117-0959	ROLLER-WIEHLE, PLASTIC 27"	1
69	117-0989	ROLLER-WIEHLE, PLASTIC 32"	1
69	112-8962-03	TUBE-LONG 32"	1
69	112-8916-03	LONG ROLLER TUBE ASM 27"	1
---	110-9600**	DPA High HOC Kit	A/R
*	29-9100	BRUSH AND HANDLE ASM	1
*	112-8961	REAR ROLLER ASM (2010 & UP)	1
*	114-9384	FULL FRONT ROLLER ASM	1
*	115-0813	BRUSH - ROLLER	1
*	115-0828	BELT - BRUSH, 7" FOR UNIVERSAL GROOMER	1
*	115-0838	BRUSH - ROLLER, HIGH HOC	1
*	115-0839	SPRING - IDLER	1
*	117-0990	PLASTIC WIEHLE ROLLER ASM	1
*	125-1906	PIN - CYLINDER	3
*	130-1673	CABLE - THROTTLE	1
*	130-4105	BLADE - GROOMER	47
*	32121-110	PIN - ROLL, SLOTTED	3
*	3234-42	SCREW - HHF	2
*	3296-45	NUT - LOCK, NI	2
*	119-0640	PLASTIC SHOULDER ROLLER ASM	1
*	117-3759	FULL FRONT ROLLER ASM	1
*	117-3756	FULL REAR ROLLER ASM	1
*	119-0625	SHAFT ASM	1
*	115-0811	27" ROLLER BRUSH ASM	1
*	119-0631	ROLLER - SHOULDER, PLASTIC	1

REELMASTER

REELMASTER® 3550D / 3555 / 3575

Traction Unit Parts

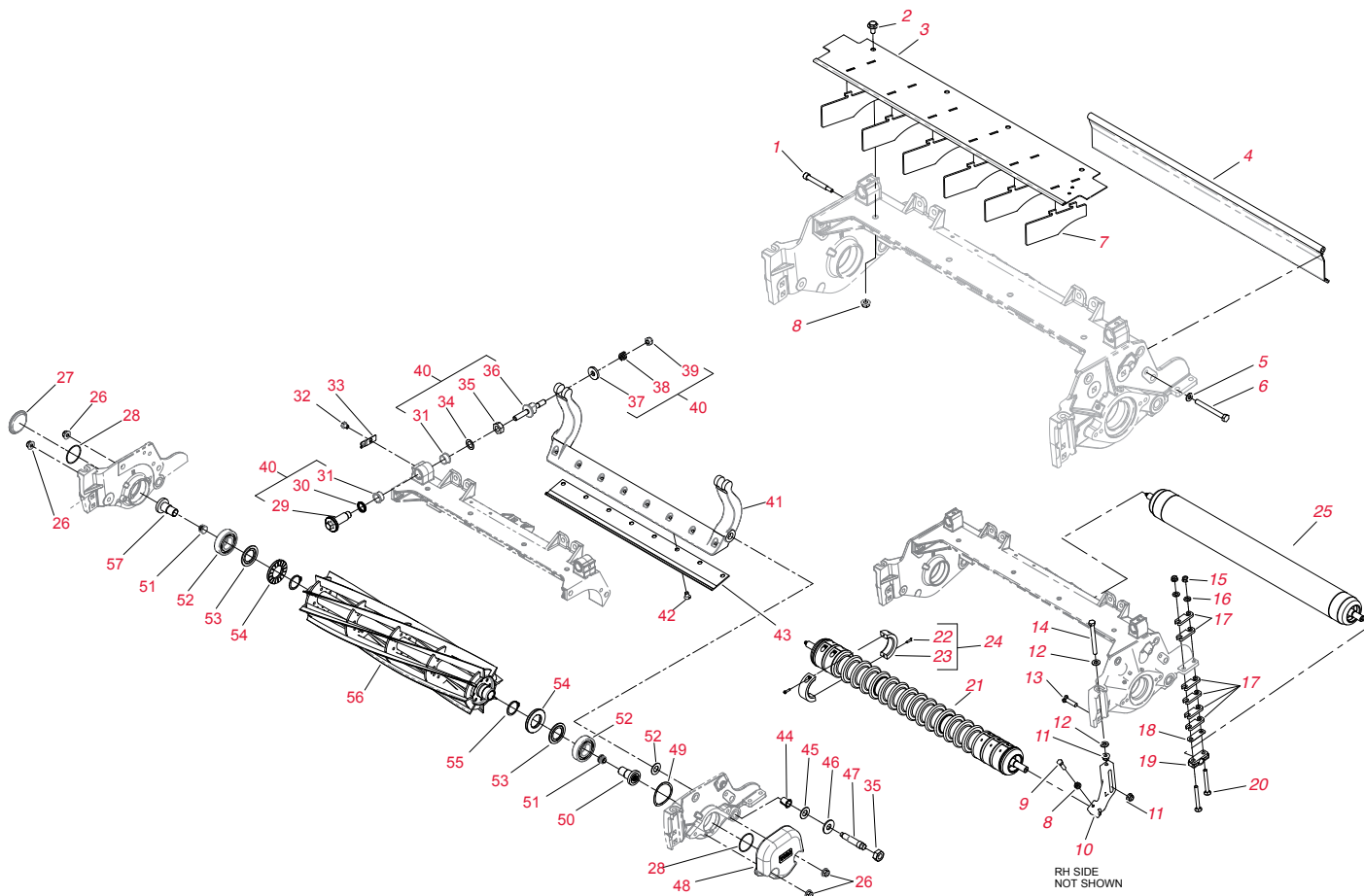
	Part No.	Description	Qty.
FILTERS			
	30090**	400 Hour MVP Filter Kit	A/R
	108-3811	FILTER (AIR)	1
	108-3841	FILTER (ENGINE OIL)	1
	110-9049	FILTER (FUEL)	1
	98-7612	FILTER (FUEL)	1
	86-3010	FILTER (HYDRAULIC)	1
	92-5821	HEAD-FILTER	1
BELTS			
	104-3494	V-BELT ALTERNATOR AND PULLEY SYSTEM	1
	99-3619	3V-BELT PISTON PUMP AND GEAR ASM	1
BEARINGS		See Quick Reference Guide for detailed information on bearing replacements for this model. Page 30-38	
	256-243	BEARING-FLANGE, TRACTION CONTROL ASM	1
	75-5470	SPACER-BEARING, TRACTION CONTROL ASM	1
	251-259	BALL BEARING, TRACTION CONTROL ASM & NEUTRAL ARM ASM	1
	76-0850	BEARING-THRUST, HYDRAULIC MOTOR ASM	1
	100-4817	SPACER-BEARING, NEUTRAL ARM ASM	1
	104-4046	BEARING-CUP, HYDRAULIC PUMP ASM	1
	98-4639	BEARING-CONE, HYDRAULIC PUMP ASM	1
	94-6368	BEARING, HYDRAULIC PUMP ASM	1
	94-6363	BEARING, HYDRAULIC PUMP ASM	1
	252-66	BEARING-THRUST, HYDRAULIC PUMP ASM	1
TIRES			
	120-2114	TIRE (24 X 12 - 12) SMOOTH	2
	121-7924	TIRE (24 X 12 - 12) TURF TREAD	2
SEAT			
	131-6691	SEAT COVER, LARGE	1
	137-1312	MESH SEAT COVER, LARGE	1
STARTER & ALTERNATOR			
	98-9705	STARTER	1
	131-6557	ALTERNATOR	1

Traction Unit Parts

Part No.	Description	Qty.
<i>OTHER</i>		
70-9870	PLATE - BACKING	1
100-4815	CABLE - CONTROL, TRACTION	1
99-3623-03	ARM - IDLER	1
104-4246	FAN - ENGINE	1
104-4853-03	SCREEN - HOOD	1
105-1212	HOSE - HYD (RM 3550 - 2013-2016)	1
107-7834	PULLEY - IDLER	1
110-8795	CABLE - THROTTLE	1
114-2726	LEVER - BRAKE (RM 3550)	2
115-0839	SPRING - IDLER (RM 3550)	1
115-3488	SPRING - TORSION	1
117-0148	PIN - CYLINDER (RM 3575)	3
119-6968	DIPSTICK - OIL	1
119-6989	HYD CYLINDER ASM (RM 3555)	1
130-4105	BLADE - GROOMER (FOR UNIVERSAL GROOMER)	32
321-10	SCREW - HH	1
32144-1	SCREW - TAPTITE	2
32144-4	SCREW - HWH	4
327-7	SCREW - HH (RM 3575)	3
340-139	FITTING - ELBOW 90	1
353-781	FITTING - ELBOW	1
74-1810	WASHER	1
75-0560	STEERING WHEEL ASM	1
95-8796-03	SUPPORT - BATTERY	1
95-8854	CABLE - BATTERY, NEGATIVE (RM 3550)	1
95-8933-03	PLATE - MOUNT, PUMP	1
95-8971	GAUGE - FUEL	1
99-3620	PULLEY - 3V, PUMP	1
99-3624	SHAFT - PIVOT, IDLER	1
104-4834	MUFFLER (3550/3555/3575)	1
95-8620	TANK - FUEL (3550/3555/3575)	1
99-3626	PULLEY	1
100-4838-03	MOUNT - ENGINE	1
112-9193	HOSE - HYD (RM 3550 2013 & UP)	1
119-6987	HYD CYLINDER ASM (RM 3575)	2
106-7974	HOSE - HYD (RM 3550)	1
108-6507	HOSE - HYD (RM 3555)	1
108-6506	HOSE - HYD (RM 3555/3575)	1
32180-030	CLIP - TIE	1
112-9919	STOP - CABLE, THROTTLE	1
108-6715	GAUGE BAR ASM	1

REELMASTER

REELMASTER® 3550D / 3555 / 3575



Cutting Unit Parts

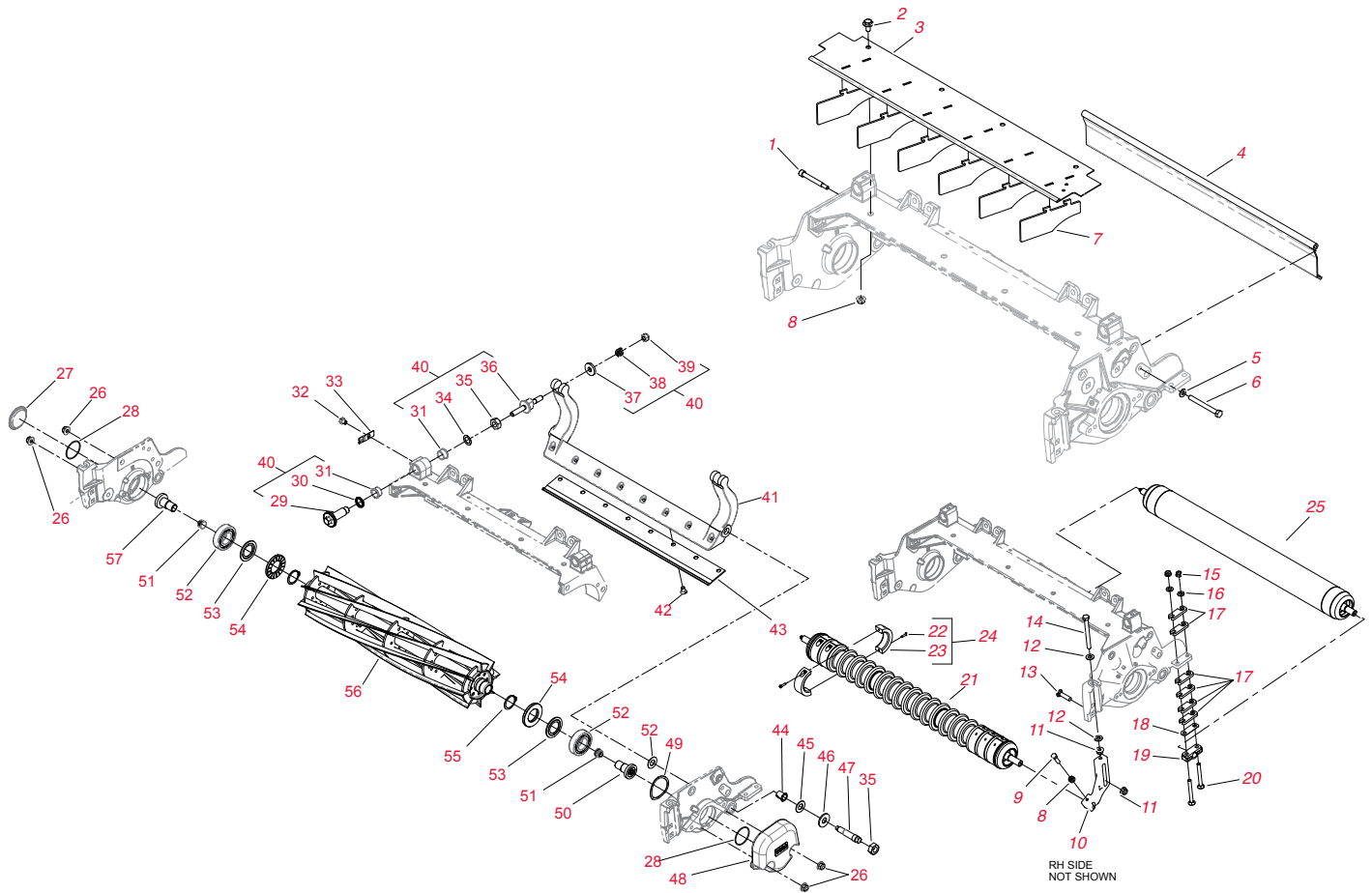
Ref. No.	Part No.	Description	Qty.
1	107-7773	SCREW-HSH	1
2	3234-7	SCREW-HHF	3
3	112-1738	FRONT GRASS SHIELD ASM	1
5	3256-74	WASHER-FLAT	1
6	322-14	SCREW-HH	1
7	110-1706	DEFLECTOR	4
8	32128-20	NUT-HF	3
9	322-16	SCREW-HH	2
10	125-2796	BRACKET-FRONT HOC	2
11	104-8301	NUT-FLANGE, NI	4
12	48-9220	WASHER	4
13	3231-4	SCREW-CARR	2
14	107-4026	SCREW-HH	2
15	104-8300	NUT-FLANGE, NI	4
16	94-6936	WASHER-HARDENED	4
17	119-0626	SHIM-ROLLER	4
18	107-4001	SHIM-ROLLER (0.01)	2
19	106-3924	BRACKER-ROLLER, REAR	2
20	3230-7	BOLT - CARR	4
21	112-1704	PLASTIC WIEHLE ROLLER ASM 18"	1
21	112-1732	FULL FRONT ROLLER ASM 18"	1
21	112-1733	PLASTIC SHOULDER ROLLER ASM 18"	1
21	114-5400	PLASTIC WIEHLE ROLLER ASM 22"	1
21	114-5412	FULL FRONT ROLLER ASM 22"	1

Cutting Unit Parts - continued

Ref. No.	Part No.	Description	Qty.
21	114-5421	PLASTIC SHOULDER ROLLER ASM 22"	1
22	104-1835	SCREW	2
23	100-4959	COLLAR	2
24	104-8215	COLLAR KIT	6
25	112-1708	SHORT REAR ROLLER ASM 18"	1
25	112-1728	LONG REAR ROLLER ASM 18"	1
25	114-5404	LONG REAR ROLLER ASM 22" (2.5" DIA)	1
25	114-5406	SHORT REAR ROLLER ASM 22" (2.5" DIA)	1
26	104-8301	NUT-FLANGE, NI	4
27	2410-30	CAP-PLASTIC	1
28	237-68	O-RING	2
29	120-5118	SHAFT-ADJUSTER	2
30	120-5116	WASHER-WAVE	2
31	106-5344	BUSHING-FLANGED, KEYED	4
32	119-4067	CAPSCREW-HH	2
33	99-2097	DETENT	2
34	108-0015	WASHER-FLAT	2
35	3296-33	NUT-LOCK, NI	2
36	115-7039	SCREW-ADJUSTER, BEDBAR	2
37	119-4155	WASHER-HARDENED	2
38	120-5120	SPRING-COMPRESSION	2
39	119-4039	NUT-HEX, NI	2
40	120-7230**	HD DPA MVP Kit	A/R
41	112-1718-01	BEDBAR(CU MODEL 03912 & 03911)	1
42	119-4151	SCREW-SPECIAL	8
43	121-3165	EDGEMAX BEDKNIFE - 18" FAIRWAY CUT	1
43	121-3166	STANDARD BEDKNIFE - 18" FAIRWAY CUT	1
43	121-3167	STANDARD BEDKNIFE - 18" LOW CUT	1
43	130-4745	PREMIUM BEDKNIFE - 18" LOW CUT	1
43	108-9095	ORDER 137-0833	1
*	137-0833	BEDKNIFE - 22" FAIRWAY CUT - EDGEMAX	1
43	108-9096	STANDARD BEDKNIFE - 22" FAIRWAY CUT	1
43	110-4084	STANDARD BEDKNIFE - 22" LOW CUT	1
43	127-7132	ORDER 137-0832	1
*	137-0832	BEDKNIFE - 22" FAIRWAY LOW CUT EDGEMAX	1
*	119-4280	BEDKNIFE - EDGEMAX EXTENDED LOW HOC	1
*	137-0830	EDGEMAX BEDKNIFE - 18" LOW CUT	1
*	137-0831	EDGEMAX BEDKNIFE - 18" FAIRWAY CUT	1
44	56-9520	BUSHING-FLANGED	2
45	61-1950	WASHER-PLASTIC	4
46	3256-6	WASHER-FLAT	2
47	106-9623	BOLT-BEDBAR (MODEL 03913)	2
47	120-9941	BOLT-BEDBAR (MODEL 03911 AND 03912)	2
48	125-2779-01	WEIGHT-END, 5"	1
49	115-5258	SPRING-WIRE, FLAT	1
50	125-2772	LH THREADED INSERT ASM	1
51	125-5609	PLUG-PLASTIC	1
52	115-3296	BEARING-SEALED	2
53	115-3299	SEAL-FLOCKED	2
	121-6953	ORDER 127-4284	
54	127-4284	WASHER-SPECIAL	2
55	92-2601	RING-RETAINING	2
	121-6982	ORDER 131-6805	
56	131-6805	EDGESERIES REEL - 8 BLADE RR (7" DIA - CUTTING UNIT 03638ES)	1
	119-9154	ORDER 131-3202	
56	131-3202	REEL - 11 BLADE RR (5" DIA - CUTTING UNITS 03912/03481)	1
	119-9150	ORDER 131-3201	
56	131-3201	REEL - 8 BLADE RR (5" DIA - CUTTING UNITS 03911/03480)	1
56	133-0109	EDGESERIES REEL - 8 BLADE RR (5" DIA - CUTTING UNITS 03911/03480)	1
56	133-0112	ORDER 137-8407	1
*	137-8407	EDGESERIES REELS+ - 11 BLADE 5" FAIRWAY FSR	1

REELMASTER

REELMASTER® 3550D / 3555 / 3575



Cutting Unit Parts - continued

Ref. No.	Part No.	Description	Qty.
56	132-7109	ORDER 137-8426	1
*	137-8426	EDGESERIES REELS+ - BLADE 5" FAIRWAY RR	1
56	132-7112	EDGESERIES REEL - 11 BLADE FSR (5" DIA - CUTTING UNITS 03483/03635/03488ES/03623ES)	1
57	125-2773	RH THREADED INSERT ASM	1
58	114-3717	SEAL-OIL	2
59	112-5290	BEARING - STAINLESS STEEL	2
60	112-7494	SEAL	4
61	114-5411	NUT-LOCK, BEARING	2
62	114-5430	ROLLER REBUILD KIT	1
63	302-5	FITTING-GREASE	2
64	112-1734	ROLLER - SHOULDER , PLASTIC (MODEL 03911 AND 03912)	1
64	114-5422	ROLLER - SHOULDER, PLASTIC (MODEL 03913)	1
65	112-1707	SHAFT - ROLLER, WIEHLE	1
65	112-1711	SHAFT - REAR ROLLER, SHORT (MODEL 03911 AND 03912)	1
65	112-1708	REAR-SHORT ROLLER ASM (MODEL 03911 AND 03912)	1
65	114-5404	LONG ROLLER ASM (MODEL 03913)	1
65	114-5406	SHORT ROLLER ASM (MODEL 03913)	1
65	114-5412	FULL FRONT ROLLER ASM (MODEL 03913)	1
65	114-5403	SHAFT - ROLLER, FRONT	1
65	112-1731	SHAFT - LONG, REAR ROLLER (MODEL 03911 AND 03912)	1
65	114-5407	SHAFT - LONG, REAR ROLLER (MODEL 03913)	1
65	114-5410	SHAFT - SHORT, REAR ROLLER	1
66	115-8294-03	2.5" DIA, ROLLER TUBE ASM (LONG)	1

Cutting Unit Parts - continued

Ref. No.	Part No.	Description	Qty.
66	115-8293-03	2.5" DIA, ROLLER TUBE ASM (SHORT)	1
66	115-8297-03	3" DIA, FULL ROLLER TUBE ASM (MODEL 03913)	1
66	112-1740-03	ORDER 115-8296-03	1
66	115-8296-03	3" DIA, FULL FRONT ROLLER TUBE ASM	1
67	112-1705	ROLLER - WIEHLE, PLASTIC 18"	1
67	114-5401	ROLLER - WIEHLE, PLASTIC 22"	1
*	29-9100	BRUSH AND HANDLE ASM	1
*	340-6	FITTING - SRAIGHT	1
*	121-3182-03	WIEHLE ROLLER SCRAPER 18"	1
	133-0150**	RM 5" Universal Groomer Kit (Cutting Unit 03763)	1
	133-0151**	RM 7" Universal Groomer Kit (Cutting Unit 03768)	1
	133-0152**	RM3550 18" RRB Kit for Universal Groomer (Cutting Unit 03657)	1
	133-0153**	RM3555 5" x 22" RRB Kit for Universal Groomer (Cutting Unit 03658)	1
	133-0154**	RM3575 7" x 22" RRB Kit for Universal Groomer (Cutting Unit 03659)	1
	133-0155**	RM3550 18" RRB Kit without Universal Groomer (Cutting Unit 03916)	1
	133-0157**	5" x 22" RRB Kit without Universal Groomer (Cutting Unit 03406)	1
	133-0158**	7" x 22" RRB Kit without Universal Groomer (Cutting Unit 03408)	1



GANGMOWERS

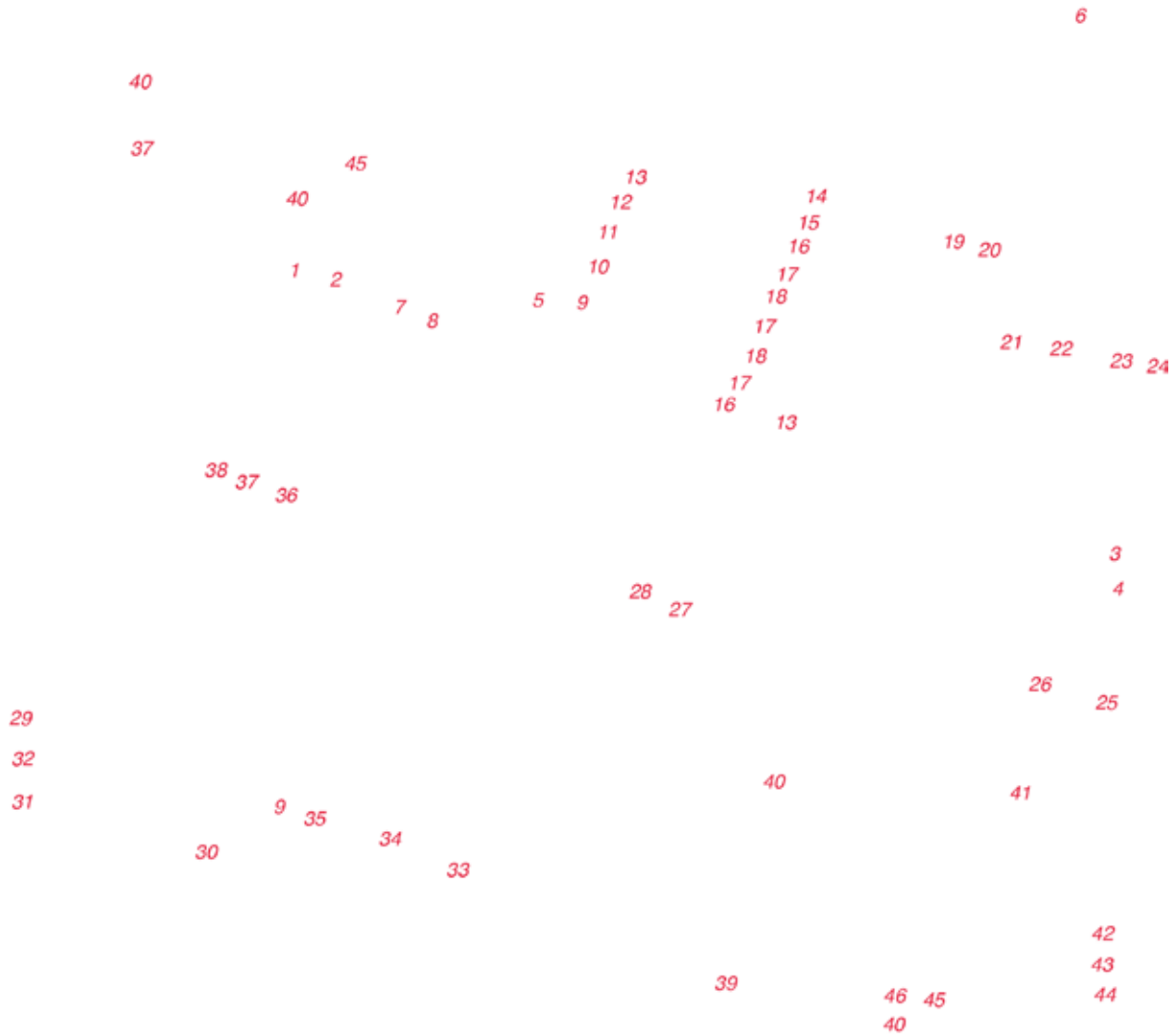
GANGMOWERS
TRANSPORT FRAME



Transport Frame

Ref. No.	Part No.	Description	Qty.
1	231-72	ORDER 56-7960	2
1	56-7960	TIRE (11 X 15) 6 PLY	2
2	232-27	ORDER 5108	2
2	5108	VALVE STEM	2
3	254-62	ORDER 115-9471	2
4	115-9471	CUP - BEARING (OUTER)	2
5	22-8720	SEAL KIT HYDRAULIC CYLINDER	1
6	3-8448	WASHER	1
7	3-0348	ORDER 125-5196	2
7	125-5196	BUSHING	2
8	302-5	ZERK	1
9	1-6559	ORDER 6-1030	1
9	6-1030	HOUSING ASSEMBLY	1
10	32146-13	ORDER 32153-5	1
10	32153-5	NUT	1
11	28-8720-01	BAIL - 15.5"	4
12	3-2198	HOOK	1
13	5-1706	SPRING	1
14	3296-50	NUT - LOCK	14
15	3-9280-01	DRAWBAR	1
16	324-10	SCREW - CAP HEX HD	14
17	5-1091	SPACER	1
18	3217-9	NUT	2
19	3254-4	WASHER - LOCK	14
20	325-17	SCREW - CAP HEX HD	7
21	26-8250-01	LIFT ARM PIN	2
21	37-2760-01	LIFT ARM PIN	2
22	3-0144	SHAFT - LIFT CYLINDER	3
23	26-8310-01	BAIL - 6"	3
24	84-2190	SEAL KIT - CONTROL VALVE SECTION (1984 & UP)	2
25	353-515	SEAL KIT - CONTROL VALVE SPOOL (1975-84)	1
26	353-743	SEAL KIT - CONTROL VALVE CHECK PLUG (1975-84)	1

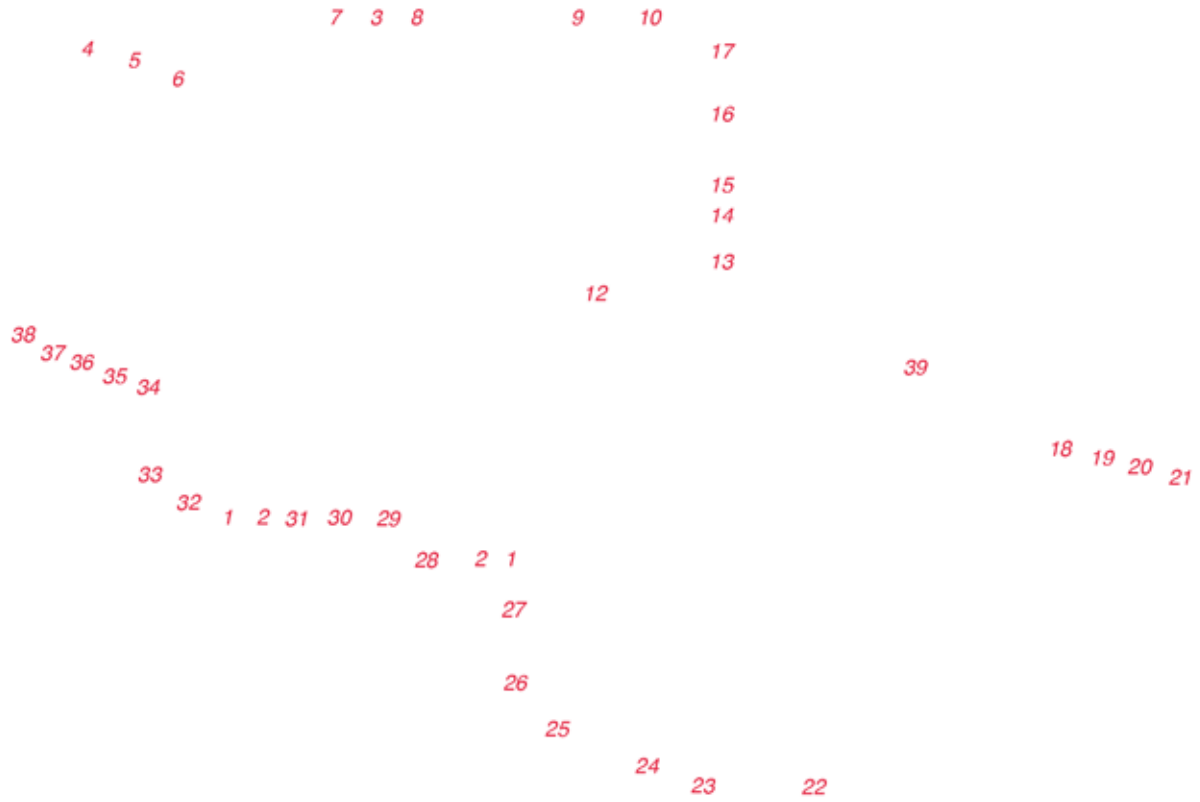
GANGMOWERS REELMASTER®



Reel & Bedbar Parts

Ref. No.	Part No.	Description	Qty.
1	254-94	BEARING CONE	2
2	254-72	BEARING CUP	2
3	47-6680	BEDKNIFE - LOW-CUT	1
3	49-7660	BEDKNIFE	1
4	57-4910	ORDER 119-4151	11
	119-4151	BEDKNIFE SCREW	11
	11-5119	ORDER 130-0081	1
5	130-0081	REEL - 11 BLADE	
5	130-0075	REEL - 5 BLADE	6
5	11-6879	ORDER 130-0071	6
5	130-0071	REEL - 7 BLADE	6
6	13-3629**	Cutting Unit Overhaul MVP Kit	A/R
7	47-4250	WEAR SLEEVE	2
8	47-4260	GRASS SLINGER	2
9	302-5	GREASE FITTING	2
10	47-4410	RETAINER - BEARING ARM	1
11	322-1	SCREW - CAP	2
12	3290-244	WASHER - LOCK	2
13	47-4420	SPACER - SLEEVE	2
14	47-4300-01	HANDLE	1
15	47-4400	ARM - SPRING	1
16	253-84	GREASE SEAL	2
17	257-5	WASHER	4
18	257-6	THRUST BEARING	2
19	57-5190	SCREW - SET	2
20	3218-18	NUT - JAM	2
21	47-4080-01	BEDBAR	1
22	3296-19	NUT - HEX	1
23	32148-5	THREADED INSERT	4
24	47-4440	WASHER	2
25	3296-57	LOCKNUT	1
26	47-4490	PINION REEL LH	1
27	5-4373	SPRING	1
28	3296-62	LOCKNUT	1
29	47-4530	RETAINER	2
30	37-3490-01	BRACKET - DRAWBAR	2
31	323-6	CAP SCREW	4
32	3253-21	LOCK WASHER	4
33	68-7530	RUBBER BUSHING	2
34	11-5069	TUBE ASSEMBLY (INCL #33 & 35)	1
35	47-4510	ADJUSTMENT SHAFT	1
36	3257-3	KEY	1
37	5-1463	PINION	1
38	3-8386	NUT	1
39	323-9	SCREW - CAP	2
40	3296-39	NUT - LOCK	4
41	3296-8	NUT - LOCK	8
43	3256-22	WASHER - FLAT	16
44	3290-133	SCREW - MACHINE	8
45	323-10	SCREW - CAP	2
46	51-0840	TUBE - PIVOT	2
*	302-40	FITTING - GREASE (JAKE ADAPTER KIT)	7

GANGMOWERS
REELMASTER®

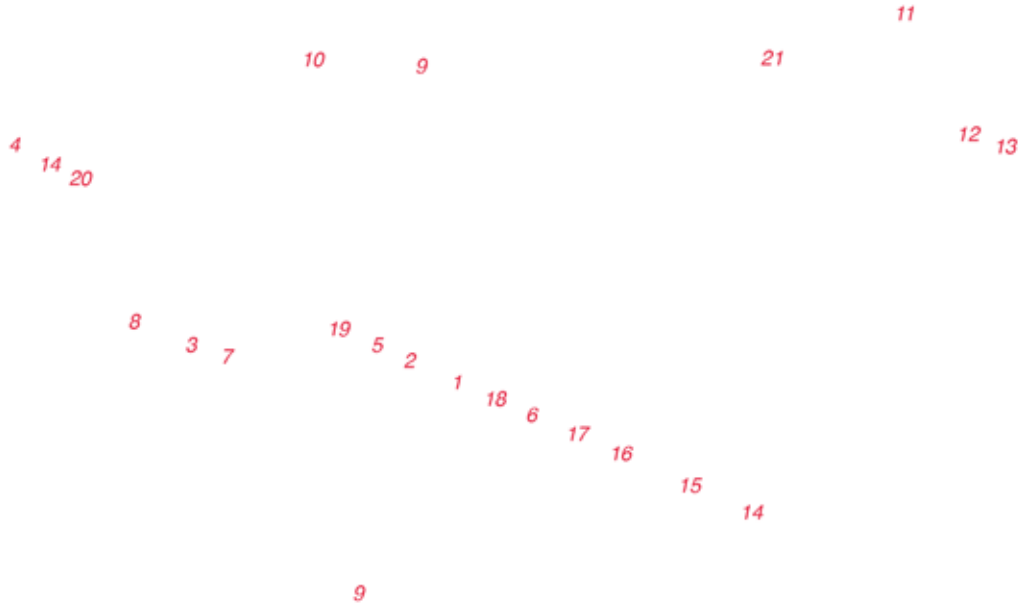


Gear Case Parts

Ref. No.	Part No.	Description	Qty.
1	254-78	BEARING CONE	4
2	254-79	BEARING CUP	4
3	252-6	BEARING	2
*	13-3629**	Cutting Unit Overhaul MVP Kit	A/R
4	11-8960	FASTENER	6
5	5-1460	PINION COVER	2
6	106-5408	GASKET	1
7	3-9117	SHAFT	1
7	3-9116	SHAFT	1
8	12-1190	IDLER PINION	2
9	3-4170	RATCHET GEAR RING RH (SHOWN)	1
9	3-4160	RATCHET GEAR RING LH	1
10	3-7445	STUD	6
12	17-2520	STUD - DRIVE	6
13	302-14	RELIEF FITTING	2
14	3-3892	FINGER BEARING.	2
15	237-21	O-RING	2
16	3283-1	LOCK PIN	2
17	5-1464-03	HANDLE	2
18	68-7530	RUBBER BUSHING	2
19	47-4430	BUSHING	2
20	47-5640	RUBBER SPACER	2
21	47-4460	BOLT - ECCENTRIC	1
21	47-4450	BOLT - SHOULDER	1
22	11-9419	ORDER 11-5049	1
22	11-5049	COVER - GEAR CASE LH (INCL #10, 12, 13, 18 & 23)	1
23	3-3904	FINGER - RH	1
23	3-3891	FINGER - LH	1
24	281-3	OIL PLUG	2
25	3219-10	NUT	2
26	3256-15	WASHER	2
27	11-9409	ORDER 11-5059	1
27	11-5059	COVER - GEAR CASE RH (INCL #10, 12,13, 18 & 23)	1
28	5-1457	GEAR	2
29	95-1828	RING GEAR HUB	2
30	253-101	ORDER 84-8200	2
30	84-8200	OIL SEAL	2
31	3262-3	RIVET	12
32	3-5002	ORDER 106-5409	1
32	106-5409	GASKET	1
33	47-4060-01	COVER	2
34	49-4100	AXLE STUB	2
35	3254-17	WASHER - LOCK	20
36	49-2040	SCREW	20
37	3296-15	LOCK NUT	2
38	237-38	O-RING	2
39	68-9970	SEAL - GUARD	2

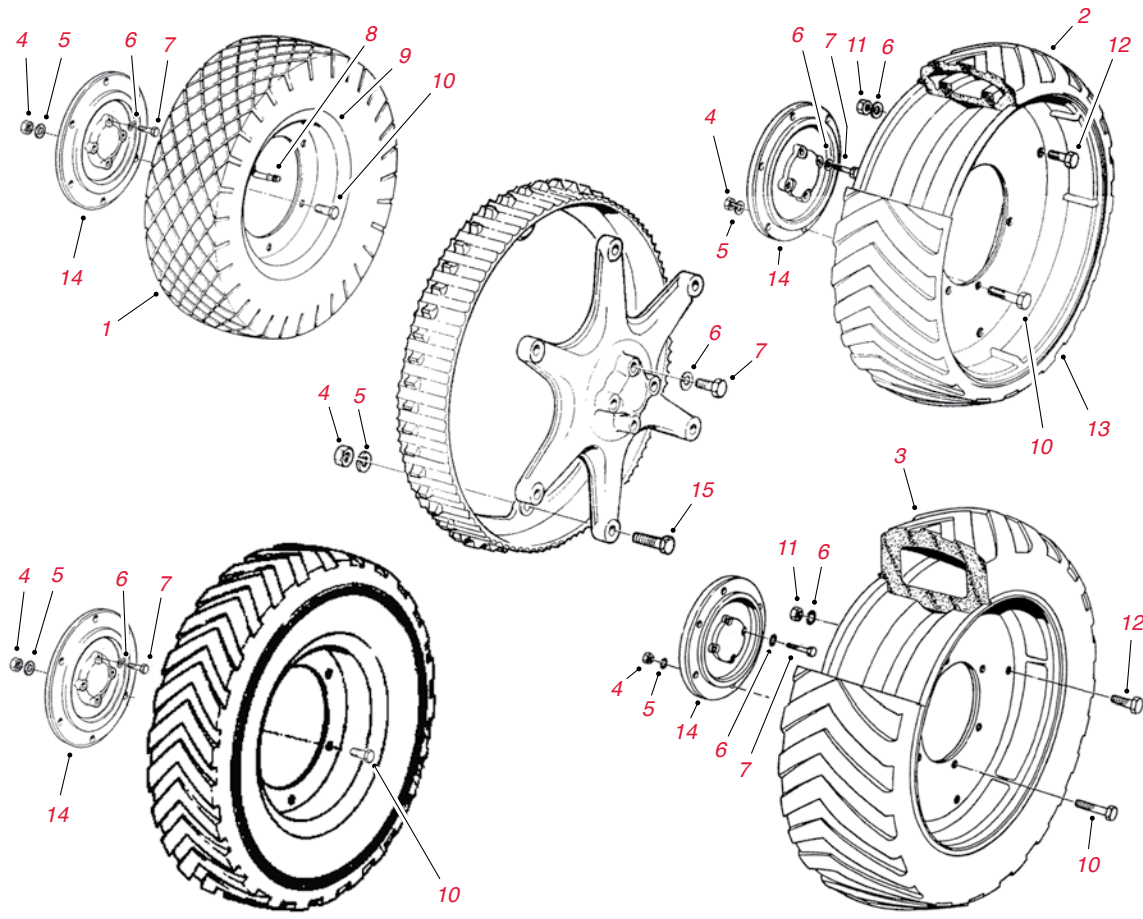
GANGMOWERS

ROLLER PARTS



Roller Parts

Ref. No.	Part No.	Description	Qty.
1	254-78	BEARING CONE	2
2	254-79	BEARING CUP	2
3	251-190	ORDER 251-293	2
3	251-293	BEARING	2
4	3-4010	BUSHING	2
5	253-122	SEAL	2
6	253-117	SEAL	2
7	253-70	SEAL	4
8	3-0312	GASKET	4
9	302-5	GREASE FITTING	2
10	5-3939	ORDER 8-3990	1
10	8-3990	ROLLER ASSEMBLY	1
11	11-5079	ROLLER BRACKET LH (REELMASTER SHOWN) (INCL #4)	1
11	11-5089	ROLLER BRACKET RH (REELMASTER) (INCL #4)	1
12	3253-7	LOCK WASHER	2
13	325-7	CAP SCREW	2
14	5-4527	WASHER - THRUST	2
15	3220-7	JAM NUT	4
16	8-3980	ROLLER SHAFT	1
17	47-7510	NYLON WASHER (REELMASTER)	2
18	5-4523	SLEEVE	2
19	4-5189-01	ROLLER END CAP	2
20	3296-15	LOCK NUT	1
21	47-4390	ROLLER NUT - LH	1
*	47-4380	ROLLER NUT - RH	1



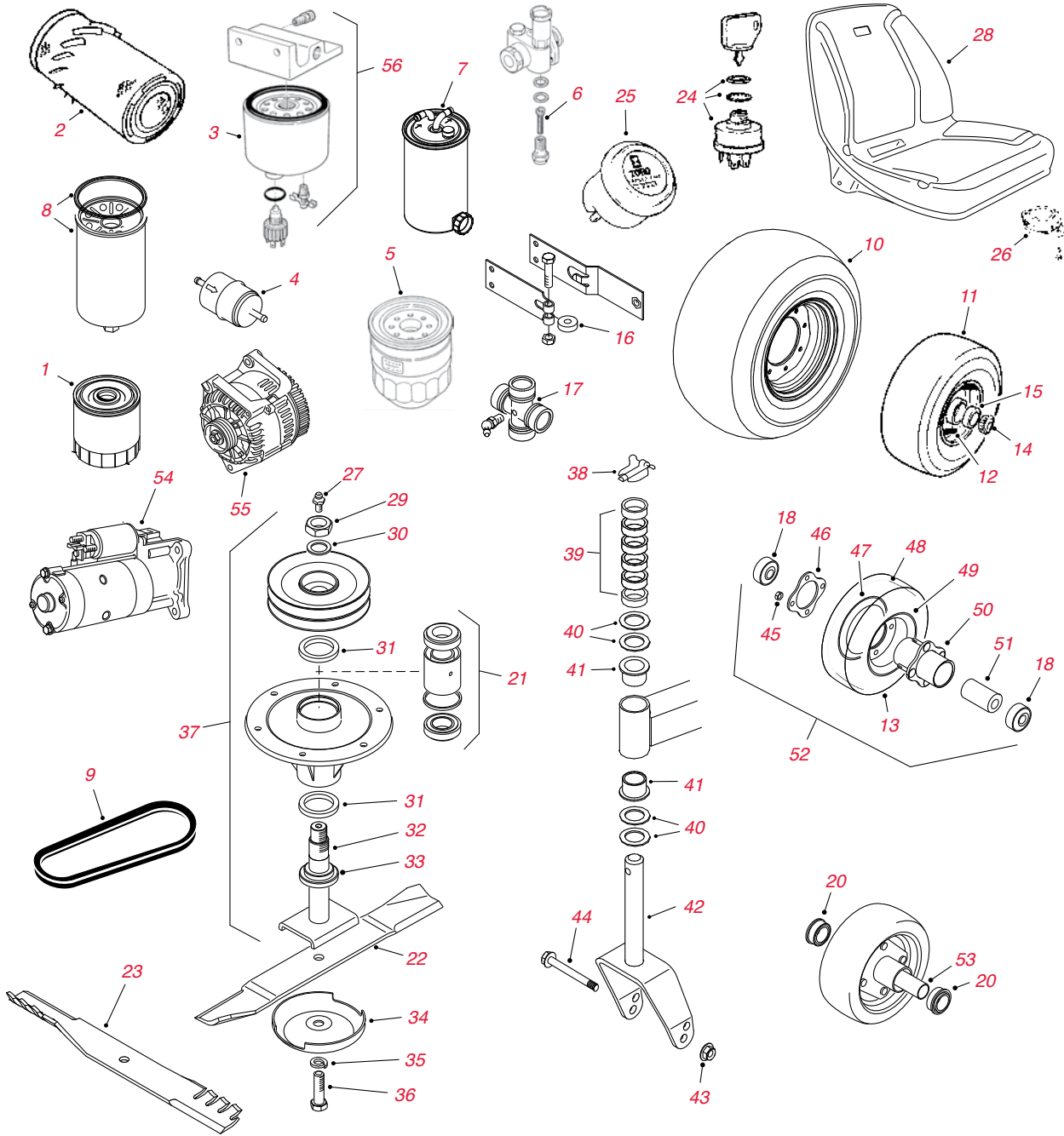
Wheel Parts

Ref. No.	Part No.	Description	Qty.
1	231-84	ORDER 231-3	2
1	231-92	ORDER 231-3	2
1	231-3	TIRE (16 X 4.8 - 8) 2-PLY STUD TREAD	2
2	12-9390	TIRE (16 X 4 - 12) SEMI-PNEUMATIC	2
3	51-2550	TIRE (18 X 4 - 12) SEMI-PNEUMATIC	2
4	3219-3	NUT	12
5	3254-6	LOCK WASHER	12
6	3253-4	LOCK WASHER	12
7	5-1470	CAP SCREW	8
8	232-3	TUBE	2
9	5-3256	DISC	2
9	5-3257	DISC	2
10	3211-4	CAP SCREW	12
11	3217-6	NUT	8
12	322-2	CAP SCREW	8
13	12-9460	WHEEL DISC	4
14	5-1468-01	TIRE HUB	2
15	3211-6	SCREW - CAP	12



GROUNDMASTER®

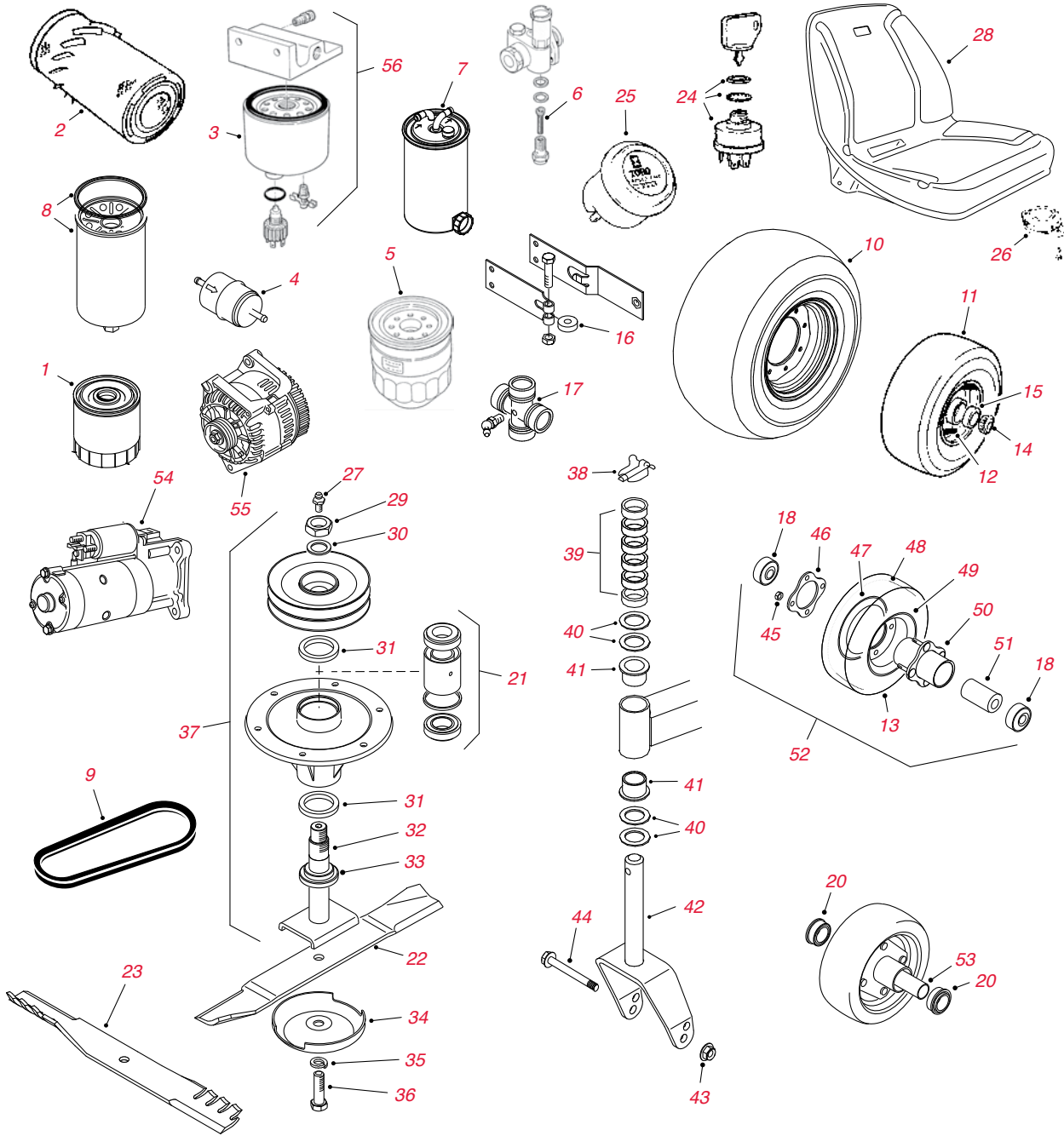
GROUNDMASTER
GROUNDMASTER® 580D



Traction Unit & Cutting Unit Parts

Ref. No.	Part No.	Description	Qty.
1	49-2500	ORDER 108-3835	1
1	108-3835	FILTER - ENGINE OIL (1989-97)	1
1	99-2143	ORDER 110-6166	1
1	110-6166	FILTER - ENGINE OIL (1998 & UP)	1
2	69-1900	ORDER 108-3809	1
2	108-3809	ELEMENT - AIR FILTER (1989-1997)	1
2	108-3815	ELEMENT - AIR FILTER (2005 & UP)	1
3	69-1770	ORDER 117-9432	1
3	117-9432	ELEMENT - FUEL FILTER (1989-03)	1
3	107-4395	ORDER 60-5470	1
3	60-5470	ELEMENT - FUEL FILTER (2004-05)	1
4	108-3831	IN-LINE FUEL FILTER (2006 & UP)	1
5	70-5730	ORDER 108-3818	1
5	108-3818	ELEMENT (INJECTION PUMP FUEL FILTER)	1
6	70-4790	FILTER - FUEL FEED PUMP	1
7	112-9188	ELEMENT - FUEL FILTER (2008 & UP)	1
*	112-9130	BIO-DIESEL FUEL FILTER KIT (INCL #7)	1
8	69-1720	HYDRAULIC FILTER	1
*	30024**	400 Hour Filter MVP Kit (GM 580D - 1989-03)	A/R
*	30063**	400 Hour Filter MVP Kit (GM 580D - 2004 & Up)	A/R
9	69-6220	ORDER 93-8457	1
9	93-8457	HEX-BELT - SPINDLE DRIVE (CENTER DECK)	1
9	69-6210	ORDER 99-2318	1
9	76-2060	ORDER 99-2318	1
9	99-2318	V-BELT - SPINDLE DRIVE (WING DECK)	1
10	69-9800	TIRE - FRONT (31 X 13.5 - 15) 8-PLY (STANDARD)	2
11	69-9880	TIRE - REAR (23 X 10.5 - 12) 6-PLY	2
12	232-27	ORDER 5108	2
12	5108	VALVE STEM	2
13	93-4243	10" TIRE	1
14	254-106	CONE - BEARING (REAR WHEEL - INNER)	2
14	254-92	CONE - BEARING (REAR WHEEL - OUTER)	2
15	254-107	CUP - BEARING (REAR WHEEL - INNER)	2
15	254-72	CUP - BEARING (REAR WHEEL - OUTER)	2
16	251-307	ORDER 251-259	1
16	251-259	BEARING - BALL (NEUTRAL ARM)	1
17	92-4187	U-JOINT KIT (PUMP DRIVE)	2
18	93-4237	ORDER 120-5378	2
18	120-5378	BEARING (13" WHEEL - 1997 & UP)	2
20	251-321	BEARING (10" & 13" WHEEL - 1989-96)	2
21	71-2530	BEARING & SPACER KIT	1
22	69-6920-03	STANDARD BLADE - 20"	11
23	107-0217-03	ATOMIC BLADE - 20"	11
*	108-1453	Blade Service Pack (11 Blades 107-0217-03)	1
24	27-2360	KEY SWITCH (6 LEAD)	1
25	66-2950	HOUR METER	1
26	92-6282	SWITCH - SEAT	1
27	302-2	FITTING - GREASE	1
28	49-8130	ORDER 104-4620	1
28	92-1180	ORDER 104-4620	1
28	104-4620	SEAT ASSEMBLY	1
29	3296-49	NUT - LOCK	1
30	3-8514	WASHER - THRUST	1
31	253-154	SPINDLE SEAL	2
32	69-6760	ORDER 110-3285	11

GROUNDMASTER
GROUNDMASTER® 580D



Traction Unit & Cutting Unit Parts - continued

Ref. No.	Part No.	Description	Qty.
32	110-3285	SPINDLE	11
33	92-9800	ORDER 69-6950	1
33	69-6950	SPACER - SPINDLE	1
34	67-7561	CUP - ANTI-SCALP	1
35	3253-8	WASHER - LOCK	11
36	51-4060	BOLT - BLADE	11
37	69-8400**	Deck Spindle MVP Kit (1989-01)	A/R
37	106-0005**	Deck Spindle MVP Kit (2002 & Up - Center)	A/R
37	106-0006**	Deck Spindle MVP Kit (2002 & Up - Outer)	A/R
38	3290-384	LYNCH PIN (1993 & OLDER)	2
38	283-71	LYNCH PIN (1994 & UP)	2
39	69-1510	SPACER - CASTER	6
40	69-6860	THRUST WASHER	8
41	69-6470	BUSHING	4
42	75-9650	ORDER 69-6270-01	2
42	69-6270-01	CASTER FORK - WING DECK	2
42	69-6310	ORDER 75-9670-01	2
42	75-9670-01	CASTER FORK - CENTER DECK	2
43	3296-53	NUT - LOCK	1
44	327-24	CAP SCREW (FRONT DECK REAR CASTER)	1
44	327-25	CAP SCREW (FRONT DECK FRONT CASTER)	1
44	327-17	CAP SCREW (WING DECK CASTER)	1
45	32128-16	NUT - LOCK	4
46	93-4242	PLATE	1
47	95-2741	RIM HALF	1
48	93-4244	10" INNER TUBE	1
49	93-4239	RIM HALF	1
50	93-5980	HUB	1
51	93-4241	SPANNER	1
52	93-4240	10" PNEUMATIC WHEEL ASSEMBLY	1
52	93-5973	10" FOAM FILLED WHEEL ASSEMBLY (OPTIONAL)	1
53	251-332	ORDER 104-2547	1
53	104-2547	SPANNER (10" WHEEL - 1989-96)	1
54	70-5860	ORDER 112-1353	1
54	112-1353	STARTER (1989-1997)	1
54	104-8609	ORDER 112-7022	1
54	112-7022	STARTER (2006 SERIAL 301 UP)	1
55	70-5760	ORDER 112-1357	1
55	112-1357	ORDER 137-5512	1
	137-5512	ALTERNATOR (1989-1997)	1
55	112-1360	ALTERNATOR (1998-2004)	1
55	107-1169	ORDER 112-7024	1
55	112-7024	ALTERNATOR (2006 SERIAL 301 UP)	1
*	69-4320	FITTING-HYD, 90 DEG	1
*	256-76	BUSHING	4
*	256-172	BUSHING	8
*	32121-110	PIN- ROLL, SLOTTED	4
*	69-6920-03	BLADE - 20"	5
*	82-4910	ROLLER	1

GROUNDMASTER

GROUNDMASTER® 3000 / 3000D

Traction Unit Parts

	Part No.	Description	Qty.
FILTERS			
	30010**	400 Hour Filter MVP Kit (GM 3000D)	A/R
	74-7970	ORDER 108-3837	1
	108-3837	FILTER - ENGINE OIL (GM 3000D)	1
	94-1412	ORDER 108-3812	1
	93-9162	ORDER 108-3812	1
	108-3812	PRIMARY FILTER-AIR	1
	94-1413	ORDER 108-3813	1
	108-3813	SAFETY FILTER-AIR	1
	76-5220	ELEMENT - FUEL FILTER (GM 3000D)	1
	94-3951	FILTER - HYDRAULIC OIL	1
TIRES			
	93-5431	TIRE - FRONT (25 X 10.5 - 15) 6-PLY	2
	98-2373	ORDER 117-5196	2
	117-5196	TIRE - FRONT (26.5 X 14 - 12) 2-PLY WIDE ULTRA-TRAC	2
	95-2638	TIRE - FRONT (24 X 13 - 12) 4-PLY	2
	74-5560	TIRE - REAR (20 X 8 - 10) 6-PLY	2
	95-2625	TIRE - REAR (18 X 8.5 - 10) 4-PLY	2
BEARINGS			
	See Quick Reference Guide for detailed information on bearing replacements for this model. Page 30-38		
	254-92	BEARING CONE - 2WD REAR WHEEL	2
	254-72	BEARING CUP - 2WD REAR WHEEL	2
	28-3650	ORDER 251-8	1
	251-8	BEARING - HYDROSTAT	1
	251-259	BEARING - BALL (NEUTRAL ARM)	1
STARTER & ALTERNATORS			
	104-0142	ORDER 112-1366	1
	112-1366	STARTER (3000D)	1
SEAT			
	131-6691	SEAT COVER, LARGE	1
	137-1312	MESH SEAT COVER, LARGE	1

Traction Unit Parts

Part No.	Description	Qty.
FILTERS		
30034**	400 Hour Filter MVP Kit (GM 3280D - 2005-07)	A/R
30051**	400 Hour Filter MVP Kit (GM 3280D - 2008-2015)	A/R
30262**	400 Hour Filter MVP Kit (GM 3280D - 2016 & Up)	A/R
104-5167	ORDER 108-3841	1
108-3841	FILTER - ENGINE OIL (GM 3280D)	1
108-3842	FILTER - ENGINE OIL (GM 3320)	1
108-3810	AIR FILTER ELEMENT	1
98-7612	FILTER - FUEL, PLASTIC (GM 3280D)	1
108-3828	FILTER - FUEL, METAL (GM 3280D)	1
99-9193	ORDER 108-3854	1
95-2926	ORDER 108-3854	1
108-3854	FILTER - FUEL (GM 3320)	1
98-9764	ELEMENT - SEPARATOR (GM 3280D 2005-2007)	1
110-9049	ELEMENT - SEPARATOR (GM 3280D 2008 & UP)	1
112-9140	BIO-DIESEL FUEL FILTER KIT (GM 3280D)	1
112-7836	IN-LINE FUEL FILTER (BIO-DIESEL KIT GM 3280D)	1
110-9015	ELEMENT - SEPARATOR (BIO-DIESEL KIT GM 3280D)	1
23-2300	FILTER - HYDROSTATIC TRANSMISSION	1
BELTS		
104-3494	V-BELT - ALTERNATOR/WATER PUMP DRIVE (GM 3280D)	1
TIRES		
108-6594	ORDER 117-0823	2
117-0823	TIRE - FRONT (23 X 9.5 - 12) 4-PLY (GM 3280D/3320)	2
231-95	TIRE - FRONT (23 X 10.5 - 12) 4-PLY WIDE (GM 3280D/3320)	2
69-9880	TIRE - FRONT (23 X 10.5 - 12) 6-PLY WIDE (GM 3280D/3320)	2
231-43	ORDER 231-105	2
231-83	ORDER 231-105	2
231-105	TIRE - REAR 2WD (16 X 6.5 - 8) 4-PLY RIBBED (3280D/3320)	2
231-114	ORDER 231-122	2
231-122	TIRE - REAR 4WD (18 X 6.5 - 8) 4-PLY (3280D)	2
BEARINGS		
See Quick Reference Guide for detailed information on bearing replacements for this model. Page 30-38		
21-8180	BEARING	2
251-8	BEARING - HYDROSTAT	1
2411-36	BEARING - END, ROD	1
STARTER & ALTERNATORS		
98-9705	STARTER (GM 3280D)	1
99-9207	ORDER 110-2598	1
110-2598	STARTER (GM 3320)	1
131-6557	ALTERNATOR (GM 3280D)	1
99-9209	ALTERNATOR (GM 3320)	1
106-5269	IGNITION SWITCH ASM	1
106-5270	IGNITION KEY SET	1
SEAT		
131-6691	SEAT COVER, LARGE	1
137-1312	MESH SEAT COVER, LARGE	1

GROUNDMASTER

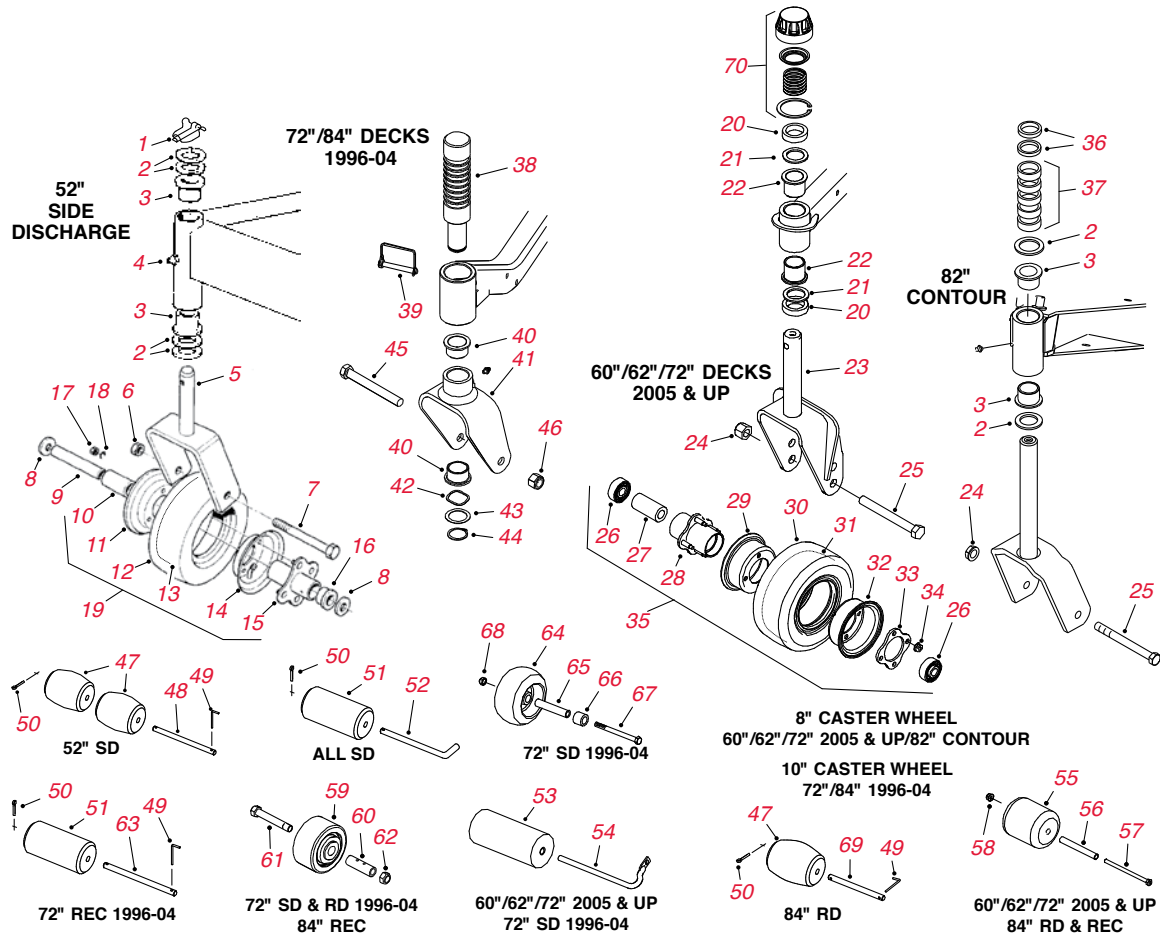
GROUNDMASTER® 3280D TIER 4 MODELS: 30344 / 30345

Traction Unit Parts

	Part No.	Description	Qty.
FILTERS			
	30051**	400 Hour Filter MVP Kit (GM 3280D - 2008-2015)	A/R
	30262**	400 Hour Filter MVP Kit (GM 3280D - 2016 & Up)	A/R
	108-3810	AIR FILTER ELEMENT	1
	114-4057	ELEMENT-SAFETY, 5"	1
	108-3841	FILTER - ENGINE OIL	1
	110-9049	ELEMENT - SEPARATOR (GM 3280D 2008 & UP)	1
	23-2300	FILTER - HYDROSTATIC TRANSMISSION	1
BELTS			
	104-3494	V-BELT - ALTERNATOR/WATER PUMP DRIVE (GM 3280D)	1
	63-6240	V-BELT, SHAFT ASM	1
TIRES			
	117-0823	FRONT (23 X 9.5 - 12) 4-PLY STANDARD	2
	231-105	FRONT (23 X 10.5 - 12) 4-PLY WIDE Ribbed (30344 Model)	2
	231-122	REAR 4WD (18 X 6.5 - 8) 4-PLY (30345 Model)	2
	231-95	TIRE (23 x 10.5 - 12) 4-Ply - Wide Wheel Opt.	2
	69-9880	TIRE (23 x 10.5 - 12) 6-Ply - Wide Wheel Opt.	2
BEARINGS			
	See Quick Reference Guide for detailed information on bearing replacements for this model. Page 30-38		
	21-8180	BEARING ASM	2
	251-259	BEARING - BALL	1
	251-8	BEARING - BALL	1
	254-94	BEARING - CONE, TAPERED	1
	254-72	BEARING - CUP, TAPERED	1
	24-8840	RING-RETAINING, WHEEL BEARING	1
	2411-36	BEARING - END, ROD	1
STARTER & ALTERNATORS			
	98-9705	STARTER (GM 3280D)	1
	131-6557	ALTERNATOR (GM 3280D)	1
	106-5269	IGNITION SWITCH ASM	1
	106-5270	IGNITION KEY SET	1
SEAT			
	131-6691	SEAT COVER, LARGE	1
	137-1312	MESH SEAT COVER, LARGE	1
OTHER			
	136-1010**	GM 3280 MVP Seal Overhaul Rebuild Kit	A/R
	233-70	KNOB-STAR, FUEL TANK & CONTROL PANEL ASM	1
	105-4320	SWITCH - FUEL TANK AND CONTROL PANEL ASM (GM 3280D)	1
	104-4246	FAN - ENGINE	1
	340-139	FITTING - ELBOW 90	2
	353-781	FITTING - ELBOW	2
	2411-36	BEARING - END, ROD	1
	32144-4	SCREW - HWH	4
	3220-5	NUT - JAM	2
	3234-42	SCREW - HHF	2
	325-12	SCREW - HH	2
	325-13	SCREW - HH	2
	3256-28	WASHER - FLAT	1
	98-1471	WHEEL - STEERING	1
	93-9999	SWITCH - PTO	1
	121-3874	CASTOR WRENCH ASM	1

GROUNDMASTER

GROUNDMASTER® 3000 / 3000D / 3280D / 3320



Cutting Unit Caster & Roller Parts

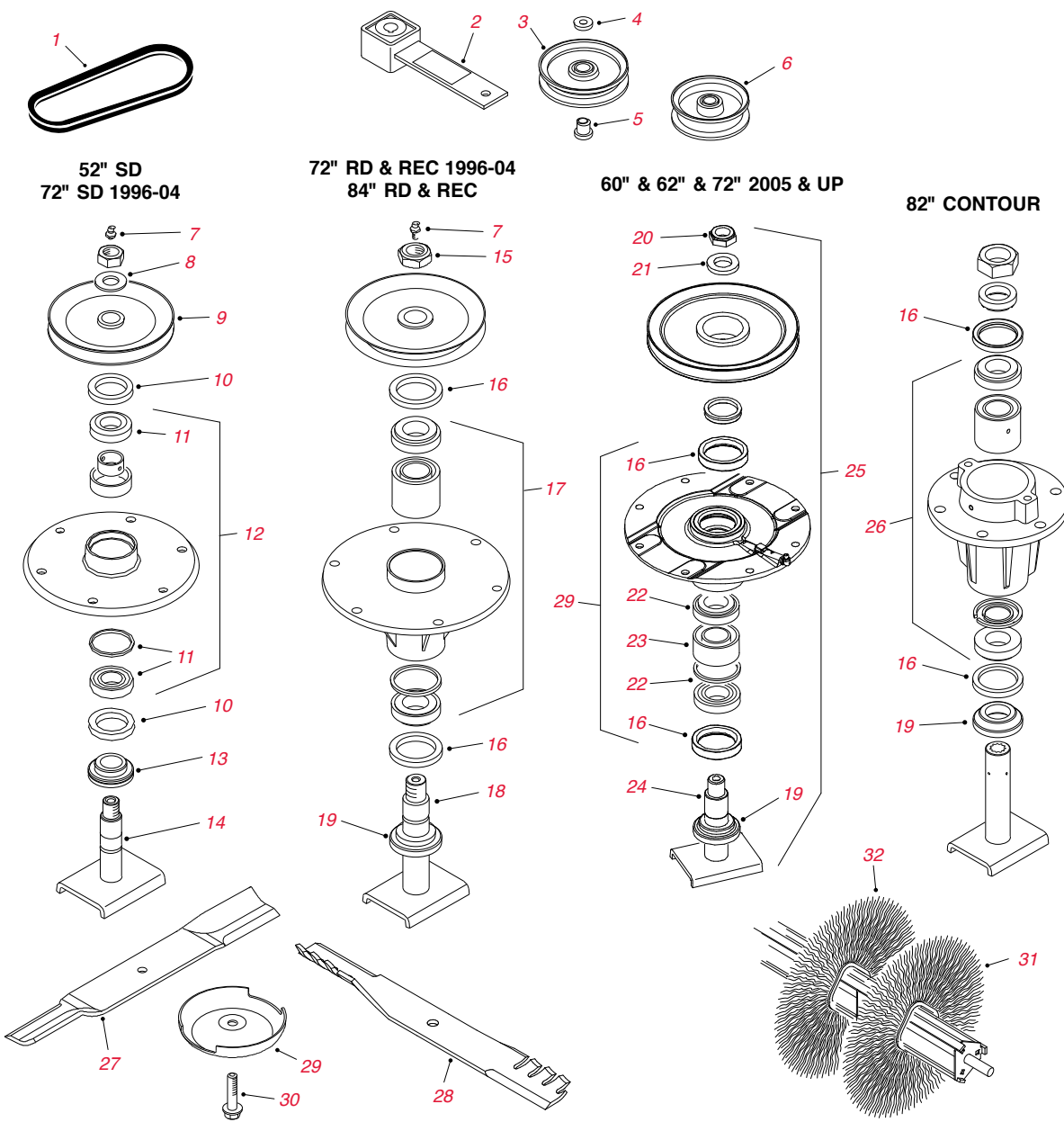
Ref. No.	Part No.	Description	Qty.
1	283-71	LYNCH PIN	2
2	3-6781	THRUST WASHER	8
3	94-1291	BUSHING - FLANGE	4
4	302-5	FITTING - GREASE	2
5	68-8900-01	CASTER FORK	2
6	32153-6	LOCKNUT	2
7	328-9	CAP SCREW	2
8	3256-6	WASHER - FLAT	2
9	68-8980	SPANNER	1
10	62-5570	BEARING - ROLLER	1
11	68-8930	WHEEL HALF - MALE	2
12	68-8960	TIRE	1
13	68-8950	INNER TUBE	2
14	68-8920	WHEEL HALF - FEMALE	2
15	68-8940	HUB - CENTER	2
16	62-5580	BUSHING - FLANGE	2
17	3219-2	NUT - HEX	8
18	3253-4	WASHER - LOCK	8
19	68-8970**	Caster Wheel MVP Kit (52" Side Discharge)	2
*	95-3077**	Caster Wheel MVP Kit (2 Caster Wheels 68-8970)	A/R
20	69-1510	SPACER	24
21	69-6860	WASHER - THRUST	8
22	69-6470	BUSHING - FLANGE	8
23	104-0762-01	CASTER FORK	2

Cutting Unit Caster & Roller Parts - continued

Ref. No.	Part No.	Description	Qty.
24	3296-53	NUT - HEX	1
25	327-24	SCREW - HEX HD	1
26	93-4237	ORDER 120-5378	1
26	120-5378	BEARING	2
27	93-4241	SPACER	1
28	93-5980	HUB	1
29	93-4239	RIM HALF	1
30	93-4243	10" TIRE	1
30	93-9939	8" TIRE	1
31	93-4244	10" INNER TUBE	1
31	68-8950	8" INNER TUBE	1
32	95-2741	RIM HALF	1
33	93-4242	PLATE	1
34	32128-16	NUT - LOCK	4
35	93-9938	8" PNEUMATIC WHEEL ASSEMBLY	2
*	110-4767**	8" Caster Wheel MVP Kit (Incl #24, 25 & 35)	A/R
35	93-4240	10" PNEUMATIC WHEEL ASSEMBLY	1
36	27-1040	SPACER - 1/4"	2
37	63-0070	SPACER - 1/2"	5
38	93-4582	SHAFT - CASTER	2
39	93-4696	PIN - SNAPPER	2
40	93-4510	BUSHING - FLANGE	4
41	93-4824	CASTER FORK	2
42	93-4632	WASHER - WAVE	2
43	93-4628	WASHER	2
44	32120-84	RING - RETAINING	2
45	33118-140	SCREW - HEX HD	2
46	33028-00	NUT - HEX	2
47	29-4820	ROLLER - SPHERICAL	2
48	40-6400	SHAFT - DOUBLE SPHERICAL ROLLER	1
49	57-0690	PIN	1
50	3272-11	PIN - COTTER	3
51	36-1740	ROLLER	1
52	40-0340	SHAFT - ROLLER	1
53	68-6710	ROLLER	1
54	68-6840	SHAFT - ROLLER	1
55	93-4803	ROLLER	2
56	105-4549	SPANNER	2
57	322-29	CAP SCREW	2
58	104-8300	NUT - LOCK	2
59	93-4747	GAGE WHEEL	2
60	93-4764	SPANNER	2
61	93-4806	BOLT - AXLE	2
62	3296-19	NUT - HEX	2
63	40-6400	ROLLER SHAFT	1
64	68-2730	ORDER 1-603299	2
64	1-603299	GAGE WHEEL	2
65	98-7912	SPANNER	1
66	98-7913	SPACER	2
67	323-23	CAP SCREW	1
68	32128-19	NUT - LOCK	1
69	57-0680	ROLLER SHAFT	1
70	92-9727	CAP ASSEMBLY - HEIGHT OF CUT	2
*	105-4320	SWITCH (GM 3280D)	1
*	92-8861	CAP - HOC	1
*	32136-2	NUT - SHH	1
*	3296-45	NUT - LOCK, NI	1
*	92-9726	SPRING - COMPRESSION	1
*	3296-51	NUT - LOCK, NI	1
*	92-8862	HOC CAP ASM (3280/3320)	1

GROUNDMASTER

GROUNDMASTER® 3000 / 3000D / 3280D / 3320



Cutting Unit Spindle & Spindle Drive Parts

Ref. No.	Part No.	Description	Qty.
1	27-1160	BELT - SPINDLE DRIVE (52" SD)	1
1	93-8457	HEX BELT - SPINDLE DRIVE (72" SD & RD & GUARDIAN)	3
1	93-4839	V-BELT - WING DECK (84" RD & GUARDIAN)	2
1	93-4838	HEX BELT - CENTER DECK (84" RD & GUARDIAN)	1
2	100-6178	IDLER ARM ASSEMBLY (52" SD/72" SD 1996-04)	1
3	65-5940	IDLER PULLEY (52" SD/72" & 84" DECKS 1996-04)	1
4	7-0081	WASHER (REQUIRED WITH 65-5940)	1
5	65-5950	BUSHING (REQUIRED WITH 65-5940)	1
6	69-5430-03	PULLEY - IDLER (FLAT - 84" DECKS)	1
7	302-2	FITTING - GREASE	1
8	7-4150	WASHER	1
9	27-0970-03	PULLEY - SPINDLE (52" SD)	1
10	253-139	SPINDLE SEAL (52" SD)	6

Cutting Unit Spindle & Spindle Drive Parts - continued

Ref. No.	Part No.	Description	Qty.
11	27-0960	SPINDLE BEARING (52" SD)	3
12	46-8530	SPINDLE BEARINGS & SPACERS SET (52" SD)	3
14	27-0920	SPINDLE SHAFT (52" SD)	3
15	3296-49	NUT - LOCK (72" DECKS)	1
16	253-154	SPINDLE SEAL	2
17	71-2530	SPINDLE BEARINGS & SPACERS SET (72" RD & GUARDIAN REC)	1
17	93-4825	SPINDLE BEARINGS & SPACERS SET (84" RD & GUARDIAN REC)	1
18	85-6010	SPINDLE SHAFT (72" RD & GUARDIAN REC)	1
19	92-9800	ORDER 69-6950	1
19	69-6950	SPACER - SPINDLE SHAFT	1
20	3296-60	NUT - LOCK	1
21	104-8322	WASHER - HARDENED	1
22	26-1830	ORDER 110-8297	1
22	110-8297	SPINDLE BEARING (60"/62"/72" DECKS)	1
23	104-3549	ORDER 120-5577	1
23	120-5577	BEARING SPACER SET (62" & 72" RD & GUARDIAN REC)	1
24	104-3554	SPINDLE SHAFT (62" & 72" RD & GUARDIAN REC)	1
	108-1957**	ORDER 119-4778	
25	119-4778**	Deck Spindle MVP Kit (Side Discharge)	A/R
	104-3532**	ORDER 119-4776	
25	119-4776**	Deck Spindle MVP Kit (Rear Discharge & Guardian Recycler)	A/R
26	93-4825	SPINDLE BEARINGS & SPACERS SET	1
29	72-9361	CUP - ANTI-SCALP (ALL BUT 82" CONTOUR)	3
30	92-5816	BLADE BOLT	3
31	94-7372	BRUSH ELEMENT - POLY	32
32	95-5942	BRUSH ELEMENT - WIRE	32
27	27-0990-03	STANDARD BLADE - 18" (52" SD)	3
27	44-5480	HIGH SAIL BLADE - 18" (52" SD)	3
27	110-4701	STANDARD BLADE - 20.5" (60" SD)	3
*	110-4770**	Medium Sail Blade & Belt MVP Kit (60" Side Discharge)	A/R
27	110-4702-03	HIGH SAIL BLADE - 20.5" (60" SD)	3
27	92-5608-03	STANDARD BLADE - 21.75" (62" RD & GUARDIAN REC)	3
*	110-4768**	Standard Blade & Belt MVP Kit (62" RD & Guardian Recycler)	A/R
27	104-4569-03	STANDARD BLADE - 25" (72" SD 1996-04)	3
27	110-0621-03	STANDARD BLADE - 24.5" (72" SD 2005 & UP)	3
*	110-4771**	Medium Sail Blade & Belt MVP Kit (72" Side Discharge)	A/R
27	110-0622-03	HIGH SAIL BLADE -25" (72" SD 2005 & UP)	3
27	93-4982	STANDARD BLADE - 25" (72" RD 1996-04)	3
27	85-6040-03	STANDARD BLADE - 25" (72" GUARDIAN REC 1996-04)	3
	108-1958-03	ORDER 121-5347-03	3
27	121-5347-03	STANDARD BLADE - 25" (72" RD & GUARDIAN REC 2005 & UP)	
*	110-4769**	Standard Blade & Belt MVP Kit (72" RD & Guardian Recycler)	A/R
27	93-8409	STANDARD BLADE - 22" (82" CONTOUR)	5
27	86-0010-03	STANDARD BLADE - 19" (84" RD & GUARDIAN REC)	5
28	104-1301	ATOMIC BLADE - 18" (52" SD)	3
*	108-1477	Blade Service Pack (6 BLADES 104-1301)	1
28	110-4703-03	ATOMIC BLADE - 20.5" (60" SD)	3
28	104-1303	ATOMIC BLADE - 21.75" (62" RD & GUARDIAN REC)	3
*	106-0631	Blade Service Pack (6 BLADES 104-1303)	1
28	110-0624-03	ATOMIC BLADE - 24.5" (72" SD 2005 & UP)	3
28	106-4353-03	ATOMIC BLADE - 25" (72" RD & GUARDIAN REC)	3
*	108-1454	Blade Service Pack (6 BLADES 106-4353-03)	1
29	104-3552	ORDER 119-4546	1
29	119-4546	SPINDLE HOUSING ASSEMBLY	1
*	108-1370	GEARBOX REPLACEMENT KIT (3320/3280)	1
*	108-1924	SPACER - IDLER (GM 3280)	1
*	93-4133	SEAL - LIP (GM 3280)	1
*	01-268-0160	PULLEY - IDLER (3320/3280)	2
*	105-2808	END - ROD (3320/3280)	2
*	110-9683	SHAFT - REAR ROLLER	1
*	86-5390	SEAL KIT	1

*Not illustrated. **Not sold separately. See pages 20-33 for kit contents. Prices subject to change without notice. Please see your Parts Catalog or Master Parts Viewer to ensure the correct part is ordered, as the part you need may not be listed above. toro.com/parts

GROUNDMASTER

GROUNDMASTER® 3500D / 3505D / 4000D / 4100D / 4500D / 4700D

Traction Unit Parts

Part No.	Description	Qty.
FILTERS		
30027**	400 Hour Filter MVP Kit (GM 3500D/3505D - 2002-07)	A/R
30058**	400 Hour Filter MVP Kit (GM 3500D/3505D - 2008 -2012)	A/R
30090**	400 Hour Filter MVP Kit (GM 3500D 2012 & Up)	A/R
30029**	400 Hour Filter MVP Kit (GM 4000D/4100D - 2001-07)	A/R
30056**	400 Hour Filter MVP Kit (GM 4000D/4100D)	A/R
30089**	800 Hour Filter MVP Kit (T4i)	A/R
30408**	800 Hour Filter MVP Kit (T4F)	A/R
99-8384	ORDER 108-3841	1
104-5167	ORDER 108-3841	1
108-3841	FILTER - ENGINE OIL	1
98-7431	ORDER 104-5169	1
104-5169	FILTER - ENGINE OIL (2001-08 - TURBO KUBOTA)	1
115-8527	ORDER 104-5169	1
98-9763	ORDER 108-3810	1
108-3810	AIR FILTER ELEMENT (GM 3500D 2000-04)	1
108-3816	ELEMENT - AIR CLEANER INNER	1
108-3814	ELEMENT - AIR CLEANER OUTER	1
98-7612	FILTER - FUEL, PLASTIC	1
108-3828	FILTER - FUEL, METAL	1
98-9764	ELEMENT - SEPARATOR (2001-2007)	1
110-9049	ELEMENT - SEPARATOR (2008 & UP)	1
112-9140	BIO-DIESEL FUEL FILTER KIT	1
112-8400	BIO-DIESEL FUEL PUMP KIT	1
112-7836	IN-LINE FUEL FILTER (BIO-DIESEL KIT)	1
110-9015	ELEMENT - SEPARATOR (BIO-DIESEL KIT)	1
54-0110	FILTER - HYDROSTATIC TRANSMISSION (GM 3500D 2000-01)	1
86-3010	FILTER - HYDROSTATIC TRANSMISSION	1
94-2621	FILTER - HYDRAULIC (MANIFOLD)	1
75-1310	FILTER - HYDRAULIC (PUMP)	1
98-9493	ELEMENT - BREATHER (GM 3500D/3505D)	1
98-7419	ELEMENT - BREATHER (GM 4000D/4100D/4500D/4700D)	1
92-5821	HEAD - FILTER (GM 3500/3505)	1
93-2242	FILTER - OIL (GM 4000D/4100D/4500D/4700D)	1
BELTS		
98-9676	V-BELT - ALTERNATOR DRIVE (GM 3500D/3505D)	1
99-3619	V-BELT - HYDROSTAT DRIVE (GM 3500D/3505D)	1
98-7705	V-BELT - ALTERNATOR DRIVE (GM 4000D/4100D/4500D/4700D)	1
TIRES		
104-0451	ORDER 117-5125	2
117-5125	TIRE - FRONT (20 X 12 - 10) 4-PLY TURF-TRAC (3500D)	2
99-5434	TIRE - FRONT (26 X 12 - 12) 6-PLY MULTI-TRAC (4000D/4100D)	2
100-6700	ORDER 95-3465	2
95-3465	TIRE - FRONT (29 X 124- 15) 6-PLY ULTRA-TRAC (4500D/4700D)	2
95-8656	ORDER 115-1572	2
115-1572	TIRE - REAR (20 X 10 - 10) 4-PLY TURF-TRAC (3500D)	2
94-5236	TIRE - REAR (20 X 10 - 10) 6-PLY MULTI-TRAC (4000D/4100D)	2
104-0451	ORDER 117-5125	2
117-5125	TIRE - REAR (20 X 12 - 10) 4-PLY TURF-TRAC (4500D/4700D)	2
136-4442	TIRE - FRONT (26 X 12 - 12) 6-PLY; HIGH TRACTION (GM 4000/4100)	2
136-4440	TIRE - REAR (20 X 10 - 10) 6-PLY; HIGH TRACTION (GM 4000/4100)	2
STARTER & ALTERNATORS		
98-9705	STARTER (GM 3500D/3505D)	1
100-9237	STARTER (GM 4000D/4100D/4500D/4700D)	1
131-6557	ALTERNATOR (GM 3500D/3505D)	1
98-7693	ALTERNATOR (GM 4000D/4100D/4500D/4700D)	1
117-5541	ALTERNATOR - 60 AMP (4000D)	1
106-5269	IGNITION SWITCH ASM (4000/4100/4500/4700)	1
106-5270	IGNITION KEY SET (GM 4000/4100/4500/4700)	1

Traction Unit Parts - continued

Part No.	Description	Qty.
HYDRAULIC MOTOR		
117-5141	MOTOR - HYDRAULIC (GM 3500 /3505/4500/4700)	1
110-8785	MOTOR - HYDRAULIC CCW (GM 3500/3505)	1
110-8786	MOTOR - HYDRAULIC CW (GM 3500/3505)	1
112-9916	HYDRAULIC CYLINDER ASM (GM 3500/3505)	1
104-4890	PISTON PUMP ASM - HYDROSTAT (GM 3500/3505)	1
117-5135	RADIATOR ASM (GM 3500D/3505D 2000-2013)	1
121-7856	STEERING ARM ASM (GM 3500G)	1
104-4840	TANK-HYD, HYDRAULIC TANK ASM	1
105-1214	HOSE-HYD, HYDROSTAT ASM (GM 3500D/3505D)	1
69-4320	FITTING-HYD, 90 DEG (GM 3500D/3505D)	1
125-1984	SPACER, HYDRAULIC MOW CIRCUIT ASM	5
100-3052	PISTON MOTOR ASM (GM 4000D)	2
100-4809	HOSE - RADIATOR, LOWER (GM 3500D/3505D UP TO 2013)	1
100-4876	HOSE - HYD, ROTARY MOTOR (GM 3500D/3505D)	1
100-4880	HOSE - HYD, REAR LIFT ARM (GM 3500D)	2
100-4891	HOSE - HYD, REAR LIFT ARM (GM 3500D)	1
100-5525	HOSE ASM, HYDRAULIC (GM 4000D/4100D 2001-2009)	1
100-5579	HOSE ASM, HYDRAULIC (GM, 4000D/4100D)	1
104-0402	TUBE - HYD, REAR LIFT ARM (GM 3500D/3505D)	1
104-0407	HOSE - HYD, HYDRAULIC (GM 3500/3505)	1
104-0454	HOSE - RADIATOR, UPPER (GM 3500D/3505D 2000-2013)	1
104-0764	PISTON MOTOR ASM (GM 4000D/4100D)	1
104-1080	HOSE - HYD (GM 3500D/3505D)	2
104-2260	HOSE ASM, PTO HYDRAULIC (GM 4000D)	1
104-2261	HOSE ASM, PTO HYDRAULIC (GM 4000D)	1
104-2263	HOSE ASM, PTO HYDRAULIC (GM 4000D)	4
104-2265	HOSE - HYD, PTO HYDRAULIC (GM 4000D)	2
104-3502	HOSE ASM (GM 4000D/4100D 2001-2014)	1
104-5464	HOSE - HYD (GM 4500D/4700D)	2
104-5483	HOSE - HYD, HYDRAULIC LINE (GM 4500D/4700D)	2
104-5500	HOSE - HYD, HOSE INSTALLATION (GM 4500D/4700D)	2
104-5501	HOSE - HYD, HOSE INSTALLATION (GM 4500D/4700D)	4
104-5502	HOSE - HYD, HOSE INSTALLATION (GM 4500D/4700D)	1
104-5504	HOSE - HYD, HOSE INSTALLATION (GM 4500D/4700D)	1
104-5505	HOSE - HYD, HOSE INSTALLATION (GM 4500D/4700D)	1
104-5511	HOSE - HYD, HOSE INSTALLATION (GM 4500D/4700D)	2
104-5512	HOSE - HYD, HOSE INSTALLATION (GM 4500D/4700D)	2
105-0775	STEERING CYLINDER ASM (GM 4000D/4100D)	1
105-1212	HOSE - HYD (GM 3500D)	1
105-1213	HOSE - HYD (GM 3500D/3505D)	1
105-1215	HOSE - HYD (GM 3500D/3505D)	2
105-1216	HOSE - HYD (GM 3500D/3505D)	2
105-1218	PISTON MOTOR ASM (GM 4500D/4700D)	2
105-1219	HYD MOTOR ASM (GM 4500D/4700D)	1
105-3985	HOSE - HYD, PUMP INSTALLATION (GM 4000D/4100D/4500D/4700D)	1
105-7927	HOSE - HYD (GM 4000D/4100D/4500D/4700D)	1
105-9238	HOSE - HYD (GM 4500D/4700D)	4
105-9817	HOSE - HYD (GM 4500D/4700D)	1
107-0204	HOSE ASM (GM 4000D/4100D 2001-2009)	1
107-0222	HOSE ASM (GM 4100D 2003-2014)	2
107-0244	RADIATOR (GM 4000D/4100D)	1
107-4303	HYD CYLINDER ASM (GM 4000D)	2
107-4304	HYD CYLINDER ASM (GM 4000D)	2

GROUNDMASTER

GROUNDMASTER® 3500D / 3505D / 4000D / 4100D / 4500D / 4700D

Traction Unit Parts - continued

Part No.	Description	Qty.
HYDRAULIC MOTORS – continued		
108-9036	HYD GEAR PUMP ASM (GM 3500/3505)	1
114-3831	HOSE - RADIATOR, UPPER (GM 4000D/4100D/4500D/4700D)	1
114-3832	HOSE - RADIATOR, LOWER (GM 4000D/4100D/4500D/4700D)	1
120-8802	HYD CYLINDER ASM (GM 4000D 2013 & UP)	2
120-8959	HOSE - HYD (GM 4000D 2013 & UP)	2
92-7534	HOSE - HYD (GM 4500D/4700D)	1
92-7536	HOSE - HYD, RADIATOR (GM 3500/3505/4500D/4700D)	1
92-7539	HOSE - HYD, HYDRAULIC STEERING (GM 4000D/4100D/4500D/4700D)	1
95-8843	HOSE - HYD, FRONT DECK (GM 3500D/3505D/4100D)	1
95-8933-03	PLATE - MOUNT, PUMP (GM 3500D/3505D)	1
99-3620	PULLEY - 3V, PUMP (GM 3500D/3505D)	1
99-3624	SHAFT - PIVOT, IDLER (GM 3500D/3505D)	1
80-7342	HOSE - HYD (GM 3500/3505)	1
104-0487	HOSE - HYD (GM 3500/3505)	1
104-0405	HOSE - HYD (GM 3500)	1
104-0406	HOSE - HYD (GM 3500)	1
115-3771	HOSE ASM (GM 4000/4100 2009-2014)	2
115-8484	HYD HOSE ASM (GM 4000/4100)	1
115-8483	HYD HOSE ASM (GM 4000/4100 2009-2014)	1
114-3837	HOSE ASM (GM 4000/4100 2009-2014)	1
104-2264	HOSE ASM (GM 4000/4100 2001-2008)	1
104-2235	HOSE ASM (GM 4000/4100)	1
SEAT		
131-6691	SEAT COVER, LARGE	1
137-1312	MESH SEAT COVER, LARGE	1
OTHER		
104-0462	HUB WHEEL - SPACER (GM3500D/3500G)	1
117-5129	REAR FORK AND TIRE ASM (GM 3500 2010 & UP)	1
70-9870	PLATE-BACKING	1
104-4809	DRUM-BRAKE	1
107-7828	REAR CASTING ASM (GM 3500/3505)	1
95-8783	TUBE ASM, FRONT WHEEL & BRAKE ASM (GM 3500D/3505D)	1
95-8784	TUBE ASM, FRONT WHEEL & BRAKE ASM (GM 3500D/3505D)	2
87-3470	BUMPER (GM 4500D/4700D)	1
117-5115	HUB & BEARING ASM (GM 3505D)	1
104-4817	LEVER-BRAKE (GM 3500D/3505D)	1
104-0485-03	SHIELD-WHEEL (GM 3500D/3505D)	1
3274-99	SCREW-HSH, FRONT WHEEL & BRAKE ASM	1
100-4929	SLOPE INDICATOR ASM (GM 3500)	1
106-4154	FLOORPLATE ASM (GM 3500/3505)	1
104-4852-03	PEDAL-TRACTION, TRACTION PEDAL ASM (GM 3500/3505)	1
95-8990	SHAFT-PIVOT REAR, REAR LIFT ARM ASM (GM 3500/3505)	1
108-0638	BOTTLE-OVERFLOW (GM 3500D/3505D)	1
99-3623-03	ARM-IDLER (GM 3500)	1
233-70	KNOB-STAR, FUEL TANK & COTNROL PANEL ASM	1
99-3478	TREAD-FOOT, (GM 3500D/3505D), FRONT PLATFORM ASM	1
95-8689	SINGLE SPOOL CONTROL VALVE ASM (GM 3505D)	1
95-8575	PIN, CARRIER ASM (GM 3500/3505)	5
104-0422	NEUTRAL ARM ASM (GM 3500/3505)	1
100-1535	SWITCH (GM 4000/4100/4500/4700)	1
100-3069	RH BRAKE ASM (GM 4100D)	1
100-3070	LH BRAKE ASM (GM 4100D)	1
100-3795	BALL JOINT (GM 4000/4100/4500/4700)	1
100-4810	MUFFLER (GM 3500D/3505D 2000-2013)	1
100-4939-03	CARRIER - SIDEWINDER (GM 3500)	1
100-4890	FITTING - CHECK	1
100-9333	GASKET - MUFFLER (GM 4000D/4100D/4500D/4700D)	1
104-3563	INDICATOR (GM 4100D)	1
104-4853-03	SCREEN HOOD (GM 3500)	1
104-5190-03	PANEL - CONTROL (GM 3500)	1

Traction Unit Parts - continued

Part No.	Description	Qty.
<i>OTHER - continued</i>		
104-7547	CABLE - THROTTLE (GM 4000D/4100D/4500D/4700D 2001-2009)	1
105-0750	FAN (GM 4000D/4100D/4500D/4700D)	1
105-8536-01	ARM - STEERING (GM 3500D)	1
110-6129	IDLER ARM ASM (GM 4000/4100)	1
110-8787	FRONT CARRIER FRAME ASM (GM 3500)	2
114-3825	FAN (GM 4000D/4100D/4500D/4700D)	1
114-3848	COUPLER - SPRING, FLYWHEEL (GM 4500/4700)	1
114-3849	MUFFLER - TURBO (GM 4000D/4100D/4500D/4700D 2009-2011)	1
115-3453	CARRIER FRAME ASM (GM 4500/4700)	7
115-3461	LH LIFT ARM ASM (GM 3500)	1
115-3462	RH LIFTARM ASM (GM 3500)	1
115-3465	LH SHORT LIFTARM ASM (GM 3500/3505)	1
115-3473	REAR LIFTARM ASM (GM 3500/3505)	1
119-0084	CONTROL - THROTTLE (GM 4000D/4100D)	1
119-0116-03	MOUNT - BUMPER, RH (GM 4000 2010-2014)	1
119-0117-03	MOUNT - BUMPER, LH (GM 4000D 2010-2014)	1
119-0118	PAD - BUMPER (GM 4000D 2010-2014)	10
119-3871	RADIATOR (GM 4000D/4100D/4500D/4700D)	1
119-5298	DOUBLE - DRIVEN SPINDLE (GM 4100D)	1
119-6968	DIPSTICK - OIL	1
127-3741	CASTOR ARM ASM KIT (GM 4000/4100)	1
127-6427	LIFT CYLINDER ASM (GM 4500D/4700D)	1
127-6428	LIFT CYLINDER ASM (GM 4500/4700)	1
130-7944	VALVE - CONTROL, STEERING (GM 4010)	1
132-9421	PULLEY - IDLER, FLAT (GM 4000D/4100D)	2
340-139	FITTING - ELBOW 90 (GM 3500D/3505D/4000D/4100D/4500D/4700D)	2
353-781	FITTING - ELBOW (GM 3500D/3505D/4000D/4100D/4500D/4700D)	2
53-9682	MOUNT - ENGINE (GM 4000D/4100D/4500D/4700D)	4
75-0560	STEERING WHEEL ASM (GM 3500D/3505D)	1
92-7538	HOSE ASM, STEERING HYDRAULIC (GM 4000D/4100D)	1
94-8141	HYD CYLINDER ASM (GM 3500)	1
95-8581	2-SPOOL CONTROL VALVE ASM (GM 3500/3505)	1
95-8796-03	SUPPORT - BATTERY (GM 3500/3505A)	1
95-8854	CABLE - BATTERY, NEGATIVE	1
95-8884	CLAMP (GM 3500)	4
95-8971	GAUGE - FUEL (GM 3500/3505)	1
98-1471	WHEEL - STEERING	1
99-5501	BRAKE CABLE ASM (GM 4000D/4100D 2001-2009)	2
321-10	SCREW - HH, PARKING BRAKE	1
32144-1	SCREW - TAPTITE (GM 3500D)	4
104-4855-03	FRAME - RADIATOR (GM 3500/3505 2002-2013)	1
119-0089	LH LIFT ARM ASM (GM 4000/4010 2010-2016)	1
119-0087	RH LIFT ARM ASM (GM 4000/4100 2010-2016)	1
127-3731	FRONT LH CASTOR ARM ASM (GM 4000/4010)	1
127-3721	FRONT RH CASTOR ARM ASM (GM 4000/4010)	1
117-2376	CABLE - BATTERY, POSITIVE (GM 4500/4700 2009-2014)	1
95-9648	KNOB (GM 4000/4100)	4
100-8148-03	MOUNT - RH (GM 4000/4010)	1
32121-3	PIN - SPRING (GM 3500/3505/4500/4700)	1
340-6	FITTING - STRAIGHT (GM 4000/4100)	1

GROUNDMASTER

GROUNDMASTER® 3500D / 3505D / 4000D / 4100D / 4500D / 4700D TIER4 MODELS

Traction Unit Parts

	Part No.	Description	Qty.
FILTERS			
	30408**	800-Hour MVP Kit, GM 4000/4100/4500/4700 (2013 & Up)	A/R
	108-3811	FILTER-AIR (GM 3505D)	1
	110-9049	FILTER-SPIN ON (GM 3505D)	1
	86-3010	FILTER-OIL (GM 3505D)	1
	108-3814	FILTER-AIR (GM 4000D/4010D/4100D/4110D/4500D/4700D)	1
	108-3816	FILTER-AIR (GM 4000D/4010D/4100D/4110D/4500D/4700D)	1
	125-7025	FILTER (GM 4000D/4010D/4100D/4110D/4500D/4700D)	1
	125-2915	FILTER-SPIN ON (GM 4000D/4010D/4100D/4110D/4500D/4700D)	1
	125-8752	FILTER-FUEL (GM 4000D/4010D/4100D/4110D/4500D/4700D)	1
	127-3075	FILTER ASM (GM 4000D/4010D/4100D/4110D/4500D/4700D)	1
	75-1310	FILTER-HYD (GM 4000D/4010D/4100D/4110D/4500D/4700D)	1
	94-2621	ELEMENT-FILTER (GM 4000D/4010D/4100D/4110D/4500D/4700D)	1
	125-2914	SEPARATOR FILTER ASM (GM 4000D/4010D/4100D/4110D/4500D/4700D)	1
	92-5821	HEAD - FILTER (GM 3500D/3505D)	1
BELTS			
	104-3494	V-BELT (GM 3505D)	1
	120-3351	3V-BELT (GM 3505D)	1
	108-8076	V-BELT, DECK (GM 4000D/4010D)	1
	127-2998	V-BELT (GM 4000D/4010D/4500D/4700D)	1
	108-8077	V-BELT, DECK (GM 4100D/4110D)	1
	127-2998	V-BELT (GM 4100D/4110D)	1
BEARINGS			
	See Quick Reference Guide for detailed information on bearing replacements for this model. Page 30-38		
	112-5290	BEARING-STEEL, STAINLESS (GM 3505D)	1
	120-3366	BEARING (GM 3505D)	1
	251-259	BEARING-BALL (GM 3505D)	1
	251-259	BEARING-BALL (GM 3505D)	1
	254-94	BEARING-CONE, TAPERED (GM 3505D)	1
	254-72	BEARING-CUP, TAPERED (GM 3505D)	1
	105-8118	BEARING-CONE (GM 4000D/4010D/4100D/4110D/4500D/4700D)	1
	105-8120	BEARING-CONE (GM 4000D/4010D/4100D/4110D/4500D/4700D)	1
	110-8297	BEARING ASM (GM 4000D/4010D/4100D/4110D)	1
	120-3366	BEARING (GM 4000D/4010D/4100D/4110D/4500D/4700D)	1
	125-5279	BEARING-ROLLER (GM 4000D/4010D/4100D/4110D/4500D/4700D)	1
	125-7249	BEARING, BALL (GM 4000D/4010D/4100D/4110D/4500D/4700D)	1
	125-7251	BEARING-BALL (GM 4000D/4010D/4100D/4110D/4500D/4700D)	1
	125-7252	BEARING-BALL (GM 4000D/4010D/4100D/4110D/4500D/4700D)	1
	125-7253	BEARING-BALL (GM 4000D/4010D/4100D/4110D/4500D/4700D)	1
	127-2958	BEARING-BALL (GM 4000D/4010D/4100D/4110D/4500D/4700D)	1
	127-2983	BEARING-BALL (GM 4000D/4010D/4100D/4110D/4500D/4700D)	1
	119-8558	BEARING-BALL (GM 4000D/4010D/4100D/4110D/4500D/4700D)	1
	99-7532	BEARING-ROLLER, TAPER (GM 4000D/4010D/4100D/4110D/4500D/4700D)	1
	99-7534	BEARING-BALL (GM 4000D/4010D/4100D/4110D/4500D/4700D)	1
	93-7775	BEARING-BALL (GM 4000D/4010D/4100D/4110D/4500D/4700D)	1
	99-7570	BEARING-ROLLER, TAPER (GM 4000D/4010D/4100D/4110D/4500D/4700D)	1
	105-7441	BEARING-SPHERICAL (GM 4100D/4110D)	1
	112-5290	BEARING-STEEL, STAINLESS (GM 4500D/4700D)	1
	105-4552	BEARING-PLASTIC (GM 4000D)	2
	2411-36	BEARING-END, ROD (GM 4000D/4100D/4500D/4700D)	1
TIRES			
	115-1572	TIRE-REAR (20 X 10 - 10) 4-PLY TURF-TRAC(GM 3505D/4500D/4700D)	2
	119-8313	TIRE (GM 4000D/4010D/4100D/4110D)	2
	120-8910	TIRE-OFF ROAD (GM 4000D/4010D/4100D/4110D)	2
	93-9939	TIRE (GM 4000D/4010D/4100D/4110D)	2
	119-0023	TIRE (GM4500D/4700D)	2
	136-4442	TIRE - FRONT (26 X 12 - 12) 6-PLY; HIGH TRACTION (GM 4000/4100)	2
	136-4440	TIRE - REAR (20 X 10 - 10) 6-PLY; HIGH TRACTION (GM 4000/4100)	2
	136-7963	TIRE ASM (GM 4300)	2

Traction Unit Parts - continued

	Part No.	Description	Qty.
STARTER & ALTERNATORS			
	131-6557	ALTERNATOR ASM (GM 3505D)	1
	98-9705	STARTER ASM (GM 3505D)	1
	125-7003	STARTER (GM 4000D/4010D/4100D/4110D/4500D/4700D)	1
	117-5135	RADIATOR ASM (GM 3500D/3505D 2000-2013)	1
	127-3694	GEAR MOTOR ASM (GM 4000D/4100D/4010D/4110D)	1
	104-4890	PISTON PUMP ASM - HYDROSTAT (GM 3500/3505)	1
SEAT			
	104-4620	SEAT-STD	1
	92-8991	ADJUSTER - SEAT	1
	131-6691	SEAT COVER, LARGE	1
	137-1312	MESH SEAT COVER, LARGE	1
	108-1757	COVER - SEATBASE	1
OTHER			
	115-5305	CAP-FUEL (GM 4000D/4010D/4100D)	1
	108-0638	BOTTLE-OVERFLOW (GM 3500D/3505D)	1
	104-0462	HUB WHEEL - SPACER (GM3500D)	1
	95-8905-01	FORK - REAR (GM 3500D/3505D)	1
	3274-105	SCREW-HSBH, FRONT WHEEL & BRAKE ASM (GR3500D)	1
	107-7828	REAR CASTING ASM (GM 3500/3505)	1
	100-4815	CABLE-CONTROL, TRACTION (GM 3500D/3500G/3505)	1
	114-8119	STEERING VALVE ASM (GM 4500/4700)	1
	100-3069	RH BRAKE ASM (GM 4000D/4500D/4700D)	1
	100-3070	LH BRAKE ASM (GM 4000D/4500D/4700D)	1
	104-0400	TUBE ASM, HYDRAULIC (GM 3500/3505)	1
	104-0403	TUBE ASM, REAR LIFT ARM (GM 3500/3505)	1
	104-3563	INDICATOR (GM 4000D/4500D/4700D)	1
	104-4246	FAN- ENGINE (GM 3500D/3505D)	1
	106-9288	SENSOR - PROXIMITY, FERROUS (GM 4500D/4700D)	2
	107-0244	RADIATOR (GM 4500/4700)	1
	110-6129	IDLER ARM ASM (GM 4000)	1
	110-8795	CABLE - THROTTLE (GM 3500D/3505D)	1
	114-2726	LEVER - BRAKE (GM 3500/3505)	2
	105-0750	FAN (GM 4000D/4500D/4700D)	1
	115-3488	SPRING - TORSION, HYDROSTAT (GM 3500D/3505D)	1
	105-9202	NO. 2 LIFT ARM ASM (GM 4500/4700)	1
	105-9203	NO. 3 LIFT ARM ASM (GM 4500/4700)	1
	108-4033	NO. 4 LIFT ARM ASM (GM 4500/4700)	1
	120-4132-01	CHAMBER - OUTER (GM 4000D 2012-2015)	1
	120-8879	LH LIFT ARM ASM (GM 4000D 2013 & UP)	1
	121-1720-01	BRACKET - FORK (GM 4000D)	2
	121-3882	SHAFT - PIVOT, LIFT ARM (GM 4000D)	2
	125-1906	PIN - CYLINDER, FRONT LIFT ARM (GM 4500D/4700D)	3
	127-3741	CASTOR ARM ASM KIT (GM 4000D)	1
	32121-110	PIN - ROLL, SLOTTED (GM 4500D/4700D)	3
	32144-4	SCREW - HWH, AIR CLEANER (GM 3500D/3505D)	4
	3234-42	SCREW - HHF, FUEL TANK (GM 4500D/4700D)	2
	3256-28	WASHER - FLAT, LIFT ARM (GM 4700D)	2
	3296-51	NUT - LOCK, NI, FRONT LIFT ARM (GM 4500D/4700D)	4
	74-1810	WASHER, HYDROSTAT (GM 3500D/3505D)	1
	92-2739	PIN - CLEVIS, LIFT ARM (GM 4000D)	1
	95-7158	PIN - PIVOT, LIFT ARM (GM 4500D/4700D)	3
	95-8796-03	SUPPORT - BATTERY (GM 3500D/3505D)	1
	95-8803	BUSHING - FLANGE, ROTARY MOTOR (GM 3500D/3505D)	6
	95-8854	CABLE - BATTERY, NEGATIVE (GM 3500D/3505D)	1
	99-3641	CLAMP - TUBE, LIFT ARM (GM 3500D/3505D)	2
	95-8904-03	BRACKET - CLAMP, CARRIER (GM 3505)	1
	99-3373	BAR - SUPPORT SLIDE, CARRIER (GM 3505)	2
	104-0401	TUBE - ASM, REAR LIFT ARM (GM 3505)	1
	104-0404	TUBE - ASM, REAR LIFT ARM (GM 3505)	1
	104-4836	FITTING - TEE (GM 3500)	1
	340-68	FITTING - TEE BULKHEAD	2
	353-979	FITTING - STRAIGHT (GM 3500)	1
	100-1535	SWITCH	1

*Not illustrated. **Not sold separately. See pages 20-33 for kit contents. Prices subject to change without notice. Please see your Parts Catalog or Master Parts Viewer to ensure the correct part is ordered, as the part you need may not be listed above. toro.com/parts

GROUNDSMASTER

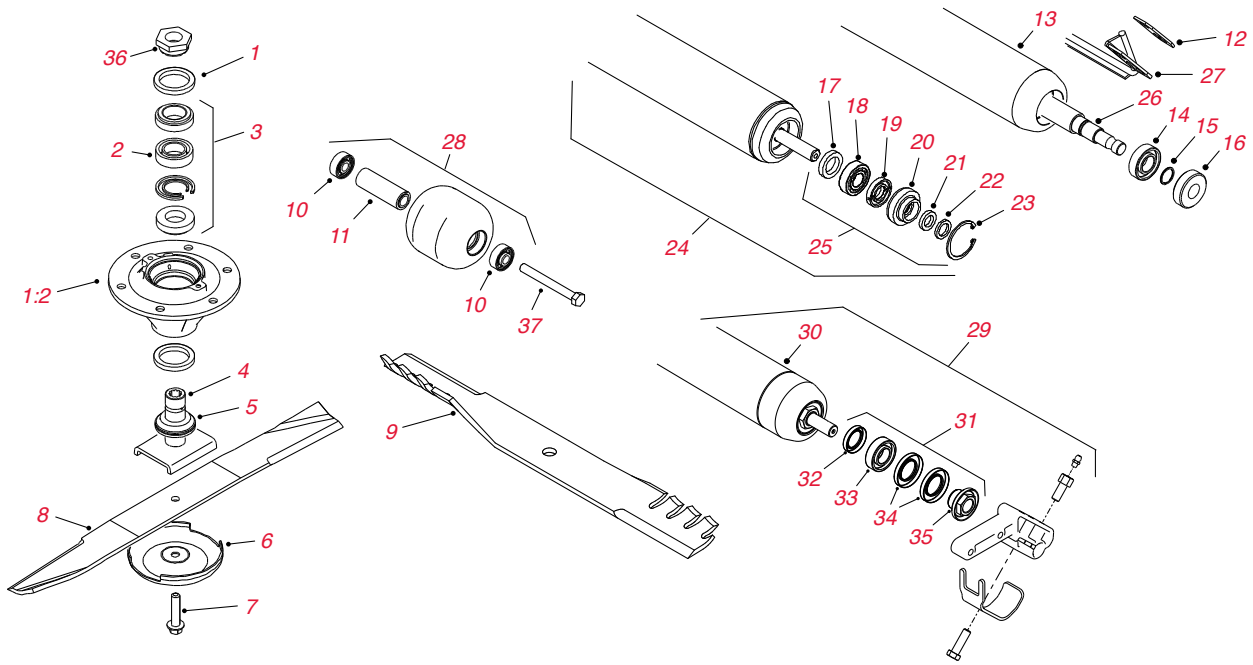
GROUNDSMASTER® 3500D / 3505D / 4000D / 4100D / 4500D / 4700D TIER4 MODELS

Traction Unit Parts - continued

	Part No.	Description	Qty.
OTHER - <i>continued</i>	95-8568-03	FRAME - LOWER (GM 3500/3505)	1
	104-4834	MUFFLER (GM 3500/3505)	1
	108-4034	NO. 5 LIFT ARM ASM (GM 4500/4700 2005 & UP)	1
	108-4032	NO. 1 LIFT ARM ASM (GM 4500/4700 2007 & UP)	1
	120-8878	RH LIFT ARM ASM (GM 4000 2013 & UP)	1
	99-3626	PULLEY (GM 3500)	1
	120-8988	HOSE - HYD (GM 4000/4010 2013 & UP)	1
	107-4349-03	MOUNT - DECK, LH (GM 4000/4010)	1
	120-8987	HOSE - HYD (GM 4000/4010 2013 & UP)	1
	120-8987	HOSE - HYD (GM 4100/4110 2013 & UP)	2
	117-2364	HUB - FAN (GM 4000/4010/4100/4110/4500/4700 2009 & UP)	1
	100-4348-03	MOUNT - ENGINE (GM 3500)	1
	108-4022	SHAFT - CARRIER, PIVOT (GM 4700 2005 & UP)	2
	104-2281	SHAFT - PIVOT (GM 4000/4010 2001-2016)	2
	86-5390	SEAL KIT (GM 3500/3505)	1
	107-1977	SEAL KIT (GM 4500/4700)	1
	105-9823	BUSHING - CARRIER (GM 4500/4700)	6
	112-9919	STOP - CABLE, THROTTLE	1
	256-304	WASHER - THRUST (GM 4000/4010)	4
	121-3874	CASTOR WRENCH ASM (GM 4000/4010/4100/4110)	1
	104-0417	SLIDE - PLASTIC (GM 3500)	2
	117-9507	PEDAL - ACCELERATOR (GM 4500/4700)	1
	104-0720	SPACER (GM 4000/4010)	2
	104-4828-03	BRACKET - ACTUATOR (GM 3500/3505)	2
	104-0108	U-BOLT (GM 4000/4010/4100/4110)	2
	323-52	SCREW - HH (GM 3500/3505)	6

GROUNDMASTER

GROUNDMASTER® 3500D / 3505D / 4500D / 4700D



27" Cutting Unit Parts

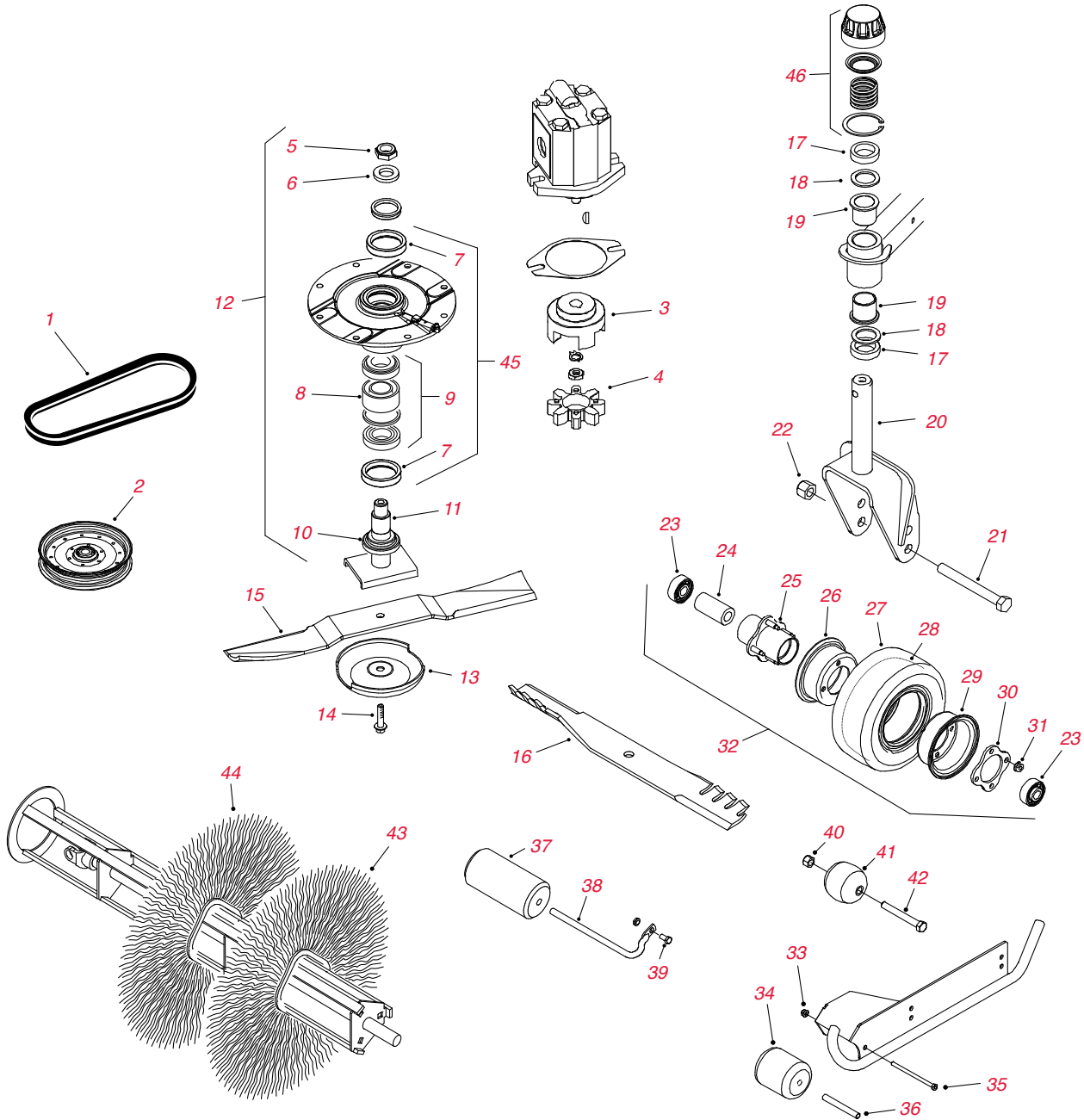
Ref. No.	Part No.	Description	Qty.
*	115-3435	SPINDLE ASM	1
1	253-154	SPINDLE SEAL	2
1:2	115-3434	SPINDLE	1
2	100-5704	BEARING SPACER SET	1
3	100-5703	SPINDLE BEARINGS & SPACERS SET	1
4	100-5705	SPINDLE SHAFT	1
5	69-6950	SPINDLE SPACER	1
*	115-3435	Spindle Kit	
6	72-9361	CUP - ANTI-SCALP	1
7	92-5816	BOLT - BLADE	1
8	100-5754-03	ORDER 105-9810-03	1
8	105-9810-03	STANDARD BLADE - 27" (2000-05)	1
8	105-4089	ORDER 104-5183	1
8	104-5183	HIGH SAIL BLADE - 27" (2000-05)	1
8	108-9026-03	COMBINATION BLADE - 27" (2006 & UP)	1
9	107-0235-03	ATOMIC BLADE - 27" (2006 & UP)	1
*	108-1463	Blade Service Pack (5 Blades 107-0235-03)	1
*	108-1462	Blade Service Pack (6 Blades 107-0235-03)	1
*	108-1464	Blade Service Pack (7 Blades 107-0235-03)	1
10	108-9017	ORDER 120-3366	2
10	115-1580	ORDER 120-3366	2
10	120-3366	BEARING (STAINLESS STEEL)	2
11	100-5762	SPANNER	1
12	105-1230	PLATE - SCRAPER (2000-03)	2
13	105-6771-03	ORDER 112-5291	1
13	105-9884-03	ORDER 112-5291	1
	112-5291	ROLLER TUBE ASSEMBLY	
*	107-1595**	Roller Rebuild MVP Kit (Bearings 251-347 - 2000-03)	A/R
14	251-347	BEARING	2
15	104-4212	RING - RETAINING	2

27" Cutting Unit Parts - continued

Ref. No.	Part No.	Description	Qty.
16	99-3842	SEAL - OIL	2
17	93-3007	SEAL - OIL	2
18	109966	BEARING	2
19	93-1251	SEAL - INNER	2
20	93-1252	SEAL - OUTER	2
21	253-70	SEAL - OIL	2
22	93-2931	WASHER	2
23	32120-62	RING - RETAINING	2
24	107-1996	ORDER 112-5291	1
25	106-9606**	Roller Rebuild MVP Kit (Bearings 109966 - 2003-07)	A/R
26	104-9480	SHAFT - ROLLER	1
27	104-9492-03	ROLLER SCRAPER	1
28	104-1092	ORDER 136-2908	2
28	115-3418	ORDER 136-2908	2
*	136-2908	ROLLER ASSEMBLY	2
*	131-7800	ROLLER ASM - UHMW	1
*	136-2881	BALLAST KIT - UHMW ROLLER, 27" CU	1
*	136-2915	BALLAST KIT - UHMW ROLLER, 22" CU	1
29	112-5291	ROLLER & BRACKET KIT	1
30	112-5265	ROLLER ASSEMBLY (2007 & UP)	1
31	114-5430**	Roller Rebuild MVP Kit (Bearings 112-5290 - 2007 & Up)	A/R
32	114-3717	SEAL - INNER	1
33	112-5290	BEARING - STAINLESS STEEL	1
34	112-7494	SEAL - OUTER	2
35	114-5411	NUT - BEARING LOCK	1
36	100-5709	NUT - SPINDLE	1
37	327-15	SCREW - HEX HD.	2
*	121-3575	SPACER-HOC	1
*	136-2921	PLATE ASM - HOC	1
*	115-3466	RH SHORT LIFT ARM ASM (GM 3505)	1
*	100-5799	SHIM-HOC, 060 (HEIGHT OF CUT ASM)	18
*	100-4944	SHAFT - PIVOT, CUTTING UNIT (GM 3500/3505)	1
*	100-5797-03	BRACKET - HOC, RH (GM 3500/3505/4500/4700)	1
*	104-1051-03	PLATE - SPINDLE	1
*	104-1052-03	BRACKET - HOC, FRONT	1
*	104-4229	REAR CARRIER FRAME ASM (GM 3500/3505)	1
*	104-4624-03	BRACKET - HOC, LH (GM 3500/3505/4500/4700)	1
*	104-4641	SHIM - HOC, .030"	3
*	104-4819-03	BRACKET - PIVOT, LH (GM 3500)	1
*	104-5525	PIN - CYLINDER (GM 4500/4700)	3
*	105-9827	SHAFT	2
*	107-0245	SEAL KIT	1
*	107-1979	LIFT CYLINDER ASM (GM 4500D/4700D 2002-2015)	2
*	107-7816	BRACKET - SKID	2
*	107-7819	SEAL KIT	1
*	107-7834	PULLEY - IDLER	1
*	108-4023	SHAFT - CARRIER, PIVOT (GM 4500/4700)	3
*	86-2120	ROLLER - LOCK (GM 4100)	4
*	86-8101-01	JOINT - BALL, LH	2
*	127-6389	DECK CHAMBER SERVICE ASM	1
*	100-5780-03	FRAME - DECK	1
*	105-9822	SPACER (GM 4500/4700)	10

GROUNDMASTER

GROUNDMASTER® 4000D / 4100D



Cutting Unit Parts

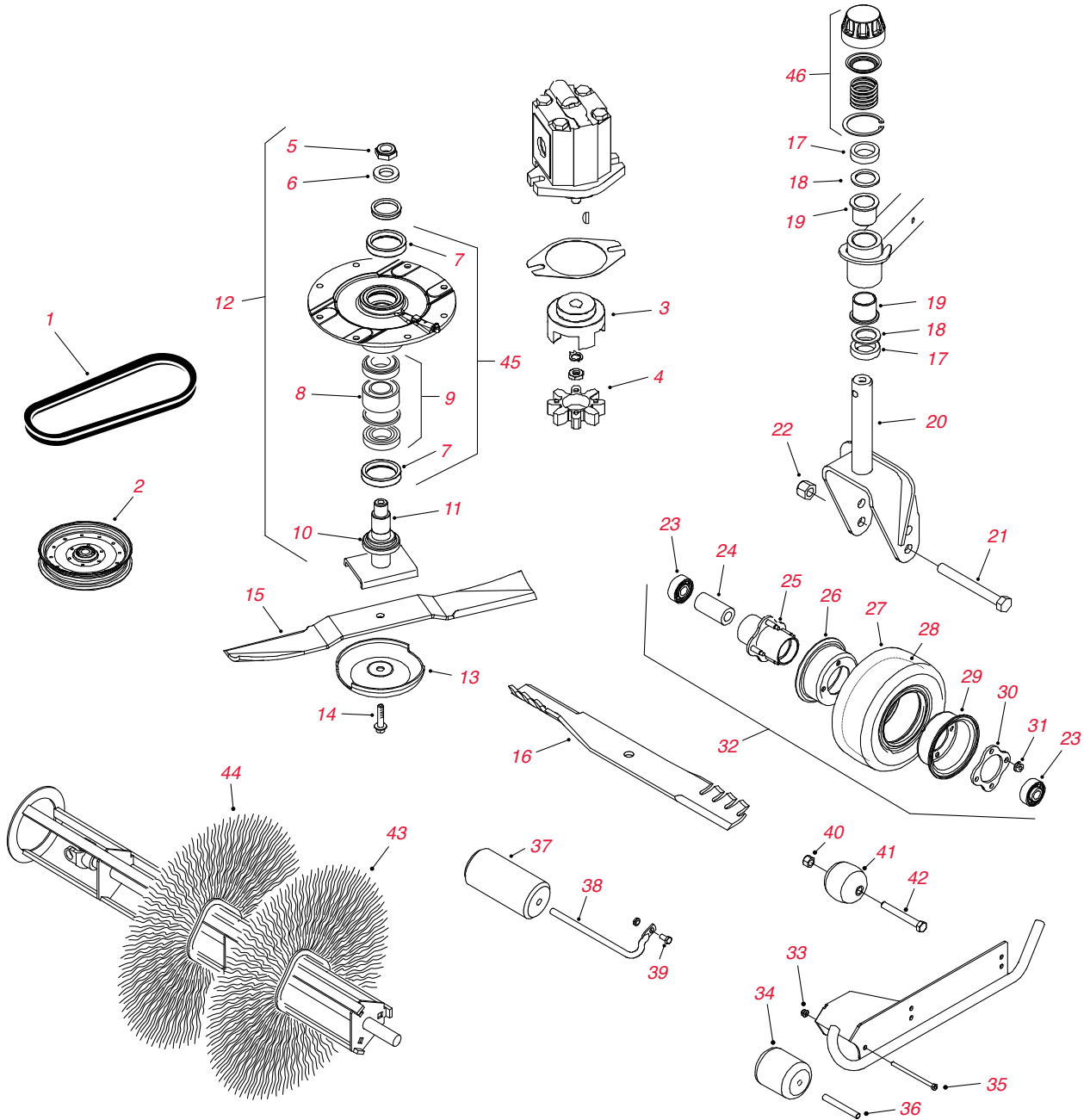
Ref. No.	Part No.	Description	Qty.
1	55-7660	V-BELT - SPINDLE DRIVE (GM 4000D)	1
2	99-5493	PULLEY - IDLER	4
3	104-3541	HUB - SPIDER	1
4	104-3542	SPIDER	1
5	3296-60	NUT - LOCK	1
6	104-8322	WASHER - HARDENED	1
7	253-154	SPINDLE SEAL	2
8	104-3549	ORDER 120-5577	1
	120-5577	BEARING SPACER SET	
9	26-1830	ORDER 110-8297	1
9	110-8297	SPINDLE BEARINGS & SPACERS SET	1
10	104-3554	SPINDLE SHAFT	1

Cutting Unit Parts - continued

Ref. No.	Part No.	Description	Qty.
11	92-9800	ORDER 69-6950	1
11	69-6950	SPACER - SPINDLE	1
*	104-3532**	ORDER 119-4776	
*	119-4776**	Deck Spindle MVP Kit (Rear Discharge & Guardian Recycler)	A/R
*	104-3530	ORDER 119-4548	
12	119-4548	SPINDLE ASSEMBLY (DOUBLE DRIVEN)	1
*	104-3531	ORDER 119-4549	
12	119-4549	SPINDLE ASSEMBLY (HIGH DRIVEN)	1
13	72-9361	CUP ANTI-SCALP	1
14	92-5816	BOLT - BLADE	3
15	92-5608-03	STANDARD BLADE - 21.75" (132" DECK - GM 4000D)	3
*	117-2722	Blade Service Pack (7 Blades 92-5608-03)	1
15	106-7166-03	STANDARD BLADE - 19" (124" DECK - GM 4100D)	3
15	110-6115-03	FLAT SAIL BLADE - 21.75" (132" DECK - GM 4000D)	3
*	110-6130	Blade Service Pack (7 Blades 110-6115-03)	1
15	110-6116-03	FLAT SAIL BLADE - 19" (124" DECK - GM 4100D)	3
*	110-6140	Blade Service Pack (7 Blades 110-6116-03)	1
16	107-0214-03	ATOMIC BLADE - 21.75" (132" DECK - GM 4000D)	7
*	108-1450	Blade Service Pack (7 Blades 107-0214-03)	1
16	107-0215-03	ATOMIC BLADE - 19" (124" DECK - GM 4100D)	7
*	108-1451	Blade Service Pack (7 Blades 107-0215-03)	1
*	136-4370-03	MEDIUM SAIL BLADE - 21.75" (132" DECK - GM 4000D)	
	137-5500	Blade Service Pack (7 Blades 136-4370-03)	
17	69-1510	SPACER	24
18	69-6860	WASHER - THRUST	8
19	104-8340	ORDER 69-6470	8
19	69-6470	BUSHING - FLANGE	8
20	104-0762-01	CASTER FORK ASSEMBLY (GM 4000D)	1
21	327-24	SCREW - HEX HD	1
22	3296-53	NUT - HEX	1
23	93-4237	ORDER 120-5378	1
23	120-5378	BEARING	2
24	93-4241	SPACER	1
25	93-5980	HUB	1
26	93-4239	RIM HALF	1
27	93-9939	8" TIRE	1
28	68-8950	8" INNER TUBE	1
29	95-2741	RIM HALF	1
30	93-4242	PLATE	1
31	32128-16	NUT - LOCK	4
32	93-9938	8" WHEEL ASSEMBLY	1
32	93-5974	8" FOAM FILLED WHEEL ASSEMBLY (OPTIONAL)	1
*	3274-105	SCREW-HSBH, FRONT WHEEL & BRAKE ASM	1
33	104-8300	NUT - FLANGE	1
34	93-4803	ROLLER - CENTER DECK (GM 4000D)	1
35	322-29	SCREW - HEX HD	1
36	105-4549	SPANNER	1
37	68-6710	ROLLER - CENTER DECK (GM 4100D)	1
38	68-6840	SHAFT - ROLLER	1
39	3234-11	SCREW - HEX FLANGE HD	1
40	3296-25	NUT - HEX	6
41	29-4820	ROLLER	6
42	325-17	SCREW - HEX HD	6
43	94-7372	BRUSH ELEMENT - POLY	32
44	95-5942	BRUSH ELEMENT - WIRE	32
45	104-3552	ORDER 119-4546	1
45	119-4546	SPINDLE HOUSING ASSEMBLY	1
46	92-9727	CAP ASSEMBLY - HEIGHT OF CUT	2

GROUNDMASTER

GROUNDMASTER® 4000D / 4100D



Cutting Unit Parts - continued

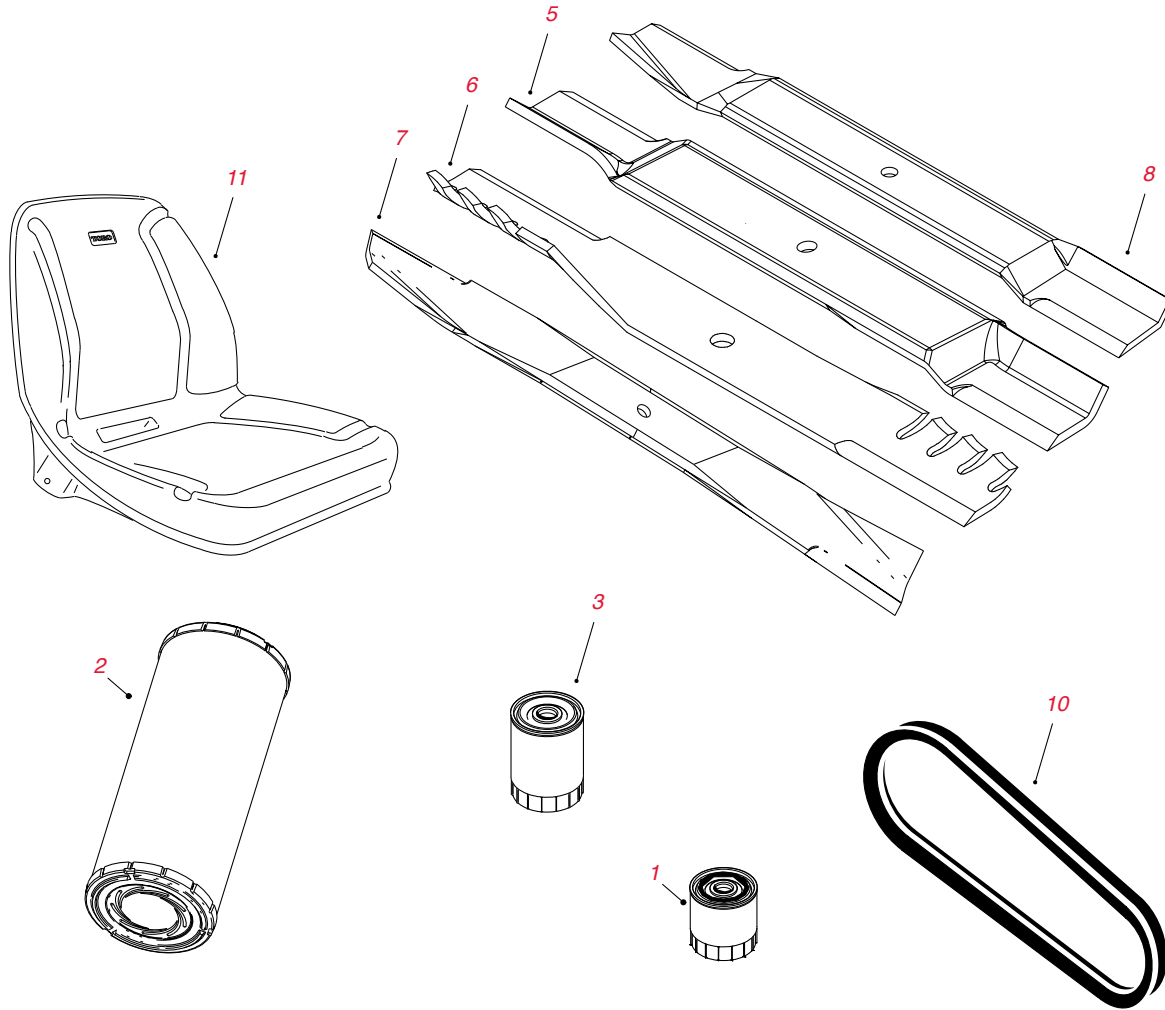
Ref. No.	Part No.	Description	Qty.
*	100-3017	PIN - ARM, LIFT	2
*	100-3020	ORDER 120-5575	2
*	120-5575	PIN	2
*	100-3032	LH LIFT ARM ASM	1
*	100-5605-01	RH SKID ASM	1
*	100-5612-01	LH SKID ASM (2001-2012)	1
*	100-5620-01	RH SKID ASM (2001-2012)	1
*	100-5674	PIN ASM	2
*	100-8125-01	LH SKID ASM (GM 4000 2001-2012)	1
*	100-8138	SPRING - COMPRESSION (GM 4000)	2
*	104-0705-03	YOKE - JOINT	2
*	104-2200-01	CHAMBER - CENTER	1

Cutting Unit Parts - continued

Ref. No.	Part No.	Description	Qty.
*	104-2201-01	CHAMBER - RH (GM 4000)	1
*	104-2202-01	CHAMBER - LH (GM 4000)	1
*	104-2203-01	OUTER - CHAMBER ASM (GM 4000 2001-2009)	1
*	104-2204-01	CHAMBER - INNER	1
*	104-2205-01	CHAMBER - INNER	1
*	104-2250-01	SKID- SIDE	1
*	104-3545	PULLEY - DRIVING	1
*	104-7520	SPRING - DAMPER	2
*	104-7521	BUSHING	4
*	104-7529-01	BRACKET - CASTOR	2
*	104-8341	BUSHING - STRAIGHT	2
*	105-2806	END - ROD	2
*	105-2809	TUBE - LINK	2
*	105-3249	DAMPER	2
*	105-4548	SHAFT - SPRING	2
*	105-7443	SPACER - PILOT (GM 4100)	4
*	105-7468	STUD - TAPERED (GM 4100)	1
*	105-7482	PIN - LATCH	2
*	106-4269	PULLEY - DRIVE, DOUBLE	1
*	106-4317	SUPPORT - SPRING (GM 4100)	2
*	106-7171	ORDER 131-4293	4
*	131-4293	PIN PIVOT (MODELS 30447/30449)	4
*	107-0245	SEAL KIT, STEERING CYLINDER ASM	1
*	107-0249	SEAL KIT, HYDRAULIC CYLINDER ASM	1
*	107938	SPRING - EXTENSION	2
*	108-1471	RH REAR ARM ASM	1
*	108-1473	LH REAR ARM ASM	1
*	108-1475-03	BELL CRANK- RH	1
*	108-1476-03	BELL CRANK- LH	1
*	114-3848	COUPLER - SPRING, FLYWHEEL	1
*	114-5596	BUSHING - STRAIGHT	1
*	114-5640-03	JOINT YOKE ASM	2
*	114-5680	BUSHING - FLANGE	2
*	115-5469	BUSHING - FLANGE	2
*	256-76	BUSHING	2
*	32121-110	PIN- ROLL, SLOTTED	2
*	32144-1	SCREW- TAPTITE	4
*	3220-5	NUT - JAM	4
*	3234-42	SCREW - HHF	2
*	325-13	SCREW - HH	2
*	3296-45	NUT - LOCK, NI	2
*	3296-51	NUT - LOCK, NI	2
*	86-2120	ROLLER - LOCK (GM 4100)	4
*	86-8101-01	JOINT - BALL, LH	2
*	92-2739	PIN - CLEVIS	2
*	92-7750-01	FORK - CASTOR (GM 4100)	4
*	92-8861	CAP - HOC	1
*	92-9726	SPRING - COMPRESSION	1
*	93-4583-01	MOUNT - JOINT, BALL	2
*	99-3139	NUT	2
*	104-8331	END - ROD, SPHERICAL	4
*	105-2808	END - ROD	4
*	100-3031	RH LIFT ARM ASM	1
*	119-4547	DRIVING SPINDLE ASM	1

GROUNDMASTER

GROUNDMASTER® 4300D



Traction and Cutting Unit Parts

Ref. No.	Part No.	Description	Qty.
1	94-2621	HYDRAULIC OIL FILTER (TANK)	1
1	86-3010	HYDRAULIC OIL FILTER (PUMP)	1
2	108-3812	AIR FILTER	1
3	110-9049	FUEL FILTER (SPIN-ON)	1
4	108-3841	ENGINE OIL FILTER	1
*	30055**	400 Hour Filter Mvp Kit (2008-2012)	A/R
*	30093**	800 Hour Filter Mvp Kit (2013 & Up)	A/R
5	114-0434-03	22" HIGH LIFT BLADE	A/R
6	114-0435-03	22" ATOMIC BLADE	A/R
7	117-0209-03	22" ANGLE SAIL BLADE	A/R
8	108-7395-03	22" COMBO BLADE	A/R
*	119-6957	Service Pack - Combo Blade (5X #108-7395-03)	A/R
*	115-3435	SPINDLE ASM	1
*	136-2921	PLATE ASM - HOC	
*	117-0297	SECTIONAL ROLLER ASSEMBLY	A/R
10	98-9676	V-BELT (FAN AND ALTERNATOR)	1
11	104-4620	SEAT	1
*	92-8991	ADJUSTER - SEAT ASM	1
*	108-0638	BOTTLE-OVERFLOW	1
*	117-0172	SCREW-HH	1
*	87-3470	BUMPER	1
*	115-3434	SPINDLE	1
*	115-3435	SPINDLE ASM	1
*	125-2011	ORDER 136-2921	1
*	136-2921	HOC PLATE ASM	3

Traction and Cutting Unit Parts - continued

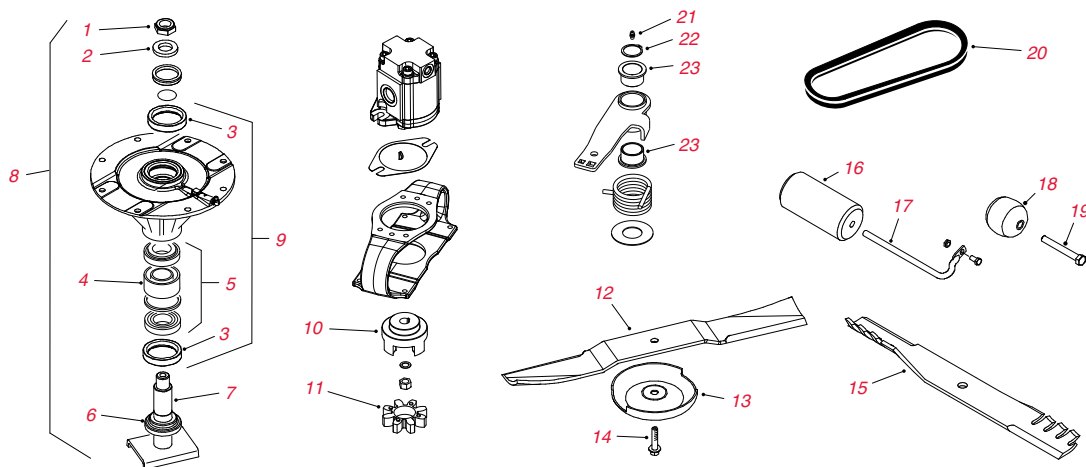
Ref. No.	Part No.	Description	Qty.
*	104-1051-03	PLATE - SPINDLE	1
*	104-1052-03	BRACKET - HOC, FRONT	1
*	104-4641	SHIM - HOC, .030"	3
*	105-1215	HOSE - HYD	4
*	106-3662	HOSE - HYD (2010 & UP)	4
*	106-5269	IGNITION SWITCH ASM	1
*	107-4544	HYD MOTOR ASM	1
*	107-7816	BRACKET - SKID	2
*	108-1825	HYD MANIFOLD ASM	1
*	108-7373	ORDER 138-1227	1
*	138-1227	CHAMBER ASM	1
*	108-7624	TUBE ASM	1
*	108-7625	TUBE ASM	1
*	110-0901	HYD MOTOR ASM	1
*	114-0403	HYD STEERING CYLINDER ASM	1
*	114-0440-03	SUPPORT - DECK	1
*	117-0132	PIN	6
*	117-0148	PIN - CYLINDER	3
*	117-0208	SHAFT - PIVOT, LIFTARM	2
*	117-3290	NUT - HEX	2
*	119-6989	HYD CYLINDER ASM	1
*	119-6990	HYD CYLINDER ASM	1
*	119-6991	HYD CYLINDER ASM	1
*	120-6260	RH BRAKE ASM	1
*	120-6261	LH BRAKE ASM	1
*	120-6274	MOUNT-ENGINE	4
*	121-5631	HUB ASM	2
*	133-2934	HYDRAULIC MOTOR ASM	1
*	133-2935	HYDRAULIC MOTOR ASM	1
*	32144-4	SCREW - HWH	1
*	325-12	SCREW - HH	8
*	327-7	SCREW - HH	3
*	340-139	FITTING - ELBOW 90	2
*	353-781	FITTING - ELBOW	2
*	74-3650	FAN	1
*	117-0289	MVP Hydraulic Hose Kit	A/R
*	100-1535	SWITCH	1
*	131-6691	SEAT COVER, LARGE	1
*	137-1312	MESH SEAT COVER, LARGE	1
*	117-0213	HYD HOSE ASM (GM 4300 2010 & UP)	1
*	117-0211	HYD HOSE ASM (GM 4300 2010 & UP)	1
*	117-0299	HYD HOSE ASM (GM 4300 2011 & UP)	4
*	108-1672	MANIFOLD - TUBE (GM 4300 2010 & UP)	1
*	119-6972	VARIABLE HYDRAULIC PUMP ASM (GM 4300)	1
*	110-8882	VALVE - RELIEF, CROSS OVER (GM 4300)	1
*	125-2169	ENGINE - KUBOTA, V1505T (GM 4300)	1
*	108-6507	HOSE - HYD (GM 4300 2010 & UP)	2
*	117-0118	PIVOT ASM (GM 4300 2010 & UP)	A/R
*	117-8972	FAN CLUTCH ASM (GM 4300 2010 & UP)	1
*	114-0385-03	ARM NO. 5 ASM (GM 4300 2010 & UP)	1
*	114-0384-03	ARM NO. 4 ASM (GM 4300 2010 & UP)	1
*	114-0381-03	ARM NO. 1 ASM (GM 4300 2010 & UP)	1
*	114-0382-03	ARM NO. 2 ASM (GM 4300 2010 & UP)	1
*	108-7384-03	CARRIER FRAME ASM (GM 4300 2010 & UP)	3
*	114-0383-03	ARM NO. 3 ASM (GM 4300 2010 & UP)	1
*	112-9919	STOP - CABLE, THROTTLE (GM 4300 2010 & UP)	1
*	32121-3	PIN - SPRING	1
*	114-0430	TUBE - SEG, ROLLER (GM 4300 2010 & UP)	2
*	106-5270	IGNITION KEY SET	1
*	106-5269	IGNITION SWITCH ASM	1
*	117-9507	PEDAL - ACCELERATOR	1

GROUNDMASTER

GROUNDMASTER® 5900D / 5910

Traction Unit Parts

	Part No.	Description	Qty.
FILTERS			
	30041**	400 Hour Filter MVP Kit	A/R
	130-8860	ELEMENT - ENGINE OIL FILTER	1
	115-8877	ELEMENT - AIR FILTER (INNER)	1
	115-8887	ELEMENT - AIR FILTER (OUTER)	1
	115-5471	ELEMENT - FUEL/WATER SEPARATOR	1
	115-8867	ORDER 117-2792	1
	117-2792	ELEMENT - FUEL FILTER	1
	86-6110	ELEMENT - HYDRAULIC OIL FILTER (MAIN)	1
	75-1310	ELEMENT - HYDRAULIC OIL FILTER (PTO)	1
	93-2242	FILTER - OIL	1
TIRES			
	114-4861	TIRE - FRONT (29 X 12.5- 15) 10-PLY MULTI-TRAC	2
	112-7305	ORDER 121-9072	
	121-9072	TIRE - REAR (23 X 10.5- 12) 6-PLY MULTI-TRAC	2
	93-4243	TIRE	10
BEARINGS			
	See Quick Reference Guide for detailed information on bearing replacements for this model. Page 30-38		
	93-4237	ORDER 120-5378	
	120-5378	BEARING	20
	2411-36	BEARING - END, ROD	1
STARTER & ALTERNATORS			
	115-8861	STARTER ASSEMBLY	1
	115-8850	ORDER 117-5419	1
	117-5419	ALTERNATOR ASSEMBLY	1
SEAT			
	131-6691	SEAT COVER, LARGE	1
	137-1312	MESH SEAT COVER, LARGE	1
OTHER			
	100-3069	RH BRAKE ASM	1
	100-3070	LH BRAKE ASM	1
	105-3249	DAMPER	1
	340-139	FITTING - ELBOW 90	1
	104-3563	INDICATOR	1
	105-2806	END-ROD, WING CONNECTION	2
	114-5596	BUSHING - STRAIGHT, WING LIFT	2
	114-5640-03	JOINT YOKE ASM, WING CONNECTION	2
	114-5680	BUSHING - FLANGE, WING LIFT	2
	115-5469	BUSHING - FLANGE, WING LIFT	2
	121-3882	SHAFT - PIVOT, LIFTARM	2
	321-10	SCREW-HH, PARKING BRAKE	8
	32136-2	NUT - SHH, TIE ROD	1
	3234-42	SCREW - HHF, FUEL TANK	2
	325-12	SCREW - HH, FRONT AXLE	2
	3296-51	NUT - LOCK, NI	2
	92-9726	SPRING - COMPRESSION	1
	99-3139	NUT, WING CONNECTION	2
	99-3641	CLAMP - TUBE, HYDRAULIC PLUMBING	6
	106-9288	SENSOR - PROXIMITY, FERROUS	2
	93-9999	SWITCH - PTO	1
	100-1535	SWITCH	1
	104-2281	SHAFT - PIVOT	2
	104-0108	U-BOLT	2
	256-304	WASHER - THRUST	4
	95-9648	KNOB	2
	121-3874	CASTOR WRENCH ASM	1
	106-5270	IGNITION KEY SET	1
	106-5269	IGNITION SWITCH ASM	1
	114-3315	SOLENOID	1
	340-6	FITTING - STRAIGHT	1
	104-0720	SPACER	2



Cutting Unit Parts

Ref. No.	Part No.	Description	Qty.
1	3296-60	NUT - HEX	1
2	104-8322	WASHER - HARDENED	1
3	253-154	SEAL-OIL	2
4	104-3549	ORDER 120-5577	1
4	120-5577	SPACER SET	1
5	110-8297	BEARING KIT (MATCHED SET)	1
6	69-6950	SPACER - SPINDLE SHAFT	1
7	104-3554	SHAFT - SPINDLE	1
	104-3530	ORDER 119-4548	
8	119-4548	SPINDLE ASSEMBLY - DOUBLE DRIVEN	1
	104-3531	ORDER 119-4549	
8	119-4549	SPINDLE ASSEMBLY - HIGH DRIVEN	1
9	104-3552	ORDER 119-4546	1
9	119-4546	SPINDLE HOUSING ASSEMBLY	1
10	104-3541	HUB-SPIDER	3
11	104-3542	SPIDER	3
	110-5946-03	STANDARD BLADE - 20"	1
*	115-8896	Blade Service Pack (11 Blades 110-5946-03)	1
13	72-9361	CUP - ANTI SCALP	1
14	92-5816	BOLT - BLADE	1
15	110-5948-03	ATOMIC BLADE - 20"	1
*	114-0897	Blade Service Pack (11 Blades 110-5948-03)	1
16	68-6710	ROLLER	1
17	68-6840	SHAFT - ROLLER	1
18	29-4820	ROLLER	6
19	325-17	SCREW - HEX HD	6
20	112-7376	V-BELT - CENTER DECK SPINDLE DRIVE	1
20	112-7377	V-BELT - CENTER & WING DECK SPINDLE DRIVE	6
21	302-5	FITTING GREASE	2
22	32120-84	RING - RETAINING (EXTERNAL)	8
23	93-4510	BUSHING - FLANGE	14
*	115-8898**	Standard Blade & Belt MVP Kit (Center & Wing Decks)	A/R
*	132-1440**	Blade & Belt MVP Kit	A/R
*	01-268-0160	PULLEY - IDLER	2
*	100-3017	PIN - ARM, LIFT	2
*	104-3545	PULLEY - DRIVING	1
*	104-8331	END - ROD, SPHERICAL	1
*	105-7468	STUD - TAPERED	1
*	108-1924	SPACER - IDLER	2
*	115-3366	ROLLER	2
*	110-5999-01	CASTOR FORK ASM	2
*	119-4547	DRIVING SPINDLE ASM	1
*	130-9151-03	STANDARD BLADE- 20" (Tier4)	1
*	132-1390-03	ATOMIC BLADE - 20" (Tier4)	1
*	132-1391	ATOMIC BLADE SERVICE PACK, (11 BLADES 132-1390-03) TIER4	A/R
*	132-1392	STANDARD BLADE SERVICE PACK (11 BLADES 130-9151-03) TIER4	A/R
*	92-8861	CAP HOC	1

*Not illustrated. **Not sold separately. See pages 20-33 for kit contents. Prices subject to change without notice. Please see your Parts Catalog or Master Parts Viewer to ensure the correct part is ordered, as the part you need may not be listed above. toro.com/parts

GROUNDMASTER

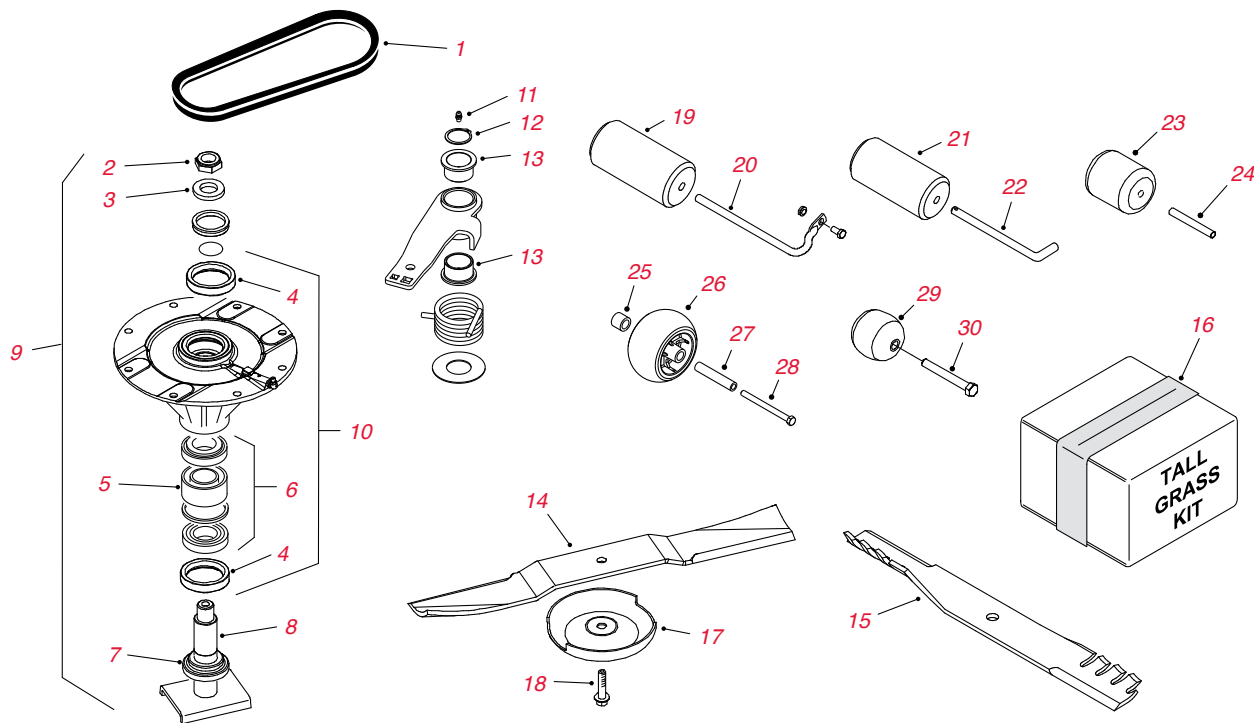
GROUNDMASTER® 7200 / 7210

Traction Unit Parts

	Part No.	Description	Qty.
FILTERS			
	30037**	400 Hour Filter MVP Kit (2007)	A/R
	30052**	400 Hour Filter MVP Kit (2008-2014)	A/R
	108-3841	FILTER - ENGINE OIL	1
	108-3810	FILTER - AIR CLEANER ELEMENT	1
	98-7612	IN-LINE FUEL FILTER, PLASTIC	1
	108-3828	IN-LINE FUEL FILTER, METAL	1
	98-9764	ELEMENT - SEPARATOR (2007)	1
	110-9049	ELEMENT - SEPARATOR (2008 & UP)	1
	112-9140	BIO-DIESEL FUEL FILTER KIT	1
	112-8400	BIO-DIESEL FUEL PUMP KIT	1
	110-9015	ELEMENT - SEPARATOR (BIO-DIESEL KIT)	1
	108-5194	FILTER - TRANSMISSION OIL	1
	98-9493	ELEMENT-BREATHER (7210)	1
BELTS			
	98-9676	V-BELT - ALTERNATOR DRIVE	1
TIRES			
	106-7868	ORDER 131-6673	2
	131-6673	TIRE -REAR (24 X 12 - 12) 6-PLY	2
	103-6771	TIRE - REAR (24 X 12 - 12) 6-PLY LUG TREAD	2
	108-9955	TIRE - CASTER WHEEL	2
BEARINGS			
	See Quick Reference Guide for detailed information on bearing replacements for this model. Page 30-38		
	254-107	BEARING CUP	4
	254-106	BEARING CONE	4
STARTER & ALTERNATORS			
	131-6557	ALTERNATOR ASM	1
	98-9705	STARTER ASM	1
SEAT			
	131-6691	SEAT COVER, LARGE	1
	137-1312	MESH SEAT COVER, LARGE	1
OTHER			
	117-5135	RADIATOR ASM	1
	108-0638	BOTTLE-OVERFLOW	1
	115-5305	CAP-FUEL	1
	104-4246	FAN - ENGINE	1
	100-1535	SWITCH	1
	93-9999	PANEL - CONTROL	1
	110-3575	DRIVESHAFT ASM	1
	104-0108	U-BOLT (GM 7210)	4
	32128-37	NUT - HF	6
	86-6560	WASHER - THRUST (GM 7210)	1
	121-3874	CASTOR WRENCH ASM (GM 7210)	1
	340-6	FITTING - STRAIGHT	1

GROUNDMASTER

GROUNDMASTER® 7200 / 7210



Cutting Unit Parts

Ref. No.	Part No.	Description	Qty.
1	110-9595	V-BELT - 62" GUARDIAN - LEFT SPINDLE DRIVE	1
1	110-9594	V-BELT - 62" GUARDIAN - RIGHT SPINDLE DRIVE	1
1	110-9593	V-BELT - 72" GUARDIAN - LEFT SPINDLE DRIVE	1
1	110-9592	V-BELT - 72" GUARDIAN - RIGHT SPINDLE DRIVE	1
1	110-9591	V-BELT - 72" SIDE DISCHARGE - LEFT SPINDLE DRIVE	1
1	110-9590	V-BELT - 72" SIDE DISCHARGE - RIGHT SPINDLE DRIVE	1
2	3296-60	NUT - HEX	3
3	104-8322	WASHER - HARDENED	3
4	253-154	SEAL-OIL	3
5	104-3549	ORDER 120-5577	3
5	120-5577	SPACER SET (62/72" GUARDIAN)	3
6	26-1830	ORDER 110-8297	3
6	110-8297	BEARING KIT (MATCHED SET)	3
7	69-6950	SPACER - SPINDLE SHAFT	3
8	104-3554	SHAFT - SPINDLE (62/72" GUARDIAN)	3
	104-3532**	ORDER 119-4776	
9	119-4776**	Spindle Assembly - Low Driven (62/72" Guardian)	1
	104-3530	ORDER 119-4548	
9	119-4548	SPINDLE ASSEMBLY - DOUBLE DRIVEN (62/72" GUARDIAN)	1
	104-3531	ORDER 119-4549	
9	119-4549	SPINDLE ASSEMBLY - HIGH DRIVEN (62/72" GUARDIAN)	1
	108-1957	ORDER 119-4778	
9	119-4778	SPINDLE ASSEMBLY - RH (72" SD)	1
10	104-3552	ORDER 119-4546	3
	119-4546	SPINDLE HOUSING ASSEMBLY (62/72" GUARDIAN)	
11	302-5	FITTING-GREASE	2
12	32120-84	RING - RETAINING	2

Cutting Unit Parts - continued

Ref. No.	Part No.	Description	Qty.
13	93-4510	BUSHING - CASTER	4
	108-1958-03	ORDER 121-5347-03	
14	121-5347-03	STANDARD BLADE - 25" (72" RD & GUARDIAN REC 2005 & UP)	3
*	105-7271**	Standard Blade & Belt MVP Kit (72" Guardian Recycler)	A/R
14	92-5608-03	STANDARD BLADE - 21.75" (62" GUARDIAN)	3
*	105-7270**	Standard Blade & Belt MVP Kit (62" Guardian Recycler)	A/R
14	110-0621-03	MEDIUM FLOW BLADE - 24.5" (72" SD)	3
*	105-7272**	Medium Sail Blade & Belt MVP Kit (72" Side Discharge)	A/R
14	110-0622-03	HIGH FLOW BLADE - 24.5" (72" SD)	3
15	112-9586-03	FLAT BLADE - 24.5" (72" SD)	3
16	105-7269**	Tall Grass MVP Kit (62" & 72" Guardian Recycler)	A/R
17	72-9361	CUP - ANTI SCALP	3
18	92-5816	BOLT - BLADE	3
19	68-6710	ROLLER	1
20	68-6840	SHAFT - ROLLER	1
21	36-1740	ROLLER - DECK (72" SD)	2
22	40-0340	SHAFT - REAR ROLLER	2
23	93-4803	ROLLER - DECK (72" SD)	1
24	105-4549	SPACER - ROLLER	1
25	98-7913	TUBE - SPACER	2
26	1-603299	ROLLER - ANTI SCALP	2
27	98-7912	TUBE - SPANNER	2
28	323-23	SCREW - CAP HEX HD	2
29	29-4820	ROLLER - DECK (62"/72" GUARDIAN)	2
30	325-18	SCREW - CAP HEX HD	2
*	01-268-0160	PULLEY - IDLER (72" SD)	1
*	105-0887	BELT - DRIVE, PTO (60" SD)	1
*	108-1924	SPACER - IDLER (62"/72" SD)	2
*	114-5680	BUSHING - FLANGE	2
*	132-9421	PULLEY - IDLER, FLAT (62"/72" SD)	1
*	1-523420	BUMPER	1
*	321-10	SCREW - HH	2
*	32121-110	PIN - ROLL, SLOTTED	1
*	32144-4	SCREW - HWH	2
*	3234-42	SCREW - HHH	1
*	325-13	SCREW - HH	2
*	327-7	SCREW - HH	1
*	3296-45	NUT - LOCK, NI	2
*	3296-51	NUT - LOCK, NI	5
*	353-781	FITTING - ELBOW	2
*	67-6920	V-BELT (60" SD)	1
*	132-1319	BLADE- HIGH FLOW (19")	A/R
*	110-9683	SHAFT - REAR ROLLER	1

GROUNDMASTER

GROUNDMASTER® 360

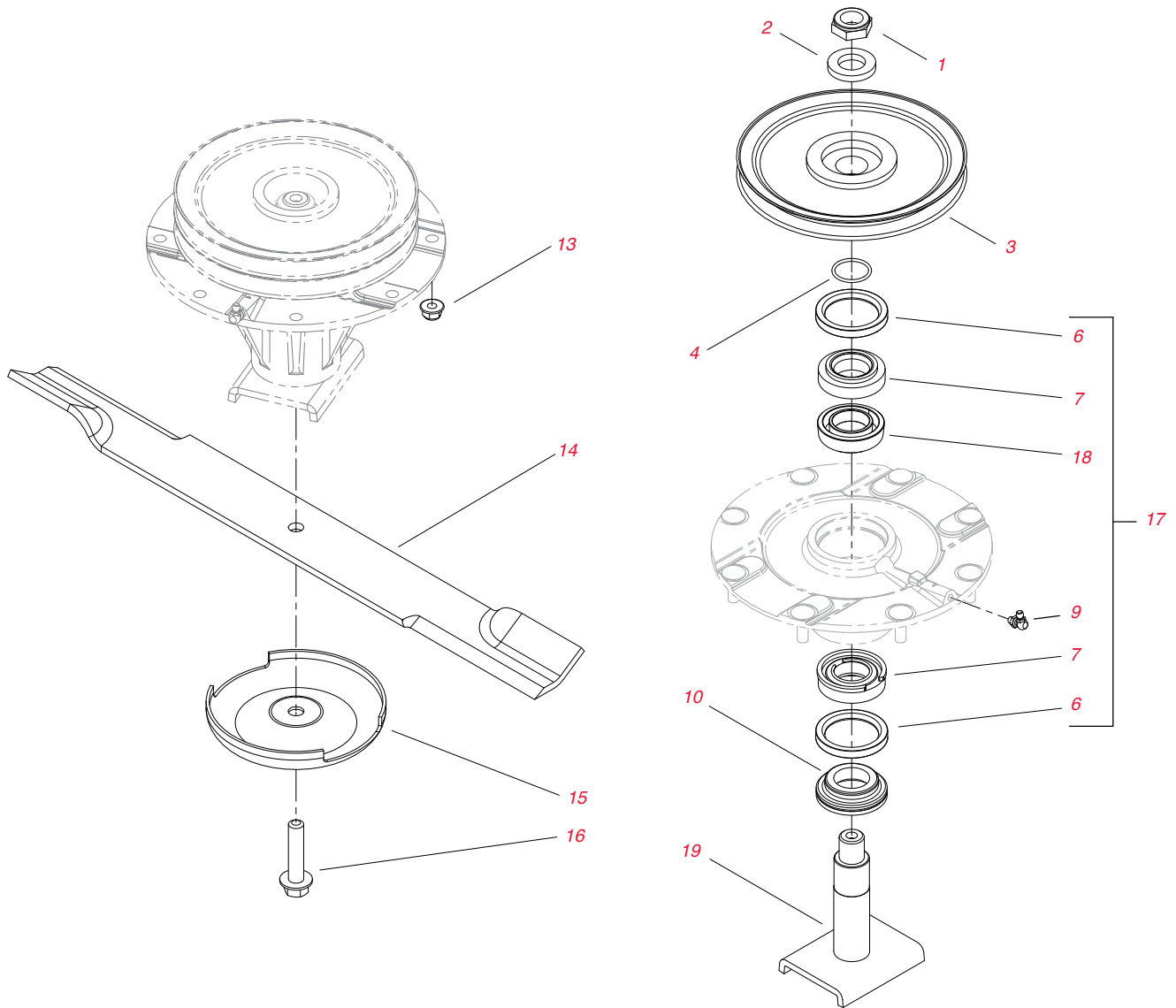
Traction Unit Parts

	Part No.	Description	Qty.
FILTERS			
	108-5194	HYDRAULIC OIL FILTER	1
	108-3810	AIR FILTER	1
	108-3841	OIL FILTER	1
	110-9049	FILTER - SPIN ON	1
BELTS			
	115-0123	V-BELT, ENGINE COMPONENT ASSEMBLY	1
	117-3399	V-BELT, AIR CONDITIONING ASSEMBLY	1
	110-9592	V-BELT, 72" GUARDIAN DECK - RIGHT SPINDLE DRIVE	1
	110-9593	V-BELT, 72" GUARDIAN DECK - LEFT SPINDLE DRIVE	1
	110-9591	V-BELT, 72" SD DECK - LEFT SPINDLE DRIVE	1
	110-9590	V-BELT, 72" SD DECK - RIGHT SPINDLE DRIVE	1
TIRES			
	121-9072	TIRE (23 x 10.5 - 12) 6-PLY	2
	136-5375	TIRE (23 X 10.50 - 12) 4-PLY - HIGH TRACTION	2
BEARINGS			
	See Quick Reference Guide for detailed information on bearing replacements for this model. Page 30-38		
	254-72	BEARING-CUP	2
	254-92	CONE- BEARING, OUTER	2
STARTER & ALTERNATORS			
	117-5541	ALTERNATOR	1
	98-9705	STARTER	1
SEAT			
	131-6691	SEAT COVER, LARGE	1
	137-1312	MESH SEAT COVER, LARGE	1
OTHER			
	105-4320	SWITCH	1
	108-0638	BOTTLE-OVERFLOW	1
	125-1984	SPACER, HYDRAULIC DRIVE ASM	5
	115-5305	CAP-FUEL	1
	112-9185	HOSE ASM	1
	353-781	FITTING - ELBOW	2
	100-1535	SWITCH	1

Traction Unit Parts

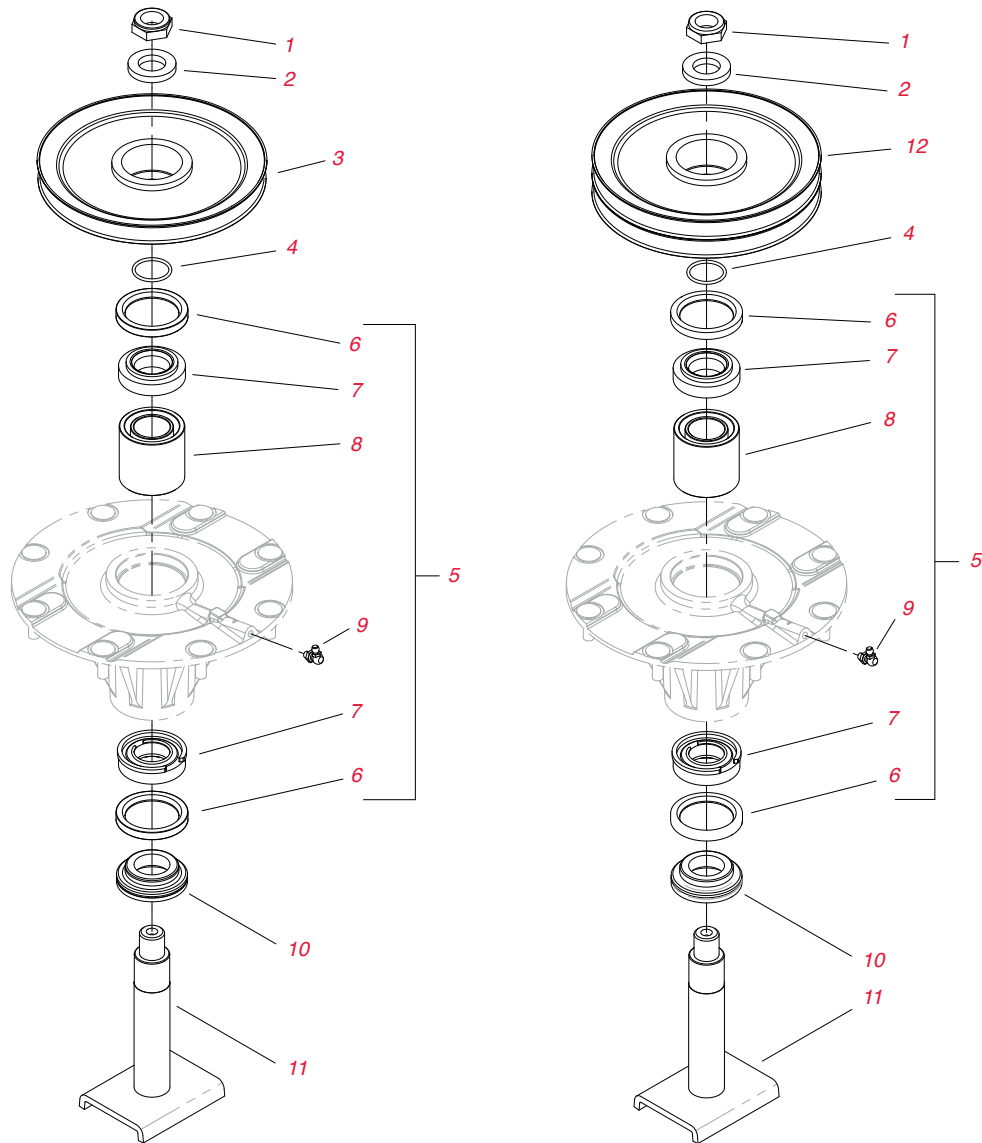
	Part No.	Description	Qty.
FILTERS			
	30052**	400-Hour Filter Maintenance Kit, Groundsmaster 7200 Traction Unit	
	108-3810	FILTER-AIR	1
	114-4057	ELEMENT-SAFETY, 5"	1
	127-0511	ORDER 108-3841	1
	108-3841	FILTER - OIL	1
	110-9049	FILTER-SPIN ON	1
	108-5194	FILTER-OIL, HYD	1
BELTS			
	110-9592	V-BELT	1
	110-9593	V-BELT	1
	115-0123	V-BELT	1
	98-9676	V-BELT	1
BEARINGS			
	See Quick Reference Guide for detailed information on bearing replacements for this model. Page 30-38		
	110-8297	BEARING ASM	2
	251-259	BEARING-BALL	2
	254-72	BEARING-CUP, TAPERED	2
TIRES			
	121-9072	TIRE (23 X 10.5 - 12) 6-PLY	2
STARTER & ALTERNATORS			
	131-6557	ALTERNATOR ASM	1
	98-9705	STARTER ASM	1
SEAT			
	131-6691	SEAT COVER, LARGE	1
	137-1312	MESH SEAT COVER, LARGE	1
OTHER			
	108-0638	BOTTLE-OVERFLOW	1
	125-1984	SPACER, HYDRAULIC DRIVE ASM	5
	100-1535	SWITCH	1
	104-4246	FAN - ENGINE	1
	32136-2	NUT - SHH	3
	108-6510	HOSE ASM	1
	108-6509	HOSE ASM	1
	110-3575	DRIVE SHAFT ASM	1
	104-0108	U-BOLT	4
	32128-37	NUT - HF	8
	86-6560	WASHER - THRUST	1
	121-3874	CASTOR WRENCH ASM	1

GROUNDMASTER
GROUNDMASTER® 360



Cutting Unit Parts

Ref. No.	Part No.	Description	Qty.
*	110-9592	V-BELT	1
*	110-9591	V-BELT	1
1	3296-60	NUT-LOCK, NI	1
2	104-8322	WASHER-HARDENED	1
3	104-3546	PULLEY-DRIVEN, LOW	1
3	104-3548	PULLEY-DRIVEN, HIGH	1
12	104-3547	PULLEY-DRIVEN, DOUBLE	1
4	106-7159	O-RING	1
5	119-4777	SPINDLE ASM	1
8	108-1954	BEARING SPACER SET	1
7	110-8297	BEARING ASM	1
6	253-154	SEAL-OIL	2
9	302-60	FITTING-GREASE	1
10	69-6950	SPACER-SHAFT, SPINDLE	1
11	108-1956	SHAFT ASM	1
13	104-8301	NUT-FLANGE	24
14	110-0621-03	BLADE-MEDIUM FLOW (24.5")	3
14	110-0624-03	BLADE-ATOMIC (24.5")	3
*	132-1319	BLADE - HIGH FLOW (19")	A/R



Cutting Unit Parts

Ref. No.	Part No.	Description	Qty.
15	72-9361	CUP-SCALP, ANTI	3
16	92-5816	BOLT-BLADE	3
17	119-4775	SPINDLE ASM (CAD)	1
18	104-3549	ORDER 120-5577	1
18	120-5577	BEARING SPACER SET (CAB)	1
19	104-3554	SPINDLE SHAFT ASM (CAB)	1
*	01-268-0160	PULLEY - IDLER	1
*	108-1924	SPACER - IDLER	2
*	114-5680	BUSHING - FLANGE	2
*	117-3290	NUT - HEX	1
*	1-523420	BUMPER (TRIPLE BAGGER HOPPER KIT)	1
*	2411-36	BEARING - END, ROD	2
*	32121-110	PIN - ROLL, SLOTTED	1
*	3234-42	SCREW - HHF	4
*	327-7	SCREW - HH	2
*	3296-45	NUT - LOCK, NI	2
*	92-8862	HOC CAP ASM	4
*	105-7443	SPACER PILOT	4



AERATORS

222 Hydroject® 3000 / 4000 Series

223 ProCore® 440 / 660 / 880

227 Turf Aerators 686 / 687

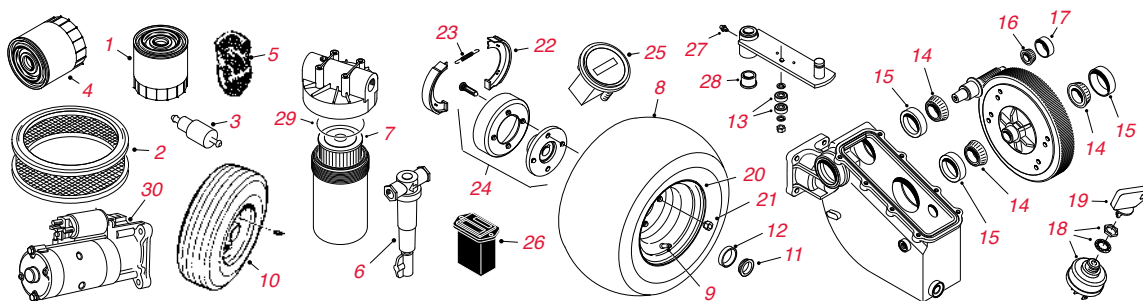
228 ProCore 648 / 864 / 1298

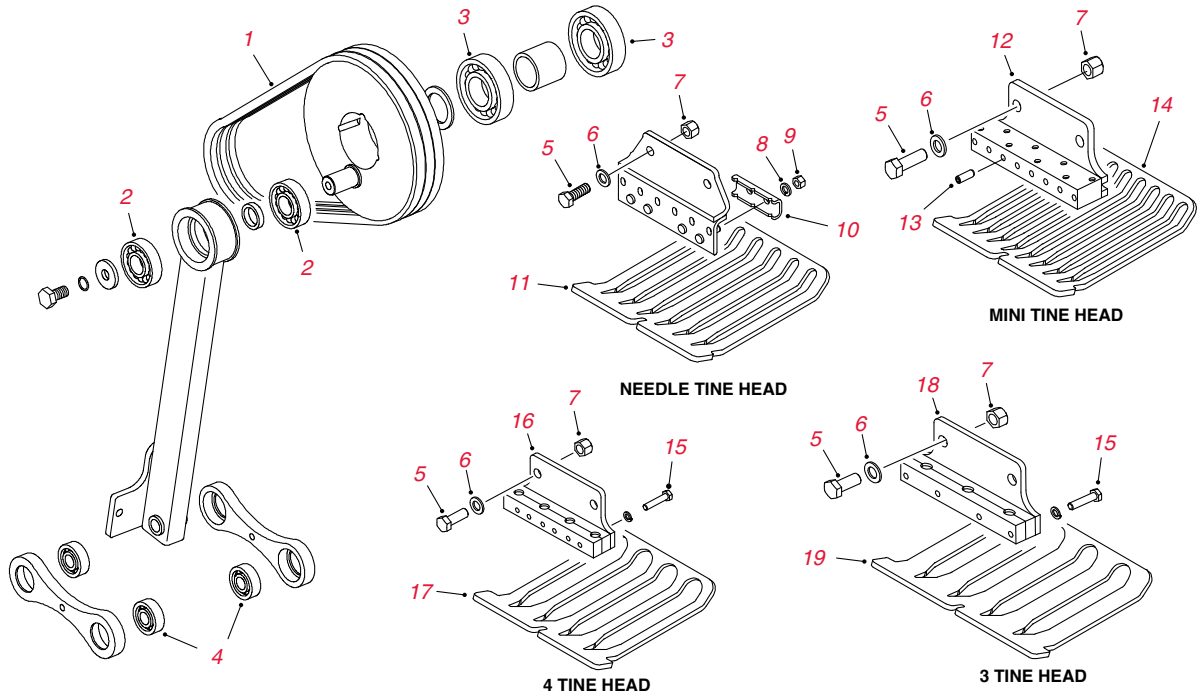
AERATORS

HYDROJECT® 3000 / 4000 SERIES

Hydroject 3000 / 4000 Series

Ref. No.	Part No.	Description	Qty.
1	57-8530	ORDER 108-3817	1
1	108-3817	FILTER - ENGINE OIL	1
2	82-0660	ELEMENT - AIR CLEANER	1
3	71-5960	FILTER - FUEL	1
4	67-8110	FILTER - TRANSMISSION	1
5	57-8580	ELEMENT - BREATHER	1
*	30008**	400 Hour Filter MVP Kit	A/R
6	86-9100	ASSEMBLY - PRE-FILTER	1
*	86-9120	BOWL - PRE-FILTER	1
*	86-9140	ELEMENT - PRE-FILTER	1
7	80-8590	ORDER 86-8630	1
7	86-8620	ORDER 86-8630	1
7	86-8630	ELEMENT - WATER FILTER (STANDARD)	1
7	80-9590	ELEMENT - WATER FILTER (25 MICRON)	1
8	231-64	ORDER 28-3680	3
8	28-3680	TIRE (18 X 9.5 - 8) 2-PLY SMOOTH (3000/3010)	3
8	231-83	ORDER 231-105	3
8	231-105	TIRE (16 X 6.5 - 8) 4-PLY RIBBED (4000 TONGUE HITCH)	3
*	70-9870	PLATE-BACKING	1
9	232-27	ORDER 5108	3
9	5108	VALVE STEM	3
10	94-8695	ORDER 108-9955	2
10	108-9955	TIRE (15 X 6-6) 2 PLY (HYDROTOTE TRAILER)	2
11	254-94	BEARING CONE	4
12	254-72	BEARING CUP	4
13	251-307	ORDER 251-259	2
13	251-259	BEARING - BALL (NEUTRAL ARM)	2
14	254-62	BEARING CONE	3
15	254-61	ORDER 115-9471	3
15	115-9471	BEARING CUP	3
16	254-68	BEARING CONE	1
17	254-67	BEARING CUP	1
18	27-2360	SWITCH W/HARDWARE	1
19	62-7770	KEY - IGNITION	1
20	217-60	RIM	3
21	242-50	NUT - LUG	12
22	70-9840	BRAKE SHOE NON-ASBESTOS (SINGLE SHOE)	2
23	70-9880	RETAINING SPRING	2
24	10-6821	BRAKE DRUM ASSEMBLY	1
25	66-2950	HOUR METER	1
26	75-6820	HOUR METER	1
27	302-5	FITTING - GREASE	1
28	256-113	BUSHING - FLANGE	2
29	237-176	ORDER 92-9545	1
29	92-9545	O-RING KIT	1
30	112-7023	STARTER	1
*	29-6162	SWITCH-MICRO	1





ProCore 440 / 660 / 880

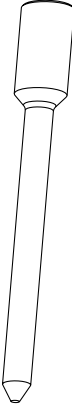
Ref. No.	Part No.	Description	Qty.
1	100-5392	V-BELT - STOMPER ARM DRIVE (660/880)	A/R
1	100-7644	V-BELT - STOMPER ARM DRIVE (440)	A/R
2	100-5386	BEARING - BALL (660/880)	2
2	100-7599	BEARING - BALL (440)	2
3	100-5396	BEARING - BALL (440/660/880)	6
4	100-7621	BEARING - BALL (440/660/880)	2
5	33118-045	SCREW - HEX HD	2
6	33098-00	WASHER - FLAT	2
7	33028-00	NUT - LOCK	2
8	3253-7	WASHER - LOCK	2
9	104-9914	NUT - HEX	4
10	104-0972	CLAMP - TINE	2
11	100-5418	TURF GUARD - 6-TINE (NEEDLE) HEAD 5 FINGER	A/R
11	100-5419	TURF GUARD - 6-TINE (NEEDLE) HEAD 7 FINGER	A/R
12	100-3693	MINI TINE HEAD ASSEMBLY	1
13	100-3694	SCREW - SET	8
14	100-5420	TURF GUARD - 8-TINE (MINI) HEAD 9 FINGER	A/R
15	33115-050	SCREW - HEX HD	4
16	100-3696	4-TINE HEAD ASSEMBLY	1
16	100-7617	HEAVY DUTY 4-TINE HEAD ASSEMBLY	1
17	100-5416	TURF GUARD - 4-TINE HEAD 5 FINGER	A/R
17	100-5417	TURF GUARD - 4-TINE HEAD 7 FINGER	A/R
18	100-3695	3-TINE HEAD ASSEMBLY	1
18	100-7618	HEAVY DUTY 3-TINE HEAD ASSEMBLY	1
19	100-5414	TURF GUARD - 3-TINE HEAD 5 FINGER	A/R
19	100-5415	TURF GUARD - 3-TINE HEAD 3 FINGER	A/R

AERATORS

PROCORE[®] 440 / 660 / 880 TINES – 3/8" MOUNT



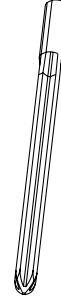
QUAD



SOLID ROUND



SOLID SLICING



SOLID CROSS

ProCore 440 / 660 / 880 Tines – 3/8" Mount

Part No.	Description	Qty.
QUAD		
108-9104	TITAN QUAD, 3/8" MOUNT (4.50" X .36", .25")	A/R
108-9112	TITAN QUAD MAX, 3/8" MOUNT (4.50" X .36", .25")	A/R
108-9105	TITAN QUAD, 3/8" MOUNT (4.50" X .46", .32")	A/R
108-9114	TITAN QUAD MAX, 3/8" MOUNT (4.50" X .46", .32")	A/R
108-9106	TITAN QUAD, 3/8" MOUNT (4.50" X .55", .41")	A/R
108-9116	TITAN QUAD MAX, 3/8" MOUNT (4.50" X .58", .38")	A/R
108-9293	TITAN QUAD, 3/8" MOUNT (4.50" X .58", .48")	A/R
108-9108	TITAN QUAD, 3/8" MOUNT (5.00" X .36", .25")	A/R
108-9120	TITAN QUAD MAX, 3/8" MOUNT (5.00" X .38", .23")	A/R
108-9109	TITAN QUAD, 3/8" MOUNT (5.00" X .46", .32")	A/R
108-9122	TITAN QUAD MAX, 3/8" MOUNT (5.00" X .48", .28")	A/R
108-9110	TITAN QUAD, 3/8" MOUNT (5.00" X .55", .41")	A/R
108-9124	TITAN QUAD MAX, 3/8" MOUNT (5.00" X .58", .38")	A/R
108-9294	TITAN QUAD, 3/8" MOUNT (5.00" X .58", .48")	A/R
108-9290	TITAN QUAD, 3/8" MOUNT (5.50" X .55", .41")	A/R
SOLID ROUND		
108-9230	TITAN SOLID ROUND, 3/8" MOUNT (4.50" X .20")	A/R
108-9231	TITAN SOLID ROUND, 3/8" MOUNT (4.50" X .25")	A/R
108-9232	TITAN SOLID ROUND, 3/8" MOUNT (4.50" X .30")	A/R
108-9233	TITAN SOLID ROUND, 3/8" MOUNT (4.50" X .38")	A/R
108-9234	TITAN SOLID ROUND, 3/8" MOUNT (5.50" X .20")	A/R
108-9235	TITAN SOLID ROUND, 3/8" MOUNT (5.50" X .25")	A/R
108-9236	TITAN SOLID ROUND, 3/8" MOUNT (5.50" X .30")	A/R
108-9237	TITAN SOLID ROUND, 3/8" MOUNT (5.50" X .38")	A/R
SOLID SLICING		
108-9238	TITAN SOLID SLICING, 3/8" MOUNT (5.00" X .63")	A/R
SOLID CROSS		
108-9215	TITAN CROSS, 3/8" MOUNT (4.50" X .38")	A/R
108-9216	TITAN CROSS, 3/8" MOUNT (4.50" X .50")	A/R
112-1310	TITAN CROSS MAX, 3/8" MOUNT (4.50" X .50")	A/R
108-9217	TITAN CROSS, 3/8" MOUNT (4.50" X .62")	A/R
108-9218	TITAN CROSS, 3/8" MOUNT (5.50" X .38")	A/R
108-9219	TITAN CROSS, 3/8" MOUNT (5.50" X .50")	A/R
112-1311	TITAN CROSS MAX, 3/8" MOUNT (5.50" X .50")	A/R
108-9220	TITAN CROSS, 3/8" MOUNT (5.50" X .62")	A/R

ProCore 440 / 660 / 880 Tines – 3/4" Mount

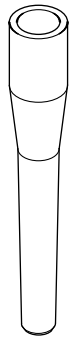
Part No.	Description	Qty.
HOLLOW		
108-9128	TITAN HOLLOW, 3/4" MOUNT (4.75" X .46", .28")	A/R
108-9139	TITAN HOLLOW MAX, 3/4" MOUNT (4.75" X .46", .28")	A/R
108-9129	TITAN HOLLOW, 3/4" MOUNT (4.75" X .56", .41")	A/R
108-9141	TITAN HOLLOW MAX, 3/4" MOUNT (4.75" X .56", .38")	A/R
108-9130	TITAN HOLLOW, 3/4" MOUNT (4.75" X .66", .53")	A/R
108-9143	TITAN HOLLOW MAX, 3/4" MOUNT (4.75" X .66", .48")	A/R
108-9132	TITAN HOLLOW, 3/4" MOUNT (5.75" X .46", .28")	A/R
108-9145	TITAN HOLLOW MAX, 3/4" MOUNT (5.75" X .46", .28")	A/R
108-9133	TITAN HOLLOW, 3/4" MOUNT (5.75" X .56", .41")	A/R
108-9147	TITAN HOLLOW MAX, 3/4" MOUNT (5.75" X .56", .38")	A/R
108-9134	TITAN HOLLOW, 3/4" MOUNT (5.75" X .66", .53")	A/R
108-9149	TITAN HOLLOW MAX, 3/4" MOUNT (5.75" X .66", .48")	A/R
114-0551	TITAN HOLLOW EXT. TAPER, 3/4" MOUNT (5.75" X .66", .53")	A/R
114-0553	TITAN HOLLOW EXT. TAPER MAX, 3/4" MOUNT (5.75" X .68", .47")	A/R
66-9140	CLASSIC HOLLOW, 3/4" MOUNT (4.75" X .50", .40")	A/R
59-3670	CLASSIC HOLLOW, 3/4" MOUNT (4.75" X .63", .50")	A/R
104-0984	CLASSIC HOLLOW, 3/4" MOUNT (5.75" X .63", .51")	A/R
SIDE EJECT		
108-9159	TITAN SIDE EJECT, 3/4" MOUNT (4.75" X .46", .28")	A/R
108-9170	TITAN SIDE EJECT MAX, 3/4" MOUNT (4.75" X .46", .28")	A/R
108-9160	TITAN SIDE EJECT, 3/4" MOUNT (4.75" X .56", .41")	A/R
108-9172	TITAN SIDE EJECT MAX, 3/4" MOUNT (4.75" X .56", .38")	A/R
108-9161	TITAN SIDE EJECT, 3/4" MOUNT (4.75" X .66", .53")	A/R
108-9174	TITAN SIDE EJECT MAX, 3/4" MOUNT (4.75" X .66", .48")	A/R
108-9163	TITAN SIDE EJECT, 3/4" MOUNT (5.75" X .46", .28")	A/R
108-9176	TITAN SIDE EJECT MAX, 3/4" MOUNT (5.75" X .46", .28")	A/R
108-9164	TITAN SIDE EJECT, 3/4" MOUNT (5.75" X .56", .41")	A/R
108-9178	TITAN SIDE EJECT MAX, 3/4" MOUNT (5.75" X .56", .38")	A/R
108-9165	TITAN SIDE EJECT, 3/4" MOUNT (5.75" X .66", .53")	A/R
108-9180	TITAN SIDE EJECT MAX, 3/4" MOUNT (5.75" X .66", .48")	A/R
114-0555	TITAN SIDE EJECT EXT. TAPER, 3/4" MOUNT (5.75" X .66", .53")	A/R
114-0557	TITAN SIDE EJECT EXT. TAPER MAX, 3/4" MOUNT (5.75" X .66", .47")	A/R
108-9260	HD FAIRWAY, 3/4" MOUNT (5.75" X .77", .51")	A/R
108-9261	HD FAIRWAY, 3/4" MOUNT (5.75" X .88", .51")	A/R
104-9876	FAIRWAY, 3/4" MOUNT (5.75" X .77", .51")	A/R
104-9875	FAIRWAY, 3/4" MOUNT (5.75" X .88", .51")	A/R
SOLID ROUND		
108-9198	TITAN SOLID ROUND, 3/4" MOUNT (4.50" X .25")	A/R
108-9199	TITAN SOLID ROUND, 3/4" MOUNT (4.50" X .30")	A/R
108-9200	TITAN SOLID ROUND, 3/4" MOUNT (4.50" X .35")	A/R
108-9201	TITAN SOLID ROUND, 3/4" MOUNT (4.50" X .40")	A/R
108-9202	TITAN SOLID ROUND, 3/4" MOUNT (4.50" X .50")	A/R
108-9203	TITAN SOLID ROUND, 3/4" MOUNT (4.50" X .60")	A/R
108-9204	TITAN SOLID ROUND, 3/4" MOUNT (5.50" X .25")	A/R
108-9205	TITAN SOLID ROUND, 3/4" MOUNT (5.50" X .30")	A/R
108-9206	TITAN SOLID ROUND, 3/4" MOUNT (5.50" X .35")	A/R
108-9207	TITAN SOLID ROUND, 3/4" MOUNT (5.50" X .40")	A/R
108-9208	TITAN SOLID ROUND, 3/4" MOUNT (5.50" X .50")	A/R
108-9209	TITAN SOLID ROUND, 3/4" MOUNT (5.50" X .60")	A/R
108-9244	TITAN SOLID ROUND, 3/4" MOUNT (5.50" X .75")	A/R
SOLID SLICING		
108-9239	TITAN SOLID SLICING, 3/4" MOUNT (4.50" X .75")	A/R
108-9240	TITAN SOLID SLICING, 3/4" MOUNT (5.50" X .75")	A/R

AERATORS

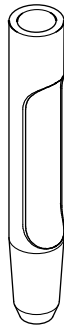
PROCORE[®] 440 / 660 / 880 TINES – 3/4", 7/8" AND NEEDLE MOUNT

ProCore 440 / 660 / 880 Tines – 3/4" Mount - continued

Part No.	Description	Qty.
SOLID CROSS		
108-9221	TITAN CROSS, 3/4" MOUNT (4.50" X .50")	A/R
112-1312	TITAN CROSS MAX, 3/4" MOUNT (4.50" X .50")	A/R
108-9222	TITAN CROSS, 3/4" MOUNT (4.50" X .63")	A/R
108-9223	TITAN CROSS, 3/4" MOUNT (4.50" X .75")	A/R
108-9224	TITAN CROSS, 3/4" MOUNT (5.50" X .50")	A/R
112-1313	TITAN CROSS MAX, 3/4" MOUNT (5.50" X .50")	A/R
108-9225	TITAN CROSS, 3/4" MOUNT (5.50" X .63")	A/R
108-9226	TITAN CROSS, 3/4" MOUNT (5.50" X .75")	A/R



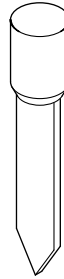
HOLLOW



SIDE EJECT



SOLID ROUND



SOLID SLICING



SOLID CROSS



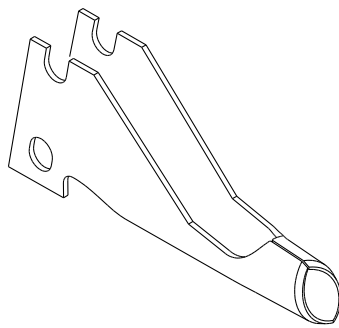
SOLID NEEDLE

ProCore 440 / 660 / 880 Tines – 7/8" and Needle Mount

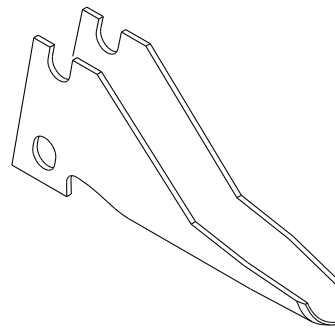
Part No.	Description	Qty.
HOLLOW		
108-9190	TITAN HOLLOW, 7/8" MOUNT (4.75" X .66", .51")	A/R
108-9155	TITAN HOLLOW MAX, 7/8" MOUNT (4.75" X .66", .48")	A/R
108-9191	TITAN HOLLOW, 7/8" MOUNT (4.75" X .76", .63")	A/R
108-9192	TITAN HOLLOW, 7/8" MOUNT (5.75" X .66", .51")	A/R
108-9157	TITAN HOLLOW MAX, 7/8" MOUNT (5.75" X .66", .48")	A/R
108-9193	TITAN HOLLOW, 7/8" MOUNT (5.75" X .76", .63")	A/R
62-4600	CLASSIC HOLLOW, 7/8" MOUNT (4.75" X .75", .60")	A/R
86-9720	CLASSIC HOLLOW, 7/8" MOUNT (5.75" X .75", .60")	A/R
SIDE EJECT		
108-9194	TITAN SIDE EJECT, 7/8" MOUNT (4.75" X .66", .51")	A/R
108-9186	TITAN SIDE EJECT MAX, 7/8" MOUNT (4.75" X .66", .48")	A/R
108-9195	TITAN SIDE EJECT, 7/8" MOUNT (4.75" X .76", .63")	A/R
108-9196	TITAN SIDE EJECT, 7/8" MOUNT (5.75" X .66", .51")	A/R
108-9188	TITAN SIDE EJECT MAX, 7/8" MOUNT (5.75" X .66", .48")	A/R
108-9197	TITAN SIDE EJECT, 7/8" MOUNT (5.75" X .76", .63")	A/R
108-9264	TITAN HD FAIRWAY, 7/8" MOUNT (5.75" X .88", .64")	A/R
108-9265	TITAN HD FAIRWAY, 7/8" MOUNT (5.75" X 1.0", .64")	A/R
92-7941	FAIRWAY, 7/8" MOUNT (4.75" X .88", .64")	A/R
92-7900	FAIRWAY, 7/8" MOUNT (5.75" X .88", .64")	A/R
104-9877	FAIRWAY, 7/8" MOUNT (5.75" X 1.0", .64")	A/R
SOLID ROUND		
108-9246	TITAN SOLID ROUND, 7/8" MOUNT (5.50" X .75")	A/R
108-9247	TITAN SOLID ROUND, 7/8" MOUNT (5.50" X .88")	A/R

ProCore 440 / 660 / 880 Tines – 7/8" and Needle Mount - continued

	Part No.	Description	Qty.
SOLID SLICING			
	108-9242	TITAN SOLID SLICING, 7/8" MOUNT (5.50" X .75")	A/R
SOLID CROSS			
	108-9259	TITAN CROSS, 7/8" MOUNT (5.50" X .88")	A/R
SOLID NEEDLE			
	100-3620*	TITAN SOLID NEEDLE 3/16" X 6.43"	A/R
	100-3621*	TITAN SOLID NEEDLE 5/16" X 7.38"	A/R



CLOSED SPOON



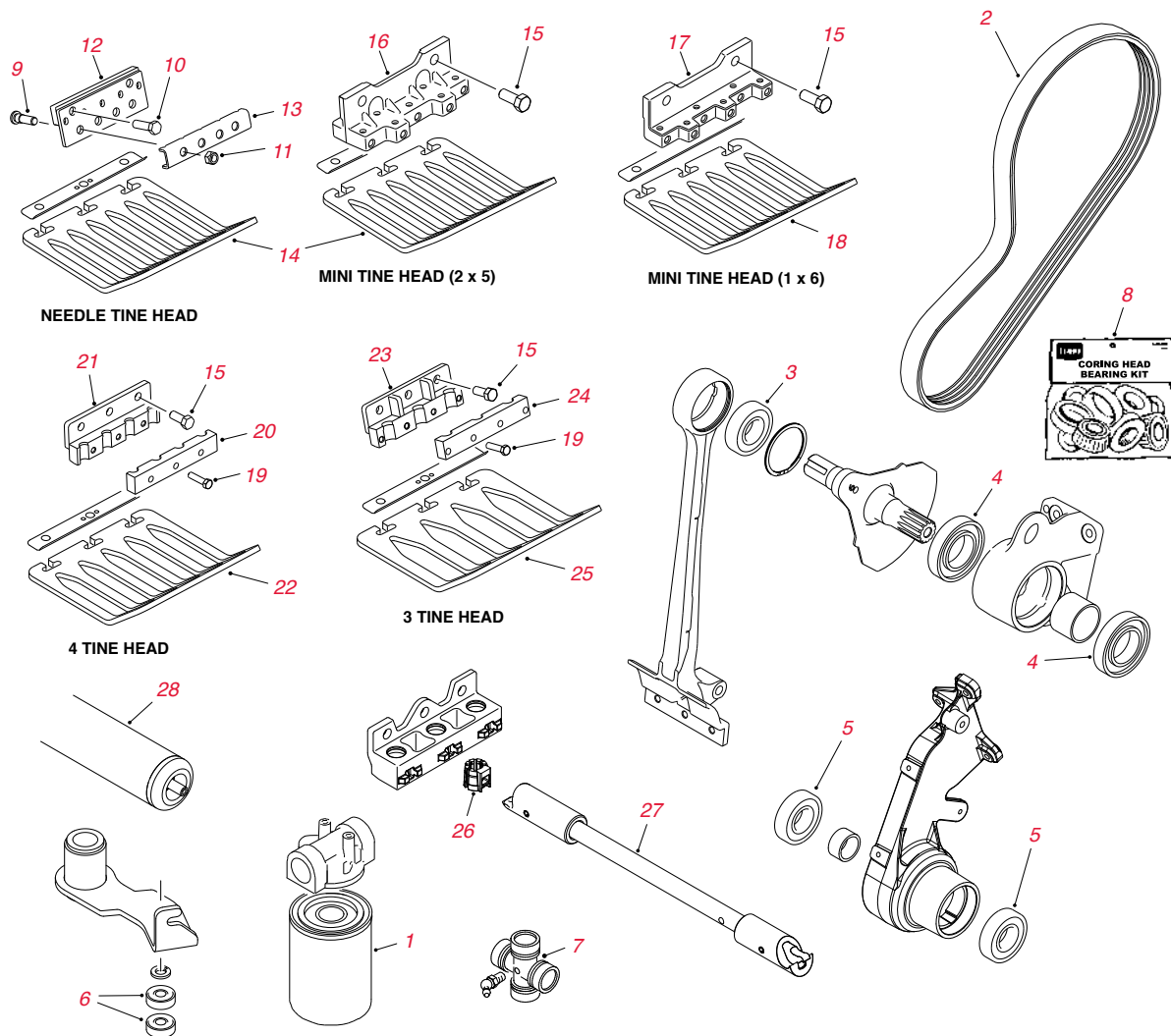
OPEN SPOON

Turf Aerator 686 / 687 Tines

	Part No.	Description	Qty.
CLOSED SPOON			
	01-283-0050	ORDER 108-9297	A/R
	108-9297	1/2" SPOON TINE CLOSED (686/687)	A/R
	01-283-0060	ORDER 108-9299	A/R
	108-9299	3/4" SPOON TINE CLOSED (686/687)	A/R
OPEN SPOON			
	01-283-0070	ORDER 108-9296	A/R
	108-9296	1/2" SPOON TINE OPEN (686/687)	A/R
	01-283-0080	ORDER 108-9298	A/R
	108-9298	3/4" SPOON TINE OPEN (686/687)	A/R
	01-283-0030	4" SLICING BLADE (686/687)	A/R
	01-283-0040	SLICING BLADE (686/687)	A/R

AERATORS

PROCORE[®] 648 / 864 / 1298



ProCore 648 / 864 / 1298

Ref. No.	Part No.	Description	Qty.
*	108-3847	FILTER-ENGINE, OIL (PROCORE 648)	1
1	107-9531	HYDRAULIC FILTER ELEMENT (648)	1
2	105-0989	MULTI-ROW V-BELT - PRIMARY DRIVE (648)	A/R
2	105-0991	MULTI-ROW V-BELT - SECONDARY DRIVE (648)	A/R
2	110-4327	MULTI-ROW V-BELT - SECONDARY DRIVE (864/1298)	A/R
3	106-8871	BEARING - BALL (648)	A/R
3	110-4556	BEARING - BALL (864/1298)	A/R
4	105-0965	BEARING - BALL (648)	A/R
4	110-4555	BEARING - BALL (864/1298)	A/R
5	106-8871	BEARING - BALL (864/1298)	A/R
6	251-259	BEARING - BALL (NEUTRAL ARM - 648)	2
7	110-4635	CROSS & BEARING KIT (SHIELDED DRIVESHAFT - 864/1298)	2
7	110-4641	CROSS & BEARING KIT (STD. DRIVESHAFT - 864/1298)	2
8	108-2132**	Coring Head Bearing MVP Kit (648 - 2004-2007)	A/R
8	131-4876**	Coring Head Bearing MVP Kit (648 - 2008 & after)	A/R
10	325-7	SCREW - HEX HD.	A/R
11	3296-19	NUT - LOCK	A/R
12	108-6846	HEAD - NEEDLE TINE	A/R
13	108-6849-03	CLAMP - NEEDLE TINE HEAD	A/R
14	110-4365	ORDER 120-1047	A/R
14	120-1047	TURF GUARD - NEEDLE/2 X 5 MINI TINES SHORT (ALL)	A/R
14	110-4366	ORDER 120-1052	A/R
14	120-1052	TURF GUARD - NEEDLE/2 X 5 MINI TINES LONG (648/1298)	A/R

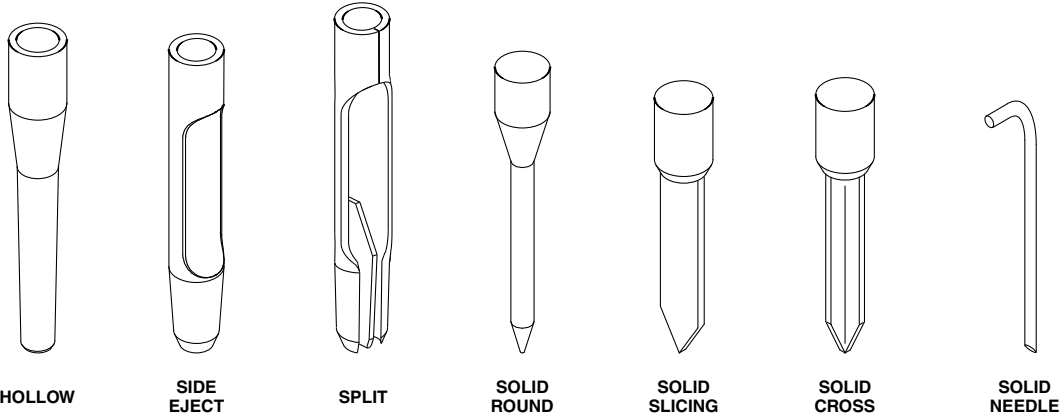
ProCore 648 / 864 / 1298

Ref. No.	Part No.	Description	Qty.
14	120-1060	TURF GUARD - NEEDLE/2 X 5 MINI TINES RH (864)	A/R
14	120-1062	TURF GUARD - NEEDLE/2 X 5 MINI TINES LH (864)	A/R
15	325-5	SCREW - HEX HD.	A/R
16	105-1184	MINI TINE HEAD ASSEMBLY - 2 X 5	A/R
17	108-6809	MINI TINE HEAD ASSEMBLY - 1 X 6	A/R
18	110-4369	ORDER 120-1050	4
	120-1050	TURF GUARD - 1 X 6 MINI TINES SHORT (1298)	A/R
18	110-4370	ORDER 120-1053	2
	120-1053	TURF GUARD - 1 X 6 MINI TINES LONG (1298)	A/R
18	115-2801	ORDER 120-1063	1
18	120-1063	TURF GUARD - 1X6 MINI TINES RH (864)	1
18	115-2802	TURF GUARD - 1 X 6 MINI TINES LH (864)	1
19	323-8	SCREW - HEX HD.	A/R
20	105-1032-03	CLAMP - 4-TINE HEAD 3/4"	A/R
21	105-1045-03	HEAD - 4-TINE 3/4"	A/R
22	110-4361	ORDER 120-1045	A/R
22	120-1045	TURF GUARD - 4-TINE HEAD SHORT (648/864/1298)	A/R
22	110-4362	ORDER 120-1046	A/R
22	120-1046	TURF GUARD - 4-TINE HEAD LONG (648/1298)	A/R
22	110-4363	ORDER 120-1059	A/R
22	120-1059	TURF GUARD - 4-TINE HEAD RH (864)	A/R
22	120-1060	TURF GUARD - 4-TINE HEAD LH (864)	A/R
23	105-1036-03	HEAD - 3-TINE 3/4"	A/R
23	108-2122-03	ORDER 110-4692-03	A/R
23	110-4692-03	HEAD - 3-TINE 7/8"	A/R
24	105-1038-03	CLAMP - 3-TINE HEAD 3/4"	A/R
24	108-2124-03	CLAMP - 3-TINE HEAD 7/8"	A/R
25	110-4357	ORDER 120-1044	A/R
25	120-1044	TURF GUARD - 3-TINE HEAD SHORT (648/864/1298)	A/R
25	105-1107	ORDER 120-1051	A/R
25	120-1051	TURF GUARD - 3-TINE HEAD LONG (648 2004 AND UP)	A/R
25	110-4358	ORDER 120-1051	A/R
25	110-4359	ORDER 120-1057	A/R
25	120-1057	TURF GUARD - 3-TINE HEAD RH (864)	A/R
25	110-4360	ORDER 120-1058	A/R
25	120-1058	TURF GUARD - 3-TINE HEAD LH (864)	A/R
26	108-6837	SLEEVE - QUICK CHANGE TINE (3/4")	A/R
26	108-6838	ORDER 131-4889	A/R
*	131-4889	INSERT-SLEEVE, 7/8"	A/R
27	114-0590-01	TOOL - QUICK CHANGE TINE	1
28	110-4444	REAR ROLLER ASSEMBLY (648)	1
28	110-4252-03	REAR ROLLER ASSEMBLY (864/1298)	1
*	99-3623-03	ARM-IDLER	1
*	114-4665	TIRE ASM	3
*	114-4643	WHEEL (PROCORE 648)	1
*	104-8331	END - ROD, SPHERICAL	2
*	105-3249	DAMPER	1
*	115-3488	SPRING - TORSION	1
*	321-10	SCREW - HH	4
*	32121-110	PIN - ROLL, SLOTTED	2
*	32144-4	SCREW - HWH	10
*	3234-42	SCREW - HHF	1
*	325-12	SCREW - HH	9
*	325-13	SCREW - HH	4
*	3256-28	WASHER - FLAT	1
*	3296-45	NUT - LOCK, NI	1
*	3296-51	NUT - LOCK, NI	1
*	74-1810	WASHER	1
*	99-3624	SHAFT - PIVOT, IDLER	1
*	104-8162	BATTERY - DRY (648)	1
*	32128-37	NUT - HF (648)	2
*	256-304	WASHER - THRUST (1298)	4
*	3243-1	SCREW - SET	2

*Not illustrated. **Not sold separately. See pages 20-33 for kit contents. Prices subject to change without notice. Please see your Parts Catalog or Master Parts Viewer to ensure the correct part is ordered, as the part you need may not be listed above. toro.com/parts

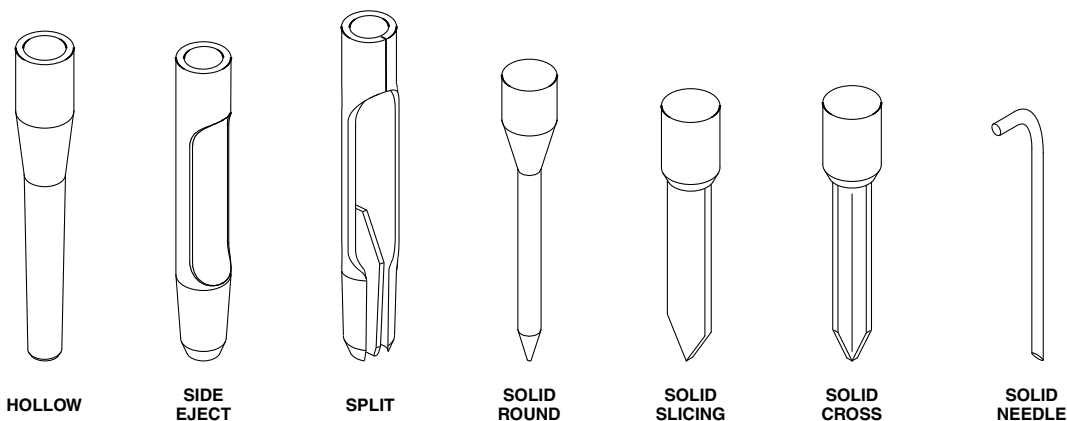
AERATORS

PROCORE[®] 648 / 864 / 1298 TINES – 3/8" MOUNT



ProCore 648 / 864 / 1298 Tines – 3/8" Mount

Part No.	Description	Qty.
QUAD		
108-9104	TITAN QUAD, 3/8" MOUNT (4.50" X .36", .25")	A/R
108-9112	TITAN QUAD MAX, 3/8" MOUNT (4.50" X .38", .23")	A/R
108-9105	TITAN QUAD, 3/8" MOUNT (4.50" X .46", .32")	A/R
108-9114	TITAN QUAD MAX, 3/8" MOUNT (4.50" X .46", .28")	A/R
108-9106	TITAN QUAD, 3/8" MOUNT (4.50" X .55", .41")	A/R
108-9116	TITAN QUAD MAX, 3/8" MOUNT (4.50" X .58", .38")	A/R
108-9293	TITAN QUAD, 3/8" MOUNT (4.50" X .58", .48")	A/R
108-9108	TITAN QUAD, 3/8" MOUNT (5.00" X .36", .25")	A/R
108-9120	TITAN QUAD MAX, 3/8" MOUNT (5.00" X .38", .23")	A/R
108-9109	TITAN QUAD, 3/8" MOUNT (5.00" X .46", .32")	A/R
108-9122	TITAN QUAD MAX, 3/8" MOUNT (5.00" X .48", .28")	A/R
108-9110	TITAN QUAD, 3/8" MOUNT (5.00" X .55", .41")	A/R
108-9124	TITAN QUAD MAX, 3/8" MOUNT (5.00" X .58", .38")	A/R
108-9294	TITAN QUAD, 3/8" MOUNT (5.00" X .58", .48")	A/R
108-9290	TITAN QUAD, 3/8" MOUNT (5.50" X .55", .41")	A/R
SOLID ROUND		
108-9230	TITAN SOLID ROUND, 3/8" MOUNT (4.50" X .20")	A/R
108-9231	TITAN SOLID ROUND, 3/8" MOUNT (4.50" X .25")	A/R
108-9232	TITAN SOLID ROUND, 3/8" MOUNT (4.50" X .30")	A/R
108-9233	TITAN SOLID ROUND, 3/8" MOUNT (4.50" X .38")	A/R
108-9234	TITAN SOLID ROUND, 3/8" MOUNT (5.50" X .20")	A/R
108-9235	TITAN SOLID ROUND, 3/8" MOUNT (5.50" X .25")	A/R
108-9236	TITAN SOLID ROUND, 3/8" MOUNT (5.50" X .30")	A/R
108-9237	TITAN SOLID ROUND, 3/8" MOUNT (5.50" X .38")	A/R
SOLID SLICING		
108-9238	TITAN SOLID SLICING, 3/8" MOUNT (5.00" X .63")	A/R
SOLID CROSS		
108-9215	TITAN CROSS, 3/8" MOUNT (4.50" X .38")	A/R
108-9216	TITAN CROSS, 3/8" MOUNT (4.50" X .50")	A/R
112-1310	TITAN CROSS MAX, 3/8" MOUNT (4.50" X .50")	A/R
108-9217	TITAN CROSS, 3/8" MOUNT (4.50" X .62")	A/R
108-9218	TITAN CROSS, 3/8" MOUNT (5.50" X .38")	A/R
108-9219	TITAN CROSS, 3/8" MOUNT (5.50" X .50")	A/R
112-1311	TITAN CROSS MAX, 3/8" MOUNT (5.50" X .50")	A/R
108-9220	TITAN CROSS, 3/8" MOUNT (5.50" X .62")	A/R



ProCore 648 / 864 / 1298 Tines – 3/4" Mount

Part No.	Description	Qty.
<i>HOLLOW</i>		
108-9128	TITAN HOLLOW, 3/4" MOUNT (4.75" X .46", .28")	A/R
108-9139	TITAN HOLLOW MAX, 3/4" MOUNT (4.75" X .46", .28")	A/R
108-9129	TITAN HOLLOW, 3/4" MOUNT (4.75" X .56", .41")	A/R
108-9141	TITAN HOLLOW MAX, 3/4" MOUNT (4.75" X .56", .38")	A/R
108-9130	TITAN HOLLOW, 3/4" MOUNT (4.75" X .66", .53")	A/R
108-9143	TITAN HOLLOW MAX, 3/4" MOUNT (4.75" X .66", .48")	A/R
108-9132	TITAN HOLLOW, 3/4" MOUNT (5.75" X .46", .28")	A/R
108-9145	TITAN HOLLOW MAX, 3/4" MOUNT (5.75" X .46", .28")	A/R
108-9133	TITAN HOLLOW, 3/4" MOUNT (5.75" X .56", .41")	A/R
108-9147	TITAN HOLLOW MAX, 3/4" MOUNT (5.75" X .56", .38")	A/R
108-9134	TITAN HOLLOW, 3/4" MOUNT (5.75" X .66", .53")	A/R
108-9149	TITAN HOLLOW MAX, 3/4" MOUNT (5.75" X .66", .48")	A/R
108-9138	TITAN HOLLOW, 3/4" MOUNT (6.50" X .46", .28")	A/R
108-9135	TITAN HOLLOW MAX, 3/4" MOUNT (6.50" X .46", .28")	A/R
108-9136	TITAN HOLLOW, 3/4" MOUNT (6.50" X .56", .41")	A/R
108-9151	TITAN HOLLOW MAX, 3/4" MOUNT (6.50" X .56", .38")	A/R
108-9137	TITAN HOLLOW, 3/4" MOUNT (6.50" X .66", .53")	A/R
108-9153	TITAN HOLLOW MAX, 3/4" MOUNT (6.50" X .66", .48")	A/R
114-0551	TITAN HOLLOW EXT. TAPER, 3/4" MOUNT (5.75" X .66", .53")	A/R
114-0553	TITAN HOLLOW EXT. TAPER MAX, 3/4" MOUNT (5.75" X .66", .47")	A/R
114-0550	TITAN HOLLOW EXT. TAPER, 3/4" MOUNT (6.50" X .66", .53")	A/R
114-0561	TITAN HOLLOW EXT.TAPER MAX, 3/4" MOUNT (6.50" X .66", .47")	A/R
66-9140	CLASSIC HOLLOW, 3/4" MOUNT (4.75" X .50", .40")	A/R
59-3670	CLASSIC HOLLOW, 3/4" MOUNT (4.75" X .63", .50")	A/R
104-0984	CLASSIC HOLLOW, 3/4" MOUNT (5.75" X .63", .51")	A/R
105-1180	CLASSIC HOLLOW, 3/4" MOUNT (6.50" X .66", .39")	A/R
<i>SIDE EJECT</i>		
108-9159	TITAN SIDE EJECT, 3/4" MOUNT (4.75" X .46", .28")	A/R
108-9170	TITAN SIDE EJECT MAX, 3/4" MOUNT (4.75" X .46", .28")	A/R
108-9160	TITAN SIDE EJECT, 3/4" MOUNT (4.75" X .56", .41")	A/R
108-9172	TITAN SIDE EJECT MAX, 3/4" MOUNT (4.75" X .56", .38")	A/R
108-9161	TITAN SIDE EJECT, 3/4" MOUNT (4.75" X .66", .53")	A/R
108-9174	TITAN SIDE EJECT MAX, 3/4" MOUNT (4.75" X .66", .48")	A/R
108-9163	TITAN SIDE EJECT, 3/4" MOUNT (5.75" X .46", .28")	A/R
108-9176	TITAN SIDE EJECT MAX, 3/4" MOUNT (5.75" X .46", .28")	A/R
108-9164	TITAN SIDE EJECT, 3/4" MOUNT (5.75" X .56", .41")	A/R
108-9178	TITAN SIDE EJECT MAX, 3/4" MOUNT (5.75" X .56", .38")	A/R

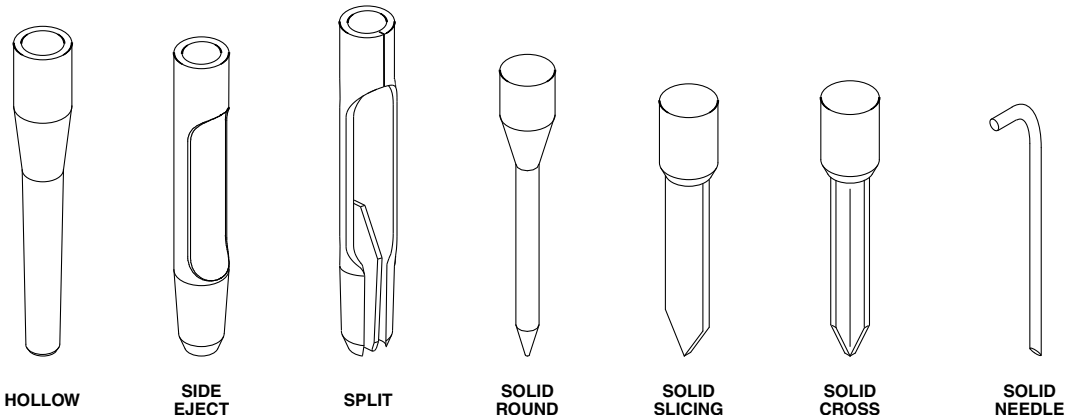
AERATORS

PROCORE® 648 / 864 / 1298 TINES – 3/4" MOUNT

ProCore 648 / 864 / 1298 Tines – 3/4" Mount

Part No.	Description	Qty.
SIDE EJECT		
108-9165	TITAN SIDE EJECT, 3/4" MOUNT (5.75" X .66", .53")	A/R
108-9180	TITAN SIDE EJECT MAX, 3/4" MOUNT (5.75" X .66", .48")	A/R
108-9162	TITAN SIDE EJECT, 3/4" MOUNT (6.50" X .46", .28")	A/R
108-9166	TITAN SIDE EJECT MAX, 3/4" MOUNT (6.50" X .46", .28")	A/R
108-9167	TITAN SIDE EJECT, 3/4" MOUNT (6.50" X .56", .41")	A/R
108-9182	TITAN SIDE EJECT MAX, 3/4" MOUNT (6.50" X .56", .38")	A/R
108-9168	TITAN SIDE EJECT, 3/4" MOUNT (6.50" X .66", .53")	A/R
108-9184	TITAN SIDE EJECT MAX, 3/4" MOUNT (6.50" X .66", .48")	A/R
114-0555	TITAN SIDE EJECT EXT. TAPER, 3/4" MOUNT (5.75" X .66", .53")	A/R
114-0557	TITAN SIDE EJECT EXT. TAPER MAX, 3/4" MOUNT (5.75" X .66", .47")	A/R
114-0558	TITAN SIDE EJECT EXT. TAPER, 3/4" MOUNT (6.50" X .66", .53")	A/R
114-0560	TITAN SIDE EJECT EXT. TAPER MAX, 3/4" MOUNT (6.50" X .66", .47")	A/R
108-9260	HD FAIRWAY, 3/4" MOUNT (5.75" X .77", .51")	A/R
108-9261	HD FAIRWAY, 3/4" MOUNT (5.75" X .88", .51")	A/R
104-9876	FAIRWAY, 3/4" MOUNT (5.75" X .77", .51")	A/R
104-9875	FAIRWAY, 3/4" MOUNT (5.75" X .88", .51")	A/R
SPLIT		
112-5122	TITAN SPLIT, 3/4" MOUNT (5.75" X .88", .51")	A/R
SOLID ROUND		
77-5320	TITAN SOLID ROUND, 3/4" MOUNT (3.25" X .313")	A/R
108-9198	TITAN SOLID ROUND, 3/4" MOUNT (4.50" X .25")	A/R
108-9199	TITAN SOLID ROUND, 3/4" MOUNT (4.50" X .30")	A/R
108-9200	TITAN SOLID ROUND, 3/4" MOUNT (4.50" X .35")	A/R
108-9201	TITAN SOLID ROUND, 3/4" MOUNT (4.50" X .40")	A/R
108-9202	TITAN SOLID ROUND, 3/4" MOUNT (4.50" X .50")	A/R
108-9203	TITAN SOLID ROUND, 3/4" MOUNT (4.50" X .60")	A/R
108-9204	TITAN SOLID ROUND, 3/4" MOUNT (5.50" X .25")	A/R
108-9205	TITAN SOLID ROUND, 3/4" MOUNT (5.50" X .30")	A/R
108-9206	TITAN SOLID ROUND, 3/4" MOUNT (5.50" X .35")	A/R
108-9207	TITAN SOLID ROUND, 3/4" MOUNT (5.50" X .40")	A/R
108-9208	TITAN SOLID ROUND, 3/4" MOUNT (5.50" X .50")	A/R
108-9209	TITAN SOLID ROUND, 3/4" MOUNT (5.50" X .60")	A/R
108-9244	TITAN SOLID ROUND, 3/4" MOUNT (5.50" X .75")	A/R
108-9210	TITAN SOLID ROUND, 3/4" MOUNT (6.50" X .30")	A/R
108-9211	TITAN SOLID ROUND, 3/4" MOUNT (6.50" X .35")	A/R
108-9212	TITAN SOLID ROUND, 3/4" MOUNT (6.50" X .40")	A/R
108-9213	TITAN SOLID ROUND, 3/4" MOUNT (6.50" X .50")	A/R
108-9214	TITAN SOLID ROUND, 3/4" MOUNT (6.50" X .60")	A/R
108-9245	TITAN SOLID ROUND, 3/4" MOUNT (6.50" X .75")	A/R
SOLID SLICING		
108-9239	TITAN SOLID SLICING, 3/4" MOUNT (4.50" X .75")	A/R
108-9240	TITAN SOLID SLICING, 3/4" MOUNT (5.50" X .75")	A/R
108-9241	TITAN SOLID SLICING, 3/4" MOUNT (6.50" X .75")	A/R
SOLID CROSS		
108-9221	TITAN CROSS, 3/4" MOUNT (4.50" X .50")	A/R
112-1312	TITAN CROSS MAX, 3/4" MOUNT (4.50" X .50")	A/R
108-9222	TITAN CROSS, 3/4" MOUNT (4.50" X .63")	A/R
108-9223	TITAN CROSS, 3/4" MOUNT (4.50" X .75")	A/R
108-9224	TITAN CROSS, 3/4" MOUNT (5.50" X .50")	A/R
112-1313	TITAN CROSS MAX, 3/4" MOUNT (5.50" X .50")	A/R
108-9225	TITAN CROSS, 3/4" MOUNT (5.50" X .63")	A/R
108-9226	TITAN CROSS, 3/4" MOUNT (5.50" X .75")	A/R
108-9227	TITAN CROSS, 3/4" MOUNT (6.50" X .50")	A/R
112-1314	TITAN CROSS MAX, 3/4" MOUNT (6.50" X .50")	A/R
108-9228	TITAN CROSS, 3/4" MOUNT (6.50" X .62")	A/R
108-9229	TITAN CROSS, 3/4" MOUNT (6.50" X .75")	A/R

PROCORE® 648 / 864 / 1298 TINES – 7/8" AND NEEDLE MOUNT



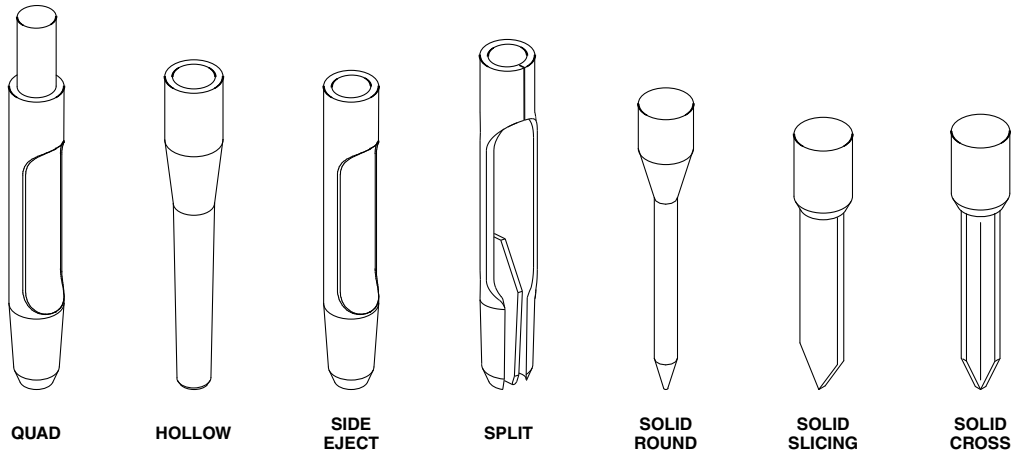
ProCore 648 / 864 / 1298 Tines – 7/8" and Needle Mount

	Part No.	Description	Qty.
HOLLOW			
	108-9190	TITAN HOLLOW, 7/8" MOUNT (4.75" X .66", .51")	A/R
	108-9155	TITAN HOLLOW MAX, 7/8" MOUNT (4.75" X .66", .48")	A/R
	108-9191	TITAN HOLLOW, 7/8" MOUNT (4.75" X .76", .63")	A/R
	108-9192	TITAN HOLLOW, 7/8" MOUNT (5.75" X .66", .51")	A/R
	108-9157	TITAN HOLLOW MAX, 7/8" MOUNT (5.75" X .66", .48")	A/R
	108-9193	TITAN HOLLOW, 7/8" MOUNT (5.75" X .76", .63")	A/R
	62-4600	CLASSIC HOLLOW, 7/8" MOUNT (4.75" X .75", .60")	A/R
	86-9720	CLASSIC HOLLOW, 7/8" MOUNT (5.75" X .75", .60")	A/R
SIDE EJECT			
	108-9194	TITAN SIDE EJECT, 7/8" MOUNT (4.75" X .66", .51")	A/R
	108-9186	TITAN SIDE EJECT MAX, 7/8" MOUNT (4.75" X .66", .48")	A/R
	108-9195	TITAN SIDE EJECT, 7/8" MOUNT (4.75" X .76", .63")	A/R
	108-9196	TITAN SIDE EJECT, 7/8" MOUNT (5.75" X .66", .51")	A/R
	108-9188	TITAN SIDE EJECT MAX, 7/8" MOUNT (5.75" X .66", .48")	A/R
	108-9197	TITAN SIDE EJECT, 7/8" MOUNT (5.75" X .76", .63")	A/R
	108-9264	TITAN HD FAIRWAY, 7/8" MOUNT (5.75" X .88", .64")	A/R
	108-9265	TITAN HD FAIRWAY, 7/8" MOUNT (5.75" X 1.0", .64")	A/R
	92-7941	FAIRWAY, 7/8" MOUNT (4.75" X .88", .64")	A/R
	92-7900	FAIRWAY, 7/8" MOUNT (5.75" X .88", .64")	A/R
	104-9877	FAIRWAY, 7/8" MOUNT (5.75" X 1.0", .64")	A/R
SPLIT			
	112-5121	TITAN SPLIT, 7/8" MOUNT (5.75" X .88", .64")	A/R
	112-5123	TITAN SPLIT, 3/4" MOUNT (5.75" X .92", .64")	A/R
SOLID ROUND			
	108-9246	TITAN SOLID ROUND, 7/8" MOUNT (5.50" X .75")	A/R
	108-9247	TITAN SOLID ROUND, 7/8" MOUNT (5.50" X .88")	A/R
	108-9248	TITAN SOLID ROUND, 7/8" MOUNT (6.50" X .75")	A/R
	108-9249	TITAN SOLID ROUND, 7/8" MOUNT (6.50" X .88")	A/R
SOLID SLICING			
	108-9242	TITAN SOLID SLICING, 7/8" MOUNT (5.50" X .75")	A/R
	108-9243	TITAN SOLID SLICING, 7/8" MOUNT (6.50" X .75")	A/R
SOLID CROSS			
	108-9259	TITAN CROSS, 7/8" MOUNT (5.50" X .88")	A/R
SOLID NEEDLE			
	100-3620*	TITAN SOLID NEEDLE (6.43" X .188")	A/R
	100-3621*	TITAN SOLID NEEDLE (7.38" X .313")	A/R

*Not illustrated. **Not sold separately. See pages 20-33 for kit contents. Prices subject to change without notice. Please see your Parts Catalog or Master Parts Viewer to ensure the correct part is ordered, as the part you need may not be listed above. toro.com/parts

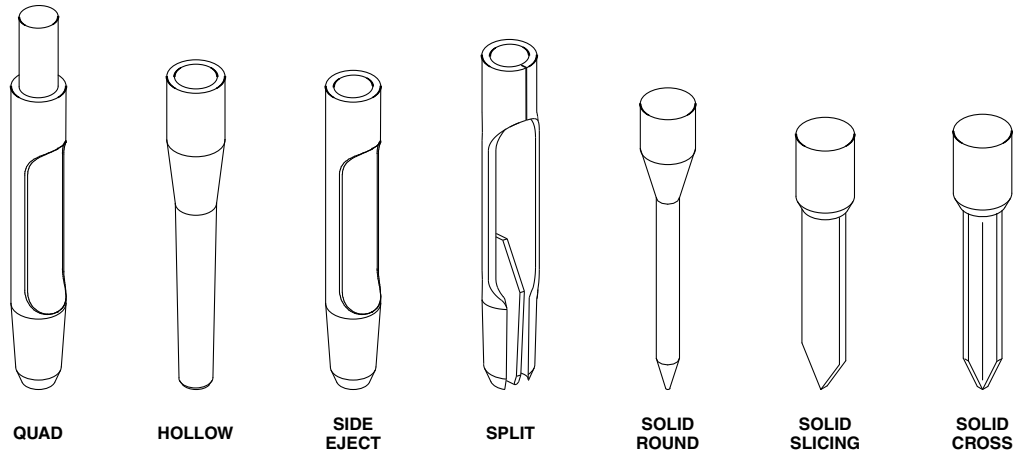
AERATORS

TINES FOR COMPETITIVE MODELS – 1/2" AND 5/8" MOUNT



Tines for Competitive Models – 1/2" and 5/8" Mount

	Part No.	Description	Qty.
QUAD	112-1316	TITAN QUAD 1/2" (4.5" X .46", .32")	A/R
	112-1322	TITAN MAX QUAD 1/2" (4.5" X .480")	A/R
SOLID ROUND	112-1347	TITAN SOLID ROUND 1/2" (4.50" X .500")	A/R
	112-1329	TITAN SOLID ROUND 1/2" (5.50" X .250")	A/R
	112-1330	TITAN SOLID ROUND 1/2" (5.50" X .375")	A/R
SOLID CROSS	112-5105	TITAN SOLID CROSS 3/8" (5.50" X .500") (INCL 1/2" SLEEVE)	A/R
SOLID SLICING	112-5102	TITAN SOLID SLICING 3/8" (5.00" X .625") (INCL 1/2" SLEEVE)	A/R
	112-1300	ORDER 114-0583	
	114-0583	SLEEVE - 1/2" (FOR 3/8" TINES)	A/R
QUAD	112-1332	TITAN QUAD 5/8" (4.5" X .458")	A/R
HOLLOW	112-1306	TITAN HOLLOW 5/8 (4.50")	A/R
	112-1307	TITAN MAX HOLLOW 3/4" (4.50" X .580")	A/R
SIDE EJECT	112-1303	TITAN SIDE EJECT 5/8" (4.50" X .560")	A/R
	112-1304	TITAN MAX SIDE-EJECT 5/8" (4.50" X .580")	A/R
SOLID ROUND	112-1348	TITAN SOLID ROUND 5/8" (4.50" X .625")	A/R
SOLID CROSS	112-5106	TITAN SOLID CROSS 3/8" (4.50" X .500") (INCL 5/8" SLEEVE)	A/R
SOLID SLICING	112-5103	TITAN SOLID SLICING 3/8" (5.00" X .625") (INCL 5/8" SLEEVE)	A/R
	112-1301	SLEEVE - 5/8" (FOR 3/8" TINES)	A/R

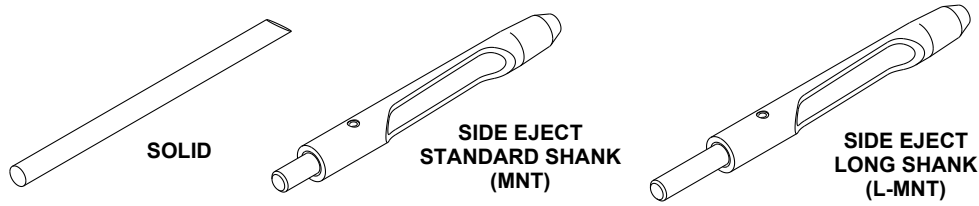


Procore[®] SR Series

Ref. No.	Part No.	Description	Qty.
1	117-7190	ADAPTER HEAD KIT - 10 5/16" TINES PER HEAD	A/R
1	117-7192	ADAPTER HEAD KIT - 8 3/8" TINES PER HEAD	A/R
2	117-7191	ADAPTER HEAD KIT - 10 12mm TINES PER HEAD	A/R
3	117-7193	ADAPTER HEAD KIT - 6 5/16" or 6 3/8" TINES PER HEAD	A/R
4	117-7194	ADAPTER HEAD KIT - 2 18mm TINES PER HEAD	A/R
5	117-7195	ADAPTER HEAD KIT - 2 5/16" or 2 12mm TINES PER HEAD	A/R
6	117-7196	ADAPTER HEAD KIT - 4 5/16" or 4 3/8" TINES PER HEAD	A/R
7	117-7199	ADAPTER HEAD KIT - 8 3/8" TINES PER HEAD	A/R
8	117-7198	ADAPTER HEAD KIT - 4 12mm or 3 18mm TINES PER HEAD	A/R
9	SGA10375	ADAPTER SLEEVE - 5/16" TINE to 12mm HOLE (MNT)	A/R
10	SGA08313	ADAPTER SLEEVE - 5/16" TINE to 12mm HOLE (L-MNT)	A/R
10	SGA12375	ADAPTER SLEEVE - 3/8" TINE to 12mm HOLE (L-MNT)	A/R
11	SG715802	ADAPTER SLEEVE - 18mm TINE to 7/8" HOLE (L-MNT)	A/R
12	SG148160	WIRE & SPRING ASSEMBLY (SR72)	12
13	SG481512	SPRING - COMPRESSION (SR72)	12
14	SG482016	LEADING WIRE - DRAW BAR (SR72)	24
14	SG482017	TRAILING WIRE - DRAW BAR (SR72)	12
12	SG487054	WIRE & SPRING ASSEMBLY (SR54)	6
13	SG481512	SPRING - COMPRESSION (SR54)	6
14	SG487255	WIRE - DRAW BAR (SR54)	18
12	SG148154	SPRING & WIRE ASSEMBLY (SR54-S)	12
13	SG487257	SPRING - COMPRESSION (SR54-S)	12
14	SG487256	WIRE - DRAW BAR (SR54-S)	36
13	SG481512	SPRING - COMPRESSION (SR70)	8
14	SG487255	WIRE - DRAW BAR (SR70)	24
12	SG148154	SPRING & WIRE ASSEMBLY (SR70-S)	16
13	SG487257	SPRING - COMPRESSION (SR70-S)	16
14	SG487256	WIRE - DRAW BAR (SR70-S)	48
12	SG148160	WIRE & SPRING ASSEMBLY (SR72)	12
13	SG481512	SPRING - COMPRESSION (SR72)	12
14	SG482016	LEADING WIRE - DRAW BAR (SR72)	24
14	SG482017	TRAILING WIRE - DRAW BAR (SR72)	12
12	SG487278	SPRING & WIRE ASSEMBLY (SR75 HD)	12
13	SG487275	SPRING - COMPRESSION (SR75 HD)	12
14	SG487277	LEADING WIRE - DRAW BAR (SR75 HD)	24
14	SG487276	TRAILING WIRE - DRAW BAR (SR75 HD)	12
	324-8	SCREW - HH	4
	3296-51	NUT - LOCK, NI	2

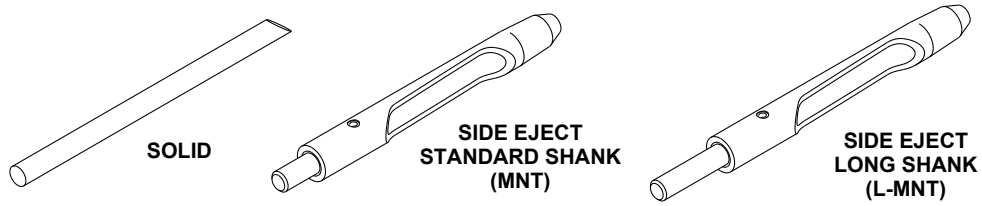
AERATORS

PROCORE[®] SR SERIES TINES



ProCore SR Series Tines

Part No.	Description	SR48	SR54	SR54-S	SR70	SR70-S	SR72	SR75-HD
SOLID								
SGS07313	TINE - 5/16" X 8.50" (5/16" MNT)	X	X	X	X	X	X	
SGS08313	TINE - 5/16" X 10" (5/16" MNT)	X	X	X	X	X	X	
SGS08375	TINE - 3/8" X 9.00" (3/8" MNT)	X	X		X		X	
SGS10374	TINE - 3/8" X 10.75" (3/8" MNT)	X	X		X		X	
SGS10375	TINE - 3/8" X 12.25" (3/8" MNT)	X			X		X	
SGS08500	TINE - 12mm X 8.00" (12mm MNT)	X	X	X	X	X	X	
SGS10504	TINE - 12mm X 10.75" (12mm MNT)	X	X	X		X	X	
SGS10500	TINE - 12mm X 12.25" (12mm MNT)	X					X	
SGS12500	TINE - 12mm X 14.25" (12mm MNT)	X					X	
SGS14500	TINE - 12mm X 16.25" (12mm MNT)	X					X	
SGS10750	TINE - 18mm X 12.25" (18mm MNT)	X					X	X
SGS12750	TINE - 18mm X 14.25" (18mm MNT)	X					X	X
SGS14750	TINE - 18mm X 16.25" (18mm MNT)	X					X	X
SGS10875	TINE - 7/8" X 12.50" (18mm MNT)	X					X	X
SGS12875	TINE - 7/8" X 14.00" (18mm MNT)	X					X	X
SGS14875	TINE - 7/8" X 16.00" (18mm MNT)	X					X	X
SGS10876	TINE - 7/8" X 12.50" (7/8" MNT)							X
SGS12876	TINE - 7/8" X 14.00" (7/8" MNT)							X
SGS14876	TINE - 7/8" X 15.75" (7/8" MNT)							X
SGS16100	TINE - 1" X 17.88" (7/8" MNT)							X
SIDE EJECT STD. SHANK								
SGC05550	TINE ASSEMBLY - .500" X 5.5" (3/8" MNT)		X		X			
SGT05550	TUBE ASSEMBLY - .500" X 5.5"		X		X			
SGC07624	TINE ASSEMBLY - .687" X 7.0" (12mm MNT)		X	X	X	X		
SGT07625	TUBE ASSEMBLY - .687" X 7.0"		X	X	X	X		
SGC07754	TINE ASSEMBLY - .813" X 7.0" (12mm MNT)		X	X	X	X		
SGT07750	TUBE ASSEMBLY - .813" X 7.0"		X	X	X	X		
SGC10754	TINE ASSEMBLY - .750" X 10.0" (12mm MNT)		X	X	X	X		
SGT10750	TUBE ASSEMBLY - .750" X 10.0"		X	X	X	X		
SGC08123	TINE ASSEMBLY - 1.31" X 8.0" (7/8" MNT)							X
SGT08125	TUBE ASSEMBLY - 1.31" X 8.0"							X
SGC12123	TINE ASSEMBLY - 1.31" X 12.0" (7/8" MNT)							X
SGT12125	TUBE ASSEMBLY - 1.31" X 12.0"							X
SIDE EJECT LONG SHANK								
SGC07625	TINE ASSEMBLY - .687" X 7.0" (12mm L-MNT)	X					X	
SGT07625	TUBE ASSEMBLY - .687" X 7.0"	X					X	
SGC07750	TINE ASSEMBLY - .813" X 7.0" (12mm L-MNT)	X					X	
SGT07750	TUBE ASSEMBLY - .813" X 7.0"	X					X	
SGC10755	TINE ASSEMBLY - .750" X 10.0" (12mm L-MNT)	X					X	
SGT10750	TUBE ASSEMBLY - .750" X 10.0"	X					X	
SGC10813H	TINE ASSEMBLY - .810" X 10.0" (12mm L-MNT)	X					X	
SGT10813H	TUBE ASSEMBLY - .810" X 10.0"	X					X	
SGC10750	TINE ASSEMBLY - .750" X 10.0" (18mm L-MNT)	X					X	X
SGT10750	TUBE ASSEMBLY - .750" X 10.0"	X					X	X



ProCore SR Series Tines

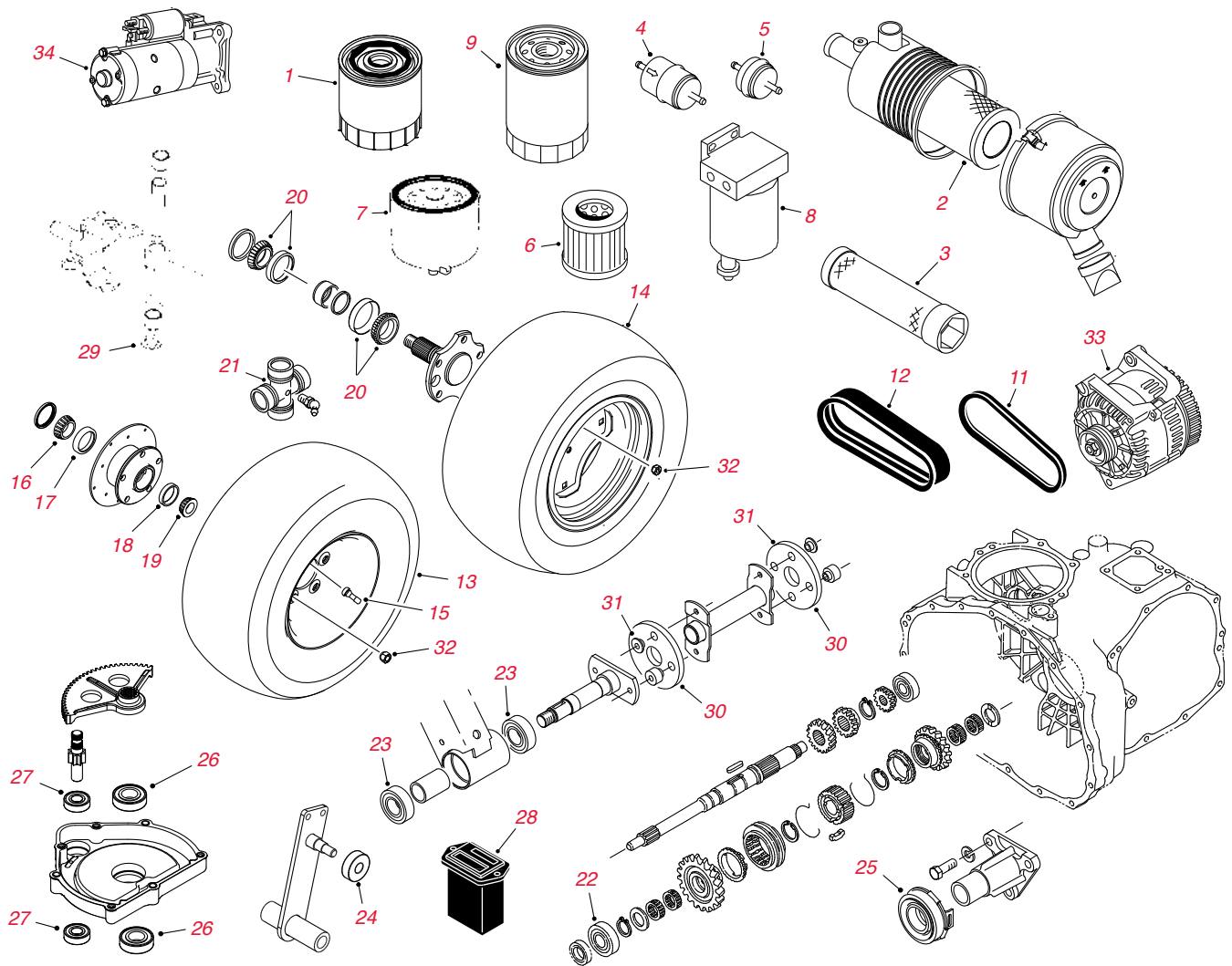
Part No.	Description	SR48	SR54	SR54-S	SR70	SR70-S	SR72	SR75-HD
<i>SIDE EJECT LONG SHANK</i>								
SGC08100H	TINE ASSEMBLY - 1.06" X 8.0" (18mm L-MNT)	x					x	x
SGT08100H	TUBE ASSEMBLY - 1.06" X 8.0"	x					x	x
SGC10100H	TINE ASSEMBLY - 1.06" X 10.0" (18mm L-MNT)	x					x	x
SGT10100H	TUBE ASSEMBLY - 1.06" X 10.0"	x					x	x
SGC10100S	TINE ASSEMBLY - 1.00" X 10.0" (18mm L-MNT)	x					x	x
SGC08125	TINE ASSEMBLY - 1.31" X 8.0" (18mm L-MNT)	x					x	x
SGT08125	TUBE ASSEMBLY - 1.31" X 8.0"	x					x	x
SGC12125	TINE ASSEMBLY - 1.31" X 12.0" (18mm L-MNT)	x					x	x
SGT12125	TUBE ASSEMBLY - 1.31" X 12.0"	x					x	x



UTILITY VEHICLES & SPRAYERS

UTILITY VEHICLES & TURF EQUIPMENT

WORKMAN[®] SERIES



Workman Series

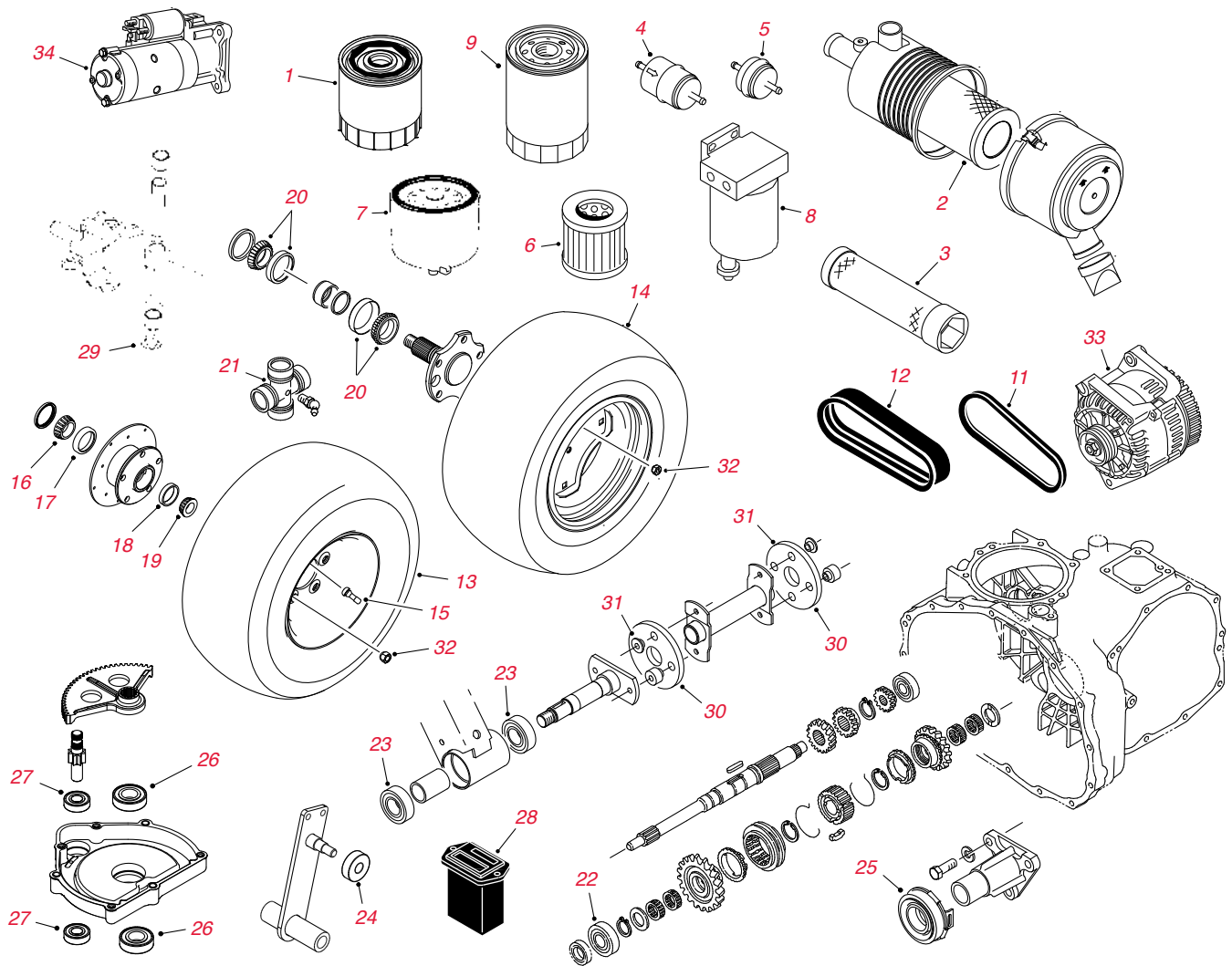
Ref. No.	Part No.	Description	Qty.
1	492932S	ORDER 107-7817	1
1	107-7817	FILTER - ENGINE OIL (2100/2110 2000-07 & MDX)	1
1	42-9030	FILTER - ENGINE OIL (3200 - 1993-94 ONLY)	1
1	115-8189	FILTER - ENGINE OIL (HDX/HDX-D 2013 & UP, MDX/MDX-D 2012 & UP)	1
1	67-4330	ORDER 108-3841	1
1	108-3841	FILTER - ENGINE OIL (1300D & 3000/4000 SERIES - 1993-2001)	1
1	99-9016	ORDER 108-3842	1
1	99-9017	ORDER 108-3842	1
1	83-1760	ORDER 108-3842	1
1	108-3842	FILTER - ENGINE OIL (3000/4000 2012 & OLDER & HDX/HDX-D)	1
1	115-8189	FILTER - ENGINE OIL (HDX/HDX-D 2013 & UP MDX/MDX-D 2012 & UP)	1
1	108-3847	FILTER - ENGINE OIL HDX AUTO	1
2	93-2195	ORDER 108-3811	1
2	108-3810	ELEMENT - AIR FILTER (GTX/MD, MDX, MDX-D, HDX 2012 & OLDER, HDX AUTO)	1
2	108-3811	ELEMENT - AIR FILTER (MD, MDX, MDX-D, HDX 2012 & OLDER, HDX AUTO)	1
2	33-1300	ORDER 108-3808	1
2	108-3808	ELEMENT - AIR FILTER (1993-98)	1

Workman Series

Ref. No.	Part No.	Description	Qty.
3	98-2982	SAFETY ELEMENT - AIR FILTER	1
4	18-1520	ORDER 108-3831	1
4	99-9403	ORDER 108-3831	1
4	108-3831	IN-LINE FUEL FILTER	1
4	94-2690	FILTER - GAS FUEL (1000/2000/MD/MDX)	1
4	99-9404	ORDER 108-3854	1
4	105-8045	ORDER 108-3854	1
4	108-3832	ORDER 108-3854	1
4	108-3854	Gas Fuel Filter (3000/4000 2000 UP & HD 2012 & OLDER)	1
*	115-7818	FILTER - FUEL (HDX, HDX AUTO 2013 & UP)	1
5	115-7854	IN-LINE FUEL FILTER (GTX/MD/MDX/HD/HDX/HDX AUTO)	1
6	43-2550	FILTER - ELECTRIC FUEL PUMP (DIESEL)	1
7	63-8300	FILTER - WATER SEPARATOR (DIESEL)	1
*	110-9029	Bio-Diesel Fuel Hose Kit (3300D/4300D)	1
	115-5305	CAP-FUEL (3300/4300)	1
8	110-9049	ELEMENT - FUEL/WATER SEPARATOR (HDX-D/MDX-D)	1
9	54-0110	FILTER - HYDRAULIC OIL (3000/4000/HD/HDX/HDX-D/HDX AUTO)	1
*	30005**	400 Hour Filter MVP Kit (1100/1110/MD)	A/R
*	30004**	400 Hour Filter MVP Kit (2100/2110/MDX)	A/R
*	30017**	400 Hour Filter MVP Kit (3200/4200 - 2002 & Up)	A/R
*	30017**	400 Hour Filter MVP Kit (3300D/4300D - 2002 & Up)	A/R
*	30073**	400 Hour Filter MVP Kit (HDX 2012 & Older)	A/R
*	30068**	400 Hour Filter MVP Kit (HDX-D 2012 & Older)	A/R
*	30248**	400 Hour Filter MVP Kit (HDX 2013 & Up)	A/R
*	30249**	400 Hour Filter MVP Kit (HDX-D 2013 & Up)	A/R
	131-8276**	400 Hour Filter MVP Kit (HDX-Auto 2014 & Up)	A/R
	136-6280**	400 Hour Filter MVP Kit (GTX)	
11	93-7140	V-BELT - HYDRAULIC PUMP (1300D)	1
11	98-2947	V-BELT - ALTERNATOR/WATER PUMP (1300D)	1
11	99-7133	V-BELT - STARTER (2100/2110)	1
11	99-7144	V-BELT - CVT TRANSMISSION (2100/2110)	1
11	87-3200	V-BELT - GOVERNOR (3200/4200 1993-2001)	1
11	87-3210	V-BELT - HYDRAULIC PUMP (3200/4200 1993-2001)	1
11	93-7140	V-BELT - HYDRAULIC PUMP (3200/4200 2002 & UP)	1
11	92-2041	V-BELT - ALTERNATOR/WATER PUMP (3200/4200 1993-2001)	1
11	99-9156	V-BELT - ALTERNATOR/WATER PUMP (3200/4200 2002 & UP)	1
11	87-3200	V-BELT - GOVERNOR (3210/3220/3420)	1
11	92-2041	V-BELT - ALTERNATOR/WATER PUMP (3210/3220/3420)	1
11	87-3210	V-BELT - HYDRAULIC PUMP (3300D/4300D 1993-1997)	1
11	93-7140	V-BELT - HYDRAULIC PUMP (3300D/4300D 1998 & UP)	1
11	67-4410	V-BELT - ALTERNATOR/WATER PUMP (3300D/4300D 1993-1997)	1
11	98-2947	V-BELT - ALTERNATOR/WATER PUMP (3300D/4300D 1998-2001)	1
11	99-9156	V-BELT - ALTERNATOR/WATER PUMP (3300D/4300D 2002 & UP)	1
11	93-7140	V-BELT - HYDRAULIC PUMP (3310D/3320D)	1
11	110-3796	V-BELT - ALTERNATOR/PULLEY ASM (HDX/HDX-D 2013 & UP)	1
11	112-3131	V-BELT - STARTER (MD)	1
11	112-2911	V-BELT - STARTER (MDX)	1
11	112-2511	V-BELT - STARTER (MDX-D)	1
11	87-8370	V-BELT - HYDRAULIC PUMP DRIVE (3100/3120/HD)	1
11	117-4922	V-BELT - ALTERNATOR/WATER PUMP (HDX/HDX-D 2012 & OLDER)	1
11	121-9612	BELT - CVT GEARBOX ASSEMBLY (HDX AUTO)	1
12	99-7143	MULTI-ROW V-BELT - TRANSMISSION DRIVE (1100/MD)	1
12	112-2912	MULTI-ROW V-BELT - TRANSMISSION DRIVE (MDX)	1
13	99-7300	TIRE - FRONT (20 X 10 - 8) 4-PLY (1100)	2
	104-7289	ORDER 127-7435	
13	127-7435	TIRE - FRONT (22 X 9.5 - 10) 4-PLY (1100/2100/2110)	4
13	104-7064	TIRE - FRONT (22 X 9.5 - 10) 4-PLY TURF-TRAC R/S (2110)	2
	104-7281	ORDER 131-6667	
13	131-6667	TIRE - FRONT (24 X 12 - 10) 4-PLY T-T R/S (2110)	4
13	87-3300	ORDER 94-5261	2

UTILITY VEHICLES & TURF EQUIPMENT

WORKMAN® SERIES



Workman Series

Ref. No.	Part No.	Description	Qty.
13	94-5261	TIRE - FRONT (20 X 10 - 10) 4-PLY RIBBED (3000/4000)	2
13	112-2984	ORDER 112-3163	2
13	112-3163	TIRE - FRONT (20 X 10 - 10) 6-PLY TURF-TRAC (3000/4000)	2
13	94-5236	TIRE - FRONT 4WD (20 X 10 - 10) 6-PLY MULTI-TRAC (3000/4000)	2
	104-7289	ORDER 127-7435	
13	127-7435	TIRE - FRONT (22 X 9.5 - 10) 4-PLY (1100/2100/2110)	2
	104-7289	ORDER 127-7435	
13	127-7435	TIRE - FRONT (22 X 9.5 - 10) 4-PLY (MD/MDE/MDX)	2
13	114-8273	ORDER 131-6670	2
13	131-6670	TIRE - FRONT (20 X 9 - 12) 6-PLY TURF-TRAC (HD/HDX/HDX-D)	2
	104-7289	ORDER 127-7435	
14	127-7435	TIRE - REAR (22 X 9.5 - 10) 4-PLY (1100/2100/2110)	4
14	108-7007	TIRE - REAR (22.5 X 10 - 8) 4-PLY TURF-TRAC R/S (1000/2000)	2
	104-7281	ORDER 131-6667	
14	131-6667	TIRE - REAR (24 X 12 - 10) 4-PLY T-T R/S (2110)	4
14	94-9388	ORDER 87-3290	2
14	42330	ORDER 87-3290	2

UTILITY VEHICLES & TURF EQUIPMENT

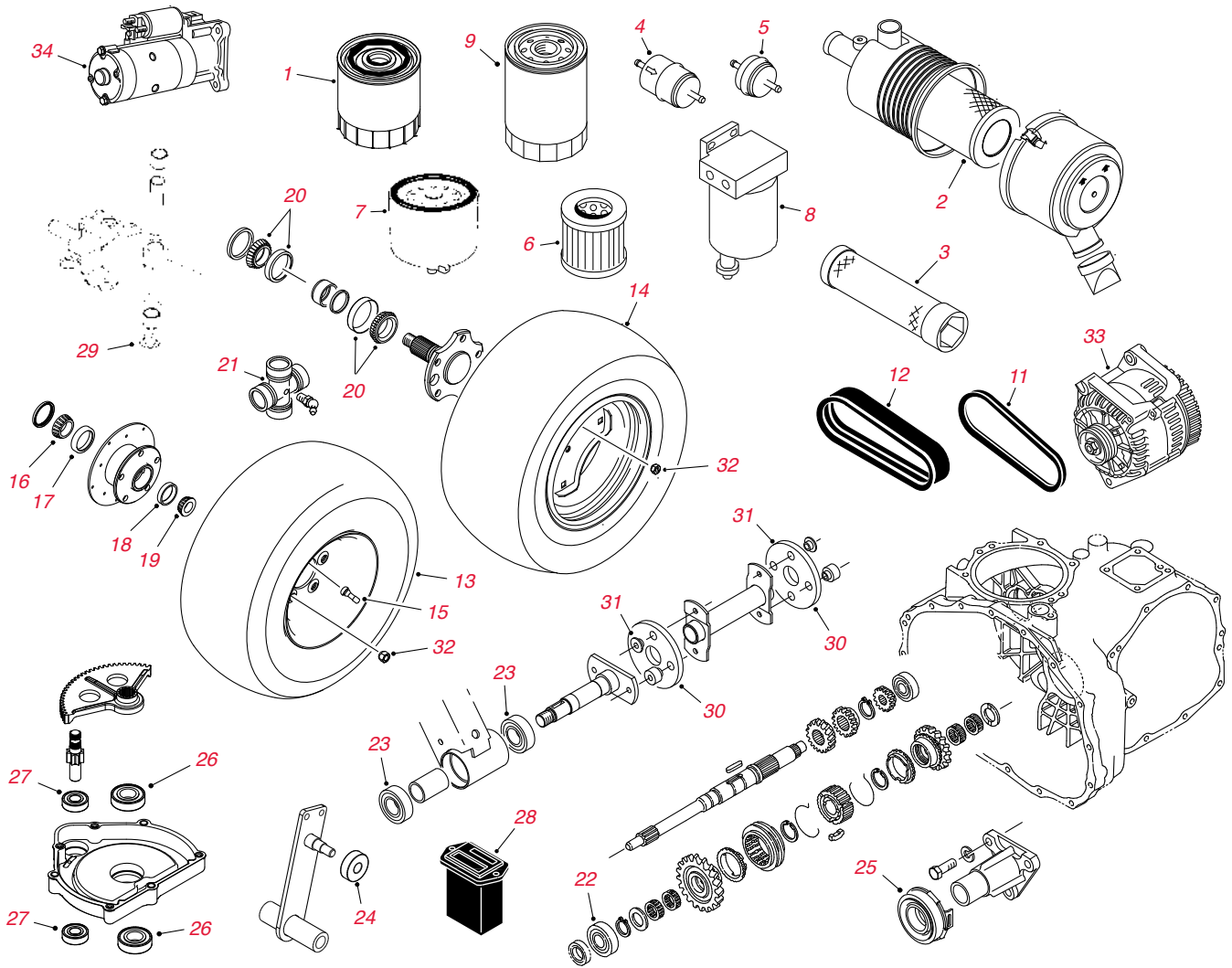
WORKMAN® SERIES

Workman Series

Ref. No.	Part No.	Description	Qty.
14	87-3290	TIRE - REAR (23 X 10.5 - 12) 4-PLY TURF-TRAC (3000/4000)	2
14	105-1781	ORDER 106-7868	2
	106-7868	ORDER 131-6673	2
	131-6673	TIRE - REAR (24 X 12 - 12) 6-PLY (3000/4000/HD/HDX/HDX-D)	2
14	42685	ORDER 110-5132	2
14	87-6740	ORDER 110-5132	2
14	110-5132	TIRE - REAR (24 X 13 - 12) 6-PLY (3000/4000)	2
14	99-1091	TIRE - REAR (23 x 10.5 - 12) 4-PLY SAWTOOTH (HDX)	2
	106-7868	ORDER 131-6673	2
	131-6673	TIRE - REAR (24 X 12 - 12) 6-PLY (3000/4000/HD/HDX/HDX-D)	2
14	104-7281	ORDER 131-6667	2
14	131-6667	TIRE - REAR (24 X 12 - 10) 4-PLY TURF-TRAC R/S (2110/MDX)	
14	104-7289	ORDER 127-7435	2
14	127-7435	TIRE - REAR (22 X 9.5 - 10) 4-PLY (1100/2100/2110)	
*	131-8319	TIRE ASM (GTX)	2
*	87-3470	BUMPER	1
15	5108	VALVE STEM	4
16	254-106	BEARING CONE - 2WD FRONT WHEEL INNER	2
17	254-107	BEARING CUP - 2WD FRONT WHEEL INNER	2
18	254-72	BEARING CUP - 2WD FRONT WHEEL OUTER	2
19	254-94	BEARING CONE - 2WD FRONT WHEEL OUTER	2
20	87-1970	BEARING - REAR AXLE (3000/4000)	4
21	92-4187	CROSS & BEARING KIT (3000/4000/HD/HDX/HDX-D)	4
22	251-8	BEARING - TRANSAXLE (300/400/HD/HDX/HDX-D)	1
23	251-82	BEARING - HYDRAULIC PUMP DRIVE (3000/4000)	2
24	251-307	ORDER 251-259	1
24	251-259	BEARING (NEUTRAL ARM - 1100/1110/2100/2110/MD/MDX)	1
25	110-2538	BEARING - CLUTCH (3000/4000/HD/HDX/HDX-D - 2006 & UP)	1
26	251-82	BEARING - BALL (1000/2000/MD/MDX/MDE STEERING)	2
27	38-7820	BEARING - BALL (1000/2000/MD/MDX/MDE STEERING)	2
	251-346	BEARING - BALL (3100/3200/4200/4300/HD/HDX)	2
28	75-6820	HOUR METER (1993-03)	1
29	256-115	WASHER - THRUST STEERING	2
30	44-2230	ORDER 115-4523	2
30	115-4523	COUPLING - HYDRAULIC PUMP DRIVE	2
31	125-9249	SPACER - COUPLING	4
32	242-50	LUG NUT - 1/2"-20 (1000/2000/MD/MDX/HD/HDX/HDX-D)	10
*	125-9139	SPARK PLUG (HDX (2013 & UP)	
33	92-2025	ALTERNATOR (3210/3220/3420)	1
33	67-4630	ALTERNATOR (3300D/4300D 1993-1998)	1
33	100-9394	ALTERNATOR (3300D/4300D 1998-2001)	1
33	99-9209	ALTERNATOR (3300D/4300D 2002 & UP)	1
33	92-2025	ALTERNATOR (3200/4200 1993-2001)	1
33	99-9209	ALTERNATOR (3200/4200 2002 & UP)	1
34	99-7108	ORDER 119-9545	
34	131-8444	STARTER/GENERATOR (1100/1110/2100/2110/MD/MDX)	1
34	115-9473	ALTERNATOR (HDX/HDX-D 2009-2013)	
34	121-6288	STARTER (3210/3220/3420)	1
34	112-1350	STARTER (3310D/3320D)	1
34	112-1350	STARTER (3300D/4300D 1993-2001)	1
34	110-2598	STARTER (3300D/4300D 2002 UP & HDX/HDX-D)	1
34	121-6288	STARTER (3200/4200 1993-2001)	
34	110-2598	STARTER (3200/4200 2002 & UP)	1
*	106-2416	AIR CLEANER ASM (3200/3300/4200/4300D/HDX)	1
	108-3811	AIR FILTER (GTX)	1
	130-8380	SPARKPLUG (GTX)	1
	56-6360	FUEL FILTER (GTX)	1

UTILITY VEHICLES & TURF EQUIPMENT

WORKMAN® SERIES

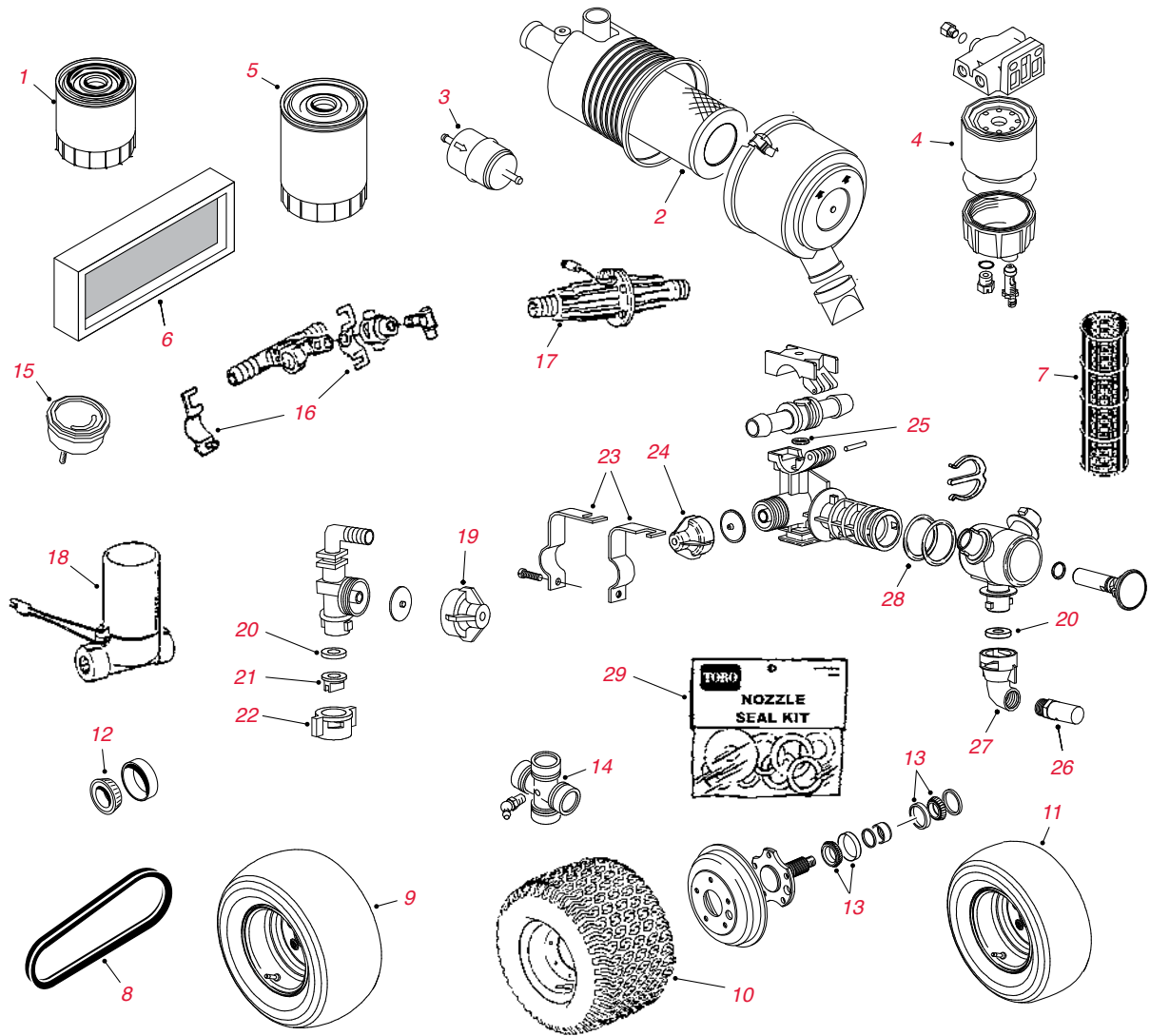


Workman Series

Ref. No.	Part No.	Description	Qty.
*	104-6478	SPRING - EXTENSION (MD/MDX/MDX-D/GTX)	4
*	104-9219	CLUTCH DISC (HD/HDX/HDX-D)	1
*	106-5269	IGNITION SWITCH ASM	1
*	106-6691	CABLE - BRAKE, PARK (3100/3200/3300/4200/4300)	2
*	106-6698	CABLE - HI LOW (3100/3300/4200/4300)	1
*	106-6726	STEERING PUMP ASM (3100/3200/3300/4200/4300)	1
*	106-7865	MOUNT - ENGINE (HD/HDX/HDX-D)	2
*	106-7962	HOSE - HYD (3100/3200/3300/4200/4300)	1
*	110-2536	BALL JOINT - LH (3100/3200/3300/4200/4300)	2
*	110-2537	BALL JOINT - RH (3100/3200/3300/4200/4300)	2
*	110-2548	CABLE - CLUTCH (3100/3200/3300/4200/4300)	1
*	110-2549	CABLE - ACCELERATOR, LIQUID (3200/3300/4200/4300)	1
*	114-8385	FAN - ELECTRIC (HDX/HDX-D)	1
*	115-2165	BALL JOINT (4200/4300/HD/HDX/HDX-D/HDX AUTO)	1
*	115-2283	CABLE - BRAKE, PARK (HD/HDX/HDX-D)	2
*	115-2284	CABLE - CLUTCH (HD/HDX/HDX-D)	1
*	115-2285	CABLE - ACCELERATOR (HDX/HDX-D 2009-2013)	1
*	115-2292	TIMER - GLOW PLUG (4300/HDX-D 2009-2013)	1
*	115-7753	HOSE - COOLANT, UPPER (HDX/HDX-D 2009-2013)	1
*	115-7811	CABLE - SELECTOR, GEAR (HD/HDX/HDX-D)	1
*	115-7812	CABLE - HI LOW (HD/HDX/HDX-D)	1
*	117-4861	HOSE - HYD (HD/HDX/HDX-D/HDX AUTO)	2
*	121-9774	ABSORBER - SHOCK (3100/3200/3300/4200/4300/HD/HDX/HDX-D/HDX AUTO)	2
*	2411-33	BALLJOINT - RH (W/ GROMMET) (HD/HDX/HDX-D)	1
*	32136-2	NUT - SHH (3100/3200/3300/4200/4300)	1
*	32144-1	SCREW - TAPTITE (GTX)	3
*	32144-4	SCREW - HWH (HD/HDX AUTO/MD/MDE/MDX/MDX-D)	2
*	32149-2	NUT - KEPS (MD/MDE/MDX/MDX-D)	2
*	3234-42	SCREW - HHF	1
*	325-13	SCREW - HH (HD/HDX/HDX-D/HDX AUTO)	2
*	3256-28	WASHER - FLAT (HD)	1
*	3296-45	NUT - LOCK, NI (MD/MDX/MDX-D)	2
*	353-781	FITTING - ELBOW (MDX-D)	1
*	68-3270	BUMPER - RUBBER (MDX-D)	1
*	87-1430	JOINT - BALL	4
*	87-1490	SPRING - LEAF, REAR	2
*	87-3770	BUSHING - HOUSING, BELL (HD/HDX/HDX-D)	2
*	87-3920	BUSHING (HD/HDX/HDX-D/HDX AUTO)	8
*	87-4260	CABLE - SELECTOR, GEAR	2
*	87-4760	BUSHING - RUBBER (HD/HDX/HDX-D/HDX AUTO)	12
*	93-7128	DRUM - BRAKE (3100/3200/3300/4200/4300)	2
*	94-4208	HOURLMETER (MD/MDX/MDX-D)	1
*	95-1653	SWITCH - POLE, SINGLE (HD/HDX/HDX-D/HDX AUTO)	1
*	98-1471	WHEEL - STEERING (3100/3200/3300/4200/4300/MD/MDE/MDX/MDX-D/HD/HDX/HDX-D/HDX AUTO)	1
*	136-6296	V-BELT, ENGINE, CLUTCH/AIR CLEANER (MDX)	1
*	131-6690	SEAT COVER, SMALL	1
*	137-1311	MESH SEAT COVER, SMALL	1
*	106-7974	HOSE - HYD (HD/HDX/HDX-D/HDX AUTO)	3
*	115-7771	SHAFT, SPLINED (HD/HDX/HDX-D)	2
*	106-2271	SHAFT - PIVOT (3100/3200/3300/4200/4300)	1
*	87-2720-03	SHAFT - MASK (3200/3300/4200/4300)	1
*	86-6560	WASHER - THRUST (HD/HDX/HDX-D)	1
*	119-0654	ADJUSTER - SEAT, LOCKING (HD/HDX/HDX-D)	2
*	106-5270	IGNITION KEY SET (MD/MDE/MDX/MDX-D/HD/HDX/HDX-D/HDX AUTO/GTX)	1
*	100-1854	PLUG - GLOW (MDX-D/HDX-D)	2
*	106-5269	IGNITION SWITCH ASM (MDX/MDX-D/HD/HDX/HDX-D/GTX)	1
*	114-3315	SOLENOID (MD/MDX/GTX)	1

UTILITY VEHICLES & TURF EQUIPMENT

MULTI PRO™



Multi Pro

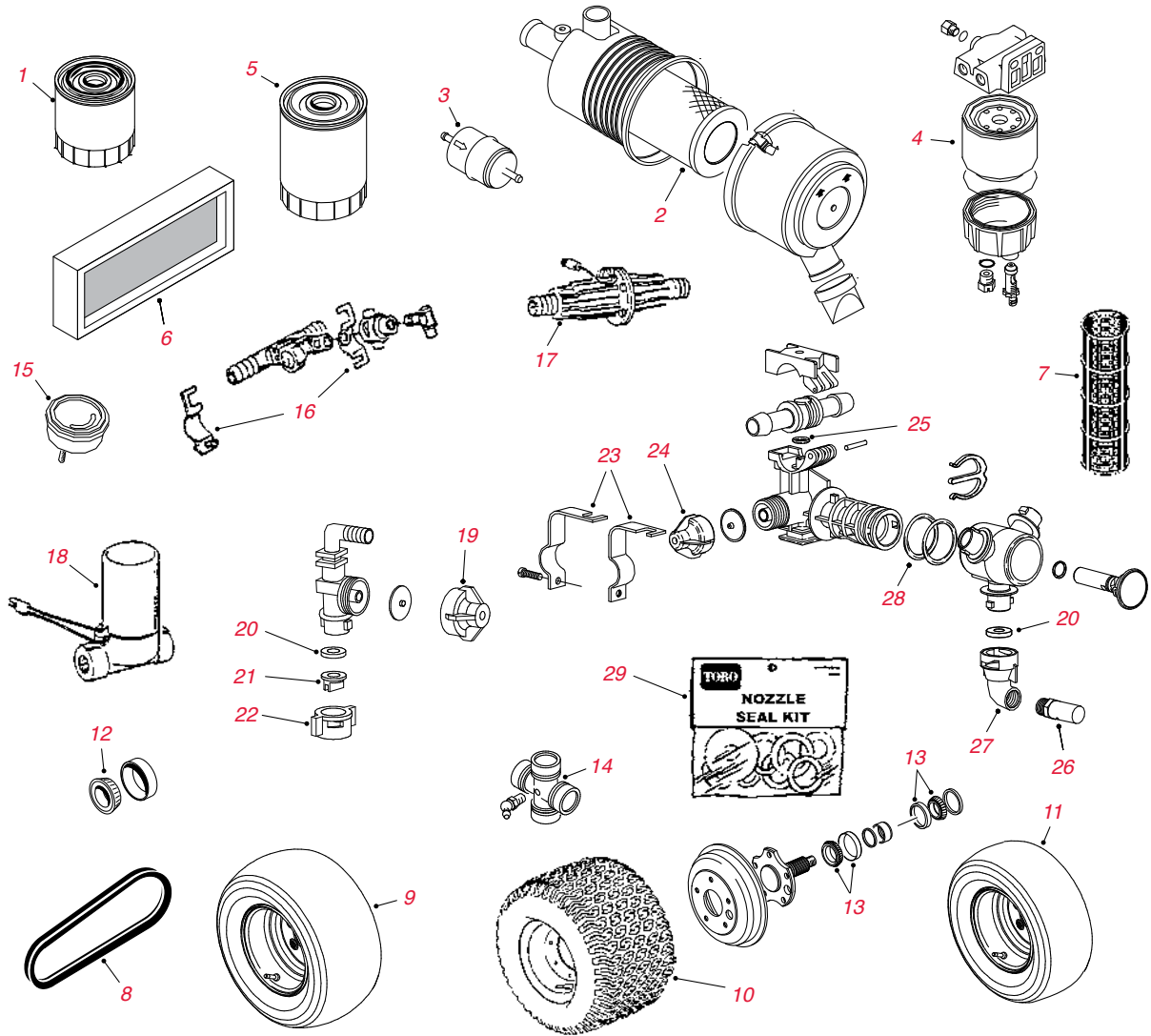
Ref. No.	Part No.	Description	Qty.
1	108-3841	FILTER - ENGINE OIL (5700D/5800D)	1
1	108-3847	FILTER - ENGINE OIL (1100/1200/1250/1750)	1
1	95-3304	ORDER 108-3817	1
1	108-3817	FILTER - ENGINE OIL (5500/5600)	1
2	41905	ORDER 106-4904	1
2	106-4904	ELEMENT - AIR FILTER (5200/5900/5600)	1
2	108-3810	ELEMENT - AIR FILTER (5700D, 5800D)	1
3	41770	ORDER 108-3854	1
3	108-3832	ORDER 108-3854	1
3	108-3854	FILTER - FUEL (5200/5500/5600)	1
3	98-7612	FILTER - FUEL, PLASTIC (5700D)	1
3	108-3828	FILTER - FUEL, METAL (5700D)	1
4	98-9764	FILTER - WATER SEPARATOR (5700D 2004-2007)	1
4	110-9049	FILTER - WATER SEPARATOR (5700D 2008 & UP/5800D)	1
*	112-9140	BIO-DIESEL FUEL FILTER KIT (5700D)	1
*	112-8400	BIO-DIESEL FUEL PUMP KIT (5700D)	1
*	112-7836	IN-LINE FUEL FILTER (BIO-DIESEL KIT 5700D)	1
*	110-9015	ELEMENT - SEPARATOR (BIO-DIESEL KIT 5700D)	1
*	104-9318	ORDER 108-0638	1
*	108-0638	BOTTLE OVERFLOW	1

Multi Pro

Ref. No.	Part No.	Description	Qty.
5	54-0110	FILTER- HYDRAULIC OIL (1200/1250/1750)	1
5	86-3010	FILTER- HYDRAULIC OIL (5500/5600/5700D)	1
5	75-1310	HYDRAULIC OIL FILTER (5800)	1
6	92-3814	ELEMENT - CAB CHARCOAL (1100/5500)	1
7	100-6992	FILTER - SUCTION, 80 MESH RED (1200/1250/5600/5700/5800)	1
7	100-8642	FILTER - SUCTION, 50 MESH BLUE (1200/1250/5600/5700/5800)	1
7	100-6991	FILTER - SUCTION, 30 MESH GREEN (1200/1250/5600/5800)	1
8	41679	BELT - TRACTION DRIVE (1100)	1
8	117-5896	BELT - ENGINE & GEARBOX ASM (1200/1250)	1
8	98-9676	V-BELT, ALTERNATOR DRIVE (5700 / 5800)	1
9	330802	ORDER 106-9691	2
9	106-9691	TIRE - (18 x 9.5 - 8) 4-Ply (1100/1200)	2
9	93-6486	ORDER 110-5133	2
9	110-5133	TIRE - FRONT (18 X 9.5 - 8) 4-PLY SMOOTH (1100/1200/1250)	2
9	94-9388	ORDER 87-3290	2
9	42330	ORDER 87-3290	2
9	87-3290	TIRE - FRONT (23 X 10.5 - 12) 4-PLY T-T (5200/5500/5600/5700D/5800)	2
9	119-6021	TIRE (23 x 10.5 - 12) 4-PLY; FRONT (5700/5800D)	1
9	117-5196	TIRE (26.5 x 14 - 12) 2-PLY; REAR (5700/5800D)	1
10	42685	ORDER 110-5132	2
10	87-6740	ORDER 110-5132	2
10	110-5132	TIRE - REAR (24 X 13 - 12) 6-PLY (1100/1200/1250)	2
10	98-2373	ORDER 117-5196	2
10	117-5196	TIRE - REAR (26.5 X 14 - 12) 2-PLY U-T (5200/5500/5600/5700D/5800)	2
11	94-8693	WHEEL & TIRE ASSEMBLY (BOOM ENCLOSURE)	2
*	94-8695	ORDER 108-9955	2
10	108-9955	TIRE (15 X 6-6) 2 PLY (BOOM ENCLOSURE)	2
*	87-3470	BUMPER	1
12	94-7283	ORDER 254-62	
*	254-62	BEARING CONE (FRONT WHEEL 5500/5600/5700D/5800)	2
13	87-1970	BEARING - REAR AXLE (1200/1250)	4
13	93-6587	BEARING - (FRONT WHEEL 5500/5600/5700/5800D)	2
12	115-9471	BEARING - CUP (FRONT WHEEL 5800D)	2
*	251-346	BEARING - BALL (1200/1250/1750)	2
14	92-4187	CROSS & BEARING KIT (1200/1250)	4
15	98-2160	VOLTMETER (1200/1250/5600)	1
16	40999	CLAMP ASSEMBLY	1
17	41482	ORDER 117-5802	1
17	117-5802	FLOW METER	1
18	41480	VALVE 1" MOTORIZED CT (1100/3000/5200)	1
19	95-2450	DIAPHRAGM CAP - 20 PSI (1100/1200)	4
20	40998	GASKET (1100/3000/5200/1200/1250/1750/5700D)	A/R
21	117-5835	NOZZLE - XR11005VS	1
21	117-5836	NOZZLE - XR11006VS	1
21	117-5837	NOZZLE - XR11008VS	1
21	117-5838	NOZZLE - XR11010VS (STD)	1
21	117-5839	NOZZLE - XR11015VS	1
22	120-0714	CAP - NOZZLE (1100/1200/1250/3000/5600/5700D)	1
23	95-9185	CLAMP (1100/1200/1250/3000/5600/5700D)	2
24	95-9193	DIAPHRAGM CAP - 10 PSI (1100/1200/1250/1750/5600/5700D/5800)	4
25	95-9191	O-RING (1100/1200/1250/1750/5800)	2
26	95-9188	NOZZLE - SS 1 GPM (STD) (1100/1200/1250)	2
26	95-9221	NOZZLE - SS .2 GPM (1200/1250/5600)	2
26	95-9222	NOZZLE - SS .4 GPM	2
26	95-9223	NOZZLE - SS .5 GPM	2
26	95-9224	NOZZLE - SS .6 GPM	2
26	95-9225	NOZZLE - SS .8 GPM	2

UTILITY VEHICLES & TURF EQUIPMENT

MULTI PRO™



Multi Pro

Ref. No.	Part No.	Description	Qty.
26	95-9226	NOZZLE - SS 1.5 GPM	2
27	95-9186	CAP - 90	2
28	99-0815	SEAL - VITON	2
29	104-8777	ORDER 108-3263	1
29	108-3263**	Seal Mvp Kit (Open Boom Sprayer)	A/R
*	93-6212	FILTER - COMPRESSION (FOAM MAKER KIT)	1
*	94-7227	FILTER - VALVE (FOAM MAKER KIT)	1
*	105-4320	SWITCH	1
*	104-4620	SEAT - STD	1
*	100-3069	RH BRAKE ASM (5700)	1
*	100-3070	LH BRAKE ASM (5700)	1
*	115-2165	BALL JOINT (1750)	1
*	2411-33	BALLJOINT - RH (W/ GROMMET - MP 1750)	1
*	2411-36	BEARING- END, ROD (5800)	1
*	321-10	SCREW - HH	8
*	32136-2	NUT - SHH	4
*	325-12	SCREW - HH	4
*	3256-28	WASHER - FLAT (1250)	1
*	340-139	FITTING - ELBOW 90 (5700)	2
*	353-781	FITTING - ELBOW (5700/5800)	1
*	74-1810	WASHER	2
*	87-1430	JOINT - BALL (1250)	4
*	87-3770	BUSHING - HOUSING, BELL (1750)	2
*	87-3920	BUSHING (5800)	8
*	92-5821	HEAD - FILTER (5700)	1
*	93-2242	FILTER - OIL (5800)	1
	131-3751**	1200/1250/1750 MVP Kit Filter/Screen Suction	1
*	131-6690	SEAT COVER, SMALL	1
*	137-1311	MESH SEAT COVER, SMALL	1
*	115-7771	SHAFT, SPLINED (1750)	2
*	114-3315	SOLENOID (1250)	1
*	117-9875	JOINT - BALL (1750)	2

UTILITY VEHICLES & TURF EQUIPMENT

MULTI PRO[®]

MH-400

Part No.	Description	Qty.
100-8372	BELT-STEERING	1
117-5896	BELT-CVT	1
100-6992	ELEMENT-FILTER, RED	1
115-7854	FILTER-FUEL, INLINE	1
100-6991	ELEMENT-FILTER, GREEN	1
100-8642	SCREEN-SUCTION	1
54-0110	FILTER-OIL, TRANSMISSION	1
108-3263	TURRET SEAL REPAIR KIT, MULTI-PRO 1200, 1250, 5700-D AND WORKMAN 200 S	1
54-9180	U-JOINT KIT	1
110-5132	TIRE - (24 X 13 - 12) 6-PLY	2
110-5133	TIRE - (18 X 9.5 - 8) 4-PLY SMOOTH	2
330802	ORDER 106-9691	-
106-9691	TIRE - (18 x 9.5 - 8) 4-Ply (1100)	2

1200/1250 Turf Sprayer

Part No.	Description	Qty.
100-8372	BELT-STEERING	1
117-5896	BELT-CVT	1
100-6992	ELEMENT-FILTER, RED	1
115-7854	FILTER-FUEL, INLINE	1
100-6991	ELEMENT-FILTER, GREEN	1
100-8642	SCREEN-SUCTION	1
54-0110	FILTER-OIL, TRANSMISSION	1
108-3263	Turret Seal Repair Kit, Multi-Pro 1200, 1250, 5700-D and Workman 200 S	1
54-9180	U-JOINT KIT	1
110-5132	TIRE-Rear, (24 x 13 - 12) 6-Ply, Ultra Trac	2
110-5133	TIRE-Front, (18 x 9.5 - 8) 4-Ply, Smooth	2
93-7128	DRUM - BRAKE	2
106-7865	MOUNT - ENGINE	4

1750 Turf Sprayer

Part No.	Description	Qty.
251-82	BEARING-HYDRAULIC PUMP DRIVE	1
251-8	BALL BEARING	1
92-4187	CROSS & BEARING KIT	1
254-72	BEARING CUP-TAPERED	1
110-2538	BEARING-RELEASE, CLUTCH	1
251-346	BEARING (Qty 2) GEAR SHAFT ASM	1
254-107	BEARING-CUP	1
54-0110	FILTER-OIL, TRANSMISSION	1
108-3847	FILTER-ENGINE, OIL	1
115-7854	IN-LINE FUEL FILTER	1
108-6945	SPARK PLUG	1
125-0765	BELT-SYNCHRONOUS	1
106-6716	SEAL KIT-STEER VALVE	1
110-5132	TIRE-REAR CHEVRON	2
120-7639	TIRE-FRONT	2
108-5675	HYDRAULIC HOSE ASM (2014 & UP)	2
100-1535	SWITCH	1
131-6690	SEAT COVER, SMALL	1
137-1311	MESH SEAT COVER, SMALL	1

5800 Turf Sprayer

Part No.	Description	Qty.
98-9676	V-BELT	1
100-6992	ELEMENT-FILTER, RED	1
108-3810	FILTER-AIR	1
108-3841	FILTER-OIL	1
110-9049	FILTER-SPIN ON	1
100-6991	ELEMENT-FILTER, GREEN	1
100-8642	SCREEN-SUCTION	1
75-1310	ELEMENT-FILTER	1
125-2902	FILTER-FUEL (2015 GASOLINE UNIT)	1
110-9044	SEPARATOR FILTER ASM	1
75-1310	FILTER-HYD	1
120-0781	ROD-CONNECTING	1
117-5196	TIRE - Rear (26.5 x 14 - 12) 2-Ply, Turf Trac	2
120-2114	TIRE - Front (22 x 12 - 12) 4-Ply, Smooth	2
121-9774	ABSORBER - SHOCK	2
100-1535	SWITCH	1
131-6690	SEAT COVER, SMALL	1
137-1311	MESH SEAT COVER, SMALL	1
106-5269	IGNITION SWITCH ASM	1
112-9919	STOP - CABLE, THROTTLE (5800)	1
106-5270	IGNITION KEY SET (5800)	1
106-5269	IGNITION SWITCH ASM (5800)	1

Trailer Sprayers

Part No.	Description	Qty.
95-3465	TIRE (29 X 14 - 15) 6-PLY ULTRA-TRAC (300T)	2
99-0853	FILTER - NOZZLE, 50 MESH (50T/80T)	A/R
100-6756	FILTER - PRESSURE (300T)	1
100-6991	FILTER - SUCTION, 30 MESH GREEN (300T)	1
100-8642	FILTER - SUCTION, 50 MESH BLUE (300T)	1
100-6992	FILTER - SUCTION, 80 MESH RED (300T)	1
100-1535	SWITCH	1
131-6690	SEAT COVER, SMALL	1
137-1311	MESH SEAT COVER, SMALL	1



SPECIALTY



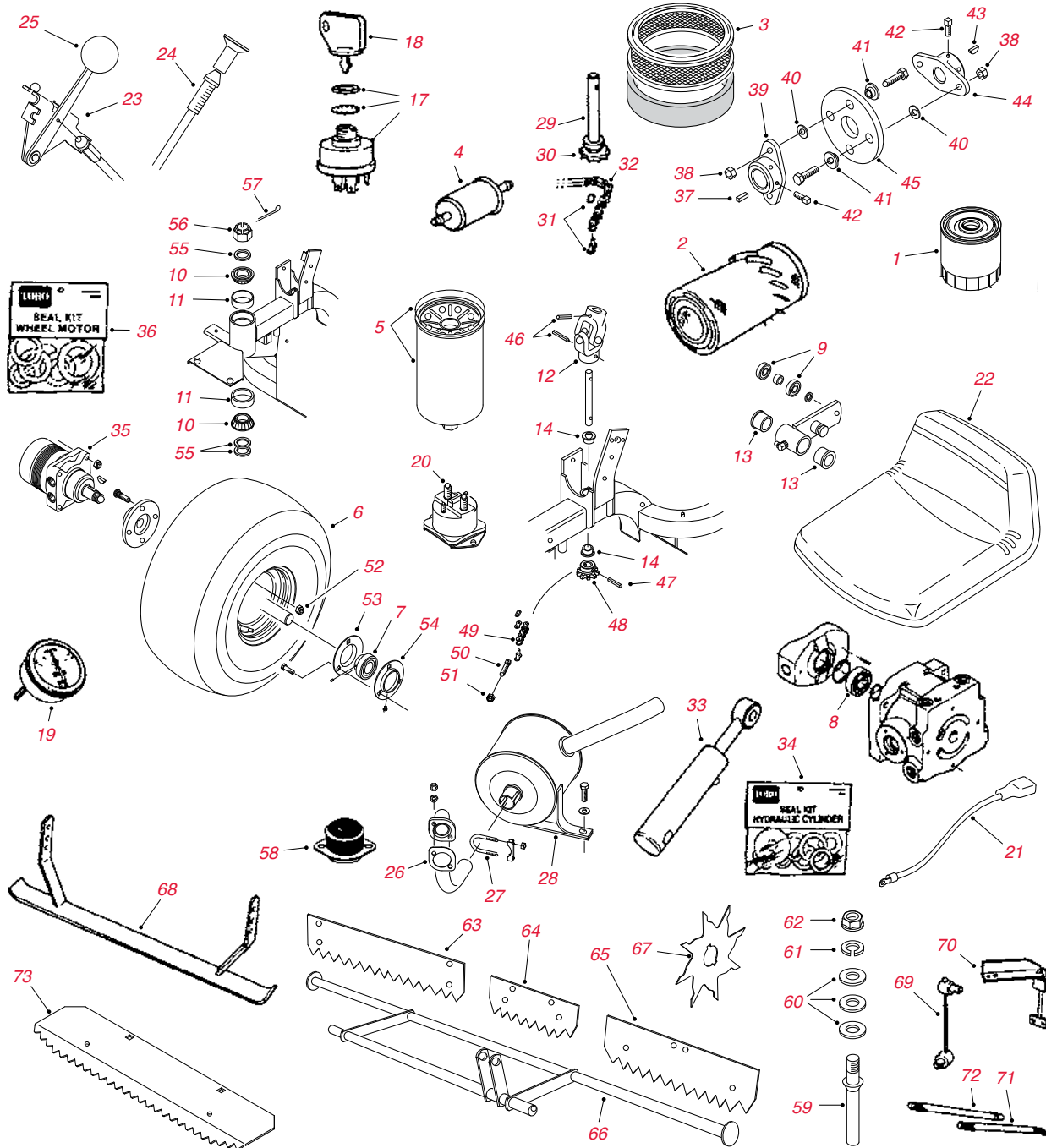
EQUIPMENT

254 SandPro™ / InfieldPro™

260 ProCore® Core Processor

SPECIALTY EQUIPMENT

SAND PRO® / INFIELD PRO®



Sand Pro® / Infield Pro®

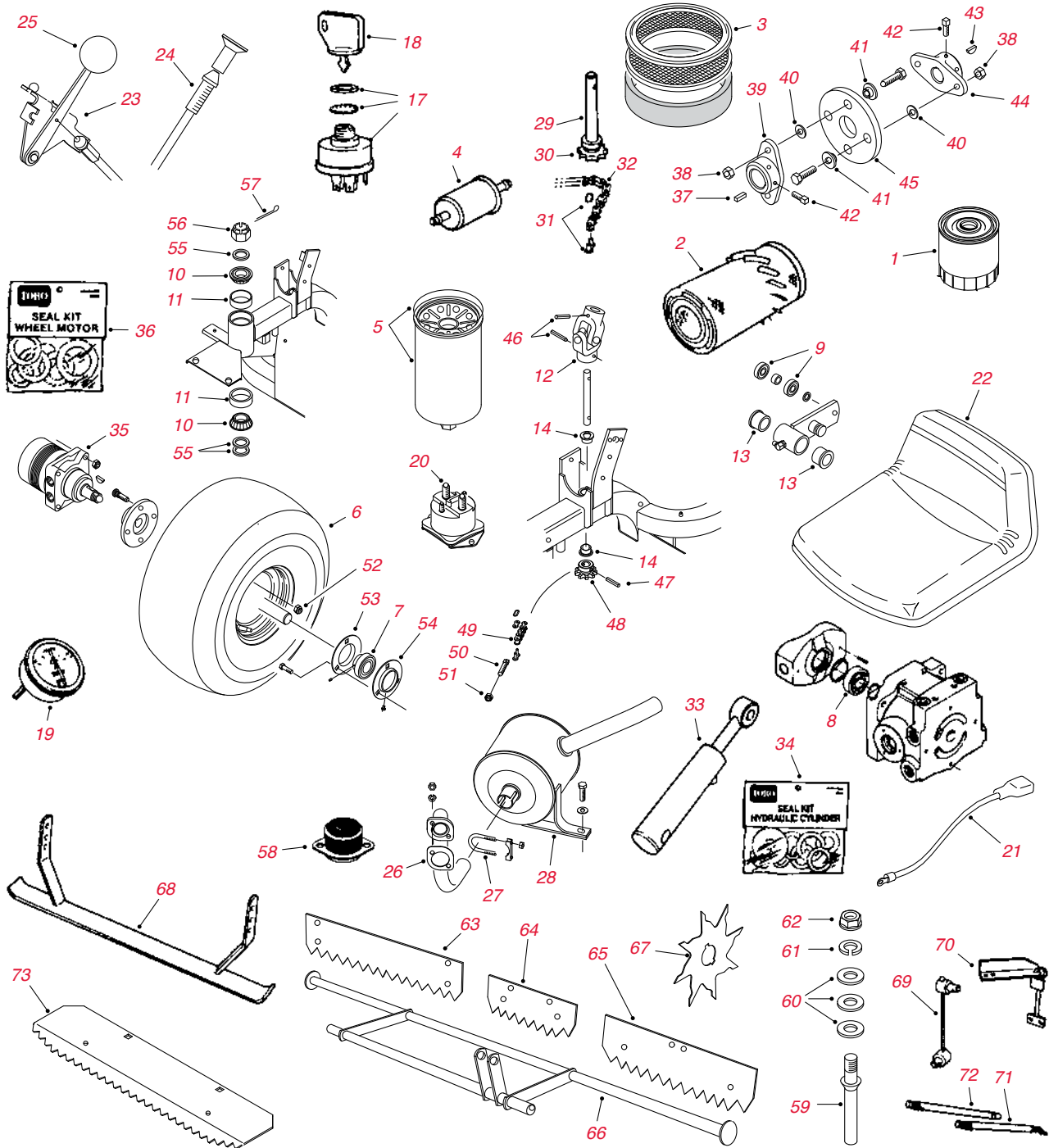
Ref. No.	Part No.	Description	Qty.
1	4929325	ORDER 107-7817	1
1	107-7817	FILTER - ENGINE OIL (2020/3020/3040/5000/5020/5040)	1
2	33-1300	ORDER 108-3808	1
2	108-3808	AIR FILTER (12/14/2000)	1
2	93-2195	ORDER 108-3811	1
2	108-3811	ELEMENT - AIR CLEANER	1
3	92-0527	AIR FILTER ELEMENT (2020/3020/5000/5020)	1
4	18-1520	ORDER 108-3831	1
4	99-9403	ORDER 108-3831	1
4	108-3831	FILTER - FUEL (2000/3000)	1

Sand Pro® / Infield Pro® - continued

Ref. No.	Part No.	Description	Qty.
4	83-1320	ORDER 94-2690	1
4	94-2690	FILTER - FUEL (2020, 3020, 5000, 5020)	1
5	23-9740	HYDRAULIC FILTER	1
*	30035**	400 Hour Filter MVP Kit (Sand Pro/Infield Pro 3040/5040)	A/R
6	231-79	ORDER 85-8290	3
6	28-1070	ORDER 85-8290	3
6	85-8290	TIRE (22 X 11 - 8) 2-PLY KNOBBY	3
6	116973	ORDER 121-9072	3
6	121-9072	TIRE (22 X 11 - 8) 2-PLY TURF-TRAC	3
6	110-3364	TIRE (22 X 11 - 8) 2-PLY SMOOTH	3
7	251-352	BEARING	1
8	251-8	BEARING - BALL	1
9	251-307	ORDER 251-259	2
9	251-259	BEARING - BALL (NEUTRAL ARM)	2
10	254-70	ORDER 115-9472	2
10	115-9472	CONE - BEARING	2
11	254-69	ORDER 115-9471	2
11	254-61	ORDER 115-9471	2
11	115-9471	CUP - BEARING	2
12	85-9200	KNUCKLE - STEERING	1
13	256-113	BUSHING	2
14	256-287	BUSHING - STEERING	2
17	12-8140	KEY SWITCH (SAND PRO 14)	1
17	23-0660	KEY SWITCH (2000/3000)	1
17	83-0020	KEY SWITCH (5000)	1
*	29-6162	SWITCH-MICRO	1
18	218-412	ORDER 62-7770	1
18	62-7770	KEY - IGNITION	1
19	83-0820	AMMETER ('93/NEWER)	1
20	6-1600	SOLENOID ('90/OLDER)	1
20	28-4210	SOLENOID ('91/NEWER)	1
21	83-1140	ORDER 83-2420	1
21	83-2420	CABLE - POSITIVE	1
22	20-0930	ORDER 27-5170	1
22	27-5170	SEAT	1
23	51-0680	THROTTLE CONTROL	1
24	19-2090	CHOKE CONTROL	1
25	233-25	KNOB - CONTROL	1
26	2210-118	GASKET	1
27	2412-37	BRACKET	1
28	51-0700	MUFFLER ('92/NEWER)	1
29	18-6340	SHAFT - STEERING LOWER	1
30	17-2490	SPROCKET - STEERING	1
31	2710-31	CONNECTING LINK (1974-93)	1
31	2710-11	CONNECTING LINK (1994 & UP)	1
32	18-6370	CHAIN	1
33	68-9700	ORDER 114-0626	1
33	74-3300	ORDER 114-0626	1
33	83-7000	HYD CYLINDER (1992-07)	1
33	114-0626	HYD CYLINDER (2008 & UP)	1
34	83-7250	ORDER 86-5360	1
34	86-5360	SEAL KIT (FOR CYLINDER 83-7000)	1
35	75-9990	WHEEL DRIVE MOTOR	2

SPECIALTY EQUIPMENT

SAND PRO® / INFIELD PRO®



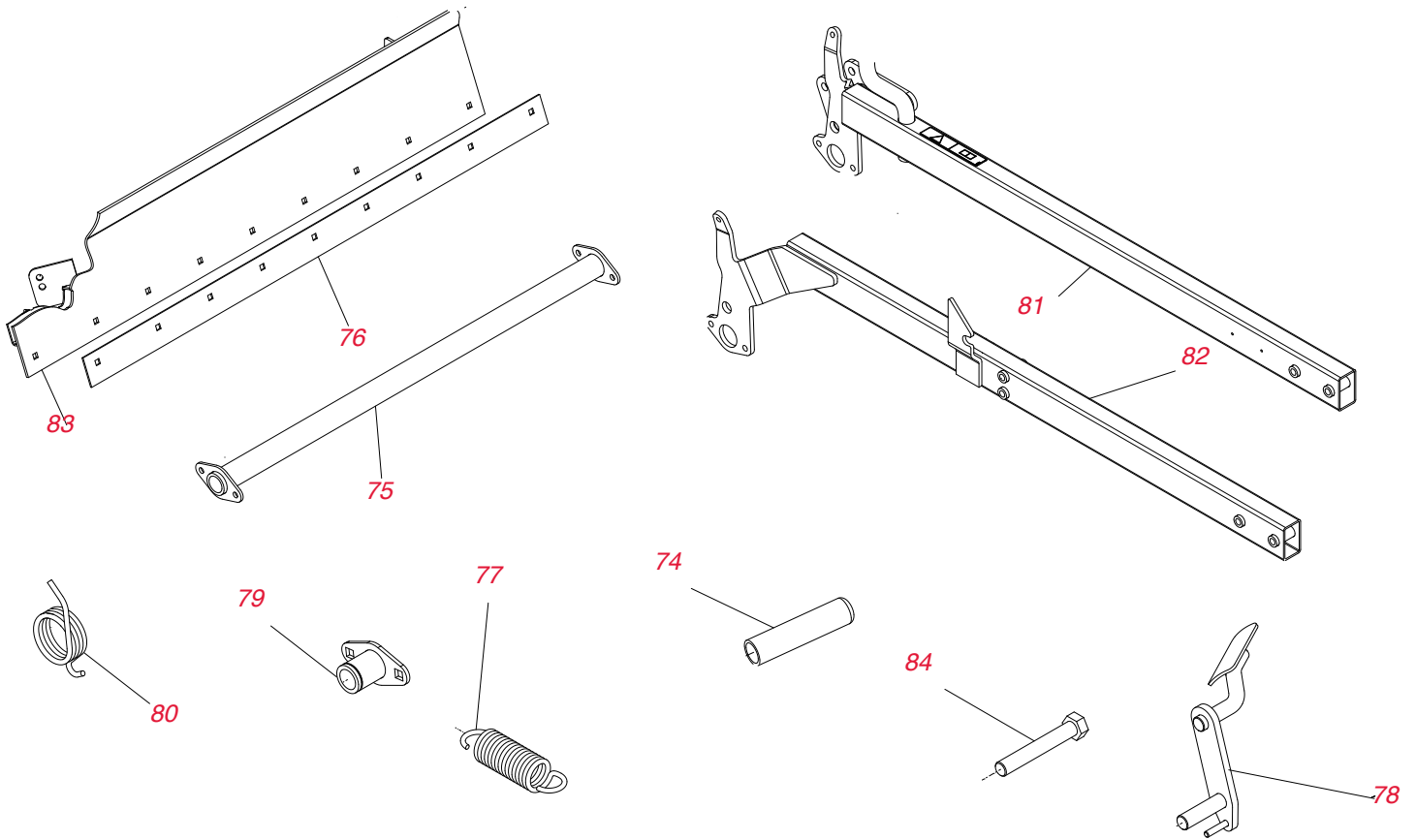
Sand Pro® / Infield Pro®

Ref. No.	Part No.	Description	Qty.
36	76-0800	SEAL KIT (FOR MOTOR 75-9990)	1
36	94-8178	ORDER 100-6131	1
36	100-6131	SEAL KIT (75-9830/75-9831/75-9840/97-3055/98-0958/98-0959)	1
37	10-7070	KEY - SQUARE	1
38	3296-29	NUT - LOCK	4
39	27-1960	ORDER 110-5236	1
39	110-5236	HUB - ENGINE	1
40	3256-23	WASHER - FLAT	4
41	125-9249	SPACER - COUPLING	4
42	3241-5	SCREW - SQUARE HD SET	4
43	3257-32	KEY - WOODRUFF	1

Sand Pro® / Infield Pro® - continued

Ref. No.	Part No.	Description	Qty.
44	49-9600	ORDER 110-9695	1
44	110-9695	HUB - PUMP	1
45	27-6560	ORDER 115-4523	1
45	44-2230	ORDER 115-4523	1
45	115-4523	COUPLING-HYD PUMP	1
46	32121-15	PIN - SPRING	2
47	32121-16	PIN - ROLL	1
47	32121-112	PIN - ROLL (5000)	1
48	85-9180	SPROCKET - STEERING	1
49	85-8030	CHAIN - STEERING	1
50	18-6380	PIN - STEERING ADJUST	2
51	3296-4	NUT - LOCK	2
52	242-50	NUT - LUG	12
53	85-8950	FLANGETTE	1
54	85-8940	FLANGETTE - RELUBE	1
55	18-6320	WASHER	3
56	32136-9	NUT - HEX SLOTTED	1
57	3272-37	PIN - COTTER	1
58	83-1031	MOUNT - ENGINE (5000/5020)	4
59	88-8450	PRONG - RAKE	27
59	42-1940	PRONG - RAKE	24
60	3256-24	WASHER - FLAT	A/R
61	3253-21	WASHER - LOCK	A/R
62	3217-7	NUT - HEX	A/R
64	18-7580	ORDER 77-5090-01	3
64	77-5090-01	DRAG PLATE - SECONDARY	3
65	18-7640	ORDER 77-5080-01	2
65	77-5080-01	DRAG SWIVEL	2
67	20-7380-01	BLADE - SPIKER	A/R
69	20-4670	DRAG CABLE ASSEMBLY	14
70	18-7660-01	SWIVEL BRACKET	2
71	18-7530	BALL JOINT - RAKE	8
72	18-7550	ORDER 18-7530	8
73	84-2280-03	RAKE - FINISHING	5
*	120-5772	BELT-V	1
*	108-3811	ELEMENT-FILTER, AIR	1
*	119-5852	FILTER-OIL	1
*	115-7854	FILTER-FUEL, INLINE	1
*	121-4570	FILTER-FUEL	1
*	114-3494	ELEMENT-FILTER, 25 MICRON	1
*	127-0381	INNER FILTER KIT	1
*	08725**	400 Hour Maintenance Kit SP2040Z	A/R
*	125-6406	TIRE (16 X 7.5 - 8)4-PLY; TURF TRAC (2040Z)	2
*	125-6465	TIRE (25 X 12 - 9) 3-PLY; TURF TRAC (2040Z)	2
*	70-9870	PLATE-BACKING	1
*	120-3407	SERVICE ENGINE KIT (SP 3040 2006-2010)	1
*	120-3404	BLOCK-GUIDE (SP 3040 /5040 2011 & UP	1
*	120-3403	ENGINE INSTALLATION ASM (SP 5040 2011 & UP)	1
*	85-0160-03	WEEDER ASM	1
*	132-4351	REPLACEMENT HYDROSTATE ASM (SP 2020/3020)	1
*	51-0780	SLIDER-SEAT	1
*	51-0790	ADJUSTER-SEAT, LH	1
*	95-8836	HOSE ASM, MOTOR ASM	1
*	104-8162	BATTERY - DRY (SP 5040)	1

SPECIALTY EQUIPMENT
SAND PRO® / INFIELD PRO®



Sand Pro® / Infield Pro® - continued

Ref. No.	Part No.	Description	Qty.
74	104-9838	GRIP - FOAM (SP 3040/5040)	1
*	108-2835-01	SCARIFIER MOUNT ASM (SP 3040/5040)	1
75	108-5402-03	TORSION TUBE ASM (SP 3040/5040)	1
76	108-5406-03	PLATE - WEAR (SP 3040/5040)	1
77	108-5412	SPRING - EXTENSION (SP 3040/5040)	2
78	108-5418-03	LOCK LEVER ASM (SP 3040/5040)	1
79	108-5421	PLATE ASM (SP 3040/5040)	1
80	108-5424	SPRING - TORSION (SP 3040/5040)	1
*	110-1350-03	DRAG FRAME ASM (SP 3040/5040)	1
*	110-3362	PIVOT BAR ASM (SP 3040/5040)	1
*	110-8105	LINK ASM (SP 3040/5040)	1
*	112-1403	ADAPTER ASM (SP 3040/5040)	1
*	112-1432	ADAPTER ASM (SP 3040/5040)	1
81	112-7156-03	RH LIFT ARM ASM (SP 3040/5040)	1
82	112-7157-03	LH LIFT ARM ASM (SP 3040/5040)	1
*	114-0641-03	PIVOT ASM (SP 3040/5040)	1
83	115-5642-03	BLADE ASM (SP 3040/5040)	1
*	132-4389	HANGER ASM, QUICK ATTACH SYSTEM	1
*	1-523420	BUMPER (SP 3040/5040)	2
*	23-2790-01	BLADE - SCRAPER (SP 3040/5040)	1
*	256-172	BUSHING (SP 3040/5040)	1
*	27-9080	BEARING - FLANGE (SP 3040/5040)	2
*	32144-4	SCREW - HWH (SP 2040Z)	1
*	3220-5	NUT - JAM (SP 3040/5040)	2
*	325-12	SCREW - HH (SP 2040Z)	2
84	325-13	SCREW - HH (SP 3040/5040)	4
*	3296-45	NUT - LOCK, NI (SP 3040/5040)	2
*	3296-51	NUT - LOCK, NI (SP 2040Z)	1
*	93-4133	SEAL - LIP (SP 3040/5040)	1
*	106-9288	SENSOR PROXIMITY FERROUS (SP 2020)	1
*	114-4319	PIVOT PIN	1
*	20-4290	MAT DRAG	1
*	120-3476	MUFFLER - DUAL INTENT (SP 3040/5040)	1
*	120-3407	ENGINE - BRIGGS & STRATTON (SP 3040)	1
*	121-9070	VALVE ASM (SP 2020/3040/5040)	1
*	120-3457	REAR HITCH ASM (SP 3040/5040)	1
*	112-1405	ADAPTER ASM (SP 3040/5040)	1
*	108-4511-01	TUBE ASM (SP 3040/5040)	1
*	112-1400	PIVOT ASM (SP 3040/5040)	2
*	108-2928-01	BOX ASM (SP 3040/5040)	1
*	110-1395-03	TOOL BAR ASM (SP 3040/5040)	1
*	108-3198-03	HANGER ASM (SP 3040/5040)	1
*	107-1977	SEAL KIT (SP 5040)	1
*	323-52	SCREW - HH (SP 3040/5040)	2
*	32120-18	E-RING (SP 2040Z/3040/5040)	12
*	340-6	FITTING - STRAIGHT (3040/5040)	1
*	117-9507	PEDAL - ACCELERATOR (3040/5040)	1

SPECIALTY EQUIPMENT

TURF EQUIPMENT

Procore[®] Core Processor

Part No.	Description	Qty.
108-3810	ELEMENT - AIR FILTER	1
110-2976	ORDER 115-8957	
115-8957	V- BELT - CHOPPER DRIVE MATCH SET OF 2	2
110-2772	V-BELT - ENGINE DRIVE (SET OF 3)	1
112-4254	BELT - BRUSH DRIVE	1
115-2951	V-BELT - CORNER SHAFT	1
114-7741	TIRE (18 x 9.5 - 8) 6-PLY TURF-TRAC	2
254-106	BEARING CONE - INNER	2
254-107	BEARING CUP - INNER	2
254-92	BEARING CONE - OUTER	2
254-72	BEARING CUP - OUTER	2
114-3920	ORDER 110-2730	124
110-2730	TIP - CHOPPER	124
323-7	SCREW - CAP HEX HD	62
114-7728	SCREW	248
114-7606	CHOPPER AXLE ASSEMBLY	1
114-7614	BLADE - BENT	62
80-6990	WASHER - HARDENED	2
3-4244	PULLEY - CORNER SHAFT IDLER	1
114-7715	AXLE - BRUSH	1
110-2908	BRUSH - SWEEPER	2
80-6990	WASHER-HARDENED	4
98-4871	BUSHING - SLEEVE	2
63-8360	KEY - IGNITION	1
83-0020	SWITCH - IGNITION	1
114-7742	ORDER 119-3010	
119-3010	RIM - WHEEL	2
242-50	NUT - LUG	10
105-2539	CAP - AIR FILTER ASSEMBLY	1

SPECIALTY EQUIPMENT

TURF EQUIPMENT

Line Painter 1200

Part No.	Description	Qty.
108-3842	FILTER - ENGINE OIL	1
108-2604	FILTER - AIR CLEANER ELEMENT (MAIN)	1
108-2603	FILTER - AIR CLEANER ELEMENT (FOAM)	1

Rake-O-Vac

Part No.	Description	Qty.
115-9022	FINGER - NYLON	A/R
13-3090	SPRING - RAKE TEETH	A/R
11-9760	ORDER 49-2040	A/R
49-2040	SCREW	A/R
2710-11	CONNECTING LINK	1
108-3808	ELEMENT - REMOTE AIR FILTER	1
108-3854	IN-LINE FUEL FILTER	1
119-6225	TIRE (11L-15SL)	2
108-3847	OIL FILTER	1
3296-51	NUT - LOCK, NI	1
13-4960	SHAFT - PLATE, FINGER	6
13-4960	SCREW - HH, SEMS	6
13-4960	SHAFT PLATE FINGER	6
32140-94	SCREW HH SEMS	6

Rake-O-Vac-Sweeper

Part No.	Description	Qty.
13-2650	V-BELT, ENGINE & CLUTCH AND MUFFLER ASSEMBLY	1
93-0183	V-BELT, IMPELLER: ENGINE, CLUTCH AND MUFFLER ASSEMBLY	1
93-4034	V-BELT, GUARD ASSEMBLY	1
119-6225	TIRE TIRE (11L-15SL)	2
254-62	ROLLER-BEARING, CONE (WHEEL HUB ASM)	2
254-65	ROLLER-BEARING, CONE (WHEEL HUB ASM)	2
254-66	ROLLER-BEARING, CUP (WHEEL HUB ASM)	2
115-9471	ROLLER-BEARING, CUP (WHEEL HUB ASM)	2
56-6220	BEARING - BLOWER FAN & THROAT FLAP ASM	2
56-6230	ROLLER-BEARING (RAKE ASM) & GUARD ASM	2
107-1054	BEARING- CLUTCH ASM	1
107-1078	BEARING- CLUTCH ASM	1
115-9023	CLAMP - FINGER	4
115-9024	PLATE - CENTER	1

Turf Sweeper 4800

Part No.	Description	Qty.
01-279-0010	FINGER - RUBBER	A/R
01-269-0320	ORDER 119-6343	
119-6343	TIRE - FRONT (18 X 8.5 - 8) 4-PLY	2
95-0177	ORDER 99-2996	2
99-2996	TIRE - REAR (18 X 9.5 - 8) 4-PLY	2
01-317-0240	HYDRAULIC OIL FILTER (1992-95)	1
23-9740	HYDRAULIC OIL FILTER (1997 & UP)	1
70-9870	PLATE-BACKING	1
104-4620	SEAT-STD	1

ProSweep 5200

Part No.	Description	Qty.
117-5196	TIRE (26.5 x 14 - 12) 2-Ply; Turf Trac	2
340-6	FITTING - STRAIGHT	2
107-1977	SEAL KIT	1

Pro Force Debris Blower

Part No.	Description	Qty.
112-1853	BELT-V	1
115-7854	FILTER-FUEL, INLINE	1
120-2235	FILTER-FUEL	1
99-4506	TIRE (20 x 10 - 8) 4-Ply; TURF MATE	2
117-5115	HUB & BEARING ASM	2
106-5270	IGNITION KEY SET	1
106-5269	IGNITION SWITCH ASM	1

Top Dresser

Part No.	Description	Qty.
01-269-0320	ORDER 119-6343	
119-6343	TIRE - FRONT (18 X 8.5 - 8) 4-PLY	2
106-9691	TIRE (18 X 9.5 - 8) 4-PLY RIBBED (2500)	2
01-317-0240	HYDRAULIC OIL FILTER (2300 1994 & UP)	1
340-139	FITTING- ELBOW 90 (2500)	1
32128-37	NUT - HF (1800/2500)	6
340-6	FITTING - STRAIGHT (1800/2500)	1

GreensPro™ 1200 Greens Roller

Part No.	Description	Qty.
63-07-009	ORDER 127-5897	
127-5897	BEARING - STEERING ASM & LIFT MECHANISM ASM	4
111-5758	BEARING - DRIVE ROLLER ASM	2
127-5839	COMPLETE LONG STEERING ROLLER ASM	1
127-8001	COMPLETE SHORT STEERING ROLLER ASM	1
111-5755	TIRE (16 X 6.5-8) 4-PLY, TURF	1
66-2630	LATCH - SEAT (1240/1260)	1
340-6	FITTING - STRAIGHT (1260)	1
117-9507	PEDAL - ACCELERATOR (1240/1260)	1

HoverPro 400/450/500

Part No.	Description	Qty.
111-1381	DISC - CUTTING (HP400)	1
H292327	BLADE - PLASTIC (HP 450/500)	2

ProStripe 560

Part No.	Description	Qty.
411024	BELT - VARIATOR (520)	2
560031W	ROLLER - REAR	2
111-1717	SHAFT - ROLLER	1
111-1276	BEARING - LOWER ASM	4
111-1492	ROLLER BEARING - LOWER ASM	2



PARTS LIST

PARTS LIST

Part Number	Description
01-100-0260	BEARING-FLANGE
01-264-0230	BELT 3/3V800 **NO COG**
01-268-0160	PULLEY-IDLER
01-279-0010	FINGER-RUBBER
01-283-0030	BLADE-SLICING, 4IN
01-283-0040	BLADE SLICING 6"
01-283-0090	THATCHER-BLADE
01-317-0240	FILTER ELEMENT
08725	400 HOUR MVP KIT SAND PRO
100-1270	SWITCH-PROXIMITY
100-1535	SWITCH
100-1854	PLUG-GLOW
100-2261-01	BRACKET-HOC, FRONT
100-2262-01	REAR HOC BRACKET ASM
100-2263	SUPPORT-ROD
100-2267-01	SIDEPLATE
100-2268-01	LH SIDEPLATE ASM
100-2276	SPACER-FRAME
100-2287	DEFLECTOR-SHIELD, GRASS
100-2289	REAR GRASS SHIELD ASM
100-2348	RIM ASM
100-2536	ROLLER ASM
100-2538	SHAFT-ROLLER
100-2582	RIM
100-2588	V-BELT, B-SECTION
100-3017	PIN-ARM, LIFT
100-3031	RH LIFT ARM ASM
100-3032	LH LIFT ARM ASM
100-3052	PISTON MOTOR ASM
100-3069	RH BRAKE ASM
100-3070	LH BRAKE ASM
100-3172-03	SCREEN ASM
100-3190-03	ENGINE MOUNT ASM
100-3192	ELEMENT-FILTER, FUEL
100-3350	BEDKNIFE-HIGHCUT (FAIRWAY)
100-3380	RH PIVOT HUB ASM
100-3381	LH PIVOT HUB ASM
100-3620	TINE-NEEDLE, 5MM X 6.43
100-3621	TINE-NEEDLE, 8MM X 7.38
100-3693	MINI TINE ASM
100-3694	SCREW-HSH
100-3695	3 TINE HEAD ASM
100-3696	4 TINE HEAD ASM
100-3795	JOINT-BALL
100-3814	SLEEVE-PROTECTIVE
100-3833	HOSE-HYD
100-3876	HYD HOSE ASM
100-3877	HYD HOSE ASM
100-3878	HYD HOSE ASM
100-3879	HYD HOSE ASM
100-4161	REAR ROLLER REELMASTER GA
100-4181	FRONT GRASS SHIELD ASM
100-4194	CARRIER FRAME ASM
100-4240	FITTING-STR
100-4809	HOSE-RADIATOR, LOWER
100-4810	MUFFLER
100-4815	CABLE-CONTROL, TRACTION
100-4817	SPACER-BEARING
100-4824	AIR CLEANER ASM
100-4825	BAND-MOUNTING, AIR CLEANER

Part Number	Description
100-4838-03	MOUNT-ENGINE
100-4866	GROMMET
100-4869	COOLER-OIL
100-4872	PLATE-SWITCH, NEUTRAL
100-4876	HOSE-HYD
100-4880	HOSE-HYD
100-4890	FITTING-CHECK
100-4891	HOSE-HYD
100-4892	HOSE-HYD
100-4903-03	FRAME-RADIATOR
100-4918	DIODE
100-4926	BEARING-ALIGNING, SELF
100-4928	BELT-SEAT
100-4929	SLOPE INDICATOR ASM
100-4930-03	CARRIER ASM
100-4939-03	CARRIER-SIDEWINDER
100-4944	SHAFT-PIVOT, CUTTING UNIT
100-4959	COLLAR
100-4992	BRACKET-SPRING
100-4994-01	FRAME-REEL
100-5024	PIN-CLEVIS
100-5384	BEARING-BALL
100-5386	BEARING-ROLLER
100-5392	BELT-5VX
100-5396	BEARING-ROLLER
100-5414	GUARD-TURF, 3 TINE 5 FING
100-5415	GUARD-TURF, 3 TINE 3 FING
100-5416	GUARD-TURF, 4 TINE 5 FING
100-5417	GUARD-TURF, 4 TINE 7 FING
100-5418	GUARD-TURF, 6 TINE 5 FING
100-5419	GUARD-TURF, 6 TINE 7 FING
100-5420	GUARD-TURF, 8 TINE 9 FING
100-5421	GUARD-TURF, 8 TINE 5 FING
100-5525	HOSE ASM
100-5579	HOSE ASM
100-5582	SHAFT-PIVOT, LIFT ARM
100-5605-01	RH SKID ASM
100-5612-01	LH SKID ASM
100-5620-01	RH SKID ASM
100-5674	PIN
100-5703	SPACER AND BEARING ASM
100-5704	SPACER - MATCHED SET
100-5705	SPINDLE SHAFT ASM
100-5709	NUT-SPINDLE, SPECIAL
100-5762	SPACER-BEARING
100-5780-03	FRAME-DECK
100-5797-03	BRACKET-HOC, RH
100-5799	SHIM-HOC, .060 INCH
100-5832	TUBE
100-6131	SEAL KIT
100-6178	IDLER ARM ASM
100-6193	CARRIER FRAME ASM
100-6400	SHIELD ASM-FRONT
100-6431	TUBE-RETURN
100-6434	ROD-HOLD DOWN, BATTERY
100-6435	POST-BATTERY
100-6440	PULL LINK AND BUSHING ASM
100-6443-01	FRAME ASM
100-6448	SPACER-ROLLER
100-6449	ROLLER-LIFT

Part Number	Description	Part Number	Description
100-6756	ELEMENT-FILTER, PRESSURE	104-0401	TUBE ASM
100-6991	ELEMENT-FILTER, GREEN	104-0402	TUBE-HYD
100-6992	ELEMENT-FILTER, RED	104-0403	TUBE ASM
100-7100	SUPPORT-ROD	104-0404	TUBE ASM
100-7105	RH HOC ADJUSTMENT ASM	104-0405	HOSE-HYD
100-7106	LH HOC ADJUSTMENT ASM	104-0406	HOSE-HYD
100-7113-01	WEIGHT-END	104-0407	HOSE-HYD
100-7123	SPACER-BEDBAR	104-0417	SLIDE-PLASTIC
100-7124-01	BEDBAR-MACHINED	104-0422	NEUTRAL ARM ASM
100-7126	BOLT-WHEEL	104-0454	HOSE-RADIATOR, UPPER
100-7132	WIEHLE ROLLER ASM	104-0462	HUB-WHEEL, SPACER
100-7136	REAR GRASS SHIELD ASM	104-0485-03	SHIELD-WHEEL
100-7140	REEL FRAME ASM	104-0487	HOSE-HYD
100-7599	BEARING-BALL	104-0532	WASHER-PULLEY
100-7617	4 TINE HEAD ASM, HD	104-0538	BEARING-SELF ALIGNING
100-7618	3 TINE HEAD ASM, HD	104-0540	ROLLER-WIEHLE
100-7621	BEARING-BALL	104-0705-03	YOKE-JOINT
100-7644	BELT-HA (SET 2=1 PC)	104-0720	SPACER
100-7695	FITTING-ELBOW 90	104-0762-01	FORK-CASTOR
100-8011	CARRIER FRAME ASM	104-0764	PISTON MOTOR ASM
100-8070	LAMP-WARNING	104-0972	CLAMP-TINE
100-8071	LAMP-WARNING	104-0984	TINE-HOLLOW, 5/8 X 5.75
100-8072	SWITCH	104-1051-03	PLATE-SPINDLE
100-8125-01	LH SKID ASM	104-1052-03	BRACKET-HOC, FRONT
100-8138	SPRING-COMPRESSION	104-1080	HOSE-HYD
100-8148-03	MOUNT-RH	104-1093	ROLLER
100-8327	BEARING-BALL	104-1156	SPACER
100-8329	BEARING-BALL	104-1301	BLADE-ATOMIC
100-8372	BELT-STEERING	104-1303	BLADE-ATOMIC
100-8642	SCREEN-SUCTION	104-1304	BLADE ASSY-ATOMIC 24.75
100-9237	STARTER ASM	104-1380	BEDKNIFE-HIGHCUT (FAIRWAY
100-9333	GASKET-MUFFLER	104-1381	BEDKNIFE-HIGHCUT (FAIRWAY
100-9394	ALTERNATOR ASM	104-1385	WIEHLE ROLLER ASM
100-9818-01	PLATE-MOUNT, SPRING	104-1386-03	ROLLER-WIEHLE, 27IN
100-9819	LATCH ASM	104-1388	WIEHLE ROLLER ASM
100-9821	PLATE-SWITCH, REED	104-1389-03	ROLLER-WIEHLE
100-9900	FRONT GRASS SHIELD ASM	104-1392	SHAFT-PIVOT
100-9905-03	WIEHLE ROLLER ASM	104-1806	SHAFT-ROLLER
100-9906	WIEHLE ROLLER ASM	104-1810	BEDKNIFE-HIGHCUT (FAIRWAY
100-9943-03	ROLLER TUBE ASM	104-1830	BOLT-J
100-9993	FRONT COVER ASM	104-1834	IDLER BEARING ASM
103-0384	SPACER	104-1835	SCREW
103-1802	FITTING-ELBOW, 90 DEG	104-1844	COMB
103-2897	LATCH-CATCH	104-2024	NUT-HEX, NI
103-2898	LATCH-RUBBER	104-2057	SENSOR
103-6771	TIRE (24X12-12) 4-PLY LUG	104-2065	SCREW-HWH
103-9511	NUT-LOCK, NI	104-2067	SPACER-END, MOTOR
104-0015	BUSHING-FLANGE	104-2071	BASKET ASM
104-0028	GUIDE-HOSE	104-2078	SHAFT-ROLLER
104-0046	PIN-SLIDE, CYLINDER	104-2091	ROLLER-ANTI SCALP
104-0057	HYD HOSE ASM	104-2200-01	CHAMBER-CENTER
104-0058	HYD HOSE ASM	104-2201-01	CHAMBER-RH
104-0063	HYD HOSE ASM	104-2202-01	CHAMBER-LH
104-0064	HYD HOSE ASM	104-2203-01	OUTER CHAMBER ASM
104-0067	HYD HOSE ASM	104-2204-01	CHAMBER-INNER
104-0068	HYD HOSE ASM	104-2205-01	CHAMBER-INNER
104-0069	HYD HOSE ASM	104-2235	HOSE ASM
104-0080	FILTER HEAD ASM	104-2250-01	SKID-SIDE
104-0108	U-BOLT	104-2260	HOSE ASM
104-0400	TUBE ASM	104-2261	HOSE ASM

PARTS LIST

Part Number	Description
104-2263	HOSE ASM
104-2264	HOSE ASM
104-2265	HOSE-HYD
104-2281	SHAFT-PIVOT
104-2541	SWITCH ASM
104-2547	SPACER INNER
104-2602-03	BAR-OFF, CUT
104-2607	STRIP-BASKET
104-2609	SLEEVE-PULLEY
104-2610	NUT-HF
104-2611	NUT-HF
104-2612	NUT-HF
104-2628	SCREW-HWH
104-2632	GRASS SHIELD ASM
104-2640	18 INCH FULL ROLLER ASM
104-2642	21 INCH FULL ROLLER ASM
104-2646	BEDKNIFE-HIGHCUT (GREENS)
104-3355	ROD-SPRING
104-3357	CARRIER FRAME ASM
104-3365	ROD-SUPPORT
104-3366	SPACER
104-3373-01	RH HOC BRACKET ASM
104-3375-01	LH HOC BRACKET ASM
104-3388	SEAL-GREASE
104-3394	SPRING-COMPRESSION
104-3396	SCREW-HH
104-3398	HOUSING-BEARING, MACH
104-3399	BEARING HOUSING ASM
104-3494	BELT-V
104-3502	HOSE ASM
104-3541	HUB-SPIDER
104-3542	SPIDER
104-3545	PULLEY-DRIVING
104-3546	PULLEY-DRIVEN, LOW
104-3547	PULLEY-DRIVEN, DOUBLE
104-3548	PULLEY-DRIVEN, HIGH
104-3554	SHAFT-SPINDLE
104-3563	INDICATOR
104-3661	BRACKET-SPRING
104-3797	FITTING-STRAIGHT
104-4046	BEARING-CUP
104-4212	RING-RETAINING, SPIRAL
104-4229	REAR CARRIER FRAME ASM
104-4246	FAN-ENGINE
104-4299	CROSS AND BEARING KIT
104-4569-03	BLADE-24.75"
104-4620	SEAT
104-4623-01	TUBE & END CAP ASM
104-4624-03	BRACKET-HOC, LH
104-4641	SHIM-HOC, .030 INCH
104-4727	RING-RETAINING
104-4754	SPRING-DETENT
104-4809	DRUM-BRAKE
104-4817	LEVER-BRAKE
104-4819-03	BRACKET-PIVOT, LH
104-4820-03	BRACKET-STOP, CARRIER
104-4821	SPRING-TORSION
104-4825-03	BRACKET-PIVOT, RH
104-4828-03	BRACKET-ACTUATOR
104-4834	MUFFLER

Part Number	Description
104-4836	FITTING-TEE
104-4840	TANK-HYD
104-4852-03	PEDAL-TRACTION
104-4853-03	SCREEN-HOOD
104-4855-03	FRAME-RADIATOR
104-4890	PISTON PUMP ASM
104-5169	FILTER-OIL
104-5183	BLADE-LIFT, HIGH
104-5190-03	PANEL-CONTROL
104-5207	HOSE-TURBO
104-5214	SPACER-TUBULAR
104-5215	PUMP-FUEL, ELECTRIC
104-5428	BRACKET-OIL COOLER, TOP
104-5429	CLAMP-FORM, WIRE
104-5460-03	PLATE-MOUNT, OIL COOLER
104-5464	HOSE-HYD
104-5483	HOSE-HYD
104-5500	HOSE-HYD
104-5501	HOSE-HYD
104-5502	HOSE-HYD
104-5504	HOSE-HYD
104-5505	HOSE-HYD
104-5511	HOSE -HYD
104-5512	HOSE-HYD
104-5525	PIN-CYLINDER
104-6126	WASHER-FLAT
104-6478	SPRING-EXTENSION
104-7064	TIRE (22X9.50-10) 4-PLY T
104-7179	PIVOT-PEDAL
104-7201	NUT-HF
104-7520	SPRING-DAMPER
104-7521	BUSHING
104-7529-01	BRACKET-CASTOR
104-7546	TANK STRAINER ASM
104-7547	CABLE-THROTTLE
104-7705	BRAKE ASM
104-7706	E-RING, BOWED
104-7707	SHAFT-CAM, BRAKE
104-7708	BRAKE CAM & E-RING ASM
104-7719	BALL JOINT ASM
104-7738	BUSHING-FLANGE
104-7851	FITTING-HYD, 45 DEG
104-8162	BATTERY-DRY
104-8215	COLLAR KIT
104-8216	SCREW-SQH
104-8219	GRASS BASKET ASM
104-8300	NUT-HF, NI
104-8301	NUT-HF, NI
104-8322	WASHER-HARDENED
104-8331	END-ROD, SPHERICAL
104-8341	BUSHING-STRAIGHT
104-8772	TORO PREMIUM GEAR AND BEA
104-9219	DISC-CLUTCH
10-4930-01	BAR-BED
104-9312	PIN-GROOVED
104-9314	RM5500 REEL DRIVE HOSE KI
104-9317	RM52/5400 REEL DRIVE HOSE
104-9321	HYD HOSE ASM
104-9322	HYD HOSE ASM
104-9323	HOSE-HYD

Part Number	Description	Part Number	Description
104-9447	ADAPTER-MOTOR	105-2409	SCREW-HSH
104-9480	SHAFT-ROLLER	105-2439	BASKET-GRASS
104-9483	DEFLECTOR ASM	105-2539	CAP
104-9492-03	SCRAPER ASM	105-2806	END-ROD
104-9838	GRIP-FOAM	105-2808	END-ROD
104-9875	TINE-SIDE EJECT, HD 3/4 X	105-2809	TUBE-LINK
104-9876	TINE-SIDE EJECT, HD 5/8 X	105-3048	WASHER-FLAT
104-9877	TINE-SIDE EJECT, 7/8 X 5.	105-3249	DAMPER
104-9914	NUT-HEX	105-3693	BELT-FAN
105-0000	SPACER-FAN	105-3800	CONTROL VALVE ASM
105-0023	SWITCH-PROXIMITY	105-3820	HYD CYLINDER ASM
10-5010	SCREW-ADJUSTMENT, ROLLER	105-3821	HYD CYLINDER ASM
105-0131	STRAINER-TANK, OIL	105-3822	HYD CYLINDER ASM
105-0139	RM6000 REEL DRIVE HOSE KI	105-3823	HYD CYLINDER ASM
105-0140	RM6700 REEL DRIVE HOSE KI	105-3824	SEAL-GREASE
105-0150	SEAL-GREASE	105-3825	HOUSING-BEARING, RH
105-0156	SHAFT-ROLLER	105-3826	HOUSING-BEARING, LH
105-0158	SHAFT-ROLLER	105-3827	BEARING-BALL, SELF ALIGNI
105-0171-03	WEIGHT-END	105-3833	BOLT-ECCENTRIC
105-0172	SPACER	105-3834	BOLT-SHOULDER
105-0173	WASHER	105-3835	SEAL KIT
105-0177	SPACER	105-3836	SEAL KIT
105-0191	FULL ROLLER ASM	105-3838	SPACER
105-0194	SHAFT-ROLLER	105-3912	LATCH-DRAW
105-0195-01	SHIELD-GRASS, REAR ASM	105-3985	HOSE-HYD
105-0418-01	ARM-STEERING	105-4005-01	PLATE-SIDE, RH ASM
105-0452	PIVOT HINGE ASM	105-4006-01	PLATE-SIDE, LH ASM
105-0463-01	PLATE-FOOTREST	105-4007-01	FRAME ASM-DETHATCHER
105-0464-03	PLATE-SEAT	105-4011-03	WEIGHT-END
105-0494	HYDROSTAT ASM	105-4021	ROD-SUPPORT
105-0499-03	PANEL-CONTROL	105-4232	SWITCH
10-5060	BRACKET-HOC	105-4302	NEUTRAL ARM ASM
105-0750	FAN	105-4320	SWITCH
105-0775	STEERING CYLINDER ASM	105-4327	TUBE-HYD, CASEDRAIN
10-5080-01	CAP-END	105-4332	HOSE-HYD
105-0836	CABLE-BATTERY, BLACK	105-4333	HOSE-HYD
105-0887	BELT-DRIVE, PTO	105-4337	HOSE-HYD
105-0965	BEARING-BALL	105-4338	HYD HOSE ASM
105-0989	BELT-3V	105-4339	HOSE-HYD
105-0991	BELT-BANDED, 4 GROOVE	105-4340	HYD HOSE ASM
105-1032-03	CLAMP-HOLDER, 4 TINE	105-4342	HOSE ASM
105-1036-03	3 TINE HOLDER ASM	105-4347	HOSE-HYD
105-1038-03	CLAMP-HOLDER, 3 TINE	105-4548	SHAFT-SPRING
105-1045-03	4 TINE HOLDER ASM	105-4549	SPACER-ROLLER
105-1098-03	CLAMP-TINE, NEEDLE	105-4552	BEARING-PLASTIC
105-1099	NEEDLE TINE HOLDER ASM	105-4579	GAUGE-OIL
105-1180	TINE-HOLLOW, 1/2 X 6.50	105-5342	BOLT-PLOW - SPECIAL
105-1184	TINEHOLDER	105-5379	NUT-SPRING
105-1212	HOSE-HYD	105-5392	RIVET-DRIVE
105-1213	HOSE-HYD	105-5394	ROD-TRAILER, LARGE
105-1214	HOSE-HYD	105-5400	HOSE-HYD
105-1215	HOSE-HYD	105-5401	HOSE-HYD
105-1216	HOSE-HYD	105-5402	HOSE-HYD
105-1218	PISTON MOTOR ASM	105-5404	HOSE-HYD
105-1219	HYD MOTOR ASM	105-5405	HOSE-HYD
105-1221	HOSE ASM	105-5409	HOSE ASM
105-1222	HOSE ASM	105-5421-01	PEDAL-TRACTION
105-1230	PLATE-SCRAPER	105-5430	ROD-CONNECTING
105-1686	SPINDLE SHAFT ASM	105-5444	CABLE-LOCK, NEUTRAL
105-1904	GRIP-HANDLE	105-5445	CABLE-TRACTION

PARTS LIST

Part Number	Description
105-5460	TUBE-HYD
105-5482	TUBE-HYD
105-5493	TUBE-HYD
105-5700	WASHER-WAVE
105-5706	NUT-LOCK, BEARING
105-5708	PLUG-EXPANSION
105-5709	WEIGHT ASM
105-5719	COVER
105-5720	BELT-V, POLY
105-5722	PULLEY-DRIVER
105-5729	HOUSING-BEARING, RH
105-5730	HOUSING-BEARING, LH
105-5736	SHAFT-BRUSH
105-5740	HOOK-LIFT
105-5761	GROMMET
105-5769	WASHER
105-5770	NUT-SHOULDER
105-5774	BOLT-SHOULDER
105-5775	RING-RETAINING
105-5795	PLATE-SIDE, LH
105-5797	PLATE-SIDE, RH
105-5799	FRAME
105-6755	HOUSING-BEARING, LH
105-6758	SETSCREW-SQH
105-6759	HOUSING-BEARING, RH
105-6761	SEAL-GUARD
105-6785	BEDKNIFE-LOWCUT (FAIRWAY)
105-6792	BRUSH-ROLLER
105-7269	KIT-TALL GRASS, BAHIA 62/
105-7270	STD BLADE/BELT KIT
105-7271	BLADE/BELT KIT
105-7272	STD BLADE/BELT KIT
105-7441	BEARING-SPHERICAL
105-7443	SPACER-PILOT
105-7468	STUD-TAPERED
105-7482	PIN-LATCH
105-7507	HUB-PIVOT, JOYSTICK
105-7576	GEAR PUMP ASM
105-7577	HYD LIFT BLOCK MANIFOLD A
105-7900	HYD HOSE ASM
105-7901	HYD HOSE ASM
105-7902	HYD HOSE ASM
105-7903	HYD HOSE ASM
105-7927	HOSE-HYD
105-7941	NUT-HEX, SLOTTED
105-8075	INSERT-THREADED, RH
105-8076	INSERT-THREADED, LH
105-8095-01	BEDBAR-FAIRWAY
105-8118	BEARING-CONE
105-8120	BEARING-CONE
105-8250	CONSOLE
105-8252-03	BRACKET-POD
105-8285	HOSE-INLET, PUMP
105-8288	ROD-JOYSTICK
105-8289	SPRING-TORSION
105-8536-01	ARM-STEERING
105-9156	SEAL KIT
105-9159	SEAL KIT
105-9202	NO. 2 LIFT ARM ASM
105-9203	NO. 3 LIFT ARM ASM

Part Number	Description
105-9238	HOSE-HYD
105-9612	SPRING-BRUSH
105-9613-01	BRACKET-BRUSH, LH
105-9614-01	BRACKET-BRUSH, RH
105-9616-01	BRACKET-BRUSH, RH
105-9632	BOLT-J
105-9635	BRUSH-GROOMER
105-9767	REEL FRAME ASM-SPA
105-9768	REEL FRAME ASM-4BOLT
105-9770	HYD MOTOR ASM
105-9810-03	BLADE-ANGLE SAIL
105-9816	ROLLER-PLASTIC
105-9817	HOSE-HYD
105-9822	SPACER
105-9823	BUSHING-CARRIER
105-9827	SHAFT
105-9912	SPACER-LATCH
105-9926	SPRING-EXTENSION
105-9928-01	SPINDLE ASM
105-9930-01	HITCH
105-9935	PLUG-TUBE, SQUARE
105-9943	WASHER-THRUST
105-9945	SEAL-GREASE, BLUE
106-0003	V-BELT
106-0005	CENTER SPINDLE ASM
106-0006	OUTER SPINDLE ASM
106-0022	PULLEY-OUTBOARD
106-0023	PULLEY-CENTER
106-0631	PACK-SERVICE, BLADE (104-
10-6090	PIN-PIVOT
106-1025	PLUG-HYD
106-1026	PLUG-HYD
106-1080-03	REAR REEL ASM
106-1082	BEARING-FLANGE, 2 BOLT
106-1085-03	REEL SPINDLE ASM
106-1128	HOSE-FUEL
106-2271	SHAFT-PIVOT
106-2416	AIR CLEANER ASM
106-2600-01	SHIELD-GRASS
106-2603	SCREW-HSH
106-2607	O-RING
106-2619	STRIP-SEAL
106-2630	IDLER BEARING ASM
106-2633	SCREW-HHF
106-2646	RING-RETAINING, BOWED
106-2648-01	BEDBAR
106-3621	STEERING VALVE ASM
106-3622	STEERING TILT COLUMN ASM
106-3662	HOSE-HYD
106-3669	HYD HOSE ASM
106-3670	HYD HOSE ASM
106-3671	HOSE-HYD
106-3672	HYD HOSE ASM
106-3680	HOSE-HYD
106-3691	HOSE-HYD
106-3692	HOSE-HYD
106-3693	HOSE-HYD
106-3712-03	PEDAL-BRAKE
106-3713	DETENT
106-3719	HUB-PEDAL, TRACTION

Part Number	Description	Part Number	Description
106-3731	ROD-PIVOT	106-7536	BEDBAR ADJUSTER ASM
106-3840	PEDAL-TRACTION	106-7865	MOUNT-ENGINE
106-3924	BRACKET-ROLLER, REAR	106-7962	HOSE-HYD
106-3925	SHIM-ROLLER (0.25)	106-7974	HOSE-HYD
106-3937	CARRIER FRAME ASM	10-6821	BRAKE DRUM ASM
106-4154	FLOORPLATE ASM	106-8417	SPACER-SHAFT, DRUM
106-4167	JOYSTICK BRACKET ASM	106-8428	PLATE-SIDE, RH
106-4192	SPACER	106-8429	PLATE-SIDE, LH
106-4214	SETSCREW-SQH	106-8437	STRAP-LATCH
106-4237	BEARING	106-8448	BEARING-RACE, EXTENDED
106-4269	PULLEY-DRIVE, DOUBLE	106-8450	TAB-BRUSH
106-4317	SUPPORT-SPRING	106-8454	ROD ASM
106-4353-03	BLADE-ATOMIC, 25 INCH, LH	106-8459	BUNGEE
106-4383	BELT-V, BANDED	106-8463	SHIM-GROOMER
106-4616	SCREW-SPACER	106-8468	RH IDLER ASM
106-4620	PIVOT MOUNT ASM	106-8470	LH IDLER ASM
106-4668	NUT-LOCK	106-8471	HUB-PIVOT
106-4669	DECAL-WARNING, TRAILER	106-8482	ADJUSTER
106-4675	TONGUE ASM	106-8489	BUSHING-SLEEVE
106-4689	GRASS BASKET ASM	10-6850	DRUM-BRAKE
106-4904	ELEMENT-AIR CLEANER	106-8511	ARM-GROOMER HOC, RH
106-5187	BATTERY-DRY	106-8513	ARM-GROOMER HOC, LH
106-5190	BATTERY	106-8521	DECAL-WARNING
106-5269	IGNITION SWITCH ASM	106-8527	BUSHING
106-5270	IGNITION KEY SET	106-8528	SCREW-LOCK
106-5277	AIR CLEANER ASM	106-8529	PLUG-CAP
106-5336	NUT-JAM	106-8530	SEAL-GREASE
106-5344	BUSHING-FLANGE, KEYED	106-8535	RH LIFT ARM ASM
106-5354	SPRING-LATCH	106-8536	LH LIFT ARM ASM
106-5363	SHAFT-ADJUSTER	106-8540	PULLEY ASM
106-5366-01	FRAME ASM	106-8542	LH DRIVE COVER ASM
106-5384	STRIP-PAD	106-8625	BLADE-CARBIDE
106-5388	ROD-LOCK	10-6870-03	HUB-WHEEL
106-5408	GASKET-COVER	106-8871	BEARING-BALL
106-5409	GASKET-CASE, GEAR	106-8872	RING-RETAINING
106-5422	BLADE-11 TOOTH (NARROW CA)	106-9004	BUMPER
106-6355	BLADE-11 TOOTH (CARBIDE)	106-9066	HYD CYLINDER ASM
106-6362	SEAL KIT	106-9095-01	SCRAPER ASM
106-6392	KIT-DETHATCHER BLADE	106-9288	SENSOR-PROXIMITY, FERROUS
106-6394	MOW PEDAL ASM	106-9518	SCREW-PRH
106-6395	CUTTING CONTROL SHAFT ASM	106-9605	BEDBAR PIVOT KIT
106-6396	LIFT-PIVOT V	106-9606	ROLLER KIT
106-6691	CABLE-BRAKE, PARK	106-9607	FULL ROLLER KIT
106-6698	CABLE-HI-LOW	106-9618	BUSHING-RUBBER
106-6716	SEAL KIT	106-9623	BOLT-BEDBAR
106-6726	STEERING PUMP ASM	106-9627	ROLLER BRUSH ASM
106-6754	DECAL-DANGER	106-9674	HOSE-HYD
106-6774	JOINT-BALL	106-9691	TIRE-4-PLY
106-6895-03	BALL JOINT ASM	106-9758	SCREW-CARR
106-6914	RING-SNAP, INTERNAL	106-9888	WASHER-FLAT
106-6915	PULLEY ASM	107-0204	HOSE ASM
106-6917	PULLEY-DRIVEN	107-0214-03	BLADE-ATOMIC, 21.75 IN
106-6926	SEAL-GREASE	107-0215-03	BLADE-ATOMIC, 19.00 IN
106-6927	SLEEVE	107-0216-03	BLADE-ATOMIC, 19.00
106-6929	V-RING	107-0217-03	BLADE-ATOMIC, 20.00 IN
106-6937	DPA REEL SEAL KIT	107-0222	HOSE ASM
106-6941	SEAL	107-0235-03	BLADE-ATOMIC
106-6942	V-RING	107-0244	RADIATOR
106-7159	O-RING	107-0245	SEAL KIT
106-7166-03	BLADE-COMBINATION (19 INC	107-0249	SEAL KIT

PARTS LIST

Part Number	Description
107-0392	PROTECTION-TERMINAL, AERO
10-7070	KEY-SQUARE
107-1054	BEARING
107-1078	BEARING
107-1135	HOSE ASM
10-7130	WIRE ASM
107-1588	ROLLER REBUILD KIT
107-1589	ROLLER REBUILD KIT
107-1590	4 BOLT CU REBUILD KIT
107-1591	ROLLER REBUILD KIT
107-1592	ROLLER REBUILD KIT
107-1593	ROLLER REBUILD KIT
107-1594	ROLLER SEAL REBUILD KIT
107-1595	ROLLER REBUILD KIT
107-1598	4 BOLT CU REBUILD KIT
107-1977	SEAL KIT
107-1979	LIFT CYLINDER ASM
107-1997	FITTING-GREASE
107-2043-03	BRACKET-OIL COOLER, TOP
107-2052	PIVOT YOKE ASM
107-2062	PIN
107-2077	PIN-CYLINDER
107-2084	TRACTION CABLE ASM
107-2152	HOSE-SUCTION
10-7240	SLEEVE-PULLEY, STEERING
107-2550	CABLE-CONTROL, TRACTION
107-2552-01	BRACKET-BULKHEAD
107-2553	ROD END ASM
107-2554	DECAL-PANEL, CONTROL
107-2561	NUT-HEX
107-2563	SEAL KIT
107-2564	SEAL KIT
107-2565	4 SECTION GEAR PUMP ASM
107-2567	5 SECTION GEAR PUMP ASM
107-2577	GEAR PUMP KIT - 5 SECTION
107-2580	TUBE-HYD
107-2582	TUBE-HYD
107-2598	LH LIFT ARM ASM
107-2599	RH LIFT ARM ASM
107-2951	FRAME
107-2954	NUT-ADJUSTER, BEARING
107-2970	ROD
107-2979	BOLT-SHOULDER
107-2993-03	WIEHLE SCRAPER ASM
107-2996	FRONT GRASS SHIELD ASM
107-2999	SCRAPER ROD ASM
107-3205	SEAL-OIL
107-3206	SHAFT-DRUM, RH
107-3207	SHAFT-DRUM, LH
107-3216	SHAFT-WHEEL, TRANSPORT (R
107-3224	SHAFT-WHEEL, TRANSPORT (L
107-3227	NUT-BEARING, LOCK
107-3228	SPACER-SEAL
107-3233	SEAL-OIL
107-3237	SPACER
107-3238	V-RING
107-3244	O-RING
107-3258	FRAME
107-3273-01	BEDBAR
107-3275	INSERT-THREADED, RH

Part Number	Description
107-3276	INSERT-THREADED, LH
107-3279	BRACKET-SCRAPER, LH
107-3280	REAR ROLLER SCRAPER KIT-R
107-3281	BRACKET-SCRAPER, RH
107-3296	SHAFT-ROLLER, REAR
107-3299-03	ROLLER TUBE ASM
107-3376	SPRING-COMPRESSION
107-3399	ADAPTER-WEIGHT, WHEEL
107-3505	SPACER-TOOL, ROLLER
107-3509	STEEL ROLLER ASM
107-3526	STEERING BOX ASM
107-3532	GROMMET
107-3533	SHAFT-STEERING
107-3540-03	TUBE
107-3543-01	FORK ASM
107-4001	SHIM-ROLLER (0.01 INCH)
107-4026	SCREW-HH
107-4027	CAP
107-4028	SEAL-GREASE
107-4303	HYD CYLINDER ASM
107-4304	HYD CYLINDER ASM
107-4349-03	MOUNT-DECK, LH
107-4501-01	PLATFORM ASM
107-4513	TANK-OIL
107-4517-03	HOUSING-MOTOR
107-4543	CLAMP
107-4544	HYD MOTOR ASM
107-4545	COVER-TANK
107-4546-03	AXLE ASM
107-4547	GEAR PUMP ASM
107-4738	BELT-HH
107-4788	BELT-HEX
10-7640	REAR UNIT RETURN HOSE
10-7670	LH FRT RETURN HOSE
107-7400	PIN-LYNCH
107-7409	PIN-PIVOT, BEDBAR
107-7433	CARRIER FRAME ASM
107-7447	SCREW-SET, SQH
107-7589	CONE-BEARING (W/ SEAL)
107-7590	CUP-BEARING
107-7773	SCREW-HSH
107-7777-01	REAR SHIELD ASM
107-7779-01	SHIELD-GRASS, REAR
107-7795	SEAL-GREASE
107-7796	SHAFT-DRIVE
107-7816	BRACKET-SKID
107-7817	FILTER-OIL, ENGINE
107-7819	SEAL KIT
107-7828	REAR CASTING ASM
107-7834	PULLEY-IDLER
107-8105	BEARING-BALL, EXTENDED RA
107-8107	WASHER-WAVE
107-8133	WASHER-FLAT
107-8181	KNIFE-BED, FAIRWAY
107-8183-01	LH RAMP ASM
107-8184-01	RH RAMP ASM
107-8186-01	PLATE-TONGUE
107-8188	KIT-HITCH, ADJUSTABLE
107-8190-01	CLEVIS-TRAILER
10-7820	PIVOT HINGE ASM

Part Number	Description	Part Number	Description
107-8844	O-RING	108-1689	HOSE-HYD
107-9091	PIPE-WATER	108-1691	TUBE ASM
107938	SPRING-EXTENSION	108-1693	HOSE
107-9519	HYD HOSE ASM	108-1695	AIR RIDE SUSPENSION ASM
107-9531	FILTER-OIL, HYD	108-1696	HOSE-FORMED
108-0015	WASHER-FLAT	108-1697	HOSE-FORMED
108-0573-01	CASTOR FORK ASM	108-1698	TUBE ASM
108-0617	BELT-DRIVE	108-1699	TUBE ASM
108-0638	BOTTLE-OVERFLOW	108-1700	TUBE ASM
108-0800	MVP KIT-BLADE PACK COMBO	108-1701	TUBE ASM
108-0989	SCREW-SET	108-1702	TUBE ASM
10-8100-01	STRAP-SHAFT, BRAKE	108-1703	TUBE ASM
10-8110	WASHER-THRUST	108-1704	TUBE ASM
108-1176	SWITCH ASM	108-1708	TUBE ASM
108-1177	PREMIUM ALL SEASON HYD. F	108-1710	TUBE ASM
108-1178	PREMIUM ALL SEASON HYD. F	108-1711	TUBE-HYD
108-1183	PREM. TRANS / HYD TRACTOR	108-1712	TUBE ASM
108-1184	PREM. TRANS / HYD TRACTOR	108-1713	TUBE ASM
108-1185	PREMIUM ATF (55 GAL)	108-1714	TUBE ASM
108-1187	PREMIUM ALL SEASON GEAR L	108-1720	TUBE ASM
108-1190	PREMIUM ALL PURPOSE GREASE	108-1721	TUBE ASM
108-1196	PREMIUM ENGINE OIL SAE 30	108-1745	HOSE-FORMED
108-1197	PREMIUM ENGINE OIL SAE 30	108-1757	COVER-SEATBASE
108-1260	BATTERY-DRY	108-1782	HEADER
108-1370	GEARBOX REPLACEMENT KIT	108-1783	HEADER ASM
10-8140	SPRING-LATCH, BRAKE	108-1785-03	BRACKET-SUPPORT, MUFFLER
108-1450	BLADE SERVICE PACK, 21.75	108-1791	SHROUD-FAN
108-1451	ATOMIC BLADE SERVICE PACK	108-1799-03	HOOP-GUARD
108-1452	BLADE SERVICE PACK, 19 IN	108-1801-01	BRACKET-SUPPORT, PUMP
108-1453	BLADE SERVICE PACK, 20 IN	108-1802	CABLE-BATTERY, POSITIVE
108-1454	BLADE SERVICE PACK, 25 IN	108-1806-01	PLATE-FLOOR
108-1462	BLADE SERVICE PACK, 27 IN	108-1814-03	BRACKET-BULKHEAD
108-1463	BLADE SERVICE PACK, 27 IN	108-1825	HYD MANIFOLD ASM
108-1464	BLADE SERVICE PACK, 27 IN	108-1842	FUEL TANK ASM
108-1471	RH REAR ARM ASM	108-1844	TREAD-PANEL, SERVICE
108-1473	LH REAR ARM ASM	108-1924	SPACER-IDLER
108-1475-03	BELL CRANK-RH	108-1954	BEARING SPACER SET
108-1476-03	BELL CRANK-LH	108-1956	SHAFT-SPINDLE
108-1477	BLADE SERVICE PACK, 18 IN	108-2124-03	CLAMP-TINE
108-1478	BLADE SERVICE PACK, 24.75	108-2132	CORING HEAD BEARING KIT
108-1483	WASHER	10-8220	TOOL BOX PAD
108-1590	PREMIUM ALL SEASON GEAR L	108-2282	PIN-CLEVIS
108-1591	PREM HVY DUTY ALL SEASON	108-2603	ELEMENT-FILTER, AIR
108-1600	RIM	108-2604	AIR FILTER ELEMENT ASM
108-1602	WHEEL AND TIRE ASM	108-2829	ADAPTOR-CARBURETOR
108-1606-03	BRACKET-HINGE	108-2835-01	SCARIFIER MOUNT ASM
108-1607-03	PLATE-HINGE	108-2872	COLLAR-FAN
108-1625	HYD MOW BLOCK MANIFOLD AS	108-2924	VALVE-STEERING
108-1640	GAUGE-FUEL	108-2928-01	BOX ASM
108-1641	DRIVESHAFT ASM	108-2936	CONSOLE
108-1642	FITTING-SUCTION	108-2938	TANK-FUEL
108-1643	FITTING-RETURN	108-2947	HYD MOTOR ASM (CCW)
108-1665-03	BRACKET-RESERVIOR	108-2948	HYD MOTOR ASM (CW)
108-1666-03	BRACKET-RESERVOIR	108-2949	HYD MOTOR ASM (CW)
108-1671-01	BRACKET-STEP	108-3150	SLEEVE ASM
108-1672	MANIFOLD-TUBE	108-3151	NUT-LOCK, BEARING
108-1679	HOSE-HYD	108-3156	BRACKET-ROD
108-1683	HOSE-FORMED	108-3162	SPACER
108-1685	HOSE-FORMED	108-3168	SPACER-HITCH
108-1686	HOSE-HYD	108-3198-03	HANGER ASM

PARTS LIST

Part Number	Description
108-3263	REPAIR KIT - SEAL
108-3284	HOSE-FUEL
108-3808	FILTER-AIR
108-3809	FILTER-AIR
108-3810	FILTER-AIR
108-3811	FILTER-AIR
108-3812	FILTER-AIR
108-3813	ELEMENT-SAFETY, AIR CLEAN
108-3814	FILTER-AIR
108-3815	FILTER-AIR
108-3816	FILTER-AIR
108-3817	FILTER-OIL
108-3818	FILTER-FUEL
108-3828	FILTER-FUEL
108-3831	FILTER-FUEL
108-3833	FILTER-AIR
108-3835	OIL-FILTER
108-3837	FILTER-OIL
108-3841	FILTER-OIL
108-3842	FILTER-OIL
108-3847	FILTER-OIL
108-3854	FILTER-FUEL
108-4000	BUSHING
108-4004	GEAR MOTOR ASM
108-4022	SHAFT-CARRIER, PIVOT
108-4023	SHAFT-CARRIER, PIVOT
108-4032	NO. 1 LIFT ARM ASM
108-4033	NO. 4 LIFT ARM ASM
108-4034	NO. 5 LIFT ARM ASM
108-4172	SEAL-EXCLUDER
108-4176	PLATE-BRUSH
108-4190	ROLLER BRUSH ASM
108-4193	BRUSH-ROLLER
108-4197	HOUSING-BEARING, DRIVE
108-4200	BEARING HOUSING ASM
108-4201	BEARING HOUSING ASM
108-4205	PLATE-BRUSH
108-4206	HOUSING-BEARING, DRIVEN
108-4207	HOUSING-BEARING, NON DRIV
108-4213	BRACKET-HOC, GROOMER (LH)
108-4214	BRACKET-HOC, GROOMER (RH)
108-4234	SHAFT-DRIVE
108-4269-01	WEIGHT
108-4279	SPACER-FRAME
108-4284	TUBE-SUPPORT
108-4286	BRACKET-ADJUSTMENT
108-4289	PIN-MOUNT, ROLLER
108-4293	ROLLER
108-4302	BEDKNIFE-TOURNAMENT, EXTE
108-4303	BEDKNIFE-MICROCUT, EXTEND
108-4334	ROLLER-AUXILIARY
108-4339	AUXILIARY ROLLER ASM
108-4391	BELT-HEX
108-4393	BELT-HEX
108-4436	CYLINDER-HYD, LIFT
108-4475-03	SCRAPER-ROLLER, FULL FRON
108-4477	SPACER
108-4478	PLATE-IDLER
108-4480	BRACKET-MOUNTING
108-4491	SPACER

Part Number	Description
108-4495	HOUSING-BEARING, DRIVEN
108-4496	HOUSING-BEARING, NON DRIV
108-4497	BELT-GROOMER
108-4511-01	TUBE ASM
108-4527-03	BAR-TOOL
108-4957	INSERT-LH
108-4958	INSERT-RH
108-4959	ROD-TURF
108-4960	SPRING-COMPRESSION
108-4961	TAB-STOP, SHIELD
108-4975	SHAFT ASM
108-4977	INSERT-LH
108-4978	INSERT-RH
108-4991	FAIRWAY BASKET ASM
108-4994	SPACER
108-5194	FILTER-OIL, HYD
108-5402-03	TORSION TUBE ASM
108-5406-03	PLATE-WEAR
108-5412	SPRING-EXTENSION
108-5418-03	LOCK LEVER ASM
108-5421	PLATE ASM
108-5424	SPRING-TORSION
108-5431	PIVOT-STEERING
108-5432	SPACER-BEARING
108-5472	TUBE ASM
108-5477	SHROUD-FAN
108-5481	HOSE-SUCTION
108-5482	BRACKET-FILTER, OIL
108-5483	HOSE-SUCTION, TANK
108-5484	HUB-FAN
108-5490-03	PLATE-PUMP
108-5498-01	PEDAL
108-5675	HYDRAULIC HOSE ASM
108-6094	LATCH
108-6475	KIT-BEARING HOUSING
108-6496	SWITCH (W/BOOT)
108-6503-03	CONSOLE ASM
108-6505	HOSE-HYD
108-6506	HOSE-HYD
108-6507	HOSE-HYD
108-6508	HOSE-HYD
108-6509	HOSE ASM
108-6510	HOSE ASM
108-6511	HOSE ASM
108-6538	HOUSING-BEARING, SERVICE
108-6539	MANIFOLD-EXHAUST
108-6542	PULL LINK ASM
108-6543	SHAFT-ROLLER
108-6544	SPACER
108-6590-03	BRACKET-SEAT, LOWER
108-6709	BELT-DRIVE
108-6713	BELT-V, RIBBED
108-6715	GAUGE BAR ASM
108-6809	HOLDER-TINE
108-6837	INSERT-SLEEVE, 3/4 INCH
108-6846	NEEDLE TINE HOLDER ASM
108-6849-03	CLAMP-TINE, NEEDLE
108-6855	SHROUD-WHEEL, RH
108-6856	SHROUD-WHEEL, LH
108-6859-01	SHROUD-CENTER

Part Number	Description	Part Number	Description
108-6878	SEAT	108-8416	TUBE ASM
108-6885	PIN ASM	108-8426	HOSE ASM
108-6895-01	BRACKET-MOUNT, TANK	108-8428	HYD HOSE ASM
108-6898	SHROUD-DASH	108-8431	TUBE ASM
108-6945	PLUG-SPARK	108-8432	TUBE ASM
108-6980	DRUM-BRAKE, 8 INCH	108-8433	HYD HOSE ASM
108-6981	BRAKE SHOE KIT	108-8440	HOSE ASM
108-6983	BRAKE HARDWARE KIT	108-8455-01	BRACKET-CLAMP
108-7007	TIRE (22.5X10-8)	108-8457	COOLER-OIL
108-7384-03	CARRIER FRAME ASM	108-8468	PLUG-HH
108-7387	ROLLER ASM	108-8470	SLEEVE-STEERING
108-7388	SHAFT-ROLLER	108-8471	NUT-STEERING
108-7389-03	ROLLER TUBE ASM	108-8481	YOKE AND BUSHING ASM
108-7395-03	BLADE-COMBO, 22IN	108-8482	BUSHING-SLEEVE
108-7577-03	SEAT BASE	108-8483	SPACER-PLAIN
108-7582-03	PLATE-PIVOT	108-8625	ROLLER SHAFT REPLACEMENT
108-7584-01	PLATE-GUIDE, ROD	108-8626	FLANGE-TRIANGULAR
108-7585	GUIDE-HOSE	108-8642	GRASS BASKET ASM
108-7587	SADDLE-HOOD	108-8657	HARNES-WIRE, SEAT
108-7591-03	MOUNT-SEAT / CONTROL	108-9026-03	BLADE-COMBO
108-7602	REST-ARM	108-9036	HYD GEAR PUMP ASM
108-7604	COVER-LH	108-9037	MANIFOLD ASM
108-7605	COVER-RH	108-9080	LH SIDE PLATE ASM
108-7623	TUBE ASM	108-9081	RH SIDE PLATE ASM
108-7624	TUBE ASM	108-9082	PLATE-SIDE, LH
108-7625	TUBE ASM	108-9083	PLATE-SIDE, RH
108-7629	TUBE ASM	108-9084	SPRING-COMPRESSION
108-7630	TUBE ASM	108-9090-01	WEIGHT-END
108-7632	TUBE ASM	108-9096	BEDKNIFE-STD (FAIRWAY)
108-7633	TUBE ASM	108-9104	TINE-QUAD (AE3-450-2)
108-7639-03	PLATE	108-9105	TINE-QUAD (AE3-450-3)
108-7641	CAP-TANK, HYD	108-9106	TINE-QUAD (AE3-450-4)
108-7643	MUFFLER	108-9108	TINE-QUAD (AE3-500-2)
108-7662	SCREW-LUG	108-9109	TINE-QUAD (AE3-500-3)
108-7903	CLAMP-TANK	108-9110	TINE-QUAD (AE3-500-4)
108-7906-01	PANEL-FRONT	108-9112	TINE-QUAD, CARBIDE (CE3-4)
108-7909-03	PANEL-CONTROL	108-9114	TINE-QUAD, CARBIDE (CE3-4)
108-7913	CABLE-BRAKE, PARK	108-9116	TINE-QUAD, CARBIDE (CE3-4)
108-7931-03	BASE-SEAT	108-9120	TINE-QUAD, CARBIDE (CE3-5)
108-7935-03	SHROUD-SEAT	108-9122	TINE-QUAD, CARBIDE (CE3-5)
108-7941	PLATE-GUIDE, LEVER	108-9124	TINE-QUAD, CARBIDE (CE3-5)
108-7942	REAR LEVER ASM	108-9128	TINE-HOLLOW (AH6-475-3)
108-7965	CLAMP-TANK, HYD	108-9129	TINE-HOLLOW (AH6-475-4)
108-7977-03	HUB-WHEEL	108-9130	TINE-HOLLOW (AH6-475-5)
108-7979-03	BELLCRANK	108-9132	TINE-HOLLOW (AH6-575-3)
108-7983	BUSHING-CABLE	108-9133	TINE-HOLLOW (AH6-575-4)
108-7986-03	BAR-BRAKE	108-9134	TINE-HOLLOW (AH6-575-5)
108-7987	LINK-LATCH, PARKING	108-9135	TINE-HOLLOW, CARBIDE (CH6)
108-7991-03	LEVER-BRAKE	108-9136	TINE-HOLLOW (AH6-650-4)
108-7994	BUSHING-PIVOT, LEVER	108-9137	TINE-HOLLOW (AH6-650-5)
108-7995-03	PLATE-SUPPORT, CONSOLE	108-9138	TINE-HOLLOW (AH6-650-3)
108-7996	DIPSTICK ASM	108-9139	TINE-HOLLOW, CARBIDE (CH6)
108-8076	V-BELT, DECK	108-9141	TINE-HOLLOW, CARBIDE (CH6)
108-8077	V-BELT, DECK	108-9143	TINE-HOLLOW, CARBIDE (CH6)
108-8401	HOSE-AIR	108-9145	TINE-HOLLOW, CARBIDE (CH6)
108-8406	TUBE ASM	108-9147	TINE-HOLLOW, CARBIDE (CH6)
108-8409	TUBE ASM	108-9149	TINE-HOLLOW, CARBIDE (CH6)
108-8411	TUBE ASM	108-9151	TINE-HOLLOW, CARBIDE (CH6)
108-8414	TUBE ASM	108-9153	TINE-HOLLOW, CARBIDE (CH6)
108-8415	TUBE ASM	108-9155	TINE-HOLLOW, CARBIDE (CH7)

PARTS LIST

Part Number	Description
108-9157	TINE-HOLLOW, CARBIDE (CH7
108-9159	TINE-SIDE EJECT (AE6-475-
108-9160	TINE-SIDE EJECT (AE6-475-
108-9161	TINE-SIDE EJECT (AE6-475-
108-9162	TINE-SIDE EJECT (AE6-650-
108-9163	TINE-SIDE EJECT (AE6-575-
108-9164	TINE-SIDE EJECT (AE6-575-
108-9165	TINE-SIDE EJECT (AE6-575-
108-9166	TINE-SIDE EJECT, CARBIDE
108-9167	TINE-SIDE EJECT (AE6-650-
108-9168	TINE-SIDE EJECT (AE6-650-
108-9170	TINE-SIDE EJECT, CARBIDE
108-9172	TINE-SIDE EJECT, CARBIDE
108-9174	TINE-SIDE EJECT, CARBIDE
108-9176	TINE-SIDE EJECT, CARBIDE
108-9178	TINE-SIDE EJECT, CARBIDE
108-9180	TINE-SIDE EJECT, CARBIDE
108-9182	TINE-SIDE EJECT, CARBIDE
108-9184	TINE-SIDE EJECT, CARBIDE
108-9186	TINE-SD EJECT, CARBIDE (C
108-9188	TINE-SD EJECT, CARBIDE (C
108-9190	TINE-HOLLOW (AH7-475-5)
108-9191	TINE-HOLLOW (AH7-475-6)
108-9192	TINE-HOLLOW, (AH7-575-5)
108-9193	TINE-HOLLOW, (AH7-575-6)
108-9194	TINE-SIDE EJECT (AE7-475-
108-9195	TINE-SIDE EJECT (AE7-475-
108-9196	TINE-SIDE EJECT (AE7-575-
108-9197	TINE-SIDE EJECT (AE7-575-
108-9198	TINE-SOLID (AS6-450-25)
108-9199	TINE-SOLID (AS6-450-3)
108-9200	TINE-SOLID (AS6-450-35)
108-9201	TINE-SOLID (AS6-450-4)
108-9202	TINE-SOLID (AS6-450-5)
108-9203	TINE-SOLID (AS6-450-6)
108-9204	TINE-SOLID (AS6-550-25)
108-9205	TINE-SOLID (AS6-550-3)
108-9206	TINE-SOLID (AS6-550-35)
108-9207	TINE-SOLID (AS6-550-4)
108-9208	TINE-SOLID (AS6-550-5)
108-9209	TINE-SOLID (AS6-550-6)
108-9210	TINE-SOLID (AS6-650-3)
108-9211	TINE-SOLID (AS6-650-35)
108-9212	TINE-SOLID (AS6-650-4)
108-9213	TINE-SOLID (AS6-650-5)
108-9214	TINE-SOLID (AS6-650-6)
108-9215	TINE-CROSS, 3/8 (AX3-450-
108-9216	TINE-CROSS, 1/2 (AX3-450-
108-9217	TINE-CROSS, 5/8 (AX3-450-
108-9218	TINE-CROSS, 3/8 (AX3-550-
108-9219	TINE-CROSS, 1/2 (AX3-550-
108-9220	TINE-CROSS, 5/8 (AX3-550-
108-9221	TINE-CROSS, 1/2 (AX6-450-
108-9222	TINE-CROSS, 5/8 (AX6-450-
108-9223	TINE-CROSS, 3/4 (AX6-450-
108-9224	TINE-CROSS, 1/2 (AX6-550-
108-9225	TINE-CROSS, 5/8 (AX6-550-
108-9226	TINE-CROSS, 3/4 (AX6-550-
108-9227	TINE-CROSS, 1/2 (AX6-650-
108-9228	TINE-CROSS, 5/8 (AX6-650-

Part Number	Description
108-9229	TINE-CROSS, 3/4 (AX6-650-
108-9230	TINE-SOLID (AS3-450-2)
108-9231	TINE-SOLID (AS3-450-25)
108-9232	TINE-SOLID (AS3-450-3)
108-9233	TINE-SOLID (AS3-450-35)
108-9234	TINE-SOLID (AS3-550-2)
108-9235	TINE-SOLID (AS3-550-25)
108-9236	TINE-SOLID (AS3-550-3)
108-9237	TINE-SOLID (AS3-550-35)
108-9238	TINE-SLICING, 5/8 (AB3-50
108-9239	TINE-SLICING, 3/4 (AB6-45
108-9240	TINE-SLICING, 3/4 (AB6-55
108-9241	TINE-SLICING, 3/4 (AB6-65
108-9242	TINE-SLICING, HD (550-75)
108-9243	TINE-SLICING, HD (650-75)
108-9244	TINE-SOLID, ROUND (550-75
108-9245	TINE-SOLID, ROUND (650-75
108-9246	TINE-SOLID, ROUND (550-75
108-9247	TINE-SOLID, ROUND (550-88
108-9248	TINE-SOLID, ROUND (650-75
108-9249	TINE-SOLID, ROUND (650-88
108-9259	TINE-CROSS (550-88)
108-9260	TINE-HD 3/4 MT (575-5)
108-9261	TINE-HD 3/4 MT (575-6)
108-9264	TINE-HD 7/8 MT (575-6)
108-9265	TINE-HD 7/8 MT (575-7)
108-9290	TINE-QUAD (AE3-550-4)
108-9293	TINE-QUAD (AE3-450-5)
108-9294	TINE-QUAD (AE3-500-5)
108-9296	TINE-SPOON, OPEN 600
108-9297	TINE-SPOON, CLOSED 600
108-9298	TINE-SPOON, OPEN 800
108-9299	TINE-SPOON, CLOSED 800
108-9955	TIRE
109-0275	HOSE-FUEL
109-0294	HOSE-FUEL
109-0302	HOSE-FUEL
109-0304	HOSE-FUEL
109-0660	HOSE-FUEL
109966	BEARING-BALL
110-0009	JOINT ARM ASM
110-0259-03	TINE-SCARIFIER
110-0260-03	TINE-WEEDER
110-0485	COOLER-OIL
110-0621-03	BLADE-MEDIUM FLOW
110-0622-03	BLADE-ROTARY, HIGH FLOW
110-0624-03	BLADE-ROTARY, ATOMIC
11-0070	SCRAPER COMB ASM
110-0901	HYD MOTOR ASM
110-0906-01	SUPPORT-FILTER, OIL
110-0907-01	BRACKET-BATTERY
110-0913	CONTROL-THROTTLE
110-0914	ROD-PAWL, BRAKE
110-0915	TUBE ASM
110-0916	TUBE ASM
110-0917-01	BRACKET-BULKHEAD, LH
110-0918-01	BRACKET-BULKHEAD, RH
110-0919	BRACKET-SWITCH
110-0922	HOOP-CHAIN
110-0928	HOSE-HYD

Part Number	Description
110-0929	HOSE-HYD
110-0930	HOSE-HYD
110-0931	HOSE-HYD
110-0938-01	PLATE-BRIDGE
110-0952-03	SCREEN ASM
110-0966	FAN-COOLING
110-0972	PULLEY
110-0973	HOSE-HYD
110-0984	DECAL-CONSOLE
110-0986	DECAL-PLATE, COVER
110-0988	TREAD-FLOOR, SIDE
110-0991	NO. 1 LIFT ARM ASM
110-0992	NO. 2 LIFT ARM ASM
110-0993	NO. 3 LIFT ARM ASM
110-0994	NO. 4 LIFT ARM ASM
110-0998	DECAL-PANEL, CONTROL
110-1322	HYD HOSE ASM
110-1323	TUBE ASM
110-1325	HOSE-RETURN
110-1330	TUBE ASM
110-1332	BRACKET-CLAMP
110-1333	BRACKET-CLAMP
110-1350-03	DRAG FRAME ASM
110-1368-01	PLATE-ROLLER
110-1372	FITTING-VENT, TANK
110-1395-03	TOOL BAR ASM
11-0160	ROLLER SHAFT SCREW ASM
110-1700	SPRING-EXTENSION
110-1701	BEARING
110-1706	DEFLECTOR
110-1716	BELT-GROOMER
110-1718	SCREW-HHF
110-1731-03	SCRAPER-WIEHLE, COMB
110-1734	DECAL-BELT TENSION
110-1735	COMB/SCRAPER KIT-RM5010/R
110-1740	BRUSH-ROLLER, HIGH HOC
110-1741	PULLEY-DRIVER
110-1742	PULLEY-DRIVER
110-1743	PULLEY-KEYED DRIVEN
110-1745	IDLER BEARING ASM
110-1746	BELT-BRUSH
110-1747	BELT-BRUSH
110-2220	ROLLER-FULL, 2 INCH DIAME
110-2221	ROLLER-WIEHLE, NARROW
110-2227	ROLLER-WIEHLE, WIDE
110-2300	BEDKNIFE-MICROCUT, EXTEND
110-2301	BEDKNIFE-LOW CUT
110-2333	BLADE-GROOMER, HELIX
110-2338	GROOMER SHAFT ASM
110-2380	BASKET WITH FRAME ASM
110-2381	SPACER
110-2382	SHAFT-DRIVE, REEL
110-2389	SHAFT-HEX
110-2391	WASHER
110-2393	BLADE-GROOMER,CARBIDE
110-2536	BALL JOINT-LH
110-2537	BALL JOINT-RH
110-2538	BEARING-RELEASE, CLUTCH
110-2548	CABLE-CLUTCH
110-2549	CABLE-ACCELERATOR, LIQUID

Part Number	Description
110-2598	MOTOR-STARTER
110-2730	TIP-CHOPPER ASM
110-2772	BELT-B SECTION/SET OF 3
110-2908	BRUSH-SWEEPER
110-3257	HOSE-FUEL
110-3259	HOSE-FUEL
110-3285	SPINDLE SHAFT ASM
110-3314	CABLE-POSITIVE, BATTERY
110-3315	CABLE-POSITIVE, STARTER
110-3322-01	BRACKET-RELAY
110-3362	BAR-PIVOT
110-3364	TIRE(22X11-8) 2 PLY SMOOT
110-3365	PLUG-EXPANSION
110-3371	HOSE-FUEL
110-3380	NUT-STANDOFF
110-3467-01	LH RAIL ASM
110-3468-01	RH RAIL ASM
110-3469	PLUG-HEAD, BALL
110-3575	DRIVESHAFT ASM
110-3796	BELT-V
110-3800	STARTER ASM
110-3951	SPRING-TORSION, RH
110-3952	SPRING-TORSION, LH
110-3953	SPRING-TORSION, CENTER
110-3955	CENTER LIFT ARM ASM
110-3986	SCREW
110-4001	MUFFLER
110-4015	HYD MOTOR ASM (CCW)
110-4016	HYD MOTOR ASM (CW)
110-4053	SHAFT-ROLLER
110-4058	BRACKET-CHAIN
110-4060	SHAFT-ROLLER, SHORT
110-4069	BRACKET
110-4074	BEDKNIFE-HD (FAIRWAY)
110-4079	SPRING-COMPRESSION
110-4084	BEDKNIFE-LOW HOC (FAIRWAY
110-4086	GROOMER/RRB BEARING AND S
110-4100	HOSE-FUEL
110-4104	HOSE-FUEL
110-4109	HOSE-FUEL
110-4110	HOSE-LP
110-4113	HOSE-FUEL
110-4146	FILTER-HYD
110-4252-03	ROLLER ASM
110-4327	BELT-BANDED, 4 GROOVE
110-4444	ROLLER ASM
110-4555	BEARING-BALL, 2 ROW
110-4556	BEARING-BALL
110-4635	CROSS AND BEARING KIT
110-4641	CROSS AND BEARING KIT
110-4692-03	HOLDER-7/8 INCH
110-4701	BLADE-ROTARY, STANDARD (2
110-4702-03	BLADE-ROTARY, HIGH FLOW (
110-4703-03	BLADE-ROTARY, ATOMIC (20.
110-4767	GM 3280 CASTOR WHEEL ASM
110-4768	GM3280 62" RDD/GUARDIAN B
110-4769	GM3280 72" RDD/GUARDIAN B
110-4770	GM3280 60" SDD BLADE & BE
110-4771	GM3280 72" SDD BLADE & BE
110-4812	AXLE VENT ASM

PARTS LIST

Part Number	Description
110-5132	TIRE
110-5133	TIRE
110-5227	HUB-PUMP
110-5236	HUB-ENGINE
110-5251-03	FRAME-RADIATOR
110-5253-01	ADAPTER-HOOD, LH
110-5254-01	ADAPTER-HOOD, RH
110-5255	BUMPER-BASE, SEAT
110-5256-01	BRACKET-LATCH, HOOD
110-5259-03	BRACKET-HOOD, GUIDE
110-5269-03	SCREEN
110-5275	SEAL-FOAM
110-5276	SEAL-FOAM
110-5286	TUBE ASM
110-5287	TUBE ASM
110-5288	TUBE ASM
110-5295-03	LINK-DRAG, RH
110-5297-03	LINK-DRAG, LH
110-5299-03	SPINDLE
110-5310-01	BRACKET-MOUNTING
110-5311	SHROUD-FAN
110-5313-03	BRACKET-RETAINER
110-5314	LATCH
110-5323-03	BRACKET
110-5324	SEAL-FOAM
110-5331	SPRING-COMPRESSION
110-5334-03	TIE ROD ASM
110-5335	ROD-TIE
110-5337	NUT-JAM
110-5339	SPACER
110-5340	LATCH
110-5343-03	BRACKET-BRAKE
110-5345	WASHER
110-5688	HOSE-FUEL
110-5946-03	BLADE-ROTARY
110-5948-03	BLADE-ROTARY, ATOMIC
110-5999-01	CASTOR FORK ASM
110-6115-03	BLADE-FLAT SAIL, 21.75 IN
110-6116-03	BLADE-FLAT SAIL, 19.00 IN
110-6129	IDLER ARM ASM
110-6130	FLAT BLADE SERVICE PACK (
110-6140	FLAT BLADE SERVICE PACK (
110-6166	FILTER-OIL
110-6186	HOSE-FUEL
110-6187	HOSE-FUEL
110-6303	HYD HOSE ASM
110-6310	FRONT WHEEL HUB ASM
110-6311	STUD
110-6312-03	WEIGHT
110-6314	SPINDLE
110-6348-03	SHIELD-EXHAUST
110-6460	SEAL KIT
110-6461	SEAL KIT
110-7350	HOC KIT
110-7351	ARM-HOC
110-7352	SCREW-HOC
110-7370	GRASS SHIELD ASM
110-7500	HANGER-FLAIL, PIVOT
110-8105	LINK ASM
110-8151	HOSE-FUEL, FORMED

Part Number	Description
110-8181	HOSE-FUEL
110-8195	WASHER-STEERING
110-8297	BEARING ASM
110-8537	SPINDLE ASM
110-8751	HOSE-FUEL
110-8785	HYD MOTOR ASM (CCW)
110-8786	HYD MOTOR ASM (CW)
110-8787	FRONT CARRIER FRAME ASM
110-8795	CABLE-THROTTLE
110-8806	PUMP-FUEL
110-8813	CABLE-BATTERY, NEGATIVE
110-8814	FUEL FILTER ASM
110-8851	MECHANICAL SUSPENSION ASM
110-8852	FAN-COOLING
110-8856	SPACER
110-8871	RH BRAKE ASM
110-8872	LH BRAKE ASM
110-8874-03	CATCH
110-8876-01	BRACE-COLUMN
110-8878	SHIELD-WHEEL, REAR (RH)
110-8882	VALVE-RELIEF, CROSS OVER
110-8884	RH ACTUATOR KIT
110-8885	DUST BOOT KIT
110-8896	SEAL KIT
110-8910	LH ACTUATOR KIT
110-8915	HYD TUBE ASM
110-8917	AIR CLEANER ASM
110-8921	DECAL-SPEED, MOW
110-8924	DECAL-DANGER
110-8925	HINGE ASM
110-8928	PIN ASM
110-8942	HOSE-FORMED
110-8943	HOSE-FORMED
110-8944	HOSE-FORMED
110-8946	CLAMP-FRAME, RADIATOR
110-8951-03	BUMPER
110-8955	HOSE
110-8964	HYD MOTOR ASM
110-8965	HYD MOTOR ASM
110-8966	HOSE-HYD
110-8971	LATCH
110-8972	HOOK-LATCH
110-8976	PLATE-SUPPORT, ISOLATOR
110-8977-03	STAND-AIR CLEANER
110-8981-03	BRACKET-MOUNTING
110-8982	WASHER-SPRING
110-9007-03	SUPPORT-CABLE, THROTTLE
110-9011	HOSE-FUEL
110-9015	ELEMENT-SPIN ON
110-9021	HOSE-FORMED
110-9029	BIO-DIESEL KIT
110-9035	HYD CYLINDER ASM
110-9036	CABLE-BRAKE, RH
110-9037	CABLE-BRAKE, LH
110-9041	STEP-ALUMINUM
110-9044	SEPARATOR-FILTER
110-9046	HUB ASM
110-9049	FILTER-SPIN ON
110-9590	BELT-V
110-9591	BELT-V

Part Number	Description	Part Number	Description
110-9592	BELT-V	112-1348	TINE-SOLID
110-9593	BELT - V	112-1350	STARTER ASM
110-9594	BELT-V	112-1351	STARTER ASM
110-9595	BELT-V	112-1352	STARTER
110-9600	DPA HIGH HOC KIT	112-1353	STARTER ASM
110-9602-03	3" FULL FRONT ROLLER SCRA	112-1356	STARTER ASM
110-9605	FULL FRONT ROLLER ASM	112-1358	ALTERNATOR
110-9609-03	SHOULDER ROLLER SCRAPER A	112-1359	ALTERNATOR
110-9611	ROLLER-SHOULDER, PLASTIC	112-1360	ALTERNATOR
110-9612-03	FULL ROLLER TUBE ASM (3IN)	112-1364	ALTERNATOR
110-9628	LH SIDE PLATE ASM	112-1366	STARTER
110-9629	RH SIDE PLATE ASM	112-1400	PIVOT ASM
110-9630	LH SIDE PLATE ASM	112-1403	ADAPTER ASM
110-9631	RH SIDE PLATE ASM	112-1405	ADAPTER ASM
110-9642	DECAL-WARNING	112-1432	ADAPTER ASM
110-9683	SHAFT-REAR ROLLER	112-1480-01	PLATE-BAHIA, RIGHT
110-9695	HUB-PUMP	112-1482-01	PLATE-BAHIA, LEFT
110-9713	CARRIER FRAME ASM	112-1704	PLASTIC WIEHLE ROLLER ASM
111-1276	BEARING	112-1705	ROLLER-WIEHLE, PLASTIC
111-1381	CUTTING DISC	112-1707	SHAFT-ROLLER, WIEHLE
111-1492	ROLLER BEARING	112-1708	SHORT REAR ROLLER ASM
111-1717	ROLLER SHAFT WA **H56**	112-1711	SHAFT-REAR ROLLER, SHORT
111-5755	TIRE	112-1718-01	BEDBAR
111-5758	BEARING	112-1728	LONG REAR ROLLER ASM
112-0009	LEVER-PUMP KIT	112-1731	SHAFT-REAR ROLLER, LONG
112-0153	SCREW	112-1732	FULL ROLLER ASM
112-0156	ARM-CONTROL	112-1733	PLASTIC SHOULDER ROLLER A
112-0175	PAINT-BLACK PEN	112-1734	ROLLER-SHOULDER, PLASTIC
112-0176	PAINT-BLACK BOTTLE	112-1735-01	SHIELD-REAR
112-0177	PAINT-RED PEN	112-1738	FRONT GRASS SHIELD ASM
112-0178	PAINT-RED BOTTLE	112-1853	BELT-V
112-0205	HYD HOSE ASM	112-2511	BELT
112-0217-01	FRAME	112-2911	BELT-STARTER
112-0220	GRILLE-MUFFLER	112-2912	BELT-DRIVE
112-0237	MOTOR-WHEEL, HYD (LH)	112-2923	SEAT ASM
112-0238	MOTOR-WHEEL, HYD (RH)	112-3131	BELT-STARTER
112-0273	HYD HOSE ASM	112-3163	TIRE
112-0278	SWITCH-REED	112-4254	BELT-TIMED
112-0285-01	FORK-CASTOR	112-5102	TINE-SLICING
112-0289	MANIFOLD ASM (WITH BACKLA	112-5103	TINE-SLICING
112-0291	SHIELD-MUFFLER	112-5105	TINE-CROSS
112-0297	STEERING CYLINDER ASM	112-5106	TINE-CROSS
112-0298	HYD STEERING CYLINDER ASM	112-5107	TINE-CROSS
112-1300	SLEEVE-TINE, 1/2"	112-5121	TINE-FAIRWAY, SPLIT (GF7-
112-1301	SLEEVE-TINE, 5/8"	112-5122	TINE-FAIRWAY, SPLIT (GF6-
112-1303	TINE-SIDE EJECT	112-5123	TINE-FAIRWAY, SPLIT (GF7-
112-1304	TINE-SE, CARBIDE	112-5262	SHAFT-ROLLER
112-1306	TINE-HOLLOW	112-5265	ROLLER ASM
112-1307	TINE-HOLLOW, CARBIDE	112-5268	MOUNT-ROLLER
112-1310	TINE-CROSS, CARBIDE	112-5290	BEARING-STEEL, STAINLESS
112-1311	TINE-CROSS, CARBIDE	112-5291	KIT-GREASABLE ROLLER ASM
112-1312	TINE-CROSS, CARBIDE	112-5757	MOUNT-ENGINE, RUBBER
112-1313	TINE-CROSS, CARBIDE	112-6461	HOSE-ADAPTER, CARBORETOR
112-1314	TINE-CROSS, CARBIDE	112-6468-03	BRACKET
112-1316	TINE-QUAD (AE4-450-3)	112-6950	SCREW-CARR
112-1322	TINE-QUAD, CARBIDE (CE4-4	112-6951	BRUSH COVER ASM
112-1329	TINE-SOLID (AS4-550-25)	112-6952	BRUSH COVER ASM
112-1330	TINE-SOLID (AS4-550-35)	112-6957	WASHER-HARDENED
112-1332	TINE-QUAD (AE5-450-3)	112-6967	O-RING
112-1347	TINE-SOLID	112-6968	O-RING

PARTS LIST

Part Number	Description
112-7022	STARTER ASM
112-7023	STARTER ASM
112-7024	ALTERNATOR ASM
112-7153	PIN
112-7156-03	RH LIFT ARM ASM
112-7157-03	LH LIFT ARM ASM
112-7161	SCREW-HH
112-7376	BELT-V, B
112-7377	BELT-V, B
112-7451	SCREW-TAP
112-7475	BEDKNIFE-EDGEMAX (21 INCH
112-7494	SEAL
112-7673	AXLE SHAFT ASM
112-7688	CONTROL-THROTTLE
112-7689	CONTROL-CHOKE
112-7836	FILTER-INLINE
112-8400	FUEL PUMP KIT
112-8409	FILTER-OIL
112-8908-01	BEDBAR
112-8910	BEDKNIFE-EDGEMAX
112-8915	REAR ROLLER ASM
112-8916-03	TUBE-ROLLER, LONG
112-8918	SHAFT-LONG, REAR ROLLER
112-8935	FRAME-CENTER
112-8942	FRONT GRASS SHIELD ASM
112-8944-01	SHIELD-GRASS, REAR
112-8954-01	BEDBAR
112-8961	REAR ROLLER ASM
112-8962-03	TUBE-LONG
112-8978	FRAME-CENTER
112-9130	BIO-DIESEL KIT, GM580D
112-9140	BIO-DIESEL FILTER KIT
112-9170	SEAL KIT
112-9174-01	FORK-CASTER
112-9181	PLATE-BOOT
112-9182	KIT-FUEL FILTER
112-9184	SEAL KIT
112-9185	HOSE ASM
112-9188	ELEMENT-FILTER, FUEL/WATE
112-9193	HOSE-HYD
112-9197	MANIFOLD ASM W/BACKLAP
112-9275	KNIFE-BED, MICRO-CUT (GRE
112-9279-03	BEDBAR-AGGRESSIVE
112-9458	GROOMER SHAFT AND PULLEY
112-9462-03	BASKET FRAME ASM
112-9469-01	AXLE ASM
112-9471	GRASS SHIELD ASM
112-9586-03	BLADE-FLAT
112-9916	HYD CYLINDER ASM
112-9918	THROTTLE CABLE KIT
112-9919	STOP-CABLE, THROTTLE
114-0381-03	ARM NO. 1 ASM
114-0382-03	ARM NO. 2 ASM
114-0383-03	ARM NO. 3 ASM
114-0384-03	ARM NO. 4 ASM
114-0385-03	ARM NO. 5 ASM
114-0403	HYD STEERING CYLINDER ASM
114-0430	TUBE-SEG, ROLLER
114-0434-03	BLADE-HIGH LIFT, 22IN
114-0435-03	BLADE-ATOMIC, 22IN

Part Number	Description
114-0440-03	SUPPORT-DECK
114-0550	TINE-HOLLOW
114-0551	TINE-HOLLOW
114-0553	TINE-HOLLOW, CARBIDE
114-0555	TINE-SD EJECT
114-0557	TINE-SD EJECT, CARBIDE
114-0558	TINE-SD EJECT
114-0560	TINE-SD EJECT, CARBIDE
114-0561	TINE-HOLLOW, CARBIDE
114-0583	SLEEVE, .500 DIA
114-0590-01	SLEEVE TOOL ASM
114-0620	HYDRAULIC CYLINDER ASM
114-0626	HYD CYLINDER ASM
114-0631	CLEVIS-LATCH, PARKING
114-0633	HOSE-HYD
114-0641-03	PIVOT ASM
114-0897	BLADE KIT-ATOMIC,GM59XX
114-2726	LEVER-BRAKE
114-3315	SOLENOID
114-3319	HARNES-WIRE, MAIN
114-3494	ELEMENT-FILTER, 25 MICRON
114-3717	SEAL-OIL
114-3825	FAN
114-3831	HOSE-RADIATOR, UPPER
114-3832	HOSE-RADIATOR, LOWER
114-3837	HOSE ASM
114-3848	COUPLER-SPRING, FLYWHEEL
114-3849	MUFFLER-TURBO
114-3972	CHAIN
114-4057	ELEMENT-SAFETY, 5 INCH
114-4319	PIVOT PIN, ASM
114-4634	KIT-ADJUSTER, SERVICE
114-4643	WHEEL
114-4650	DRIVE PLATE ASM, LH
114-4665	TIRE ASM
114-4672	STEERING VALVE ASM
114-4680	TANK ASM
114-4683	PIN-HINGE
114-4685	PIN-HINGE
114-4693-03	MOUNT-STEERING
114-4861	TIRE
114-5062	CAP-BIODIESEL
114-5400	PLASTIC WIEHLE ROLLER ASM
114-5401	ROLLER-WIEHLE, PLASTIC
114-5403	SHAFT-ROLLER, FRONT
114-5404	ROLLER ASM (LONG)
114-5406	2.5 INCH DIA ROLLER ASM (
114-5407	SHAFT-LONG, REAR ROLLER
114-5410	SHAFT-SHORT, REAR ROLLER
114-5411	NUT-LOCK, BEARING
114-5412	3 INCH DIA FULL FRONT ROL
114-5415	3 INCH DIA ROLLER ASM (LO
114-5417	3 INCH DIA ROLLER ASM (SH
114-5418-03	3 IN DIA ROLLER TUBE ASM
114-5419	FULL FRONT ROLLER ASM
114-5421	PLASTIC SHOULDER ROLLER A
114-5422	ROLLER-SHOULDER, PLASTIC
114-5430	ROLLER REBUILD KIT
114-5596	BUSHING-STRAIGHT
114-5640-03	JOINT YOKE ASM

Part Number	Description
114-5680	BUSHING-FLANGE
114-7606	CHOPPER-AXLE ASM
114-7614	BLADE-BENT
114-7715	AXLE-BRUSH
114-7728	SCREW-THREADLOCK
114-7741	TIRE
114-7742	RIM
114-8119	STEERING VALVE ASM
114-8385	FAN-ELECTRIC
114-8859	HYD WHEEL MOTOR ASM
114-8860	HYD WHEEL MOTOR ASM
114-8868	HYD HOSE ASM
114-8874	NO. 4 LIFT ARM ASM
114-8876	HUB ASM
114-8897	MUFFLER
114-9383	FULL FRONT ROLLER ASM (3I)
114-9384	FULL FRONT ROLLER ASM (3I)
114-9388	BEDKNIFE-STD
114-9389	BEDKNIFE-STD
114-9390	BEDKNIFE-HD
114-9391	BEDKNIFE-HD
114-9396	CAPSCREW-HH
115-0120-03	PEDAL-BRAKE
115-0123	V-BELT
115-0129	ROD-PAWL, BRAKE
11-5049	LH GEAR CASE ASM
11-5059	RH GEAR CASE ASM
11-5069	MAIN TUBE ASM
11-5079	LH ROLLER BRACKET ASM
115-0811	27-INCH ROLLER BRUSH ASM
115-0813	BRUSH-ROLLER
115-0828	BELT-BRUSH, 7-INCH
115-0833	BELT-BRUSH, 7 INCH
115-0838	BRUSH-ROLLER (HIGH HOC)
115-0839	SPRING-IDLER
11-5089	RH ROLLER BRACKET ASM
115-0894	BELT-BRUSH, 5 INCH (5-RIB)
115-1554	LATCH-DRAW
115-1572	TIRE
115-1770	21 INCH GROOMER SHAFT ASM
115-1880	BEDKNIFE-EDGEMAX, MICROCU
115-1881	BEDKNIFE-EDGEMAX, TOURNAM
115-2007	ROD-SPRING
115-2165	BALL JOINT
115-2283	CABLE-BRAKE, PARK
115-2284	CABLE-CLUTCH
115-2285	CABLE-ACCELERATOR
115-2292	TIMER-GLOW PLUG
115-2661	BRAKE DRUM ASM
115-2802	GUARD-TURF, 6 TINE (LH)
115-2951	BELT-A SECTION
115-3259	KIT-SERVICE, PIN
115-3260	KIT-SERVICE, PIN
115-3272	KIT-SERVICE, CYLINDER
115-3273	KIT-SERVICE, CYLINDER
115-3282	WASHER-SPECIAL
115-3290	RH SUPPORT PLATE ASM
115-3296	BEARING-SEALED
115-3299	SEAL-FLOCKED
115-3303-03	BAR-CUTOFF

Part Number	Description
115-3366	ROLLER
115-3434	SPINDLE
115-3435	SPINDLE ASM
115-3453	CARRIER FRAME ASM
115-3461	LH LIFTARM ASM
115-3462	RH LIFTARM ASM
115-3465	LH SHORT LIFTARM ASM
115-3466	RH SHORT LIFTARM ASM
115-3473	REAR LIFTARM ASM
115-3475	REAR LIFTARM ASM
115-3488	SPRING-TORSION
115-3771	HOSE ASM
115-4263	PLATE-SIDE, RH
115-4295	BELT-GROOMER
115-4510	BIMINI FOLDING SHADE ASM
115-4523	COUPLING-RUBBER
115-5219	PULLEY-DRIVEN, SPLINED
115-5258	SPRING-WIRE, FLAT
115-5296	NEEDLE VALVE ASM
115-5300	PROXIMITY SWITCH ASM
115-5304	CAP-FUEL
115-5305	CAP-FUEL
115-5357-03	BRACKET-JOYSTICK
115-5469	BUSHING-FLANGE
115-5471	ELEMENT-SEPARATOR, FUEL/W
115-5618	PIVOT-HUB
115-5642-03	BLADE ASM
115-5647	HYD LIFT CYLINDER ASM
115-5649	HITCH REPLACEMENT KIT
115-6699	BRAKE ROD ASM
115-6743	BELT-DRIVE, MAIN
115-6744	BELT-DRIVE, DRUM
115-6784	NUT-BEARING
115-6882	SHAFT-HEX, REEL
115-6923	SHIELD-BEARING, FLOCKED
115-7039	SCREW-ADJUSTER, BEDBAR
115-7041	ARM-HOC
115-7140	GASKET-HOUSING, MAIN
115-7143	SPRING-WAVE
115-7171	CABLE-BRAKE
115-7172	CABLE-CLUTCH, REEL
115-7193	NUT-HOC
115-7263	SCREW-LOCK, BEARING
115-7354	WHEEL ASM
115-7356	REAR FULL ROLLER (ALUMINU
115-7360	NARROW WIEHLE ROLLER ASM
115-7361	AUXILIARY ROLLER KIT
115-7365	BLADE-SCRAPER, WIDE (21 I
115-7366	BLADE-SCRAPER, FULL (21 I
115-7380	NARROW WIEHLE ROLLER SCRA
115-7386	WIDE WIEHLE ROLLER ASM (D
115-7388	SMOOTH ROLLER ASM (DIA 2.
115-7753	HOSE-COOLANT, UPPER
115-7771	SHAFT, SPLINED
115-7811	CABLE-SELECTOR, GEAR
115-7812	CABLE-HI LOW
115-7818	FUEL FILTER ASM
115-7854	FILTER-FUEL, INLINE
115-8059	YOKE-CABLE
115-8060	CLEVIS-DOUBLE

PARTS LIST

Part Number	Description
115-8066-03	MOUNT-ENGINE
115-8189	FILTER-OIL, ENGINE
115-8250	GEAR MOTOR ASM
115-8292-03	TUBE-ROLLER (LONG)
115-8293-03	TUBE-ROLLER, 2.5 INCH DIA
115-8294-03	TUBE-ROLLER (LONG)
115-8295-03	ROLLER TUBE ASM (FULL)
115-8296-03	TUBE-ROLLER (SHORT)
115-8297-03	TUBE-ROLLER, FULL
115-8298-03	BRACKET-COMB
115-8299	PLATE-COMB
115-8483	HYD HOSE ASM
115-8484	HYD HOSE ASM
115-8603	STARTER ASM
115-8861	STARTER
115-8877	FILTER-AIR, ENGINE (SAFET
115-8887	FILTER-AIR, ENGINE (PRIMA
115-8896	BLADE KIT-STD BLADE,GM59X
115-8898	BLADE-BELT KIT,GM59XX
115-8957	BELT-B-SECT. MATCH SET OF
115-9022	FINGER-PLASTIC
115-9023	CLAMP-FINGER
115-9024	PLATE-CENTER
115-9471	BEARING-CUP
115-9472	BEARING-CONE AND SEAL
115-9473	ALTERNATOR-60AMP
115-9793	BREATHER
117-0106	CABLE-BRAKE, RH
117-0107	CABLE-BRAKE, LH
117-0118	PIVOT ASM
117-0132	PIN
117-0148	PIN-CYLINDER
117-0172	SCREW-HH
117-0203-03	BRACKET-BRAKE SPRING
117-0208	SHAFT-PIVOT, LIFTARM
117-0209-03	BLADE-ANGLE SAIL, 22IN
117-0211	HYD HOSE ASM
117-0213	HYD HOSE ASM
117-0238	DETENT
117-0289	MVP KIT -HYD HOSE (GM4300
117-0297	ROLLER ASM-SECTIONAL
117-0299	HYD HOSE ASM
117-0823	TIRE-STANDARD
117-0957	SHAFT-ROLLER, WIEHLE
117-0959	ROLLER-WIEHLE, PLASTIC
117-0960	PLASTIC WIEHLE ROLLER ASM
117-0987	SHAFT-ROLLER, FRONT
117-0989	ROLLER-WIEHLE, PLASTIC
117-0990	PLASTIC WIEHLE ROLLER ASM
117-1353	BELT-TRACTION
117-1397	CABLE-CLUTCH, TRACTION
117-1408	DRUM
117-1507	GROOMING REEL ASM
117-1511	SCREW-HSH
117-1530	BEDKNIFE-EDGEMAX, MICROCU
117-1532	BEDKNIFE-EDGEMAX, TOURNAM
117-1548	BEDKNIFE-EDGEMAX
117-2364	HUB-FAN
117-2376	CABLE-BATTERY, POSITIVE
117-2453	SEAT KIT

Part Number	Description
117-2720	MVP KIT-HYD HOSE (RM5X10
117-2721	MVP KIT-HYD HOSE, GR3250-
117-2722	MVP KIT-BLADE PACK, STD (
117-2723	MVP KIT-HYD HOSE (RM4000
117-2724	MVP KIT-HYD HOSE (RM3100
117-2725	MVP KIT-HYD HOSE, GR3150
117-2726	CASE-SEAL KIT
117-2727	SEAL KIT WITH CASE
117-2792	FILTER-FUEL
117-2901	TIRE
117-3290	NUT-HEX
117-3399	BELT-V
117-3756	FULL REAR ROLLER ASM
117-3759	FULL FRONT ROLLER ASM
117-3763	PLATE-SIDE, RH
117-3764	PLATE-SIDE, LH
117-4464	BELT-V
117-4687	WASHER-CUP
117-4689	SPRING RAKE KIT
117-4764	DECAL-DANGER
117-4861	HOSE-HYD
117-4922	BELT-VEE
117-5100	SHAFT-REAR ROLLER
117-5115	HUB AND BEARING ASM
117-5121	SECTIONAL ROLLER ASM
117-5125	TIRE
117-5129	RIM
117-5135	RADIATOR
117-5141	HYD MOTOR ASM
117-5188	HOSE-HYD
117-5190	HOSE-HYD
117-5196	TIRE
117-5419	ALTERNATOR
117-5541	60 AMP ALTERNATOR ASM
117-5802	KIT-FLOW METER
117-5834	NOZZLE-SPRAYER
117-5835	NOZZLE-SPRAYER
117-5836	NOZZLE-SPRAYER
117-5837	NOZZLE-SPRAYER
117-5838	NOZZLE-SPRAYER
117-5839	NOZZLE-SPRAYER
117-5896	BELT-CVT
117-6619	BUSHING
117-6799	CARBIDE GROOMING REEL ASM
117-6824	BLADE-11 TOOTH (CARBIDE,
117-6831	BEARING-BALL, STAINLESS
117-6839	DETHATCHER BLADE KIT, 1.2
117-6840	DETHATCHER BLADE KIT, 2.0
117-7190	KIT-ADAPTER HEAD
117-7191	KIT-ADAPTER HEAD
117-7192	KIT-ADAPTER HEAD
117-7193	KIT-ADAPTER HEAD
117-7194	KIT-ADAPTER HEAD
117-7195	KIT-ADAPTER HEAD
117-7196	KIT-ADAPTER HEAD
117-7198	KIT-ADAPTER HEAD
117-7199	KIT-ADAPTER HEAD
117-8093	RADIATOR ASM
117-8972	FAN CLUTCH ASM
117-8976	SEAL

Part Number	Description	Part Number	Description
117-9032	RIM	119-4157	RETAINER-SHAFT
117-9233	HIGH SPINDLE ASM	119-4158	WASHER-HOC
117-9234	DOUBLE SPINDLE ASM	119-4164	WASHER-WAVE
117-9432	SPIN ON ELEMENT KIT	119-4165	SHIM-HEIGHT, ROLLER
117-9471	KIT-SERVICE,GR3250-D STEE	119-4166	SPACER-HEIGHT, ROLLER
117-9493	BOLT-BEDBAR	119-4276	ROLLER-TIPPER
117-9507	PEDAL-ACCELERATOR	119-4280	BEDKNIFE-EDGEMAX EXTENDED
117-9875	JOINT-BALL	119-4286	REAR ROLLER ASM (SHORT)
11-8960	FASTENER ASM	119-4288	REAR ROLLER ASM (SHORT)
119-0023	TIRE	119-4289	SHAFT-REAR ROLLER 32IN (S
119-0084	CONTROL-THROTTLE	119-4486	BELT-V, FAN
119-0087	RH LIFT ARM ASM	119-4546	SPINDLE HOUSING ASM
119-0089	LH LIFT ARM ASM	119-4547	DRIVING SPINDLE ASM
119-0116-03	MOUNT-BUMPER, RH	119-4548	DOUBLE DRIVEN SPINDLE ASM
119-0117-03	MOUNT-BUMPER, LH	119-4549	HIGH-DRIVEN SPINDLE ASM
119-0118	PAD-BUMPER	119-4775	SPINDLE HOUSING ASM
119-0614-01	WEIGHT-END	119-4776	LOW-DRIVEN SPINDLE ASM
119-0619	BEDKNIFE-EXTENDED, LC (FA	119-4777	SPINDLE ASM
119-0625	SHAFT ASM	119-4778	SPINDLE ASM
119-0626	SHIM-ROLLER	119-5298	DOUBLE-DRIVEN SPINDLE ASM
119-0630	PLASTIC SHOULDER ROLLER A	119-5852	FILTER-OIL
119-0631	ROLLER-SHOULDER, PLASTIC	119-6021	TIRE
119-0640	PLASTIC SHOULDER ROLLER A	119-6225	TIRE
119-0641	ROLLER-SHOULDER, PLASTIC	119-6343	TIRE
119-0649	TRIM/HD COLLAR KIT	119-6955	MVP KIT-HYD HOSE
119-0654	ADJUSTER-SEAT, LOCKING	119-6956	RADIATOR ASM
119-0934	BELT-CVT	119-6957	SERVICE PACK - COMBO BLAD
119-1128	BLADE-11 TOOTH	119-6964	LH HOSE GUIDE ASM
119-1604	COLLAR-TRIM/HD	119-6965	RH HOSE-GUIDE ASM
119-1652	THROTTLE	119-6968	DIPSTICK-OIL
119-1735	CABLE-CONTROL, TRACTION	119-6972	VARIABLE HYDRAULIC PUMP A
119-1868	WASHER	119-6987	HYD CYLINDER ASM
119-2157	PREMIUM SYNTHETIC BIO HYD	119-6988	HYD CYLINDER ASM
119-2479	TANK-HYDRAULIC	119-6989	HYD CYLINDER ASM
119-2482	DECAL-OPERATING	119-6990	HYD CYLINDER ASM
119-3009	TIRE	119-6991	HYD CYLINDER ASM
119-3010	RIM	119-8010-03	KICKSTAND
119-3516	TIRE-TRACTION	119-8020	ATOMIC BLADE KIT - 3 BLA
119-3555	RADIATOR	119-8021	HIGH FLOW BLADE KIT - 3 B
119-3557	HYD HOSE ASM	119-8145	HOSE-HYD (PRESSURE NO. 3)
119-3558	HYD HOSE ASM	119-8146	HOSE-HYD (RETURN NO. 3)
119-3871	RADIATOR	119-8147	HOSE-HYD (CASE NO. 3)
119-4035	SCREW-HSH	119-8157	HOSE-HYD (PRESSURE NO. 2)
119-4039	NUT-HEX, NI	119-8158	HOSE-HYD (RETURN NO. 2)
119-4040	NUT-FLANGE, NI	119-8160	HOSE-HYD (PRESSURE NO. 1)
119-4050	BEDBAR BOLT REPLACEMENT A	119-8161	HOSE-HYD (RETURN NO. 1)
119-4067	SCREW-HH	119-8162	HOSE-HYD (CASE NO. 1)
119-4090	SHAFT-ROLLER	119-8313	TIRE
119-4092	ROLLER TUBE ASM	119-8558	BEARING-NOSEAL
119-4093	REAR FULL ROLLER ASM	119-9040	TANK-HYDRAULIC
119-4095	GRASS SHIELD ASM	119-9044-03	BLADE-EDGER, OSCILLATORY
119-4097	ROLLER TUBE ASM, 18"	120-0404	BRACKET-HIGH HOC (LH)
119-4098	FULL ROLLER ASM	120-0405	BRACKET-HIGH HOC (RH)
119-4129	MUFFLER	120-0698	STRAINER-TIP, 100 MESH
119-4150	WASHER-FLAT	120-0699	STRAINER-TIP, 50 MESH
119-4151	SCREW-BEDKNIFE	120-0700	NOZZLE-AI .2GPM, YELLOW
119-4153	RUBBER BUSHING ASM	120-0701	NOZZLE-AI .4GPM, RED
119-4154	NUT-LOCK, NI	120-0702	NOZZLE-AI .5GPM BROWN
119-4155	WASHER-HARDENED	120-0703	NOZZLE-AI .6GPM, GRAY
119-4156	SPRING-COMPRESSION	120-0704	NOZZLE-AI .8GPM, WHITE

PARTS LIST

Part Number	Description
120-0705	NOZZLE-AI 1.0GPM, BLUE
120-0706	NOZZLE-AI 1.5GPM, GREEN
120-0707	NOZZLE-AI TURBO .2GPM, YE
120-0708	NOZZLE-AI TURBO .4GPM, RE
120-0709	NOZZLE-AI TURBO .5GPM, BR
120-0710	NOZZLE-AI TURBO .6GPM, GR
120-0711	NOZZLE-AI TURBO .8GPM,WHI
120-0712	NOZZLE-AI TURBO 1.0 GPM,B
120-0713	NOZZLE-AI TURBO 1.5 GPM,
120-0714	CAP ASM, SINGLE FAN
120-0716	FILTER ASM
120-0781	ROD-CONNECTING
120-1044	GUARD-TURF, 3-TINE (SHORT
120-1045	GUARD-TURF, 4-TINE (SHORT
120-1046	GUARD-TURF, 4-TINE, LONG
120-1047	GUARD-TURF, 5 TINE, SHORT
120-1050	GUARD-TURF, 6 TINE SHORT
120-1051	GUARD-TURF, 3-TINE, LONG
120-1052	GUARD-TURF, 5 TINE, LONG
120-1053	GUARD-TURF, 6 TINE LONG
120-1057	GUARD-TURF, 3-TINE (RH)
120-1058	GUARD-TURF, 3-TINE (LH)
120-1059	GUARD-TURF, 4-TINE (RH)
120-1060	GUARD-TURF, 4-TINE (LH)
120-1061	GUARD-TURF, 5 TINE (RH)
120-1062	GUARD-TURF, 5 TINE (LH)
120-1063	GUARD-TURF, 6 TINE (RH)
120-1640	BEDKNIFE-LOW HOC EXTENDED
120-1641	BEDKNIFE-LOW HOC EXT
120-1642	BEDKNIFE-LOW HOC EXT
120-2072	HYD MOTOR ASM
120-2114	TIRE-SMOOTH
120-2235	FILTER-FUEL
120-2682-01	BEDBAR
120-2742	BRUSH ASM, GROOMER GR800
120-2752	ROD-LIFT, GROOMER
120-2763	BELT-GROOMER
120-2783	TIRE
120-3199	PIN-PIVOT
120-3221	LH REEL NUT ASM
120-3222	RH REEL NUT ASM
120-3230	SHAFT ASM
120-3237	O-RING
120-3351	BELT-3V
120-3366	BEARING
120-3391	KIT-SPINDLE
120-3402	ENGINE-BRIGGS & STRATTON,
120-3403	ENGINE-BRIGGS, 356447-030
120-3404	BLOCK-GUIDE
120-3407	ENGINE-16HP, VANGUARD (SE
120-3408	ENGINE-18HP, VANGUARD (SE
120-3417	TRACTION PEDAL KIT
120-3457	REAR HITCH ASM
120-3461-01	MOUNT-ENGINE
120-3465-03	FRAME-HITCH
120-3476	MUFFLER-DUAL INLET
120-4132-01	CHAMBER-OUTER
120-4174	WHEEL AND TIRE ASM
12-0460	CAPLUG
120-4621	BEARING

Part Number	Description
120-4817	DRY LUBE, GRAPHITE-AEROSO
120-5116	WASHER-WAVE
120-5118	SHAFT-ADJUSTER
120-5120	SPRING-COMPRESSION
120-5142	ROLLER BRUSH ASM
120-5261	CONTROL-THROTTLE
120-5313-03	MOUNT-ENGINE
120-5341	KIT-SERVICE, ACTUATOR
120-5378	BEARING-BALL
120-5404	SHAFT-ROLLER
120-5405	ROLLER-WIEHLE, EXTENDED
120-5575	PIN
120-5576	WASHER-HARDENED
120-5577	BEARING SPACER SET
120-5772	BELT-V
120-5819	ALTERNATOR
120-5824	BELT-FAN
120-6260	RH BRAKE ASM
120-6261	LH BRAKE ASM
120-6272	HYD MOTOR ASM
120-6274	MOUNT-ENGINE
120-7230	HD DPA MVP KIT
120-7639	TIRE
120-8802	HYD CYLINDER ASM
120-8878	RH LIFT ARM ASM
120-8879	LH LIFT ARM ASM
120-8910	TIRE-OFF ROAD
120-8959	HOSE-HYD
120-8987	HOSE-HYD
120-8988	HOSE-HYD
120-9595	REAR FULL ROLLER ASM (STE
120-9600	HIGH HOC KIT
120-9605	REAR ROLLER ASM, 18"
120-9607	NARROW WIEHLE ROLLER ASM,
120-9609	WIDE WIEHLE ROLLER ASM, 1
120-9611	FULL ROLLER ASM, 18" (2.5
120-9613	ROLLER TUBE ASM
120-9619	BLADE-SCRAPER, WIDE (18 I
120-9620-03	BLADE-SCRAPER, FULL (18 I
120-9622	WIDE WIEHLE ROLLER BRUSH
120-9623	FULL ROLLER BRUSH KIT, 18
120-9664	BEARING-BALL
120-9695	NUT-JAM
120-9705	SHAFT-INPUT, REEL
120-9707	SHAFT-DRIVE, REEL
120-9742	CLIP-RETAINING
120-9941	BOLT-BEDBAR
121-0547	PLUG-SPARK
121-0618	SET-ELEMENT
121-0685	FILTER-FUEL
121-1720-01	BRACKET-FORK
121-1733	OVERHAUL SEAL KIT
121-1736	OVERHAUL SEAL KIT
12-1190	PINION-IDLER
121-2241	BLADE
121-2474-03	PANEL-COOLER
121-2520	BRAKE LEVER BRACKET ASM
121-2598-01	SCRAPER
121-2637	DPA ADJUSTERS MVP KIT
121-2646	ROLLER-WIEHLE, PASPALUM

Part Number	Description	Part Number	Description
121-2756	BATTERY-DOOR	125-0765	BELT-SYNCHRONOUS
121-2976	ROD-BRAKE, WIDE (RH)	125-1906	PIN-CYLINDER
121-3165	BEDKNIFE-EDGEMAX	125-1938	LATCH
121-3166	BEDKNIFE-STD	125-1967	BRACKET-BRAKE, PARK
121-3167	BEDKNIFE-LOW CUT	125-1984	SPACER
121-3182-03	WIEHLE ROLLER SCRAPER 18"	125-2169	ENGINE-KUBOTA, V1505T
121-3199	BRUSH-ROLLER (HIGH HOC)	125-2751	BELT-BRUSH
121-3548	RIM	125-2772	LH THREADED INSERT ASM
121-3575	SPACER-HOC	125-2773	RH THREADED INSERT ASM
121-3625	FILTER-PUMP, FUEL	125-2779-01	WEIGHT-END, 5 INCH
121-3627	DECAL-HEIGHT OF CUT	125-2796	BRACKET-FRONT HOC
121-3874	WRENCH ASM	125-2902	FILTER-FUEL
121-3882	SHAFT-PIVOT, LIFT ARM	125-2909	TREAD-FLOORBOARD
121-3891	FILTER-AIR, CAB INTERIOR	125-2914	SEPARATOR FILTER ASM
121-3892	FILTER-AIR, CAB EXTERIOR	125-2915	FILTER-FUEL/WATER SEPARAT
121-4570	FILTER-FUEL	125-3319	TINE-NEEDLE, 5MM X 5.43
121-4600	NUT-HEX	125-3333	BEARING-BALL
121-4605	WASHER-SPRING	125-3511	GREASE-SYNTHETIC
121-4613	ARM-HOC, LH	125-3520	BEARING-BALL
121-4617	ROD-LIFT	125-3526-03	SCRAPER-FULL
121-4618	ARM-HOC, RH	125-3527-03	SCRAPER-NARROW
121-4635	WIEHLE ROLLER ASM, EXT	125-3528-03	SCRAPER-WIDE
121-4641	ROLLER-FULL, EXT	125-3537	EXTENDED REAR ROLLER KIT
121-4680	FULL ROLLER ASM, EXT	125-3540	SHAFT-HEX
121-4681	NARROW WIEHLE ROLLER ASM,	125-3541	SHAFT-HEX
121-4682	REAR ROLLER ASM, STEEL	125-4300	SEAL KIT
121-5252	BELT-V	125-4301	SEAL KIT
121-5253	BELT-V	125-4302	SEAL KIT
121-5254	BELT-V	125-5142-03	BLADE-PUSH, REAR
121-5347-03	BLADE-25.18 INCH, ANGLED	125-5178	BUSHING
121-5397	SEAL KIT	125-5196	BUSHING
121-5631	HUB ASM	125-5222	BUSHING-ECCENTRIC, MACHIN
121-6288	STARTER ASM F/W	125-5244	MOUNT-ENGINE
121-6357	REEL	125-5279	BEARING-ROLLER
121-6392	PREMIUM ENGINE OIL 10W30	125-5609	PLUG-PLASTIC
121-6393	PREMIUM ENGINE OIL 10W30	125-5610	PAPER-REEL, TORO (10 PACK
121-6394	PREMIUM ENGINE OIL 15W40	125-5611	SHIM-REEL, TORO (0.002 IN
121-6395	PREMIUM ENGINE OIL 15W40	125-5623	PAPER-TORO REEL BOOKLET
121-6674	BLADE-ELEVEN TOOTH DETHAT	125-6044	BELT-V,
121-6675	DETHATCHER BLADE KIT, SPR	125-6045	BELT-V, IMPELLER
121-6903-03	REAR ROLLER ASM	125-6406	TIRE
121-7856	STEERING VALVE ASM	125-6465	TIRE
121-7924	TIRE ASM 22-12X12, TREADE	125-7003	STARTER
121-9070	VALVE ASM	125-7025	FILTER-ENGINE
121-9072	TIRE-TURF TREAD	125-7249	BEARING, BALL
121-9076	MOUNT-ENGINE	125-7251	BEARING-BALL
121-9077	ASSEMBLY-WHEEL/TIRE	125-7252	BEARING-BALL
121-9081-01	COVER-REAR	125-7253	BEARING-BALL
121-9517	KIT-MVP, GROOMER RE-BUILD	125-8752	FILTER-FUEL/OIL
121-9518	KIT-MVP, BLADES-GROOMER,	125-9139	SPARK PLUG
121-9519	KIT-SERVICE, GEAR PUMP	125-9176	SEAL KIT
121-9531	BLADE-GROOMER, THIN CARBI	125-9249	SPACER-COUPLER, RUBBER
121-9535	WIEHLE ROLLER ASM, PASPAL	125-9444-03	BLADE-COMBINATION, 25.18
121-9612	BELT	126-2928	KIT, ANTI-SCALP ROLLER AX
121-9774	ABSORBER-SHOCK	127-0259	BELT-BRUSH (22"FWY)
121-9924	BELT-DRIVE	127-0381	INNER FILTER KIT
122-0371	LIGHT-WORK, LED	127-2066	REEL-5IN FWY, (22) 11 BLD
12-3270	SCREW	127-2070	REEL-5 IN FWY, (22) 5 BLD
125-0552	ROLLER BRUSH ASM	127-2077	REEL-7 IN FWY, (22) 5 BLD
125-0554	BRUSH-ROLLER	127-2093	REEL-FAIRWAY, 27 INCH 5 B

PARTS LIST

Part Number	Description
127-2094	REEL-FAIRWAY, 8 BLADE (27
127-2095	REEL-FAIRWAY, 27 INCH 11
127-2104	REEL-FAIRWAY, 32IN 5 BLAD
127-2105	REEL-FAIRWAY, 32IN 8 BLAD
127-2156	REEL-FLEX (18), 11 BLD
127-2157	REEL-FLEX (18), 14 BLD
127-2160	11 BLADE REEL ASM
127-2161	14 BLADE REEL ASM
127-2164	18 INCH 11 BLADE LOW DRAG
127-2165	18 INCH 14 BLADE LOW DRAG
127-2174	REEL-FLEX (21), 8 BLD
127-2175	REEL-FLEX (21), 8 BLD
127-2176	REEL-FLEX (21), 11 BLD
127-2177	REEL-FLEX (21), 14 BLD
127-2181	REEL-GR (21), 8 BLD
127-2183	REEL-GR (21), 14 BLD
127-2188	REEL-SPA 4BOLT, 8 BLD
127-2189	REEL-SPA 4BOLT, 11 BLD
127-2193	REEL-DPA (21), 8 BLD
127-2194	REEL-DPA (21), 11 BLD
127-2195	REEL-DPA (21), 14 BLD
127-2206	8-BLADE REEL ASM
127-2207	11-BLADE REEL ASM
127-2612	GUARD-PIPE, TAIL
127-2665-03	FRAME-SUPPORT, RADIATOR
127-2741	SHIELD-WHEEL, FRONT
127-2742	SHIELD-WHEEL, REAR
127-2796	TIRE
127-2958	BEARING-BALL
127-2983	BEARING-BALL
127-2998	V-BELT
127-3075	FUEL/OIL FILTER ASM
127-3694	HYD MOTOR ASM
127-3721	RH CASTOR ARM ASM KIT
127-3731	LH CASTOR ARM ASM KIT
127-3741	CASTOR ARM ASM KIT
127-3818	STARTER ASM
127-4284	WASHER-SPECIAL
127-5839	LONG STEERING ROLLER COMP
127-5897	BEARING, BALL 25MM
127-6124	BLADE-GROOMER, HELIX (.01
127-6389	DECK CHAMBER SERVICE ASM
127-6422	SCREW-GREASE, ROLLER
127-6427	LIFT CYLINDER ASM
127-6428	LIFT CYLINDER ASM
127-7435	TIRE
127-8001	SHORT STEERING ROLLER COM
127-9656	ENGINE-KUBOTA, D902
12-8140	KEY SWITCH
12-9390	TIRE (16X4-12) 4 PLY SEMI
12-9460	DISC HALF
130-0071	REEL-8IN FWY, (30) 7 BLD
130-0075	REEL-8IN FWY, (30) 5 BLD
130-0081	REEL-7IN FWY, (30) 11 BLD
130-0088	REEL-5IN FWY, (21) 5 BLD
130-0093	REEL-5IN FWY, (21) 8 BLD
130-0099	REEL-7IN FWY, (22) 7 BLD
130-0105	KIT-BEARING AND SEAL REBU
130-0120	REEL -LD (21), 8 BLD HD
130-1241	V BELT

Part Number	Description
130-1673	CABLE-THROTTLE
130-1899	AIR FILTER ASM
130-2660	MVP KIT-BLADE PACK, STD (
130-4105	BLADE-GROOMER
130-4119	REEL-7IN FWY, (27) 5 BLD
130-4123	REEL-7IN FWY, (27) 8 BLD
130-4127	REEL-7IN FWY, (27) 11 BLD
130-4132	REEL-7IN FWY, (32) 5 BLD
130-4136	REEL-7IN FWY, (32) 8 BLD
130-4139	REEL-8IN FWY, (30) 7 BLD
130-4141	REEL-8IN FWY, (30) 11 BLD
130-4745	BEDKNIFE-EDGEMAX, LOWCUT
130-6469	REEL-SPA 4BOLT, 8 BLD
130-6470	REEL-SPA 4BOLT, 11 BLD
130-6472	ENGINE-BRIGGS AND STRATTO
130-7096	FILTER ASM
130-7832	ARM ASM
130-7873	GUIDE-HOSE
130-7879-01	FRAME-ADAPTER
130-7943	VALVE-STEERING,CONTROL
130-7944	VALVE-CONTROL, STEERING
130-8357	SEAL KIT
130-8380	SPARK PLUG
130-8860	FILTER-OIL, ENGINE
130-9151-03	BLADE-20 IN
130-9410	COUPLING-FLEX, 2 BEAM
131-0504	SHAFT-VERTICUTTER, 5 INCH
131-0768	DRIVING SPINDLE ASM
131-2013	REEL-DPA (21), 5 BLD HD
131-2014	REEL-DPA (21), 8 BLD HD
131-2786	HYD CYLINDER ASM
131-3185	CABLE-THROTTLE
131-3201	REEL-FAIRWAY, 18 INCH 8 B
131-3202	REEL-FAIRWAY, 18 INCH 11
131-3203	22 INCH 8 BLADE FAIRWAY R
131-3204	REEL-FAIRWAY, 22 INCH (11
131-3364	STD BLADE KIT
131-3751	KIT - MVP, MULTI PRO
131-3828	EAR MUFF - HEARING PROTEC
131-4293	PIN PIVOT
131-4399	LEVER, PUMP
131-4876	HEAD BEARING KIT
131-4889	INSERT-SLEEVE, 7/8 INCH
131-5528	BEARING-ROLLER
131-6262	MVP KIT-INITIAL 800 HOUR,
131-6557	ALTERNATOR ASM
131-6561	STARTER ASM
131-6572	TORO PREMIUM FUEL TREATME
131-6581	PAINT-AEROSOL,TORO RED-IN
131-6667	TIRE
131-6670	TIRE
131-6673	TIRE-REAR
131-6690	SEAT COVER, SMALL
131-6691	SEAT COVER, LARGE
131-6805	ES REEL-7IN FWY (22), 8 B
131-6828	INDICATOR-ANGLE
131-6829	MOUNT-INDICATOR, ANGLE
131-7800	ROLLER ASM (UHMW)
131-8276	MVP KIT 400 FILTER KIT WO
131-8318	TIRE

Part Number	Description
131-8319	TIRE/WHEEL ASM
131-8444	STARTER/GENERATOR ASM
131-8785	MVP KIT-800 HOUR, GR3150
131-8795	KIT-CLUTCH SHAFT SERVICE
132-1319	BLADE-ROTARY, 19.00 HIGH
132-1325	BLADE SERVICE PACK
132-1390-03	BLADE-ATOMIC 20.00 IN
132-1391	BLADE SERVICE PACK, ATOMI
132-1392	BLADE SERVICE PACK, 20.00
132-1440	BLADE-BELT KIT
132-3831	LOCK ASM
132-3841	SHAFT-DRUM EXTENSION, RH
132-3842	SHAFT-DRUM EXTENSION, LH
132-4350	PUMP-PISTON, VARIABLE
132-4351	PUMP-PISTON, VARIABLE
132-4389	HANGER
132-4393	PLATE-TROWEL, RH
132-4394	PLATE-TROWEL, LH
132-4395	PLATE-TROWEL, CENTER
132-5206	ENGINE-KUBOTA, V1505 (SER
13-2650	BELT-V
132-6959	BALLJOINT
132-6979	BEARING-ROLLER W/COLLAR
132-6994	HOUSING-BELL
132-7112	ES REEL-5IN FWY (22) 11 B
132-7312	ES 8 BLD REEL ASM
132-7313	ES 11 BLADE REEL ASM
132-7314	ES 14 BLADE REEL ASM
132-7353	ES 11 BLD REEL ASM
132-7354	ES 14 BLD REEL ASM
132-7357	ES 11 BLD REEL-ASM
132-7358	ES 14 BLD REEL-ASM
132-7361	ES 8 BLADE REEL ASM
132-7362	ES 11BLADE REEL ASM
13-2840	KEY-SQUARE
132-8621	BATTERY CORROSIVE
132-9421	PULLEY-IDLER, FLAT
132-9598	MAT-ROLLER
133-0109	ES REEL-5IN FWY (18) 8 BL
133-0140	REEL- 8IN FWY, (30) 5 BLD
133-0150	UNIVERSAL GROOMER ASM RM
133-0151	UNIVERSAL GROOMER ASM RM
133-0152	RM3550 18" RRB (FOR UNIVS
133-0153	RM5010/RM3555 5" 22" RRB(
133-0154	RM5010/RM3575 7IN 22IN RR
133-0155	RM3550 18" RRB (ONLY) MVP
133-0157	RM5010/3555 5" X 22" RRB
133-0158	RM5010/3575 7IN X 22IN RR
133-0182	ES REEL-FWY, (27) 5 BLD (
133-0184	ES REEL-FWY, (27) 8 BLD (
133-0195	ES REEL-FWY, (32) 8 BLD (
133-0577	SEAT ASM
13-3090	SPRING-FINGER
133-2331	KIT, HYDRAULIC TANK
133-2337	ROLLER ASM
133-2378	BEARING
133-2929	CONTROL-THROTTLE
133-2934	HYDRAULIC MOTOR ASM
133-2935	HYDRAULIC MOTOR ASM
133-2940	TIRE

Part Number	Description
133-2950	KIT-WHEEL MOTOR
13-3629	OVER HAUL KIT
13-3649	O/H KIT RM216 5/8/11 CU
13-3659	O/H KIT GR3000 5/8/11CU
13-3679	OVERHAUL KIT-450D C/U
13-3710	WASHER
133-8201	ES REEL-5IN FWY (22) 8 BL
133-8205	ES REEL-7IN FWY (22) 5BLD
133-8209	ES REEL-7IN FWY (22) 5 BL
133-8211	ES REEL-7IN FWY (22) 8 BL
133-8269	ES REEL-FWY,(27) 8 (RR) B
133-8271	ES REEL-FWY, (27) 11 (RR)
133-8273	ES REEL-FWY, (32) 8 (RR)
133-8278	ES REEL-FWY, (27) 11 BLD
133-8895-03	SCRAPER-ROLLER, NARROW
133-8898	MVP KIT-SEAL, CLUTCH
13-4960	SHAFT-PLATE, FINGER
136-1010	SEAL OVERHAUL KIT
136-1100	SPARK PLUG
136-2881	KIT-BALLAST (27IN. C/U)
136-2908	ROLLER ASM
136-2915	KIT-BALLAST(22IN C/U)
136-2921	PLATE ASM-H.O.C.
136-4370-03	BLADE-ROTARY, MEDIUM SAIL
136-4440	TIRE-HIGH TRACTION
136-4442	TIRE-HIGH TRACTION
136-5375	TIRE (23X10.50-12)
136-6280	MVP KIT 400 WORKMAN GTX
136-6296	BELT-VARIABLE
136-7287	SHAFT-HEX, RH
136-7963	TIRE ASM
136-7964	WHEEL
136-8005	LIFT ARM #5
136-8446	KIT, CENTER PULL FRAME
136-8452	HOSE-HYD (CASE NO.2)
136-8483	FRAME-PULL, RH
136-8484	FRAME-PULL, LH
136-8485	FRAME-PULL, CENTER
136-8519	KIT-TRIFLEX HYDRAULIC HOS
136-8577	PULL FRAME ASM
137-0830	BEDKNIFE-EDGEMAX LOWCUT 1
137-0831	BEDKNIFE-EDGEMAX
137-0832	BEDKNIFE-EDGEMAX LOWCUT
137-0833	BEDKNIFE-EDGEMAX (FAIRWAY
137-1311	SEAT COVER - MESH SMALL
137-1312	SEAT COVER - MESH LARGE G
137-3387	DECAL-DASH
137-3388	CONTROL PANEL ASM
137-5215	JUMP DRIVE - SERVICE AND
137-5500	BLADE PACK, CE MED SAIL (
137-5512	STARTER
13-7749	HOUSING AND BEARING ASM
13-7759	HOUSING AND BEARING ASM
13-7769	LH HOUSING AND BEARING AS
137-8407	ES REEL+,5IN FWY(18)11 BL
137-8416	REEL+,5IN FWY(22)8 BLD
137-8423	ES REEL+,5IN FWY(22)11 BL
137-8426	ES REEL+,5IN FWY(22)8 BLD
137-8432	REEL+,7IN FWY(22)8 BLD
137-8433	REEL+,7IN FWY(22)11 BLD

PARTS LIST

Part Number	Description
137-8438	ES REEL+,7IN FWY(22)8 BLD
137-8439	ES REEL+,7IN FWY(22)11 BL
137-8446	ES REEL+,7IN FWY(22)8 BLD
137-8447	ES REEL+,7IN FWY(22)11 BL
137-8451	REEL+,7IN FWY(22)5 BLD(SP
137-8453	REEL+,7IN FWY(22)11 BLD(S
137-8482	ES REEL+,FWY(32)5 BLD LD(
137-8511	ES REEL+,LOW DRAG (21), 8
137-8512	ES REEL+,LOW DRAG (21), 1
137-8513	ES REEL+, LD (21), 14 BLD
137-8523	ES REEL+,LOW DRAG (18), 1
138-1227	DECK CHAMBER ASM
138-4975	HOSE ASM-HYD HP
14-0829	REEL FRAME ASM
14-4459	HOUSING-BEDBAR
14-4479	REAR HOC BRACKET AND BUSH
14-4489	FRONT HOC BRACKET ASM
1-513374	METER-HOUR
1-523420	BUMPER
1-603299	ROLLER-SCALP, ANTI
1-603903	SPACER
16-1019	CHANNEL
16-9759	LINK ASM
16-9769	BEDBAR ADJUSTER HOUSING A
17-1580	SPACER (0.5 INCH)
17-1590	BLADE-11 TOOTH
17-1600	SPACER (0.25 INCH)
17-1620	BUSHING-WHEEL
17-1630	WHEEL
17-1640	LH SCRAPER WHL
17-1650	RH SCRAPER WHEEL
17-2490	SPROCKET
17-2520	STUD-TYPE, DRIVE
17-8149	WHEEL HUB ASM
17-9420	SCREW-HANDLE
17-9426	SCREW-HANDLE
1-806003	PIN-COTTER
18-6320	WASHER-STEERING
18-6340	STEERING SHAFT-LOWER
18-6370	CHAIN
18-6380	PIN-ADJUSTMENT, STEERING
18-7160	PIN-CYLINDER
18-7310	PIN-CYLINDER
18-7530	BALL JOINT ASSY CENTE
18-7660-01	SWIVEL BRKT ASM
19-1470	SCREW-SHOULDER
19-1471	SCREW-SHOULDER
19-2090	CHOKE CONTROL
19-9540	LH SPRING
19-9550	RH SPRING
19-9560	SPRING SPACER
19-9820	BED BAR PIVOT
20-0480	PIVOT ROD
20-4290	MAT-DRAG
20-4670	DRAG LINK
20-7380-01	BLADE-SPIKE, PROFILED
20-9500	WASHER
21-0890	V-BELT
21-1030	SPANNER BUSHING
2112-11	CLAMP-MUFFLER

Part Number	Description
2112-9	CLAMP
21-1880	GRIP-HANDLE
21-3850	ROLLER BRG W/46-8960
21-3860	WHEEL
21-3870	AXLE ASM
215-75	HOLD DOWN SPRING
21-6410	BEARING-ROLLER, FRONT
217-104	3/4-16 TAPER NUT
217-117	WHEEL
217-60	RIM
217-74	BOLT-WHEEL
21-8180	BEARING ASM
21-8450	REAR ROLLER ASM
21-8470	SHAFT-ROLLER
21-8500-01	PULL ARM ASM RH
218-578	FUSE-BLADE, 10 AMP
218-594	FUSE-20 AMP
21-8640	LATCH-LEVER, VALVE
21-9370	SCREW-ADJUSTING
21-9380	NUT-PIVOT
21-9390	SOCKET-SCREW, ADJUSTING
21-9420	SPRING-RETURN, LH
21-9430	SPRING-RETURN, RH
21-9440	SPRING-SCREW, ADJUSTING
21-9450	SHIELD-DUST
21-9460	RETAINER-LEVER, BRAKE
2210-118	GASKET W/ENGINE
2-2149	LH ROLLER BRKT & BSHG
22-8720	SEAL KIT
23-0660	SWITCH-STARTER
231-101	TIRE (23X8.5-12) 4-PLY TU
231-103	TIRE(20X8-10) 4-PLY
231-105	TIRE-RIBBED
231-122	TIRE-4-PLY
231-126	TIRE (13X5-6) 4-PLY RIBBE
231-134	TIRE (26X12-12) 4-PLY
231-138	TIRE (23X8.5-12) 6-PLY
231-3	TIRE(16X4.8-8)2-PLY PNEUM
231-95	TIRE(23X10.5X12) 4-PLY WI
232-24	STEM-VALVE
23-2270	BUSHING-RUBBER
232-3	TUBE-INNER
23-2300	FILTER-OIL, TRANSMISSION
232-37	TUBE
23-2410-03	BLADE-HIGH SAIL, 25 INCH,
23-2790-01	BLADE-SCRAPER
233-21	KNOB
233-25	KNOB-CONTROL
233-42	KNOB
233-48	KNOB
233-70	KNOB-STAR, THREE
23-4800	THROTTLE CONTROL
237-101	O-RING
237-146	O-RING
237-148	QUAD SEAL RING
237-156	O-RING
237-158	O-RING
237-161	O-RING
237-177	O-RING
237-21	O-RING

Part Number	Description	Part Number	Description
237-22	O-RING	24-9180	STRUT AND LEVER ASM
237-30	O-RING	249-40	KEEPER
237-38	O-RING	251-181	.500 RF BALL BEARING
237-42	O-RING	251-206	1.000 RLL BALL BEARNG
237-54	O-RING	251-247	HOUSED BRG
237-58	O-RING	251-252	BEARING
237-65	O-RING	251-253	BEARING
237-68	O-RING	251-257	BEARING-BALL
237-77	O RING	251-259	BEARING-BALL
237-78	O-RING	251-293	BEARING
237-79	O-RING	251-311	BEARING-BALL
237-80	O-RING	251-312	BALL BEARING
237-81	O-RING	251-318	BEARING-BALL
237-84	GROMMET	251-321	BEARING-BALL, FLANGED
237-95	O-RING	251-327	BEARING-BALL
237-97	O-RING	251-328	BEARING-BALL
237-99	O-RING	251-331	BEARING
23-9740	FILTER-OIL, HYDRAULIC	251-336	BEARING-BALL
240-11	BUSHING-FLANGE	251-337	BEARING
240-12	GROMMET	251-338	BEARING-BALL
240-3	GROMMET-RUBBER	251-342	BEARING-BALL
240-4	GROMMET-RUBBER	251-346	BEARING-BALL
240-5	GROMMET	251-347	BEARING-BALL
240-7	GROMMET-RUBBER	251-352	BEARING
240-9	GROMMET	251-6	BEARING-BALL
2410-30	CAP-PLASTIC	251-77	COLLAR-LOCK, BEARING
2410-64	PLUG-BUTTON	251-8	BEARING-BALL
241-119	CAP-DUST	251-82	BEARING-BALL
2411-33	BALLJOINT-RH (W/GROMMET)	252-6	BEARING-NEEDLE
2411-36	BEARING-END, ROD	252-66	BEARING-THRUST
2411-38	JOINT-BALL	253-111	SEAL-OIL
2411-40	END-ROD	253-117	SEAL-OIL
2411-41	ROD END-BALL JOINT	253-118	SEAL-OIL
2411-42	JOINT-BALL, LH	253-120	SEAL-OIL
2411-43	JOINT-BALL	253-122	SEAL-OIL
2411-44	END-ROD	253-129	SEAL
2411-46-03	LH TIE ROD ASM	253-133	SEAL-OIL
2412-10	CLAMP-R	253-134	SEAL-GREASE
2412-108	CLAMP-WORM	253-137	OIL SEAL
2412-111	CLAMP	253-138	SEAL-OIL
2412-125	CLAMP-HOSE	253-139	SEAL-OIL
2412-129	CLAMP-HOSE	253-141	SEAL
2412-130	CLAMP-HOSE	253-152	SEAL-OIL
2412-134	CLAMP-R	253-154	SEAL-OIL
2412-137	CLAMP-R, DOUBLE	253-159	SEAL
2412-143	CLAMP-HOSE	253-163	SEAL
2412-146	CLAMP-HOSE	253-165	SEAL-OIL
2412-3	CLAMP-HOSE	253-61	SEAL-OIL
2412-34	CLAMP-HOSE	253-70	SEAL-OIL
2412-36	CLAMP-HOSE	253-83	SEAL-OIL
2412-37	MUFFLER CLAMP	253-84	SEAL-OIL
2412-4	CLAMP-R	253-96	SEAL-OIL
2412-41	CLAMP-R	254-106	CONE-BEARING, TAPERED
2412-73	CLAMP-R	254-107	CUP-BEARING, TAPERED
2412-89	CLAMP-R	254-62	BEARING-ROLLER, CONE
2412-92	CLAMP-HOSE	254-65	BEARING-ROLLER, CONE
2412-94	CLAMP	254-66	CUP-BEARING, ROLLER
2412-98	CLAMP-HOSE	254-67	CUP-BEARING, ROLLER
242-50	NUT-LUG	254-68	CONE-BEARING, ROLLER
24-8840	RING-RETAINING, WHEEL BEA	254-72	BEARING-CUP, TAPERED

PARTS LIST

Part Number	Description
254-78	BEARING-CONE
254-79	BEARING-ROLLER, CUP
254-86	LOCKNUT
254-87	WASHER-LOCK
254-90	BEARING-CUP
254-91	CONE-BEARING
254-92	CONE-BEARING, OUTER
254-94	BEARING-CONE, TAPERED
256-1	BUSHING
256-113	BUSHING-FLANGE
256-115	WASHER-THRUST
256-150	1-1/8IDX1LG FLG BSHG
256-155	BUSHING-FLANGE
256-156	BUSHING-FLANGE
256-172	BUSHING
256-185	BUSHING
256-2	BUSHING
256-219	BUSHING
256-234	1.0ID X 1.0LG BUSHING
256-236	BEARING-MOUNT, FLANGE
256-239	BEARING-PILLOW BLOCK
256-243	BEARING-FLANGE
256-251	BUSHING
256-252	BEARING-FLANGE
256-254	BUSHING
256-257	BUSHING-NYLINER
256-287	BUSHING
256-292	BUSHING-FLANGE, NI
256-304	WASHER-THRUST
256-311	BUSHING-SPLIT
256-317	BUSHING
256-42	BUSHING
256-76	BUSHING
257-11	WASHER-THRUST
257-5	WASHER-THRUST
257-6	BEARING-THRUST
26-1530-01	FORK-CASTOR
26-1580	SPACER 1/2 IN
26-1820	CAPSCREW
26-1840	PULLEY-IDLER
26-1990	WASHER-BELLEVILLE
26-3790	NUT-LOCK
26-6740	TEMP RESET RELAY
26-8250-01	PIN-ARM, LIFT
26-8310-01	BAIL-LIFT
27-0870	SPINDLE ASM
27-0920	SHAFT
27-0950	SPACER
27-0960	BEARING ASM
27-0970-03	PULLEY ASM
27-0990-03	BLADE-18 INCH
2710-11	LINK-CHAIN
2710-20	LINK-OFFSET
2710-31	LINK-CONNECTING, NO. 35
27-1040	SPACER
27-1050	CASTOR WHEEL
27-1160	V-BELT
27-1170	THRUST WASHER
27-1180	BEARING RETAINER
27-1190	WHEEL

Part Number	Description
27-1200	SPANNER BUSHING
27-1210	ROLLER BEARING
27-1970	HUB-PUMP
27-2060	REAR UNIT RETURN HOSE
27-2150	ENGINE MOUNTING PAD
27-2270	ROD-ADJUSTMENT, BRAKE
27-2320	BEARING
27-2360	SWITCH
27-2380	SPACER
27-2650	HOC ADJUSTMENT ASM
27-3070	ENGINE WIRE GRD ASM
27-5170	SEAT
27-5970	SPACER-SET, MATCHED
27-6602	SPACER-COUPLING, RUBBER
27-7180	CAP
27-9080	BEARING-FLANGE
28-0670	SEAL-GREASE
281-3	PLUG-PIPE, SQH
28-1590	THROTTLE CONTROL
28-1600	CHOKE CONTROL
282-2	YOKE
283-1	PIN-CLEVIS
283-10	PIN-CLEVIS
283-14	PIN-CLEVIS
283-55	PIN-CLEVIS
283-57	PIN-CLEVIS
283-61	PIN-YOKE
283-62	PIN-CLEVIS
28-3680	TIRE
283-71	PIN-LYNCH
283-73	PIN-CLEVIS
283-8	PIN-CLEVIS
283-82	PIN-CLEVIS
283-83	PIN-CLEVIS
283-88	PIN-CLEVIS
28-4210	SOLENOID
285-17	PLUG-PIPE
28-8720-01	LONG LIFT BAIL ASM
29-4820	ROLLER
29-5530-03	BLADE-STANDARD, 25 INCH,
29-6162	SWITCH-MICRO
29-6163	SWITCH-MICRO
29-8870	WASHER
29-8910	WASHER
29-9100	BRUSH AND HANDLE ASM
30001	MVP KIT-GM228
30002	MVP KIT-GM225
30004	MVP KIT-MD WORKMAN
30005	MVP KIT-MID DUTY WORKMAN
30006	MVP KIT-WORKMAN
30008	MVP KIT-HYDROJECT
30010	MVP KIT-GM3000
30012	MVP KIT-RM4000
30014	MVP KIT-RM6500/6700
30015	MVP KIT-RM52/54/5500
30016	MVP KIT-RM3100
30017	MVP KIT-HD WORKMAN
30018	MVP KIT-GR3250
30021	MVP KIT-GM345
30022	MVP KIT-GM328D

Part Number	Description	Part Number	Description
30023	MVP KIT-GM325	304-46	DRAINCOCK
30024	MVP KIT-GM580-D	304-61	CLAMP-R
30027	MVP KIT-GM3500	31-0750	ROLLER-FRONT
30028	MVP KIT-GM455	31196	800 HOUR MVP MAINTENANCE
30029	MVP KIT-GM4000/4100	3-1506	BUSHING
30030	MVP KIT-GM223	31609	GM5900 T4FINAL FLUID FILT
30034	MVP KIT-GM3280	3210-2	SCREW-HH
30035	MVP KIT-SANDPRO	32103-12	NUT-WING
30036	MVP KIT-LINE PAINTER	32103-22	NUT-WING
30037	MVP KIT-GM7200/7210	3210-4	SCREW-HH
30038	MVP KIT-RM5500	32104-116	SCREW-HWHTF
30039	MVP KIT-RM5210/5410/5510	32104-17	SCREW-HWH
30040	MVP KIT-RM5610	32104-32	SCREW-HWH
30041	MVP KIT-GM5900/5910	32104-76	SCREW-HWHTF
30042	400 HOUR MAINTENANCE KIT	32104-95	SCREW-HWH
30043	400 HOUR MAINTENANCE KIT:	32105-13	SCREW-HWH
30051	MVP FILTER KIT-GM3280D (2	32105-2	SCREW-SHWH
30052	MVP FILTER KIT-GM72000D (32105-21	SCREW-HH
30053	MVP FILTER KIT-RM3100D (2	32108-101	SCREW-FH
30054	MVP FILTER KIT-RM5XXX (20	32108-20	SCREW
30055	MVP FILTER KIT-RM5610D (2	32108-9	SCREW-FH
30056	MVP FILTER KIT-GM4000D (2	321-10	SCREW-HH
30057	MVP FILTER KIT-RM6XXXX (2	321-11	SCREW-HH
30058	MVP FILTER KIT-GM35XXD (2	3211-2	SCREW-HH
30059	MVP FILTER KIT-GM328D (20	3211-4	SCREW-HH
30061	MVP FILTER KIT-RM4000D (2	3211-40	SCREW-HH
30062	MVP FILTER KIT-GR3250D (2	321-15	SCREW-HH
30063	MVP FILTER KIT-GM580D (20	3211-6	SCREW-HH
30064	MVP FILTER KIT-GR3150	321-18	SCREW-HH
30065	MVP KIT-FILTER/SPARK PLUG	32120-15	RING-SNAP, EXT
30068	MVP KIT-400 HOUR,HDX-D 12	32120-18	E-RING
30073	MVP KIT400 HOUR,WMHDX 12	32120-19	E-RING
30086	500 HOUR MAINTENANCE KIT	32120-22	RING-SNAP, INTERNAL
30089	MVP KIT-GM4XXX, 800 HR YA	32120-37	RING-RETAINING
30090	400 HOUR MVP FILTER KIT-R	32120-47	RING-RETAINING, EXTERNAL
30091	800 HOUR MVP KIT-RM5410G/	32120-62	RING-RETAINING
30093	800 HOUR MVP KIT-RM5410D/	32120-72	RING-SNAP
30097	MVP KIT-FILTER/SPARK PLUG	32120-84	RING-SNAP, EXTERNAL
3-0144	SHAFT	32120-93	RING-RETAINING
302-11	FITTING-LUBE, 45 DEG	32121-11	PIN-ROLL
302-14	VENT	32121-110	PIN-ROLL, SLOTTED
302-18	FITTING-GREASE	32121-111	PIN-ROLL
302-2	FITTING-GREASE	32121-112	SPIROL PIN 1/4" X 1.25"
302-33	FITTING-GREASE	32121-12	PIN-ROLL
302-34	FITTING-LUBE	32121-122	PIN-ROLL
302-39	FITTING-PLUG	32121-123	PIN-ROLL
302-40	FITTING-GREASE, 90 DEG	32121-15	PIN-ROLL
30245	MVP KIT - GM3500 (KUBOTA	32121-16	PIN-SPRING
30246	MVP KIT-GM3500-G (KUBOTA	32121-2	PIN-ROLL, SLOTTED
30247	MVP FILTER KIT - RM5010-H	32121-24	PIN-SPRING
30248	MVP KIT 400HR WORKMAN HDX	32121-3	PIN-SPRING
30249	MVP KIT 400HR WORKMAN HDX	32121-32	PIN-ROLL
302-5	FITTING-GREASE	32121-34	PIN-ROLL
302-57	FITTING-GREASE	32121-35	PIN-ROLL
302-60	FITTING-GREASE	32121-36	PIN-SPRING
30261	400 HOUR MVP KIT, GM360 7	32121-44	PIN-ROLL
30262	GM3280 MVP KIT (MY16 AND	32121-45	PIN-SPRING
302-62	FITTING-GREASE	32121-50	PIN-SPRING
3-0312	GASKET	32121-51	PIN-ROLL
30408	MVP KIT-GM4XXX, 800 HR YA	32121-6	PIN-ROLL, SLOTTED

PARTS LIST

Part Number	Description
32121-67	PIN-SPRING
32121-69	PIN-SPRING
32121-73	PIN-ROLL
321-23	SCREW-HH
32128-12	NUT-LOCK, FLANGE
32128-15	NUT-LOCK, FLANGE
32128-16	NUT-HHF
32128-19	NUT-HF
32128-20	NUT-HF
32128-21	NUT-HF
32128-23	NUT-HF
32128-25	NUT-HF
32128-32	NUT-HHF
32128-33	NUT-HF
32128-36	NUT-HF
32128-37	NUT-HF
32128-43	NUT-FLANGE
32128-48	NUT-LOCK, HHF
32128-49	NUT-HHF
32128-54	NUT-HF
321-3	SCREW-HH
3213-1	SCREW-HH
3213-2	SCREW-HH
3213-20	SCREW-HH
32136-2	NUT-SHH
32136-9	NUT-HEX, SLOTTED
3213-8	SCREW-HH
321-4	SCREW-HH
32140-94	SCREW-HH, SEMS
32141-111	NUT-ADJUSTING
32141-36	SCREW-ADJUSTMENT, LEVEL
32144-1	SCREW-TAPTITE
32144-10	SCREW-HWH
32144-14	SCREW-HWHTF
32144-18	SCREW-HWH
32144-4	SCREW-HWH
32144-44	SCREW-HWH, THREAD ROLL
32144-57	SCREW
32146-13	NUT-HEX
32146-20	NUT-HEX
32148-5	NUT-INSERT
32149-2	NUT-KEPS
321-5	SCREW-HH
32151-104	RING-RETAINING, EXTERNAL
32151-12	RING-RETAINING
32151-36	RING-RETAINING
32151-47	RING-RETAINING
32151-60	RING-SNAP
32151-61	RING-RETAINING
32151-62	RING-RETAINING
32151-71	RING-RETAINING, INTERNAL
32151-77	RING-RETAINING, EXTERNAL
32151-92	RING-RETAINING
32152-1	NUT-LOCK, CONE
32152-4	NUT-LOCK, CONE
32153-5	NUT-HEX
32153-6	NUT-LOCK
321-6	SCREW-HH
3216-16	SCREW-HH
3217-5	NUT-HEX

Part Number	Description
3217-6	NUT-HEX
3217-7	NUT-HEX
3217-8	NUT-HEX
3217-9	NUT-HH
32180-030	CLIP-TIE
3218-1	NUT-JAM
3218-13	NUT-JAM, BRASS
3218-18	NUT-JAM
3218-2	NUT-JAM
3218-3	NUT-JAM
3218-5	NUT-JAM
3218-7	NUT-JAM
3219-1	NUT-HEX
3219-10	NUT-HEX
3219-14	NUT-HEX
3219-2	NUT-HEX
3219-3	NUT-HEX
3219-5	NUT-HEX
3-2198	HOOK
3220-1	NUT-JAM
3220-12	NUT-HEX JAM LH
3220-18	1-1/8-12 JAM NUT
3220-2	NUT-JAM
3220-20	NUT-JAM
3220-25	NUT-JAM
3220-26	NUT-JAM
3220-3	NUT-HJ
3220-5	NUT-JAM
3220-6	NUT-JAM
3220-7	NUT-JAM
322-1	SCREW-HH
322-10	SCREW-HH
322-11	SCREW-HH
322-12	SCREW-HH
322-14	SCREW-HH
322-16	SCREW-HH
322-17	SCREW-HH
322-2	SCREW-HH
322-20	SCREW-HH
322-23	SCREW-HH
322-29	SCREW-HH
322-3	SCREW-HH
322-4	SCREW-HH
322-42	SCREW-HH
322-5	SCREW-HH
322-6	SCREW-HH
322-7	SCREW-HH
322-8	SCREW-HH
322-9	SCREW-HH
3229-1	BOLT-CARR
3229-11	SCREW-CARR
3229-2	SCREW-CARR
3229-20	SCREW-CARR
3229-34	SCREW-CARR
3230-1	BOLT-CARR
3230-2	BOLT-CARR
3230-22	SCREW-CARR
3230-23	SCREW-CARR
3230-26	SCREW-CARR
3230-30	SCREW-CARR

Part Number	Description
3230-5	BOLT-CAR
3230-6	BOLT-CARR,FULL THRD
3230-7	BOLT-CARR
323-10	SCREW-HH
323-11	SCREW-HH
3231-2	BOLT-CARR
323-12	SCREW-HH
3231-21	SCREW-CARR
3231-22	SCREW-CARR
3231-25	BOLT-CARR
3231-27	SCREW-CARR
323-13	SCREW-HH
3231-33	SCREW-CARR
3231-4	SCREW-CARR
323-14	SCREW-HH
3231-5	SCREW-CARR
323-15	SCREW-HH
323-17	SCREW-HH
323-19	SCREW-HH
323-2	SCREW-HH
323-20	SCREW-HH
323-23	SCREW-HH
323-29	SCREW-HH
3233-26	SCREW-CARR, SHORT NECK
323-4	SCREW-HH
3234-1	SCREW-HHF
3234-11	SCREW-HHF
3234-12	SCREW-HHF
3234-13	SCREW-HHF
3234-14	SCREW-HHF
3234-17	SCREW-HHF
3234-18	SCREW-HHF
3234-19	SCREW-HHF
3234-24	SCREW-HHF
3234-27	SCREW-HHF
3234-29	SCREW-HHF
3234-32	SCREW-HHF
3234-33	SCREW-HHF
3234-34	SCREW-HHF
3234-36	SCREW-HHF
3234-38	SCREW-HHF
3234-4	SCREW-HHF
3234-42	SCREW-HHF
3234-5	SCREW-HHF
3234-6	SCREW-HHF
3234-7	SCREW-HHF
323-49	BOLT-TAP
323-5	SCREW-HH
323-50	BOLT-HH
323-52	SCREW-HH
323-53	SCREW-HH
323-58	BOLT-TAP, HH
323-6	SCREW-HH
323-7	SCREW-HH
323-8	SCREW-HH
323-9	SCREW-HH
324-10	SCREW-HH
324-13	SCREW-HH
3241-5	SCREW-SET
3241-6	SCREW-SQH

Part Number	Description
3241-7	SCREW-SQH
3242-1	SCREW-SQH
3242-2	SCREW-SQH
3242-4	SCREW-SET, SQH
324-25	SCREW-HH
3242-9	5/16-18X1-3/4 SQ H SS
3243-1	SCREW-SET
3243-13	SCREW-SET, SQH
324-5	SCREW-HH
3245-1	SCREW-SET, HSH
3245-35	SCREW-SET, HSH
3245-42	SCREW-SET
324-6	SCREW-HH
3246-17	SETSCREW-HSH
3246-2	SCREW-SET, HSH
324-7	SCREW-HH
324-8	SCREW-HH
3249-3	SCREW-PRH
3250-13	SCREW-PPH
3250-36	SCREW-PPH
325-10	SCREW-HH
325-11	SCREW-HH
325-12	SCREW-HH
325-13	SCREW-HH
325-14	SCREW-HH
325-17	SCREW-HH
325-18	SCREW-HH
325-19	SCREW-HH
325-2	SCREW-HH
325-22	SCREW-HH
3252-4	10-24 X 3/4 FIL HD MS
3253-17	WASHER-LOCK
3253-21	WASHER-LOCK
3253-3	WASHER-LOCK
3253-4	WASHER-LOCK
3253-5	WASHER-LOCK
3253-6	WASHER-LOCK
3253-7	WASHER-LOCK
3253-8	WASHER-LOCK
325-4	SCREW-HH
3254-1	WASHER-LOCK, INT
3254-17	WASHER-LOCK
3254-2	WASHER-LOCK, INTERNAL
3254-21	WASHER-LOCK/INT
3254-4	WASHER-LOCK/INT
3254-6	WASHER-LOCK, INTERNAL
3254-8	WASHER-LOCK
325-5	SCREW-HH
3255-16	WASHER-LOCK/EXT
3255-7	WASHER-LOCK/EXT
3255-8	WASHER-LOCK
3255-9	WASHER-LOCK
325-6	SCREW-HH
3256-1	WASHER-FLAT
3256-14	WASHER-FLAT
3256-15	WASHER-FLAT
3256-16	WASHER-FLAT
3256-2	WASHER-FLAT
3256-22	WASHER-FLAT
3256-23	WASHER-PLAIN

PARTS LIST

Part Number	Description
3256-24	WASHER-FLAT
3256-25	WASHER-FLAT
3256-26	WASHER-FLAT
3256-28	WASHER-FLAT
3256-3	WASHER-FLAT
3256-35	WASHER-FLAT
3256-38	WASHER-FLAT
3256-4	WASHER-FLAT
3256-42	WASHER-FLAT
3256-45	WASHER-FLAT
3256-46	WASHER-FLAT
3256-49	WASHER-PLAIN
3256-5	WASHER-FLAT
3256-51	WASHER-FLAT
3256-56	WASHER-FLAT
3256-6	WASHER-FLAT
3256-67	WASHER
3256-69	WASHER-FLAT
3256-74	WASHER-FLAT
3256-78	WASHER-FLAT
3256-82	WASHER-FLAT
325-7	SCREW-HH
3257-3	KEY-WOODRUFF
3257-32	KEY-WOODRUFF
3257-33	KEY-WOODRUFF
3257-42	KEY-WOODRUFF
3257-5	KEY-WOODRUFF
325-8	SCREW-HH
3258-166	SCREW-PRH
3262-3	RIVET-BUTTON HEAD
3269-23	RIVET-POP
3269-28	RIVET-POP
3269-3	RIVET-POP
3269-4	RIVET-POP
3269-8	RIVET-BLIND
327-15	SCREW-HH
327-17	SCREW-HH
3272-1	PIN-COTTER
3272-10	PIN-COTTER
3272-11	PIN-COTTER
3272-12	PIN-COTTER
3272-16	PIN-COTTER
3272-19	PIN-COTTER
3272-23	PIN-COTTER
3272-37	PIN-COTTER
3272-4	PIN-COTTER
327-24	SCREW-HH
327-25	SCREW-HH
3272-6	PIN-COTTER
3272-7	PIN-COTTER
3273-14	SCREW-HSH
3274-1	SCREW-HSH
3274-105	SCREW-HSBH
3274-12	SCREW-HSH
3274-31	SCREW-HSBH
3274-39	SCREW-HSBH
3274-5	SCREW-HSH
3274-52	SCREW-HSH
3274-69	SCREW-HSBH
3274-7	SCREW-HSH

Part Number	Description
3274-74	SCREW-HSH
3274-80	SCREW-HH
3274-93	SCREW-HSH
3274-99	SCREW-HSH
327-7	SCREW-HH
3283-1	PIN-GROOVED
328-9	SCREW-HH
3290-125	SCREW-SET,HSH
3290-133	SCREW
3290-134	SCREW
3290-237	SLOT HD SCREW
3290-244	WASHER-LOCK
3290-271	RIVET-POP
3290-317	WASHER-SPRING
3290-321	SCREW-HWH
3290-334	PYRAMIDAL WASHER
3290-343	PIN-HAIR
3290-355	PIN-HAIR
3290-357	NUT-HHF, WHIZ
3290-360	SCREW-HH
3290-378	TIE-CABLE
3290-379	TIE-CABLE
3290-382	RIVET-POP
3290-384	PIN-LYNCH
3290-440	WASHER-BELLEVILLE
3290-450	WASHER-BELLEVILLE
3290-467	PIN-HAIR
3290-477	WASHER-CURVED
3290-485	WASHER-WAVE
3290-495	PIN-KLIK
3290-55	RIVET-POP
329-1	SCREW-HH
329-2	SCREW-HH
3295-46	RIVET
32-9610	ROLLER SHAFT
3296-12	NUT-LOCK, NI
3296-15	NUT-LOCK, NI
3296-16	NUT-LOCK, NI
3296-19	NUT-HEX
3296-2	NUT-LOCK, NI
3296-23	NUT-LOCK, NI
3296-25	NUT-LOCK, NI
3296-26	NUT-LOCK, NI
3296-28	NUT-LOCK, NI
3296-29	NUT-LOCK, NI
3296-33	NUT-LOCK, NI
3296-39	NUT-LOCK, NI
3296-4	NUT-LOCK
3296-42	NUT-LOCK, NI
3296-45	NUT-HEX
3296-47	NUT-LOCK, NI
3296-48	NUT-LOCK, NI
3296-49	NUT-LOCK, NI
3296-5	NUT-HEX
3296-50	NUT-LOCK, NI
3296-51	NUT-LOCK, NI
3296-53	NUT-LOCK, NI
3296-56	NUT-LOCK, NI
3296-57	NUT-LOCK, NI
3296-6	NUT-LOCK

Part Number	Description	Part Number	Description
3296-60	NUT-LOCK, NI	340-103	FITTING-HYD, 45 DEG
3296-62	NUT-LOCK, NI	340-105	FITTING-ELBOW, 90 DEG
3296-67	NUT-LOCK, NI	340-109	FITTING-TEE
3296-8	NUT-HEX	340-126	NUT-BULKHEAD
3296-9	NUT-HEX	340-127	NUT-BULKHEAD
33003-00	NUT-HF	340-128	NUT-BULKHEAD
33004-00	NUT-HF	340-129	FITTING-ELBOW, 90 DEG
33014-00	NUT-HEX	340-132	FITTING-ELBOW, 90 DEG
33023-00	NUT-LOCK	340-136	O-RING
33024-00	NUT-LOCK, NI	340-138	FITTING-HYD, 45 DEG
33025-00	NUT-LOCK, NI	340-139	FITTING-ELBOW 90
33026-00	NUT-HEX	340-14	FITTING-HYD, 45 DEG
33028-00	NUT-LOCK, NI	340-142	FITTING-ELBOW-90
33-0630	BRUSH	340-154	UNION-BULKHEAD
33093-00	WASHER-FLAT	340-156	FITTING-ELBOW 45
33094-00	WASHER-PLAIN	340-157	FITTING-HYD, TEE
33098-00	WASHER-FLAT	340-16	FITTING-HYD, 90 DEG
33-1000	SCRAPER BRUSH ASM	340-17	FITTING-ELBOW, 90 DEG
33103-012	SCREW-HHF	340-18	FITTING-HYD, 90 DEG
33103-020	SCREW-HHF	340-2	FITTING-STRAIGHT
33103-040	SCREW-HHF	340-3	FITTING-STRAIGHT
33103-045	SCREW-HHF	340-4	FITTING-STRAIGHT
33104-020	SCREW-HHF	340-6	FITTING-STRAIGHT
33104-040	SCREW-HHF	340-65	O-RING
33105-025	SCREW-HHF	340-68	FITTING-TEE, BULKHEAD
33105-030	SCREW-HHF	340-7	FITTING-STRAIGHT
33113-008	SCREW-HH	340-70	NUT-LOCK
33113-012	SCREW-HH	340-72	FITTING-BULKHEAD, 90 DEG
33113-025	SCREW-HH	340-74	NUT-LOCK, BULKHEAD
33113-030	SCREW-HH	340-77	FITTING-ELBOW, 90 DEG
33114-010	SCREW-HH	340-78	NUT-LOCK
33114-016	SCREW-HH	340-82	FITTING-ELBOW, 90 DEG
33114-020	SCREW-HH	340-86	FITTING-TEE
33114-025	SCREW-HH	340-87	FITTING-ELBOW, 45 DEG
33114-030	SCREW-HH	340-88	FITTING-STRAIGHT
33114-035	SCREW-HH	340-89	FITTING-HYD, 45 DEG
33114-040	SCREW-HH	340-92	FITTING-STRAIGHT
33114-060	SCREW-HH	340-98	FITTING-ELBOW, 90 DEG
33115-016	SCREW-HH	3-4160	LH IDLER RING ASM
33115-020	SCREW-HH	3-4170	RH IDLER RING ASM
33115-025	SCREW-HH	3-4244	PULLEY-IDLER
33115-030	SCREW-HH	353-212	FITTING-ELBOW, 45 DEG
33115-050	SCREW-HH	353-384	FITTING-STRAIGHT
33115-080	SCREW-HH	353-426	FITTING-90 DEG
33118-045	SCREW-HH	353-427	FITTING-45 DEG
33118-140	SCREW-HH	353-461	HYD MOTOR SEAL KIT
33123-016	SCREW-CARR	353-511	FITTING-HYD, 90 DEG
33124-025	SCREW-CARR	353-515	SEAL & RET KIT
33125-025	SCREW-CARR	353-528	SEAL KIT
33125-030	SCREW-CARR	353-550	PLUG-HYD, HH
33125-045	SCREW-CARR	353-564	FITTING-90 DEG
33126-045	SCREW-CARR	353-743	LOAD SEAL KIT
33-3090	BUSHING	353-781	FITTING-HYD, 90
3334-945	TIE-CABLE	353-783	FITTING-STR
3-3891	FINGER-THROWOUT, LH	353-877	FITTING-HYD, TEE
3-3892	BEARING-FINGER, THROWOUT	353-949	O-RING
3-3904	FINGER-THROWOUT, RH	353-957	CUP-SEAL
340-1	FITTING-STRAIGHT	353-979	FITTING-STR
3-4010	BUSHING ASM	353-987	FITTING-ELBOW, 90
340-101	FITTING-HYD, 45 DEG	353-988	PLUG-HEX

PARTS LIST

Part Number	Description
353-990	PLUG ASM
354-120	FITTING-ELBOW, 90
354-121	FITTING-STR
354-126	FITTING-ELBOW, 45
354-136	FITTING-STR
354-73	FITTING
354-78	FITTING-STR
354-79	CAP-DUST
360-0398	O-RING
361-1	APPLE RED SPRAY PAINT
361-10	TORO RED 12OZ AEROSOL CAN
36-1740	ROLLER-DECK
3-6498	WASHER-THRUST
3-6573	BEDKNIFE-SERVICE ONLY
3-6685	SPRING
36-7190	GRASS SHIELD ASM
36-7250	GM-3 GRASS BASKET
36-7260	BAR-OFF, CUT
36-7420	BEARING-BALL
3-6775	WASHER
3-6776	SPACER
3-6777	WASHER
3-6778	AXLE SLINGER
3-6781	WASHER-THRUST
37-2760-01	PIN-LIFT, BAIL
37-3490-01	BRACKET-DRAWBAR
3-7442	LOWER WASHER
3-7445	STUD-RING, RATCHET
37-6730	CUP-BEARING
37-8030-03	PUMP MOUNT
38-0410	NUT-HEX
38-3400	GUARD-RUBBER
3-8386	NUT-PINION, REEL
3-8448	WASHER-THRUST
3-8514	WASHER-THRUST
38-5250	PUMP-VALVE HOSE
38-7330	SHIELD WASHER
38-7420	BEDKNIFE, RM
38-7820	BEARING-BALL
3-9116	SHAFT-IDLER PINION, RH
3-9117	SHAFT-IDLER PINION, LH
3-9280-01	DRAWBAR
39-9590	ROLLER ASM
40-0340	SHAFT-ROLLER, REAR
40-0370-01	FRT CASTOR FRK WA
40-3760-03	BLADE-18"
40-6400	SHAFT-ROLLER
40998	SEAT-GASKET
40999	CLAMP
411024	BELT VARIATOR 520
41480	VALVE - 1 IN MOTORIZED CT
41679	BELT - DRIVE
41-9150	V-BELT, TORQUE TEAM
42-1910	PLATE WA
42-1940	RAKE PRONG
4-2219	REEL ASM
42-4790-01	RH MOUNT WA
42-4800-01	SCRAPER ASM
42-4820	ROLLER SCRAPER KIT
42-9030	FILTER-OIL

Part Number	Description
42-9100	V-BELT, FAN
43-0090	SCREW-HH
43-1820	FUEL FILTER
43-2550	FILTER-PUMP
43-2830	NUT-HEX
43-3860	SHAFT-PIVOT, PTO
43-3990	CONTROL-THROTTLE
43-5910	FAN BELT
43-5930	WASHER-LOCK, SPRING
43-6810	SPIDER-TORQUE
44-0870	CAM SHAFT ASM
44-2200	SCREW-BLADE
44-2500	HYD OIL DYE (RED)
44-5480	BLADE-HIGH SAIL
44-5560	HEAD-FILTER, OIL
44-6250-03	BLADE-21.5 INCH
44-6260	V-BELT
44-6340	PULLEY AND HUB ASM
44-6370	SPINDLE ASM
44-8990	V-BELT
4-5189-01	ROLLER AND END CAP ASM
46-0430	NUT-LOCK
46-6560	BUSHING
46-7510	HOOD-INLET, AIR
46-8530	BEARING ASM
46-8560	SCREW-HHFTF
47-2380	KEY-SQUARE
47-2890	BUSHING
47-4060-01	COVER-CASE, GEAR ASM
47-4080-01	BEDBAR ASM
47-4250	SLEEVE-WEAR
47-4260	SLINGER-GRASS
47-4300-01	HANDLE ASM
47-4380	NUT-ROLLER, RH
47-4390	NUT-ROLLER, LH
47-4400	ARM-SPRING
47-4410	HOUSING-RETAINER
47-4420	SPACER-SLEEVE, ADJUSTMENT
47-4430	BUSHING-FLANGED
47-4440	WASHER-PLASTIC
47-4450	BOLT-SHOULDER
47-4460	BOLT-SHOULDER, ECC
47-4470	RETAINER-RATCHET RING, RH
47-4480	RETAINER-RATCHET RING, LH
47-4490	PINION-REEL
47-4510	SHAFT-ADJUSTING
47-4530	RETAINER-DRAWBAR
47-5320-01	LEVER
47-5640	SPACER-RUBBER
47-6680	BEDKNIFE, RM (FAIRWAY)
47-7140	PULLEY-DRIVEN
47-7150	PULLEY-DRIVE
47-7160	BELT
47-7170	GASKET-COVER
47-7510	WASHER-NYLON
48-7430	PRECLEANER
48-8880	PIN-DOWEL
48-9020	BOLT-SHOULDER
48-9050	SHIELD-PLATE, DRIVE
48-9071-01	COVER-DRIVE HOUSING, RH

Part Number	Description
48-9081-01	COVER-DRIVE HOUSING, LH
48-9220	WASHER-PLAIN
48-9590	WASHER-LOCK
49-0390	SPACER
49-2040	SCREW-HWHTF
49-4100	SHAFT-AXLE, STUB
49-5430	ROD-CONTROL
49-5880	SHAFT-SUPPORT, SEAT
49-5900	STEERING WHEEL ASM
49-5960	STEERING CABLE
49-6020	THROTTLE CONTROL
49-6110-01	GUARD-ROD, TRANSMISSION
49-6120	PAD-FOOTREST
49-6200-01	LEVER-CUTTING
49-6220	BRACKET-ARM, CONTROL
49-6250	BRACKET-PIVOT
49-6260	PIVOT ASM
49-6290	PIVOT SHAFT ASM
49-6440-03	PEDAL-FORWARD
49-7660	BEDKNIFE, RM
49-8320	BEARING ASM
5-0652	SPACER
5-0698	KEY
5-0946	KEY-SQUARE
51-0350	PIN-SPRING, SEAT
51-0600	HOSE ASM
51-0680	THROTTLE CONTROL
51-0700	MUFFLER ASM
51-0780	SLIDER-SEAT
51-0790	ADJUSTER-SEAT, LH
5108	VALVE
51-0830	ADJ SHIELD
51-0840	PIVOT TUBE *R
5-1090	DRAWBAR CLAMP -PLT
5-1091	SPACER
5-1226	WASHER
51-2550	TIRE (18X4-12) SEMI-PNEUM
5-1382	FRONT ROLLER ASM
5-1393	SHAFT-REEL
51-4060	SCREW-BLADE
5-1457	GEAR-WHEEL, DRIVE
5-1460	COVER-PINION, REEL
5-1461	KNIFE BAR PIVOT
5-1463	PINION-REEL
5-1464-03	HANDLE-RATCHET, THROWOUT
5-1468-01	PNEU. WHEEL HUB
5-1470	SCREW-HH
5-1706	SPRING-EXTENSION
52-1460	GRND.CABLE
52-2480	SPACER-WHEEL
52-2860	WASHER
52-2890	BUSHING-NYLON
52-2891	BUSHING-FLANGED, NYLON
52-2900	WASHER-PLASTIC
52-2910	BOLT-ECCENTRIC
52-2920	PIVOT-BEDBAR
52-2930	BOLT-SHOULDER
52-2980	S.P.A. PIVOT
52-2990	SPRING RET CAPSCREW
52-3000	SPRING ARM

Part Number	Description
52-3100	BOLT-HOC ECCENTRIC, LH
52-3110	BOLT-HOC SHOULDER, RH
52-3120	ROLLER ASM
52-3170	FULL FRONT ROLLER ASM
52-3180	BEARING-ROLLER, FRONT
52-3200	WIEHLE ROLLER ASM
52-3590	SWAGED ROLLER ASM
5-2653	PULLEY ASM
5-2673	AXLE SHAFT
5-2942	SHACKLE
5-3137	SPACER TUBE BUSHING
5-3256	PNEUMATIC TIRE DISC
5-3257	PNEUMATIC TIRE DISC
5-3820	OIL SEAL
5-3889	AXLE SPACER TUBE ASM *R
53-9250	ROLLR SCRPR BRKT
5-3934	BOLT-CASTER
53-9682	MOUNT-ENGINE
54-0010-03	BLADE
54-0110	FILTER-OIL, TRANSMISSION
5-4038	WEAR SLEEVE
5-4373	SPRING
5-4523	SLEEVE
5-4527	WASHER-THRUST
54-8810	10-INCH PNEUMATIC CASTOR
54-9180	U-JOINT KIT
54-9510	MOTOR-HYD, WITH BY-PASS
55-7660	V-BELT
560031W	ROLLER REAR W/A HARRIER 5
56-6220	BEARING
56-6230	BEARING-ROLLER
56-6360	FILTER-FUEL
56-7960	TIRE (11-15) 8-PLY
56-7970	CLAMP-TUBE
56-7971	CLAMP-TUBE
56-7972	CLAMP-TUBE
56-7973	CLAMP-TUBE
56-7976	CLAMP-TUBE
56-9510	BUSHING ASM
56-9520	BUSHING-FLANGED
57-0240	V-BELT
57-0260	SPINDLE ASM
57-0680	SHAFT-ROLLER
57-0690	PIN-SPECIAL
57-3210	SCREW
57-4940-01	BEDBAR
57-5190	SCREW-SET, HSH
57-5200	GRASS SHIELD ASM
57-5210	SHIELD FLAP
57-5270	SPRING-COMPRESSION
57-5280	BRG CUP & CONE RET
57-6140	CLAMP-TUBE, HALF
57-6220	LINK-CONNECTING
57-6390	NUT-JAM
57-7650	SPRING-TORSION
57-8580	FILTER
57-9340	SPARK PLUG
57-9910	PIVOT SCREW
58-3850	CABLE
58-4250	CATCH-MAGNETIC

PARTS LIST

Part Number	Description
58-5740	HOSE ASM
58-5750	HOSE ASM
58-5780	HOSE ASM
58-5790	HOSE ASM
59-2080	ROLLER CHAIN
59-2090	ROLLER CHAIN
59-2500-03	BLOCK
59-2580	SPACER-TUBULAR
59-3670	TINE-HOLLOW, 5/8 X 4.75
59-4200	V-BELT
59-5470-01	BEDBAR-5 AND 7 BLADE
59-5560	CAP-DUST
59-5570	ADJ PIN
59-5580-01	HANDLE ASM
59-5630	ROLLER ASM
59-5690	SLEEVE-WEAR
59-5770-01	HOUSING-ADJUSTMENT
59-5780	ROLLER BUSHING ASM
59-5820	NUT-CONE
59-5830-01	COVER-FRAME
59-5890	BEDKNIFE (FAIRWAY)
59-5910	CROSS AND BEARING (
59-6000-01	BRACKET-SKID, RH
59-6010-01	BRACKET-SKID, LH
59-6070-01	R/H SCRAPER BRKT
59-6080-01	L/H SCRAPER BRKT
59-6090	RM4000 REAR ROLLER SCRAPE
59-6140	BEARING
59-6150	WASHER-PULLEY
59-6190	CAPSCREW-SHAFT, REEL
59-6250-01	FRAME WA
59-6290	SHAFT & STOP
59-6330	NUT
59-6340	SHOULDER BOLT
59-7410	FITTING-DIAGNOSTIC
59-7490	PLUG-FITTING, GREASE
59-8400	SEAL KIT
59-9740	FLEX DRAW LATCH ASM
60-5470	FILTER ELEMENT KIT
60-6500	SCREW-HH
6-1030	HOUSING
61-0380-01	CAP-END,ROLLER
61-0410	FULL ROLLER ASM
61-0420-01	SUPPORT-HOC
61-0430-01	HOC REAR BRKT(MACH)
61-0790	SCREW-HH
61-0910	BRACKET-ANGLE
61-1010	BEDBAR PIVOT HSG WA
61-1210-01	BEDBAR
6-1130	LH ROLLER ADJ WASHER
61-1950	WASHER-PLASTIC
61-2670	WIRE ASM
61-2790	FILTER-SCREEN
61-3000	SHAFT
61-3260	REAR LIFT CABLE
61-3280	FLAP-RUBBER
61-3290	FLAP-RUBBER, MIDDLE
61-3380	BELT-V
61-3390	BELT
61-3400	V-BELT

Part Number	Description
61-3790	PLATE-HOC, FRONT
61-3800	PLATE-HOC, REAR
61-4160	HOUSING-SPINDLE
6-1600	SOLENOID
61-9390-01	STEERING DRUM
62-2130	CHOKE CONTROL
62-2170	WASHER-THRUST
62-2180	STEERING CABLE
62-2190	PLAIN WASHER
62-2390-01	BAR-LH LIFT ARM
62-2420-01	BAR ASM-LIFT, CTR ARM
62-2440	LIFT ARM ASM
62-2460	LIFT ARM ASM
62-2660	FOOT STEP PAD
62-4340	SPANNER
62-4420	WASHER
62-4480	ROD-ROLLER
62-4600	TINE-HOLLOW, 3/4 X 4.75
62-4610-03	BLOCK
62-5070	DECAL-WARNING
62-5510	BUSHING-RUBBER
62-5570	BEARING-ROLLER
62-5580	BEARING-OUTSIDE
62-6080	BOLT-SHOULDER
62-6110	BUSHING ASM
62-6130	WIEHLE ROLLER ASM
62-6390	FAN BELT
62-6470	DRIVE HSG RH (MACH) *R
62-6480-01	DRIVE HSG LH (MACH)
62-7120	WASHER
62-7700-03	BLADE-21"
62-7770	KEY-IGNITION
63-0070	SPACER
63-0080-03	BLADE
63-0960	REAR CASTOR SPACER
63-1510	V-BELT
63-1540-03	PULLEY-IDLER
63-1770	SPANNER
63-2290	WASHER-THRUST
63-3410	SCREW-SHOULDER
63-3850	HOSE ASM
63-3890	HOSE ASM
63-3930	HOSE ASM
63-3950	HOSE ASM
63-4020	TUBE-HYD
63-4030	TUBE-HYD
63-4050	FITTING-HYD
63-4080	FITTING-MANIFOLD
63-4480	TIRE
63-6240	V-BELT
63-7790	SCREW-CAP
63-8300	ELEMENT-SPIN ON
63-8360	KEY-IGNITION
63-8400	CASTER WHEEL ASM
63-8410	WASHER
63-8580	BEARING-ROLLER
63-8610	BEDKNIFE-FAIRWAY
63-8750	PIN-PIVOT
63-9510	BUSHING
63-9750	MOUNT

Part Number	Description
65-5940	PULLEY-IDLER
65-5950	BUSHING-PULLEY
65-6200	BELT
65-6210	BELT
65-6450	BRACKET-LH
65-6460	BRACKET-RH
65-6520	SPACER
65-6530	SPACER
65-7270	V-BELT (MATCHED SET)
65-7910	SPACER
65-7940	TIRE
65-8360-01	SCRAPER-SMOOTH
65-8570	ROD-MOUNTING
65-8600	KNOB-ADJUSTMENT, HEIGHT
65-8770	BUSHING-BELLCRANK
6590003	O-RING
65-9080	BELT
65-9500	ROLLER ADJ SCREW
65-9700	BELT-DRIVE
66-0561	SCREW-SHOULDER
66-2490	RETAINER-BATTERY
66-2630	LATCH-SEAT
66-2950	GAUGE-HOURLMETER
66-4070	V-BELT
66-4270-03	SPRING-EXTENSION
66-4340	V_BELT
66-5620	WASHER
66-5640	SHAFT
66-5650	SHAFT
66-7220	ARM-SPRING
66-7230	SPRING-COMPRESSION
66-7240	SCREW-PIVOT
66-8010	SPACER
66-8800	RELAY
66-9140	TINE-HOLLOW, 1/2 X 4.75
66-9302	SCREW-HHF, WHIZ
67-1750	BUSHING
67-1751	BUSHING
67-4410	V-BELT
67-4630	ALTERNATOR ASSEMBLY
67-5770	WASHER
67-5840	NUT-JAM
67-6920	V-BELT
67-7561	CUP-SCALP, ANTI
67-7960	DECAL-DANGER
67-8110	CARTRIDGE-FILTER, OIL
67-8510	V-BELT, FAN
67-9410	WASHER
68-3270	BUMPER-RUBBER
68-5130	WHEEL-STEERING
68-5260	MANIFOLD-TEE
68-5310	CLIP-ROD, PROP
68-5380	CENTER LIFT ARM ASM
68-5560	PIN-CYLINDER, PIVOT
68-5880	HOSE-HYD
68-6150	BREATHER
68-6710	ROLLER
68-6840	SHAFT-ROLLER
68-7530	BUSHING
68-8900-01	FRONT CASTOR FORK ASM

Part Number	Description
68-8920	FEMALE WHEEL HALF
68-8930	MALE WHEEL HALF
68-8940	HUB-CENTER
68-8950	TUBE-INNER (W/VALVE)
68-8960	TIRE
68-8970	TIRE AND BEARING ASM
68-8980	SPANNER-TIRE
68-8990	HEAD-FILTER
68-9400	NUT-FLANGE
68-9930	THROTTLE CONTROL
68-9970	GUARD-SEAL
69-1510	SPACER
69-1530	HOUSING-SPINDLE
69-1720	ELEMENT-FILTER
69-4320	FITTING-HYD, 90 DEG
69-5430-03	PULLEY-IDLER, FLAT
69-6270-01	FORK - CASTOR
69-6470	BUSHING-CASTOR
69-6860	WASHER-THRUST
69-6920-03	BLADE-20 IN.
69-6950	SPACER-SHAFT, SPINDLE
69-8390	SPINDLE PULLEY ASSEMBLY
69-8400	SPINDLE ASM
69-8890	CAP-SPINDLE
69-8930	WASHER
69-8960	SPACER
69-8980	WASHER
69-9760	COVERPLATE
69-9800	TIRE (31X13.5-15) 8-PLY
69-9880	TIRE (23X10.5-12) 6-PLY
700083	FLANGETTE-BEARING
700382	RIVET
7-0081	WASHER-FLAT
70-1170	BLADE-VERTIREEL
70-1200-01	FRAME-REEL ASM
70-1350	SPACER-PLASTIC
70-1820	CASTOR WHEEL
70-4790	FILTER
70-7130	LINE-TUBE
70-8040	WASHER
70-8370	BOLT
70-8500	TIRE-SMOOTH, 2-PLY
70-9840	SHOE-BRAKE
70-9870	PLATE-BACKING
70-9880	SPRING-RETURN
70-9940	HYDRAULIC HOSE ASM
70-9950	HYDRAULIC HOSE ASM
70-9960	HYDRAULIC HOSE ASM
71-0990	ORIFICE (.0465 ONE-WAY)
71-1360	BEARING
71-1550	WIEHLE ROLLER ASM (.43",
71-2530	BEARING/SPACER KIT
71-3590	NUT-ADJUSTMENT
71-3690	SPADE-BENT
71-4410	SPACER
71-4411	SPACER
71-4540	WASHER-THRUST
71-4740-03	RH TIE ROD END ASM
71-5960	FUEL FILTER
72-0380	HEX-KNOB

PARTS LIST

Part Number	Description
72-0390	ROD-ADJUSTING
72-0410	STAND-OFF
72-0420	CLAMP-TUBE
72-0430	BUSHING-FLANGE
72-0440	PIN-ADJ
72-0450-01	BRACKET-RH
72-0460-01	BRACKET-LH
72-0470-01	GUARD
72-3760	V-BELT
72-4640-03	LH TURF GUARD ASM
72-4660-03	RH TURF GUARD ASM
72-4680-03	CENTER TURF GUARD ASM
72-9361	CUP-SCALP, ANTI
72-9390	BELT-SEAT
72-9710	HUB-TIRE
74-0340	CUSHION-RUBBER
7-4150	WASHER
74-1810	WASHER
74-3570	FILTER
74-3650	FAN
74-3730	SPACER-SPINDLE, REAR
74-5560	TIRE (20X8-10) 6-PLY
74-5950	LATCH-SWELL
74-8830	BELT-TIMING
74-9100	PAD-PEDAL, FORWARD
74-9110	PAD-PEDAL, REVERSE
75-0560	STEERING WHEEL ASM
75-0770	HYD CYLINDER
75-1040	COOLER-OIL
75-1290	BEARING-ROLLER
75-1310	FILTER-HYD
75-1370	CABLE-BATTERY, POSITIVE
75-1520	WIEHLE ROLLER ASM
75-1560-01	REAR DEFLECTOR WA
75-1610-01	ADJUSTMENT-HOC, RH
75-1620-01	ADJUSTMENT ASM-HOC, LH
75-1710	SUPPORT
75-1720	FLAP-SHIELD, REAR
75-1740	SCRAPER SPRING
75-1750-01	REAR SCRAPER WA
75-1840	FRONT GRASS SHIELD ASM
75-1960-01	BRACKET-HOC, RH FRONT
75-1980-01	BRACKET-HOC, LH FRONT
75-2160	BUSHING
75-4040-03	PLATE-BASKET, LH
75-4050-03	PLATE-BASKET, RH
75-5270	SPACER-KNOB, SEAT
75-5470	SPACER-BEARING
75-5890	HOSE
75-5900	HOSE
75-5910	HOSE
75-6070	HOSE
75-6080	HOSE ASM
75-6180	HOSE
75-6200	HOSE
75-6230	HOSE
75-6340	FILTER, IN-LINE
75-6820	HOURMETER
75-7570	KEY
75-7580-01	COVER-PLATE, RH

Part Number	Description
75-7590-01	COVER-DRIVE HOUSING, LH
75-7680-01	DEFLECTOR-GRASS ASM
75-8100	COVER
75-9440	HUB ASM
75-9670-01	FORK-CASTOR
75-9680-01	FORK-CASTOR
75-9831	HYD MOTOR ASM
75-9840	HYD MOTOR ASM
75-9990	HYD MOTOR ASM
76-0410	SPRING-COMPRESSION
76-0800	SEAL KIT
76-0850	BEARING-THRUST
76-2460	BEARING ASM
76-2970	BUSHING-STRAIGHT
76-2980	WASHER-THRUST
76-3580	SPACER-BEDBAR AND SIDEPLA
76-3600-01	END PLATE-LH
76-3610-01	END PLATE
76-3620	BEDKNIFE (FAIRWAY)
76-4660	SPRING-DOOR
76-5050	ALTERNATOR
76-5220	ELEMENT-FILTER
76-8170	HOSE ASSY
76-8640	STUD-TRACTION
76-8870	DAMPER-LEVER
77-0300-01	HANDLE ASM
77-0330	HOUSING-PIVOT
77-0350	WASHER-THRUST, NYLON
77-0560	NUT - SPLINED
77-1060	ADJUST-HOC, RH
77-1080	ADJUST-HOC, LH
77-4340-01	BEDBAR-11 BLADE
77-4810	BLOCK-DEFLECTOR
77-5080-01	DRAG-SWIVEL
77-5090-01	DRAG-SECONDARY
77-5320	TINE-SOLID, 5/16 X 3.25
77-6710-03	BLADE (21.5IN)
77-7330	PLUG-SPARK
80-1210	BLOCK-MOUNTING
80-1300	BOLT-SHOULDER
80-1460	ROD-SPRING
80-1470	SPRING
80-1680	L/H PIVOT BRKT & BSHG
80-1690	R/H PIVOT BRKT & BSHG
80-1860-03	HANDLE UPRIGHT ASM
80-1890	SPACER
80-2040	HOOK
80-2050	BOLT-SHOULDER
80-6990	WASHER-HARDENED
80-7342	HOSE-HYD
80-8650	COUPLING-DRIVE
80-9590	FILTER-WATER
8-1750	SPRING ARM
82-0660	ELEMENT-AIR CLEANER
82-2190	SWITCH-BAIL
82-3070-03	BLADE-9", THATCHER, 6PT
8-2490	SPHERICAL WASHER
82-4910	ROLLER
8-2530	COMB
8-2570	THRUST BEARING

Part Number	Description	Part Number	Description
82-6510-01	SUPPORT-HOC, RH	83-4740	BEARING
82-6530-01	SUPPORT-HOC, LH	83-5400	RM5000 FRT WIEHLE SCRAPER
82-6570	SHAFT-REEL	83-6930-01	R/H SCRAPER BRKT
82-6600	SPACER (0.73 INCH)	83-6940-01	L/H SCRAPER BRKT
82-6630-01	BRACKET ASM-HOC, RH	83-6950-01	R/H SCRAPER BRKT WA
82-6650-01	BRACKET ASM-HOC, LH	83-7000	HYD CYLINDER ASM
82-6740	REAR SCRAPER ASM	83-8590	CABLE - LIFT
82-6780-01	DEFLECTOR-REAR	83-9020	V-BELT
82-6820	SPACER	83-9310	RH BRAKE LEVER ASM
82-6830-01	BRACKET-SCRAPER	8-3980	SHAFT-ROLLER
82-9390	NUT-SPECIAL	8-3990	REAR ROLLER ASM
83-0020	SWITCH-IGNITION	84-0810-01	SKID-CASTING, LH
83-0030	CONTROL-THROTTLE	84-1990	ROD-ADJUSTING
83-0040	CONTROL-CHOKE	84-2000-03	BRACKET-BRAKE
83-0080	SPRING-PIVOT, LIFT	84-2190	SECTION SEAL KIT
83-0160	SHAFT-BRAKE	84-2230-03	PIVOT ASM
83-0190-01	COVER-RH	84-2280-03	RAKE-FINISHING
83-0200-01	PLATE-COVER, LH	84-2350	SPACER-LONG
83-0540-01	TRACTION PEDAL ASM	84-2420-03	LIFT ARM ASM
83-0580	ROD-CONTROL, TRACTION	84-2450	CHAIN-STRAIGHT, 4-LINK
83-0630	ARM-PIVOT, TRACTION	84-2451	CHAIN-STRAIGHT, 5 LINK
83-0640-01	PLATE-FOOTREST	84-2452	CHAIN-14 LINK, STRAIGHT
83-0700-03	HANDLE-LOCKUP	84-2453	CHAIN-LINK, 16
83-0730	SPACER-LOCKUP	84-2460-03	BLADE ASM
83-0740	DISC-FRICTION	84-2550-03	TROWEL-SMOOTH
83-0750	CAPSCREW-HH, LH THREAD	84-2620-03	ANGLE ASM
83-0760	SPACER-PLATE, LOCKUP	84-2680-03	HANGER ASM
83-0810	COVER-STEERING	84-5300	NUT-JAM
83-0820	GAUGE - AMMETER	84-5370	SPINDLE
83-0830-01	PANEL-CONTROL, UPPER	84-6070	SHAFT-ROLLER
83-0840-01	SHIELD-COVER, VALVE	84-6080	WIEHLE ROLLER ASM
83-0870	FITTING-HOSE, BARBED	84-6090	BOLT-SHOULDER
83-0910	HOSE-INLET, PUMP	84-6160	COLLAR AND BUSHING ASM
83-1031	MOUNT-ENGINE	84-6180	FRONT ROLLER ASSEMBLY
83-1040	WASHER-FLAT	84-8200	SEAL-OIL
83-1050	SPACER	84-8290	HYD CYLINDER ASSY
83-1060-03	ADAPTER-PUMP	84-8600	SET-SHOES, LINED
83-1150	ENGINE GROUND WIRE ASM	84-8730	HOSE ASSY
83-1200	TUBE-TRACTION, LH (LOWER)	84-8740	HOSE ASSY
83-1220	PLATE-CLAMP	85-0160-03	18 DEG SWEEP ASM
83-1270	SEAT SUPPORT ASM	85-0290	SPACER-PIVOT, SEAT
83-1350	HOSE-HYD	85-0310-03	HANGER ASM
83-1360	HOSE-HYD	85-4650	CONNECTOR
83-1390	VALVE-SHUT-OFF, FUEL	85-4930	FILTER - OIL
83-1420	COLUMN-STEERING	85-4940	HOSE-HYD
83-1430	HOSE-LINE, RETURN	85-5760	8-INCH CASTOR WHEEL ASM
83-1630-03	BRACKET-SUPPORT, MUFFLER	85-6010	SHAFT-SPINDLE
83-1670	FITTING ASM	85-6040-03	BLADE-25.18 INCH
83-1680	HOSE-HYD	85-6540	STUD-DRIVE
83-1690	HOSE-HYD	85-6610	SHAFT-STEERING
83-1700	BUSHING-FLANGE	85-7190	WASHER-SHIELD
83-1840-01	COVER-VALVE, RH	85-7220	REAR ROLLER ASM - 2"
83-1890	SWITCH-BALL	85-8030	CHAIN
83-2280	TIMER-DELAY	85-8120-03	PLATE-MOUNT, ENGINE
83-2310	SHIELD-REGULATOR	85-8290	TIRE-2PLY, KNOBBY
83-2380	SEAL REPAIR KIT	85-8360	GASKET-RING
83-2420	POSITIVE CABLE ASM	85-8460	SWITCH ARM ASM
83-2590	BOLT-SHOULDER, PIVOT	85-8730	HUB-ENGINE
83-4720-01	SPRING-TORSION, RH	85-8770	COUPLING
83-4730-01	SPRING-TORSION, LH	85-8940	FLANGETTE-RELUBE

PARTS LIST

Part Number	Description
85-8950	FLANGETTE-STANDARD
85-8960	SPACER
85-9020	KEY-SQUARE
85-9030	SPRING-EXTENSION
85-9120	SPACER-PIVOT, TILT
85-9150	PLATE-SWITCH
85-9180	SPROCKET-STEERING
85-9200	KNUCKLE-STEERING
85-9550	RUBBER CLAMP ASM
85-9670	NUT-T
85-9970	BEARING-BALL
86-0010-03	BLADE-19"
86-1960	V-BELT
86-1970	V-BELT
86-2120	ROLLER-LOCK
86-3010	FILTER-OIL
86-5350	BUMPER-RUBBER
86-5360	SEAL REPAIR KIT
86-5390	SEAL KIT
86-5900	TIRE (26X12-12) 8-PLY
86-5910	TIRE-6 PLY
86-6110	FILTER-HYDRAULIC
86-6560	WASHER-THRUST
86-7330	SEAL KIT
86-7450	CABLE-GROUND
86-7610-03	MOUNT-SEAT
86-7640-01	BOX-LITTER
86-8101-01	JOINT-BALL, LH
86-8630	FILTER-WATER
86-9100	FILTER ASM
86-9120	TRAPPER-SEDIMENT
86-9140	SCREEN-MESH, 100
86-9720	TINE-HOLLOW, 3/4 X 5.75
86-9810-01	L/H PULL FRAME ASM
87-1430	JOINT-BALL
87-1490	SPRING-LEAF, REAR
87-1970	BEARING-MATCHED SET
87-2720-03	SHAFT-MASK
87-3200	V-BELT
87-3210	V-BELT
87-3290	TIRE (23X10.5-12) 4-PLY T
87-3470	BUMPER
87-3770	BUSHING-HOUSING, BELL
87-3920	BUSHING
87-4020	SPRING-EXTENSION
87-4260	CABLE-SELECTOR, GEAR
87-4760	BUSHING-RUBBER
87-5100	WASHER-SNUBBING
87-6630	WASHER-PLAIN
87-7270	WASHER-THRUST
87-8170	FITTING-90
87-8370	V-BELT
87-8640	WASHER-FLAT
87-9400	VALVE-VACUATOR
88-6330	SPRING-EXTENSION
88-6790	WIEHLE ROLLER ASM (.43 IN
88-6830	SPACER-FRAME, CARRIER
88-6870	EXTENSION-ARM, PULL
88-7580	SHAFT-WHEEL, TRANSPORT (L
88-7590	SHAFT-WHEEL, TRANSPORT (R

Part Number	Description
88-7840	PULLEY AND DRIVE ASM
88-7880	BEARING
88-8350	TAB-BEARING
88-8440-03	PLATE-TIPPER
88-8450	PRONG
88-8480	BRACKET-PIVOT
88-8990	BEDKNIFE-MACHINED
88-9000	BEDKNIFE-TOURNAMENT
88-9630-01	BRACKET-LIFT PIVOT, RH
88-9640-01	BRACKET-LIFT PIVOT, LH
88-9700	HOSE-HYD
92-0527	CARTRIDGE-CLEANER, AIR
92-0530	ELEMENT-FILTER
92-0585	PULL ARM ASM
92-0586	PULL ARM ASM
92-1233	PIN-CLEVIS
92-1298	PIN-LYNCH
92-1655	10-INCH CASTOR WHEEL ASM
92-1705	FILTER-SCREEN
92-1715	SPACER
92-1719	HOSE ASM
92-1726	HOSE ASM
92-1727	HOSE ASM
92-1765	WASHER-THRUST
92-1815	SHAFT-C.U. PIVOT
92-1846	WIEHLE ROLLER ASM
92-2025	ALTERNATOR ASSY
92-2041	V-BELT
92-2153	SPARK PLUG
92-2308-03	RH ARM ASM
92-2311-03	LH BRACKET ASM
92-2312-03	RH BRACKET ASM
92-2313-03	ARM-LIFT
92-2314	HANDLE
92-2315	BOLT-SHOULDER
92-2318-03	LH PLATE ASM
92-2319-03	RH PLATE ASM
92-2320	LEVER-LATCH
92-2323	PIN
92-2324	BRACKET-PIVOT
92-2325-03	LH BRACKET ASM
92-2326-03	RH BRACKET ASM
92-2343-01	PEDAL ASM
92-2344	TRUNNION
92-2379	CLAMP-HOSE
92-2538	MODULE-TIMER
92-2546	WIPER-SEAL
92-2601	RING-RETAINING
92-2739	PIN-CLEVIS
92-2762	PIN-HAIR
92-3086	ROD - SCRAPER
92-3087	BRACKET - SCRAPER
92-3187	V-BELT(3VX,37.00")3=1 MAT
92-3814	CHARCOAL AIR FILTER
92-4187	CROSS AND BEARING KIT
92-4284	SPACER-FLAIL PIVOT
92-4285	BLADE-FLAIL
92-5018-03	CLAMP-BATTERY
92-5035	STEERING POST ASM
92-5039	CHAIN-STEERING

Part Number	Description	Part Number	Description
92-5578-01	FORK-CASTOR, REAR ASM	93-0309	WASHER-TAB
92-5588	V-BELT	93-1122	DECAL-DANGER
92-5604	SPINDLE SHAFT ASM	93-1251	SEAL-INNER
92-5606	SPACER-SPINDLE	93-1252	SEAL-OUTER
92-5607	PULLEY AND HUB ASM	93-1256	SHAFT - REAR ROLLER
92-5608-03	BLADE	93-1394	NUT-SPLINE
92-5816	BOLT-BLADE	93-1414	SEAL-GREASE
92-5821	HEAD-FILTER	93-2018	HOSE-RADIATOR
92-6282	SWITCH-SEAT	93-2075-01	BRAKE PEDAL ASM
92-7160	CLIP	93-2090	FAN-ENGINE
92-7179-01	PLATE-STOP, FORK	93-2092	CLAMP-CABLE
92-7186	TANK-FUEL	93-2096	LEVER-BRAKE
92-7302	NUT-LOCK, BEARING	93-2190	AIR CLEANER ASM
92-7305	SPRING-EXTENSION	93-2191	AIR CLEANER MOUNTING BAND
92-7534	HOSE-HYD	93-2242	FILTER-OIL
92-7536	HOSE-HYD	93-2254	HYD HOSE ASM
92-7538	HOSE ASM	93-2255	HYD HOSE ASM
92-7539	HOSE-HYD	93-2256	HYD HOSE ASM
92-7559	HYD HOSE ASM	93-2258	HYD HOSE ASM
92-7560	HYD HOSE ASM	93-2264	HOSE ASM
92-7595	HOSE-HYD	93-2270	HYD HOSE ASM
92-7750-01	FORK-CASTOR	93-2279	CLAMP-CABLE
92-7752-01	FORK-CASTOR ASM	93-2322	CONTROL-THROTTLE (DIESEL)
92-7768	SPRING-COMPRESSION	93-2329	CONTROL- CHOKE
92-7900	TINE-SIDE EJECT, 3/4 X 5.	93-2368	BUSHING-FLANGE
92-7941	TINE-SIDE EJECT, 3/4 X 4.	93-2384	SPACER-CARRIER
92-8690	STEERING CONTROL VALVE AS	93-2454	NUT-LOCK, TAPERED
92-8861	CAP-HOC	93-2463	ROLLER-LIFT
92-8862	HOC CAP ASM	93-2464	SPACER-ROLLER
92-8863	REPAIR KIT	93-2466	SHAFT-ROLLER
92-8866	SPACER	93-2470	SHAFT - ROLLER
92-8934	SPRING-EXTENSION	93-2489	BEARING
92-8972	CLAMP-SEAT	93-2511-01	BEDBAR
92-8973	ANGLE	93-2516	SPRING - COMPRESSION
92-8981	LIFT LEVER ASM	93-2518	HOUSING-PIVOT
92-8983	PIVOT	93-2522	ARM-SPRING
92-8990	ADJUSTER-SLAVE	93-2525	RING-RETAINING
92-8991	ADJUSTER (W/LATCH)	93-2545	SCREW-PIVOT
92-8995	BUSHING	93-2549	NUT-ADJUSTER
92-8997	COOLER-OIL	93-2550	ADJUSTOR ASM
92-9165	SEAL	93-2551	SEAL-BASKET
92-9167	CLUTCH-ROLLER	93-2559	BEARING-BALL
92-9199	MOTOR-WHEEL, HYD	93-2562	SPRING-COMPRESSION
92-9218	BELT-V, MATCHED SET	93-2569	SCREW-HHF
92-9231	SPRING-COMPRESSION	93-2576-01	BEDBAR
92-9250	SEAL-GREASE	93-2877	BUSHING
92-9251	SLEEVE-WEAR	93-2887	SHAFT-ROLLER, FRONT
92-9252	BUSHING-FLANGE	93-2891	BUSHING-PLASTIC
92-9545	O-RING KIT	93-2892	PIVOT-BEDBAR, MANUAL ADJ
92-9657	COUPLING-QUICK DISCONNECT	93-2904-01	BRKT.-HOC, REAR (MACH)
92-9658	COUPLING-NOSE	93-2906	PIN - HOC
92-9659	COUPLING-QUICK, BODY	93-2921	SPRING - COMPRESSION
92-9726	SPRING-COMPRESSION	93-2931	WASHER-ROLLER
92-9727	HOC CAP ASM	93-2959	SPACER-ADJUSTER
92-9749	SEAL KIT	93-2981-01	SIDEPLATE-RH, WELDED
92-9767	HOSE	93-2982-01	SIDEPLATE WA - LH
92-9785	V-BELT	93-2998-01	SHIELD - RH
93-0181	TIRE (11-14) 8 PLY	93-3007	SEAL-OIL
93-0183	BELT-V, IMPELLER	93-3038-03	BLADE-DETHATCHER
93-0307	NUT-LOCK, RETAINER	93-3080-03	HOUSING, END CAP

PARTS LIST

Part Number	Description
93-3102	CAP-FUEL
93-3577	ALTERNATOR ASSY
93-4034	V-BELT
93-4132	O-RING
93-4133	SEAL-LIP
93-4239	RIM-WHEEL, HALF
93-4240	10 INCH WHEEL ASM
93-4241	SPACER-BEARING, INNER
93-4242	PLATE
93-4243	TIRE
93-4244	TUBE-INNER (W/VALVE)
93-4262	BEDKNIFE-MICROCUT
93-4263	BEDKNIFE-TOURNAMENT CUT
93-4264	BEDKNIFE-LOW CUT
93-4510	BUSHING-CASTER
93-4582	SHAFT-CASTOR
93-4583-01	MOUNT-JOINT, BALL
93-4628	WASHER
93-4632	WASHER-WAVEY
93-4696	PIN-HITCH
93-4747	WHEEL-GAGE
93-4764	SPANNER-WHEEL
93-4803	ROLLER-DECK
93-4806	BOLT/AXLE-WHEEL
93-4824	FORK-CASTOR
93-4825	KIT-SPACER & BEARING
93-4838	V-BELT, HEX
93-4839	V-BELT
93-4982	BLADE-COMBINATION
93-5023	SPACER
93-5265	MOUNT-ENGINE
93-5385	HOSE ASM
93-5431	TIRE (25X10.5-15) 6-PLY
93-5547	BUSHING-NYLON
93-5630	SPACER-BEARING, INNER
93-5957	CAP-RADIATOR
93-5961	BOOT-LEVER
93-5973	10IN FOAM FILLED WHEEL AS
93-5974	8 INCH FOAM FILLED WHEEL
93-5980	HUB
93-5988	HUB-PIVOT
93-6048	BRACKET-HOC, RH
93-6049	BRACKET-HOC, LH
93-6051	SCREW-HOC
93-6053-01	BEDBAR-STANDARD
93-6069	GRASS SHIELD ASM
93-6090	ARM-HOC
93-6212	FELT FILTER
93-6587	BEARING
93-6688	DECAL-DANGER
93-6689	DECAL-NO RIDERS
93-6696	DECAL-WARNING
93-6789	HOSE-HYD
93-6790	HOSE-HYD
93-6797	HOSE ASM
93-6838-03	HUB-WHEEL
93-6840	V-BELT
93-6841	PULLEY
93-6842	BUSHING-LOCK, TAPER
93-6850	LEVER-BRAKE

Part Number	Description
93-6855	HSG. WA - BEDBAR ADJ
93-6857	HOSE-SUCTION
93-6887	HOSE-HYD
93-6960	COVER-HOLDER, BEARING
93-6981	SPACER
93-7128	DRUM-BRAKE
93-7140	V-BELT-PUMP
93-7160	CAP-OIL, HYD
93-7486	CLAMP ASM
93-7498	PLUG-PLASTIC
93-7500	SPECIAL METRIC CAPSCR M10
93-7501	BUSHING ASM
93-7502	BUSHING-FLANGED
93-7510	RING-QUAD
93-7522	SCREW-HH
93-7629	PAD-FOOT, BRAKE
93-7630	PAD-FOOT
93-7631	PAD-FOOT, LIFT
93-7769	ROD-SUPPORT, FRAME
93-7775	BEARING-BALL
93-7818	DECAL-TORQUE, BLADE BOLT
93-8062	DECAL-BRAKE, PARKING
93-8063	DECAL-CAUTION, CE
93-8064	DECAL-DANGER, CE
93-8065	DECAL-TRACTION
93-8075	DECAL-MOW/LIFT
93-8409	BLADE - 22"
93-8457	V BELT-HEX
93-8584	SPARK PLUG
93-8626	SCREW ASM
93-8636	ELEMENT-FILTER, AIR
93-8637	ELEMENT-FILTER, AIR
93-8684	FILTER-FUEL
93-8806	WASHER-HARDENED
93-8823	COUPLER-MOTOR, REEL
93-8825	COUPLER-REEL, RH THREAD
93-8826	COUPLER-REEL, LH THREAD
93-8827	COUPLER-SPIDER
93-8849	REAR GRASS SHIELD ASM
93-9015	BEDKNIFE-LOWCUT
93-9017	ROD-BASKET, RH
93-9018	ROD-BASKET, LH
93-9039	WEIHLE ROLLER ASM
93-9043	WASHER-SPRING, BELLEVILLE
93-9045	WIEHLE ROLLER ASM (2.5 IN
93-9049-01	BEDBAR
93-9051	DECAL-BOLT, ECCENTRIC
93-9052	DECAL-DANGER
93-9078	DECAL-SAFETY
93-9151	FITTING-HYD
93-9164	INDICATOR-MINI
93-9774	BEDKNIFE (FAIRWAY)
93-9783	O-RING
93-9793	RING - SEAL
93-9794	RH BEARING HOUSING ASM
93-9795	LH BEARING HOUSING ASM
93-9879	DECAL-WARNING
93-9898	DECAL-LOCK
93-9901-01	BRACKET-LOCKOUT, MOW
93-9903	PIN-MOW, LOCKOUT

Part Number	Description	Part Number	Description
93-9904	ARM-MOW, LOCKOUT	94-5261	TIRE (20X10-10) 4-PLY RIB
93-9934	TRACTION HANDLE ASM	94-5350	FITTING-TEE
93-9936	BRACKET-RETURN, TRACTION	94-5357	HOSE ASM
93-9937	TRACTION CABLE ASM	94-5358	HOSE ASM
93-9938	WHEEL ASM	94-5381-01	CASTER FORK ASM
93-9939	TIRE	94-5383-01	CASTOR FORK ASM
93-9999	SWITCH-PTO	94-5586-01	BAR ASM-LIFT, LH ARM
94-0694	PREMIUM ROLLER ASM - 2 1/	94-5588-01	BAR ASM-LIFT, R/H
94-0695	TUBE ASM - REAR ROLLER	94-5780	SCREW-HWH
94-1291	BUSHING	94-5850	SPINDLE-DRUM
94-1304	CABLE-LOCK, NEUTRAL	94-5858	WASHER
94-1328	HOSE ASM	94-5870	CABLE-CLUTCH
94-1369	SPRING-EXTENSION	94-5879	BAR-CUT OFF
94-1374	TRUNNION-BRACKET, MOW	94-5885	BEDKNIFE-TOURNAMENT CUT(G
94-1375	TRUNNION-BRACKET, LOCK	94-5979	GASKET
94-1378	TUBE-PIVOT, HANDLE	94-6116	WHEEL-REAR
94-1382	COLLAR - HOC	94-6363	BEARING
94-1383	PEDAL-PIVOT	94-6368	BEARING
94-1386	SHAFT-PEDAL	94-6392	BEDKNIFE-HIGHCUT
94-1433	HYD HOSE ASM	94-6394	BEDKNIFE, TOURN-CUT, (GRE
94-1861-03	BLADE-24.75IN	94-6395	BEDKNIFE, LOWCUT, GR
94-2500	TUBE-SPACER, WHEEL	94-6396	BEDKNIFE, HIGHCUT,(GREENS
94-2621	ELEMENT-FILTER	94-6710	FUSE-2 AMP
94-2660	GASKET-FLANGE	94-6826	STRAINER-FUEL
94-2690	FILTER-FUEL	94-6936	WASHER-HARDENED
94-2694-01	COVER-RH	94-7227	FILTER
94-2701	WASHER-HARDENED	94-7372	ELEMENT-BRUSH, POLY
94-2702	BOLT-HH	94-8141	HYD CYLINDER ASM
94-2703	PLUG	94-8170	BRACKET-FRONT
94-2710	BEARING	94-8171	FRONT WIEHLE ROLLER ASM
94-2732	INSERT-THREADED, RH	94-8196	WASHER-NYLON
94-2733	INSERT-THREADED, LH	94-8197	TUBE-PIVOT
94-2738	SCREW- CARR SN,M8X1.25X25	94-8198	PIN
94-2747	TAB-STOP	94-8199	TUBE-PIVOT
94-2958	STUD/BALL	94-8693	WHEEL ASM
94-3256	BELT	94-8908	SEAL - GREASE
94-3405	BEARING-BALL	94-8936	BEDKNIFE, LC, EXT, RM (FA
94-3477	HYD HOSE ASM	94-8945	BUSHING
94-3489	SCREW-HH	94-9024	LAMP ASM
94-3559	SCREW-HSH	94-9202	SHAFT-DETHATCHER
94-3621	FRONT GRASS SHIELD ASM	94-9210	SHAFT-WHEEL, REAR
94-3695-01	PLATE-SIDE REEL, RH	94-9211	WHEEL ASM
94-3697-01	LH SIDE PLATE ASM	94-9213	COLLAR-SHAFT
94-3829	PIN-CLEVIS	94-9214	NUT-SPLINE, LH
94-3951	FILTER	94-9219	SCRAPER-ROLLER, RH
94-4208	HOURMETER	94-9220	SCRAPER-ROLLER, LH
94-4307	NUT-HEX, LOCK	94-9226	BRACKET-SCRAPER
94-4328	SHAFT - REAR ROLLER	94-9411	DIPSTICK
94-4329	SHAFT-FRONT ROLLER	94-9609	BUSHING-STRAIGHT
94-4335	TUBE ASM-REAR ROLLER	94-9610	BUSHING-FLANGE
94-4507	COUPLER-SPLINED	94-9611	HANDLE
94-4543	SPRING-WIRE, FLAT	94-9614	PIVOT-ROLLER
94-4544	SPACER	94-9617	PIN-SPRING
94-4548	BUMPER-RECESSED	94-9618	SPACER-SPRING
94-4969	REAR GRASS SHIELD ASM	94-9619	BUSHING
94-4982	FULL ROLLER ASM	94-9620	SPRING-TORSION
94-4993	WIEHLE ROLLER ASM (32" C/	94-9625	R.H. CARRIER ASM - GR3200
94-5053	FRONT GRASS SHIELD ASM	94-9648	BALL STUD
94-5079	BEDKNIFE-LOWCUT	95-0532	RUBBER BUSHING ASM
94-5236	TIRE	95-0550	MANIFOLD-EXHAUST

PARTS LIST

Part Number	Description
95-0551	TUBE-EXHAUST
95-0552	MUFFLER
95-0555	HOSE-SUCTION
95-0556-03	BASE-ENGINE
95-0559	TUBE-RH, REAR
95-0563	TUBE-LH
95-0564	TUBE-RH, FRONT
95-0568-01	BRACKET-BULKHEAD
95-0575	TUBE-VALVE, SHUTTLE
95-0576-03	BASE-TANK, FUEL
95-0577	FITTING-BULKHEAD
95-0582	HOSE-INTAKE, AIR
95-0584	ROD-CONTROL
95-0586	CLAMP ASM
95-0590-03	BASE-TANK, HYD
95-0591	HOSE-HYD
95-0592	HOSE ASM
95-0594	FITTING-CAP
95-0595	HOSE-HYD
95-0599	WIRE ASM
95-0600-01	FRAME ASM
95-0601-01	VALVE SHROUD ASM
95-0610	ENGINE COVER ASM
95-0611	BRACKET-RH
95-0612	BRACKET-LH
95-0620-01	STRIP-RETAINER
95-0621	WHEEL AND TIRE ASM
95-0625	ROD-TRAVERSE
95-0632-03	COVER
95-0636	LEVER-BRAKE
95-0637-03	PLATE-SEAT
95-0642	LOCKNUT-BULKHEAD
95-0643	TUBE-VALVE TO COOLER
95-0646	DECAL-SERVICE
95-0647	DECAL-CONTROL
95-0648	DECAL
95-0707	BEARING-ALIGNING, SELF
95-0728	BELT-DRIVE, POLY-V
95-0745	SCREW-TAPERED
95-0772	SPRING-COMPRESSION
95-0930	FULL ROLLER ASM
95-1629	HINGE-LOWER
95-1633	HOC ADJUST ASM
95-1634-01	FRAME-REEL ASM
95-1635-01	REEL FRAME ASM
95-1636	STRIP-SEAL
95-1638	BRACKET-REAR, HOC ADJUST
95-1642-01	WEIGHT-COUNTER
95-1653	SWITCH-POLE, SINGLE
95-1811	V-BELT
95-1828	HUB-GEAR, RING
95-2450	DIAPHRAM CAP 20PSI
95-2625	TIRE (18X8.5-10) 4-PLY
95-2638	TIRE (24X13-12) 4-PLY
95-2741	RIM-WHEEL, HALF
95-2789	NUT-CONE
95-2790	NUT-CONE, TALL
95-2793	NUT-ADJUSTMENT, BEARING
95-2903	ANGLE-BASKET SEAL
95-2907	HOSE ASM

Part Number	Description
95-2908	HOSE-HYD
95-2909	HOSE-HYD
95-2910	ROLLER ASM
95-2912	SHAFT-ROLLER
95-2932	BRACKET-PULLEY
95-2941-01	STEERING ARM
95-3070	BLADE & BELT KIT
95-3071	BLADE AND BELT KIT
95-3072	BLADE & BELT KIT
95-3073	KIT-BLADE AND BELT
95-3076	WHEEL KIT-CASTOR
95-3077	CASTER WHEEL KIT
95-3078	SPINDLE KIT - GM2XX 52"
95-3079	SPINDLE KIT
95-3081	KIT-SPINDLE
95-3082	10-INCH CASTER WHEEL KIT
95-3083	8-INCH CASTER WHEEL KIT
95-3084	CASTOR WHEEL KIT
95-3085	CASTER WHEEL SET KIT
95-3086	WHEEL SET KIT,72"RD
95-3087	BLADE & BELT KIT
95-3088	BLADE & BELT KIT
95-3089	LH SPINDLE ASM
95-3090	CENTER SPINDLE ASM
95-3091	SPINDLE KIT
95-3094	BLADE & BELT KIT
95-3095	RH SPINDLE ASM
95-3147	BEDKNIFE-MICRO CUT
95-3348	TIRE
95-3465	TIRE
95-3577	BUSHING
95-3703	WASHER-SPRING, WAVE
95-4256	SPRING-COMPRESSION
95-4356	FITTING
95-4387	SPINDLE SHAFT ASM - CTR
95-4389	KIT-OVERHAUL
95-5622	HANGER-RUBBER
95-5719	BLADE-GROOMER
95-5805	AIR CLEANER ASM
95-5806	BRACKET-MOUNTING
95-5807	SPACER
95-5817	FRONT SHIELD ASM
95-5825	WIRE ASM
95-5826	SHIELD-RUBBER
95-5833	GUIDE-LEVER
95-5840-03	SHIELD-BASE, SEAT
95-5942	ELEMENT-BRUSH, WIRE (OPTI
95-5943	ROLLER ASM
95-5946	SHAFT-ROLLER
95-5959-01	PULLEY SUPPORT ASM
95-5965	CABLE-STEERING
95-5966	HOSE-INLET, PUMP
95-5984	HOSE-HYD
95-5985	HOSE-HYD
95-5986	HYD HOSE ASM
95-5987	HOSE-HYD
95-5988	HOSE-HYD
95-5989	HOSE-HYD
95-6448	SPACER
95-7119	HOSE-LINE, RETURN

Part Number	Description	Part Number	Description
95-7140-01	TUBE CAP ASM	95-9225	NOZZLE SS .8GPM
95-7148	HOUSING-BEARING	95-9226	NOZZLE SS 1.5GPM
95-7149	PULLEY-STEERING, FRONT	95-9648	KNOB
95-7158	PIN-PIVOT	98-0152	KNOB-TAPERED
95-7497	BUSHING-WHEEL	98-0616	MUFFLER
95-7733-01	BRKT.- HOC, MACH.	98-0642	HYD HOSE REPLACEMENT KIT
95-8531	SHAFT-PIVOT, LIFTARM	98-0647	HOSE-HYD, TRACTION, RH (L
95-8568-03	FRAME-LOWER	98-0648	HYD HOSE ASM
95-8575	PIN-CLEVIS	98-0649	HOSE-HYD
95-8581	2-SPOOL CONTROL VALVE ASM	98-0668	NUT
95-8601	GEAR PUMP ASM	98-0917	ROD-PROP
95-8620	TANK-FUEL	98-0924-01	GUIDE-CHAIN
95-8689	SINGLE SPOOL CONTROL VALV	98-0925	BRACKET-CHAIN
95-8694	HYD MOTOR ASM	98-0973	PIN-GROOVED
95-8724-03	SCREEN-HOOD	98-0996	STEERING SHFT KIT-SANDPRO
95-8730	V-BELT	98-1450	RM5000 REAR ROLLER SCRAPE
95-8739-01	BEDBAR	98-1471	WHEEL-STEERING
95-8748-01	BEDBAR	98-1483	SCREW-LINK, PULL
95-8752	ARM-SPRING	98-2150	HOSE-HYD
95-8753-01	27 INCH REEL FRAME ASM	98-2153	HYD HOSE ASM
95-8755-01	REEL FRAME ASM	98-2160	VOLTMETER
95-8783	TUBE ASM	98-2161	CABLE-BATTERY, POSITIVE
95-8784	TUBE ASM	98-2178	SCREW - HSFH
95-8796-03	SUPPORT-BATTERY	98-2181	5 BLD REELHD GR3200 (FAIR
95-8802	PULLEY-IDLER	98-2194	SLEEVE-GREASE
95-8803	BUSHING-FLANGE	98-2196	ROD-SHIELD
95-8805	BUSHING	98-2330	PIVOT PIN ASM
95-8826	HOSE ASM	98-2389	SPACER-LINK, PULL
95-8827	HOSE ASM	98-2859	CASTOR WHEEL ASM
95-8828	HOSE ASM	98-2947	V-BELT - ALTERNATOR
95-8835	HOSE ASM	98-2982	FILTER-ELEMENT, SAFETY
95-8836	HOSE ASM	98-3551	GRASS SHIELD ASM
95-8837	HOSE ASM	98-3587-01	FRAME-DETHATCHER ASM
95-8840	HOSE ASM	98-3921	BELT
95-8843	HOSE-HYD	98-3999	FLAP-SIDE
95-8853	CABLE-BATTERY, POSITIVE	98-4166	BUSHING
95-8854	CABLE-BATTERY, NEGATIVE	98-4583	HYD HOSE ASM
95-8861	SLIDE	98-4584	HYD HOSE ASM
95-8884	CLAMP	98-4587	HYD HOSE ASM
95-8904-03	BRACKET-CLAMP	98-4590	HOSE-HYD
95-8905-01	FORK-REAR	98-4639	BEARING-CONE
95-8933-03	PLATE-MOUNT, PUMP	98-4871	BUSHING-TENSION
95-8934	RADIATOR	98-5208	BEARING-ROLLER
95-8971	GAUGE-FUEL	98-5215	BEARING-BALL, RADIAL
95-8972	GROMMET	98-5918	GRASS SHIELD ASM
95-8979	SHAFT	98-5920-01	SCRAPER-WIEHLE ASM
95-8980	TUBE ASM	98-5933	BAR-CUT OFF
95-8981	TUBE ASM	98-7068-01	CASTOR FORK ASM
95-8982	TUBE ASM	98-7257	SCRAPER ASM (WELDED)
95-8990	SHAFT-PIVOT, REAR	98-7260	BEDKNIFE-TOURNAMENT CUT
95-8999	SWITCH	98-7261	BEDKNIFE-MICROCUT
95-9185	CLAMP	98-7264	WIEHLE ROLLER-WIDE .43" (
95-9186	CAP	98-7300-01	FORK-CASTOR ASM
95-9188	NOZZLE SS 1.GPM	98-7302-01	FORK-CASTOR
95-9191	O-RING	98-7312	12 INCH WHEEL ASM
95-9193	CAP-DIAPHRAM	98-7313	TIRE-12 INCH
95-9221	NOZZLE SS .2GPM	98-7400	HOSE ASM
95-9222	NOZZLE SS .4GPM	98-7401	HOSE ASM
95-9223	NOZZLE SS .5GPM	98-7402	HOSE ASM
95-9224	NOZZLE SS .6GPM	98-7403	HOSE ASM

PARTS LIST

Part Number	Description
98-7404	HOSE ASM
98-7406	HOSE ASM
98-7407	HOSE ASM
98-7408	HOSE ASM
98-7410	HOSE ASM
98-7413	HOSE ASM
98-7419	ELEMENT-BREATHER
98-7612	FILTER-FUEL
98-7693	ALTERNATOR ASM
98-7705	V-BELT
98-7769	STUD
98-7912	TUBE-SPANNER
98-7913	TUBE-SPACER
98-7921-01	FORK-CASTOR ASM
98-7966	ROLLER ASM-2 1/2 DIA
98-7978	FRONT GRASS SHIELD ASM
98-8153	HOSE-RETURN
98-8159	PIVOT
98-8173	PIN-PIVOT, AXLE
98-8676	DECAL-CAUTION
98-8677-01	INSERT-STANDARD
98-8687	DECAL-PRESSURE, AIR
98-8688	DECAL-CAUTION
98-8690	HUB ASM
98-8691	WHEEL ASM
98-8754	LATCH-RAMP
98-8756	SPACER-STOP
98-8759	HINGE-ROD
98-8761-01	GUIDE-WHEEL
98-8766-01	AXLE ASM
98-8775	MAT-RAMP
98-8776	MAT-BED
98-8777	SPACER
98-9305	WATER / FUEL FILTER ASM
98-9311	SWIVEL-THROTTLE
98-9416	SWITCH-OIL
98-9493	ELEMENT-BREATHER
98-9676	V-BELT
98-9705	STARTER ASM
98-9764	ELEMENT
99-0815	O-RING - DUST SEAL, VITON
99-0853	NOZZLE FILTERS 50 MESH
99-1091	TIRE
99-1268	CASTOR WHEEL ASM
99-1283	SPACER
99-1291	SPACER
99-1297	IDLER ARM ASM
99-1453	CARRIER ASM - CENTER
99-1454	CARRIER ASM - LH
99-1456	PAD-UNIT, CUTTING
99-1460	BALL JOINT RECEIVER ASM
99-1469	HOSE-RADIATOR
99-1611	SHAFT
99-1612	BLADE-SPIKER
99-1613	SPACER
99-1615	REAR ROLLER ASM
99-1635	SPACER
99-1637-01	PLATE-SCRAPER
99-1644	DASH SHROUD ASM
99-2022	BELT

Part Number	Description
99-2023	BELT-DRUM
99-2047	BUSHING
99-2079	SPACER
99-2087	SPACER
99-2093	NUT-ADJUSTER, BEDBAR
99-2096	SCREW-ADJUSTER, BEDBAR
99-2097	DETENT
99-2098	WASHER
99-2318	V-BELT
99-2996	TIRE
99-3139	NUT
99-3373	BAR-SUPPORT, SLIDE
99-3404	HOUSING-BEARING
99-3412-03	PULLEY
99-3439	HOSE ASM
99-3472	WEIGHT-LEAD
99-3478	TREAD-FOOT
99-3514	COVER
99-3545	SPACER
99-3619	BELT-3V
99-3620	PULLEY-3V, PUMP
99-3623-03	ARM-IDLER
99-3624	SHAFT-PIVOT, IDLER
99-3626	PULLEY-3V
99-3631	BUSHING-FLANGE
99-3641	CLAMP-TUBE
99-3757	COUPLING-FLEX
99-3767	NUT-LOCK, BEARING
99-3773	BOLT-PLOW
99-3782	SCREW-HOC
99-3792	BRACKET-ROLLER, REAR
99-3794-03	BEDBAR-AGGRESSIVE
99-3801	SEAL-OIL
99-3841	ROLLER-FULL, ALUMINUM
99-3842	SEAL-OIL, NON-VENTED GRBX
99-4072	SPACER
99-4103	SHIELD ASM-REAR
99-4109	SPACER
99-4115	FRONT LIFT FRAME ASM
99-4116	REAR LIFT FRAME ASM
99-4126	CENTER LIFT ARM ASM
99-4152	DEFLECTOR-REEL, LH
99-4182-01	LH CLEVIS ASM
99-4183-01	RH CLEVIS ASM
99-4201	TUBE-SPACER
99-4208	SHROUD-CONSOLE
99-4209	SHAFT-ROLLER
99-4210	ROLLER-ANTI SCALP
99-4212	LH LIFT ARM ASM
99-4213	RH LIFT ARM ASM
99-4243	BUSHING-FLANGE
99-4248	SPACER
99-4258	RH LINK BRACKET ASM
99-4260	LH LINK BRACKET ASM
99-4270	EXTENSION-ARM, PULL
99-4500	SEAL-GREASE
99-4502	HUB
99-4503	CAP-GREASE
99-4504	PLUG-CAP, GREASE
99-4505	WASHER

Part Number	Description	Part Number	Description
99-4506	TIRE	99-9156	BELT-V
99-4507	RIM	99-9209	ALTERNATOR
99-4508	NUT-CASTLE	99-9770	BELT-V
99-4509	WASHER-TANG	99-9771	BELT-V
99-4543-01	TONGUE-TRAILER	99-9827	CUP-SCALP, ANTI
99-5107	NUT-LOCK	AU218-5106	FITTING-ELB 90
99-5432	RIM	GVA15201	AIR CLEANER ELEMENT (22.5
99-5434	TIRE	GVA15205	OIL FILTER (22.5 HP ROBIN
99-5493	PULLEY-IDLER	H292327	BLADE PLASTIC
99-5501	BRAKE CABLE ASM	KW10676	SPARK PLUG
99-5608-03	SPRING-TORSION, RH	SBC17000	V-BELT
99-5609-03	SPRING-TORSION, LH	SG148154	SPRING ASM
99-5614	HYD HOSE ASM	SG148160	SPRING ASM
99-5617	SLEEVE-PROTECTIVE	SG481512	SPRING-COMPRESSION
99-5621	GUIDE-HOSE	SG482016	WIRE-BAR, DRAW
99-5648	SLEEVE-PROTECTIVE	SG482017	WIRE-BAR, DRAW
99-5652	BRAKE ASM & LEVER	SG487054	3 WIRE SPRING ASM
99-5653	RH HOC WA & SCREW	SG487255	WIRE-DRAW BAR
99-5654	LH HOC WA & SCREW	SG487256	WIRE-DRAW, SPRING
99-5672	NUT-BEARING ADJ.	SG487257	SPRING-COMPRESSION
99-5678	IDLER PULLEY ASM	SG487275	SPRING-COIL
99-5748	SHAFT-ROLLER	SG487276	DRAW BAR-WIRE
99-5749	FULL ROLLER ASM	SG487277	BAR-DRAW, ANTI-CROSS LOOP
99-6193	HOSE ASM	SG487278	SPRING ASM
99-6216	ROLLER-WIEHLE	SG715802	ADAPTER SLEEVES (SR75)
99-6240	WIEHLE ROLLER ASM	SGA08313	SLEEVE-ADAPTER
99-6241	WIEHLE ROLLER ASM (.20 IN	SGA10375	54/70 ADAPT. SLEEVE FOR
99-6858	BRACKET-HOC, UPDATE KIT	SGA12375	48/72 ADAPT. SLEEVE FOR 3
99-6964	BUSHING-AXLE	SGC05550	TINE ASM-SIDE EJECT
99-6969	SEAL-OIL, WHEEL END	SGC07624	TINE ASM-SIDE EJECT
99-7133	V-BELT-STARTER	SGC07625	TINE ASM-SIDE EJECT
99-7140	SPRING-TORSION	SGC07750	TINE ASM-SIDE EJECT
99-7143	BELT-DRIVE	SGC07754	TINE ASM-SIDE EJECT
99-7144	BELT-DRIVE	SGC08100H	TINE ASM-SIDE EJECT
99-7214	PAWL-BRAKE	SGC08123	TINE ASM-SIDE EJECT
99-7300	TIRE(20X10-8) 4-PLY	SGC08125	TINE ASM-SIDE EJECT
99-7420	PLUG-HOLE	SGC10100H	TINE ASM-SIDE EJECT
99-7430	RELAY-MINI 280	SGC10100S	TINE ASM-SIDE EJECT
99-7435	RELAY	SGC10750	TINE ASM-SIDE EJECT
99-7532	BEARING-ROLLER, TAPER	SGC10754	TINE ASM-SIDE EJECT
99-7534	BEARING-BALL	SGC10755	TINE ASM-SIDE EJECT
99-7570	BEARING-ROLLER, TAPER	SGC10813H	TINE ASM-SIDE EJECT
99-7963-03	PEDAL-PARK	SGC12123	TINE ASM-SIDE EJECT
99-8150	CONTROL-THROTTLE	SGC12125	TINE ASM-SIDE EJECT
99-8162	KIT-REPAIR, SEAL	SGS07313	TINE-SOLID 5/16" X 8.50"
99-8163	SEAL KIT	SGS08313	TINE-SOLID 5/16" X 10"
99-8168	COLLAR-HOC	SGS08375	TINE-SOLID 3/8" X 9.00"
99-8193	RADIATOR	SGS08500	TINE-SOLID 12MM X 8.00"
99-8343	GASKET-MUFFLER	SGS10374	TINE-SOLID 3/8" X 10.75"
99-8351	FILTER-FUEL, INLINE	SGS10375	TINE-SOLID 3/8" X 12.15"
99-8358	ELEMENT KIT	SGS10500	TINE-SOLID 12MM X 12.20"
99-8432	WASHER-THRUST	SGS10504	TINE-SOLID 12MM X 10.75"
99-8611	SPACER	SGS10750	TINE-SOLID 18MM X 12.25"
99-8661	ROD-SPRING	SGS10875	TINE-SOLID 7/8" X 12.50"
99-8662	TUBE-SPRING	SGS10876	TINE-SOLID 7/8" X 12.43"
99-8664	SCREW-HH	SGS12500	TINE-SOLID 12MM X 14.25"
99-8675	SHOULDER ROLLER ASM	SGS12750	TINE-SOLID 18MM X 14.25"
99-8686	WIEHLE ROLLER ASM	SGS12875	TINE-SOLID 7/8" X 14.00"
99-8693	ROD-SUPPORT	SGS12876	TINE-SOLID 7/8" X 14.00"
99-8698-01	BEDBAR	SGS14500	TINE-SOLID 12MM X 16.18"

PARTS LIST

Part Number	Description
SGS14750	TINE-SOLID 18MM X 16.25"
SGS14875	TINE-SOLID 7/8" X 16.00"
SGS14876	TINE-SOLID 7/8" X 15.75"
SGS16100	TINE-SOLID 1.00" X 17.88"
SGT05550	TINE ASM
SGT07625	TINE ASM
SGT07750	TINE ASM
SGT08100H	TINE ASM
SGT08125	TINE ASM
SGT10100H	TINE ASM
SGT10100S	TINE-ASM
SGT10750	TINE ASM
SGT10813H	TINE ASM
SGT12125	TINE ASM
SVB13600	V-BELT
SVB14520	RETURN LINE FILTER



ALITEC

MOTORENHANDEL
UND -SERVICE GESELLSCHAFT M. B. H.

A-3040 NEULENGBACH
MARKERSDORF 106
TEL.: +43 / 2772 / 54 028
FAX: +43 / 2772 / 54 028 22
EMAIL: alitec@alitec.at
WEB: www.alitec.at

F.Nr. 127622f | UID Nr. ATU14787202



WHEN WE SAY **COUNT ON IT**, WE MEAN IT

Every product that carries the Toro brand is backed by over 100 years of history, innovation and timeless dependability. We never stop investing in research and development to give our customers the latest features. That's why Toro is one of the best-known, most trusted brands in the business. We also stand behind our products with a global network of knowledgeable dealers for parts and service support. **Real People. Real Support.**

Smart Features. Proven Dependability.



Count on it.



toro.com
Worldwide Headquarters
The Toro Company
8111 Lyndale Ave. So.
Bloomington, MN 55420 U.S.A.
Phone: (1) 952 888 8801
Fax: (1) 952 887 8258

©2019 The Toro Company.
All Rights Reserved.
19-801-GB

Products depicted in this literature are for demonstration purposes only. Actual products offered for sale may vary in use, design, required attachments and safety features. We reserve the right to improve our products and make changes in specifications, design and standard equipment without notice and without incurring obligation. See your distributor for details on all our warranties.



facebook.com/ToroCompany
twitter.com/TheToroCompany
youtube.com/ToroCompanyEurope