

Built with the most advanced technology
Built to commercial CCTV equipment standards
Built to perform beyond the most demanding specification

L154-81C4

DVR and 4 Cameras Included

Component Video Security Systems built with the most advanced technology. Built to commercial CCTV equipment standards. Built to perform beyond the most demanding specification. DVR and 4 Cameras Included. Easily connects to your TV or Monitor. Another 1st from LOREX... the professional choice for SECURITEE.

Component Surveillance System

with Digital Video Recorder and Four Color Cameras



FEATURES:

DVR

- Professional 4 channel DVR (time lapse VCR replacement)
- Includes removable 80GB Hard Drive for up to 2250 Hrs of recording
- Rapid search and playback (time, date, event)
- Includes remote control
- MJPEG compression (5-20KB file size)
- Password protection
- Supports 2 HDD for a maximum capacity of 500 GB

CAMERAS

- 1/4" CCD advanced image sensor produces video with 350 TV Lines and 270K pixels
- Advanced Day / Night mode: Picture automatically switches camera to B&W delivering better clarity in low light conditions**
- 12 IR LEDs provides effective night vision range of 15 ft(5M)
- Ceiling or Wall Mountable: Versatile Camera Stand allows the camera to be mounted on the Wall or Ceiling
- Weather resistant camera housing ideal for outdoor or indoor applications (IP65)*

* Not for use in direct exposure to water, rain or snow.

** IR night time low light illumination range up to 15 ft. (5M) under ideal conditions. Objects at or beyond this range may be partially or completely obscured, depending on the camera application.

www.lorexcctv.com

Easily connects to your TV or Monitor



Built with the most advanced technology
 Built to commercial CCTV equipment standards
 Built to perform beyond the most demanding specification

L154-81C4

DVR and 4 Cameras Included

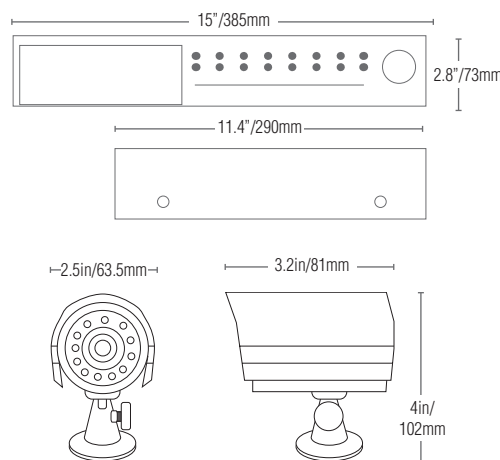
Specifications:

DVR:		CAMERA:	
Hard Disk Storage:	IDE Type, UTMA 66 above (supports 2 HDD - up to 250GB each)	Image Sensor:	1/4" Interline transfer type color CCD
Camera support:	4 analog CCTV	Effective Pixels (NTSC):	510H x 492V (270K)
Video Compression:	Modified MJPEG (5~20 Kbyte/frame)	Resolution:	Horizontal 350 TV lines
Video Resolution up to:	720 x 480	Shutter Speed (NTSC):	1/60 ~ 1/10,000 sec.
Recording Resolution up to:	640 x 224 (full screen)	S/N Ratio:	More than 48dB (AGC off)
Record Modes:	Alarm External / Timer / Manual	Sync. System:	Internal
Camera inputs:	4 BNC Video inputs	Min. Illumination:	1.0 LUX (without LED) / 0.1 LUX (with LED)
Video output:	2 RCA Video outputs	White Balance:	AWB
Alarm history log:	1000 events	Video Output:	VBS 1.0 Vp-p (75 Ω load)
Security Protection:	Password protection	Lens:	Fixed Lens (6mm)
Display refresh rate:	30 FPS NTSC, 25 FPS PAL	Power Consumption:	100mA (without LED) / 180 mA (with LED)
Record refresh rate:	30 FPS NTSC, 25 FPS PAL	Operating Temp:	14F to 113F (-10°C ~ +45°C)
Video loss detection:	Yes	Weather Proof Rating:	IP65
On Screen display:	Yes	Operating Humidity:	90% RH max.
HDD Key Lock:	Yes	Connection type:	BNC
Playback Searching:	Date & Time / Full list Searching		
Alarm input:	TTL input, High (5V), Low (GND)		
Alarm output:	COM / N.O / N.C		
Power source:	AC100-240V switching adaptor		
Power consumption:	25W		
Dimension:	385(W) X 73(H) X 290(D) mm		
Weight:	5 kg		
Operating temperature:	0°C - 50°C		

Product Information:

Model#:	L154-81C4
Description:	4 Channel Digital Video Recorder with 4 CCD Color Day/Night Cameras
UPC:	7 78597 15483 2
Package Weight:	20 lbs / 9 kgs
Package Dimensions:	(L x D x H) 20" x 15.75" x 9.75" / 510mm x 400mm x 248mm
Package Cube:	1.65ft/ 0.046m

Dimensions:



Lorex Technology Inc.

300 Alden Road, Markham,
 Ontario L3R 4C1
 Canada.

3700 Koppers Street, Suite 504
 Baltimore, Maryland 21227,
 USA.

©2007 Lorex Technology Inc.

As our product is subject to continuous improvement, Lorex Technology & subsidiaries reserve the right to modify product design, specifications & prices without notice and without incurring any obligation. E&OE

Easily connects to your TV or Monitor