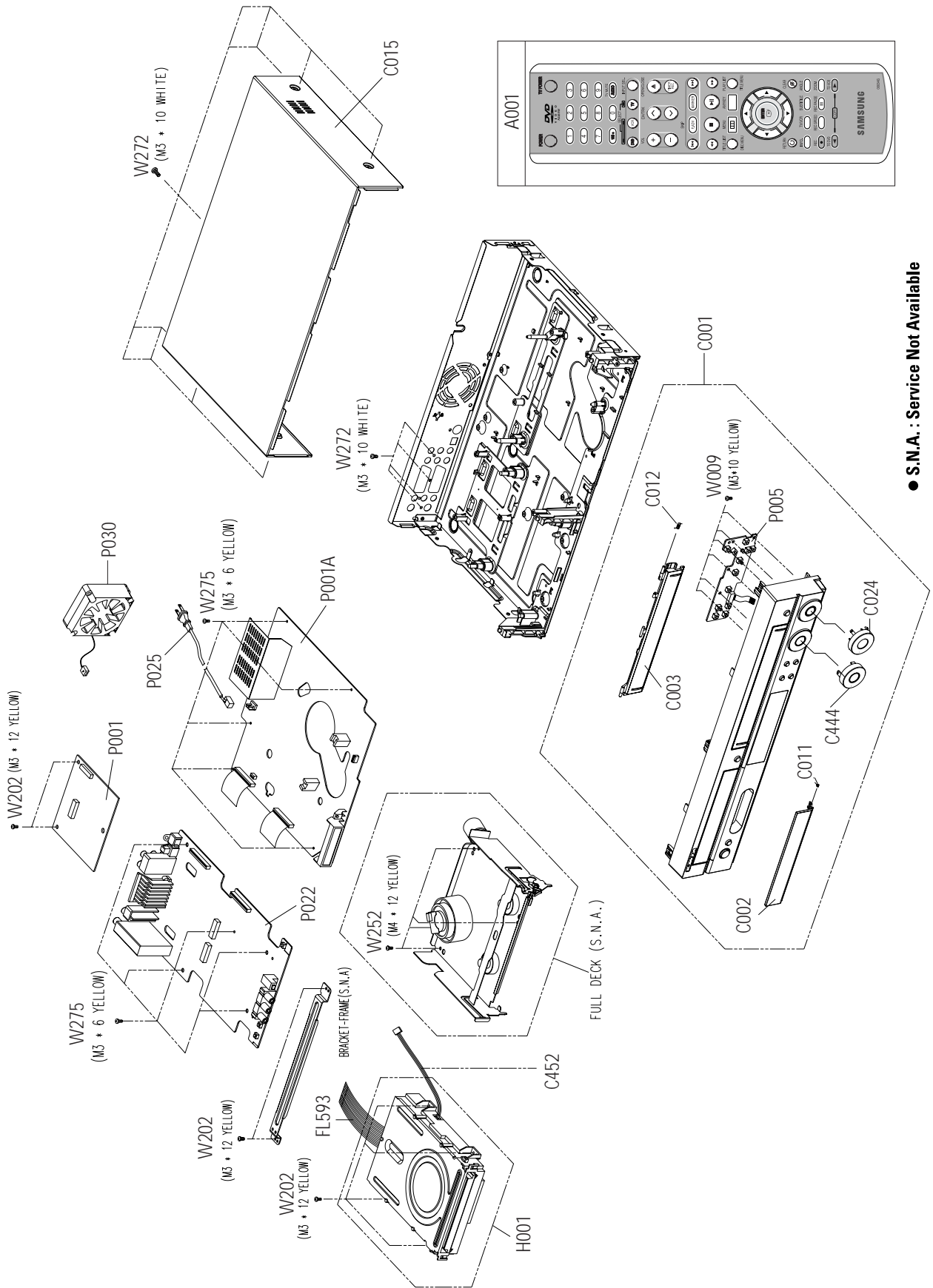

7. Exploded View and Parts List

7-1 Cabinet Assembly	7-2
7-2 VCR Mechanical Parts (Top Side)	7-4
7-3 VCR Mechanical Parts (Bottom Side)	7-6

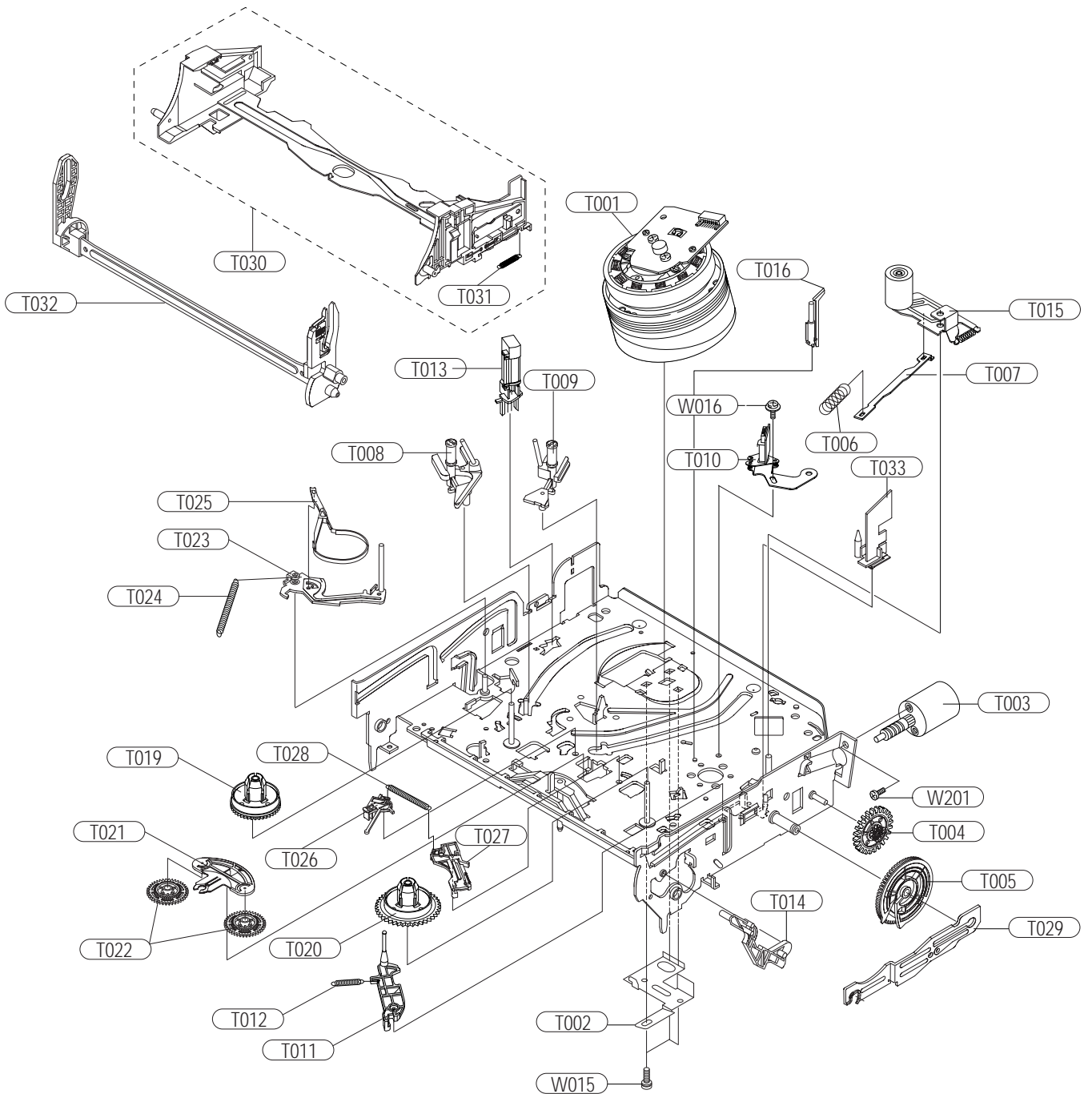
7-1 Cabinet Assembly



● S.N.A. : Service Not Available

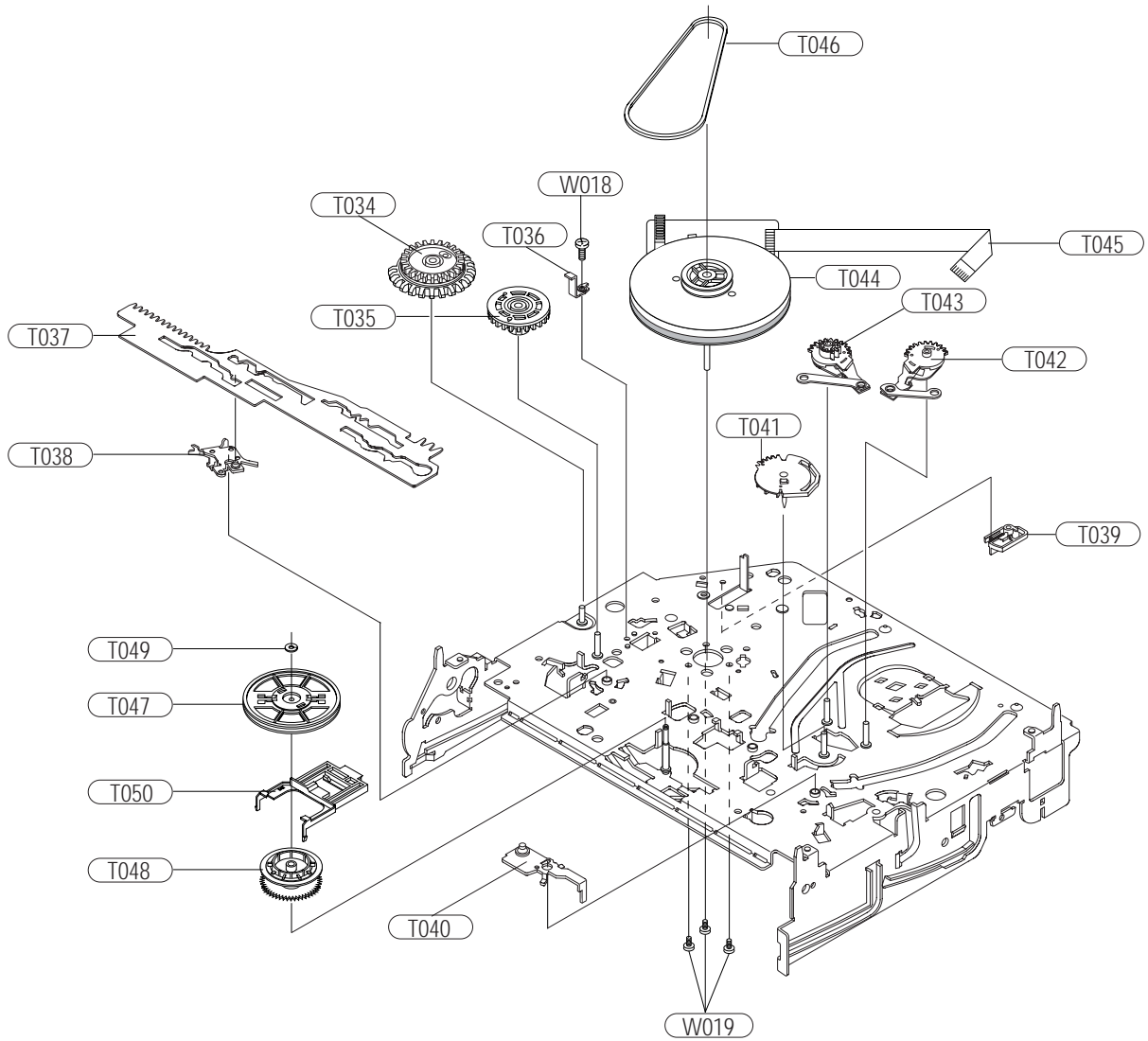
Loc. No	Parts No.	Description ; Specification	Q'ty	S.N.A	Remark
A001	AK59-00034N	REMOCON-ASSY;DVD-VR320/XEG,SEC,210*55,-	1	SA	
C001	AK97-01200D	ASSY-PANEL FRONT;HIPS94HB GRAY,DVD-VR32	1	SA	U.K Only
	AK97-01200C	ASSY-PANEL FRONT;HIPS94HB GRAY,DVD-VR32	1	SA	CIS Only
	AK97-01200B	ASSY-PANEL FRONT;HIPS94HB GRAY,DVD-VR32	1	SA	XEF/XEB/SED Only
	AK97-01200H	ASSY-PANEL FRONT;HIPS94HB GRAY,DVD-VR32	1	SA	Other Only
C002	AK64-01078A	DOOR-TRAY;DVD-VR320,ABS94HB,T2.0,H26.5,	1	SA	
C003	AK64-01077D	DOOR-CASSETTE;DVD-VR320/XEU,ABS94HB,T2.	1	SA	U.K Only
	AK64-01077C	DOOR-CASSETTE;DVD-VR320/XEV,ABS94HB,T2.	1	SA	CIS Only
	AK64-01077B	DOOR-CASSETTE;DVD-VR320/XEF,ABS94HB,T2.	1	SA	XEF/XEB/SED Only
	AK64-01077H	DOOR-CASSETTE;DVD-VR320/XEG,ABS94HB,T2.	1	SA	Other Only
C011	AK64-00334A	DOOR-SPRING;DVD-V3500,SWPB,,,,,-,,	1	SA	
C012	AC61-62032A	SPRING ETC-MASK;SV-C130,SUS,4.4,-,-,-,-	1	SA	
C015	AK64-01073A	CABINET-TOP;DVD-VR320,TEXTURE,T0.525,W5	1	SA	
C024	AK64-01088A	BUTTON-FUNCTION;DVD-VR320,ABS94,40*40,M	1	SA	
C444	AK64-01085A	BUTTON-SELECT;DVD-VR320,ABS 94,50*40,HB	1	SA	
C452	AK39-00049A	LEAD CONNECTOR;-,-,-,4,150,WHT,-,SMH200	1	SA	
FL593	3809-001702	FFC CABLE-FLAT;30V,80C,290mm,40P,0.5mm,	1	SA	
H001	AK97-01211A	ASSY-ASSY LOADER DRIVE;-,-,SV-R250,ASSY L	1	SA	
P001	AK92-00683A	ASSY PCB-MAIN;DVD-VR320/XEF,DVD Recorde	1	SA	
P001A	AK92-00666C	ASSY PCB-VCR;DVD-VR320E/XEV,DVD Recorde	1	SA	CIS Only
	AK92-00666A	ASSY PCB-VCR;DVD-VR320E/XEF,DVD Recorde	1	SA	XEF/XEB/SED Only
	AK92-00666E	ASSY PCB-VCR;DVD-VR320/XER,DVD Recorder	1	SA	Eastern Europe Only
	AK92-00666D	ASSY PCB-VCR;DVD-VR320/XEU,DVD Recorder	1	SA	Other Only
P005	AK94-00054A	ASSY SORT-FUNCTION;DVD-VR320/XAA,K2 R-C	1	SA	
P022	AK92-00667A	ASSY PCB-JACK;DVD-VR320E/XEF,DVD Record	1	SA	XEF/XEB/SED Only
	AK92-00667C	ASSY PCB-JACK;DVD-VR320E/XEV,DVD Record	1	SA	Eastern Europe/CIS Only
	AK92-00667D	ASSY PCB-JACK;DVD-VR320/XEU,DVD Recorde	1	SA	Other Only
P025	3903-000175	CBF-POWER CORD;AT,GB,GP2,HOUSING(2P),25	1	SA	U.K Only
	3903-000176	CBF-POWER CORD;AT,EU,CP2,HOUSING(2P),25	1	SA	Other Only
P030	3103-001152	FAN-DC;DC 12.0V,110mA,1700rpm,0.581m^	1	SA	
W009	6003-000276	SCREW-TAPTITE;BH,+ ,B,M3,L10,ZPC(YEL),SW	6	SA	
W202	6003-000277	SCREW-TAPTITE;BH,+ ,B,M3,L12,ZPC(YEL),SW	8	SA	
W252	AC60-12126A	SCREW-MACHINE;-,-,FE,FZY,BH,-,-,4*12,-,	4	SA	
W272	6003-001464	SCREW-TAPTITE;BH,+ ,B,M3,L10,ZPC(WHT)	10	SA	
W275	6003-001561	SCREW-TAPTITE;BH,+ ,WT,B,M3,L6,ZPC(YEL),	10	SA	

7-2 VCR Mechanical Parts (Top Side)



Loc. No	Parts No.	Description ; Specification	Q'ty	S.N.A	Remark
T001	AC97-02537A	ASSY-CYLINDER;6SA,CX11A-DS,SECAM 6HD	1	SA	
T002	AC70-00002A	PLATE-GND DECK;X-11,SPT,E,T0.3,-,-,-,-	1	SA	
T003	AC31-00018A	MOTOR-LOADING ASSY;-,-,SCORPIO2(TS-10A),-	1	SA	
T004	AC66-00008A	GEAR-WORM WHEEL;TS-10,POM,0.8,40,-,NAT,3	1	SA	
T005	AC66-00011A	GEAR-FL CAM;TS-10,POM,0.8,59,-,BLK,48.48	1	SA	
T006	AC61-00105A	SPRING ETC-PINCH DRIVE;TS-10,SUS304-WPB,	1	SA	
T007	AC61-30180A	PLATE-JOINT;X-9,SECC20/20,T0.8,-,-,-,-	1	SA	
T008	AC66-80142A	SLIDER-SUPPLY ASSY;X-9,SUS,-,-,-,-,SIL,-	1	SA	
T009	AC66-80141A	SLIDER-TAKE UP ASSY;X-9,SUS,-,-,-,-,SIL,-	1	SA	
T010	AC97-02517A	ASSY-HEAD ACE;ASSY-HEAD ACE,DX11A,DX11A	1	SA	
T011	AC66-00074A	LEVER-GUIDE(#9);TS-9,PPS,-,-,-,-,BLK,KHA	1	SA	
T012	AC61-60553A	SPRING ETC-GUIDE 9;X-9,SUS304-WPB,0.25,-	1	SA	
T013	AC33-00015A	HEAD-FE;HVFHP0050A,PBT3300,2PIN,NATURA	1	SA	
T014	AC66-00083A	LEVER-FL DOOR;X-11,POM(K300),-,-,-,-,BLU	1	SA	
T015	AC97-02293A	ASSY-UNIT PINCH;SECC+SUS304,TS-10,FOR X-	1	SA	
T016	AC97-02215A	ASSY-POST #8 GUIDE;SUS303+POM(M90-44)EQ,	1	SA	
T019	AC66-10267A	REEL-DISK S;X-9,POM,-,-,-,-,-	1	SA	
T020	AC66-10268A	REEL-DISK T;X-9,POM,-,-,-,-,-	1	SA	
T021	AC66-30524A	LEVER-IDLER;-,-,POM,-,-,-,-,BLK,-	1	SA	
T022	AC66-00039A	GEAR-IDLE;TS-10,PET K3372,0.5,-,-,-,NTR,28	2	SA	
T023	AC66-00035A	LEVER-TENSION ASS'Y;TS-10,SECC E20/20+SU	1	SA	
T024	AC61-00107A	SPRING ETC-TENSION LEVER;TS-10,SUS304-WP	1	SA	
T025	AC69-00104A	BAND-BRAKE ASS'Y;TS-10,-,-,-,-,-	1	SA	
T026	AC66-30550A	LEVER-S.BRAKE ASSY;-,-,POM+SUS,-,-,-,-,X-9	1	SA	
T027	AC66-30549A	LEVER-T.BRAKE ASSY;-,-,POM+SUS,-,-,-,-,X-9	1	SA	
T028	AC61-00106A	SPRING ETC-BRAKE;TS-10,SUS304-WPB,-,-,-,-	1	SA	
T029	AC66-00020A	SLIDER-FL DRIVE;TS-10,SECC ,T1.0,-,-,-,SIL	1	SA	
T030	AC97-02323A	ASSY-HOLDER FL CASSETTE;SECC+POM,X-11,Fo	1	SA	
T031	AC61-60561A	SPRING ETC-FL.LEVER-LR;X-9,SUS304 WPB,OD	1	SA	
T032	AC97-02324A	ASSY-LEVER FL ARM;SECC+POM,X-11,For X-11	1	SA	
T033	AC61-50658A	GUIDE-CASS. DOOR;X-9,POM,-,-,-,-,NTR	1	SA	
W015	6006-001092	SCREW-MACHINE;WS,PH,+ ,M3.0,L6.0,ZPC(YEL)	3	SA	
W016	6006-001154	SCREW-TAPTITE;WSP,PH,+ ,M2.6,L5.6,ZPC(YEL)	1	SA	
W201	6001-001711	SCREW-MACHINE;PH,+ ,M3,L3.3,ZPC(YEL)	1	SA	

7-3 VCR Mechanical Parts (Bottom Side)



Loc. No	Parts No.	Description ; Specification	Q'ty	S.N.A	Remark
T034	AC66-00076A	GEAR-JOINT 1;X-11,POM(K300),-,-,BLUE,-	1	SA	
T035	AC66-00077A	GEAR-JOINT 2;X-11,POM(K300),-,-,BLUE,-	1	SA	
T036	AC61-00338A	BRACKET-GEAR;X-11,SECC,T0.8,W20,L20,NTR,	1	SA	
T037	AC66-00075A	SLIDER-CAM;X-11,SECC ,T1.2,-,-,SIL,-	1	SA	
T038	AC66-00017A	LEVER-PINCH DRIVE;TS-10,SECC E20/20,1.0	1	SA	
T039	AC70-00003A	HOOK-CAPSTAN;-,-,L10,W10,H10,POM(M90-44)	1	SA	
T040	AC66-00016A	LEVER-TENSION DRIVE;TS-10,SECC E20/20,1	1	SA	
T041	AC66-00078A	GEAR-LOADING DRIVE;X-11,POM(K300),-,-,-,	1	SA	
T042	AC97-02195A	ASSY-LEVER LOADING S;SECC+POM+SUS,X-11,F	1	SA	
T043	AC97-02196A	ASSY-LEVER LOADING T;SECC+POM+SUS,X-11,F	1	SA	
T044	3101-001419	MOTOR-CAPSTAN;-,-,12V,90mA	1	SA	
T045	3809-001270	CABLE-FLAT;30V,80C,140MM,10P,1.25MM,UL28	1	SA	
T046	AC66-60051A	BELT-PULLEY;-,-,5CM-70,2 * 2,-,-,71.3,-,X-9	1	SA	
T047	AC61-21012A	HOLDER-CLUTCH ASSY;X-9,ABS,-,-,-,BLK,-	1	SA	
T048	AC66-20581A	GEAR-CENTER ASSY;X-9,POM,M=0.5,-,-,GRY,-	1	SA	
T049	AC60-30306A	FASTENER-WASHER SLIT;-,-,ID2.1,OD5.0,T0.	1	SA	
T050	AC66-00006A	LEVER-UP DOWN;TS-10,POM,-,-,-,NAT,-	1	SA	
W018	6003-001450	SCREW-TAPTITE;PH,+ ,S,M2.6,L5,ZPC(YEL)	1	SA	
W019	6003-000108	SCREW-TAPTITE;BH,+ ,B,M2.6,L6,ZPC(YEL),SW	3	SA	

MEMO