



Electromechanical components

## WALL-MOUNT ENCLOSURES

GL66 SERIES



[ REDEFINING STANDARD ]

[ SOLUTIONS FOR AUTOMATION & CONTROL DEVICES:  
SINGLE DOOR WITH 2 LOCKS ]



**INDUSTRY STANDARDS**

Solid hinged cover models.  
Mounting brackets required to meet  
UL/CSA external mounting requirements.

UL 508A listed; Type 4, 12; File No. E61997  
cUL Listed per CSA C22. 2 No. 94; Type 4, 12; File No. E61997

NEMA/EEMAC Type 4, 12, 13  
CSA, File No. 42186: Type 4, 12  
IEC/EN62262 IK9  
IEC 60529, IP66  
IEC 62208



**APPLICATION**

- Automotive
- Packaging
- Material handling
- Tool and machine

**SCOPE OF DELIVERY**

- Enclosure with hinged door
- Gland plate(s), supplied loose (for items with gland plate)
- Mounting plate, supplied loose (for items with mounting plate)
- Assembly kit
- Installation instruction

**FEATURES**

- Reversible right-to-left, side-hinged door with simple, easy-to-remove and -install hinge pins
- 210 degree opening door that is easily removed by pulling clip-style hinge pins
- Quarter-turn latch with 3 mm double-bit insert
- Furnished hardware kit includes solid washers for wall-mounting, key hole plugs

**SPECIFICATIONS**

- Mild steel construction with doors thickness 1,5 to 2,0 mm and body thickness 1,2 or 1,5 mm
- External formed body flange
- Seamless foam-in-place gasket
- Grounding studs system
- Conductive panel available integrated as an option or as an accessory
- Solution with gland plate
- Weatherproof paint available on request

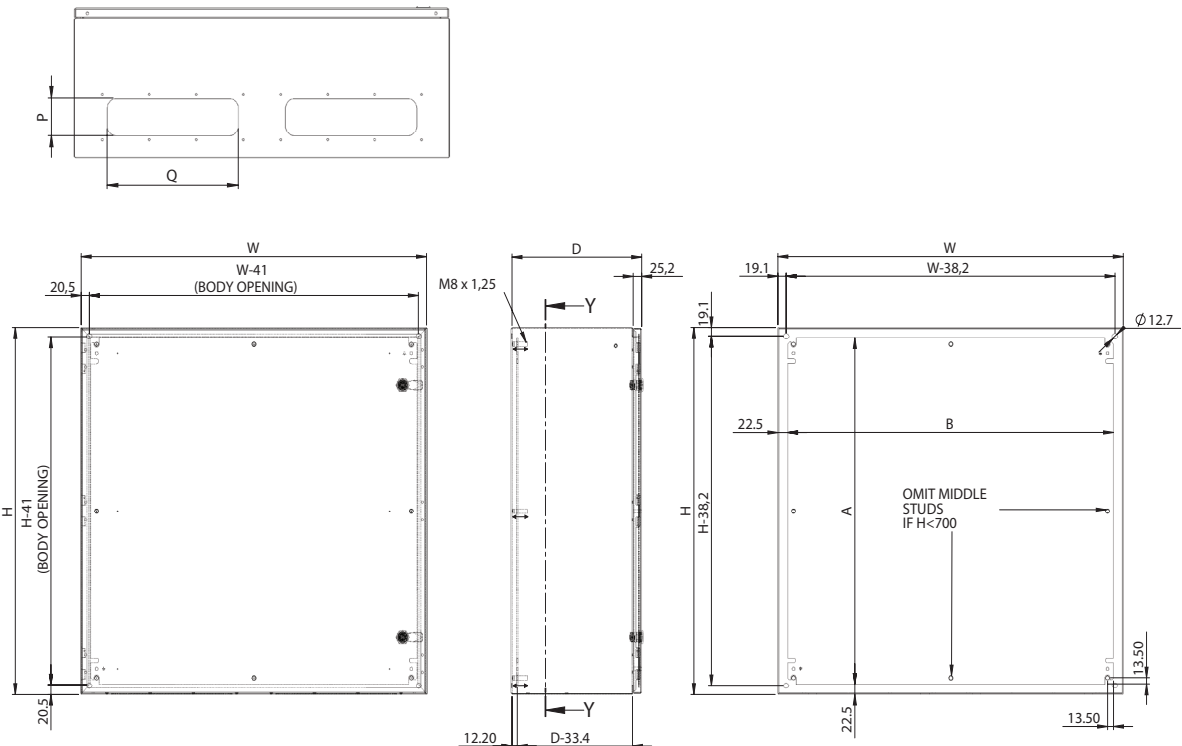
**FINISH**

- RAL 7035 textured light-gray polyester powder paint

For product specific accessories, please go to the end of each subsection.  
For other general accessories, please refer to the chapter "Accessories".

STANDARD PRODUCT

Item number	Description	H [mm]	W [mm]	D [mm]	Door thickness [mm]	Body thickness [mm]	Gland Plate			Conductive mounting plate Item number	Solution with mounting plate included Item number
							Type	P [mm]	Q [mm]		
M300200120E	GL66 mild steel, hinged cover	300	200	120	1.2	1.2	-	-	-	M300P200GE	M300200120PE
M300200150E	GL66 mild steel, hinged cover	300	200	150	1.2	1.2	-	-	-	M300P200GE	M300200150PE
M300250150E	GL66 mild steel, hinged cover	300	250	150	1.2	1.2	-	-	-	M300P250GE	M300250150PE
M300250210GE	GL66 mild steel, hinged cover	300	250	210	1.2	1.2	A	100	180	M300P250GE	M300250210GPE
M300300120E	GL66 mild steel, hinged cover	300	300	120	1.2	1.2	-	-	-	M300P300GE	M300300120PE
M300300210GE	GL66 mild steel, hinged cover	300	300	210	1.2	1.2	A	100	180	M300P300GE	M300300210GPE
M300400120E	GL66 mild steel, hinged cover	300	400	120	1.2	1.2	-	-	-	M400P300GE	M300400120PE
M300400210GE	GL66 mild steel, hinged cover	300	400	210	1.2	1.2	B	100	280	M400P300GE	M300400210GPE
M350300210GE	GL66 mild steel, hinged cover	350	300	210	1.2	1.2	A	100	180	M350P300GE	M350300210GPE
M400300150E	GL66 mild steel, hinged cover	400	300	150	1.2	1.2	-	-	-	M400P300GE	M400300150PE
M400300210GE	GL66 mild steel, hinged cover	400	300	210	1.2	1.2	A	100	180	M400P300GE	M400300210GPE
M400400210GE	GL66 mild steel, hinged cover	400	400	210	1.2	1.2	B	100	280	M400P400GE	M400400210GPE
M400600210GE	GL66 mild steel, hinged cover	400	600	210	1.2	1.2	C	100	380	M600P400GE	M400600210GPE
M400600350GE	GL66 mild steel, hinged cover	400	600	350	1.2	1.2	C	100	380	M600P400GE	M400600350GPE
M500400210GE	GL66 mild steel, hinged cover	500	400	210	1.2	1.2	B	100	280	M500P400GE	M500400210GPE
M500500210GE	GL66 mild steel, hinged cover	500	500	210	1.2	1.2	C	100	380	M500P500GE	M500500210GPE
M500500250GE	GL66 mild steel, hinged cover	500	500	250	1.2	1.2	C	100	380	M500P500GE	M500500250GPE
M500500300GE	GL66 mild steel, hinged cover	500	500	300	1.2	1.2	C	100	380	M500P500GE	M500500300GPE
M600400210GE	GL66 mild steel, hinged cover	600	400	210	1.2	1.2	B	100	280	M600P400GE	M600400210GPE
M600400350GE	GL66 mild steel, hinged cover	600	400	350	1.2	1.2	B	100	280	M600P400GE	M600400350GPE
M600500150E	GL66 mild steel, hinged cover	600	500	150	1.5	1.5	-	-	-	M600P500GE	M600500150PE
M600600210GE	GL66 mild steel, hinged cover	600	600	210	1.5	1.5	C	100	380	M600P600GE	M600600210GPE
M600600250GE	GL66 mild steel, hinged cover	600	600	250	1.5	1.5	C	100	380	M600P600GE	M600600250GPE
M600600300GE	GL66 mild steel, hinged cover	600	600	300	1.5	1.5	C	100	380	M600P600GE	M600600300GPE
M600600350GE	GL66 mild steel, hinged cover	600	600	350	1.5	1.5	C	100	380	M600P600GE	M600600350GPE
M600800300GE	GL66 mild steel, hinged cover	600	800	300	2.0	1.5	2xB	100	280	M800P600GE	M600800300GPE
M700500250GE	GL66 mild steel, hinged cover	700	500	250	1.5	1.5	C	100	380	M700P500GE	M700500250GPE
M760600350GE	GL66 mild steel, hinged cover	760	600	350	2.0	1.5	C	100	380	M760P600GE	M760600350GPE
M800600210GE	GL66 mild steel, hinged cover	800	600	210	2.0	1.5	C	100	380	M800P600GE	M800600210GPE
M800600350GE	GL66 mild steel, hinged cover	800	600	350	2.0	1.5	C	100	380	M800P600GE	M800600350GPE
M800800210GE	GL66 mild steel, hinged cover	800	800	210	2.0	1.5	2xB	100	280	M800P800GE	M800800210GPE
M800800300GE	GL66 mild steel, hinged cover	800	800	300	2.0	1.5	2xB	100	280	M800P800GE	M800800300GPE
M800400300GE	GL66 mild steel, hinged cover	800	400	300	1.5	1.5	B	100	280	M800P400GE	M800400300GPE
M800600250GE	GL66 mild steel, hinged cover	800	600	250	2.0	1.5	C	100	380	M800P600GE	M800600250GPE
M800600400GE	GL66 mild steel, hinged cover	800	600	400	2.0	1.5	C	100	380	M800P600GE	M800600400GPE
M800800225GE	GL66 mild steel, hinged cover	800	800	225	2.0	1.5	2xB	100	280	M800P800GE	M800800225GPE
M1000600250GE	GL66 mild steel, hinged cover	1000	600	250	2.0	1.5	C	100	380	M1000P600GE	M1000600250GPE
M1000600400GE	GL66 mild steel, hinged cover	1000	600	400	2.0	1.5	C	100	380	M1000P600GE	M1000600400GPE
M1000800300GE	GL66 mild steel, hinged cover	1000	800	300	2.0	1.5	2xB	100	280	M1000P800GE	M1000800300GPE
M1000800400GE	GL66 mild steel, hinged cover	1000	800	400	2.0	1.5	2xB	100	280	M1000P800GE	M1000800400GPE
M1200800300GE	GL66 mild steel, hinged cover	1200	800	300	2.0	1.5	2xB	100	280	M1200P800GE	M1200800300GPE



[ SOLUTIONS FOR AUTOMATION & CONTROL DEVICES:  
OVERLAPPING DOORS WITH THREE-POINT LOCKING SYSTEM ]



**INDUSTRY STANDARDS**

Solid 2-door models.  
*Mounting brackets required to meet  
UL/CSA external mounting requirements.*

UL 508A listed; Type 12; File No. E61997  
cUL Listed per CSA C22. 2 No. 94; Type 12; File No. E61997

NEMA/EEMAC Type 12  
CSA, File No. 42186: Type 12  
IEC/EN62262 IK9  
IEC 60529, IP55  
IEC 62208



**APPLICATION**

- Automotive
- Packaging
- Material handling
- Tool and machine

**SCOPE OF DELIVERY**

- Enclosure with hinged door
- Gland plate(s), supplied loose (for items with gland plate)
- Mounting plate, supplied loose (for items with mounting plate)
- Assembly kit
- Installation instruction

**FEATURES**

- Hinged cover type is designed for automation and control devices
- Three-point locking system
- Quarter-turn latch with 3 mm double-bit insert
- Furnished hardware kit includes solid washers for wall-mounting, key hole plugs

**SPECIFICATIONS**

- Mild steel solution with doors thickness 2,0 mm and body thickness 1,5 or 2,0 mm
- Seamless, foam-in-place gasket
- Grounding studs system
- Solution with gland plate
- Weatherproof paint available on request

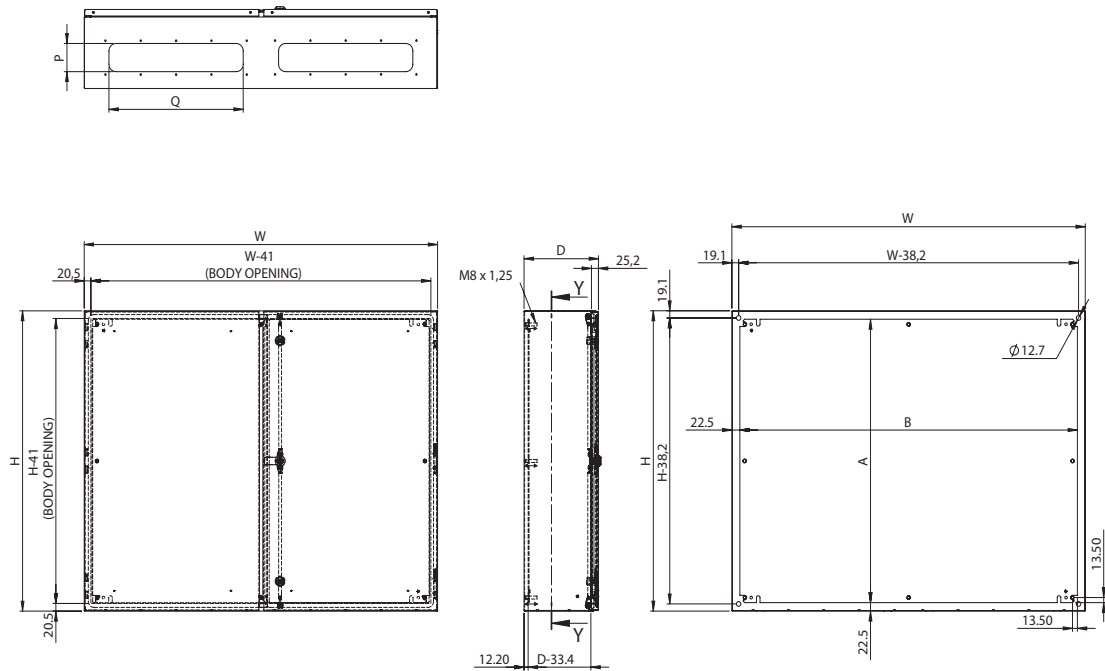
**FINISH**

- RAL 7035 textured light-gray polyester powder paint

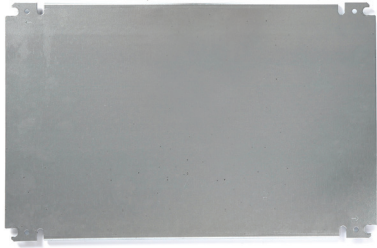
*For product specific accessories, please go to the end of each subsection.  
For other general accessories, please refer to the chapter "Accessories".*

STANDARD PRODUCT

Item number	Description	H [mm]	W [mm]	D [mm]	Door thickness [mm]	Body thickness [mm]	Gland Plate			Conductive mounting plate Item number	Solution with mounting plate included Item number
							Type	P [mm]	Q [mm]		
M8001000210GE	GL66 MS HC 800H1000W210D	800	1000	210	2.0	1.5	2xC	100	380	M1000P800GE	M8001000210GPE
M8001000300GE	GL66 MS HC 800H1000W300D	800	1000	300	2.0	1.5	2xC	100	380	M1000P800GE	M8001000300GPE
M10001000300GE	GL66 MS HC 1000H1000W300D	1000	1000	300	2.0	2.0	2xC	100	380	M1000P1000GE	M10001000300GPE
M10001200300GE	GL66 MS HC 1000H1200W300D	1000	1200	300	2.0	2.0	2xC	100	380	M1200P1000GE	M10001200300GPE
M12001000300GE	GL66 MS HC 1200H1000W300D	1200	1000	300	2.0	2.0	2xC	100	380	M1200P1000GE	M12001000300GPE
M12001000400GE	GL66 MS HC 1200H1000W400D	1200	1000	400	2.0	2.0	2xC	100	380	M1200P1000GE	M12001000400GPE
M12001200400GE	GL66 MS HC 1200H1200W400D	1200	1200	400	2.0	2.0	2xC	100	380	M1200P1200GE	M12001200400GPE
M14001000300GE	GL66 MS HC 1400H1000W300D	1400	1000	300	2.0	2.0	2xC	100	380	M1400P1000GE	M14001000300GPE
M14001000400GE	GL66 MS HC 1400H1000W400D	1400	1000	400	2.0	2.0	2xC	100	380	M1400P1000GE	M14001000400GPE
M14001200400GE	GL66 MS HC 1400H1200W400D	1400	1200	400	2.0	2.0	2xC	100	380	M1400P1200GE	M14001200400GPE



[ MOUNTING PLATE ]



Item number	Description	Thickness [mm]	A [mm]	B [mm]
M300P300GE	MPL for GL66 HC size 300x300mm	2	255	255
M400P300GE	MPL for GL66 HC size 400x300mm	2	355	255
M400P400GE	MPL for GL66 HC size 400x400mm	2	355	355
M500P400GE	MPL for GL66 HC size 500x400mm	2	455	355
M500P500GE	MPL for GL66 HC size 500x500mm	2	455	455
M600P400GE	MPL for GL66 HC size 600x400mm	2.5	555	355
M600P500GE	MPL for GL66 HC size 600x500mm	2.5	555	455
M600P600GE	MPL for GL66 HC size 600x600mm	2.5	555	555
M700P500GE	MPL for GL66 HC size 700x500mm	2.5	655	455
M760P600GE	MPL for GL66 HC size 760x600mm	2.5	715	555
M800P400GE	MPL for GL66 HC size 800x400mm	2.5	755	355
M800P600GE	MPL for GL66 HC size 800x600mm	2.5	755	555
M800P800GE	MPL for GL66 HC size 800x800mm	2.5	755	755
M1000P600GE	MPL for GL66 HC size 1000x600mm	2.5	955	555
M1000P800GE	MPL for GL66 HC size 1000x800mm	2.5	955	755
M1000P1000GE	MPL for GL66 size 1000x1000mm	2.5	955	955
M1200P1000GE	MPL for GL66 size 1200x1000mm	2.5	1155	955
M1200P1200GE	MPL for GL66 size 1200x1200mm	2.5	1155	1155
M1400P1000GE	MPL for GL66 size 1400x1000mm	2.5	1355	1355

[ GLAND PLATE ]



Provide a removable cable egress and entry plate while maintaining IP/UL/CSA integrity of the enclosure. RAL 7035 textured light-gray polyester powder paint finish inside and outside. Foam-in-place gasket, fasteners and instruction provided. Maintains IP66/UL/CSA Type 4 and 12 when properly installed.

Item number	Description	P [mm]	Q [mm]	Type
GGP150260E	Gland plate for wallmount GL66 HC	100	180	A
GGP150360E	Gland plate for wallmount GL66 HC	100	280	B
GGP150460E	Gland plate for wallmount GL66 HC	100	380	C

[ DOOR BARS ]



Item number	Description	H [mm]	L [mm]
ADB300E	Door bar for GL66 HC	300	238
ADB400E	Door bar for GL66 HC	400	338
ADB500E	Door bar for GL66 HC	500	438
ADB600E	Door bar for GL66 HC	600	538
ADB700E	Door bar for GL66 HC	700	638
ADB800E	Door bar for GL66 HC	800	738
ADB1000E	Door bar for GL66 HC	1000	938

Two bars in one set

[ DOOR STOP KIT ]



Enclosures must have a "W" dimension of 400 mm or more. Door stop kit can be mounted at the top or bottom of the door opening after drilling two small holes in the body of the enclosure and two small holes in the door. The angle of the door is easily adjusted by means of a wingnut, and the stop arm slides neatly out of the way when the door is closed. Maintains IP66/UL/CSA Type 4 and 12 when properly installed.

Item number	Description
ADSTOPK	Door stop kit for GL66 HC mild steel

[ DOUBLE-BIT KEY ]



Black non-metallic 3 mm double-bit key

Item number	Description
GKEY3MMDB	Set of two 3 mm black, non-metallic

[ MOUNTING-BRACKET ]



Mounting-bracket kits are field-installable. Set of four (4) brackets. Mounting brackets are required to maintain UL/CSA external mounting requirement.

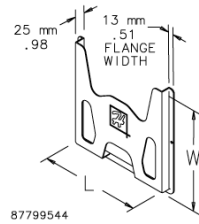
Item number	Description
CMFK	Set of 4 steel mounting brackets for GL66 HC
CMTGFT	Set of 4 composite mounting brackets for GL66 HC

[ DATA POCKET ]



Data Pockets provide convenient storage for wiring diagrams, operation manuals and other documentation inside an enclosure. Constructed of high-impact thermoplastic, pockets are dark gray and have cutout areas for easy access and visibility to contents. Delivered with self-adhesive tape for mounting option without welded studs.

Item number	Description
ADP1	Small pocket 152 x 152 mm
ADP2	Large pocket 305 x 305 mm



[ GROUNDING KIT ]

Grounding Kit provides means to attach a grounding conductor to the enclosure. Kit includes two insulated copper wires with a ring terminal at each end, all installation hardware and instructions.

Item number	Description
12516000	Grounding kit Packs of 5 pc. Cu wires, green/yellow.

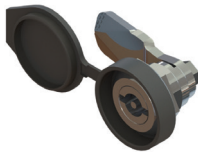
[ LOCK INSERTS ]



Lock inserts are field-installable. Zinc plated material and different key locking systems provide maximum protection for your equipment.

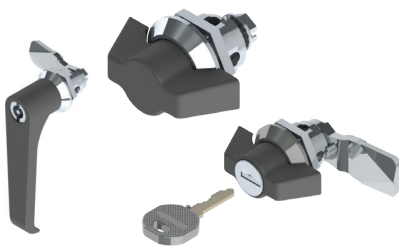
Item number.	Description
MKSM7	Insert square 7 mm
MKT8	Insert triangle 8 mm
MKDB5	Insert double bit 5 mm
MKSLOT	Insert slotted

[ DUST CUP ]



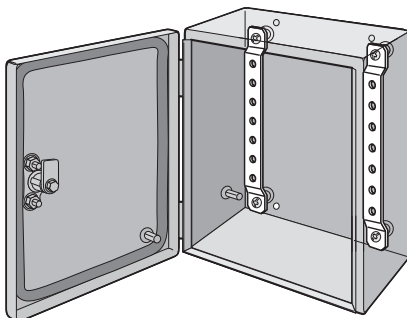
Item number.	Description
MKDUST	Dust cap for 1/4 – turn latches

[ HANDLES ]



Item number.	Description
MKWN	Wing Knob – non locking
MKWNKEY	Wing Knob – keyed EK 333
MKLN	L-Handle with 3 mm double bit insert

[ DIN RAIL MOUNTING KIT ]



Item number	Description	H or W of enclosure [mm]
MMK15E	DIN moun.brackets for GL66 hinged cover	150
MMK20E	DIN moun.brackets for GL66 hinged cover	200
MMK25E	DIN moun.brackets for GL66 hinged cover	250
MMK30E	DIN moun.brackets for GL66 hinged cover	300
MMK35E	DIN moun.brackets for GL66 hinged cover	350
MMK40E	DIN moun.brackets for GL66 hinged cover	400
MMK50E	DIN moun.brackets for GL66 hinged cover	500
MMK60E	DIN moun.brackets for GL66 hinged cover	600
MMK70E	DIN moun.brackets for GL66 hinged cover	700
MMK80E	DIN moun.brackets for GL66 hinged cover	800
MMK100E	DIN moun.brackets for GL66 hinged cover	1000
MMK120E	DIN moun.brackets for GL66 hinged cover	1200



[ SOLUTIONS FOR TERMINAL INSTALLATIONS: SMALL SIZES, SCREW COVER ]



**INDUSTRY STANDARDS**

Solid screw cover models.

*Mounting brackets required to meet*

*UL/CSA external mounting requirements.*

UL 508A listed; Type 3, 4, 12; File No. E61997  
cUL Listed per CSA C22. 2 No. 94; Type 3, 4, 12; File No. E61997

NEMA/EEMAC Type 4 and 12  
CSA, File No. 42186: Type 4, 12,  
IEC 60529, IP66  
IEC/EN62262 IK9  
IEC 62208



**APPLICATION**

- Automotive
- Packaging
- Material handling
- Tool and machine

**SCOPE OF DELIVERY**

- Enclosure
- Cover
- Assembly kit
- Installation instruction

**FEATURES**

- Integral compression stops maintain optimal gasket compression
- Furnished hardware kit includes solid washers for wall-mounting, hole plugs

**SPECIFICATIONS**

- Mild steel solution constructed from doors thickness 1,2 mm; and body thickness 1,0 mm; 1,2 mm;
- Seamless foam-in-place gasket
- Front cover with captivated M5 screws
- Grounding studs system
- Weatherproof paint available on request

**FINISH**

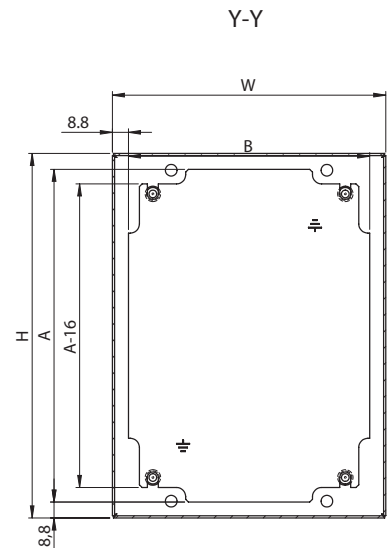
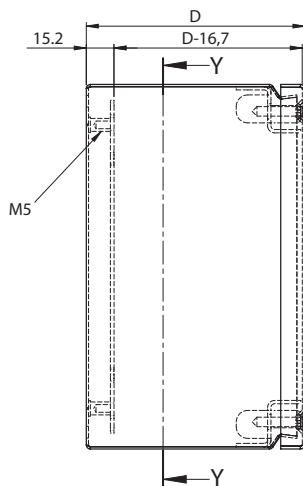
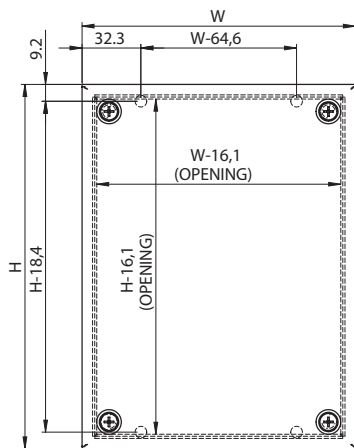
- RAL 7035 textured light-gray polyester powder paint

*For product specific accessories, please go to the end of each subsection.  
For other general accessories, please refer to the chapter "Accessories".*



STANDARD PRODUCT

Item number	Description GL66 SC Wallmount Mild Steel Enclosure	H [mm]	W [mm]	D [mm]	Door thickness [mm]	Body thickness [mm]	Conductive mounting plate	Solution with mounting plate included
MSC15015080E	150H150W80D	150	150	80	1.2	1	MSC150P150GE	MSC15015080PE
MSC150150120E	150H150W120D	150	150	120	1.2	1	MSC150P150GE	MSC150150120PE
MSC15020080E	150H200W80D	150	200	80	1.2	1	MSC200P150GE	MSC15020080PE
MSC150200120E	150H200W120D	150	200	120	1.2	1	MSC200P150GE	MSC150200120PE
MSC15030080E	150H300W80D	150	300	80	1.2	1	MSC300P150GE	MSC15030080PE
MSC150300120E	150H300W120D	150	300	120	1.2	1	MSC300P150GE	MSC150300120PE
MSC150400120E	150H400W120D	150	400	120	1.2	1	MSC400P150GE	MSC150400120PE
MSC200150120E	200H150W120D	200	150	120	1.2	1	MSC200P150GE	MSC200150120PE
MSC20020080E	200H200W80D	200	200	80	1.2	1	MSC200P200GE	MSC20020080PE
MSC200200120E	200H200W120D	200	200	120	1.2	1	MSC200P200GE	MSC200200120PE
MSC20030080E	200H300W80D	200	300	80	1.2	1	MSC300P200GE	MSC20030080PE
MSC200300120E	200H300W120D	200	300	120	1.2	1	MSC300P200GE	MSC200300120PE
MSC20040080E	200H400W80D	200	400	80	1.2	1	MSC400P200GE	MSC20040080PE
MSC200400120E	200H400W120D	200	400	120	1.2	1	MSC400P200GE	MSC200400120PE
MSC200500120E	200H500W120D	200	500	120	1.2	1.2	MSC500P200GE	MSC200500120PE
MSC20060080E	200H600W80D	200	600	80	1.2	1.2	MSC600P200GE	MSC20060080PE
MSC200600120E	200H600W120D	200	600	120	1.2	1.2	MSC600P200GE	MSC200600120PE
MSC200800120E	200H800W120D	200	800	120	1.5	1.2	MSC800P200GE	MSC200800120PE
MSC300200150E	300H200W150D	300	200	150	1.2	1.2	MSC300P200GE	MSC300200150PE
MSC300250150E	300H250W150D	300	250	150	1.2	1.2	MSC300P250GE	MSC300250150PE
MSC300250200E	300H250W200D	300	250	200	1.2	1.2	MSC300P250GE	MSC300250200PE
MSC300300120E	300H300W120D	300	300	120	1.2	1.2	MSC300P300GE	MSC300300120PE
MSC300400120E	300H400W120D	300	400	120	1.2	1.2	MSC400P300GE	MSC300400120PE
MSC300500120E	300H500W120D	300	500	120	1.2	1.2	MSC500P300GE	MSC300500120PE
MSC300600120E	300H600W120D	300	600	120	1.2	1.2	MSC600P300GE	MSC300600120PE
MSC350300200E	350H300W200D	350	300	200	1.2	1.2	MSC350P300GE	MSC350300200PE
MSC400300150E	400H300W150D	400	300	150	1.2	1.2	MSC400P300GE	MSC400300150PE
MSC400400120E	400H400W120D	400	400	120	1.2	1.2	MSC400P400GE	MSC400400120PE
MSC400600120E	400H600W120D	400	600	120	1.2	1.2	MSC600P400GE	MSC400600120PE
MSC400800120E	400H800W120D	400	800	120	1.2	1.2	MSC800P400GE	MSC400800120PE



[ SOLUTIONS FOR TERMINAL INSTALLATIONS:  
SMALL SIZES, ONE LOCK SYSTEM ]



**INDUSTRY STANDARDS**

Solid hinged cover models.  
Mounting brackets required to meet  
UL/CSA external mounting requirements.

UL 508A listed; Type 3, 4, 12; File No. E61997  
cUL Listed per CSA C22. 2 No. 94; Type 3, 4, 12; File No. E61997

NEMA/EEMAC Type 4 and 12  
CSA, File No. 42186: Type 4, 12  
IEC/EN62262 IK9  
IEC 60529, IP66  
IEC 62208



**APPLICATION**

- Automotive
- Packaging
- Material handling
- Tool and machine

**SCOPE OF DELIVERY**

- Enclosure with hinged door
- Mounting plate, supplied loose (for items with mounting plate)
- Assembly kit
- Installation instruction

**FEATURES**

- Hinged cover type is designed for terminals installation
- Quarter-turn latch with 3 mm double-bit insert
- Furnished hardware kit includes solid washers for wall-mounting, hole plugs

**SPECIFICATIONS**

- Mild steel solution with doors thickness 1,2 mm and body thickness 1,0 or 1,2 mm
- Seamless, foam-in-place gasket
- Grounding studs system
- Solution without gland plate
- Weatherproof paint available on request

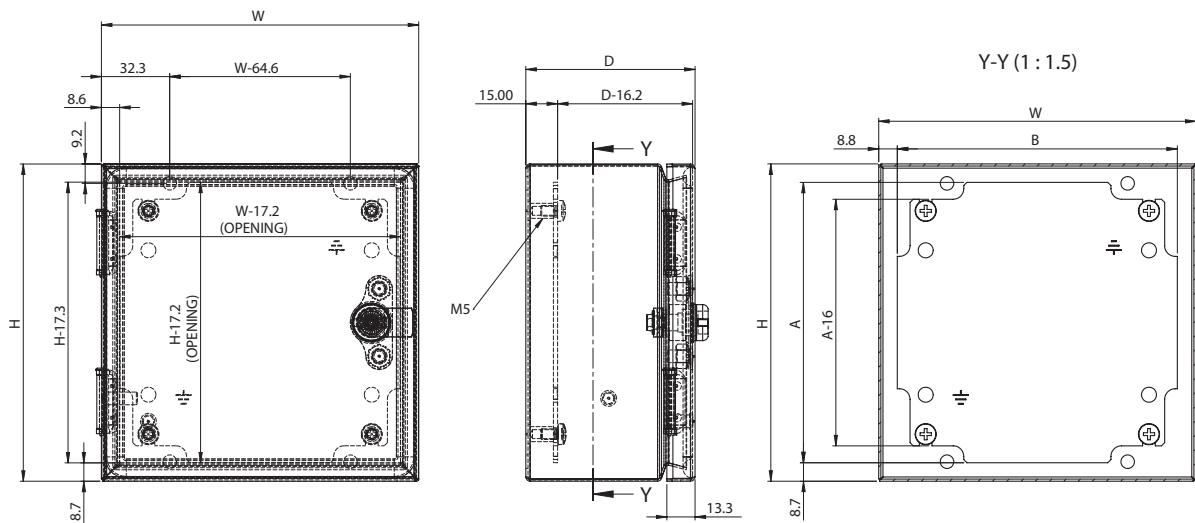
**FINISH**

- RAL 7035 textured light-gray polyester powder paint

For product specific accessories, please go to the end of each subsection.  
For other general accessories, please refer to the chapter "Accessories".

STANDARD PRODUCT

Item number	Description	H [mm]	W [mm]	D [mm]	Door thickness [mm]	Body thickness [mm]	Conductive mounting plate Item number	Solution with mounting plate included Item number
MHC15015080E	GL66 mild steel, hinged cover	150	150	80	1.2	1	MSC150P150GE	MHC15015080PE
MHC150150120E	GL66 mild steel, hinged cover	150	150	120	1.2	1	MSC150P150GE	MHC150150120PE
MHC200150120E	GL66 mild steel, hinged cover	200	150	120	1.2	1	MSC200P150GE	MHC200150120PE
MHC20020080E	GL66 mild steel, hinged cover	200	200	80	1.2	1	MSC200P200GE	MHC20020080PE
MHC200200120E	GL66 mild steel, hinged cover	200	200	120	1.2	1	MSC200P200GE	MHC200200120PE
MHC250200150E	GL66 mild steel, hinged cover	250	200	150	1.2	1	MSC250P200GE	MHC250200150PE
MHC30015080E	GL66 mild steel, hinged cover	300	150	80	1.2	1	MSC300P150GE	MHC30015080PE
MHC300150120E	GL66 mild steel, hinged cover	300	150	120	1.2	1	MSC300P150GE	MHC300150120PE
MHC30020080E	GL66 mild steel, hinged cover	300	200	80	1.2	1	MSC300P200GE	MHC30020080PE
MHC300200120E	GL66 mild steel, hinged cover	300	200	120	1.2	1.2	MSC300P200GE	MHC300200120PE
MHC300250150E	GL66 mild steel, hinged cover	300	250	150	1.2	1.2	MSC300P250GE	MHC300250150PE
MHC300250200E	GL66 mild steel, hinged cover	300	250	200	1.2	1.2	MSC300P250GE	MHC300250200PE
MHC300300120E	GL66 mild steel, hinged cover	300	300	120	1.2	1.2	MSC300P300GE	MHC300300120PE
MHC300300150E	GL66 mild steel, hinged cover	300	300	150	1.2	1.2	MSC300P300GE	MHC300300150PE
MHC300300210E	GL66 mild steel, hinged cover	300	300	210	1.2	1.2	MSC300P300GE	MHC300300210PE
MHC300400210E	GL66 mild steel, hinged cover	300	400	210	1.2	1.2	MSC400P300GE	MHC300400210PE
MHC350300200E	GL66 mild steel, hinged cover	350	300	200	1.2	1.2	MSC350P300GE	MHC350300200PE
MHC40020080E	GL66 mild steel, hinged cover	400	200	80	1.2	1.2	MSC400P200GE	MHC40020080PE
MHC400200120E	GL66 mild steel, hinged cover	400	200	120	1.2	1.2	MSC400P200GE	MHC400200120PE
MHC400300120E	GL66 mild steel, hinged cover	400	300	120	1.2	1.2	MSC400P300GE	MHC400300120PE
MHC400300150E	GL66 mild steel, hinged cover	400	300	150	1.2	1.2	MSC400P300GE	MHC400300150PE
MHC500200120E	GL66 mild steel, hinged cover	500	200	120	1.2	1.2	MSC500P200GE	MHC500200120PE

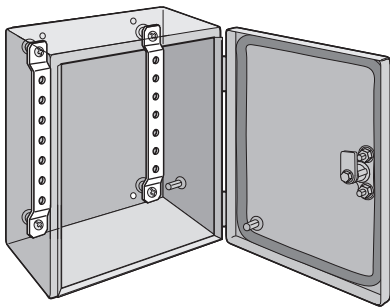


[ MOUNTING PLATE ]



Item number	Description	Thickness [mm]	A [mm]	B [mm]
MSC150P150GE	MPL for GL66 SC size 150x150mm	2	132.5	132.5
MSC200P150GE	MPL for GL66 SC size 200x150mm	2	182.5	132.5
MSC200P200GE	MPL for GL66 SC size 200x200mm	2	182.5	182.5
MSC300P150GE	MPL for GL66 SC size 300x150mm	2	282.5	132.5
MSC300P200GE	MPL for GL66 SC size 300x200mm	2	282.5	182.5
MSC300P250GE	MPL for GL66 SC size 300x250mm	2	282.5	232.5
MSC300P300GE	MPL for GL66 SC size 300x300mm	2	282.5	282.5
MSC350P300GE	MPL for GL66 SC size 350x300mm	2	332.5	282.5
MSC400P150GE	MPL for GL66 SC size 400x150mm	2	382.5	132.5
MSC400P200GE	MPL for GL66 SC size 400x200mm	2	382.5	182.5
MSC400P300GE	MPL for GL66 SC size 400x300mm	2	382.5	282.5
MSC400P400GE	MPL for GL66 SC size 400x400mm	2	382.5	382.5
MSC500P200GE	MPL for GL66 SC size 500x200mm	2	482.5	182.5
MSC500P300GE	MPL for GL66 SC size 500x300mm	2	482.5	282.5
MSC600P200GE	MPL for GL66 SC size 600x200mm	2	582.5	182.5
MSC600P300GE	MPL for GL66 SC size 600x300mm	2	582.5	282.5
MSC600P400GE	MPL for GL66 SC size 600x400mm	2	582.5	382.5
MSC800P200GE	MPL for GL66 SC size 800x200mm	2	782.5	182.5
MSC800P400GE	MPL for GL66 SC size 800x400mm	2	782.5	382.5

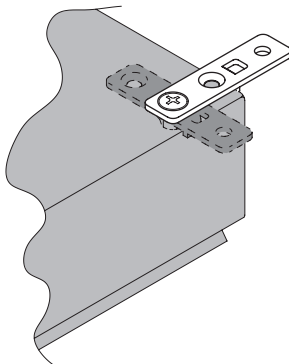
[ DIN RAIL MOUNTING KIT ]



Uses as a mounting framework to install DIN rails or a panel. Bracket is offset for additional space in front of or behind mounted equipment. Mounting hardware included.

Item number	Description	H or W of enclosure [mm]
LMK15E	DIN moun. Brackets for GL66 S.C.	150
LMK20E	DIN moun. Brackets for GL66 S.C.	200
LMK30E	DIN moun. Brackets for GL66 S.C.	300
LMK35E	DIN moun. Brackets for GL66 S.C.	350
LMK40E	DIN moun. Brackets for GL66 S.C.	400

[ MOUNTING-BRACKET ]



Mounting-bracket kits are field-installable. Set of four (4) brackets Mounting brackets required to meet UL/CSA external mounting requirements.

Item number	Description
LMFK	Set of 4 mouting brakets for GL66 S.C.

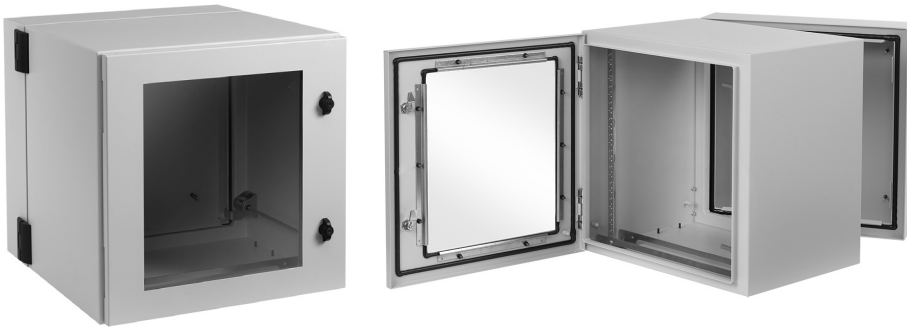
[ GROUNDING KIT ]

Grounding Kit provides means to attach a grounding conductor to the enclosure. Kit includes two insulated copper wires with a ring terminal at each end, all installation hardware and instructions.

Item number	Description
12516001	Grounding kit Packs of 2 pc. Cu wires, green/yellow.

**NOTES :**

[ PROTEK DOUBLE-HINGED, UL AND NEMA TYPE 4 (IP66) OR TYPE 12 (IP55) ]



**INDUSTRY STANDARDS**

UL 508A Listed; File Number E61997  
cUL Listed per CSA C22.2 No. 94; File Number E619967  
Solid Door: Type 4 and 12  
Window Door: Type 12

NEMA / EEMAC: Type 4 or 12  
IEC 60529, IP66 or IP55



**APPLICATION**

PROTEK Double-Hinged enclosures are an excellent, off-the-shelf choice for mounting 19-in. rack, panel-mounted devices or other electronic equipment. The enclosures are designed to provide both front and rear access to 19-in. rack-mounted equipment. They provide protection against water, dirt, corrosive agents and other contaminants. PROTEK is an excellent choice for applications where space is at a premium and the only option is wall mounting. PROTEK comes in a broad range of sizes, materials and configurations to meet many demanding applications.

**SCOPE OF DELIVERY**

- Enclosure with hinged door
- Assembly kit
- Installation instruction

**FEATURES**

- Front and rear access to 19-in. rack equipment provided by three-part design: door, center section and wall section
- Solid door provides complete physical and visual protection
- Window door, made of scratch-resistant safety glass, provides visual monitoring of internal equipment while maintaining equipment protection
- All seams are fully welded and ground smooth
- Doors, center section and wall section are provided with ground studs to facilitate proper bonding and grounding of the enclosure
- Premium seamless, foam-in-place gasket prevents contaminants from entering the enclosure
- Keylocking wing knob is included on painted steel enclosure, providing access control to the enclosure; two keys are included with each enclosure
- One set of plated, self-grounding, square hole rack angles per CEA universal spacing standards, which can be adjusted front-to-back.

**SPECIFICATIONS**

- Doors made of 1,5 mm thick steel; center and wall sections made of 2,0 mm thick steel
- Window made of 6 mm thick, scratch- and impact-resistant safety glass
- Rack angles made of plated 2,5 mm steel
- M6 ground studs on door, center and wall sections are covered with paint
- Foam-in-place gasket made of durable polyurethane

**FINISH**

Pretreated steel coated with RAL 7035 light-gray, low-gloss, lightly textured polyester powder paint

**LOAD RATING**

Center hinged section:

Height	Maximum Load Rating
16 in.	175 lb./79.4 kg
24 in.	250 lb./113.4 kg
36 in.	300 lb./136.1 kg
48 in.	350 lb./158.8 kg
60 in.	400 lb./181.4 kg

*For product specific accessories, please go to the end of each subsection.  
For other general accessories, please refer to the chapter "Accessories".*

**STANDARD PRODUCT SOLID DOOR, NEMA TYPE 4, IP 66**

Item number	in./mm	Rack Units	F in./mm	P in./mm	Q in./mm	S in./mm	Optional Steel Panel
PTHS162415G4E	17.09 x 23.62 x 14.96 434 x 600 x 380	8	12.66 322	---	---	1.11 28	CP2014
PTHS242415G4E	24.09 x 23.62 x 14.96 612 x 600 x 380	12	12.66 322	---	---	1.11 28	CP2020
PTHS242424G4E	24.09 x 23.62 x 24.02 612 x 600 x 610	12	21.72 552	---	---	1.11 28	CP2020
PTHS362415G4E	36.30 x 23.62 x 14.96 922 x 600 x 380	19	12.66 322	---	---	1.11 28	CP3220
PTHS362424G4E	36.30 x 23.62 x 24.02 922 x 600 x 610	19	21.72 552	---	---	1.11 28	CP3220
PTHS482415G4E	48.54 x 23.62 x 14.96 1233 x 600 x 380	26	12.66 322	---	---	1.11 28	CP4420
PTHS482424G4E	48.54 x 23.62 x 24.02 1233 x 600 x 610	26	21.72 552	---	---	1.11 28	CP4420
PTHS602415G4E	60.04 x 23.62 x 14.96 1525 x 600 x 380	32	12.66 322	---	---	1.11 28	CP5620
PTHS602424G4E	60.04 x 23.62 x 24.02 1525 x 600 x 610	32	21.72 552	---	---	1.11 28	CP5620



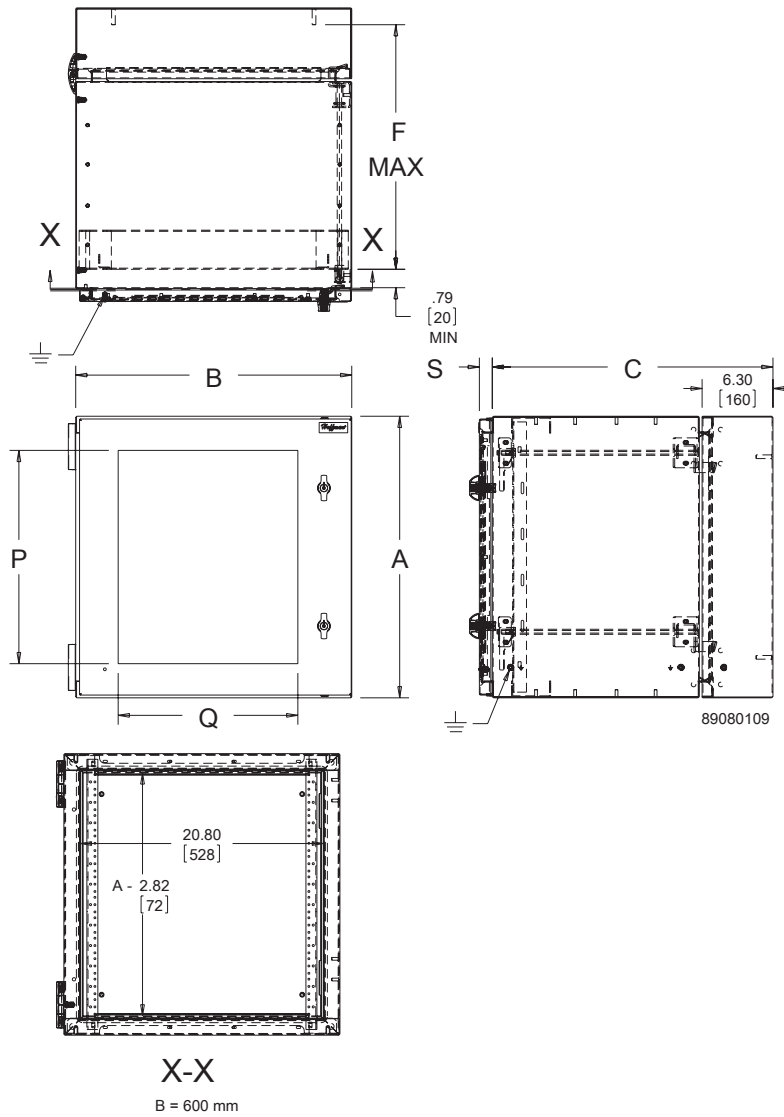


**STANDARD PRODUCT WINDOW DOOR, NEMA TYPE 12, IP 55**

Item number	A x B x C in./mm	Rack Units	F in./mm	P in./mm	Q in./mm	S in./mm	Optional Steel Panel
PTHW162415G2E	17.09 x 23.62 x 14.96 434 x 600 x 380	8	12.66 322	11.87 301	15.38 391	1.11 28	CP2014
PTHW242415G2E	24.09 x 23.62 x 14.96 612 x 600 x 380	12	12.66 322	18.25 464	15.38 391	1.11 28	CP2020
PTHW242424G2E	24.09 x 23.62 x 24.02 612 x 600 x 610	12	21.72 552	18.25 464	15.38 391	1.11 28	CP2020
PTHW362415G2E	36.30 x 23.62 x 14.96 922 x 600 x 380	19	12.66 322	30.75 781	15.38 391	1.11 28	CP3220
PTHW362424G2E	36.30 x 23.62 x 24.02 922 x 600 x 610	19	21.72 552	30.75 781	15.38 391	1.11 28	CP3220
PTHW482415G2E	48.54 x 23.62 x 14.96 1233 x 600 x 380	26	12.66 322	42.70 1085	15.38 391	1.11 28	CP4420
PTHW482424G2E	48.54 x 23.62 x 24.02 1233 x 600 x 610	26	21.72 552	42.70 1085	15.38 391	1.11 28	CP4420
PTHW602415G2E	60.04 x 23.62 x 14.96 1525 x 600 x 380	32	12.66 322	54.39 1377	15.38 391	1.11 28	CP5620
PTHW602424G2E	60.04 x 23.62 x 24.02 1525 x 600 x 610	32	21.72 552	54.39 1377	15.38 391	1.11 28	CP5620



STANDARD PRODUCT WINDOW DOOR, NEMA TYPE 12, IP 55

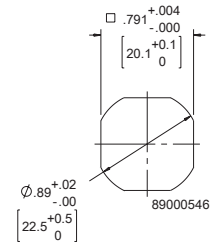


**[ KEYLOCKING QUARTER-TURN WING KNOB ]**

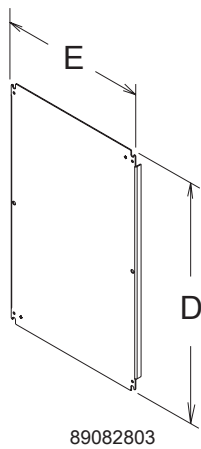


Keylocking quarter-turn wing knob latch. Black finish. Includes gasket, mounting nut and one key with 333 key code. Use existing cam for installation; cam is not included with wing knob. Can be locked in open or closed position. Maintains enclosure rating Type 4, 12.

Item number	Description	Use with
PTWK	Keylocking wing knob, quarter-turn	ACCESSPLUS, COMLINE, PROTEK, L-Box



**[ PROTEK WALL-MOUNT ENCLOSURE ACCESSORY PANELS ]**



Where equipment mounting space is limited, Accessory Panels increase enclosure capacity by providing a mounting surface for 19-in. equipment and accessories at the back of the enclosure. The panels mount on collar studs provided in the enclosure. Available in painted mild steel or wood.

Item number	Panel Type	Panel Size D x E in./mm	Thickness
CP2014	Painted Steel	18.20 x 12.20 462 x 310	1,5 mm
CP2020	Painted Steel	18.20 x 18.20 462 x 462	2,0 mm
CP3220	Painted Steel	30.20 x 18.20 762 x 462	2,0 mm
CP4420	Painted Steel	42.20 x 18.20 1072 x 462	2,0 mm
CP5620	Painted Steel	53.20 x 18.20 1351 x 462	2,0 mm

**[ GROUNDING KIT ]**

Grounding Kit provides means to attach a grounding conductor to the enclosure. Kit includes two insulated copper wires with a ring terminal at each end, all installation hardware and instructions.

Item number	Description
12516000	Grounding kit Packs of 5 pc. Cu wires, green/yellow.

**NOTES :**

[A48, CONTINUOUS HINGE, TYPE 4X]



**INDUSTRY STANDARDS**

Mounting brackets required to meet UL/CSA external mounting requirements.

UL 508A Listed; Type 4, 4X, 12, 13; File No. E61997  
cUL Listed per CSA C22.2 No 94; Type 4, 4X, 12, 13; File No. E61997  
Enclosure flammability evaluated per UL 508A  
Window flammability evaluated per UL 508A

NEMA/EEMAC Type 4, 4X, 12, 13  
CSA File No. 42186: Type 4, 4X, 12, 13  
IEC 60529, IP66



**APPLICATION**

The efficient design and simple construction of these enclosures make them durable in corrosive environments, yet aesthetically pleasing. Corner latches provide unobstructed access. The continuous hinge provides a secure seal, and double latching creates added security.

**SCOPE OF DELIVERY**

- Enclosure
- Cover (solid/window)
- Assembly kit
- Installation instruction

**FEATURES**

- Compression-molded fiberglass has outstanding chemical- and temperature-resistance qualities and exhibits excellent weatherability and physical properties
- Fiberglass is easily punched, drilled, filed or sawed
- Scratch-resistant polycarbonate windows are permanently bonded in place
- Enclosures with quick-release latches have corrosion-resistant polyester latches located in corners that provide unobstructed access to enclosure
- Padlock provisions included in each latch

**SPECIFICATIONS**

- Gasket assures water-tight and dust-tight seal
- Polyester mounting brackets and stainless steel attachment screws are provided with each enclosure
- Molded-in-place threaded brass inserts and plated steel screws are provided for mounting optional panels and terminal block kits
- Removable hinged cover attached to body with Type 316 stainless steel hinge pin
- Screw-cover enclosures are secured with two captivated Type 316 stainless steel slotted cover screws
- Hinge pin and bail are corrosion-resistant Type 316 stainless steel

**FINISH**

Fiberglass material is light-gray inside and out. Optional steel panels are painted white. Optional stainless steel, aluminum, conductive and composite panels are unpainted.

For product specific accessories, please go to the end of each subsection.  
For other general accessories, please refer to the chapter "Accessories".

STANDARD PRODUCT SOLID COVER

Item number	AxBxC in./mm	Type	Steel Panel	Alum. Panel	Panel Size D x E in./mm	Mounting G x H in./mm	Overall L x W in./mm	F in./mm	J in./mm	K in./mm	O in./mm	P in./mm	Q in./mm	T in./mm	U in./mm
A664CHSCFG	6.00 x 6.00 x 4.00 152 x 152 x 102	Screw Cover	A6P6	A6P6AL	4.88 x 4.88 124 x 124	6.94 x 4.00 176 x 102	6.50 x 6.50 165 x 165	3.45 88	3.25 83	1.00 25	4.25 108	4.25 108	5.64 143	0.12 3	5.64 143
A664CHQRFG	6.00 x 6.00 x 4.00 152 x 152 x 102	Quick Release	A6P6	A6P6AL	4.88 x 4.88 124 x 124	6.94 x 4.00 176 x 102	6.50 x 6.50 165 x 165	3.45 88	3.25 83	1.00 25	4.25 108	4.25 108	5.64 143	0.12 3	5.64 143
A864CHSCFG	8.00 x 6.00 x 4.00 203 x 152 x 102	Screw Cover	A8P6	A8P6AL	6.75 x 4.88 171 x 124	8.94 x 4.00 227 x 102	8.50 x 6.50 216 x 165	3.45 88	3.25 83	1.00 25	4.25 108	6.25 159	7.64 194	0.12 3	5.64 143
A864CHQRFG	8.00 x 6.00 x 4.00 203 x 152 x 102	Quick Release	A8P6	A8P6AL	6.75 x 4.88 171 x 124	8.94 x 4.00 227 x 102	8.50 x 6.50 216 x 165	3.45 88	3.25 83	1.00 25	4.25 108	6.25 159	7.64 194	0.12 3	5.64 143
A1086CHSCFG	10.00 x 8.00 x 6.00 254 x 203 x 152	Screw Cover	A10P8	A10P8AL	8.75 x 6.88 222 x 175	10.94 x 6.00 278 x 152	10.50 x 8.50 267 x 216	5.45 138	4.94 125	1.31 33	6.25 159	8.25 210	9.61 244	0.12 3	7.61 193
A1086CHQRFG	10.00 x 8.00 x 6.00 254 x 203 x 152	Quick Release	A10P8	A10P8AL	8.75 x 6.88 222 x 175	10.94 x 6.00 278 x 152	10.50 x 8.50 267 x 216	5.45 138	4.94 125	1.31 33	6.25 159	8.25 210	9.61 244	0.12 3	7.61 193
A12106CHSCFG	12.00 x 10.00 x 6.00 305 x 254 x 152	Screw Cover	A12P10	A12P10AL	10.75 x 8.88 273 x 226	12.94 x 8.00 329 x 203	12.50 x 10.50 318 x 267	5.45 138	4.69 119	1.56 40	8.25 210	10.25 260	11.58 294	0.12 3	9.58 243
A12106CHQRFG	12.00 x 10.00 x 6.00 305 x 254 x 152	Quick Release	A12P10	A12P10AL	10.75 x 8.88 273 x 226	12.94 x 8.00 329 x 203	12.50 x 10.50 318 x 267	5.45 138	4.69 119	1.56 40	8.25 210	10.25 260	11.58 294	0.12 3	9.58 243
A14128CHSCFG	14.00 x 12.00 x 8.00 356 x 305 x 203	Screw Cover	A14P12	A14P12AL	12.75 x 10.88 324 x 276	14.94 x 10.00 379 x 254	14.55 x 12.55 370 x 319	7.45 189	6.50 165	1.81 46	10.25 260	12.25 311	13.59 345	0.15 4	11.59 294
A14128CHQRFG	14.00 x 12.00 x 8.00 356 x 305 x 203	Quick Release	A14P12	A14P12AL	12.75 x 10.88 324 x 276	14.94 x 10.00 379 x 254	14.55 x 12.55 370 x 319	7.45 189	6.50 165	1.81 46	10.25 260	12.25 311	13.59 345	0.15 4	11.59 294
A16148CHSCFG	16.00 x 14.00 x 8.00 406 x 356 x 203	Screw Cover	A16P14	A16P14AL	14.75 x 12.88 375 x 327	16.94 x 12.00 430 x 305	16.55 x 14.55 420 x 370	7.45 189	6.23 158	2.08 53	12.25 311	14.25 362	15.56 395	0.15 4	13.56 344
A16148CHQRFG	16.00 x 14.00 x 8.00 406 x 356 x 203	Quick Release	A16P14	A16P14AL	14.75 x 12.88 375 x 327	16.94 x 12.00 430 x 305	16.55 x 14.55 420 x 370	7.45 189	6.23 158	2.08 53	12.25 311	14.25 362	15.56 395	0.15 4	13.56 344
A181610CHSCFG	18.00 x 16.00 x 10.00 457 x 406 x 254	Screw Cover	A18P16	A18P16AL	16.75 x 14.88 425 x 378	18.94 x 14.00 481 x 356	18.58 x 16.58 472 x 421	9.45 240	7.66 195	2.66 68	14.25 362	16.25 413	17.53 445	0.16 4	15.53 394
A181610CHQRFG	18.00 x 16.00 x 10.00 457 x 406 x 254	Quick Release	A18P16	A18P16AL	16.75 x 14.88 425 x 378	18.94 x 14.00 481 x 356	18.58 x 16.58 472 x 421	9.45 240	7.66 195	2.66 68	14.25 362	16.25 413	17.53 445	0.16 4	15.53 394

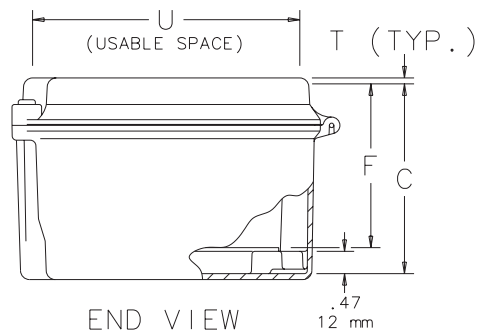
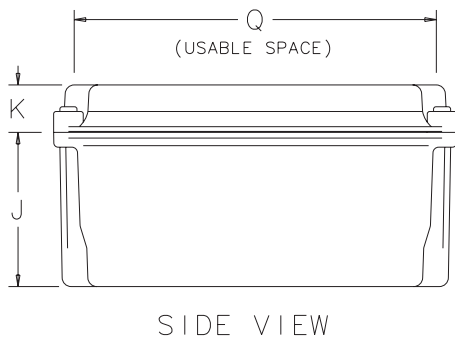
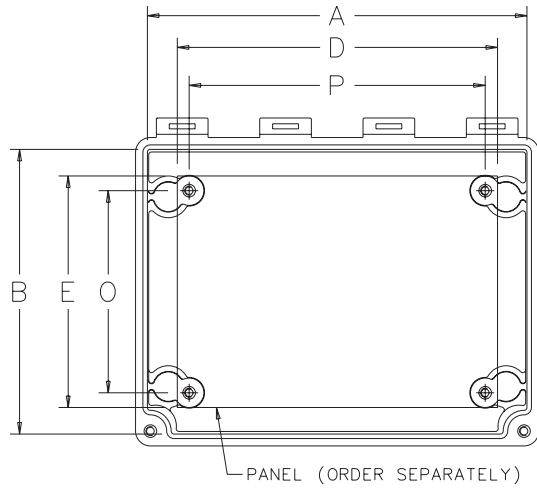
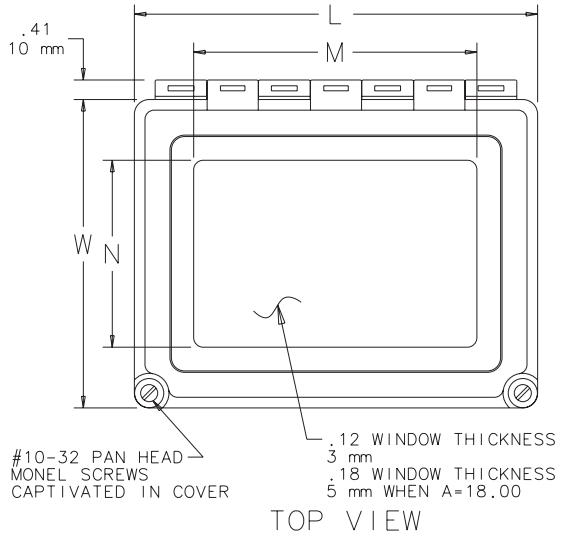
Purchase panels separately. Optional stainless steel, aluminum, conductive and composite material panels available for most sizes.

STANDARD PRODUCT WINDOW COVER

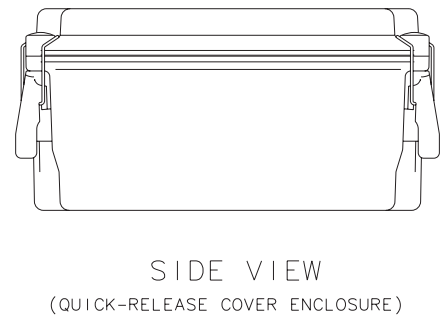
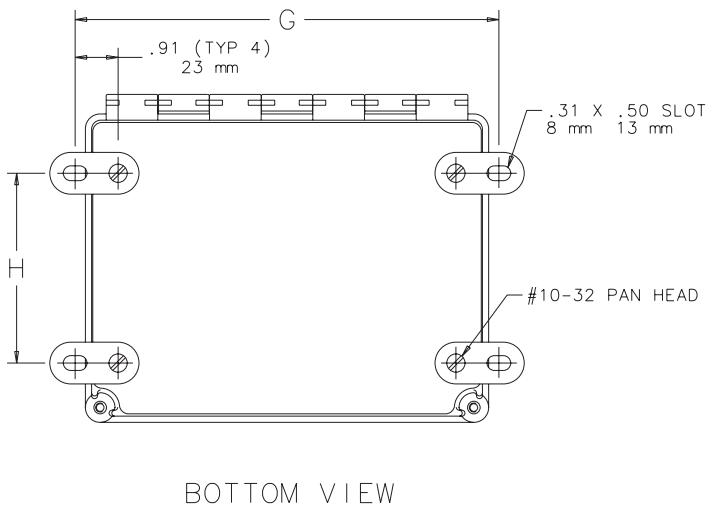
Item number	AxBxC in./mm	Type	Steel Panel	Alum. Panel	Panel Size D x E in./mm	Mounting G x H in./mm	Overall L x W in./mm	F in./mm	J in./mm	K in./mm	M in./mm	N in./mm	O in./mm	P in./mm	Q in./mm	T in./mm	U in./mm
A664CHSCFGW	6.00 x 6.00 x 4.00 152 x 152 x 102	Screw Cover	A6P6	A6P6AL	4.88 x 4.88 124 x 124	6.94 x 4.00 176 x 102	6.50 x 6.50 165 x 165	3.45 88	3.25 83	1.00 25	4.25 108	4.25 108	4.25 108	5.64 143	0.12 3	5.64 143	
A664CHQRFGW	6.00 x 6.00 x 4.00 152 x 152 x 102	Quick Release	A6P6	A6P6AL	4.88 x 4.88 124 x 124	6.94 x 4.00 176 x 102	6.50 x 6.50 165 x 165	3.45 88	3.25 83	1.00 25	4.25 108	4.25 108	4.25 108	5.64 143	0.12 3	5.64 143	
A864CHSCFGW	8.00 x 6.00 x 4.00 203 x 152 x 102	Screw Cover	A8P6	A8P6AL	6.75 x 4.88 171 x 124	8.94 x 4.00 227 x 102	8.50 x 6.50 216 x 165	3.45 88	3.25 83	1.00 25	6.25 159	4.25 108	6.25 159	7.64 194	0.12 3	5.64 143	
A864CHQRFGW	8.00 x 6.00 x 4.00 203 x 152 x 102	Quick Release	A8P6	A8P6AL	6.75 x 4.88 171 x 124	8.94 x 4.00 227 x 102	8.50 x 6.50 216 x 165	3.45 88	3.25 83	1.00 25	6.25 159	4.25 108	6.25 159	7.64 194	0.12 3	5.64 143	
A1086CHSCFGW	10.00 x 8.00 x 6.00 254 x 203 x 152	Screw Cover	A10P8	A10P8AL	8.75 x 6.88 222 x 175	10.94 x 6.00 278 x 152	10.50 x 8.50 267 x 216	5.45 138	4.94 125	1.31 33	8.25 210	6.25 159	8.25 210	9.61 244	0.12 3	7.61 193	
A1086CHQRFGW	10.00 x 8.00 x 6.00 254 x 203 x 152	Quick Release	A10P8	A10P8AL	8.75 x 6.88 222 x 175	10.94 x 6.00 278 x 152	10.50 x 8.50 267 x 216	5.45 138	4.94 125	1.31 33	8.25 210	6.25 159	8.25 210	9.61 244	0.12 3	7.61 193	
A12106CHSCFGW	12.00 x 10.00 x 6.00 305 x 254 x 152	Screw Cover	A12P10	A12P10AL	10.75 x 8.88 273 x 226	12.94 x 8.00 329 x 203	12.50 x 10.50 318 x 267	5.45 138	4.69 119	1.56 40	10.25 260	8.25 210	10.25 260	11.58 294	0.12 3	9.58 243	
A12106CHQRFGW	12.00 x 10.00 x 6.00 305 x 254 x 152	Quick Release	A12P10	A12P10AL	10.75 x 8.88 273 x 226	12.94 x 8.00 329 x 203	12.50 x 10.50 318 x 267	5.45 138	4.69 119	1.56 40	10.25 260	8.25 210	10.25 260	11.58 294	0.12 3	9.58 243	
A14128CHSCFGW	14.00 x 12.00 x 8.00 356 x 305 x 203	Screw Cover	A14P12	A14P12AL	12.75 x 10.88 324 x 276	14.94 x 10.00 379 x 254	14.55 x 12.55 370 x 319	7.45 189	6.50 165	1.81 46	12.25 311	10.25 260	12.25 311	13.59 345	0.15 4	11.59 294	
A14128CHQRFGW	14.00 x 12.00 x 8.00 356 x 305 x 203	Quick Release	A14P12	A14P12AL	12.75 x 10.88 324 x 276	14.94 x 10.00 379 x 254	14.55 x 12.55 370 x 319	7.45 189	6.50 165	1.81 46	12.25 311	10.25 260	12.25 311	13.59 345	0.15 4	11.59 294	
A16148CHSCFGW	16.00 x 14.00 x 8.00 406 x 356 x 203	Screw Cover	A16P14	A16P14AL	14.75 x 12.88 375 x 327	16.94 x 12.00 430 x 305	16.55 x 14.55 420 x 370	7.45 189	6.23 158	2.08 53	14.25 362	12.25 311	12.25 311	15.56 395	0.15 4	13.56 344	
A16148CHQRFGW	16.00 x 14.00 x 8.00 406 x 356 x 203	Quick Release	A16P14	A16P14AL	14.75 x 12.88 375 x 327	16.94 x 12.00 430 x 305	16.55 x 14.55 420 x 370	7.45 189	6.23 158	2.08 53	14.25 362	12.25 311	12.25 311	15.56 395	0.15 4	13.56 344	
A181610CHSCFGW	18.00 x 16.00 x 10.00 457 x 406 x 254	Screw Cover	A18P16	A18P16AL	16.75 x 14.88 425 x 378	18.94 x 14.00 481 x 356	18.58 x 16.58 472 x 421	9.45 240	7.66 195	2.66 68	16.25 413	14.25 362	14.25 362	17.53 445	0.16 4	15.53 394	
A181610CHQRFGW	18.00 x 16.00 x 10.00 457 x 406 x 254	Quick Release	A18P16	A18P16AL	16.75 x 14.88 425 x 378	18.94 x 14.00 481 x 356	18.58 x 16.58 472 x 421	9.45 240	7.66 195	2.66 68	16.25 413	14.25 362	14.25 362	17.53 445	0.16 4	15.53 394	

Purchase panels separately. Optional stainless steel, aluminum, conductive and composite material panels available for most sizes.

Hinged Window Cover Type 4X



NOTE: 1. Panel screws have #10-32 threads.  
2. Mounting brackets are .16 (4mm) thick.



C2567-C



[ QUICK-RELEASE LATCH KIT ]



Two fiberglass-reinforced gray polyester latches with 316L stainless steel bail and screw-hole plugs are included in each package. Supplied with Continuous Hinge, Type 4X enclosures and available for Fiberglass Hinged Cover WiFi Enclosures, Type 4X. Kit converts screw-cover enclosures to quick-release without modification. No tools needed to install. Padlocking provision is included.

Item number	Description	Kit Qty.
AL48	Quick-Release Latch Kit	2

[ FIBERGLASS MOUNTING BRACKET KIT ]



Bracket is molded from fiberglass reinforced polyester. Kit includes four brackets, hardware and installation instructions. Mounting hole dimensions with mounting brackets installed are: [G + 2.50 (64 mm)] x [H + .50 (13 mm)]

See Screw- or Hinged-Cover with Quick-Release Latch, Type 4X tables for G and H dimensions.

Item number
A50MFKR

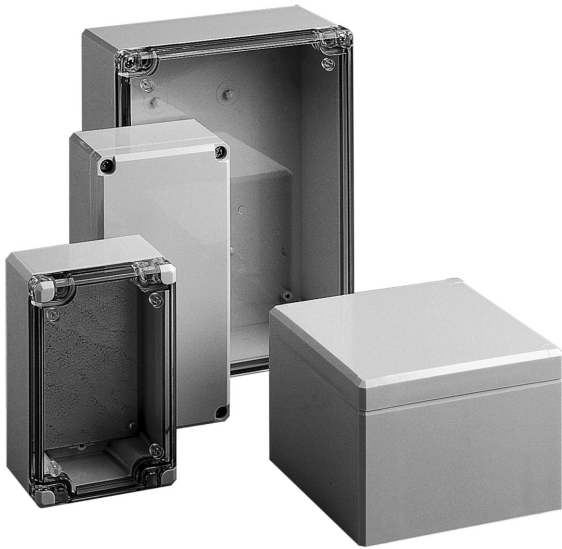
[ SWING-OUT PANEL KIT ]



The Swing-Out Panel Kit provides an attractive, cost-effective solution for installing front-mounted panels in Continuous Hinge, Type 4X, and Overlapping Cover, Type 4X enclosures. No drilling required.

Item number	Fits Enclosure A x B (in.)	Fits Enclosure A x B (mm)
A6SPK6C	6.00 x 6.00	152 x 152
A8SPK6C	8.00 x 6.00	203 x 152
A10SPK8C	10.00 x 8.00	254 x 203
A12SPK10C	12.00 x 10.00	305 x 254
A14SPK12C	14.00 x 12.00	356 x 305
A16SPK14C	16.00 x 14.00	406 x 356
A18SPK16C	18.00 x 16.00	457 x 406

[ QLINE D, TYPE 4X ]



**INDUSTRY STANDARDS**  
Polycarbonate Enclosure

UL 508A Listed; Type 4, 4X, 6, 12, 13; File No. E61997  
cUL Listed per CSA C22.2 No 94; Type 4, 4X, 6, 12, 13; File No. E61997  
Enclosure flammability evaluated per UL 508A

NEMA/EEMAC Type 4, 4X, 6, 12, 13  
CSA File No. 42186: Type 4, 4X, 6, 12, 13  
IEC 60529, IP66, 67



**APPLICATION**

QLINE D polycarbonate enclosures have contoured bodies with flush cover screws for an attractive, contemporary appearance. Tough as well as stylish, they are functional in corrosive environments and can withstand occasional submersion.

**SCOPE OF DELIVERY**

- Plastic moulded case, Polycarbonate, RAL 7035
- Cover, Polycarbonate RAL 7035
- Assembly kit

**FEATURES**

- Body is impact-resistant polycarbonate
- Polycarbonate material is easily punched, drilled, filed or sawed
- Straight side walls permit ganging of multiple enclosures
- Cover screws protected by removable caps that are aesthetic and provide tamper resistance

**SPECIFICATIONS**

- Opaque and clear covers are impact-resistant polycarbonate
- Cross-point captivated cover screws are stainless steel
- Mounting holes molded directly adjacent to cover screws
- Molded internal pads for mounting optional panels, rails and other components
- Panel mounting feature on both body and cover
- Seamless foam-in-place gasket assures water-tight and dust-tight seal
- Screws provided for mounting optional panel
- Material is halogen free

**FINISH**

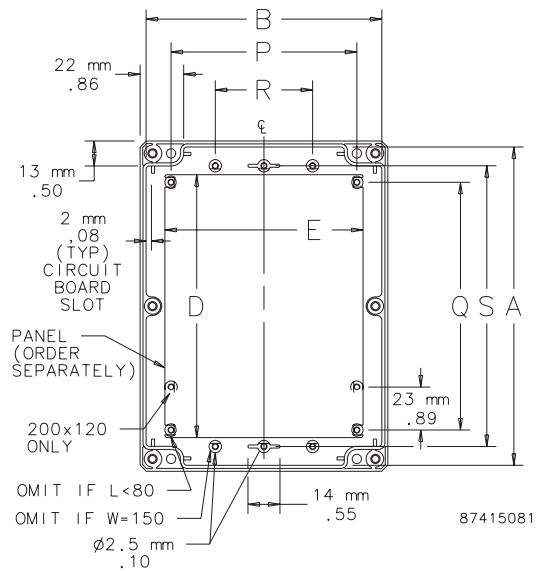
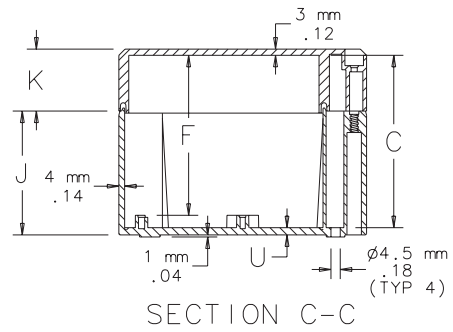
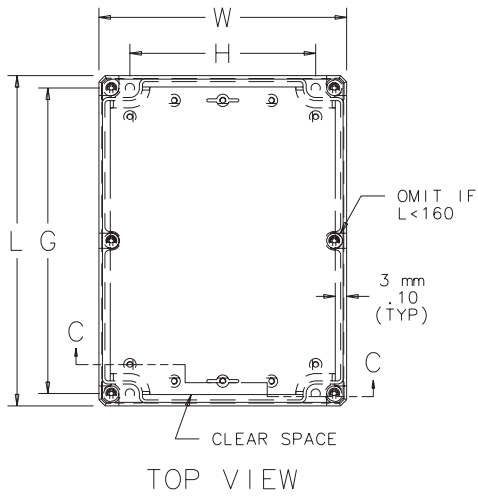
Polycarbonate enclosures are light-gray (RAL 7035) inside and out. Optional panels are plated steel.

*For product specific accessories, please go to the end of each subsection.  
For other general accessories, please refer to the chapter "Accessories".*

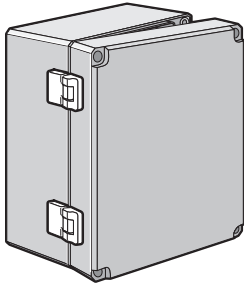
STANDARD PRODUCT

Item number	Ax BxC mm/in.	Cover Style	External Dimensions L x W mm/in.		Panel	Panel Size D x E mm/in.	Mounting G x H mm/in.	F mm/ in.	J mm/ in.	K mm/ in.	P mm/ in.	Q mm/ in.	R mm/ in.	S mm/ in.	U mm/ in.
			L	W											
Q554PCD	50 x 48 x 31 1.97 x 1.89 x 1.22	Opaque	55 x 53 2.17 x 2.09	—	—	—	43 x 41 1.69 x 1.61	28 1.10	25 0.98	10 0.39	16 0.63	—	—	—	2 0.08
Q554PCDCC	50 x 48 x 31 1.97 x 1.89 x 1.22	Clear	55 x 53 2.17 x 2.09	—	—	—	43 x 41 1.69 x 1.61	28 1.10	25 0.98	10 0.39	16 0.63	—	—	—	2 0.08
Q886PCD	76 x 74 x 49 2.96 x 2.89 x 1.93	Opaque	82 x 80 3.23 x 3.15	Q88PD	68 x 55 2.68 x 2.17	70 x 50 2.76 x 1.97	42 1.65	40 1.57	15 0.59	58 2.28	44 1.73	—	—	58 2.28	3 0.12
Q886PCDCC	76 x 74 x 49 2.99 x 2.91 x 1.93	Clear	82 x 80 3.23 x 3.15	Q88PD	68 x 55 2.68 x 2.17	70 x 50 2.76 x 1.97	42 1.65	40 1.57	15 0.59	58 2.28	44 1.73	—	—	58 2.28	3 0.12
Q1286PCD	114 x 74 x 49 4.49 x 2.91 x 1.93	Opaque	120 x 80 4.72 x 3.15	Q128PD	91 x 65 3.58 x 2.56	108 x 50 4.25 x 1.97	42 1.65	40 1.57	15 0.59	58 2.28	82 3.23	—	—	96 3.78	3 0.12
Q1286PCDCC	114 x 74 x 49 4.49 x 2.91 x 1.93	Clear	120 x 80 4.72 x 3.15	Q128PD	91 x 65 3.58 x 2.56	108 x 50 4.25 x 1.97	42 1.65	40 1.57	15 0.59	58 2.28	82 3.23	—	—	96 3.78	3 0.12
Q1686PCD	154 x 74 x 49 6.06 x 2.91 x 1.93	Opaque	160 x 80 6.30 x 3.15	Q168PD	131 x 65 5.16 x 2.56	148 x 50 5.83 x 1.97	42 1.65	40 1.57	15 0.59	58 2.28	122 4.80	—	—	136 5.35	3 0.12
Q1686PCDCC	154 x 74 x 49 6.06 x 2.91 x 1.93	Clear	160 x 80 6.30 x 3.15	Q168PD	131 x 65 5.16 x 2.56	148 x 50 5.83 x 1.97	42 1.65	40 1.57	15 0.59	58 2.28	122 4.80	—	—	136 5.35	3 0.12
Q12126PCD	116 x 114 x 49 4.57 x 4.49 x 1.93	Opaque	122 x 120 4.80 x 4.72	Q1212PD	105 x 93 4.13 x 3.66	110 x 90 4.33 x 3.54	42 1.65	40 1.57	15 0.59	98 3.86	84 3.31	—	—	98 3.86	3 0.12
Q12126PCDCC	116 x 114 x 49 4.57 x 4.49 x 1.93	Clear	122 x 120 4.80 x 4.72	Q1212PD	105 x 93 4.13 x 3.66	110 x 90 4.33 x 3.54	42 1.65	40 1.57	15 0.59	98 3.86	84 3.31	—	—	98 3.86	3 0.12
Q20158PCD	193 x 143 x 69 7.60 x 5.63 x 2.72	Opaque	200 x 150 7.87 x 5.91	Q2015PD	170 x 128 6.69 x 5.04	188 x 120 7.40 x 4.72	62 2.44	60 2.36	15 0.59	118 4.65	160 6.30	118 4.65	176 6.93	176 6.93	3 0.12
Q20158PCDCC	193 x 143 x 69 7.60 x 5.63 x 2.72	Clear	200 x 150 7.87 x 5.91	Q2015PD	170 x 128 6.69 x 5.04	188 x 120 7.40 x 4.72	62 2.44	60 2.36	15 0.59	118 4.65	160 6.30	118 4.65	176 6.93	176 6.93	3 0.12
Q889PCD	76 x 74 x 79 2.99 x 2.91 x 3.11	Opaque	82 x 80 3.23 x 3.15	Q88PD	68 x 55 2.68 x 2.17	70 x 50 2.76 x 1.97	72 2.83	70 2.76	15 0.59	58 2.28	44 1.73	37 1.46	58 2.28	58 2.28	3 0.12
Q889PCDCC	76 x 74 x 79 2.99 x 2.91 x 3.11	Clear	82 x 80 3.23 x 3.15	Q88PD	68 x 55 2.68 x 2.17	70 x 50 2.76 x 1.97	72 2.83	70 2.76	15 0.59	58 2.28	44 1.73	37 1.46	58 2.28	58 2.28	3 0.12
Q1289PCD	113 x 73 x 79 4.45 x 2.87 x 3.11	Opaque	120 x 80 4.72 x 3.15	Q128PD	91 x 65 3.58 x 2.56	108 x 50 4.25 x 1.97	72 2.83	70 2.76	15 0.59	58 2.28	82 3.23	—	—	96 3.78	3 0.12
Q1289PCDCC	113 x 73 x 79 4.45 x 2.87 x 3.11	Clear	120 x 80 4.72 x 3.15	Q128PD	91 x 65 3.58 x 2.56	108 x 50 4.25 x 1.97	72 2.83	70 2.76	15 0.59	58 2.28	82 3.23	—	—	96 3.78	3 0.12
Q1689PCD	153 x 73 x 79 6.02 x 2.87 x 3.11	Opaque	160 x 80 6.30 x 3.15	Q168PD	131 x 65 5.16 x 2.56	148 x 50 5.83 x 1.97	72 2.83	70 2.76	15 0.59	58 2.28	122 4.80	—	—	136 5.35	3 0.12
Q1689PCDCC	153 x 73 x 79 6.02 x 2.87 x 3.11	Clear	160 x 80 6.30 x 3.15	Q168PD	131 x 65 5.16 x 2.56	148 x 50 5.83 x 1.97	72 2.83	70 2.76	15 0.59	58 2.28	122 4.80	—	—	136 5.35	3 0.12
Q12129PCD	116 x 114 x 79 4.57 x 4.49 x 3.11	Opaque	122 x 120 4.80 x 4.72	Q1212PD	105 x 93 4.13 x 3.66	110 x 90 4.33 x 3.54	72 2.83	70 2.76	15 0.59	98 3.86	84 3.31	97 3.82	98 3.86	98 3.86	3 0.12
Q12129PCDCC	116 x 114 x 79 4.57 x 4.49 x 3.11	Clear	122 x 120 4.80 x 4.72	Q1212PD	105 x 93 4.13 x 3.66	110 x 90 4.33 x 3.54	72 2.83	70 2.76	15 0.59	98 3.86	84 3.31	97 3.82	98 3.86	98 3.86	3 0.12
Q20129PCD	193 x 113 x 79 7.60 x 4.45 x 3.11	Opaque	200 x 120 7.87 x 4.72	Q2012PD	170 x 100 6.69 x 3.94	188 x 90 7.40 x 3.54	72 2.83	70 2.76	15 0.59	90 3.54	160 6.30	40 1.57	176 6.93	176 6.93	3 0.12
Q20129PCDCC	193 x 113 x 79 7.60 x 4.45 x 3.11	Clear	200 x 120 7.87 x 4.72	Q2012PD	170 x 100 6.69 x 3.94	188 x 90 7.40 x 3.54	72 2.83	70 2.76	15 0.59	90 3.54	160 6.30	40 1.57	176 6.93	176 6.93	3 0.12
Q30239PCD	293 x 223 x 79 11.54 x 8.78 x 3.11	Opaque	300 x 230 11.81 x 9.05	Q3023PD	265 x 210 10.43 x 8.27	288 x 200 11.34 x 7.87	73 2.87	55 2.17	30 1.18	198 7.80	255 10.04	160 6.30	275 10.83	275 10.83	4 0.16
Q30239PCDCC	293 x 223 x 79 11.54 x 8.78 x 3.11	Clear	300 x 230 11.81 x 9.05	Q3023PD	265 x 210 10.43 x 8.27	288 x 200 11.34 x 7.87	73 2.87	55 2.17	30 1.18	198 7.80	255 10.04	160 6.30	275 10.83	275 10.83	4 0.16
Q16129PCD	153 x 113 x 84 6.02 x 4.45 x 3.31	Opaque	160 x 120 6.30 x 4.72	Q1612PD	130 x 100 5.12 x 3.94	148 x 90 5.83 x 3.54	78 3.07	60 2.36	30 1.18	90 3.54	120 4.72	—	—	136 5.35	3 0.12
Q16129PCDCC	153 x 113 x 84 6.02 x 4.45 x 3.31	Clear	160 x 120 6.30 x 4.72	Q1612PD	130 x 100 5.12 x 3.94	148 x 90 5.83 x 3.54	78 3.07	60 2.36	30 1.18	90 3.54	120 4.72	—	—	136 5.35	3 0.12
Q24169PCD	233 x 153 x 84 9.17 x 6.02 x 3.31	Opaque	240 x 160 9.45 x 6.30	Q2416PD	211 x 148 8.31 x 5.83	228 x 130 8.98 x 5.12	78 3.07	75 2.95	15 0.59	138 5.43	202 7.95	75 2.95	215 8.46	215 8.46	4 0.16
Q24169PCDCC	233 x 153 x 84 9.17 x 6.02 x 3.31	Clear	240 x 160 9.45 x 6.30	Q2416PD	211 x 148 8.31 x 5.83	228 x 130 8.98 x 5.12	78 3.07	75 2.95	15 0.59	138 5.43	202 7.95	75 2.95	215 8.46	215 8.46	4 0.16
Q302311PCD	293 x 223 x 104 11.54 x 8.78 x 4.09	Opaque	300 x 230 11.81 x 9.06	Q3023PD	265 x 210 10.43 x 8.27	288 x 200 11.34 x 7.87	98 3.86	55 2.17	55 2.17	198 7.80	255 10.04	160 6.30	275 10.83	275 10.83	4 0.16
Q302311PCDCC	293 x 223 x 104 11.54 x 8.78 x 4.09	Clear	300 x 230 11.81 x 9.06	Q3023PD	265 x 210 10.43 x 8.27	288 x 200 11.34 x 7.87	98 3.86	55 2.17	55 2.17	198 7.80	255 10.04	160 6.30	275 10.83	275 10.83	4 0.16
Q241612PCD	233 x 153 x 114 9.17 x 6.02 x 4.49	Opaque	240 x 160 9.45 x 6.30	Q2416PD	211 x 148 8.31 x 5.83	228 x 130 8.98 x 5.12	108 4.25	75 2.95	45 1.77	75 2.95	202 7.95	75 2.95	215 8.46	215 8.46	4 0.16
Q241612PCDCC	233 x 153 x 114 9.17 x 6.02 x 4.49	Clear	240 x 160 9.45 x 6.30	Q2416PD	211 x 148 8.31 x 5.83	228 x 130 8.98 x 5.12	108 4.25	75 2.95	45 1.77	75 2.95	202 7.95	75 2.95	215 8.46	215 8.46	4 0.16

A x B x C are internal dimensions. Purchase panels separately.



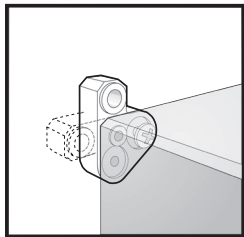
[ HINGE KIT ]



Hinge Kit includes two polyamide hinges, eight M4 self-tapping, plated screws, eight flat washers and drilling templates. Use on all QLINE D enclosures. *Hinge Kit meets Type 4 requirements.*

Item number
QDEHK

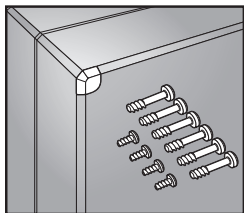
[ MOUNTING BRACKET KIT ]



Mounting Bracket Kit has four polycarbonate brackets and four M4 self-tapping, plated screws. Kit is field-installable. Use on all QLINE D enclosures. Maintains listed ratings for enclosure.

Item number
QDMFK

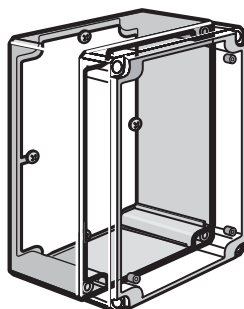
[ HARDWARE KIT ]



Hardware Kit includes six self-tapping, stainless steel cover screws, four self-tapping plated panel screws and six removable plastic caps that fit over the screws to provide tamper resistance as well as a clean aesthetic appearance. This kit is offered as a replacement kit for lost or damaged hardware originally furnished with the enclosure.

Item number
QDHK

[ PANELS ]



Item number	Panel Size D x E mm/in.	Mounting G x H mm/in.
Q88PD	68 x 55 2.68 x 2.17	70 x 50 2.76 x 1.97
Q128PD	91 x 65 3.58 x 2.56	108 x 50 4.25 x 1.97
Q168PD	131 x 65 5.16 x 2.56	148 x 50 5.83 x 1.97
Q1212PD	105 x 93 4.13 x 3.66	110 x 90 4.33 x 3.54
Q1612PD	130 x 100 5.12 x 3.94	148 x 90 5.83 x 3.54
Q2012PD	170 x 100 6.69 x 3.94	188 x 90 7.40 x 3.54
Q2015PD	170 x 128 6.69 x 5.04	188 x 120 7.40 x 4.72
Q2416PD	211 x 148 8.31 x 5.83	228 x 130 8.98 x 5.12
Q3023PD	265 x 210 10.43 x 8.27	288 x 200 11.34 x 7.87

[ QLINE I, TYPE 4X ]



**INDUSTRY STANDARDS**

**Polycarbonate Enclosure**

UL 508A Listed; Type 4, 4X, 12, 13; File No. E61997  
cUL Listed per CSA C22.2 No 94; Type 4, 4X, 12, 13; File No. E61997  
Enclosure flammability evaluated per UL 508A

NEMA/EEMAC Type 4, 4X, 12, 13  
CSA File No. 42186: Type 4, 4X, 12, 13  
IEC 60529, IP67



**APPLICATION**

The largest-sized QLINE enclosure, QLINE I provides easy access and protects larger controls from corrosive environments. Choose from screw cover, hinge, internal mounting, variable depth and quick-release latch options to meet your design and security requirements.

**SCOPE OF DELIVERY**

- Plastic moulded case, Polycarbonate, RAL 7035
- Cover, Polycarbonate RAL 7035 or transparent
- Assembly kit

**FEATURES**

- Body is impact-resistant polycarbonate
- Polycarbonate material is easily punched, drilled, filed or sawed
- Molded internal rails for mounting adjustable-depth panel kit
- **Screw Cover Enclosures** have easy-to-remove covers attached to body with strong, durable polyamide cross-point cover screws.
- **Enclosures with Quick-Release Latches** have polycarbonate hinges and polyester latches with a padlock provision.

**SPECIFICATIONS**

- Opaque and clear covers are impact-resistant polycarbonate
- Mounting holes molded directly under cover screws
- Molded internal pads for mounting optional panels, rails and other components
- Screws provided for mounting optional panel
- Optional extension rings are molded polycarbonate
- Cover includes a molded-in hole for wire lead
- Seamless foam-in-place gasket assures water-tight and dust-tight seal
- Material is halogen free

**FINISH**

Polycarbonate enclosure material is RAL 7035 light-gray inside and out. Optional panels are plated steel.

*For product specific accessories, please go to the end of each subsection.  
For other general accessories, please refer to the chapter "Accessories".*

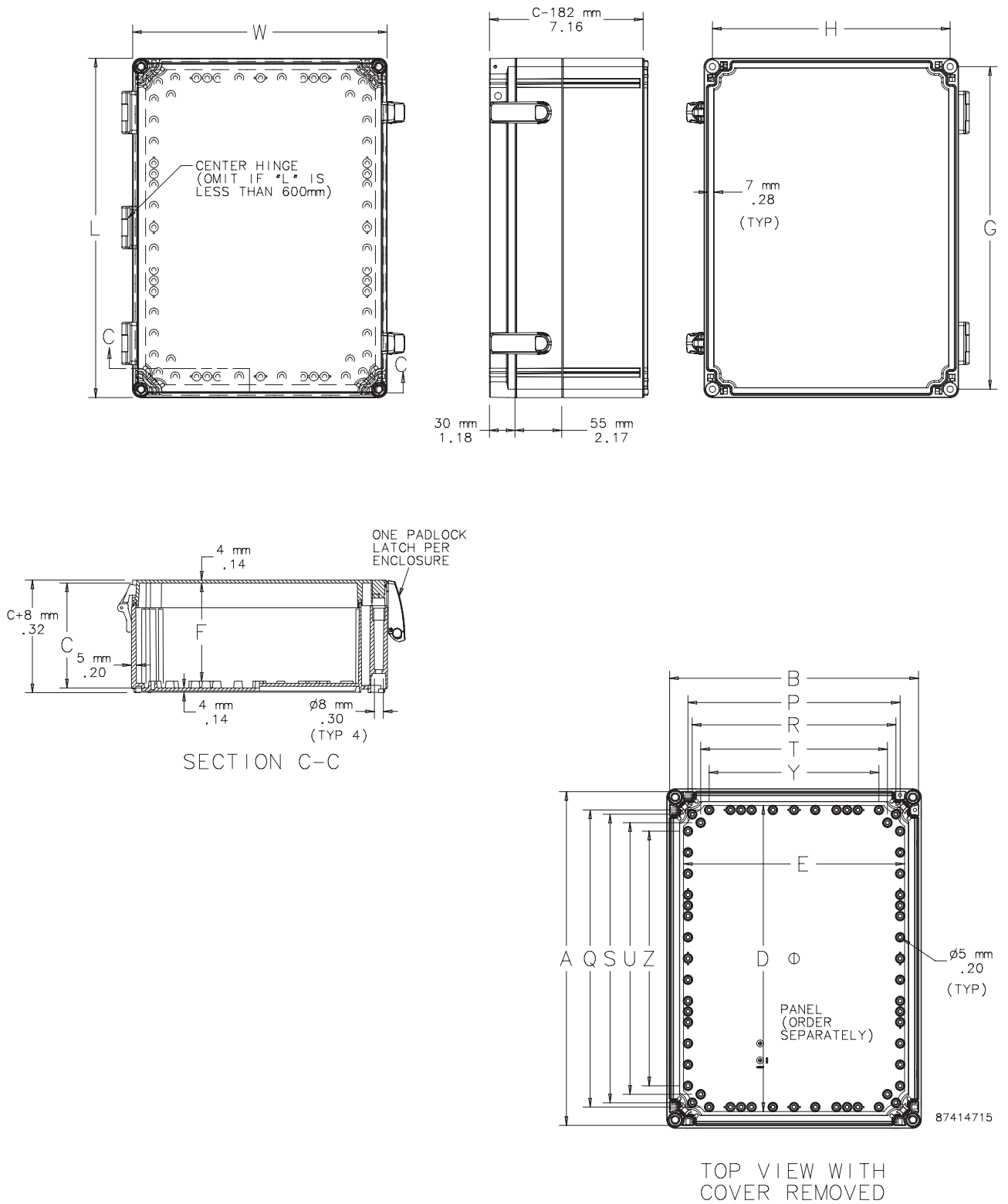




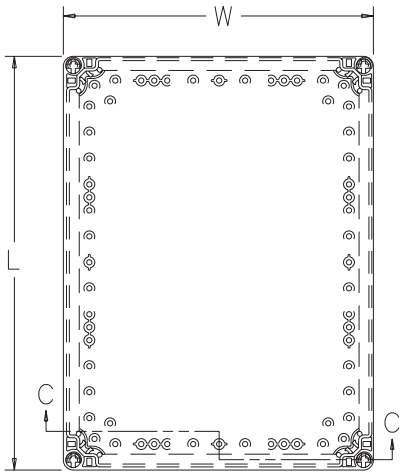
Item number	A x B x C mm/in.	Cover Style	Cover Fastener	External Dim's L x W mm/in.	Panel	Panel Size D x E mm/in.	Extension Ring	Mounting G x H mm/in.	F mm/ in.	P mm/ in.	Q mm/ in.	R mm/ in.	S mm/ in.	T mm/ in.	U mm/ in.	Y mm/ in.	Z mm/ in.
Q303013PCIQRCCR	288 x 288 x 123 11.34 x 11.34 x 4.84	Clear	QR Latch	300 x 300 11.81 x 11.81	Q3030PI	260 x 260 10.24 x 10.24	—	280 x 280 11.02 x 11.02	115	250	250	240	240	220	210	200	200
Q403013PCIQRRR	388 x 288 x 123 15.28 x 11.34 x 4.84	Opaque	QR Latch	400 x 300 15.75 x 11.81	Q4030PI	360 x 260 14.17 x 10.24	—	380 x 280 14.96 x 11.02	115	250	350	240	340	220	310	200	300
Q403013PCIQRCCR	388 x 288 x 123 15.28 x 11.34 x 4.84	Clear	QR Latch	400 x 300 15.75 x 11.81	Q4030PI	360 x 260 14.17 x 10.24	—	380 x 280 14.96 x 11.02	115	250	350	240	340	220	310	200	300
Q603013PCIQRRR	588 x 288 x 123 23.15 x 11.34 x 4.84	Opaque	QR Latch	600 x 300 23.62 x 11.81	Q6030PI	560 x 260 22.05 x 10.24	—	580 x 280 22.83 x 11.02	115	250	550	240	540	220	510	200	500
Q603013PCIQRCCR	588 x 288 x 123 23.15 x 11.34 x 4.84	Clear	QR Latch	600 x 300 23.62 x 11.81	Q6030PI	560 x 260 22.05 x 10.24	—	580 x 280 22.83 x 11.02	115	250	550	240	540	220	510	200	500
Q604013PCIQRRR	588 x 388 x 123 23.15 x 15.28 x 4.84	Opaque	QR Latch	600 x 400 23.62 x 15.75	Q6040PI	560 x 360 22.05 x 14.17	—	580 x 380 22.83 x 14.96	115	350	550	340	540	320	510	300	500
Q604013PCIQRCCR	588 x 388 x 123 23.15 x 15.28 x 4.84	Clear	QR Latch	600 x 400 23.62 x 15.75	Q6040PI	560 x 360 22.05 x 14.17	—	580 x 380 22.83 x 14.96	115	350	550	340	540	320	510	300	500
Q202018PCIQRRR	188 x 188 x 173 7.40 x 7.40 x 6.81	Opaque	QR Latch	200 x 200 7.87 x 7.87	Q2020PI	160 x 160 6.30 x 6.30	—	180 x 180 7.09 x 7.09	115	150	150	140	140	120	110	100	100
Q202018PCIQRCCR	188 x 188 x 173 7.40 x 7.40 x 6.81	Clear	QR Latch	200 x 200 7.87 x 7.87	Q2020PI	160 x 160 6.30 x 6.30	—	180 x 180 7.09 x 7.09	165	150	150	140	140	120	110	100	100
Q302018PCIQRRR	288 x 188 x 173 11.34 x 7.40 x 6.81	Opaque	QR Latch	300 x 200 11.81 x 7.87	Q3020PI	260 x 160 10.24 x 6.30	—	280 x 180 11.02 x 7.09	165	150	250	140	240	120	110	100	200
Q302018PCIQRCCR	288 x 188 x 173 11.34 x 7.40 x 6.81	Clear	QR Latch	300 x 200 11.81 x 7.87	Q3020PI	260 x 160 10.24 x 6.30	—	280 x 180 11.02 x 7.09	165	150	250	140	240	120	110	100	200
Q402018PCIQRRR	388 x 188 x 173 15.28 x 7.40 x 6.81	Opaque	QR Latch	400 x 200 15.75 x 7.87	Q4020PI	360 x 160 14.17 x 6.30	—	380 x 180 14.96 x 7.09	165	150	350	140	340	120	310	100	300
Q402018PCIQRCCR	388 x 188 x 173 15.28 x 7.40 x 6.81	Clear	QR Latch	400 x 200 15.75 x 7.87	Q4020PI	360 x 160 14.17 x 6.30	—	380 x 180 14.96 x 7.09	165	150	350	140	340	120	310	100	300
Q303018PCIQRRR	288 x 288 x 173 11.34 x 11.34 x 6.81	Opaque	QR Latch	300 x 300 11.81 x 11.81	Q3030PI	260 x 260 10.24 x 10.24	—	280 x 280 11.02 x 11.02	165	250	250	240	240	220	210	200	200
Q303018PCIQRCCR	288 x 288 x 173 11.34 x 11.34 x 6.81	Clear	QR Latch	300 x 300 11.81 x 11.81	Q3030PI	260 x 260 10.24 x 10.24	—	280 x 280 11.02 x 11.02	165	250	250	240	240	220	210	200	200
Q403018PCIQRRR	388 x 288 x 173 15.28 x 11.34 x 6.81	Opaque	QR Latch	400 x 300 15.75 x 11.81	Q4030PI	360 x 260 14.17 x 10.24	—	380 x 280 14.96 x 11.02	165	250	350	240	340	220	310	200	300
Q403018PCIQRCCR	388 x 288 x 173 15.28 x 11.34 x 6.81	Clear	QR Latch	400 x 300 15.75 x 11.81	Q4030PI	360 x 260 14.17 x 10.24	—	380 x 280 14.96 x 11.02	165	250	350	240	340	220	310	200	300
Q603018PCIQRRR	588 x 288 x 173 23.15 x 11.34 x 6.81	Opaque	QR Latch	600 x 300 23.62 x 11.81	Q6030PI	560 x 260 22.05 x 10.24	—	580 x 280 22.83 x 11.02	165	250	550	240	540	220	510	200	500
Q603018PCIQRCCR	588 x 288 x 173 23.15 x 11.37 x 6.81	Clear	QR Latch	600 x 300 23.62 x 11.81	Q6030PI	560 x 260 22.05 x 10.24	—	580 x 280 22.83 x 11.02	165	250	550	240	540	220	510	200	500
Q604018PCIQRRR	588 x 388 x 173 23.15 x 15.28 x 6.81	Opaque	QR Latch	600 x 400 23.62 x 15.75	Q6040PI	560 x 360 22.05 x 14.17	—	580 x 380 22.83 x 14.96	165	350	550	340	540	320	510	300	500
Q604018PCIQRCCR	588 x 388 x 173 23.15 x 15.28 x 6.81	Clear	QR Latch	600 x 400 23.62 x 15.75	Q6040PI	560 x 360 22.05 x 14.17	—	580 x 380 22.83 x 14.96	165	350	550	340	540	320	510	300	500

A x B x C are internal dimensions.  
Purchase panels and extension rings separately.

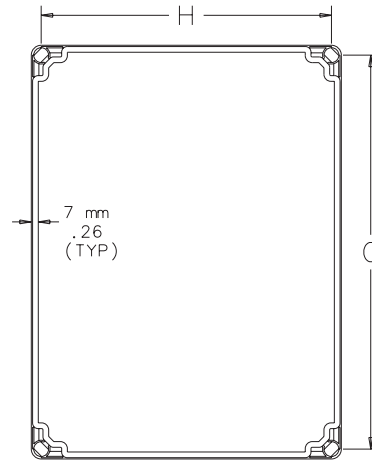
QLINE I Type 4X Enclosures with Quick-Release Latches



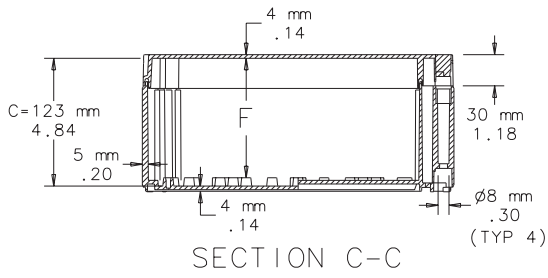
QLINE I Type 4X Enclosures with Screw Cover



TOP VIEW

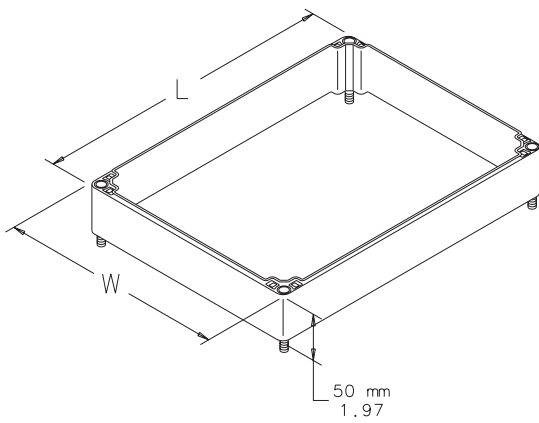


BOTTOM VIEW

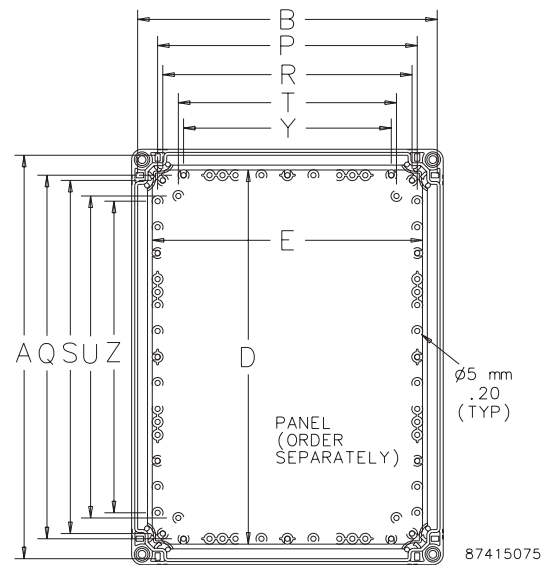


SECTION C-C

NOTE: Panel screws are M5 pan head.

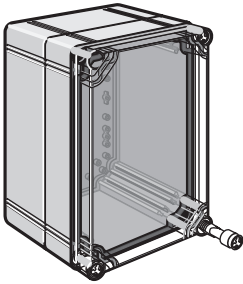


OPTIONAL EXTENSION RING



TOP VIEW WITH COVER REMOVED

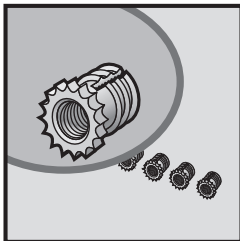
[ COVER SCREW KIT ]



Screws are polyamide. Wing-head-style screws provide rapid access to enclosure interior without requiring special tools to open. Kit includes four polyamide cover screws and four self-tapping, plated panel screws. Tamper-resistant screws have molded 3-mm double-bit drive; kit includes four cover screws, one key and four self-tapping, plated panel screws. Use on all QLINE I enclosures.

Item number	Description
QIWSK	wing-head screw
QITSK	3 mm tamper-resistant double-bit

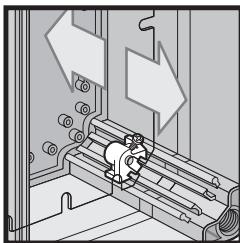
[ BRASS INSERT KIT ]



Four M5 self-tapping brass inserts screw into molded pads in bottom of enclosure. Inserts have M3 internal thread.

Item number
QBIK

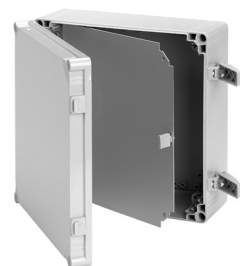
[ PANEL DEPTH FITTING ]



Panel Depth Fitting attaches to corner molded rails of enclosure to facilitate full-range front-to-back panel adjustment. Package includes four polyamide fittings and plated screws. Use on all QLINE I enclosures.

Item number
QIPDF

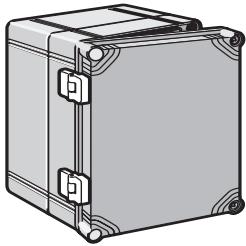
[ SWING PANEL ]



Adjustable-depth aluminum swing panels, for use in QLINE I polycarbonate enclosures, provide a convenient way to install controls and instruments near enclosure body opening while providing access and security.

Item number	Panel Size D x E mm/in.	Fits Enclosure Size A x B mm/in.	Hinged Side of Enclosure
QIHFP22A	186 x 180 7.32 x 7.09	200 x 200 7.87 x 7.87	200
QIHFP23A	186 x 280 7.32 x 11.02	300 x 200 11.81 x 7.87	200
QIHFP32A	286 x 180 11.26 x 7.09	300 x 200 11.81 x 7.87	300
QIHFP42A	386 x 180 15.20 x 7.09	400 x 200 15.75 x 7.87	400
QIHFP33A	286 x 280 11.26 x 11.02	300 x 300 11.81 x 11.81	300
QIHFP43A	386 x 280 15.20 x 11.02	400 x 300 15.75 x 11.81	400
QIHFP63A	586 x 280 23.07 x 11.02	600 x 300 23.62 x 11.81	600
QIHFP64A	586 x 380 23.07 x 14.96	600 x 400 23.62 x 15.75	600

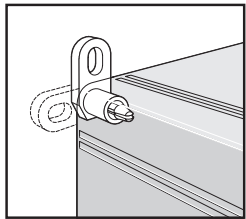
[ HINGE KIT ]



Hinge Kit includes two polyamide hinges, eight M4 self-tapping plated screws, eight flat washers and drilling template. Use on all QLINE I enclosures.  
*Hinge Kit meets Type 4 requirements. Three hinges required for 600 mm sides.*

Item number
QIHK

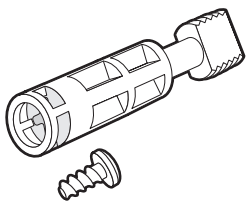
[ MOUNTING BRACKET KIT ]



Mounting Bracket Kit has four polycarbonate brackets and four M3 self-tapping, plated screws. Kit is field-installable. Use on all QLINE I Enclosures. Maintains listed ratings for enclosure.

Item number
QIMFK

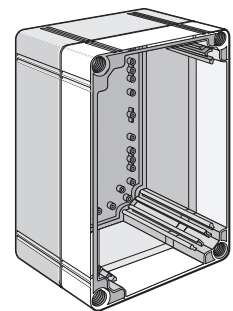
[ HARDWARE KIT ]



Hardware Kit includes four polyamide cover screws and four self-tapping, plated panel screws. This kit is offered as a replacement kit for lost or damaged hardware originally furnished with the enclosure.

Item number	Description
QIHK424	42 mm screws

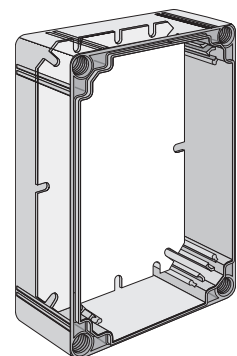
[ EXTENSION RINGS ]



Extension rings can be added to QLINE I enclosures to provide additional 50 mm to enclosure depth. Extension rings are polycarbonate and cannot be used with quick-release latches.

Item number	Use with Enclosure Item number Beginning With
Q2020EXTI	Q2020
Q3020EXTI	Q3020
Q3030EXTI	Q3030
Q4020EXTI	Q4020
Q4030EXTI	Q4030
Q6030EXTI	Q6030
Q6040EXTI	Q6040

[ PANELS ]



Item number	Panel Size D x E mm	Panel Size D x E in.
Q2020PI	160 x 160	6.30 x 6.30
Q3020PI	260 x 160	10.24 x 6.30
Q3030PI	260 x 260	10.24 x 10.24
Q4020PI	360 x 160	14.17 x 6.30
Q4030PI	360 x 260	14.17 x 10.24
Q6030PI	560 x 260	22.05 x 10.24
Q6040PI	560 X 360	22.05 x 14.17

**NOTES :**

[ COMLINE, TYPE 4X ]



**INDUSTRY STANDARDS**

UL 508A Listed; Type 3, 3R, 4, 4X, 12; File No. E61997

CSA File No. 42186: Type 3, 3R, 4, 4X, 12  
 NEMA/EEMAC Type 3, 3R, 4, 4X, 12  
 IEC 60529, IP66  
 Designed to meet NEBS™-Telcordia GR487, GR63, IEC 48D  
 Meets Type 3RX requirements  
 NEBS is a trademark of Telcordia



**APPLICATION**

Lightweight, corrosion-resistant COMLINE aluminum wall-mount enclosures provide long-lasting protection for housing electrical components in extreme outdoor environments. These customizable enclosures employ a foam-in-place gasket for a tight seal and are ideal for rooftop or tower-mounted telecommunications applications.

**SCOPE OF DELIVERY**

- Enclosure with hinged door
- Assembly kit
- Installation instruction

**FEATURES**

- Foam-in-place gasket
- 1- or 3-point latching (screwdriver slot), depending on door size
- Optional door stop/wind latch holds door in place during service
- Two door/hinge styles available:
  - Easily removable door with hidden hinge and retained hinge pin; maximum door load 22,7 kg
  - Heavy-duty continuous hinge door. Maximum door load 68,0 kg
- Optional solar shield top

**SPECIFICATIONS**

- Type 5052-H32 aluminum: covers are 2 mm or 2,5 mm thick depending on size; bodies are 2,0 mm thick
- Seams continuously welded and ground smooth for a finished appearance
- Bonding provision on door; ground stud on body

**FINISH**

- RAL 7035 textured, light-gray polyester powder finish inside and out.

**STANDARD PRODUCT HIDDEN HINGE**

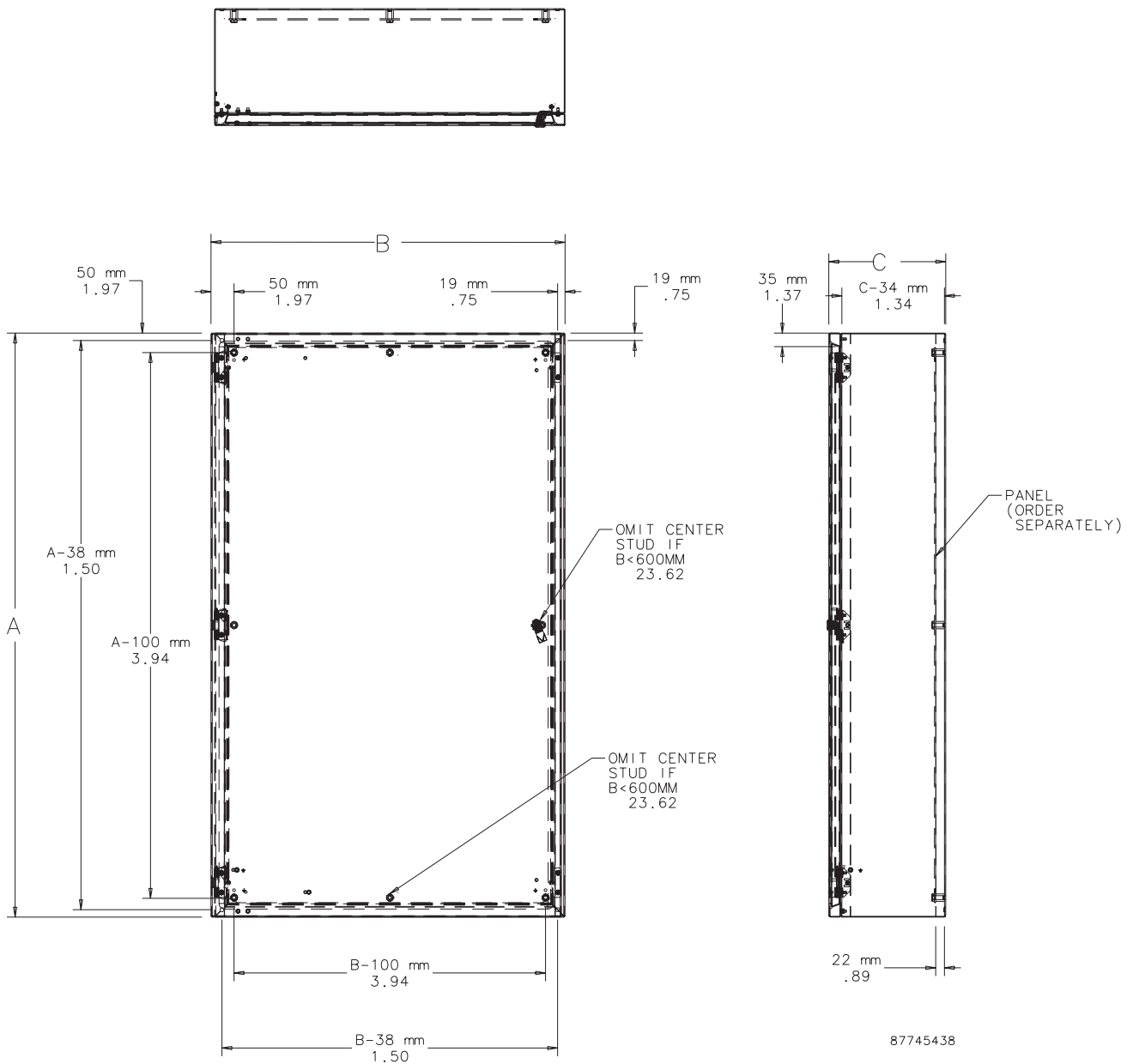
Item number	A x B x C mm	A x B x C in.	Latch Points	Door Thickness mm	Door Thickness in.	Std. Pkg. (kg)
ECL303015	300 x 300 x 150	11.80 x 11.80 x 5.90	1	2	.08	4.1
ECL403015	400 x 300 x 150	15.70 x 11.80 x 5.90	1	2	.08	4.5
ECL404015	400 x 400 x 150	15.70 x 15.70 x 5.90	1	2	.08	5.4
ECL404020	400 x 400 x 200	15.70 x 15.70 x 7.90	1	2	.08	5.9
ECL504020	500 x 400 x 200	19.70 x 15.70 x 7.90	1	2	.08	6.8
ECL505020	500 x 500 x 200	19.70 x 19.70 x 7.90	1	2	.08	7.7
ECL605020	600 x 500 x 200	23.60 x 19.70 x 7.90	3	2.5	.10	8.6
ECL606020	600 x 600 x 200	23.60 x 23.60 x 7.90	3	2.5	.10	10.4
ECL806020	800 x 600 x 200	31.50 x 23.60 x 7.90	3	2.5	.10	12.2
ECL1006030	1000 x 600 x 300	39.40 x 23.60 x 11.80	3	2.5	.10	15.9
ECL1209030	1200 x 900 x 300	47.20 x 35.40 x 11.80	3	2.5	.10	25.0
ECL1509030	1500 x 900 x 300	59.10 x 35.40 x 11.80	3	2.5	.10	35.4

ECL1209030, ECL1209030CH, ECL1509030 and ECL1509030CH include vertical door stiffener. Additional door stop required to meet NEBS-Telcordia 487 door restrainer requirements. All the above enclosures must have mounting feet installed to meet UL Type 3, UL Type 4 and UL Type 4X ratings.

For product specific accessories, please go to the end of each subsection.  
 For other general accessories, please refer to the chapter "Accessories".

**STANDARD PRODUCT CONTINUOUS HINGE**

Item number	A x B x C mm	AxBxC in.	Latch Points	Door Thickness mm	Door Thickness in.	Std. Pkg. kg
ECL303015CH	300 x 300 x 150	11.80 x 11.80 x 5.90	1	2	.08	4.1
ECL403015CH	400 x 300 x 150	15.70 x 11.80 x 5.90	1	2	.08	4.5
ECL404015CH	400 x 400 x 150	15.70 x 15.70 x 5.90	1	2	.08	5.4
ECL404020CH	400 x 400 x 200	15.70 x 15.70 x 7.90	1	2	.08	5.9
ECL504020CH	500 x 400 x 200	19.70 x 15.70 x 7.90	1	2	.08	6.8
ECL505020CH	500 x 500 x 200	19.70 x 19.70 x 7.90	1	2	.08	7.7
ECL605020CH	600 x 500 x 200	23.60 x 19.70 x 7.90	3	2.5	.10	8.6
ECL606020CH	600 x 600 x 200	23.60 x 23.60 x 7.90	3	2.5	.10	10.4
ECL806020CH	800 x 600 x 200	31.50 x 23.60 x 7.90	3	2.5	.10	12.2
ECL1006030CH	1000 x 600 x 300	39.40 x 23.60 x 11.80	3	2.5	.10	15.9
ECL1209030CH	1200 x 900 x 300	47.20 x 35.40 x 11.80	3	2.5	.10	25.0
ECL1509030CH	1500 x 900 x 300	59.10 x 35.40 x 11.80	3	2.5	.10	35.4





[ SOLAR SHIELD TOP ]



Solar Shield Top provides a vented area on top of the enclosure to absorb solar heating effects and help keep enclosure cool. Also provides a drip shield to keep liquids away from the door sealing surface. Aluminum with RAL 7035 textured, light-gray finish inside and out. Maintains enclosure rating. Includes mounting hardware.

**SHIELDING EFFECTIVENESS**

Hoffman's research of the effects of solar radiation on enclosures has shown the positive benefits of utilizing shielding to decrease temperature rise. Shielding has been found to be an effective, low-cost method of reducing solar heat gain in outdoor electrical/electronic applications.

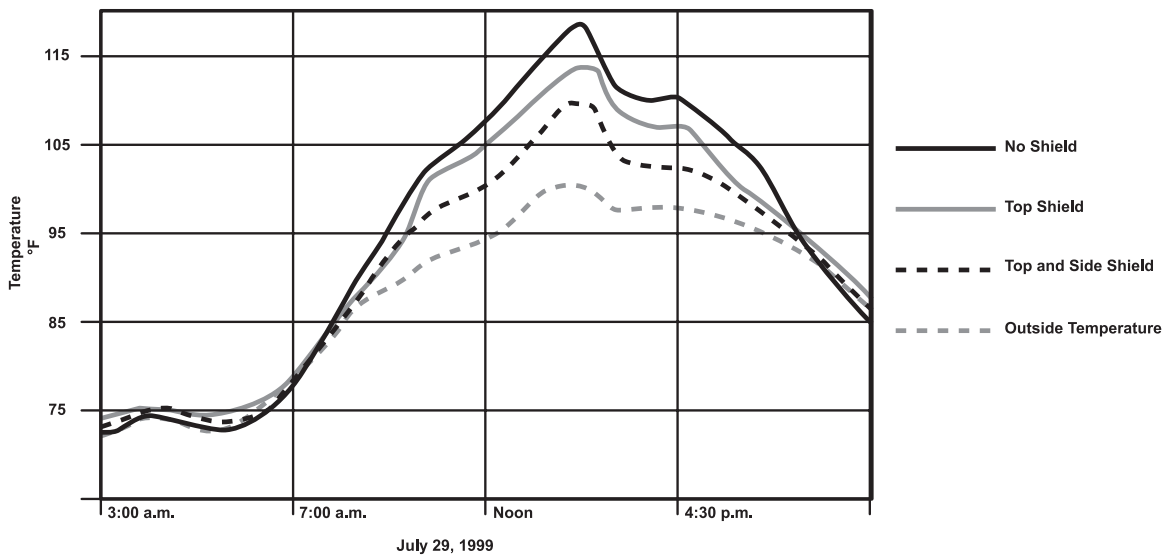
Test results indicate that a top-mounted solar shield provides a 25 percent reduction in temperature rise due to solar heat load.

Item number	Fits B x C mm
ESSH3015	300 x 150
ESSH4015	400 x 150
ESSH4020	400 x 200
ESSH5020	500 x 200
ESSH6020	600 x 200
ESSH6030	600 x 300
ESSH9030	900 x 300

**UNSHIELDED VS. SHIELDED**

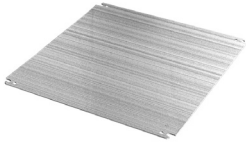
Enclosure Type	Temperature (°F)	Temp. Reduction (%)
Unshielded	118.6	—
Top shield only	114.0	25
Top and side shields	110.1	46

Air Temperature = 100.2 F  
Enclosure color is light-gray (RAL 7035)



The results of the test show the enclosure with top and side shields to have approximately a 46% reduction in temperature compared to the unshielded enclosure. Hoffman offers top shields as an accessory for Hoffman COMLINE® Wall-Mount Enclosures. The reduction in temperature is approximately 25% with the solar shield top only.

[ MOUNTING PANEL ]



Provides a mounting surface in the back of the COMLINE Enclosure for surface-mount components. Mill finish aluminum.

Item number	Fits A x B mm	Height [mm]	Height [inch]	Width [mm]	Width [inch]
EP3030AL	300 x 300	226	8.90	226	8.90
EP4030AL	400 x 300	326	12.84	226	8.90
EP4040AL	400 x 400	326	12.84	326	12.94
EP5040AL	500 x 400	426	16.78	326	12.94
EP5050AL	500 x 500	426	16.78	426	16.78
EP6050AL	600 x 500	526	20.71	426	16.78
EP6060AL	600 x 600	526	20.71	526	20.71
EP8060AL	800 x 600	726	28.59	526	20.71
EP10060AL	1000 x 600	926	36.46	526	20.71
EP12090AL	1200 x 900	1126	44.33	826	32.52
EP15090AL	1500 x 900	1426	56.15	826	32.52

[ RACK ANGLES ]



Rack Angles allow for mounting 19-in. rack equipment in 600 mm wide enclosures. Plated 1,5 mm thick steel with 7 mm diameter holes (through-hole type). Twenty M5 screws and 20 clip nuts included for mounting rack angles to enclosure and for mounting equipment to rack angles.

Item number	Description	Fits A [mm]	Fits A [inch]
ERA196TH	Rack Angles	600	23.62
ERA198TH	Rack Angles	800	31.50
ERA1910TH	Rack Angles	1000	39.37

[ DOOR STOP KIT ]



Self-actuating door stop kit secures doors in the open position. Mounts to top or bottom of door. Stainless steel and aluminum material. Mounting hardware included.

Item number	Description
EDSK	Door Stop Kit

[ CAGE NUT PACKAGE ]



Twenty plated clip nuts fit all rack-mounting angles with 7 mm diameter holes (through-hole type).

Item number	Color	Description	Pkg. Qty.
PM5CN	Silver	M5 cage nut	20
PM6CN	Silver	M6 cage nut	20
PM6CN250	Silver	M6 cage nut	250
P1032CN	Silver	10-32 cage nut	20
P1032CN250	Silver	10-32 cage nut	250
P1224CN	Silver	12-24 cage nut	20
P1224CN250	Silver	12-24 cage nut	250

[ SCREW PACKAGE ]

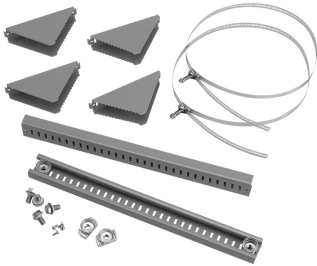
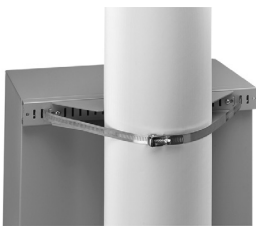


Screws attach rack panels and rack-mounted equipment to rack-mounting angles.

Item number	Color	Description	Pkg. Qty.
ES1224	Silver	12-24 x 5/8 in. combo head	20
ES1224250	Silver	12-24 x 5/8 in. combo head	250
ES1224B	Black	12-24 x 5/8 in. combo head	20
ES1224B250	Black	12-24 x 5/8 in. combo head	250
ASM5	Silver	M5 x 20 mm Combo Head	20
ASM6	Silver	M6 x 16 mm combo head	20
ASM5T	Silver	M5 x 12 mm thread-forming Phillips hex head screws	20
ASM6250	Silver	M6 x 16 mm combo head	250
AS1032	Silver	10-32 x 5/8 in. combo head	20
AS1032250	Silver	10-32 x 5/8 in. combo head	250
AS1032B	Black	10-32 x 5/8 in. combo head	20

Use ASM5T on PROLINE™ frame or Net Series extruded holes.

[ POLE-MOUNT KIT ]



Use to mount CONCEPT, Networking and wall-mount enclosures to poles of various sizes and shapes. Simply attach the plated steel channel bar to the mounting holes at the back of the enclosure and wrap the stainless steel strap around the pole and through the bar. Kit includes two mounting channels, two straps suitable for 76 mm to 305 mm diameter pole and mounting hardware.

Item number	Fits Enclosure [mm]	Fits Enclosure [Inch]
CPMK12	when B = 305	when B = 12.00
CPMK16	when B = 406	when B = 16.00
CPMK20	when B = 508	when B = 20.00
CPMK24	when B = 610	when B = 24.00
CPMK30	when B = 762	when B = 30.00

**[ GROUND BUSS ]**

Use to mount CONCEPT, Networking and wall-mount enclosures to poles of various sizes and shapes. Simply attach the plated steel channel bar to the mounting holes at the back of the enclosure and wrap the stainless steel strap around the pole and through the bar. Kit includes two mounting channels, two straps suitable for 76 mm to 305 mm diameter pole and mounting hardware.

Item number	Description
EGBB1	6-position, double-lug buss
EGBB2	12-position, double-lug buss

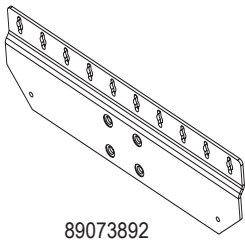
**[ MOUNTING BRACKET KIT ]**



Mounting Bracket Kits are available in stainless steel or composite material. Kit includes 4 brackets and mounting hardware.

Item number	Description
CMFK	Steel
CMFKSS	Stainless Steel
CMTGFT	Composite

**[ WALL MOUNTING BRACKET ]**



Wall Mounting Bracket bolts to enclosure back thread holes and facilitates easy mounting to walls. Made of 2,5 mm thick aluminum with enclosure matching RAL 7035 finish.

Item number	A x B x C in./mm	Description
EMB1	1.73 x 30.20 x 21.26 44 x 767 x 540	Aluminum

[ COMPACT, TYPE 4X ]



**INDUSTRY STANDARDS**

UL 508A Listed; Type 4, 4X, 12, 13; File No. E61997

NEMA/EEMAC Type 4, 4X, 12, 13

CSA File No. 42186: Type 4, 4X, 12, 13

IEC 60529, IP66



**APPLICATION**

For use in indoor or outdoor applications, these stylized enclosures protect components and controls in corrosive environments.

**SCOPE OF DELIVERY**

- Enclosure
- Cover
- Assembly kit
- Installation instruction

**FEATURES**

- Threaded internal bosses provided for mounting optional panels, rails and other components
- Mounting holes provided in corners outside of gasketed area

**SPECIFICATIONS**

- Cast aluminum; no welded seams or sharp corners
- Stainless steel captivated cover screws placed outside sealed area
- Two to four grounding screws located on enclosure back wall
- Oil-resistant O-ring gasket
- Tongue-and-groove sealing construction

**FINISH**

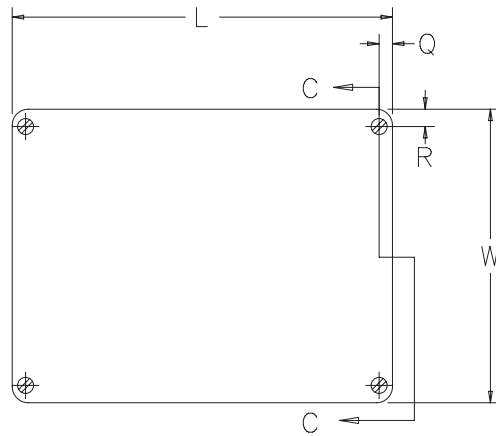
RAL 7042 gray finish inside and out.

*For product specific accessories, please go to the end of each subsection.  
For other general accessories, please refer to the chapter "Accessories".*

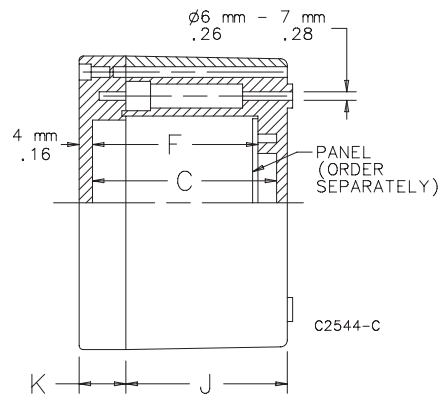
STANDARD PRODUCT

Item number	AxBxC mm/in.	External Dimensions L x W mm/in.	Conductive Panel	Panel Size D x E mm/in.	Mounting G x H mm/in.	F mm/in.	J mm/in.	K mm/in.	M mm/in.	N mm/in.	T mm/in.
CCA886	67 x 72 x 47 2.64 x 2.83 x 1.85	75 x 80 2.95 x 3.15	CCAP88	64 x 69 2.52 x 2.72	52 x 63 2.05 x 2.48	41 1.61	41 1.61	13 0.51	30 1.18	48 1.89	4 0.16
CCA1286	116 x 71 x 51 4.57 x 2.80 x 2.01	125 x 80 4.92 x 3.15	CCAP128	114 x 69 4.49 x 2.72	52 x 113 2.05 x 4.45	45 1.77	42 1.65	15 0.59	30 1.18	48 1.89	4 0.16
CCA1886	167 x 72 x 47 6.57 x 2.83 x 1.85	175 x 80 6.89 x 3.15	CCAP188	164 x 69 6.46 x 2.72	52 x 163 2.05 x 6.42	41 1.61	41 1.61	13 0.51	30 1.18	48 1.89	4 0.16
CCA12128	122 x 122 x 80 4.80 x 4.80 x 3.10	122 x 122 4.80 x 4.80	CCAP1212	109 x 108 4.29 x 4.26	82 x 106 3.23 x 4.17	63 2.48	60 2.36	20 0.79	52 2.05	—	4 0.16
CCA22128	220 x 120 x 80 8.70 x 4.70 x 3.10	220 x 122 8.66 x 4.80	CCAP2212	204 x 108 8.04 x 4.26	82 x 204 3.23 x 8.03	63 2.48	60 2.36	20 0.79	52 2.05	—	4 0.16
CCA16169	160 x 160 x 90 6.30 x 6.30 x 3.50	160 x 160 6.30 x 6.30	CCAP1616	146 x 146 5.75 x 5.75	110 x 140 4.33 x 5.51	73 2.87	70 2.76	20 0.79	76 2.99	—	4 0.16
CCA26169	260 x 160 x 90 10.20 x 6.30 x 3.50	260 x 160 10.23 x 6.30	CCAP2616	246 x 146 9.69 x 5.75	110 x 240 4.33 x 9.45	73 2.87	70 2.76	20 0.79	76 2.99	—	4 0.16
CCA36169	360 x 160 x 90 14.20 x 6.30 x 3.50	360 x 160 14.17 x 6.30	CCAP3616	346 x 146 13.63 x 5.75	110 x 340 4.33 x 13.39	73 2.87	70 2.76	20 0.79	76 2.99	—	4 0.16
CCA202311	200 x 230 x 110 7.90 x 9.10 x 4.30	200 x 230 7.87 x 9.06	CCAP2023	185 x 215 7.29 x 8.47	180 x 180 7.09 x 7.09	93 3.66	90 3.54	20 0.79	80 3.15	144 5.67	4 0.16
CCA332311	330 x 230 x 110 13.00 x 9.10 x 4.30	330 x 230 12.99 x 9.06	CCAP3323	315 x 215 12.41 x 8.47	180 x 310 7.09 x 12.21	93 3.66	90 3.54	20 0.79	80 3.15	144 5.67	4 0.16
CCA332318	330 x 230 x 180 13.00 x 9.10 x 7.10	330 x 230 12.99 x 9.06	CCAP3323	315 x 215 12.41 x 8.47	180 x 310 7.09 x 12.21	162 6.38	160 6.30	20 0.79	100 3.94	144 5.67	4 0.16

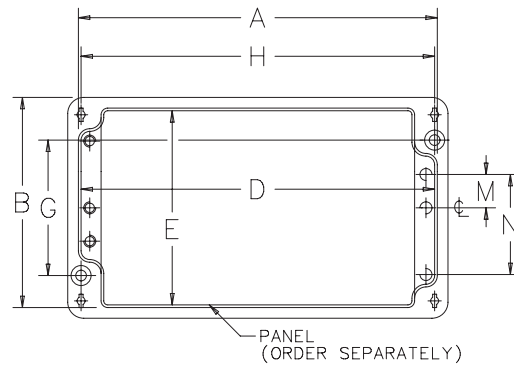
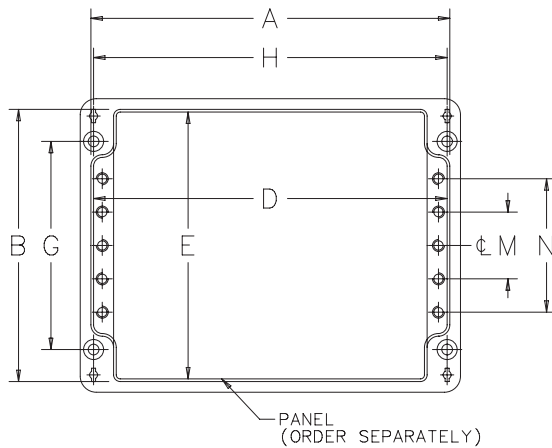
A x B x C are internal dimensions.  
Purchase panels separately.  
CCA886, CCA1286 and CCA1886 enclosures have only two mounting holes.



TOP VIEW



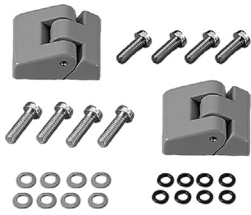
SECTION C-C



(CCA886, CCA1286, CCA1886 ONLY)

TOP VIEW WITH COVER REMOVED

[ HINGE KIT ]



Made of die-cast aluminum. Angle rotation approximately 170 degrees. Mounting template and stainless steel hardware included. Two hinges per kit.  
*Hinge kit not available for CCA886, CCA1286 or CCA1886.*

Item number	Product Weight kg/lb.
CCAHK	.05/0.1

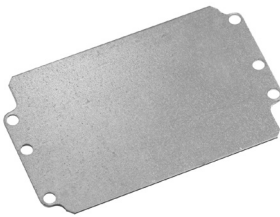
[ MOUNTING BRACKET KIT ]



Mounting brackets are made of non-corrosive 2 mm thick steel alloy. Two or four brackets per kit. Stainless steel mounting screws and installation instructions are included.

Item number	Description	Fits
CCAMF12	Two brackets	Enclosures CCA12128 and CCA22128
CCAMF16	Two brackets	Enclosures CCA16169 and CCA36169
CCAMF31	Four brackets	Enclosures CCA202311, CCA332311 and CCA332318

[ PANELS ]



Made of plated steel. Permits electro-mechanical components to be mounted inside the enclosure.

Item number	Panel Size D x E mm	Panel Size D x E in.
CCAP88	64 x 69	2.52 x 2.72
CCAP128	114 x 69	4.49 x 2.72
CCAP188	164 x 69	6.46 x 2.72
CCAP1212	109 x 108	4.29 x 4.26
CCAP2212	204 x 108	8.04 x 4.26
CCAP1616	146 x 146	5.75 x 5.75
CCAP2616	246 x 146	9.69 x 5.75
CCAP3616	346 x 146	13.63 x 5.75
CCAP2023	185 x 215	7.29 x 8.47
CCAP3323	315 x 215	12.41 x 8.47
CCAP4031	387 x 294	15.25 x 11.58
CCAP6031	585 x 294	23.05 x 11.58

[ DIN TYPE RAILS ]



DIN Type Rails receive terminal blocks, relays, switches, filters, timers and various other electrical and electronic components. Lengths fit size of enclosure. All DIN rails made of plated steel.

Item number	Description	Fits
CCADR8S1	Plated DIN rail Type TS-15	A = 67 mm
CCADR12S1	Plated DIN rail Type TS-15	A = 116 mm
CCADR18S1	Plated DIN rail Type TS-15	A = 167 mm
CCADR12S2	Plated DIN rail Type TS-35	A = 116 mm
CCADR22S2	Plated DIN rail Type TS-35	A = 210 mm
CCADR16S2	Plated DIN rail Type TS-35	A = 149 mm
CCADR26S2	Plated DIN rail Type TS-35	A = 249 mm
CCADR36S2	Plated DIN rail Type TS-35	A = 349 mm
CCADR20S2	Plated DIN rail Type TS-35	A = 189 mm
CCADR33S2	Plated DIN rail Type TS-35	A = 313 mm

ALUMINUM TYPE 4X ACCESSORY SELECTION MATRIX (IP66)

Item number	CCA886	CCA1286	CCA1886	CCA12128	CCA22128	CCA16169	CCA26169	CCA36169	CCA202311	CCA332311	CCA332318
<b>Hinge Kit</b>											
CCAHK				•	•	•	•	•	•	•	•
<b>Mounting Bracket Kit</b>											
CCAMF12				•	•						
CCAMF16						•		•			
CCAMF31									•	•	•
<b>Panels</b>											
CCAP88	•										
CCAP128		•									
CCAP188			•								
CCAP1212				•							
CCAP2212					•						
CCA01616						•					
CCAP2616							•				
CCAP3616								•			
CCAP2023									•		
CCAP3323										•	•
<b>DIN Type Rails</b>											
CCADR8S1	•										
CCADR12S1		•									
CCADR18S1			•								
CCADR12S2				•							
CCADR22S2					•						
CCADR16S2						•					
CCADR26S2							•				
CCADR36S2								•			
CCADR20S2									•		
CCADR33S2										•	•



