



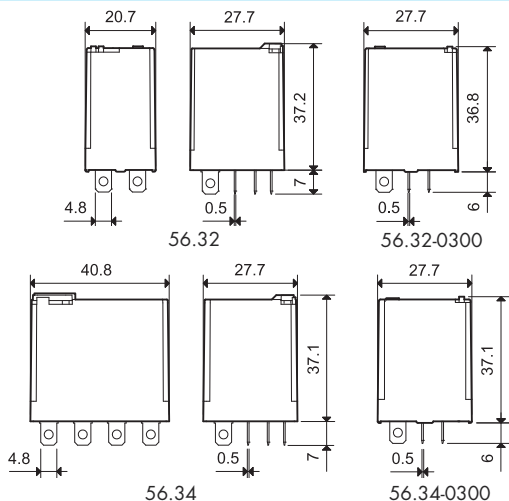
Automatización Eléctrica
Especialistas en Automatización

At the end of this document you will find links to products related to this catalog. You can go directly to our shop by clicking [HERE](#). [HERE](#)

Features

Plug-in - 12 A Power relay, 2 & 4 pole

- Flange mount option - (Faston 187, 4.8x0.5 mm termination)
- AC coils & DC coils
- Lockable test button and mechanical flag indicator
- Cadmium Free contacts (standard version)
- Contact material options
- 96 series sockets
- Coil EMC suppression
- Accessories
- European Patent



* For 4 CO (4PDT) or 4 NO only.

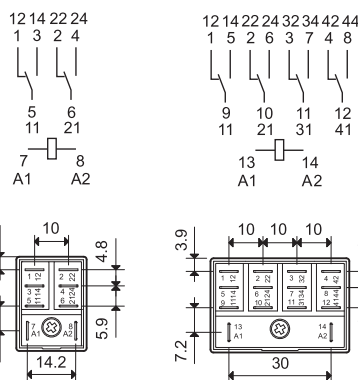
FOR UL RATINGS SEE:

"General technical information" page V

56.32/56.34



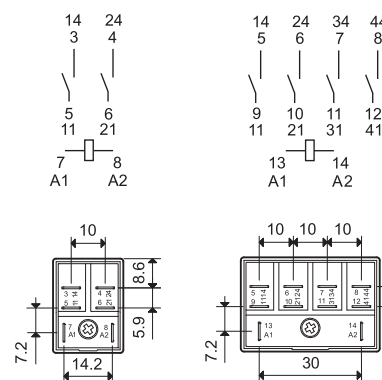
- 2 or 4 pole changeover contact
- Plug-in/Faston 187



56.32-0300/56.34-0300



- 2 or 4 pole normally open contact (≥ 1.5 mm gap)
- Plug-in/Faston 187



Contact specification

Contact configuration	2 CO (DPDT)	4 CO (4PDT)	2NO (DPSTNO) ≥ 1.5 mm gap	4NO (4PSTNO) ≥ 1.5 mm gap
Rated current/Maximum peak current	A 12/20		12/20	
Rated voltage/Maximum switching voltage V AC	250/400		250/400	
Rated load AC1	VA 3,000		3,000	
Rated load AC15 (230 V AC)	VA 700		700	
Single phase motor rating (230 V AC)	kW 0.55		0.55	
Breaking capacity DC1: 30/110/220 V	A 12/0.5/0.25		12/1/0.5	
Minimum switching load	mW (V/mA) 500 (10/5)		500 (10/5)	
Standard contact material	AgNi		AgNi	

Coil specification

Nominal voltage (U_N)	V AC (50/60 Hz)	6 - 12 - 24 - 48 - 60 - 110 - 120 - 230 - 240 - 400*			
	V DC	6 - 12 - 24 - 48 - 60 - 110 - 125 - 220		—	
Rated power AC/DC	VA (50 Hz)/W	1.5/1	2/1.3	1.5/—	2/—
Operating range	AC	$(0.8...1.1)U_N$		$(0.85...1.1)U_N$	
	DC	$(0.8...1.1)U_N$	$(0.85...1.1)U_N$	—	
Holding voltage	AC/DC	0.8 U_N /0.6 U_N		0.85 U_N /—	
Must drop-out voltage	AC/DC	0.2 U_N /0.1 U_N		0.2 U_N /—	

Technical data

Mechanical life AC/DC	cycles	20 · 10 ⁶ /50 · 10 ⁶		20 · 10 ⁶ /—	
Electrical life at rated load AC1	cycles	100 · 10 ³		100 · 10 ³	
Operate/release time	ms	8/3	10/4	8/4	
Insulation between coil and contacts (1.2/50 μ s)	kV	4	5	4	5
Dielectric strength between open contacts	V AC	1,000		2,000	
Ambient temperature range	°C	-40...+70		-40...+70	
Environmental protection		RT I		RT I	

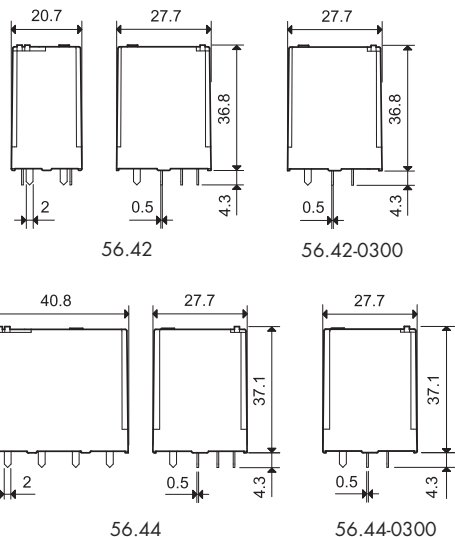
Approvals (according to type)



Features

Printed circuit mount
12 A Power relay

- 2 & 4 pole
- AC coils & DC coils
- Cadmium Free contacts (standard version)
- Contact material option
- RT III (wash tight) option available

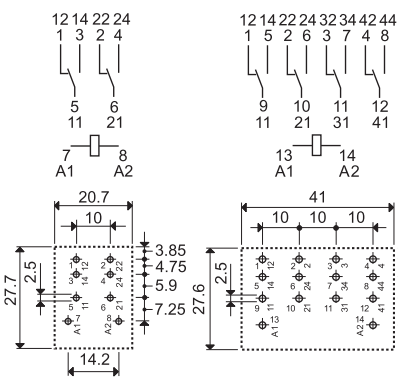


* For 4 CO (4PDT) or 4 NO only.
FOR UL RATINGS SEE:
"General technical information" page V

56.42/56.44



- 2 or 4 pole changeover contact
- PCB mount

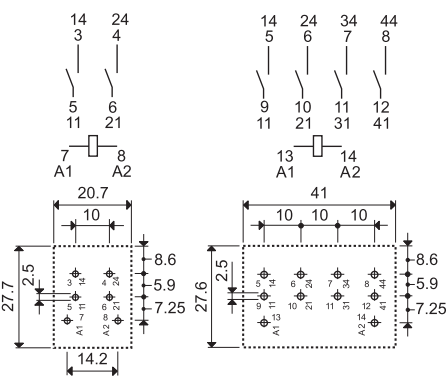


56.42 Copper side view 56.44 Copper side view

56.42-0300/56.44-0300



- 2 or 4 pole normally open contact (≥ 1.5 mm gap)
- PCB mount



56.42-0300 Copper side view 56.44-0300 Copper side view

Contact specification		2 CO (DPDT)		4 CO (4PDT)		2NO (DPSTNO) - ≥1.5mm gap		4NO (4PSTNO) - ≥1.5mm gap	
Contact configuration		2 CO (DPDT)		4 CO (4PDT)		2NO (DPSTNO) - ≥1.5mm gap		4NO (4PSTNO) - ≥1.5mm gap	
Rated current/Maximum peak current	A	12/20		12/20		12/20		12/20	
Rated voltage/Maximum switching voltage	V AC	250/400		250/400		250/400		250/400	
Rated load AC1	VA	3,000		3,000		3,000		3,000	
Rated load AC15 (230 V AC)	VA	700		700		700		700	
Single phase motor rating (230 V AC)	kW	0.55		0.55		0.55		0.55	
Breaking capacity DC1: 30/110/220 V	A	12/0.5/0.25		12/0.5/0.25		12/1/0.5		12/1/0.5	
Minimum switching load	mW (V/mA)	500 (10/5)		500 (10/5)		500 (10/5)		500 (10/5)	
Standard contact material		AgNi		AgNi		AgNi		AgNi	
Coil specification									
Nominal voltage (U _N)	V AC (50/60 Hz)	6 - 12 - 24 - 48 - 60 - 110 - 120 - 230 - 240 - 400*							
	V DC	6 - 12 - 24 - 48 - 60 - 110 - 125 - 220				-			
Rated power AC/DC	VA (50 Hz)/W	1.5/1		2/1.3		1.5/-		2/-	
Operating range	AC	(0.8...1.1)U _N				(0.85...1.1)U _N			
	DC	(0.8...1.1)U _N		(0.85...1.1)U _N		-			
Holding voltage	AC/DC	0.8 U _N /0.6 U _N				0.85 U _N /-			
Must drop-out voltage	AC/DC	0.2 U _N /0.1 U _N				0.2 U _N /-			
Technical data									
Mechanical life AC/DC	cycles	20 · 10 ⁶ /50 · 10 ⁶				20 · 10 ⁶ /-			
Electrical life at rated load AC1	cycles	100 · 10 ³				100 · 10 ³			
Operate/release time	ms	8/3		10/4		8/4			
Insulation between coil and contacts (1.2/50 μs)	kV	4		5		4		5	
Dielectric strength between open contacts	V AC	1,000				2,000			
Ambient temperature range	°C	-40...+70				-40...+70			
Environmental protection		RT I				RT I			
Approvals (according to type)									

Ordering information

Example: 56 series plug-in relay, 2 CO (DPDT), 12 V DC coil, lockable test button and mechanical indicator.

5 6 . 3 2 . 9 . 0 1 2 . 0 0 4 0

Series ————

Type
3 = Plug-in
4 = PCB

No. of poles
2 = 2 pole, 12 A
4 = 4 pole, 12 A

Coil version
8 = AC (50/60 Hz)
9 = DC

Coil voltage
See coil specifications

A: Contact material
0 = Standard AgNi
2 = AgCdO
4 = AgSnO₂

B: Contact circuit
0 = CO (nPDT)
3 = NO (nPST), ≥ 1.5 mm contact gap

D: Special versions
0 = Standard
1 = Wash tight (RT III) for 56.42 and 56.44 only
6 = Rear flange mount (4 pole only)
8 = Rear 35 mm rail mount (4 pole only)
For other mounting options see page 6

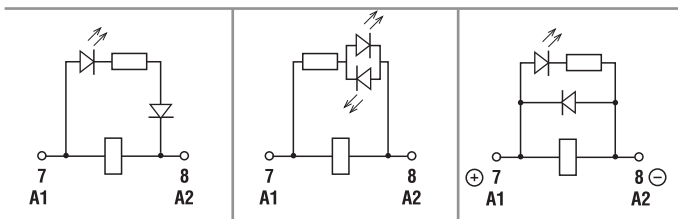
C: Options
0 = None
2 = Mechanical indicator
3* = LED (AC)
4 = Lockable test button+mechanical indicator
5* = Lockable test button + LED (AC)
54* = Lockable test button + LED (AC) + mechanical indicator
6* = Double LED (DC non-polarized)
7* = Lockable test button + double LED (DC non-polarized)
74* = Lockable test button + double LED (DC non-polarized) + mechanical indicator
8* = LED + diode (DC, polarity positive to pin 7) for 56.32 only
9* = Lockable test button + LED + diode (DC, polarity positive to pin 7) for 56.32 only
94* = Lockable test button + LED + diode (DC, polarity positive to pin 7) + mechanical indicator for 56.32 only
* Options not available for 220 V DC and 400 V AC versions.

Selecting features and options: only combinations in the same row are possible.
Preferred selections for best availability are shown in **bold**.

Type	Coil version	A	B	C	D
56.32	AC	0 - 2 - 4	0	0 - 2 - 3 - 4 - 5	0
	AC	0 - 2 - 4	0	54	/
	AC	0 - 2 - 4	3	0 - 3 - 5	0
	DC	0 - 2 - 4	0	0 - 2 - 4 - 6 - 7 - 8 - 9	0
56.34	AC	0 - 2 - 4	0	0 - 2 - 3 - 4 - 5	0 - 6 - 8
	AC	0 - 2 - 4	0	54	/
	AC	0 - 2 - 4	0 - 3	0 - 3 - 5	0
	DC	0 - 2 - 4	0	0 - 2 - 4 - 6 - 7	0 - 6 - 8
	DC	0 - 2 - 4	0	74	/
56.42	DC	0 - 2 - 4	0	0	0 - 1
	AC	0 - 2 - 4	0 - 3	0	0 - 1
56.44	AC-DC	0 - 2 - 4	0	0	0 - 1
	AC	0 - 2 - 4	0 - 3	0	0 - 1

Special versions for Rail Applications on request

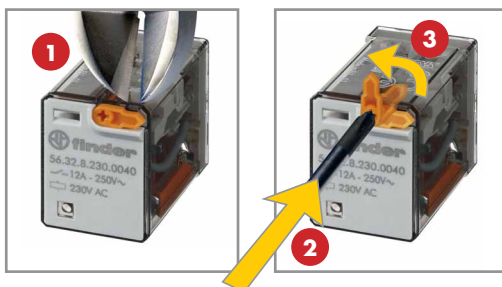
Descriptions: options and special versions



C: Option 3, 5, 54
LED (AC)

C: Option 6, 7, 74
Double LED
(DC non-polarized)

C: Option 8, 9, 94
LED + diode (DC, polarity positive to pin 7) - (56.32 only)



Lockable test button and mechanical flag indicator (0040, 0050, 0054, 0070, 0074, 0090, 0094)

The dual-purpose Finder test button can be used in two ways:

Case 1) The plastic pip (located directly above the test button) remains intact. In this case, when the test button is pushed, the contacts operate. When the test button is released the contacts return to their former state.

Case 2) The plastic pip is broken-off (using an appropriate cutting tool). In this case, (in addition to the above function), when the test button is pushed and rotated, the contacts are latched in the operating state, and remain so until the test button is rotated back to its former position.

In both cases ensure that the test button actuation is swift and decisive.

Technical data

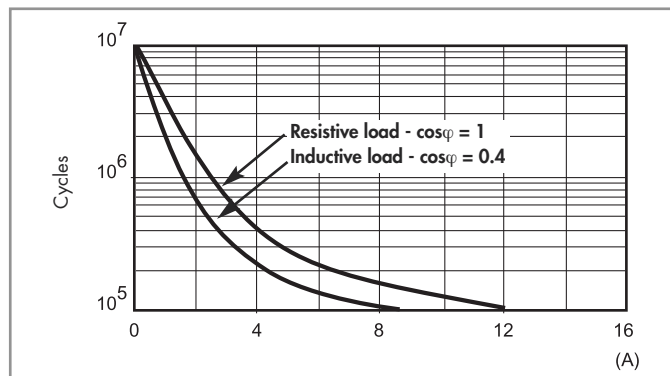
*Only in applications where over voltage category II is permitted. In applications of over voltage category III: Micro-disconnection.

Insulation according to EN 61810-1		2 CO - 4 CO		2 NO - 4 NO	
Nominal voltage of supply system	V AC	230/400		230/400	
Rated insulation voltage	V AC	250	400	250	400
Pollution degree		3	2	3	2
Insulation between coil and contact set					
Type of insulation		Basic		Basic	
Overvoltage category		III		III	
Rated impulse voltage	kV (1.2/50 μs)	4		4	
Dielectric strength	V AC	2,500		2,500	
Insulation between adjacent contacts					
Type of insulation		Basic		Basic	
Overvoltage category		III		III	
Rated impulse voltage	kV (1.2/50 μs)	4		4	
Dielectric strength	V AC	2,500		2,500	
Insulation between open contacts					
Type of disconnection		Micro-disconnection		Full-disconnection*	
Overvoltage category		—		II	
Rated impulse voltage	kV (1.2/50 μs)	—		2.5	
Dielectric strength	V AC/(1.2/50 μs)	1,000/1.5		2,000/3	
Conducted disturbance immunity					
Burst (5...50) ns, 5 kHz, on A1 - A2		EN 61000-4-4		level 4 (4 kV)	
Surge (1.2/50 μs) on A1 - A2 (differential mode)		EN 61000-4-5		level 4 (4 kV)	
Other data					
Bounce time: NO/NC	ms	1/4 (changeover)		3/— (normally open)	
Vibration resistance (10...150 Hz): NO/NC	g	17/14			
Shock resistance NO/NC	g	20/14			
Power lost to the environment	without contact current	W	1 (56.32, 56.42)		1.3 (56.34, 56.44)
	with rated current	W	3.8 (56.32, 56.42)		6.9 (56.34, 56.44)
Recommended distance between relays mounted on PCB	mm	≥ 5			

Contact specification

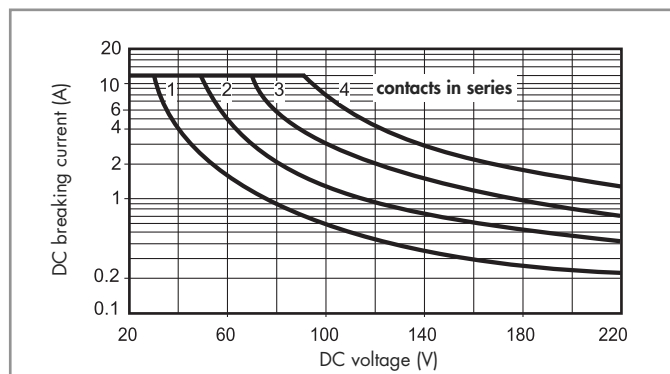
F 56 - Electrical life (AC) v contact current

2 - 4 pole relays



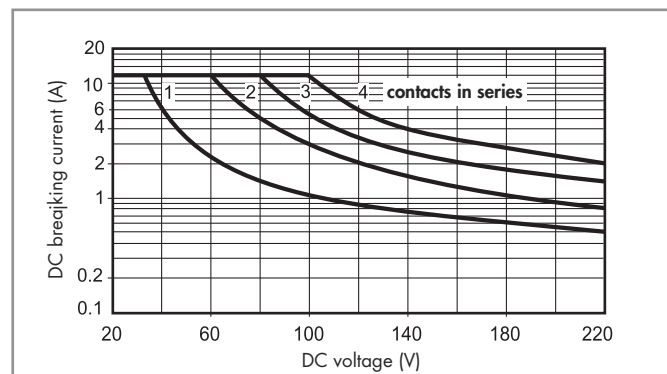
H 56 - Maximum DC1 breaking capacity

Changeover version



H 56 - Maximum DC1 breaking capacity

Normally open version



- When switching a resistive load (DC1) having voltage and current values under the curve, an electrical life of $\geq 100 \cdot 10^3$ can be expected.
- In the case of DC13 loads, the connection of a diode in parallel with the load will permit a similar electrical life as for a DC1 load.
Note: the release time of the load will be increased.

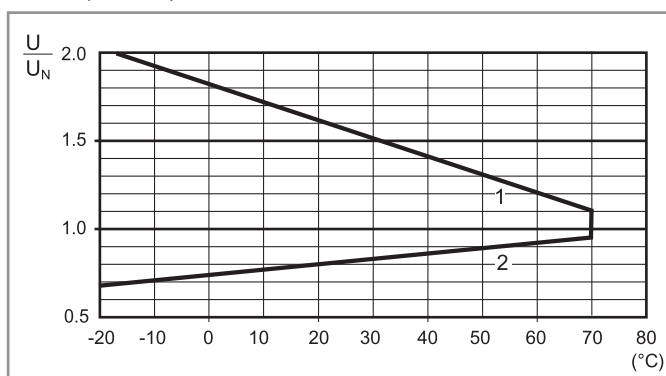
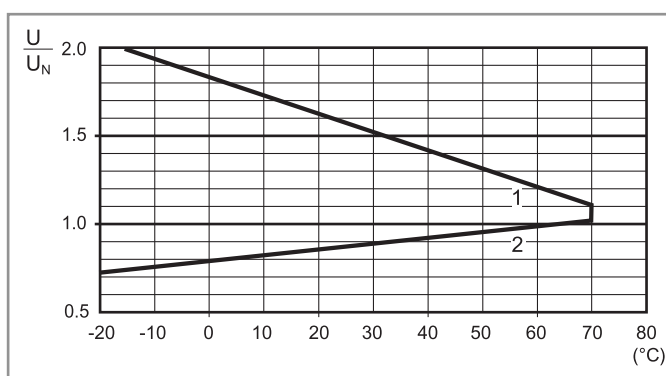
Coil specifications

DC coil data, 2 pole relay

Nominal voltage U_N	Coil code	Operating range		Resistance R	Rated coil consumption I at U_N
		U_{min}	U_{max}		
V		V	V	Ω	mA
6	9.006	4.8	6.6	40	150
12	9.012	9.6	13.2	140	86
24	9.024	19.2	26.4	600	40
48	9.048	38.4	52.8	2,400	20
60	9.060	48	66	4,000	15
110	9.110	88	121	12,500	8.8
125	9.125	100	138	17,300	7.2
220	9.220	176	242	54,000	4

DC coil data, 4 pole relay

Nominal voltage U_N	Coil code	Operating range		Resistance R	Rated coil consumption I at U_N
		U_{min}	U_{max}		
V		V	V	Ω	mA
6	9.006	5.1	6.6	32.5	185
12	9.012	10.2	13.2	123	97
24	9.024	20.4	26.4	490	49
48	9.048	40.8	52.8	1,800	27
60	9.060	51	66	3,000	20
110	9.110	93.5	121	10,400	10.5
125	9.125	107	138	14,200	8.8
220	9.220	187	242	44,000	5

R 56 - DC coil operating range v ambient temperature
2 pole relayR 56 - DC coil operating range v ambient temperature
4 pole relay

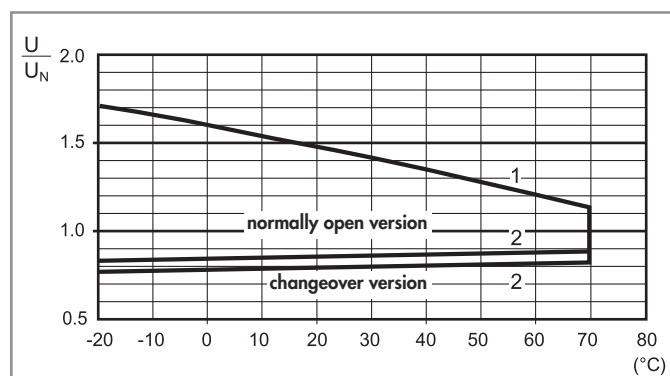
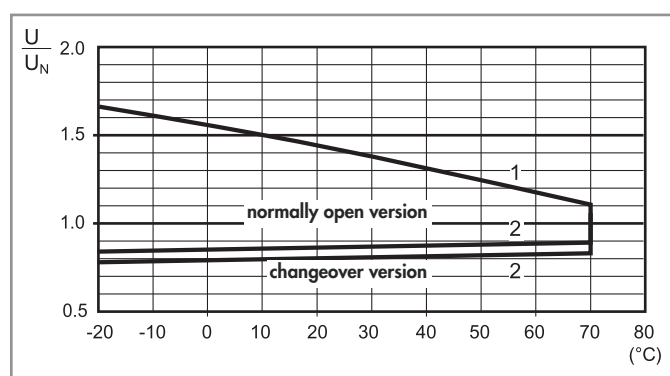
AC coil data, 2 pole relay

Nominal voltage U_N	Coil code	Operating range		Resistance R	Rated coil consumption I at U_N (50Hz)
		U_{min}^*	U_{max}		
V		V	V	Ω	mA
6	8.006	4.8	6.6	12	200
12	8.012	9.6	13.2	50	97
24	8.024	19.2	26.4	190	53
48	8.048	38.4	52.8	770	25
60	8.060	48	66	1,200	21
110	8.110	88	121	3,940	12.5
120	8.120	96	132	4,700	12
230	8.230	184	253	17,000	6
240	8.240	192	264	19,100	5.3

* $U_{min} = 0.85 U_N$ for normally open version.

AC coil data, 4 pole relay or 4 NO

Nominal voltage U_N	Coil code	Operating range		Resistance R	Rated coil consumption I at U_N (50Hz)
		U_{min}^*	U_{max}		
V		V	V	Ω	mA
6	8.006	4.8	6.6	5.7	300
12	8.012	9.6	13.2	22	150
24	8.024	19.2	26.4	81	90
48	8.048	38.4	52.8	380	37
60	8.060	48	66	600	30
110	8.110	88	121	1,900	16.5
120	8.120	96	132	2,560	13.4
230	8.230	184	253	7,700	9
240	8.240	192	264	10,000	7.5
400	8.400	320	440	26,000	4.9

* $U_{min} = 0.85 U_N$ for normally open version.R 56 - AC coil operating range v ambient temperature
2 pole relayR 56 - AC coil operating range v ambient temperature
4 pole relay or 4 NO

1 - Max. permitted coil voltage.
2 - Min. pick-up voltage with coil at ambient temperature.

Accessories

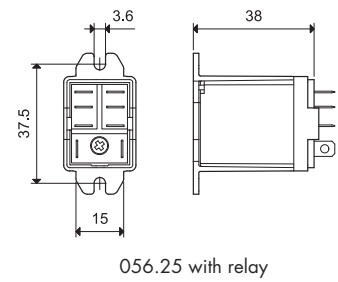
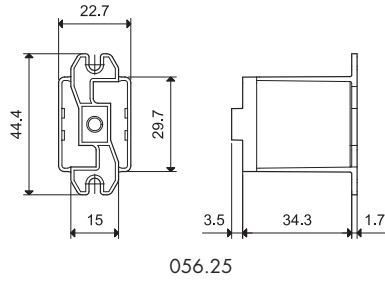


056.25

056.25 with relay

Top flange mount adaptor for 56.32

056.25

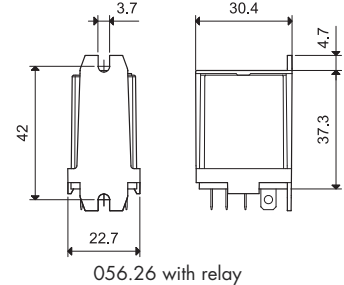
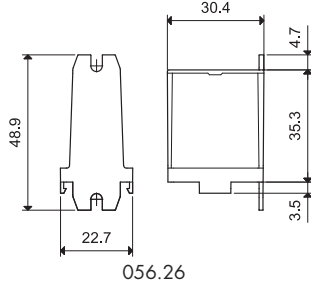


056.26

056.26 with relay

Rear flange mount adaptor for 56.32

056.26

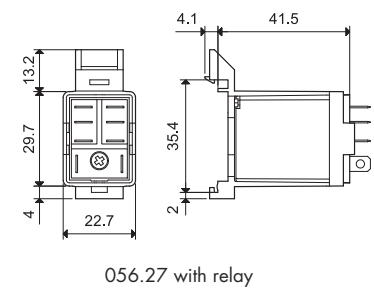
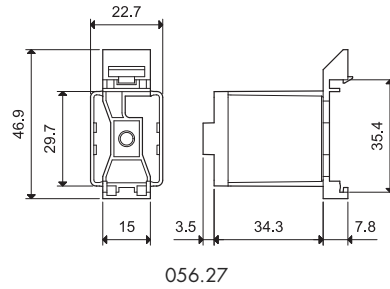


056.27

056.27 with relay

Top 35 mm rail (EN 60715) adaptor for 56.32

056.27

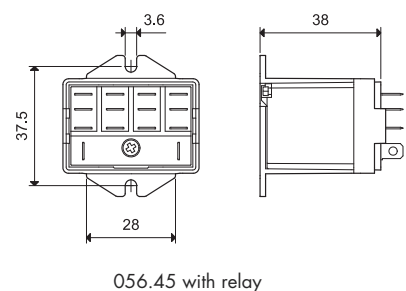
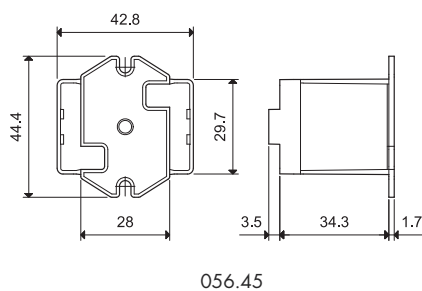


056.45

056.45 with relay

Top flange mount adaptor for 56.34

056.45

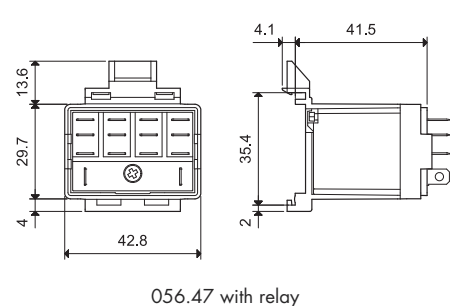
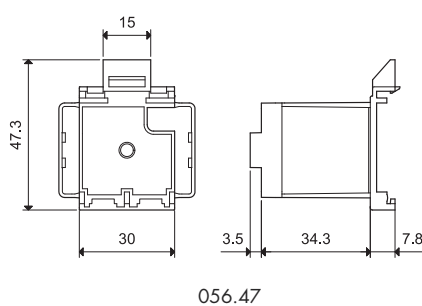


056.47

056.47 with relay

Top 35 mm rail (EN 60715) adaptor for 56.34

056.47



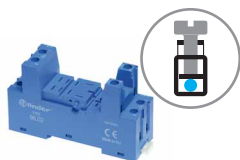
060.72

Sheet of marker tags for relay type 56.34, plastic, 72 tags, 6x12 mm

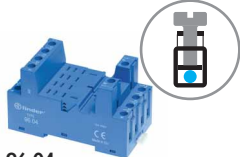
060.72



96 Series - Sockets and accessories for 56 series relays



96.02
Approvals
(according to type):



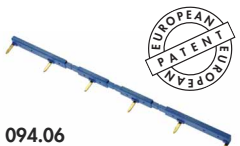
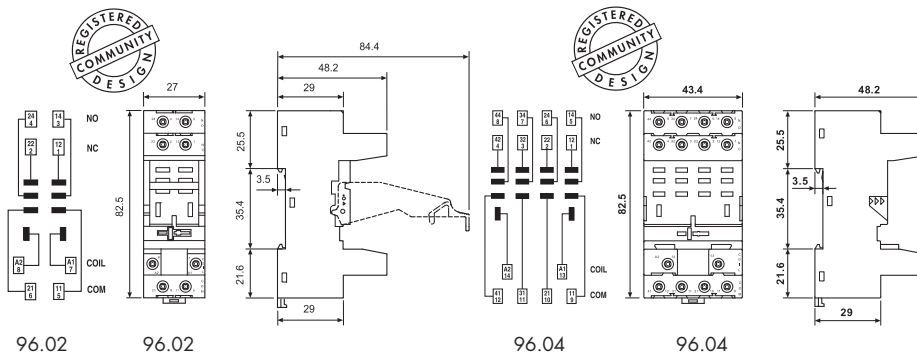
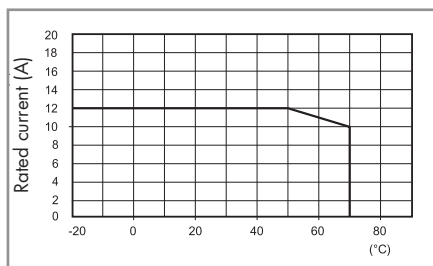
96.04
Approvals
(according to type):



094.91.3

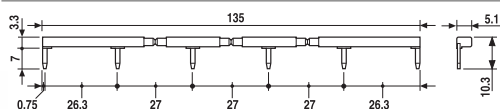
Screw terminal (Box clamp) socket panel or 35 mm (EN 60715) rail mount	96.02	96.02.0	96.04	96.04.0
	Blue	Black	Blue	Black
For relay type	56.32		56.34	
Accessories				
Metal retaining clip (supplied with socket - packaging code SMA)	094.71		096.71	
Plastic retaining and release clip (supplied with socket - packaging code SPA)	094.91.3	094.91.30	—	—
6-way jumper link	094.06	094.06.0	—	—
Identification tag	095.00.4		090.00.2	
Modules (see table below)	99.02			
Timer modules (see table below)	86.30		86.00, 86.30	
Sheet of marker tags for retaining and release clip 094.91.3 plastic, 72 tags, 6x12 mm	060.72		—	
Technical data				
Rated values	12 A - 250 V			
Dielectric strength	2 kV AC			
Protection category	IP 20			
Ambient temperature	°C -40...+70 (see diagram L96)			
⊕ Screw torque	Nm	0.8		
Wire strip length	mm	8		
Max. wire size for 94.02/04 sockets		solid wire	stranded wire	
	mm ²	1x6 / 2x2.5		1x4 / 2x2.5
	AWG	1x10 / 2x14		1x12 / 2x14

L 96 - Rated current vs ambient temperature



094.06

6-way jumper link for 96.02 socket	094.06 (blue)	094.06.0 (black)
Rated values	10 A - 250 V	



86.00

86 series timer modules		
Multi-voltage: (12...240)V AC/DC;		
Multi-functions: AI, DI, SW, BE, CE, DE, EE, FE; (0.05 s... 100 h)	86.00.0.240.0000	
(12...24)V AC/DC; Bi-function: AI, DI; (0.05 s... 100 h)	86.30.0.024.0000	
(110...125)V AC; Bi-function: AI, DI; (0.05s...100h)	86.30.8.120.0000	
(230...240)V AC; Bi-function: AI, DI; (0.05 s... 100 h)	86.30.8.240.0000	

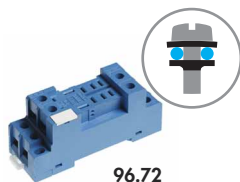


86.30

Approvals (according to type):

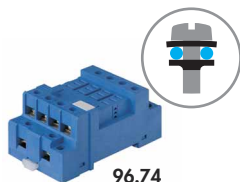
99.02 coil indication and EMC suppression modules for 96.02 and 96.04 sockets		
Diode (+A1, standard polarity)	(6...220)V DC	99.02.3.000.00
LED	(6...24)V DC/AC	99.02.0.024.59
LED	(28...60)V DC/AC	99.02.0.060.59
LED	(110...240)V DC/AC	99.02.0.230.59
LED + Diode (+A1, standard polarity)	(6...24)V DC	99.02.9.024.99
LED + Diode (+A1, standard polarity)	(28...60)V DC	99.02.9.060.99
LED + Diode (+A1, standard polarity)	(110...220)V DC	99.02.9.220.99
LED + Varistor	(6...24)V DC/AC	99.02.0.024.98
LED + Varistor	(28...60)V DC/AC	99.02.0.060.98
LED + Varistor	(110...240)V DC/AC	99.02.0.230.98
RC circuit	(6...24)V DC/AC	99.02.0.024.09
RC circuit	(28...60)V DC/AC	99.02.0.060.09
RC circuit	(110...240)V DC/AC	99.02.0.230.09
Residual current by-pass	(110...240)V AC	99.02.8.230.07

VIII-2013, www.findernet.com
Approvals (according to type):
DC Modules with non-standard polarity (+A2) on request.



96.72

Approvals
(according to type):



96.74

Approvals
(according to type):



99.01

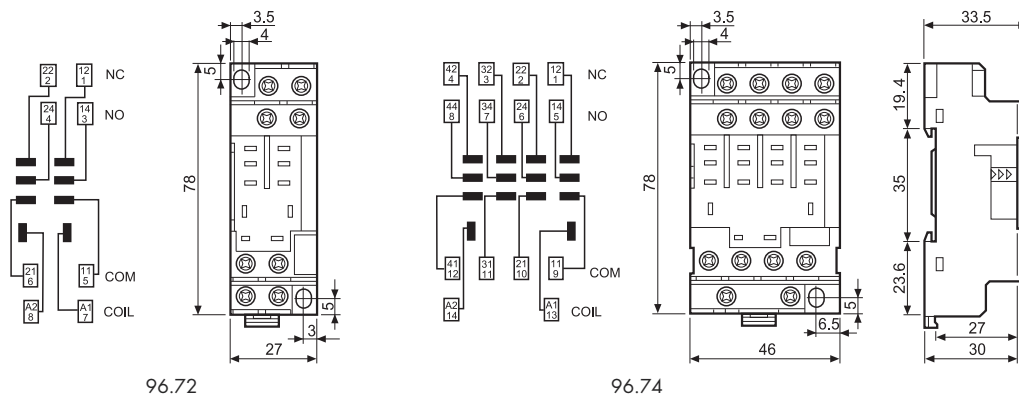
Approvals
(according to type):



* Modules in Black housing are available on request.

Green LED is standard. Red LED available on request.

Screw terminal (Plate clamp) socket	96.72	96.72.0	96.74	96.74.0
panel or 35 mm rail (EN 60715) mount	Blue	Black	Blue	Black
For relay type	56.32		56.34	
Accessories				
Metal retaining clip (supplied with socket - packaging code SMA)	094.71		096.71	
Modules (see table below)	99.01			
Technical data				
Rated values	12 A - 250 V			
Dielectric strength	2 kV AC			
Protection category	IP 20			
Ambient temperature	°C -40...+70			
⊕ Screw torque	Nm 0.8			
Wire strip length	mm 10			
Max. wire size for 96.72 and 96.74 sockets	solid wire		stranded wire	
	mm ²	1x4 / 2x4	1x4 / 2x2.5	
	AWG	1x12 / 2x12	1x12 / 2x14	



99.01 coil indication and EMC suppression modules for types 96.72 and 96.74 sockets

		Blue*
Diode (+A1, standard polarity)	(6...220)V DC	99.01.3.000.00
Diode (+A2, non-standard polarity)	(6...220)V DC	99.01.2.000.00
LED	(6...24)V DC/AC	99.01.0.024.59
LED	(28...60)V DC/AC	99.01.0.060.59
LED	(110...240)V DC/AC	99.01.0.230.59
LED + Diode (+A1, standard polarity)	(6...24)V DC	99.01.9.024.99
LED + Diode (+A1, standard polarity)	(28...60)V DC	99.01.9.060.99
LED + Diode (+A1, standard polarity)	(110...220)V DC	99.01.9.220.99
LED + Diode (+A2, non-standard polarity)	(6...24)V DC	99.01.9.024.79
LED + Diode (+A2, non-standard polarity)	(28...60)V DC	99.01.9.060.79
LED + Diode (+A2, non-standard polarity)	(110...220)V DC	99.01.9.220.79
LED + Varistor	(6...24)V DC/AC	99.01.0.024.98
LED + Varistor	(28...60)V DC/AC	99.01.0.060.98
LED + Varistor	(110...240)V DC/AC	99.01.0.230.98
RC circuit	(6...24)V DC/AC	99.01.0.024.09
RC circuit	(28...60)V DC/AC	99.01.0.060.09
RC circuit	(110...240)V DC/AC	99.01.0.230.09
Residual current by-pass	(110...240)V AC	99.01.8.230.07

96 Series - Sockets and accessories for 56 series relays

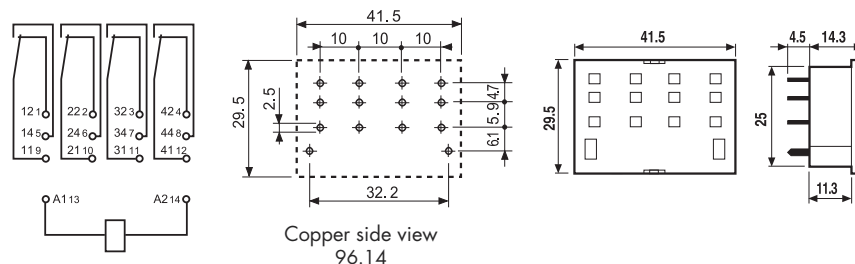
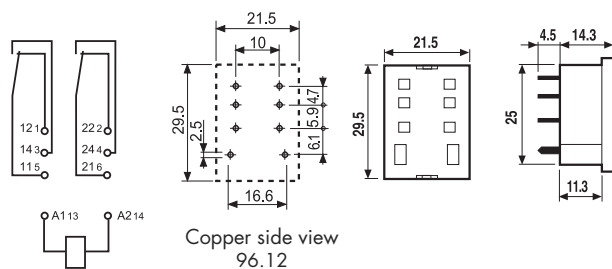


96.12

Approvals
(according to type):



PCB socket	96.12 (blue)	96.12.0 (black)	96.14 (blue)	96.14.0 (black)
For relay type	56.32		56.34	
Accessories				
Metal retaining clip (supplied with socket - packaging code SMA)				094.51
Technical data				
Rated values	15 A - 250 V			
Dielectric strength	2 kV AC			
Protection category	IP 20			
Ambient temperature	°C -40...+70			



Packaging code

How to code and identify retaining clip and packaging options for sockets.

Example:



A Standard packaging

SM Metal retaining clip
SP Plastic retaining clip



Without retaining clip

Below is a list of articles with direct links to our shop Electric Automation Network where you can see:

- Quote per purchase volume in real time.
- Online documentation and datasheets of all products.
- Estimated delivery time enquiry in real time.
- Logistics systems for the shipment of materials almost anywhere in the world.
- Purchasing management, order record and tracking of shipments.

To access the product, [click on the green button.](#)

Product	Code	Reference	Product link
Top flange mount adaptor	05625	056.25	Buy on EAN
Rear flange mount adaptor	05626	056.26	Buy on EAN
Top 35 mm rail (EN 50022) adaptor	05627	056.27	Buy on EAN
Top flange mount adaptor for 56.34	05645	056.45	Buy on EAN
Top 35 mm rail (EN 50022) adaptor for 56.34	05647	056.47	Buy on EAN
Power relay	563280060000	56.32.8.006.0000	Buy on EAN
Plug-in; AgNi; 2CO 12A; lockable test button+flag indicator	563280060040	56.32.8.006.0040	Buy on EAN
Plug-in; AgNi; 2NO 12A; AC only	563280060300	56.32.8.006.0300	Buy on EAN
Power relay	563280120000	56.32.8.012.0000	Buy on EAN
LED (56.3x coil voltages up to 240V AC only)	563280120030	56.32.8.012.0030	Buy on EAN
Plug-in; AgNi; 2CO 12A; lockable test button+flag indicator	563280120040	56.32.8.012.0040	Buy on EAN
Plug-in; AgNi; 2CO 12A; lockable test button+flag indicator	563280120040PAS	56.32.8.012.0040PAS	Buy on EAN
Lockable test button + LED coil voltages up to 240V AC only	563280120050	56.32.8.012.0050	Buy on EAN
Lockable test button+flag indicator +LED coil voltages up to 240V AC only	563280120054	56.32.8.012.0054	Buy on EAN
Plug-in; AgNi; 2NO 12A; AC only	563280120300	56.32.8.012.0300	Buy on EAN

AgCdO contacts	563280122000	56.32.8.012.2000	Buy on EAN
AgCdO contacts	563280122040	56.32.8.012.2040	Buy on EAN
Power relay	563280240000	56.32.8.024.0000	Buy on EAN
LED (56.3x coil voltages up to 240V AC only)	563280240030	56.32.8.024.0030	Buy on EAN
Plug-in; AgNi; 2CO 12A; lockable test button+flag indicator	563280240040	56.32.8.024.0040	Buy on EAN
Plug-in; AgNi; 2CO 12A; lockable test button+flag indicator	563280240040PAS	56.32.8.024.0040PAS	Buy on EAN
Lockable test button + LED coil voltages up to 240V AC only	563280240050	56.32.8.024.0050	Buy on EAN
Lockable test button+flag indicator +LED coil voltages up to 240V AC only	563280240054	56.32.8.024.0054	Buy on EAN
Lockable test button+flag indicator +LED coil voltages up to 240V AC only	563280240054PAS	56.32.8.024.0054PAS	Buy on EAN
Plug-in; AgNi; 2NO 12A; AC only	563280240300	56.32.8.024.0300	Buy on EAN
Plug-in; AgNi; 2NO 12A; AC only	563280240300PAS	56.32.8.024.0300PAS	Buy on EAN
AgCdO contacts	563280242000	56.32.8.024.2000	Buy on EAN
AgCdO contacts	563280242040	56.32.8.024.2040	Buy on EAN
AgSnO2 contacts	563280244040	56.32.8.024.4040	Buy on EAN
Power relay	563280480000	56.32.8.048.0000	Buy on EAN
Plug-in; AgNi; 2CO 12A; lockable test button+flag indicator	563280480040	56.32.8.048.0040	Buy on EAN
Lockable test button + LED coil voltages up to 240V AC only	563280480050	56.32.8.048.0050	Buy on EAN
Lockable test button+flag indicator +LED coil voltages up to 240V AC only	563280480054	56.32.8.048.0054	Buy on EAN
Plug-in; AgNi; 2NO 12A; AC only	563280480300	56.32.8.048.0300	Buy on EAN
AgCdO contacts	563280482000	56.32.8.048.2000	Buy on EAN
Power relay	563280600000	56.32.8.060.0000	Buy on EAN
Plug-in; AgNi; 2NO 12A; AC only	563280600300	56.32.8.060.0300	Buy on EAN
Power relay	563281100000	56.32.8.110.0000	Buy on EAN

LED (56.3x coil voltages up to 240V AC only)	563281100030	56.32.8.110.0030	Buy on EAN
Plug-in; AgNi; 2CO 12A; lockable test button+flag indicator	563281100040	56.32.8.110.0040	Buy on EAN
Plug-in; AgNi; 2CO 12A; lockable test button+flag indicator	563281100040PAS	56.32.8.110.0040PAS	Buy on EAN
Lockable test button + LED coil voltages up to 240V AC only	563281100050	56.32.8.110.0050	Buy on EAN
Lockable test button+flag indicator +LED coil voltages up to 240V AC only	563281100054	56.32.8.110.0054	Buy on EAN
Plug-in; AgNi; 2NO 12A; AC only	563281100300	56.32.8.110.0300	Buy on EAN
AgCdO contacts	563281102000	56.32.8.110.2000	Buy on EAN
AgCdO contacts	563281102040	56.32.8.110.2040	Buy on EAN
AgCdO contacts	563281102050	56.32.8.110.2050	Buy on EAN
AgCdO contacts	563281102054	56.32.8.110.2054	Buy on EAN
AgSnO2 contacts	563281104040	56.32.8.110.4040	Buy on EAN
Power relay	563281150000	56.32.8.115.0000	Buy on EAN
Plug-in; AgNi; 2CO 12A; lockable test button+flag indicator	563281150040	56.32.8.115.0040	Buy on EAN
Power relay	563281200000	56.32.8.120.0000	Buy on EAN
LED (56.3x coil voltages up to 240V AC only)	563281200030	56.32.8.120.0030	Buy on EAN
Plug-in; AgNi; 2CO 12A; lockable test button+flag indicator	563281200040	56.32.8.120.0040	Buy on EAN
Plug-in; AgNi; 2CO 12A; lockable test button+flag indicator	563281200040PAS	56.32.8.120.0040PAS	Buy on EAN
Lockable test button + LED coil voltages up to 240V AC only	563281200050	56.32.8.120.0050	Buy on EAN
Lockable test button+flag indicator +LED coil voltages up to 240V AC only	563281200054	56.32.8.120.0054	Buy on EAN
AgCdO contacts	563281202000	56.32.8.120.2000	Buy on EAN
Power relay	563281250000	56.32.8.125.0000	Buy on EAN
Plug-in; AgNi; 2CO 12A; lockable test button+flag indicator	563281250040	56.32.8.125.0040	Buy on EAN
Lockable test button+flag indicator +LED coil voltages up to 240V AC only	563281250054	56.32.8.125.0054	Buy on EAN

Plug-in; AgNi; 2NO 12A; AC only	563281250300	56.32.8.125.0300	Buy on EAN
Power relay	563282300000	56.32.8.230.0000	Buy on EAN
Power relay	563282300000PAS	56.32.8.230.0000PAS	Buy on EAN
LED (56.3x coil voltages up to 240V AC only)	563282300030	56.32.8.230.0030	Buy on EAN
Plug-in; AgNi; 2CO 12A; lockable test button+flag indicator	563282300040	56.32.8.230.0040	Buy on EAN
Plug-in; AgNi; 2CO 12A; lockable test button+flag indicator	563282300040PAS	56.32.8.230.0040PAS	Buy on EAN
Lockable test button + LED coil voltages up to 240V AC only	563282300050	56.32.8.230.0050	Buy on EAN
Lockable test button+flag indicator +LED coil voltages up to 240V AC only	563282300054	56.32.8.230.0054	Buy on EAN
Plug-in; AgNi; 2NO 12A; AC only	563282300300	56.32.8.230.0300	Buy on EAN
Plug-in; AgNi; 2NO 12A; AC only	563282300300PAS	56.32.8.230.0300PAS	Buy on EAN
AgCdO contacts	563282302000	56.32.8.230.2000	Buy on EAN
AgCdO contacts	563282302040	56.32.8.230.2040	Buy on EAN
AgCdO contacts	563282302300	56.32.8.230.2300	Buy on EAN
AgSnO2 contacts	563282304000	56.32.8.230.4000	Buy on EAN
AgSnO2 contacts	563282304040	56.32.8.230.4040	Buy on EAN
AgSnO2 contacts	563282304300	56.32.8.230.4300	Buy on EAN
Power relay	563282400000	56.32.8.240.0000	Buy on EAN
LED (56.3x coil voltages up to 240V AC only)	563282400030	56.32.8.240.0030	Buy on EAN
Plug-in; AgNi; 2CO 12A; lockable test button+flag indicator	563282400040	56.32.8.240.0040	Buy on EAN
Plug-in; AgNi; 2CO 12A; lockable test button+flag indicator	563282400040PAS	56.32.8.240.0040PAS	Buy on EAN
Lockable test button + LED coil voltages up to 240V AC only	563282400050	56.32.8.240.0050	Buy on EAN
Lockable test button+flag indicator +LED coil voltages up to 240V AC only	563282400054	56.32.8.240.0054	Buy on EAN
Lockable test button+flag indicator +LED coil voltages up to 240V AC only	563282400054PAS	56.32.8.240.0054PAS	Buy on EAN

AgCdO contacts	563282402000	56.32.8.240.2000	Buy on EAN
Power relay	563290060000	56.32.9.006.0000	Buy on EAN
Plug-in; AgNi; 2CO 12A; lockable test button+flag indicator	563290060040	56.32.9.006.0040	Buy on EAN
AgSnO2 contacts	563290064000	56.32.9.006.4000	Buy on EAN
Power relay	563290120000	56.32.9.012.0000	Buy on EAN
Plug-in; AgNi; 2CO 12A; lockable test button+flag indicator	563290120040	56.32.9.012.0040	Buy on EAN
Plug-in; AgNi; 2CO 12A; lockable test button+flag indicator	563290120040PAS	56.32.9.012.0040PAS	Buy on EAN
LED + diode; positive to pin A2/8 coil voltages up to 125V DC only	563290120060	56.32.9.012.0060	Buy on EAN
Lockable test button + LED + diode; positive to pin A2/8 coil voltages up to 125V DC only	563290120070	56.32.9.012.0070	Buy on EAN
Lockable test button + flag indicator + LED + diode; positive to pin A2/8 coil voltages up to 125V DC only	563290120074	56.32.9.012.0074	Buy on EAN
Lockable test button + flag indicator + LED + diode; positive to pin A2/8 coil voltages up to 125V DC only	563290120074PAS	56.32.9.012.0074PAS	Buy on EAN
LED + diode; positive to pin A2/ 14 coil voltages up to 125V DC only	563290120080	56.32.9.012.0080	Buy on EAN
Lockable test button + LED + diode; positive to pin A1/7 coil voltages up to 125V DC only	563290120090	56.32.9.012.0090	Buy on EAN
Lockable test button + flag indicator + LED + diode; positive to pin A1/7 coil voltages up to 125V DC only	563290120094	56.32.9.012.0094	Buy on EAN
AgCdO contacts	563290122000	56.32.9.012.2000	Buy on EAN
AgCdO contacts	563290122040	56.32.9.012.2040	Buy on EAN
AgSnO2 contacts	563290124040	56.32.9.012.4040	Buy on EAN
Power relay	563290240000	56.32.9.024.0000	Buy on EAN
Power relay	563290240000PAS	56.32.9.024.0000PAS	Buy on EAN
special version for railway applications	563290240000T	56.32.9.024.0000T	Buy on EAN
Flag indicator	563290240020	56.32.9.024.0020	Buy on EAN
Plug-in; AgNi; 2CO 12A; lockable test button+flag indicator	563290240040	56.32.9.024.0040	Buy on EAN

Plug-in; AgNi; 2CO 12A; lockable test button+flag indicator	563290240040PAS	56.32.9.024.0040PAS	Buy on EAN
LED + diode; positive to pin A2/8 coil voltages up to 125V DC only	563290240060	56.32.9.024.0060	Buy on EAN
Lockable test button + LED + diode; positive to pin A2/8 coil voltages up to 125V DC only	563290240070	56.32.9.024.0070	Buy on EAN
Lockable test button + flag indicator + LED + diode; positive to pin A2/8 coil voltages up to 125V DC only	563290240074	56.32.9.024.0074	Buy on EAN
Lockable test button + flag indicator + LED + diode; positive to pin A2/8 coil voltages up to 125V DC only	563290240074PAS	56.32.9.024.0074PAS	Buy on EAN
LED + diode; positive to pin A2/ 14 coil voltages up to 125V DC only	563290240080	56.32.9.024.0080	Buy on EAN
Lockable test button + LED + diode; positive to pin A1/7 coil voltages up to 125V DC only	563290240090	56.32.9.024.0090	Buy on EAN
Lockable test button + flag indicator + LED + diode; positive to pin A1/7 coil voltages up to 125V DC only	563290240094	56.32.9.024.0094	Buy on EAN
AgCdO contacts	563290242000	56.32.9.024.2000	Buy on EAN
AgCdO contacts	563290242000T	56.32.9.024.2000T	Buy on EAN
AgCdO contacts	563290242020	56.32.9.024.2020	Buy on EAN
AgCdO contacts	563290242040	56.32.9.024.2040	Buy on EAN
AgCdO contacts	563290242070	56.32.9.024.2070	Buy on EAN
AgCdO contacts	563290242080	56.32.9.024.2080	Buy on EAN
AgCdO contacts	563290242090	56.32.9.024.2090	Buy on EAN
AgCdO contacts	563290242094	56.32.9.024.2094	Buy on EAN
AgSnO2 contacts	563290244000	56.32.9.024.4000	Buy on EAN
AgSnO2 contacts	563290244040	56.32.9.024.4040	Buy on EAN
Power relay	563290480000	56.32.9.048.0000	Buy on EAN
Plug-in; AgNi; 2CO 12A; lockable test button+flag indicator	563290480040	56.32.9.048.0040	Buy on EAN
Plug-in; AgNi; 2CO 12A; lockable test button+flag indicator	563290480040PAS	56.32.9.048.0040PAS	Buy on EAN
Lockable test button + LED + diode; positive to pin A2/8 coil voltages up to 125V DC only	563290480070	56.32.9.048.0070	Buy on EAN

Lockable test button + flag indicator + LED + diode; positive to pin A2/8 coil voltages up to 125V DC only	563290480074	56.32.9.048.0074	Buy on EAN
LED + diode; positive to pin A2/ 14 coil voltages up to 125V DC only	563290480080	56.32.9.048.0080	Buy on EAN
Lockable test button + flag indicator + LED + diode; positive to pin A1/7 coil voltages up to 125V DC only	563290480094	56.32.9.048.0094	Buy on EAN
Power relay	563290600000	56.32.9.060.0000	Buy on EAN
Plug-in; AgNi; 2CO 12A; lockable test button+flag indicator	563290600040	56.32.9.060.0040	Buy on EAN
Plug-in; AgNi; 2CO 12A; lockable test button+flag indicator	563290600040PAS	56.32.9.060.0040PAS	Buy on EAN
Lockable test button + LED + diode; positive to pin A1/7 coil voltages up to 125V DC only	563290600090	56.32.9.060.0090	Buy on EAN
Power relay	563290800000	56.32.9.080.0000	Buy on EAN
Plug-in; AgNi; 2CO 12A; lockable test button+flag indicator	563290800040	56.32.9.080.0040	Buy on EAN
Power relay	563291100000	56.32.9.110.0000	Buy on EAN
special version for railway applications	563291100000T	56.32.9.110.0000T	Buy on EAN
Flag indicator	563291100020	56.32.9.110.0020	Buy on EAN
Plug-in; AgNi; 2CO 12A; lockable test button+flag indicator	563291100040	56.32.9.110.0040	Buy on EAN
Plug-in; AgNi; 2CO 12A; lockable test button+flag indicator	563291100040PAS	56.32.9.110.0040PAS	Buy on EAN
Lockable test button + LED + diode; positive to pin A2/8 coil voltages up to 125V DC only	563291100070	56.32.9.110.0070	Buy on EAN
Lockable test button + flag indicator + LED + diode; positive to pin A2/8 coil voltages up to 125V DC only	563291100074	56.32.9.110.0074	Buy on EAN
LED + diode; positive to pin A2/ 14 coil voltages up to 125V DC only	563291100080	56.32.9.110.0080	Buy on EAN
Lockable test button + LED + diode; positive to pin A1/7 coil voltages up to 125V DC only	563291100090	56.32.9.110.0090	Buy on EAN
Lockable test button + flag indicator + LED + diode; positive to pin A1/7 coil voltages up to 125V DC only	563291100094	56.32.9.110.0094	Buy on EAN
AgCdO contacts	563291102000T	56.32.9.110.2000T	Buy on EAN
AgCdO contacts	563291102040	56.32.9.110.2040	Buy on EAN

AgCdO contacts	563291102080	56.32.9.110.2080	Buy on EAN
125VDC coil (add to 1st column price)	563291250000	56.32.9.125.0000	Buy on EAN
125VDC coil (add to 1st column price)	563291250040	56.32.9.125.0040	Buy on EAN
125VDC coil (add to 1st column price)	563291250040PAS	56.32.9.125.0040PAS	Buy on EAN
125VDC coil (add to 1st column price)	563291250060	56.32.9.125.0060	Buy on EAN
125VDC coil (add to 1st column price)	563291250090	56.32.9.125.0090	Buy on EAN
125VDC coil (add to 1st column price)	563291250094	56.32.9.125.0094	Buy on EAN
125VDC coil (add to 1st column price)	563291252000	56.32.9.125.2000	Buy on EAN
125VDC coil (add to 1st column price)	563291252040	56.32.9.125.2040	Buy on EAN
145VDC coil (add to 1st column price)	563291452040	56.32.9.145.2040	Buy on EAN
220VDC coil (add to 1st column price)	563292200000	56.32.9.220.0000	Buy on EAN
220VDC coil (add to 1st column price)	563292200040	56.32.9.220.0040	Buy on EAN
220VDC coil (add to 1st column price)	563292200040PAS	56.32.9.220.0040PAS	Buy on EAN
Test button	563480060010	56.34.8.006.0010	Buy on EAN
Plug-in; AgNi; 4CO 12A	563480060040	56.34.8.006.0040	Buy on EAN
Plug-in; AgNi; 4CO 12A	563480060040PAS	56.34.8.006.0040PAS	Buy on EAN
Test button	563480120010	56.34.8.012.0010	Buy on EAN
Test button	563480120010PAS	56.34.8.012.0010PAS	Buy on EAN
Plug-in; AgNi; 4CO 12A	563480120040	56.34.8.012.0040	Buy on EAN
Plug-in; AgNi; 4CO 12A	563480120040PAS	56.34.8.012.0040PAS	Buy on EAN
Test button	563480240010	56.34.8.024.0010	Buy on EAN
Test button	563480240010PAS	56.34.8.024.0010PAS	Buy on EAN
Plug-in; AgNi; 4CO 12A	563480240040	56.34.8.024.0040	Buy on EAN
Plug-in; AgNi; 4CO 12A	563480240040PAS	56.34.8.024.0040PAS	Buy on EAN

AgCdO contacts	563480242000	56.34.8.024.2000	Buy on EAN
AgCdO contacts	563480242010	56.34.8.024.2010	Buy on EAN
AgSnO2 contacts	563480244000	56.34.8.024.4000	Buy on EAN
AgSnO2 contacts	563480244010	56.34.8.024.4010	Buy on EAN
Test button	563480480010	56.34.8.048.0010	Buy on EAN
Test button	563480480010PAS	56.34.8.048.0010PAS	Buy on EAN
Plug-in; AgNi; 4CO 12A	563480480040	56.34.8.048.0040	Buy on EAN
Plug-in; AgNi; 4CO 12A	563480480040PAS	56.34.8.048.0040PAS	Buy on EAN
AgCdO contacts	563480482000	56.34.8.048.2000	Buy on EAN
Test button	563480600010	56.34.8.060.0010	Buy on EAN
Plug-in; AgNi; 4CO 12A	563480600040	56.34.8.060.0040	Buy on EAN
Test button	563481100010	56.34.8.110.0010	Buy on EAN
Test button	563481100010PAS	56.34.8.110.0010PAS	Buy on EAN
Plug-in; AgNi; 4CO 12A	563481100040	56.34.8.110.0040	Buy on EAN
Plug-in; AgNi; 4CO 12A	563481100040PAS	56.34.8.110.0040PAS	Buy on EAN
AgCdO contacts	563481102000	56.34.8.110.2000	Buy on EAN
AgCdO contacts	563481102010	56.34.8.110.2010	Buy on EAN
AgSnO2 contacts	563481104000	56.34.8.110.4000	Buy on EAN
AgSnO2 contacts	563481104010	56.34.8.110.4010	Buy on EAN
Test button	563481200010	56.34.8.120.0010	Buy on EAN
Test button	563481200010PAS	56.34.8.120.0010PAS	Buy on EAN
LED (56.3x coil voltages up to 240V AC only)	563481200030	56.34.8.120.0030	Buy on EAN
Plug-in; AgNi; 4CO 12A	563481200040	56.34.8.120.0040	Buy on EAN
Plug-in; AgNi; 4CO 12A	563481200040PAS	56.34.8.120.0040PAS	Buy on EAN
Lockable test button + LED coil voltages up to 240V AC only	563481200050	56.34.8.120.0050	Buy on EAN

Lockable test button+flag indicator +LED coil voltages up to 240V AC only	563481200054	56.34.8.120.0054	Buy on EAN
AgSnO2 contacts	563481204000	56.34.8.120.4000	Buy on EAN
Test button	563481250010	56.34.8.125.0010	Buy on EAN
Test button	563482300010	56.34.8.230.0010	Buy on EAN
Test button	563482300010PAS	56.34.8.230.0010PAS	Buy on EAN
Plug-in; AgNi; 4CO 12A	563482300040	56.34.8.230.0040	Buy on EAN
Plug-in; AgNi; 4CO 12A	563482300040PAS	56.34.8.230.0040PAS	Buy on EAN
AgCdO contacts	563482302000	56.34.8.230.2000	Buy on EAN
AgCdO contacts	563482302010	56.34.8.230.2010	Buy on EAN
AgSnO2 contacts	563482304000	56.34.8.230.4000	Buy on EAN
AgSnO2 contacts	563482304010	56.34.8.230.4010	Buy on EAN
AgSnO2 contacts	563482304040	56.34.8.230.4040	Buy on EAN
Test button	563482400010	56.34.8.240.0010	Buy on EAN
Plug-in; AgNi; 4CO 12A	563482400040	56.34.8.240.0040	Buy on EAN
AgCdO contacts	563482402000	56.34.8.240.2000	Buy on EAN
400VAC coil; (4CO only); (add to 1st column price)	563484000010	56.34.8.400.0010	Buy on EAN
Test button	563490060010	56.34.9.006.0010	Buy on EAN
Plug-in; AgNi; 4CO 12A	563490060040	56.34.9.006.0040	Buy on EAN
Test button	563490120010	56.34.9.012.0010	Buy on EAN
Test button	563490120010PAS	56.34.9.012.0010PAS	Buy on EAN
Plug-in; AgNi; 4CO 12A	563490120040	56.34.9.012.0040	Buy on EAN
Plug-in; AgNi; 4CO 12A	563490120040PAS	56.34.9.012.0040PAS	Buy on EAN
AgCdO contacts	563490122000	56.34.9.012.2000	Buy on EAN
AgCdO contacts	563490122010	56.34.9.012.2010	Buy on EAN
special version for railway applications	563490240000T	56.34.9.024.0000T	Buy on EAN

Test button	563490240010	56.34.9.024.0010	Buy on EAN
Plug-in; AgNi; 4CO 12A	563490240040	56.34.9.024.0040	Buy on EAN
Plug-in; AgNi; 4CO 12A	563490240040PAS	56.34.9.024.0040PAS	Buy on EAN
LED + diode; positive to pin A2/8 coil voltages up to 125V DC only	563490240060	56.34.9.024.0060	Buy on EAN
Lockable test button + LED + diode; positive to pin A2/8 coil voltages up to 125V DC only	563490240070	56.34.9.024.0070	Buy on EAN
Lockable test button + flag indicator + LED + diode; positive to pin A2/8 coil voltages up to 125V DC only	563490240074	56.34.9.024.0074	Buy on EAN
AgCdO contacts	563490242000	56.34.9.024.2000	Buy on EAN
AgCdO contacts	563490242000T	56.34.9.024.2000T	Buy on EAN
AgCdO contacts	563490242010	56.34.9.024.2010	Buy on EAN
AgCdO contacts	563490242010PAS	56.34.9.024.2010PAS	Buy on EAN
AgCdO contacts	563490242040	56.34.9.024.2040	Buy on EAN
AgSnO2 contacts	563490244000	56.34.9.024.4000	Buy on EAN
AgSnO2 contacts	563490244010	56.34.9.024.4010	Buy on EAN
Test button	563490360010	56.34.9.036.0010	Buy on EAN
Test button	563490480010	56.34.9.048.0010	Buy on EAN
Test button	563490480010PAS	56.34.9.048.0010PAS	Buy on EAN
Plug-in; AgNi; 4CO 12A	563490480040	56.34.9.048.0040	Buy on EAN
Plug-in; AgNi; 4CO 12A	563490480040PAS	56.34.9.048.0040PAS	Buy on EAN
AgCdO contacts	563490482000	56.34.9.048.2000	Buy on EAN
AgCdO contacts	563490482010	56.34.9.048.2010	Buy on EAN
Test button	563490600010	56.34.9.060.0010	Buy on EAN
Test button	563490600010PAS	56.34.9.060.0010PAS	Buy on EAN
Plug-in; AgNi; 4CO 12A	563490600040	56.34.9.060.0040	Buy on EAN
AgSnO2 contacts	563490604000	56.34.9.060.4000	Buy on EAN
Test button	563490800010	56.34.9.080.0010	Buy on EAN

special version for railway applications	563491100000T	56.34.9.110.0000T	Buy on EAN
Test button	563491100010	56.34.9.110.0010	Buy on EAN
Test button	563491100010PAS	56.34.9.110.0010PAS	Buy on EAN
Plug-in; AgNi; 4CO 12A	563491100040	56.34.9.110.0040	Buy on EAN
Plug-in; AgNi; 4CO 12A	563491100040PAS	56.34.9.110.0040PAS	Buy on EAN
AgCdO contacts	563491102000	56.34.9.110.2000	Buy on EAN
AgCdO contacts	563491102000T	56.34.9.110.2000T	Buy on EAN
AgCdO contacts	563491102010	56.34.9.110.2010	Buy on EAN
125VDC coil (add to 1st column price)	563491250010	56.34.9.125.0010	Buy on EAN
125VDC coil (add to 1st column price)	563491250010PAS	56.34.9.125.0010PAS	Buy on EAN
125VDC coil (add to 1st column price)	563491252000	56.34.9.125.2000	Buy on EAN
125VDC coil (add to 1st column price)	563491252010	56.34.9.125.2010	Buy on EAN
125VDC coil (add to 1st column price)	563491254010	56.34.9.125.4010	Buy on EAN
145VDC coil (add to 1st column price)	563491452000	56.34.9.145.2000	Buy on EAN
220VDC coil (add to 1st column price)	563492200010	56.34.9.220.0010	Buy on EAN
220VDC coil (add to 1st column price)	563492200010PAS	56.34.9.220.0010PAS	Buy on EAN
220VDC coil (add to 1st column price)	563492200040	56.34.9.220.0040	Buy on EAN
PCB mount; AgNi; 2CO 12A	564280060000	56.42.8.006.0000	Buy on EAN
PCB mount; AgNi; 2NO 12A; AC only	564280060300	56.42.8.006.0300	Buy on EAN
PCB mount; AgNi; 2CO 12A	564280120000	56.42.8.012.0000	Buy on EAN
PCB mount; AgNi; 2NO 12A; AC only	564280120300	56.42.8.012.0300	Buy on EAN
PCB mount; AgNi; 2CO 12A	564280240000	56.42.8.024.0000	Buy on EAN
PCB mount; AgNi; 2CO 12A	564280240000PAS	56.42.8.024.0000PAS	Buy on EAN
PCB mount; AgNi; 2NO 12A; AC only	564280240300	56.42.8.024.0300	Buy on EAN
AgCdO contacts	564280242000	56.42.8.024.2000	Buy on EAN

PCB mount; AgNi; 2CO 12A	564280480000	56.42.8.048.0000	Buy on EAN
PCB mount; AgNi; 2NO 12A; AC only	564280480300	56.42.8.048.0300	Buy on EAN
PCB mount; AgNi; 2CO 12A	564280600000	56.42.8.060.0000	Buy on EAN
PCB mount; AgNi; 2NO 12A; AC only	564280600300	56.42.8.060.0300	Buy on EAN
PCB mount; AgNi; 2CO 12A	564281100000	56.42.8.110.0000	Buy on EAN
PCB mount; AgNi; 2NO 12A; AC only	564281100300	56.42.8.110.0300	Buy on EAN
AgCdO contacts	564281102000	56.42.8.110.2000	Buy on EAN
PCB mount; AgNi; 2CO 12A	564281200000	56.42.8.120.0000	Buy on EAN
AgCdO contacts	564281202000	56.42.8.120.2000	Buy on EAN
PCB mount; AgNi; 2CO 12A	564281250000	56.42.8.125.0000	Buy on EAN
PCB mount; AgNi; 2CO 12A	564282300000	56.42.8.230.0000	Buy on EAN
PCB mount; AgNi; 2CO 12A	564282300000PAS	56.42.8.230.0000PAS	Buy on EAN
PCB mount; AgNi; 2NO 12A; AC only	564282300300	56.42.8.230.0300	Buy on EAN
AgCdO contacts	564282302000	56.42.8.230.2000	Buy on EAN
AgSnO2 contacts	564282304000	56.42.8.230.4000	Buy on EAN
PCB mount; AgNi; 2CO 12A	564282400000	56.42.8.240.0000	Buy on EAN
AgCdO contacts	564282402300	56.42.8.240.2300	Buy on EAN
AgSnO2 contacts	564282404300	56.42.8.240.4300	Buy on EAN
PCB mount; AgNi; 2CO 12A	564290060000	56.42.9.006.0000	Buy on EAN
PCB mount; AgNi; 2CO 12A	564290120000	56.42.9.012.0000	Buy on EAN
PCB mount; AgNi; 2CO 12A	564290120000PAS	56.42.9.012.0000PAS	Buy on EAN
AgCdO contacts	564290122000	56.42.9.012.2000	Buy on EAN
AgSnO2 contacts	564290124000	56.42.9.012.4000	Buy on EAN
PCB mount; AgNi; 2CO 12A	564290240000	56.42.9.024.0000	Buy on EAN
PCB mount; AgNi; 2CO 12A	564290240000PAS	56.42.9.024.0000PAS	Buy on EAN
AgCdO contacts	564290242000	56.42.9.024.2000	Buy on EAN

AgSnO2 contacts	564290244000	56.42.9.024.4000	Buy on EAN
PCB mount; AgNi; 2CO 12A	564290480000	56.42.9.048.0000	Buy on EAN
PCB mount; AgNi; 2CO 12A	564290600000	56.42.9.060.0000	Buy on EAN
PCB mount; AgNi; 2CO 12A	564291100000	56.42.9.110.0000	Buy on EAN
AgCdO contacts	564291102000	56.42.9.110.2000	Buy on EAN
125VDC coil (add to 1st column price)	564291250000	56.42.9.125.0000	Buy on EAN
PCB mount; AgNi; 4CO 12A	564480060000	56.44.8.006.0000	Buy on EAN
PCB mount; AgNi; 4CO 12A	564480120000	56.44.8.012.0000	Buy on EAN
PCB mount; AgNi; 4CO 12A	564480240000	56.44.8.024.0000	Buy on EAN
PCB mount; AgNi; 4CO 12A	564480240000PAS	56.44.8.024.0000PAS	Buy on EAN
AgCdO contacts	564480242000	56.44.8.024.2000	Buy on EAN
AgSnO2 contacts	564480244000	56.44.8.024.4000	Buy on EAN
PCB mount; AgNi; 4CO 12A	564480480000	56.44.8.048.0000	Buy on EAN
PCB mount; AgNi; 4CO 12A	564480600000	56.44.8.060.0000	Buy on EAN
PCB mount; AgNi; 4CO 12A	564481100000	56.44.8.110.0000	Buy on EAN
AgCdO contacts	564481102000	56.44.8.110.2000	Buy on EAN
PCB mount; AgNi; 4CO 12A	564481200000	56.44.8.120.0000	Buy on EAN
AgCdO contacts	564481202000	56.44.8.120.2000	Buy on EAN
PCB mount; AgNi; 4CO 12A	564481250000	56.44.8.125.0000	Buy on EAN
PCB mount; AgNi; 4CO 12A	564482300000	56.44.8.230.0000	Buy on EAN
PCB mount; AgNi; 4CO 12A	564482300000PAS	56.44.8.230.0000PAS	Buy on EAN
AgCdO contacts	564482302000	56.44.8.230.2000	Buy on EAN
AgSnO2 contacts	564482304000	56.44.8.230.4000	Buy on EAN
PCB mount; AgNi; 4CO 12A	564482400000	56.44.8.240.0000	Buy on EAN
400VAC coil; (4CO only); (add to 1st column price)	564484000000	56.44.8.400.0000	Buy on EAN

PCB mount; AgNi; 4CO 12A	564490060000	56.44.9.006.0000	Buy on EAN
PCB mount; AgNi; 4CO 12A	564490120000	56.44.9.012.0000	Buy on EAN
PCB mount; AgNi; 4CO 12A	564490120000PAS	56.44.9.012.0000PAS	Buy on EAN
AgCdO contacts	564490122000	56.44.9.012.2000	Buy on EAN
AgSnO2 contacts	564490124000	56.44.9.012.4000	Buy on EAN
PCB mount; AgNi; 4CO 12A	564490240000	56.44.9.024.0000	Buy on EAN
PCB mount; AgNi; 4CO 12A	564490240000PAS	56.44.9.024.0000PAS	Buy on EAN
AgCdO contacts	564490242000	56.44.9.024.2000	Buy on EAN
AgSnO2 contacts	564490244000	56.44.9.024.4000	Buy on EAN
PCB mount; AgNi; 4CO 12A	564490480000	56.44.9.048.0000	Buy on EAN
AgCdO contacts	564490482000	56.44.9.048.2000	Buy on EAN
PCB mount; AgNi; 4CO 12A	564490600000	56.44.9.060.0000	Buy on EAN
PCB mount; AgNi; 4CO 12A	564490800000	56.44.9.080.0000	Buy on EAN
PCB mount; AgNi; 4CO 12A	564491100000	56.44.9.110.0000	Buy on EAN
AgCdO contacts	564491102000	56.44.9.110.2000	Buy on EAN
125VDC coil (add to 1st column price)	564491250000	56.44.9.125.0000	Buy on EAN
220VDC coil (add to 1st column price)	564492200000	56.44.9.220.0000	Buy on EAN