

Ensure Fail-Safe Conditions with Fisher™ 67C/67D Series Airsets with Smart Bleed™ Technology



FISHER™ 67C/67D Series Smart Bleed Airset

Ensure actuator failure mode

Any airset piped directly to an actuator or to devices that consume air intermittently can lead to a problem of trapping pressure in the actuator if a fixed bleed is not installed. The trapped pressure can problematically keep an actuator into its last position. Since regulators do not respond to changes in inlet pressure, the regulator will remain locked-up when supply pressure is lost, preventing the actuator from failing in the desired position. A means to exhaust the trapped pressure is required.

Optimizing Performance

The Fisher Smart Bleed option on 67C/67D Series includes an **integrated soft seat check valve** allowing trapped pressure in an actuator or other instrument to exhaust if supply pressure is lost. In turn, **actuators are able to fail in the desired open or closed position**. Using the **Smart Bleed option eliminates the need for a fixed-bleed**, and is recommended when supplying air to a dead-end system. In addition, the soft seat feature of the check valve **eliminates leakage** while the airset is in the lock-up position **preventing pressure build-up** that could trip safety loop functions on valves.

Lower operating costs

Minimizing leakage is increasingly important as the cost to power pneumatic instruments in chemical, hydrocarbon and process industries continues to increase. Intensive laboratory testing shows the Types 67CFR and 67DFR internal relief valve has tight shutoff. Combined with the benefits of the Smart Bleed, **continuous steady state air consumption is eliminated**, plant resources are conserved and **the cost to power pneumatic and digital instruments is reduced**.



Type 67CFR with Smart Bleed Option
Mounted to Type 667 Actuator



Fisher 67D Series



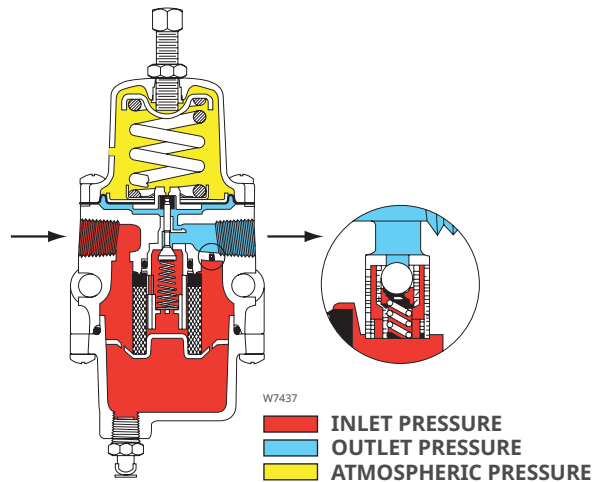
Fisher 67C Series



Fisher™ Airsets - Field-Proven Design

Upgraded Soft Seat
Check Valve with
6x More Flow!

Fisher Types 67CFR/67CFSR with Smart Bleed™ Configuration



Body Size:

1/4 NPT

Outlet Pressure Range:

0 to 150 psig / 0 to 10.3 bar

Maximum Inlet Pressure:

250 psig / 17.2 bar

Material:

Aluminum, Stainless Steel

Smart Bleed Configuration:

Integral Filter, Internal Relief

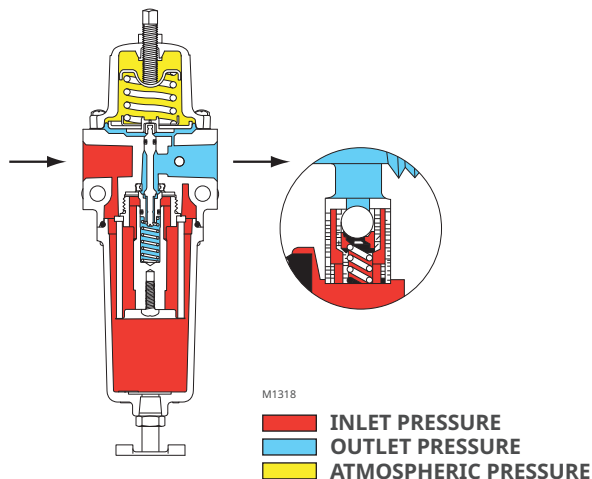
Features:

Bubble Tight Shutoff, No Air Consumption



[Learn More on the 67C Series Product Page](#)

Fisher Types 67DFR/67DFSR with Smart Bleed Configuration



Body Size:

1/2 NPT

Outlet Pressure Range:

0 to 150 psig / 0 to 10.3 bar

Maximum Inlet Pressure:

250 psig / 17.2 bar

Material:

Aluminum, Stainless Steel

Smart Bleed Configuration:

Integral Filter, Internal Relief

Features:

Bubble Tight Shutoff, No Air Consumption




[Learn More on the 67D Series Product Page](#)

Reliable Pressure Control

The Smart Bleed Airset incorporates the use of a differential check valve between the inlet and outlet pressure cavities of the Types 67CFR/67DFR. During normal operation the check valve remains closed.

When inlet pressure is less than outlet pressure, the check valve opens and exhausts the down stream volume. This design provides for consistent and repeatable operation.

 The Smart Bleed is an option that must be selected when ordering.

Emerson Automation Solutions

Americas

T +1 800 558 5853
T +1 972 548 3574

 webadmin.regulators@emerson.com

 Fisher.com

Europe

T +39 051 419 0611

 Facebook.com/EmersonAutomationSolutions

Asia Pacific

T +65 6777 8211

 LinkedIn.com/company/emerson-automation-solutions

Middle East / Africa

T +971 4811 8100

 Twitter.com/emr_automation