



element14

EN - For pricing and availability in your local country please visit one of the below links:

DE - Informationen zu Preisen und Verfügbarkeit in Ihrem Land erhalten Sie über die unten aufgeführten Links:

FR - Pour connaître les tarifs et la disponibilité dans votre pays, cliquez sur l'un des liens suivants:

[14575-477](#)

EN

This Datasheet is presented by
the manufacturer

DE

Dieses Datenblatt wird vom
Hersteller bereitgestellt

FR

Cette fiche technique est
présentée par le fabricant



Schroff

COMPACPRO

Cabinets 1

Wall mounted cases 2

Accessories for cabinets and wall mounted cases . 3

Climate control . 4

Electronics cases 5

Subracks/ 19" chassis 6

Front panels, plug-in units ... 7

Systems 8

Power supply units 9

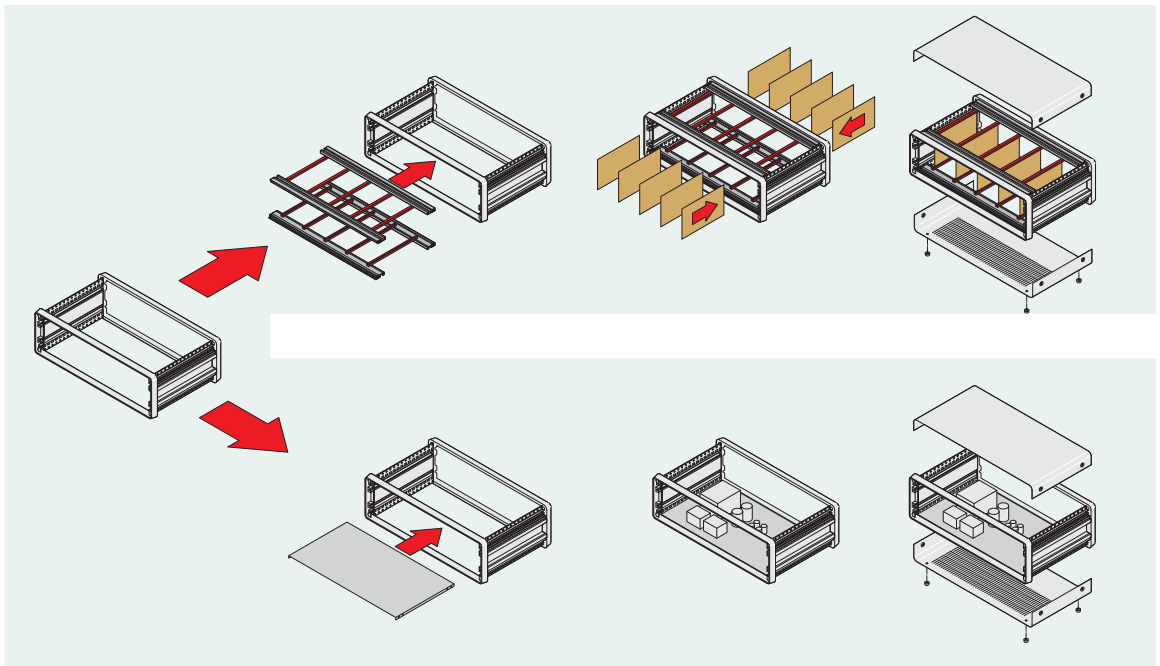
Backplanes ... 10

Connectors, front panel component system 11

Appendix 12



02004009



Flexible expansion options, for 19" components e.g. plug-in unit units, or for individual expansion

02004079

Standards

- Interior dimensions in accordance with: IEC 60297-3-101
- Type of protection IP 20 in accordance with IEC 60529
- GND/earth connections in accordance with:
 - DIN EN 50178 / VDE 0160
 - DIN EN 60950 / VDE 0805
 - DIN EN 61010-1 / VDE 0411 part 1
 - DIN EN 61010-1A2 / VDE 0411 part 1/A12

Desk-top cases - *compacPRO*

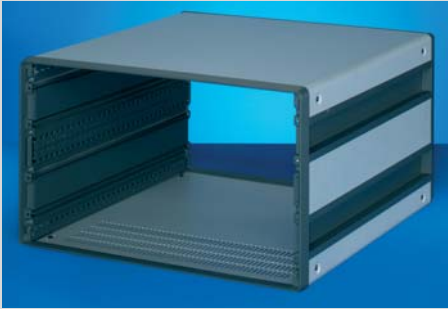
Robust desk-top case for 19" components in accordance with IEC 60297-3-10x or for individual electronics assemblies

- Front and rear identical, depth-symmetrical construction
- Highly robust thanks to die-cast frame (front/rear)
- Side panel with integrated handle function



Desk-top cases

- Complete case
 - Pre-configured case, prepared for 19" components
 - Case height 3 U and 6 U
- Case
 - Case height 2 U, 3 U, 4 U and 6 U



Extensive accessory range



compacPRO

Complete cases

3, 6 U 5.78

Cases 2, 3, 4 U .. 5.79

6 U cases 5.80

Accessories

Filler angle 5.81

Cable holder 5.81

Front panel/rear panel 5.82

Rear feet 5.83

Edge protection. 5.83

Hood 5.84

Front door 5.85

Handle 5.86

GND/earthing ... 5.86

Feet 5.87

Horizontal rail . 5.88

Threaded inserts 5.90

Guide rails and ESD clips 5.92

Mounting plates. 5.94

Combined mounting 5.95

Horizontal board assembly 5.96

Air flow barrier .. 5.97

Dimensions 5.98

ServicePLUS .. 5.4

ServicePLUS from page 5.4

e.g. modifications (special colours, special depths, cut-outs in top cover, base plate or side panels)

e.g. assembly service from 1 piece

www.schroff.biz/ServicePLUS



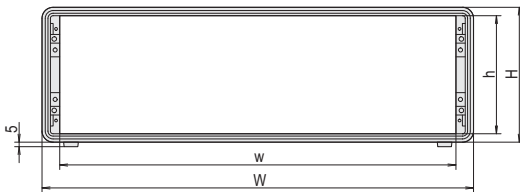
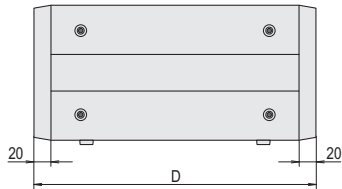
30407004

Desk-top cases - *compacPRO*

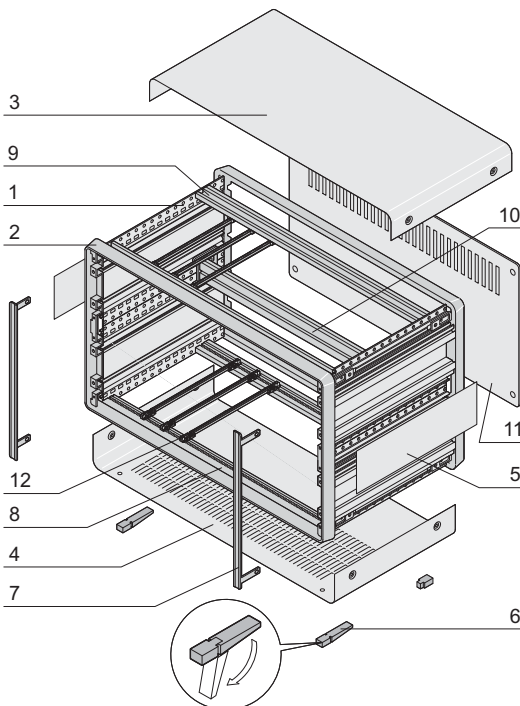
Complete cases 3 and 6 U



02009050



02004054



02008050

- Desk-top case with pre-configured components in accordance with IEC 60297-3-101; prepared for 19" components such as plug-in units and euroboards
- For backplane mounting with insulation strips
- Ventilation slots in base plate
- Ventilation slots in rear panel

Delivery comprises (Kit, items 1, 2, 6, 8 fitted)

Item	Qty		Description
	3 U	6 U	
1	2	4	Side panel, Al extrusion, powder-coated, RAL 7016
2	2	2	Frame, Al die-cast, powder-coated, RAL 7016
3	1	1	Cover plate, Al, 1.5 mm, powder-coated, RAL 9006, with GND/earthing tag
4	1	1	Base plate with 4 rows of ventilation slots, Al, 1.5 mm, powder-coated, RAL 9006, with GND/earthing tag
5	-	2	Side plate powder-coated, RAL 9006, Al, 0.8 mm
6	4	4	Tip-up foot with anti-slip protection, PA, RAL 7016, UL 94 V-0
7	2	2	Cover bracket, Al extrusion, anodised, cut edges plain
8	2	2	Horizontal rail, Al extrusion, with threaded insert, St, M2.5
9	2	2	Rear horizontal rail, Al extrusion, with threaded insert, St, M2.5 and insulation strip, PBT, UL 94 V-0 (for indirect backplane mounting)
10	-	1	Centre horizontal rail, Al extrusion, anodised, conductive surfaces, with two threaded inserts, St, M2.5 and two insulation strips, PBT, UL 94 V-0
11	1	1	Rear panel with 1 row of ventilation slots, Al, anodised, 2 mm for 28, 42 and 63 HP, 2.5 mm for 84 HP
12	10/ 20	10/ 20	Guide rail for 160 mm board length, PBT, UL 94 V-0, 28/42 HP 10 pieces, 63/84 HP 20 pieces
13	1	1	GND/earthing kit
14	1	1	Assembly kit, also allows the fitting of a full-width front panel

Order Information

Height H	Width W	Depth D	Usable width		Part no.
			w HP	w mm	
3	186	271	28	148	14575-114
3	186	331	28	148	14575-115
3	257	271	42	219	14575-134
3	257	331	42	219	14575-135
3	257	391	42	219	14575-136
3	364	271	63	326	14575-154
3	364	331	63	326	14575-155
3	364	391	63	326	14575-156
3	471	271	84	432	14575-174
3	471	331	84	432	14575-175
3	471	391	84	432	14575-176
3	471	511	84	432	14575-178
6	471	391	84	432	14575-476
6	471	451	84	432	14575-477

Maximum mounting depth = D - 21 (open space: front panel - rear panel)

Note

- Dimensions of case, side panel see from page 5.98



ServicePLUS see page 5.4

Desk-top cases - *compacPRO*

Cases 2, 3 and 4 U

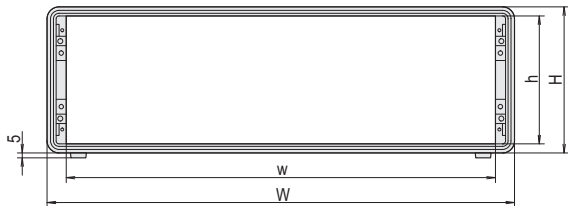
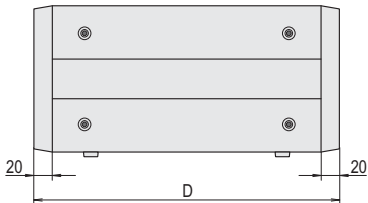


02004005

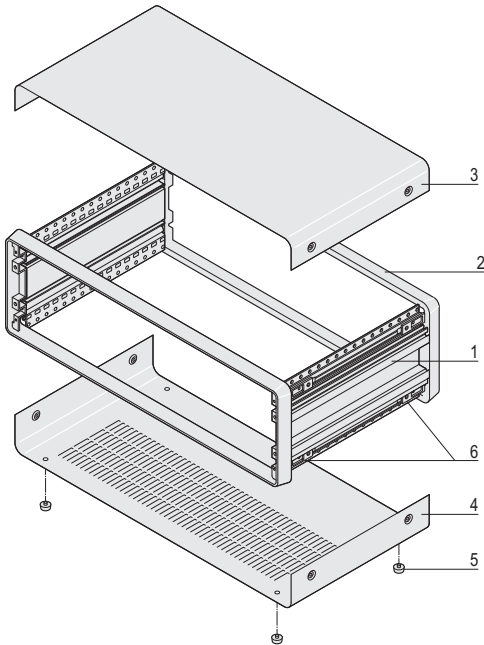
- Desk-top case, pre-configures, for individual assembly
- For backplane mounting with insulation strips
- Ventilation slots in base plate

Delivery comprises (Kit, items 1 and 2 fitted)

Item	Qty	Description
1	2	Side panel, Al extrusion, powder-coated, RAL 7016
2	2	Frame, Al die-cast, powder-coated, RAL 7016
3	1	Cover plate, Al, 1.5 mm, powder-coated, RAL 9006, with GND/earthing connection
4	1	Base plate with 4 rows of ventilation slots, Al, 1.5 mm, powder-coated RAL 9006, with earthing connection
5	4	Case foot with anti-slip protection, PC, black
6	8	Fixing adaptor for cover plate, prefitted
7	1	Assembly kit, also allows the fitting of a full-width front panel, two cover brackets or a rear panel



02004054



02004053

Order Information

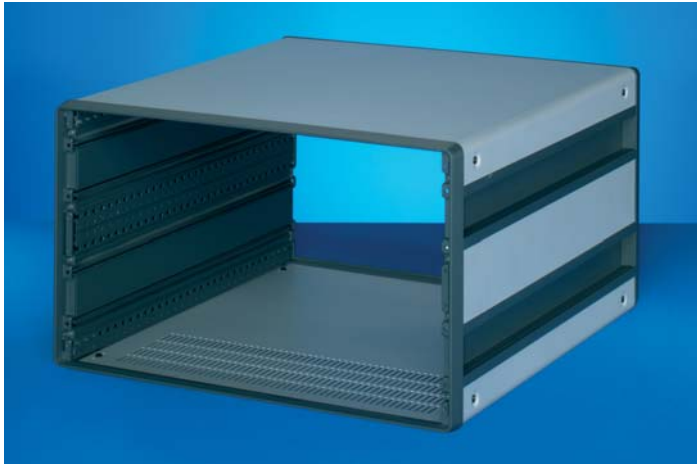
Height U	Usable width HP	Width W mm	Width w mm	Height H mm	Height h mm	Depth D mm	Part no.
2	42	257	219	102.6	84.4	271	14575-023
2	42	257	219	102.6	84.4	331	14575-025
2	42	257	219	102.6	84.4	391	14575-027
2	84	471	432	102.6	84.4	271	14575-063
2	84	471	432	102.6	84.4	331	14575-065
2	84	471	432	102.6	84.4	391	14575-067
3	28	186	148	147.1	129.3	271	14575-103
3	28	186	148	147.1	129.3	331	14575-105
3	42	257	219	147.1	129.3	271	14575-123
3	42	257	219	147.1	129.3	331	14575-125
3	42	257	219	147.1	129.3	391	14575-127
3	63	364	326	147.1	129.3	271	14575-143
3	63	364	326	147.1	129.3	331	14575-145
3	63	364	326	147.1	129.3	391	14575-147
3	84	471	432	147.1	129.3	271	14575-163
3	84	471	432	147.1	129.3	331	14575-165
3	84	471	432	147.1	129.3	391	14575-167
3	84	471	432	147.1	129.3	451	14575-169
3	84	471	432	147.1	129.3	511	14575-171
4	42	257	219	191.6	173.8	271	14575-223
4	42	257	219	191.6	173.8	331	14575-225
4	63	364	326	191.6	173.8	271	14575-243
4	63	364	326	191.6	173.8	331	14575-245
4	63	364	326	191.6	173.8	391	14575-247
4	84	471	432	191.6	173.8	331	14575-265
4	84	471	432	191.6	173.8	391	14575-267
4	84	471	432	191.6	173.8	451	14575-269
4	84	471	432	191.6	173.8	511	14575-271



ServicePLUS see page 5.4

Desk-top cases - *compacPRO*

6 U cases



02004006

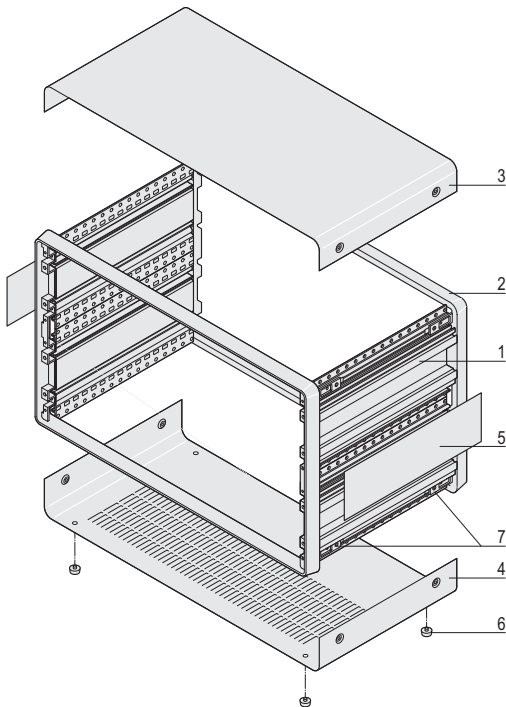
- Desk-top case, pre-configured, for individual assembly
- For backplane mounting with insulation strips
- Ventilation slots in base plate

Delivery comprises (Kit items 1, 2 and 5 fitted)

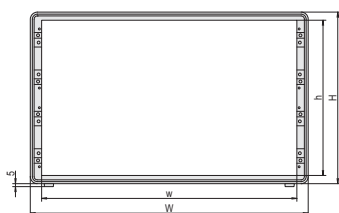
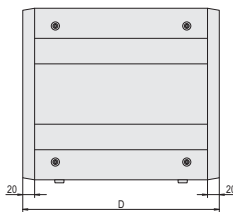
Item	Qty	Description
1	4	Side panel parts, Al extrusion, powder-coated, RAL 7016, 2 x 3 U
2	2	Frame, Al die-cast, powder-coated, RAL 7016
3	1	Cover plate, Al, 1.5 mm, powder-coated, RAL 9006, with GND/earthing tag
4	1	Base plate with 4 rows of ventilation slots, Al, 1.5 mm, powder-coated, RAL 9006, with GND/earthing tag
5	2	Side plate, Al, 0.8 mm, powder-coated, RAL 9006
6	4	Case foot with anti-slip protection, PC, black
7	8	Fixing adaptor for cover plate, prefitted
8	1	Assembly kit also allows the fitting of a full-width front panel, two cover brackets or a rear panel

Order Information

Usable width	Width W	Width w	Height H	Height h	Depth D	Part no.
HP	mm	mm	mm	mm	mm	
63	364	326	280.5	262.9	331	14575-445
63	364	326	280.5	262.9	391	14575-447
84	471	432	280.5	262.9	271	14575-463
84	471	432	280.5	262.9	331	14575-465
84	471	432	280.5	262.9	391	14575-467
84	471	432	280.5	262.9	451	14575-469
84	471	432	280.5	262.9	511	14575-471



02004055



02004056



ServicePLUS see page 5.4

Desk-top cases - **compacPRO**

Filler angle



02005002

- To cover the sides of the frame and to create a continuous front plane with plug-in units and partial-width front panels
- This filler angle is recommended when fitting horizontal rails

Delivery comprises

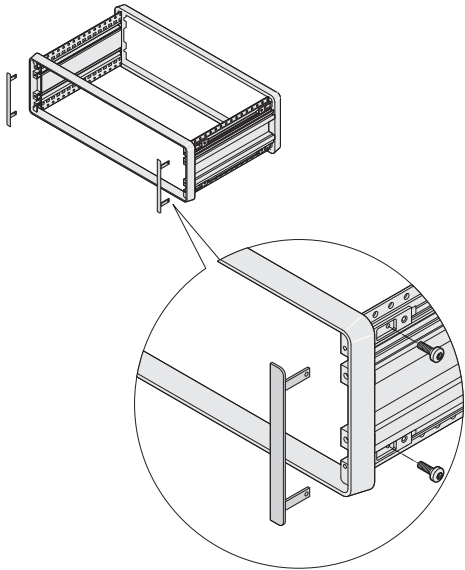
Item	Qty	Description
1	2	Filler angle, Al extrusion, anodised, cut edges plain

Order Information

Height U	Part no.
2	24575-019
3	24575-119
4	24575-219
6	24575-419

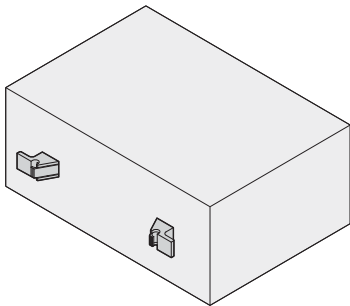
Note

- Fixing material is supplied with case



02004062

Cable holder



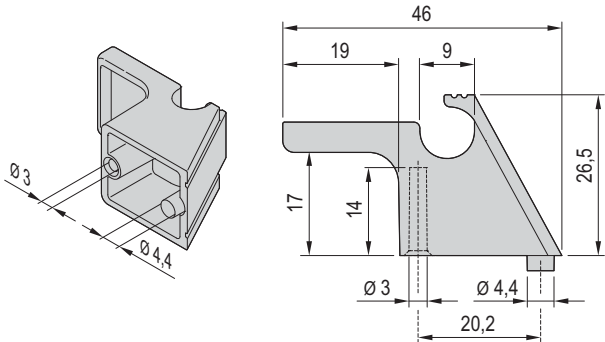
02908053

Delivery comprises (kit)

Item	Qty	Description
1	2	Cable bracket, ABS, UL V-94 0, RAL 7016, detent for cables between 8 mm and 12 mm
2	1	Drilling template, two drill holes each per bracket are needed in rear panel
3	1	Assembly kit

Order Information

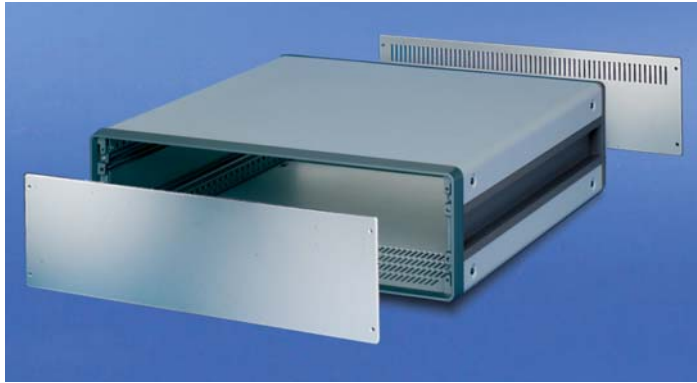
Description	Part no.
Cable holder	24575-800



02908052

Desk-top cases - *compactPRO*

Front panel and rear panel



- Front panels and rear panels are screwed on front or rear frame of case

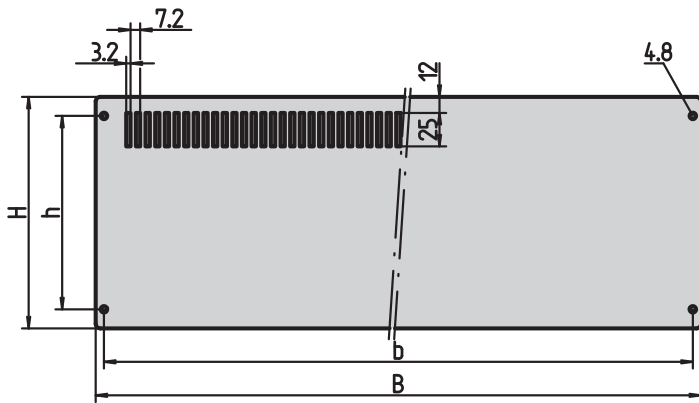
Delivery comprises (kit)

Item	Qty	Description
1	1	Rear panel with 4 rows of ventilation slots, Al, anodised, cut edges plain; 28, 42, 63 HP = 2 mm thick; 84 HP = 2.5 mm thick
2	1	Front panel, Al, anodised, cut edges plain, 3 mm thick

Order Information

Height U	Width HP	Height H mm	Height h mm	Width B mm	Width b mm	Rear panel Part no.	Front panel Part no.
2	42	84	66	238.7	226.3	30823-015	30823-209
2	84	84	66	452.1	439.7	30823-512	30823-215
3	28	128.4	100	167.5	155.1	30823-021	30823-254
3	42	128.4	100	238.7	226.3	30823-024	30823-257
3	63	128.4	100	345.4	333.1	30823-027	30823-224
3	84	128.4	100	452.1	439.7	30823-515	30823-260
4	42	172.9	144.5	238.7	226.3	30823-033	30823-269
4	63	172.9	144.5	345.4	333.1	30823-036	30823-227
4	84	172.9	144.5	452.1	439.7	30823-518	30823-272
6	63	261.8	233.4	345.4	333.1	30823-045	30823-230
6	84	261.8	233.4	452.1	439.7	30823-521	30823-284

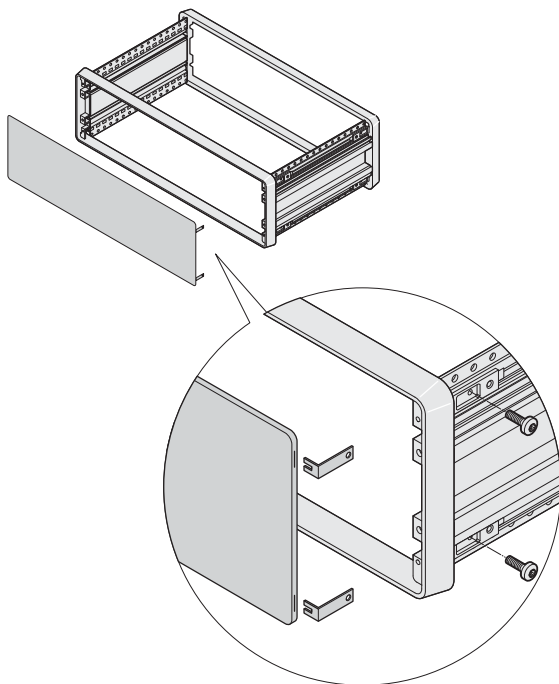
Rear panel/front panel



Note

- Assembly kit to fix one rear and one front panel is included with the case
- Cable holder and rear feet, see from page 5.81

Front panel/rear panel with hidden fixing



Delivery comprises (kit)

Item	Qty	Description
1	1	Front panel, Al, anodised, cut edges plain, 2.5 mm
2	4	Fixing bracket

Order Information

Height U	Width HP	Height H mm	Height h mm	Width B mm	Width b mm	Part no.
2	42	84.0	66.0	238.7	226.3	24575-035
2	84	84.0	66.0	452.1	439.7	24575-075
3	28	128.4	100.0	167.5	155.1	24575-115
3	42	128.4	100.0	238.7	226.3	24575-135
3	63	128.4	100.0	345.4	333.1	24575-155
3	84	128.4	100.0	452.1	439.7	24575-175
4	42	172.9	144.5	238.7	226.3	24575-235
4	63	172.9	144.5	345.4	333.1	24575-255
4	84	172.9	144.5	452.1	439.7	24575-275
6	63	261.8	233.4	345.4	333.1	24575-455
6	84	261.8	233.4	452.1	439.7	24575-475

Note

- Cable holder and rear feet see from page 5.81

Desk-top cases - *compacPRO*

Rear foot with rubber insert



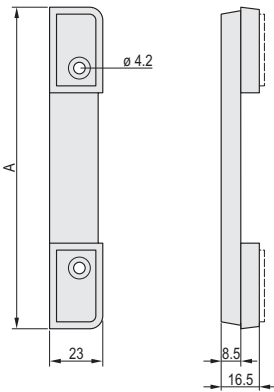
02005004

Delivery comprises

Item	Qty	Description
1	2	Foot with rubber insert, PC, UL 94 V-0, RAL 7016
2	1	Fixing material

Order Information

For case height	A	Part no.
U	mm	
3	139	24575-114
4	183.5	24575-214



02004063

Edge protection/rear foot

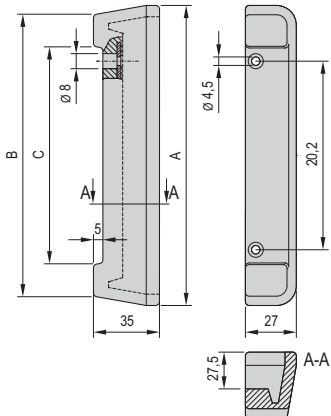


Delivery comprises

Item	Qty	Description
1	2	Edge protection, PU foam, black
2	1	Assembly kit

Order Information

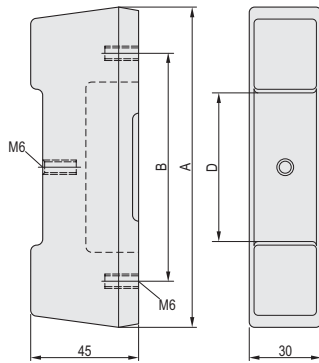
For case height	A	B	C	Part no.
U	mm	mm	mm	
3	159.1	114.0	100.0	20823-675
4	203.6	159.0	144.5	20823-676



02908054

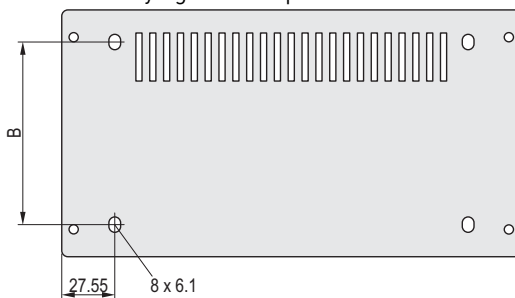
Desk-top cases - *compacPRO*

Rear foot for hood



02004065

Dimensions for modifying the rear panel



02004066

Delivery comprises

Item	Qty	Description
1	2	Foot, PU foam, black, 75° shore
2	1	Fixing material

Order Information

Height U	A mm	B mm	D mm	Part no.
3	133.5	95	65	20823-668
4	177.8	139.5	95	20823-669

■ Rear panel, see page 5.82

Hood



02005006

Delivery comprises

Item	Qty	Description
1	1	Hood, ABS, RAL 7016, wall thickness < 4 mm, fixing with knurled screws
2	1	Assembly kit

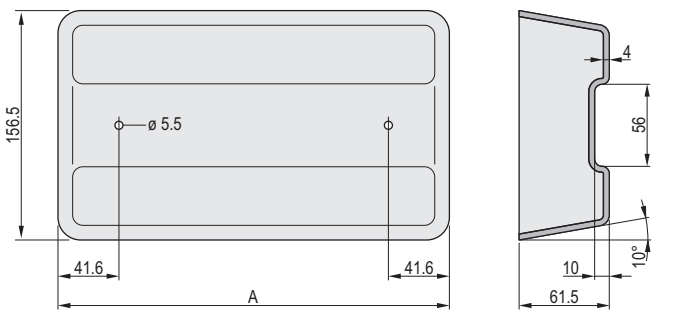
Order Information

Height U	Width HP	A mm	Part no.
3	42	267	24575-136
3	63	373.5	24575-156
3	84	480	24575-176

Cable support PC, black, UL 94 V-0, PU 2 pieces **20823-674**

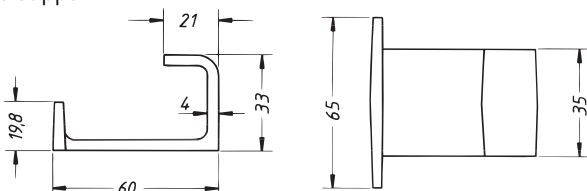
Note

- Cable support can only be fitted in conjunction with rear foot for hood
- To fit the hood, the rear panel and the rear foot for hood must be mounted on the case
- Rear panel, see page 5.82
- Rear foot for hood see page 5.84



02004064

Cable support



A4-512

Desk-top cases - *compacPRO*

Front door, acrylic glass, hinged



02005003

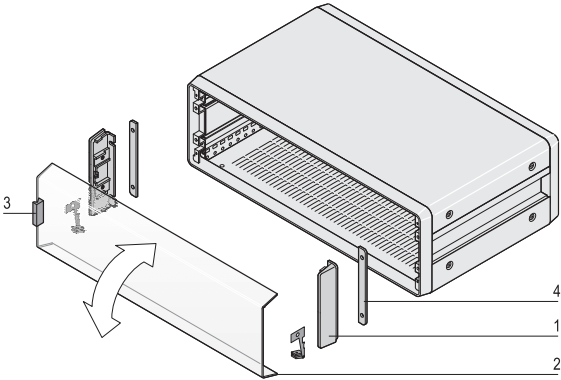
- Assembly of the hinge to top or bottom
- With snap-on latch
- Lock retrofittable

Delivery comprises (kit)

Item	Qty	Description
1	2	Side part, Al die-cast, powder-coated, RAL 7016
2	1	Front door, PMMA, tinted blue-grey, acrylic glass, 3 mm
3	1	Snap-on latch, PC, UL 94 V-0, black
4	2	Spacer plate, Al, 3 mm, passivated
5	1	Assembly kit

Order Information

Height U	Width HP	Part no.
3	42	24575-137
3	63	24575-157
3	84	24575-177
Lock for front door cylinder, 2 keys, assembly parts		21100-647

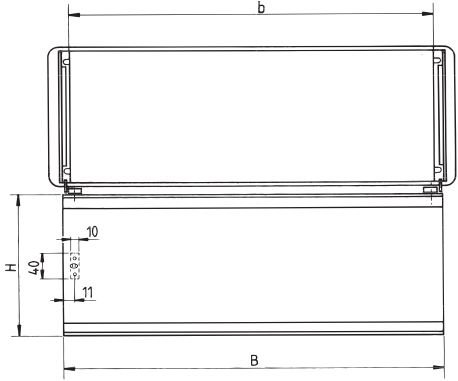


02004069

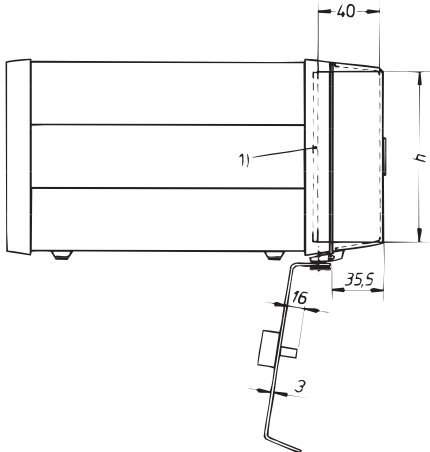
Dimensions table

Height U	b TE	H mm	h mm	B mm
3	42	139,50	128,40	229,60
3	63	139,50	128,40	336,40
3	84	139,50	128,40	443,00

Front door, hinged



a4-2265



a4-225

1) Front panel

Desk-top cases - *compacPRO*

Tip-up carrying handle



02004002

- With powder-coated handle bar
- Handle bar adjustable in 30 degree increments by pressing button
- Load-carrying capacity 20 kg

Delivery comprises (kit)

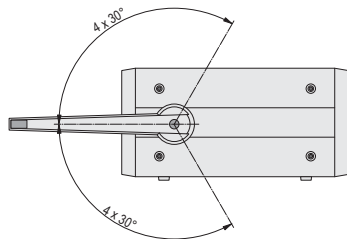
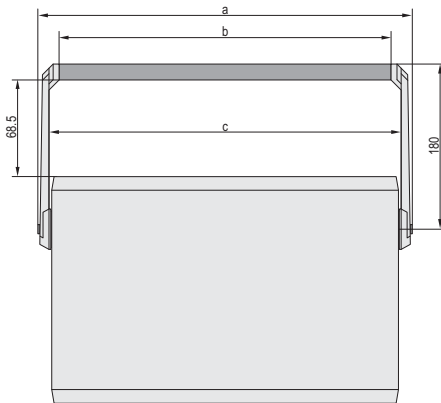
Item	Qty	Description
1	1	Carrying bar, Al profile, powder-coated, RAL 7016
2	2	Lateral section of handle, Zn die-cast, powder coated, length 180 mm
3	2	Safety insert, St, 1.5 mm, black
4	1	Fixing material incl. drilling template for side panel

Order Information

For case height	Width	Part no.
U	HP	
2	42	24575-038
2	84	24575-078
3, 4	28	24575-118
3, 4	42	24575-138
3, 4	63	24575-158
3, 4	84	24575-178

Dimensions

Case width	a	b	c
HP	mm	mm	mm
28	249.32	180.32	202.72
42	320.44	251.44	273.84
63	427.12	358.12	380.52
84	533.80	464.80	487,20



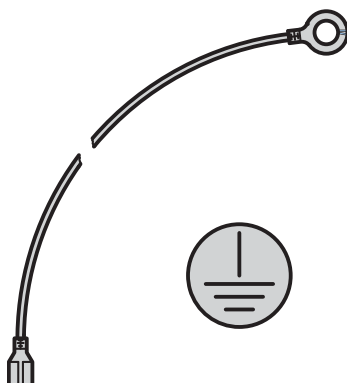
02004080

GND/earthing kit

- Protective GND/earth connections in accordance with
DIN EN 50178/VDE 0160,
DIN EN 60950/VDE 0805,
DIN EN 61010-1/VDE 0411 part 1,
DIN EN 61010-1A2/VDE 0411 part 1/A1
VDE inspection requested

Order Information

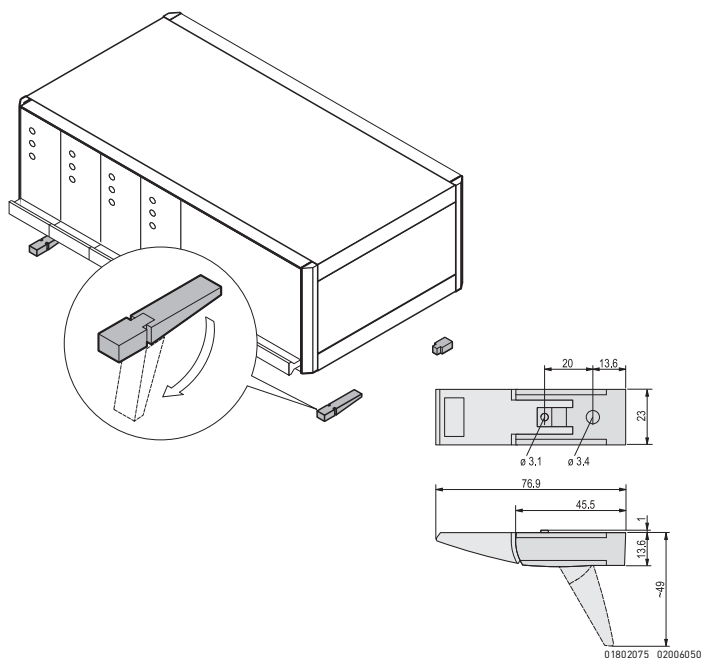
Description	Qty/PU	Part no.
GND/earthing kit, CU wire 1.5 mm ² , PVC covered, green/yellow, links side panel, base plate, cover and rear panel	1	24575-801



32a43284

Desk-top cases - *compacPRO*

Plastic tip-up feet



- Static load-carrying capacity 25 kg per foot
- Tip-up feet can be used instead of the case feet fitted as standard
- Fixing holes provided in bottom of case

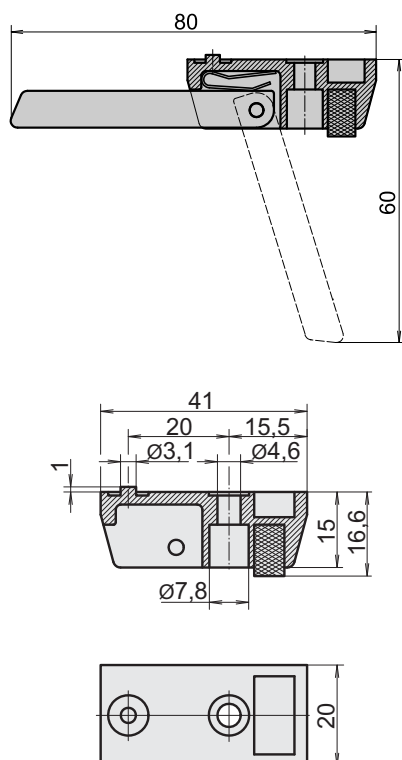
Delivery comprises (kit)

Item	Qty	Description
1	4	Foot, PA, UL 94 V-0
2	4	Anti-slip protection, TPE
3	2	Tip-up device, PA, UL 94 V-0
4	1	Assembly kit

Order Information

Description	RAL 7016 anthracite	RAL 9006 silver
	Part no.	Part no.
Plastic tip-up foot	20603-002	20603-001

Al die-cast tip-up foot



- Static load-carrying capacity 50 kg per foot
- Tip-up feet can be used instead of the case feet fitted as standard
- Fixing holes provided in bottom of case

Order Information

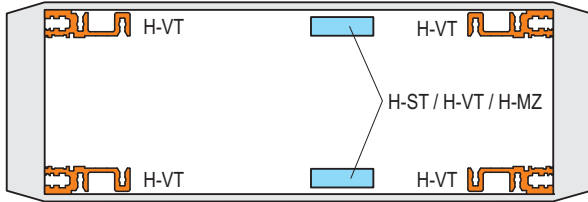
Description	Qty	Part no.
Foot without tip-up, Al die-cast, silver	1 piece (SPQ 10) ¹⁾	10603-001
Foot with tip-up, Al die-cast, silver	1 piece (SPQ 10) ¹⁾	10603-002
Accessories		
Cheesehead screw with slot M4 × 12, St, zinc-plated, PU 100 pieces		21101-211
Hexagon nut M4, St, zinc-plated, PU 100 pieces		21100-211
Spring washer A4, St, zinc-plated, PU 100 pieces		21100-207

1) Delivery is exclusively in Standard Pack Quantity (SPQ): Please order at least 10 pieces or a multiple. Pricing is per individual item.

Desk-top cases - *compacPRO*

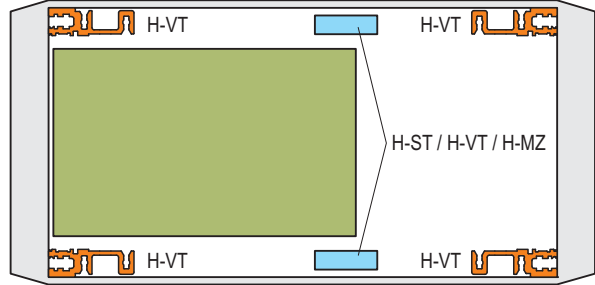
Mounting position horizontal/central rail

Case, 2 U



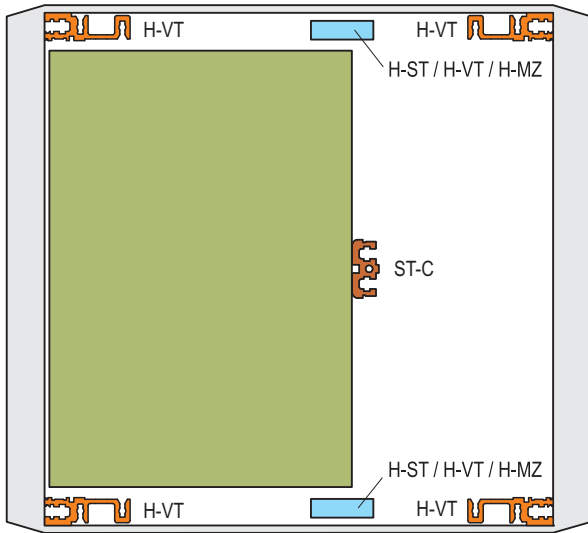
02004073

Case, 3 U + 4 U



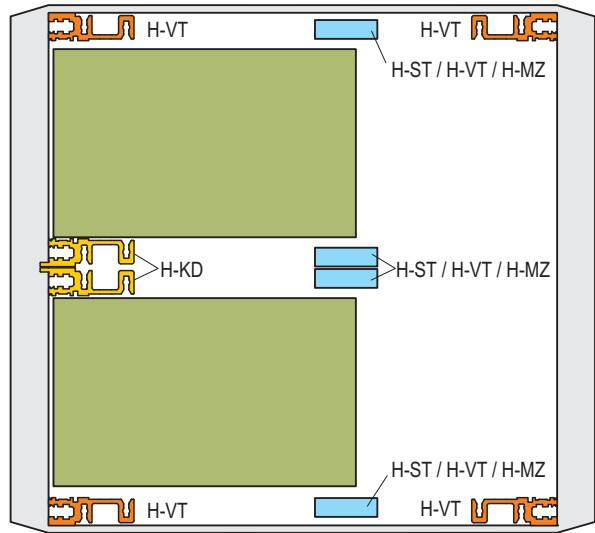
02004074

Case, 6 U



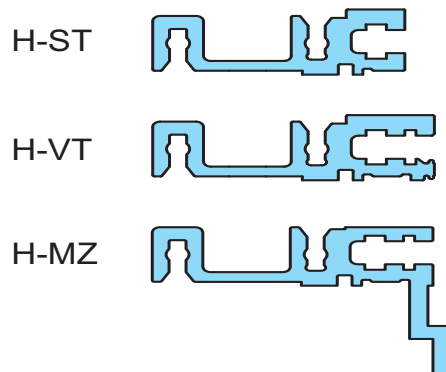
02004076

Case 2 x 3 U (6 U)



02004077

Horizontal rails










02004078

Desk-top cases - *compacPRO*

Horizontal rails to front/centre/rear

Order Information

		For indirect backplane fixing with insulation strip	For direct backplane fixing	For direct fixing of connectors in accordance with EN 60603-2 (DIN 41612)	Front horizontal rails
					
		06400001	06400002	06440003	
		"heavy" Type H-ST standard	"heavy" Type H-VT long lip	"heavy" Type H-MZ with Z-rail	"heavy" Type H-KD short lip
					
		06197011	06197013	06197015	06197008
		Al extrusion, anodised finish, conductive contact surface, with printed HP markings	Al extrusion, anodised finish, conductive contact surface, with printed HP markings	Al extrusion, anodised finish, conductive contact surface, with printed HP markings	Al extrusion, anodised finish, conductive contact surface, with printed HP markings
Usable length HP	Length mm	1 piece [SPQ 10]¹⁾	1 piece [SPQ 10]¹⁾	1 piece [SPQ 10]¹⁾	1 piece [SPQ 10]¹⁾
28	147.32	34560-528	34560-728	34560-928	34560-228
42	218.44	34560-542	34560-742	34560-942	34560-242
63	325.12	34560-563	34560-763	34560-963	34560-263
84	431.80	34560-584	34560-784	34560-984	34560-284
Torx countersunk screw, , M4 × 14, St, zinc-plated, PU 100 pieces		24571-371	24571-371	24571-371	24571-371
Torx countersunk screw, , M4 × 10, St, zinc-plated, required if guide rail is screwed to slot 1, PU 100 pieces		-	-	24571-372	24571-372
Z-rail for connector mounting without insulation strip see page		5.91	-	-	-
Insulation strips see page		-	5.90	-	-
Threaded inserts see page		5.90	5.90	5.90	5.90

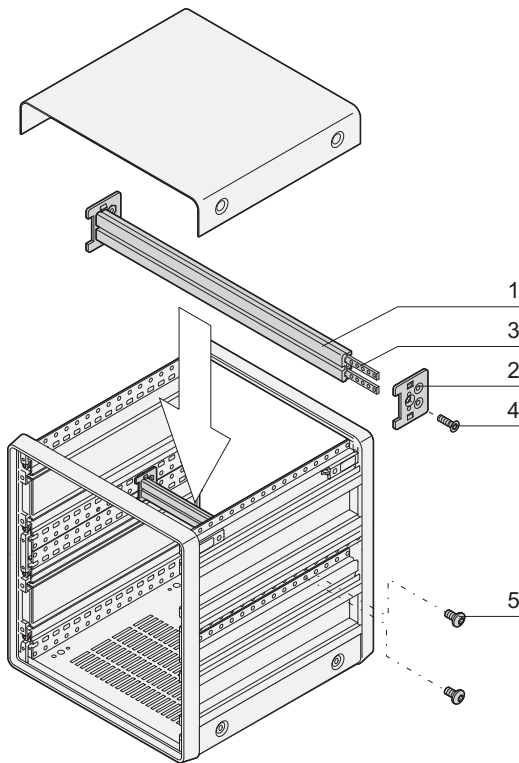
1) SPQ (standard pack quantity): Order number includes 1 piece, but delivery is exclusively made in standard pack quantity (SPQ); please order at least the SPQ quantity or a multiple thereof

Note

- Further horizontal rails, see from page 6.27
- Fitting options, see page 5.88

Desk-top cases - *compacPRO*

Horizontal rail, centre, type ST-C



- For indirect backplane mounting (with insulation strip)
- For 6 U compacPRO case

Delivery comprises (Kit, items 1 to 4 are pre-mounted)

Item	Qty	Description
1	1	Horizontal rail, Al extrusion, anodised, contact surfaces conductive
2	2	Adaptor plate, Al
3	2	Threaded insert, M2.5, St, zinc-plated
4	2	Countersunk screw, M4 x 14
5	4	Panhead screw, M4 x 6

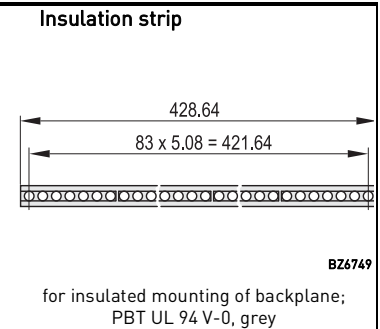
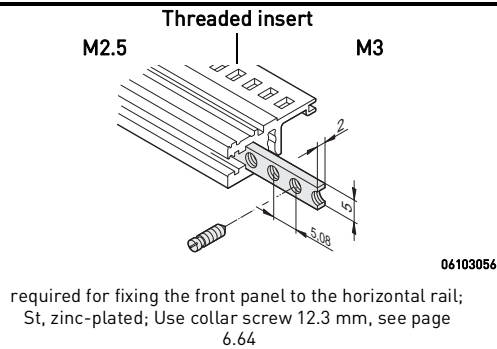
Order Information

Usable width	Length	Part no.
HP	mm	
63	325.1	24575-454
84	431.8	24575-474

Threaded inserts, perforated strips, insulation strips

Order Information

Usable length HP	Threaded insert		Insulation strip		
	Length mm	1 piece (SPQ 10) ¹⁾	1 piece (SPQ 10) ¹⁾	Length mm	PU 10 pieces
28	146.82	34561-328	-	144.20	24560-828
42	217.94	34561-342	-	210.40	24560-842
63	324.62	34561-363	-	316.88	24560-863
84	431.30	34561-384	34561-484	428.64	24560-884



Accessories

Grub screw M2.5 x 8, PU 100 pieces	21100-276	-	-
Grub screw M3 x 8, PU 100 pieces	-	21100-646	-

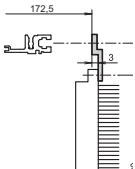
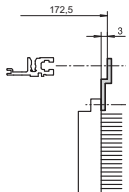
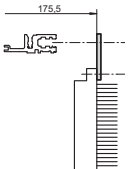
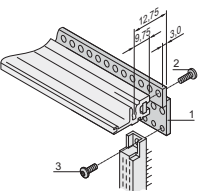

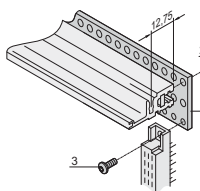
1) SPQ (standard pack quantity): Order number includes 1 piece, but delivery is exclusively made in standard pack quantity (SPQ); please order at least the SPQ quantity or a multiple thereof

2) Part no. includes one packing unit (PU); delivery is exclusively made in PU

Desk-top cases - *compacPRO*

Z-rails, perforated rails


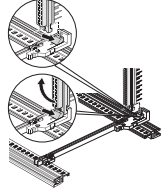
Order Information

		Z-rail for connectors		Perforated rail
		DIN EN 60603-2, DIN 41612 item 1	31-pin, DIN 41617	EN 606032, DIN 41612 item 1
		 <p>BZA45849</p>	 <p>BZA45850</p>	 <p>BZA45848</p>
		 <p>06708063</p>	 <p>06708051</p>	 <p>06708051</p>
		for connector mounting on ST horizontal rails, please order threaded insert and screw separately	for connector mounting on ST horizontal rails, please order threaded insert and screw separately	for connector mounting on VT horizontal rails, please order threaded insert and screw separately
Usable length	Length	1 piece	1 piece	PU 4 pieces
HP	mm			
28	142.24	30822-033	-	20822-049
42	213.36	30822-047	-	20822-050
60	304.80	30822-065	30819-783	20822-047
84	426.70	30822-089	30819-808	20822-048
Item 3, Torx panhead screw to fix connector to perforated rail,, M2.5 x 7, PU 100 pieces		24560-147	24560-147	24560-147
Item 2, Torx panhead screw, to fix perforated rails to horizontal rail, M2.5 x 10, PU 100 pieces		24560-148	24560-148	24560-148

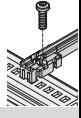
Desk-top cases - *compacPRO*

Guide rails for plug-in units and modules, one-piece,
groove width 2 mm and 2.5 mm

Order Information

Assembly - can be clipped into Al extruded horizontal rails - can be clipped into 1.5 mm thick plates Storage temperature from -40 °C ... 130 °C			For plug-in units and frame type plug-in units <div style="display: flex; justify-content: space-around;"> <div style="text-align: center;"> standard  <small>06102001</small> up to 220 mm length, PBT, UL 94 V-0; from 280 mm length, multi-piece, end piece PBT, UL 94 V-0, central section Al extrusion </div> <div style="text-align: center;"> standard, with DIN connector fixing  <small>06101501</small> PBT, UL 94 V-0, red, connector is clipped directly onto the guide rails; for euroboards, 100 x 160 mm or 100 x 220 mm only </div> </div>	
Board length	Groove width	Colour	PU 10 pieces	1 pair (SPQ 10)¹⁾
mm	mm	mm		
70	2	red	-	-
70	2	grey	-	-
160	2	red	24560-351	64560-074
220	2	red	24560-353	64560-075
280	2	red	24560-379	-
340	2	red	24560-380	-
160	2.5	red	-	-
220	2.5	red	-	-
Dimension drawings see page			6.40	6.40

Accessories

Retention screw, PU 100 pieces		24560-141	24560-141
ESD clip, PU 50 pieces		24560-255	24560-255

¹⁾ SPQ (standard pack quantity): Order number includes 1 piece, but delivery is exclusively made in standard pack quantity (SPQ); please order at least the SPQ quantity or a multiple thereof

²⁾ Part no. includes one packing unit (PU); delivery is exclusively made in PU

Description of accessories see from page 6.41

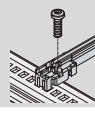
Desk-top cases - *compacPRO*

Guide rails type "accessory", one-piece,
groove width 2 mm and 2.5 mm

Order Information

Assembly - can be clipped into horizontal rails in Al extrusion - can be clipped into 1.5 mm thick plate Storage temperature from -40 °C ... +130 °C			accessory  <small>06102002</small> up to 280 mm length, PBT, UL 94 V-0; > 280 mm length, multi-piece, end piece PBT, UL 94V-0, middle section Al extrusion	Guide rails type accessory, strengthened  <small>06102005</small> PBT UL 94 V70, red support beam of guide rails adds to strengthening	for heavy modules, Al extrusion, silver, robust version  <small>06102005</small> Al extrusion; is screwed to horizontal rail "heavy" with retention screws
Board length mm	Groove width mm	Colour mm	PU 10 pieces	1 piece (SPQ 50)	1 piece (SPQ 10) ¹⁾
100	2	red	-	-	-
160	2	red	24560-373	64560-076	-
160	2	grey	-	-	34562-881
220	2	red	24560-374	64560-078	-
220	2	grey	-	-	34562-882
280	2	red/ silver	24560-375	64560-080	34562-883
340	2	red/ silver	24560-376	-	34562-884
400	2	red/ silver	-	-	34562-885
160	2.5	silver	-	-	34564-881
220	2.5	silver	-	-	34564-882
280	2.5	silver	-	-	34564-883
340	2.5	silver	-	-	34564-884
400	2.5	silver	-	-	34564-885
Dimension drawings see page			6.40	6.40	6.40

Accessories

Retention screw, PU 100 pieces 	24560-141	24560-141	24560-157
ESD clip, PU 50 pieces	24560-255	24560-255	-
Board locking, red, PU 10 pieces	24560-377	24560-377	-
Board handle, red, PU 10 pieces description	24560-378	24560-378	-
Identification strips for board handle, red, PU 1 sheet = 438 pieces	60817-228	60817-228	-
Coding see page	see page 6.41		-

1) SPQ (standard pack quantity): Order number includes 1 piece, but delivery is exclusively made in standard pack quantity (SPQ); please order at least the SPQ quantity or a multiple thereof

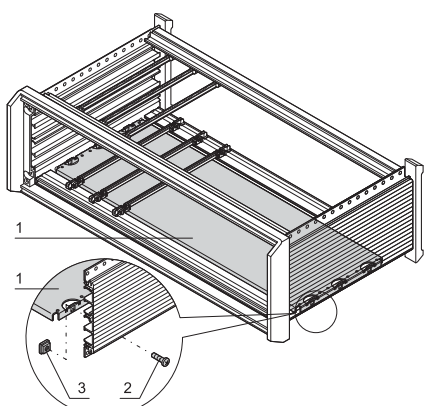
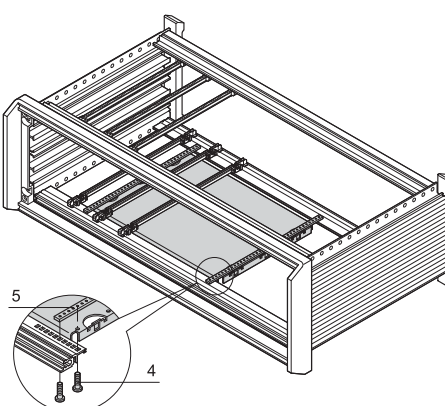
2) Part no. includes one packing unit (PU); delivery is exclusively made in PU

Further guide rails see page 6.35

Desk-top cases - *compacPRO*

Mounting plates

Order Information

			Mounting plate for fixing of heavy components	
			Mounting plate over full width : mounting is onto the side panels; mounting plate over partial width : mounting is onto one side panel and fixing strip or onto 2 fixing strips	Assembly strip for partial widths
			 <small>06102501</small> Al, 1.5 mm; for mounting over partial width, please order assembly strips separately	 <small>05806100</small> St, 2 mm, zinc-plated; is bolted from front to rear onto the horizontal rails; to fix mounting plates
Width W	HP	Board length mm		
28	146.88	160	34562-745	30840-021
28	146.88	220	34562-749	30840-033
28	146.88	280	34562-753	30840-045
28	146.88	340	34562-757	30840-057
42	217.99	160	34562-746	30840-021
42	217.99	220	34562-750	30840-033
42	217.99	280	34562-754	30840-045
42	217.99	340	34562-758	30840-057
63	324.67	160	34562-747	30840-021
63	324.67	220	34562-751	30840-033
63	324.67	280	34562-755	30840-045
63	324.67	340	34562-759	30840-057
84	431.35	160	34562-748	30840-021
84	431.35	220	34562-752	30840-033
84	431.35	280	34562-756	30840-045
84	431.35	340	34562-760	30840-057
Assembly kit for mounting plate PU 1 kit (Torx countersunk screw M4 x 5, St, zinc-plated, 12 pieces; screw M4 x 6, St, zinc-plated, 10 pieces; M4 square nut, St, zinc-plated, 10 pieces)			24560-184	-
Assembly kit for assembly strips of mounting plate, Torx screw M2.5 x 5, St, zinc-plated, PU 100 pieces M2.5 x 5, St, zinc-plated, PU 100 pieces			-	24560-146

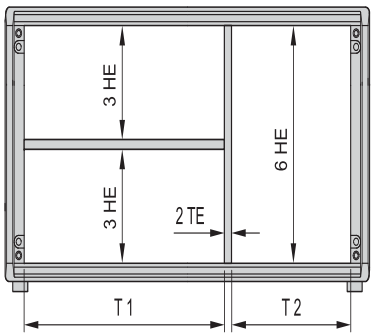
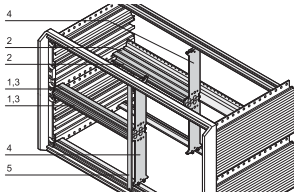
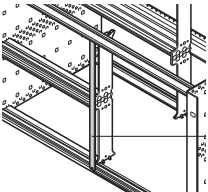
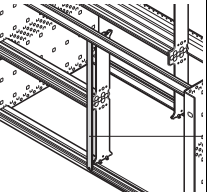
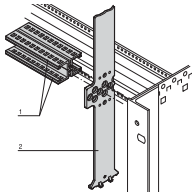
Note

- For installation and assembly of heavier components
- The mounting plate is as wide as the case and is fixed to the side panels
- A guide rail can be mounted on the first and last slot positions
- 4.4" and "strengthened" guide rails cannot be used

Desk-top cases - *compacPRO*

Combined mountings (6 U and 2 x 3 U one above the other)

Order Information

 05806108	horizontal and vertical subdivision (incl. front panel for stainless steel EMC gasket)  bza45819	Combined mounting: unshielded front panel, 6 U, 2 HP item 6  06102501	front panel for textile EMC gasket, 6 U, 2 HP item 6  06102501	Splitting extrusion for combined mounting Item 2  06102501
item 1: 2 front horizontal rails (H-KD), Al extrusion, anodised; item 2: 2 rear horizontal rails (AB), Al extrusion, anodised; item 3: threaded insert, St, zinc-plated; item 4: Zn die-cast support member; item 6: front panel 2 HP, 6 U, shielded; with EMC stainless steel gasket (84:0 without items 4, 6)	Al, 2.5 mm, front anodised, rear iridescent green chromated	Al, 2.5 mm, U-profile with notch, 6 U, 2 HP	6 U, die-cast zinc; splitting extrusion is inserted in the grid holes of the horizontal rail; the splitting extrusion can be bolted	
Width pitch T1:T2 HP 20:62 40:42 42:40 63:19 84:0	PU 1 kit 24562-420 24562-440 24562-442 24562-463 24562-484	1 piece (SPQ 5) 30847-472	1 piece (SPQ 5)¹⁾ 30849-140	1 piece 64560-010
Torx countersunk screw M4 × 14, zinc-plated, PU 100 pieces fixing splitting extrusion/horizontal rail	-	-	-	24560-145
Panhead screw M2.5 × 10, St, zinc-plated, PU 100 pieces fixing horizontal rail/splitting extrusion	-	-	-	24560-179
Pozidrive/slotted collar screw M2.5 × 12.3, St, nickel-plated, PU 100 pieces	-	21101-101	21101-101	-
Pozidrive/slotted collar screw M2.5, black, zinc-plated, PU 100 pieces	-	21101-102	21101-102	-
Washer 2.7 × 5 × 1, plastic PA 6, PU 100 pieces	-	21101-121	21101-121	-
Textile gasket, core: foam, sleeve: textile cladding with CuNi coating, UL 94 V-0, PU 10 pieces	-	-	21101-855	-

- Subdivision of the 6 U assembly area into:
 - 2 x 3 U
 - 1 x 6 U

- Designed to accept Euroboards (100 mm high) and double Euroboards (233.35 mm high)

Note

- Please order perforated strips for horizontal rails separately, see page 5.90
- Please order rear centre horizontal rail separately, see page 5.89

Desk-top cases - *compacPRO*

Horizontal board installation

Order Information

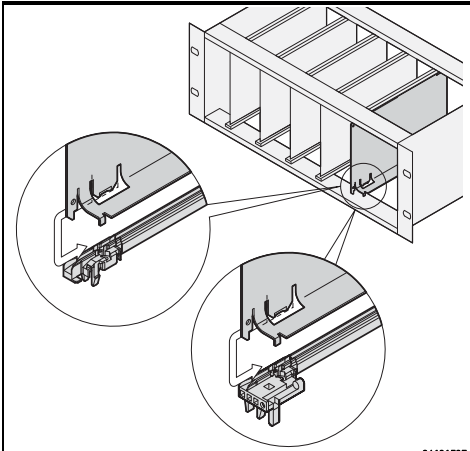
			Horizontal board installation																	
			Board cage	Front frame for EMC shielding	Front frame, unshielded															
<p>H = usable height (1 TE = 1 HP, 1 HE = 1 U)</p> <table border="1"> <thead> <tr> <th>Height U</th> <th>Usable height h HP</th> <th>Other dimensions and options</th> </tr> <tr> <th></th> <th></th> <th>Horizontal rail, front Horizontal rail, rear</th> </tr> </thead> <tbody> <tr> <td>3</td> <td>20</td> <td></td> </tr> <tr> <td>3</td> <td>20</td> <td></td> </tr> <tr> <td>4</td> <td>28</td> <td></td> </tr> </tbody> </table>			Height U	Usable height h HP	Other dimensions and options			Horizontal rail, front Horizontal rail, rear	3	20		3	20		4	28		<p>05806092</p> <p>05806091</p> <p>Struts die-cast zinc; horizontal rails front and rear; threaded insert, St, zinc-plated; fixing material kit; for horizontal mounting of double-height euroboards in 3 or 4 U high subracks/cases; 54 HP space required; please order front frame for EMC shielding separately</p> <p>PU 1 kit</p>	<p>bpa45913</p> <p>2 horizontal covers, Al 2.5 mm, front anodised, rear iridescent green chromated; 2 vertical trims, Al extrusion, clear passivated; stainless steel EMC gasket; front frame forms the contact between subrack and the sub-assemblies</p> <p>PU 1 kit</p>	<p>bza43061</p> <p>Al, 2.5 mm, clear anodised; front frame with cut-out, clear internal width w = 266.35 mm</p> <p>1 piece</p>
Height U	Usable height h HP	Other dimensions and options																		
		Horizontal rail, front Horizontal rail, rear																		
3	20																			
3	20																			
4	28																			
<p>Assembly tool, for mounting the EMC gasket (stainless steel)</p>			-	24560-270	-															

* For direct backplane mounting

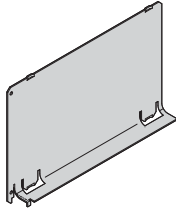
Desk-top cases - *compacPRO*

Air baffle for slots

Order Information



Air baffle
without front panel



06108085

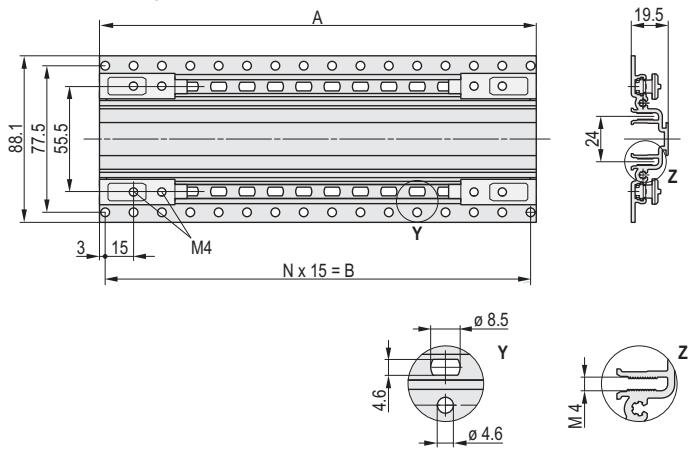
Al, 1 mm, incl. assembly kit; prevents an air short circuit in unoccupied slot positions; is pushed into the groove of the guide rails

Depth mm	Width HP	Height U	
160	4	3	34562-823
160	4	6	
160	8	3	34562-833
160	8	6	34562-836
160	12	3	34562-843
160	12	6	34562-846
220	4	3	34562-824
220	4	6	34562-827
220	8	3	34562-834
220	8	6	34562-837
220	12	3	34562-844
220	12	6	34562-847

Desk-top cases - *compacPRO*

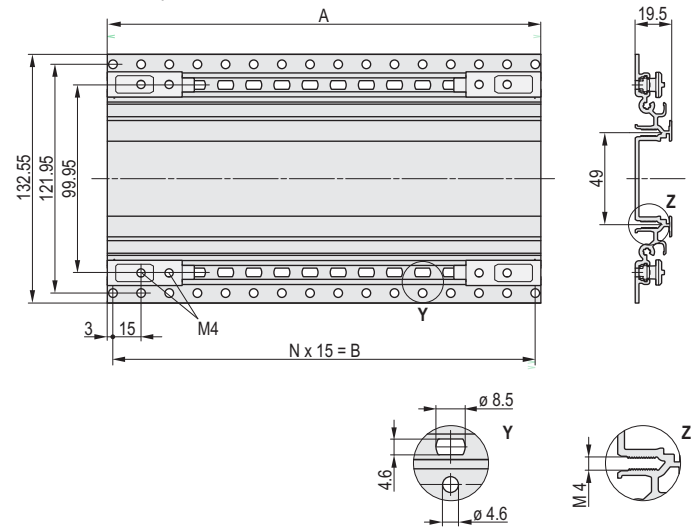
Dimensions

Extruded side panel 2 U



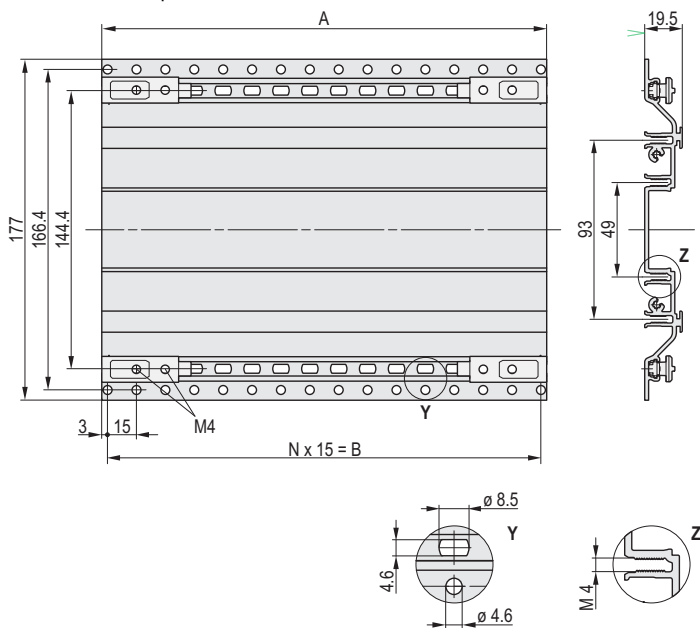
02004057

Extruded side panel 3 U



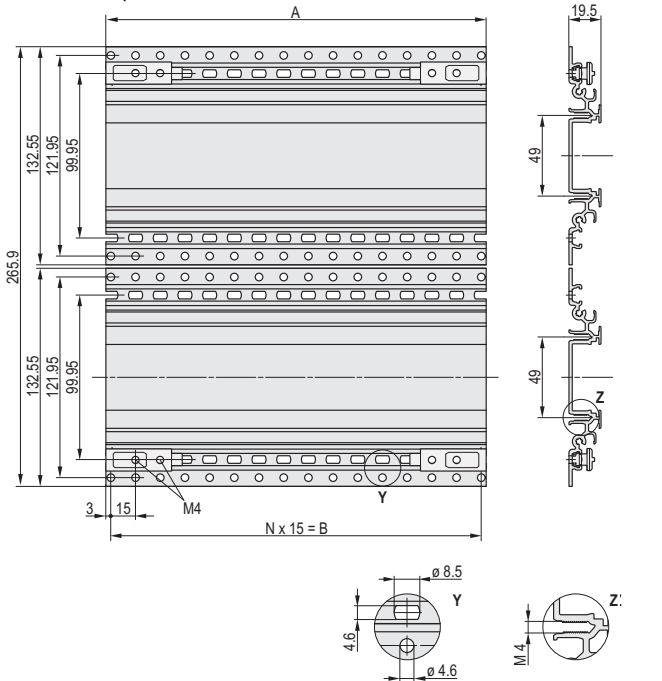
02004058

Extruded side panel 4 U



02004059

Extruded side panel 6 U



02004060

Dimensions

For case depth	Max. mounting depth	Dimensions	
mm	mm	A in mm	B in mm
271	250	231	15 15 = 225
331	310	291	19 15 = 285
391	370	351	23 15 = 345
451	430	411	27 15 = 405
511	490	471	31 15 = 465

Note

Side panel for 6 U case consists of two 3 U extruded side panels

Desk-top cases - **compacPRO**

Appendix – Order notes

Packaging units

A packaging unit (PU) - e.g. carton, bag - contains the stated quantity. If you order the quantity 1, you will automatically receive the quantity defined as PU.

Example: EMC textile gasket
See page 5.22
Part number 21101-853

Quantity (per part number): 10 pieces

Order quantity: Delivery quantity:

1	10 pieces
2	20 pieces
3	30 pieces

Price list

Our price list is available by e-mail from your customer consultant. Please find all contact details at www.schroff.biz/contact.

Always up-to-date

Please visit our website www.schroff.biz where we continuously inform about news and technical changes.

Quick links

Catalogue request: www.schroff.biz/catalogues

Product configurators: www.schroff.biz/conf

Contact details: www.schroff.biz/contact

Product search: www.schroff.biz/oneclick

Front Panel Express: www.frontpanelexpress.eu

VARISTAR: www.varistar.co.uk

Railway technology: www.schroff.co.uk/railway

IT Infrastructure: www.schroff.co.uk/datacom

Standard pack quantity (SPQ)

Please take into consideration that deliveries may be carried out in the stated SPQs (SPQ, e.g. 5 pieces, 10 pieces, 50 pieces, etc.). Differing order quantities (e.g. 2 pieces) may be changed to the next possible delivery quantity = Standard Pack Quantity (in this case 10 pieces).

Example: Front horizontal rail
See page 5.31
Part number 34560-228

Quantity (per part number): 1 piece
Standard pack quantity (SPQ): 10 pieces

Order quantity: Delivery quantity:

≤ 10	10 pieces
> 10 ≤ 20	20 pieces
> 20 ≤ 30	30 pieces

Delivery times

Part numbers in bold face type are ready for despatch within 2 working days; part numbers in normal type are ready for despatch within 10 working days.

Business relations

Schroff is exclusively operating in Business to Business (B2B). Private individuals can buy Schroff products via our sales representatives (see www.schroff.biz/contact).

Responsible for contents and print

Schroff GmbH, Marketing Communication,
D-75334 Straubenhardt, Germany

The data in this catalogue have been thoroughly edited and checked - in assistance with an accredited Quality Management System in accordance with EN ISO 9001:2008.

Faults and spelling mistakes, but mainly changes due to improvements and further developments of our products are subject to change. There is no possibility to claim indemnity/compensation.

Cabinets	Overview.....	1.0	LHX 20/40 Air/water heat exchangers.....	1.224	1
	Varistar Cabinet platform.....	1.2	LHX 3 Air/water heat exchangers.....	1.236	
	Varistar Electronics.....	1.10	Novastar.....	1.240	
	Varistar EMC.....	1.54	Eurorack.....	1.270	
	Varistar Seismic.....	1.84	Outdoor.....	1.316	
	Varistar MIL.....	1.120	Etsirack.....	1.346	
	Varistar Data/network systems.....	1.124	19" lab racks.....	1.354	
	Varistar Containment.....	1.202	PROLINE.....	1.362	
Wall mounted case	Overview.....	2.0			2
	Epcase.....	2.36			
	LAN wall-mounted distributors.....	2.46			
Cabinet and wall-mounted case accessories	Overview.....	3.0	Monitors, keyboards, monitoring.....	3.44	3
	Mechanics.....	3.2	Socket strips.....	3.50	
	Telescopic slides.....	3.24	Power control socket strips.....	3.72	
	Electrical.....	3.29			
Climate control	Overview.....	4.0	Accessories.....	4.58	4
	Cooling concepts/service.....	4.2			
	19" fan trays.....	4.4			
	Air filtered fans.....	4.20			
Desktop enclosures	Overview.....	5.0	Comptec.....	5.100	5
	RatiopacPRO.....	5.6	Accessories.....	5.108	
	PropacPRO.....	5.44	Interscale.....	5.200	
	CompacPRO.....	5.76	Minipac.....	5.230	
Subracks/ 19" chassis	Overview.....	6.0	EuropacPRO industrial applications.....	6.86	6
	EuropacPRO.....	6.2	EuropacPRO Rugged.....	6.92	
	EuropacPRO for railroad applications.....	6.70	MultipacPRO.....	6.112	
			Inpac.....	6.128	
Front panels, Plug-in-units, Frame type plug-in-units	Overview.....	7.0	PCB accessories.....	7.102	7
	Front panels.....	7.2			
	Plug-in units.....	7.16			
	Frame type plug-in units.....	7.64			
Systems	Overview.....	8.0	AdvancedMC modules.....	8.56	8
	AdvancedTCA.....	8.2	CompactPCI, Serial, PlusIO, PSB.....	8.68	
	AdvancedMC carriers.....	8.26	VME, VME64x, VXS, VPX.....	8.88	
	MicroTCA.....	8.36	Accessories.....	8.106	
Power supply systems	Overview.....	9.0	19" accessories.....	9.18	9
	19" AC/DC switched-mode PSUs.....	9.2	PSUs for MicroTCA.....	9.20	
	19" AC/DC linear regulators.....	9.12	PSUs for VMEbus.....	9.22	
	19" AC/DC convertors.....	9.15	PSUs for CompactPCI, VME64x.....	9.24	
Backplanes	Overview.....	10.0	VME64x, VMEbus.....	10.15	10
	CompactPCI, Serial, PlusIO.....	10.4	Power.....	10.18	
	PXI.....	10.11	Universal.....	10.19	
	VXS.....	10.14	Test adaptors.....	10.20	
Connectors, Front panel component systems	Overview.....	11.0			11
	Connectors.....	11.2			
	Front panel component system.....	11.12			
Appendix	Standards abbreviations.....	12.0			12
	Notes on ordering.....	12.10			
	Order number index.....	12.11			
	Product index.....	12.62			



element14

EN - For pricing and availability in your local country please visit one of the below links:

DE - Informationen zu Preisen und Verfügbarkeit in Ihrem Land erhalten Sie über die unten aufgeführten Links:

FR - Pour connaître les tarifs et la disponibilité dans votre pays, cliquez sur l'un des liens suivants:

[14575-477](#)

EN

This Datasheet is presented by
the manufacturer

DE

Dieses Datenblatt wird vom
Hersteller bereitgestellt

FR

Cette fiche technique est
présentée par le fabricant