

SOLATUBE

SOLAR STAR LOW & HIGH PROFILE ROOF VENTS

INSTALLATION ANCHORAGE DETAILS

PROJECT NUMBER: 417-0905			
E	UPDATED TO 6TH EDITION (2017) FBC	2/6/18	RJA
D	UPDATED TO 5TH EDITION (2014) FBC	5/11/15	JBH
C	ADDED RM-1500 UNIT LOW & HIGH PROFILES	8/15/12	TJH
B	UPDATE TO 2010 FBC	02/08/12	TJH
A	ADDED HIGH PROFILE VENT & DP TABLE	08/10/11	TJH
REV	DESCRIPTION	DATE	BY

SOLATUBE
2210 OAK RIDGE WAY
VISTA, CALIFORNIA 92081-8341

"SOLAR STAR" SOLAR POWERED
LOW AND HIGH PROFILE ROOF VENTS
GENERAL AND INSTALLATION NOTES

DRAWN BY: CB DATE: 6/11/08
SCALE: N.T.S. DRAWING NO: SOLA0003
REV: E SHEET: 1 OF 3

PDC
PDC PRODUCT DESIGN GROUP, LLC
PO BOX 520775 Phone: 321.690.1788
LONGWOOD, FLORIDA 32752 Fax: 321.690.1789
FBPE C.A. NO. 25935 Email: info@pdc-corp.com

Robert J. Amoruso, P.E.
FL P.E. No. 49752

GENERAL NOTES:

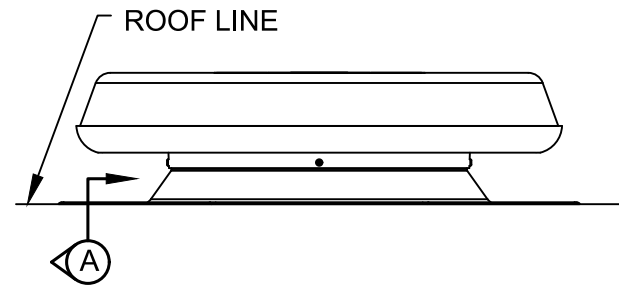
1. THE PRODUCT ANCHORAGE SHOWN HEREIN IS DESIGNED TO COMPLY WITH THE CURRENT EDITION OF THE FLORIDA BUILDING CODE (FBC) INCLUDING ITS SUPPLEMENTS AND EXCLUDING THE HIGH VELOCITY HURRICANE ZONE (HVHZ) AT THE DESIGN PRESSURES STATED HEREIN.
2. THE PRODUCT DETAILS CONTAINED HEREIN ARE BASED UPON SIGNED AND SEALED TEST REPORT 95385.01-301-44 AND ASSOCIATED LABORATORY STAMPED DRAWINGS.
3. THE PRODUCT HAS BEEN STRUCTURALLY TESTED AND FOUND TO BE IN CONFORMANCE TO THE CURRENT EDITION OF THE FLORIDA BUILDING CODE (FBC). THE DESIGN PRESSURES SHOWN IN DESIGN PRESSURE RATING TABLE ON SHEET 1 OF THIS DRAWING ARE BASED ON THE RESULTS OF TEST REPORT NO. 95385.01-301-44 TESTING TO ASTM E330-02 DIVIDED BY A FACTOR OF SAFETY OF 2.
4. PLASTIC COMPONENTS OF THE SOLATUBE SOLAR STAR ROOF VENT HAVE BEEN EVALAUTED TO THE REQUIREMENTS OF THE CURRENT EDITION OF THE FLORIDA BUILDING CODE AND ARE IN COMPLIANCE AS DOCUMENTED IN PRODUCT EVALUATION REPORT NO. 1904 BY ROBERT J. AMORUSO, P.E.
5. ADEQUACY OF THE EXISTING STRUCTURAL ROOF SHEATHING AND SUPPORTING 2X FRAMING AS A MAIN WIND FORCE RESISTING SYSTEM CAPABLE OF WITHSTANDING AND TRANSFERRING APPLIED PRODUCT LOADS TO THE FOUNDATION IS THE RESPONSIBILITY OF THE ENGINEER OR ARCHITECT OF RECORD FOR THE PROJECT OF INSTALLATION.
6. THE INSTALLATION DETAILS DESCRIBED HEREIN ARE GENERIC AND MAY NOT REFLECT ACTUAL CONDITIONS FOR A SPECIFIC SITE. IF SITE CONDITIONS CAUSE INSTALLATION TO DEVIATE FROM THE REQUIREMENTS DETAILED HEREIN, A LICENSED ENGINEER OR ARCHITECT SHALL PREPARE SITE SPECIFIC DOCUMENTS FOR USE WITH THIS DOCUMENT.
7. THE SOLAR STAR'S PRIMARY COMPONENTS ARE COMPRISED OF THE FOLLOWING MATERIALS:
 - 7.1. FLASHING AND TOP PANEL: ALUMINIZED STEEL EDSS T1-25 (TYPE 1)
 - 7.2. STANDOFF, 10 x 1 x 74: ALUMINUM 6061-T6
 - 7.3. FAN GRILL: POLYPROPYLENE
8. THIS PRODUCT EVALUATION DOCUMENT ADDRESSES THE STRUCTURAL ATTACHMENT OF THE ROOF VENT TO THE ROOF SHEATHING ONLY. PREPARATION OF THE ROOF SHEATHING AND ROOF COVERING(S) TO RECEIVE THE ROOF VENT SHALL BE PER THE MANUFACTURER'S INSTRUCTIONS.
9. INTERNAL MECHANISMS, ELECTRICAL COMPONENTS AND SOLAR COMPONENTS ARE BEYOND THE SCOPE OF THIS PRODUCT EVALUATION DOCUMENT.

INSTALLATION NOTES:

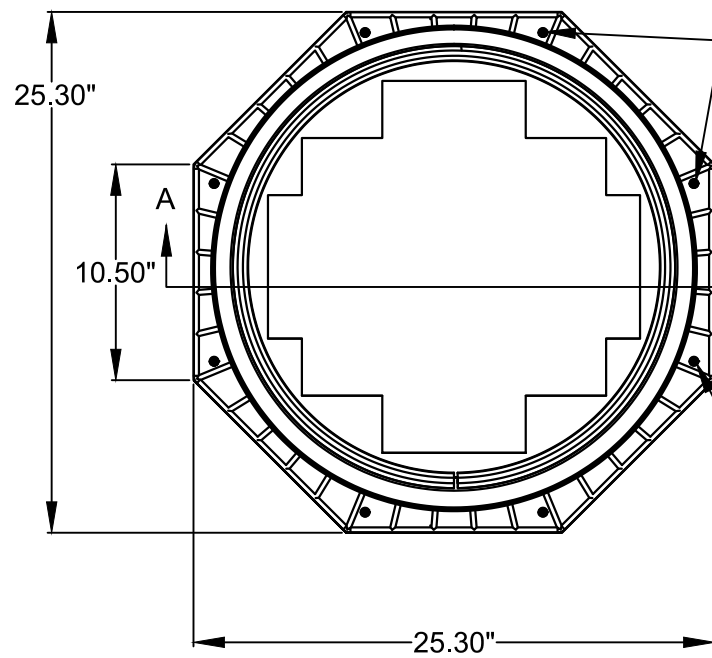
1. ONE (1) INSTALLATION ANCHOR IS REQUIRED AT EACH ANCHOR LOCATION SHOWN ON SHEETS 2 AND 3.
2. THE NUMBER OF INSTALLATION ANCHORS DEPICTED IS THE MINIMUM NUMBER OF ANCHORS TO BE USED FOR PRODUCT INSTALLATION. ALL UNITS REQUIRE EIGHT (8) ANCHORS MINIMUM LOCATED AT ALL CORNERS.
 - 2.1. SEE VENT TOP VIEW ON SHEETS 2 AND 3.
 - 2.2. FOR PLYWOOD SUBSTRATES NOT MEETING THE MATERIAL REQUIREMENTS OF NOTE 6.1 BELOW, AN ADDITIONAL EIGHT (8) ANCHORS ARE REQUIRED. THEY SHALL BE SPACED MIDSPAN BETWEEN THE EIGHT (8) CORNER ANCHORS REQUIRED FOR ALL INSTALLATIONS AND SHOWN ON SHEETS 2 AND 3.
3. FOR INSTALLATION INTO PLYWOOD/OSB ROOFING, USE NO. 10, TYPE AB, PAN HEAD, ROUND HEAD OR TRUSS HEAD CORROSION RESISTANT STEEL TAPPING SCREWS MEETING ASME/ANSI B18.6.4 OF SUFFICIENT LENGTH TO ACHIEVE FULL DEPTH OF EMBEDMENT INTO PLYWOOD/OSB SHEATHING A MINIMUM OF 7/16" INCH IN THICKNESS. EDGE DISTANCE FROM CENTERLINE OF SCREW TO EDGE OF PLYWOOD/OSB SHALL BE AT LEAST 1-1/4 INCH.
4. MINIMUM EMBEDMENT AND EDGE DISTANCE EXCLUDE ROOF FINISHES.
5. INSTALLATION ANCHORS MUST BE MADE OF CORROSION RESISTANT MATERIAL OR HAVE A CORROSION RESISTANT COATING.
6. INSTALLATION ANCHOR CAPACITIES FOR PRODUCTS HEREIN ARE BASED ON SUBSTRATE MATERIALS WITH THE FOLLOWING PROPERTIES:
 - 6.1. 7/16" THICK PLYWOOD - SPECIES GROUP 1 OR 2 (APA VOLUNTARY PRODUCT STANDARD PS 1) MINIMUM.
 - 6.1.1. FOR PLYWOOD SPECIES NOT MEETING SPECIES GROUP 1 OR 2, SEE NOTE 2.2 ABOVE FOR ADDITIONAL ANCHORAGE REQUIRMENTS.
 - 6.2. 7/16" OSB - SHEATHING GRADE (APA VOLUNTARY PRODUCT STANDARD PS 2) MINIMUM.

TABLE OF CONTENTS		
SHEET	REV.	SHEET DESCRIPTION
1	B	GENERAL AND INSTALLATION NOTES
2	B	LOW PROFILE ELEVATION, ANCHORING & SECTIONS
3	B	HIGH PROFILE ELEVATION, ANCHORING & SECTIONS

DESIGN PRESSURE RATING (PSF)	
UPLIFT	DOWNWARD
-82.5	+37.5



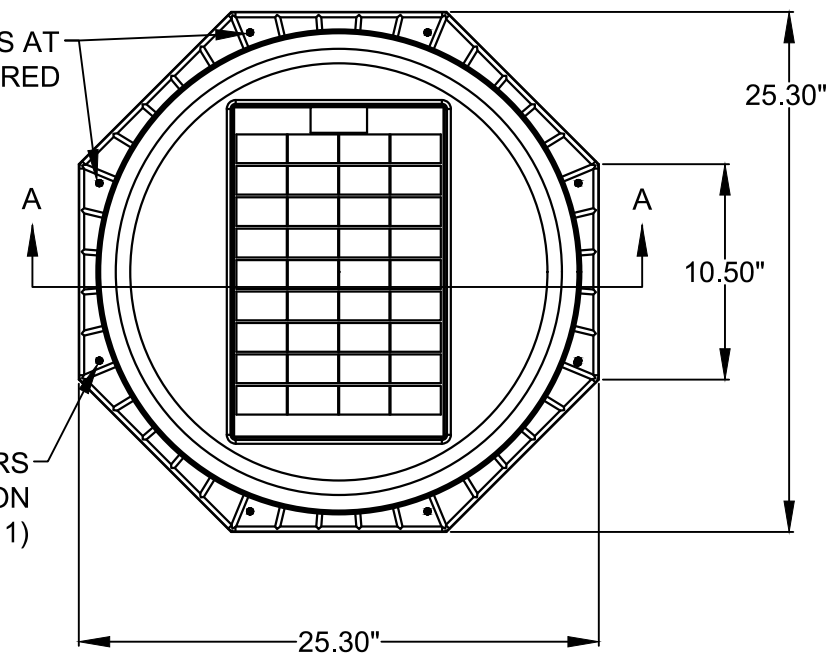
**SOLAR STAR
LOW PROFILE VENT**



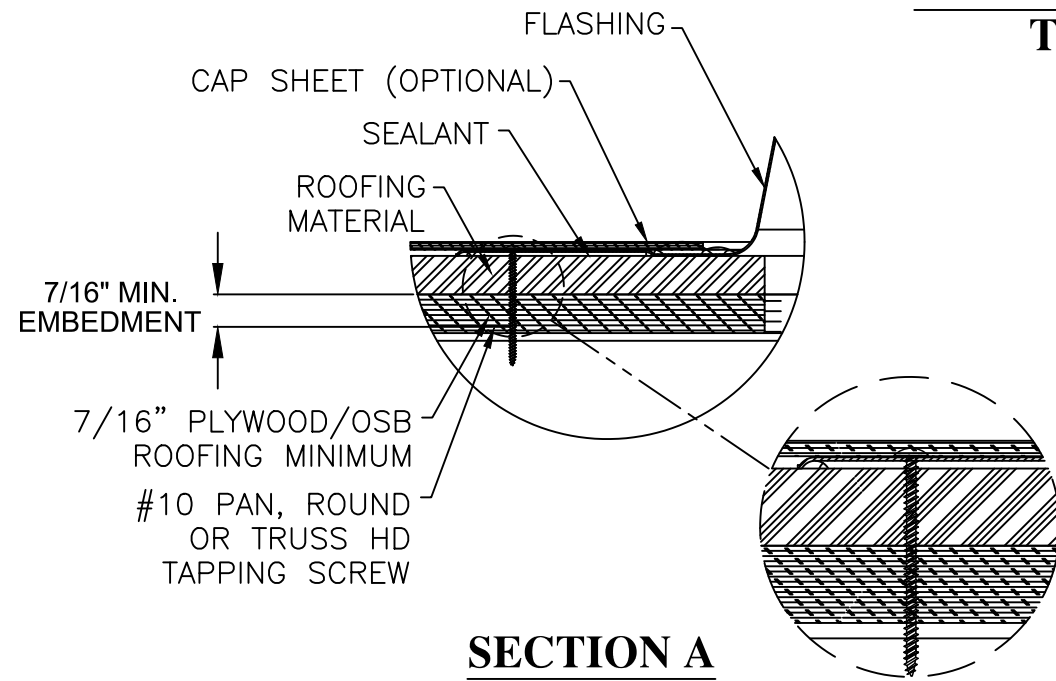
**SOLAR STAR RM-2400
LOW PROFILE VENT
TOP VIEW**

INSTALLATION ANCHORS AT
CORNERS, 8X REQUIRED

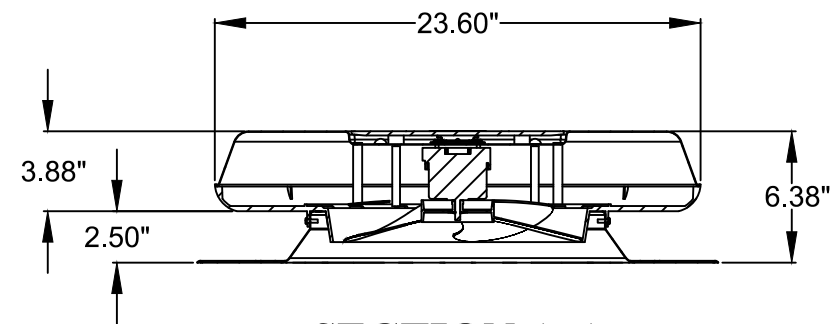
INSTALLATION ANCHORS
(SEE INSTALLATION
NOTES SHEET 1)



**SOLAR STAR RM-1500
LOW PROFILE VENT
TOP VIEW**



SECTION A



SECTION A-A

PROJECT NUMBER: 417-0905

REV	DESCRIPTION	DATE	BY
E	UPDATED TO 6TH EDITION (2017) FBC	2/6/18	RJA
D	UPDATED TO 5TH EDITION (2012) FBC	5/11/15	JBH
C	ADDED RM-1500 UNIT LOW & HIGH PROFILES	8/15/12	TJH
B	UPDATE TO 2010 FBC	02/08/12	TJH
A	ADDED HIGH PROFILE VENT & DP TABLE	08/10/11	TJH

SOLATUBE
2210 OAK RIDGE WAY
VISTA, CALIFORNIA 92081-8341

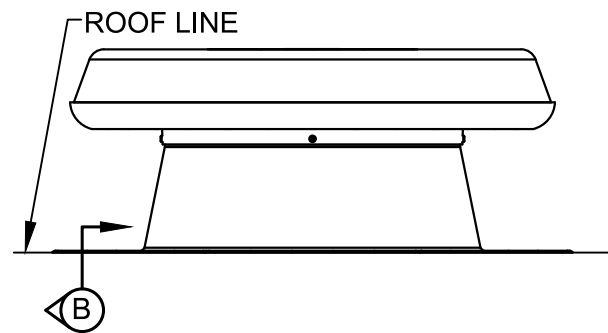
TITLE:
"SOLAR STAR" SOLAR POWERED
LOW AND HIGH PROFILE ROOF VENTS
LOW PROFILE ELEVATION, ANCHORING & SECTIONS

PREPARED BY: CB
DRAWN BY: N.T.S.
DATE: 6/11/08
DRAWING NO: SOLA0003
SCALE: N.T.S.
REV: E

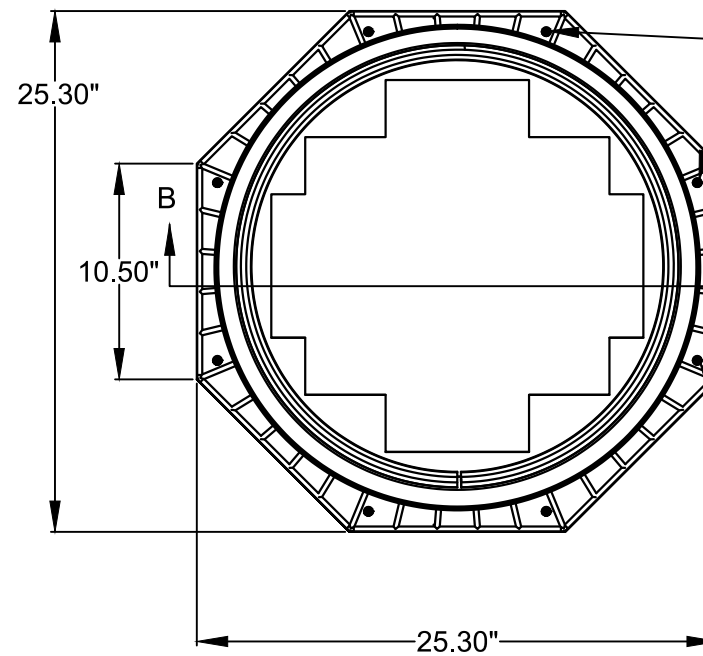
PHOTOGRAPHY:
PTC PRODUCT DESIGN GROUP, LLC
PO BOX 520775
LONGWOOD, FLORIDA 32752
Phone: 321.690.1788
Fax: 321.690.1789
Email: info@ptc-corp.com

2 OF 3

Robert J. Amoruso, P.E.
FL P.E. No. 49752



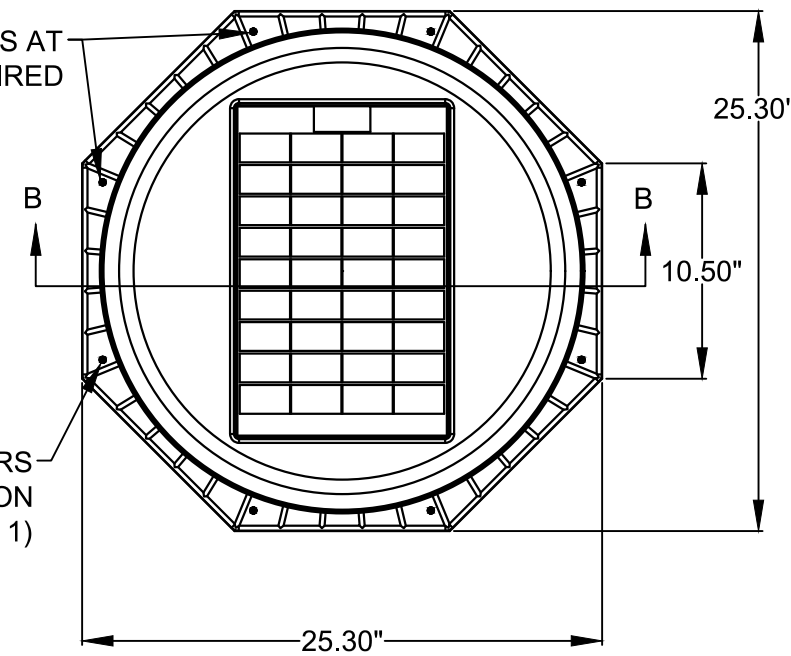
**SOLAR STAR
HIGH PROFILE VENT**



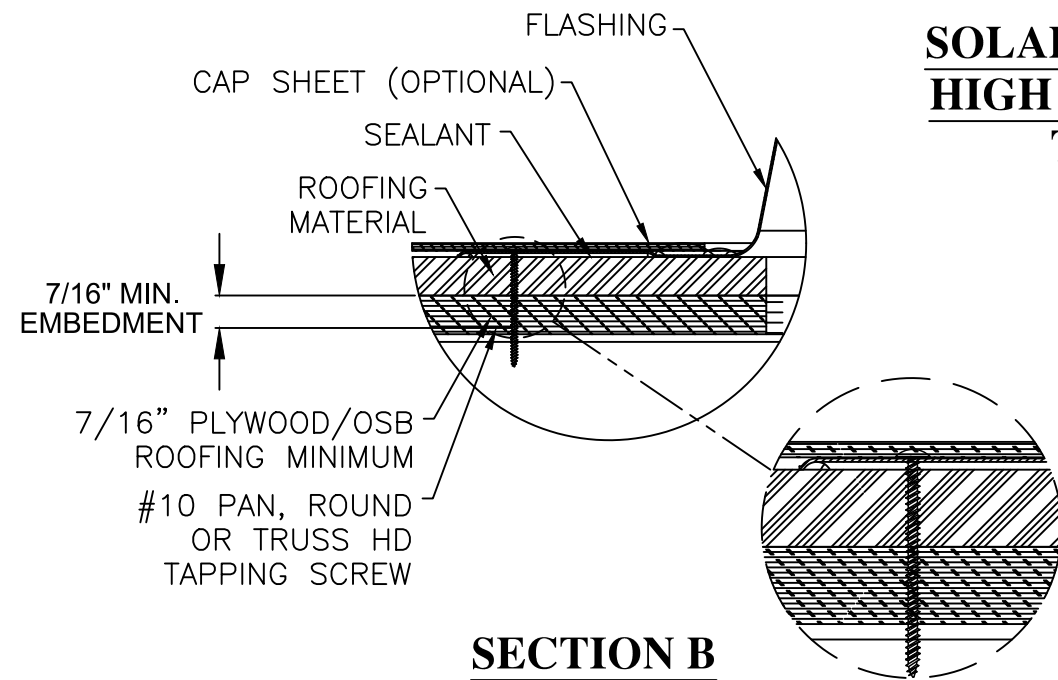
**SOLAR STAR RM-2400
HIGH PROFILE VENT
TOP VIEW**

INSTALLATION ANCHORS AT
CORNERS, 8X REQUIRED

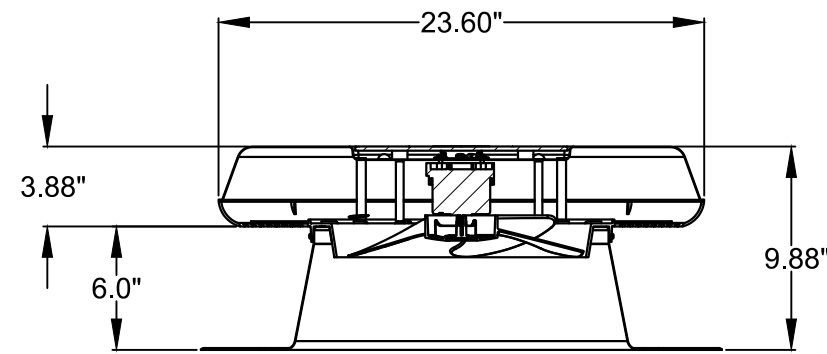
INSTALLATION ANCHORS
(SEE INSTALLATION
NOTES SHEET 1)



**SOLAR STAR RM-1500
HIGH PROFILE VENT
TOP VIEW**



SECTION B



SECTION B-B

PROJECT NUMBER: 417-0905

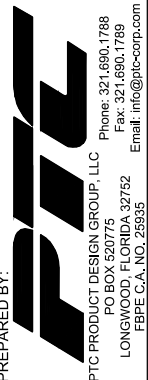
E	UPDATED TO 6TH EDITION (2017). FBC	RJA	2/6/18
D	UPDATED TO 5TH EDITION (2014). FBC	JBH	5/11/15
C	ADDED RM-1500 UNIT LOW & HIGH PROFILES	TJH	8/15/12
B	UPDATE TO 2010 FBC	TJH	02/08/12
A	ADDED HIGH PROFILE VENT & DP TABLE	TJH	08/10/11
REV	DESCRIPTION	DATE	BY

SOLATUBE

2210 OAK RIDGE WAY
VISTA, CALIFORNIA 92081-8341

TITLE: "SOLAR STAR" SOLAR POWERED
LOW AND HIGH PROFILE ROOF VENTS
HIGH PROFILE ELEVATION, ANCHORING & SECTIONS

DATE:	6/11/08
DRAWN BY:	CB
DRAWING NO.:	SOLA0003
SCALE:	N.T.S.
REV:	E
SHEET:	3 OF 3



Robert J. Amoruso, P.E.
FL P.E. No. 49752