

Official Worldwide Olympic Partner



PRELIMINARY

60 Hz

11/2008

HD Convertible Camera
AW-HE870

New 2/3" 3-CCD HD/SD Camera joins Panasonic's versatile remote camera line-up



The new AW-HE870 is a compact, cost-effective HD/SD camera that supports 1080i/720p/480i image acquisition. It offers a 2/3" CCD, 14-bit A/D, new digital signal processing and spatial offset technology. For convenience, operation and interfaces are the same current SD convertible cameras, and current Pan/tilts* and remote controllers** are compatible.

* Compatible models: AW-PH650/AW-PH400/AW-PH405/AW-PH360.

We recommend the AW-LZ17MD9A lens when using with the AW-PH360.

** Compatible models: AW-RP655/AW-RP555 as well as AW-RP400 and AW-CB400.

Models manufactured before January 2009 require upgrading. For details, please contact a sales outlet.

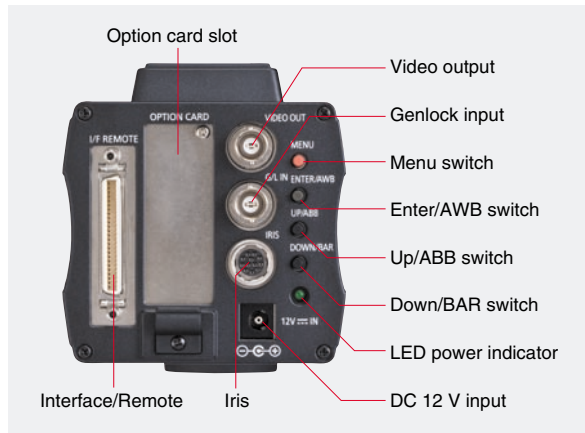
Features

- High quality 2/3 inch CCD
- 14-bit A/D converter and new DSP provide clear, sharp images
- Spatial-offset processing technology improves resolution and picture quality
- Built-in Down Converter and HD/SD switchable
- Provides HD component and SD composite output simultaneously
- HD/SD-SDI output option (AW-HHD870)
- Same operation and interface as current SD convertible camera series*. And can be interfaced with current Pan/Tilts** and controllers***.
- Video format: 1080/59.94i, 720/59.94p, 480/59.94i

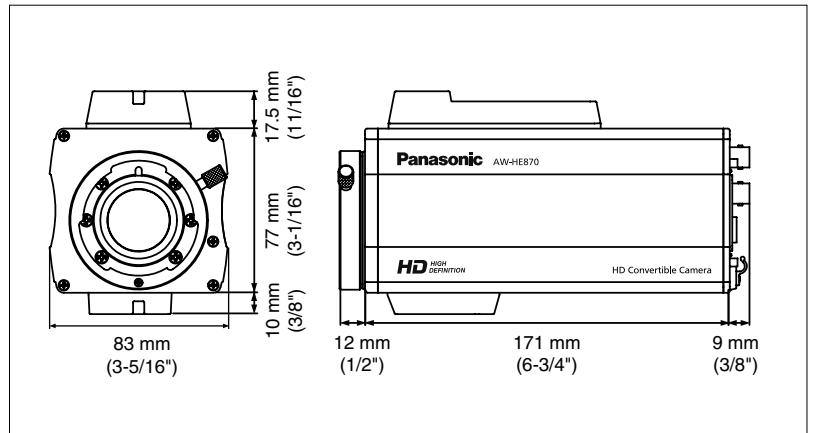


An example of a pan tilt head and lens combination
(Recommended lens: AW-LZ17MD9A)

Rear view



Dimensions



Option

SDI Card AW-HHD870

SDI card can be plugged in AW-HE870 camera and output a HD/SD-SDI signal. It has two distributed SDI outputs and a Zoom/Focus control port that can be connected with a lens cable.

Specifications

Image elements	2/3" 3CCD	Video output	Composite (BNC x 1, D-sub50pin x 1) Y/C (D-sub50pin x 1) RGB (D-sub50pin x 1) Y/Pr/Pb (D-sub50pin x 1)
Lens mount	2/3" bayonet mount		(Switchable with the menu. Y/C output may only be selected when operating in SD mode)
Video format	1080/59.94i, 720/59.94p, 480/59.94i		
White balance	AWB A/B (R/B painting), ATW 3,200K/5,600K preset	I/O connector	Composite OUT: BNC, Genlock IN: BNC (black burst), IRIS: HIROSE 12pin, DC 12 V: DC Jack, I/F REMOTE: D-sub50pin
Black balance	Auto (R/B painting)		
Color bar	SD: SMPTE HD: SMPTE	Power supply	DC 12 V
Shutter speed	1/100, 1/250, 1/500, 1/1000, 1/2000, 1/4000, 1/10000, ELC Synchro-scan (61.19 Hz to 1466 Hz)	Power consumption	18 W
		Storage temperature	-20 °C to 60 °C (-4 °F to 140 °F)
		Operating temperature	0 °C to 40 °C (32 °F to 104 °F)
Gain	0 to 18 dB (step) AGC	Weight	1.2 kg (2.6 lbs)
Iris	Auto, Manual	Dimensions (W x H x D)	83 mm x 104.5 mm x 192 mm (3-5/16" x 4-1/8" x 7-9/16")
		Standard accessories	Rubber Sheet, Screw, DC cable 1set

* The commands to support and the detail of command actions will have some differences, due to the differences in functionalities from the current cameras.

** Compatible models: AW-PH650/AW-PH400/AW-PH405/AW-PH360. We recommend the AW-LZ17MD9A lens when using with the AW-PH360.

*** Compatible models: AW-RP655/AW-RP555 as well as AW-RP400 and AW-CB400. Models manufactured before January 2009 require upgrading.

For details, please contact a sales outlet.

Panasonic®

Panasonic Broadcast & Television Systems Co.

Unit of Panasonic Corporation of North America

www.panasonic.com/broadcast

Government Sales: phone: 201-348-7587

Headquarters: 3 Panasonic Way, 4E-7, Secaucus, NJ 07094; phone: 201-348-5300

Eastern Zone: 3 Panasonic Way, 4E-7, Secaucus, NJ 07094; phone: 201-348-7196

Western Zone: 3330 Cahuenga Blvd. West, Los Angeles, CA 90068; phone: 323-436-3608

AW-JABHE87008