

Light Industrial Panel Solution

IEI light industrial market product solution provides outstanding outlook with industrial-grade quality for comprehensive light industrial markets, such as hospitality, logistics, residential automation, factory automation and digital signage.



Hospitality

- POS
- Reception
- Self-service kiosk



Public Space

- Ticket machines
- Information kiosks
- Introduction machines



Factory

- Steelworks
- Product line
- Ice factory
- Ski resort



Airport

- Self check-in
- Advertising machines
- Routing information system

Light Industrial Panel PC Product Line

AFL3 PPC



Narrow bezel, sleek outlook, easy installation

- W7" flat bezel with IP65 front protection
- Narrow and symmetric bezel allows portrait mode or landscape mode
- Less screw design for easy installation

AFL2 PPC



Flat bezel, multi-touch, wide voltage

- W7"~21.5" flat bezel with IP64 front protection
- LED dash system for eye-catching notification
- IEI Light Fanless technology allows the system to turn on/off smart fan automatically according to environmental temperature, enhancing system stability.

AFL PPC



Economical HMI device

- 5.7"~W19" multi-functional all-in-one panel PCs
- Streamlined plastic housing
- Water and dust resistance IP 64 front panel protection

Light Industrial Panel PC Selection Guide

AFL3 Panel PC

New



Platform	W7"									
Intel® Atom™ Bay Trail	AFL3-W07A-BT									

AFL2 Panel PC

Platform	W7"	8"	W10.2"	10.4"	12.1"	15"	W15.6"	17"	W18.9"	W21.5"
Intel® Atom™ N2600 / N2800	AFL2-W07A-N26	AFL2-08A-N26	AFL2-W10A-N28	AFL2-10A-N28						
Intel® Atom™ N270							AFL2-W15A-N270			
Intel® Atom™ D525					AFL2-12A-D525					
Intel® HM65					AFL2-12A-HM65					
Intel® H61						AFL2-15A-H61	AFL2-W15B-H61	AFL2-17A-H61	AFL2-W19A-H61	AFL2-W21A-H61

AFOLUX Panel PC

Platform	5.7"	W7"	8.0"	8.4"	W10.2"	10.4"	12.1"
AMD LX800	AFL-057A-LX	AFL-07A-LX	AFL-08AH-LX				AFL-12A-LX
Intel® Atom™ N270		AFL-07A-N270	AFL-F08A-N270 AFL-08B-N270	AFL-08AH-N270	AFL-W10A-N270	AFL-10A-N270	AFL-12A-N270
Intel® Atom™ N2600		AFL-W07A-N26		AFL-08A-N26		AFL-10A-N26	AFL-12A-N26
Platform	15"	W15.6"	17"	19"	W19"		
Intel® Atom™ N270	AFL-15A-N270	AFL-W15A-N270	AFL-17D-N270		AFL-W19A-N270		
Intel® HM55	AFL-15I-HM55		AFL-17I-HM55	AFL-19I-HM55			

1

IEI Mobile Solutions

2

Automation Panel Solutions

3

PACsmate Medical Solutions

4

Optional Peripherals

AFL3-W07A-BT

New

Dual-core Intel® Celeron® N2807

Features

- 7-inch HD 1024 x 600
- Flat screen with 6H projected capacitive touch supports multi-touch function
- 9V~30V wide range DC power input
- Fanless cooling system with dual-core Intel® Celeron® N2807 processor 1.58 GHz/2.16 GHz
- 2GB DDR3L Onboard RAM
- Built-in 802.11b/g/n wireless LAN
- Landscape and portrait screen modes support different applications
- Front panel is compliant with IP 65 protection standard
- IEI One Key Recovery solution allows you to create rapid OS backup and recovery (suggested with over 4 GB storage capacity)



HD High Performance Interactive System

The AFL3-W07A-BT has a 7-inch display with HD 1024 x 600 pixels and is pre-installed with a high-performance Celeron® N2807 CPU, which is a dual-core processor that comes with 1 MB L2 cache and 1.58 GHz base clock. The SoC has 2.17 GHz maximum burst frequency, which pumps up its frequency to complete tasks faster suitable for industrial computing. Benefits include:

- Support fan-less design
- Green memory: low voltage DDR3L supports up to 4 GB
- New graphic performance

The latest Intel® Atom™ processor includes a 7th generation Intel® GPU with burst technology to provide a stunning graphics and media experience. Seamless video playback is supported by a high performance and low power hardware acceleration of media encode and decode.

- 3D graphics hardware acceleration including support for DirectX*11, OCL 1.2, OGL ES Halti/2.0/1.1, OGL 3.2
- Video decode hardware acceleration including support for H.264, MPEG2, MVC, VC-1, WMV9 and VP8 formats
- Video encode hardware acceleration including support for H.264, MPEG2 and MVC formats

Double Graphics Power!

3DMark2001

*Windows 8



Intel® Atom™ Processor N2600 (1M Cache, 1.6 GHz)



Intel® Celeron® Processor N2807 (1M Cache, up to 2.16 GHz)



	AFL-W07A-N26	AFL3-W07A-BT
Core Functionality	Intel® Atom™ processor N2600 (1M cache, 1.6 GHz)	Intel® Celeron® processor N2807 (1M cache, up to 1.58 GHz)
Process Technology	32-nm	22-nm
Memory Technology	DDR3 800 up to 2GB	2GB DDR3L onboard
Touch Technology	4-wire resistive touch screen	PCAP touch screen with multi-touch function
Panel Technology	Resolution	WVGA 800 x 480
	Viewing Angles	140° / 110°
Power Requirements	9~28V DC	9~30V DC
IP Rating	IP64	IP65
Dimensions (LxW) (mm)	226 x 140	190 x 127



Enhanced Visual Experiences

1

IEIMobile Solutions

2

Automation Panel Solutions

3

PACSmart Medical Solutions

4

Optional Peripherals

2 mm Narrow Bezel for Seamless View

Nothing shows sophistication like a display with a thin bezel. The AFL3 PPC has gone one step further with a narrower bezel and will simply have audiences mesmerized by its contemporary look and feel.



Easy Assembly



There are only 2 screws needed for assembling rear cover, which make it easy to access and replace storage, RAM, and PCIe Mini card.

Compact All-in-one Unit for Easy Installation in Small Spaces

The compact slim AFL3 PPC is secured in light weight plastic housing with IP65 certified front panel. The compact size is designed for small-size operator interface applications, such as factory HMI, home automation terminal and digital signage.



Options

Item	P/N	Description
Panel mounting kit	AFL2PK-08A	
Wall mounting kit	AFLWK-12	
Rack mounting kit	AFL3RK-W07A-R10 / STAND-100-RS	
ARM	ARM-11-RS/ARM-31-RS	
Stand	STAND-B08/STAND-C12-R10	
V-stand	VSTAND-A07-R11	
DC jack to terminal block power converter cable	32002-005500-100-RS	100 mm (A) terminal block, 2P P=5.0(B) DC plug
RJ-45 to DB-9 COM port cable	32005-000200-200-RS	RS-232 D-sub 9 male to RJ-45, 300 mm
OS: Win 8 Embedded (DVD-ROM)	AFL3-W07A-BT-WE8S-R10	
OS: Win 7 Embedded (DVD-ROM)	AFL2-W07A-BT-WES7P-R10	

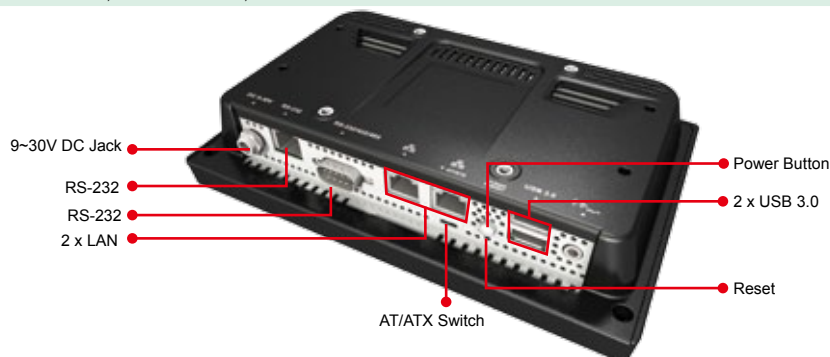
Packing List

Item	P/N	Q'ty	Description
Utility CD			
One Key Recovery CD			
Power adapter	63000-FSP036RAB610-RS		36W Power Adapter ;Input: 90VAC~264VAC, 50/60Hz; Output: 12VDC
Power cord	32702-000400-200-RS		Power cord 3P European 250 V 16 A 1.8 m

Ordering Information

Part No.	Description
AFL3-W07A-BT-N28/PC/2G-R10	7" 500 cd/m ² 1024x600 HD fanless panel PC with Intel® Celeron® N2807 dual core 1.58 GHz/2.16 GHz, 802.11b/g/n wireless module, projected capacitive touch screen, 2GB DDR3L RAM, R10

Rich I/O Interface



- 9~30V DC Jack
- RS-232
- RS-232
- 2 x LAN
- AT/ATX Switch
- Power Button
- 2 x USB 3.0
- Reset

Specifications

Model		AFL3-W07A-BT-R10
LCD	Size	7"
	Resolution	1024 x 600
	Brightness (cd/m ²)	500
	Contrast Ratio	700:1
	Pixel Pitch (mm)	0.05(H) x 0.15(V)
	Viewing Angle (H-V)	150° / 145°
	Backlight MTBF	20000 hrs (LED backlight)
Touch	Touch Screen	projected capacitive type with USB interface
	Touch Controller	EETI EXC7200
System	CPU	Intel® Celeron® N2807 dual core 1.58 GHz
	RAM	2GB DDR3L Onboard RAM
	Ethernet	Realtek RTL8111E PCIe GbE controller
	Audio Codec	Realtek ALC892 HD Audio codec
	Storage	mSATA
	Input/Output	1 x RS-232 COM port (RJ-45 connector) 1 x RS-232 COM port 2 x USB 3.0 2 x Gigabit Ethernet ports (RJ-45) 1 x Power switch 1 x Reset button 1 x AT/ATX switch 1 x Line-out 1 x 9 V-30 V lockable DC jack
Audio	AMP 2W + 2W (internal speaker)	
System Cooling	Fanless	
Wireless	IEEE 802.11b/g/n 2T2R module (WIFI-RT5392-SB-R10)	
Physical	Construction Front Bezel	PC + ABS plastic
	Mounting	Wall, Panel, Stand, Rack Mounting (VESA 75 mm x 75 mm)
	Color	Black
	Dimensions (WxHxD)(mm)	190.65 x 127 x 38.9
	Cut-out(WxH)(mm)	182 x 111
Environment	Operating Temperature (°C) (Ambient with air flow)	-10°C~45°C
	Storage Temperature (°C)	-20°C~60°C
	Humidity	10% to 95% (non-condensing)
	IP Level	IP 65 front
	Safety/EMC	CE/FCC
Power	Power Supply	P/N: 63000-FSP036RAB610-RS 36W power Adapter Input: 90VAC~264VAC, 50/60Hz Output: 12VDC
	Power Requirement	9 V~30 V DC

1

IEIMobile
Solutions

2

Automation
Panel
Solutions

3

PACSmate
Medical
Solutions

4

Optional
Peripherals

AFOLUX GEN II Panel PC

New flat bezel, multi-touch, wide voltage AFOLUX panel PC

From the heritage of affordable Luxury AFOLUX Panel PC, AFOLUX II Panel PC shows it's spirit to exceed the history. The AFOLUX II Panel PC is slim and stylish and provides two types of touch option. RFID reader, wide voltage power input are its features which make it more flexible and more powerful than ever!

Innovative product design:

- AFOLUX II flat bezel design is thinner than AFOLUX
- Projected capacitive multi-touch and resistive single touch screen options

New technology and multiple functions:

- LED dash system for eye-catching notification
- Integrated EM/ Mifare RFID reader
- Light fanless temperature management
- 9 V ~36V DC wide voltage input fits all power requirements
- IEI Light Fanless technology allows the system to turn on/off fan automatically, enhancing system stability.
- Exclusive LED Light Bar Simulation displays light signals



Rugged while Stylish

Flat Bezel Design with IP64 Protection

AFOLUX II series is designed in flat bezel panel and against dust and water, enduring flawless operation.

Flat-bezel Features:

- Better visual effects
- No edge effect
- Sleek and stylish
- Easy to clean



Enhanced touch technology – projected capacitive touch

Projected capacitive touch panel is stronger and with higher transparency than the resistive type touch panel. It also supports Windows 7 multi-touch function compatible with glove-wearing users and enhancing ease-of-use.

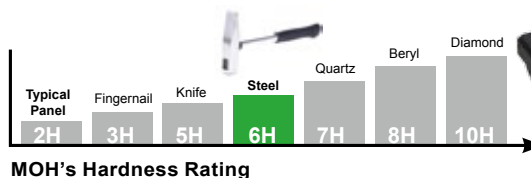
Model	AFL2-17A-H61/PC	AFL2-17A-H61/R
Type of Touch	Projected capacitive type	5-wire resistive type touch
Touch Function	Multi-touch	Single-touch
Transparency	85%	78%
Hardness	≥6H	≥3H
Input Flexibility	Hand/ glove	Hand/ glove/ stylus



Glove-friendly multi-touch

6H Anti-scratch Surface (Projected capacitive type touch screen)

Projected capacitive touch technology utilizes a durable glass front surface. 6H hardness is stronger than the conventional touch panel and therefore is able to protect the screen from damage.



1

IEI Mobile Solutions

2

Automation Panel Solutions

3

PACsmate Medical Solutions

4

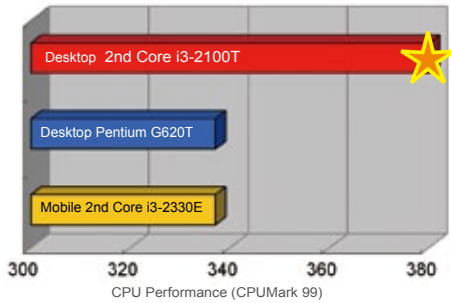
Optional Peripherals

Superior Performance

The Best C/P Value Intel® H61 Platform

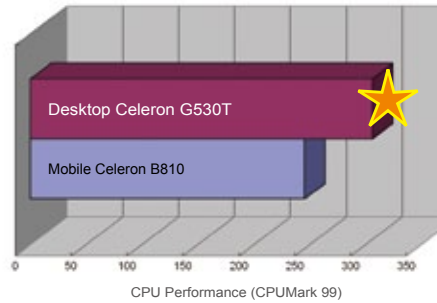
Comparing to mobile solution, Intel® H61 with desktop CPU provides low power consumption but high performance.

Mobile 2nd Core i3 V.S. Desktop Pentium & 2nd Core i3



CPU Type	Intel® 2nd Core™ i3-2330E (Mobile 35W CPU)	Intel® Pentium® G620T (Desktop 35W CPU)	Intel® 2nd Core™ i3-2100T (Desktop 35W CPU)
CPU Performance (CPUMark 99)	337	337	380

Mobile Celeron V.S. Desktop Celeron



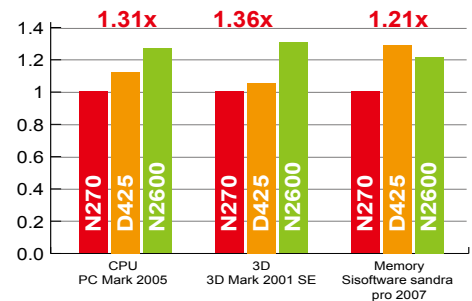
CPU Type	Intel® Celeron® B810 (Mobile 35W CPU)	Intel® Celeron® G530T (Desktop 35W CPU)
CPU Performance (CPUMark 99)	245	306

Better performance with Intel® Atom™ Cedarview dual core processor

AFOLUX II Cedarview panel PC integrates with Intel dual core processor running with DDR3 memory. With fanless system, it reduces system noise and dust accumulation.

N2600 CPU performance is 31% better than N270,
Graphics performance is 36% better than N270,
Memory performance is 21% better than N270

Intel® Atom™ processor N270 (1.6GHz)
 Intel® Atom™ processor D425 (1.8GHz)
 Intel® Atom™ processor N2600 (1.6GHz)



Secondary Display on Full HD

Latest Display Technology: HDMI

HDMI is a compact audio/video interface for transferring uncompressed digital video data and compressed/uncompressed digital audio data from an HDMI-compliant device to a compatible digital audio device, computer monitor, video projector, or digital television. HDMI is a digital replacement for existing analog video standards.

	Maximum clock rate(MHz)	Maximum total TMDS throughput(Gbit/s)	Maximum color depth (bit/px.)	Maximum resolution over single link at 24-bit/px	Dolby TrueHD bitstream capable	3D over HDMI
Version 1.0 to 1.2	165	4.95	24	1920 x 1200	No	No
Version 1.3	340	10.2	48	2560 x 1600	Yes	No
Version 1.4	340	10.2	48	2096 x 2160	Yes	Yes

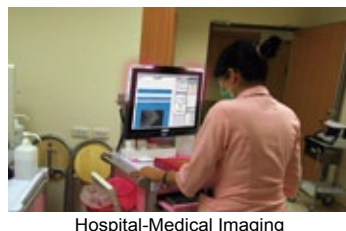
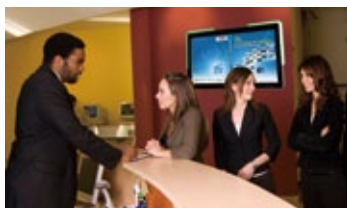


Advantages

- Backward compatible with DVI via an adapter.
- Support audio transport (v.s. DVI canonly transmit image).

Latest Display Technology: DisplayPort

It's not only used to connect a video source to a display device, but also be used to transmit audio, USB, and other forms of data. DisplayPort lets you take advantage of today's high-bandwidth content, enabling you to create a professional and powerfully compelling digital signage solution.



External connect to multiple display device



Advantages

- Backward compatible with DVI/HDMI with the adapter.
- Support multi-display: It can works with monitors, notebooks or all-in-one computers.

1

IEIMobile Solutions

2

Automation Panel Solutions

3

PACSmate Medical Solutions

4

Optional Peripherals

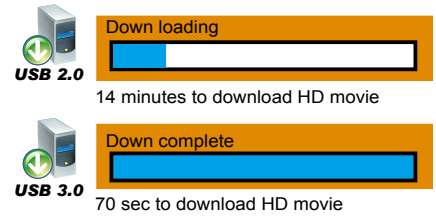
Faster Transmission

10x Faster Transmission: USB 3.0

The AFOLUX II PPC supports both USB 2.0 and USB 3.0. USB 3.0 has higher transmission speed and wider data bandwidth and supports faster transferring for the user.

Data Rate Comparison

USB version	USB1.0	USB2.0	USB3.0
Data Transfer Rate	12Mbps	480Mbps	5Gbps
Media (Data Size)	Transfer Time		
Song / Pic (4 MB)	5.3 sec	0.1 sec	0.01 sec
HD-Movie (25 GB)	9.3 hr	13.9 min	70 sec

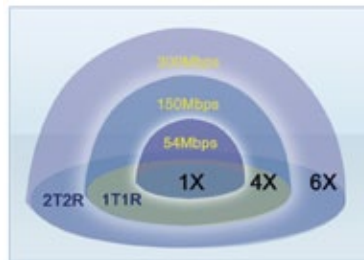


Wi-Fi 2T2R Wireless LAN

The AFOLUX II integrates a PIFA antenna and provides 802.11n 2T2R wide bandwidth wireless communication.

T: Transmitter: the number T is absolutely relative with speed, 1T up to 150Mbps, 2T up to 300Mbps

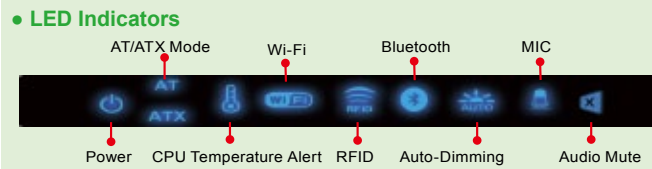
R: Receive: the number R is relative with receiving dead angle and distance. The higher R is, the wider the receiving range.



Easy to Use

LED Indicator and Function key

- Function key can be more convenient for panel PC users to operate this panel without any keyboard or mouse.
- Indicator is located in front of panel, it can tell users which function is enable or disable



- Brightness of LED indicator can be set by manual (3-step) or auto-adjust by ambient light (new function support from AFL2-xxA-N26 R11, AFL2-xxA-N28-R11, AFL2-xxA-H61 R12, AFL2-W21A-H61 R10)



Function Key

- Fn
- Backlight On/Off
- Audio -
- Audio +
- Brightness -
- Brightness +
- Fn + [RFID icon] RFID Enable/Disable
- Fn + [Speaker icon] Audio Mute
- Fn + [Camera icon] Camera Enable/Disable
- Fn + [USB icon] Front Side USB Enable/Disable
- Fn + [Power icon] Power On / Off

Mini USB 2.0 Port & microSD Card Slot on Front Panel



Mini USB 2.0

The AFOLUX GEN II new series has a mini USB 2.0 port on the front panel for easy connecting.

MicroSD card

The AFOLUX GEN II new series has a microSD slot on the front panel for easier access.

Auto-dimming Advantages



Auto-dimming Advantages

- Power Consumption Saving
- Comfortable Viewing Brightness
- Extend Product Lifetime

Auto-dimming

Automatically adjust the optimal brightness to fit the environment.



Day: Higher Ambient Luminance



Night: Lower Ambient Luminance

Flexible Design to Fit Various Scenarios

Wide Application to Extreme Circumstance

Power supply requirement varies from applications. Incorrect voltage input will damage electronic components thus cause system break down. AFOLUX GEN II offers wide voltage power input, which fits different application scenarios and increase stability of the system.



Wide Range 9~36VDC input *

Wide range DC input fits different power source depends on what circumstance needed.

Wide Range Power Input		9~ 36V DC*
Automation Central Control	Factory Manufacture Control	Truck Control (24V)

Flexible Power Mode

With the AT mode selected, the AFOLUX II turns on automatically when the power is connected. With the ATX mode, the AFOLUX II can be easily controlled via network or a power switch



AT/ATX

AT Power Mode

Applications

- Factory Automation platform
- Self-service kiosk

Advantages

- Easy to turn on/off with panel mounting
- Automatic start when power connected



System On



System Off

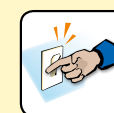
ATX Power Mode

Applications

- Security surveillance
- Advertising terminal

Advantages

- Power management
- Remote control via network advantage
- Remote control individually



System On



System Off

Complete Peripherals

Optional EM/Mifare RFID Reader



EM card reader (125KHz):

It is called an ID card and has read/write function of contactless RFID chip with low consumption and can provide various data transmission rate and data encoding.

Mifare card reader (13.56MHz):

It is called an IC card and can be used to read and save the data information to implement certain data transmission.

	100KHz	1MHz	100MHz	1GHz
		High Frequency (13.56MHz)		
	Low Frequency (125KHz)	ISO14443	ISO15693	Felica (NFC)
Data Rate	Up to 16 kbps	Up to 106 kbps Faster!	Up to 53 kbps	Up to 434 kbps
Reading Distance	0-200cm	0-10cm	0-150cm	0-10cm
Memory	R/O	48/64 bits	64 bits	64bits
	R/W	2048/1024 bits	512-4096 bits High Capacity!	Max. 2048 bits
Interfe-rence	Liquid	Low	Mid	Mid
	Metal	High	High	High
	RF	Very Low	Low	Low
Security	32-bit password	High (AB keys)	Low	High (AB Keys)

Optional Magnetic Stripe Card/ Hybrid Card Reader

IEI provides a bracket kit option for users to secure either the MSR or MSI card reader, which both accept magnetic cards.

AFLP-xxxMSR-U



Magnetic Card Reader



OSD Remote Control Advantage

Advantages

- Convenient way to control visual setting
- Control the system from a distance
- Extend Product Lifetime

1

IEIMobile Solutions

2

Automation Panel Solutions

3

PACSmate Medical Solutions

4

Optional Peripherals

IEI Light Fanless System

IEI Light Fanless System is a highly effective smart system, embedded with a smart sensor to sense the ambient temperature. It can operate quietly with high performance in various applications, such as a patient's bedside multimedia platform, gaming machines, airport kiosks etc.

Benefits

- **Power Saving**
Auto switch on/off fan can reduce redundant power consumption
- **Expanding system lifecycle**
Helping users to run system more effectively, it also enhances the lifecycle of CPU.
- **Effectively manage system environment**
User can monitor the information of the system easily
- **High performance with noiseless**
IEI supports noiseless situation to have quiet environment and high performance simultaneously.

Environment Temperature (°C)

High Performance With Light Fanless

Smart-Fan Mode

Light Fanless Mode

iCMC Setting (default: 32°C)

IEI Light Fanless Applications



Patient Bedside Entertainment System



Clean Room



Semi-outdoor Kiosk

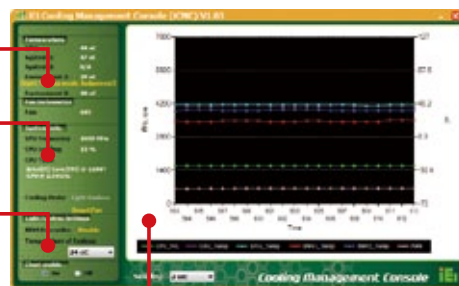
iCMC (IEI Cooling Management Console)



iCMC, IEI's exclusive software, provides reliable embedded features for system integrators. It simplifies integration for the AFOLUX II and upgrades system configuration from the BIOS level to the operating system level.



- Real-time Monitoring**
- CPU Information**
- Light Fanless Settings**



Graphical Data

LED Light Visual Management



Features

- Programmable LED RGB colors
- Signaling light display user demand
- Manual scripts for LED lighting programs
- 100% software programmable colors, light duration, and light patterns
- 30 light sections for AFL2-17A-H61, 34 light sections for AFL2-W19A-H61, 50 light sections for AFL2-W21A-H61, each light section can be configured independently.

- Function button**
- 30/34/50 light buttons**
- Access key**
- Scripts**
- Full colors**
- Display time adjustment**

Support LED Light Bar control API for the customer to suit their own software program. Light bar signal are correspond to the light button. User can customize their own light patterns for different conditions.

LED Dash Board for Visual Alert System and Status Notification



Achieving a smooth production line



Medical care alert system



Showing appealing light simulation

1

IEI Mobile Solutions

2

Automation Panel Solutions

3

PACSmate Medical Solutions

4

Optional Peripherals

AFOLUX GEN II 7"~10" Selection Guide



	Model	AFL2-W07A-N26	AFL2-08A-N26	AFL2-W10A-N28	AFL2-10A-N28
LCD Specifications	Size	Wide 7"	8"	Wide 10.2"	10.4"
	Resolution	800 (W) x 480 (H)	800 (W) x 600 (H)	1024 (W) x 600 (H)	800 (W) x 600 (H)
	Brightness (cd/m ²)	400 cd/m ²	250 cd/m ²	400 cd/m ²	400 cd/m ²
	Contrast Ratio	500:1	500:1	400:1	700:1
	LCD Color	262K/16.2M	16.2 M	262K	262K/16.2M
	Pixel Pitch (mm)	0.1905(H) x 0.1905(V)	0.2025(H) x 0.2025(V)	0.2175(H) x 0.2175(V)	0.264 (H) x 0.264 (V)
	Viewing Angle (H-V)	160°(H) / 160°(V)	140°(H) / 130°(V)	140°(H) / 120°(V)	160°(H) / 140°(V)
	Backlight MTBF	50000 hrs (LED backlight)	30000 hrs (LED backlight)	30000 hrs (LED backlight)	30000 hrs (LED backlight)
Touch	Touch Screen	5-wire resistive type with RS-232 interface		5-wire resistive type with RS-232 interface/projected capacitive touch with USB interface	5-wire resistive type with RS-232 interface
	Touch Controller	PenMount DMC9000		PenMount DMC9000/ EETI EX5404+EXC7200	PenMount DMC9000
System	CPU	Intel® Atom™ N2600 dual core 1.6 GHz CPU		Intel® Atom™ N2800 dual core 1.86 GHz CPU	
	Chipset	Intel® NM10			
	RAM	Support one 800 MHz 204-pin DDR3 SO-DIMM slot (max. 2GB) pre-installed with 2GB		Support one 1066MHz 204-pin DDR3 SO-DIMM slot (max. 4GB) pre-installed with 2GB	
	Ethernet	Realtek RTL8111E PCIe GbE controller supporting ASF 2.0			
	Audio Codec	Realtek ALC892 HD Audio codec			
	Storage	mSATA		2.5" SATA 2.0 HDD bay	
	Input / Output	1 × RS-232 COM Port (DB-9) 1 × PS-422/485 COM Port (RJ-11) 1 × GbE LAN (RJ-45) 2 × USB 2.0 2 × USB 3.0 1 × Audio jack 1 × Display port	1 × Mini USB 2.0 port on front panel 1 × MicroSD card slot on front panel 1 × Power switch 1 × AT/ATX switch 1 × Reset button 1 × Clear CMOS button 1 × DC input jack	1 × RS-232 COM Port (DB-9) 1 × RS-232 COM Port (RJ-45) 1 × RS-422/485 COM Port (RJ-45) 1 × GbE LAN (RJ-45) 2 × USB 2.0 2 × USB 3.0 1 × Audio jack 1 × Display port	1 × Mini USB 2.0 port on front panel 1 × MicroSD card slot on front panel Power switch 1 × AT/ATX switch 1 × Reset button 1 × Clear CMOS button 1 × DC input jack
	Audio	AMP 0.8 W + 0.8 W		AMP 1.5 W + 1.5 W	
	Camera	2M pixels with low light function		2M pixels with low light function	
	Other Features	RFID Reader	EM 125 KHz or Mifare 13.56 MHz card reader (optional)		
MSR Card Reader		MSR card reader (optional)			
OSD Function		LCD on/off, brightness up/down, volume up/down, hotkey			
Ambient Light Sensor		Yes			
Infrared Remote Controller		Yes			
System Cooling		Fanless			
Connectivity	Wireless	IEEE 802.11b/g/n 2T2R module (WIFI-RT5392-SB-R10) Telec certified			
	Bluetooth	Bluetooth V2.0+EDR with USB interface (optional)			
Physical	Construction Front Panel	PC + ABS plastic front frame			
	Mounting	Wall, Panel, Stand, RACK Mounting and VESA 75 mm x 75mm			
	Color	Black			
	Dimensions (mm)	208 (W) x 158.5 (H) x 45.9 (D)	215 (W) x 188 (H) x 46 (D)	280 (W) x 198 (H) x 51(D)	282.5 (W) x 242.7 (H) x 51 (D)
	Weight (N/G)	1.12 kg / 2.08 kg	1.43 kg / 2.2 kg	2.5 kg / 4.02 kg	2.98 kg / 4.5 kg
Environment	Operating Temperature (°C) (Ambient with air flow)	-20°C ~ 40°C		-20°C ~ 45°C	
	Storage Temperature (°C)	-20°C ~ 60°C			
	Humidity	10% to 95% (non-condensing)			
	IP Level	Front panel IP 64			
	Safety&EMC	CE / FCC			
Power	Power Supply	40W adapter Input: 90VAC~264VAC, 50/60 Hz, Output: 12VDC		60W power adapter, Input: 90VAC~264VAC, 50/60 Hz, Output: 12VDC	
	Power Requirement	9 ~ 36 VDC			
	Power Consumption	12V@2.27A (Intel® Atom™ N2600 CPU with 2GB DDR3 memory)	12V@2.27A (Intel® Atom™ N2600 CPU with 2GB DDR3 memory)	12V@2.35A (Intel® Atom™ N2800 CPU with 2GB DDR3 memory)	12V@2.75A (Intel® Atom™ N2800 CPU with 2GB DDR3 memory)

1

IEIMobile Solutions

2

Automation Panel Solutions

3

PACSmate Medical Solutions

4

Optional Peripherals

AFOLUX GEN II 12.1"~W15" Selection Guide



Model	AFL2-12A-D525	AFL2-12A-HM65	AFL2-W15A-N270	AFL2-15A-H61	AFL2-W15B-H61	
LCD Specifications	Size	12.1"		Wide 15.6" TFT LCD	15" (4:3)	W15.6" (16:9)
	Resolution	1024 (W) x 768 (H)		1366 (W) x 768 (H)	1024 (W) x 768 (H)	1366 (W) x 768 (H)
	Brightness (cd/m ²)	600		300	400	300
	Contrast Ratio	700:1		500:1	700:1	500:1
	LCD Color	16.2 M		16.7 M	262K/16.2M	16.7M
	Pixel Pitch (mm)	0.240 (H) x 0.240 (V)		0.252 (H) x 0.252 (V)	0.297 (H) x 0.297 (V)	0.252 (H) x 0.252 (V)
	Viewing Angle (H-V)	160° / 140°		170° / 160°	160° / 140°	170° / 160°
	Backlight MTBF	50000 hrs (LED backlight)		50,000 (LED backlight)	50,000 hrs (LED backlight)	50,000 hrs (LED backlight)
Touch	Touch Screen	5-wire resistive type with RS-232 interface / projected capacitive type with USB interface				
	Touch Controller	PenMount DMC9000 (Resistive type) / EETI EXC7200 & EXC5400 (Projected capacitive type)				
System	CPU	Intel® Atom™ D525 1.8GHz dual core processor	2nd Generation Intel® Core™ i7/i5/i3 and Celeron® processor	Intel® Atom™ processor N270 1.6 GHz CPU	2nd/3rd Generation Intel® Core™ i7/i5/i3 and Pentium® processors	2nd/3rd Generation of Intel®Core™ i7/i5/i3 and Pentium® processors
	Chipset	Intel® ICH8M	Intel® HM65	Intel® 945GSE + ICH7M	Intel® H61	Intel® H61
	RAM	Support one 204-pin DDR3 SO-DIMM slot (max. 4GB)		Support one 400 MHz or 533 MHz DDR2 SO-DIMM (max. 2GB)	Support two 204-pin DDR3 SO-DIMM slot (max. 16GB) preinstalled with 4GB (2GB x 2)	Support two 204-pin DDR3 SO-DIMM slot (system Max. 16GB)
	Ethernet	Realtek RTL8111E PCIe GbE controller supports ASF 2.0				
	Audio Codec	Realtek ALC888 HD Audio codec				Realtek ALC892 HD Audio codec
	Storage	CF Type II socket 2.5" SATA 3Gb/s SSD bay mSATA	2.5" SATA 6Gb/s SSD bay mSATA	CF Type II 1 x 2.5" SATA HDD Bay	CF Type II 2.5" SATA 3Gb/s HDD bay	CF Type II socket
	Input / Output	1 x RS-232 (DB-9 connector) 1 x RS-232 (RJ-45 connector) 1 x RS-422/485 (4-pin box header) 2 x GbE LAN (RJ-45 connector) 4 x USB 2.0 1 x Mini USB 2.0 port on front panel 1 x Audio jack (line-out) 1 x VGA port (DB-15 connector) 1 x MicroSD card slot on front panel 1 x Power switch 1 x AT/ATX switch 1 x Reset button 1 x Clear CMOS button 1 x 9 ~ 36V DC jack	1 x RS-232 (DB-9 connector) 1 x RS-232 (RJ-45 connector) 1 x RS-422/485 (4-pin box header) 1 x GbE LAN (RJ-45 connector) 2 x USB 2.0 2 x USB 3.0 1 x Mini USB 2.0 port on front panel 1 x Audio jack (line-out) 1 x HDMI port 1 x MicroSD card slot on front panel 1 x Power switch 1 x AT/ATX switch 1 x Reset button 1 x Clear CMOS button 1 x 9 ~ 36V DC jack	1 x RS-232 COM port 1 x RS-232/422/485 COM port 1 x RJ-45 for GbE LAN 2 x USB 2.0 1 x Power switch 1 x Reset button 1 x Audio port (Line out) 1 x VGA 1 x Power jack 1 x External SATA 1 x 8-bit digital I/O, 4-bit input/4-bit output (optional)	2 x RS-232 (DB-9 connector) 1 x GbE LAN (RJ-45 connector) on left side 1 x RS-422/485 (RJ-45 connector) 1 x Type K 3 x USB 2.0 (two on the bottom, one on the left) 2 x USB 3.0 1 x Mini USB port on front panel 1 x MicroSD card slot on front panel 1 x Line out, MIC on left side 1 x VGA port 1 x HDMI port 1 x Power switch 1 x AT/ATX switch 1 x Reset button 1 x Clear CMOS button 1 x 9 ~ 36V DC jack	
	Audio	AMP 3W + 3W (internal speaker)		AMP 1.5 W + 1.5 W (internal speaker)	AMP 2W + 2W (internal speaker)	AMP 2W + 2W (internal speaker)
	Camera	1.3 megapixels with low light function		2 M pixels with low light function	2 M pixels with low light function	2 M pixels with low light function
	RFID Reader	EM 125 KHz or Mifare 13.56 MHz card reader (optional)				
MSR Card Reader	MSR card reader (optional)					
OSD Function	LCD on/off, brightness up/down, volume up/down, Hot Key					
Ambient Light Sensor	Yes					
Infrared Remote Controller	Yes					
System Cooling	Fanless	Smart fan	Fanless	Light Fanless	Light Fanless	
Connectivity	Wireless	IEEE 802.11b/g/n 2T2R module (WIFI-RT5392-SB-R10) Telec certified		IEEE 802.11b/g/n 2T2R module (WIFI-RT5392-SB-R10)Telec certified	IEEE 802.11b/g/n 2T2R module (WIFI-RT5392-SB-R10)Telec certified	
	Bluetooth	Bluetooth V2.0+EDR with USB interface (optional)		N/A	Bluetooth V2.0+EDR with USB interface (optional)	
Physical	Construction Front Panel	PC + ABS Plastic		PC + ABS plastic	PC + ABS Plastic	PC + ABS Plastic
	Mounting	Panel, Wall, Rack, Stand and Arm VESA 100 mm x 100 mm				
	Color	Black				
	Dimensions (WxHxD) (mm)	310 x 265 x 52.6		400 x 267 x 54	363.2 x 305.1 x 58.8	399.4 x 271.2 x 58.8
Environment	Weight (N/G)	3.2 kg / 5.5 kg	3.8 kg / 6.1 kg	3.8 kg	5.2 kg / 7.3 kg	4.5 kg / 6.5 Kg
	Operating Temperature (°C) (Ambient with air flow)	-20°C ~ 50°C	-20°C ~ 50°C with SSD	-10°C ~ 50°C	-20°C ~ 50°C	-20°C ~ 50°C
	Storage Temperature (°C)	-20°C ~ 60°C	-20°C ~ 60°C	-20°C ~ 60°C	-20°C ~ 60°C	-20°C ~ 50°C
	Humidity	10% to 95% (non-condensing)				
	IP Level	IP 64 compliant front panel				
	Safety&EMC	CE / FCC				
Power	Power Supply	60W power adapter Input: 100VAC~240VAC, 50/60 Hz Output: 19VDC	90W power adapter Input: 100VAC~240VAC, 50/60Hz Output: 19VDC	60W power adapter Input: 90VAC~264VAC, 50/60 Hz Output: 12VDC	90W power adapter Input:100 V AC ~ 240 V AC, 50 / 60Hz, Output: 19 V DC	90W power adapter Input:100 V AC ~ 240 V AC, 50 / 60Hz, Output: 19 V DC
	Power Requirement	9 ~ 36 VDC		12 VDC	9~36 VDC	9 ~ 36 VDC
	Power Consumption	19V@2.2A (Intel® Atom™ D525 CPU with 800MHz 2GB DDR3 memory)	19V@2.68A (Intel® Core™ i5-2510E processor with 4GB DDR3 memory)	12V@4.25A (Intel® Atom™ N270 CPU with 667MHz 2GB DDR2 memory)	19V@3.42A (Intel® Core™ i3-2100T CPU with 4GB 1333 Mhz DDR3 memory)	19V@3.95A (Intel® Core™ i3-2120 CPU with 4GB 1333 Mhz DDR3 memory)

1
IEI Mobile Solutions

2
Automation Panel Solutions

3
PACsmate Medical Solutions

4
Optional Peripherals

AFOLUX GEN II 17"~21.5" Selection Guide



Model	AFL2-17A-H61	IBS-19A	AFL2-W19A-H61	AFL2-W21A-H61	
LCD Specifications	Size	17" (4:3)	19"	W18.9" (16:10)	W21.5" (16:9)
	Resolution	1280 (W) x 1024 (H)	1280 x 1024	1440 (W) X 900 (H)	1920(W) x 1080(H)
	Brightness (cd/m ²)	350	300	250	250
	Contrast Ratio	1000:1	2000:1	1000:1	1000 : 1
	LCD Color	16.7M	16.7M	16.7M	16.7M
	Pixel Pitch (mm)	0.264 (H) x 0.264 (V)	0.294mm x 0.294mm	0.2835 (H) x 0.2835 (V)	0.248mm x 0.248mm
	Viewing Angle (H-V)	170° / 160°	178° / 178°	170° / 160°	165° / 165°
	Backlight MTBF	50,000 (LED backlight)	50,000	30,000 (LED backlight)	30,000 (LED backlight)
Touch	Touch Screen	5-wire resistive type with RS-232 interface / projected capacitive type with USB interface			Projected capacitive type with USB interface
	Touch Controller	PenMount DMC9000 (Resistive Type) / EETI EXC7200 & EXC5404 (Projected capacitive type)			EETI EXC7200 & EXC5404
System	CPU	2nd/3rd Generation of Intel®Core™ i7/i5/i3 and Pentium® processors			2nd/3rd Generation of Intel®Core™ i7/i5/i3 and Pentium® processors
	Chipset	Intel® H61			
	RAM	Support two 204-pin DDR3 SO-DIMM slot (system Max. 16GB)			Support two 204-pin DDR3 SO-DIMM slots (System Max. 16GB)
	Ethernet	Realtek RTL8111E PCIe GbE controller supporting ASF 2.0			
	Audio Codec	Realtek ALC892 HD Audio codec			
	Storage	2.5" SATA 3Gb/s HDD bay			
	CD-ROM	1 x Slim Type CD-ROM bay			
	Input / Output	2 x RS-232 (DB-9 connector) 1 x RS-422/485 (DB-9 connector) 2 x GbE LAN (one on the bottom, one on the left) 2 x USB 3.0 3 x USB 2.0 (two on the bottom, one on the left) 1 x Mini USB port on front panel 1 x MicroSD card slot on front panel	1 x External power switch connector 1 x RS-422/485 1 x USB 2.0 1 x GbE LAN RJ-45 1 x RS-232 2 x RJ-45 GbE LAN 1 x HDMI 2 x USB 2.0 1 x Mic-in 1 x Line-out 1 x AT/ATX Switch 1 x Reset Button	1 x Line-out, Mic (on the left) 1 x VGA port (DB-15 connector) 1 x Type K 1 x HDMI port 1 x Power switch 1 x AT/ATX switch 1 x Reset button 1 x Clear CMOS button 1 x 9 ~ 36V DC input jack	2 x RS-232 (DB-9 Connector) 1 x RS-422/485 COM Port (DB-9 connector) 2 x GbE LAN (RJ-45 connector) 3 x USB 2.0 2 x USB 3.0 1 x HDMI on bottom side 1 x Line out/MIC on left side 1 x VGA port (DB-15 Connector) 1 x Power switch 1 x Reset button 1 x AT/ATX switch 1 x Clear CMOS button 1 x Type K 1 x 9~36V DC jack
	Expansion Interface	1 x PCIe Mini slot reserved			
	Audio	AMP 2W + 2W (internal speaker)			AMP 3W + 3W (internal speaker)
Other Features	Camera	2 M pixels with low light function			
	RFID Reader	EM 125 KHz or Mifare 13.56 MHz card reader (optional)	Mifare 13.56 MHz card reader (optional)	EM 125 KHz or Mifare 13.56 MHz card reader (optional)	EM 125 KHz or Mifare 13.56 MHz card reader (optional)
	MSR Card Reader	MSR card reader (optional)	IC card reader	MSR card reader (optional)	MSR card reader (optional)
	TPM	Reserved by pin-header			
	OSD Function	LCD on/off, brightness up/down, volume up/down, Hot Key			
	Ambient Light Sensor	Yes			
	Infrared Remote Controller	Yes			
	LED Light Bar	Yes			
Connectivity	Wireless	IEEE 802.11b/g/n 2T2R module (WIFI-RT5392-SB-R10)Telec certified	IEEE 802.11a/b/g/n 3T3R moduleTelec certified	IEEE 802.11b/g/n 2T2R module (WIFI-RT5392-SB-R10)Telec certified	IEEE 802.11b/g/n 2T2R module (WIFI-RT5392-SB-R10)Telec certified
	Bluetooth	PC + ABS Plastic	N/A	PC + ABS Plastic	PC + ABS Plastic
	Construction Front Panel	PC + ABS Plastic	Anti-bacteria plastic front frame	PC + ABS Plastic	PC + ABS Plastic
Physical	Mounting	Panel, Wall, Rack, Stand, Arm VESA 100mm x 100mm	Wall, Stand and Arm VESA 100mm x 100mm	Panel, Wall, Stand, Arm VESA 100mm x 100mm	Wall, Panel, Stand and VESA 100 mm x 100mm
	Color	Black	white (RAL 9016)	Black	Black
	Dimensions (WxHxD) (mm)	418 x 378 x 65	466 x 428 x 65	488 x 361 x 65	547 x 346 x 71, withLED Light Bar
	Weight (N/G)	6.9 kg / 9.0 kg	7.28 kg	7.3 kg / 10 Kg	7.3 Kg / 9.4 Kg (with LED Light Bar)
Environment	Operating Temperature (°C)(Ambient with air flow)	-20°C ~ 40°C	0°C ~ 40°C	-20°C ~ 50°C	-10°C ~ 50°C
	Storage Temperature (°C)	-20°C ~ 60°C			
	Humidity	10% to 95% (non-condensing)			
	IP Level	IP 64 compliant front panel			
	Safety&EMC	CE / FCC			
Power	Power Supply	120W power adapter Input:100 V AC ~ 240 V AC, 50 / 60Hz, Output: 19 V DC	120W power adapter Input:90 V AC ~ 264 V AC, Output: 19 V DC	120W power adapter Input:100 V AC ~ 240 V AC, 50 / 60Hz, Output: 19 V DC	120W power adapter Input:100 V AC ~ 240 V AC, 50 / 60Hz, Output: 19 V DC
	Power Requirement	9 ~ 36 VDC 19V@5.3A	9 ~ 28 VDC 19V@5.11A	9 ~ 36 VDC 19V@5.58A	9 ~ 36 VDC 19V@3.82A
	Power Consumption	(Intel® Core™ i3-2100T CPU with 4GB 1333 Mhz 4GB DDR3 memory)	(Intel® Core™ i3-2120T processor with 2GB DDR3 memory)	(Intel® Core™ i3-2100T CPU with 4GB 1333 Mhz 4GB DDR3 memory)	(Intel® Core™ i3-2120T processor with 4GB DDR3 memory)

1
IEIMobile Solutions

2
Automation Panel Solutions

3
PACSmate Medical Solutions

4
Optional Peripherals

AFL2-W07A-N26

Intel® Atom™ N2600 Dual Core Processor

AFL2-08A-N26

Intel® Atom™ N2600 Dual Core Processor



AFL2-W07A-N26

Features

- Flat-bezel LCD with LED backlight
- Intel® Atom™ N2600 dual core 1.6 GHz processor
- One 800 MHz 204-pin DDR3 SO-DIMM slot (system max. 2GB) pre-installed with 2GB
- 5-wire resistive type touch screen supported
- Wi-Fi 802.11b/g/n 2T2R high speed wireless
- Built-in EM or Mifare RFID reader (optional)
- IP64 compliant front panel
- Auto dimming control



Specifications

	Model	AFL2-W07A-N26	AFL2-08A-N26	
LCD Specifications	Size	Wide 7"	8"	
	Resolution	800 (W) x 480 (H)	800 (W) x 600 (H)	
	Brightness (cd/m ²)	400 cd/m ²	350 cd/m ²	
	Contrast Ratio	500:1	500:1	
	LCD Color	262K/16.2M	16.2 M	
	Pixel Pitch (mm)	0.1905 (H) x 0.1905 (V)	0.2025 (H) x 0.2025 (V)	
	Viewing Angle (H-V)	160°(H) / 160°(V)	140°(H) / 130°(V)	
	Backlight MTBF	50000 hrs (LED backlight)	30000 hrs (LED backlight)	
Touch	Touch Screen	5-wire resistive type with RS-232 interface		
	Touch Controller	PenMount DMC9000		
System	CPU	Intel® Atom™ N2600 dual core 1.6 GHz CPU		
	Chipset	Intel® NM10		
	RAM	Support one 800 MHz 204-pin DDR3 SO-DIMM slot (max. 2GB) pre-installed with 2GB		
	Ethernet	Realtek RTL8111E PCIe GbE controller supporting ASF 2.0		
	Audio Codec	Realtek ALC892 HD Audio codec		
	Storage	mSATA		
	Input / Output		1 × RS-232 COM Port (DB-9) 1 × RS-422/485 COM Port (RJ-11) 1 × GbE LAN (RJ-45)	1 × Mini USB 2.0 port on front panel 1 × MicroSD card slot on front panel 1 × Power switch
			2 × USB 2.0 2 × USB 3.0 1 × Audio jack 1 × Display port	1 × AT/ATX switch 1 × Reset button 1 × Clear CMOS button 1 × DC input jack
		Audio	AMP 0.8 W + 0.8 W	
		Camera	2megapixel with low light function	
Microphone		Digital Microphone		
Other Features	RFID Reader	EM 125 KHz or Mifare 13.56 MHz card reader (optional)		
	MSR Card Reader	MSR card reader (optional)		
	OSD Function	LCD on/off, brightness up/down, volume up/down, hotkey		
	Ambient Light Sensor	Yes		
	Infrared Remote Controller	Yes		
System Cooling	Fanless			
Connectivity	Wireless	IEEE 802.11b/g/n 2T2R module (WIFI-RT5392-SB-R10) Telec certified		
	Bluetooth	Bluetooth V2.0+EDR with USB interface (optional)		
Physical	Construction Front Panel	PC + ABS plastic front frame		
	Mounting	Wall, Panel, Stand, RACK Mounting and VESA 75 mm x 75mm		
	Color	Black		
	Dimensions (WxHxD)(mm)	208 x 158.5 x 45.9	215 x 188 x 46	
	Weight (N/G)	1.12 kg / 2.08 kg	1.43 kg / 2.2 kg	
Environment	Operating Temperature (°C) (Ambient with air flow)	-20°C ~ 40°C		
	Storage Temperature (°C)	-20°C ~ 60°C		
	Humidity	10% to 95% (non-condensing)		
	IP Level	IP 64 compliant front panel		
	Safety&EMC	CE / FCC		
Power	Power Supply	40W power adapter Input: 90VAC~264VAC, 50/60 Hz, Output: 12VDC		
	Power Requirement	9 ~ 36 VDC		
	Power Consumption	12V@2.27A (Intel® Atom™ N2600 CPU with 2GB DDR3 memory)	12V@2.27A (Intel® Atom™ N2600 CPU with 2GB DDR3 memory)	

1

IEI Mobile Solutions

2

Automation Panel Solutions

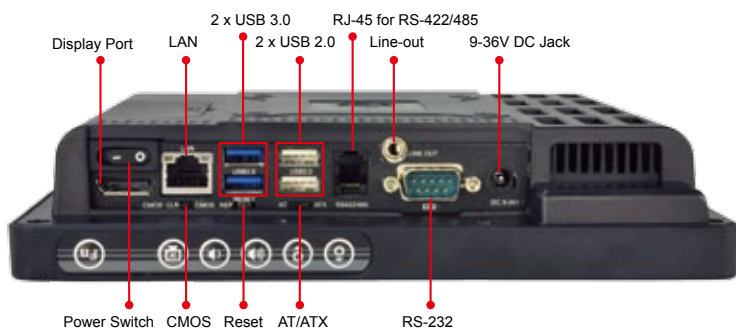
3

PACsmate Medical Solutions

4

Optional Peripherals

Rich I/O Interface



- Fn**
- Backlight On/Off**
- Audio -**
- Audio +**
- Brightness -**
- Brightness +**
- Fn + [RFID Icon] RFID Enable/Disable**
- Fn + [Mute Icon] Audio Mute**
- Fn + [Camera Icon] Camera Enable/Disable**
- Fn + [USB Icon] Front Side USB Enable/Disable**
- Fn + [Power Icon] Power On / Off**

1 x Mini USB port
1 x MicroSD card slot



AFL2-08A-N26

Options

Item	AFL2-W07A-N26	AFL2-08A-N26
Panel Mounting Kit		AFL2PK-08A
Wall Mounting Kit		AFLWK-12
Rack Mounting Kit	AFL2RK-W07A	AFL2RK-08A
Stand	STAND-B08/STAND-C12-R10 / STAND-100-RS	
V-stand	VSTAND-A07-R11	
Magnetic stripe reader	AFL2P-08AMSR-U-R10	
Bluetooth Module Kit	AFL2-BT-KIT01-R11	
EM RFID Reader	AFL2-EM-RFID-KIT01-R10	
Mifare RFID Reader	AFL2-MF-RFID-KIT01-R11	
OS: Win XPE (CD-ROM)	AFL2-W07A-CV-XPE-R10	
OS: Win 7 Embedded (DVD-ROM)	AFL2-W07A-CV-WES7E-R10 (for Resistive Touch)	

1

IEIMobile Solutions

Packing List

Item	P/N	Q'ty	Description
Utility CD	7B000-000889-RS	1	drivers and user manual
One Key Recovery CD		1	
Power adapter	63000-FSP040DGAA1106-RS	1	90VAC~264VAC, 50/60 Hz, Output: 12VDC,40W (Meet PSE)
Power cord	32000-000002-RS	1	European standard, 1830mm
RJ-11 to DB-9 COM port cable		1	
IR remote controller	7Z000-SLPCB001-RS	1	
Pen	43125-0002C0-00-RS	1	For Resistive Touch

2

Automation Panel Solutions

3

PACSmate Medical Solutions

4

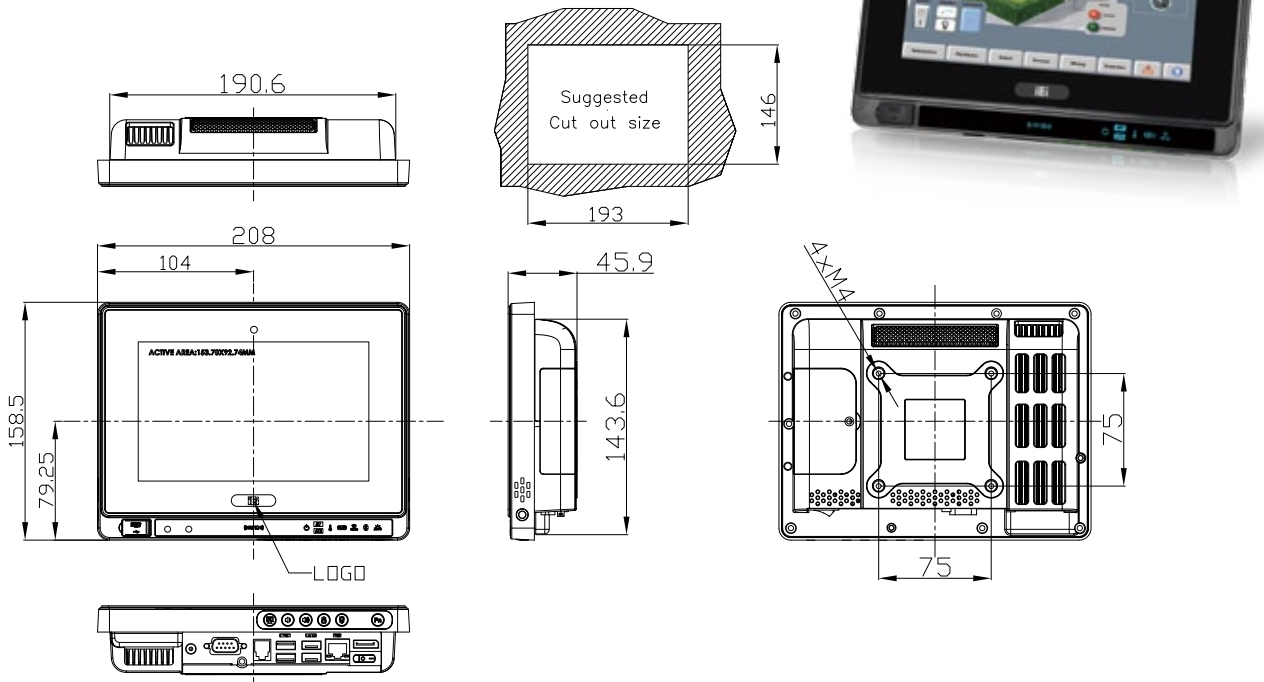
Optional Peripherals

Ordering Information

Part No.	Description
AFL2-W07A-N26/R/2G-R11	7" 400 cd/m ² WVGA fanless panel PC with Intel® Atom™ N2600 dual core 1.6GHz, 802.11b/g/n wireless module, resistive touch screen, microphone, 2megapixel webcam, 2GB DDR3 RAM, R11
AFL2-08A-N26/R/2G-R11	8" 350 cd/m ² SVGA fanless panel PC with Intel® Atom™ N2600 dual core 1.6GHz, 802.11b/g/n wireless module, resistive touch screen, microphone, 2megapixel webcam, 2GB DDR3 RAM, R11

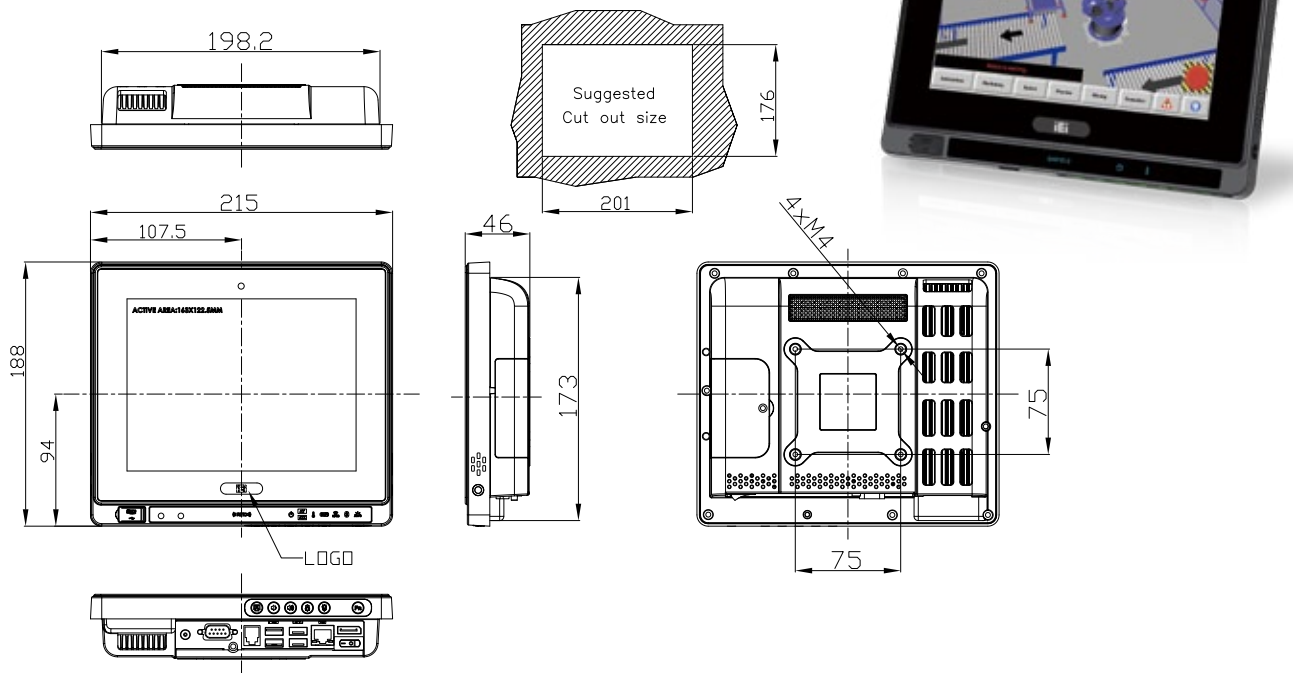
AFL2-W07A Dimensions

(Unit: mm)



AFL2-08A Dimensions

(Unit: mm)



1

IEI Mobile Solutions

2

Automation Panel Solutions

3

PACsmate Medical Solutions

4

Optional Peripherals

AFL2-W10A-N28

Intel® Atom™ N2800 Dual Core Processor

AFL2-10A-N28

Intel® Atom™ N2800 Dual Core Processor



AFL2-W10A-N28

Features

- Flat-bezel LCD with LED backlight
- Intel® Atom™ N2800 dual core 1.86 GHz processor
- One 1066 MHz 204-pin DDR3 SO-DIMM slot (system max. 4GB) pre-installed with 2GB
- 5-wire resistive type touch screen supported
- Wi-Fi 802.11b/g/n 2T2R high speed wireless
- EM or Mifare RFID reader
- Built-in 2M pixels webcam with AF, AE and AWB capabilities
- Built-in two 1.5W speakers and microphone
- IP 64 compliant front panel



Specifications

Model	AFL2-W10A-N28	AFL2-10A-N28		
LCD Specifications	Size	Wide 10.2"	10.4"	
	Resolution	1024 (W) x 600 (H)	800 (W) x 600 (H)	
	Brightness (cd/m ²)	400 cd/m ²	400 cd/m ²	
	Contrast Ratio	400:1	700:1	
	LCD Color	262K	262K/16.2M	
	Pixel Pitch (mm)	0.2175 (H) x 0.2175 (V)	0.264 (H) x 0.264 (V)	
	Viewing Angle (H-V)	140°(H) / 120°(V)	160°(H) / 140°(V)	
	Backlight MTBF	30000 hrs (LED backlight)	30000 hrs (LED backlight)	
Touch	Touch Screen	5-wire resistive type with RS-232 interface/ projected capacitive touch with USB interface	5-wire resistive type with RS-232 interface	
	Touch Controller	PenMount DMC9000/EETI EX5404+EXC7200	PenMount DMC9000	
System	CPU	Intel® Atom™ N2800 dual core 1.86 GHz CPU		
	Chipset	Intel® NM10		
	RAM	Support one 1066MHz 204-pin DDR3 SO-DIMM slot (max. 4GB)		
	Ethernet	Realtek RTL8111E PCIe GbE controller supporting ASF 2.0		
	Audio Codec	Realtek ALC892 HD Audio codec		
	HDD	2.5" SATA 2.0 HDD bay		
	Input / Output	1 x RS-232 COM Port (DB-9)	1 x Mini USB 2.0 port on front panel	
		1 x RS-232 COM Port (RJ-45)	1 x MicroSD card slot on front panel	
Other Features	Audio	AMP 1.5 W + 1.5 W		
	Camera	2M pixels with low light function, digital microphone		
	RFID Reader	EM 125 KHz or Mifare 13.56 MHz card reader (optional)		
	MSR Card Reader	MSR card reader (optional)		
	OSD Function	LCD on/off, brightness up/down, volume up/down, hotkey		
	System Cooling	Fanless		
	Connectivity	Wireless	IEEE 802.11b/g/n 2T2R module (WIFI-RT5392-SB-R10) Telec certified	
		Bluetooth	Bluetooth V2.0+EDR with USB interface (optional)	
Physical	Construction Front Panel	PC + ABS plastic front frame		
	Mounting	Wall, Rack, Stand, RACK Mounting and Arm VESA 75mm x 75mm		
	Color	Black		
	Dimensions (WxHxD) (mm)	280 x 198 x 51	282.5 x 242.7 x 51	
Environment	Weight (N/G)	2.5 kg / 4.02 kg	2.98 kg / 4.5 kg	
	Operating Temperature (°C) (Ambient with air flow)	-20°C ~ 45°C		
	Storage Temperature (°C)	-20°C ~ 60°C		
	Humidity	10% to 95% (non-condensing)		
Power	IP Level	IP 64 compliant front panel		
	Safety&EMC	CE / FCC		
	Power Supply	60W power adapter, Input: 90VAC~264VAC, 50/60 Hz, Output: 12VDC		
	Power Requirement	9 ~ 36 VDC		
Power Consumption	12V@2.35A (Intel® Atom™ N2800 CPU with 2GB DDR3 memory)	12V@2.75A (Intel® Atom™ N2800 CPU with 2GB DDR3 memory)		

1

IEIMobile Solutions

2

Automation Panel Solutions

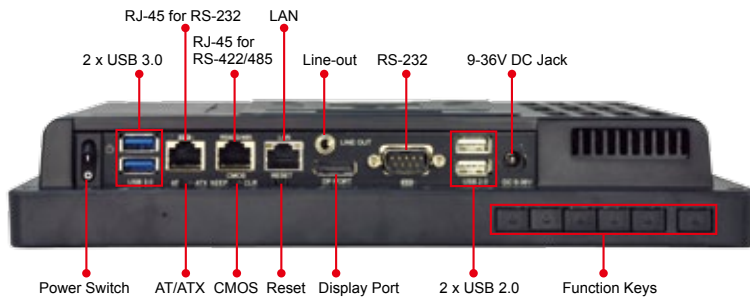
3

PACSmate Medical Solutions

4

Optional Peripherals

Rich I/O Interface



AFL2-10A-N28

1 x Mini USB port
1 x MicroSD card slot

- Fn
- Backlight On/Off
- Audio -
- Audio +
- Brightness -
- Brightness +
- RFID Enable/Disable**
- Audio Mute**
- Camera Enable/Disable**
- Front Side USB Enable/Disable**
- Power On / Off**

Options

Item	AFL2-W10A-N28	AFL2-10A-N28
Panel Mounting Kit		AFL2PK-10A
Wall Mounting Kit		AFLWK-12
Rack Mounting Kit	AFL2RK-W10A	AFL2RK-10A
Stand		STAND-C12-R10/STAND-A21-R10
V-stand		VSTAND-A10-R11
Magnetic Stripe Reader		AFL2P-12AMSR-U-R10
Bluetooth Module Kit		AFL2-BT-KIT01-R11
EM RFID Reader		AFL2-EM-RFID-KIT01-R10
Mifare RFID Reader		AFL2-MF-RFID-KIT01-R11
OS: Win XPE (CD-ROM)		AFL2-W10A-CV-XPE-R10
OS: Win 7 Embedded (DVD-ROM)	AFL2-W10A-CV-WES7E-R10 (for Resistive Touch) AFL2-W10A-CV-WES7P-R10 (for Projected Capacitive Touch)	

Packing List

Item	P/N	Q'ty	Description
Utility CD		1	drivers and user manual
One Key Recovery CD		1	
Power adapter	63040-010060-030-RS	1	(Meet PSE)
Power cord	32702-000200-100-RS	1	European standard, 1830mm
Power transfer cord	32702-000300-100-RS	1	

Ordering Information

Part Number	Description
AFL2-W10A-N28/R/2G-R10	10.2" 400cd/m ² WSVGA fanless panel PC with Intel® Atom™ cedarview N2800 dual core 1.86GHz, 802.11b/g/n wireless module, resistive touch screen, 2M camera, microphone, 2GB DDR3 RAM, R10
NEW!! AFL2-W10A-N28/PC/2G-R10	10.2" 400cd/m ² WSVGA fanless panel PC with Intel® Atom™ cedarview N2800 dual core 1.86GHz, 802.11b/g/n wireless module, projected capacitive touch screen, 2M camera, microphone, 2GB DDR3 RAM, R10
AFL2-10A-N28/R/2G-R10	10.4" 400cd/m ² SVGA fanless panel PC with Intel® Atom™ cedarview N2800 dual core 1.86GHz, 802.11b/g/n wireless module, resistive touch screen, 2M camera, microphone, 2GB DDR3 RAM, R10

1

IEI Mobile Solutions

2

Automation Panel Solutions

3

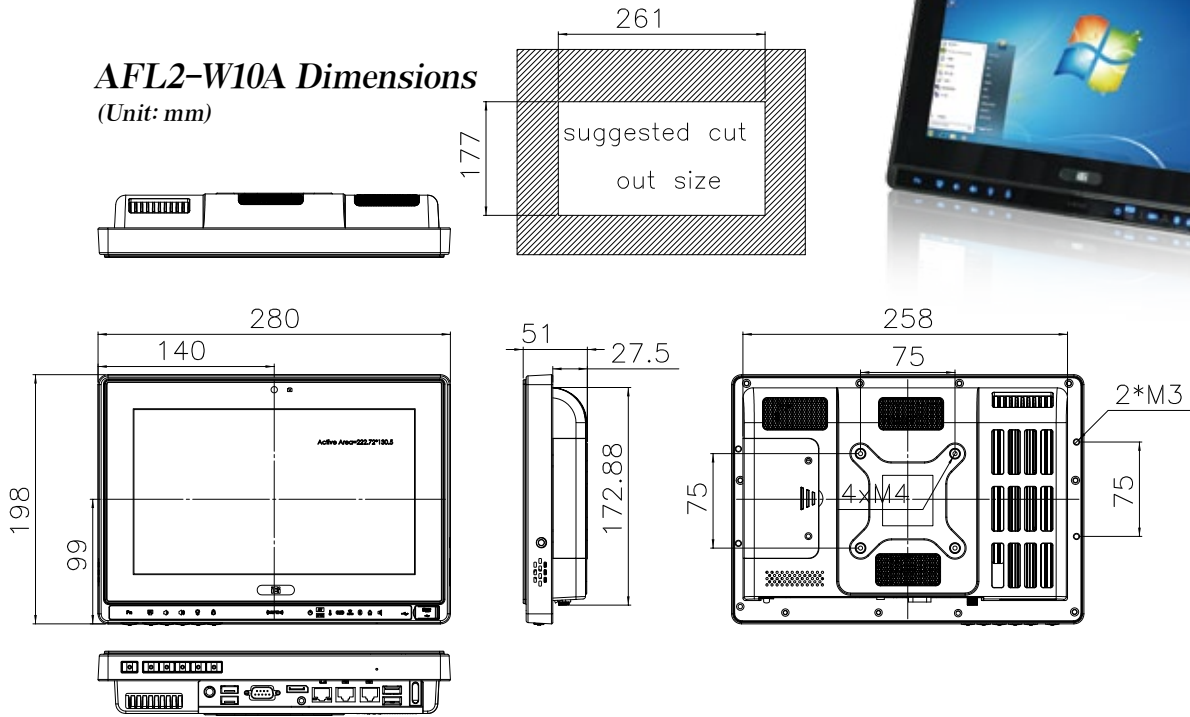
PACsmate Medical Solutions

4

Optional Peripherals

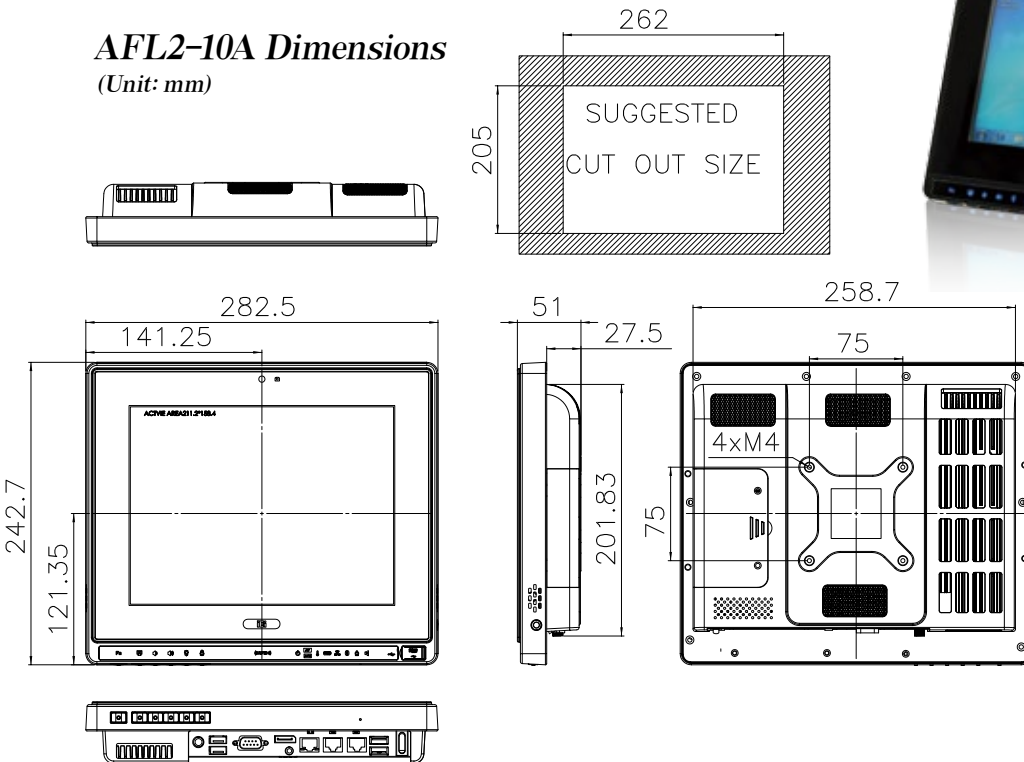
AFL2-W10A Dimensions

(Unit: mm)



AFL2-10A Dimensions

(Unit: mm)



1

IEIMobile Solutions

2

Automation Panel Solutions

3

PACsmate Medical Solutions

4

Optional Peripherals

AFL2-12A-HM65

Intel® Core™ i7/i5/i3 Processor

AFL2-12A-D525

Intel® Atom™ D525 Dual Core Processor



Features

- 12.1" 600nits 1024 x 768 flat-bezel LCD with LED backlight
- Supports projected capacitive touchscreen or 5-wire resistive type touchscreen
- Built-in two 3W speakers and microphone
- GbE LAN for high speed network applications
- One 204-pin DDR3 SO-DIMM slot (system max. 4GB)
- Wi-Fi 802.11b/g/n 2T2R high speed wireless
- EM or Mifare RFID reader
- IP 64 compliant front panel
- Auto-dimming control
- Built-in 1.3 megapixels webcam with AF AE and AWB capabilities
- Wide range 9~36 VDC input



Specifications

	Model	AFL2-12A-D525	Fanless	AFL2-12A-HM65	
LCD Specifications	Size	12.1"			
	Resolution	1024 (W) x 768 (H)			
	Brightness (cd/m²)	600			
	Contrast Ratio	700:1			
	LCD Color	16.2 M			
	Pixel Pitch (mm)	0.240 (H) x 0.240 (V)			
	Viewing Angle (H-V)	160° / 140°			
	Backlight MTBF	50000 hrs (LED backlight)			
Touch	Touch Screen	5-wire resistive type with RS-232 interface / projected capacitive type with USB interface			
	Touch Controller	PenMount DMC9000 / EETI EXC7200 & EXC5400			
System	CPU	Intel® Atom™ D525 1.8GHz dual core processor		2nd Generation Intel® Core™ i7/ i5/ i3 and Celeron® processor	
	Chipset	Intel® ICH8M		Intel® HM65	
	RAM	Support one 204-pin DDR3 SO-DIMM slot (Max. 4GB)			
	Ethernet	Realtek RTL8111E PCIe GbE controller supporting ASF 2.0			
	Audio Codec	Realtek ALC888 HD Audio codec			
	Storage	CF Type II socket			
		2.5" SATA 3Gb/s SSD bay mSATA			2.5" SATA 6Gb/s SSD bay
	Input / Output	1 x RS-232 (DB-9)	1 x VGA port (DB-15)	1 x RS-232 (DB-9)	1 x HDMI port
		1 x RS-232 (RJ-45)	1 x MicroSD card slot on front panel	1 x RS-232 (RJ-45)	1 x MicroSD card slot on front panel
	Other Features	1 x RS-422/485	1 x Power switch	1 x RS-422/485 (4-pin box header)	1 x Power switch
(4-pin box header)		1 x AT/ATX switch	2 x GbE LAN (RJ-45)	1 x AT/ATX switch	
2 x GbE LAN (RJ-45)		1 x Reset button	2 x USB 2.0	1 x Reset button	
4 x USB 2.0		1 x Clear CMOS button	2 x USB 3.0	1 x Clear CMOS button	
1 x Mini USB 2.0 port on front panel		1 x DC input jack	1 x Mini USB 2.0 port on front panel	1 x DC input jack	
1 x Audio jack (line-out)			1 x Audio jack (line-out)		
Audio		AMP 3W + 3W (internal speaker)			
Camera	1.3 M pixels with low light function				
RFID Reader	EM 125 KHz or Mifare 13.56 MHz card reader (optional)				
MSR Card Reader	MSR card reader (optional)				
OSD Function	LCD on/off, brightness up/down, volume up/down, Hot Key				
Ambient Light Sensor	Yes				
Infrared Remote Controller	Yes				
System Cooling	Fanless		Smart fan		
Connectivity	Wireless	IEEE 802.11b/g/n 2T2R module (WIFI-RT5392-SB-R10) Telec certified			
	Bluetooth	Bluetooth V2.0+EDR with USB interface (optional)			
Physical	Construction Front Panel	PC + ABS Plastic			
	Mounting	Panel, Wall, Rack, Stand and Arm VESA 100 mm x 100 mm			
	Color	Black			
	Dimensions (WxHxD)(mm)	310 x 265 x 52.6			
Environment	Weight (N/G)	3.2 kg / 5.5 kg		3.8 kg / 6.1 kg	
	Operating Temperature (°C) (Ambient with air flow)	-20°C ~ 50°C		-20°C ~ 50°C with SSD	
	Storage Temperature (°C)	-20°C ~ 60°C		-20°C ~ 60°C	
	Humidity	10% to 95% (non-condensing)			
	IP Level	IP 64 compliant front panel			
	Safety&EMC	CE / FCC			
Power	Power Supply	60W power adapter Input: 100VAC~240VAC, 50/60 Hz Output: 19VDC		90W power adapter Input: 100VAC~240VAC, 50/60Hz Output: 19VDC	
	Power Requirement	9 ~ 36 VDC			
	Power Consumption	19V@2.2A (Intel® Atom™ D525 CPU with 800MHz 2GB DDR3 memory)		19V@2.68A (Intel® Core™ i5-2510E processor with 4GB DDR3 memory)	

Ordering Information

●AFL2-12A-D525

Part No.		Description
Resistive Touch Panel Screen	AFL2-12A-D525/R/1G-R12	12.1" 600cd/m ² XGA fanless panel PC with Intel® Atom™ D525 dual core 1.8GHz, 802.11b/g/n wireless module, resistive touch screen, 1.3 M camera, microphone, 1 GB DDR3 RAM, Dual GbE LAN, R12
Projective Capacitive Touch Screen	AFL2-12A-D525/PC/1G-R12	12.1" 600cd/m ² XGA fanless panel PC with Intel® Atom™ D525 dual core 1.8GHz, 802.11b/g/n wireless module, projected capacitive touchscreen, 1.3 M camera, microphone, 1 GB DDR3 RAM, Dual GbE LAN, R12

●AFL2-12A-HM65

Part No.		Description
Resistive Touch Screen	AFL2-12A-HM65/R-R12	12.1" 600cd/m ² XGA panel PC, 802.11b/g/n wireless module, resistive touch screen, 1.3M camera, microphone, dual GbE LAN, R12
Projective Capacitive Touch Screen	AFL2-12A-HM65/PC-R12	12.1" 600cd/m ² XGA panel PC, 802.11b/g/n wireless module, projected capacitive touchscreen, 1.3M camera, microphone, dual GbE LAN, R12
CPU Selection	CPU-MB-i7-2640M	2nd Generation Intel® Core™ i7 Processor [Mobile], PPGA-988, dual core 2.8GHz, 35W, iAMT
	CPU-MB-i5-2510E	2nd Generation Intel® Core™ i5 Processor [Mobile], PPGA-988, dual core 2.5GHz, 35W, iAMT
	CPU-MB-i3-2310M	2nd Generation Intel® Core™ i3 Processor [Mobile], PPGA-988, dual core 2.1GHz, 35W
	CPU-MB-CM-B810	Intel® Celeron® Mobile Processor, PPGA-988, dual core 1.6GHz, 35 W
	CPU-MB-CM-B710	Intel® Celeron® Mobile Processor, PPGA-988, single core 1.6GHz, 35 W
Memory Selection	DDR3-SO-1333-1GB	SO-DIMM DDR3 1333MHz 1GB
	DDR3-SO-1333-2GB	SO-DIMM DDR3 1333MHz 2GB
	DDR3-SO-1333-4GB	SO-DIMM DDR3 1333MHz 4GB

Options

Item	AFL2-12A-D525	AFL2-12A-HM65
Panel Mounting Kit	AFLPK-15	
Wall Mounting Kit	AFLWK-19B	
Rack Mounting Kit	AFL2RK-12	
Arm	ARM-11-RS	
Stand	STAND-A12-RS/STAND-A19-RS/STAND-A21-R10/STAND-C12-R10	
V-Stand	VSTAND-A12-R11	
Bluetooth Module Kit	AFL2-BT-KIT01-R11	
Magnetic Stripe Reader Kit	AFL2P-12AMSR-U-R10	
EM RFID Reader	AFL2-EM-RFID-KIT01-R10	
Mifare RFID Reader	AFL2-MF-RFID-KIT01-R11	
OS: Win XPE (2GB CF Card)	AFL2CF-12-D525-XPE-2G-R10	AFL2-12A-HM65-XPE-R10*
OS: Win XPE (4GB CF Card)	AFL2CF-12-D525-XPE-4G-R10	AFL2-12A-HM65-XPE-R10*
OS: Win 7 Embedded (4GB CF Card)	AFL2CF-12-D525-WES7P-4G-R10 (for Projected Capacitive Touch) AFL2CF-12-D525-WES7E-4G-R10 (for Resistive Touch)	AFL2-12A-HM65-WES7P-R10* (for Projected Capacitive Touch) AFL2-12A-HM65-WES7E-R10* (for Resistive Touch)

*OS image with CD-ROM or DVD-ROM

1

IEIMobile Solutions

2

Automation Panel Solutions

3

PACSmate Medical Solutions

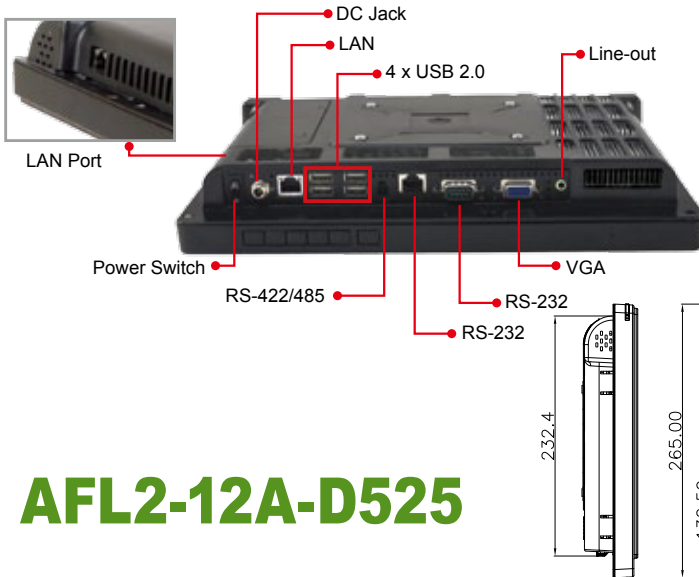
4

Optional Peripherals

Packing List

Item	P/N	Q'ty	Description
Utility CD		1	Drivers and user manual
One Key Recovery CD		1	
Power Adapter	63040-010065-010-RS (for AFL2-12A-D525) 63040-010090-030-RS (for AFL2-12A-HM65)	1	FSP065-RAB;90~264VAC input ; 65W ;19VDC output (Meet PSE) FSP090-D2BA1;90~264VAC input ; 90W ;19VDC output
Power Cord	32702-000401-100-RS	1	1500 mm, European Standard
Power Transfer Cord	32702-000300-100-RS	1	
M3 Screw Pack	44013-030041-RS	4	M3*4 for securing HDD
M4 Screw Pack	44403-040061-RS	4	M4*4 VESA screw
Touch Pen	43125-0002C0-00-RS	1	
RJ-45 to DB-9 COM Port Cable	32005-000200-200-RS	1	
IR Remote Controller	7Z000-SLPCB005-RS	1	
RS-422 Cable	32205-002400-100-RS	1	
Pen	43125-0002C0-00-RS	1	For Resistive Touch

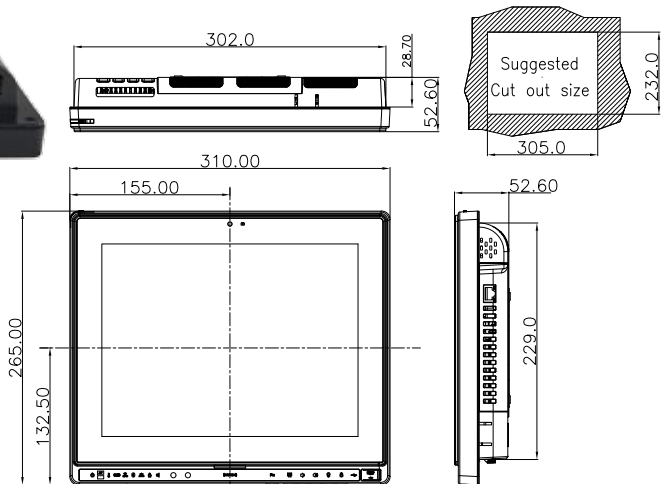
Fully Integrated I/O



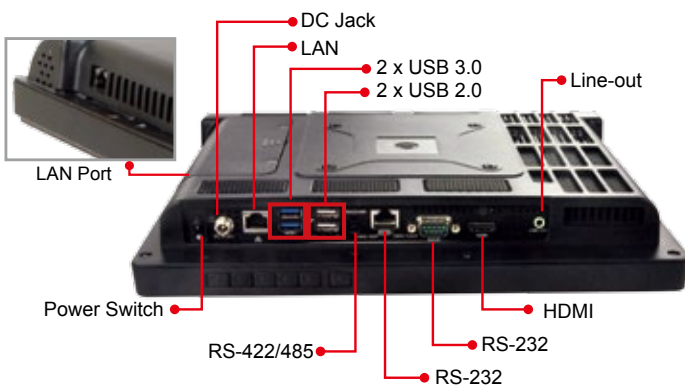
AFL2-12A-D525

AFL2-12A-D525 Dimensions

(Unit: mm)



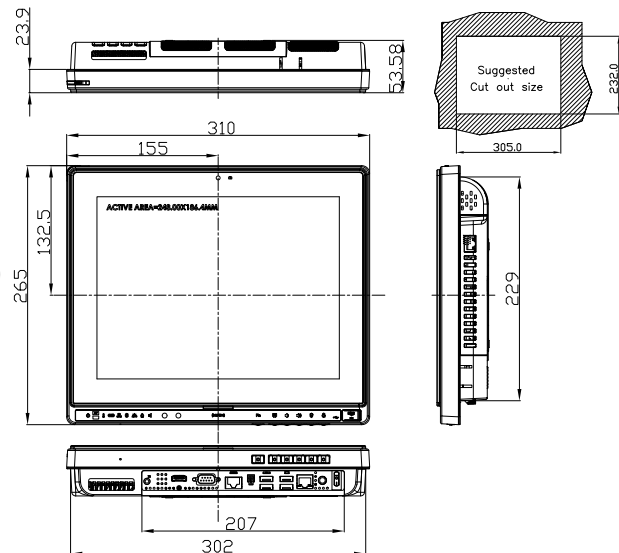
Fully Integrated I/O



AFL2-12A-HM65

AFL2-12A-HM65 Dimensions

(Unit: mm)



AFL2-15A-H61

Intel® Core™ i7/i5/i3 and Pentium® processor

AFL2-W15B-H61

Intel® Core™ i7/i5/i3 and Pentium® processor



AFL2-15A-H61

Features

- Flat-bezel LCD with LED backlight
- Intel® Core™ i5/ i3 and Pentium® processor
- Two 204-pin DDR3 SO-DIMM slot (system max. 16GB) preinstalled with 4GB (2GB x 2)
- Projected capacitive touchscreen and 5-wire resistive type touchscreen supported
- Wi-Fi 802.11b/g/n 2T2R high speed wireless
- EM or Mifare RFID reader
- Built-in 2M pixels webcam with AF, AE and AWB capabilities
- Built-in two 2W speakers and microphone
- IP 64 compliant front panel
- Auto dimming control
- Light fanless technology design
- Type K thermocouple temperature sensor
- Wide range 9~36 VDC input



Specifications

	Model	AFL2-15A-H61	AFL2-W15B-H61	
LCD Specifications	Size	15" (4:3)	W15.6" (16:9)	
	Resolution	1024 (W) x 768 (H)	1366 (W) x 768 (H)	
	Brightness (cd/m ²)	400	300	
	Contrast Ratio	700:1	500:1	
	LCD Color	262K/16.2M	16.7M	
	Pixel Pitch (mm)	0.297 (H) x 0.297 (V)	0.252 (H) x 0.252 (V)	
	Viewing Angle (H-V)	160° / 140°	170° / 160°	
	Backlight MTBF	50,000 hrs (LED backlight)	50,000 hrs (LED backlight)	
Touch	Touch Screen	5-wire resistive type with RS-232 interface / projected capacitive type with USB interface		
	Touch Controller	PenMount DMC9000 / EETI EXC7200 & EXC5404		
System	CPU	2nd/3rd Generation Intel® Core™ i7/i5/i3 and Pentium® processors		
	Chipset	Intel® H61		
	RAM	Support two 204-pin DDR3 SO-DIMM slot (max. 16GB) preinstalled with 4GB (2GB x 2)		
	Ethernet	Realtek RTL8111E PCIe GbE controller supporting ASF 2.0		
	Audio Codec	Realtek ALC892 HD Audio codec		
	Storage	CF Type II socket 2.5" SATA 3Gb/s HDD bay		
	Input / Output		2 x RS-232 (DB-9 connector)	1 x VGA port
			1 x GbE LAN (RJ-45 connector) on left side	1 x HDMI port
			1 x RS-422/485 (RJ-45 connector)	1 x Power switch
			3 x USB 2.0 (two on the bottom, one on the left)	1 x AT/ATX switch
		2 x USB 3.0	1 x Reset button	
Other Features	Audio	AMP 2W + 2W (internal speaker)		
	Camera	2M pixels with low light function		
	RFID Reader	EM 125 KHz or Mifare 13.56 MHz card reader (optional)		
	MSR Card Reader	MSR card reader (optional)		
	TPM	Reserved by pin-header		
	OSD Function	LCD on/off, brightness up/down, volume up/down, Hot Key		
	Ambient Light Sensor	Yes		
	Infrared Remote Controller	Yes		
	System Cooling	Light fanless (smart fan operates above default temperature setting)		
	Connectivity	Wireless	IEEE 802.11b/g/n 2T2R module (WIFI-RT5392-SB-R10) Telec certified	
Bluetooth		Bluetooth V2.0+EDR with USB interface (optional)		
Physical	Construction Front Panel	PC + ABS Plastic		
	Mounting	Wall, Stand, Arm VESA 100mm x 100mm	Panel, Wall, Rack, Stand, Arm VESA 100mm x 100mm	
	Color	Black		
	Dimensions (WxHxD) (mm)	363.2 x 305.1 x 58.8	399.4 x 271.2 x 58.8	
	Weight (N/G)	5.2 kg / 7.3 kg	4.5 kg / 6.5 Kg	
Environment	Operating Temperature (°C) (Ambient with air flow)	-20°C ~ 50°C		
	Storage Temperature (°C)	-20°C ~ 60°C		
	Humidity	10% to 95% (non-condensing)		
	IP Level	IP 64 compliant front panel		
	Safety&EMC	CE / FCC		
Power	Power Supply	90W power adapter Input:100 V AC ~ 240 V AC, 50 / 60Hz, Output: 19 V DC		
	Power Requirement	9 ~ 36 VDC		
	Power Consumption	19V@3.42A (Intel® Core™ i3-2100T CPU with 4GB 1333 Mhz DDR3 memory)	19V@3.95A (Intel® Core™ i3-2120 CPU with 4GB 1333 Mhz DDR3 memory)	

1

IEIMobile Solutions

2

Automation Panel Solutions

3

PACSmate Medical Solutions

4

Optional Peripherals

Options

Item	AFL2-15A-H61	AFL2-W15B-H61
Panel Mounting Kit	N/A	AFL2PK-W15B
Wall Mounting Kit	AFLWK-19B	
Rack Mounting Kit	N/A	AFL2RK-W15B
Arm	ARM-11-RS/ARM-31-RS	
Stand	STAND-A21-R10/ STAND-C19-R10/ STAND-210-R11	
Magnetic Stripe Reader	AFL2P-15AMSR-U-R10	AFL2P-W15BMSR-U-R10
Bluetooth Module Kit	AFL2-BT-KIT01-R11	
Trusted Platform Module (TPM)	TPM-IN01-R11	
EM RFID Reader	AFL2-EM-RFID-KIT01-R10	
Mifare RFID Reader	AFL2-MF-RFID-KIT01-R11	
OS: Win XPE (2GB CF Card)	AFL2CF-15A-H61-XPE-2G-R10	
OS: Win XPE (4GB CF Card)	AFL2CF-15A-H61-XPE-4G-R10	
OS: Win 7 Embedded (4GB CF Card)	AFL2CF-15A-H61-WES7P-4G-R10 (for Projected Capacitive Touch) AFL2CF-15A-H61-WES7E-4G-R10 (for Resistive Touch)	

Packing List

Item	P/N	Q'ty	Description
Utility CD	7B000-000957-RS	1	drivers and user manual
One Key Recovery CD	7B000-000781-RS	1	
Power Adapter	63040-010090-020-RS	1	FSP090-D2BA1; 90~264VAC input; 90W; 19VDC output
Power Cord	32702-000401-100-RS	1	European, 1500mm
Power Transfer Cord	32702-000300-100-RS	1	
RJ-45 to DB-9 COM Port Cable	32005-000200-200-RS	1	
IR Remote Controller	7Z000-SLPCB005-RS	1	
M3 Screw Pack	44013-030041-RS	4	M3 x 4 for securing HDD
M4 Screw Pack	44033-040061-RS	4	M4 x 4 for VESA screw
Temperature Sensor Cable	32133-004300-100-RS	1	
Pen	43125-0002C0-00-RS	1	For Resistive Touch

Ordering Information

AFL2-15A-H61

Part No.	Description
Core i5	AFL2-15A-H61-i5/R-R12 15" 400cd/m ² XGA panel PC, Core i5 Dual Core 2xxxT CPU (Above 2.7GHz), TDP 35W, 4GB DDR3 (2GB x 2), 802.11b/g/n wireless module, resistive touch screen, 2M camera, microphone, R12
	AFL2-15A-H61-i5/PC-R12 15" 400cd/m ² XGA panel PC, Core i5 Dual Core 2xxxT CPU (Above 2.7GHz), TDP 35W, 4GB DDR3 (2GB x 2), 802.11b/g/n wireless module, projected capacitive touchscreen, 2M camera, microphone, R12
Core i3	AFL2-15A-H61-i3/R-R12 15" 400cd/m ² XGA panel PC, Core i3 Dual Core 2xxxT CPU (Above 2.5GHz), TDP 35W, 4GB DDR3 (2GB x 2), 802.11b/g/n wireless module, resistive touch screen, 2M camera, microphone, R12
	AFL2-15A-H61-i3/PC-R12 15" 400cd/m ² XGA panel PC, Core i3 Dual Core 2xxxT CPU (Above 2.5GHz), TDP 35W, 4GB DDR3 (2GB x 2), 802.11b/g/n wireless module, projected capacitive touchscreen, 2M camera, microphone, R12
Pentium	AFL2-15A-H61-P/R-R12 15" 400cd/m ² XGA panel PC, Pentium Dual Core G6xxT CPU (Above 2.2GHz), TDP 35W, 4GB DDR3 (2GB x 2), 802.11b/g/n wireless module, resistive touch screen, 2M camera, microphone, R12
	AFL2-15A-H61-P/PC-R12 15" 400cd/m ² XGA panel PC, Pentium Dual Core G6xxT CPU (Above 2.2GHz), TDP 35W, 4GB DDR3 (2GB x 2), 802.11b/g/n wireless module, projected capacitive touchscreen, 2M camera, microphone, R12

AFL2-W15B-H61

Part No.	Description
Core i5	AFL2-W15B-H61-i5/R-R12 15.6" 300cd/m ² HD panel PC, Core i5 Dual Core 2xxxT CPU (Above 2.7GHz), TDP 35W, 4GB DDR3 (2GB x 2), 802.11b/g/n wireless module, resistive touch screen, 2M camera, microphone, R12
	AFL2-W15B-H61-i5/PC-R12 15.6" 300cd/m ² HD panel PC, Core i5 Dual Core 2xxxT CPU (Above 2.7GHz), TDP 35W, 4GB DDR3 (2GB x 2), 802.11b/g/n wireless module, projected capacitive touchscreen, 2M camera, microphone, R12
Core i3	AFL2-W15B-H61-i3/R-R12 15.6" 300cd/m ² HD panel PC, Core i3 Dual Core 2xxxT CPU (Above 2.5GHz), TDP 35W, 4GB DDR3 (2GB x 2), 802.11b/g/n wireless module, resistive touch screen, 2M camera, microphone, R12
	AFL2-W15B-H61-i3/PC-R12 15.6" 300cd/m ² HD panel PC, Core i3 Dual Core 2xxxT CPU (Above 2.5GHz), TDP 35W, 4GB DDR3 (2GB x 2), 802.11b/g/n wireless module, projected capacitive touchscreen, 2M camera, microphone, R12
Pentium	AFL2-W15B-H61-P/R-R12 15.6" 300cd/m ² HD panel PC, Pentium Dual Core G6xxT CPU (Above 2.2GHz), TDP 35W, 4GB DDR3 (2GB x 2), 802.11b/g/n wireless module, resistive touch screen, 2M camera, microphone, R12
	AFL2-W15B-H61-P/PC-R12 15.6" 300cd/m ² HD panel PC, Pentium Dual Core G6xxT CPU (Above 2.2GHz), TDP 35W, 4GB DDR3 (2GB x 2), 802.11b/g/n wireless module, projected capacitive touchscreen, 2M camera, microphone, R12

1
IEI Mobile Solutions

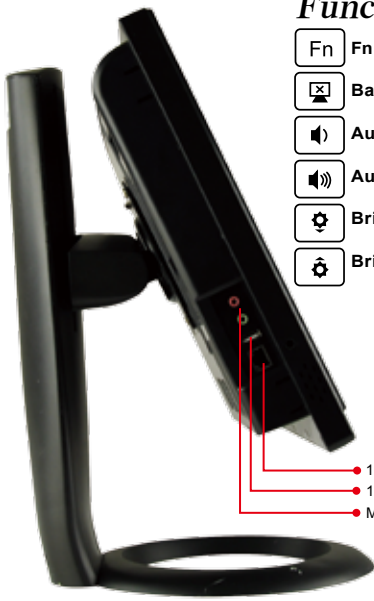
2
Automation Panel Solutions

3
PACsmate Medical Solutions

4
Optional Peripherals

Function Keys

- | | |
|------------------|--|
| Fn | RFID enable / disable |
| Backlight On/Off | Audio mute |
| Audio - | Camera enable / disable |
| Audio + | Front side Mini USB & MicroSD enable / disable |
| Brightness - | Power on / off |
| Brightness + | |



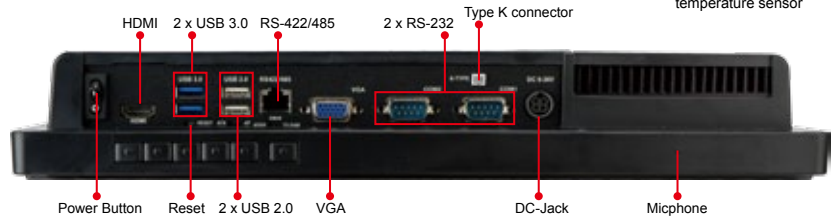
- 1 x GbE LAN
- 1 x USB 2.0
- Mic, Line-out



AFL2-W15B-H61

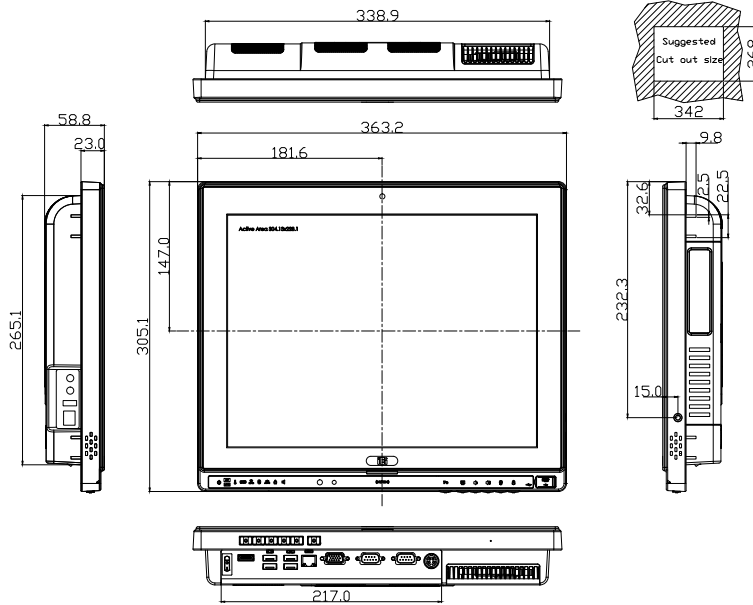
- 1 x Mini USB port
- 1 x MicroSD card slot

Type K thermocouple temperature sensor

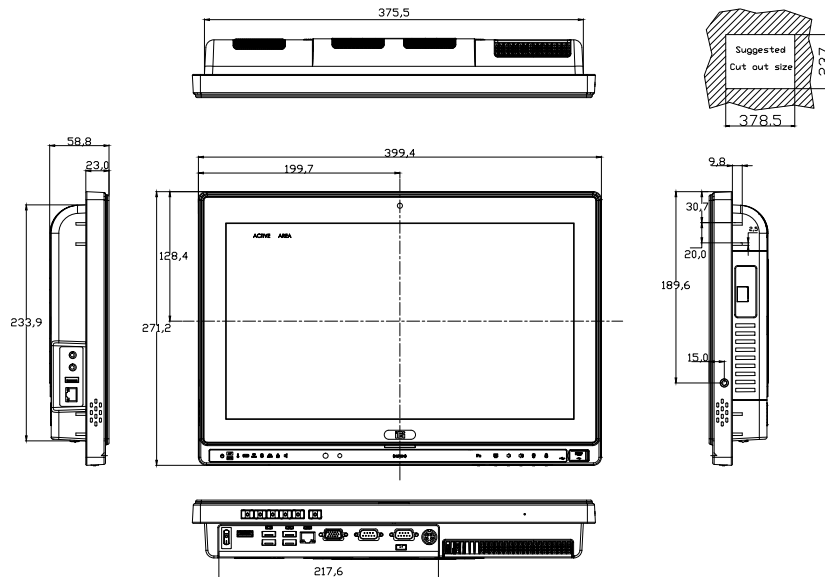


- HDMI
- 2 x USB 3.0
- RS-422/485
- 2 x RS-232
- Type K connector
- Power Button
- Reset
- 2 x USB 2.0
- VGA
- DC-Jack
- Micphone

AFL2-15A-H61 Dimensions (Unit: mm)



AFL2-W15B-H61 Dimensions (Unit: mm)



1

IEIMobile Solutions

2

Automation Panel Solutions

3

PACSmart Medical Solutions

4

Optional Peripherals

15.6" Wide Panel PC

AFL2-W15A-N270

Intel® Atom™ N270 Processor



Features

- Flat-bezel LCD with LED backlight
- Intel® Atom™ processor N270 1.6 GHz processor
- one 400 MHz or 533 MHz DDR2 SO-DIMM (max. 2GB)
- Projected capacitive type flat touch screen/ Resistive type 5-wire flat touch screen supported
- Wi-Fi 802.11b/g/n supported
- Optional EM or Mifare RFID reader
- Built-in 2 M pixels webcam
- Built-in two 1.5W speakers and microphone
- IP 64 compliant front panel



Specifications

	Model	AFL2-W15A-N270
LCD Specifications	Size	Wide 15.6" TFT LCD
	Resolution	1366 x 768
	Brightness (cd/m ²)	300
	Contrast Ratio	500:1
	LCD Color	16.7M
	Pixel Pitch (mm)	0.252 (H) x 0.252 (V)
	Viewing Angle (H-V)	170° (H) / 160° (V)
	Backlight MTBF	50000 hrs (LED backlight)
Touch	Touch Screen	5-wire resistive type with RS232 interface / projected capacitive type with USB interface
	Touch Controller	PenMount DMC9000 / EETI EXC7200 & EXC5404
System	CPU	Intel® Atom™ processor N270 1.6 GHz CPU
	Chipset	Intel® 945GSE + ICH7M
	RAM	Support one 400 MHz or 533 MHz DDR2 SO-DIMM (max. 2GB)
	Ethernet	Realtek RTL8111E PCIe GbE controller supporting ASF 2.0
	Audio Codec	Realtek ALC888 HD Audio codec
	Storage	CF Type II 1 x 2.5" SATA HDD Bay
	Watchdog Timer	Software programmable supports 1~255 sec. system reset
	Input / Output	1 x RS-232 COM port 1 x Audio port (Line out) 1 x RS-232/422/485 COM port 1 x VGA 1 x RJ-45 for GbE LAN 1 x Power jack 2 x USB 2.0 1 x External SATA 1 x Power switch 1 x Reset button
Other Features	Audio	AMP 1.5 W + 1.5 W (internal speaker)
	Camera	2 M pixels with low light function
	RFID Reader	EM 125 KHz or Mifare 13.56 MHz card reader (optional)
	OSD Function	LCD on/off, brightness up/down, volume up/down
	Ambient Light Sensor	Yes
	Infrared Remote Controller	LCD on/off, brightness up/down, volume up/down
Connectivity	Touch Screen	Projected capacitive type flat touch screen/ Resistive type 5-wire flat touch screen
	Wireless	IEEE 802.11b/g/n 2T2R module (WIFI-RT5392-SB-R10) Telec certified
Physical	Construction Front Panel	PC + ABS plastic front frame
	Mounting	VESA 100 mm x 100 mm
	Color	Black C
	Dimensions (WxHxD) (mm)	400 x 267 x 54
	Weight (N/G)	3.8 kg
Environment	Operating Temperature (°C) (Ambient with air flow)	-10°C ~ 50°C
	Storage Temperature (°C)	-20°C ~ 60°C
	Humidity	10% to 95% (non-condensing)
	IP Level	IP 64 compliant front panel
	Safety & EMI	CE / FCC
Power	Power Supply	60W power adapter Input: 90VAC~264VAC, 50/60 Hz Output: 12VDC
	Power Requirement	12VDC
	Power Consumption	12V@4.25A (Intel® Atom™ N270 CPU with 667MHz 2GB DDR2 memory)

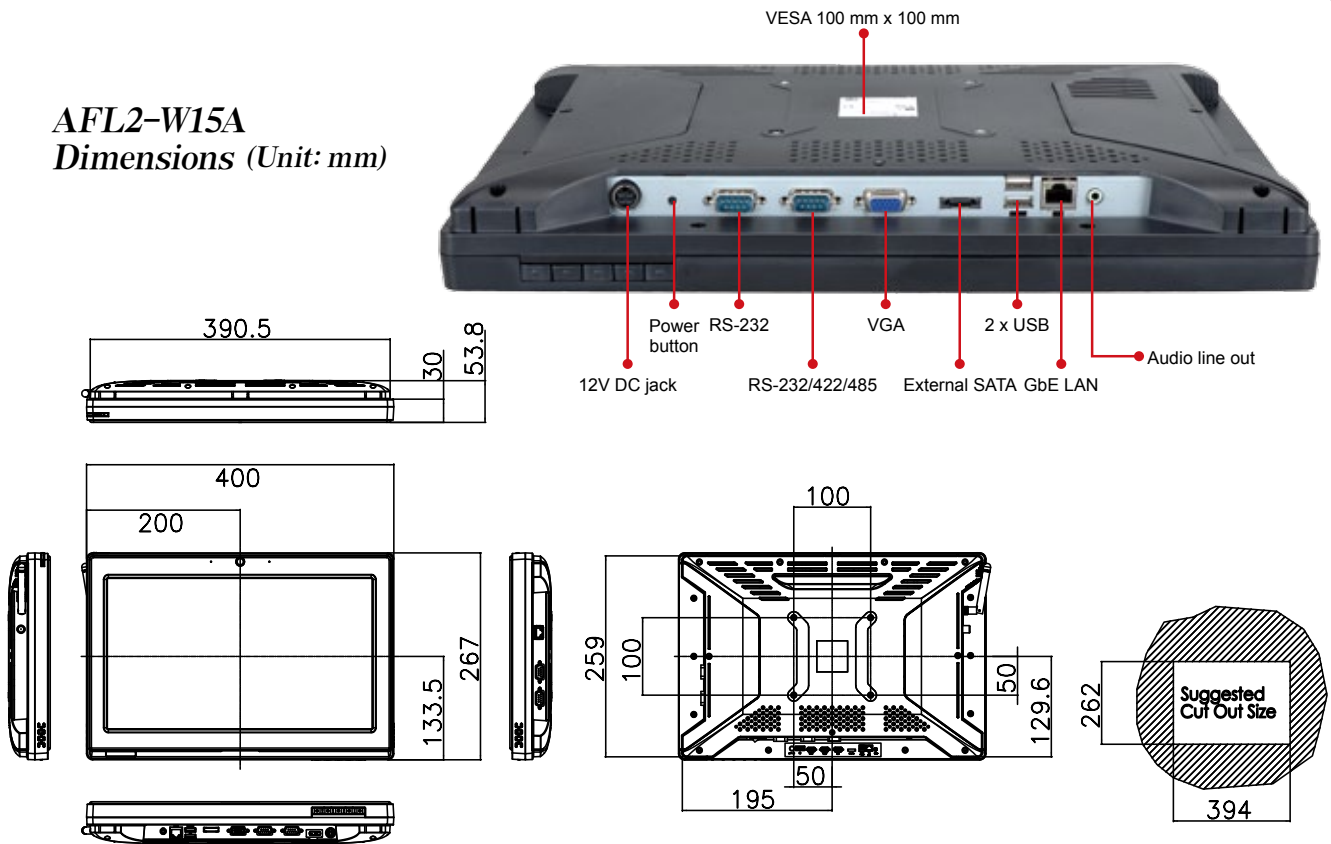
1
IEI Mobile Solutions

2
Automation Panel Solutions

3
PACsmate Medical Solutions

4
Optional Peripherals

AFL2-W15A Dimensions (Unit: mm)



Optional Kit

Options	AFL2-W15A-N270
Panel Mounting Kit	AFL2PK-W15A-R10
Wall Mounting Kit	AFLWK-19B
Arm	ARM-11-RS / ARM-31-RS
Stand	STAND-A19-RS / STAND-A21-R10 / STAND-C19-R10 / STAND-210-R11
EM RFID Reader	AFL2-EM-RFID-KIT02-R10
Mifare RFID Reader	AFL2-MF-RFID-KIT03-R10
OS	Win CE 6.0 AFL2CF-W15-N270-CE060-R10 (128 MB CF card)
	Win XPE AFL2CF-W15-N270-XPE-R10 (1 GB CF card)
	Win 7 AFL2CF-W15-N270-WES7E-R20 / AFL2CF-W15-N270-WES7P-R20 (4 GB CF card) AFL2SD-W15-N270-WES7E-R20 / AFL2SD-W15-N270-WES7P-R20 (4 GB SATA SSD module)
DC 12 V Input UPS	AUPS-B10-R10 (VESA 100, DC 12 V input, 12 V output 100 W UPS module with 3800 mA·h)
DC 9~36 V Input UPS	AUPS-B20-R10 (VESA 100, DC 9~36 V input, 12 V output 100 W UPS module with 3800 mA·h)

Packing List

Item	P/N	Q'ty	Specifications
Touch Pen	43125-0002C0-00-RS	1	
Power Adapter	63040-010060-050-RS	1	90-264 VAC input , 12 VDC output, 60W (Meet PSE)
Power Cord	32000-000002-RS	1	1750 mm; European standard
User's Manual CD	7B000-000087-RS	1	
Screws	44013-030041-RS	4	
Remote Controller	7Z000-8T00320ICP05G-RS	1	



Touch Pen

Model No.:43125-0002C0-00-RS

Description:

- 1) With special material
- 2) Combined soft rubber with anti-oxidative plastic material
- 3) Durable and flexible
- 4) Particularly designed for AFOLUX II touch
- 5) Pen Length: 140mm

Ordering Information

Part No.	Description
Resistive Type Touch	AFL2-W15A-N270/R/1G-R20 15.6" 300cd/m ² WXGA+ fanless panel PC with Intel® Atom™ N270 1.6 GHz, 802.11b/g/n wireless module, resistive touch screen, 2 M camera, microphone, 1GB DDR2 RAM, without expansion, R20
Projected Capacitive Type Touch	AFL2-W15A-N270/PC/1G-R20 15.6" 300cd/m ² WXGA+ fanless panel PC with Intel® Atom™ N270 1.6 GHz, 802.11b/g/n wireless module, projected capacitive touchscreen, 2 M camera, microphone, 1GB DDR2 RAM, without expansion, R20

1

IEIMobile Solutions

2

Automation Panel Solutions

3

PACSmate Medical Solutions

4

Optional Peripherals

AFL2-17A-H61

Intel® Core™ i7/i5/i3 and Pentium® processor

AFL2-W19A-H61

Intel® Core™ i7/i5/i3 and Pentium® processor



AFL2-17A-H61

Optional CD-ROM available

Features

- Programmable colorful LED light bar
- Intel® Core™ i5/ i3 and Pentium® processor
- Two 204-pin DDR3 SO-DIMM slot (system max. 16GB) preinstalled with 4GB (2GB x 2)
- Projected capacitive touchscreen and 5-wire resistive type touchscreen supported
- Wi-Fi 802.11b/g/n 2T2R high speed wireless
- EM or Mifare RFID reader
- Built-in 2-megapixel webcam with AF, AE and AWB capabilities
- Built-in two 2W speakers and microphone
- IP 64 compliant front panel
- Auto dimming control
- Light fanless design
- Type K thermocouple temperature sensor
- Wide range 9~36 VDC input



Specifications

Model	AFL2-17A-H61	AFL2-W19A-H61		
LCD Specifications	Size	17" (4:3)	W18.9" (16:10)	
	Resolution	1280 (W) x 1024 (H)	1440 (W) X 900 (H)	
	Brightness (cd/m²)	350	250	
	Contrast Ratio	1000:1	1000:1	
	LCD Color	16.7M	16.7M	
	Pixel Pitch (mm)	0.264 (H) x 0.264 (V)	0.2835 (H) x 0.2835 (V)	
	Viewing Angle (H-V)	170° / 160°	170° / 160°	
	Backlight MTBF	50,000 (LED backlight)	30,000 (LED backlight)	
Touch	Touch Screen	5-wire rsistive type with RS-232 interface / projected capacitive type with USB interface		
	Touch Controller	PenMount DMC9000 / EETI EXC7200 & EXC5404		
System	CPU	2nd/3rd Generation Intel® Core™ i7/i5/i3 and Pentium® processors		
	Chipset	Intel® H61		
	RAM	Support two 204-pin DDR3 SO-DIMM slot (max. 16GB) preinstalled with 4GB (2GB x 2)		
	Ethernet	Realtek RTL8111E PCIe GbE controller supporting ASF 2.0		
	Audio Codec	Realtek ALC892 HD Audio codec		
	HDD	2.5" SATA 3Gb/s HDD bay		
	CD-ROM	1 x Slim Type CD-ROM bay		
	Input / Output	2 x RS-232 (DB-9 connector)	1 x Mic (on the left)	1 x VGA port (DB-15 connector)
		1 x RS-422/485 (DB-9 connector)	1 x GbE LAN (one on the bottom, one on the left)	1 x HDMI port
	Other Features	Expansion Interface	1 x PCIe Mini slot reserved	
Audio		AMP 2W + 2W (internal speaker)		
Camera		2 M pixels with low light function		
RFID Reader		EM 125 KHz or Mifare 13.56 MHz card reader (optional)		
MSR Card Reader		MSR card reader (optional)		
TPM		Reserved by pin-header		
OSD Function		LCD on/off, brightness up/down, volume up/down, Hot Key		
Ambient Light Sensor		Yes		
Infrared Remote Controller		Yes		
LED Light Bar		Yes		
Connectivity	System Cooling	Light fanless (smart fan operates above default temperature setting)		
	Wireless	IEEE 802.11b/g/n 2T2R module (WIFI-RT5392-SB-R10) Telec certified		
	Bluetooth	Bluetooth V2.0+EDR with USB interface (optional)		
Physical	Construction Front Panel	PC + ABS Plastic		
	Mounting	Panel, Wall, Rack, Stand, Arm VESA 100mm x 100mm	Panel, Wall, Stand, Arm VESA 100mm x 100mm	
	Color	Black		
	Dimensions (WxHxD)(mm)	418 x 378 x 65	488 x 361 x 65	
	Weight (N/G)	6.9 kg / 9.0 kg	7.3 kg / 10 Kg	
Environment	Operating Temperature (°C) (Ambient with air flow)	-20°C ~ 50°C		
	Storage Temperature (°C)	-20°C ~ 60°C		
	Humidity	10% to 95% (non-condensing)		
	IP Level	IP 64 compliant front panel		
	Safety&EMC	CE / FCC		
Power	Power Supply	120W power adapter , Input:100 V AC ~ 240 V AC, 50 / 60Hz, Output: 19 V DC		
	Power Requirement	9 ~ 36 VDC		
	Power Consumption	19V@5.3A (Intel® Core™ i3-2100T CPU with 4GB 1333 Mhz 4GB DDR3 memory)	19V@5.58A (Intel® Core™ i3-2100T CPU with 4GB 1333 Mhz 4GB DDR3 memory)	

1

IEI Mobile Solutions

2

Automation Panel Solutions

3

PACSmate Medical Solutions

4

Optional Peripherals



Ordering Information

AFL2-17A-H61/AFL2-17AB-H61

LED Bar	Model	Description
LED Bar	AFL2-17A-H61-i5/R-R12	17" 350cd/m ² SXGA panel PC, Core i5 Dual Core 2xxxT CPU (Above 2.7GHz), TDP 35W, 4GB DDR3 (2GB x 2), 802.11b/g/n wireless module, resistive touch screen, 2M camera, microphone, R12
	AFL2-17A-H61-i5/PC-R12	17" 350cd/m ² SXGA panel PC, Core i5 Dual Core 2xxxT CPU (Above 2.7GHz), TDP 35W, 4GB DDR3 (2GB x 2), 802.11b/g/n wireless module, projected capacitive touchscreen, 2M camera, microphone, R12
	AFL2-17A-H61-i3/R-R12	17" 350cd/m ² SXGA panel PC, Core i3 Dual Core 2xxxT CPU (Above 2.5GHz), TDP 35W, 4GB DDR3 (2GB x 2), 802.11b/g/n wireless module, resistive touch screen, 2M camera, microphone, R12
	AFL2-17A-H61-i3/PC-R12	17" 350cd/m ² SXGA panel PC, Core i3 Dual Core 2xxxT CPU (Above 2.5GHz), TDP 35W, 4GB DDR3 (2GB x 2), 802.11b/g/n wireless module, projected capacitive touchscreen, 2M camera, microphone, R12
	AFL2-17A-H61-P/R-R12	17" 350cd/m ² SXGA panel PC, Pentium Dual Core G6xxT CPU (Above 2.2GHz), TDP 35W, 4GB DDR3 (2GB x 2), 802.11b/g/n wireless module, resistive touch screen, 2M camera, microphone, R12
	AFL2-17A-H61-P/PC-R12	17" 350cd/m ² SXGA panel PC, Pentium Dual Core G6xxT CPU (Above 2.2GHz), TDP 35W, 4GB DDR3 (2GB x 2), 802.11b/g/n wireless module, projected capacitive touchscreen, 2M camera, microphone, R12
Without LED Bar	AFL2-17AB-H61-i5/R-R12	17" 350cd/m ² SXGA panel PC, Core i5 Dual Core 2xxxT CPU (Above 2.7GHz), TDP 35W, 4GB DDR3 (2GB x 2), 802.11b/g/n wireless module, resistive touch screen, 2M camera, microphone, without LED bar, R12
	AFL2-17AB-H61-i5/PC-R12	17" 350cd/m ² SXGA panel PC, Core i5 Dual Core 2xxxT CPU (Above 2.7GHz), TDP 35W, 4GB DDR3 (2GB x 2), 802.11b/g/n wireless module, projected capacitive touchscreen, 2M camera, microphone, without LED bar, R12
	AFL2-17AB-H61-i3/R-R12	17" 350cd/m ² SXGA panel PC, Core i3 Dual Core 2xxxT CPU (Above 2.5GHz), TDP 35W, 4GB DDR3 (2GB x 2), 802.11b/g/n wireless module, resistive touch screen, 2M camera, microphone, without LED bar, R12
	AFL2-17AB-H61-i3/PC-R12	17" 350cd/m ² SXGA panel PC, Core i3 Dual Core 2xxxT CPU (Above 2.5GHz), TDP 35W, 4GB DDR3 (2GB x 2), 802.11b/g/n wireless module, projected capacitive touchscreen, 2M camera, microphone, without LED bar, R12
	AFL2-17AB-H61-P/R-R12	17" 350cd/m ² SXGA panel PC, Pentium Dual Core G6xxT CPU (Above 2.2GHz), TDP 35W, 4GB DDR3 (2GB x 2), 802.11b/g/n wireless module, resistive touch screen, 2M camera, microphone, without LED bar, R12
	AFL2-17AB-H61-P/PC-R12	17" 350cd/m ² SXGA panel PC, Pentium Dual Core G6xxT CPU (Above 2.2GHz), TDP 35W, 4GB DDR3 (2GB x 2), 802.11b/g/n wireless module, projected capacitive touchscreen, 2M camera, microphone, without LED bar, R12

1

IEIMobile Solutions

2

Automation Panel Solutions

3

PACSmate Medical Solutions

4

Optional Peripherals

Options

Item	AFL2-17A-H61	AFL2-W19A-H61
Panel Mounting Kit	AFL2PK-17A	AFL2PK-W19A
Wall Mounting Kit	AFLWK-19B	
Rack Mounting Kit	AFL2RK-17A	N/A
Arm	ARM-31-RS	
Stand	STAND-A19-RS/STAND-A21-R10/STAND-C19-R10/STAND-210-R11	
Magnetic Stripe Reader	AFL2P-W19AMSR-U-R10	
Slim DVD Burner	AFL2-DVD-KIT01-R10	
Bluetooth Module Kit	AFL2-BT-KIT01-R11	
Trusted Platform Module (TPM)	TPM-IN01-R11	
EM RFID Reader	AFL2-EM-RFID-KIT01-R10	
Mifare RFID Reader	AFL2-MF-RFID-KIT01-R11	
OS: Win 7 Embedded (DVD-ROM)	AFL2-17A-H61-WES7P-R10 (for Projected Capacitive Touch) AFL2-17A-H61-WES7E-R10 (for Resistive Touch)	AFL2-W19A-H61-WES7P-R10 (for Projected Capacitive Touch) AFL2-W19A-H61-WES7E-R10 (for Resistive Touch)



Ordering Information

AFL2-W19A-H61/AFL2-W19AB-H61

LED Bar	Model	Description
LED Bar	AFL2-W19A-H61-i5/R-R12	18.9" 250cd/m ² WXGA+ panel PC, Core i5 Dual Core 2xxxT CPU (Above 2.7GHz), TDP 35W, 4GB DDR3 (2GB x 2), 802.11b/g/n wireless module, resistive touch screen, 2M camera, microphone, R12
	AFL2-W19A-H61-i5/PC-R12	18.9" 250cd/m ² WXGA+ panel PC, Core i5 Dual Core 2xxxT CPU (Above 2.7GHz), TDP 35W, 4GB DDR3 (2GB x 2), 802.11b/g/n wireless module, projected capacitive touchscreen, 2M camera, microphone, R12
	AFL2-W19A-H61-i3/R-R12	18.9" 250cd/m ² WXGA+ panel PC, Core i3 Dual Core 2xxT CPU (Above 2.5GHz), TDP 35W, 4GB DDR3 (2GB x 2), 802.11b/g/n wireless module, resistive touch screen, 2M camera, microphone, R12
	AFL2-W19A-H61-i3/PC-R12	18.9" 250cd/m ² WXGA+ panel PC, Core i3 Dual Core 2xxxT CPU (Above 2.5GHz), TDP 35W, 4GB DDR3 (2GB x 2), 802.11b/g/n wireless module, projected capacitive touchscreen, 2M camera, microphone, R12
	AFL2-W19A-H61-P/R-R12	18.9" 250cd/m ² WXGA+ panel PC, Pentium Dual Core G6xxT CPU (Above 2.2GHz), TDP 35W, 4GB DDR3 (2GB x 2), 802.11b/g/n wireless module, resistive touch screen, 2M camera, microphone, R12
	AFL2-W19A-H61-P/PC-R12	18.9" 250cd/m ² WXGA+ panel PC, Pentium Dual Core G6xxT CPU (Above 2.2GHz), TDP 35W, 4GB DDR3 (2GB x 2), 802.11b/g/n wireless module, projected capacitive touchscreen, 2M camera, microphone, R12
Without LED Bar	AFL2-W19AB-H61-i5/R-R12	18.9" 250cd/m ² WXGA+ panel PC, Core i5 Dual Core 2xxxT CPU (Above 2.7GHz), TDP 35W, 4GB DDR3 (2GB x 2), 802.11b/g/n wireless module, resistive touch screen, 2M camera, microphone, without LED bar, R12
	AFL2-W19AB-H61-i5/PC-R12	18.9" 250cd/m ² WXGA+ panel PC, Core i5 Dual Core 2xxxT CPU (Above 2.7GHz), TDP 35W, 4GB DDR3 (2GB x 2), 802.11b/g/n wireless module, projected capacitive touchscreen, 2M camera, microphone, without LED bar, R12
	AFL2-W19AB-H61-i3/R-R12	18.9" 250cd/m ² WXGA+ panel PC, Core i3 Dual Core 2xxxT CPU (Above 2.5GHz), TDP 35W, 4GB DDR3 (2GB x 2), 802.11b/g/n wireless module, resistive touch screen, 2M camera, microphone, without LED bar, R12
	AFL2-W19AB-H61-i3/PC-R12	18.9" 250cd/m ² WXGA+ panel PC, Core i3 Dual Core 2xxxT CPU (Above 2.5GHz), TDP 35W, 4GB DDR3 (2GB x 2), 802.11b/g/n wireless module, projected capacitive touchscreen, 2M camera, microphone, without LED bar, R12
	AFL2-W19AB-H61-P/R-R12	18.9" 250cd/m ² WXGA+ panel PC, Pentium Dual Core G6xxT CPU (Above 2.2GHz), TDP 35W, 4GB DDR3 (2GB x 2), 802.11b/g/n wireless module, resistive touch screen, 2M camera, microphone, without LED bar, R12
	AFL2-W19AB-H61-P/PC-R12	18.9" 250cd/m ² WXGA+ panel PC, Pentium Dual Core G6xxT CPU (Above 2.2GHz), TDP 35W, 4GB DDR3 (2GB x 2), 802.11b/g/n wireless module, projected capacitive touchscreen, 2M camera, microphone, without LED bar, R12

Packing List

Item	P/N	Q'ty	Description
Utility CD	7B000-000956-RS	1	drivers and user manual
One Key Recovery CD	7B000-000781-RS	1	
Power Adapter	63000-FSP120AAB-RS	1	FSP120-AAB;90-264VAC input ; 120W ;19VAC output (Meet PSE)
Power Cord	32702-000401-100-RS	1	European, 1500mm
Power Transfer Cord	32000-089400-RS	1	
Infrared Remote Controller	7Z000-SLPCB005-RS	1	
M3 Screw Pack	44013-030041-RS	4	M3 x 4 for securing HDD
M4 Screw Pack	44033-040061-RS	4	M4 x 4 for VESA screw
I/O Bracket	41013-0290C2-00-RS	1	I/O Bracket
Temperature Sensor Cable	32133-004300-100-RS	1	
Pen	43125-0002C0-00-RS	1	For Resistive Touch

CD-RW/DVD-RW Driver Spec.

The drive is able to write CD-R/RW disks, DVD+R/RW disks and DVD-R/RW disks

Drive Type	Internal Slim CD-RW/DVD Combo Drive	
Data Transfer Rate	Write: DVD+R/DVD+RW/DVD-R: 8X DVD-RW: 6X CD-R/CD-RW: 24X	Read: DVD-ROM: 8X CD-ROM: 24X
Interface	SATA	
Buffer Memory	2MB	

1

IEI Mobile Solutions

2

Automation Panel Solutions

3

PACsmate Medical Solutions

4

Optional Peripherals

Function Keys

- Fn**
- Backlight On/Off** **RFID enable / disable**
- Audio -** **Audio mute**
- Audio +** **Camera enable / disable**
- Brightness -** **Front side Mini USB&MicroSD enable / disable**
- Brightness +** **Power on / off**

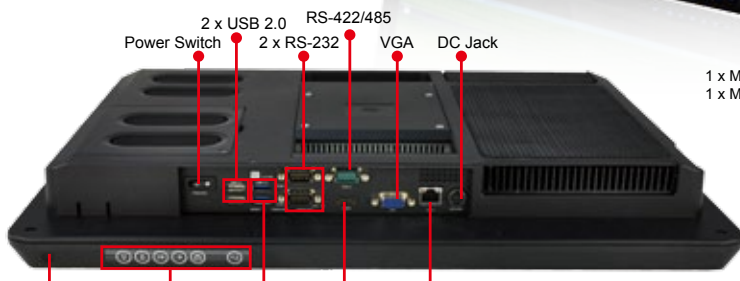


- Mic, Line-out
- 1 x USB 2.0
- 1 x GbE LAN



Micphone

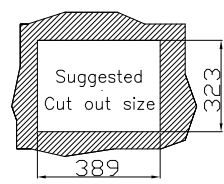
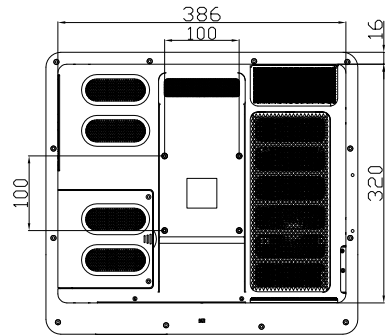
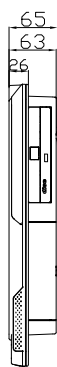
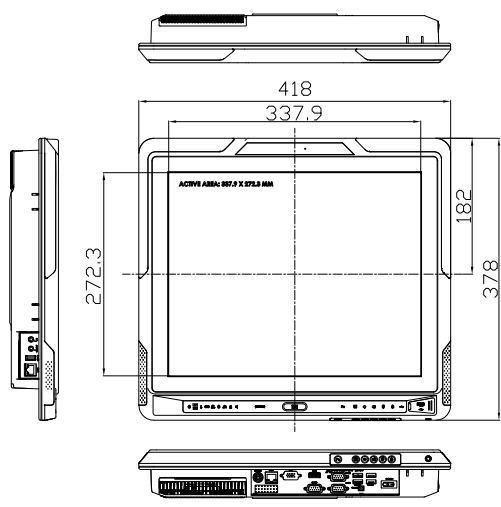
- 1 x Mini USB port
- 1 x MicroSD card slot



- 2 x USB 2.0
- RS-422/485
- VGA
- DC Jack
- Power Switch
- 2 x RS-232
- Hot Keys
- 2 x USB 3.0
- HDMI
- GbE LAN
- Type K thermocouple temperature sensor

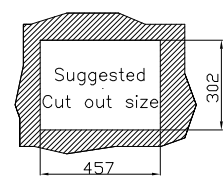
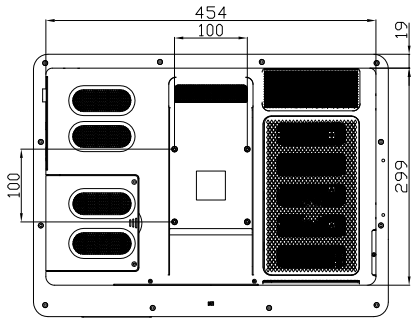
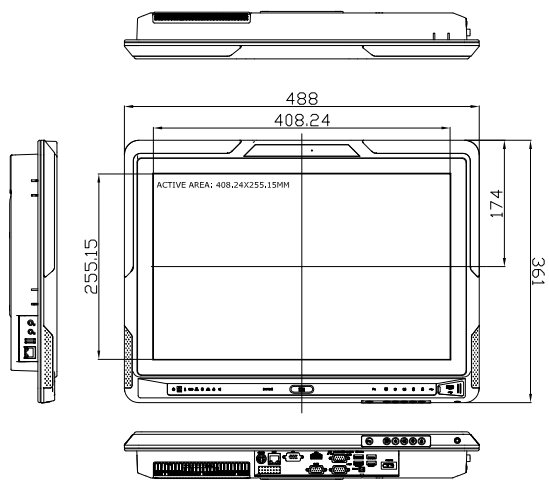
AFL2-17A-H61 Dimensions

(Unit: mm)



AFL2-W19A-H61 Dimensions

(Unit: mm)



1

IEIMobile Solutions

2

Automation Panel Solutions

3

PACSmate Medical Solutions

4

Optional Peripherals

IBS-19A Series

19" Interactive Panel PC features Intel® Core™ i5/i3 Processor



Features

- Best price and high-performance Intel® Core™ i5/i3 processor
- Easy cleaning and maintenance in Medical environment
- Feature-rich bedside applications for patients
- Professional point-of-care features for clinician
- Innovative LED dash light system for efficient visual management
- Easy installation with flexible mounting and cabling



Specifications

Model		IBS-19A	
CPU		Intel® Core™ i5 - 2390T 2.7GHz Intel® Core™ i3 - 21xxT above 2.5GHz Intel® Pentium® - G6xxT above 2.2GHz	
Chipset		Intel® H61 Express Chipset	
RAM Slot		Two DDR3 1333MHz SDRAM SO-DIMMs System max. 4GB	
Display	LCD Size	19"	
	Resolution	1280 x 1024	
	Brightness (nits)	300	
	Backlight	LED	
	Contrast Ratio	2000	
	Viewing Angle	89/89/89/89	
	Operation Lifetime (Hrs)	50000	
	Gamma Table	Grayscale Mode - DICOM GSDF Clear Base 6500K Grayscale Mode - DICOM GSDF Blue Base 9300K Color Mode - Gamma 2.2 6500K Color Mode - DICOM GSDF Clear Base 6500K Color Mode - Gamma 2.2 9300K Color Mode - DICOM GSDF Blue Base 9300K	
Touch Screen		5-wire resistive type	
Wireless	Wi-Fi	802.11a/b/g/n dual-band 2.4Ghz/5Ghz Telec certified	
Drive Bay	HDD	1 x 2.5" SATA HDD	
	ODD	1 x Slim DVD RW 24x	
I/O Ports	Backward I/O Set	1 x External power switch connector 1 x RS-422/485 1 x RS-232	1 x USB 2.0 1 x GbE LAN RJ-45 1 x Mic-in
	Downward I/O Set	2 x RJ-45 GbE LAN 1 x HDMI 2 x USB 2.0	1 x Line-out 1 x AT/ATX Switch 1 x Reset Button
Audio/Video	Webcam	1280 x 1024 CMOS camera	
	Microphone	Stereo	
	Speakers	2 x 3W	
	Handset	Optional handset with speaker and microphone	
LED Dash Light	Digital TV Tuner	Optional DVB-T by project case	
	Upper	26 x true color LED	
	Left	20 x true color LED	
	Right	20 x true color LED	
OSD Key		6-key touch sensor pad Programmable Fn key	
RFID		Optional Mifare 13.56Mhz RFID reader	
Smart Card Reader		Optional ISO7816-1,2,3 card reader	
Remote control		Infrared remote control for display OSD	
Power	DC Input	9~28 V DC	
	External Adaptor	130W 90~264 V@AC to 12V@DC	
IP Level	Front Panel	IP 64	
Environmental Condition	Operating Temp.	0°C ~ 40°C	

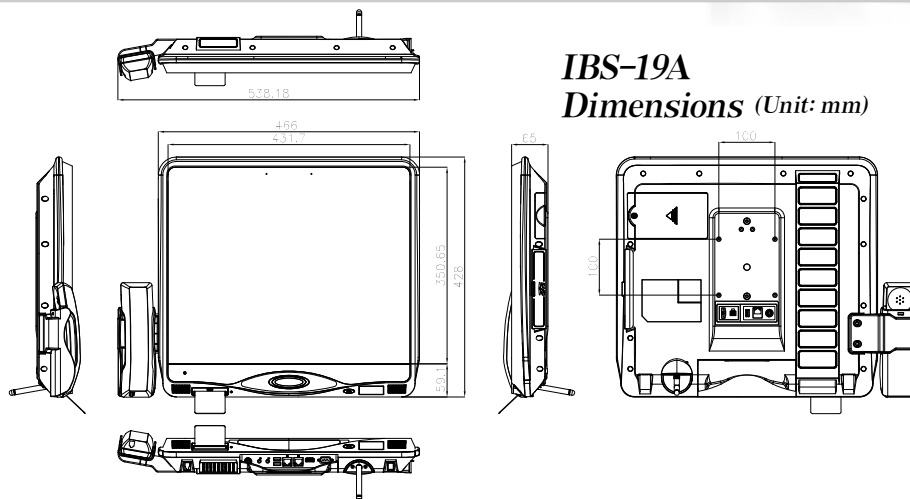
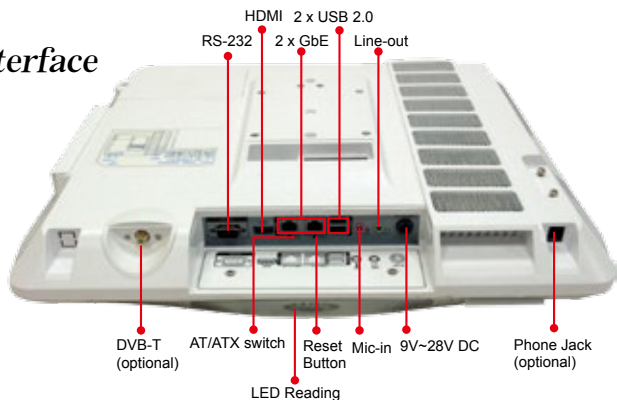
1
IEI Mobile Solutions

2
Automation Panel Solutions

3
PACsmate Medical Solutions

4
Optional Peripherals

Rich I/O Interface



IBS-19A
Dimensions (Unit: mm)

Options

Item	Part No.	Item	Part No.
Handset	IBSOPT-HS-R10	Smart Card Reader	IBSOPT-SCR-R10
Mifare RFID Reader	IBSOPT-RFID-R10	Arm	ARM-31-RS
Wall Mounting Kit	AFLWK-19B	Stand	STAND-300SW-RS/STAND-A19/STAND-A21-R10/STAND-C19

Packing List

Item	Part No.	Q'ty	Description
Utility CD	7B000-000773-RS	1	Drivers and User Manual
Power Adapter	63040-010120-010-RS	1	PMP120-13-2, 90~264VAC Input, 120W, 19VDC output
Power Cord	32702-000200-100-RS	1	European, 1830mm
Pen	43125-0002C0-00-RS	1	For Resistive Touch
Mounting Bracket	41120-0310C0-00-RS	1	Mount Bracket
Infrared Remote Controller	7Z000-SLPCB005-RS	1	

Ordering Information

Part No.	Description
IBS-19A3L-P/2G/32G-R10	19" Interactive Panel PC, Intel® H61 platform, with Pentium® G6xxT CPU (2.2GHz above), TDP 35W, 2GB DDR3 RAM, 320GB HDD, Wireless 802.11a/b/g/n, Touchscreen, Slim DVD-RW, AC to DC 19V Power Adapter, R10.
IBS-19A3D-P/2G/32G-R10	19" Interactive Panel PC, Intel® H61 platform, with Pentium® G6xxT CPU (2.2GHz above), TDP 35W, 2GB DDR3 RAM, 320GB HDD, Wireless 802.11a/b/g/n, Touchscreen, Slim DVD-RW, AC to DC 19V Power Adapter, DICOM GSDF Calibrated, R10.
IBS-19A3S-P/2G/32G-R10	19" Interactive Panel PC, Intel® H61 platform, with Pentium® G6xxT CPU (2.2GHz above), TDP 35W, 2GB DDR3 RAM, 320GB HDD, Wireless 802.11a/b/g/n, Touchscreen, Slim DVD-RW, LED Dash Light, RFID, Smart Card Reader, AC to DC 19V Power Adapter, R10.
IBS-19A3L-i3/2G/32G-R10	19" Interactive Panel PC, Intel® H61 platform, Core™ i3 21xxT (2.5GHz above), TDP 35W, 2GB DDR3 RAM, 320GB HDD, Wireless 802.11a/b/g/n, Touchscreen, Slim DVD-RW, AC to DC 19V Power Adapter, R10.
IBS-19A3D-i3/2G/32G-R10	19" Interactive Panel PC, Intel® H61 platform, Core™ i3 21xxT (2.5GHz above), TDP 35W, 2GB DDR3 RAM, 320GB HDD, Wireless 802.11a/b/g/n, Touchscreen, Slim DVD-RW, AC to DC 19V Power Adapter, DICOM GSDF Calibrated, R10.
IBS-19A3S-i3/2G/32G-R10	19" Interactive Panel PC, Intel® H61 platform, Core™ i3 21xxT (2.5GHz above), TDP 35W, 2GB DDR3 RAM, 320GB HDD, Wireless 802.11a/b/g/n, Touchscreen, Slim DVD-RW, LED Dash Light, RFID, Smart Card Reader, AC to DC 19V Power Adapter, R10.
IBS-19A3L-i5/2G/32G-R10	19" Interactive Panel PC, Intel® H61 platform, Core™ i5 2390T 2.7GHz, TDP 35W, 2GB DDR3 RAM, 320GB HDD, Wireless 802.11a/b/g/n, Touchscreen, Slim DVD-RW, AC to DC 19V Power Adapter, R10.
IBS-19A3D-i5/2G/32G-R10	19" Interactive Panel PC, Intel® H61 platform, Core™ i5 2390T 2.7GHz, TDP 35W, 2GB DDR3 RAM, 320GB HDD, Wireless 802.11a/b/g/n, Touchscreen, Slim DVD-RW, AC to DC 19V Power Adapter, DICOM GSDF Calibrated, R10.
IBS-19A3S-i5/2G/32G-R10	19" Interactive Panel PC, Intel® H61 platform, Core™ i5 2390T 2.7GHz, TDP 35W, 2GB DDR3 RAM, 320GB HDD, Wireless 802.11a/b/g/n, Touchscreen, Slim DVD-RW, LED Dash Light, RFID, Smart Card Reader, AC to DC 19V Power Adapter, R10.

1

IEIMobile Solutions

2

Automation Panel Solutions

3

PACSmate Medical Solutions

4

Optional Peripherals

AFL2-W21A-H61

Intel® Core™ i7/i5/i3 and Pentium® Processor

IEI designed a completely new model for its new AFOLUX GEN II Panel PCs. AFL2-W21A-H61 with exclusive LED light bar function combining

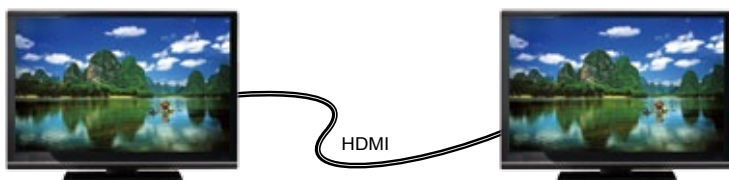
Features

- Two 204-pin DDR3 SO-DIMM slot (system max. 16GB) pre-installed with 4GB (2GB x 2)
- Projected capacitive touchscreen supported
- Wi-Fi 802.11b/g/n 2T2R high speed wireless
- EM or Mifare RFID reader
- Programmable colorful LED light bar
- Built-in two 3W speakers and microphone
- Auto dimming control
- Light fanless design
- Wide range 9~36 VDC input



Full HD Second Display Through HDMI Interface

Full-HD 1080p (1920x1080) reacts the resolution of panel, which is a set of high-definition video modes with 1920 of horizontal resolution and 1080 of vertical resolution. Widescreen aspect ratio of 16:9 supports perfect display sight, with brighter digital display.



1920 lines of horizontal resolution supporting a 16:9 ratio to perform perfect display sight.

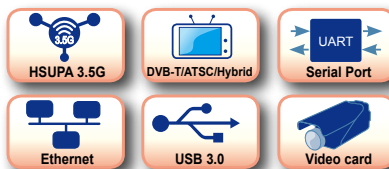
IEI Customized Expansion

Standard Connector Type Easy to Design Expansion Module

The AFL2-W21A-H61 can customize the expansion board depending on user's necessary. Customer can choose digital TV, 3G, video capturing...and so on.

Features

- Reliable board to board connection
- IEI provides ODM service which customize boards of user's demand.



Use one system in different markets!

Digital TV



Kiosk System

3G/3.75G



Mobile Broadcasting System

4-Port Video Capture



Surveillance System

1

IEI Mobile Solutions

2

Automation Panel Solutions

3

PACsmate Medical Solutions

4

Optional Peripherals

Specifications

Model		AFL2-W21A-H61		
LCD Specifications	LCD Display	W21.5" (16:9)		
	Max Resolution	1920 (W) x 1080 (H)		
	Brightness (cd/m ²)	250		
	Contrast Ratio	1000 : 1		
	LCD Color	16.7M		
	Pixel Pitch (mm)	0.248 mm x 0.248 mm		
	Viewing Angle (H-V)	170° / 160°		
Touch	Backlight MTBF (Hrs)	30000 (LED backlight)		
	Touch Screen	projected capacitive type with USB interface		
System	Touch Controller	EETI EXC7200 & EXC5404		
	CPU	Intel® Core™ i7/i5/i3 and Pentium® processors		
	Chipset	Intel® H61		
	RAM	Support two 204-pin DDR3 SO-DIMM slot (max. 16GB) preinstalled with 4GB (2GB x 2)		
	Storage	1 x 2.5" SATA 3Gb/s HDD Bay		
	Optical Drive	1 x Slim Type DVD-ROM bay		
	Ethernet	Realtek RTL8111E PCIe GbE controller supporting ASF 2.0		
	Audio Codec	Realtek ALC892 HD Audio codec		
	Audio	Amplifier 3W + 3W		
	Webcam & Microphone	2-megapixel camera with low light function Digital Microphone		
	I/O Ports	2 x RS232 (DB9 Connector)		
		1 x RS422/485 COM Port (DB9 connector)		
		2 x GbE LAN (RJ-45 connector)		
		3 x USB 2.0		
		2 x USB 3.0		
		1 x HDMI		
		1 x VGA port (DB-15 Connector)		
		1 x Power switch		
		1 x Reset button		
1 x AT/ATX switch				
1 x Clear CMOS button				
Expansion Interface	1 x Type K			
	1 x 9~36V DC jack			
	1 x Line out			
	1 x Mic			
Expansion Interface		1 x PCIe Mini for Wi-Fi Module 1 x PCIe Mini reserved		
Cooling System		Light Fanless		
Other Features	EM and Mifare RFID	Optional: EM 125 KHz or Mifare 13.56 MHz card reader		
	LED Light Bar	Programmable R/G/B colorful LED light bar (SMBus Control)		
	Function Key	6 x function keys: Key1 Backlight On/Off Key2 Audio - Key3 Audio + Key4 Brightness - Key5 Brightness+ Key6 Fn Combinations: Fn+Key1 RFID Enable/Disable Fn+Key2 Audio Mute Fn+Key3 Camera Enable/Disable Fn+Key5 Power ON/OFF		
		Infrared	IR receiver 38KHz	
		Light Sensor	Ambient light sensor for panel brightness adjustment	
		TPM	Reserved by pin-header	
		OS Support	OS Support Windows Embedded Standard 7 Windows XP Embedded,	
	Connectivity	Wireless	IEEE 802.11b/g/n 2T2R module (WIFI-RT5392-SB-R10) Telec certified	
		Bluetooth	Bluetooth V2.0+EDR with USB interface (optional)	
	Physical	Construction Material	PC + ABS plastic for front cover and rear cover	
Mounting		Wall, Stand and VESA 100 mm x 100mm		
Enclosure Color		Sliver + Black		
Dimension (mm)		546.85 (W) x 345.82 (H) x 70.35 (D)		
Weight (Net/Gross)		8.27 Kg / 11.27 Kg		
Environment	Operating Temperature (with air flow)	-10°C ~ 50°C		
	Storage Temperature	-20°C ~ 60°C		
	Humidity	10% to 90% (non-condensing)		
	IP Level	IP 64 compliant front panel		
	Safety and EMC	CE & FCC		
Power	Power Adapter	120W power adapter Input: 100 V AC ~ 240 V AC, 50 / 60Hz, Output: 19 V DC		
	Power Input	9 ~ 36V DC-IN		
	Power Consumption	19V@3.82A (Intel® Core™ i3-2120T processor with 4GB DDR3 memory)		

1

IEIMobile Solutions

2

Automation Panel Solutions

3

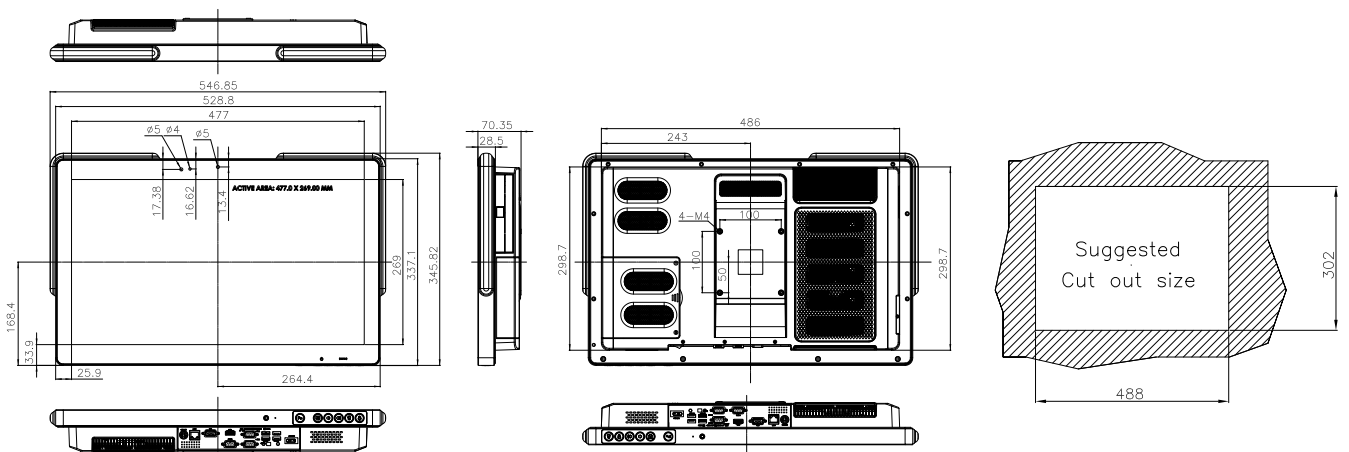
PACSmate Medical Solutions

4

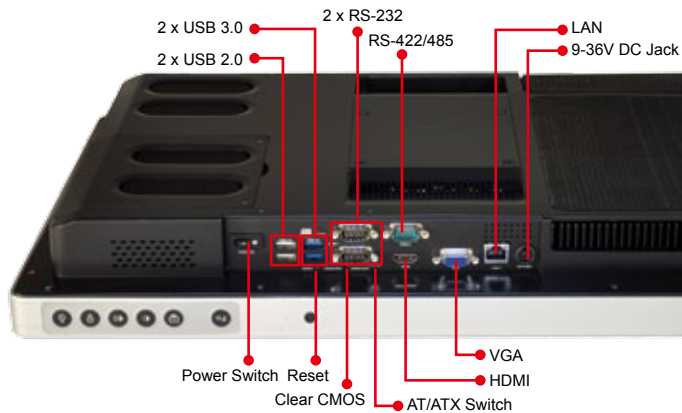
Optional Peripherals

AFL2-W21A-H61

Dimensions (Unit: mm)



Rich I/O Interface



- Fn
- Backlight On/Off
- Audio -
- Audio +
- Brightness -
- Brightness +
- RFID Enable/Disable
- Audio Mute
- Camera Enable/Disable
- Power On / Off

Options

Item	AFL2-W21A-H61
Panel Mount Kit	AFL2PK-W21A
Wall Mounting Kit	AFLWK-19B
Stand	STAND-A21-R10
ARM	ARM-31-RS
Slim DVD Burner Installation Kit (Including SATA Cable)	AFL2-DVD-KIT01-R10
Magnetic Stripe Reader	AFL2P-21AMSR-U-R10
Bluetooth Module Kit	AFL2-BT-KIT01-R11
Trusted Platform Module (TPM)	TPM-IN01-R11
EM RFID Reader	AFL2-EM-RFID-KIT01-R10
Mifare RFID Reader	AFL2-MF-RFID-KIT01-R11
OS: Windows® XP Embedded (CD-ROM)	AFL2-W21-H61-XPE-R10
OS: Windows® Embedded Standard 7 (DVD-ROM)	AFL2-W21-H61-WES7P-R10
Temperature Sensor Cable	32133-004300-100-RS

Packing List

Item	P/N	Q'ty	Description
Utility CD	7B000-000952-RS	1	drivers and user manual
One Key Recovery CD	7B000-000781-RS	1	
Power Adapter	63000-FSP120AAB-RS	1	FSP120-AAB ; 90~264VAC input ; 120W ; 19VAC output (Meet PSE)
Power Cord	32702-000401-100-RS	1	European, 1500mm
Power Transfer Cord	32000-089400-RS	1	
Infrared Remote Controller	7Z000-SLPCB005-RS	1	
M3 Screw Pack	44013-030041-RS	4	M3 x 4 for securing HDD
M4 Screw Pack	44033-040061-RS	4	M4 x 4 for VESA screw

Ordering Information

LED Bar	Model	Description
LED Bar	AFL2-W21A-H61-i5/PC-R10	21.5" 250cd/m² FHD panel PC, Core i5 Dual Core 2xxxT CPU (Above 2.7GHz), TDP 35W, 4GB DDR3 (2GB x 2), 802.11b/g/n wireless module, projected capacitive touchscreen, 2M camera, microphone, R10
	AFL2-W21A-H61-i3/PC-R10	21.5" 250cd/m² FHD panel PC, Core i3 Dual Core 2xxxT CPU (Above 2.5GHz), TDP 35W, 4GB DDR3 (2GB x 2), 802.11b/g/n wireless module, projected capacitive touchscreen, 2M camera, microphone, R10
	AFL2-W21A-H61-P/PC-R10	21.5" 250cd/m² FHD panel PC, Pentium Dual Core G6xxT CPU (Above 2.2GHz), TDP 35W, 4GB DDR3 (2GB x 2), 802.11b/g/n wireless module, projected capacitive touchscreen, 2M camera, microphone, R10
Without LED Bar	AFL2-W21AB-H61-i5/PC-R10	21.5" 250cd/m² FHD panel PC, Core i5 Dual Core 2xxxT CPU (Above 2.7GHz), TDP 35W, 4GB DDR3 (2GB x 2), 802.11b/g/n wireless module, projected capacitive touchscreen, 2M camera, microphone, without LED bar, R10
	AFL2-W21AB-H61-i3/PC-R10	21.5" 250cd/m² FHD panel PC, Core i3 Dual Core 2xxxT CPU (Above 2.5GHz), TDP 35W, 4GB DDR3 (2GB x 2), 802.11b/g/n wireless module, projected capacitive touchscreen, 2M camera, microphone, without LED bar, R10
	AFL2-W21AB-H61-P/PC-R10	21.5" 250cd/m² FHD panel PC, Pentium Dual Core G6xxT CPU (Above 2.2GHz), TDP 35W, 4GB DDR3 (2GB x 2), 802.11b/g/n wireless module, projected capacitive touchscreen, 2M camera, microphone, without LED bar, R10

1

IEI Mobile Solutions

2

Automation Panel Solutions

3

PACsmate Medical Solutions

4

Optional Peripherals

AFOLUX Panel PC

AFOLUX PPC

- 5.7"~19" multi-functional all-in-one Panel PCs
- Streamlined plastic housing
- Water and dust resistance IP 64 front panel protection
- Industrial grade operating temperature

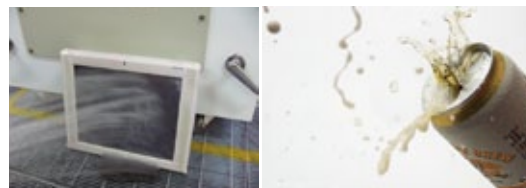


Affordable Luxury for You~

AFOLUX is designed to provide versatile, cost-effective solutions to meet the growing demand emerging from semi-industrial computing markets. From clinical to factory environments, restaurants to schools, and entertainment to surveillance devices, AFOLUX is your ultimate choice to fulfill a wide spectrum of applications.

A. IP 64 Water and Dust Proof Protection

The AFOLUX front panel is IP64 compliant which protects the screen against damage from liquid or dust. Extend the lifetime of your products!



B. Variety Multimedia Functions

Low Light Camera, Microphone and Speaker



High resolution video camera



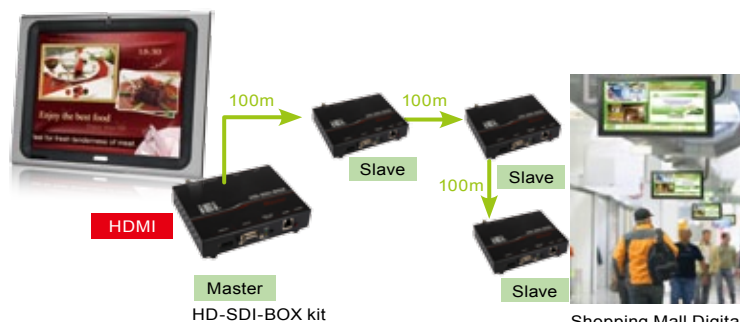
Built-in stereo speakers



Sensitive Microphone

HD Hardware Decoder and HDMI Output

Integrated Radeon HD3200 graphic core supports UVD- VC-1, MPEG2, and H.264/AVC full HD decoder. Through HDMI output to HD-SDI-BOX-kit, HD content can be transmitted up to 100 meters for a long distance digital signage application.

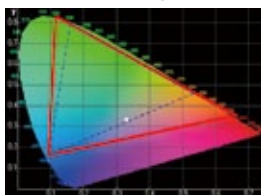


C. LED Backlight Panel Equipped



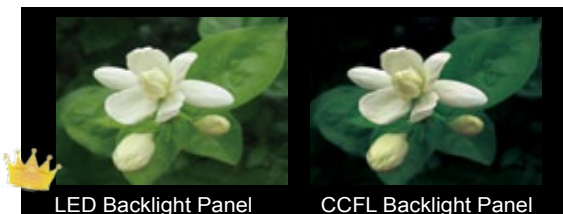
LED Backlight

Color Gamut Comparison



— LED
- - - Normal CCFL

Vivid and High Contrast Image



Enhancement of image quality on LCD screen

- Wider color gamut
- More even screen illumination
- Longer display life
- Low temperature operation and greater power efficiency

Thus LED backlight makes the image color shown on the LCD screen look nature and vivid.

1

IEIMobile Solutions

2

Automation Panel Solutions

3

PACSmate Medical Solutions


4

Optional Peripherals


D. Wireless Capabilities

Local-based Communication

Easy to deploy, no network cables is needed. Reduce your setup cost and lead time.




802.11b/g



Streaming music
Streaming video

802.11n



No spaces in between items:
VoIP/Gaming/NAS

Peripheral Communication

It is easy to operate and connect input devices and peripherals when the Panel PC is mounted to a rack or a kiosk.




Long-range Mobile Communication

High mobility without any hot spot limitation.

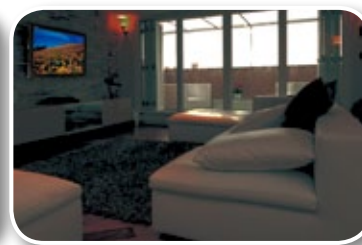
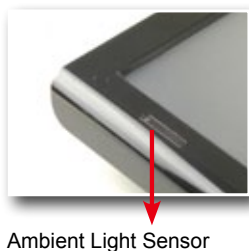
Real-Time Data Communication




E. Auto Dimming and OSD Remote Control

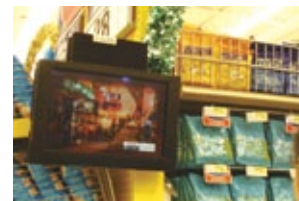
Built-in Ambient Light Sensor

- Power Consumption Saving
- Comfortable Viewing Brightness
- Extend Product Lifetime



OSD Remote Control

Brightness and volume control wherever the system is located.



F. Multiple and Expandable Storage



	CF card	SATA Slim SSD	2.5" SSD	Hard Disk	Optical Disk
Cost	High	High	High	Medium	Low
Data Transfer Rate	Read-40MB/sec. Write-20MB/sec.	Read-90MB/sec. Write-60MB/sec.	Read-230MB/sec. Write-160MB/sec.	Read-110MB/sec. Write-110MB/sec.	Read-32.4MB/sec. Write-10MB/sec.
Capacity	128MB~16GB	1GB~16GB	8GB~128GB	80GB~1TB	680MB~50GB
Application	Operating System, Application Program	Operating System, Application Program	Operating System, Application Program	Operating Data, Media Data	Media Data, Backup Data...

Models	CF Card	SATA Slim SSD	2.5" Storage Bay	Slim Type ODD
AFL2-W15A-N270	V	V	V	--
AFL-15i/17i/19i-HM55	--	V	V	--
AFL-17D	V	V	V	V
AFL-W15A/W19A	V	V	V	--
AFL-057A-Z510/Z530				
AFL-07A/08AH/F08A/08B/ W10A-N270	V	--	--	--
AFL-408A/408B/W410A-N270				
AFL-057A/07A/08AH/10A-LX				
AFL-10A/12A/15A-N270	V	V	V	--
AFL-412A				
AFL-12A-LX	V	--	V (IDE Interface)	--

1
IEI Mobile Solutions

2
Automation Panel Solutions

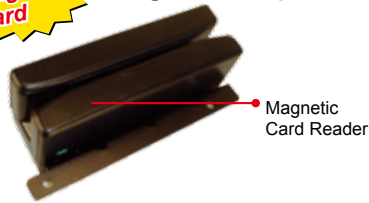
3
PACsmate Medical Solutions

4
Optional Peripherals

G. Optional Magnetic Stripe Card



Magnetic Stripe Reader



Convenient cable location



Back mounting holes designed for the bracket kit

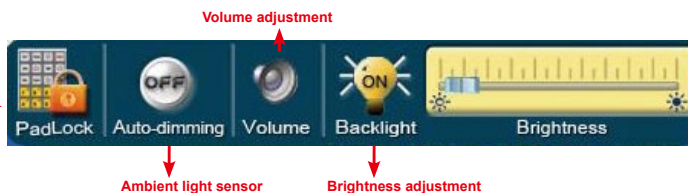


P/N	AFLP-12BMSR-U / AFLP-17AMSR-U
General	90 mm Magnetic Stripe Reader Programming: By Software Download Program Card Standard: ANSI , ISO , ABA Track Read: ISO 1,2,3 (IATA,ABA,THRIFT/MINTS), JISII100-1000mm/sec
Electrical	Voltage:DC+5V, +/-5% Reading Indicator:Beeper
Environment	Operating Temperature: 0°C to 40°C Relative Humidity: 20% to 85 % (Non-condensing)
Physical	Cable: Straight 2.5ft Weight: Approx.61g
Interface	USB

H. OSD Control Software



IEI patented system software utility allows users to adjust system settings through the software interface in Windows environment instead of pressing the membrane keypad below the front panel.



I. Selectable AT/ATX Power Mode

AT Power Mode

Applications

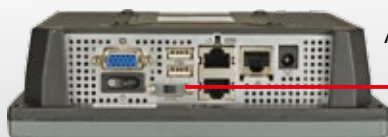
- ATM
- Self-service kiosk
- Plant environment monitoring system
- Factory automation platform
- Manufacturing shop flow

Advantages

- Easy to turn on/off with wall/panel mounting
- Automatic start when power connected

With the AT mode selected, the power is controlled by a central power unit rather than a power switch. The AFOLUX PPCs turns on automatically when the power is connected.

Convenient Power Mode Setting



AT/ATX switch on the rear panel

AT/ATX

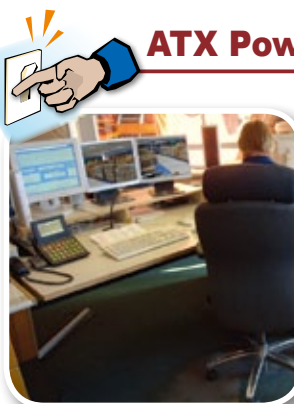
ATX Power Mode

Applications

- Security surveillance
- Advertising terminal

Advantages

- Power management
- Remote control via network advantage



With the ATX mode selected, the AFL series panel PC goes in a standby mode when it is turned off. The panel PC can be easily turned on via network or a power switch in standby mode. Remote power control is perfect for advertising applications since the broadcasting time for each panel PC can be set individually and controlled remotely.



AT/ATX switch is located at the bottom right on the aluminum chassis

1

IEIMobile Solutions

2

Automation Panel Solutions

3

PACSmate Medical Solutions

4

Optional Peripherals

AFOLUX 5.7"~8" Selection Guide



LCD Size		5.7"	7"			8.0"	
Model		AFL-057A-LX	AFL-07A-LX	AFL-07A-N270	AFL-W07A-N26	AFL-08B-N270	AFL-F08A-N270
Display	LCD Size	5.7"	Wide 7"			8.0"	
	Max Resolution (WxH)	640 x 480	800 x 480			800 x 600	
	Brightness (cd/m ²)	400	500			250	
	Contrast Ratio	300:1	400:1			400:1	
	LCD Color	262K	262K			262K	
	Pixel Pitch (mm) (HxV)	0.06 (H) x 0.18 (V)	0.0635 (H) x 0.1905 (V)			0.2025 (H) x 0.2025 (V)	
	Viewing Angle (H/V)	140°/100°	140°/110°			140°/ 130°	
	Backlight MTBF (hrs)	50000 (LED backlight panel)	50000 (LED backlight panel)			30000 (LED backlight panel)	
Motherboard	CPU	AMD Geode LX800 500MHz Processor	AMD Geode LX800 500MHz Processor	Intel® Atom™ Processor N270 1.6GHz CPU	Intel® Atom™ N2600 dual core 1.6 GHz CPU	Intel® Atom™ Processor N270 1.6GHz CPU	
	Chipset	AMD Geode LX800 + AMD CS5536	AMD Geode LX800 + AMD CS5536	Intel® 945GSE + ICH7M	Intel® NM10	Intel® 945GSE + ICH7M	
	RAM	One 200-pin DDR SO-DIMM (max. 1GB)	One 200-pin DDR SO-DIMM (max. 1GB)	One 200-pins DDR2 SO-DIMM (max. 2GB)	One 800 MHz 204-pin DDR3 SO-DIMM slot (max. 2G) pre-installed with 2GB	One 200-pin DDR2 SO-DIMM (max. 2GB)	
I/O Ports and Switches		1 x RS-232 COM Port (RJ-45) 1 x RS-232/422/485 COM Port (RJ-45) 1 x RJ-45 for 10/100Mbps LAN 2 x USB 2.0 1 x Power Switch 1 x Reset Button 1 x VGA Port 1 x Power Jack	1 x RS-232 COM Port (DB-9) 1 x RS-232/422/485 COM Port (DB-9) 2 x RJ-45 for 10/100Mbps LAN 2 x USB 2.0 1 x Power Switch 1 x Reset Button 1 x Power Jack 1 x Audio Jack (Line-out)	1 x RS-232 COM Port (DB-9) 1 x RS-232/422/485 COM Port (DB-9) 2 x RJ-45 for GbE LAN 2 x USB 2.0 1 x Power Switch 1 x Reset Button 1 x Power Jack 1 x Audio Jack (Line-out) 1 x External SATA	1 x 9-28V Lockable DC Jack 1 x RJ45 for RS-232 COM Port (DB-9) 1 x RS-232/422/485 1 x VGA 2 x GbE LAN 2 x USB 2.0 1 x Power switch 1 x Reset button 1 x AT/ATX switch 1 x Line out	1 x RS-232 COM Port (DB-9) 1 x RS-232/422/485 COM Port (DB-9) 2 x RJ-45 for GbE LAN 2 x USB 2.0 1 x Power Switch 1 x Reset Button 1 x Power Jack 1 x Audio Jack (Line-out) 1 x External SATA	
CF		CF Type II			mSATA	CF Type II	
Wireless Connection	Wi-Fi	IEEE 802.11 b/g (internal USB)	IEEE 802.11 b/g (internal Mini PCI)	IEEE 802.11b/g/n (internal PCIe Mini card) Telec certified	IEEE 802.11b/g/n (internal PCIe Mini card) Telec certified	IEEE 802.11b/g/n (internal PCIe Mini card)	
Audio/Video Device	Camera Module	--	--			2-megapixel with Low Light Function	
	Microphone	--	--			yes	
Physical	Dimensions (WxHxD) (mm)	180 x 135 x 55	226 x 140 x 41			234 x 177 x 43	
	Net Gross Weight	0.8 Kg	0.8 Kg		0.6 Kg	0.8 Kg	1.8 Kg
System Cooling		Fanless					
Environment	Operation Temperature	0°C~50°C	0°C~50°C	-10°C~50°C	-10°C~50°C	-10°C~50°C	
	Storage Temperature	-20°C~60°C					
Power Requirement		12 VDC	12 VDC	12 VDC	9-28V DC	12 VDC	

AFOLUX 8"~12.1" Selection Guide



LCD Size		8.4"			Wide 10.2"	10.4"		
Model		AFL-08AH-LX	AFL-08AH-N270	AFL-08A-N26	AFL-W10A-N270	AFL-10A-N270	AFL-10A-N26	
Display	LCD Size	8.4 "			Wide 10.2"	10.4"		
	Max Resolution (WxH)	800 x 600			1024 x 600	800 x 600		
	Brightness (cd/m ²)	450			400	400		
	Contrast Ratio	600:1			400:1	600:1		
	LCD Color	262K			262K	262K		
	Pixel Pitch (mm) (HxV)	0.213 (H) x 0.213 (V)			0.2175 (H) x 0.2175 (V)	0.264 (H) x 0.264 (V)		
	Viewing Angle (H/V)	160°/140°			140°/ 110°	160°/140°		
Backlight MTBF (hrs)	50000 (LED backlight panel)			40000	50000 (LED backlight panel)			
Motherboard	CPU	AMD Geode LX800 500MHz Processor	Intel® Atom™ Processor N270 1.6GHz CPU	Intel® Atom™ N2600 dual core 1.6 GHz CPU	Intel® Atom™ Processor N270 1.6GHz CPU	Intel® Atom™ Processor N270 1.6GHz CPU	Intel® Atom™ N2600 dual core 1.6 GHz CPU	
	Chipset	AMD Geode LX800 + AMD CS5536	Intel® 945GSE + ICH7M	Intel® NM10	Intel® 945GSE + ICH7M	Intel® 945GSE + ICH7M	Intel® NM10	
	RAM	One 200-pin DDR SO-DIMM socket, (max. 1GB)	One 200-pins DDR2 SO-DIMM (max. 2GB)	One 800 MHz 204-pin DDR3 SO-DIMM slot (Max. 2GB) pre-installed with 2GB	One 200-pins DDR2 SO-DIMM (max. 2GB)	One 200-pins DDR2 SO-DIMM (max. 2GB)	One 800 MHz 204-pin DDR3 SO-DIMM slot (Max. 2GB) pre-installed with 2GB	
I/O Ports and Switches		1 x RS-232 COM Port (DB-9) 1 x RS-232/422/485 COM Port (DB-9) 2 x RJ-45 for 10/100Mbps LAN 2 x USB 2.0 1 x Power Switch 1 x Reset Button 1 x Power Jack 1 x Audio Jack (Line-out)	1 x RS-232 COM Port (DB-9) 1 x RS-232/422/485 COM Port (DB-9) 2 x RJ-45 for GbE LAN 2 x USB 2.0 1 x Power Switch 1 x Reset Button 1 x Power Jack 1 x Audio Jack (Line-out) 1 x External SATA	1 x 9-28V lockable DC Jack 1 x RJ-45 for RS-232 1 x RS-232/422/485 1 x VGA 2 x GbE LAN 2 x USB 2.0 1 x Power switch 1 x Reset button 1 x AT/ATX switch 1 x Line out	1 x RS-232 COM Port (DB-9) 1 x RS-232/422/485 COM Port (DB-9) 2 x RJ-45 for GbE LAN 2 x USB 2.0 1 x Power Switch 1 x Reset Button 1 x Power Jack 1 x Audio Jack (Line-out) 1 x External SATA	1 x RS-232 COM Port (DB-9) 1 x RS-232/422/485 COM Port (DB-9) 2 x RJ-45 for GbE LAN 2 x USB 2.0 1 x Power Switch 1 x Reset Button 1 x Power Jack 1 x Audio Jack (Line-out) 1 x External SATA	1 x 9-28V lockable DC Jack 1 x RJ-45 for RS-232 1 x RS-232/422/485 1 x VGA 2 x GbE LAN 2 x USB 2.0 1 x Power switch 1 x Reset button 1 x AT/ATX switch 1 x Line out	
	Drive Bay Storage	HDD	--	--	--	--	--	mSATA
	CF	CF Type II			mSATA	CF Type II	CF Type II	--
Wireless Connection	Wi-Fi	IEEE 802.11 b/g (internal Mini PCI)	IEEE 802.11 b/g (internal Mini PCI)	IEEE 802.11 b/g (internal Mini PCI) Telec certified	IEEE 802.11 b/g (internal Mini PCI)	IEEE 802.11 b/g (internal Mini PCI)	IEEE 802.11 b/g (internal Mini PCI) Telec certified	
Audio/Video Device	Camera Module	--	--	--	2-megapixel with Low Light Function	--	--	
	Microphone	--	--	--	Yes	--	--	
Physical	Dimensions (WxHxD) (mm)	234 x 134 x 42			280 x 186 x 49	276 x 222 x 51	276 x 222 x 51	
	Net Gross Weight	0.8 Kg			1.4 Kg	1.4 Kg		
System Cooling				Fanless				
Environment	Operation Temperature	0°C~50°C	-10°C~50°C	-10°C ~50°C	-10°C~50°C	-10°C~50°C	-10°C ~50°C	
	Storage Temperature	-20°C~60°C						
Power Requirement		12VDC	12VDC	9-28V DC	12VDC	12VDC	9-28V DC	

1

IEIMobile Solutions

2

Automation Panel Solutions

3

PACSmate Medical Solutions

4

Optional Peripherals

AFOLUX 12" ~Wide 15.6" Selection Guide



LCD Size		12.1"			15"		Wide 15.6"
Model		AFL-12A-LX	AFL-12A-N270	AFL-12A-N26	AFL-15A(E)-N270	AFL-15i(E)-HM55	AFL-W15A-N270
Display	LCD Size	12.1"			15"		15.6"
	Max Resolution (WxH)	1024 x 768			1024 x 768		1366 x 768
	Brightness (cd/m ²)	500			400 or 250		300
	Contrast Ratio	700:1			700:1		500:1
	LCD Color	262K			262K		262K
	Pixel Pitch (mm) (HxV)	0.240 (H) x 0.240 (V)			0.297 (H) x 0.297 (V)		0.297 (H) x 0.297 (V)
	Viewing Angle (H/V)	160°/160°			160°/140°		170°/160°
	Backlight MTBF (hrs)	50000 (LED backlight panel)			50000 (LED backlighting) or 30000		50000 (LED backlighting)
Motherboard	CPU	AMD Geode LX800 500MHz Processor	Intel® Atom™ Processor N270 1.6GHz CPU	Intel® Atom™ N2600 dual core 1.6 GHz CPU	Intel® Atom™ Processor N270 1.6GHz CPU	Intel® Celeron® M P4500 CPU	Intel® Atom™ Processor N270 1.6GHz CPU
	Chipset	AMD Geode LX800 + AMD CS5536	Intel® 945GSE + ICH7M	Intel® NM10	Intel® 945GSE + ICH7M	Intel® HM55	Intel® 945GSE + ICH7M
	RAM	One 200-pin DDR SO-DIMM (max. 1GB)	One 200-pins DDR2 SO-DIMM (max. 2GB)	One 800 MHz 204-pin DDR3 SO-DIMM slot (Max. 2GB) pre-installed with 2GB	One 200-pins DDR2 SO-DIMM (max. 2GB)	Two 204-pins DDR3 SO-DIMM (max. 8GB)	One 200-pins DDR2 SO-DIMM (max. 2GB)
I/O Ports and Switches		2 x RS-232 COM Port (pin 9 with RI, 5V or 12V switch selectable) 1 x RJ-45 for 10/100Mbps LAN 2 x USB 2.0 1 x Power Switch 1 x Reset Button 1 x Power Jack 1 x RJ-12 for Cash Drawer (12V)	1 x RS-232 COM Port (DB-9) 1 x RS-232/422/485 COM Port (DB-9) 2 x RJ-45 for GbE LAN 2 x USB 2.0 1 x Power Switch 1 x Reset Button 1 x Power Jack 1 x Audio Jack (Line-out) 1 x External SATA	1 x 9-28V lockable DC Jack 1 x RJ-45 for RS-232 1 x RS-232/422/485 1 x VGA 2 x GbE LAN 4 x USB 2.0 1 x Power switch 1 x Reset button 1 x AT/ATX switch 1 x Line out	1 x RS-232 COM Port (DB-9) 1 x RS-232/422/485 COM Port (DB-9) 2 x RJ-45 for GbE LAN 4 x USB 2.0 1 x Power Switch 1 x Reset Button 1 x Power Jack 1 x Audio Jack (Line-out) 1 x VGA (DB-15)	1 x RS-232 COM Port (DB-9) 1 x RS-232/422/485 COM Port (DB-9) 2 x RJ-45 for GbE LAN 4 x USB 2.0 1 x Power Switch 1 x Reset Button 1 x Power Jack 1 x Audio Jack (Line-out) 1 x VGA (DB-15) 1 x HDMI Port	1 x RS-232 COM Port (DB-9) 1 x RS-232/422/485 COM Port (DB-9) 2 x RJ-45 for GbE LAN 4 x USB 2.0 1 x Power Switch 1 x Reset Button 1 x Power Jack 1 x Audio Jack (Line-out) 1 x VGA (DB-15)
Drive Bay	HDD	1 x 2.5" IDE HDD bay	1 x 2.5" SATA HDD bay	1 x 2.5" SATA HDD & 1 x mSATA SSD	1 x 2.5" SATA HDD bay	1 x 2.5" SATA HDD bay	1 x 2.5" SATA HDD bay
	CF	CF Type II	CF Type II	--	CF Type II	--	CF Type II
	CD-ROM	--	--	--	--	--	--
Wireless Connection	Wi-Fi	IEEE 802.11 b/g (internal Mini PCI)	IEEE 802.11b/g/n (internal PCIe Mini card)	IEEE 802.11b/g/n (internal PCIe Mini card) Telec certified	IEEE 802.11b/g/n (internal Mini PCI) Telec certified	IEEE 802.11b/g/n (internal PCIe Mini card) (AFL-15i-HM55 with telec certified)	IEEE 802.11b/g/n (internal Mini PCI) Telec certified
Audio/Video Device	Camera Module	--	--	--	--	--	2-megapixel
	Microphone	--	--	--	--	--	Yes
Physical	Dimensions (WxHxD) (mm)	304 x 246 x 56	304 x 246 x 50	304 x 246 x 50	394 x 309 x 61	394 x 309 x 66	400 x 273 x 63
	Net Gross Weight	1.8 Kg			3.2 Kg	5.8 Kg	3.3 Kg
System Cooling		Fanless			Fanless	Active with fan	Fanless
Environment	Operation Temperature	0°C~50°C	0°C~40°C with SATA HDD -10°C~50°C with CF card or SATA SSD	-10°C~50°C	0°C~40°C with SATA HDD -10°C~45°C with CF card or SATA SSD	0°C~50°C	0°C~40°C with SATA HDD -10°C~50°C with CF card or SATA SSD
	Storage Temperature	-20°C~60°C			-20°C~60°C	-20°C~60°C	-20°C~60°C
Power Requirement		12 VDC		9-28 VDC	12 VDC		

1
IEI Mobile Solutions

2
Automation Panel Solutions

3
PACsmate Medical Solutions

4
Optional Peripherals

AFOLUX 17"~19" Selection Guide



LCD Size		17"		19"	Wide 19"
Model		AFL-17D-N270	AFL-17i-HM55	AFL-19i-HM55	AFL-W19A-N270
Display	LCD Size	17"		19"	
	Max Resolution (WxH)	1280 x 1024		1440 x 900	
	Brightness (cd/m ²)	300	380	350	300
	Contrast Ratio	800:1		1000:1	1000:1
	LCD Color	16.7M		16.2M	
	Pixel Pitch (mm) (HxV)	0.264(H) x 0.264(V)		0.294 (H) x 0.294 (V)	0.285 (H) x 0.285 (V)
	Viewing Angle (H/V)	160°/160°		170°/160°	170°/160°
	Backlight MTBF (hrs)	50000		50000 (LED backlighting)	
Motherboard	CPU	Intel® Atom™ Processor N270 1.6GHz CPU	Intel® Celeron® M P4500 CPU"	Intel® Celeron® M P4500 CPU	Intel® Atom™ Processor N270 1.6GHz CPU
	Chipset	Intel® 945GSE + ICH7M	Intel® HM55	Intel® HM55	Intel® 945GSE + ICH7M
	RAM	One 200-pin DDR2 SO-DIMM (max. 2GB)	Two 204-pin DDR3 SO-DIMM (max. 8GB)	Two 204-pin DDR3 SO-DIMM (max. 8GB)	One 200-pin DDR2 SO-DIMM (max. 2GB)
	I/O Ports and Switches	1 x RS-232 COM Port (DB-9) 1 x RS-232/422/485 COM Port (DB-9) 2 x RJ-45 for GbE LAN 4 x USB 2.0 1 x Power Switch 1 x Reset Button 1 x Power Jack 1 x Audio Jack (Line-out) 1 x VGA (DB-15)	1 x RS-232 COM Port (DB-9) 1 x RS-232/422/485 COM Port (DB-9) 2 x RJ-45 for GbE LAN 4 x USB 2.0 1 x Power Switch 1 x Reset Button 1 x Power Jack 1 x Audio Jack (Line-out) 1 x VGA (DB-15) 1 x HDMI Port	1 x RS-232 COM Port (DB-9) 1 x RS-232/422/485 COM Port (DB-9) 2 x RJ-45 for GbE LAN 4 x USB 2.0 1 x Power Switch 1 x Reset Button 1 x Power Jack 1 x Audio Jack (Line-out) 1 x VGA (DB-15) 1 x HDMI Port	1 x RS-232 COM Port (DB-9) 1 x RS-232/422/485 COM Port (DB-9) 2 x RJ-45 for GbE LAN 4 x USB 2.0 1 x Power Switch 1 x Reset Button 1 x Power Jack 1 x Audio Jack (Line-out) 1 x VGA (DB-15)
Drive Bay	HDD	1 x 2.5" SATA HDD bay			
	CF	CF Type II	--	--	CF Type II
	CD-ROM	1 x Slim type ODD bay	--	--	--
Wireless Connection	WiFi	IEEE 802.11b/g/n (internal PCIe Mini card) Telec certified			
Audio/Video Device	Camera Module	300K pixels	--	--	300K pixels
	Microphone	Yes	--	--	Yes
Physical	Dimensions (WxHxD) (mm)	410 x 349 x 83	428 x 350 x 71	470 x 383 x 72	475 x 259 x 65
	Net Gross Weight	6.2 Kg	6.0 Kg	6.2 Kg	5.8 Kg
System Cooling		Fanless	Active with fan	Active with fan	Fanless
Environment	Operation Temperature	0°C~40°C with SATA HDD -10°C~50°C with CF card or SATA SSD	0°C~50°C	0°C~50°C	0°C~40°C with SATA HDD -10°C~50°C with CF card or SATA SSD
	Storage Temperature	-20°C~60°C			
Power Requirement		12 VDC			

1

IEIMobile Solutions

2

Automation Panel Solutions

3

PACSmate Medical Solutions

4

Optional Peripherals

5.7" VGA AFOLUX PPC

AFL-057A-LX

AMD Geode™ LX 800 500MHz Processor



Features

- 5.7" Panel PC with resistive touchscreen
- Lower power consumption and fanless operation
- One CompactFlash® slot
- IEI One Key Recovery solution for rapid OS backup and recovery (over 4 GB storage capacity recommended)
- IP 64 compliant front panel



Specifications

Model	AFL-057A-LX
LCD Size	5.7"
Max Resolution	640 (W) x 480 (H)
Brightness (cd/m²)	400
Contrast Ratio	300:1
LCD Color	262K
Pixel Pitch (mm)	0.06 (W) x 0.18 (H)
Viewing Angle (H-V)	140° / 100°
Backlight MTBF	50,000 hrs (LED Backlight)
SBC Model	AFLMB-LX2-800
CPU	AMD Geode™ LX 800 (500Mhz)
Chipset	AMD LX800 + AMD CS5536
RAM	Supports one 333MHz or 400MHz DDR SO-DIMM (Max.1GB)
I/O Ports	1 x RJ-45 for RS-232 COM port 1 x RJ-45 for RS-232/422/485 COM port 2 x USB 2.0 1 x RJ-45 for 10/100Mbps LAN 1 x VGA port 1 x Power switch 1 x Reset button 1 x Power jack
SSD	CF Type II
PoE Function	--
Watchdog Timer	Software programmable supports 1~255 sec. system reset
Audio	AMP 1.5W + 1.5W (internal speaker)
Wireless Connection	1 x Wireless LAN 802.11 b/g Module (internal USB interface)
Construction Front Panel	ABS + PC Plastic front frame /Aluminum die-casting body
LED Function	1 x LED on front panel for power on/off
Mounting	Panel, Wall, Rack, Stand or Arm mounting VESA 75mm x 75mm
Front Panel Color	Gray 7539U
Dimension (WxHxD) (mm)	180 x 135 x 55
Operation Temperature (°C)	0°C~50°C
Storage Temperature (°C)	-20°C ~ 60°C
N/G Weight	0.8 Kg
IP Level	IP 64 compliant front panel
Safety & EMC	CE / FCC
Touch Screen	4-Wire Resistive Type (touch controller IC is on board)
Power Adapter	P/N: 63000-FSP036RAB608-RS 36W Power Adapter Input: 90VAC~264VAC, 50/60Hz (Meet PSE) Output: 12VDC
Power Requirement	12VDC
Power Consumption	15W

1

IEI Mobile Solutions

2

Automation Panel Solutions

3

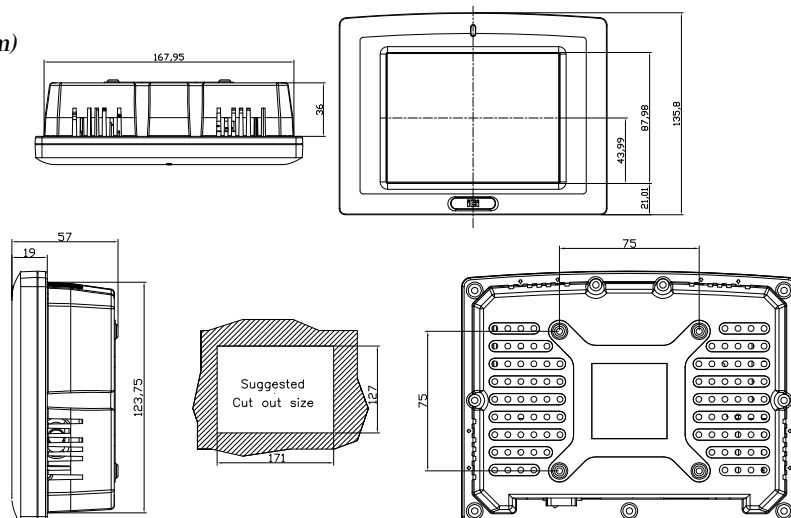
PACSmate Medical Solutions

4

Optional Peripherals

AFL-057A

Dimensions (Unit: mm)



AFL-057A-LX Aluminum die-casting rear cover with good heat dissipation!



Ordering Information

Part Number	Description
AFL-057A-LX/R/512M-R21	5.7" VGA fanless panel PC with AMD LX-800 CPU, AT/ATX mode, wireless module, touch screen and 512MB DDR RAM, R21

Options

Item		AFL-057A-LX
IQ Mount	Panel Mount Kit	AFLPK-12
	Wall Mount Kit	AFLWK-12
	Rack Mount Kit	AFLRK-057
	ARM	ARM-11-RS / ARM-31-RS
	Stand	STAND-B08-R10 / STAND-100-RS
	VSTAND	VSTAND-A07-R11
OS	Win XPE (1GB CF card)	AFLCF-057-LX-XPE-R10
	Win 7 Embedded (2GB CF card)	N/A
	Win CE 5.0 (128MB CF card)	AFLCF-057-LX-CE5-R10
	Win CE 6.0 (128MB CF card)	AFLCF-057-LX-CE6-R10
	Magnetic Stripe Reader	AFLP-08AMSR-U
Power Adapter	DC to DC converter module	IDD-930160-KIT
	DC 12V Input UPS	AUPS-A10-R1- (7.4V 3800mAH)
	DC 9~36V Input UPS	AUPS-A10-R1
Bluetooth	Bluetooth V2.0+EDR	AFL-BT-KIT03-R10

Packing List

Item	Part Number	Q'ty	Specification
Screw Pack	44013-030041-RS	4	M3,5mm
Power Adpater	63000-FSP036RAB608-RS	1	90~264V AC; 12V DC; 36W (Meet PSE)
Power Cord	32000-000002-RS	1	1750mm (EU or US, depending on the shipment country)
Utility CD	7B000-000087-RS	1	
Touch Pen	43125-0002C0-00-RS	1	
One Key Recovery CD		1	

1

IEIMobile Solutions

2

Automation Panel Solutions

3

PACSmate Medical Solutions

4

Optional Peripherals

7" Wide Screen WVGA AFOLUX PPC

AFL-07A-LX

AMD Geode™ LX 800 500 MHz Processor

AFL-07A-N270

Intel® Atom™ N270 1.6GHz Processor

AFL-W07A-N26

Intel® Atom™ N2600 1.6GHz Processor

9V ~ 28V Wide DC Power Input

The compact fanless AFL-W07A-N26 model with widescreen high-brightness panel is ideal for setup in a place where space and light is limited. This makes it an ideal choice for mobile and transportation PC applications.



Features

- 7" widescreen WVGA LED backlight TFT LCD with resistive touch screen
- 9V~28V wide range DC power input (for Intel® N2600 platform)
- Compact design with plastic housing
- Fanless cooling system
- Selectable AT/ATX power mode
- System memory up to 2 GB SDRAM
- Built-in 802.11b/g/n Wireless LAN
- Built-in speakers
- One compactFlash® slot
- IP 64 compliant front panel
- IEI One Key Recovery solution allows you to create rapid OS backup and recovery (suggest with over 4GB storage capacity)



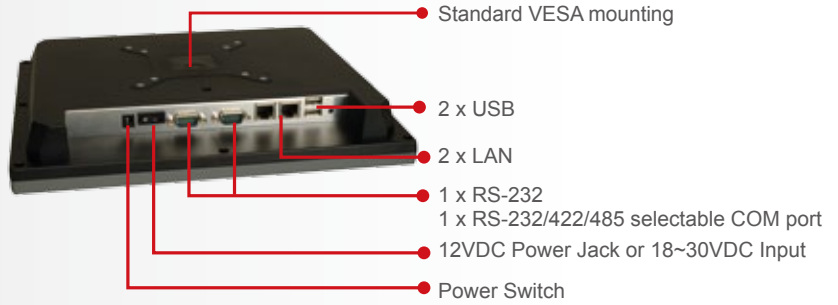
Specifications

Model	AFL-07A-LX	AFL-07A-N270	AFL-W07A-N26
LCD Size	7"		
Max Resolution	800 x 480		
Brightness (cd/m²)	500		
Contrast Ratio	400:1		
LCD Color	262K		
Pixel Pitch (mm)	0.0635 (H) x 0.1905 (V)		
Viewing Angle (H-V)	140° / 110°		
Backlight MTBF	50000 hrs (LED Backlight)		
SBC Model	AFLMB-LX-800	AFLMB-945GSE-N270-R10	AFLMB-CV-N2600-R10
CPU	AMD Geode™ LX 800 (500MHz)	Intel® Atom™ processor N270 1.6GHz CPU	Intel® Atom™ N2600 dual core 1.6 GHz CPU
Chipset	AMD LX800 + AMD CS5536	Intel® 945GSE + ICH7M	Intel® NM10
RAM	Supports one 333MHz or 400MHz DDR SO-DIMM (1GB Max.)	Supports one 400MHz or 533MHz DDR2 SO-DIMM (2GB Max.)	One 800 MHz 204-pin DDR3 SO-DIMM slot (max. 2G) pre-installed with 2GB
I/O Ports	1 x RS-232 COM Port 1 x RS-232/422/485 COM Port 2 x RJ-45 for 10/100Mbps LAN 2 x USB 2.0 1 x Power Switch 1 x Reset Button 1 x Power Jack 1 x Audio Jack (Line-out)	1 x RS-232 COM Port 1 x RS-232/422/485 COM Port 2 x RJ-45 for GbE 2 x USB 2.0 1 x Power Switch 1 x Reset Button 1 x Power Jack 1 x External SATA 1 x Audio Jack (Line-out)	1 x 9-28V Lockable DC Jack 1 x RJ45 for RS-232 1 x RS-232/422/485 1 x VGA 2 x GbE LAN 2 x USB 2.0 1 x Power switch 1 x Reset button 1 x AT/ATX switch 1 x Line out
Storage	CF Type II		mSATA
Watchdog Timer	Software programmable supports 1~255 sec. system reset		
Audio	AMP 1.5W + 1.5W (internal speaker)		AMP 2W + 2W (internal speaker)
Wireless Connection	1 x Wireless LAN 802.11 b/g Module (internal Mini PCI interface)	1 x Wireless LAN 802.11b/g/n Module (internal PCIe Mini card interface) Telec certified	1 x Wireless LAN 802.11b/g/n 2T2R Module (internal PCIe Mini card interface) Telec certified
Construction Front Panel	ABS + PC Plastic front frame		
LED Function	1 x LED on front panel for power on/off		
Mounting	Panel, Wall, Rack, Stand or Arm mounting VESA 75mm x 75mm		
Front Panel Color	Gray 7539U		
Dimensions (WxHxD) (mm)	226 x 140 x 41		
Operation Temperature (°C)	0~50°C	-10°C ~50°C	-10°C~50°C
Storage Temperature (°C)	-20°C ~ 60°C		
N/G Weight	0.6 Kg		
IP Level	Front Frame IP64		
Safety & EMC	CE / FCC		
Touch Screen	4-wire Resistive Type (touch controller IC is on board)		
Power Adapter	P/N: 63000-FSP036RAB608-RS 36W Power Adapter (Meet PSE) Input: 90VAC~264VAC, 50/60Hz Output: 12VDC		P/N: 63000-FSP036RAB610-RS 36W Power Adapter (Meet PSE) Input: 90VAC~264VAC, 50/60Hz Output: 12VDC
Power Requirement	12VDC	12VDC	9-28V DC
Power Consumption	20W	23W	23W

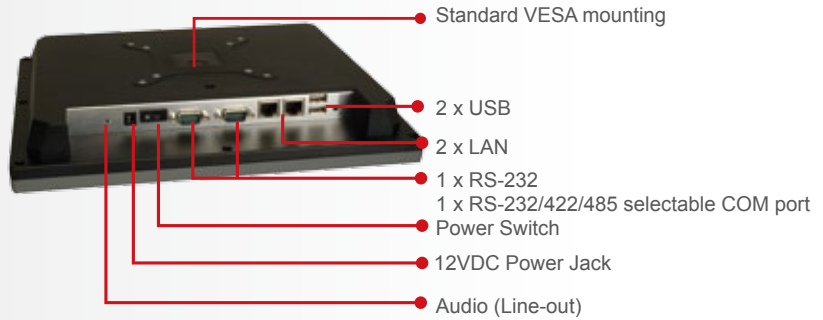
1 IEI Mobile Solutions
2 Automation Panel Solutions
3 PACSmate Medical Solutions
4 Optional Peripherals

Fully Integrated I/O

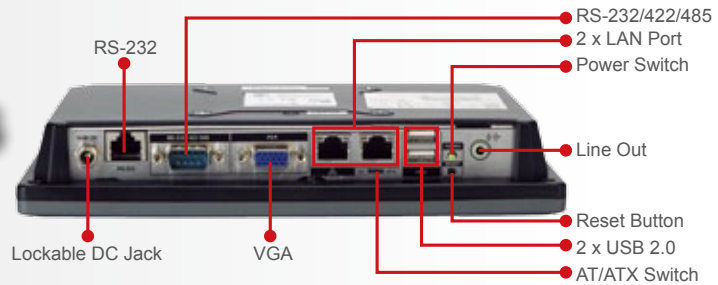
AFL-07A-LX



AFL-07A-N270



AFL-W07A-N26



1

IEIMobile Solutions

2

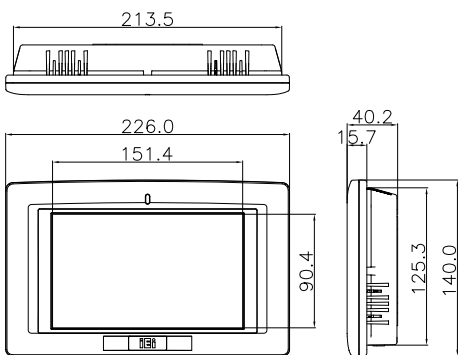
Automation Panel Solutions

3

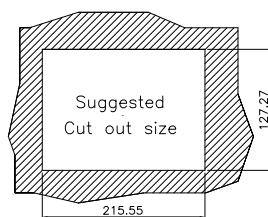
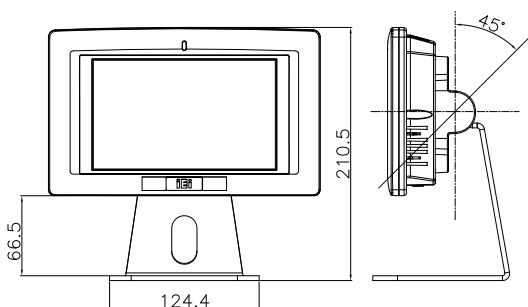
PACSmate Medical Solutions

4

Optional Peripherals



AFL-07A/AFL-W07A
Dimensions (Unit: mm)



(Optional Stand Kit)

Ordering Information

Part Number	Description
AFL-07A-LX/R/512-R22	7" 500 cd/m ² , WVGA fanless panel PC with AMD LX-800 CPU, AT/ATX mode, 802.11b/g Wireless Module, Touch screen and 512MB DDR RAM, R22
AFL-07A-N270/R/1G-R23	7" 500 cd/m ² WVGA fanless panel PC with Intel® Atom™ N270 1.6GHz, 802.11b/g/n wireless module, touch screen, 1GB DDR2 533, R23
AFL-W07A-N26/R/2G-R10	7" 500cd/m ² , WVGA fanless panel PC with Intel® Atom™ cedarview N2600 dual core 1.6GHz, 802.11b/g/n wireless module, touch screen, 2GB DDR3, R10

Options

Model	AFL-07A-LX	AFL-07A-N270	AFL-W07A-N26
Panel Mounting Kit		AFLPK-12	
Wall Mounting Kit		AFLWK-12	
Rack Mounting Kit		AFLRK-07	
Arm		ARM-11-RS / ARM-31-RS	
Stand		STAND-100-RS	
VSTAND		VSTAND-A07-R11	
9~30VDC to 12VDC Converter Module		IDD-930160-KIT	
OS: Win CE 5.0 (128 MB CF card)	AFLCF-07-LX-CE-R21	--	--
OS: Win CE 6.0 (128 MB CF card)	AFLCF-07-LX-CE060-R21	AFLCF-07-N270-CE060-R23	--
OS: Win XPE (1 GB CF card)	AFLCF-07-LX-XPE-R21	AFLCF-07-N270-XPE-R23	AFL-W07-N26-XPE-R10*
OS: Win 7 Embedded (4 GB CF card or CD-ROM)	--		AFL-W07-N26-WES7E-R10*
Magnetic Stripe Reader		AFLP-08AMSR-U	
DC 12V Input UPS		AUPS-A10-R10 (7.4V 3800mAH)	
DC 9~36V Input UPS		AUPS-A20-R10 (7.4V 3800mAH)	
Bluetooth V2.0+EDR		AFL-BT-KIT02-R10	

*OS image with CD-ROM

ISMM Support Functions

	Voltage	Fan	Smart Fan	Temperature	WDT	Cash Drawer
AFL-07A-LX	V			V	V	
AFL-07A-N270	V			V	V	
AFL-W07A-N26	V			V	V	

Packing List

Item	Part Number	Q'ty	Specification
Screw Pack	44013-030041-RS	4	M3;5mm
Power Adpater	63000-FSP036RAB608-RS 63000-FSP036RAB610-RS (for AFL-07A-N26)	1	90~264V AC; 12V DC; 36W (Meet PSE)
Power Cord	32000-000002-RS	1	1750mm; European Standard (EU or US, depending on the shipment country)
Utility CD	7B000-000087-RS	1	
Touch Pen	43125-0002C0-00-RS	1	
One Key Recovery CD		1	
RJ45 to RS-232 Transfer Cable	32005-000200-200-RS	1	300MM; RJ45 to D-SUB 9P transfer cable

1

IEI Mobile Solutions

2

Automation Panel Solutions

3

PACsmate Medical Solutions

4

Optional Peripherals

8.4" SVGA AFOLUX Panel PC

AFL-08AH-LX

AMD Geode™ LX 800 500 MHz Processor

AFL-08AH-N270

Intel® Atom™ N270 1.6GHz Processor

AFL-08A-N26

Intel® Atom™ N2600 1.60 GHz Processor



Features

- 8.4" TFT LED Backlight LCD with resistive touch screen
- 9V~28V wide range DC power input (for Intel® N2600 platform)
- Fanless cooling system
- Selectable AT/ATX power mode
- System memory up to 2GB SDRAM
- Built-in 802.11b/g/n Wireless LAN
- Built-in speakers
- One CompactFlash® slot
- IP 64 compliant front panel
- IEI One Key Recovery solution allows you to create rapid OS backup and recovery (Suggest over 4GB storage capacity)



Specifications

Model	AFL-08AH-LX	AFL-08AH-N270	AFL-08A-N26
LCD Size		8.4"	
Max Resolution		800 x 600	
Brightness (cd/m ²)		450	
Contrast Ratio		600:1	
LCD Color		262K	
Pixel Pitch (mm)		0.213 (H) x 0.213 (V)	
Viewing Angle (H-V)		160° / 140°	
Backlight MTBF		50000 hrs (LED Backlight)	
SBC Model	AFLMB-LX-800	AFLMB-945GSE-N270-R10	
CPU	AMD Geode™ LX 800 (500MHz)	Intel® Atom™ process N270 1.6GHz CPU	Intel® Atom™ N2600 dual core 1.6 GHz CPU
Chipset	AMD LX 800 + AMD CS5536	Intel® 945GSE + ICH7M	Intel® NM10
RAM	Supports one 400MHz or 533MHz DDR SO-DIMM (Max.1GB)	Supports one 400MHz or 533MHz DDR2 SO-DIMM (Max. 2GB)	One 800 MHz 204-pin DDR3 SO-DIMM slot (Max. 2GB) pre-installed with 2GB
I/O Ports	1 x RS-232 COM Port 1 x RS-232/422/485 COM Port 2 x RJ-45 for 10/100Mbps LAN 2 x USB 2.0 1 x Power Switch 1 x Reset Button 1 x Power Jack	1 x RS-232 COM Port 1 x RS-232/422/485 COM Port 2 x RJ-45 for GbE 2 x USB 2.0 1 x Power Switch 1 x Reset Button 1 x External SATA 1 x Audio Port 1 x Power Jack	1 x 9-28V lockable DC Jack 1 x RJ-45 for RS-232 1 x RS-232/422/485 1 x VGA 2 x GbE LAN 2 x USB 2.0 1 x Power switch 1 x Reset button 1 x AT/ATX switch 1 x Line out
Storage		CF Type II	mSATA
Watchdog Timer		Software programmable supports 1~255 sec. system reset	
Audio		AMP 1.5W + 1.5W (internal speaker)	AMP 2W + 2W (internal speaker)
Wireless Connection	1 x Wireless LAN 802.11 b/g Module (internal Mini PCI interface)	1 x Wireless LAN 802.11b/g/n Module (internal PCIe Mini card interface)	1 x Wireless LAN 802.11b/g/n 2T2R Module (internal PCIe Mini card interface) Telec certified
Construction Front Panel	ABS + PC Plastic front frame		
LED Function	1 x Power on/off LED on front panel		
Mounting	Panel, Wall, Rack, Stand and Arm VESA 75mm x 75mm		
Front Panel Color	Gray 7539U		
Dimensions (WxHxD) (mm)	234 x 184 x 42		
Operation Temperature (°C)	0°C ~ 50°C	-10°C ~ 50°C	-10°C ~ 50°C
Storage Temperature (°C)		-20°C ~ 60°C	
N/G Weight	0.8 Kg		
IP Level	IP 64 compliant front panel		
Safety & EMC	CE / FCC		
Touch Screen	4-Wire Resistive Type (touch controller IC is on board)		
Power Adapter	P/N: 63000-FSP036RAB608-RS 36W Power Adapter (Meet PSE) Input: 90VAC~264VAC, 50/60Hz Output: 12VDC		P/N: 63000-FSP036RAB610-RS 36W Power Adapter (Meet PSE) Input: 90VAC~264VAC, 50/60Hz Output: 12VDC
Power Requirement	12VDC	12VDC	9-28V DC
Power Consumption	20W	29W	29W

1

IEIMobile Solutions

2

Automation Panel Solutions

3

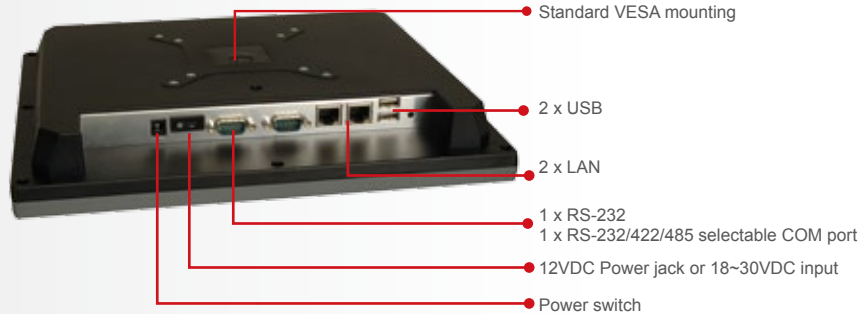
PACSmate Medical Solutions

4

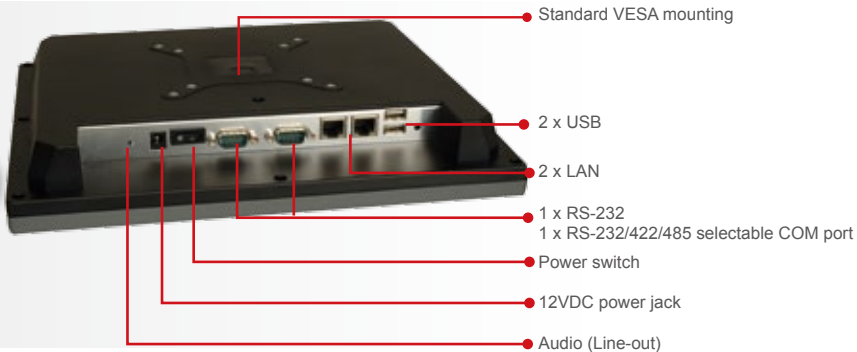
Optional Peripherals

Fully Integrated I/O

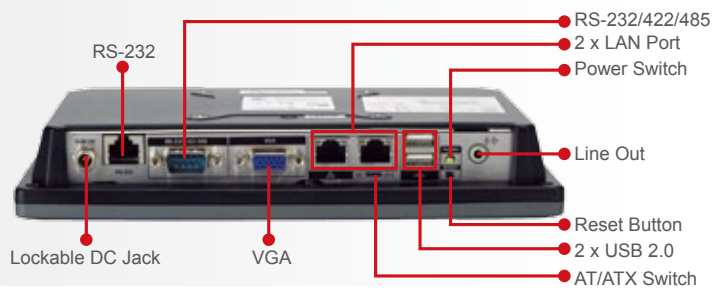
AFL-08AH-LX



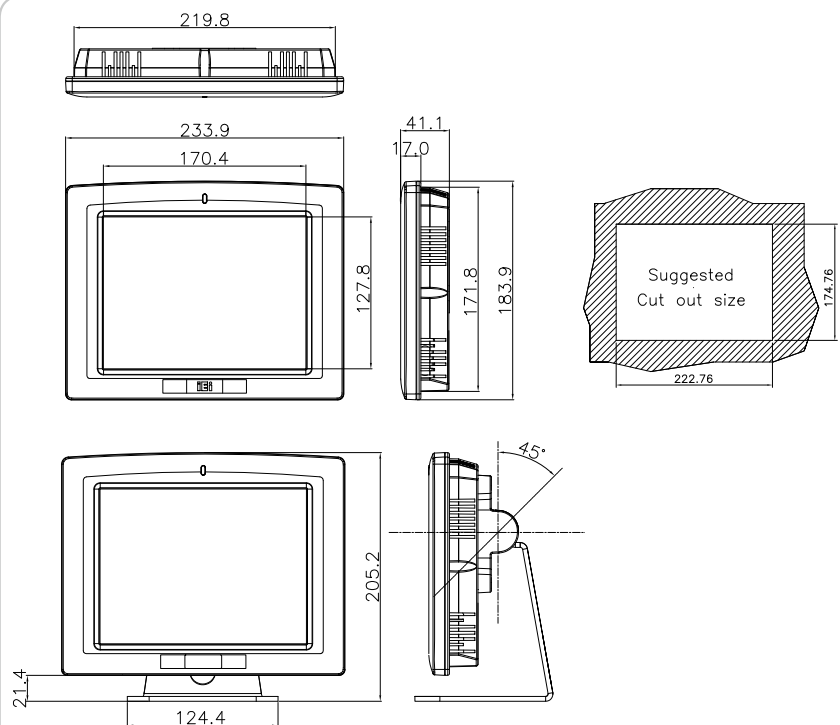
AFL-08AH-N270



AFL-08A-N26



AFL-08AH/AFL-08A
Dimensions (Unit: mm)



1

IEI Mobile Solutions

2

Automation Panel Solutions

3

PACsmate Medical Solutions

4

Optional Peripherals

Ordering Information

Part Number	Description
AFL-08AH-LX/R/512-R22	8.4" 450 cd/m ² , SVGA fanless panel PC with AMD LX-800 CPU, AT/ATX mode, 802.11b/g Wireless Module, Touch screen and 512MB DDR RAM, R22
AFL-08AH-N270/R/1G-R23	8.4" 450 cd/m ² , SVGA fanless panel PC with Intel® Atom™ N270 1.6GHz, 802.11b/g/n wireless module, touch screen, 1GB DDR2 533MHz, R23
AFL-08A-N26/R/2G-R10	8.4" 450cd/m ² , SVGA fanless panel PC with Intel® Atom™ N2600 dual core 1.6GHz, 802.11b/g/n wireless module, touch screen, 2GB DDR3, R10

Options

Model	AFL-08AH-LX	AFL-08AH-N270	AFL-08A-N26
Panel Mounting Kit		AFLPK-12	
Wall Mounting Kit		AFLWK-12	
Rack Mounting Kit		AFLRK-08	
Arm		ARM-11-RS / ARM-31-RS	
Stand		STAND-100-RS	
VSTAND		VSTAND-A10-R11	
9~30VDC to 12VDC Converter Module		IDD-930160-KIT	
OS: Win CE 5.0 (128 MB CF card)	AFLCF-08-LX-CE-R21	--	
OS: Win CE 6.0 (128 MB CF card)	AFLCF-08-LX-CE060-R21	AFLCF-07-N270-CE060-R23	--
OS: Win XPE (1 GB CF card)	AFLCF-08-LX-XPE-R21	AFLCF-07-N270-XPE-R23	AFL-W07-N26-XPE-R10*
OS: Win 7 Embedded (4 GB CF card or CD-ROM)	--	--	AFL-W07-N26-WES7E-R10*
Magnetic Stripe Reader		AFLP-08AMSR-U	
DC 12V Input UPS		AUPS-A10-R10 (7.4V 3800mAh)	
DC 9~36V Input UPS		AUPS-A20-R10 (7.4V 3800mAh)	
Bluetooth V2.0+EDR	AFL-BT-KIT02-R10	AFL-BT-KIT01-R10	AFL-BT-KIT02-R10
DC jack to terminal block power converter cable		32002-005500-100-RS	

*OS image with CD-ROM

ISMM Supported Functions

	Voltage	Fan	Smart Fan	Temperature	DIO	WDT	Cash Drawer
AFL-08AH-LX	V			V		V	
AFL-08AH-N270	V			V		V	
AFL-08AH-N26	V			V		V	

Packing List

Item	Part Number	Q'ty	Specification
Screw Pack	44013-030041-RS	4	M3;5mm
Power Adapter	63000-FSP036RAB608-RS 63000-FSP036RAB610-RS (for AFL-08A-N26)	1	90~264V AC; 12V DC; 36W (Meet PSE)
Power Cord	32000-000002-RS	1	1750mm; European Standard (EU or US, depending on the shipment country)
Utility CD	7B000-000087-RS	1	
Touch Pen	43125-0002C0-00-RS	1	
One Key Recovery CD		1	
RJ45 to RS-232 Transfer Cable	32005-000200-200-RS	1	300MM; RJ45 to D-SUB 9P transfer cable

1

IEIMobile Solutions

2

Automation Panel Solutions

3

PACSmate Medical Solutions

4

Optional Peripherals

AFL-F08A 8" Flat-bezel Panel PC

The new 8" panel is a full-flat surface touchscreen PC. The AFL-F08A includes all necessary input/output interfaces to control any subsystem or automation hardware in your office, business, or home. The new stylish design is easily integrated into any environment. The front panel is IP 64 compliant. An optional projected capacitive touchscreen provides a multi-touch interactive user experience.

Features:

- 8.0" LED TFT LCD with stylish flat-bezel touchscreen
- Optional projected capacitive touchscreen supports multi-touch
- Fanless system with Intel® Atom™ N270 processor (512K Cache, 1.60 GHz, 533 MHz FSB)
- Hot keys controlled by cap-sensor in the front panel
- Optional color change kit matches the style of any decoration
- Wireless LAN 802.11b/g/n
- Built-in 2-megapixel CMOS camera with low-light capability
- Two 1.5W speakers and microphone for multimedia applications
- IP 64 compliant front panel
- IEI One Key Recovery solution allows you to create rapid OS backup and recovery (suggest with over 4GB storage capacity)



Full-flat Surface Touchscreen

The AFL-F08A flat-bezel design covers the entire front frame (bezel) of standard LCD to make the screen and bezel appear to blend together. The seamless flat-bezel touchscreen system offers a stylish and easy to clean surface.

Flat-bezel Advantages:

- Better visual effects
- No edge effect
- Sleek and stylish
- Easy to clean



Applications:



OFFICE



LIVING ROOM



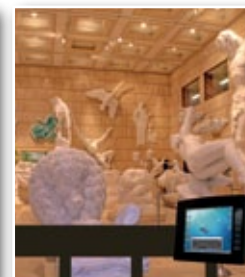
YACHTING



KITCHEN



AUTOMATION



MUSEUM

1
IEI Mobile Solutions

2
Automation Panel Solutions

3
PACsmate Medical Solutions

4
Optional Peripherals

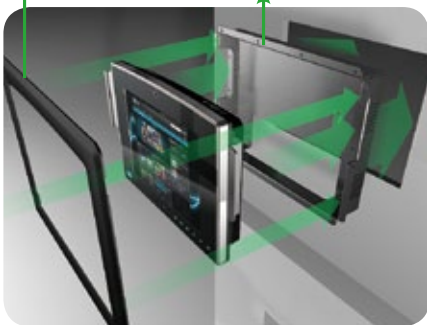
Picture Frame In-Wall Mount

This optional kit includes a decorative front plate and wall mount enclosure to securely house the AFL-F08A panel PC. The enclosure includes knockouts for power and I/O interface cables.



3.7mm

Decorative front plate
In-Wall Enclosure

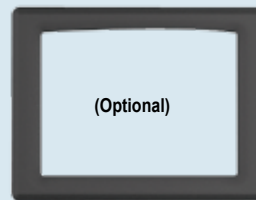


Optional Decorative Kit:

DIM.
300mm x 230mm x 3.7mm



+



(Optional)

=



Projected Capacitive Touch Sensor

Operational Theory

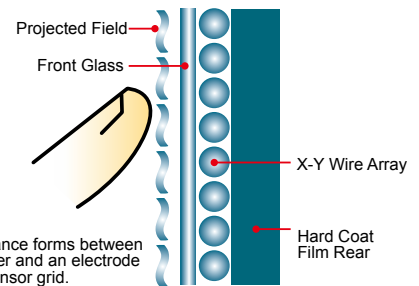
Projected capacitive touch is based on principle of embedding an array of micro-fine sensing wires within a multi-layer laminated screen behind a protective front surface, ensuring that the sensing medium is well-protected from accidental damage.



Activated by a finger or gloved hand

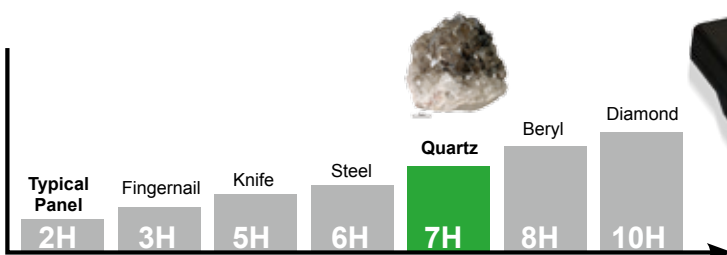
Windows® 7 with Multi-touch Capability

The AFL-F08A comes with the true multi-touch Microsoft Windows 7 operating system. Windows 7 features improved touch and gesture support. With Windows 7, handwriting recognition is faster, more accurate and with more language support.



7H Anti-scratch Surface (Projected capacitive type touch screen)

Projected Capacitive touch technology utilizes a durable glass front surface. 7H hardness is stronger than the conventional touch panel and therefore is able to protect the screen from damage.



MOH's Hardness Rating



1

IEIMobile Solutions

2

Automation Panel Solutions

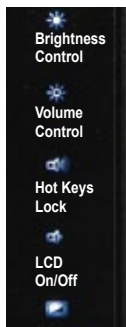
3

PACSmate Medical Solutions

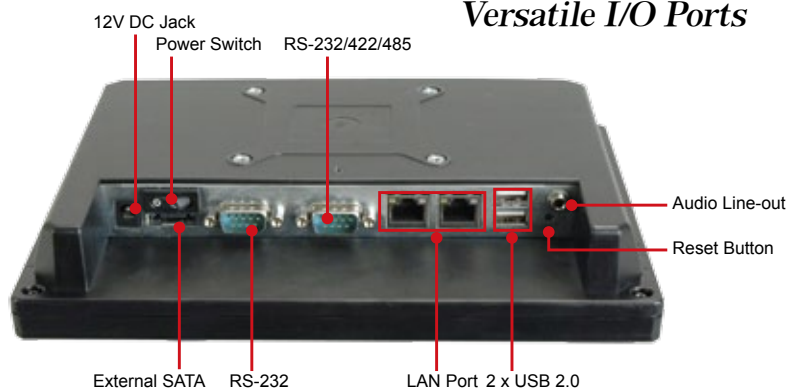
4

Optional Peripherals

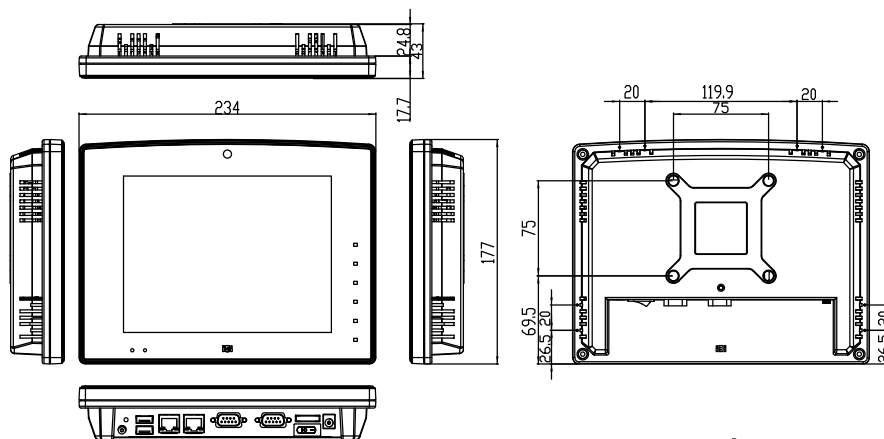
Hot Keys Controlled by Cap-Sensor



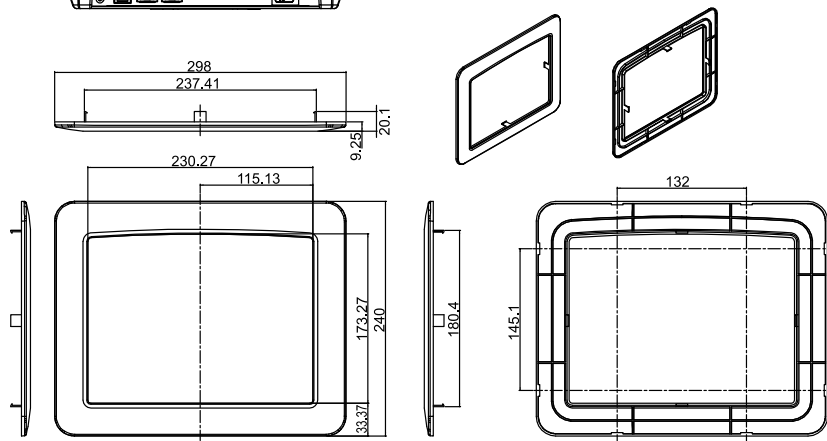
Versatile I/O Ports



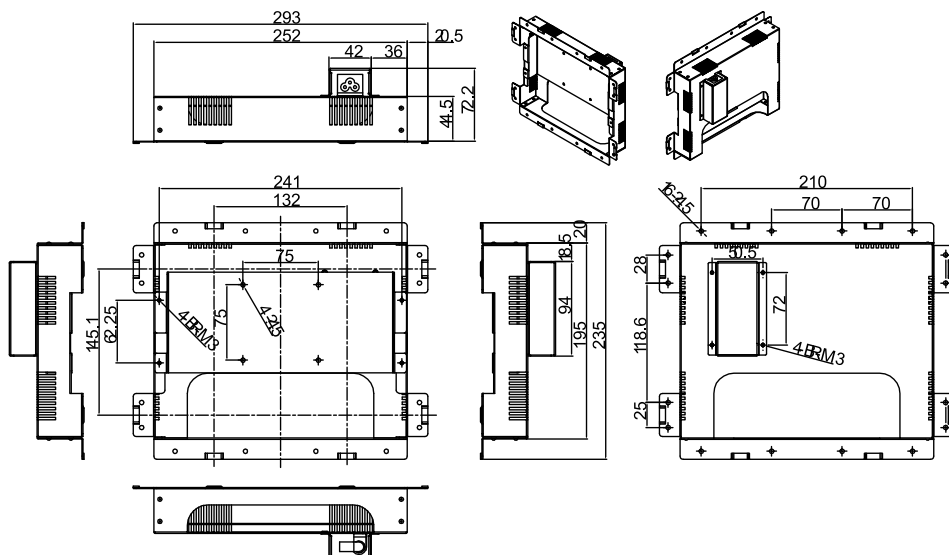
AFL-F08A
Dimensions (Unit: mm)



Decoration Kit
Dimensions (Unit: mm)



In-Wall Cage
Dimensions (Unit: mm)



Specifications



Model	AFL-F08A-N270	
LCD Size	8"	
Max Resolution	800 x 600	
Brightness (cd/m ²)	250	
Contrast Ratio	500:1	
LCD Color	262K	
Pixel Pitch (mm)	0.2025 (H) x 0.2025 (V)	
Viewing Angle (H-V)	140° / 130°	
Backlight MTBF	30000 hrs (LED Backlight)	
SBC Model	AFLMB-945GSE-N270-R10	
CPU	Intel® Atom™ Processor N270 (512K Cache, 1.60 GHz, 533 MHz FSB)	
Chipset	Intel® 945GSE + ICH7M	
RAM	Supports one 400MHz or 533MHz DDR2 SO-DIMM (Max. 2GB)	
I/O Ports	1 x RS-232 COM Port 1 x RS-232/422/485 COM Port 2 x RJ-45 for GbE 2 x USB 2.0	1 x Reset Button 1 x Audio Port (line-out) 1 x 12V DC Power Jack 1 x External SATA
SSD	CF Type II	
Watchdog Timer	Software programmable supports 1~255 sec. system reset	
Audio	AMP 1.5W + 1.5W (internal speakers)	
Wireless Connection	1 x Wireless LAN 802.11b/g/n Module (internal PCIe Mini interface)	
Camera	2 megapixel with Low Light Function and digital microphone	
Front Panel Construction	ABS + PC Plastic front frame	
Membrane Keypad	LCD on/off, Brightness up/down, Volume up/down by cap-sensor	
Mounting	In-Wall, Panel, Wall, Stand and Arm VESA 75mm x 75mm	
Front Panel Color	Black	
Dimensions (WxHxD) (mm)	234 x 177 x 43	
Operation Temperature (°C)	-10°C ~ 50°C	
Storage Temperature (°C)	-20°C ~ 60°C	
N/G Weight	1.8Kg	
IP Level	IP 64 compliant front panel	
Safety & EMC	CE / FCC	
Touch Screen	5 (touch controller IC is on board) or projected capacitive type touch screen	
Power Adapter	63000-FSP036RAB608-RS 36W Power Adapter (Meet PSE) Input: 90VAC~264VAC, 50/60Hz Output: 12VDC	
Power Requirement	12VDC	
Power Consumption	32W	

Ordering Information

	Part Number	Description
Resistive Touch Panel	AFL-F08A-N270/R/1G-R24	8.0" 250cd/m ² SVGA fanless panel PC with Intel® Atom™ N270 1.6GHz CPU, 1GB DDR2 RAM, 802.11b/g/n Wi-Fi, touch screen, 2 megapixel camera, microphone, R24
Projected Capacitive Multi-Touch Panel	AFL-F08A-N270/PC/1G-R24	8.0" 250cd/m ² SVGA fanless panel PC with Intel® Atom™ N270 1.6GHz CPU, 1GB DDR2 RAM, 802.11b/g/n Wi-Fi, projected capacitive multi-touch panel screen, 2 megapixel camera, microphone, R24

Options

Item	AFL-F08A-N270/R (Resistive type touch)	AFL-F08A-N270/PC (PCT type touch)
Panel Mounting Kit	AFLPK-12	
Wall Mounting Kit	AFLWK-12	
Rack Mounting Kit	AFLRK-08	
Arm	ARM-11-RS / ARM-31-RS	
Stand	STAND-100-RS / STAND-C12	
VSTAND	VSTAND-A10-R11	
9~30VDC to 12VDC converter Module	IDD-930160-KIT	
OS: Win CE 6.0 (128 MB CF card)	AFLCF-F08-N270-CE060-R24	
OS: Win XPE (1 GB CF card)	AFLCF-F08-N270-XPE-R24	
OS: Win 7 Embedded (4 GB CF card)	AFLCF-F08-N270-WES7E-R24	AFLCF-F08-N270-WES7P-R24
Magnetic Stripe Reader	AFLP-08AMSR-U	
DC 12V Input UPS	AUPS-A10-R10 (7.4V 3800mAh)	
DC 9~36V Input UPS	AUPS-A20-R10 (7.4V 3800mAh)	
In-wall Cage	AFLIWC-F08A-R10	
Bluetooth V2.0+EDR	AFL-BT-KIT02-R10	

Note: Multi-touch function is only supported on Windows 7 on PCT type touch.

Packing List

Item	Part Number	Q'ty	Specification
Screw Pack	44013-030041-RS	4	M3;5mm
Power Adpater	63000-FSP036RAB608-RS	1	90~264V AC; 12V DC; 36W (Meet PSE)
Power Cord	32000-000002-RS	1	1750mm; European Standard (EU or US, depending on the shipment country)
Utility CD	7B000-000087-RS	1	
Touch Pen	43125-0002C0-00-RS	1	
One Key Recovery CD		1	

1

IEIMobile Solutions

2

Automation Panel Solutions

3

PACSmate Medical Solutions

4

Optional Peripherals

8" SVGA AFOLUX PPC

AFL-08B-N270

Intel® Atom™ Processor N270 1.60 GHz



Features

- 8" LED backlight LCD panel with resistive type touch screen
- Built-in 2-megapixel camera with low light capability
- Built-in digital microphone
- Selectable AT/ATX power mode via internal switch
- Fanless cooling system
- System memory up to 2 GB SDRAM
- Built-in 802.11b/g/n Wireless LAN
- Built-in two 1.5 W speakers
- One CompactFlash® slot
- IP 64 compliant front panel
- IEI One Key Recovery solution allows you to create rapid OS backup and recovery (Suggest over 4GB storage capacity)



Specifications

Model	AFL-08B-N270
LCD Size	8"
Max Resolution	800 x 600
Brightness (cd/m ²)	250
Contrast Ratio	400 : 1
LCD Color	262K
Pixel Pitch (mm)	0.2025 (H) x 0.2025 (V)
Viewing Angle (H-V)	140° / 130°
Backlight MTBF	30000 hrs (LED backlight)
SBC Model	AFLMB-945GSE-N270-R10
CPU	Intel® Atom™ Processor N270 (512K L2 Cache, 1.60 GHz, 533 MHz FSB)
Chipset	Intel® 945GSE + ICH7M
RAM	Supports one 400MHz or 533MHz DDR2 SO-DIMM (Max. 2GB)
I/O Ports	1 x RS-232 COM Port 1 x RS-232/422/485 COM Port 2 x RJ-45 for GbE 2 x USB 2.0 1 x Power Switch 1 x Reset Button 1 x External SATA 1 x Audio Port 1 x Power Jack
Storage	CF Type II
Watchdog Timer	Software programmable supports 1~255 sec. system reset
Audio	AMP 1.5W + 1.5W (internal speakers)
Camera Module	2-megapixel camera with digital microphone
Wireless Connection	1 x Wireless LAN 802.11b/g/n Module (internal PCIe Mini card interface)
Construction Front Panel	ABS + PC Plastic front frame
LED Function	1 x Power on/off LED on front panel
Mounting	Panel, Wall, Rack, Stand and Arm VESA 75mm x 75mm
Front Panel Color	Gray 7539U
Dimensions (WxHxD) (mm)	234 x 177 x 43
Operation Temperature (°C)	-10°C ~50°C
Storage Temperature (°C)	-20°C ~60°C
N/G Weight	0.8 Kg
IP Level	IP 64 compliant front panel
Safety & EMC	CE / FCC
Touch Screen	5-wire resistive type (touch controller IC is on board)
Power Adapter	P/N: 63000-FSP036RAB608-RS 36W Power Adapter Input: 90VAC~264VAC, 50/60Hz Output: 12VDC
Power Requirement	12VDC
Power Consumption	25W

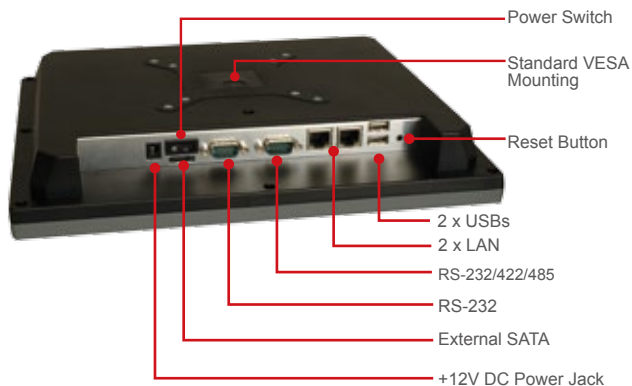
1
IEI Mobile Solutions

2
Automation Panel Solutions

3
PACsmate Medical Solutions

4
Optional Peripherals

Fully Integrated I/O



LED-backlight PPC Delivers Vivid Images

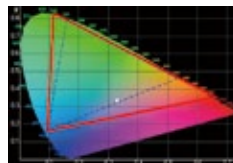
The AFL-08B-N270 is the first panel PC with its compact size to incorporate a LED backlight - making viewing and editing photos a lot better than previous CCFL illumination models.

LED backlighting PPC displays clear and vivid pictures!

Enhancement of image quality on LCD screen

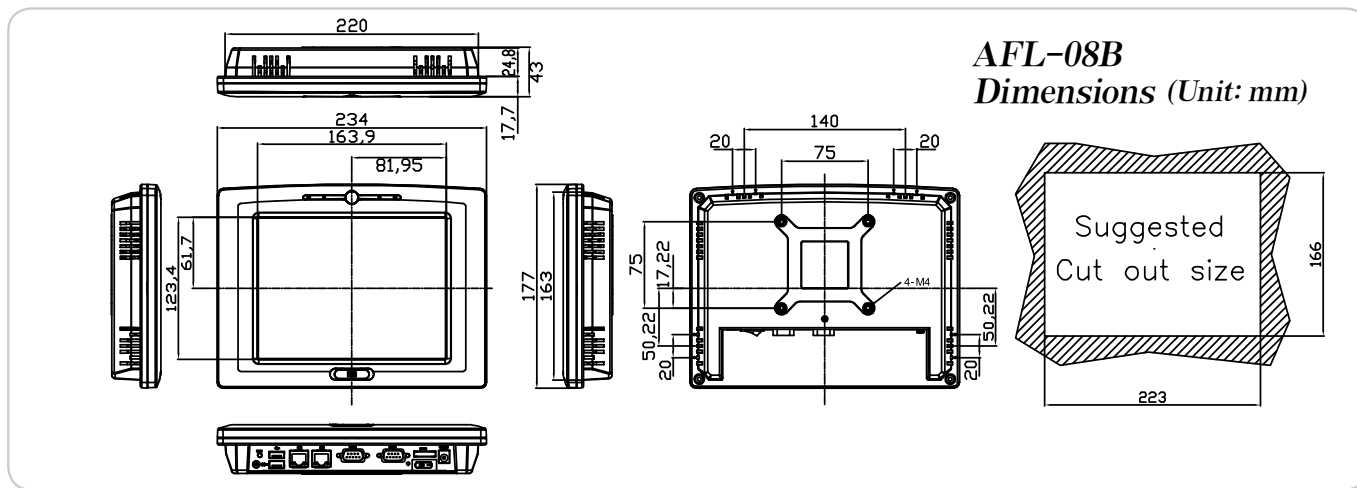
- Wider color gamut
- More even screen illumination
- Longer display life
- Low temperature operation and greater power efficiency

Color Gamut Comparison



— LED
- - - Normal CCFL

The LED backlight makes the image color shown on the LCD screen look nature and vivid.



AFL-08B
Dimensions (Unit: mm)

Ordering Information

Part Number	Description
AFL-08B-N270/R/1G-R23	8" 250 cd/m ² , SVGA fanless panel PC with Intel® Atom™ N270 1.6GHz, 802.11b/g/n wireless module, touch screen, 2megapixel camera with digital microphone, 1GB DDR2 533MHz, R23

Options

Item	P/N
Panel Mounting Kit	AFLPK-12
Wall Mounting Kit	AFLWK-12
Rack Mounting Kit	AFLRK-08
Arm	ARM-11-RS / ARM-31-RS
Stand	STAND-100-RS
VSTAND	VSTAND-A10-R11
9~30VDC to 12VDC converter Module	IDD-930160-KIT
OS: Win CE 6.0 (128 MB CF card)	AFLCF-08-N270-CE060-R23
OS: Win XPE (1 GB CF card)	AFLCF-08-N270-XPE-R23
OS: Win 7 Embedded (4GB CF card)	AFLCF-08-N270-WES7E-R23
Magnetic Stripe Reader	AFLP-08BMSR-U
DC 12V Input UPS	AUPS-A10-R10 (7.4V 3800mAH)
DC 9~36V Input UPS	AUPS-A20-R10 (7.4V 3800mAH)
Bluetooth V2.0+EDR	AFL-BT-KIT02-R10

Note: Win CE application without digital microphone function

ISMM Supported Functions

	Voltage	Fan	Smart Fan	Temperature	WDT	Cash Drawer
AFL-08B-N270	V			V	V	

Packing List

Item	Part Number	Q'ty	Specification
Screw Pack	44013-030041-RS	4	M3;5mm
Power Adpater	63000-FSP036RAB608-RS	1	90~264V AC; 12V DC; 36W (Meet PSE)
Power Cord	32000-000002-RS	1	1750mm (EU or US, depending on the shipment country)
Utility CD	7B000-000087-RS	1	
Touch Pen	43125-0002C0-00-RS	1	
One Key Recovery CD		1	

1

IEIMobile Solutions

2

Automation Panel Solutions

3

PACSmate Medical Solutions

4

Optional Peripherals

Wide 10.2" WSVGA AFOLUX PPC

AFL-W10A-N270

Intel® Atom™ Processor N270 1.60 GHz



New Wide Screen

Features

- Wide 10.2" TFT LCD with resistive touch screen
- Fanless cooling system
- Built-in 2-megapixel camera with digital microphone module
- Selectable AT/ATX power mode through the switch inside the chassis
- System memory up to 2 GB SDRAM
- Built-in 802.11b/g/n wireless LAN
- Built-in two 1.5 W speakers
- One CompactFlash® slot
- IP 64 compliant front panel
- IEI One Key Recovery solution allows you to create rapid OS backup and recovery (Suggest over 4GB storage capacity)



Specifications

Model	AFL-W10A-N270
LCD Size	Wide 10.2"
Max Resolution	1024 x 600
Brightness (cd/m ²)	400
Contrast Ratio	400: 1
LCD Color	262K
Pixel Pitch (mm)	0.2175 mm (H) x 0.2175 mm (V)
Viewing Angle (H-V)	140° / 120°
Backlight MTBF	40000 hrs
SBC Model	AFLMB-945GSE-N270-R10
CPU	Intel® Atom™ processor N270 1.6GHz CPU
Chipset	Intel® 945GSE + ICH7M
RAM	Supports one 400 MHz or 533MHz DDR2 SO-DIMM (Max. 2GB)
I/O Ports	1 x RS-232 COM Port 1 x RS-232/422/485 COM Port 2 x RJ-45 for GbE 2 x USB 2.0 1 x Power Switch 1 x Reset Button 1 x External SATA 1 x Audio Port 1 x Power Jack
Storage	CF Type II
Watchdog Timer	Software programmable supports 1~255 sec. system reset
Audio	AMP 1.5W + 1.5W (internal speakers)
Camera Module	2-megapixel with digital microphone
Wireless Connection	1 x Wireless LAN 802.11b/g/n Module (internal PCIe Mini card interface)
Construction Front Panel	ABS + PC Plastic front frame
LED Function	1 x Power on/off LED on front panel
Mounting	Panel, Wall, Rack, Stand and Arm VESA 100mm x 100mm
Front Panel Color	Gray 7539U
Dimensions (WxHxD) (mm)	280 x 186 x 49
Operation Temperature (°C)	-10°C ~50°C
Storage Temperature (°C)	-20°C ~ 60°C
N/G Weight	1.4 Kg
IP Level	IP 64 compliant front panel
Safety & EMC	CE / FCC
Touch Screen	5-wire resistive type (touch controller IC is on board)
Power Adapter	P/N: 63000-FSP036RAB608-RS 36W Power Adapter (Meet PSE) Input: 90VAC~264VAC, 50/60Hz Output: 12VDC
Power Requirement	12VDC
Power Consumption	28W

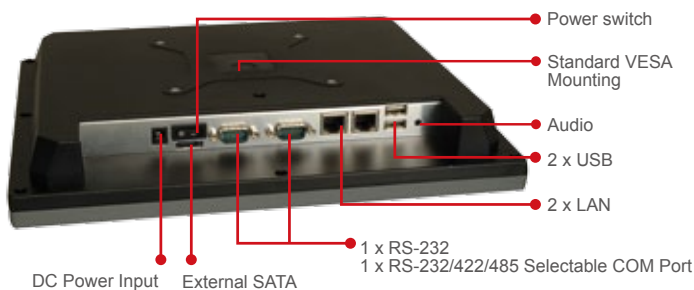
1 IEI Mobile Solutions

2 Automation Panel Solutions

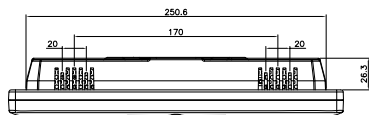
3 PACSmate Medical Solutions

4 Optional Peripherals

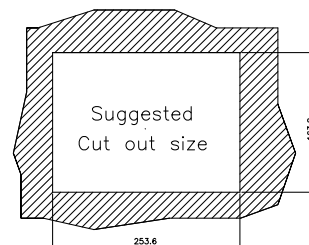
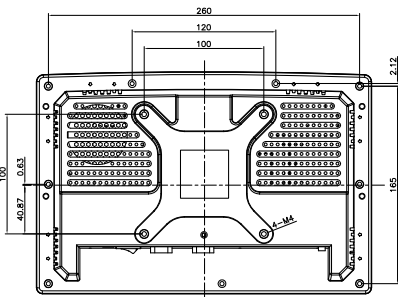
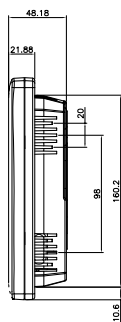
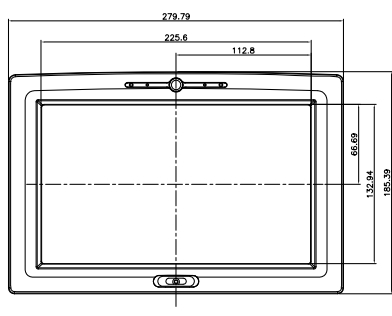
Fully Integrated I/O



Building Automation/Access Control System



AFL-W10A Dimensions (Unit: mm)



Ordering Information

Part Number	Description
AFL-W10A-N270/R/1G-R32	10.2" 400 cd/m ² , WSVGA fanless panel PC with Intel® Atom™ N270 1.6GHz, 802.11b/g/n wireless module, touch screen, 2megapixel camera with digital microphone, 1GB DDR2 533, R32

Options

Model	AFL-W10A-N270
Panel Mounting Kit	AFLPK-12
Wall Mounting Kit	AFLWK-19B
Rack Mounting Kit	AFLRK-W10
Arm	ARM-11-RS / ARM-31-RS
Stand	STAND-A12-RS / STAND-100-RS
VSTAND	VSTAND-A10-R11
9-30VDC to 12VDC Converter Module	IDD-930160-KIT
OS	Win CE 6.0 (128 MB CF card)
	Win XPE (1 GB CF card)
	Win 7 Embedded (4GB CF card)
Magnetic Stripe Reader	AFLP-10AMSR-U
DC 12V Input UPS	AUPS-B10-R10 (7.4V 3800mAH)
DC 9-36V Input UPS	AUPS-B20-R10 (7.4V 3800mAH)
Bluetooth V2.0+EDR	AFL-BT-KIT02-R10

ISMM Supported Functions

	Voltage	Fan	Smart Fan	Temperature	DIO	WDT	Beep	Cash Drawer
AFL-W10A-N270	V			V		V		

Packing List

Item	Part Number	Q'ty	Specification
Screw Pack	44013-030041-RS	4	M3; 5mm
Power Adpater	63000-FSP036RAB608-RS	1	90~264V AC; 12V DC; 36W (Meet PSE)
Power Cord	32000-000002-RS	1	1750mm; European Standard (EU or US, depending on the shipment country)
Utility CD	7B000-000087-RS	1	
Touch Pen	43125-0002C0-00-RS	1	
One Key Recovery CD		1	

Note: Win CE application without digital microphone function

1

IEIMobile Solutions

2

Automation Panel Solutions

3

PACSmart Medical Solutions

4

Optional Peripherals

10.4" SVGA AFOLUX Panel PC

AFL-10A-N270

Intel® Atom™ N270 1.6GHz Processor

AFL-10A-N26

Intel® Atom™ N2600 1.60 GHz Processor



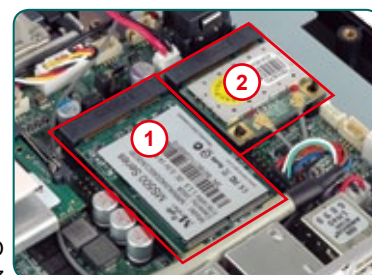
Advanced Features

(1) PCIe Mini card slot compatible with mSATA and PCIe Mini device

IEI patented PCIe Mini interface provides PCIe x 1 and USB signals such as PCIe Mini SSD and wireless LAN card for full-size or half-size devices!

(2) Enhanced 2T2R MIMO Technology

Preinstalled 2.4GHz 802.11b/g/n Wi-Fi module supports 2Tx/2Rx 2-stream MIMO with up to 300Mbps data rate for a 40MHz channel!



Specifications

Model	AFL-10A-N270	AFL-10A-N26
LCD Size	10.4"	
Max Resolution	800 x 600	
Brightness (cd/m ²)	400	
Contrast Ratio	700:1	
LCD Color	262K	
Pixel Pitch (mm)	0.264 (H) x 0.264 (V)	
Viewing Angle (H-V)	160° / 140°	
Backlight MTBF	50000 hrs (LED Backlight)	
SBC Model	AFLMB-945GSE-N270-R10	AFLMB-CV-N2600-R10
CPU	Intel® Atom™ processor N270 1.6GHz CPU	Intel® Atom™ N2600 dual core 1.6 GHz CPU
Chipset	Intel® 945GSE + ICH7M	Intel® NM10
RAM	Supports one 400MHz or 533MHz DDR2 SO-DIM (Max. 2GB)	One 800 MHz 204-pin DDR3 SO-DIMM slot (Max. 2GB) pre-installed with 2GB
I/O Ports	1 x RS-232 COM Port 1 x RS-232/422/485 COM Port 2 x RJ-45 for Giga LAN 2 x USB 2.0 1 x Power Switch 1 x Reset Button 1 x External SATA 1 x Audio Port 1 x Power Jack	1 x 9-28V lockable DC Jack 1 x RJ-45 for RS-232 1 x RS-232/422/485 1 x VGA 2 x GbE LAN 2 x USB 2.0 1 x Power switch 1 x Reset button 1 x AT/ATX switch 1 x Line out
Storage	CF Type II	mSATA
Watchdog Timer	Software programmable supports 1~255 sec. system reset	
Audio	AMP 1.5W + 1.5W (internal speakers)	AMP 2W + 2W (internal speaker)
Wireless Connection	1 x Wireless LAN 802.11b/g/n Module (internal PCIe Mini card interface)	1 x Wireless LAN 802.11b/g/n 2T2R Module (internal PCIe Mini card interface) Telec certified
Construction Front Panel	ABS + PC Plastic front frame	
LED Function	1 x Power on/off LED on front panel	
Mounting	Panel, Wall, Rack, Stand and Arm VESA 75mm x 75mm / 100mm x 100mm	
Front Panel Color	Gray 7539U	
Dimensions (WxHxD) (mm)	276 x 222 x 51	
Operation Temperature (°C)	-10°C ~50°C	
Storage Temperature (°C)	-20°C ~ 60°C	
N/G Weight	1.4 Kg	
IP Level	IP 64 compliant front panel	
Safety & EMC	CE / FCC	
Touch Screen	5-wire resistive type (touch controller IC is on board)	
Power Adapter	P/N: 63040-010060-030-RS 60W Power Adapter (Meet PSE) Input: 90VAC~264VAC, 50/60Hz Output: 12VDC	P/N: 63040-010060-040-RS 60W Power Adapter (Meet PSE) Input: 90VAC~264VAC, 50/60Hz Output: 12VDC
Power Requirement	12V DC	9-28V DC
Power Consumption	28W	28W

1
IEI Mobile Solutions

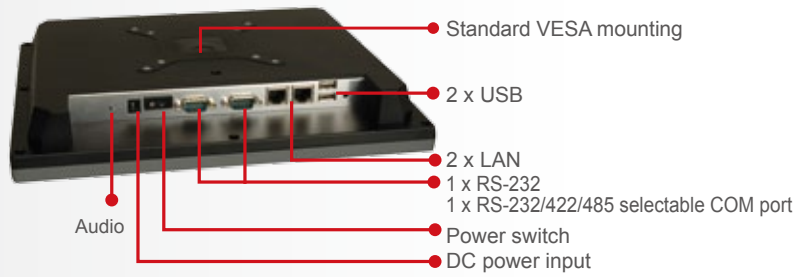
2
Automation Panel Solutions

3
PACsmate Medical Solutions

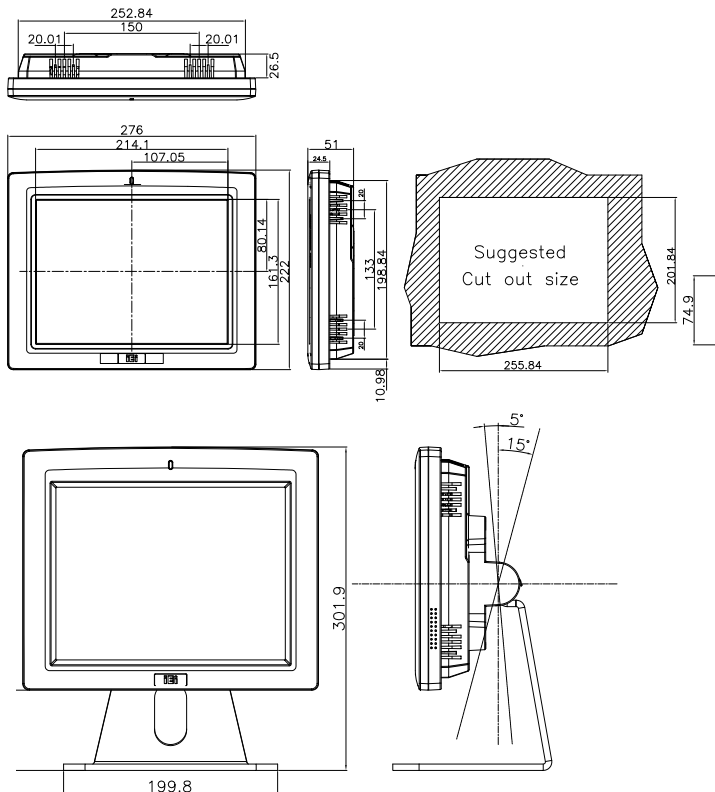
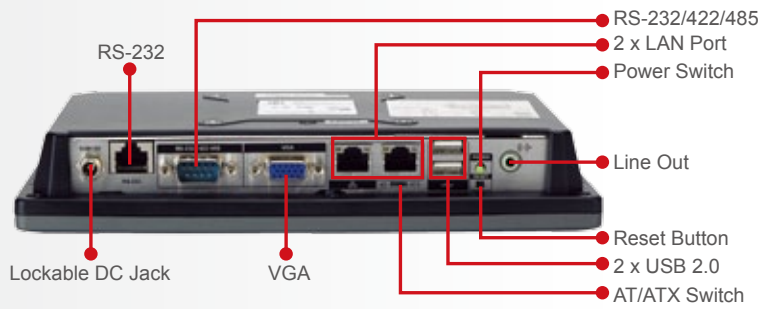
4
Optional Peripherals

Fully Integrated I/O

AFL-10A-N270



AFL-10A-N26



AFL-10A
 Dimensions (Unit: mm)

1

IEIMobile Solutions

2

Automation Panel Solutions

3

PACSmate Medical Solutions

4

Optional Peripherals

Ordering Information

Part Number	Description
AFL-10A-N270/R/1G-R23	10.4" 400cd/m ² SVGA fanless panel PC with Intel® Atom™ N270 1.6GHz, 802.11b/g/n wireless module, touch screen, 1GB DDR2 533, R23
AFL-10A-N26/R/2G-R10	10.4" 400cd/m ² SVGA fanless panel PC with Intel® Atom™ N2600 dual core 1.6GHz, 802.11b/g/n wireless module, touch screen, 2GB DDR3, R10

Options

Model	AFL-10A-N270	AFL-10A-N26
Panel Mounting Kit	AFLPK-12	
Wall Mounting Kit	AFLWK-12	
Rack Mounting Kit	AFLRK-10	
Arm	ARM-11-RS / ARM-31-RS	
Stand	STAND-A12-RS / STAND-100-RS	
VSTAND	VSTAND-A10-R11	
9~30VDC to 12VDC Converter Module	IDD-930160-KIT	
OS: Win CE 5.0 (128 MB CF card)	--	--
OS: Win CE 6.0 (128 MB CF card)	AFLCF-07-N270-CE060-R23	--
OS: Win XPE (1 GB CF card)	AFLCF-07-N270-XPE-R23	AFL-W07-N26-XPE-R10*
OS: Win 7 Embedded (4 GB CF card or CD-ROM)	AFLCF-07-N270-WES7E-R23	AFL-W07-N26-WES7E-R10*
Magnetic Stripe Reader	AFLP-10AMSR-U	
DC 12V Input UPS	AUPS-A10-R10 (7.4V 3800mAH)	
DC 9~36V Input UPS	AUPS-A20-R10 (7.4V 3800mAH)	
Bluetooth V2.0+EDR	AFL-BT-KIT02-R10	
DC jack to terminal block power converter cable	32002-005500-100-RS	

*OS image with CD-ROM

ISMM Supported Functions

	Voltage	Fan	Smart Fan	Temperature	DIO	WDT	Cash Drawer
AFL-10A-N270	V			V		V	
AFL-10A-N26	V			V		V	

Packing List

Item	Part Number	Q'ty	Specification
Screw Pack	44013-030041-RS	4	M3; 5mm
Power Adpater	63000-FSP036RAB608-RS (AFL-10A-N270) 63040-010060-040-RS (AFL-10A-N26)	1	90~264V AC; 12V DC; 36W90~264V AC; 12V DC; 40W (Meet PSE)
Power Cord	32000-000002-RS	1	1750mm; European Standard
Utility CD	7B000-000087-RS	1	
Touch Pen	43125-0002C0-00-RS	1	
One Key Recovery CD		1	
RJ45 to RS-232 Transfer Cable	32005-000200-200-RS	1	300MM; RJ-45 to RS-232 transfer cable

1

IEI Mobile Solutions

2

Automation Panel Solutions

3

PACSmate Medical Solutions

4

Optional Peripherals

12.1" XGA AFOLUX Panel PC

AFL-12A-LX

AMD Geode™ LX 800 500 MHz Processor

AFL-12A-N270

Intel® Atom™ N270 1.6GHz Processor

AFL-12A-N26

Intel® Atom™ N2600 1.6GHz Processor



Features

- 12.1" TFT LED backlight LCD with resistive touch screen
- Fanless cooling system
- 9V~28V wide range DC power input (for Intel® N2600 platform)
- Selectable AT/ATX power mode through the switch inside the chassis
- One CompactFlash® slot
- IP 64 compliant front panel
- IEI One Key Recovery solution allows you to create rapid OS backup and recovery (Suggest over 4GB storage capacity)



Specifications

Model	AFL-12A-LX	AFL-12A-N270	AFL-12A-N26
LCD Size		12.1"	
Max Resolution		1024 x 768	
Brightness (cd/m ²)		500	
Contrast Ratio		700 : 1	
LCD Color		262K	
Pixel Pitch (mm)		0.240 (H) x 0.240 (V)	
Viewing Angle (H-V)		160° / 160°	
Backlight MTBF		50000 (LED Backlight)	
SBC Model	AFLMB-LX-800	AFLMB-945GSE-N270-R10	AFLMB-CV-N2600-R10
CPU	AMD Geode™ LX 800 (500MHz)	Intel® Atom™ processor N270 1.6GHz CPU	Intel® Atom™ N2600 dual core 1.6 GHz CPU
Chipset	AMD LX 800 + AMD CS5536	Intel® 945GSE + ICH7M	Intel® NM10
RAM	Supports one 333MHz or 400MHz DDR SO-DIMM (Max. 1GB)	Supports one 400MHz or 533MHz DDR2 SO-DIMM (Max. 2GB)	One 800 MHz 204-pin DDR3 SO-DIMM slot (Max. 2GB) pre-installed with 2GB
I/O Ports	1 x RS-232 COM Port 1 x RS-232/422/485 COM Port 2 x RJ-45 for 10/100Mbps LAN 2 x USB 2.0 1 x Power Switch 1 x Reset Button 1 x Power Jack 1 x Audio Port	1 x RS-232 COM Port 1 x RS-232/422/485 COM Port 2 x RJ-45 for Giga LAN 4 x USB 2.0 1 x Power Switch 1 x Reset Button 1 x External SATA 1 x Audio Port 1 x Power Jack	1 x 9-28V lockable DC Jack 1 x RJ-45 for RS-232 1 x RS-232/422/485 1 x VGA 2 x GbE LAN 4 x USB 2.0 1 x Power switch 1 x Reset button 1 x AT/ATX switch 1 x Line out
Storage		CF Type II	mSATA
Watchdog Timer		Software programmable supports 1~255 sec. system reset	
Audio		AMP 1.5W + 1.5W (internal speaker)	AMP 2W + 2W (internal speaker)
Wireless Connection	1 x Wireless LAN 802.11 b/g Module (internal Mini PCI interface)	1 x Wireless LAN 802.11b/g/n Module (internal PCIe Mini card interface)	1 x Wireless LAN 802.11b/g/n Module (internal PCIe Mini card interface) Telec certified
Drive Bay	1 x 2.5" IDE HDD bay	1 x 2.5" SATA HDD bay	1 x 2.5" SATA HDD & 1 x mSATA SSD
Construction Front Panel		ABS + PC Plastic front frame	
LED Function		1 x Power on/off LED on front panel	
Mounting		Panel, Wall, Rack, Stand and Arm VESA 75mm x 75mm / 100mm x 100mm	
Front Panel Color		Gray 7539U	
Dimensions (WxHxD) (mm)		304 x 246 x 50	
Operation Temperature (°C)	0°C ~ 50°C	0°C ~40°C with SATA HDD -10°C ~50°C with CF Card or SATA interface 2.5" SSD HDD	-10°C~50°C
Storage Temperature (°C)		-20°C ~ 60°C	
N/G Weight		1.8 Kg	
IP Level		IP 64 compliant front panel	
Safety & EMC		CE / FCC	
Touch Screen		5-wire resistive type (touch controller IC is on board)	
Power Adapter	P/N: 63000-FSP036RAB608-RS 36W Power Adapter (Meet PSE) Input: 90VAC~264VAC, 50/60Hz Output: 12VDC	P/N: 63040-010060-030-RS 60W Power Adapter (Meet PSE) Input: 90VAC~264VAC, 50/60Hz Output: 12VDC	P/N: 63040-010060-040-RS 60W Power Adapter (Meet PSE) Input: 90VAC~264VAC, 50/60Hz Output: 12VDC
Power Requirement	12VDC	12VDC	9-28V DC
Power Consumption	29W	32W	32W

1
IEIMobile Solutions

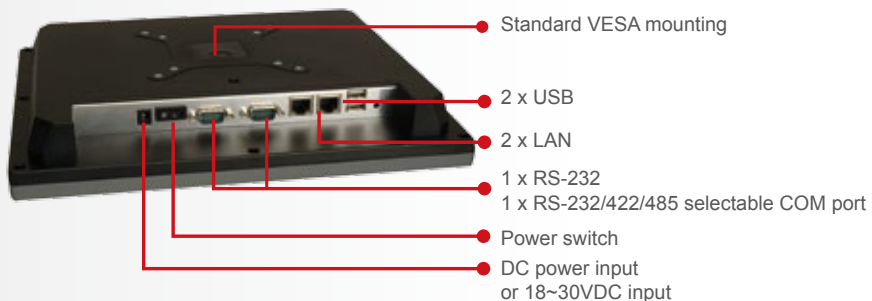
2
Automation Panel Solutions

3
PACSmate Medical Solutions

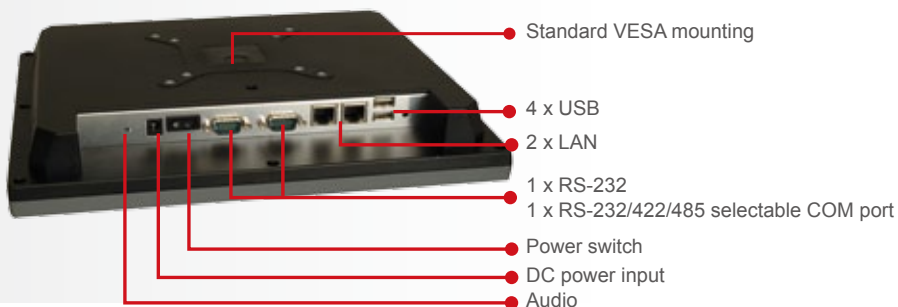
4
Optional Peripherals

Fully Integrated I/O

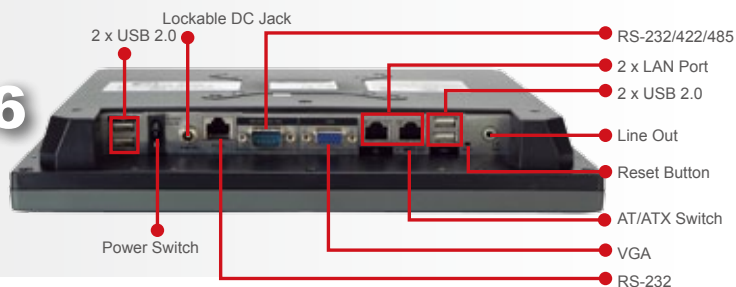
AFL-12A-LX



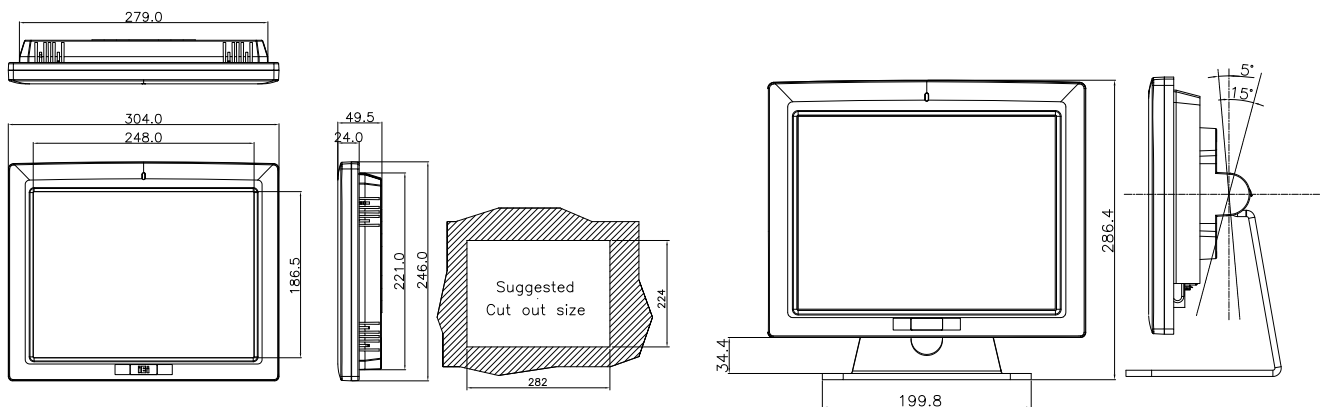
AFL-12A-N270



AFL-12A-N26



AFL-12A Dimensions (Unit: mm)



Ordering Information

Part Number	Description
AFL-12A-LX/R/512-R22	12.1" 500 cd/m ² , XGA fanless panel PC with AMD LX-800 CPU, AT/ATX mode, 802.11b/g wireless module, touch screen and 512MB DDR RAM, R22
AFL-12A-N270/R/1G-R23	12.1" 500 cd/m ² , XGA fanless panel PC with Intel® Atom™ N270 1.6GHz, 802.11b/g/n wireless module, capitalize touch screen, 1GB DDR2 533MHz, R23
AFL-12A-N26/R/2G-R10	12.1" 500cd/m ² , XGA fanless panel PC with Intel® Atom™ cedarview N2600 dual core 1.6GHz, 802.11b/g/n wireless module, touch screen, 2GB DDR3, R10

Options

Model	AFL-12A-LX	AFL-12A-N270	AFL-12A-N26
Panel Mounting Kit	AFLPK-12		
Wall Mounting Kit	AFLWK-12		
Rack Mounting Kit	AFLRK-12		
Arm	ARM-11-RS / ARM-31-RS		
Stand	STAND-A12-RS/STAND-100-RS	STAND-A12-RS / STAND-100-RS	
VSTAND	VSTAND-A12		
9~30VDC to 12VDC Converter Module	IDD-930160-KIT		
OS: Win CE 5.0 (128 MB CF card)	AFLCF-12-LX-CE-R21	--	--
OS: Win XPE (1 GB CF card)	AFLCF-12-LX-XPE-R21	AFLCF-07-N270-XPE-R23	AFL-W07-N26-XPE-R10*
OS: Win 7 Embedded (4 GB CF card or CD-ROM)	--	AFLCF-07-N270-WES7E-R23	AFL-W07-N26-WES7E-R10*
Magnetic Stripe Reader	AFLP-12AMSR-U		
DC 12V Input UPS	AUPS-A10-R10 (7.4V 3800mAH)		
DC 9~36V Input UPS	AUPS-A20-R10 (7.4V 3800mAH)		
Bluetooth V2.0+EDR	AFL-BT-KIT02-R10	AFL-BT-KIT03-R10	AFL-BT-KIT01-R10
DC jack to terminal block power converter cable	32002-005500-100-RS		

ISMM Supported Functions

	Voltage	Fan	Smart Fan	Temperature	DIO	WDT	Cash Drawer
AFL-12A-LX	V			V		V	
AFL-12A-N270	V			V		V	
AFL-12A-N26	V			V		V	

Packing List

Item	Part Number	Q'ty	Specification
Screw Pack	44013-030041-RS	4	M3; 5mm
Power Adpater	63000-FSP036RAB608-RS 63040-010060-040-RS 63040-010060-030-RS	1	90~264V AC; 12V DC; 36W (for LX) (Meet PSE) 90~264V AC; 12V DC; 60W (for N2600) (Meet PSE) 90~264V AC; 12V DC; 60W (N270) (Meet PSE)
Power Cord	32000-000002-RS	1	1750mm; European Standard
Utility CD	7B000-000087-RS	1	
Touch Pen	43125-0002C0-00-RS	1	
One Key Recovery CD		1	
RJ45 to RS-232 Transfer Cable	32005-000200-200-RS	1	300MM; RJ45 to RS-232 transfer cable

1

IEIMobile Solutions

2

Automation Panel Solutions

3

PACSmate Medical Solutions

4

Optional Peripherals

15" XGA AFOLUX Panel PC

AFL-15A(E)-N270

Intel® Atom™ N270 1.6GHz Processor



Features

- 15" TFT LCD with resistive touch screen
- System memory up to 2 GB RAM
- Built-in 802.11b/g (or 802.11b/g/n) wireless LAN
- Selectable AT/ATX power mode through the switch inside the chassis
- Built-in two speakers
- One CompactFlash® slot
- IP 64 compliant front panel
- IEI One Key Recovery solution allows you to create rapid OS backup and recovery (over 4GB storage capacity is suggested)



Specifications

Model	AFL-15A(E)-N270 Fanless
LCD Size	15"
Max Resolution	1024 x 768
Brightness (cd/m ²)	250
Contrast Ratio	700:1
LCD Color	262K or 16.7M
Pixel Pitch (mm)	0.297(H) x 0.297(V)
Viewing Angle (H-V)	160°/140° or 170°/160°
Backlight MTBF	50000 or 30000 hrs
SBC Model	AFLMB2-945GSE-N270-R10
CPU	Intel® Atom™ N270 1.6GHz processor
Chipset	Intel® 945GSE + ICH7M
RAM	Supports one 400MHz or 533MHz DDR2 SO-DIMM (Max. 2GB)
I/O Ports	1 x RS-232 COM Port 1 x RS-232/422/485 COM Port 2 x RJ-45 for GbE 4 x USB 2.0 1 x Power Switch 1 x Reset Button 1 x Audio Port (line-out) 1 x VGA Port 1 x Power Jack
Storage	CF Type II
Watchdog Timer	Software programmable supports 1~255 sec. system reset
Audio	AMP 1.5W + 1.5W (internal speakers)
Wireless Connection	1 x Wireless LAN 802.11b/g/n Module (internal PCIe Mini interface) (AFL-15A-N270 with telec certified)
Construction Front Panel	ABS + PC Plastic front frame
LED Function	1 x Power on/off LED on front panel
Mounting	Panel, Wall, Rack, Stand and Arm, VESA 100mm x 100mm
Front Panel Color	Sliver (877U) & Gray (ABSA2037)
Dimensions (WxHxD) (mm)	394 x 309 x 61
Operation Temperature (°C)	0°C ~40°C with SATA HDD -10°C ~50°C with CF Card or SATA interface 2.5" SSD HDD
Storage Temperature (°C)	-20°C ~ 60°C
N/G Weight	3.2 Kg
IP Level	IP 64 compliant front panel
Safety & EMC	CE / FCC
Touch Screen	5-wire resistive type (Touch controller IC is on board) or Capacitive type touch screen without HDD bay
Power Adapter	P/N: 63040-010060-050-RS 60W Power Adapter (Meet PSE) Input: 90VAC~264VAC, 50/60Hz / Output: 12VDC
Power Requirement	12VDC
Power Consumption	49W

1
IEI Mobile Solutions

2
Automation Panel Solutions

3
PACsmate Medical Solutions

4
Optional Peripherals

15" XGA AFOLUX Panel PC

AFL-15i(E)-HM55

Intel® Core™ i7/i5/i3/Celeron® Processor



NEW Features in HM55 Platform :

- Powered by high performance 2.66 GHz Intel® Core i7-620M CPU with Intel® HM55 chipset
- DDR3 1066MHz system memory up to 4GB
- HDMI/VGA port delivers high quality image on the second display
- IEI One Key Recovery solution allows you to create rapid OS backup and recovery (over 4GB storage capacity is suggested)



Specifications

Model	AFL-15i(E)-HM55
LCD Size	15"
Max Resolution	1024 x 768
Brightness (cd/m ²)	400 or 250
Contrast Ratio	700:1
LCD Color	262K or 16.7M
Pixel Pitch (mm)	0.297(H) x 0.297(V)
Viewing Angle (H-V)	160°/140° or 170°/160°
Backlight MTBF	50000 hrs (LED backlighting) or 30000 hrs
SBC Model	AFLMB2-HM55-R10
CPU	Intel® Core™ i7/i5/i3/Celeron® Processor
Chipset	Intel® HM55
RAM	Two 204-pin 800/1066MHz DDR3 dual-channel SO-DIMMs supported (Max. 8GB)
I/O Ports	1 x RS-232 COM Port 1 x RS-232/422/485 COM Port 2 x RJ-45 for Giga LAN 4 x USB 2.0 1 x Power Switch 1 x Reset Button 1 x Audio Port (Line-out) 1 x VGA 1 x Power Jack 1 x HDMI Port
Storage	SATA SSD
Watchdog Timer	Software programmable supports 1~255 sec. system reset
Audio	AMP 3W + 3W (internal speakers)
Wireless Connection	1 x Wireless LAN 802.11b/g/n Module (internal PCIe Mini card interface) (AFL-15i-HM55 with telec certified)
Drive Bay	1 x 2.5" SATA HDD bay
Construction Front Panel	ABS + PC Plastic front frame
Membrane Keypad	LCD on/off, Brightness up/down, Volume up/down (5 keys)
LED Function	1 x Power on/off LED on front panel
Mounting	Panel, Wall, Rack, Stand and Arm VESA 100mm x 100mm
Front Panel Color	Sliver (877U) & Gray (ABSA2037)
Dimensions (WxHxD) (mm)	394 x 309 x 66
Operation Temperature (°C)	0°C~50°C
Storage Temperature (°C)	-20°C ~ 60°C
N/G Weight	5.8 Kg
IP Level	Front Frame IP64
Touch Screen	Resistive Type 5-Wire (Touch controller IC is on board) or Capacitive type touch screen without HDD bay
Power Adapter	P/N: 63040-010096-010-RS 96W Power Adapter (Meet PSE) Input: 90VAC~264VAC, 50/60Hz Output: 12VDC
Power Requirement	12VDC
Power Consumption	80W

1

IEIMobile Solutions

2

Automation Panel Solutions

3

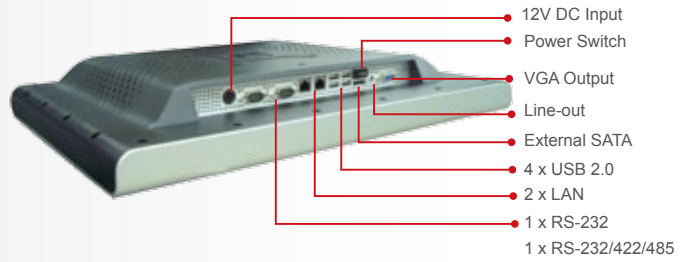
PACSmate Medical Solutions

4

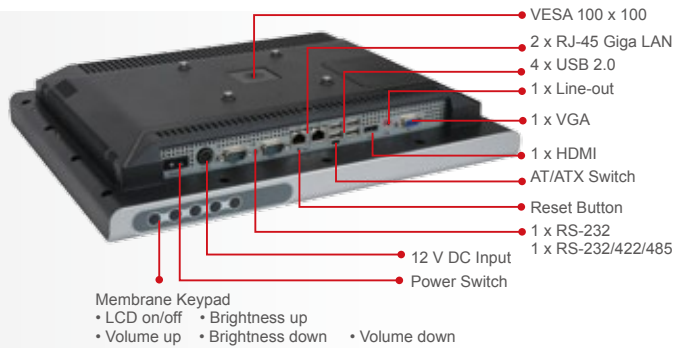
Optional Peripherals

Fully Integrated I/O

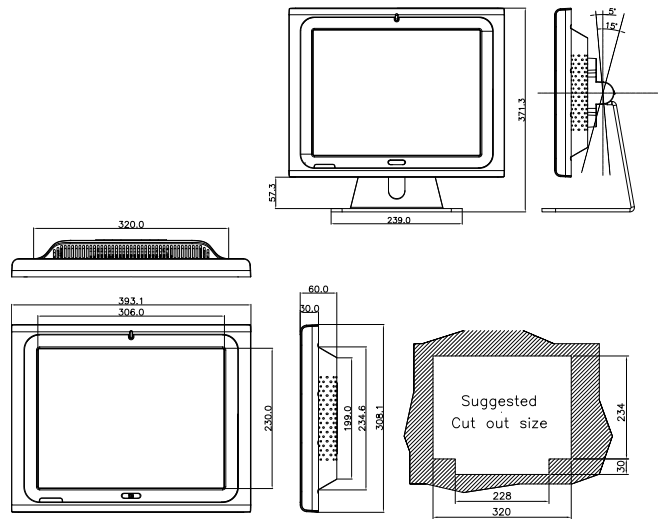
AFL-15A-N270



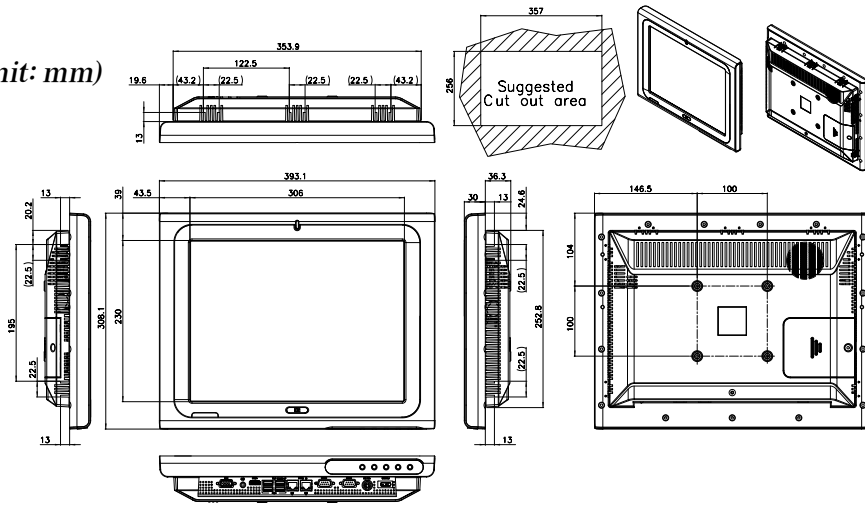
AFL-15i-HM55



AFL-15A Dimensions (Unit: mm)



AFL-15i Dimensions (Unit: mm)



Ordering Information

• High Luminance (400 cd/m²)

Part Number	Description
AFL-15A-N270/R/1G-R30	15" 400cd/m ² XGA LED backlighting fanless panel PC with Intel® Atom™ N270 1.6GHz CPU, 1GB DDR2 RAM, 802.11b/g/n wireless module, touch screen, R30
AFL-15i-HM55-P45/R/1G-R20	15" 400cd/m ² XGA LED backlighting panel PC with Intel® Celeron P4500 1.86G CPU, 1GB DDR3 RAM, 802.11b/g/n wireless module, touch screen, R20
AFL-15i-HM55i3-35/R/2G-R20	15" 400cd/m ² XGA LED backlighting panel PC with Intel® Core™ i3-350M 2.26G CPU, 2GB DDR3 RAM, 802.11b/g/n wireless module, touch screen, R20
AFL-15i-HM55i5-52/R/2G-R20	15" 400cd/m ² XGA LED backlighting panel PC with Intel® Core™ i5-520M 2.4G CPU, 2GB DDR3 RAM, 802.11b/g/n wireless module, touch screen, R20
AFL-15i-HM55i7-62/R/2G-R20	15" 400cd/m ² XGA LED backlighting panel PC with Intel® Core™ i7-620M 2.66G CPU, 2GB DDR3 RAM, 802.11b/g/n wireless module, touch screen, R20

• Regular Luminance (250 cd/m²)

Part Number	Description
AFL-15AE-N270/R/1G-R22	15" 250cd/m ² XGA fanless panel PC with Intel® Atom™ N270 1.6GHz CPU, 1GB DDR2 RAM, 802.11b/g/n wireless module, touch screen, R22
AFL-15iE-HM55-P45/R/1G-R12	15" 250cd/m ² XGA panel PC with Intel® Celeron P4500 1.86G CPU, 1GB DDR3 RAM, 802.11b/g/n wireless module, touch screen, R12
AFL-15iE-HM55i3-35/R/2G-R12	15" 250cd/m ² XGA panel PC with Intel® Core™ i3-350M 2.26G CPU, 2GB DDR3 RAM, 802.11b/g/n wireless module, touch screen, R12
AFL-15iE-HM55i5-52/R/2G-R12	15" 250cd/m ² XGA panel PC with Intel® Core™ i5-520M 2.4G CPU, 2GB DDR3 RAM, 802.11b/g/n wireless module, touch screen, R12
AFL-15iE-HM55i7-62/R/2G-R12	15" 250cd/m ² XGA panel PC with Intel® Core™ i7-620M 2.66G CPU, 2GB DDR3 RAM, 802.11b/g/n wireless module, touch screen, R12

ISMM Supported Functions

	Voltage	Fan	Smart Fan	Temperature	WDT	Cash Drawer
AFL-15i(E)-HM55	V	V	V	V	V	
AFL-15A(E)-N270	V			V	V	

Packing List

Item	Part Number	Q'ty	Specification
Screw Pack	44013-030041-RS	4	M3;5mm
Power Adpater	63040-010060-050-RS 63040-010060-050-RS	1	90~264V AC; 12V DC; 60W (15A(E)-N270) (Meet PSE) 90~264V AC; 12V DC; 96W (15i(E)-HM55) (Meet PSE)
Power Cord	32000-000002-RS	1	1750mm; European Standard
Utility CD	7B000-000087-RS	1	
Touch Pen	43125-0002C0-00-RS	1	
One Key Recovery CD		1	

Options

Model	AFL-15A(E)-N270	AFL-15i(E)-HM55
Panel Mounting Kit	AFLPK-15	AFLPK-15B
Wall Mounting Kit	AFLWK-19B	
Rack Mounting Kit	AFLRK-15-R11	N/A
Arm	ARM-11-RS / ARM-31-RS	
Stand	STAND-A19-RS / STAND-A21-R10-R10 / STAND-210-R11	
OS: Win CE 6.0 (128 MB CF card)	AFLCF-15-N270-CE060-R30	--
OS: Win XPE (1 GB CF card)	AFLCF-15-N270-XPE-R30	AFLSD-15-HM55-2G-XPE-R20 (2GB SATA SSD)
OS: Win 7 Embedded (2GB CF card)	AFLCF-15-N270-WES7E-R30	AFLSD-15-HM55-4G-WES7E-R20 (4GB SATA SSD)
Hybrid Card Reader	AFLP-17AMSI-U	
Magnetic Stripe Reader	AFLP-17AMSR-U	
DC 12V Input UPS	AUPS-B10-R10 (14.8V 3800MAH)	
DC 9~36V Input UPS	AUPS-B20-R10 (14.8V 3800MAH)	
Bluetooth V2.0+EDR	AFL-BT-KIT04-R10	AFL-BT-KIT01-R10

1

IEIMobile
Solutions

2

Automation
Panel
Solutions

3

PACSmate
Medical
Solutions

4

Optional
Peripherals

15" Wide 1366 x 768 AFOLUX Panel PC

AFL-W15A-N270

Intel® Atom™ N270 1.6GHz Processor

**16:9
Wide Screen**



Membrane Keypad for LCD On/Off, Brightness Down/Up, Volume Down/Up, Lock, Ambient Light Sensor On/Off Control



Ambient Light Sensor



2-mega Pixel Camera (with Low Light Function) and Digital Microphone



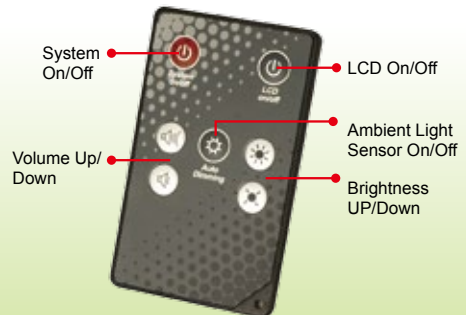
HDMI High-Definition Multimedia Interface (for GM45 Systems Only)

Features

- 15" wide screen all-in-one system with resistive touch panel
- IEEE 802.11b/g/n Wi-Fi connection
- Ambient light sensor detects ambient light for automated screen adjustments.
- VESA-mountable for flexibility in mounting and deployment
- Membrane keypad to control LCD backlight, panel brightness, speakers volume, ambient light sensor and lock the keypad functions
- Software system settings utility support
- Support for Windows CE, Windows XP Embedded and Linux (optional)
- IP 64 compliant front panel



Infrared Remote Control

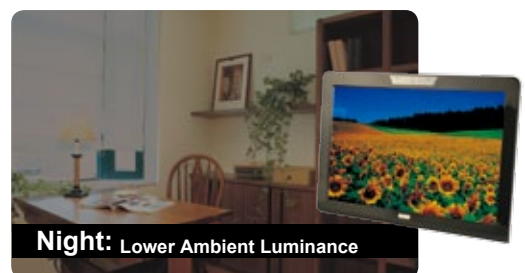


Ambient Light Sensor

The AFL-W15A series has a built-in ambient light sensor on the front panel to automatically detect the amount of light in the viewing environment and auto-adjust the brightness of the screen.

Benefits:

- More comfortable viewing decreases eye strain and tiredness
- Power consumption saving
- Extend lamp lifetime



1

IEI Mobile Solutions

2

Automation Panel Solutions

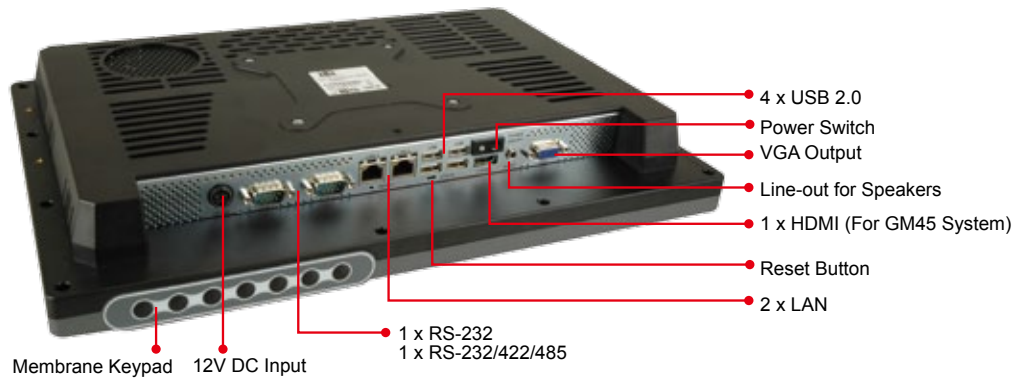
3

PACsmate Medical Solutions

4

Optional Peripherals

Fully Integrated I/O



Specifications



Model	AFL-W15A-N270
LCD Size	15.6"
Max Resolution	1366 x 768
Brightness (cd/m ²)	300
Contrast Ratio	500 : 1
LCD Color	16.7M
Pixel Pitch (mm)	0.252 (W) x 0.252 (H)
Viewing Angle (H-V)	170° / 160°
Backlight MTBF	50000 hrs (LED backlight)
SBC Model	AFLMB2-945GSE-N270-R10
CPU	Intel® Atom™ N270 1.6GHz CPU
Chipset	Intel® 945GSE + ICH7M
RAM	Supports one 400MHz or 533MHz DDRII SO-DIMM (Max. 2GB)
I/O Ports	1 x RS-232 COM Port 1 x RS-232/422/485 COM Port 2 x RJ-45 for Giga LAN 4 x USB 2.0 1 x Power Switch 1 x Reset Button 1 x Audio Port 1 x VGA Port 1 x Power Jack
SSD	CF Type II
Watchdog Timer	Software programmable supports 1~255 sec. system reset
Audio	AMP 3W + 3W (internal speakers)
Camera Module	2megapixel camera (with low light function) and digital microphone
Wireless Connection	1 x Wireless LAN 802.11b/g/n Module (internal PCIe Mini card interface) Telec certified
Construction Front Panel	ABS + PC Plastic front frame
Membrane Keypad	LCD On/Off, Brightness Down/Up, Volume Down/Up, Lock, Ambient Light Sensor On/Off (OSD Lock: Lock button+ ALS button) (7 keys)
Infrared Remote Control	LCD On/Off, Brightness Up/Down, Volume Up/Down, System On/Off, Ambient Light Sensor On/Off
Ambient Light Sensor	Yes
Mounting	Panel, Wall, Stand and Arm VESA 100mm x 100mm
Front Panel Color	Gray 7539U
Dimensions (WxHxD) (mm)	400 x 273 x 63
Operation Temperature (°C)	0°C ~40°C with SATA HDD -10°C ~50°C with CF Card or SATA interface 2.5" SSD HDD
Storage Temperature (°C)	-20°C ~60°C
N/G Weight	3.3 Kg
IP Level	IP 64 compliant front panel
Safety & EMC	CE / FCC
Touch Screen	5-wire Resistive Type (Touch controller IC is on board)
Power Adapter	P/N: 63040-010060-050-RS 60W Power Adapter (Meet PSE) Input: 90VAC~264VAC, 50/60Hz Output: 12VDC
Power Requirement	12VDC
Power Consumption	50W

1

IEIMobile Solutions

2

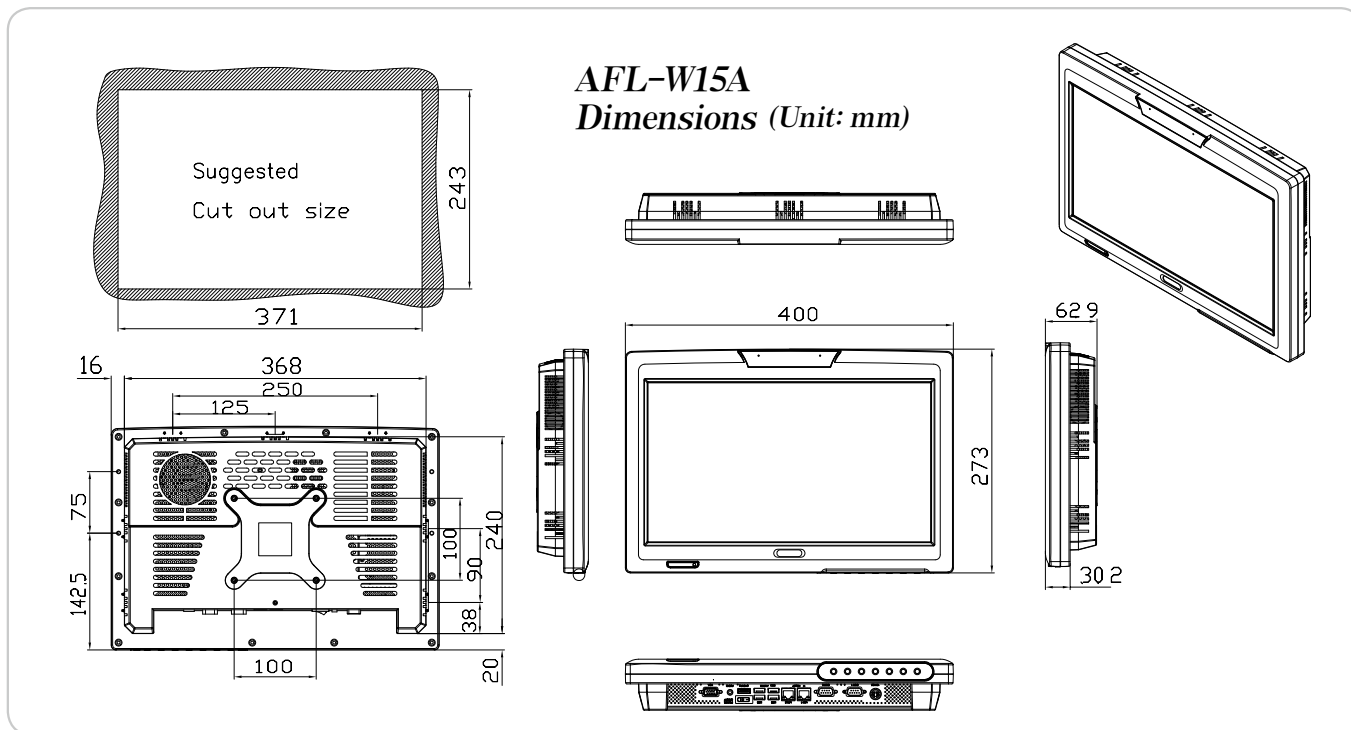
Automation Panel Solutions

3

PACSmate Medical Solutions

4

Optional Peripherals



Ordering Information

Part Number	Description
AFL-W15A-N270/R/1G-R30	15.6" 300cd/m ² 1366x768 LED backlighting panel PC with Intel® Atom™ N270 1.6GHz CPU, 1GB DDR2 RAM, 802.11b/g/n wireless module, touch screen, 2megapixel camera, microphone, R30

Options

Model	AFL-W15A-N270
Panel Mounting Kit	AFLPK-15B
Wall Mounting Kit	AFLWK-19B
Rack Mounting Kit	AFLRK-W15
Arm	ARM-11-RS / ARM-31-RS
Stand	STAND-A19-RS / STAND-A21-R10 / STAND-210-R11
OS: Win CE 6.0 (128 MB CF card)	AFLCF-15-N270-CE060-R30
OS: Win XPE (1 GB CF card)	AFLCF-15-N270-XPE
OS: Win 7 Embedded (4GB CF card)	AFLCF-15-N270-WES7E-R30
Hybrid Card Reader	AFLP-W15AMSI-U
Magnetic Stripe Reader	AFLP-W15AMSR-U
DC 12V Input UPS	AUPS-B10-R10 (VESA 100, DC 12V input, 12V output 100W UPS module with 3800mAH)
DC 9~36V Input UPS	AUPS-B20-R10 (VESA 100, DC 9~36V input, 12V output 100W UPS module with 3800mAH)
Bluetooth V2.0+EDR	AFL-BT-KIT04-R10

Note: Win CE application without digital microphone function

Packing List

Item	Part Number	Q'ty	Specification
Screw Pack	44013-030041-RS	4	M3; 5mm
Power Adpater	63000-FSP060DBAB1554-RS	1	90~264V AC; 12V DC; 60W (W15A-N270) (Meet PSE)
Power Cord	32000-000002-RS	1	1750mm (EU or US, depending on the shipment country)
Utility CD	7B000-000087-RS	1	
Touch Pen	43125-0002C0-00-RS	1	
One Key Recovery CD		1	

ISMM Supported Functions

	Voltage	Fan	Smart Fan	Temperature	WDT	Cash Drawer
AFL-W15A-N270	V			V	V	

1

IEI Mobile Solutions

2

Automation Panel Solutions

3

PACsmate Medical Solutions

4

Optional Peripherals

17" SXGA AFOLUX Panel PC

AFL-17i(E)-HM55

Intel® Core™ i7/i5/i3/Celeron® Processor



New HM55 Platform Features:

- Powered by high performance 2.66 GHz Intel® Core i7-620M CPU with Intel® HM55 chipset
- DDR3 1066MHz system memory up to 4GB
- HDMI port delivers high image quality on the second display
- IEI One Key Recovery solution allows you to create rapid OS backup and recovery (over 4GB storage capacity is suggested)



Specifications

Model	AFL-17i-HM55
LCD Size	17"
Max Resolution	1280 x 1024
Brightness (cd/m ²)	380
Contrast Ratio	800 : 1
LCD Color	16.7M
Pixel Pitch (mm)	0.264 (H) x 0.264 (V)
Viewing Angle (H-V)	160° / 160°
Backlight MTBF	50000 hrs
SBC Model	AFLMB2-HM55-R10
CPU	Intel® Core™ i7/i5/i3/Celeron® Processor
Chipset	Intel® HM55
RAM	Two 204-pin 800/1066MHz DDR3 dual-channel SO-DIMMs supported (Max. 8GB)
I/O Ports	1 x RS-232 COM Port 1 x RS-232/422/485 COM Port 2 x RJ-45 for Giga LAN 4 x USB 2.0 1 x Power Switch 1 x Reset Button 1 x Audio Port (Line-Out) 1 x VGA 1 x Power Jack 1 x HDMI Port
Storage	SATA SSD
Watchdog Timer	Software programmable supports 1~255 sec. system reset
Audio	AMP 3W + 3W (internal speakers)
Wireless Connection	1 x Wireless LAN 802.11b/g/n Module (internal PCIe Mini card interface)
Drive Bay	1 x 2.5" SATA HDD bay
Construction Front Panel	ABS + PC Plastic front frame
Membrane Keypad	LCD On/Off, Brightness Up/Down, Volume Up/Down (5 keys)
LED Function	1 x Power on/off LED on front panel
Mounting	Panel, Wall, Rack, Stand and Arm VESA 100mm x 100mm
Front Panel Color	Sliver (877U) & Gray (ABSA2037)
Dimensions (WxHxD) (mm)	428 x 350 x 71
Operation Temperature (°C)	0°C ~ 50°C
Storage Temperature (°C)	-20°C ~60°C
N/G Weight	6.0 Kg
IP Level	IP 64 compliant front panel
Touch Screen	5-wire resistive type (touch controller IC is on board) or Capacitive type touch screen without HDD bay
Power Adapter	P/N: 63000-FSP096AHB-RS 96W Power Adapter (Meet PSE) Input: 90VAC~264VAC, 50/60Hz Output: 12VDC
Power Requirement	12VDC
Power Consumption	85W

1

IEIMobile Solutions

2

Automation Panel Solutions

3

PACSmate Medical Solutions

4

Optional Peripherals

17" SXGA AFOLUX Panel PC

AFL-17D-N270

Intel® Atom™ N270 1.6GHz Processor

**Deep Glossy
Black Surface**



Digital Camera:
300K Camera with Low Light Function



5-key membrane keypad



Easy access CF card



Convenient USBs on the side



Built-in ODD (optional)

Specifications

Fanless

Model	AFL-17D-N270
LCD Size	17"
Max Resolution	1280 x 1024
Brightness (cd/m ²)	300
Contrast Ratio	800 : 1
LCD Color	16.7M
Pixel Pitch (mm)	0.264 (H) x 0.264 (V)
Viewing Angle (H-V)	160° / 160°
Backlight MTBF	50000 hrs
SBC Model	AFLMB2-N270-R10
CPU	Intel® Atom™ processor N270 1.6GHz CPU
Chipset	Intel® 945GSE + ICH7M
RAM	Supports one 400MHz or 533MHz DDR2 SO-DIMMs (Max. 2GB)
I/O Ports	1 x RS-232 COM port 1 x RS-232/422/485 COM port 2 x RJ-45 for Giga LAN 4 x USB 2.0 1 x Power switch 1 x Reset button 1 x Audio port 1 x VGA port 1 x Power jack
Storage	CF Type II
Watchdog Timer	Software programmable supports 1~255 sec. system reset
Audio	AMP 3W + 3W (internal speakers)
Camera Module	300K pixel with digital microphone
Wireless Connection	1 x Wireless LAN 802.11b/g/n Module (internal PCIe Mini card interface) Telec certified
Drive Bay	1 x 2.5" SATA HDD bay, 1 x Slim Type CD-ROM bay
Construction Front Panel	ABS + PC Plastic front frame
Membrane Keypad	LCD On/Off, Brightness Up/Down, Volume Up/Down (5 keys)
LED Function	1 x Power on/off LED on front panel
Mounting	Panel, Wall, Rack, Stand and Arm VESA 100mm x 100mm
Front Panel Color	Black C
Dimensions (WxHxD) (mm)	410 x 349 x 83
Operation Temperature (°C)	0°C ~40°C with SATA HDD -10°C ~50°C with CF Card or SATA interface 2.5" SSD HDD
Storage Temperature (°C)	-20°C ~60°C
N/G Weight	6.2 Kg
IP Level	IP 64 compliant front panel
Safety & EMC	CE / FCC
Touch Screen	5-wire resistive type (touch controller IC is on board) or Capacitive type touch screen without HDD bay
Power Adapter	P/N: 63000-FSP084DMBA1308-RS 84W Power Adapter Input: 90VAC~264VAC, 50/60Hz Output: 12VDC
Power Requirement	12VDC
Power Consumption	58W

1

IEI Mobile Solutions

2

Automation Panel Solutions

3

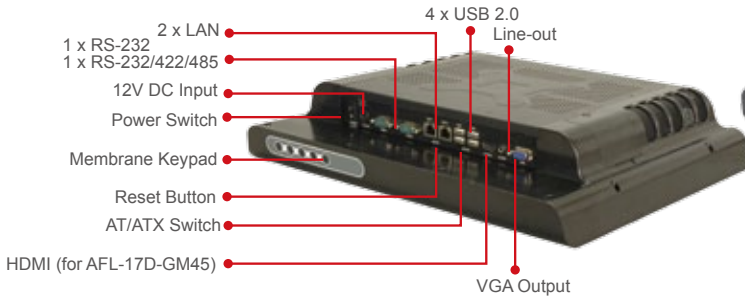
PACSmate Medical Solutions

4

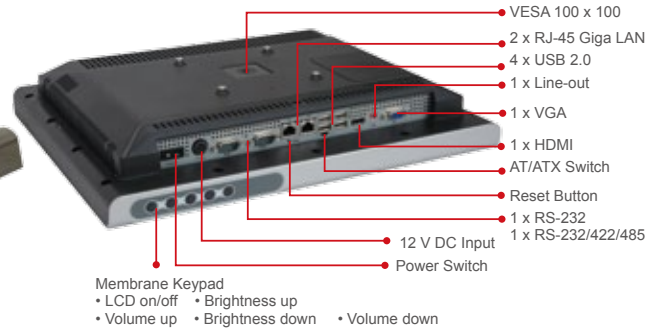
Optional Peripherals

Fully Integrated I/O

• AFL-17D-N270

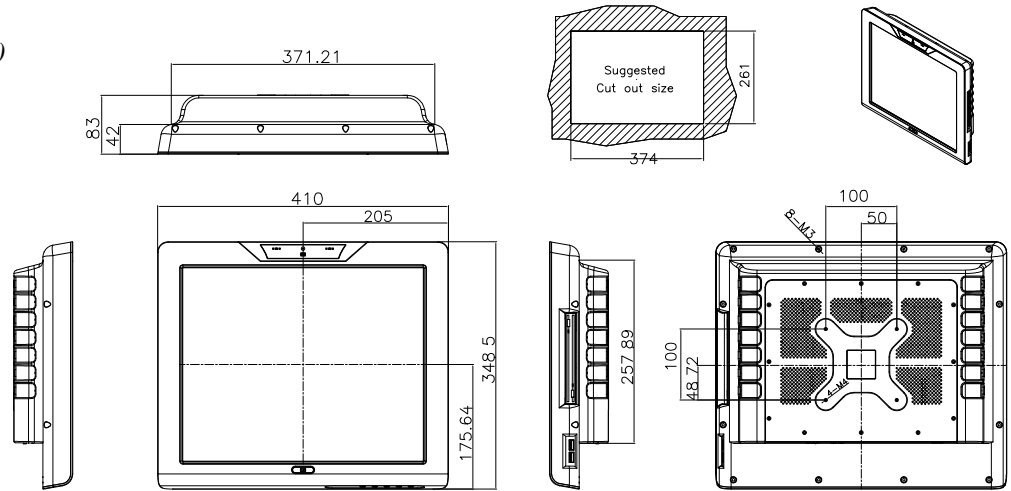


• AFL-17i-HM55



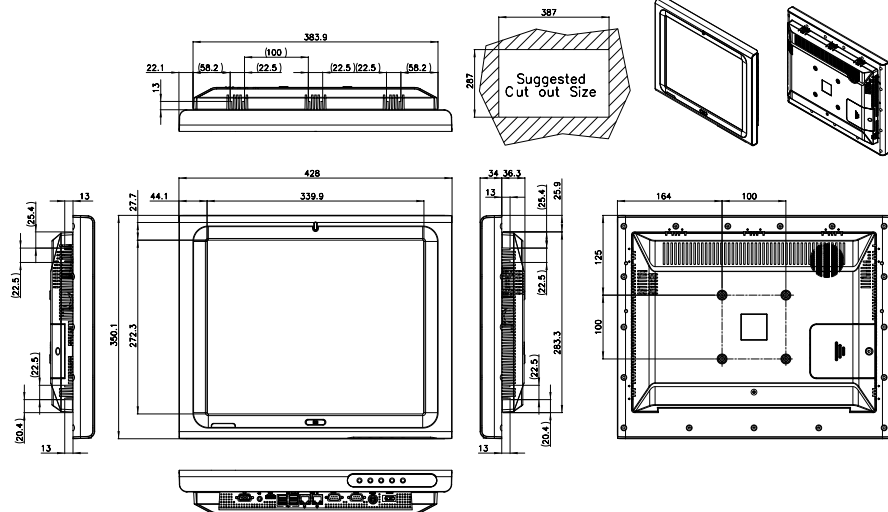
AFL-17D

Dimensions (Unit: mm)



AFL-17i-HM55

Dimensions (Unit: mm)



Ordering Information

Part Number	Description
AFL-17D-N270/R/1G-R23	17" 300cd/m ² SXGA fanless panel PC with Intel® Atom™ N270 1.6GHz CPU, 1GB DDR2 RAM, 802.11b/g/n wireless module, touch screen, 2M camera, microphone, R23
AFL-17D-N270/RD/1G-R23	17" 300cd/m ² SXGA fanless panel PC with Intel® Atom™ N270 1.6GHz CPU, 1GB DDR2 RAM, 802.11b/g/n Wi-Fi, touch screen, 2M camera, microphone, DVD-COMBO, R23
AFL-17i-HM55-P45/R/1G-R12	17" 380cd/m ² SXGA panel PC with Intel® Celeron® P4500 1.86G CPU, 1GB DDR3 RAM, 802.11b/g/n wireless module, touch screen, R12
AFL-17i-HM55i3-35/R/2G-R12	17" 380cd/m ² SXGA panel PC with Intel® Core™ i3-350M 2.26G CPU, 2GB DDR3 RAM, 802.11b/g/n wireless module, touch screen, R12
AFL-17i-HM55i5-52/R/2G-R12	17" 380cd/m ² SXGA panel PC with Intel® Core™ i5-520M 2.4G CPU, 2GB DDR3 RAM, 802.11b/g/n wireless module, touch screen, R12
AFL-17i-HM55i7-62/R/2G-R12	17" 380cd/m ² SXGA panel PC with Intel® Core™ i7-620M 2.66G CPU, 2GB DDR3 RAM, 802.11b/g/n wireless module, touch screen, R12

ISMM Supported Functions

	Voltage	Fan	Smart Fan	Temperature	WDT
AFL-17i-HM55	V	V	V	V	V
AFL-17D-N270	V			V	V

Packing List

Item	Part Number	Q'ty	Specification
Screw Pack	44013-030041-RS	4	M3; 5mm
Power Adpater	63000-FSP084DMBA1308-RS 63000-FSP084DMBA1308-RS 63000-FSP096AHB-RS	1	90~264V AC; 12V DC; 84W (17D-N270) 90~264V AC; 12V DC; 96W (17i-HM55) (Meet PSE)
Power Cord	32000-000002-RS	1	1750mm; European Standard
Utility CD	7B000-000087-RS	1	
Touch Pen	43125-0002C0-00-RS	1	
One Key Recovery CD		1	

Options

Model	AFL-17D-N270	AFL-17i-HM55
Panel Mounting Kit	AFLPK-17D	AFLPK-17B
Wall Mounting Kit	AFLWK-19B	
Rack Mounting Kit	AFLRK-17D-R11	N/A
Arm	ARM-11-RS / ARM-31-RS	
Stand	STAND-A19-RS / STAND-A21-R10 / STAND-210-R11	
OS: Win CE 6.0 (128 MB CF card)	AFLCF-15-N270-CE060-R30	N/A
OS: Win XPE (1 GB CF card)	AFLCF-15-N270-XPE-R30	AFLSD-15-HM55-2G-XPE-R20 (2GB SATA SSD)
OS: Win 7 Embedded (4GB CF card)	AFLCF-15-N270-WES7E-R30	AFLSD-15-HM55-4G-WES7E-R20 (4GB SATA SSD)
Magnetic Stripe Reader	N/A	AFLP-17BMSR-U
DC 12V Input UPS	AUPS-B10-R10 (VESA 100, DC 12V input, 12V output 100W UPS module with 3800mAh)	
DC 9~36V Input UPS	AUPS-B20-R10 (VESA 100, DC 9~36V input, 12V output 100W UPS module with 3800mAh)	
Bluetooth V2.0+EDR	AFL-BT-KIT04-R10	AFL-BT-KIT01-R10

Note: Win CE application without digital microphone function

1

IEI Mobile Solutions

2

Automation Panel Solutions

3

PACsmate Medical Solutions

4

Optional Peripherals

19" SXGA AFOLUX Panel PC

AFL-19i(E)-HM55

Intel® Core™ i7/i5/i3/Celeron® Processor



New HM55 Platform Features:

- Powered by high performance 2.66 GHz Intel® Core™ i7-620M CPU with Intel® HM55 chipset
- 1066MHz DDR3 system memory up to 4GB
- HDMI port delivers high image quality on the second display
- IEI One Key Recovery solution allows you to create rapid OS backup and recovery (over 4GB storage capacity is suggested)



Specifications

Model	AFL-19i-HM55
LCD Size	19"
Max Resolution	1280 x 1024
Brightness (cd/m ²)	350
Contrast Ratio	1000 : 1
LCD Color	16.7M
Pixel Pitch (mm)	0.294 (H) x 0.294 (V)
Viewing Angle (H-V)	170° / 160°
Backlight MTBF	50000 hrs (LED backlighting)
SBC Model	AFLMB2-HM55-R10
CPU	Intel® Core™ i7/i5/i3/Celeron® Processor
Chipset	Intel® HM55
RAM	Two 204-pin 800/1066MHz DDR3 dual-channel SO-DIMMs supported (Max. 8GB)
I/O Ports	1 x RS-232 COM Port 1 x RS-232/422/485 COM Port 2 x RJ-45 for Giga LAN 4 x USB 2.0 1 x Power Switch 1 x Reset Button 1 x Audio Port (Line-out) 1 x VGA 1 x Power Jack 1 x HDMI Port
Storage	SATA SSD
Watchdog Timer	Software programmable supports 1~255 sec. system reset
Audio	AMP 3W + 3W (internal speakers)
Wireless Connection	1 x Wireless LAN 802.11b/g/n Module (internal PCIe Mini card interface) Telec certified
Drive Bay	1 x 2.5" SATA HDD bay
Construction Front Panel	ABS + PC Plastic front frame
Membrane Keypad	OSD Keypad below the Front Panel (5 keys)
LED Function	1 x Power on/off LED on front panel
Mounting	Panel, Wall, Stand and Arm VESA 100mm x 100mm
Front Panel Color	Sliver (877U) & Gray (ABSA2037)
Dimensions (WxHxD) (mm)	470 x 383 x 72
Operation Temperature (°C)	0°C~50°C
Storage Temperature (°C)	-20°C ~60°C
N/G Weight	6.2Kg
IP Level	Front Frame IP64
Touch Screen	Resistive Type 5-Wire (Touch controller IC is on board)
Power Adapter	P/N: 63040-010096-010-RS 96W Power Adapter (Meet PSE) Input: 90VAC~264VAC, 50 / 60 Hz Output: 12VDC
Power Requirement	12VDC
Power Consumption	88W (Intel® T7500, 2GB memory, 80G HDD)

1

IEIMobile Solutions

2

Automation Panel Solutions

3

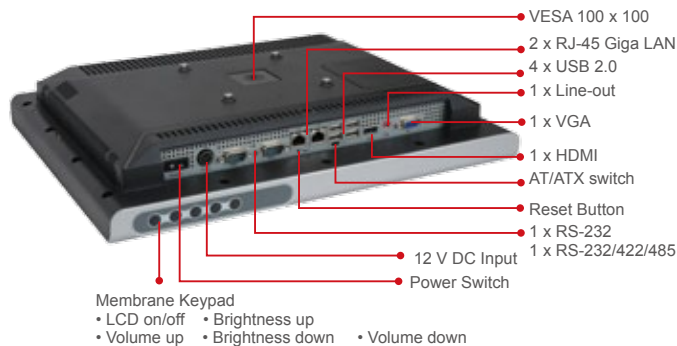
PACSmate Medical Solutions

4

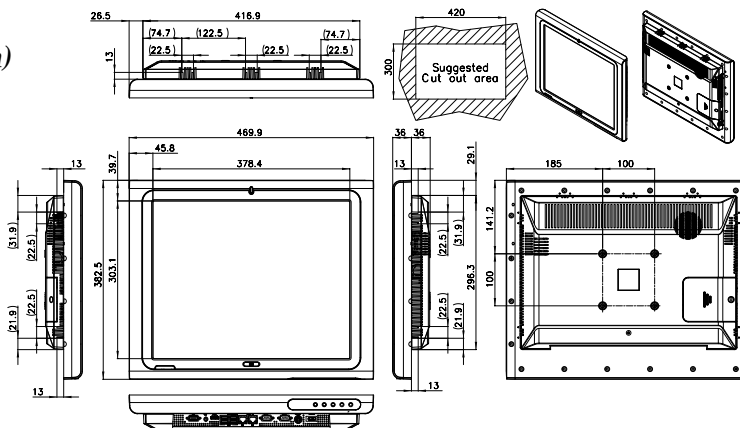
Optional Peripherals

Fully Integrated I/O

• AFL-19i-HM55



AFL-19i Dimensions (Unit: mm)



Ordering Information

Part Number	Description
AFL-19i-HM55-P45/R/1G-R20	19" 350cd/m ² SXGA LED backlighting panel PC with Intel® Celeron® P4500 1.86G CPU, 1GB DDR3 RAM, 802.11b/g/n wireless module, touch screen, R20
AFL-19i-HM55i3-35/R/2G-R20	19" 350cd/m ² SXGA LED backlighting panel PC with Intel® Core™ i3-350M 2.26G CPU, 2GB DDR3 RAM, 802.11b/g/n wireless module, touch screen, R20
AFL-19i-HM55i5-52/R/2G-R20	19" 350cd/m ² SXGA LED backlighting panel PC with Intel® Core™ i5-520M 2.4G CPU, 2GB DDR3 RAM, 802.11b/g/n wireless module, touch screen, R20
AFL-19i-HM55i7-62/R/2G-R20	19" 350cd/m ² SXGA LED backlighting panel PC with Intel® Core™ i7-620M 2.66G CPU, 2GB DDR3 RAM, 802.11b/g/n wireless module, touch screen, R20

Packing List

Item	Part Number	Q'ty	Specification
Screw Pack	44013-030041-RS	4	M3;5mm
Power Adpater	63040-010096-010-RS	1	90~264V AC; 12V DC; 96W (Meet PSE)
Power Cord	32000-000002-RS	1	1750mm; European Standard
Utility CD	7B000-000087-RS	1	
Touch Pen	43125-0002C0-00-RS	1	
One Key Recovery CD		1	

ISMM Supported Functions

	Voltage	Fan	Smart Fan	Temperature	WDT	Cash Drawer
AFL-19i-HM55	V	V	V	V	V	

Options

Model	AFL-19i-HM55
Panel Mounting Kit	AFLPK-19B
Wall Mounting Kit	AFLWK-19B
Arm	ARM-11-RS / ARM-31-RS
Stand	STAND-A19-RS / STAND-A21-R10 / STAND-210-R11
OS: Win XPE (1 GB CF card)	AFLSD-15-HM55-2G-XPE-R20(2GB SATA SSD)
OS: Win 7 Embedded	AFLSD-15-HM55-4G-WES7E-R20 (4GB SATA SSD)
Magnetic Stripe Reader	AFLP-19MSR-U
DC 12V Input UPS	AUPS-B10-R10 (VESA 100, DC 12V input, 12V output 100W UPS module with 3800mAh)
DC 9~36V Input UPS	AUPS-B20-R10 (VESA 100, DC 9~36V input, 12V output 100W UPS module with 3800mAh)
Bluetooth V2.0+EDR	AFL-BT-KIT01-R10

19" Wide 1440 x 900 AFOLUX Panel PC

AFL-W19A-N270

Intel® Atom™ N270 1.6GHz Processor

**Mirror Black
Glossy Finish**



Features

- 19" wide screen all-in-one system with resistive touch panel
- High quality wide screen panel featuring 16:10 aspect ratio, high contrast and fast response time
- Fanless system integrated with Intel® Atom™ N270 1.6G processor for ultra low voltage
- IEEE 802.11b/g/n Wi-Fi connection
- Built-in two speakers
- Built-in capitalize technology
- Ambient light sensor detects ambient light for automated screen adjustments
- VESA-mountable for flexibility in mounting and deployment
- iSM system utility included for system settings
- Support Windows® CE, Windows® XP Embedded (optional)
- IP 64 compliant front panel
- IEI One Key Recovery solution allows you to create rapid OS backup and recovery (suggest over 4GB storage capacity)



Specifications

Model	AFL-W19A-N270	
LCD Size	19"	
Max Resolution	1440 x 900	
Brightness (cd/m ²)	250	
Contrast Ratio	1000:1	
LCD Color	16.7M	
Pixel Pitch (mm)	0.2835 (H) x 0.2835 (V)	
Viewing Angle (H-V)	170° / 160°	
Backlight MTBF	30000 hrs (LED backlight)	
SBC Model	AFLMB2-945GSE-N270-R10	
CPU	Intel® Atom™ N270 1.6GHz CPU	
Chipset	Intel® 945GSE + ICH7M	
RAM	Supports one 400MHz or 533MHz DDR2 SO-DIMM (Max. 2GB)	
I/O Ports	1 x RS-232 COM Port 1 x RS-232/422/485 COM port 2 x RJ-45 for Giga LAN 4 x USB 2.0 1 x Power Switch	1 x Reset Button 1 x Audio Port 1 x VGA Port 1 x Power Jack
Storage	CF Type II	
Watchdog Timer	Software programmable supports 1~255 sec. system reset	
Audio	AMP 1.5W + 1.5W (internal speakers)	
Camera Module	300K pixel camera (with low light function) and digital microphone	
Wireless Connection	1 x Wireless LAN 802.11b/g/n module (internal PCIe Mini card interface) Telec certified	
Drive Bay	1 x 2.5" SATA HDD bay	
Construction Front Panel	ABS + PC Plastic front frame	
Membrane Keypad	LCD On/Off, Brightness Down/Up, Volume Down/Up, Lock, Ambient Light Sensor On/Off (7 keys)	
Ambient Light Sensor	Yes	
Infrared Remote Control	LCD On/Off, Brightness Up/Down, Volume Up/Down, System On/Off, Ambient Light Sensor On/Off	
Mounting	Panel, Wall, Stand and Arm VESA 100mm x 100mm	
Front Panel Color	Black C	
Dimensions (WxHxD) (mm)	475 x 259 x 65	
Operation Temperature (°C)	0°C ~40°C with HDD -10°C ~50°C with CF Card or SATA interface 2.5" SSD HDD	
Storage Temperature (°C)	-20°C ~60°C	
N/G Weight	5.8 Kg	
IP Level	IP 64 compliant front panel	
Safety & EMC	CE / FCC	
Touch Screen	5-wire resistive type (touch controller IC is on board)	
Power Adapter	P/N: 63000-FSP084DMBA1308-RS 84W Power Adapter Input: 90VAC~264VAC, 50/60Hz Output: 12VDC	
Power Requirement	12VDC	
Power Consumption	55W	



Membrane Keypad for System Function Control



Ambient Light Sensor



2mega pixel Camera (with Low Light Function) and Digital Microphone

Infrared Remote Control (For AFL-W19A Series Only)



1

IEIMobile Solutions

2

Automation Panel Solutions

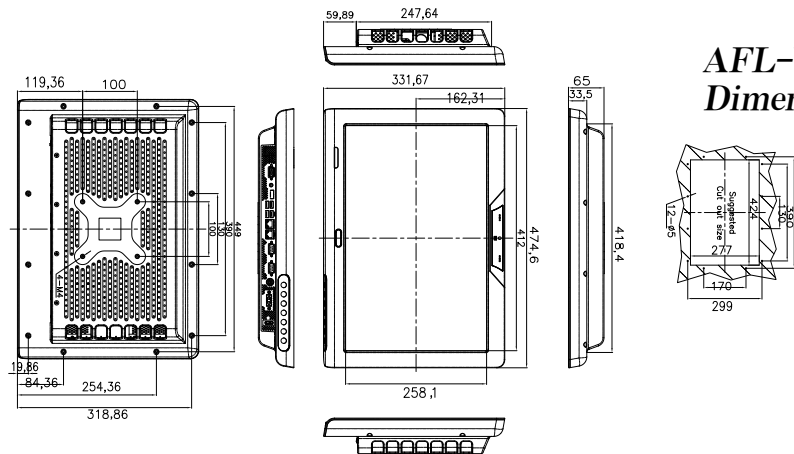
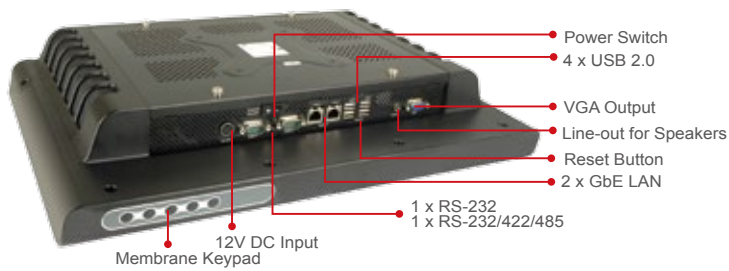
3

PACSmart Medical Solutions

4

Optional Peripherals

Fully Integrated I/O



Ordering Information

Part Number	Description
AFL-W19A-N270/R/1G-R30	19" 250cd/m ² 1440x900 LED backlighting panel PC with Intel® Atom™ N270 1.6GHz CPU, 1GB DDR2 RAM, 802.11b/g/n wireless module, touch screen, 2-megapixel camera, microphone, R30

Packing List

Item	Part Number	Q'ty	Specification
Screw Pack	44013-030041-RS	4	M3;5mm
Power Adpater	63000-FSP084DMBA1308-RS	1	90~264V AC; 12V DC; 84W
Power Cord	32000-000002-RS	1	1750mm; (EU or US, depending on the shipment country)
Utility CD	7B000-000087-RS	1	
Touch Pen	43125-0002C0-00-RS	1	
One Key Recovery CD		1	

ISMM Supported Functions

	Voltage	Fan	Smart Fan	Temperature	WDT	Cash Drawer
AFL-W19A- N270	V			V	V	

Options

Model	AFL-W19A-N270
Panel Mounting Kit	AFLPK-W19B
Wall Mounting Kit	AFLWK-19B
Arm	ARM-11-RS / ARM-31-RS
Stand	STAND-A19-RS / STAND-A21-R10 / STAND-210-R11
OS: Win CE 6.0 (128 MB CF card)	AFLCF-15-N270-CE060-R30
OS: Win XPE (1 GB CF card)	AFLCF-15-N270-XPE-R30
OS: Win 7 Embedded (4GB CF card)	AFLCF-15-N270-WES7E-R30
DC 12V Input UPS	AUPS-B10-R10 (VESA 100, DC 12V input, 12V output 100W UPS module with 3800mAH)
DC 9~36V Input UPS	AUPS-B20-R10 (VESA 100, DC 9~36V input, 12V output 100W UPS module with 3800mAH)
Bluetooth V2.0+EDR	AFL-BT-KIT04-R10

Note: Win CE application without digital microphone function

1

IEI Mobile Solutions

2

Automation Panel Solutions

3

PACsmate Medical Solutions

4

Optional Peripherals

IS-400 Pro

4-bay Industrial NAS/NVR

■ Designed for a wide range of temperatures and environments

Built with high-quality aluminum materials for maximum heat dissipation, the IS-400 Pro has been designed to operate perfectly in non-office environments. Withstanding temperatures between -20°C and 50°C (-4°F to 120°F)* it is the ideal choice for networked storage across a wide range of platforms such as factories & industrial settings, transportation and other environments that are exposed to the elements.

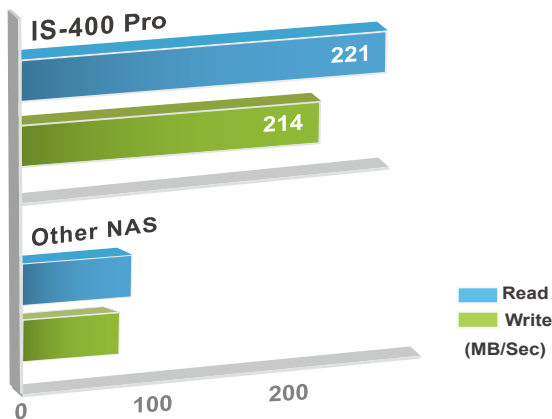
* Industrial-grade SSDs are required to ensure listed operational temperature ranges.
Please note: Industrial SSDs are required to meet this condition, please refer to the compatibility list: <http://www.qnap.com/compatibility>

■ Rock-solid & fanless design

Engineered to perfection with a rugged steel body and no moving parts, the fanless IS-400 Pro is designed to withstand dust, rust, vibration and impact for reliable and energy-saving operations within even the most extreme environments. Compliant with the military-grade MIL-STD-810G-514.6E-1 simulation test for anti-vibration, the all-metal construction of the IS-400 Pro can withstand a minimum 100KG (220lbs) impact while still providing continuous operation.

■ Up to 221 MB/sec reading, 214MB/sec Writing

The IS-400 Pro delivers ultra-high performance achieving speeds of up to 221MB/s read and up to 214MB/s write*. It is powered by an energy efficient Intel® 1.1 GHz dual core processor and 4GB DDR3 RAM, and features 2 Gigabit LAN ports to maximize system bandwidth.

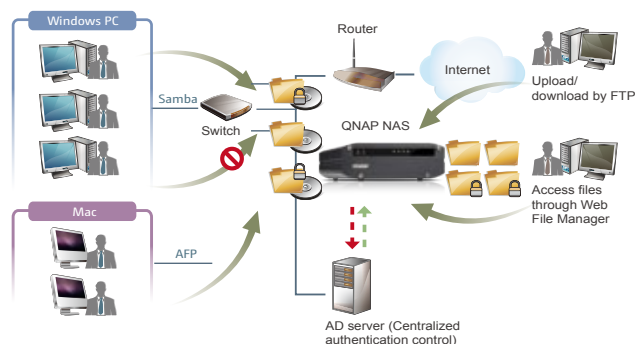


* Tested in QNAP lab. Figures could vary by environments.
Testing Environment:
Client PC configurations: Intel® Core™ i7-2600 CPU, 16GB DDR3 RAM, Windows® 7 professional 64-bit, Dual-port Intel X520-SR2 10GbE Server Adapter, IOMeter sequential read and write.
NAS configurations:
Intel® 510 SSDs, Intel® X-520-DA2 + 802.3ad trunking mode, RAID 5.



■ Cross-platform file sharing, centralized data storage

The IS-400 Pro supports SMB/CIFS, NFS, and AFP protocols for file sharing across Windows, Mac and Linux/UNIX networks. Data, logs and ISO image of CDs and DVDs can be centrally stored in the NAS and protected by an integrated antivirus solution. The Windows AD and LDAP services enable system administrators to configure user permissions by using existing Windows® AD servers, LDAP servers or NAS build-in LDAP services.



■ Well-rounded backup solutions to secure data

QNAP Netbak Replicator supports real-time and scheduled data backup on Windows including Outlook email archiving. Apple Time Machine is also supported to provide Mac OS X users with an effortless solution to back up data to the IS-400 Pro. A wide range of third-party backup software such as Acronis True Image and Symantec Backup Exec are also supported. The IS-400 Pro offers various data recovery options. RTRR (Real-Time Remote Replication) supports real time or scheduled data backup to remote Turbo NAS or FTP servers and synchronizes files to remote folders from local folders with better backup efficiency and reduced backup time. The IS-400 Pro also supports rsync protocol to back up data to remote servers on a scheduled basis. Data can also be backed up to and restored from a range of cloud storage services, including Amazon® S3, Elephant Drive®, Dropbox® and Google® Drive.



1

IEIMobile Solutions

2

Automation Panel Solutions

3

PACSmate Medical Solutions

4

Optional Peripherals

■ Data security

In an open network environment, business data may be exposed in a potential hack. The IS-400 Pro provides numerous security options, such as encrypted access, IP blocking, and other protective features. IT administrators can also control the access rights of each user to different folders, preventing unauthorized access to important files. The IS-400 Pro is validated with military-grade FIPS 140-2 AES 256-bit encryption, preventing unauthorized users to access data even if the hard drives or entire system were stolen.



■ Comprehensive surveillance solution providing 24/7 security

The IS-400 Pro's Surveillance Station Pro offers a professional surveillance solution with the user-friendly NVR (network video recorder) management interface, a wide range of over 1,200 compatible IP camera models, and expandable IP camera channel licenses. It supports real-time monitoring, video and audio recording and playback with a wide range of customizable settings. You can also install the VMobile app on your iOS® or Android™ devices to manage the monitoring of cameras anytime, anywhere, for total surveillance of your monitored environment.



■ IP surveillance storage for AXIS Camera Companion, Mobotix and other VMS

The IS-400 Pro provides a reliable storage solution for video management software (VMS) recordings from different network camera vendors. The IS-400 Pro is an ideal storage solution providing high compatibility with AXIS Camera Companion, the video management software (VMS) for Axis network cameras, to offer a reliable and powerful network surveillance system. The IS-400 Pro works well with AXIS Camera Companion to support one-click folder creation and network camera recording. AXIS cameras can easily stream video recordings to the IS-400 Pro for instant playback and archiving for business environments such as retail stores, hotels, and small offices.



■ Reliable iSCSI target for surveillance video storage

The most frequently encountered challenge in deploying IP surveillance is how to set up or expand the storage capacity. The IS-400 Pro supports reliable and high performance iSCSI target. Windows or Linux based VMS server can easily connect to the IS-400 Pro through iSCSI to expand the storage capacity. It is an ideal solution for IP surveillance recording and archiving.



■ HIPAA compliant storage solution

While medical data (e.g ePHI) constantly increases, IT administrators are required to develop a strategy of strong storage platforms within their medical organizations. The IS-400 Pro meets the electronic requirements of HIPAA for storing PHI data by providing a base to protect the confidentiality and security of individually identifiable health information.



■ Private cloud storage

The IS-400 Pro offers businesses a total solution for creating private cloud storage. The exclusive myQNAPcloud allows you to establish VPN connections for secure data transfer over the Internet or remote access via 3G/4G router. The Qfile mobile app enables remote access to the files on the IS-400 Pro anytime, anywhere, while the Qmanager mobile app allows for easy remote management & monitoring of your IS-400 Pro.



1

IEI Mobile Solutions

2

Automation Panel Solutions

3

PACsmate Medical Solutions

4

Optional Peripherals

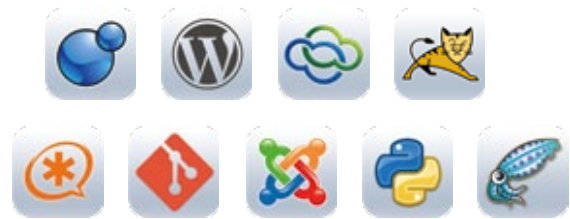
■ Dropbox-style file synchronization across computers and mobile devices

With Qsync, your IS-400 Pro is turned into a safe data center for file synchronization. Any file uploaded to the IS-400 Pro will be made available for all linked devices, such as computers, laptops and mobile devices. Qsync is especially useful for frequent travelers in managing files and ensuring that different devices have the most up-to-date files. Qsync provides multiple ways of file synchronization and group file sharing, greatly enhancing the flexibility of team projects and collaboration.



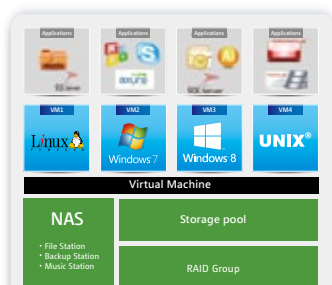
■ Install-on-demand apps to extend NAS functionality

The IS-400 Pro has a built-in App Center that provides various install-on-demand apps developed by QNAP and third-party developers, including tools for backup/sync, business, content management, communications, download, entertainment, and much more. It is also a centralized location for managing & updating installed apps. In addition, QNAP's development platform embraces the open-source spirit to enable developers to create their own apps, adding potentially limitless opportunities for the IS-400 Pro.



■ Run your existing Windows® applications at ease

With the QNAP Virtualization Station, you can create a virtual machine to run Windows, Linux, or UNIX operating system on the Turbo NAS. There is no longer a need to purchase a standalone computer or server just to run a print server, enterprise management system, or mail server. The Virtualization Station helps quickly integrate existing IT infrastructure in the Turbo NAS without additional hardware cost. You can run the Virtualization Station in the browser after you log into the QTS with extreme flexibility and convenience or access the Windows® VM using any client devices that are supported by the Remote Desktop Protocol (RDP). Virtual machines of various formats can be easily imported to and exported from the Virtualization Station with simple steps. Virtualization Station provides snapshot feature to record the virtual machine system status at a point of time. At the event of virtual machine failure, users can quickly roll it back to the snapshot time to ensure continual system operation.



Hardware Specification

CPU	Onboard dual-core Intel® Celeron™ 1.1 GHz processor
RAM	4GB DDR3 RAM (2 x DDR3 1333MHz SO-DIMM socket)
System Disk	512MB DOM for OS
Hard Disk Drive	4 x 2.5" SATA SSDs (recommended) or HDDs*
Hard Disk Tray	4 x Hot-swappable trays
LAN Port	2 x Gigabit RJ-45 Ethernet ports
LED Indicators	Status, LAN, HDD 1 - 4
USB	2 x USB 3.0 ports (rear) 2 x USB 2.0 ports (rear) Supports USB devices including printers, drives, and UPS
HDMI	1 (reserved)
Buttons	Power, Reset
Alarm Buzzer	System warning
Secure Design	Kensington security slot for theft prevention
Chassis	Fanless design with aluminum and steel body
Form Factor	Desktop (Wall-mount and din-rail mount support with optional accessories)
Dimensions	59 (H) x 180 (W) x 247 (D) mm 2.32 (H) x 7.09 (W) x 9.72 (D) inch
Weight	Net weight: 1.11 kg (2.45 lbs)
Power	HDD sleep mode: 13.54W
Consumption	In Operation: 19.77W Power-off (in WOL mode): 1.6W (with 4 x 180 GB SSD installed; Intel® SSDSC2CT180A4 SSD)
Operating Temperature	-40°C ~ 50°C (Please note: Industrial SSDs are required to meet this condition. Please refer to the compatibility list: http://www.qnap.com/compatibility)
Humidity	5~95% RH non-condensing, wet bulb: 27°C
Power	Power 1: 4-pin terminal block, 9-36V DC Power 2: DC power jack, external power adaptor, 12V, 120W Input: 100-240V

* The system is shipped without disk drives. For a list of compatible SSDs and HDDs, please visit <http://www.qnap.com/compatibility>

1

IEIMobile Solutions

2

Automation Panel Solutions

3

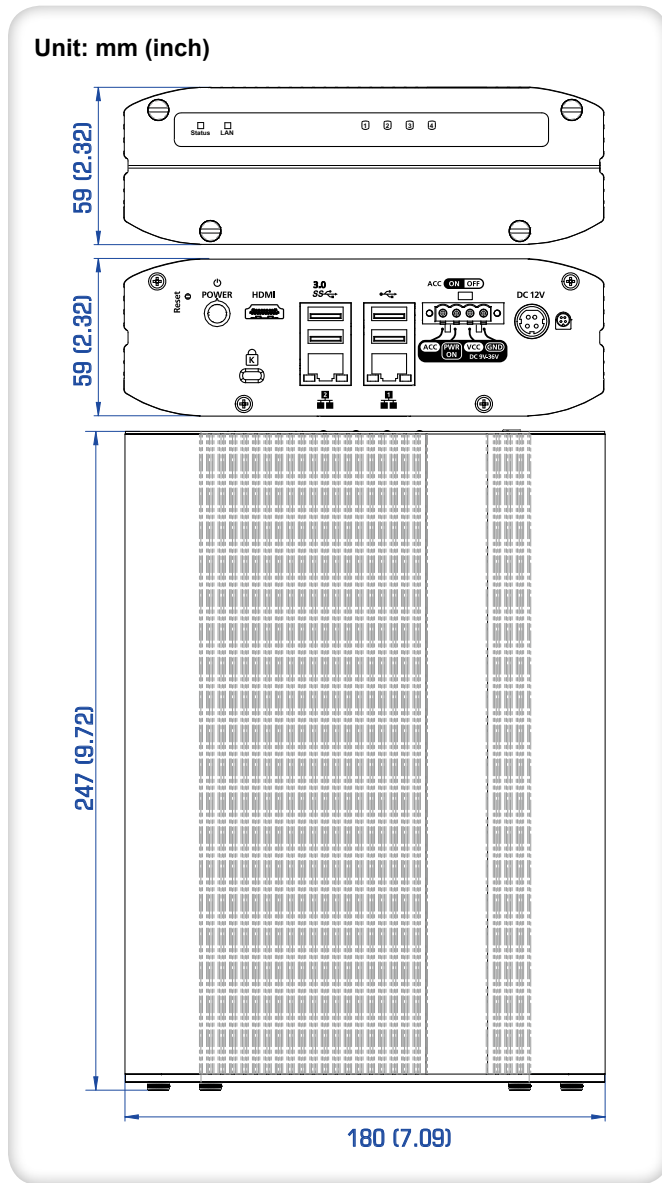
PACSmate Medical Solutions

4

Optional Peripherals

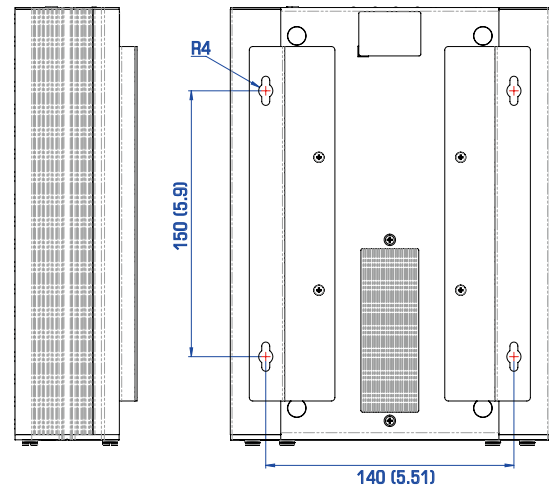
Product Information

Dimension Drawing

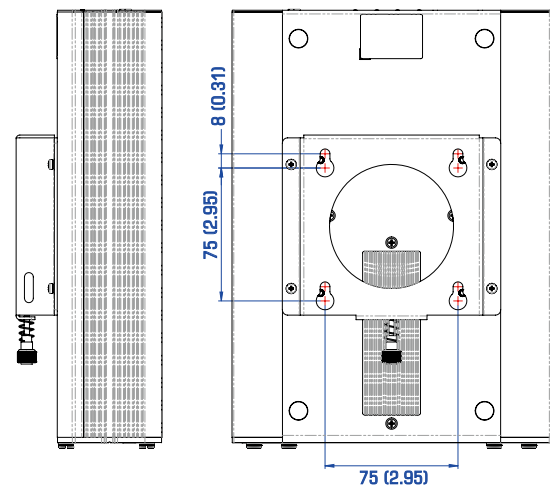


Optional Accessories

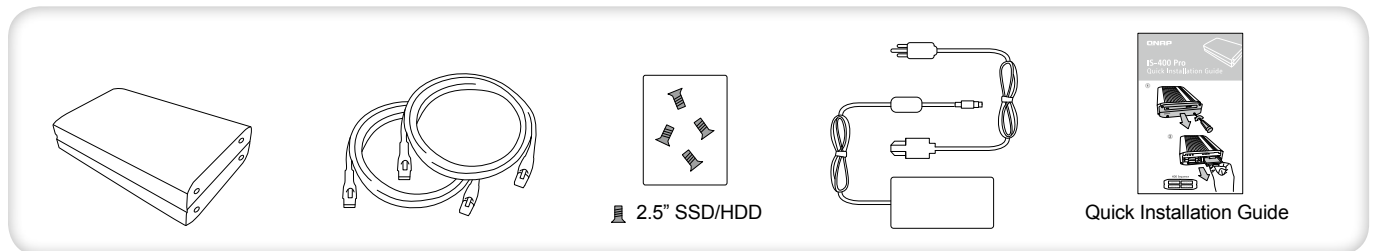
Wall mounting kit



Din-rail mounting kit



Package Contents



Certificates and Standards

CE CLASS A, FCC CLASS A, BSMI, VCCI, MIL-STD-810G-514.6C-1, MIL-STD-810G METHOD 516.6 Procedure I

1
IEI Mobile Solutions

2
Automation Panel Solutions

3
PACsmate Medical Solutions

4
Optional Peripherals