



2020 | PERFORMANCE PARTS QUICK REFERENCE GUIDE

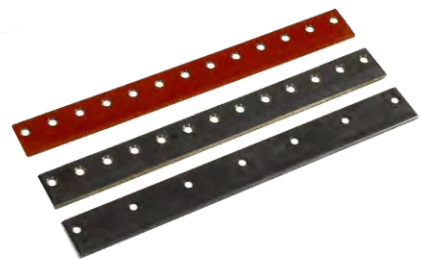


FOLLOWS!
facebook.com/toro
twitter.com/TheToroCompany
twitter.com/ToroGolf
youtube.com/toro
linkedin.com/company/the-toro-company

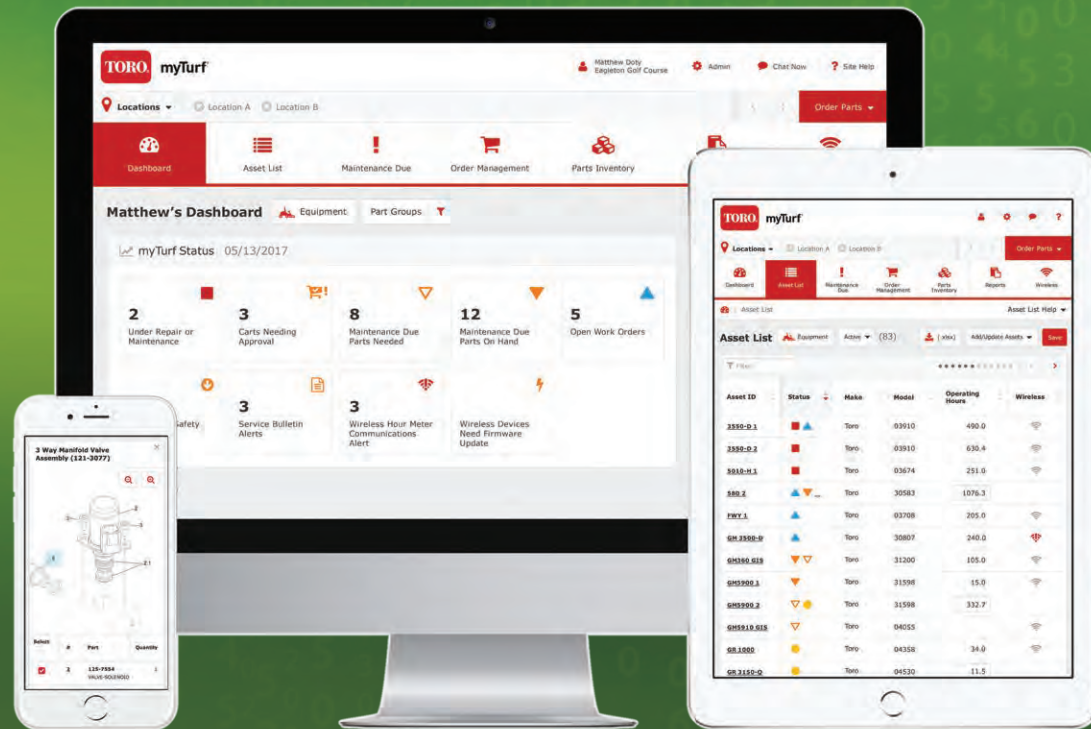
toro.com 800-803-8676

©2020 The Toro Company. Bloomington, MN 55420
All rights reserved. Printed in the USA.
Part Number 20-113-T

Products depicted in this literature are for demonstration purposes only. Actual products offered for sale may vary in use, design, required attachments and safety features. We reserve the right to improve our products and make changes in specifications, design and standard equipment without notice and without incurring obligation. See your dealer for details on all our warranties.



myTurf® Pro



Order Parts Online, 24/7

- Order Toro equipment & Irrigation parts online, 24/7
- Schedule maintenance and manage repairs
- Access up-to-date reference materials



toro.com/myTurfPro

WHAT'S NEW?

Within this catalog, you'll find the Genuine Toro® Parts and accessories you'll need to keep your Toro equipment operating at its full potential. Our expanded parts inventory offers:

- Competitive market pricing
- Quality & Reliability – meets the highest standards
- Expanded – Quick Reference Guide

NEW FOR 2020








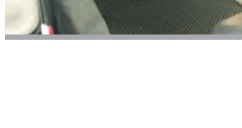

- Now under 150 pages!
- Updated Featured Items
- New MVP 1,000 Hour Filter Kits
- New Blad Pack - Grounsmaster® 1200




FEATURED ITEMS






Turf Accessories

Equipment	Description	Part No.	Sale Price
 REELMASTER® GREENSMASER®	BRUSH AND HANDLE ASM	29-9100	\$38.03
 REELMASTER® GREENSMASER®	GAUGE BAR ASM	108-6715	\$96.88
 REELMASTER® GREENSMASER®	PAPER – TORO REEL	125-5610	\$3.47
 REELMASTER® GREENSMASER®	PAPER - TORO REEL BOOKLET	125-5623	\$0.39
 VARIOUS	SERVICE AND PARTS MANUAL (USB DRIVE)	137-5215	\$53.04
 BEDKNIFE AND REEL	GRIND ANGLE INDICATOR	131-6828	\$45.20
 BEDKNIFE AND REEL	GRIND ANGLE INDICATOR MOUNT	131-6829	\$24.31
 REELMASTER® GREENSMASER® GROUNDMASTER® MULTI PRO (2005 & EARLIER)	MESH SEAT COVER – LARGE	137-1312	\$48.54
 WORKMAN® MULTI PRO® (2006 & UP)	MESH SEAT COVER – SMALL	137-1311	\$46.34

Rollers

Equipment	Description	Part No.	Sale Price
 GM 3500/4300/4500/4700	ROLLER ASM - UHMW	131-7800	\$78.72
	BALLAST KIT – UHMW ROLLER, 27" CU	136-2881	\$55.16
	BALLAST KIT – UHMW ROLLER, 22" CU	136-2915	\$67.53

Deck Replacement

Equipment	Description	Part No.	Sale Price
 Groundsmaster 3500 (2013 & Up)	DECK CHAMBER SERVICE ASM	127-6389	\$858.96
 Groundsmaster 4500 (2013 & Up)	DECK CHAMBER SERVICE ASM	127-6389	\$858.96
 Groundsmaster 4700 (2013 & Up)	DECK CHAMBER SERVICE ASM	127-6389	\$858.96

Lubricants

NEW! Toro PX Extended Life Hydraulic Fluid. See page 10.



Batteries

Equipment	Description	Part No.	Sale Price
Greensmaster 3250D/TriFlex 3400 Reelmaster 5200D/5400D/5500D Groundsmaster 225/228/3320/3280D/7200/ 7210/360 Workman MDX-D/3100/HD/HDX/HDX-D/HDX-Auto Multi-Pro 1250/1200 ProForce Debris Blower	DRY BATTERY	106-5187	\$125.61
Reelmaster 6500D/6700D/7000D Groundsmaster 328D/3000D/5900/5910/4500D/4700D Workman 3100/3200/3300D/4300D/ Multi-Pro 5600D/5700D/5800D/5800G 66" Rake-O-Vac	DRY BATTERY	106-5190	\$129.83
ProCore Processor HydroJect 3010 Pro Force Debris Blower	DRY BATTERY	108-1260	\$110.83
Greensmaster TriFlex 3400/3420 Groundsmaster 3500D/3505D/4300D Reelmaster 2000D/3100D/3550/5010-H/5210/5410 (G/D)/5510 (G/D)/5610D	WET BATTERY	104-9979 (Order 132-8621)	\$198.98

QUICK REFERENCE GUIDE

8	Lubricants	42	Bedknife Reference Chart	71	Belts
10	MVP Kits	44	Service Reel Reference Chart	76	Rollers
26	Filters	46	Tines	80	Nozzle Application Guide
38	Blade Reference Chart	58	Tires	84	Parts List
40	Blades	62	Bearings		

REELS+™ EDGESERIES REELS+™

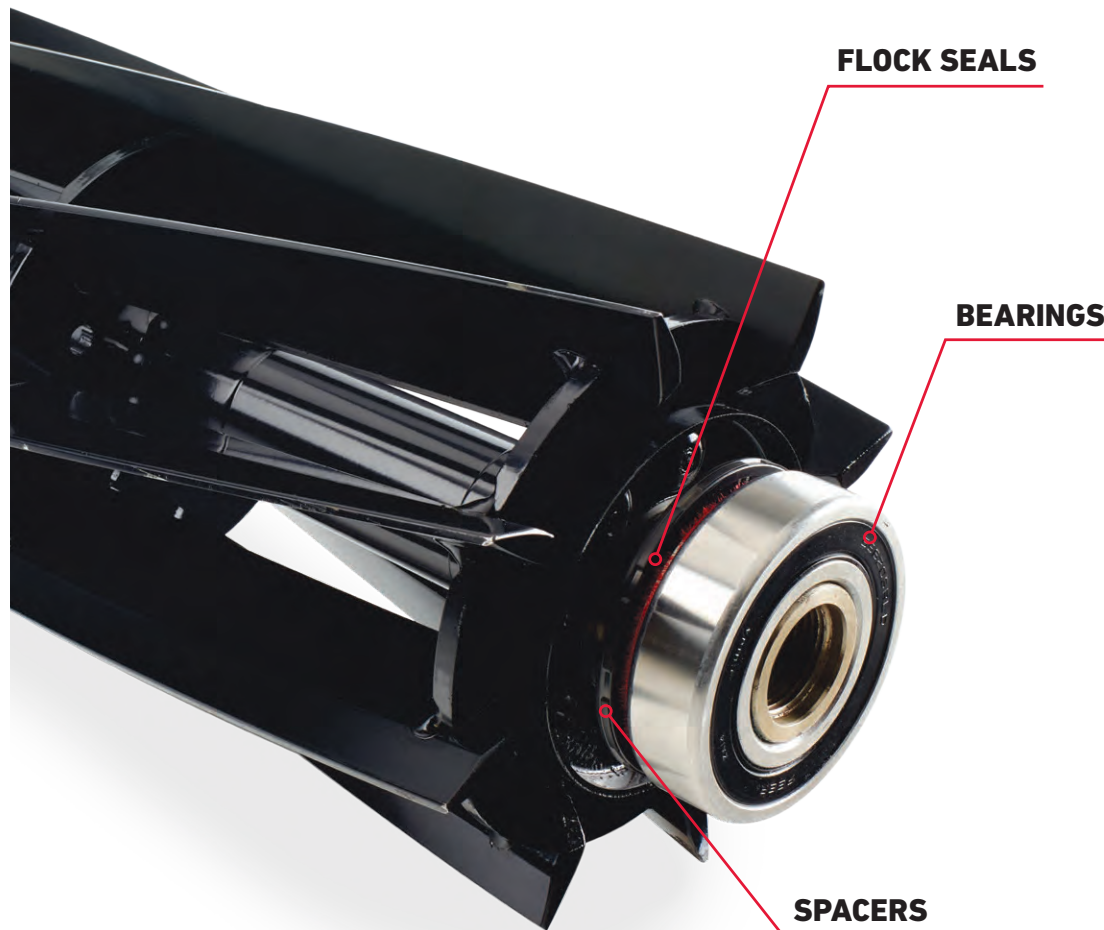
Save Time, Save Money

PLUS Everything you need for replacing your reels is included and pre-assembled

PLUS Parts professionally assembled at the factory

PLUS Uses all genuine Toro parts

PLUS Less time and labor for you, saving you money and resources



CONTACT YOUR TORO DISTRIBUTOR FOR DETAILS.

Toro PX Hydraulic Fluid

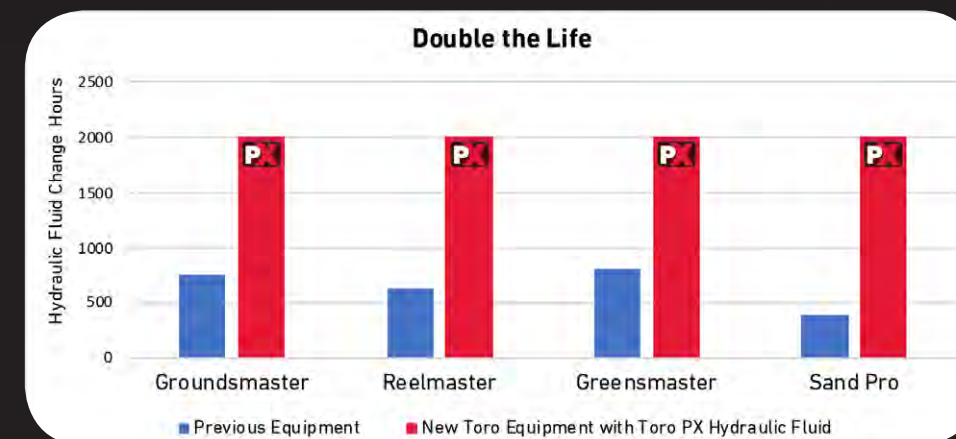
PREMIUM EXTENDED LIFE HYDRAULIC FLUID

Premium Extended Life Performance, Double the Life.

New extended life PX Hydraulic Fluid is another great innovation from Toro. This new premium hydraulic fluid performs better and lasts longer than conventional fluids. This means your equipment will run more smoothly and require fewer hydraulic fluid changes saving you time and money – up to 71%. Most 2019 and newer Toro commercial equipment come factory filled with Toro PX Hydraulic Fluid and have change intervals twice as long as previously...up to 2000 hours!

Features

- Exceptional Hydraulic Efficiency – extended life vs. standard fluids
- High Viscosity Index – maintains viscosity over wide temperature ranges
- Resistant to Oxidization – Anti-oxidants prevent sludge, varnish and thickening.



See the Toro equipment operator's guide for your equipment's specific maintenance interval. Not Compatible with hydraulic systems using tractor fluid.

Order Part Numbers: 133-8086 (5 gal. pail), 133-8087 (55 gal. drum)
(Drums available - continental U.S. only)

Call your Toro distributor at 800-803-8676

QUICK REFERENCE GUIDE
LUBRICANTS



Toro PX Extended Life Hydraulic Fluid

133-8086 (5 Gal. Pail)
133-8087 (55 Gal. Drum)

- EXTENDED LIFE HYDRAULIC FLUID FOR SOME 2019 AND NEWER TORO COMMERCIAL EQUIPMENT
- SEE YOUR EQUIPMENT OPERATORS GUIDE FOR INDIVIDUAL MACHINE MAINTENANCE INTERVALS

Sale Price
\$109.98
\$1,100.00



Toro Premium All-Season Hydraulic Fluid

108-1178 (5 Gal. Pail)
108-1177 (55 Gal. Drum)

- DESIGNED TO MEET THE NEEDS OF TORO HYDRAULIC SYSTEMS
- SUSTAINED COMPONENT PROTECTION OVER WIDE TEMPERATURES AND ADDITIONAL ANTIWEAR PROTECTION
- EXTENDS FLUID LIFE UNDER HARSH OPERATING CONDITIONS

\$72.98
\$669.98



Toro Premium Synthetic Biodegradable Hydraulic Fluid

119-2157 (5 Gal. Pail)

- PROVIDES LONGER EQUIPMENT LIFE; WILL NOT REACT WITH STEEL OR COPPER ALLOYS
- WORKS WELL WITH SAME ELASTOMERS USED WITH CONVENTIONAL MINERAL OILS
- REDUCED DEPOSIT AND SLUDGE FORMATION

\$478.98



Toro Premium Transmission / Hydraulic Fluid

108-1184 (5 Gal. Pail)
108-1183 (55 Gal. Drum)

- STRONG ANTIWEAR AND EXTREME PRESSURE PROPERTIES
- MULTIPURPOSE CAPABILITY FOR HYDRAULICS, GEARS & CLUTCHES
- PROTECTS EQUIPMENT IN WET OR HUMID ENVIRONMENTS AND PREVENTS PREMATURE WEAR

\$84.98
\$719.98



Toro Premium ATF Automatic Transmission Fluid

108-1185 (55 Gal. Drum)

- PROVIDES EXCELLENT OXIDATION AND FRICTION STABILITY
- CONTAINS ANTIWEAR PROPERTIES AND LOW TEMPERATURE FLUIDITY
- SUPPORTS SMOOTH AND EFFICIENT TRANSMISSION

\$468.98



Toro All-Purpose Grease

108-1190 (14 oz.)

- REDUCES POTENTIAL FOR ENVIRONMENTAL DAMAGE
- EXCELLENT ANTIWEAR/EP PROPERTIES
- HIGH VISCOSITY INDEX AND LOW POUR POINT

\$5.89



Toro Synthetic Grease ISO 220

125-3511 (3 oz.)

- OUTSTANDING HIGH TEMPERATURE AND LOW TEMPERATURE PERFORMANCE
- EXCELLENT PROTECTION AGAINST WEAR, RUST AND CORROSION
- EXTENDED SERVICE LIFE WITH LONGER INTERVALS BETWEEN RELUBRICATION

\$4.49



Toro Fuel Treatment

131-6572 (12 oz.)

- KEEPS FUEL FRESH FOR UP TO 12+ MONTHS, PERFECT FOR SEASONAL EQUIPMENT
- KEEPS FUEL SYSTEMS CLEAN; CLEANS ENGINES FROM THE INSIDE
- PREVENTS CORROSION; COMPATIBLE WITH E10 FUEL

\$7.99

QUICK REFERENCE GUIDE
LUBRICANTS



Toro Premium Engine Oil SAE 30

108-1197 (5 Gal. Pail)
108-1196 (55 Gal. Drum)

- APPROVED BY TORO ENGINEERING FOR USE IN TORO EQUIPMENT
- MONOGRADE FLUID DESIGNED TO ENDURE HIGH TEMPERATURES IN AIR COOLED ENGINES
- FORMULATED WITH UNIQUE ADDITIVES DESIGNED TO KEEP ENGINES CLEAN

Sale Price
\$61.98
\$419.98



Toro Premium Engine Oil 10W-30

121-6393 (5 Gal. Pail)
121-6392 (55 Gal. Drum)

- FORMULATED FOR GASOLINE AND DIESEL ENGINES
- MEETS OEM ENGINE MANUFACTURERS REQUIREMENTS FOR MODERATE CLIMATES
- BUILT-IN CORROSION PROTECTION

\$64.98
\$634.98



Toro Premium Engine Oil 15W-40

121-6395 (5 Gal. Pail)
121-6394 (55 Gal. Drum)

- FORMULATED FOR GASOLINE AND DIESEL ENGINES
- GREATER ENGINE EFFICIENCY, LONG ENGINE LIFE AND LONG OIL LIFE
- MAINTAINS VISCOSITY IN SEVERE, HIGH TEMPERATURE SERVICE FOR GREATER WEAR PROTECTION

\$64.98
\$641.98



Toro Premium All-Season Gear Lube 80W-90

108-1590 (Quart)
108-1187 (5 Gal. Pail)

- WIDE MULTIPURPOSE CAPABILITY
- REDUCED WEAR AND EASE OF START-UP AND COMPONENT LIFE
- EXCELLENT THERMAL STABILITY AND RESISTANCE TO HIGH TEMPERATURE OXIDATION

\$3.89
\$89.98



Toro Premium All-Season Gear Lube 85W-140

108-1591 (Quart)

- PROTECTION AGAINST LOW SPEED/HIGH TORQUE WEAR
- EFFECTIVE LOW TEMPERATURE LUBRICATION
- EXTENDED GEAR AND BEARING LIFE DUE TO MINIMAL DEPOSIT

\$9.98



Toro Premium Full Synthetic Gear & Bearing Oil

104-8772 (Quart)

- EXTENDS EQUIPMENT HIGH TEMPERATURE OPERATING CAPABILITY TO REDUCE MAINTENANCE COSTS
- REDUCES FRICTION AND INCREASES WEAR EFFICIENCY
- APPROVED BY TORO ENGINEERING FOR TORO EQUIPMENT

\$22.98

Toro Hydraulic Oil Dye

44-2500 (20 ml)

\$14.99

Toro Aerosol Terminal Protection

107-0392

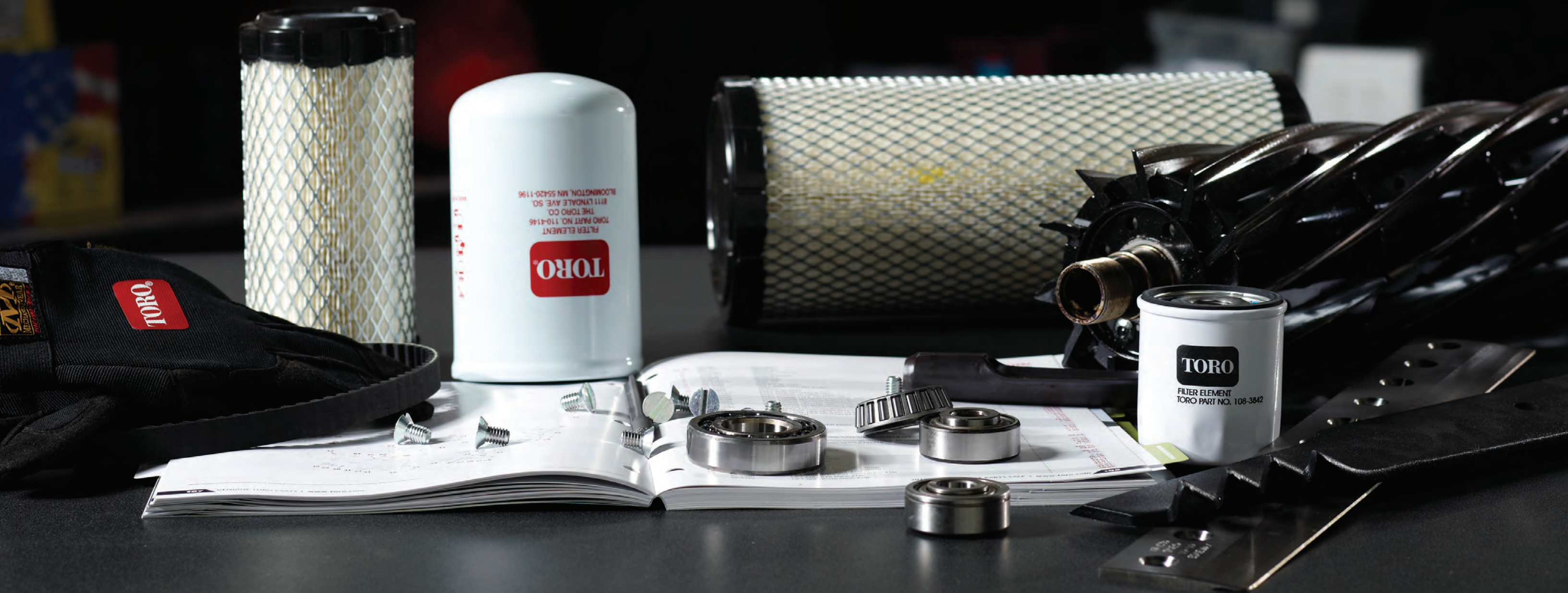
\$22.59

Toro Dry Lube Graphite

120-4817

\$22.98

MVP KITS



QUICK REFERENCE GUIDE

MVP KITS

Cutting Unit Overhaul Kits

Part No.	Description	Qty.	Sale Price
130-0105	GR Flex 18/21 (2004-2011) Reel Overhaul Kit		\$101.70
20-9500	WASHER	1	
107-3233	SEAL - OIL	4	
108-3162	SPACER	1	
107-3238	V-RING	2	
13-3659	GR 300/3000 Style (1985-01) Cutting Unit Overhaul Kit		\$48.42
237-77	O-RING	2	
253-61	SEAL-OIL	1	
253-96	SEAL-OIL	2	
254-72	BEARING-CUP	2	
254-94	BEARING-CONE	2	
52-2890	BUSHING-NYLON	4	
52-2900	WASHER-PLASTIC	2	
119-4151	SCREW-SPECIAL	13	
57-5280	BEARING - CUP & CONE	2	
62-5510	BUSHING-RUBBER	2	
63-9510	BUSHING	2	
107-1590	GR 300/3000 Style (1985-01) Reel Overhaul Kit		\$31.55
253-61	SEAL-OIL	1	
253-96	SEAL-OIL	2	
254-72	BEARING-CUP	2	
254-94	BEARING-CONE	2	
3296-60	NUT-LOCK	1	
107-1598	GR 300/3000 Style (2002 & Up) Reel Overhaul Kit		\$28.57
104-3388	SEAL-GREASE	2	
253-61	SEAL-OIL	1	
254-72	BEARING-CUP	2	
254-94	BEARING-CONE	2	
3296-60	NUT-LOCK	1	
121-2637	DPA Adjusters MVP Kit GR Flex/eFlex 1800 & 2100/3000/3300/3400		\$55.52
106-5363	SHAFT-ADJUSTER	2	
106-5344	BUSHING-FLANGED, KEYED	4	
119-4164	WASHER-WAVE	2	
32120-93	RING-RETAINING	2	
115-7039	SCREW-ADJUSTER, BEDBAR	2	
119-4155	WASHER-HARDENED	2	
119-4156	SPRING-COMPRESSION	2	
119-4039	NUT-HEX, NI	2	
99-2097	DETENT	2	
119-4067	SCREW-HH	2	
106-6392	Greensmaster Dethatching Reel Blade Pack		\$1,191.19
106-6355	BLADE-11 TOOTH (CARBIDE)	108	
13-3649	RM 216 & Grounds Pro 2000 Cutting Unit Overhaul Kit		\$60.38
253-84	SEAL-OIL	1	
257-6	BEARING-THRUST	2	
52-2890	BUSHING-NYLON	2	
56-9510	BUSHING ASM	2	
56-9520	BUSHING-FLANGED	2	
119-4151	SCREW-SPECIAL	10	
62-5510	BUSHING-RUBBER	2	
94-3405	BEARING-BALL	2	

Cutting Unit Overhaul Kits - continued

Part No.	Description	Qty.	Sale Price
107-1590	RM 5100D/5200D/5300D/5400D (1990-01) Reel Overhaul Kit		\$31.55
253-61	SEAL-OIL	1	
253-96	SEAL-OIL	2	
254-72	BEARING-CUP	2	
254-94	BEARING-CONE	2	
3296-60	NUT-LOCK	1	
106-9605	RM 5500D/6500D/6700D SPA Bedbar Overhaul Kit		\$66.66
106-7536	BEDBAR ADJUSTER ASSEMBLY	1	
107-7409	PIN-PIVOT, BEDBAR	1	
29-8910	WASHER	2	
302-18	FITTING-GREASE	1	
3230-2	BOLT-CARRIAGE	4	
3256-74	WASHER-FLAT	4	
3296-29	NUT-LOCK	4	
3296-62	NUT-LOCK	1	
52-2890	BUSHING-NYLINER	2	
62-5510	BUSHING-RUBBER	2	
93-2959	SPACER-ADJUSTER	1	
93-7501	BUSHING ASSEMBLY	2	
93-7502	BUSHING-FLANGED	2	
95-0772	SPRING-COMPRESSION	1	
95-8752	ARM-SPRING	1	
13-3679	RM 335D/450D Cutting Unit Overhaul Kit		\$132.52
256-113	BUSHING-FLANGE	2	
256-252	BEARING-FLANGE	2	
256-292	BUSHING-NYLINER	4	
32151-71	RING-RETAINING	1	
3257-3	KEY-WOODRUFF	1	
48-8880	PIN-DOWEL	2	
119-4151	SCREW-SPECIAL	10	
59-6140	BEARING	2	
62-6110	BUSHING ASM	4	
76-3580	SPACER-BEDBAR	2	
93-1414	SEAL-GREASE	3	
95-4389	RM 4000-D Cutting Unit Overhaul Kit		\$150.71
256-252	BEARING-FLANGE	2	
256-292	BUSHING-NYLINER	4	
32151-71	RING-RETAINING	1	
48-8880	PIN-DOWEL	2	
119-4151	SCREW-SPECIAL	10	
59-6140	BEARING	2	
62-6110	BUSHING ASM	4	
75-7570	KEY	1	
76-3580	SPACER-BEDBAR	2	
92-9250	SEAL-GREASE	1	
92-9251	SLEEVE-WEAR	1	
92-9252	BUSHING-FLANGE	2	
93-1414	SEAL-GREASE	2	

Cutting Unit Overhaul Kits - continued

Part No.	Description	Qty.	Sale Price
13-3629	RM Gangmower Cutting Unit Overhaul Kit		\$129.44
105-0150	SEAL-GREASE	2	
106-5408	GASKET-COVER	2	
106-5409	GASKET-GEAR CASE	2	
237-21	O-RING	2	
237-38	O-RING	2	
253-117	SEAL-OIL	2	
253-122	SEAL-OIL	2	
253-84	SEAL-OIL	2	
254-72	BEARING-CUP	2	
254-78	BEARING-CONE	4	
254-79	BEARING-CUP	4	
254-94	BEARING-CONE	2	
257-5	WASHER-THRUST	4	
257-6	BEARING-THRUST	2	
47-5640	SPACER-RUBBER	2	
119-4151	SCREW-SPECIAL	11	
68-7530	BUSHING	2	
68-9970	GUARD-SEAL	2	
84-8200	SEAL-OIL	2	
120-7230	HD DPA MVP Kit RM 3100D/3550/3555 5010-H/5210/5410/5510/5610/6000D7000D		\$58.00
120-5118	BEARING-FLANGE	2	
120-5116	BUSHING-NYLINER	2	
106-5344	RING-RETAINING	4	
108-0015	PIN-DOWEL	2	
3296-33	SCREW-SPECIAL	2	
115-7039	BEARING	2	
119-4155	BUSHING ASM	2	
120-5120	KEY	2	
119-4039	SPACER-BEDBAR	2	

Seal Kits

Part No.	Description	Qty.	Sale Price
117-2727	Hydraulic Connector O-Rings Seal Kit		\$88.03
237-21	9/16" ORFS	10	
237-22	11/16" ORFS	10	
237-30	13/16" ORFS	10	
237-65	1" ORFS	10	
237-58	1-3/16" ORFS	10	
340-65	1-7/16" ORFS	10	
237-156	5/16" SAE	10	
237-78	7/16" SAE	10	
237-42	9/16" SAE	10	
237-79	3/4" SAE	10	
237-80	7/8" SAE	10	
237-81	1-1/16" SAE	10	
237-146	1-5/16" SAE	10	
93-4132	1/2" (HYD TRANS END CAP)	10	
237-54	3/4" (HYD RELIEF CARTRIDGE)	10	
237-38	1-3/4" (GR 500 CLUTCH & RM GANGMOWER GEAR CASE)	10	
93-9783	2-7/8" (HYD MOTOR MOUNTING)	10	
237-161	3-1/4" (TRANSMISSION MOUNTING)	10	
353-949	3-1/4" (HYD MOTOR MOUNTING)	10	
237-95	3-3/4" (HYD TRANS CHARGE PUMP)	10	
237-158	4" (HYD MOTOR MOUNTING)	10	

QUICK REFERENCE GUIDE

MVP KITS

Seal Kits - continued

Part No.	Description	Qty.	Sale Price
108-3263	Multi Pro Open Boom Sprayer Seal Kit		\$45.21
108-3266	SEAL KIT	1	
108-3267	SEAL KIT	1	
108-3268	SEAL KIT	1	
106-6937	DPA Reel Seal Kit		\$61.98
106-6927	SLEEVE	2	
106-6926	SEAL	2	
253-134	SEAL	2	
106-6929	V-RING	2	
104-0532	WASHER-PULLEY	1	
136-1010	GM 3280 Seal Overhaul Rebuild Kit		\$125.97
136-1021	LIP SEAL - SHAFT	1	
136-1023	GASKET - END CAP	1	
136-1031	O-RING	1	
136-1032	O-RING	1	
Not serviced separately	LIP SEAL- JOURNAL BEARING	1	
Not serviced separately	O-RING, JOURNAL BEARING	2	
Not serviced separately	O-RING, BYPASS VALVE	1	
Not serviced separately	BACK UP RING	1	
Not serviced separately	O-RING, BYPASS VALVE	1	
Not serviced separately	O-RING, PLUG	2	
Not serviced separately	O-RING, PLUG	1	

QUICK REFERENCE GUIDE

MVP KITS

Bearing Kits

Part No.	Description	Qty.	Sale Price
121-9517	GR Flex 18/21 (2012 & Up) GR 3300/3400 (2011 & Up) Groomer Rebuild Kit		\$102.56
107-8105	BEARING-BALL, EXTENDED RACE	3	
106-8530	SEAL-GREASE	3	
120-3237	O-RING	1	
360-0398	O-RING	1	
251-259	BEARING-BALL	2	
104-4727	RING-RETAINING	1	
104-4705	BELT-GROOMER	1	
110-4086	RM 5210/5410/5510/5610 RM 6500D/6700D DPA Groomer & Rear Roller Brush Bearing Kit		\$46.00
95-0707	BEARING-SELF ALIGNING	1	
106-8530	SEAL-GREASE	3	
108-4172	SEAL-EXCLUDER	1	
108-2132	ProCore 648 Coring Head Bearing Kit (2004-2007)		\$355.85
106-8871	BEARING-BALL	6	
105-0965	BEARING-BALL	6	
251-311	BEARING-BALL	24	
106-8872	RING-RETAINING	6	
131-4876	ProCore 648 Coring Head Bearing Kit (2008 & after)		\$498.11
110-4556	BEARING - BALL	12	
105-0965	BEARING - BALL	6	
251-311	BEARING - BALL	24	
32151-76	RING - RETAINING	6	
110-4557	SPACER - BEARING	6	

Cutting Unit Hydraulic Hose Kits

Part No.	Description	Qty.	Sale Price
117-0289	GM 4300-D Hydraulic Hose Kit		\$2,160.41
117-0213	HYDRAULIC HOSE ASSEMBLY	1	
117-0211	HYDRAULIC HOSE ASSEMBLY	1	
117-0212	HYDRAULIC HOSE ASSEMBLY	1	
117-0299	HYDRAULIC HOSE ASSEMBLY	4	
104-9323	HOSE - HYDRAULIC	1	
92-7638	HOSE ASSEMBLY	1	
105-1215	HOSE - HYDRAULIC	4	
108-6507	HOSE - HYDRAULIC	2	
3334-945	TIE - CABLE	15	
237-21	O-RING	10	
237-65	O-RING	28	
106-3662	HOSE - HYDRAULIC	4	
98-0642	GR 3000/3050/3100 Cutting Unit Hydraulic Hose Kit		\$200.31
95-5984	HYDRAULIC HOSE ASSEMBLY	1	
95-5985	HYDRAULIC HOSE ASSEMBLY	1	
95-5986	HYDRAULIC HOSE ASSEMBLY	1	
95-5987	HYDRAULIC HOSE ASSEMBLY	1	
95-5988	HYDRAULIC HOSE ASSEMBLY	1	
95-5989	HYDRAULIC HOSE ASSEMBLY	1	

Cutting Unit Hydraulic Hose Kits - continued

Part No.	Description	Qty.	Sale Price
117-2725	GR 3150 Cutting Unit Hydraulic Hose Kit (2006 & UP)		\$574.56
105-5400	HYDRAULIC HOSE ASSEMBLY	1	
105-5401	HYDRAULIC HOSE ASSEMBLY	1	
105-5402	HYDRAULIC HOSE ASSEMBLY	1	
95-2908	HYDRAULIC HOSE ASSEMBLY	2	
105-5404	HYDRAULIC HOSE ASSEMBLY	1	
106-9674	HYDRAULIC HOSE ASSEMBLY	1	
105-5405	HYDRAULIC HOSE ASSEMBLY	1	
95-2909	HYDRAULIC HOSE ASSEMBLY	1	
237-30	O-RING	6	
237-65	O-RING	6	
117-2721	GR 3250D Cutting Unit Hydraulic Hose Kit (2006 & UP)		\$564.14
106-9674	HYDRAULIC HOSE ASSEMBLY	2	
95-2908	HYDRAULIC HOSE ASSEMBLY	2	
95-2909	HYDRAULIC HOSE ASSEMBLY	2	
95-2907	HYDRAULIC HOSE ASSEMBLY	2	
105-5405	HYDRAULIC HOSE ASSEMBLY	1	
237-30	O-RING	12	
237-21	O-RING	6	
136-8519	GR TriFlex 3300/3400 Cutting Unit Hydraulic Hose Kit		\$987.81
119-8145	HYDRAULIC HOSE ASSEMBLY	1	
119-8146	HYDRAULIC HOSE ASSEMBLY	1	
119-8147	HYDRAULIC HOSE ASSEMBLY	1	
119-8157	HYDRAULIC HOSE ASSEMBLY	1	
119-8158	HYDRAULIC HOSE ASSEMBLY	1	
136-8452	HYDRAULIC HOSE ASSEMBLY	1	
119-8160	HYDRAULIC HOSE ASSEMBLY	1	
119-8161	HYDRAULIC HOSE ASSEMBLY	1	
119-8162	HYDRAULIC HOSE ASSEMBLY	1	
237-30	O-RING	12	
237-21	O-RING	3	
237-22	O-RING	3	
117-2724	RM 3100D SPA Cutting Unit 1999-2009 Hydraulic Hose Kit		\$524.09
95-8836	HYDRAULIC HOSE ASSEMBLY	2	
95-8835	HYDRAULIC HOSE ASSEMBLY	2	
95-8837	HYDRAULIC HOSE ASSEMBLY	2	
95-8826	HYDRAULIC HOSE ASSEMBLY	1	
95-8827	HYDRAULIC HOSE ASSEMBLY	1	
95-8828	HYDRAULIC HOSE ASSEMBLY	1	
237-30	O-RING	8	
237-65	O-RING	4	
237-42	O-RING	2	
237-21	O-RING	2	
237-22	O-RING	2	
117-2723	RM 4000D Cutting Unit Hydraulic Hose Kit		\$1,768.25
98-7401	HYDRAULIC HOSE ASSEMBLY	1	
60-3340	HYDRAULIC HOSE ASSEMBLY	1	
98-7400	HYDRAULIC HOSE ASSEMBLY	1	
98-7403	HYDRAULIC HOSE ASSEMBLY	4	
58-5730	HYDRAULIC HOSE ASSEMBLY	1	
98-7404	HYDRAULIC HOSE ASSEMBLY	2	
237-22	O-RING	10	
237-65	O-RING	18	

Cutting Unit Hydraulic Hose Kits - continued

Part No.	Description	Qty.	Sale Price
104-9317	RM 5200D/5400D Cutting Unit Hydraulic Hose Kit		\$1,500.82
100-3876	HYDRAULIC HOSE ASSEMBLY	1	
100-3877	HYDRAULIC HOSE ASSEMBLY	1	
100-3878	HYDRAULIC HOSE ASSEMBLY	1	
100-3879	HYDRAULIC HOSE ASSEMBLY	1	
104-0057	HYDRAULIC HOSE ASSEMBLY	1	
104-0069	HYDRAULIC HOSE ASSEMBLY	1	
104-9321	HYDRAULIC HOSE ASSEMBLY	1	
104-9322	HYDRAULIC HOSE ASSEMBLY	1	
104-9323	HYDRAULIC HOSE ASSEMBLY	1	
98-4583	HYDRAULIC HOSE ASSEMBLY	2	
98-4584	HYDRAULIC HOSE ASSEMBLY	1	
98-4587	HYDRAULIC HOSE ASSEMBLY	1	
3290-379	TIE-CABLE	10	
99-5617	SLEEVE-PROTECTIVE	1	
99-5648	SLEEVE-PROTECTIVE	4	
237-30	SEAL - O-RING	20	
237-21	SEAL - O-RING	10	
117-2720	RM 5210/5410/5510/5610 Cutting Unit Hydraulic Hose Kit (2008-2009)		\$992.49
106-3672	HYDRAULIC HOSE ASSEMBLY	4	
98-4590	HYDRAULIC HOSE ASSEMBLY	2	
114-8868	HYDRAULIC HOSE ASSEMBLY	4	
106-3680	HYDRAULIC HOSE ASSEMBLY	2	
104-3669	HYDRAULIC HOSE ASSEMBLY	1	
106-3670	HYDRAULIC HOSE ASSEMBLY	1	
106-3671	HYDRAULIC HOSE ASSEMBLY	1	
3334-945	TIE-CABLE	15	
237-30	O-RING (ORFS - 8)	20	
237-21	O-RING (ORFS - 4)	10	
119-6955	RM 5210/5410/5510/5610 (2010+) Cutting Unit Hydraulic Hose Kit		\$1,223.58
114-0633	HYDRAULIC HOSE ASSEMBLY	5	
98-4590	HYDRAULIC HOSE ASSEMBLY	2	
117-5188	HYDRAULIC HOSE ASSEMBLY	4	
106-3680	HYDRAULIC HOSE ASSEMBLY	2	
117-5190	HYDRAULIC HOSE ASSEMBLY	1	
106-3670	HYDRAULIC HOSE ASSEMBLY	1	
3334-945	TIE-CABLE	15	
237-30	O-RING (ORFS - 8)	10	
237-21	O-RING (ORFS - 4)	10	
237-65	O-RING (ORFS - 10)	10	
104-9314	RM 5500D Reel Drive Hose Kit		\$1,349.20
104-0069	HYDRAULIC HOSE ASSEMBLY	4	
104-0057	HYDRAULIC HOSE ASSEMBLY	4	
104-0068	HYDRAULIC HOSE ASSEMBLY	1	
104-0067	HYDRAULIC HOSE ASSEMBLY	1	
104-0064	HYDRAULIC HOSE ASSEMBLY	1	
104-0058	HYDRAULIC HOSE ASSEMBLY	2	
104-0063	HYDRAULIC HOSE ASSEMBLY	2	
3290-379	TIE-CABLE	10	
237-30	O-RING (ORFS - 8)	20	
237-21	O-RING (ORFS - 4)	5	
237-22	O-RING (ORFS - 6)	2	

Cutting Unit Hydraulic Hose Kits - continued

Part No.	Description	Qty.	Sale Price
105-0139	RM 6500D/6700D (5 Units) Cutting Unit Hydraulic Hose Kit		\$1,548.12
105-7901	HYDRAULIC HOSE ASSEMBLY	4	
105-7902	HYDRAULIC HOSE ASSEMBLY	2	
105-7903	HYDRAULIC HOSE ASSEMBLY	4	
92-7559	HYDRAULIC HOSE ASSEMBLY	2	
92-7560	HYDRAULIC HOSE ASSEMBLY	1	
99-5614	HYDRAULIC HOSE ASSEMBLY	2	
237-21	O-RING	10	
237-30	O-RING	20	
3253-4	WASHER-LOCK	6	
3290-379	TIE-CABLE	10	
33114-020	SCREW-HH	6	
99-5617	SLEEVE-PROTECTIVE	5	
99-5621	GUIDE-HOSE	3	
105-0140	RM 6700D (2 Wing Units) Cutting Unit Hydraulic Hose Kit		\$826.71
105-7900	HYDRAULIC HOSE ASSEMBLY	4	
94-1433	HYDRAULIC HOSE ASSEMBLY	2	
237-21	O-RING	4	
237-30	O-RING	8	
3253-4	WASHER-LOCK	4	
3290-378	TIE-CABLE	4	
33114-020	SCREW-HH	4	
3334-945	TIE-CABLE	2	
100-3814	SLEEVE-PROTECTIVE	2	
99-5621	GUIDE-HOSE	2	

Roller Rebuild Kits

Part No.	Description	Qty.	Sale Price
107-1588	GR 800/1000/1600 Roller Rebuild Kit		\$44.57
302-5	FITTING-GREASE	2	
52-3180	BEARING-ROLLER	2	
107-1589	GR 3/300/ Style Wiehle Roller Rebuild Kit		\$36.39
302-57	FITTING-GREASE	2	
52-3180	BEARING-ROLLER	2	
107-1588	GR 3/300/3000 Style Roller Rebuild Kit		\$44.57
302-5	FITTING-GREASE	2	
52-3180	BEARING-ROLLER	2	
107-1591	GR 3200 Style (1995-98) Roller Rebuild Kit		\$22.99
302-5	FITTING-GREASE	2	
93-2525	RING-RETAINING	2	
93-2559	BEARING-BALL	2	
107-1593	GR 3200 Style (1999-00) Roller Rebuild Kit		\$21.79
302-5	FITTING-GREASE	2	
32151-12	RING-RETAINING	2	
85-7190	WASHER-SHIELD	2	
85-9970	BEARING-BALL	2	

QUICK REFERENCE GUIDE

MVP KITS

Roller Rebuild Kits - continued

Part No.	Description	Qty.	Sale Price
107-1594	GR DPA (2004 & Up) Roller Rebuild Kit		\$52.88
106-6941	SEAL	2	
106-6942	V-RING	2	
251-347	BEARING-BALL	2	
107-8133	WASHER-FLAT	2	
107-3505	SPACER-TOOL, ROLLER	2	
104-6126	WASHER-FLAT	2	
106-9627	GR DPA Rear Roller Brush Rebuild Kit		\$192.73
106-9626**	SHAFT	1	
105-6792	BRUSH-ROLLER	1	
104-1830	BOLT-J	2	
3296-2	NUT-LOCK	2	
106-9607	Grounds Pro 2000 RM 216/2000/2300/2600/3100 Roller Rebuild Kit		\$26.52
105-0150	SEAL-GREASE	2	
253-152	SEAL-OIL	2	
254-78	BEARING-CONE	2	
254-79	BEARING-CUP	2	
107-1592	RM 223D/5100D/5200D/5300D/ 5400D (1990-2000) Front Roller Rebuild Kit		\$36.46
302-57	FITTING-GREASE	2	
75-1290	BEARING-ROLLER	2	
107-1593	RM 5100D/5200D/5300D/5400D (1993-2000) Rear Roller Rebuild Kit		\$21.79
302-5	FITTING-GREASE	2	
32151-12	RING-RETAINING	2	
85-7190	WASHER-SHIELD	2	
85-9970	BEARING-BALL	2	
107-1592	RM 223D/5100D/5200D/5300D/ 5400D Dethatching Reel Roller Rebuild Kit		\$36.46
302-57	FITTING-GREASE	2	
75-1290	BEARING-ROLLER	2	
106-9606	RM 5200D/5400D (01 & Up) RM 5210/5410/5510/5610 (06-07) Roller Rebuild Kit		\$73.80
109966	BEARING-BALL	2	
253-70	SEAL-OIL	2	
32120-62	RING-RETAINING	2	
93-1251	SEAL-INNER	2	
93-1252	SEAL-OUTER	2	
93-2931	WASHER-ROLLER	2	
93-3007	SEAL-OIL	2	
114-5430	RM 5010-H/5210/5410/5510/5610/6500D67 00D (2008 & Up) Roller Rebuild Kit		\$73.66
114-3717	SEAL-INNER	2	
112-5290	BEARING-BALL	2	
112-7494	SEAL-OUTER	4	
114-5411	NUT - BEARING LOCK	2	
106-9606	RM 5500D/6500D/6700D SPA RM 6500D/6700D DPA (2007) Roller Rebuild Kit		\$73.80
109966	BEARING-BALL	2	
253-70	SEAL-OIL	2	
32120-62	RING-RETAINING	2	
93-1251	SEAL-INNER	2	
93-1252	SEAL-OUTER	2	
93-2931	WASHER-ROLLER	2	
93-3007	SEAL-OIL	2	

Roller Rebuild Kits - continued

Part No.	Description	Qty.	Sale Price
106-9627	RM 5200D/5400D RM 5500D/6500D/6700D SPA Rear Roller Brush Rebuild Kit		\$192.73
106-9626	SHAFT	1	
105-6792	BRUSH-ROLLER	1	
104-1830	BOLT-J	2	
3296-2	NUT-LOCK	2	
107-1595	GM 3500D/4500D/4700D (2000-03) Roller Rebuild Kit		\$34.24
251-347	BEARING-BALL	2	
32120-15	RING-SNAP	2	
99-3842	SEAL-OIL	2	
106-9606	GM 3500D/3505D/4500D/4700D (2003-07) Roller Rebuild Kit		\$73.80
109966	BEARING-BALL	2	
253-70	SEAL-OIL	2	
32120-62	RING-RETAINING	2	
93-1251	SEAL-INNER	2	
93-1252	SEAL-OUTER	2	
93-2931	WASHER-ROLLER	2	
93-3007	SEAL-OIL	2	
114-5430	GM 3500D/3505D/4500D/4700D (2007 & Up) Roller Rebuild Kit		\$73.66
114-3717	SEAL-INNER	2	
112-5290	BEARING-BALL	2	
112-7494	SEAL-OUTER	4	
112-5411	NUT - BEARING LOCK	2	

Groundsmaster® Deck Kits

Part No.	Description	Qty.	Sale Price
95-3078	GM 200 Series 52"/132 cm RD/SD Spindle Kit		\$362.83
27-0870	SPINDLE ASSEMBLY	1	
32128-21	NUT-HEX FLANGE	6	
3231-22	SCREW-CARRIAGE	6	
3256-24	WASHER-FLAT	6	
72-9361	CUP-ANTI SCALP	1	
92-5816	BOLT-BLADE	1	
95-3079	GM 200 Series 62"/158 cm SD Spindle Kit		\$424.21
44-6370	SPINDLE ASSEMBLY	1	
32128-21	NUT-HEX FLANGE	6	
3231-22	SCREW-CARRIAGE	6	
3256-24	WASHER-FLAT	6	
72-9361	CUP-ANTI SCALP	1	
92-5816	BOLT-BLADE	1	
95-3081	GM 200 Series 62"/158 cm Guardian Spindle Kit		\$297.92
253-139	SEAL-OIL	2	
27-0960	BEARING SET	1	
302-2	FITTING-GREASE	1	
32128-21	NUT-HEX FLANGE	6	
3231-27	SCREW-CARRIAGE	6	
3256-24	WASHER-FLAT	6	
32146-20	NUT-LOCK	1	
61-4160	HOUSING-SPINDLE	1	
27-5970	SPACER-SPINDLE SHAFT	1	
72-9361	CUP-ANTI SCALP	1	
92-5604	SHAFT-SPINDLE	1	
92-5606	SPACER-SPINDLE SHAFT	1	
92-5607	PULLEY & HUB ASSEMBLY	1	
92-5816	BOLT-BLADE	1	

Groundsmaster® Deck Kits - continued

Part No.	Description	Qty.	Sale Price
95-3089	GM 300 Series 72"/183 cm RD/SD Left Spindle Kit		\$312.29
84-2030	SPINDLE ASSEMBLY	1	
32128-21	NUT-HEX FLANGE	8	
3234-1	SCREW-HEX FLANGE	6	
3234-11	SCREW-HEX FLANGE	2	
3256-24	WASHER-FLAT	8	
95-3090	GM 300 Series 72"/183 cm RD/SD Center Spindle Kit		\$312.29
84-2040	SPINDLE ASSEMBLY	1	
32128-21	NUT-HEX FLANGE	8	
3234-1	SCREW-HEX FLANGE	8	
3256-24	WASHER-FLAT	8	
95-3095	GM 300 Series 72"/183 cm RD/SD Right Spindle Kit		\$312.29
84-2050	SPINDLE ASSEMBLY	1	
32128-21	NUT-HEX FLANGE	8	
3234-1	SCREW-HEX FLANGE	6	
3234-11	SCREW-HEX FLANGE	2	
3256-24	WASHER-FLAT	8	
95-3091	GM 300 Series 72"/183 cm Guardian Spindle Kit		\$247.68
17-5979**	SPINDLE ASSEMBLY	1	
32128-21	NUT-HEX FLANGE	6	
3231-27	SCREW-CARRIAGE	6	
3256-24	WASHER-FLAT	6	
72-9361	CUP-ANTI SCALP	1	
119-4778	GM 3280D/3320 Side Discharge Spindle Kit		\$365.31
104-3546	PULLEY-DRIVEN	1	
108-1991	SPINDLE HOUSING ASSEMBLY	1	
108-1956	SPINDLE SHAFT ASSEMBLY	1	
104-3564	SEAL - V-RING	1	
104-8322	WASHER-HARDENED	1	
106-7159	O-RING	1	
3296-60	NUT-LOCK	1	
69-6950	SPACER-SPINDLE SHAFT	1	
119-4776	GM 3280D/3320/4000D/4100D GM 360/3400/4010/7200/7210 RD/Guardian Spindle Kit		\$363.68
104-3546	PULLEY-DRIVEN	1	
119-4546	SPINDLE HOUSING ASSEMBLY	1	
104-3554	SPINDLE SHAFT ASSEMBLY	1	
104-3564	SEAL - V-RING	1	
104-8322	WASHER-HARDENED	1	
106-7159	O-RING	1	
3296-60	NUT-LOCK	1	
69-6950	SPACER-SPINDLE SHAFT	1	
138-6932	GM3500D/3500G/3505D/4500D/4700D Spindle Kit		\$322.40
100-5703	SPACER AND BEARING ASSEMBLY	1	
138-6931	SPINDLE SHAFT ASSEMBLY	1	
253-154	SEAL-OIL	2	
69-6950	SPACER-SPINDLE SHAFT	1	
100-5709	NUT-SPINDLE, SPECIAL	1	
302-62	FITTING-GREASE	2	
94-2703	PLUG	1	
505-7	GREASE 2oz		

Groundsmaster Deck Kits - continued

Part No.	Description	Qty.	Sale Price
69-8400	GM 580D, All Decks (1989-2001), Wing Deck (2002 & UP) Spindle Kit		\$425.76
69-8390-03	PULLEY ASSEMBLY	1	
110-3285	SPINDLE SHAFT ASSEMBLY	1	
253-154	SEAL-OIL	2	
3296-49	NUT-LOCK	1	
108-1483	WASHER-THRUST	1	
6590003	O-RING	1	
69-1530	HOUSING-SPINDLE	1	
69-6950	SPACER-SPINDLE SHAFT	1	
71-2530	BEARING & SPACER SET	1	
302-2	FITTING-GREASE	1	
106-0005	GM 580D Center Deck (02 & Up) Center Spindle Kit		\$608.51
106-0023	PULLEY-CENTER	1	
110-3285	SPINDLE SHAFT ASSEMBLY	1	
253-154	SEAL-OIL	2	
3296-49	NUT-LOCK	1	
108-1483	WASHER-THRUST	1	
6590003	O-RING	1	
69-1530	HOUSING-SPINDLE	1	
69-6950	SPACER-SPINDLE SHAFT	1	
71-2530	BEARING & SPACER SET	1	
302-2	FITTING-GREASE	1	
106-0006	GM 580D Center Deck (02 & Up) Outer Spindle Kit		\$512.59
106-0022	PULLEY-OUTBOARD	1	
110-3285	SPINDLE SHAFT ASSEMBLY	1	
253-154	SEAL-OIL	2	
3296-49	NUT-LOCK	1	
108-1483	WASHER-THRUST	1	
6590003	O-RING	1	
69-1530	HOUSING-SPINDLE	1	
69-6950	SPACER-SPINDLE SHAFT	1	
71-2530	BEARING & SPACER SET	1	
302-2	FITTING-GREASE	1	
105-7269	GM 7200/7210 62"/158 cm Guardian 72"/183 cm Guardian Tall Grass Kit		\$94.11
112-1480-01	PLATE - RIGHT	1	
112-1482-01	PLATE - LEFT	1	
104-8300	NUT-FLANGE	4	
3230-2	BOLT-CARRIAGE	4	

QUICK REFERENCE GUIDE

MVP KITS

Groundsmaster® Blade & Belt Kits

Part No.	Description	Qty.	Sale Price
95-3070	GM 200 Series 52"/132 cm RD/SD Deck Blade & Belt Kit		\$63.63
27-0990-03	BLADE - STANDARD 18"	3	
27-1160	V-BELT	1	
95-3071	GM 200 Series 62"/158 cm SD Deck Blade & Belt Kit		\$71.45
44-6250-03	BLADE - STANDARD 21.75"	3	
44-6260	V-BELT	1	
95-3072	GM 200 Series 72"/183 cm SD Deck Blade & Belt Kit		\$120.44
94-1861-03	BLADE - STANDARD 24.75"	3	
57-0240	V-BELT	1	
95-3087	GM 300 Series 72"/183 cm RD/SD Deck Blade & Belt Kit		\$125.77
29-5530-03	BLADE - STANDARD 25"	3	
21-0890	V-BELT	3	
95-3094	GM 300 Series 72"/183 cm RD/SD Deck Blade & Belt Kit		\$139.65
23-2410-03	BLADE - HIGH SAIL 25"	3	
21-0890	V-BELT	3	
95-3088	GM 300 Series 72"/183 cm Guardian Blade & Belt Kit		\$109.83
85-6040-03	BLADE - STANDARD 25"	3	
93-8457	V BELT-HEX	1	
110-4770	GM 3280D/3320 60"/152 cm SD Blade & Belt Kit		\$171.02
110-4701	BLADE - MEDIUM SAIL 20.5"	3	
108-4391	BELT - HEX	1	
110-4768	GM 3280D/3320 62"/158 cm RD/Guardian Blade & Belt Kit		\$179.02
92-5608-03	BLADE - STANDARD 25"	3	
107-4788	BELT-HEX	1	
110-4771	GM 3280D/3320 72"/18 cm SD Blade & Belt Kit		\$180.51
110-0621	BLADE - MEDIUM SAIL 24.5"	3	
108-4393	BELT - HEX	1	
110-4769	GM 3280D/3320 72"/18 cm RD/Guardian Blade & Belt Kit		\$176.04
108-1958-03	BLADE - STANDARD 25"	3	
107-4738	BELT-HEX	1	
132-1440	GM 5900/5910 Blade & Belt Kit		\$491.88
112-7376	BELT-V	1	
112-7377	BELT-V	6	
130-9151-03	BLADE - 20"	11	
115-8898	GM 5900/5910 Center & Wing Decks Blade & Belt Kit		\$491.88
110-5946-03	BLADE - STANDARD 20"	11	
112-7376	BELT-V	1	
112-7377	BELT-V	6	
105-7270	GM 7200/7210 62"/157.5 cm Guardian Blade & Belt Kit		\$153.46
92-5608-03	BLADE - STANDARD 25"	3	
110-9594	BELT-V	1	
110-9595	BELT-V	1	

Groundsmaster Blade & Belt Kits - continued

Part No.	Description	Qty.	Sale Price
105-7271	GM 7200/7210 72"/182.9 cm Guardian Blade & Belt Kit		\$157.71
108-1958-03	BLADE - STANDARD 25"	3	
110-9592	BELT - V	1	
110-9593	BELT - V	1	
105-7272	GM 7200/7210 72"/182.9 cm SD Deck Blade & Belt Kit		\$154.66
110-0621-03	BLADE - MEDIUM SAIL 24.5"	3	
110-9590	BELT-V	1	
110-9591	BELT-V	1	

Groundsmaster® Caster Wheel Kits

Part No.	Description	Qty.	Sale Price
95-3077	GM 200 Series 52"/132 cm RD/SD (1989 & Up) 62"/158 cm SD (1989-98) 72"/183 cm SD (1989-97) Caster Wheel Kit		\$138.38
68-8970	TIRE & BEARING ASSEMBLY	2	
68-8980	SPANNER-TIRE	2	
32153-5	NUT-LOCK	2	
325-19	SCREW-HH	2	
3256-6	WASHER-FLAT	4	
68-8970	GM 200 Series 52"/132 cm RD/SD (1989 & Up) 62"/158 cm SD (1989-98) 72"/183 cm SD (1989-97) Caster Wheel		\$63.99
68-9840	WHEEL & HUB ASSEMBLY	1	
62-5580	BEARING - OUTSIDE	2	
62-5570	BEARING ROLLER CAGE	1	
95-3076	GM 200 Series 62"/158 cm Guardian Recycler Caster Wheel Kit		\$279.72
85-5760	8" CASTER WHEEL ASSEMBLY	4	
62-4340	SPANNER	4	
32128-23	NUT-HEX FLANGE	4	
325-22	SCREW-HH	4	
3256-6	WASHER-FLAT	8	
85-5760	GM 200 Series 62"/158 cm Guardian Recycler Caster Wheel		\$64.59
85-5760	WHEEL & HUB ASSEMBLY	1	
83-4740	BEARING ROLLER CAGE	1	
62-5580	BEARING - OUTSIDE	2	
302-40	FITTING - GREASE	1	
95-3086	GM 300 Series 72"/183 cm RD/SD (1988 & Up) Caster Wheel Kit		\$240.86
92-1655	CASTER WHEEL ASSEMBLY - FRONT	2	
63-8400	CASTER WHEEL ASSEMBLY - REAR	2	
62-4340	SPANNER - FRONT	2	
63-1770	SPANNER - REAR	2	
32128-23	NUT-HEX FLANGE	4	
325-18	SCREW-HH	2	
325-22	SCREW-HH	2	
3256-6	WASHER-FLAT	8	

Groundsmaster® Caster Wheel Kits - continued

Part No.	Description	Qty.	Sale Price
95-3082	GM 300 Series 72"/183 cm RD/SD (1983 & Up) Front Caster Wheel		\$68.90
92-1655	WHEEL ASSEMBLY - FRONT	1	
62-4340	SPANNER - FRONT	1	
32128-23	NUT-HEX FLANGE	1	
325-22	SCREW-HH	1	
3256-6	WASHER-FLAT	2	
95-3084	GM 300 Series 72"/183 cm RD/SD (1988 & Up) Rear Caster Wheel		\$51.53
63-8400	CASTER WHEEL ASSEMBLY - REAR	1	
63-1770	SPANNER - REAR	1	
32128-23	NUT-HEX FLANGE	1	
325-18	SCREW-HH	1	
3256-6	WASHER-FLAT	2	
95-3085	GM 300 Series 72"/183 cm Guardian Recycler Caster Wheel Kit		\$277.67
92-1655	CASTER WHEEL ASSEMBLY - FRONT	2	
85-5760	CASTER WHEEL ASSEMBLY - REAR	2	
32128-23	NUT-HEX FLANGE	4	
325-22	SCREW-HH	4	
3256-6	WASHER-FLAT	8	
62-4340	SPANNER	4	
95-3083	GM 300 Series 72"/183 cm Guardian Recycler Rear Caster Wheel		\$69.93
85-5760	CASTER WHEEL ASSEMBLY - REAR	1	
62-4340	SPANNER	1	
32128-23	NUT-HEX FLANGE	1	
325-22	SCREW-HH	1	
3256-6	WASHER-FLAT	2	
95-3077	GM 3280D/3320 52"/132 cm SD Caster Wheel Kit		\$138.38
68-8970	TIRE & BEARING ASSEMBLY	2	
68-8980	SPANNER-TIRE	2	
32153-5	NUT-LOCK	2	
325-19	SCREW-HH	2	
3256-6	WASHER-FLAT	2	
68-8970	GM 3280D/3320 52"/132 cm SD Caster Wheel		\$63.99
68-8970	TIRE & BEARING ASSEMBLY	1	
110-4767	GM 3280D/3320 60"/152 cm SD 62"/158 cm RD/Guardian 72"/183 cm RD/SD/Guardian Caster Wheel		\$83.67
93-9938	8" WHEEL ASSEMBLY	1	
327-24	SCREW-HH	1	
3296-53	NUT-LOCK	1	

Groundsmaster Blade Packs

Part No.	Description	Qty.	Sale Price
108-1477	GM 200 Series GM 3280D/3320 52"/132 cm RD/SD Atomic Blade Pack		\$79.74
104-1301	BLADE - ATOMIC 18"	6	
106-0631	GM 200 Series GM 3280D/3320 62"/158 cm RD/SD Atomic Blade Pack		\$83.49
104-1303	BLADE - ATOMIC 21.75"	6	
108-1478	GM 200 Series 72"/183 cm RD/SD Atomic Blade Pack		\$103.23
104-1304	BLADE - ATOMIC 24.75"	6	

QUICK REFERENCE GUIDE

MVP KITS

Groundsmaster Blade Packs - continued

Part No.	Description	Qty.	Sale Price
108-1454	GM 300 Series GM 3280D/3320 72"/183 cm RD/SD Atomic Blade Pack		\$154.81
106-4353-03	BLADE - ATOMIC 25"	6	
108-1452	GM 455D 126"/320 cm Quadfloat Atomic Blade Pack		\$159.07
107-0216-03	BLADE - ATOMIC 19"	7	
108-1453	GM 580D Center & Wing Decks Atomic Blade Pack		\$249.96
107-0217-03	BLADE - ATOMIC 20"	11	
140-0028	GM 1200 Atomic Blade Pack		\$185.79
139-7799-03	BLADE - ATOMIC 19"	9	
108-1462	GM 3500D/3505D 27"/69 cm RD Atomic Blade Pack		\$123.86
107-0235-03	BLADE - ATOMIC 27"	6	
117-2722	GM 4000D 132"/335 cm RD Standard Blade Pack		\$129.21
92-5608-03	BLADE - STANDARD 21.75"	7	
110-6130	GM 4000D 132"/335 cm RD Flat Sail Blade Pack		\$141.05
110-6115-03	BLADE - FLAT SAIL 21.75"	7	
108-1450	GM 4000D 132"/335 cm RD Atomic Blade Pack		\$158.94
107-0214-03	BLADE - ATOMIC 21.75"	7	
137-5500	GM 4000D 132"/335cm Medium Sail Blade Pack		\$141.05
136-4370-03	BLADE - MEDIUM SAIL 21.75"	7	
110-6140	GM 4100D 124"/315 cm RD Flat Sail Blade Pack		\$151.89
110-6116-03	BLADE - FLAT SAIL 19"	7	
108-1451	GM 4100D 124"/315 cm RD Atomic Blade Pack		\$133.73
107-0215-03	BLADE - ATOMIC 19"	7	
108-1463	GM 4500D 27"/69 cm RD Atomic Blade Pack		\$103.22
107-0235-03	BLADE - ATOMIC 27"	5	
108-0800	GM 4500D 27"/69 cm		\$95.52
108-9026-03	BLADE - COMBINATION 27"	5	
108-0800	GM3500D Combo Blade Pack		\$95.52
108-9026-03	BLADE - COMBINATION 27"	5	
108-1464	GM 4700D 27"/69 cm RD Atomic Blade Pack		\$144.50
107-0235-03	BLADE - ATOMIC 27"	7	
115-8896	GM 5900/5910 (2008-2016) Center & Wing Decks Standard Blade Pack		\$261.04
110-5946-03	BLADE - STANDARD 20"	11	
114-0897	GM 5900/5910 (2008-2016) Center & Wing Decks Atomic Blade Pack		\$238.36
110-5948-03	BLADE - ATOMIC 20"	11	
119-8020	GM360 Atomic Blade Pack		\$63.53
110-0624-03	BLADE-ATOMIC 24.5"	3	
119-8021	GM360 High Flow Blade Pack		\$65.01
110-0622-03	BLADE-MEDIUM FLOW 24.5"	3	

QUICK REFERENCE GUIDE

MVP KITS

Filter Kits

Part No.	Description	Qty.	Sale Price
31196	Outcross 9060 500 Hour MVP Filter Kit		\$120.61
108-3814	AIR FILTER	1	
125-2915	FUEL/WATER SEPARATOR	1	
125-7025	FILTER ENGINE OIL	2	
125-8752	FILTER FUEL/OIL	1	
30065	Greensmaster 500/800/1000/1600 & Flex 18/21 (2004-2011) Filter Kit		\$21.55
93-8636	AIR FILTER	1	
93-8637	AIR FILTER	1	
93-8584	SPARK PLUG	1	
30097	Greensmaster 800/1000/1600 & Flex 18/21 (2012 & Up) Filter Kit		\$26.86
121-0618	ELEMENT SET	1	
121-0547	SPARK PLUG	1	
30064	Greensmaster 3150 (up to 2011) 400 Hour Filter Kit		\$67.19
107-7817	OIL FILTER	5	
107-9531	HYDRAULIC OIL FILTER	1	
92-0527	AIR CLEANER CARTRIDGE	1	
92-0530	FILTER ELEMENT	1	
131-6262	Greensmaster 3120/3150Q (2012-2018) 800 Hour Filter Kit		\$185.88
107-7817	FILTER - OIL, ENGINE	9	
92-0527	AIR CLEANER CARTRIDGE	8	
107-9531	HYDRAULIC OIL FILTER	2	
94-2690	FUEL FILTER	1	
108-6945	SPARK PLUG	2	
131-8785	Greensmaster 3120/3150Q (2012-2018) 800 Hour Standard Filter Kit		\$169.82
107-7817	OIL FILTER	8	
92-0527	AIR CLEANER CARTRIDGE	8	
107-9531	HYDRAULIC OIL FILTER	1	
94-2690	FILTER - FUEL	1	
108-6945	SPARK PLUG	2	
44955	Greensmaster 3120/3150 MVP 1,000 Hour Filter Kit (Units with PX Hyd Fluid) (2019 & Up)		\$212.70
92-0527	CARTRIDGE AIR CLEANER	10	
107-7817	ENGINE OIL FILTER	10	
94-2690	FUEL FILTER	2	
108-6945	SPARK PLUG	2	
107-9531	HYD FILTER	1	
30018	Greensmaster 3250D (2003-2006) 400 Hour Filter Kit		\$68.45
108-3842	ENGINE OIL FILTER	5	
107-9531	HYDRAULIC OIL FILTER	1	
108-3811	AIR FILTER	2	
30062	Greensmaster 3250D (2008-2011) 400 Hour Filter Kit		\$105.88
108-3842	ENGINE OIL FILTER	3	
107-9531	HYDRAULIC OIL FILTER	1	
108-3811	AIR FILTER	2	
112-9188	FILTER ELEMENT	1	
30086	Greensmaster 3250D (2012-2018) 500 Hour Filter Kit		\$89.48
115-8189	ENGINE OIL FILTER (KUBOTA D902)	4	
107-9531	HYDRAULIC OIL FILTER	1	
108-3811	AIR FILTER	2	
110-9049	FILTER - SPIN ON	1	

Filter Kits - continued

Part No.	Description	Qty.	Sale Price
44968	Greensmaster 3250-D MVP 1,000 Hour Filter Kit (units with PX Hyd Fluid) (2019 & Up)		\$215.10
115-8189	ENGINE OIL FILTER	11	
108-3811	AIR FILTER	5	
110-9049	FUEL FILTER - SPIN ON	2	
107-9531	OIL HYD FILTER	1	
30042	Greensmaster 3300/3320 400 Hour Filter Kit (Up to 2018)		\$74.26
108-5194	HYDRAULIC OIL FILTER	1	
107-7817	ENGINE OIL FILTER	5	
44969	Greensmaster 3300/3320 MVP 1,000 Hour Filter Kit (units with PX Hyd Fluid) (2019 & Up)		\$234.33
92-0527	CARTRIDGE AIR CLEANER	10	
107-7817	ENGINE OIL FILTER	10	
94-2690	FUEL FILTER	2	
108-6945	SPARK PLUG	2	
108-5194	FILTER OIL HYD.	1	
30043	Greensmaster 3400/3420 400 Hour Filter Kit (Up to 2018)		\$86.17
108-3811	AIR FILTER	2	
108-5194	HYDRAULIC OIL FILTER	1	
115-8189	ENGINE OIL FILTER	3	
44970	Greensmaster 3400/3420 Tri-Flex MVP 1,000 Hour Filter Kit (units with PX Hyd Fluid) (2019 & Up)		\$236.73
115-8189	ENGINE OIL FILTER	11	
108-3811	AIR FILTER	5	
110-9049	FUEL FILTER - SPIN ON	2	
108-5194	FILTER OIL HYD.	1	
44971	Greensmaster 3360 e-TriFlex MVP 400 Hour Filter Kit (2019 & Up)		\$78.59
119-5852	OIL FILTER	4	
120-7448	AIR FILTER	2	
30016	Reelmaster 3100D (1999-2007) 400 Hour Filter Kit		\$113.53
108-3841	ENGINE OIL FILTER	3	
54-0110	HYDRAULIC OIL FILTER	3	
108-3811	AIR FILTER	2	
98-9764	FUEL/WATER SEPARATOR	1	
108-3828	FUEL FILTER - IN-LINE	1	
30053	Reelmaster 3100D (2008 & Up) 400 Hour Filter Kit		\$87.60
108-3841	ENGINE OIL FILTER	3	
54-0110	HYDRAULIC OIL FILTER	2	
108-3811	AIR FILTER	2	
110-9049	FUEL/WATER SEPARATOR	1	
30090	Reelmaster 3550D/3555D/3575D 400 Hour Filter Kit (2016-2018)		\$100.64
108-3841	ENGINE OIL FILTER	3	
86-3010	TRANSMISSION OIL FILTER	3	
108-3811	AIR FILTER	2	
110-9049	FILTER-SPIN ON	1	
110-9049	FUEL/WATER SEPARATOR	1	

Filter Kits - continued

Part No.	Description	Qty.	Sale Price
30012	Reelmaster 4000D (2002-2007) 400 Hour Filter Kit		\$164.54
104-5169	ENGINE OIL FILTER	3	
86-6110	HYDRAULIC OIL FILTER	1	
108-3828	FUEL FILTER - IN-LINE	1	
98-9764	FUEL/WATER SEPARATOR	1	
108-3812	AIR FILTER - OUTER	1	
108-3813	AIR FILTER - INNER	1	
30061	Reelmaster 4000D (2008 & Up) 400 Hour Filter Kit		\$160.59
104-5169	ENGINE OIL FILTER	3	
86-6110	HYDRAULIC OIL FILTER	1	
98-9764	FUEL/WATER SEPARATOR	1	
108-3812	AIR FILTER - OUTER	1	
108-3813	AIR FILTER - INNER	1	
30015	Reelmaster 5200D/5400D 400 Hour Filter Kit		\$99.59
108-3841	ENGINE OIL FILTER	3	
110-4146	TRANSMISSION OIL FILTER	1	
108-3828	FUEL FILTER - IN-LINE	1	
108-3810	AIR FILTER	1	
98-9764	FUEL/WATER SEPARATOR	1	
30039	Reelmaster 5210/5410/5510 (2006-2007) 400 Hour Filter Kit		\$78.18
108-3841	ENGINE OIL FILTER	4	
108-3828	FUEL FILTER - IN-LINE	1	
108-3810	AIR FILTER	1	
98-9764	FUEL/WATER SEPARATOR	1	
30054	Reelmaster 5210/5410/5510 pre Tier 4 (2008-2018) 400 Hour Filter Kit		\$108.47
108-3841	ENGINE OIL FILTER	3	
108-3810	AIR FILTER	1	
110-9049	FUEL/WATER SEPARATOR	1	
94-2621	HYDRAULIC OIL FILTER	1	
86-3010	HYDRAULIC OIL FILTER	1	
30247	Reelmaster 5010-H 800 Hour Filter Kit (2015-2018)		\$103.13
108-3841	ENGINE OIL FILTER	6	
110-9049	FUEL/WATER SEPARATOR	2	
86-3010	HYDRAULIC OIL FILTER	1	
108-3810	AIR FILTER	1	
44959	Reelmaster 5010-H (non-Tier 4) MVP 1,000 Hour Filter Kit (units with PX Hyd Fluid) (2019 & Up)		\$171.29
108-3810	AIR FILTER	2	
108-3841	ENGINE OIL	7	
94-2621	ELEMENT FILTER	1	
86-3010	TRANSMISSION OIL FILTER	1	
110-9049	FUEL FILTER	2	
44966	Reelmaster 5010-H (Tier 4) MVP 1,000 Hour Filter Kit (units with PX Hyd Fluid) (2019 & Up)		\$127.61
108-3841	AIR FILTER	7	
110-9049	FUEL FILTER SPIN ON	2	
86-3010	TRANSMISSION OIL FILTER	1	
108-3810	AIR FILTER	2	

Filter Kits - continued

Part No.	Description	Qty.	Sale Price
30091	Reelmaster 5410G/5510G 800 Hour MVP Filter Kit		\$100.52
108-3810	AIR FILTER	1	
108-3841	OIL FILTER	4	
94-2621	FILTER ELEMENT	1	
86-3010	TRANSMISSION OIL FILTER	1	
30093	Reelmaster 5410D/5510D Tier 4 Final 800 Hour MVP Filter Kit		\$269.64
108-3810	AIR FILTER	1	
125-7025	OIL FILTER	3	
94-2621	FILTER ELEMENT	1	
86-3010	TRANSMISSION OIL FILTER	1	
125-2915	FILTER SPIN ON	2	
125-8752	FUEL FILTER	2	
44964	Reelmaster 5410/5510 Groundsmaster 4300 MVP 1,000 Hour Filter Kit (Tier 4) (Units with PX Hyd Fluid) (2019 & Up)		\$321.80
108-3810	AIR FILTER	2	
125-7025	ENGINE OIL FILTER	7	
94-2621	ELEMENT FILTER	1	
86-3010	TRANSMISSION OIL FILTER	1	
125-2915	FUEL FILTER WS	2	
125-8752	FILTER FUEL/OIL	2	
30038	Reelmaster 5500D 400 Hour Filter Kit		\$157.51
108-3841	ENGINE OIL FILTER	5	
110-4146	TRANSMISSION OIL FILTER	1	
94-2621	HYDRAULIC OIL FILTER	1	
108-3810	AIR FILTER	1	
98-9764	FUEL/WATER SEPARATOR	1	
108-3828	FUEL FILTER - IN-LINE	1	
30040	Reelmaster 5610 (2006-2007) 400 Hour Filter Kit		\$78.18
108-3841	ENGINE OIL FILTER	4	
108-3828	FUEL FILTER - IN-LINE	1	
108-3812	AIR FILTER	1	
98-9764	FUEL/WATER SEPARATOR	1	
30055	Reelmaster 5610 (2008-2014) 400 Hour Filter Kit		\$108.47
108-3841	ENGINE OIL FILTER	3	
108-3812	AIR FILTER	1	
110-9049	FUEL/WATER SEPARATOR	1	
94-2621	HYDRAULIC OIL FILTER	1	
86-3010	HYDRAULIC OIL FILTER	1	
44960	Reelmaster 5610 (non-tier 4) MVP 1,000 Hour Filter Kit (units with PX Hyd Fluid) (2019 & Up)		\$171.29
108-3812	AIR FILTER	2	
108-3841	ENGINE OIL FILTER	7	
94-2621	ELEMENT FILTER	1	
86-3010	FILTER OIL TRANSMISSION	1	
110-9049	FUEL FILTER-SPIN ON	2	

QUICK REFERENCE GUIDE

MVP KITS

Filter Kits - continued

Part No.	Description	Qty.	Sale Price
30014	Reelmaster 6500D/6700D (2003-2007) 400 Hour Filter Kit		\$131.41
108-3841	ENGINE OIL FILTER	3	
108-3828	FUEL FILTER - IN-LINE	1	
98-9764	FUEL/WATER SEPARATOR	1	
108-3812	AIR FILTER - OUTER	1	
108-3813	AIR FILTER - INNER	1	
94-2621	HYDRAULIC OIL FILTER	1	
30057	Reelmaster 6500D/6700D (2008 & Up) 400 Hour Filter Kit		\$115.24
108-3841	ENGINE OIL FILTER	3	
110-9049	FUEL/WATER SEPARATOR	1	
108-3812	AIR FILTER - OUTER	1	
108-3813	AIR FILTER - INNER	1	
94-2621	HYDRAULIC OIL FILTER	1	
30056	Reelmaster 7000D 400 Hour Filter Kit (2008-2012)		\$157.72
104-5169	ENGINE OIL FILTER	3	
75-1310	HYD OIL FILTER - PUMP	1	
94-2621	HYD OIL FILTER - MANIFOLD	1	
110-9049	FUEL/WATER SEPARATOR	1	
108-3814	AIR FILTER - OUTER	1	
108-3816	AIR FILTER - INNER	1	
30030	Groundsmaster 223D 400 Hour Filter Kit		\$131.29
108-3841	ENGINE OIL FILTER	5	
23-2300	TRANSMISSION OIL FILTER	2	
43-2550	FILTER - ELEC FUEL PUMP	1	
63-8300	FUEL/WATER SEPARATOR	1	
108-3833	AIR FILTER	2	
30002	Groundsmaster 225 400 Hour Filter Kit		\$74.94
108-3842	ENGINE OIL FILTER	5	
23-2300	TRANSMISSION OIL FILTER	3	
108-3833	AIR FILTER	1	
95-2926	FUEL FILTER	1	
30001	Groundsmaster 228D 400 Hour Filter Kit		\$107.62
108-3841	ENGINE OIL FILTER	5	
23-2300	TRANSMISSION OIL FILTER	3	
98-9764	FUEL/WATER SEPARATOR	1	
108-3828	FUEL FILTER - IN-LINE	1	
108-3810	AIR FILTER	1	
30023	Groundsmaster 325D 400 Hour Filter Kit		\$118.80
108-3841	ENGINE OIL FILTER	5	
23-9740	TRANSMISSION OIL FILTER	3	
43-2550	FILTER - ELEC FUEL PUMP	1	
63-8300	FUEL/WATER SEPARATOR	1	
108-3833	AIR FILTER	1	
30022	Groundsmaster 328D (2001-2007) 400 Hour Filter Kit		\$98.61
108-3841	ENGINE OIL FILTER	3	
23-9740	TRANSMISSION OIL FILTER	3	
108-3828	FUEL FILTER - IN-LINE	1	
98-9764	FUEL/WATER SEPARATOR	1	
108-3810	AIR FILTER	1	

Filter Kits - continued

Part No.	Description	Qty.	Sale Price
30059	Groundsmaster 328D (2008 & Up) 400 Hour Filter Kit		\$108.53
108-3841	ENGINE OIL FILTER	3	
23-9740	TRANSMISSION OIL FILTER	3	
112-7836	FUEL FILTER - IN-LINE	1	
110-9049	FUEL/WATER SEPARATOR	1	
108-3810	AIR FILTER	2	
30021	Groundsmaster 345 400 Hour Filter Kit		\$79.00
108-3817	ENGINE OIL FILTER	5	
23-9740	TRANSMISSION OIL FILTER	3	
108-3831	FUEL FILTER	1	
108-3833	AIR FILTER	1	
30261	Groundsmaster 360/7210 Tier 4 Final - Yanmar (2015 & Up) 400 Hour Filter Kit		\$140.13
108-3810	FILTER - AIR	1	
125-7025	FILTER	1	
108-5194	FILTER - OIL, HYDRAULIC	1	
125-2915	FILTER - SPIN ON	1	
125-8752	FILTER - FUEL	1	
30028	Groundsmaster 455D 400 Hour Filter Kit		\$82.24
108-3837	ENGINE OIL FILTER	5	
86-3010	HYDRAULIC OIL FILTER	1	
76-5220	FUEL FILTER	1	
108-3812	AIR FILTER - OUTER	1	
108-3813	AIR FILTER - INNER	1	
30024	Groundsmaster 580D (1989-2003) 400 Hour Filter Kit		\$220.37
110-6166	ENGINE OIL FILTER	5	
69-1720	HYDRAULIC OIL FILTER	2	
69-1770	FUEL/WATER SEPARATOR	2	
108-3815	AIR FILTER	1	
30063	Groundsmaster 580D (2004-2008) 400 Hour Filter Kit		\$219.33
110-6166	ENGINE OIL FILTER	3	
69-1720	HYDRAULIC OIL FILTER	2	
60-5470	FUEL/WATER SEPARATOR	1	
108-3815	AIR FILTER	2	
30010	Groundsmaster 3000D 400 Hour Filter Kit		\$95.42
108-3837	ENGINE OIL FILTER	5	
94-3951	HYDRAULIC OIL FILTER	2	
76-5220	FUEL FILTER	1	
108-3812	AIR FILTER	1	
30034	Groundsmaster 3280D (2005-2007) 400 Hour Filter Kit		\$107.51
108-3841	ENGINE OIL FILTER	4	
23-2300	TRANSMISSION OIL FILTER	4	
98-9764	FUEL/WATER SEPARATOR	1	
108-3828	FUEL FILTER - IN-LINE	1	
108-3810	AIR FILTER	1	
30051	Groundsmaster 3280D (2008-2015) 400 Hour Filter Kit		\$69.24
108-3841	ENGINE OIL FILTER	3	
23-2300	TRANSMISSION OIL FILTER	2	
110-9049	FUEL/WATER SEPARATOR	1	
108-3810	AIR FILTER	1	

Filter Kits - continued

Part No.	Description	Qty.	Sale Price
30262	Groundsmaster 3280D (2016 & After) 400 Hour Filter Kit		\$74.10
108-3841	ENGINE OIL FILTER	3	
54-0110	TRANSMISSION OIL FILTER	2	
110-9049	FUEL/WATER SEPARATOR	1	
108-3810	AIR FILTER	1	
30027	Groundsmaster 3500D/3505D (2002-2007) 400 Hour Filter Kit		\$120.18
108-3841	ENGINE OIL FILTER	3	
86-3010	HYDRAULIC OIL FILTER	3	
108-3828	FUEL FILTER - IN-LINE	1	
98-9764	FUEL/WATER SEPARATOR	1	
108-3810	AIR FILTER	2	
30058	Groundsmaster 3500D/3505D (2008 & Up) 400 Hour Filter Kit (Non-Tier 4)		\$104.01
108-3841	ENGINE OIL FILTER	3	
86-3010	HYDRAULIC OIL FILTER	3	
110-9049	FUEL/WATER SEPARATOR	1	
108-3810	AIR FILTER	2	
30090	Groundsmaster 3500D/3505D (Model 30807 & 30849) 400 Hour Filter Kit (2011-2018)		\$100.64
108-3841	ENGINE OIL FILTER	3	
86-3010	TRANSMISSION OIL FILTER	3	
108-3811	AIR FILTER	2	
110-9049	FILTER-SPIN ON	1	
110-9049	FUEL/WATER SEPARATOR	1	
44962	Groundsmaster 35XX (non-Tier 4) MVP 1,000 Hour Filter Kit (units with PX Hyd Fluid) (2019 & Up)		\$178.19
108-3810	AIR FILTER	5	
108-3841	ENGINE OIL FILTER	7	
86-3010	TRANSMISSION OIL FILTER	1	
110-9049	FUEL FILTER	2	
30246	Groundsmaster 3500G (Model 30809) 400 Hour Filter MVP Kit		\$143.01
108-3811	AIR FILTER	2	
115-8189	ENGINE OIL FILTER	3	
86-3010	HYDRAULIC OIL FILTER	3	
121-3625	FUEL PUMP FILTER	1	
30029	Groundsmaster 4000D/4100D/4500D/4700D (2002-2008) 400 Hour Filter Kit		\$173.89
104-5169	ENGINE OIL FILTER	3	
75-1310	HYD OIL FILTER - PUMP	1	
94-2621	HYD OIL FILTER - MANIFOLD	1	
98-9764	FUEL/WATER SEPARATOR	1	
108-3828	FUEL FILTER - IN-LINE	1	
108-3814	AIR FILTER - OUTER	1	
108-3816	AIR FILTER - INNER	1	
30056	Groundsmaster 4000D/4100D/4500D/4700D (2008-2012) 400 Hour Filter Kit		\$157.72
104-5169	ENGINE OIL FILTER	3	
75-1310	HYD OIL FILTER - PUMP	1	
94-2621	HYD OIL FILTER - MANIFOLD	2	
110-9049	FUEL/WATER SEPARATOR	1	
108-3814	AIR FILTER - OUTER	1	
108-3816	AIR FILTER - INNER	1	

Filter Kits - continued

Part No.	Description	Qty.	Sale Price
30089	Groundsmaster 4000D/4100D/4500D/4700D Tier 4i 800 Hour Filter MVP Kit Yanmar Engine		\$213.74
125-7025	OIL FILTER	3	
75-1310	HYDRAULIC OIL FILTER	1	
94-2621	HYDRAULIC OIL FILTER	1	
115-9793	BREATHER	1	
108-3814	AIR FILTER	1	
108-3816	AIR FILTER	1	
110-9049	FILTER SPIN ON	2	
110-4812	FUEL FILTER	1	
30408	Groundsmaster 4000D/4100D/4500D/4700D/RM7000D Tier 4 Final (2013-2018) 800 Hour Filter MVP Kit		\$355.96
125-7025	OIL FILTER	3	
75-1310	HYDRAULIC OIL FILTER	1	
94-2621	HYDRAULIC OIL FILTER	1	
115-9793	BREATHER	1	
108-3814	AIR FILTER	1	
108-3816	AIR FILTER	1	
125-2915	FILTER SPIN ON	2	
125-8752	FUEL FILTER	2	
110-4812	AXLE VENT ASM	1	
110-4815	INSERT FILTER ASM	1	
44967	Groundsmaster 4000/4100 MVP 1,000 Hour Filter Kit (units with PX Hyd Fluid) (2019 & Up)		\$374.45
125-7025	ENGINE OIL FILTER	2	
75-1310	HYD FILTER	1	
94-2621	ELEMENT	1	
115-9793	BREATHER	1	
125-2915	FUEL FILTER WATER SEPARATOR	2	
125-8752	FUEL FILTER	2	
108-3814	AIR FILTER	2	
108-3816	AIR FILTER	2	
30055	Groundsmaster 4300 400 Hour Filter Kit (2010-2018) (Kubota) (Tier 4i)		\$108.47
108-3841	ENGINE OIL FILTER	3	
108-3812	AIR FILTER	1	
110-9049	FUEL/WATER SEPARATOR	1	
94-2621	HYDRAULIC OIL FILTER	1	
86-3010	HYDRAULIC OIL FILTER	1	
30093	Groundsmaster 4300D 800 Hour MVP Filter Kit (2014-2018) (Tier 4) (Yanmar)		\$269.64
108-3810	AIR FILTER	1	
125-7025	OIL FILTER	3	
94-2621	FILTER ELEMENT	1	
86-3010	TRANSMISSION OIL FILTER	1	
125-2915	FILTER SPIN ON	2	
125-8752	FUEL FILTER	2	
44964	Groundsmaster 4300 MVP 1,000 Hour Filter Kit (Tier 4) (Units with PX Hyd Fluid) (2019 & Up)		\$321.80
108-3810	AIR FILTER	2	
125-7025	ENGINE OIL FILTER	7	
94-2621	ELEMENT FILTER	1	
86-3010	TRANSMISSION OIL FILTER	1	
125-2915	FUEL FILTER WS	2	
125-8752	FUEL FILTER/OIL	2	

QUICK REFERENCE GUIDE

MVP KITS

Filter Kits - continued

Part No.	Description	Qty.	Sale Price
30041	Groundsmaster 5900/5910 400 Hour Filter Kit (up to 2018) non-Tier 4		\$223.57
130-8860	ENGINE OIL FILTER	2	
86-6110	HYD OIL FILTER - MAIN	1	
75-1310	HYD OIL FILTER - PTO	1	
115-5471	FUEL/WATER SEPARATOR	1	
117-2792	FUEL FILTER - AT ENGINE	1	
31609	Groundsmaster 5900/5910 Tier 4 Final 400 Hour Filter Kit (Up to 2018)		\$218.22
125-7025	OIL FILTER	2	
75-1310	HYD OIL FILTER - PTO	1	
86-6110	HYD OIL FILTER - MAIN	1	
125-2915	FILTER SPIN ON	1	
125-8752	FUEL FILTER	1	
44958	Groundsmaster 5900/5910 MVP 1,000 Filter Kit (units with PX Hyd Fluid) (2019 & Up)		\$419.54
125-7025	OIL FILTER	2	
75-1310	HYD. FILTER	1	
86-6110	HYD. FILTER	1	
125-2915	FUEL FILTER WATER SEPARATOR	2	
125-8752	FUEL FILTER	2	
108-3815	AIR FILTER	2	
130-9070	ELEMENT SAFETY	2	
30037	Groundsmaster 7200/7210 (2007-2013) 400 Hour Filter Kit		\$127.02
108-3841	ENGINE OIL FILTER	3	
108-5194	TRANSMISSION OIL FILTER	2	
98-9764	FUEL/WATER SEPARATOR	1	
108-3810	AIR FILTER	1	
108-3828	FUEL FILTER - IN-LINE	1	
30052	Groundsmaster 7200/7210 (2008 & Up) 400 Hour Filter Kit - Kubota		\$82.71
108-3841	ENGINE OIL FILTER	3	
108-5194	TRANSMISSION OIL FILTER	1	
110-9049	FUEL/WATER SEPARATOR	1	
108-3810	AIR FILTER	1	
30008	Hydroject 3000 Aerator 400 Hour Maintenance Kit		\$114.40
108-3817	ENGINE OIL FILTER	5	
67-8110	TRANSMISSION OIL FILTER	3	
71-5960	FUEL FILTER	2	
82-0660	AIR FILTER - ELEMENT	2	
57-9340	SPARK PLUG	2	
30005	Workman 1100/1110/MD 400 Hour Filter Kit		\$30.36
108-3811	AIR FILTER	2	
30004	Workman 2100/2110/MDX 400 Hour Filter Kit		\$56.64
107-7817	ENGINE OIL FILTER	4	
108-3811	AIR FILTER	2	
30017	Workman 3200/4200 (2002 & Up) 400 Hour Maintenance Kit		\$74.05
108-3842	ENGINE OIL FILTER	5	
108-3811	AIR FILTER	2	
105-8045	FUEL FILTER	1	
108-6945	SPARK PLUG	3	

Filter Kits - continued

Part No.	Description	Qty.	Sale Price
30006	Workman 3300D/4300D (2002 & Up) 400 Hour Filter Kit		\$76.55
108-3842	ENGINE OIL FILTER	5	
108-3811	AIR FILTER	1	
54-0110	TRANSMISSION OIL FILTER	1	
63-8300	FUEL/WATER SEPARATOR	1	
30035	Sand/Infield Pro 3040/5040 400 Hour Filter Kit (Up to 2018)		\$132.91
107-7817	ENGINE OIL FILTER	9	
54-0110	HYDRAULIC OIL FILTER	2	
108-3811	AIR FILTER	2	
44957	Sand/Infield Pro 3040/5040 MVP 1,000 Hour Filter Kit (units with PX Hyd Fluid) (2019 & Up)		\$193.55
107-7817	ENGINE OIL FILTER	10	
108-3811	AIR FILTER	5	
94-2690	FUEL FILTER	2	
115-7854	FUEL FILTER INLINE	2	
54-0110	HYD. TRANS FILTER	1	
08725	SandPro 2040Z 400 Hour Filter Kit		\$384.63
114-3494	FILTER ELEMENT	2	
127-0381	INNER FILTER KIT	4	
119-5852	OIL FILTER	5	
108-3811	AIR FILTER	2	
115-7854	IN-LINE FUEL FILTER	2	
92-2153	SPARK PLUG	2	
131-3751	1200/1250/1750 MVP Kit Filter/Screen Suction		\$1,004.23
120-0796	PUMP KIT	1	
100-8642	SUCTION SCREEN	1	
131-0209	PRESSURE SCREEN	1	
130-7304	VALVE KIT	6	
30073	Workman HDX Series (2012 & Older) - 400 Hour Maintenance Kit		\$98.90
108-3811	AIR FILTER	2	
108-3842	OIL FILTER	3	
115-7854	FUEL FILTER - INLINE (5/16)	2	
54-0110	TRANSMISSION OIL FILTER	1	
115-7818	FUEL FILTER ASM	1	
30068	Workman HDX-D Series (2012 & Older) - 400 Hour Maintenance Kit		\$74.27
108-3811	AIR FILTER	2	
108-3842	OIL FILTER	3	
110-9049	FUEL/WATER SEPARATOR	1	
54-0110	TRANSMISSION OIL FILTER	1	
30248	Workman HDX Series (2013 & Up) - 400 Hour Maintenance Kit		\$150.48
108-3810	AIR FILTER	2	
115-8189	FILTER-OIL, ENGINE	3	
115-7818	FUEL FILTER ASM	1	
54-0110	FILTER-OIL,TRANSMISSION	1	
125-9139	SPARK PLUG	3	
110-3796	V-BELT	1	
30249	Workman HDX-D Series (2013 & Up) - 400 Hour Maintenance Kit		\$126.45
108-3810	AIR FILTER	2	
115-8189	FILTER-OIL, ENGINE	3	
110-9049	FILTER-SPIN ON	1	
54-0110	FILTER-OIL,TRANSMISSION	1	
110-3796	V-BELT	1	

Filter Kits - continued

Part No.	Description	Qty.	Sale Price
131-8276	Workman HDX-Auto (2014 & Up) - 400 Hour Maintenance Kit		\$122.89
108-3811	AIR FILTER	4	
108-3847	OIL FILTER	3	
115-7818	FUEL FILTER ASM	1	
54-0110	FILTER-OIL,TRANSMISSION	1	
136-1100	SPARK PLUG	2	
136-6280	Workman GTX - 400 Hour Maintenance Kit		\$68.08
108-3811	AIR FILTER	4	
131-8589	SPARK PLUG	1	
130-8380	FUEL FILTER	1	

Touch-Up Paint

Part No.	Description	Qty.	Sale Price
361-1	TORO Red (Prior to 1990) 12 oz Spray Can Touch-Up Paint	A/R	\$5.80
361-10	TORO Red (1990 & Up) 12 oz Spray Can Touch-Up Paint	A/R	\$5.99
112-0178	TORO Red (1990 & Up) 0.6 oz Brush-in-Cap Touch-Up Paint	A/R	\$6.61
112-0177	TORO Red (1990 & Up) 0.3 oz Paint Marker Touch-Up Paint	A/R	\$11.89
112-0176	TORO Black 0.6 oz Brush-in-Cap Touch-Up Paint	A/R	\$6.61

QUICK REFERENCE GUIDE

FILTERS

Greensmaster[®] - Walkers

Equipment	Description	Part No.	Sale Price
Greensmaster 500/800/1000/1600/2600	Maintenance Kit (2004 - 2011)	30065**	\$21.55
	Maintenance Kit (2012 & Up)	30097**	\$26.86
	AIR FILTER ELEMENT - MAIN	93-8636	\$15.66
	AIR FILTER ELEMENT - WRAPPER	93-8637	\$3.98
	GAS FUEL FILTER SCREEN (GR 1000 1995-MID 1996 & UP ONLY)	93-8684	\$16.95
	GAS FUEL FILTER SCREEN	94-6826	\$18.29
Greensmaster Flex 18/1800/1820 Flex 21/2100/2120	Maintenance Kit (2004 - 2011)	30065**	\$21.55
	Maintenance Kit (2012 & Up)	30097**	\$26.86
	AIR FILTER ELEMENT - MAIN	93-8636	\$15.66
	AIR FILTER ELEMENT - WRAPPER	93-8637	\$3.98
	GAS FUEL FILTER SCREEN	94-6826	\$18.29

Greensmaster[®] - Riders

Equipment	Description	Part No.	Sale Price
Greensmaster 300	ENGINE OIL FILTER BREATHER ELEMENT	235118	Kohler
	AIR FILTER ELEMENT	235116	Kohler
	IN-LINE FUEL FILTER	108-3831	\$7.29
	HYDRAULIC OIL FILTER ELEMENT	74-3570	\$32.25
	AIR FILTER ELEMENT	92-0530	\$4.49
Greensmaster 3000	ENGINE OIL FILTER BREATHER ELEMENT	235118	Kohler
	AIR FILTER ELEMENT - MAIN	4508302	Kohler
	AIR FILTER ELEMENT - WRAPPER	4508301	Kohler
	IN-LINE FUEL FILTER	108-3831	\$7.29
	HYDRAULIC OIL FILTER ELEMENT	74-3570	\$32.25
	AIR FILTER ELEMENT	92-0530	\$4.49
Greensmaster 3000D	ENGINE OIL FILTER	108-3841	\$7.83
	AIR FILTER ELEMENT	108-3833	\$19.33
	FUEL FILTER DIESEL - ELECTRIC FUEL PUMP	43-2550	\$15.81
	FUEL FILTER ELEMENT - DIESEL	63-8300	\$21.42
	HYDRAULIC OIL FILTER	74-3570	\$32.25
Greensmaster 3050 3100	ENGINE OIL FILTER	107-7817	\$9.71
	AIR FILTER ELEMENT - MAIN	92-0527	\$10.50
	IN-LINE FUEL FILTER	94-2690	\$3.49
	HYDRAULIC OIL FILTER	74-3570	\$32.25
	Greensmaster 3150	400 Hour Filter Kit (Up to 2011)	30064**
800 Hour Filter Kit (2013-2018)		131-6262**	\$185.88
MVP Kit 1000 Hour (2019 & Up)		44955**	\$212.70
ENGINE OIL FILTER		107-7817	\$9.71
AIR FILTER ELEMENT - MAIN		92-0527	\$10.50
IN-LINE FUEL FILTER		94-2690	\$3.49
HYDRAULIC OIL FILTER		107-9531	\$7.19
ENGINE OIL FILTER		491056	B&S
AIR FILTER ELEMENT		108-3811	\$15.98
IN-LINE FUEL FILTER (1995-96)		94-2690	\$3.49
IN-LINE FUEL FILTER (1997-98)	108-3854	\$3.49	
HYDRAULIC OIL FILTER ELEMENT	75-1310	\$43.44	
Greensmaster 3200	ENGINE OIL FILTER	85-4930	\$7.29
	AIR FILTER ELEMENT	108-3811	\$15.98
	DIESEL FUEL FILTER	130366040	Perkins
	HYDRAULIC OIL FILTER ELEMENT	75-1310	\$43.44
	Greensmaster 3200D	ENGINE OIL FILTER	85-4930
AIR FILTER ELEMENT		108-3811	\$15.98
DIESEL FUEL FILTER		130366040	Perkins
HYDRAULIC OIL FILTER ELEMENT		75-1310	\$43.44
400 Hour Filter Kit (2003-2006)		30018**	\$68.45
400 Hour Filter Kit (2007-2011)		30062**	\$105.88
500 Hour Filter Kit (2012-2018)		30086**	\$89.48
MVP Kit 1000 Hour (2019 & Up)		44968**	\$215.10
ENGINE OIL FILTER (2007-2011)		108-3842	\$6.58
ENGINE OIL FILTER		115-8189	\$9.71
AIR FILTER ELEMENT		108-3811	\$15.98
AIR FILTER SAFETY		98-2982	\$17.03
DIESEL FUEL FILTER ELEMENT (2000-06)		100-3192	\$72.02
BIO-DIESEL FUEL FILTER ELEMENT (2007-2011)		112-9188	\$45.98
FILTER - SPIN ON		110-9049	\$16.20
HYDRAULIC OIL FILTER ELEMENT (2000-02)	75-1310	\$43.44	
HYDRAULIC OIL FILTER ELEMENT (2003 & UP)	107-9531	\$7.19	

QUICK REFERENCE GUIDE

FILTERS

Greensmaster[®] - Riders - continued

Equipment	Description	Part No.	Sale Price
Greensmaster 3300 3320	400 Hour Filter Kit	30042**	\$74.26
	MVP Kit 1000 Hour (2019 & Up)	44969**	\$234.33
	IN-LINE FUEL FILTER	115-7854	\$4.98
	IN-LINE FUEL FILTER	94-2690	\$3.49
	HYDRAULIC OIL FILTER	108-5194	\$29.62
Greensmaster 3360 (e-TriFlex)	MVP Kit 400 Hour (2019 & Up)	44971**	\$78.59
	FILTER - FUEL INLINE	115-7854	\$4.98
	FILTER - ELEMENT AIR	120-7448	\$24.69
Greensmaster 3400 3420	400 Hour Filter Kit	30043**	\$86.17
	MVP Kit 1000 Hour (2019 & Up)	44970**	\$236.73
	ENGINE OIL FILTER	115-8189	\$9.71
	AIR FILTER	108-3811	\$15.98
	DIESEL FUEL FILTER (2008 & UP)	110-9049	\$16.20
	HYDRAULIC OIL FILTER ELEMENT	108-5194	\$29.62

Reelmaster[®]

Equipment	Description	Part No.	Sale Price
Reelmaster 216	ENGINE OIL FILTER BREATHER ELEMENT	235118	Kohler
	AIR FILTER ELEMENT - MAIN	4508302	Kohler
	AIR FILTER ELEMENT - WRAPPER	4508301	Kohler
	GAS IN-LINE FUEL FILTER	108-3854	\$3.49
	HYDRAULIC OIL FILTER	54-0110	\$10.28
Reelmaster 216D	ENGINE OIL FILTER	85-4930	\$7.29
	AIR FILTER ELEMENT	108-3808	\$17.75
	DIESEL FUEL FILTER ELEMENT	130336040	Perkins
	HYDRAULIC OIL FILTER	54-0110	\$10.28
Grounds Pro 2000	ENGINE OIL FILTER	107-7817	\$9.71
	AIR FILTER ELEMENT - MAIN	92-0527	\$10.50
	AIR FILTER ELEMENT - WRAPPER	2724905	B&S
	IN-LINE FUEL FILTER	108-3854	\$3.49
	HYDRAULIC OIL FILTER ELEMENT	54-0110	\$10.28
Grounds Pro 2000D	ENGINE OIL FILTER	108-3842	\$6.58
	AIR FILTER ELEMENT	108-3811	\$15.98
	DIESEL FUEL FILTER ELEMENT SEPARATOR	63-8300	\$21.42
	HYDRAULIC OIL FILTER	54-0110	\$10.28
	Reelmaster 2000D	ENGINE OIL FILTER	108-3842
AIR FILTER ELEMENT (2005 & UP)		108-3811	\$15.98
DIESEL FUEL FILTER ELEMENT SEPARATOR		63-8300	\$21.42
HYDRAULIC OIL FILTER ELEMENT		54-0110	\$10.28
Reelmaster 2300D 2600D		ENGINE OIL FILTER	85-4930
	AIR FILTER ELEMENT	108-3811	\$15.98
	DIESEL FUEL FILTER ELEMENT	130336040	Perkins
	HYDRAULIC OIL FILTER ELEMENT	54-0110	\$10.28
	Reelmaster 3100	400 Hour Filter Kit (1999-2007)	30016**
400 Hour Filter Kit (2008 & Up)		30053**	\$87.60
ENGINE OIL FILTER		108-3841	\$7.83
ENGINE OIL FILTER BREATHER ELEMENT		98-9493	\$2.34
AIR FILTER ELEMENT (2005 & UP)		108-3811	\$15.98
IN-LINE PLASTIC DIESEL FUEL FILTER (1999-07 & 2010)		98-7612	\$6.25
IN-LINE METAL DIESEL FUEL FILTER (1999-07)		108-3828	\$4.16
DIESEL FUEL FILTER ELEMENT (1999-07)		98-9764	\$29.06
DIESEL FUEL FILTER ELEMENT (2008 & UP)		110-9049	\$16.20
IN-LINE BIO-DIESEL KIT		112-7836	\$9.71
ELEMENT BIO-DIESEL KIT		110-9015	\$45.89
HYDRAULIC OIL FILTER ELEMENT		54-0110	\$10.28
FILTER HEAD (2001 & UP)		92-5821	\$60.83
400 Hour Filter Kit		30090**	\$100.64
MVP Kit 1000 Hour (2019 & Up) Tier 4		44963**	\$169.81
AIR FILTER		108-3811	\$15.98
ENGINE OIL FILTER		108-3841	\$7.83
TRANSMISSION OIL FILTER	86-3010	\$11.43	
SPIN ON FILTER	110-9049	\$16.20	
FILTER HEAD	92-5821	\$60.83	

QUICK REFERENCE GUIDE

FILTERS

Reelmaster® - continued

Equipment	Description	Part No.	Sale Price	
Reelmaster 223D 5100D	ENGINE OIL FILTER	108-3841	\$7.83	
	AIR FILTER ELEMENT	108-3833	\$19.33	
	AIR FILTER PRE-CLEANER ASSEMBLY	48-7430	\$35.70	
	DIESEL FUEL FILTER ELEMENT SEPARATOR	63-8300	\$21.42	
	DIESEL ELECTRIC FUEL PUMP FILTER (EFP)	43-2550	\$15.81	
	HYDRAULIC OIL FILTER ELEMENT RESERVOIR	75-1310	\$43.44	
	HYDRAULIC OIL FILTER ELEMENT TRANS	110-4146	\$30.37	
	HYDRAULIC OIL FILTER ELEMENT FRONT AXLE	75-6340	\$54.57	
Reelmaster 5210 5410 5510	400 Hour Filter Kit (2006-07)	30039**	\$78.18	
	400 Hour Filter Kit (2008-2018) non Tier 4	30054**	\$108.47	
	MVP Kit 1000 Hour (2019 & Up) non Tier 4	44959**	\$171.29	
	MVP Kit 1000 Hour (2019 & Up) Tier 4	44964**	\$321.80	
	ENGINE OIL FILTER	108-3841	\$7.83	
	AIR FILTER ELEMENT	108-3810	\$17.75	
	IN-LINE PLASTIC DIESEL FUEL FILTER (2006-07)	98-7612	\$6.25	
	IN-LINE METAL DIESEL FUEL FILTER (2006-07)	108-3828	\$4.16	
	DIESEL FUEL FILTER ELEMENT (2006-07)	98-9764	\$29.06	
	DIESEL FUEL FILTER ELEMENT (2008 & UP)	110-9049	\$16.20	
	IN-LINE BIO-DIESEL KIT	112-7836	\$9.71	
	ELEMENT BIO-DIESEL KIT	110-9015	\$45.89	
	FILTER HEAD (2006 & UP)	92-5821	\$60.83	
	Reelmaster 5410G 5510G	800 Hour Filter Kit	30091**	\$100.52
		AIR FILTER	108-3810	\$17.75
		OIL FILTER	108-3841	\$7.83
		FILTER ELEMENT	94-2621	\$45.31
TRANSMISSION OIL FILTER		86-3010	\$11.43	
Reelmaster 5410D 5510D	800 Hour Filter Kit Tier 4 Final	30093**	\$269.64	
	AIR FILTER	108-3810	\$17.75	
	ENGINE FILTER	125-7025	\$9.08	
	FILTER ELEMENT	94-2621	\$45.31	
	TRANSMISSION OIL FILTER	86-3010	\$11.43	
	FILTER SPIN ON	125-2915	\$29.16	
	FUEL FILTER	125-8752	\$61.89	
Reelmaster 5010-H	800 Hour Filter Kit	30247**	\$103.13	
	MVP Kit 1000 Hour (2019 & Up)	44966**	\$127.61	
	ENGINE OIL FILTER	108-3841	\$7.83	
	FUEL/WATER SEPARATOR	110-9049	\$16.20	
	HYDRAULIC OIL FILTER	86-3010	\$11.43	
	AIR FILTER	108-3810	\$17.75	
Reelmaster 5200D 5400D	400 Hour Filter Kit	30015**	\$99.59	
	ENGINE OIL FILTER	108-3841	\$7.83	
	ENGINE OIL FILTER BREATHER ELEMENT	98-9493	\$2.34	
	AIR FILTER ELEMENT (2005 & UP)	108-3810	\$17.75	
	AIR FILTER PRE-CLEANER ASSEMBLY	48-7430	\$35.70	
	IN-LINE PLASTIC DIESEL FUEL FILTER (1998)	98-7612	\$6.25	
	IN-LINE METAL DIESEL FUEL FILTER (1998)	108-3828	\$4.16	
	DIESEL FUEL FILTER ASSEMBLY (1991-01)	99-8351	\$42.82	
	DIESEL FUEL FILTER ELEMENT (1991-01)	99-8358	\$6.78	
	IN-LINE PLASTIC DIESEL FUEL FILTER (2002 & UP)	98-7612	\$6.25	
	IN-LINE METAL DIESEL FUEL FILTER (2002 & UP)	108-3828	\$4.16	
	DIESEL FUEL FILTER ELEMENT SEPARATOR	98-9764	\$29.06	
	IN-LINE BIO-DIESEL KIT	112-7836	\$9.71	
	BIO-DIESEL FUEL FILTER ELEMENT	110-9015	\$45.89	
	HYDRAULIC OIL FILTER ELEMENT RESERVOIR	75-1310	\$43.44	
	HYDRAULIC OIL FILTER ELEMENT TRANS	110-4146	\$30.37	
	HYDRAULIC OIL FILTER ELEMENT FRONT AXLE	75-6340	\$54.57	
	Reelmaster 5300D	ENGINE OIL FILTER	112-8409	\$9.26
		AIR FILTER ELEMENT	108-3833	\$19.33
		AIR FILTER PRE-CLEANER ASSEMBLY	48-7430	\$35.70
		DIESEL FUEL FILTER ELEMENT SEPARATOR	63-8300	\$21.42
		DIESEL ELECTRIC FUEL PUMP	43-2550	\$15.81
		HYDRAULIC OIL FILTER ELEMENT RESERVOIR	75-1310	\$43.44
HYDRAULIC OIL FILTER ELEMENT TRANS		110-4146	\$30.37	
HYDRAULIC OIL FILTER ELEMENT FRONT AXLE		75-6340	\$54.57	

QUICK REFERENCE GUIDE

FILTERS

Reelmaster® - continued

Equipment	Description	Part No.	Sale Price	
Reelmaster 5500D	400 Hour Filter Kit	30038**	\$157.51	
	ENGINE OIL FILTER	108-3841	\$7.83	
	ENGINE OIL BREATHER ELEMENT	98-9493	\$2.34	
	AIR FILTER ELEMENT (2005 & UP)	108-3810	\$17.75	
	AIR FILTER PRE-CLEANER ASSEMBLY	48-7430	\$35.70	
	IN-LINE DIESEL FUEL FILTER (2000-01)	99-8351	\$42.82	
	IN-LINE PLASTIC DIESEL FUEL FILTER (2002 & UP)	98-7612	\$6.25	
	IN-LINE METAL DIESEL FUEL FILTER (2002 & UP)	108-3828	\$4.16	
	DIESEL FUEL FILTER ELEMENT SEPARATOR	98-9764	\$29.06	
	IN-LINE BIO-DIESEL KIT	112-7836	\$9.71	
	BIO-DIESEL FUEL FILTER ELEMENT	110-9015	\$45.89	
	HYDRAULIC OIL FILTER ELEMENT RESERVOIR	94-2621	\$45.31	
	HYDRAULIC OIL FILTER ELEMENT TRANS	110-4146	\$30.37	
	HYDRAULIC OIL FILTER ELEMENT FRONT AXLE	75-6340	\$54.57	
Reelmaster 5610	400 Hour Filter Kit (2006-07)	30040**	\$78.18	
	400 Hour Filter Kit (2008 - 2012)	30055**	\$108.47	
	MVP Kit 1000 Hour (2019 & Up) Non-Tier 4	44960**	\$171.29	
	ENGINE OIL FILTER	108-3841	\$7.83	
	AIR FILTER ELEMENT	108-3812	\$17.75	
	IN-LINE PLASTIC DIESEL FUEL FILTER (2006-07)	98-7612	\$6.25	
	IN-LINE METAL DIESEL FUEL FILTER (2006-07)	108-3828	\$4.16	
	DIESEL FUEL FILTER ELEMENT (2006-07)	98-9764	\$29.06	
	DIESEL FUEL FILTER ELEMENT (2008 & UP)	110-9049	\$16.20	
	IN-LINE BIO-DIESEL KIT	112-7836	\$9.71	
	BIO-DIESEL FUEL FILTER ELEMENT	110-9015	\$45.89	
	HYDRAULIC OIL FILTER ELEMENT STEERING	86-3010	\$11.43	
	HYDRAULIC OIL FILTER ELEMENT RESERVOIR	94-2621	\$45.31	
	Reelmaster 6500D 6700D	400 Hour Filter Kit (2003-07)	30014**	\$131.41
		400 Hour Filter Kit (2008 & Up)	30057**	\$115.24
		ENGINE OIL FILTER (1995-01)	108-3837	\$6.16
		ENGINE OIL FILTER (2001 & UP)	108-3841	\$7.83
ENGINE OIL BREATHER ELEMENT (2001 & UP)		98-9493	\$2.34	
AIR FILTER OUTER		108-3812	\$17.75	
AIR FILTER INNER		108-3813	\$18.56	
DIESEL FUEL FILTER ELEMENT (1995-01)		76-5220	\$8.03	
DIESEL FUEL FILTER ASSEMBLY (2001-02)		99-8351	\$42.82	
DIESEL FUEL FILTER ELEMENT (2001-02)		99-8358	\$6.78	
IN-LINE PLASTIC DIESEL FUEL FILTER (2003-07)		98-7612	\$6.25	
IN-LINE METAL DIESEL FUEL FILTER (2003-07)		108-3828	\$4.16	
DIESEL FUEL FILTER ELEMENT (2003-07)		98-9764	\$29.06	
DIESEL FUEL FILTER ELEMENT (2008 & UP)		110-9049	\$16.20	
IN-LINE BIO-DIESEL KIT		112-7836	\$9.71	
ELEMENT BIO-DIESEL KIT	110-9015	\$45.89		
HYDRAULIC OIL FILTER ELEMENT	94-2621	\$45.31		
Reelmaster 335D 3500D	ENGINE OIL FILTER	108-3837	\$6.16	
	AIR FILTER ELEMENT	108-3833	\$19.33	
	DIESEL FUEL FILTER ELEMENT	76-5220	\$8.03	
	HYDRAULIC OIL FILTER ELEMENT	86-3010	\$11.43	
Reelmaster 450D 4500D	ENGINE OIL FILTER	108-3835	\$7.98	
	AIR FILTER ELEMENT	108-3833	\$19.33	
	AIR FILTER PRE-CLEANER ASSEMBLY	48-7430	\$35.70	
	DIESEL FUEL FILTER ELEMENT	60-5470	\$59.98	
	HYDRAULIC OIL FILTER ELEMENT (1986-92)	69-1720	\$37.06	
	HYDRAULIC OIL FILTER ELEMENT (1993 & UP)	86-6110	\$77.06	

QUICK REFERENCE GUIDE

FILTERS

Reelmaster¹ - continued

Equipment	Description	Part No.	Sale Price
Reelmaster 4000D	400 Hour Filter Kit (2002-07)	30012**	\$164.54
	400 Hour Filter Kit (2008 & Up)	30061**	\$160.59
	ENGINE OIL FILTER	104-5169	\$8.87
	ENGINE OIL BREATHER ELEMENT	98-7419	\$1.05
	AIR FILTER OUTER	108-3812	\$17.75
	AIR FILTER INNER	108-3813	\$18.56
	IN-LINE PLASTIC DIESEL FUEL FILTER (1998-01)	98-7612	\$6.25
	IN-LINE METAL DIESEL FUEL FILTER (1998-01)	108-3828	\$4.16
	IN-LINE DIESEL FUEL FILTER ASSEMBLY (2002-03)	99-8351	\$42.82
	IN-LINE DIESEL FUEL FILTER ELEMENT (2002-03)	99-8358	\$6.78
	IN-LINE PLASTIC DIESEL FUEL FILTER (2004-2007)	98-7612	\$6.25
	IN-LINE METAL DIESEL FUEL FILTER (2004-07)	108-3828	\$4.16
	DIESEL FUEL FILTER ELEMENT SEPARATOR (1998-01)	76-5220	\$8.03
	DIESEL FUEL FILTER ELEMENT SEPARATOR (2002 & UP)	98-9764	\$29.06
	IN-LINE BIO-DIESEL KIT	112-7836	\$9.71
	ELEMENT BIO-DIESEL KIT	110-9015	\$45.89
	HYDRAULIC OIL FILTER ELEMENT	86-6110	\$77.06
Reelmaster 7000D	ENGINE OIL FILTER	104-5169	\$8.87
	AIR FILTER OUTER	108-3814	\$17.75
	AIR FILTER INNER	108-3816	\$16.71
	GAS FUEL FILTER ELEMENT (2008 & UP)	110-9049	\$16.20
	HYDRAULIC OIL FILTER AT PUMP	75-1310	\$43.44
	HYDRAULIC OIL FILTER AT MANIFOLD	94-2621	\$45.31
	OIL FILTER	93-2242	\$137.36

Groundsmaster¹

Equipment	Description	Part No.	Sale Price
Groundsmaster 52	AIR FILTER ELEMENT	108-3808	\$17.75
	IN-LINE GAS FUEL FILTER	108-3831	\$7.29
	HYDRAULIC OIL FILTER ELEMENT - TRANS	23-2300	\$7.72
Groundsmaster 62	ENGINE OIL FILTER	108-3817	\$5.44
	AIR FILTER ELEMENT	108-3833	\$19.33
	IN-LINE GAS FUEL FILTER	108-3831	\$7.29
	HYDRAULIC OIL FILTER ELEMENT - TRANS	23-2300	\$7.72
Groundsmaster 217D	ENGINE OIL FILTER	42-9030	\$7.20
	AIR FILTER ELEMENT	108-3833	\$19.33
	IN-LINE DIESEL FUEL FILTER	43-1820	\$17.17
	DIESEL ELECTRIC FUEL PUMP FILTER (EFP)	43-2550	\$15.81
	HYDRAULIC OIL FILTER ELEMENT- TRANS	23-2300	\$7.72
Groundsmaster 220	ENGINE OIL FILTER	108-3817	\$5.44
	ENGINE OIL FILTER BREATHER ELEMENT	57-8580	\$3.26
	AIR FILTER ELEMENT	108-3833	\$19.33
	IN-LINE GAS FUEL FILTER	71-5960	\$8.49
	HYDRAULIC OIL FILTER ELEMENT- TRANS	23-2300	\$7.72
Groundsmaster 220D 223D	400 Hour Filter Kit	30030**	\$131.29
	ENGINE OIL FILTER	108-3841	\$7.83
	AIR FILTER ELEMENT	108-3833	\$19.33
	DIESEL FUEL FILTER ELEMENT SEPARATOR	63-8300	\$21.42
	DIESEL ELECTRIC FUEL PUMP FILTER (EFP)	43-2550	\$15.81
	HYDRAULIC OIL FILTER ELEMENT- TRANS	23-2300	\$7.72
Groundsmaster 224	ENGINE OIL FILTER	108-3841	\$7.83
	AIR FILTER ELEMENT	108-3833	\$19.33
	IN-LINE GAS FUEL FILTER	108-3831	\$7.29
	GAS ELECTRIC FUEL PUMP FILTER	43-2550	\$15.81
	HYDRAULIC OIL FILTER ELEMENT- TRANS	23-2300	\$7.72
Groundsmaster 225	400 Hour Filter Kit	30002**	\$74.94
	ENGINE OIL FILTER	108-3842	\$6.58
	AIR FILTER ELEMENT	108-3833	\$19.33
	IN-LINE GAS FUEL FILTER	108-3854	\$3.49
	HYDRAULIC OIL FILTER ELEMENT- TRANS	23-2300	\$7.72

QUICK REFERENCE GUIDE

FILTERS

Groundsmaster¹ - continued

Equipment	Description	Part No.	Sale Price
Groundsmaster 228D	400 Hour Filter Kit	30001**	\$107.62
	ENGINE OIL FILTER	108-3841	\$7.83
	ENGINE OIL FILTER BREATHER ELEMENT	98-9493	\$2.34
	AIR FILTER ELEMENT	108-3810	\$17.75
	IN-LINE PLASTIC DIESEL FUEL FILTER	98-7612	\$6.25
	IN-LINE METAL DIESEL FUEL FILTER	108-3828	\$4.16
	DIESEL FUEL FILTER ELEMENT SEPARATOR	98-9764	\$29.06
	IN-LINE BIO-DIESEL FUEL FILTER KIT	112-7836	\$9.71
	BIO-DIESEL FUEL FILTER ELEMENT	110-9015	\$45.89
	DIESEL ELECTRIC FUEL PUMP FILTER (EFP)	43-2550	\$15.81
	HYDRAULIC OIL FILTER ELEMENT- TRANS	23-2300	\$7.72
Groundsmaster 322D	ENGINE OIL FILTER	42-9030	\$7.20
	AIR FILTER ELEMENT	108-3833	\$19.33
	IN-LINE DIESEL FUEL FILTER	43-1820	\$17.17
	DIESEL FUEL FILTER ELEMENT SEPARATOR (1989-90)	63-8300	\$21.42
	DIESEL ELECTRIC FUEL PUMP FILTER (EFP)	43-2550	\$15.81
	HYDRAULIC OIL FILTER ELEMENT- TRANS	23-2300	\$7.72
Groundsmaster 325D	400 Hour Filter Kit	30023**	\$118.80
	ENGINE OIL FILTER 2WD	42-9030	\$7.20
	ENGINE OIL FILTER 4WD (1991-94)	42-9030	\$7.20
	ENGINE OIL FILTER 4WD (1995 & UP)	108-3841	\$7.83
	AIR FILTER ELEMENT	108-3833	\$19.33
	IN-LINE DIESEL FUEL FILTER	43-1820	\$17.17
	DIESEL FUEL FILTER ELEMENT SEPARATOR	63-8300	\$21.42
	DIESEL ELECTRIC FUEL PUMP FILTER (EFP)	43-2550	\$15.81
	HYDRAULIC OIL FILTER ELEMENT	23-9740	\$9.78
	<i>Contact Toro Distributor</i>		
Groundsmaster 327	ENGINE OIL FILTER	108-3833	\$19.33
	AIR FILTER ELEMENT	108-3831	\$7.29
	IN-LINE GAS FUEL FILTER	108-3831	\$7.29
	HYDRAULIC OIL FILTER ELEMENT - TRANS	23-2300	\$7.72
Groundsmaster 328D	400 Hour Filter Kit (2001 thru 2007)	30022**	\$98.61
	400 Hour Filter Kit (2008 & Up)	30059**	\$108.53
	ENGINE OIL FILTER	108-3841	\$7.83
	ENGINE OIL FILTER BREATHER ELEMENT	98-9493	\$2.34
	AIR FILTER ELEMENT	108-3810	\$17.75
	IN-LINE PLASTIC DIESEL FUEL FILTER (2001-07)	98-7612	\$6.25
	IN-LINE METAL DIESEL FUEL FILTER (2001-07)	108-3828	\$4.16
	DIESEL FUEL FILTER ELEMENT (2001-07)	98-9764	\$29.06
Groundsmaster 345	DIESEL FUEL FILTER ELEMENT (2008 & UP)	110-9049	\$16.20
	DIESEL ELECTRIC FUEL PUMP FILTER (EFP)	43-2550	\$15.81
	IN-LINE BIO-DIESEL FUEL FILTER KIT	112-7836	\$9.71
	BIO-DIESEL FUEL FILTER ELEMENT	110-9015	\$45.89
	HYDRAULIC OIL FILTER ELEMENT	23-9740	\$9.78
	400 Hour Filter Kit	30021**	\$79.00
	ENGINE OIL FILTER	108-3817	\$5.44
	AIR FILTER ELEMENT	108-3833	\$19.33
	GAS FUEL FILTER AT TANK	108-3831	\$7.29
	GAS FUEL FILTER ENGINE (1999 & UP)	FG778B	Ford
HYDRAULIC OIL FILTER	23-9740	\$9.78	
Groundsmaster 360	MVP Filter Kit	30261**	\$140.13
	ENGINE OIL FILTER	108-3841	\$7.83
	AIR FILTER ELEMENT	108-3810	\$17.75
	DIESEL FUEL FILTER ELEMENT (2008 & UP)	110-9049	\$16.20
HYDRAULIC OIL FILTER ELEMENT TRANS	108-5194	\$29.62	
Groundsmaster 455D	400 Hour Filter Kit	30028**	\$82.24
	ENGINE OIL FILTER	108-3837	\$6.16
	AIR FILTER ELEMENT (1992-95)	108-3833	\$19.33
	AIR FILTER ELEMENT OUTER (1996 & UP)	108-3812	\$17.75
	AIR FILTER ELEMENT INNER (1996 & UP)	108-3813	\$18.56
	DIESEL FUEL FILTER ELEMENT	76-5220	\$8.03
	HYDRAULIC OIL FILTER ELEMENT	86-3010	\$11.43

QUICK REFERENCE GUIDE FILTERS

Groundsmaster[®] - continued

Equipment	Description	Part No.	Sale Price	
Groundsmaster 580D	400 Hour Filter Kit (1989-03)	30024**	\$220.37	
	400 Hour Filter Kit (2004 & Up)	30063**	\$219.33	
	ENGINE OIL FILTER (1989-97)	108-3835	\$7.98	
	ENGINE OIL FILTER (1998 & UP)	110-6166	\$17.75	
	AIR FILTER ELEMENT (1989-97)	108-3809	\$26.11	
	AIR FILTER ELEMENT 2005 & UP)	108-3815	\$21.76	
	DIESEL FUEL FILTER ELEMENT INJECTION PUMP	108-3818	\$7.30	
	DIESEL FUEL FILTER FEED PUMP	70-4790	\$4.89	
	DIESEL FUEL FILTER ELEMENT (1989-03)	117-9432	\$23.67	
	DIESEL FUEL FILTER ELEMENT (2004-05)	60-5470	\$59.98	
	IN-LINE DIESEL FUEL FILTER (2006 & UP)	108-3831	\$7.29	
	BIO-DIESEL FUEL FILTER ELEMENT KIT	112-9188	\$45.98	
	HYDRAULIC OIL FILTER ELEMENT	69-1720	\$37.06	
	Groundsmaster 3000	ENGINE OIL FILTER	FL-400-A	Ford
AIR FILTER ELEMENT (1996)		108-3812	\$17.75	
GAS FUEL FILTER		FG795A	Ford	
HYDRAULIC OIL FILTER ELEMENT		94-3951	\$21.93	
Groundsmaster 3000D	400 Hour Filter Kit	30010**	\$95.42	
	ENGINE OIL FILTER	108-3837	\$6.16	
	AIR FILTER ELEMENT (1996)	108-3812	\$17.75	
	DIESEL FUEL FILTER ELEMENT	76-5220	\$8.03	
Groundsmaster 3280D	400 Hour Filter Kit (2005-07)	30034**	\$107.51	
	400 Hour Filter Kit (2008-2015)	30051**	\$69.24	
	400 Hour filter Kit (2016 & Up)	30262**	\$74.10	
	ENGINE OIL FILTER	108-3841	\$7.83	
	AIR FILTER ELEMENT (2005 & UP)	108-3810	\$17.75	
	IN-LINE PLASTIC DIESEL FUEL FILTER (2005-07)	98-7612	\$6.25	
	IN-LINE METAL DIESEL FUEL FILTER (2005-07)	108-3828	\$4.16	
	DIESEL FUEL FILTER ELEMENT (2005-07)	98-9764	\$29.06	
	DIESEL FUEL FILTER ELEMENT (2008 - 2012)	110-9049	\$16.20	
	IN-LINE BIO-DIESEL FUEL FILTER KIT	112-7836	\$9.71	
	BIO-DIESEL FUEL FILTER ELEMENT	110-9015	\$45.89	
	HYDRAULIC OIL FILTER ELEMENT - TRANS	23-2300	\$7.72	
	Groundsmaster 3320	ENGINE OIL FILTER	108-3842	\$6.58
		AIR FILTER ELEMENT (2005 & UP)	108-3810	\$17.75
IN-LINE GAS FUEL FILTER		108-3854	\$3.49	
HYDRAULIC OIL FILTER ELEMENT - TRANS		23-2300	\$7.72	
Groundsmaster 3500D 3505D	400 Hour Filter Kit (2002-2007)	30027**	\$120.18	
	400 Hour Filter Kit (2008-2012)	30058**	\$104.01	
	400 Hour Filter Kit (2013-2018)	30090**	\$100.64	
	MVP Kit 1000 Hour (2019 & Up) Non-Tier 4	44962**	\$178.19	
	MVP Kit 1000 Hour (2019 & Up) Tier 4	44963**	\$169.81	
	ENGINE OIL FILTER	108-3841	\$7.83	
	ENGINE OIL FILTER BREATHER ELEMENT	98-9493	\$2.34	
	AIR FILTER ELEMENT (2005 & UP)	108-3810	\$17.75	
	IN-LINE PLASTIC DIESEL FUEL FILTER (2002-07)	98-7612	\$6.25	
	IN-LINE METAL DIESEL FUEL FILTER (2002-07)	108-3828	\$4.16	
	DIESEL FUEL FILTER ELEMENT (2002-07)	98-9764	\$29.06	
	DIESEL FUEL FILTER ELEMENT (2008-2012)	110-9049	\$16.20	
	IN-LINE BIO-DIESEL FUEL FILTER KIT	112-7836	\$9.71	
	BIO-DIESEL FUEL FILTER ELEMENT	110-9015	\$45.89	
Groundsmaster 3500G	MVP Kit 1000 Hour (2019 & Up)	44965**	\$247.10	
	HYDRAULIC OIL FILTER ELEMENT (2000-01)	54-0110	\$10.28	
	HYDRAULIC OIL FILTER ELEMENT (2002 & UP)	86-3010	\$11.43	

QUICK REFERENCE GUIDE FILTERS

Groundsmaster[®] - continued

Equipment	Description	Part No.	Sale Price
Groundsmaster 4000D 4100D	400 Hour Filter Kit (2001-07)	30029**	\$173.89
	400 Hour Filter Kit (2008 & Up)	30056**	\$157.72
	800 Hour Filter Kit (T4i)	30089**	\$213.74
	800 Hour Filter Kit (T4F)	30408**	\$355.96
	MVP Kit 1000 Hour (2019 & Up)	44967**	\$374.45
	ENGINE OIL FILTER (2001 & UP)	104-5169	\$8.87
	ENGINE OIL FILTER BREATHER ELEMENT	98-7419	\$1.05
	AIR FILTER ELEMENT INNER (2004 & UP)	108-3816	\$16.71
	AIR FILTER ELEMENT OUTER (2004 & UP)	108-3814	\$17.75
	IN-LINE PLASTIC DIESEL FUEL FILTER (2001-07)	98-7612	\$6.25
	IN-LINE METAL DIESEL FUEL FILTER (2001-07)	108-3828	\$4.16
	DIESEL FUEL FILTER ELEMENT (2001-07)	98-9764	\$29.06
	DIESEL FUEL FILTER ELEMENT (2008 & UP)	110-9049	\$16.20
	IN-LINE BIO-DIESEL FUEL FILTER KIT	112-7836	\$9.71
Groundsmaster 4300D	BIO-DIESEL FUEL FILTER ELEMENT	110-9015	\$45.89
	HYDRAULIC OIL FILTER ELEMENT AT PUMP	75-1310	\$43.44
	HYDRAULIC OIL FILTER ELEMENT AT MANIFOLD	94-2621	\$45.31
	OIL FILTER	93-2242	\$137.36
	FILTER - FUEL/WATER SEPARATOR	125-2915	\$29.16
	400 Hour Filter Kit (2008-2012)	30055**	\$108.47
	800 Hour Filter MVP Kit (2013-2018)	30093**	\$269.64
	MVP Kit 1000 Hour (2019 & Up) Tier 4	44964**	\$321.80
	ENGINE OIL FILTER	108-3841	\$7.83
	AIR FILTER	108-3812	\$17.75
	IN-LINE DIESEL FUEL FILTER	110-9044	\$64.18
	DIESEL FUEL FILTER ELEMENT (2008 - 2012)	110-9049	\$16.20
	HYDRAULIC OIL FILTER RESERVOIR ELEMENT	94-2621	\$45.31
	HYDRAULIC OIL FILTER AT PUMP ELEMENT	86-3010	\$11.43
Groundsmaster 4500D 4700D	400 Hour Filter Kit (2001-07)	30029**	\$173.89
	400 Hour Filter Kit (2008 & Up)	30056**	\$157.72
	800 Hour Filter Kit (T4i)	30089**	\$213.74
	800 Hour Filter Kit (T4F)	30408**	\$355.96
	ENGINE OIL FILTER	104-5169	\$8.87
	ENGINE OIL FILTER BREATHER ELEMENT	98-7419	\$1.05
	AIR FILTER ELEMENT INNER (2004 & UP)	108-3816	\$16.71
	AIR FILTER ELEMENT OUTER (2004 & UP)	108-3814	\$17.75
	IN-LINE PLASTIC DIESEL FUEL FILTER (2002-07)	98-7612	\$6.25
	IN-LINE METAL DIESEL FUEL FILTER (2002-07)	108-3828	\$4.16
	DIESEL FUEL FILTER ELEMENT (2002-07)	98-9764	\$29.06
	DIESEL FUEL FILTER ELEMENT (2008 & UP)	110-9049	\$16.20
	IN-LINE BIO-DIESEL FUEL FILTER KIT	112-7836	\$9.71
	BIO-DIESEL FUEL FILTER ELEMENT	110-9015	\$45.89
Groundsmaster 5900 5910	HYDRAULIC OIL FILTER ELEMENT AT PUMP	75-1310	\$43.44
	HYDRAULIC OIL FILTER ELEMENT AT MANIFOLD	94-2621	\$45.31
	OIL FILTER	93-2242	\$137.36
	400 Hour Filter Kit	30041**	\$223.57
	MVP Kit 1000 Hour (2019 & Up)	44958**	\$419.54
	ENGINE OIL FILTER	130-8860	\$22.42
	AIR FILTER ELEMENT INNER	115-8877	\$19.13
	AIR FILTER ELEMENT OUTER	115-8887	\$34.48
	DIESEL FUEL FILTER ELEMENT AT ENGINE	117-2792	\$31.34
	DIESEL FUEL FILTER ELEMENT AT SEPARATOR	115-5471	\$38.66
	HYDRAULIC OIL FILTER MAIN ELEMENT	86-6110	\$77.06
	HYDRAULIC OIL FILTER PTO ELEMENT	75-1310	\$43.44
	FUEL FILTER (2016 & UP)	125-8752	\$61.89
	ENGINE FILTER (2016 & UP)	125-7025	\$9.08
Groundsmaster 7200 7210	400 Hour Filter Kit (2007)	30037**	\$127.02
	400 Hour Filter Kit (2008-2014)	30052**	\$82.71
	MVP Filter Kit, Tier4 Final (2015 & Up)	30261**	\$140.13
	ENGINE OIL FILTER	108-3841	\$7.83
	AIR FILTER ELEMENT	108-3810	\$17.75
	IN-LINE PLASTIC DIESEL FUEL FILTER (2007)	98-7612	\$6.25
	IN-LINE METAL DIESEL FUEL FILTER (2007)	108-3828	\$4.16
	DIESEL FUEL FILTER ELEMENT (2007)	98-9764	\$29.06
	DIESEL FUEL FILTER ELEMENT (2008 & UP)	110-9049	\$16.20
	BIO-DIESEL FUEL FILTER ELEMENT	110-9015	\$45.89
	HYDRAULIC OIL FILTER ELEMENT - TRANS	108-5194	\$29.62
	FILTER - FUEL/WATER SEPARATOR	125-2915	\$29.16

QUICK REFERENCE GUIDE

FILTERS

Aerator

Equipment	Description	Part No.	Sale Price
ProCore 648	INLINE FUEL FILTER	115-7854	\$4.98
	HYDRAULIC OIL FILTER	107-9531	\$7.19
Hydroject 3000 4000	400 Hour Maintenance Kit	30008**	\$114.40
	ENGINE OIL FILTER BREATHER ELEMENT	57-8580	\$3.26
	ENGINE OIL FILTER	108-3817	\$5.44
	AIR FILTER ELEMENT	82-0660	\$16.89
	IN-LINE GAS FUEL FILTER	71-5960	\$8.49
	HYDRAULIC OIL FILTER ELEMENT (3000 ONLY)	67-8110	\$11.82
	WATER FILTER PRE-FILTER ASSEMBLY	86-9100	\$68.72
	WATER FILTER PRE-FILTER BOWL	86-9120	\$80.99
	WATER FILTER ELEMENT PRE-FILTER	86-9140	\$21.01
	WATER FILTER ELEMENT STANDARD	86-8630	\$21.25
	WATER FILTER ELEMENT - 25 MICRON	80-9590	\$20.80
	Hydroject 3010	ENGINE OIL FILTER	52 050 02-S
AIR FILTER ELEMENT - PRIMARY		25 083 01 S	Kohler
AIR FILTER ELEMENT - SAFETY		25 083 04 S	Kohler
IN-LINE GAS FUEL FILTER		24 050 09 S	Kohler
HYDRAULIC OIL FILTER ELEMENT		67-8110	\$11.82
WATER FILTER PRE-FILTER ASSEMBLY		86-9100	\$68.72
WATER FILTER PRE-FILTER BOWL		86-9120	\$80.99
WATER FILTER ELEMENT PRE-FILTER		86-9140	\$21.01
WATER FILTER ELEMENT STANDARD	86-8630	\$21.25	

Workman[®]

Equipment	Description	Part No.	Sale Price
Workman 1100 MD	400 Hour Filter Kit	30005**	\$30.36
	AIR FILTER ELEMENT	108-3811	\$15.98
	IN-LINE GAS FUEL FILTER	94-2690	\$3.49
	ENGINE OIL FILTER	107-7817	\$9.71
Workman 2100 2110	400 Hour Filter Kit	30004**	\$56.64
	ENGINE OIL FILTER (2000-07)	107-7817	\$9.71
	ENGINE OIL FILTER (2008 & UP)	842921	B&S
	AIR FILTER ELEMENT	108-3811	\$15.98
	IN-LINE GAS FUEL FILTER	94-2690	\$3.49
Workman MDX	400 Hour Filter Kit	30004**	\$56.64
	ENGINE OIL FILTER	107-7817	\$9.71
	AIR FILTER ELEMENT	108-3811	\$15.98
	IN-LINE GAS FUEL FILTER	94-2690	\$3.49
Workman 3100	ENGINE OIL FILTER	12 050 01-S	Kohler
	ENGINE OIL FILTER BREATHER ELEMENT	24 050 10	Kohler
	AIR FILTER ELEMENT - MAIN (1994-01)	47 083 03-S	Kohler
	AIR FILTER ELEMENT - MAIN (2002 & UP)	24 083 03-S	Kohler
	AIR FILTER ELEMENT - WRAPPER (1994-01)	24 083 02-S	Kohler
	AIR FILTER ELEMENT - WRAPPER (2002 & UP)	24 083 05-S	Kohler
	IN-LINE GAS FUEL FILTER (1993-99)	108-3831	\$7.29
	IN-LINE GAS FUEL FILTER (2000 & UP)	108-3854	\$3.49
	HYDRAULIC OIL FILTER ELEMENT (1994-03)	54-0110	\$10.28
Workman 3120	ENGINE OIL FILTER	12 050 01-S	Kohler
	ENGINE OIL FILTER BREATHER ELEMENT	24 050 10	Kohler
	AIR FILTER ELEMENT - MAIN	47 083 03-S	Kohler
	AIR FILTER ELEMENT - WRAPPER	24 083 02-S	Kohler
	IN-LINE GAS FUEL FILTER	108-3831	\$7.29
HYDRAULIC OIL FILTER ELEMENT	54-0110	\$10.28	
Workman 3200	400 Hour Maintenance Kit	30017**	\$74.05
	ENGINE OIL FILTER (1993-94)	42-9030	\$7.20
	ENGINE OIL FILTER (1995-01)	108-3841	\$7.83
	ENGINE OIL FILTER (2002 & UP)	108-3842	\$6.58
	AIR FILTER ELEMENT (1993-98)	108-3808	\$17.75
	AIR FILTER SAFETY ELEMENT (1999-01)	98-2982	\$17.03
	GAS FUEL FILTER (1993-99)	108-3831	\$7.29
	IN-LINE GAS FUEL FILTER (2000 & UP)	108-3854	\$3.49
	HYDRAULIC OIL FILTER ELEMENT (1993-03)	54-0110	\$10.28

QUICK REFERENCE GUIDE

FILTERS

Workman[®] - continued

Equipment	Description	Part No.	Sale Price	
Workman 3210 3220	ENGINE OIL FILTER	108-3841	\$7.83	
	AIR FILTER ELEMENT	108-3811	\$15.98	
	AIR FILTER SAFETY ELEMENT	98-2982	\$17.03	
	IN-LINE GAS FUEL FILTER	108-3831	\$7.29	
Workman 3300D 4300D	HYDRAULIC OIL FILTER ELEMENT	54-0110	\$10.28	
	400 Hour Maintenance Kit (2002 & Up)	30006**	\$76.55	
	ENGINE OIL FILTER (1993-01)	108-3841	\$7.83	
	ENGINE OIL FILTER (2002 & UP)	108-3842	\$6.58	
	AIR FILTER ELEMENT (1993-98)	108-3808	\$17.75	
	AIR FILTER ELEMENT (1999 & UP)	108-3811	\$15.98	
	AIR FILTER SAFETY ELEMENT (1999 & UP)	98-2982	\$17.03	
	GAS FUEL FILTER ELEMENT SEPARATOR	63-8300	\$21.42	
	GAS ELECTRIC FUEL PUMP FILTER (EFP)	43-2550	\$15.81	
	HYDRAULIC OIL FILTER ELEMENT (1993-03)	54-0110	\$10.28	
Workman 3310D 3220D	ENGINE OIL FILTER	108-3841	\$7.83	
	AIR FILTER ELEMENT	108-3811	\$15.98	
	AIR FILTER SAFETY ELEMENT	98-2982	\$17.03	
	DIESEL FUEL FILTER ELEMENT SEPARATOR	63-8300	\$21.42	
Workman 3420	DIESEL ELECTRIC FUEL PUMP FILTER (EFP)	43-2550	\$15.81	
	HYDRAULIC OIL FILTER ELEMENT	54-0110	\$10.28	
	ENGINE OIL FILTER	108-3841	\$7.83	
	AIR FILTER ELEMENT	108-3811	\$15.98	
Workman 4200	IN-LINE GAS FUEL FILTER	108-3831	\$7.29	
	HYDRAULIC OIL FILTER ELEMENT	54-0110	\$10.28	
	400 Hour Maintenance Kit (2002-07)	30017**	\$74.05	
	ENGINE OIL FILTER (1995-01)	108-3841	\$7.83	
	ENGINE OIL FILTER (2002 & UP)	108-3842	\$6.58	
	AIR FILTER ELEMENT (1993-98)	108-3808	\$17.75	
	AIR FILTER ELEMENT (1999 & UP)	108-3811	\$15.98	
	AIR FILTER SAFETY ELEMENT (1999 & UP)	98-2982	\$17.03	
	IN-LINE GAS FUEL FILTER (1993-99)	108-3831	\$7.29	
	IN-LINE GAS FUEL FILTER (200 & UP)	108-3854	\$3.49	
Workman HD	HYDRAULIC OIL FILTER ELEMENT (1995-03)	54-0110	\$10.28	
	ENGINE OIL FILTER	108-3847	\$5.53	
	ENGINE OIL FILTER	12 050 01-S	Kohler	
	AIR FILTER PRE-CLEANER	24 083 05-S	Kohler	
	AIR FILTER ELEMENT	24 083 03-S	Kohler	
	IN-LINE GAS FUEL FILTER	108-3854	\$3.49	
	IN-LINE GAS FUEL FILTER	115-7854	\$4.98	
	HYDRAULIC OIL FILTER ELEMENT	54-0110	\$10.28	
	ENGINE OIL FILTER	108-3847	\$5.53	
	Workman HDX	400 Hour Maintenance Kit (2012 & Older)	30073**	\$98.90
ENGINE OIL FILTER (2012 & OLDER)		108-3842	\$6.58	
ENGINE OIL FILTER (2013 & UP)		115-8189	\$9.71	
AIR FILTER ELEMENT (2012 & OLDER)		108-3811	\$15.98	
AIR FILTER ELEMENT (2013 & UP)		108-3810	\$17.75	
IN-LINE GAS FUEL FILTER		115-7854	\$4.98	
GAS FUEL FILTER		115-7818	\$32.17	
HYDRAULIC OIL FILTER		54-0110	\$10.28	
Workman HDX-D		400 Hour Maintenance Kit (2012 & Older)	30068**	\$74.27
		ENGINE OIL FILTER	108-3842	\$6.58
	AIR FILTER ELEMENT	108-3811	\$15.98	
	DIESEL FUEL FILTER ELEMENT - SEPARATOR	110-9049	\$16.20	
	HYDRAULIC OIL FILTER ELEMENT	54-0110	\$10.28	
Workman HDX-Auto	400 Hour Maintenance Kit	131-8276**	\$122.89	
	ENGINE OIL FILTER	108-3847	\$5.53	
	FUEL FILTER ELEMENT	115-7818	\$32.17	
	IN-LINE FUEL FILTER	115-7854	\$4.98	
	AIR FILTER ELEMENT	108-3811	\$15.98	
Workman GTX	400 Hour Maintenance Kit	136-6280**	\$68.08	
	AIR FILTER	108-3811	\$15.98	
	SPARK PLUG	130-8380	\$3.04	
	FUEL FILTER	56-6360	\$4.70	

QUICK REFERENCE GUIDE

FILTERS

Multi Pro®

Equipment	Description	Part No.	Sale Price
Multi Pro 1100	ENGINE OIL FILTER	12 050 01	Kohler
	AIR FILTER	47 083 03-S	Kohler
	GAS FUEL FILTER	24 050 02-S	Kohler
Multi Pro 1200/1250/1750	1200/1250/1750 MVP Kit Filter/Screen Suction	131-3751**	\$1,004.23
	ENGINE OIL FILTER	108-3847	\$5.53
	AIR FILTER ELEMENT - MAIN	47 083 03-S	Kohler
	AIR FILTER ELEMENT - WRAPPER	24 083 02-S	Kohler
	IN-LINE GAS FUEL FILTER	24 050 02-S	Kohler
	HYDRAULIC OIL FILTER ELEMENT	54-0110	\$10.28
Multi Pro 5200	ENGINE OIL FILTER		<i>Contact Toro Distributor</i>
	AIR FILTER ELEMENT	106-4904	\$18.80
	IN-LINE GAS FUEL FILTER	108-3854	\$3.49
Multi Pro 5500	ENGINE OIL FILTER	108-3817	\$5.44
	AIR FILTER ELEMENT	106-4904	\$18.80
	AIR FILTER ELEMENT - CAB	92-3814	\$191.30
	IN-LINE GAS FUEL FILTER	108-3854	\$3.49
	IN-LINE HYDRAULIC OIL FILTER	86-3010	\$11.43
Multi Pro 5600	ENGINE OIL FILTER	108-3817	\$5.44
	AIR FILTER ELEMENT	106-4904	\$18.80
	IN-LINE GAS FUEL FILTER	108-3854	\$3.49
	IN-LINE HYDRAULIC OIL FILTER	86-3010	\$11.43
	ENGINE OIL FILTER	108-3841	\$7.83
Multi Pro 5700D	AIR FILTER ELEMENT	108-3810	\$17.75
	IN-LINE PLASTIC DIESEL FUEL FILTER	98-7612	\$6.25
	IN-LINE METAL DIESEL FUEL FILTER	108-3828	\$4.16
	DIESEL FUEL FILTER ELEMENT (2004-07)	98-9764	\$29.06
	DIESEL FUEL FILTER ELEMENT (2008 & UP)	110-9049	\$16.20
	IN-LINE BIO-DIESEL FUEL FILTER KIT	112-7836	\$9.71
	BIO-DIESEL ELEMENT KIT	110-9015	\$45.89
	IN-LINE HYDRAULIC OIL FILTER	86-3010	\$11.43
	ENGINE OIL FILTER	108-3841	\$7.83
	AIR FILTER ELEMENT	108-3810	\$17.75
Multi Pro 5800	DIESEL FUEL FILTER ELEMENT	110-9049	\$16.20
	SEPARATOR FILTER ASSEMBLY	110-9044	\$64.18
	50 BLUE SUCTION HYDRAULIC OIL FILTER	100-8642	\$47.78
	HYDRAULIC OIL FILTER ELEMENT AT PUMP	75-1310	\$43.44
	GASOLINE FUEL FILTER ELEMENT	125-2902	\$17.45
	OIL FILTER	93-2242	\$137.36

Specialty Turf Equipment

Equipment	Description	Part No.	Sale Price
Sand Pro	AIR FILTER ELEMENT	108-3808	\$17.75
	IN-LINE GAS FUEL FILTER	108-3831	\$7.29
	HYDRAULIC OIL FILTER ELEMENT	23-9740	\$9.78
Sand Pro 2000 3000	AIR FILTER ELEMENT - MAIN	45 083 02	Kohler
	AIR FILTER ELEMENT - WRAPPER	45 083 01	Kohler
	AIR FILTER ELEMENT - REMOTE	108-3808	\$17.75
	IN-LINE GAS FUEL FILTER	108-3831	\$7.29
	HYDRAULIC OIL FILTER ELEMENT	23-9740	\$9.78
Sand Pro 2020 3020 5020	ENGINE OIL FILTER	107-7817	\$9.71
	AIR FILTER ELEMENT - MAIN	92-0527	\$10.50
	AIR FILTER ELEMENT - WRAPPER	272490S	B&S
	AIR FILTER ELEMENT - REMOTE	108-3811	\$15.98
	IN-LINE GAS FUEL FILTER	94-2690	\$3.49
HYDRAULIC OIL FILTER ELEMENT	23-9740	\$9.78	

QUICK REFERENCE GUIDE

FILTERS

Specialty Turf Equipment - continued

Equipment	Description	Part No.	Sale Price
Sand Pro 5000	ENGINE OIL FILTER	107-7817	\$9.71
	AIR FILTER ELEMENT - MAIN	92-0527	\$10.50
	AIR FILTER ELEMENT - WRAPPER	272490S	B&S
	AIR FILTER ELEMENT - REMOTE (1992-94)	108-3808	\$17.75
	AIR FILTER ELEMENT - REMOTE (1995 & UP)	108-3811	\$15.98
	IN-LINE GAS FUEL FILTER	94-2690	\$3.49
	HYDRAULIC OIL FILTER ELEMENT	23-9740	\$9.78
Sand/Infield Pro 3040 5040	400 Hour Maintenance Kit	30035**	\$132.91
	MVP Kit 1000 Hour (2019 & Up)	44957**	\$193.55
	ENGINE OIL FILTER	107-7817	\$9.71
	AIR FILTER ELEMENT - REMOTE	108-3811	\$15.98
	IN-LINE GAS FUEL FILTER	94-2690	\$3.49
HYDRAULIC OIL FILTER ELEMENT	54-0110	\$10.28	
SandPro 2040Z	400 Hour Filter Maintenance Kit	08725**	\$384.63
	FILTER ELEMENT	114-3494	\$8.99
	INNER FILTER KIT	127-0381	\$69.28
	OIL FILTER	119-5852	\$12.29
	AIR FILTER	108-3811	\$15.98
	IN-LINE FUEL FILTER	115-7854	\$4.98
	50 NOZZLE WATER FILTER	99-0853	\$5.02
Trailer Sprayer 50T 80T	30 GREEN SUCTION WATER FILTER	100-6991	\$46.96
	50 BLUE SUCTION WATER FILTER	100-8642	\$47.78
	80 RED SUCTION WATER FILTER	100-6992	\$47.66
	PRESSURE WATER FILTER	100-6756	\$13.57
	ENGINE OIL FILTER	12-050-01	Kohler
Rake-O-Vac 66"	ENGINE OIL FILTER BREATHER ELEMENT	24 050 01	Kohler
	AIR FILTER ELEMENT - MAIN	47 083 03	Kohler
	AIR FILTER ELEMENT - REMOTE	108-3808	\$17.75
	IN-LINE GAS FUEL FILTER	25 050 03	Kohler
	ENGINE OIL FILTER	108-3847	\$5.53
	ENGINE OIL FILTER (2001 & UP)	52 050 02-S	Kohler
	AIR FILTER ELEMENT - MAIN (2001 & UP)	47 083 03	Kohler
AIR FILTER ELEMENT - WRAPPER (2001 & UP)	24 083 02-S	Kohler	
IN-LINE GAS FUEL FILTER	108-3854	\$3.49	
HYDRAULIC OIL FILTER ELEMENT (1992-95)	01-317-0240	\$7.40	
HYDRAULIC OIL FILTER ELEMENT (1997 & UP)	23-9740	\$9.78	
Top Dresser	DIESEL FUEL FILTER ELEMENT (2500)	86-3010	\$11.43
ProForce Debris Blower 800	ENGINE OIL FILTER	108-3847	\$5.53
	AIR FILTER ELEMENT - MAIN	24 083 03	Kohler
	AIR FILTER ELEMENT - WRAPPER	24 083 05	Kohler
	IN-LINE GAS FUEL FILTER	108-3854	\$3.49
Line Painter 1200	400 Hour Filter Maintenance Kit	30036**	\$38.70
	ENGINE OIL FILTER	108-3842	\$6.58
	AIR FILTER ELEMENT - MAIN	108-2604	\$6.65
	AIR FILTER ELEMENT - FOAM	108-2603	\$1.19
ProCore Core Processor	ENGINE OIL FILTER	842921	B&S
	AIR FILTER ELEMENT	108-3810	\$17.75
	GAS FUEL FILTER	695666	B&S
	ENGINE OIL FILTER	107-7817	\$9.71

Blades Reference Chart - Groundsmaster®										
GM Unit	Cutting Deck	Deck Model	Blade Length	Combo	Angle Sail	Medium Flow	High Flow	Atomic® Mulching	Flat	Standard
1200	54" RD (137 cm) 3x decks		19" (48.3 cm)			137-3659-03	137-3671-03	139-7799-03		137-3671-03
			Service Pack			138-9029	138-9028	140-0028		138-9029
3200 / 3300	60" SD	31970	20.5 (52 cm)			110-4701	110-4702	110-4703		110-4702
	60" RD	31971	20.5 (52 cm)			110-4701	110-4702	110-4703		110-4701
	72" RD	31972	24.5 (62 cm)			110-0621-03	110-0622	110-0624		110-0622
	72" SD	31973	24.5 (62 cm)			110-0621-03	110-0622	110-0624		110-0621-03
3280-D	52" SD (132 cm)	30555	18" (46 cm)				44-5480	104-1301		27-0990-03
			Service Pack					108-1477		
	60" SD (152 cm)	30366	20.5" (52 cm)				110-4702-03	110-4703-03		110-4701
	62" RD & Guardian (157 cm)	30403	21.75" (55 cm)					107-0214-03		92-5608-03
	72" SD (183 cm)	31336	24.5" (62 cm)			110-0621-03	110-0622-03	110-0624-03		
72" RD & Guardian (183 cm)	31335 30303	25.18" (64 cm)							121-5347-03	
360	60" SD (152 cm)	30456	20.5" (52 cm)			110-4701	110-4702-03	110-4703-03		110-4701
	62" Guardian (157 cm)	30457	21.75" (55.2 cm)					107-0214-03	110-6115-03	92-5608-03
	72" SD (183 cm)	30481	24.5" (62 cm)			110-0621-03	110-0622-03	110-0624-03		110-0621-03
	72" RD & Guardian (183 cm)	30353	25.18" (64 cm)	125-9444-03					112-9586-03	121-5347-03
	100" RD (254 cm)	31101	19" (48.3 cm)			106-7166-03		132-1319		
Service Pack							132-1325			
			25.18" (64 cm)	125-9444-03						

For more information, contact your local Toro distributor at 800-803-8676

5/1/2018



HIGH SAIL/FLOW

- Provides best quality of cut in most grass conditions.
- Provides better air flow.



ATOMIC BLADE

- Provides the best quality of cut while mulching.
- Preferred blade for mulching applications.



MEDIUM SAIL/FLOW

- Provides better quality of cut.
- Better overall performance in most conditions.



FLAT BLADE

- Low noise level.
- Lower power consumption.
- Reduced discharge velocity of clippings.

Blades Reference Chart - Groundsmaster®										
GM Unit	Cutting Deck	Deck Model	Blade Length	Combo	Angle Sail	Medium Flow	High Flow	Atomic® Mulching	Flat	Standard
3500-D 3500-G 3505-D	27" RD (69 cm)	30834	27" (68.6 cm)	108-9026-03	105-9810-03		104-5183	107-0235-03		
			Service Pack				108-1462			
4000-D 4010-D	Center & Wing Decks		21.75" (55.2 cm)			136-4370-03		107-0214-03	110-6115-03	92-5608-03
			Service Pack			137-5500	108-1450	110-6130	117-2722	
4100-D 4110-D	Center & Wing Decks		19" (48.3 cm)	106-7166-03				107-0215-03	110-6116-03	
			Service Pack	130-2660			108-1451	110-6140		
4300-D	22" RD (55.9 cm)	30845	22" (55.9 cm)	108-7395-03	117-0209-03		114-0434-03	114-0435-03		
			Service Pack	119-6957						
4500-D	27" RD (69 cm)	30834	27" (69 cm)	108-9026-03	105-9810-03		104-5183	107-0235-03		
			Service Pack				108-1463			
4700-D	27" RD (69 cm)	30834	27" (69 cm)	108-9026-03	105-9810-03		104-5183	107-0235-03		
			Service Pack				108-1464			
T3 5900 T3 5910	3 RD Decks		20" (50.8 cm)	110-5946-03				110-5948-03		
			Service Pack	115-8896			114-0897			
T4 5900 T4 5910	3 RD Decks		20" (50.8 cm)					132-1390-03		130-9151-03
			Service Pack				132-1391		132-1392	
7200 / 7210	60" SD (152 cm)	30456	20.5" (52 cm)			110-4701	110-4702-03	110-4703-03		110-4701
	62" RD & Guardian (157 cm)	60457	21.75" (55.2 cm)					107-0214-03	110-6115-03	92-5608-03
	72" SD (183 cm)	30481	24.5" (62 cm)			110-0621-03	110-0622-03	110-0624-03		110-0621-03
	72" RD & Guardian (183 cm)	30353	25.18" (64 cm)	125-9444-03					112-9586-03	121-5347-03
	100" RD (254 cm)	31101	19" (48.3 cm)			106-7166-03		132-1319		
Service Pack							132-1325			
			25.18" (64 cm)	125-9444-03						

For more information, contact your local Toro distributor at 800-803-8676

5/1/2018

QUICK REFERENCE GUIDE BLADES

Groundsmaster®

Equipment	Description	Application	Part No.	Sale Price	
Groundsmaster Series Decks 52 62 200	STANDARD BLADE	52"/132.1 cm SD & RD Deck (18"/45.7 cm Blade)	27-0990-03	\$9.72	
	HIGH SAIL BLADE	52"/132.1 cm SD & RD Deck (18"/45.7 cm Blade)	44-5480	\$10.51	
	ATOMIC BLADE	52"/132.1 cm SD & RD Deck (18"/45.7 cm Blade)	104-1301	\$13.99	
	ATOMIC BLADE SERVICE PACK	52"/132.1 cm SD & RD Deck (6 #104-1301 Blades)	108-1477	\$79.74	
	STANDARD BLADE	62"/157.5 cm Guardian (21.75"/55.2 cm Blade)	92-5608-03	\$19.43	
	STANDARD BLADE	62"/157.5 cm SD & RD Deck (21.75"/55.2 cm Blade)	44-6250-03	\$11.35	
	HIGH SAIL BLADE	62"/157.5 cm SD & RD Deck (21.75"/55.2 cm Blade)	77-6710-03	\$15.76	
	ATOMIC BLADE	62"/157.5 cm SD & RD Deck (21.75"/55.2 cm Blade)	104-1303	\$15.16	
	ATOMIC BLADE SERVICE PACK	62"/157.5 cm SD & RD Deck (6 #104-1303 Blades)	106-0631	\$83.49	
	STANDARD BLADE	72"/182.9 cm SD & RD Deck (24.75"/62.9 cm Blade)	94-1861-03	\$22.60	
	HIGH SAIL BLADE	72"/182.9 cm SD & RD Deck (24.75"/62.9 cm Blade)	104-4569-03	\$19.03	
	ATOMIC BLADE	72"/182.9 cm SD & RD Deck (24.75"/62.9 cm Blade)	104-1304	\$18.11	
	ATOMIC BLADE SERVICE PACK	72"/182.9 cm SD & RD Deck (6 #104-1304 Blades)	108-1478	\$103.23	
	Groundsmaster Series Decks 72 300	STANDARD BLADE	72"/182.9 cm Guardian (25"/63.5 cm Blade)	85-6040-03	\$19.58
		STANDARD BLADE	72"/182.9 cm SD & RD Deck (25"/63.5 cm Blade)	29-5530-03	\$20.11
		HIGH SAIL BLADE	72"/182.9 cm SD & RD Deck (25"/63.5 cm Blade)	23-2410-03	\$24.98
ATOMIC BLADE		72"/182.9 cm SD & RD Deck (25"/63.5 cm Blade)	106-4353-03	\$27.16	
ATOMIC BLADE SERVICE PACK		72"/182.9 cm SD & RD Deck (6 #106-4354 Blades)	108-1454	\$154.81	
STANDARD BLADE		88"/223.5 cm Triflex Deck (19"/48.3 cm Blade)	63-0080-03	\$19.58	
Groundsmaster 455D	STANDARD BLADE	126"/320.0 cm Quadfloat Deck (19"/48.3 cm Blade)	86-0010-03	\$16.86	
	ATOMIC BLADE	126"/320.0 cm Quadfloat Deck (19"/48.3 cm Blade)	107-0216-03	\$23.92	
	ATOMIC BLADE SERVICE PACK	126"/320.0 cm Quadfloat Deck (7 #107-0216-03 Blades)	108-1452	\$159.07	
Groundsmaster 580D	STANDARD BLADE	Center & Wing Decks (20"/50.8 cm Blade)	69-6920-03	\$17.12	
	ATOMIC BLADE SERVICE PACK	Center & Wing Decks (11 #107-0217-03 Blades)	107-0217-03	\$23.92	
Groundmaster 1200	STANDARD BLADE	19"/48.3 cm	138-9029	\$189.90	
	MEDIUM SAIL BLADE	19"/48.3 cm	137-3659-03	\$22.21	
	HIGH SAIL BLADE	19"/48.3 cm	138-9028	\$207.77	
	HIGH SAIL BLADE	19"/48.3 cm	137-3671-03	\$24.30	
	ATOMIC BLADE	19"/48.3 cm	139-7799-03	\$21.73	
	ATOMIC BLADE SERVICE PACK	19"/48.3 cm	140-0028	\$185.79	
Groundsmaster 3000	STANDARD BLADE	72"/182.9 cm Guardian (25"/63.5 cm Blade)	85-6040-03	\$19.58	
	STANDARD BLADE	72"/182.9 cm RD Deck (25"/63.5 cm Blade)	93-4982	\$19.03	
	STANDARD BLADE	82"/208.3 cm Contour Deck (22"/55.9 cm Blade)	93-8409	\$20.63	
Groundsmaster 3280D 3320	STANDARD BLADE	52"/132.1 cm SD & RD Deck (18"/45.7 cm Blade)	27-0990-03	\$9.72	
	HIGH SAIL BLADE	52"/132.1 cm SD & RD Deck (18"/45.7 cm Blade)	44-5480	\$10.51	
	ATOMIC BLADE	52"/132.1 cm SD & RD Deck (18"/45.7 cm Blade)	104-1301	\$13.99	
	ATOMIC BLADE SERVICE PACK	52"/132.1 cm SD & RD Deck (6 #104-1301 Blades)	108-1477	\$79.74	
	MEDIUM SAIL BLADE	60"/152.4 cm SD Deck (20.5"/52 cm Blade)	110-4701	\$19.90	
	HIGH SAIL BLADE	60"/152.4 cm SD Deck (20.5"/52 cm Blade)	110-4702-03	\$20.63	
	ATOMIC BLADE	60"/152.4 cm SD Deck (20.5"/52 cm Blade)	110-4703-03	\$20.63	
	STANDARD BLADE	62"/157.5 cm RD & Guardian Deck (25"/55.2 cm Blade)	92-5608-03	\$19.43	
	ATOMIC BLADE	62"/157.5 cm RD (21.75"/55.2 cm Blade)	107-0214-03	\$23.90	
	STANDARD BLADE	72"/182.9 cm RD & Guardian Deck (24.5"/62.2 cm Blade)	121-5347-03	\$21.75	
	MEDIUM SAIL BLADE	72"/182.9 cm SD Deck (24.5"/62.2 cm Blade)	110-0621-03	\$22.81	
	HIGH SAIL BLADE	72"/182.9 cm SD Deck (24.5"/62.2 cm Blade)	110-0622-03	\$22.81	
	ATOMIC BLADE	72"/182.9 cm RD & SD Deck (24.5"/62.2 cm Blade)	110-0624-03	\$22.29	
	Groundsmaster 3500D 3505D	STANDARD BLADE	27"/68.6 cm Deck (27"/68.6 cm Blade) (2000-05)	105-9810-03	\$22.29
		HIGH SAIL BLADE	27"/68.6 cm Deck (27"/68.6 cm Blade) (2000-05)	104-5183	\$24.98
		COMBINATION BLADE	27"/68.6 cm Deck (27"/68.6 cm Blade) (2006 & Up)	108-9026-03	\$20.11
ATOMIC BLADE		27"/68.6 cm Deck (27"/68.6 cm Blade) (2006 & Up)	107-0235-03	\$21.73	
ATOMIC BLADE SERVICE PACK		27"/68.6 cm Deck (6 #107-0235-03 Blades)	108-1462	\$123.86	
Groundsmaster 360	ATOMIC BLADE	72"/182.9 cm SD & Guardian Deck (24.5"/62.2 cm Blade)	110-0624-03	\$22.29	
	MEDIUM SAIL BLADE	72"/182.9 cm SD & Guardian Deck (24.5"/62.2 cm Blade)	110-0622-03	\$22.81	
	HIGH SAIL BLADE	100"/254 cm Deck (19"/48.3 cm Blade)	132-1319	\$21.75	

HIGH SAIL

- Provides best quality of cut in most grass conditions.
- Preferred blade for bagging applications.

MEDIUM SAIL

- Provides better quality of cut.
- Better overall performance in most conditions.

LOW SAIL

- Low noise level.
- Lower power consumption.
- Reduced discharge velocity of clippings.

ATOMIC

- Aggressive teeth design shreds grass leaving fine mulch.

QUICK REFERENCE GUIDE BLADES

Groundsmaster® - continued

Equipment	Description	Application	Part No.	Sale Price	
Groundsmaster 4000D	STANDARD BLADE	132"/335.3 cm Deck (21.75"/55.2 cm Blade)	92-5608-03	\$19.43	
	STD. BLADE SERVICE PACK	132"/335.3 cm Deck (7 #92-5608-03 Blades)	117-2722	\$129.21	
	FLAT SAIL BLADE	132"/335.3 cm Deck (21.75"/55.2 cm Blade)	110-6115-03	\$21.21	
	FLAT SAIL BLADE SERVICE PACK	132"/335.3 cm Deck (7 #110-6115-03 Blades)	110-6130	\$141.05	
	MEDIUM SAIL BLADE	32"/335.3 cm Deck (21.75"/55.2 cm Blade)	136-4370-03	\$21.21	
	MEDIUM SAIL SERVICE PACK	132"/335.3 cm (7 #136-4370-03 Blades)	137-5500	\$141.05	
	ATOMIC BLADE	132"/335.3 cm Deck (21.75"/55.2 cm Blade)	107-0214-03	\$23.90	
	ATOMIC BLADE SERVICE PACK	132"/335.3 cm Deck (7 #107-1214-03 Blades)	108-1450	\$158.94	
	Groundsmaster 4100D	STANDARD BLADE	124"/315.0 cm Deck (19"/48.3 cm Blade)	106-7166-03	\$20.11
		FLAT SAIL BLADE	124"/315.0 cm Deck (19"/48.3 cm Blade)	110-6116-03	\$22.84
FLAT SAIL BLADE SERVICE PACK		124"/315.0 cm Deck (7 #110-6116-03 Blades)	110-6140	\$151.89	
ATOMIC BLADE		124"/315.0 cm Deck (19"/48.3 cm Blade)	107-0215-03	\$20.11	
ATOMIC BLADE SERVICE PACK		124"/315.0 cm Deck (7 #107-1215-03 Blades)	108-1451	\$133.73	
Groundsmaster 4300D	COMBINATION BLADE	Contour Plus 22" Deck (22"/55.9 cm Blade)	108-7395-03	\$19.03	
	COMBO BLADE SERVICE PACK	5 of 108-7395-03	119-6957	\$90.39	
	HIGH SAIL BLADE	Contour Plus 22" Deck (22"/55.9 cm Blade)	114-0434-03	\$24.98	
	ATOMIC BLADE	Contour Plus 22" Deck (22"/55.9 cm Blade)	114-0435-03	\$24.98	
	ANGLE SAIL BLADE	Contour Plus 22" Deck (22"/55.9 cm Blade)	117-0209-03	\$23.90	
Groundsmaster 4500D	STANDARD BLADE	27"/68.6 cm Deck (27"/68.6 cm Blade) (2002-05)	105-9810-03	\$22.29	
	HIGH SAIL BLADE	27"/68.6 cm Deck (27"/68.6 cm Blade) (2002-05)	104-5183	\$24.98	
	COMBINATION BLADE	27"/68.6 cm Deck (27"/68.6 cm Blade) (2006 & Up)	108-9026-03	\$20.11	
	ATOMIC BLADE	27"/68.6 cm Deck (27"/68.6 cm Blade) (2006 & Up)	107-0235-03	\$21.73	
	ATOMIC BLADE SERVICE PACK	27"/68.6 cm Deck (5 #107-0235-03 Blades)	108-1463	\$103.22	
Groundsmaster 4700D	STANDARD BLADE	27"/68.6 cm Deck (27"/68.6 cm Blade) (2002-05)	105-9810-03	\$22.29	
	HIGH SAIL BLADE	27"/68.6 cm Deck (27"/68.6 cm Blade) (2002-05)	104-5183	\$24.98	
	COMBINATION BLADE	27"/68.6 cm Deck (27"/68.6 cm Blade) (2006 & Up)	108-9026-03	\$20.11	
	ATOMIC BLADE	27"/68.6 cm Deck (27"/68.6 cm Blade) (2006 & Up)	107-0235-03	\$21.73	
	ATOMIC BLADE SERVICE PACK	27"/68.6 cm Deck (7 #107-0235-03 Blades)	108-1464	\$144.50	
Groundsmaster 5900 5910	STANDARD BLADE	Center & Wing Decks (20"/50.8 cm Blade) Tier3	110-5946-03	\$24.98	
	STD. BLADE SERVICE PACK	Center & Wing Decks (11 #110-5946-03 Blades) Tier3	115-8896	\$261.04	
	ATOMIC BLADE	Center & Wing Decks (20"/50.8 cm Blade) Tier3	110-5948-03	\$22.81	
	ATOMIC BLADE SERVICE PACK	Center & Wing Decks (11 #110-5948-03 Blades) Tier3	114-0897	\$238.36	
	STANDARD BLADE	Center & Wing Decks (20"/50.8 cm Blade) Tier4	130-9151-03	\$24.98	
	ATOMIC BLADE	Center & Wing Decks (20"/50.8 cm Blade) Tier4	132-1390-03	\$28.25	
	ATOMIC BLADE SERVICE PACK	Center & Wing Decks (11 #132-1390-03) Tier4	132-1391	\$295.21	
	STANDARD BLADE SERVICE PACK	Center & Wing Decks (11 #130-9151-03 Blades) Tier4	132-1392	\$261.04	
Groundsmaster 7200 7210	STANDARD BLADE	62"/157.5 cm Guardian (21.75"/55.2 cm Blade)	92-5608-03	\$19.43	
	STANDARD BLADE	72"/182.9 cm Guardian (24.5"/62.2 cm Blade)	121-5347-03	\$21.75	
	MEDIUM SAIL BLADE	72"/182.9 cm SD Deck (24.5"/62.2 cm Blade)	110-0621-03	\$22.81	
	HIGH SAIL BLADE	72"/182.9 cm SD Deck (24.5"/62.2 cm Blade)	110-0622-03	\$22.81	
	ATOMIC BLADE	72"/182.9 cm SD Deck (24.5"/62.2 cm Blade)	110-0624-03	\$22.29	
	FLAT SAIL BLADE	72"/182.9 cm Guardian (24.5"/62.2 cm Blade)	112-9586-03	\$23.90	
HIGH SAIL BLADE	100"/254 cm Deck (19"/48.3 cm Blade)	132-1319	\$21.75		

Bedknives Reference Chart - Fairway								
Reelmaster Unit	Description	HOC Range	# of Holes	Lip Height**	Standard	EdgeMax™	Top Angle	Front Angle
3550 EdgeSeries™ Cutting Units DPA Cutting Units	18" (457 mm) Low Cut	1/4" - 1/2" (6.4 mm - 12.7 mm)	6	.220" (5.59 mm)	121-3167	137-0830 Insert	10°	5°
	18" (457 mm) Fairway Cut	3/8" and up (9.5 mm and up)	6	.270" (6.90 mm)	121-3166	137-0831 Insert	10°	5°
	22" (559 mm) Low Cut	1/4" - 1/2" (6.4 mm - 12.7 mm)	8	.220" (5.59 mm)	110-4084	137-0832 Insert	10°	5°
	22" (559 mm) Fairway Cut	3/8" and up (9.5 mm and up)	8	.270" (6.90 mm)	108-9096	137-0833 Insert	10°	5°
3555 / 3575 5010-H 5210 5410 5510 5610 6500 6700 EdgeSeries Cutting Units DPA Cutting Units	22" (559 mm) Low Cut	1/4" - 1/2" (6.4 mm - 12.7 mm)	8	.220" (5.59 mm)	110-4084	137-0832 Insert	10°	5°
	22" (559 mm) Low Cut Extended	1/4" - 1/2" (6.4 mm - 12.7 mm)	8	.220" (5.59 mm)	120-1640	119-4280 Solid	10°	10°
	22" (559 mm) Fairway Cut	3/8" and up (9.5 mm and up)	8	.270" (6.90 mm)	108-9096	137-0833 Insert	10°	5°
	22" (559 mm) Fairway Cut - Heavy Duty	1/2" and up (12.7 mm and up)	8	.370" (9.4 mm)	110-4074		10°	5°
3100 7000 EdgeSeries Cutting Units DPA Cutting Units	27" (686 mm) Fairway Cut	3/8" and up (9.5 mm and up)	10	.270" (6.90 mm)	114-9388	112-8910 Insert	10°	5°
	27" (686 mm) Low Cut Extended	1/4" - 1/2" (6.4 mm - 12.7 mm)	10	.220" (5.59 mm)	120-1641		10°	10°
	27" (686 mm) Fairway Cut - Heavy Duty	1/2" and up (12.7 mm and up)	10	.370" (9.4 mm)	114-9390		10°	5°
	32" (813 mm) Fairway Cut	3/8" and up (9.5 mm and up)	12	.270" (6.90 mm)	114-9389		10°	5°
	32" (813 mm) Low Cut Extended	1/4" - 1/2" (6.4 mm - 12.7 mm)	12	.220" (5.59 mm)	120-1642		10°	10°
	32" (813 mm) Fairway Cut - Heavy Duty	1/2" and up (12.7 mm and up)	12	.370" (9.4 mm)	114-9391		10°	5°
5 7 11 TDM (Turf Driven Mower) SPA Cutting Units	31" (787 mm) 11 Blade Reel	3/8" and up (9.5 mm and up)	11	.280" (7.11 mm)	47-6680		10	30
	31" (787 mm) 5 & 7 Blade Reel	1/2" and up (12.7 mm and up)	11	.380" (9.65 mm)	49-7660		10	30
5200 5300 5400 4-Bolt Cutting Units	21" (533 mm) Fairway Cut	3/8" and up (9.5 mm and up)	7	.270" (6.90 mm)	63-8610	137-0879 Insert	10°	10° & 5°
	21" (533 mm) Fairway Cut - Heavy Duty	1/2" and up (12.7 mm and up)	7	.345" (8.76 mm)	100-3350		10°	10°

** Service limit (worn out condition) for all Fairway Bedknives is when the bedknife lip height is 0.190" (4.8 mm)

9/1/2019

For more information, contact your local Toro distributor at 800-803-8676

Bedknives Reference Chart - Greens							
Greensmaster Unit	Description	HOC Range	# of Holes	Standard	EdgeMax™	Minimum Top Angle	Front Angle
800 Integral Cutting Unit Flex 18 Flex & eFlex 1800 / 1820 GR 1018	18" (457 mm) Low Cut	3/16" - 1" (4.8 mm - 25.4 mm)	11	110-2301		3°	13° + 4° - 0°
	18" (457 mm) Micro Cut	1/16" - 3/16" (1.6 mm - 4.8 mm)	11	98-7261	117-1530 Solid	3°	13° + 4° - 0°
	18" (457 mm) Micro Cut Extended*	1/16" - 3/16" (1.6 mm - 4.8 mm)	11	110-2300		7°	13° + 4° - 0°
	18" (457 mm) Micro Cut Short**	1/16" - 1" (1.6 mm - 25.4 mm)	11		139-4318 Solid	3°	13° + 4° - 0°
	18" (457 mm) Tournament Cut	1/8" - 1/2" (3.2 mm - 12.7 mm)	11	98-7260	117-1532 Solid	3°	13° + 4° - 0°
	18" (457 mm) Tournament Short**	1/8" - 1" (3.2 mm - 25.4 mm)	11		139-4319 Solid	3°	13° + 4° - 0°
1000 / 1010 / 2000 Integral Cutting Unit Flex 21 Flex 21 & eFlex 2100 / 2120 GR 1021 3000 / 3100 / 3200 / 3300 / 3400	21" (533 mm) Low Cut	3/16" - 1" (4.8 mm - 25.4 mm)	13	93-4264		3°	13° + 4° - 0°
	21" (533 mm) Micro Cut	1/16" - 3/16" (1.6 mm - 4.8 mm)	13	93-4262	115-1880 Solid	3°	13° + 4° - 0°
	21" (533 mm) Micro Cut Extended*	1/16" - 3/16" (1.6 mm - 4.8 mm)	13	108-4303		7°	13° + 4° - 0°
	21" (533 mm) Micro Cut Short**	1/16" - 1" (1.6 mm - 25.4 mm)	13		139-4320 Solid		13° + 4° - 0°
	21" (533 mm) Tournament Cut	1/8" - 1/2" (3.2 mm - 12.7 mm)	13	93-4263	115-1881 Solid	3°	13° + 4° - 0°
	21" (533 mm) Tournament Cut Extended*	1/8" - 1/2" (3.2 mm - 12.7 mm)	13	108-4302		7°	13° + 4° - 0°
	21" (533 mm) Tournament Cut Short**	1/8" - 1" (3.2 mm - 25.4 mm)	13		139-4321 Solid		13° + 4° - 0°
	21" (533 mm) High Cut	5/16" - 1" (7.9 mm - 25.4 mm)	13	94-6392		3°	13° + 4° - 0°
21" (533 mm) Fairway Cut	3/8" - 1" (9.5 mm - 25.4 mm)	7	63-8610	137-0879 Insert	10°	13° + 4° - 0°	
1600 / 1610 / 2600 Integral Cutting Unit	26" (660 mm) Low Cut	3/16" - 1" (4.8 mm - 25.4 mm)	16	93-9015		3°	13° + 4° - 0°
	26" (660 mm) Micro Cut	1/16" - 3/16" (1.6 mm - 4.8 mm)	16	112-9275		3°	13° + 4° - 0°
	26" (660 mm) Micro Cut Short**	1/16" - 1" (1.6 mm - 25.4 mm)			139-4322 Solid	3°	13° + 4° - 0°
	26" (660 mm) Tournament Cut	1/8" - 1/2" (3.2 mm - 12.7 mm)	16	94-5885	117-1548 Solid	3°	13° + 4° - 0°
	26" (660 mm) Tournament Cut Short**	1/8" - 1" (3.2 mm - 25.4 mm)			139-4323 Solid	3°	13° + 4° - 0°
	26" (660 mm) High Cut	5/16" - 1" (7.9 mm - 25.4 mm)	16	104-2646		3°	13° + 4° - 0°
26" (660 mm) Fairway Cut	3/8" - 1" (9.5 mm - 25.4 mm)	16	107-8181		3°	13° + 4° - 0°	

* If you experience scalping with the aggressive bedbar, switch to the extended bedknives.

**For aggressive and / or higher height of cut applications.

9/1/2019

For more information, contact your local Toro distributor at 800-803-8676

Service Reel Reference Chart - Fairway											
Reelmaster Unit	Reel Length	Reel Diameter	Service Limit/Life	Cutting Unit Model	Reels+™			EdgeSeries (ES) Reels+™			
					5-Blade	7-Blade	8-Blade	11-Blade	5-Blade	8-Blade	11-Blade
3550	18" (457 mm)	5" (127 mm)	4.5" (114 mm)	03911**			131-3201* RR			137-8406 RR	
				03480**						137-8406 RR	
				03485ES							
				03912**			131-3202* RR			137-8407 FSR	
3550 - Rear Only 3555 5010-H 5410 Low-drag DPA Cutting Units (Aluminum Side Plates)	22" (559 mm)	5" (127 mm)	4.5" (114 mm)	03481**						137-8407 FSR	
				03486ES						137-8407 FSR (137-8409 RR Service Only)	
				03913**			131-3203* RR			137-8426 RR	
				03482**						137-8426 RR	
				03634							
				03487ES							
3575 5010-H 5510 / 5610 Low-drag DPA Cutting Units (Aluminum Side Plates)	22" (559 mm)	7" (178 mm)	6.6" (165 mm)	03621ES						137-8413 RR	
				03483**			131-3204* RR			137-8413 RR	
				03635						137-8447 FSR (137-8429 RR Service Only)	
				03488ES							
5210 5410 DPA Cutting Units (Red Side Plates)	22" (559 mm)	5" (127 mm)	4.5" (114 mm)	03641 ES				133-8205* RR Service Only	131-6805* RR	137-8446 FSR	
				03639 ES						137-8447 FSR (137-8455 RR Service Only)	
				03661			137-8416 RR			137-8422 RR	
5510 5610 6500 6700 DPA Cutting Units (Red Side Plates)	22" (559 mm)	7" (178 mm)	6.6" (168 mm)	03694	127-2070*					137-8422 RR	
				03695			137-8417 RR			137-8423 FSR	
				03681						137-8438 RR	
3100 7000 Low-drag DPA Cutting Units (Aluminum Side Plates)	27" (686 mm)	7" (178 mm)	6.6" (168 mm)	03863			137-8432 RR			137-8438 RR	
				03696							
				03698							
				03864						137-8437 RR Service Only	
				03682			137-8433 RR				137-8439 FSR
				03697							
3100 7000 DPA Cutting Units (Red Side Plates)	27" (686 mm)	7" (178 mm)	6.6" (168 mm)	03188 ES					133-0182* RR		
				03189 ES						137-8470 RR	
				03721 ES							133-8278* RR
				03190 ES							
3100 7000 DPA Cutting Units (Red Side Plates)	27" (686 mm)	7" (178 mm)	6.6" (168 mm)	03191 ES					137-8482 RR Service Only	133-0195* RR	
				03722 ES							
				03180	127-2093* RR						
				03710			127-2094* RR			133-8269* RR	
				03181							
				03183			127-2095* RR				133-8271* RR
5 7 11 TDM (Turf Driven Mower) SPA Units	30" (762 mm)	8" (203 mm)	7.6" (193 mm)	01005	130-0075* RR						
				01007			130-0071* RR				
				01011						130-0081* RR	
5200 5300 5400 4 Bolt Units	21" (533 mm)	5" (127 mm)	4.5" (114 mm)	03527	130-0088* RR						
				03506							
				03509			130-0093* RR				
				03528							
6500 6700 SPA Units	22" (559 mm)	7" (178 mm)	6.6" (168 mm)	03860	137-8451 RR						
				03861			137-8452 RR				
				03862						137-8453 RR	

*Reels+ / EdgeSeries Reels+ not available
**Thinner Greens Blade
1.) Reel blade relief grind angle for all reels: 30° +/- 5°
2.) Fairway relief grinding required when land width is greater than 0.125" (3.2 mm)
3.) Maximum allowed taper on all reels is 0.010" (.2 mm)
For more information, contact your local Toro distributor at 800-803-8676

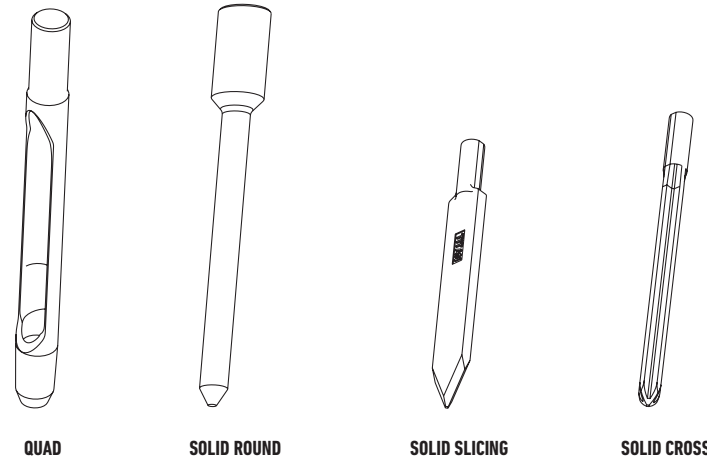
RR: Radial Reel
FSR: Forward Swept Reel
9/1/2019

Service Reel Reference Chart - Greens											
Greensmaster Unit	Reel Length	Reel Diameter	Service Limit/Life	Cutting Unit Model	Reels+				EdgeSeries (ES) Reels+™		
					5-Blade HD	8-Blade	11-Blade	14-Blade	8-Blade	11-Blade	14-Blade
Flex & eFlex 1800 / 1820 (2012 & newer) GR 1018	18" (457 mm)	5" (127 mm)	4.5" (114 mm)	04253			127-2164*			132-7357*	
				04254					127-2165*		137-8523*
				04289 ES							132-7357*
				04823 ES							
				04291 ES							137-8523
Flex 18 (2011 & older)	18" (457 mm)	5" (127 mm)	4.5" (114 mm)	04206			127-2156*	127-2157*			
				04207							
800 Integral Cutting Unit	18" (457 mm)	5" (127 mm)	4.5" (114 mm)	04054 ES			127-2160*	127-2161*		132-7353* 132-7354*	
Flex & eFlex 2100 / 2120 (2012 & newer) GR 1021	21" (533 mm)	5" (127 mm)	4.5" (114 mm)	04832 ES						137-8511	
				04251						137-8512	
				04833 ES							
				04290 ES							
				04252							137-8513
Flex 21 (2011 & older)	21" (533 mm)	5" (127 mm)	4.5" (114 mm)	04200			127-2174*	127-2176*	127-2177*		
				04202							
				04208							
1000 / 1010 / 2000 Integral Cutting Unit	21" (533 mm)	5" (127 mm)	4.5" (114 mm)	04036						132-7312* 132-7313* 132-7314*	
				04052							
				04034							
				04038 ES							
				04055 ES							
GR 1026	26" (660 mm)	5" (127 mm)	4.5" (114 mm)	04842 ES						138-5753	
				04843 ES						138-5755	
1600 / 1610 / 2600 Integral Cutting Unit	26" (660 mm)	5" (127 mm)	4.5" (114 mm)	04037			127-2206*	127-2207*		132-7361* 132-7362*	
				04060							
				04035							
3000 / 3100 / 3200 / 3300 / 3400 Low Drag DPA Seal Cutting Unit (2012 & newer)	21" (533 mm)	5" (127 mm)	4.5" (114 mm)	04613			HD: 130-0120*			137-8511 137-8512 137-8513	
				04614							
				04615							
				04618							
				04619							
				04624							
				04651 ES							
				04652 ES							
				04653 ES							
				04654 ES							
04655 ES											
3000 / 3100 / 3200 DPA Cutting Units (2011 & older)	21" (533 mm)	5" (127 mm)	4.5" (114 mm)	04610			131-2013*	127-2193* 8-Blade HD: 131-2014*	127-2194*	127-2195*	
				04611							
				04616							

*Reels+ / EdgeSeries Reels+ not available
1.) Reel blade relief grind angle for all reels: 30° +/- 10°
2.) Relief grinding required when land width is greater than 0.100" (2.5 mm)
3.) Maximum allowed taper on all reels is 0.010" (.2 mm)
4.) EdgeSeries Reels standard on 2016 models and newer

HD: Heavy Duty ES: EdgeSeries™ Cutting Unit 9/1/2019

QUICK REFERENCE GUIDE
TINES



ProCore 440 / 660 / 880 Tines – 3/8" Mount

Part No.	Description	Qty.	Sale Price
QUAD			
108-9104	TITAN QUAD, 3/8" MOUNT (4.50" X .36", .25")	A/R	\$7.10
108-9112	TITAN QUAD MAX, 3/8" MOUNT (4.50" X .36", .25")	A/R	\$11.53
108-9105	TITAN QUAD, 3/8" MOUNT (4.50" X .46", .32")	A/R	\$7.43
108-9114	TITAN QUAD MAX, 3/8" MOUNT (4.50" X .46", .32")	A/R	\$12.19
108-9106	TITAN QUAD, 3/8" MOUNT (4.50" X .55", .41")	A/R	\$7.61
108-9116	TITAN QUAD MAX, 3/8" MOUNT (4.50" X .58", .38")	A/R	\$12.97
108-9293	TITAN QUAD, 3/8" MOUNT (4.50" X .58", .48")	A/R	\$8.59
108-9108	TITAN QUAD, 3/8" MOUNT (5.00" X .36", .25")	A/R	\$8.98
108-9120	TITAN QUAD MAX, 3/8" MOUNT (5.00" X .38", .23")	A/R	\$13.35
108-9109	TITAN QUAD, 3/8" MOUNT (5.00" X .46", .32")	A/R	\$9.98
108-9122	TITAN QUAD MAX, 3/8" MOUNT (5.00" X .48", .28")	A/R	\$13.34
108-9110	TITAN QUAD, 3/8" MOUNT (5.00" X .55", .41")	A/R	\$10.28
108-9124	TITAN QUAD MAX, 3/8" MOUNT (5.00" X .58", .38")	A/R	\$13.29
108-9294	TITAN QUAD, 3/8" MOUNT (5.00" X .58", .48")	A/R	\$10.66
108-9290	TITAN QUAD, 3/8" MOUNT (5.50" X .55", .41")	A/R	\$10.23
SOLID ROUND			
108-9230	TITAN SOLID ROUND, 3/8" MOUNT (4.50" X .20")	A/R	\$4.77
108-9231	TITAN SOLID ROUND, 3/8" MOUNT (4.50" X .25")	A/R	\$4.79
108-9232	TITAN SOLID ROUND, 3/8" MOUNT (4.50" X .30")	A/R	\$4.79
108-9233	TITAN SOLID ROUND, 3/8" MOUNT (4.50" X .38")	A/R	\$4.79
108-9234	TITAN SOLID ROUND, 3/8" MOUNT (5.50" X .20")	A/R	\$4.73
108-9235	TITAN SOLID ROUND, 3/8" MOUNT (5.50" X .25")	A/R	\$4.84
108-9236	TITAN SOLID ROUND, 3/8" MOUNT (5.50" X .30")	A/R	\$4.89
108-9237	TITAN SOLID ROUND, 3/8" MOUNT (5.50" X .38")	A/R	\$4.95
SOLID SLICING			
108-9238	TITAN SOLID SLICING, 3/8" MOUNT (5.00" X .63")	A/R	\$12.38
SOLID CROSS			
108-9215	TITAN CROSS, 3/8" MOUNT (4.50" X .38")	A/R	\$8.88
108-9216	TITAN CROSS, 3/8" MOUNT (4.50" X .50")	A/R	\$8.99
112-1310	TITAN CROSS MAX, 3/8" MOUNT (4.50" X .50")	A/R	\$15.93
108-9217	TITAN CROSS, 3/8" MOUNT (4.50" X .62")	A/R	\$9.30
108-9218	TITAN CROSS, 3/8" MOUNT (5.50" X .38")	A/R	\$10.30
108-9219	TITAN CROSS, 3/8" MOUNT (5.50" X .50")	A/R	\$10.69
112-1311	TITAN CROSS MAX, 3/8" MOUNT (5.50" X .50")	A/R	\$16.27
108-9220	TITAN CROSS, 3/8" MOUNT (5.50" X .62")	A/R	\$11.10

QUICK REFERENCE GUIDE
TINES

ProCore 440 / 660 / 880 Tines – 3/4" Mount

Part No.	Description	Qty.	Sale Price
HOLLOW			
108-9128	TITAN HOLLOW, 3/4" MOUNT (4.75" X .46", .28")	A/R	\$4.84
108-9139	TITAN HOLLOW MAX, 3/4" MOUNT (4.75" X .46", .28")	A/R	\$11.30
108-9129	TITAN HOLLOW, 3/4" MOUNT (4.75" X .56", .41")	A/R	\$4.95
108-9141	TITAN HOLLOW MAX, 3/4" MOUNT (4.75" X .56", .38")	A/R	\$11.89
108-9130	TITAN HOLLOW, 3/4" MOUNT (4.75" X .66", .53")	A/R	\$4.95
108-9143	TITAN HOLLOW MAX, 3/4" MOUNT (4.75" X .66", .48")	A/R	\$11.89
108-9132	TITAN HOLLOW, 3/4" MOUNT (5.75" X .46", .28")	A/R	\$5.07
108-9133	TITAN HOLLOW, 3/4" MOUNT (5.75" X .56", .41")	A/R	\$5.33
108-9147	TITAN HOLLOW MAX, 3/4" MOUNT (5.75" X .56", .38")	A/R	\$11.94
108-9134	TITAN HOLLOW, 3/4" MOUNT (5.75" X .66", .53")	A/R	\$5.33
108-9149	TITAN HOLLOW MAX, 3/4" MOUNT (5.75" X .66", .48")	A/R	\$12.93
114-0551	TITAN HOLLOW EXT. TAPER, 3/4" MOUNT (5.75" X .66", .53")	A/R	\$5.07
114-0553	TITAN HOLLOW EXT. TAPER MAX, 3/4" MOUNT (5.75" X .68", .47")	A/R	\$11.94
66-9140	CLASSIC HOLLOW, 3/4" MOUNT (4.75" X .50", .40")	A/R	\$1.88
59-3670	CLASSIC HOLLOW, 3/4" MOUNT (4.75" X .63", .50")	A/R	\$1.93
104-0984	CLASSIC HOLLOW, 3/4" MOUNT (5.75" X .63", .51")	A/R	\$2.96
SIDE EJECT			
108-9159	TITAN SIDE EJECT, 3/4" MOUNT (4.75" X .46", .28")	A/R	\$6.13
108-9170	TITAN SIDE EJECT MAX, 3/4" MOUNT (4.75" X .46", .28")	A/R	\$14.46
108-9160	TITAN SIDE EJECT, 3/4" MOUNT (4.75" X .56", .41")	A/R	\$6.24
108-9172	TITAN SIDE EJECT MAX, 3/4" MOUNT (4.75" X .56", .38")	A/R	\$14.47
108-9161	TITAN SIDE EJECT, 3/4" MOUNT (4.75" X .66", .53")	A/R	\$6.24
108-9174	TITAN SIDE EJECT MAX, 3/4" MOUNT (4.75" X .66", .48")	A/R	\$14.47
108-9163	TITAN SIDE EJECT, 3/4" MOUNT (5.75" X .46", .28")	A/R	\$6.56
108-9176	TITAN SIDE EJECT MAX, 3/4" MOUNT (5.75" X .46", .28")	A/R	\$14.92
108-9164	TITAN SIDE EJECT, 3/4" MOUNT (5.75" X .56", .41")	A/R	\$6.76
108-9178	TITAN SIDE EJECT MAX, 3/4" MOUNT (5.75" X .56", .38")	A/R	\$15.48
108-9165	TITAN SIDE EJECT, 3/4" MOUNT (5.75" X .66", .53")	A/R	\$6.76
108-9180	TITAN SIDE EJECT MAX, 3/4" MOUNT (5.75" X .66", .48")	A/R	\$15.48
114-0555	TITAN SIDE EJECT EXT. TAPER, 3/4" MOUNT (5.75" X .66", .53")	A/R	\$6.35
114-0557	TITAN SIDE EJECT EXT. TAPER MAX, 3/4" MOUNT (5.75" X .66", .47")	A/R	\$15.02
108-9260	HD FAIRWAY, 3/4" MOUNT (5.75" X .77", .51")	A/R	\$7.55
108-9261	HD FAIRWAY, 3/4" MOUNT (5.75" X .88", .51")	A/R	\$7.99
104-9876	FAIRWAY, 3/4" MOUNT (5.75" X .77", .51")	A/R	\$4.61
104-9875	FAIRWAY, 3/4" MOUNT (5.75" X .88", .51")	A/R	\$4.84
SOLID ROUND			
108-9198	TITAN SOLID ROUND, 3/4" MOUNT (4.50" X .25")	A/R	\$5.30
108-9199	TITAN SOLID ROUND, 3/4" MOUNT (4.50" X .30")	A/R	\$5.30
108-9200	TITAN SOLID ROUND, 3/4" MOUNT (4.50" X .35")	A/R	\$5.41
108-9201	TITAN SOLID ROUND, 3/4" MOUNT (4.50" X .40")	A/R	\$5.30
108-9202	TITAN SOLID ROUND, 3/4" MOUNT (4.50" X .50")	A/R	\$5.30
108-9203	TITAN SOLID ROUND, 3/4" MOUNT (4.50" X .60")	A/R	\$5.30
108-9204	TITAN SOLID ROUND, 3/4" MOUNT (5.50" X .25")	A/R	\$5.52
108-9205	TITAN SOLID ROUND, 3/4" MOUNT (5.50" X .30")	A/R	\$5.41
108-9206	TITAN SOLID ROUND, 3/4" MOUNT (5.50" X .35")	A/R	\$5.35
108-9207	TITAN SOLID ROUND, 3/4" MOUNT (5.50" X .40")	A/R	\$5.41
108-9208	TITAN SOLID ROUND, 3/4" MOUNT (5.50" X .50")	A/R	\$5.41
108-9209	TITAN SOLID ROUND, 3/4" MOUNT (5.50" X .60")	A/R	\$5.52
108-9244	TITAN SOLID ROUND, 3/4" MOUNT (5.50" X .75")	A/R	\$5.30
SOLID SLICING			
108-9239	TITAN SOLID SLICING, 3/4" MOUNT (4.50" X .75")	A/R	\$11.76
108-9240	TITAN SOLID SLICING, 3/4" MOUNT (5.50" X .75")	A/R	\$12.10

QUICK REFERENCE GUIDE TINES

ProCore 440 / 660 / 880 Tines – 3/4" Mount - continued

Part No.	Description	Qty.	Sale Price
SOLID CROSS			
108-9221	TITAN CROSS, 3/4" MOUNT (4.50" X .50")	A/R	\$9.57
108-9223	TITAN CROSS, 3/4" MOUNT (4.50" X .75")	A/R	\$10.24
108-9224	TITAN CROSS, 3/4" MOUNT (5.50" X .50")	A/R	\$9.85
112-1313	TITAN CROSS MAX, 3/4" MOUNT (5.50" X .50")	A/R	\$17.18
108-9226	TITAN CROSS, 3/4" MOUNT (5.50" X .75")	A/R	\$10.58



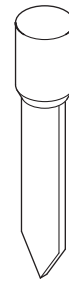
HOLLOW



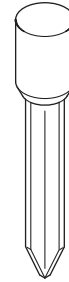
SIDE EJECT



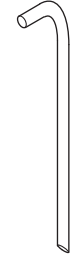
SOLID ROUND



SOLID SLICING



SOLID CROSS



SOLID NEEDLE

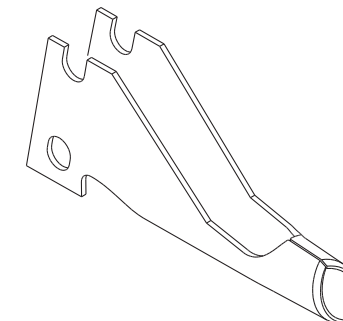
ProCore 440 / 660 / 880 Tines – 7/8" and Needle Mount

Part No.	Description	Qty.	Sale Price
HOLLOW			
108-9190	TITAN HOLLOW, 7/8" MOUNT (4.75" X .66", .51")	A/R	\$4.95
108-9191	TITAN HOLLOW, 7/8" MOUNT (4.75" X .76", .63")	A/R	\$5.07
108-9192	TITAN HOLLOW, 7/8" MOUNT (5.75" X .66", .51")	A/R	\$5.38
108-9193	TITAN HOLLOW, 7/8" MOUNT (5.75" X .76", .63")	A/R	\$5.38
62-4600	CLASSIC HOLLOW, 7/8" MOUNT (4.75" X .75", .60")	A/R	\$4.00
86-9720	CLASSIC HOLLOW, 7/8" MOUNT (5.75" X .75", .60")	A/R	\$4.20
SIDE EJECT			
108-9194	TITAN SIDE EJECT, 7/8" MOUNT (4.75" X .66", .51")	A/R	\$7.10
108-9195	TITAN SIDE EJECT, 7/8" MOUNT (4.75" X .76", .63")	A/R	\$7.10
108-9196	TITAN SIDE EJECT, 7/8" MOUNT (5.75" X .66", .51")	A/R	\$6.80
108-9188	TITAN SIDE EJECT MAX, 7/8" MOUNT (5.75" X .66", .48")	A/R	\$15.64
108-9197	TITAN SIDE EJECT, 7/8" MOUNT (5.75" X .76", .63")	A/R	\$6.78
108-9264	TITAN HD FAIRWAY, 7/8" MOUNT (5.75" X .88", .64")	A/R	\$9.17
108-9265	TITAN HD FAIRWAY, 7/8" MOUNT (5.75" X 1.0", .64")	A/R	\$8.78
92-7900	FAIRWAY, 7/8" MOUNT (5.75" X .88", .64")	A/R	\$5.41
104-9877	FAIRWAY, 7/8" MOUNT (5.75" X 1.0", .64")	A/R	\$4.77
SOLID ROUND			
108-9246	TITAN SOLID ROUND, 7/8" MOUNT (5.50" X .75")	A/R	\$7.81
108-9247	TITAN SOLID ROUND, 7/8" MOUNT (5.50" X .88")	A/R	\$9.00

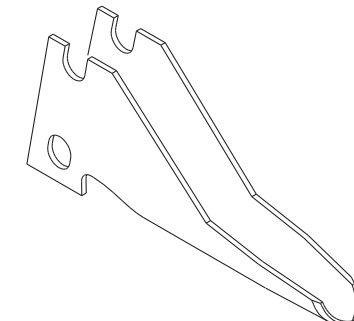
QUICK REFERENCE GUIDE TINES

ProCore 440 / 660 / 880 Tines – 7/8" and Needle Mount - continued

Part No.	Description	Qty.	Sale Price
SOLID SLICING			
108-9242	TITAN SOLID SLICING, 7/8" MOUNT (5.50" X .75")	A/R	\$12.99
SOLID CROSS			
108-9259	TITAN CROSS, 7/8" MOUNT (5.50" X .88")	A/R	\$13.39
SOLID NEEDLE			
100-3620*	TITAN SOLID NEEDLE 3/16" X 6.43"	A/R	\$3.18
100-3621*	TITAN SOLID NEEDLE 5/16" X 7.38"	A/R	\$4.10



CLOSED SPOON

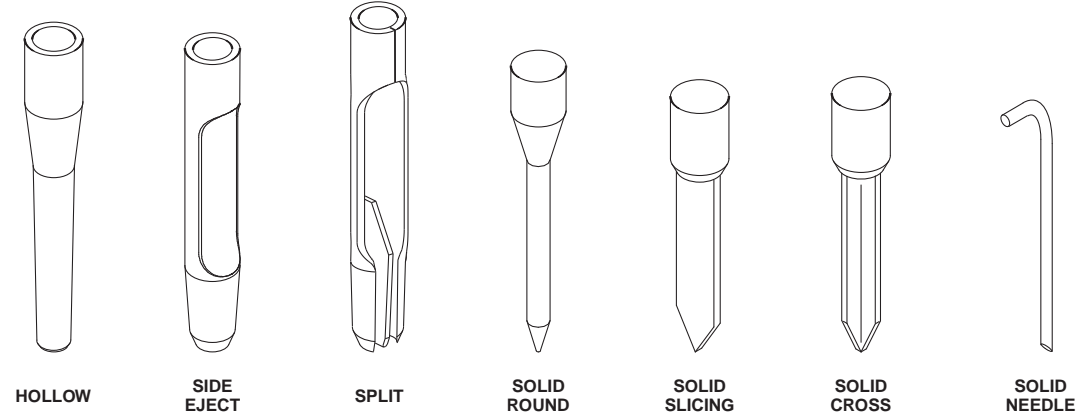


OPEN SPOON

Turf Aerator 686 / 687 Tines

Part No.	Description	Qty.	Sale Price
CLOSED SPOON			
01-283-0050	ORDER 108-9297	A/R	-
108-9297	1/2" SPOON TINE CLOSED (686/687)	A/R	\$5.70
01-283-0060	ORDER 108-9299	A/R	-
108-9299	3/4" SPOON TINE CLOSED (686/687)	A/R	\$5.33
OPEN SPOON			
01-283-0070	ORDER 108-9296	A/R	-
108-9296	1/2" SPOON TINE OPEN (686/687)	A/R	\$5.70
01-283-0080	ORDER 108-9298	A/R	-
108-9298	3/4" SPOON TINE OPEN (686/687)	A/R	\$5.70
01-283-0030	4" SLICING BLADE (686/687)	A/R	\$6.71
01-283-0040	SLICING BLADE (686/687)	A/R	\$8.96

QUICK REFERENCE GUIDE
TINES

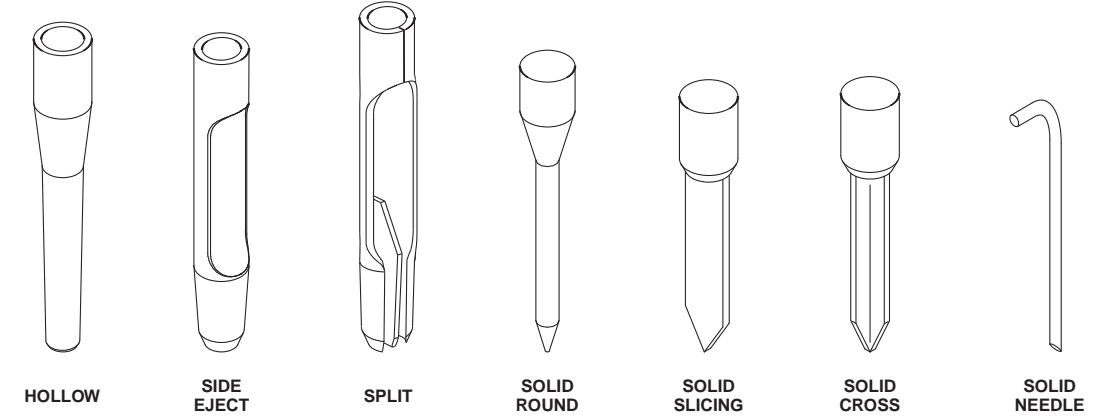


HOLLOW SIDE EJECT SPLIT SOLID ROUND SOLID SLICING SOLID CROSS SOLID NEEDLE

ProCore 648 / 864 / 1298 Tines – 3/8" Mount

Part No.	Description	Qty.	Sale Price
QUAD			
108-9104	TITAN QUAD, 3/8" MOUNT (4.50" X .36", .25")	A/R	\$7.10
108-9112	TITAN QUAD MAX, 3/8" MOUNT (4.50" X .38", .23")	A/R	\$11.53
108-9105	TITAN QUAD, 3/8" MOUNT (4.50" X .46", .32")	A/R	\$7.43
108-9114	TITAN QUAD MAX, 3/8" MOUNT (4.50" X .46", .28")	A/R	\$12.19
108-9106	TITAN QUAD, 3/8" MOUNT (4.50" X .55", .41")	A/R	\$7.61
108-9116	TITAN QUAD MAX, 3/8" MOUNT (4.50" X .58", .38")	A/R	\$12.97
108-9293	TITAN QUAD, 3/8" MOUNT (4.50" X .58", .48")	A/R	\$8.59
108-9108	TITAN QUAD, 3/8" MOUNT (5.00" X .36", .25")	A/R	\$8.98
108-9120	TITAN QUAD MAX, 3/8" MOUNT (5.00" X .38", .23")	A/R	\$13.35
108-9109	TITAN QUAD, 3/8" MOUNT (5.00" X .46", .32")	A/R	\$9.98
108-9122	TITAN QUAD MAX, 3/8" MOUNT (5.00" X .48", .28")	A/R	\$13.34
108-9110	TITAN QUAD, 3/8" MOUNT (5.00" X .55", .41")	A/R	\$10.28
108-9124	TITAN QUAD MAX, 3/8" MOUNT (5.00" X .58", .38")	A/R	\$13.29
108-9294	TITAN QUAD, 3/8" MOUNT (5.00" X .58", .48")	A/R	\$10.66
108-9290	TITAN QUAD, 3/8" MOUNT (5.50" X .55", .41")	A/R	\$10.23
SOLID ROUND			
108-9230	TITAN SOLID ROUND, 3/8" MOUNT (4.50" X .20")	A/R	\$4.77
108-9231	TITAN SOLID ROUND, 3/8" MOUNT (4.50" X .25")	A/R	\$4.79
108-9232	TITAN SOLID ROUND, 3/8" MOUNT (4.50" X .30")	A/R	\$4.79
108-9233	TITAN SOLID ROUND, 3/8" MOUNT (4.50" X .38")	A/R	\$4.79
108-9234	TITAN SOLID ROUND, 3/8" MOUNT (5.50" X .20")	A/R	\$4.73
108-9235	TITAN SOLID ROUND, 3/8" MOUNT (5.50" X .25")	A/R	\$4.84
108-9236	TITAN SOLID ROUND, 3/8" MOUNT (5.50" X .30")	A/R	\$4.89
108-9237	TITAN SOLID ROUND, 3/8" MOUNT (5.50" X .38")	A/R	\$4.95
SOLID SLICING			
108-9238	TITAN SOLID SLICING, 3/8" MOUNT (5.00" X .63")	A/R	\$12.38
SOLID CROSS			
108-9215	TITAN CROSS, 3/8" MOUNT (4.50" X .38")	A/R	\$8.88
108-9216	TITAN CROSS, 3/8" MOUNT (4.50" X .50")	A/R	\$8.99
112-1310	TITAN CROSS MAX, 3/8" MOUNT (4.50" X .50")	A/R	\$15.93
108-9217	TITAN CROSS, 3/8" MOUNT (4.50" X .62")	A/R	\$9.30
108-9218	TITAN CROSS, 3/8" MOUNT (5.50" X .38")	A/R	\$10.30
108-9219	TITAN CROSS, 3/8" MOUNT (5.50" X .50")	A/R	\$10.69
112-1311	TITAN CROSS MAX, 3/8" MOUNT (5.50" X .50")	A/R	\$16.27
108-9220	TITAN CROSS, 3/8" MOUNT (5.50" X .62")	A/R	\$11.10

QUICK REFERENCE GUIDE
TINES



HOLLOW SIDE EJECT SPLIT SOLID ROUND SOLID SLICING SOLID CROSS SOLID NEEDLE

ProCore 648 / 864 / 1298 Tines – 3/4" Mount

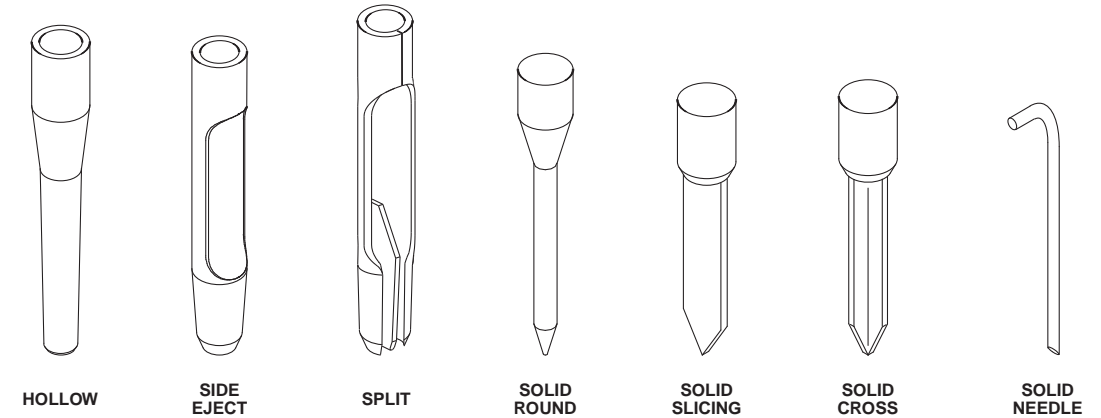
Part No.	Description	Qty.	Sale Price
HOLLOW			
108-9128	TITAN HOLLOW, 3/4" MOUNT (4.75" X .46", .28")	A/R	\$4.84
108-9139	TITAN HOLLOW MAX, 3/4" MOUNT (4.75" X .46", .28")	A/R	\$11.30
108-9129	TITAN HOLLOW, 3/4" MOUNT (4.75" X .56", .41")	A/R	\$4.95
108-9141	TITAN HOLLOW MAX, 3/4" MOUNT (4.75" X .56", .38")	A/R	\$11.89
108-9130	TITAN HOLLOW, 3/4" MOUNT (4.75" X .66", .53")	A/R	\$4.95
108-9143	TITAN HOLLOW MAX, 3/4" MOUNT (4.75" X .66", .48")	A/R	\$11.89
108-9132	TITAN HOLLOW, 3/4" MOUNT (5.75" X .46", .28")	A/R	\$5.07
108-9133	TITAN HOLLOW, 3/4" MOUNT (5.75" X .56", .41")	A/R	\$5.33
108-9147	TITAN HOLLOW MAX, 3/4" MOUNT (5.75" X .56", .38")	A/R	\$11.94
108-9134	TITAN HOLLOW, 3/4" MOUNT (5.75" X .66", .53")	A/R	\$5.33
108-9149	TITAN HOLLOW MAX, 3/4" MOUNT (5.75" X .66", .48")	A/R	\$12.93
108-9138	TITAN HOLLOW, 3/4" MOUNT (6.50" X .46", .28")	A/R	\$5.33
108-9135	TITAN HOLLOW MAX, 3/4" MOUNT (6.50" X .46", .28")	A/R	\$15.80
108-9136	TITAN HOLLOW, 3/4" MOUNT (6.50" X .56", .41")	A/R	\$5.33
108-9151	TITAN HOLLOW MAX, 3/4" MOUNT (6.50" X .56", .38")	A/R	\$14.82
108-9137	TITAN HOLLOW, 3/4" MOUNT (6.50" X .66", .53")	A/R	\$5.33
108-9153	TITAN HOLLOW MAX, 3/4" MOUNT (6.50" X .66", .48")	A/R	\$15.72
114-0551	TITAN HOLLOW EXT. TAPER, 3/4" MOUNT (5.75" X .66", .53")	A/R	\$5.07
114-0553	TITAN HOLLOW EXT. TAPER MAX, 3/4" MOUNT (5.75" X .66", .47")	A/R	\$11.94
114-0550	TITAN HOLLOW EXT. TAPER, 3/4" MOUNT (6.50" X .66", .53")	A/R	\$5.38
66-9140	CLASSIC HOLLOW, 3/4" MOUNT (4.75" X .50", .40")	A/R	\$1.88
59-3670	CLASSIC HOLLOW, 3/4" MOUNT (4.75" X .63", .50")	A/R	\$1.93
104-0984	CLASSIC HOLLOW, 3/4" MOUNT (5.75" X .63", .51")	A/R	\$2.96
105-1180	CLASSIC HOLLOW, 3/4" MOUNT (6.50" X .66", .39")	A/R	\$2.79
SIDE EJECT			
108-9159	TITAN SIDE EJECT, 3/4" MOUNT (4.75" X .46", .28")	A/R	\$6.13
108-9170	TITAN SIDE EJECT MAX, 3/4" MOUNT (4.75" X .46", .28")	A/R	\$14.46
108-9160	TITAN SIDE EJECT, 3/4" MOUNT (4.75" X .56", .41")	A/R	\$6.24
108-9172	TITAN SIDE EJECT MAX, 3/4" MOUNT (4.75" X .56", .38")	A/R	\$14.47
108-9161	TITAN SIDE EJECT, 3/4" MOUNT (4.75" X .66", .53")	A/R	\$6.24
108-9174	TITAN SIDE EJECT MAX, 3/4" MOUNT (4.75" X .66", .48")	A/R	\$14.47
108-9163	TITAN SIDE EJECT, 3/4" MOUNT (5.75" X .46", .28")	A/R	\$6.56
108-9176	TITAN SIDE EJECT MAX, 3/4" MOUNT (5.75" X .46", .28")	A/R	\$14.92
108-9164	TITAN SIDE EJECT, 3/4" MOUNT (5.75" X .56", .41")	A/R	\$6.76
108-9178	TITAN SIDE EJECT MAX, 3/4" MOUNT (5.75" X .56", .38")	A/R	\$15.48

QUICK REFERENCE GUIDE
TINES

ProCore 648 / 864 / 1298 Tines – 3/4" Mount – continued

Part No.	Description	Qty.	Sale Price
<i>SIDE EJECT</i>			
108-9165	TITAN SIDE EJECT, 3/4" MOUNT (5.75" X .66", .53")	A/R	\$6.76
108-9180	TITAN SIDE EJECT MAX, 3/4" MOUNT (5.75" X .66", .48")	A/R	\$15.48
108-9162	TITAN SIDE EJECT, 3/4" MOUNT (6.50" X .46", .28")	A/R	\$7.60
108-9166	TITAN SIDE EJECT MAX, 3/4" MOUNT (6.50" X .46", .28")	A/R	\$15.98
108-9167	TITAN SIDE EJECT, 3/4" MOUNT (6.50" X .56", .41")	A/R	\$8.04
108-9182	TITAN SIDE EJECT MAX, 3/4" MOUNT (6.50" X .56", .38")	A/R	\$15.83
108-9168	TITAN SIDE EJECT, 3/4" MOUNT (6.50" X .66", .53")	A/R	\$7.66
108-9184	TITAN SIDE EJECT MAX, 3/4" MOUNT (6.50" X .66", .48")	A/R	\$15.63
114-0555	TITAN SIDE EJECT EXT. TAPER, 3/4" MOUNT (5.75" X .66", .53")	A/R	\$6.35
114-0557	TITAN SIDE EJECT EXT. TAPER MAX, 3/4" MOUNT (5.75" X .66", .47")	A/R	\$15.02
114-0558	TITAN SIDE EJECT EXT. TAPER, 3/4" MOUNT (6.50" X .66", .53")	A/R	\$7.10
114-0560	TITAN SIDE EJECT EXT. TAPER MAX, 3/4" MOUNT (6.50" X .66", .47")	A/R	\$16.04
108-9260	HD FAIRWAY, 3/4" MOUNT (5.75" X .77", .51")	A/R	\$7.55
108-9261	HD FAIRWAY, 3/4" MOUNT (5.75" X .88", .51")	A/R	\$7.99
104-9876	FAIRWAY, 3/4" MOUNT (5.75" X .77", .51")	A/R	\$4.61
104-9875	FAIRWAY, 3/4" MOUNT (5.75" X .88", .51")	A/R	\$4.84
<i>SPLIT</i>			
112-5122	TITAN SPLIT, 3/4" MOUNT (5.75" X .88", .51")	A/R	\$8.72
<i>SOLID ROUND</i>			
77-5320	TITAN SOLID ROUND, 3/4" MOUNT (3.25" X .313")	A/R	\$6.13
108-9198	TITAN SOLID ROUND, 3/4" MOUNT (4.50" X .25")	A/R	\$5.30
108-9199	TITAN SOLID ROUND, 3/4" MOUNT (4.50" X .30")	A/R	\$5.30
108-9200	TITAN SOLID ROUND, 3/4" MOUNT (4.50" X .35")	A/R	\$5.41
108-9201	TITAN SOLID ROUND, 3/4" MOUNT (4.50" X .40")	A/R	\$5.30
108-9202	TITAN SOLID ROUND, 3/4" MOUNT (4.50" X .50")	A/R	\$5.30
108-9203	TITAN SOLID ROUND, 3/4" MOUNT (4.50" X .60")	A/R	\$5.30
108-9204	TITAN SOLID ROUND, 3/4" MOUNT (5.50" X .25")	A/R	\$5.52
108-9205	TITAN SOLID ROUND, 3/4" MOUNT (5.50" X .30")	A/R	\$5.41
108-9206	TITAN SOLID ROUND, 3/4" MOUNT (5.50" X .35")	A/R	\$5.35
108-9207	TITAN SOLID ROUND, 3/4" MOUNT (5.50" X .40")	A/R	\$5.41
108-9208	TITAN SOLID ROUND, 3/4" MOUNT (5.50" X .50")	A/R	\$5.41
108-9209	TITAN SOLID ROUND, 3/4" MOUNT (5.50" X .60")	A/R	\$5.52
108-9244	TITAN SOLID ROUND, 3/4" MOUNT (5.50" X .75")	A/R	\$5.30
108-9210	TITAN SOLID ROUND, 3/4" MOUNT (6.50" X .30")	A/R	\$6.13
108-9211	TITAN SOLID ROUND, 3/4" MOUNT (6.50" X .35")	A/R	\$5.97
108-9212	TITAN SOLID ROUND, 3/4" MOUNT (6.50" X .40")	A/R	\$6.13
108-9213	TITAN SOLID ROUND, 3/4" MOUNT (6.50" X .50")	A/R	\$6.13
108-9214	TITAN SOLID ROUND, 3/4" MOUNT (6.50" X .60")	A/R	\$6.68
108-9245	TITAN SOLID ROUND, 3/4" MOUNT (6.50" X .75")	A/R	\$5.41
<i>SOLID SLICING</i>			
108-9239	TITAN SOLID SLICING, 3/4" MOUNT (4.50" X .75")	A/R	\$11.76
108-9240	TITAN SOLID SLICING, 3/4" MOUNT (5.50" X .75")	A/R	\$12.10
108-9241	TITAN SOLID SLICING, 3/4" MOUNT (6.50" X .75")	A/R	\$12.73
<i>SOLID CROSS</i>			
108-9221	TITAN CROSS, 3/4" MOUNT (4.50" X .50")	A/R	\$9.57
108-9223	TITAN CROSS, 3/4" MOUNT (4.50" X .75")	A/R	\$10.24
108-9224	TITAN CROSS, 3/4" MOUNT (5.50" X .50")	A/R	\$9.85
112-1313	TITAN CROSS MAX, 3/4" MOUNT (5.50" X .50")	A/R	\$17.18
108-9226	TITAN CROSS, 3/4" MOUNT (5.50" X .75")	A/R	\$10.58
108-9227	TITAN CROSS, 3/4" MOUNT (6.50" X .50")	A/R	\$10.13
112-1314	TITAN CROSS MAX, 3/4" MOUNT (6.50" X .50")	A/R	\$17.06
108-9228	TITAN CROSS, 3/4" MOUNT (6.50" X .62")	A/R	\$10.58
108-9229	TITAN CROSS, 3/4" MOUNT (6.50" X .75")	A/R	\$10.92

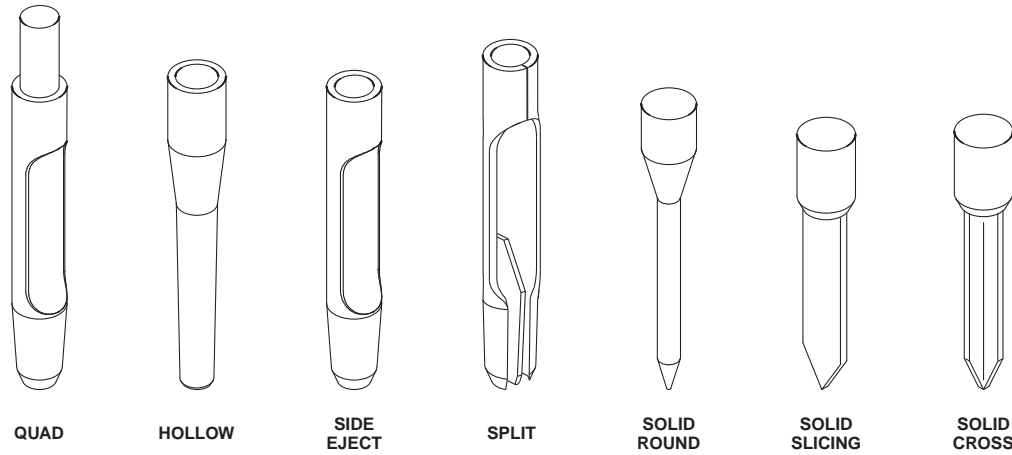
QUICK REFERENCE GUIDE
TINES



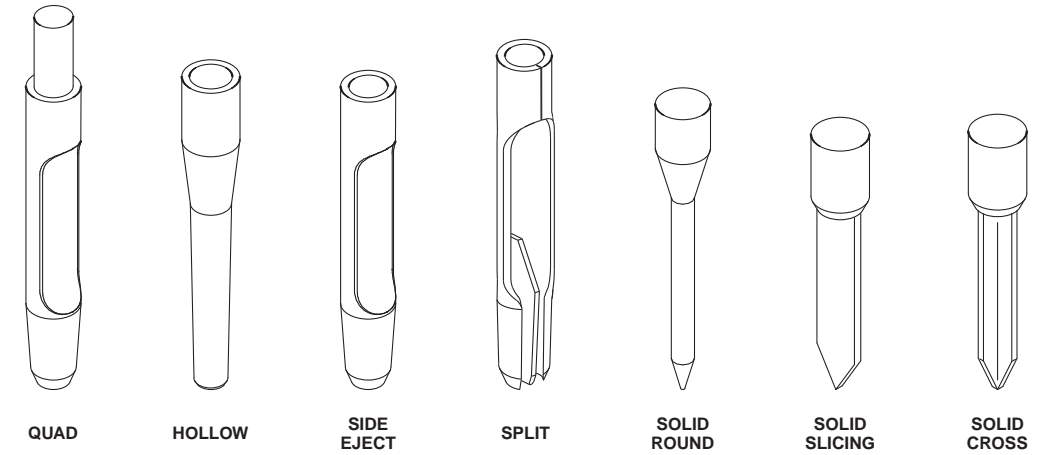
ProCore 648 / 864 / 1298 Tines – 7/8" and Needle Mount

Part No.	Description	Qty.	Sale Price
<i>HOLLOW</i>			
108-9190	TITAN HOLLOW, 7/8" MOUNT (4.75" X .66", .51")	A/R	\$4.95
108-9191	TITAN HOLLOW, 7/8" MOUNT (4.75" X .76", .63")	A/R	\$5.07
108-9192	TITAN HOLLOW, 7/8" MOUNT (5.75" X .66", .51")	A/R	\$5.38
108-9193	TITAN HOLLOW, 7/8" MOUNT (5.75" X .76", .63")	A/R	\$5.38
62-4600	CLASSIC HOLLOW, 7/8" MOUNT (4.75" X .75", .60")	A/R	\$4.00
86-9720	CLASSIC HOLLOW, 7/8" MOUNT (5.75" X .75", .60")	A/R	\$4.20
<i>SIDE EJECT</i>			
108-9194	TITAN SIDE EJECT, 7/8" MOUNT (4.75" X .66", .51")	A/R	\$7.10
108-9195	TITAN SIDE EJECT, 7/8" MOUNT (4.75" X .76", .63")	A/R	\$7.10
108-9196	TITAN SIDE EJECT, 7/8" MOUNT (5.75" X .66", .51")	A/R	\$6.80
108-9188	TITAN SIDE EJECT MAX, 7/8" MOUNT (5.75" X .66", .48")	A/R	\$15.64
108-9197	TITAN SIDE EJECT, 7/8" MOUNT (5.75" X .76", .63")	A/R	\$6.78
108-9264	TITAN HD FAIRWAY, 7/8" MOUNT (5.75" X .88", .64")	A/R	\$9.17
108-9265	TITAN HD FAIRWAY, 7/8" MOUNT (5.75" X 1.0", .64")	A/R	\$8.78
92-7900	FAIRWAY, 7/8" MOUNT (5.75" X .88", .64")	A/R	\$5.41
104-9877	FAIRWAY, 7/8" MOUNT (5.75" X 1.0", .64")	A/R	\$4.77
<i>SPLIT</i>			
112-5121	TITAN SPLIT, 7/8" MOUNT (5.75" X .88", .64")	A/R	\$7.88
112-5123	TITAN SPLIT, 3/4" MOUNT (5.75" X .92", .64")	A/R	\$8.22
<i>SOLID ROUND</i>			
108-9246	TITAN SOLID ROUND, 7/8" MOUNT (5.50" X .75")	A/R	\$7.81
108-9247	TITAN SOLID ROUND, 7/8" MOUNT (5.50" X .88")	A/R	\$9.00
108-9248	TITAN SOLID ROUND, 7/8" MOUNT (6.50" X .75")	A/R	\$10.52
108-9249	TITAN SOLID ROUND, 7/8" MOUNT (6.50" X .88")	A/R	\$10.79
<i>SOLID SLICING</i>			
108-9242	TITAN SOLID SLICING, 7/8" MOUNT (5.50" X .75")	A/R	\$12.99
108-9243	TITAN SOLID SLICING, 7/8" MOUNT (6.50" X .75")	A/R	\$14.51
<i>SOLID CROSS</i>			
108-9259	TITAN CROSS, 7/8" MOUNT (5.50" X .88")	A/R	\$13.39
<i>SOLID NEEDLE</i>			
100-3620*	TITAN SOLID NEEDLE (6.43" X .188")	A/R	\$3.18
100-3621*	TITAN SOLID NEEDLE (7.38" X .313")	A/R	\$4.10

QUICK REFERENCE GUIDE
TINES



QUICK REFERENCE GUIDE
TINES



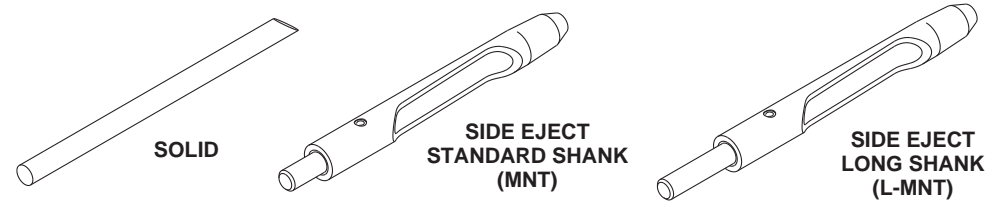
Tines for Competitive Models – 1/2" and 5/8" Mount

	Part No.	Description	Qty.	Sale Price
QUAD				
	112-1316	TITAN QUAD 1/2" (4.5" X .46", .32")	A/R	\$6.91
	112-1322	TITAN MAX QUAD 1/2" (4.5" X .480")	A/R	\$12.10
SOLID ROUND				
	112-1347	TITAN SOLID ROUND 1/2" (4.50" X .500")	A/R	\$5.68
	112-1329	TITAN SOLID ROUND 1/2" (5.50" X .250")	A/R	\$5.97
SOLID SLICING				
	112-5102	TITAN SOLID SLICING 3/8" (5.00" X .625") (INCL 1/2" SLEEVE)	A/R	\$11.71
	112-1300	ORDER 114-0583		-
	114-0583	SLEEVE - 1/2" (FOR 3/8" TINES)	A/R	\$2.72
QUAD				
	112-1332	TITAN QUAD 5/8" (4.5" X .458")	A/R	\$7.76
SIDE EJECT				
	112-1303	TITAN SIDE EJECT 5/8" (4.50" X .560")	A/R	\$5.63
SOLID ROUND				
	112-1348	TITAN SOLID ROUND 5/8" (4.50" X .625")	A/R	\$5.23
SOLID SLICING				
	112-5103	TITAN SOLID SLICING 3/8" (5.00" X .625") (INCL 5/8" SLEEVE)	A/R	\$11.71
	112-1301	SLEEVE - 5/8" (FOR 3/8" TINES)	A/R	\$2.85

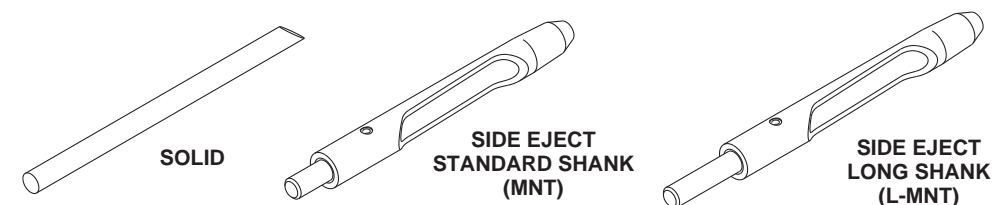
Procore® SR Series

Ref. No.	Part No.	Description	Qty.	Sale Price
	117-7190	ADAPTER HEAD KIT - 10 5/16" TINES PER HEAD	A/R	\$161.03
	117-7192	ADAPTER HEAD KIT - 8 3/8" TINES PER HEAD	A/R	\$161.03
	117-7191	ADAPTER HEAD KIT - 10 12mm TINES PER HEAD	A/R	\$161.03
	117-7193	ADAPTER HEAD KIT - 6 5/16" or 6 3/8" TINES PER HEAD	A/R	\$161.03
	117-7194	ADAPTER HEAD KIT - 2 18mm TINES PER HEAD	A/R	\$161.03
	117-7195	ADAPTER HEAD KIT - 2 5/16" or 2 12mm TINES PER HEAD	A/R	\$161.03
	117-7196	ADAPTER HEAD KIT - 4 5/16" or 4 3/8" TINES PER HEAD	A/R	\$161.03
	117-7199	ADAPTER HEAD KIT - 8 3/8" TINES PER HEAD	A/R	\$161.03
	117-7198	ADAPTER HEAD KIT - 4 12mm or 3 18mm TINES PER HEAD	A/R	\$167.46
	SGA10375	ADAPTER SLEEVE - 5/16" TINE to 12mm HOLE (MNT)	A/R	\$8.38
	SGA08313	ADAPTER SLEEVE - 5/16" TINE to 12mm HOLE (L-MNT)	A/R	\$10.00
	SGA12375	ADAPTER SLEEVE - 3/8" TINE to 12mm HOLE (L-MNT)	A/R	\$10.00
	SG715802	ADAPTER SLEEVE - 18mm TINE to 7/8" HOLE (L-MNT)	A/R	\$21.13
	SG148160	WIRE & SPRING ASSEMBLY (SR72)	12	\$42.22
	SG481512	SPRING - COMPRESSION (SR72)	12	\$33.50
	SG482016	LEADING WIRE - DRAW BAR (SR72)	24	\$8.04
	SG482017	TRAILING WIRE - DRAW BAR (SR72)	12	\$8.43
	SG487054	WIRE & SPRING ASSEMBLY (SR54)	6	\$40.85
	SG481512	SPRING - COMPRESSION (SR54)	6	\$33.50
	SG487255	WIRE - DRAW BAR (SR54)	18	\$5.66
	SG148154	SPRING & WIRE ASSEMBLY (SR54-S)	12	\$42.22
	SG487257	SPRING - COMPRESSION (SR54-S)	12	\$33.50
	SG487256	WIRE - DRAW BAR (SR54-S)	36	\$5.66
	SG481512	SPRING - COMPRESSION (SR70)	8	\$33.50
	SG487255	WIRE - DRAW BAR (SR70)	24	\$5.66
	SG148154	SPRING & WIRE ASSEMBLY (SR70-S)	16	\$42.22
	SG487257	SPRING - COMPRESSION (SR70-S)	16	\$33.50
	SG487256	WIRE - DRAW BAR (SR70-S)	48	\$5.66
	SG148160	WIRE & SPRING ASSEMBLY (SR72)	12	\$42.22
	SG481512	SPRING - COMPRESSION (SR72)	12	\$33.50
	SG482016	LEADING WIRE - DRAW BAR (SR72)	24	\$8.04
	SG482017	TRAILING WIRE - DRAW BAR (SR72)	12	\$8.43
	SG487278	SPRING & WIRE ASSEMBLY (SR75 HD)	12	\$53.54
	SG487275	SPRING - COMPRESSION (SR75 HD)	12	\$35.20
	SG487277	LEADING WIRE - DRAW BAR (SR75 HD)	24	\$7.04
	SG487276	TRAILING WIRE - DRAW BAR (SR75 HD)	12	\$8.43

QUICK REFERENCE GUIDE
TINES



QUICK REFERENCE GUIDE
TINES



ProCore SR Series Tines

Part No.	Description	SR48	SR54	SR54-S	SR70	SR70-S	SR72	SR75-HD	Sale Price
SOLID									
SGS07313	TINE - 5/16" X 8.50" (5/16" MNT)	x	x	x	x	x	x		\$3.10
SGS08313	TINE - 5/16" X 10" (5/16" MNT)	x	x	x	x	x	x		\$3.32
SGS08375	TINE - 3/8" X 9.00" (3/8" MNT)	x	x		x		x		\$4.39
SGS10374	TINE - 3/8" X 10.75" (3/8" MNT)	x	x		x		x		\$4.39
SGS10375	TINE - 3/8" X 12.25" (3/8" MNT)	x			x		x		\$4.61
SGS08500	TINE - 12mm X 8.00" (12mm MNT)	x	x	x	x	x	x		\$4.39
SGS10504	TINE - 12mm X 10.75" (12mm MNT)	x	x	x		x	x		\$6.70
SGS10500	TINE - 12mm X 12.25" (12mm MNT)	x					x		\$7.02
SGS12500	TINE - 12mm X 14.25" (12mm MNT)	x					x		\$7.66
SGS14500	TINE - 12mm X 16.25" (12mm MNT)	x					x		\$8.17
SGS10750	TINE - 18mm X 12.25" (18mm MNT)	x					x	x	\$10.24
SGS12750	TINE - 18mm X 14.25" (18mm MNT)	x					x	x	\$11.30
SGS14750	TINE - 18mm X 16.25" (18mm MNT)	x					x	x	\$12.83
SGS10875	TINE - 7/8" X 12.50" (18mm MNT)	x					x	x	\$13.10
SGS12875	TINE - 7/8" X 14.00" (18mm MNT)	x					x	x	\$14.50
SGS14875	TINE - 7/8" X 16.00" (18mm MNT)	x					x	x	\$18.44
SGS10876	TINE - 7/8" X 12.50" (7/8" MNT)							x	\$19.76
SGS12876	TINE - 7/8" X 14.00" (7/8" MNT)							x	\$21.16
SGS16100	TINE - 1" X 17.88" (7/8" MNT)							x	\$25.34
SIDE EJECT STD. SHANK									
SGC05550	TINE ASSEMBLY - .500" X 5.5" (3/8" MNT)		x		x				\$11.85
SGT05550	TUBE ASSEMBLY - .500" X 5.5"		x		x				\$5.57
SGC07624	TINE ASSEMBLY - .687" X 7.0" (12mm MNT)		x	x	x	x			\$16.21
SGT07625	TUBE ASSEMBLY - .687" X 7.0"		x	x	x	x			\$9.75
SGC07754	TINE ASSEMBLY - .813" X 7.0" (12mm MNT)		x	x	x	x			\$19.42
SGT07750	TUBE ASSEMBLY - .813" X 7.0"		x	x	x	x			\$12.38
SGC10754	TINE ASSEMBLY - .750" X 10.0" (12mm MNT)		x	x	x	x			\$22.60
SGT10750	TUBE ASSEMBLY - .750" X 10.0"		x	x	x	x			\$18.28
SGC08123	TINE ASSEMBLY - 1.31" X 8.0" (7/8" MNT)							x	\$22.60
SGT08125	TUBE ASSEMBLY - 1.31" X 8.0"							x	\$30.06
SGC12123	TINE ASSEMBLY - 1.31" X 12.0" (7/8" MNT)							x	\$39.83
SGT12125	TUBE ASSEMBLY - 1.31" X 12.0"							x	\$34.16
SIDE EJECT LONG SHANK									
SGC07625	TINE ASSEMBLY - .687" X 7.0" (12mm L-MNT)	x					x		\$16.21
SGT07625	TUBE ASSEMBLY - .687" X 7.0"	x					x		\$9.75
SGC07750	TINE ASSEMBLY - .813" X 7.0" (12mm L-MNT)	x					x		\$19.42
SGT07750	TUBE ASSEMBLY - .813" X 7.0"	x					x		\$12.38
SGC10755	TINE ASSEMBLY - .750" X 10.0" (12mm L-MNT)	x					x		\$25.34
SGT10750	TUBE ASSEMBLY - .750" X 10.0"	x					x		\$18.28
SGC10813H	TINE ASSEMBLY - .810" X 10.0" (12mm L-MNT)	x					x		\$26.51
SGT10813H	TUBE ASSEMBLY - .810" X 10.0"	x					x		\$19.42
SGC10750	TINE ASSEMBLY - .750" X 10.0" (18mm L-MNT)	x					x	x	\$22.60
SGT10750	TUBE ASSEMBLY - .750" X 10.0"	x					x	x	\$18.28

ProCore SR Series Tines - continued

Part No.	Description	SR48	SR54	SR54-S	SR70	SR70-S	SR72	SR75-HD	Sale Price
SIDE EJECT LONG SHANK									
SGC08100H	TINE ASSEMBLY - 1.06" X 8.0" (18mm L-MNT)	x					x	x	\$31.25
SGT08100H	TUBE ASSEMBLY - 1.06" X 8.0"	x					x	x	\$24.89
SGC10100H	TINE ASSEMBLY - 1.06" X 10.0" (18mm L-MNT)	x					x	x	\$33.61
SGC10100S	TINE ASSEMBLY - 1.00" X 10.0" (18mm L-MNT)	x					x	x	\$27.99
SGC08125	TINE ASSEMBLY - 1.31" X 8.0" (18mm L-MNT)	x					x	x	\$27.99
SGT08125	TUBE ASSEMBLY - 1.31" X 8.0"	x					x	x	\$30.06
SGC12125	TINE ASSEMBLY - 1.31" X 12.0" (18mm L-MNT)	x					x	x	\$39.83
SGT12125	TUBE ASSEMBLY - 1.31" X 12.0"	x					x	x	\$34.16

QUICK REFERENCE GUIDE

TIRES

Greensmaster® - Walkers

Equipment	Description	Tread	Application	Part No.	Sale Price
Transport Wheel Kit	TIRE (12 X 3.25 - 6) 4-PLY	Block	-	65-7940	\$36.33
Transpro Trailer 80 / 100	TIRE (20 X 10 - 8) 4-PLY	Turf Mate	-	99-4506	\$80.95

Greensmaster® - Riders

Equipment	Description	Tread	Application	Part No.	Sale Price
Greensmaster 300	TIRE (18 X 9.5 - 8) 2-PLY	Smooth	Front & Rear	28-3680	\$87.10
Greensmaster 3000	TIRE (18 X 9.5 - 8) 2-PLY	Smooth	Front & Rear	28-3680	\$87.10
	TIRE (18 X 8.5 - 8) 4-PLY	Turf Traction	Front & Rear	119-3516	\$63.53
Greensmaster 3000D	TIRE (18 X 9.5 - 8) 2-PLY	Smooth	Front & Rear	28-3680	\$87.10
	TIRE (18 X 8.5 - 8) 4-PLY	Turf Traction	Front & Rear	119-3516	\$63.53
	TIRE (19 X 10.5 - 8) 2-PLY	Traction	Front & Rear	70-8500	\$82.98
Greensmaster 3050/3100/3150/3200	TIRE (18 X 9.5 - 8) 2-PLY	Smooth	Front & Rear	28-3680	\$87.10
	TIRE (18 X 8.5 - 8) 4-PLY	Turf Traction	Front & Rear	119-3516	\$63.53
Greensmaster 3200D	TIRE (18 X 9.5 - 8) 2-PLY	Smooth	Front & Rear	28-3680	\$87.10
Greensmaster 3250D	TIRE (19 X 10.5 - 8) 2-PLY	Traction	Front & Rear	70-8500	\$82.98
	TIRE (20 X 10 - 8) 4-PLY	Turf Mate	Front & Rear	99-4506	\$80.95
Greensmaster 3300 / 3400	TIRE (19 X 10.5) 4-PLY	Smooth	Front & Rear	120-2783	\$79.98

Reelmaster®

Equipment	Description	Tread	Application	Part No.	Sale Price
Reelmaster 216 / 216D	TIRE (18 X 8.5 - 8) 4-PLY	Turf Traction	Front	119-3516	\$63.53
	TIRE (18 X 6.5 - 8) 4-PLY (2WD)	Turf Traction	Rear	231-122	\$80.99
Reelmaster 2000D/2300D/2600D	TIRE (20 X 10 - 8) 4-PLY	Turf Mate	Front & Rear	99-4506	\$80.95
Reelmaster 3100D	TIRE (20 X 12 - 10) 4-PLY	Turf Trac R/S	Front	117-5125	\$83.00
	TIRE (20 X 10 - 10) 4-PLY	Turf Trac R/S	Front & Rear	115-1572	\$95.30
Reelmaster 3100D (2010 - Current)	TIRE (20 X 12 - 10) 4-PLY	Turf Traction	Front	117-5125	\$83.00
	TIRE (20 X 10 - 10) 4-PLY	Turf Traction	Rear	115-1572	\$95.30
Reelmaster 223D	TIRE (26 X 12 - 12) 4-PLY	Turf Traction	Front	231-134	\$194.98
Reelmaster 5100D/5300D	TIRE (26 X 12 - 12) 4-PLY	Turf Traction	Front	231-134	\$194.98
Reelmaster 5200D/5400D	TIRE (26.5 X 14 - 12) 2-PLY	Ultra Trac	Front	117-5196	\$198.98
	TIRE (20 X 10 - 10) 6-PLY	Turf Traction	Rear	86-5910	\$95.30
Reelmaster 5500D	TIRE (26.5 X 14 - 12) 2-PLY	Ultra Trac	Front	117-5196	\$198.98
	TIRE (20 X 10 - 10) 6-PLY	Turf Traction	Rear	86-5910	\$95.30
Reelmaster 5210	TIRE (24 X 13 - 12) 6-PLY (2006-MID 2008)	Ultra Trac	Front	110-5132	\$179.48
	TIRE (24 X 13 - 12) 4-PLY (MID 2008 & UP)	Ultra Trac	Front	95-2638	\$133.23
	TIRE (20 X 10 - 10) 6-PLY (2006)	Turf Traction	Rear	86-5910	\$95.30
	TIRE (20 X 10 - 10) 4-PLY (2007 & UP)	Turf Trac R/S	Rear	115-1572	\$95.30
Reelmaster 5010-H/5410/5510/5610	TIRE (26.5 X 14 - 12) 2-PLY	Ultra Trac	Front	117-5196	\$198.98
	TIRE (20 X 12 - 10) 4-PLY	Turf Trac R/S	Rear	117-5125	\$83.00
	TIRE (20 X 12 - 10) 4-PLY	Smooth	Rear	127-2796 [†]	\$86.08
	TIRE (26.5 X 14 - 12) 4-PLY	Smooth	Front	133-2940 [†]	\$183.45
Reelmaster 6500D/6700D	TIRE (29 X 14 - 15) 6-PLY	Ultra Trac	Front	95-3465	\$244.95
	TIRE (29 X 14 - 15) 6-PLY	Ultra Trac	Front	95-3465	\$244.95
	TIRE (20 X 10 - 10) 6-PLY	Turf Traction	Rear	86-5910	\$95.30
Reelmaster 450D/4500D	TIRE (31 X 13.5 - 15) 4-PLY	Turf Traction	Front	63-4480	\$230.60
	TIRE (23 X 10.5 - 12) 6-PLY	Turf Traction	Rear	69-9880	\$139.98
Reelmaster 335D	TIRE (23 X 10.5 - 12) 6-PLY	Turf Traction	Front	69-9880	\$139.98
	TIRE (20 X 8 - 10) 6-PLY	Turf Traction	Rear	74-5560	\$86.98
Reelmaster 3500D	TIRE (20 X 10 - 10) 6-PLY	Turf Traction	Rear	86-5910	\$95.30
Reelmaster 3550D/3555/3575	TIRE (22 X 12 - 12) 4-PLY	Smooth	Front & Rear	120-2114	\$115.80
	TIRE (22 X 12 - 12) 4-PLY	Turf Traction	Front & Rear	121-7924	\$308.33
Reelmaster 4000D	TIRE (31 X 13.5 - 15) 4-PLY	Turf Traction	Front	63-4480	\$230.60
	TIRE (23 X 10.5 - 12) 6-PLY	Turf Traction	Rear	69-9880	\$139.98
Reelmaster 7000D	TIRE (20 X 12 - 10) 4-PLY	Turf Traction	Rear	117-5125	\$83.00
	TIRE (31 X 13.5 - 15) 4-PLY	Turf Traction	Front	63-4480	\$230.60

[†]Recommended for flat turf conditions

*Not illustrated. **Not sold separately. See pages 12-25 for kit contents. Prices subject to change without notice. Please see your Parts Catalog or Master Parts Viewer to ensure the correct part is ordered, as the part you need may not be listed above. toro.com/parts

QUICK REFERENCE GUIDE

TIRES

Gangmower

Equipment	Description	Tread	Application	Part No.	Sale Price
Reelmaster Transport Frame	TIRE (11 - 15) 6-PLY	Ribbed	-	56-7960	\$148.60
Reelmaster Reel	TIRE (16 X 4 - 12) SEMI-PNEUMATIC	Chevron	-	12-9390	\$56.98
	TIRE (16 X 4.8 - 8) 2-PLY PNEUMATIC	Stud	-	231-3	\$33.80
	TIRE (18 X 4 - 12) SEMI-PNEUMATIC	Chevron	-	51-2550	\$111.64

Groundsmaster®

Equipment	Description	Tread	Application	Part No.	Sale Price
Groundsmaster 52/62/220	TIRE (20 X 8 - 10) 4-PLY	Turf Traction	Front	231-103	\$71.50
Groundsmaster 220D	TIRE (23 X 8.5 - 12) 4-PLY	Turf Traction	Front	231-101	\$108.98
	TIRE (23 X 10.5 - 12) 4-PLY - WIDE WHEEL OPT.	Turf Saver	Front	231-95	\$104.98
	TIRE (16 X 6.5 - 8) 4-PLY RIBBED (2WD)	Ribbed	Rear	231-105	\$46.10
Groundsmaster 223D	TIRE (23 X 8.5 - 12) 4-PLY (STANDARD)	Turf Traction	Front	231-101	\$108.98
	TIRE (23 X 10.5 - 12) 4-PLY - WIDE WHEEL OPT.	Turf Saver	Front	231-95*	\$104.98
	TIRE (23 X 10.5 - 12) 6-PLY - WIDE WHEEL OPT.	Turf Traction	Front	69-9880*	\$139.98
	TIRE (16 X 6.5 - 8) 4-PLY RIBBED (2WD)	Ribbed	Rear	231-105	\$46.10
	TIRE (18 X 6.5 - 8) 4-PLY (4WD)	Turf Traction	Rear	231-122	\$80.99
Groundsmaster 224/225	TIRE (23 X 8.5 - 12) 4-PLY (224 STANDARD)	Turf Traction	Front	231-101	\$108.98
	TIRE (23 X 8.5 - 12) 4-PLY (225 STANDARD)	Turf Traction	Front	95-3348	\$108.98
	TIRE (23 X 10.5 - 12) 4-PLY - WIDE WHEEL OPT.	Turf Saver	Front	231-95*	\$104.98
	TIRE (23 X 10.5 - 12) 6-PLY - WIDE WHEEL OPT.	Turf Traction	Front	69-9880*	\$139.98
	TIRE (16 X 6.5 - 8) 4-PLY	Ribbed	Rear	231-105	\$46.10
Groundsmaster 228D	TIRE (23 X 8.5 - 12) 4-PLY (STANDARD)	Turf Traction	Front	95-3348	\$108.98
	TIRE (23 X 8.5 - 12) 6-PLY	Turf Traction	Front	231-138	\$108.98
	TIRE (16 X 6.5 - 8) 4-PLY (2WD)	Ribbed	Rear	231-105	\$46.10
	TIRE (18 X 6.5 - 8) 4-PLY (4WD)	Turf Traction	Rear	231-122	\$80.99
Groundsmaster 322D/325D	TIRE (23 X 8.5 - 12) 4-PLY (STANDARD)	Turf Traction	Front	231-101	\$108.98
	TIRE (23 X 8.5 - 12) 6-PLY	Turf Traction	Front	231-138	\$108.98
	TIRE (23 X 10.5 - 12) 4-PLY - WIDE WHEEL OPT.	Turf Saver	Front	231-95*	\$104.98
	TIRE (23 X 10.5 - 12) 6-PLY - WIDE WHEEL OPT.	Turf Traction	Front	69-9880*	\$139.98
	TIRE (16 X 6.5 - 8) 4-PLY RIBBED (2WD)	Ribbed	Rear	231-105	\$46.10
	TIRE (18 X 6.5 - 8) 4-PLY (4WD)	Turf Traction	Rear	231-122	\$80.99
Groundsmaster 327	TIRE (23 X 8.5 - 12) 4-PLY (STANDARD)	Turf Traction	Front	231-101	\$108.98
	TIRE (23 X 10.5 - 12) 4-PLY - WIDE WHEEL OPT.	Turf Saver	Front	231-95*	\$104.98
	TIRE (23 X 10.5 - 12) 6-PLY - WIDE WHEEL OPT.	Turf Traction	Front	69-9880*	\$139.98
	TIRE (16 X 6.5 - 8) 4-PLY	Ribbed	Rear	231-105	\$46.10
Groundsmaster 328D	TIRE (23 X 8.5 - 12) 4-PLY (STANDARD)	Turf Traction	Front	95-3348	\$108.98
	TIRE (23 X 10.5 - 12) 4-PLY - WIDE WHEEL OPT.	Turf Saver	Front	231-95*	\$104.98
	TIRE (23 X 10.5 - 12) 6-PLY - WIDE WHEEL OPT.	Turf Traction	Front	69-9880*	\$139.98
	TIRE (16 X 6.5 - 8) 4-PLY (2WD)	Ribbed	Rear	231-105	\$46.10
	TIRE (18 X 6.5 - 8) 4-PLY (4WD)	Turf Traction	Rear	231-122	\$80.99
Groundsmaster 345	TIRE (23 X 8.5 - 12) 4-PLY (STANDARD)	Turf Traction	Front	95-3348	\$108.98
	TIRE (23 X 10.5 - 12) 4-PLY - WIDE WHEEL OPT.	Turf Saver	Front	231-95*	\$104.98
	TIRE (23 X 10.5 - 12) 6-PLY - WIDE WHEEL OPT.	Turf Traction	Front	69-9880*	\$139.98
	TIRE (16 X 6.5 - 8) 4-PLY	Ribbed	Rear	231-105	\$46.10
Groundsmaster 360	TIRE (23 X 10.5 - 12) 6-PLY	Turf Trac	Front & Rear	121-9072	\$96.33
Groundsmaster 455D	TIRE (26 X 12 - 12) 6-PLY	Multi Trac C/S	Front	126-8033	\$152.70
	TIRE (20 X 10 - 10) 6-PLY	Turf Traction	Rear	86-5910	\$95.30
	TIRE (20 X 10 - 10) 6-PLY	Multi Trac C/S	Rear	94-5236	\$113.75
Groundsmaster 580D	TIRE (31 X 13.5 - 15) 8-PLY (STANDARD)	Turf Traction	Front	69-9800	\$279.80
	TIRE (23 X 10.5 - 12) 6-PLY	Turf Traction	Rear	69-9880	\$139.98
Groundsmaster 3000 3000D	TIRE (25 X 10.5 - 15) 6-PLY	Turf Trac R/S	Front	93-5431	\$179.98
	TIRE (26.5 X 14 - 12) 2-PLY - WIDE WHEEL OPT.	Ultra Trac	Front	117-5196	\$198.98
	TIRE (24 X 13 - 12) 4-PLY	Ultra Trac	Front	95-2638	\$133.23
	TIRE (20 X 8 - 10) 6-PLY	Turf Traction	Rear	74-5560	\$86.98
	TIRE (18 X 8.5 - 10) 4-PLY	Multi Trac C/S	Rear	95-2625	\$76.85
Groundsmaster 3500D / 3505D	TIRE (20 X 12 - 10) 4-PLY	Turf Trac R/S	Front	117-5125	\$83.00
	TIRE (20 X 10 - 10) 4-PLY	Turf Trac R/S	Rear	115-1572	\$95.30

*Do not use with 72" rear discharge cutting deck

*Not illustrated. **Not sold separately. See pages 12-25 for kit contents. Prices subject to change without notice. Please see your Parts Catalog or Master Parts Viewer to ensure the correct part is ordered, as the part you need may not be listed above. toro.com/parts

QUICK REFERENCE GUIDE

TIRES

Groundsmaster® - continued

Equipment	Description	Tread	Application	Part No.	Sale Price
Groundsmaster 3280D	TIRE (23 X 9.5 - 12) 4-PLY	Multi Trac C/S	Front	117-0823	\$107.60
	TIRE (23 X 10.5 - 12) 4-PLY - WIDE WHEEL OPT.	Turf Saver	Front	231-95	\$104.98
	TIRE (23 X 10.5 - 12) 6-PLY - WIDE WHEEL OPT.	Turf Traction	Front	69-9880	\$139.98
	TIRE (16 X 6.5 - 8) 4-PLY (2WD)	Ribbed	Rear	231-105	\$46.10
	TIRE (18 X 6.5 - 8) 4-PLY (4WD)	Turf Traction	Rear	231-122	\$80.99
Groundsmaster 3320	TIRE (23 X 9.5 - 12) 4-PLY	Multi Trac C/S	Front	117-0823	\$107.60
	TIRE (23 X 10.5 - 12) 4-PLY - WIDE WHEEL OPT.	Turf Saver	Front	231-95	\$104.98
	TIRE (23 X 10.5 - 12) 6-PLY - WIDE WHEEL OPT.	Turf Traction	Front	69-9880	\$139.98
	TIRE (16 X 6.5 - 8) 4-PLY	Ribbed	Rear	231-105	\$46.10
	TIRE (26 X 12 - 12) 6-PLY	Multi Trac C/S	Front	126-8033	\$152.70
Groundsmaster 4000D / 4100D	TIRE (20 X 10 - 10) 6-PLY	Multi Trac C/S	Rear	94-5236	\$113.75
	TIRE (26 X 12 - 12) 6 PLY	Multi Trac C/S	Front	119-8313	\$133.23
	TIRE (26 X 12 - 12) 6 PLY	High Traction	Front	136-4442	\$142.45
	TIRE (20 X 10 - 10) 6 PLY	High Traction	Rear	136-4440	\$106.84
	TIRE (26.5 X 14 - 12) 2-PLY	Ultra Trac	Front	117-5196	\$198.98
Groundsmaster 4300D	TIRE (20 X 12 - 10) 4-PLY	Turf Trac R/S	Rear	117-5125	\$83.00
	TIRE (29 X 14 - 15) 6-PLY	Ultra Trac	Front	95-3465	\$244.95
Groundsmaster 4500D / 4700D	TIRE (20 X 12 - 10) 4-PLY	Turf Trac R/S	Rear	117-5125	\$83.00
	TIRE (29 X 14 - 15) 6-PLY	Turf	Front	119-0023	\$244.95
	TIRE (29 X 12.5 - 15) 10-PLY	Multi Trac C/S	Front	114-4861	\$304.40
Groundsmaster 5900 / 5910	TIRE (23 X 10.5 - 12) 6-PLY	Multi Trac C/S	Rear	121-9072	\$96.33
	TIRE (24 X 12 - 12) 6-PLY	Lug	Rear	103-6771	\$208.99

Aerator

Equipment	Description	Tread	Application	Part No.	Sale Price
Hydroject 3000/3010	TIRE (18 X 9.5 - 8) 2-PLY	Smooth	Front	28-3680	\$87.10
	TIRE (18 X 9.5 - 8) 2-PLY	Smooth	Rear	28-3680	\$87.10
Hydroject 4000 (Tongue Hitch)	TIRE (16 X 6.5 - 8) 4-PLY	Ribbed	-	231-105	\$46.10
Hydrotote Trailer	TIRE (15 X 6 - 6) 2-PLY	Ribbed	-	108-9955	\$35.85
ProCore 648 Aerator	TIRE (19 X 10.5 - 8) 2-PLY	Traction	Front	70-8500	\$82.98
	TIRE (19 X 10.5 - 8) 2-PLY	Traction	Rear	70-8500	\$82.98
ProCore Processor		Turf Traction	-	114-7741	\$65.70

Workman®

Equipment	Description	Tread	Application	Part No.	Sale Price
Workman 1100	TIRE (20 X 10 - 8) 4-PLY (2001-2003)	Turf Trac	Front	99-7300	\$76.85
	TIRE (22 X 9.5 - 10) 4-PLY (2004-2005)	Turf Trac	Front & Rear	127-7435	\$99.40
	TIRE (22.5 X 10 - 8) 4-PLY (2001-2003)	Turf Trac R/S	Rear	108-7007	\$106.98
Workman MD / MDE	TIRE (22 X 9.5 - 10) 4-PLY	Turf Trac	Front & Rear	127-7435	\$99.40
Workman 2100	TIRE (22 X 9.5 - 10) 4-PLY (2004-2005)	Turf Trac	Front & Rear	127-7435	\$99.40
	TIRE (22.5 X 10 - 8) 4-PLY (1999-2003)	Turf Trac R/S	Rear	108-7007	\$106.98
Workman 2110	TIRE (22 X 9.5 - 10) 4-PLY	Turf Trac R/S	Front	104-7064	\$109.65
	TIRE (24 X 12 - 10) 4-PLY	Turf Trac R/S	Rear	131-6667	\$124.00
	TIRE (24 X 12 - 10) 4-PLY	Turf Trac R/S	Rear	131-6667	\$124.00
	TIRE (22 X 9.5 - 10) 4-PLY	Multi Trac C/S	Front & Rear	127-7435	\$99.40
	TIRE (22.5 X 10 - 8) 4-PLY	Turf Trac R/S	Front & Rear	108-7007	\$106.98
	TIRE (20 X 10 - 8) 4-PLY	Turf	Front & Rear	131-8318	\$75.83
Workman GTX	TIRE (22 X 9.5 - 10) 4-PLY	Turf Trac	Front	127-7435	\$99.40
	TIRE (24 X 12 - 10) 4-PLY	Turf Trac R/S	Rear	131-6667	\$124.00
Workman Series 3000 4000	TIRE (20 X 10 - 10) 4-PLY	Ribbed	Front	94-5261	\$100.43
	TIRE (20 X 10 - 10) 6-PLY (4WD)	Multi Trac C/S	Front	94-5236	\$113.75
	TIRE (20 X 10 - 10) 6-PLY	Chevron	Front	112-3163	\$107.48
	TIRE (23 X 10.5 - 12) 4-PLY	Turf Trac R/S	Rear	87-3290	\$102.48
	TIRE (24 X 13 - 12) 6-PLY (1993-2001)	Chevron	Rear	110-5132	\$179.48

QUICK REFERENCE GUIDE

TIRES

Workman® - continued

Equipment	Description	Tread	Application	Part No.	Sale Price
Workman HD / HDX HDX-D / HDX-Auto	TIRE (20 X 9 - 12) 6-PLY	Tuff Trac	Front	131-6670	\$117.85
	TIRE (24 X 12 - 12) 6-PLY	Multi Trac C/S	Rear	131-6673	\$145.53
	TIRE (24 X 13 - 12) 6-PLY	Ultra Trac	Rear	110-5132	\$179.48
	TIRE (23 X 10.5 - 12) 4-PLY	Saw Tooth	Rear	99-1091	\$111.70
Workman Boom Enclosure	TIRE (15 X 6 - 6) 2-PLY	Ribbed	-	108-9955	\$35.85
Workmaster	TIRE (18 X 8.5 - 8) 4-PLY	Ribbed	Front	119-6343	\$78.90
	TIRE (23 X 8.5 - 12) 4-PLY	Turf Traction	Rear	231-101	\$108.98

Multi Pro®

Equipment	Description	Tread	Application	Part No.	Sale Price
Multi Pro 1100 / 1200 / 1250	TIRE (18 X 9.5 - 8) 4-PLY	Smooth	Front	110-5133	\$70.70
	TIRE (18 X 9.5 - 8) 4-PLY	Ribbed	Front	106-9691	\$65.58
	TIRE (24 X 13 - 12) 6-PLY	Ultra Trac	Rear	110-5132	\$179.48
Multi Pro 1750	Tire (20 x 10 - 10) 4-Ply	Smooth	Front	120-7639	\$123.89
	Tire (24 x 13 - 12) 6-Ply	Turf	Rear	110-5132	\$179.48
Multi Pro 5200 / 5500 / 5600 / 5700D	TIRE (23 X 10.5 - 12) 4-PLY	Turf Trac R/S	Front	87-3290	\$102.48
	TIRE (26.5 X 14 - 12) 2-PLY	Ultra Trac	Rear	117-5196	\$198.98
Multi Pro 5800D	TIRE (22 X 12 - 12) 4-PLY	Smooth	Front	120-2114	\$115.80
	TIRE (26.5 X 14 - 12) 6-PLY	Turf	Rear	133-2724	\$183.45
	TIRE (23 X 10.5 - 12) 4-PLY	Turf Trac	Front	119-6021	\$99.40
	TIRE (26.5 X 14 - 12) 2-PLY	Turf Trac	Rear	117-5196	\$198.98
Multi Pro Boom Enclosure	TIRE (15 X 6 - 6) 2-PLY	Ribbed	-	108-9955	\$35.85

Specialty Turf Equipment

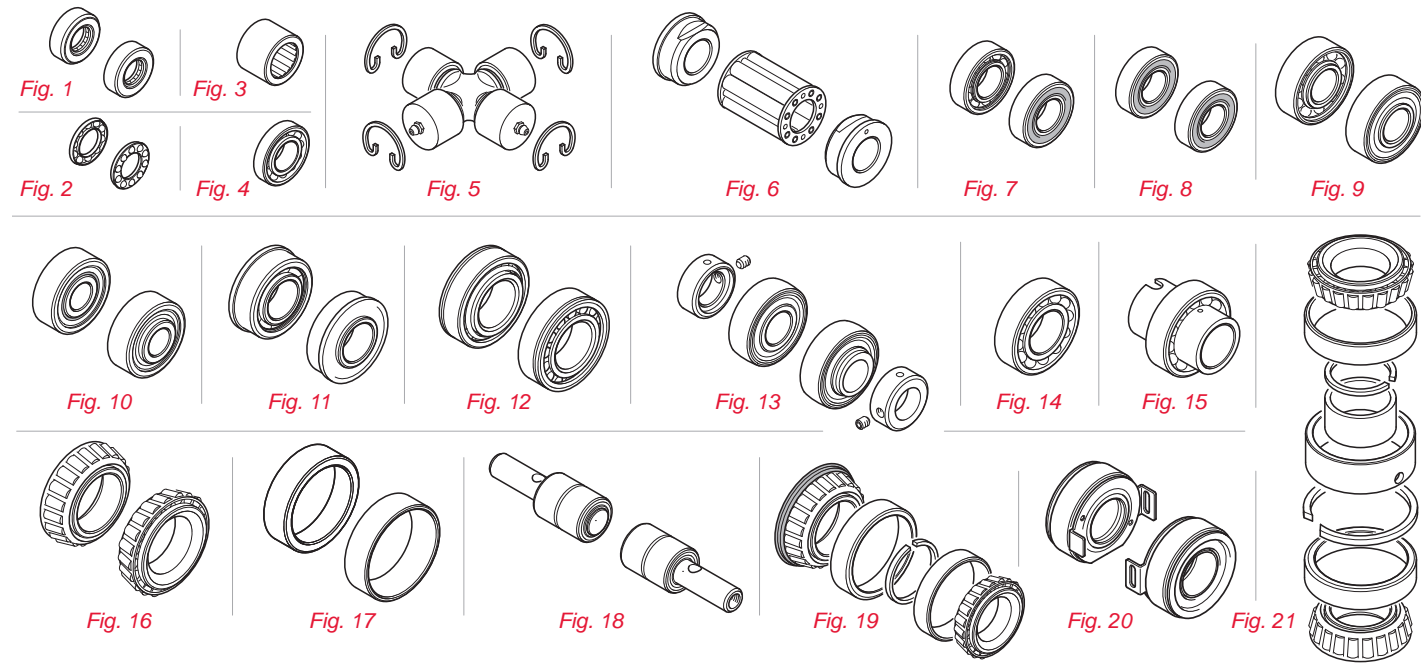
Equipment	Description	Tread	Application	Part No.	Sale Price
Rak-0-Vac Sweeper	TIRE (11L-15SL)	Ribbed	-	119-6225	\$148.36
Turf Sweeper 4800	TIRE (18 X 8.5 - 8) 4-PLY	Ribbed	Front	119-6343	\$78.90
	TIRE (18 X 9.5 - 8) 4-PLY	Turf Traction	Rear	120-6451	\$99.99
Debris Blower 800	TIRE (20 X 10 - 8) 4-PLY	Turf Trac R/S	-	99-7300	\$76.85
Pro Force Debris Blower	TIRE (18.2 X 8.5 - 8) 4-PLY	Turf Traction	-	119-3009	\$67.32
Topdresser 2300	TIRE (18 X 8.5 - 8) 4-PLY	Ribbed	-	119-6343	\$78.90
Topdresser 2500	TIRE (18 X 9.5 - 8) 4-PLY	Multi Ribbed	-	106-9691	\$65.58
300T Trailer Sprayer	TIRE (29 X 14 - 15) 6-PLY	Ultra Trac	-	95-3465	\$244.95
ProCore Core Processor	TIRE (18 X 9.5 - 8) 6-PLY	Turf Traction	-	114-7741	\$65.70

Sand Pro® / Infield Pro

Equipment	Description	Tread	Application	Part No.	Sale Price
Sand Pro	TIRE (22 X 11 - 8) 2-PLY	Knobby	Front & Rear	85-8290	\$89.15
Sand Pro 2000	TIRE (22 X 11 - 8) 2-PLY	Knobby	Front & Rear	85-8290	\$89.15
Sand Pro 2020 / 3000 / 3020 / 5000 / 5020	TIRE (22 X 11 - 8) 2-PLY	Knobby	Front & Rear	85-8290	\$89.15
	TIRE (22 X 11 - 8) 2-PLY	Turf Trac R/S	Front & Rear	121-9072	\$96.33
Sand/Infield Pro 3040 / 5040	TIRE (22 X 11 - 8) 2-PLY	Knobby	Front & Rear	85-8290	\$89.15
	TIRE (22 X 11 - 8) 2-PLY	Turf Trac R/S	Front & Rear	121-9072	\$96.33
	TIRE (22 X 11 - 8) 2-PLY	Smooth	Front & Rear	110-3364	\$120.91
	TIRE (16 X 7.5 - 8) 4-PLY	Turf Traction	Front	125-6406	\$54.30
Sand Pro 2040Z	TIRE (25 X 12 - 9) 3-PLY	Turf Traction	Rear	125-6465	\$128.10
GreensPro® 1200	TIRE (16 X 6.5-8) 4-PLY	Turf	-	111-5755	\$104.98

QUICK REFERENCE GUIDE

BEARINGS



Greensmaster® - Walkers

Equipment	Application	Fig. No.	Component	Year	Description	Part No.	Sale Price
Greensmaster 800 1000 1600 2000 2600	<i>Cutting Unit</i>	14	Reel	All	BALL BEARING ASSEMBLY - DUAL ROW	251-342	\$20.20
		19	Front Roller	All	BEARING & SHAFT ASSEMBLY	52-3180	\$22.75
		7	Groomer Reel Shaft	All	BALL BEARING ASSEMBLY - OUTER SEAL ONLY	251-327	\$14.96
		7	Groomer Drive Belt Idler	All	BALL BEARING ASSEMBLY - OUTER SEAL ONLY	251-328	\$14.03
		7	Reel Drive Clutch Housing	1993 & Up	BALL BEARING ASSEMBLY - OUTER SEAL ONLY	251-318	\$11.56
	<i>Traction Unit</i>	8	Reel Drive Clutch	All	BALL BEARING ASSEMBLY - SEALED	251-336	\$21.23
		14	Countershaft Support	All	BALL BEARING ASSEMBLY - DUAL ROW	251-338	\$22.59
		8	Idler Pulleys	All	BALL BEARING ASSEMBLY - SEALED	38-7820	\$4.00
		14	Drum Drive Shaft	All	BALL BEARING ASSEMBLY - DUAL ROW	251-338	\$22.59
		7	Drum Spindle/Hub	1990-99	BALL BEARING ASSEMBLY - OUTER SEAL ONLY	251-257	\$8.56
8		Drum Spindle/Hub	2000 & Up	BALL BEARING ASSEMBLY - SEALED	251-82	\$13.40	
13		Drum - Outer Shaft Bearing	1993 & Up	BALL BEARING ASSEMBLY - SELF ALIGNING	88-7880	\$16.72	
Greensmaster Flex 1800 2100		<i>Cutting Unit</i>	14	Reel	All	BALL BEARING ASSEMBLY - DUAL ROW	251-342
	8		Roller	All	BALL BEARING ASSEMBLY - SEALED	251-347	\$6.83
	8		Groomer Drive Belt Idler	All	BALL BEARING ASSEMBLY - SEALED	251-259	\$9.65
	*		Groomer Drive	All	BEARING - RH REVERSE GROOMER	106-4237	\$9.01
eFlex 1800 2100	<i>Traction Unit</i>	8	Reel Drive Shaft	All	BALL BEARING ASSEMBLY - SEALED	251-336	\$21.23
		13	Drum Drive Shaft	2001-04	BALL BEARING - SELF ALIGNING W/COLLAR	104-0538	\$30.75
		13	Drum Drive Shaft	2005 & Up	BALL BEARING - SELF ALIGNING W/COLLAR	106-8448	\$41.85
Trans Pro 80 100	<i>Trailer</i>	16	Wheel - Inner/Outer Bearing	All	ROLLER BEARING ASSEMBLY - TAPERED CONE	254-92	\$8.77
		17	Wheel - Inner/Outer Bearing	All	BEARING RACE - TAPERED CUP	254-72	\$3.22

QUICK REFERENCE GUIDE

BEARINGS

Greensmaster® - Riders

Equipment	Application	Fig. No.	Component	Year	Description	Part No.	Sale Price	
Greensmaster 3300 Style Cutting Units*	<i>4-Bolt</i>	18	Front Roller	1974 & Up	BEARING & SHAFT ASSEMBLY	21-6410	\$18.10	
		19	Rear Roller	1974 & Up	BEARING & SHAFT ASSEMBLY	52-3180	\$22.75	
	<i>Spiker</i> <i>4 Bolt & SPA</i>	18	Front & Rear Rollers	1974 & Up	BEARING & SHAFT ASSEMBLY	21-6410	\$18.10	
		16	Reel	All	ROLLER BEARING ASSEMBLY - TAPERED CONE	254-94	\$5.99	
		17	Reel	All	BEARING RACE - TAPERED CUP	254-72	\$3.22	
		2	Reel Adjustment Knob	1985-86	THRUST BEARING CAGE ASSEMBLY	257-6	\$1.99	
		19	Front & Rear Rollers	All	BEARING & SHAFT ASSEMBLY	52-3180	\$22.75	
		7	Roller Brush Kit Rear Roller	All	BALL BEARING ASSEMBLY - OUTER SEAL ONLY	85-9970	\$7.16	
		<i>Groomer</i>	7	Groomer Reel Drive	All	BALL BEARING ASSEMBLY - OUTER SEAL ONLY	251-327	\$14.96
			7	Groomer Drive Shaft	All	BALL BEARING ASSEMBLY - OUTER SEAL ONLY	251-327	\$14.96
7	Groomer Drive Belt Idler		All	BALL BEARING ASSEMBLY - OUTER SEAL ONLY	251-328	\$14.03		
Greensmaster 3200 Style Cutting Units*	<i>4-Bolt & SPA</i>	14	Reel	1995-00	BALL BEARING ASSEMBLY - DUAL ROW	93-2489	\$17.61	
		9	Front Roller	All	BALL BEARING ASSEMBLY - OUTER SEAL ONLY	93-2559	\$10.92	
	<i>Spiker</i>	18	Wiehle Front Roller	All	BEARING & SHAFT ASSEMBLY	75-1290	\$18.48	
		9	Rear Roller	1995-98	BALL BEARING ASSEMBLY - OUTER SEAL ONLY	93-2559	\$10.92	
		7	Rear Roller	1999-00	BALL BEARING ASSEMBLY - OUTER SEAL ONLY	85-9970	\$7.16	
		13	Rear Roller Brush Shaft	All	BALL BEARING - SELF ALIGNING W/COLLAR	98-5208	\$25.54	
		4	Rear Roller Brush Drive Shaft	All	BALL BEARING ASSEMBLY - SINGLE ROW	98-5215	\$8.74	
		<i>Groomer</i>	14	Groomer Reel Drive	All	BALL BEARING ASSEMBLY - SINGLE ROW	251-336	\$21.23
			8	Groomer Drive Shaft	All	BALL BEARING ASSEMBLY - SEALED	95-0707	\$21.61
			7	Groomer Drive Belt Idler	All	BALL BEARING ASSEMBLY - OUTER SEAL ONLY	38-7820	\$4.00
<i>Dethatcher</i> <i>Spiker</i> <i>Tri-Roller</i>	7	Front Roller	1997 & Up	BALL BEARING ASSEMBLY - OUTER SEAL ONLY	85-9970	\$7.16		
	9	Rear Roller	All	BALL BEARING ASSEMBLY - OUTER SEAL ONLY	93-2559	\$10.92		
	9	Rear Roller	All	BALL BEARING ASSEMBLY - OUTER SEAL ONLY	93-2559	\$10.92		
Greensmaster 3050 Style Cutting Units*	<i>4-Bolt & SPA</i>	14	Reel	2001	BALL BEARING ASSEMBLY - DUAL ROW	93-2489	\$17.61	
		14	Reel	2002-03	BALL BEARING ASSEMBLY - DUAL ROW	105-3827	\$20.53	
	<i>Spiker</i> <i>Tri-Roller</i>	19	Front Roller	All	BEARING & SHAFT ASSEMBLY	52-3180	\$22.75	
		7	Rear Roller	All	BALL BEARING ASSEMBLY - OUTER SEAL ONLY	85-9970	\$7.16	
		13	Rear Roller Brush Shaft	All	BALL BEARING - SELF ALIGNING W/COLLAR	98-5208	\$25.54	
		4	Rear Roller Brush Drive Shaft	All	BALL BEARING ASSEMBLY - SINGLE ROW	98-5215	\$8.74	
		<i>Groomer</i>	14	Groomer Reel	All	BALL BEARING ASSEMBLY - SINGLE ROW	95-0707	\$21.61
			8	Groomer Drive Shaft	All	BALL BEARING ASSEMBLY - SEALED	251-336	\$21.23
			7	Groomer Drive Belt Idler	All	BALL BEARING ASSEMBLY - OUTER SEAL ONLY	38-7820	\$4.00
		<i>Spiker</i> <i>Tri-Roller</i>	9	Rear Roller	All	BALL BEARING ASSEMBLY - OUTER SEAL ONLY	93-2559	\$10.92
9	Rear Roller		All	BALL BEARING ASSEMBLY - OUTER SEAL ONLY	93-2559	\$10.92		
Greensmaster DPA Cutting Units*	<i>DPA</i>	14	Reel	2003-06	BALL BEARING ASSEMBLY - DUAL ROW	93-2489	\$17.61	
		8	Roller	All	BALL BEARING ASSEMBLY - SEALED	251-347	\$6.83	
		13	Rear Roller Brush Shaft	All	BALL BEARING - SELF ALIGNING W/COLLAR	132-6979	\$22.06	
		8	Roller Brush Drive Belt Idler	All	BALL BEARING ASSEMBLY - SEALED	251-259	\$9.65	
		8	Groomer Drive Belt Idler	All	BALL BEARING ASSEMBLY - SEALED	251-259	\$9.65	
Greensmaster 300	<i>Traction Unit</i>	9	Pull Frame Roller	All	BALL BEARING ASSEMBLY - OUTER SEAL ONLY	133-2378	\$16.42	
		16	Rear Wheel	All	ROLLER BEARING ASSEMBLY - TAPERED CONE	254-78	\$5.20	
		17	Rear Wheel	All	BEARING RACE - TAPERED CUP	254-79	\$2.57	
Greensmaster 3000 3000D	<i>Traction Unit</i>	9	Pull Frame Roller	All	BALL BEARING ASSEMBLY - OUTER SEAL ONLY	133-2378	\$16.42	
		16	Rear Wheel	All	ROLLER BEARING ASSEMBLY - TAPERED CONE	254-78	\$5.20	
		17	Rear Wheel	All	BEARING RACE - TAPERED CUP	254-79	\$2.57	
Greensmaster 3050	<i>Traction Unit</i>	9	Pull Frame Roller	All	BALL BEARING ASSEMBLY - OUTER SEAL ONLY	133-2378	\$16.42	
		16	Rear Wheel	All	ROLLER BEARING ASSEMBLY - TAPERED CONE	254-78	\$5.20	
		17	Rear Wheel	All	BEARING RACE - TAPERED CUP	254-79	\$2.57	
Greensmaster 3100D	<i>Traction Unit</i>	9	Pull Frame Roller	All	BALL BEARING ASSEMBLY - OUTER SEAL ONLY	133-2378	\$16.42	
		16	2WD Rear Wheel	All	ROLLER BEARING ASSEMBLY - TAPERED CONE	254-78	\$5.20	
		17	2WD Rear Wheel	All	BEARING RACE - TAPERED CUP	254-79	\$2.57	
Greensmaster 3150	<i>Traction Unit</i>	9	Pull Frame Roller	All	BALL BEARING ASSEMBLY - OUTER SEAL ONLY	133-2378	\$16.42	
		8	Neutral Centering Device	All	BALL BEARING ASSEMBLY - SEALED	251-259	\$9.65	
		8	Traction Function Lever	All	BALL BEARING ASSEMBLY - SEALED	251-259	\$9.65	
		16	Rear Wheel	All	ROLLER BEARING ASSEMBLY - TAPERED CONE	254-78	\$5.20	
		17	Rear Wheel	All	BEARING RACE - TAPERED CUP	254-79	\$2.57	
Greensmaster 3200 3200D	<i>Traction Unit</i>	8	Neutral Arm	All	BALL BEARING ASSEMBLY - SEALED	251-259	\$9.65	
		8	Traction Function Lever	All	BALL BEARING ASSEMBLY - SEALED	251-259	\$9.65	
		16	Rear Wheel	All	ROLLER BEARING ASSEMBLY - TAPERED CONE	254-78	\$5.20	
		17	Rear Wheel	All	BEARING RACE - TAPERED CUP	254-79	\$2.57	

QUICK REFERENCE GUIDE

BEARINGS

Greensmaster[®] - Riders - continued

Equipment	Application	Fig. No.	Component	Year	Description	Part No.	Sale Price
Greensmaster 3250D	<i>Traction Unit</i>	8	Neutral Centering Device	All	BALL BEARING ASSEMBLY - SEALED	251-259	\$9.65
		8	Traction Function Lever	All	BALL BEARING ASSEMBLY - SEALED	251-259	\$9.65
		16	Rear Wheel	All	ROLLER BEARING ASSEMBLY - TAPERED CONE	254-78	\$5.20
		17	Rear Wheel	All	BEARING RACE - TAPERED CUP	254-79	\$2.57
Greensmaster 3300	<i>Cutting Unit</i>	8	Rear Rollers	All	BALL BEARING ASSEMBLY - SEALED	251-347	\$6.83
		*	Groomer Drive	All	BEARING - RH REVERSE GROOMER	106-4237	\$9.01
3320							
3400	<i>Traction Unit</i>	8	Neutral Centering Device	All	BALL BEARING ASSEMBLY - SEALED	251-259	\$9.65
3420		17	Rear Wheel	All	BEARING RACE - TAPERED CUP	254-72	\$3.22

*Greensmaster cutting units can be attached to a variety of Greensmaster traction units. Use the Greensmaster Cutting Unit Reference Chart to help recognize cutting units by name.

Reelmaster[®]

Equipment	Application	Fig. No.	Component	Year	DESCRIPTION	Part No.	Sale Price
Reelmaster 216	<i>Cutting Unit</i>	16	Rear Wheel	All	ROLLER BEARING ASSEMBLY - TAPERED CONE	254-94	\$5.99
		13	Reel	1987-88	BALL BEARING ASSEMBLY - SELF ALIGNING	71-1360	\$16.77
		13	Reel	1989 & Up	BALL BEARING ASSEMBLY - SELF ALIGNING	251-331	\$27.38
		2	Reel Adjustment Knob	All	THRUST BEARING CAGE ASSEMBLY	257-6	\$1.99
		17	Front & Rear Rollers	All	BEARING RACE - TAPERED CUP	254-79	\$2.57
		16	Front & Rear Rollers	All	ROLLER BEARING ASSEMBLY - TAPERED CONE	254-78	\$5.20
216D	<i>Traction Unit</i>	8	Neutral Centering Device	All	BALL BEARING ASSEMBLY - SEALED	251-259	\$9.65
		11	2 WD Rear Wheel	All	BALL BEARING ASSEMBLY - FLANGED	251-321	\$13.24
		13	Reel	All	BALL BEARING ASSEMBLY - SELF ALIGNING	251-331	\$27.38
		2	Reel Adjustment Knob	All	THRUST BEARING CAGE ASSEMBLY	257-6	\$1.99
Grounds Pro 2000	<i>Cutting Unit</i>	16	Front & Rear Rollers	All	ROLLER BEARING ASSEMBLY - TAPERED CONE	254-78	\$5.20
		17	Front & Rear Rollers	All	BEARING RACE - TAPERED CUP	254-79	\$2.57
		8	Neutral Centering Device	All	BALL BEARING ASSEMBLY - SEALED	251-259	\$9.65
		11	3 Wheeled Axle - Rear Wheel	All	BALL BEARING ASSEMBLY - FLANGED	251-321	\$13.24
2000D	<i>Traction Unit</i>	17	Reel	All	BALL BEARING ASSEMBLY - SELF ALIGNING	100-4926	\$18.74
		17	Front & Rear Rollers	All	BEARING RACE - TAPERED CUP	254-79	\$2.57
		16	Front & Rear Rollers	All	ROLLER BEARING ASSEMBLY - TAPERED CONE	254-78	\$5.20
		8	27" Verticut - Roller	All	BALL BEARING ASSEMBLY - SEALED	251-347	\$6.83
Reelmaster 2000D	<i>Cutting Units</i>	8	Neutral Centering Device	All	BALL BEARING ASSEMBLY - SEALED	251-259	\$9.65
		16	Rear Wheel - Inner/Outer	All	ROLLER BEARING ASSEMBLY - TAPERED CONE	254-94	\$5.99
		17	Rear Wheel - Inner/Outer	All	BEARING RACE - TAPERED CUP	254-72	\$3.22
		13	Reel	All	BALL BEARING ASSEMBLY - SELF ALIGNING	88-7880	\$16.72
		2	Reel Adjust	All	THRUST BEARING CAGE ASSEMBLY	257-6	\$1.99
		16	Front & Rear Rollers	All	ROLLER BEARING ASSEMBLY - TAPERED CONE	254-78	\$5.20
2300D	<i>Traction Unit</i>	17	Front & Rear Rollers	All	BEARING RACE - TAPERED CUP	254-79	\$2.57
		8	Neutral Centering Device	All	BALL BEARING ASSEMBLY - SEALED	251-259	\$9.65
		11	2WD Rear Wheel	All	BALL BEARING ASSEMBLY - FLANGED	251-321	\$13.24
		17	Front & Rear Rollers	All	BEARING RACE - TAPERED CUP	254-79	\$2.57
2600D	<i>Traction Unit</i>	8	Neutral Centering Device	All	BALL BEARING ASSEMBLY - SEALED	251-259	\$9.65
		17	Front & Rear Rollers	All	ROLLER BEARING ASSEMBLY - TAPERED CONE	254-78	\$5.20
		16	Front & Rear Rollers	All	BEARING RACE - TAPERED CUP	254-79	\$2.57
		8	27" Verticut - Roller	All	BALL BEARING ASSEMBLY - SEALED	251-347	\$6.83
Reelmaster 3100D	<i>Cutting Units</i>	8	Neutral Centering Device	All	BALL BEARING ASSEMBLY - SEALED	251-259	\$9.65
		8	Traction Pedal	All	BALL BEARING ASSEMBLY - SEALED	251-259	\$9.65
		13	Reel	All	BALL BEARING ASSEMBLY - SELF ALIGNING	100-4926	\$18.74
		17	Front & Rear Rollers	All	BEARING RACE - TAPERED CUP	254-79	\$2.57
		16	Front & Rear Rollers	All	ROLLER BEARING ASSEMBLY - TAPERED CONE	254-78	\$5.20
		8	27" Verticut - Roller	All	BALL BEARING ASSEMBLY - SEALED	251-347	\$6.83
Reelmaster 223D	<i>Cutting Unit</i>	8	Neutral Centering Device	All	BALL BEARING ASSEMBLY - SEALED	251-259	\$9.65
		8	Traction Pedal	All	BALL BEARING ASSEMBLY - SEALED	251-259	\$9.65
		16	Reel	All	ROLLER BEARING ASSEMBLY - TAPERED CONE	254-94	\$5.99
		17	Reel	All	BEARING RACE - TAPERED CUP	254-72	\$3.22
		18	Front Roller	All	BEARING & SHAFT ASSEMBLY	75-1290	\$18.48
		19	Rear Roller	1990-91	BEARING & SHAFT ASSEMBLY	52-3180	\$22.75
		7	Rear Roller	All	BALL BEARING ASSEMBLY - OUTER SEAL ONLY	85-9970	\$7.16
		13	Rear Roller Brush Shaft	All	BALL BEARING - SELF ALIGNING W/COLLAR	98-5208	\$25.54
		8	Rear Roller Brush Drive Shaft	All	BALL BEARING ASSEMBLY - SEALED	251-336	\$21.23
		8	Roller Brush Drive Belt Idler	All	BALL BEARING ASSEMBLY - SEALED	251-259	\$9.65
		18	Dethatcher - Rollers	All	BEARING & SHAFT ASSEMBLY	75-1290	\$18.48
		8	Compensating Carrier Frame	All	BALL BEARING ASSEMBLY - SEALED	251-259	\$9.65
		8	Neutral Centering Device	All	BALL BEARING ASSEMBLY - SEALED	251-259	\$9.65
		7	Cooling Fan Shaft	All	BALL BEARING ASSEMBLY - OUTER SEAL ONLY	251-318	\$11.56
12	Front Axle - Outer Bearing	All	ROLLER BEARING ASSEMBLY	21-8180	\$30.28		
16	2WD Rear Wheel - In/Out	All	ROLLER BEARING ASSEMBLY - TAPERED CONE	254-94	\$5.99		
17	2WD Rear Wheel - In/Out	All	BEARING RACE - TAPERED CUP	254-72	\$3.22		
8	4WD Rear Axle Knuckle	All	BALL BEARING ASSEMBLY - SEALED	251-347	\$6.83		

QUICK REFERENCE GUIDE

BEARINGS

Reelmaster[®] - continued

Equipment	Application	Fig. No.	Component	Year	Description	Part No.	Sale Price
Reelmaster 5200D	<i>Cutting Unit</i>	16	Reel	All	ROLLER BEARING ASSEMBLY - TAPERED CONE	254-94	\$5.99
		17	Reel	All	BEARING RACE - TAPERED CUP	254-72	\$3.22
		18	Front & Rear Roller	1998-01	BEARING & SHAFT ASSEMBLY	75-1290	\$18.48
		7	Front & Rear Roller	2001-06	BALL BEARING ASSEMBLY - OUTER SEAL ONLY	109966	\$9.27
		13	Roller Brush Shaft	All	BALL BEARING - SELF ALIGNING W/COLLAR	132-6979	\$22.06
		4	Roller Brush Drive Shaft	All	BALL BEARING ASSEMBLY - SINGLE ROW	98-5215	\$8.74
		8	Roller Brush Drive Belt Idler	All	BALL BEARING ASSEMBLY - SEALED	251-259	\$9.65
		18	Dethatcher - Rollers	All	BEARING & SHAFT ASSEMBLY	75-1290	\$18.48
		8	Compensating Carrier Frame	All	BALL BEARING ASSEMBLY - SEALED	251-259	\$9.65
		8	Neutral Centering Device	All	BALL BEARING ASSEMBLY - SEALED	251-259	\$9.65
		7	Cooling Fan Shaft	All	BALL BEARING ASSEMBLY - OUTER SEAL ONLY	251-318	\$11.56
		12	Front Axle - Outer Bearing	All	ROLLER BEARING ASSEMBLY	21-8180	\$30.28
		16	2WD Rear Wheel - In/Out	All	ROLLER BEARING ASSEMBLY - TAPERED CONE	254-94	\$5.99
		17	2WD Rear Wheel - In/Out	All	BEARING RACE - TAPERED CUP	254-72	\$3.22
8	4WD Rear Axle Knuckle	1998-99	BALL BEARING ASSEMBLY - SEALED	251-347	\$6.83		
Reelmaster 5010-H	<i>Cutting Unit</i>	14	Reel	All	BALL BEARING ASSEMBLY - DUAL ROW	93-2489	\$17.61
		7	Front & Rear Roller	2006-07	BALL BEARING ASSEMBLY - OUTER SEAL ONLY	109966	\$9.27
		7	Front & Rear Roller	2008 & Up	BALL BEARING ASSEMBLY - OUTER SEAL ONLY	112-5290	\$8.90
		9	Roller Brush Drive Shaft	All	BALL BEARING ASSEMBLY - OUTER SEAL ONLY	93-2559	\$10.92
		14	Roller Brush Shaft	All	BALL BEARING ASSEMBLY - SINGLE ROW	95-0707	\$21.61
		9	Groomer Drive Shaft	All	BALL BEARING ASSEMBLY - OUTER SEAL ONLY	93-2559	\$10.92
		14	Groomer Reel	All	BALL BEARING ASSEMBLY - SINGLE ROW	95-0707	\$21.61
		16	2WD Rear Wheel - In/Out	All	ROLLER BEARING ASSEMBLY - TAPERED CONE	254-94	\$5.99
		17	2WD Rear Wheel - In/Out	All	BEARING RACE - TAPERED CUP	254-72	\$3.22
		*	Pedal Assembly	All	BEARING - MOUNT, FLANGE	256-236	\$22.31
		14	Reel	All	BALL BEARING ASSEMBLY - DUAL ROW	93-2489	\$17.61
		7	Roller	All	BALL BEARING ASSEMBLY - OUTER SEAL ONLY	109966	\$9.27
		13	Roller Brush Shaft	All	BALL BEARING - SELF ALIGNING W/COLLAR	132-6979	\$22.06
		4	Roller Brush Drive Shaft	All	BALL BEARING ASSEMBLY - SINGLE ROW	98-5215	\$8.74
8	Roller Brush Drive Belt Idler	All	BALL BEARING ASSEMBLY - SEALED	251-259	\$9.65		
14	Groomer Reel	All	BALL BEARING ASSEMBLY - SINGLE ROW	95-0707	\$21.61		
8	Dethatcher - Roller	All	BALL BEARING ASSEMBLY - SEALED	251-347	\$6.83		
Reelmaster 5500D	<i>Cutting Units</i>	8	Neutral Centering Device	All	BALL BEARING ASSEMBLY - SEALED	251-259	\$9.65
		7	Cooling Fan Shaft	All	BALL BEARING ASSEMBLY - OUTER SEAL ONLY	251-318	\$11.56
		12	Front Axle - Outer Bearing	All	ROLLER BEARING ASSEMBLY	21-8180	\$30.28
		16	2WD Rear Wheel - In/Out	All	ROLLER BEARING ASSEMBLY - TAPERED CONE	254-94	\$5.99
		17	2WD Rear Wheel - In/Out	All	BEARING RACE - TAPERED CUP	254-72	\$3.22
		14	Reel	All	BALL BEARING ASSEMBLY - DUAL ROW	93-2489	\$17.61
		7	Roller	All	BALL BEARING ASSEMBLY - OUTER SEAL ONLY	109966	\$9.27
		13	Roller Brush Shaft	All	BALL BEARING - SELF ALIGNING W/COLLAR	132-6979	\$22.06
		4	Roller Brush Drive Shaft	All	BALL BEARING ASSEMBLY - SINGLE ROW	98-5215	\$8.74
		8	Roller Brush Drive Belt Idler	All	BALL BEARING ASSEMBLY - SEALED	251-259	\$9.65
		14	Groomer Reel	All	BALL BEARING ASSEMBLY - SINGLE ROW	95-0707	\$21.61
		8	Dethatcher - Roller	All	BALL BEARING ASSEMBLY - SEALED	251-347	\$6.83
		*	Rear Roller Brush	All	BEARING - REAR ROLLER BRUSH	106-4237	\$9.01
		Reelmaster 6500D	<i>SPA Cutting Units</i>	14	Reel	All	BALL BEARING ASSEMBLY - DUAL ROW
7	Front & Rear Roller			2007	BALL BEARING ASSEMBLY - OUTER SEAL ONLY	109966	\$9.27
7	Front & Rear Roller			2008 & Up	BALL BEARING ASSEMBLY - OUTER SEAL ONLY	112-5290	\$8.90
9	Roller Brush Drive Shaft			All	BALL BEARING ASSEMBLY - OUTER SEAL ONLY	93-2559	\$10.92
14	Roller Brush Shaft			All	BALL BEARING ASSEMBLY - SINGLE ROW	95-0707	\$21.61
9	Groomer Drive Shaft			All	BALL BEARING ASSEMBLY - OUTER SEAL ONLY	93-2559	\$10.92
14	Groomer Reel			All	BALL BEARING ASSEMBLY - SINGLE ROW	95-0707	\$21.61
*	Rear Roller Brush			All	BEARING - REAR ROLLER BRUSH	106-4237	\$9.01
16	2WD Rear Wheel - Inner			All	ROLLER BEARING ASSEMBLY - TAPERED CONE	254-106	\$9.38
17	2WD Rear Wheel - Inner			All	BEARING RACE - TAPERED CUP	254-107	\$3.63
16	2WD Rear Wheel - Outer			All	ROLLER BEARING ASSEMBLY - TAPERED CONE	254-92	\$8.77
17	2WD Rear Wheel - Outer			All	BEARING RACE - TAPERED CUP	254-72	\$3.22

QUICK REFERENCE GUIDE

BEARINGS

Reelmaster® - continued

Equipment	Application	Fig. No.	Component	Year	Description	Part No.	Sale Price		
Reelmaster 450D	<i>Cutting Unit</i>	15	Reel	All	BALL BEARING ASSEMBLY - DUAL ROW EXT. RACE	59-6140	\$36.34		
		2	Reel Adjust	1986-89	THRUST BEARING CAGE ASSEMBLY	257-6	\$1.99		
		16	Front & Rear Rollers	All	ROLLER BEARING ASSEMBLY - TAPERED CONE	254-78	\$5.20		
		17	Front & Rear Rollers	All	BEARING RACE - TAPERED CUP	254-79	\$2.57		
		15	Dethatcher - Reel	All	BALL BEARING ASSEMBLY - DUAL ROW EXT. RACE	59-6140	\$36.34		
	<i>Traction Unit</i>	16	2WD Rear Wheel - Inner	1991 & Up	ROLLER BEARING ASSEMBLY - TAPERED CONE	254-106	\$9.38		
		17	2WD Rear Wheel - Inner	1991 & Up	BEARING RACE - TAPERED CUP	254-107	\$3.63		
		16	2WD Rear Wheel - Outer	1991 & Up	ROLLER BEARING ASSEMBLY - TAPERED CONE	254-92	\$8.77		
		17	2WD Rear Wheel - Outer	1991 & Up	BEARING RACE - TAPERED CUP	254-72	\$3.22		
		Reelmaster 335D	<i>Cutting Unit</i>	15	Reel	All	BALL BEARING ASSEMBLY - DUAL ROW EXT. RACE	59-6140	\$36.34
	16			Front & Rear Rollers	All	ROLLER BEARING ASSEMBLY - TAPERED CONE	254-78	\$5.20	
	17			Front & Rear Rollers	All	BEARING RACE - TAPERED CUP	254-79	\$2.57	
	15			Dethatcher - Reel	All	BALL BEARING ASSEMBLY - DUAL ROW EXT. RACE	59-6140	\$36.34	
	<i>Traction Unit</i>			8	Neutral Centering Device	All	BALL BEARING ASSEMBLY - SEALED	251-259	\$9.65
			16	2WD Rear Wheel - In/Out	All	ROLLER BEARING ASSEMBLY - TAPERED CONE	254-94	\$5.99	
17			2WD Rear Wheel - In/Out	All	BEARING RACE - TAPERED CUP	254-72	\$3.22		
Reelmaster 3500D			<i>Cutting Unit</i>	15	Reel	All	BALL BEARING ASSEMBLY - DUAL ROW EXT. RACE	59-6140	\$36.34
				16	Front & Rear Rollers	All	ROLLER BEARING ASSEMBLY - TAPERED CONE	254-78	\$5.20
	17			Front & Rear Rollers	All	BEARING RACE - TAPERED CUP	254-79	\$2.57	
	15	Dethatcher - Reel		All	BALL BEARING ASSEMBLY - DUAL ROW EXT. RACE	59-6140	\$36.34		
	<i>Traction Unit</i>	8		Neutral Centering Device	All	BALL BEARING ASSEMBLY - SEALED	251-259	\$9.65	
		16	2WD Rear Wheel - Inner	All	ROLLER BEARING ASSEMBLY - TAPERED CONE	254-106	\$9.38		
		17	2WD Rear Wheel - Inner	All	BEARING RACE - TAPERED CUP	254-107	\$3.63		
		16	2WD Rear Wheel - Outer	All	ROLLER BEARING ASSEMBLY - TAPERED CONE	254-92	\$8.77		
		17	2WD Rear Wheel - Outer	All	BEARING RACE - TAPERED CUP	254-72	\$3.22		
	Reelmaster 3550D	<i>Cutting Unit</i>	8	Front & Rear Roller	2013	BEARING - SEALED	115-3296	\$28.28	
7			Front & Rear Roller	2013	BEARING - STAINLESS STEEL	112-5290	\$8.90		
<i>Traction Unit</i>		8	Neutral Centering Device	All	BALL BEARING ASSEMBLY - SEALED	251-259	\$9.65		
		17	Hydraulic Pump ASM	2013	BEARING - CUP	104-4046	\$24.42		
		16	Hydraulic Pump ASM	2013	BEARING - CONE	98-4639	\$52.83		
		2	Hydraulic Pump ASM	2013	BEARING - THRUST	252-66	\$8.32		
Reelmaster 4000D	<i>Cutting Unit</i>	15	Reel	All	BALL BEARING ASSEMBLY - DUAL ROW EXT. RACE	59-6140	\$36.34		
		16	Front & Rear Rollers	All	ROLLER BEARING ASSEMBLY - TAPERED CONE	254-78	\$5.20		
Reelmaster 4500D	<i>Cutting Unit</i>	17	Front & Rear Rollers	All	BEARING RACE - TAPERED CUP	254-79	\$2.57		
		15	Dethatcher - Reel	All	BALL BEARING ASSEMBLY - DUAL ROW EXT. RACE	59-6140	\$36.34		
		<i>Traction Unit</i>	16	2WD Rear Wheel - Inner	All	ROLLER BEARING ASSEMBLY - TAPERED CONE	254-106	\$9.38	
	17		2WD Rear Wheel - Inner	All	BEARING RACE - TAPERED CUP	254-107	\$3.63		
	Reelmaster 7000D	<i>Cutting Unit</i>	14	Reel	All	BALL BEARING ASSEMBLY - DUAL ROW	93-2489	\$17.61	
7			Rear Roller	All	BALL BEARING ASSEMBLY - OUTER SEAL ONLY	112-5290	\$8.90		
<i>Traction Unit</i>		16	Wheel	All	ROLLER BEARING ASSEMBLY - TAPERED CONE	254-62	\$8.64		
		17	Wheel	All	BEARING RACE - TAPERED CUP	115-9471	\$4.23		
		Reelmaster Transport Frame	<i>Cutting Unit</i>	16	Reel	All	ROLLER BEARING ASSEMBLY - TAPERED CONE	254-94	\$5.99
17	Reel			All	BEARING RACE - TAPERED CUP	254-72	\$3.22		
2	Reel Adjustment Knob		All	THRUST BEARING CAGE ASSEMBLY	257-6	\$1.99			
16	Drive Wheel Gear Hub		All	ROLLER BEARING ASSEMBLY - TAPERED CONE	254-78	\$5.20			
17	Drive Wheel Gear Hub		All	BEARING RACE - TAPERED CUP	254-79	\$2.57			
3	Idler Pinion Gear	All	NEEDLE BEARING ASSEMBLY	252-6	\$4.22				
16	Rear Roller	All	ROLLER BEARING ASSEMBLY - TAPERED CONE	254-78	\$5.20				
17	Rear Roller	All	BEARING RACE - TAPERED CUP	254-79	\$2.57				

Groundsmaster

Equipment	Application	Fig. No.	Component	Year	DESCRIPTION	Part No.	Sale Price
Groundsmaster 52 62	<i>Traction Unit</i>	8	Neutral Centering Device	All	BALL BEARING ASSEMBLY - SEALED	251-259	\$9.65
		3	Steering Pivot Arm - Front	All	NEEDLE BEARING ASSEMBLY	252-6	\$4.22
		12	Front Axle - Outer Bearing	All	ROLLER BEARING ASSEMBLY	21-8180	\$30.28
Groundsmaster 72	<i>Deck</i>	7	Blade Spindle	1973-77	BALL BEARING ASSEMBLY - OUTER SEAL ONLY	251-257	\$8.56
	<i>Traction Unit</i>	8	Neutral Centering Device	All	BALL BEARING ASSEMBLY - SEALED	251-259	\$9.65
		13	Engine Output Shaft Support	All	BALL BEARING - SELF ALIGNING W/COLLAR	251-252	\$69.37
		13	PTO Shaft Support	All	BALL BEARING - SELF ALIGNING W/COLLAR	251-252	\$69.37
		12	Front Axle - Outer Bearing	All	ROLLER BEARING ASSEMBLY	21-8180	\$30.28

QUICK REFERENCE GUIDE

BEARINGS

Groundsmaster® - continued

Equipment	Application	Fig. No.	Component	Year	Description	Part No.	Sale Price	
Groundsmaster 200 Series	<i>52"/62" RD/SD</i>	6	Front Caster Wheel	1989 & Up	ROLLER BEARING CAGE ASSEMBLY	62-5570	\$6.17	
		6	Front Caster Wheel	1989 & Up	BEARING - FLANGE	62-5580	\$2.40	
		<i>72" SD Deck</i>	6	Front Caster Wheel	1989 & Up	ROLLER BEARING CAGE ASSEMBLY	62-5570	\$6.17
			6	Front Caster Wheel	1989 & Up	BEARING - FLANGE	62-5580	\$2.40
			6	Rear Caster Wheel	1998 & Up	ROLLER BEARING CAGE ASSEMBLY	63-8580	\$5.82
	<i>62" Guardian</i>	6	Rear Caster Wheel	1998 & Up	BEARING - FLANGE	62-5580	\$2.40	
		6	Front & Rear Caster Wheel	All	ROLLER BEARING CAGE ASSEMBLY	83-4740	\$6.10	
		6	Front & Rear Caster Wheel	All	BEARING - FLANGE	62-5580	\$2.40	
		<i>Debris Blower</i>	6	Caster Wheel	All	ROLLER BEARING CAGE ASSEMBLY	62-5570	\$6.17
			6	Caster Wheel	All	BEARING - FLANGE	62-5580	\$2.40
	<i>Traction Unit</i>	8	Neutral Centering Device	All	BALL BEARING ASSEMBLY - SEALED	251-259	\$9.65	
		12	Front Axle - Outer Bearing	All	ROLLER BEARING ASSEMBLY	21-8180	\$30.28	
		16	2WD Rear Wheel - In/Out	All	ROLLER BEARING ASSEMBLY - TAPERED CONE	254-94	\$5.99	
		17	2WD Rear Wheel - In/Out	All	BEARING RACE - TAPERED CUP	254-72	\$3.22	
		8	4WD Rear Axle Knuckle	1993-99	BALL BEARING ASSEMBLY - SEALED	251-347	\$6.83	
Groundsmaster 300 Series		<i>72" RD/SD</i>	21	Blade Spindle	All	BEARING & SPACER SET	49-8320	\$39.84
			6	Front Caster Wheel	1988-91	ROLLER BEARING CAGE ASSEMBLY	62-5570	\$6.17
			6	Front Caster Wheel	1992 & Up	ROLLER BEARING CAGE ASSEMBLY	83-4740	\$6.10
	6		Front Caster Wheel	1988 & Up	BEARING - FLANGE	62-5580	\$2.40	
	6		Rear Caster Wheel	1988 & Up	ROLLER BEARING CAGE ASSEMBLY	63-8580	\$5.82	
	6	Rear Caster Wheel	1988 & Up	BEARING - FLANGE	62-5580	\$2.40		
	10	Foam Filled Caster Wheel	All	BALL BEARING ASSEMBLY - SEALED	120-5378	\$9.75		
	11	10" Segmented Caster Wheel	All	BALL BEARING ASSEMBLY - FLANGED	251-321	\$13.24		
	Groundsmaster 300 Series	<i>72" Guardian</i>	21	Blade Spindle	All	BEARING & SPACER SET	71-2530	\$76.43
			6	Front & Rear Caster Wheel	All	ROLLER BEARING CAGE ASSEMBLY	83-4740	\$6.10
6			Front & Rear Caster Wheel	All	BEARING - FLANGE	62-5580	\$2.40	
10			Foam Filler Caster Wheel	All	BALL BEARING ASSEMBLY - SEALED	120-5378	\$9.75	
11			10" Segmented Caster Wheel	All	BALL BEARING ASSEMBLY - FLANGED	251-321	\$13.24	
<i>72" Flex</i>		21	Blade Spindle	All	BEARING & SPACER SET	71-2530	\$76.43	
		6	Caster Wheel	All	ROLLER BEARING CAGE ASSEMBLY	62-5570	\$6.17	
		6	Caster Wheel	All	BEARING - FLANGE	62-5580	\$2.40	
		10	Foam Filler Caster Wheel	All	BALL BEARING ASSEMBLY - SEALED	120-5378	\$9.75	
		11	10" Segmented Caster Wheel	All	BALL BEARING ASSEMBLY - FLANGED	251-321	\$13.24	
<i>88" TriFlex</i>	6	Front Caster Wheel	1988-90	ROLLER BEARING CAGE ASSEMBLY	62-5570	\$6.17		
	6	Front Caster Wheel	1991-94	ROLLER BEARING CAGE ASSEMBLY	83-4740	\$6.10		
	6	Front Caster Wheel	All	BEARING - FLANGE	62-5580	\$2.40		
	6	Rear Caster Wheel	All	ROLLER BEARING CAGE ASSEMBLY	63-8580	\$5.82		
	6	Rear Caster Wheel	All	BEARING - FLANGE	62-5580	\$2.40		
	10	Foam Filler Caster Wheel	All	BALL BEARING ASSEMBLY - SEALED	120-5378	\$9.75		
	11	10" Segmented Caster Wheel	All	BALL BEARING ASSEMBLY - FLANGED	251-321	\$13.24		
	<i>Debris Blower</i>	6	Caster Wheel	All	ROLLER BEARING CAGE ASSEMBLY	83-4740	\$6.10	
		6	Caster Wheel	All	BEARING - FLANGE	62-5580	\$2.40	
	<i>Traction Unit</i>	13	Engine Output Shaft Support	All	BALL BEARING - SELF ALIGNING W/COLLAR	251-252	\$69.37	
13		PTO Shaft Support	All	BALL BEARING - SELF ALIGNING W/COLLAR	251-252	\$69.37		
8		Neutral Centering Device	All	BALL BEARING ASSEMBLY - SEALED	251-259	\$9.65		
12		Front Axle - Outer Bearing	All	ROLLER BEARING ASSEMBLY	21-8180	\$30.28		
16		2WD Rear Wheel - In/Out	All	ROLLER BEARING ASSEMBLY - TAPERED CONE	254-94	\$5.99		
17		2WD Rear Wheel - In/Out	All	BEARING RACE - TAPERED CUP	254-72	\$3.22		
8		4WD Rear Axle Knuckle	1991-98	BALL BEARING ASSEMBLY - SEALED	251-347	\$6.83		
Groundsmaster 360		<i>Traction Unit</i>	17	2WD Wheel Motor & Spindle Assembly	All	BEARING RACE - TAPERED CUP	254-72	\$3.22
	16		2WD Wheel Motor & Spindle Assembly	All	ROLLER BEARING ASSEMBLY - TAPERED CONE	254-92	\$8.77	
Groundsmaster 455D	<i>126" Quadfloat</i>	21	Blade Spindle	All	BEARING & SPACER SET	71-2530	\$76.43	
		10	Caster Wheels	1996-03	BALL BEARING ASSEMBLY - SEALED	120-5378	\$9.75	
		11	Segmented Caster Wheels	1992-00	BALL BEARING ASSEMBLY - FLANGED	251-321	\$13.24	
	<i>Traction Unit</i>	8	Neutral Centering Device	All	BALL BEARING ASSEMBLY - SEALED	251-259	\$9.65	
		16	2WD Rear Wheel - Inner	1992-93	ROLLER BEARING ASSEMBLY - TAPERED CONE	254-92	\$8.77	
		17	2WD Rear Wheel - Inner	1992-93	BEARING RACE - TAPERED CUP	254-72	\$3.22	
		16	2WD Rear Wheel - Inner	1994 & Up	ROLLER BEARING ASSEMBLY - TAPERED CONE	254-106	\$9.38	
		17	2WD Rear Wheel - Inner	1994 & Up	BEARING RACE - TAPERED CUP	254-107	\$3.63	
		16	2WD Rear Wheel - Outer	All	ROLLER BEARING ASSEMBLY - TAPERED CONE	254-92	\$8.77	
		17	2WD Rear Wheel - Outer	All	BEARING RACE - TAPERED CUP	254-72	\$3.22	

QUICK REFERENCE GUIDE BEARINGS

Groundsmaster® - continued

Equipment	Application	Fig. No.	Component	Year	Description	Part No.	Sale Price	
Groundsmaster 580D	<i>Center/Wing Decks</i>	21	Blade Spindle	All	BEARING & SPACER SET	71-2530	\$76.43	
		11	Caster Wheels	1989-95	BALL BEARING ASSEMBLY - FLANGED	251-321	\$13.24	
		10	Caster Wheels	1995 & Up	BALL BEARING ASSEMBLY - SEALED	120-5378	\$9.75	
	<i>Traction Unit</i>	8	Neutral Centering Device	All	BALL BEARING ASSEMBLY - SEALED	251-259	\$9.65	
		5	Hydraulic Pump Drive Shaft	1995 & Up	CROSS & BEARING ASSEMBLY	92-4187	\$120.70	
		16	2WD Rear Wheel - Inner	All	ROLLER BEARING ASSEMBLY - TAPERED CONE	254-106	\$9.38	
		17	2WD Rear Wheel - Inner	All	BEARING RACE - TAPERED CUP	254-107	\$3.63	
		16	2WD Rear Wheel - Outer	All	ROLLER BEARING ASSEMBLY - TAPERED CONE	254-92	\$8.77	
		17	2WD Rear Wheel - Outer	All	BEARING RACE - TAPERED CUP	254-72	\$3.22	
			Bearing-Flange, 2 Bolt	All	BEARING-FLANGE, 2 BOLT	138-5270	\$36.00	
Groundsmaster 3000 3000D	<i>72" Decks</i>	21	Blade Spindle	All	BEARING & SPACER SET	71-2530	\$76.43	
		10	Front Caster Wheel	All	BALL BEARING ASSEMBLY - SEALED	120-5378	\$9.75	
	<i>Debris Blower</i>	6	Caster Wheel	All	ROLLER BEARING CAGE ASSEMBLY	83-4740	\$6.10	
		6	Caster Wheel	All	BEARING - FLANGE	62-5580	\$2.40	
	<i>Rotary Broom</i>	10	Front Caster Wheel	All	BALL BEARING ASSEMBLY - SEALED	120-5378	\$9.75	
	<i>Traction Unit</i>	16	2WD Rear Wheel - In/Out	1996-98	ROLLER BEARING ASSEMBLY - TAPERED CONE	254-94	\$5.99	
		16	2WD Rear Wheel - In/Out	1999-00	ROLLER BEARING ASSEMBLY - TAPERED CONE	254-92	\$8.77	
		17	2WD Rear Wheel - In/Out	All	BEARING RACE - TAPERED CUP	254-72	\$3.22	
	Groundsmaster 3280D 3320	<i>52" SD Deck</i>	6	Front Caster Wheel	All	ROLLER BEARING CAGE ASSEMBLY	62-5570	\$6.17
			6	Front Caster Wheel	All	BEARING - FLANGE	62-5580	\$2.40
<i>60"/62"/72"</i>		10	Front Caster Wheel	All	BALL BEARING ASSEMBLY - SEALED	120-5378	\$9.75	
		<i>Traction Unit</i>	8	Neutral Centering Device	All	BALL BEARING ASSEMBLY - SEALED	251-259	\$9.65
12			Front Axle - Outer Bearing	All	ROLLER BEARING ASSEMBLY	21-8180	\$30.28	
16			2WD Rear Wheel - In/Out	All	ROLLER BEARING ASSEMBLY - TAPERED CONE	254-94	\$5.99	
17			2WD Rear Wheel - In/Out	All	BEARING RACE - TAPERED CUP	254-72	\$3.22	
Groundsmaster 4000D 4100D		<i>132"/124 RD</i>	10	Front Caster Wheel	All	BALL BEARING ASSEMBLY - SEALED	120-5378	\$9.75
			*	Impact Arm	2010 & Up	BEARING - PLASTIC	105-4552	\$16.41
		<i>Debris Blower</i>	10	Front Caster Wheel	All	BALL BEARING ASSEMBLY - SEALED	120-5378	\$9.75
	<i>Rotary Broom</i>	10	Front Caster Wheel	All	BALL BEARING ASSEMBLY - SEALED	120-5378	\$9.75	
Groundsmaster 3500D 3505D	<i>27" RD Deck</i>	10	Front Rollers	All	BALL BEARING ASSEMBLY - SEALED	120-3366	\$19.96	
		8	Rear Roller	2000-03	BALL BEARING ASSEMBLY - SEALED	251-347	\$6.83	
	7	Rear Roller	2004-06	BALL BEARING ASSEMBLY - OUTER SEAL ONLY	109966	\$9.27		
	7	Rear Roller	2007 & Up	BALL BEARING ASSEMBLY - OUTER SEAL ONLY	112-5290	\$8.90		
	<i>Traction Unit</i>	8	Neutral Centering Device	All	BALL BEARING ASSEMBLY - SEALED	251-259	\$9.65	
		16	2WD Rear Wheel - In/Out	All	ROLLER BEARING ASSEMBLY - TAPERED CONE	254-94	\$5.99	
		17	2WD Rear Wheel - In/Out	All	BEARING RACE - TAPERED CUP	254-72	\$3.22	
		10	Front Rollers	All	BALL BEARING ASSEMBLY - SEALED	120-3366	\$19.96	
	Groundsmaster 4500D 4700D	<i>27" RD Deck</i>	8	Rear Roller	2000-03	BALL BEARING ASSEMBLY - SEALED	251-347	\$6.83
			7	Rear Roller	2004-06	BALL BEARING ASSEMBLY - OUTER SEAL ONLY	109966	\$9.27
7			Rear Roller	2007 & Up	BALL BEARING ASSEMBLY - OUTER SEAL ONLY	112-5290	\$8.90	
*			Piston Pump Assembly	2013 & Up	BEARING - ROLLER	125-5279	\$184.50	
Groundsmaster 5900 5910	<i>Traction Unit</i>	*	Center Front Deck	All	BEARING - SPHERICAL	105-7441	\$40.09	
		*	Double Driven Spindle	All	BEARING ASSEMBLY	110-8297	\$32.40	
		*	High Driven Spindle	All	BEARING ASSEMBLY	110-8297	\$32.40	
		*	Driving Spindle	All	BEARING ASSEMBLY	110-8297	\$32.40	
		*	Driving Spindle Assembly	2016 & Up	BEARING SPACER SET	108-1954	\$104.68	
		*	10" Wheel Assembly	2011 & Up	BEARING - 10" WHEEL	120-3366	\$19.96	
		*	LH Deck Connection	2008 & Up	CROSS & BEARING KIT	104-4299	\$191.30	
	*	Traction Pedal	All	BEARING - MOUNT, FLANGE	256-236	\$22.31		
	Groundsmaster 7200 7210	<i>62"/72" Deck</i>	16	Front Caster Wheel Fork	All	ROLLER BEARING ASSEMBLY - TAPERED CONE	254-106	\$9.38
			17	Front Caster Wheel Fork	All	BEARING RACE - TAPERED CUP	254-107	\$3.63

Aerator

Equipment	Application	Fig. No.	Component	Year	Description	Part No.	Sale Price
ProCore 440	<i>Aerator</i>	8	Flywheel Shaft	All	BALL BEARING ASSEMBLY - SEALED	100-5396	\$27.11
		8	Stomper Arm	All	BALL BEARING ASSEMBLY - SEALED	100-7599	\$19.60
		10	Bottom Link Arm	All	BALL BEARING ASSEMBLY - SEALED	100-7621	\$33.18
ProCore 660 880	<i>Aerator</i>	8	Flywheel Shaft	All	BALL BEARING ASSEMBLY - SEALED	100-5396	\$27.11
		8	Stomper Arm	All	BALL BEARING ASSEMBLY - SEALED	100-5386	\$21.41
		10	Bottom Link Arm	All	BALL BEARING ASSEMBLY - SEALED	100-7621	\$33.18

QUICK REFERENCE GUIDE BEARINGS

Aerator - continued

Equipment	Application	Fig. No.	Component	Year	Description	Part No.	Sale Price
ProCore 648	<i>Aerator</i>	8	Neutral Centering Device	All	BALL BEARING ASSEMBLY - SEALED	251-259	\$9.65
		8	Crank Arm	All	BALL BEARING ASSEMBLY - SEALED	105-0965	\$15.46
		8	Stomper Arm	All	BALL BEARING ASSEMBLY - SEALED	106-8871	\$10.77
ProCore 864 1298	<i>Aerator</i>	8	Crank Arm Housing	All	BALL BEARING ASSEMBLY - SEALED	110-4555	\$82.01
		8	Stomper Arm	All	BALL BEARING ASSEMBLY - SEALED	110-4556	\$11.71
		5	Drive Shaft (Shielded)	All	CROSS & BEARING ASSEMBLY	110-4635	\$94.74
		5	Drive Shaft	All	CROSS & BEARING ASSEMBLY	110-4641	\$75.82
		8	Drive Pulley Support	All	BALL BEARING ASSEMBLY - SEALED	106-8871	\$10.77
ProCore Processor	<i>Aerator</i>	16	Wheel - Inner	All	ROLLER BEARING ASSEMBLY - TAPERED CONE	254-106	\$9.38
		17	Wheel - Inner	All	BEARING RACE - TAPERED CUP	254-107	\$3.63
		16	Wheel - Outer	All	ROLLER BEARING ASSEMBLY - TAPERED CONE	254-92	\$8.77
		17	Wheel - Outer	All	BEARING RACE - TAPERED CUP	254-72	\$3.22
Hydroject 3000 3010	<i>Aerator</i>	8	Neutral Centering Device	All	BALL BEARING ASSEMBLY - SEALED	251-259	\$9.65
		16	Rear Wheel - In/Out	All	ROLLER BEARING ASSEMBLY - TAPERED CONE	254-94	\$5.99
		17	Rear Wheel - In/Out	All	BEARING RACE - TAPERED CUP	254-72	\$3.22
Hydroject Hitch Kit	<i>Aerator</i>	11	Caster Wheel	All	BALL BEARING ASSEMBLY - FLANGED	251-321	\$13.24

Workman®

Equipment	Application	Fig. No.	Component	Year	DESCRIPTION	Part No.	Sale Price
Workman 1110 2110	<i>Vehicle</i>	8	Steering Gearbox	All	BALL BEARING ASSEMBLY - SEALED	251-82	\$13.40
		8	Steering Gearbox	All	BALL BEARING ASSEMBLY - SEALED	38-7820	\$4.00
		8	Shift Lever Detent	All	BALL BEARING ASSEMBLY - SEALED	251-259	\$9.65
		16	2WD Front Wheel - Inner	All	ROLLER BEARING ASSEMBLY - TAPERED CONE	254-106	\$9.38
		17	2WD Front Wheel - Inner	All	BEARING RACE - TAPERED CUP	254-107	\$3.63
		16	2WD Front Wheel - Outer	All	ROLLER BEARING ASSEMBLY - TAPERED CONE	254-94	\$5.99
		17	2WD Front Wheel - Outer	All	BEARING RACE - TAPERED CUP	254-72	\$3.22
		5	Rear Axle Shafts	All	CROSS & BEARING ASSEMBLY	92-4187	\$120.70
		19	Rear Axle Housings	All	BEARING & RETAINER SET	87-1970	\$85.03
		Workman 1300D 3100	<i>Vehicle</i>	5	Rear Axle Shafts	All	CROSS & BEARING ASSEMBLY
19	Rear Axle Housings			All	BEARING & RETAINER SET	87-1970	\$85.03
16	2WD Front Wheel - Inner			All	ROLLER BEARING ASSEMBLY - TAPERED CONE	254-106	\$9.38
17	2WD Front Wheel - Inner			All	BEARING RACE - TAPERED CUP	254-107	\$3.63
16	2WD Front Wheel - Outer			All	ROLLER BEARING ASSEMBLY - TAPERED CONE	254-94	\$5.99
17	2WD Front Wheel - Outer			All	BEARING RACE - TAPERED CUP	254-72	\$3.22
20	Clutch Release			2006 & Up	THRUST BEARING W/BRACKETS	110-2538	\$28.69
4	Transaxle Main Shaft			All	BALL BEARING ASSEMBLY - SINGLE ROW	251-8	\$10.61
27	Gearshaft Assembly			All	BEARING - BALL	251-346	\$10.06
Workman Series 3200 3300 3400	<i>Vehicle</i>			8	Hydraulic Pump Drive Shaft	All	BALL BEARING ASSEMBLY - SEALED
		5	Rear Axle Shafts	All	CROSS & BEARING ASSEMBLY	92-4187	\$120.70
		19	Rear Axle Housings	All	BEARING & RETAINER SET	87-1970	\$85.03
		16	2WD Front Wheel - Inner	All	ROLLER BEARING ASSEMBLY - TAPERED CONE	254-106	\$9.38
		17	2WD Front Wheel - Inner	All	BEARING RACE - TAPERED CUP	254-107	\$3.63
		16	2WD Front Wheel - Outer	All	ROLLER BEARING ASSEMBLY - TAPERED CONE	254-94	\$5.99
		17	2WD Front Wheel - Outer	All	BEARING RACE - TAPERED CUP	254-72	\$3.22
		20	Clutch Release	2006 & Up	THRUST BEARING W/BRACKETS	110-2538	\$28.69
		4	Transaxle Main Shaft	All	BALL BEARING ASSEMBLY - SINGLE ROW	251-8	\$10.61
		27	Gearshaft Assembly	All	BEARING - BALL	251-346	\$10.06
Workman Series 4200 4300	<i>Vehicle</i>	8	Hydraulic Pump Drive Shaft	All	BALL BEARING ASSEMBLY - SEALED	251-82	\$13.40
		5	Rear Axle Shafts	All	CROSS & BEARING ASSEMBLY	92-4187	\$120.70
		19	Rear Axle Housings	All	BEARING & RETAINER SET	87-1970	\$85.03
		20	Clutch Release	2006 & Up	THRUST BEARING W/BRACKETS	110-2538	\$28.69
		4	Transaxle Main Shaft	All	BALL BEARING ASSEMBLY - SINGLE ROW	251-8	\$10.61
Workman MDE	<i>Vehicle</i>	27	Gearshaft Assembly	All	BEARING - BALL	251-346	\$10.06
		8	Steering Gearbox	All	BALL BEARING ASSEMBLY - SEALED	251-82	\$13.40
		8	Steering Gearbox	All	BALL BEARING ASSEMBLY - SEALED	38-7820	\$4.00
		16	2WD Front Wheel - Inner	All	ROLLER BEARING ASSEMBLY - TAPERED CONE	254-106	\$9.38
		17	2WD Front Wheel - Inner	All	BEARING RACE - TAPERED CUP	254-107	\$3.63
16	2WD Front Wheel - Outer	All	ROLLER BEARING ASSEMBLY - TAPERED CONE	254-94	\$5.99		
17	2WD Front Wheel - Outer	All	BEARING RACE - TAPERED CUP	254-72	\$3.22		

QUICK REFERENCE GUIDE

BEARINGS

Workman[®] - continued

Equipment	Application	Fig. No.	Component	Year	DESCRIPTION	Part No.	Sale Price
Workman MD MDX	<i>Vehicle</i>	8	Steering Gearbox	All	BALL BEARING ASSEMBLY - SEALED	251-82	\$13.40
		8	Steering Gearbox	All	BALL BEARING ASSEMBLY - SEALED	38-7820	\$4.00
		8	Shift Lever Detent	All	BALL BEARING ASSEMBLY - SEALED	251-259	\$9.65
		16	2WD Front Wheel - Inner	All	ROLLER BEARING ASSEMBLY - TAPERED CONE	254-106	\$9.38
		17	2WD Front Wheel - Inner	All	BEARING RACE - TAPERED CUP	254-107	\$3.63
		16	2WD Front Wheel - Outer	All	ROLLER BEARING ASSEMBLY - TAPERED CONE	254-94	\$5.99
		17	2WD Front Wheel - Outer	All	BEARING RACE - TAPERED CUP	254-72	\$3.22
Workman HD HDX HDX-D HDX Auto	<i>Vehicle</i>	5	Rear Axle Shafts	All	CROSS & BEARING ASSEMBLY	92-4187	\$120.70
		20	Clutch Release	All	THRUST BEARING W/BRACKETS	110-2538	\$28.69
		4	Transaxle Main Shaft	All	BALL BEARING ASSEMBLY - SINGLE ROW	251-8	\$10.61
		27	Gearshaft Assembly	All	BEARING - BALL	251-346	\$10.06
Workman GTX	<i>Vehicle</i>	16	Front Frame & Suspension	All	BEARING - CONE, TAPERED	254-94	\$5.99
		17	Front Frame & Suspension	All	BEARING - CUP, TAPERED	254-72	\$3.22
		8	Pedal and Control	All	BEARING - BALL	251-259	\$9.65

Multi Pro[®]

Equipment	Application	Fig. No.	Component	Year	Description	Part No.	Sale Price
Multi Pro 1100	<i>Traction Unit</i>	8	Transmission Input Shaft	All	BALL BEARING ASSEMBLY - SEALED	251-82	\$13.40
		12	Rear Axle - Inner/Outer	All	ROLLER BEARING ASSEMBLY	21-8180	\$30.28
		16	Front Wheel - In/Out	All	ROLLER BEARING ASSEMBLY - TAPERED CONE	254-94	\$5.99
		17	Front Wheel - In/Out	All	BEARING RACE - TAPERED CUP	254-72	\$3.22
Multi Pro 1200 1250 1750	<i>Traction Unit</i>	16	Gearbox Output Shaft	All	ROLLER BEARING ASSEMBLY - TAPERED CONE	254-94	\$5.99
		17	Gearbox Output Shaft	All	BEARING RACE - TAPERED CUP	254-72	\$3.22
		19	Rear Axle Housings	All	BEARING & RETAINER SET	87-1970	\$85.03
		5	Rear Axle Shafts	All	CROSS & BEARING ASSEMBLY	92-4187	\$120.70
		16	2WD Front Wheel - In/Out	All	ROLLER BEARING ASSEMBLY - TAPERED CONE	254-92	\$8.77
		17	2WD Front Wheel - In/Out	All	BEARING RACE - TAPERED CUP	254-72	\$3.22
Multi Pro 5800D	<i>Traction Unit</i>	27	Gearshaft Assembly	All	BEARING - BALL	251-346	\$10.06
		8	Front Wheel	All	BEARING - SPINDLE ASSEMBLY	93-6587	\$4.90
		17	Front Wheel	All	BEARING - SPINDLE ASSEMBLY CUP	115-9471	\$4.23
		16	Front Wheel	All	BEARING - SPINDLE ASSEMBLY CONE	254-62	\$8.64

Specialty Turf Equipment

Equipment	Application	Fig. No.	Component	Year	Description	Part No.	Sale Price
Rac-O-Vac Sweeper		16	Wheel Hub ASM	2013	ROLLER-BEARING, CONE	254-62	\$8.64
		16	Wheel Hub ASM	2013	ROLLER-BEARING, CONE	254-65	\$48.68
		17	Wheel Hub ASM	2013	ROLLER-BEARING, CUP	254-66	\$10.76
		17	Wheel Hub ASM	2013	ROLLER-BEARING, CUP	115-9471	\$4.23
		NA	Blower Fan	2013	BALL BEARING	56-6220	\$94.20
		NA	Rake ASM	2013	ROLLER	56-6230	\$55.40
		8	Clutch ASM	2013	BEARING- CLUTCH ASM	107-1054	\$70.98
ProStripe 560		8	Lower ASM	All	BEARING	111-1276	\$3.40
		8	Lower ASM	All	ROLLER BEARING	111-1492	\$13.76
ProCore Core Processor	<i>Aerator</i>	16	Wheel - Inner	All	ROLLER BEARING ASSEMBLY - TAPERED CONE	254-106	\$9.38
		17	Wheel - Inner	All	BEARING RACE - TAPERED CUP	254-107	\$3.63
		16	Wheel - Outer	All	ROLLER BEARING ASSEMBLY - TAPERED CONE	254-92	\$8.77
		17	Wheel - Outer	All	BEARING RACE - TAPERED CUP	254-72	\$3.22

QUICK REFERENCE GUIDE

BELTS

Greensmaster[®] - Riders

Equipment	Description	Application	Part No.	Sale Price
Greensmaster 500	V-BELT	Transmission/Clutch	95-1811	\$11.59
Greensmaster 800	BELT	Reel Drive	65-6200	\$13.70
	BELT	Transport Wheel Drive	65-6210	\$18.83
	BELT	Drum Drive	65-9080	\$32.24
	BELT	Groomer Drive	65-9700	\$11.65
	V-BELT (SET OF 2)	Countershaft Drive	92-9218	\$19.38
Greensmaster 1000	BELT	Reel Drive	65-6200	\$13.70
	BELT	Transport Wheel Drive	65-6210	\$18.83
	BELT	Drum Drive	65-9080	\$32.24
	BELT	Groomer Drive	65-9700	\$11.65
	V-BELT (SET OF 2)	Countershaft Drive (1990-95 - 04050 & 04051)	65-7270	\$12.65
	V-BELT (SET OF 2)	Countershaft Drive (1995 & Up - 04052)	92-9218	\$19.38
Greensmaster 1600 2600	BELT	Reel Drive	65-6200	\$13.70
	BELT	Transport Wheel Drive	65-6210	\$18.83
	BELT	Drum Drive	65-9080	\$32.24
	BELT	Groomer Drive	65-9700	\$11.65
	V-BELT (SET OF 2)	Countershaft Drive	92-9218	\$19.38
Greensmaster Flex 18 1800 1820	BELT	Reel Drive	99-2022	\$15.73
	BELT	Drum Drive	117-1353	\$18.98
	BELT	Groomer Drive	120-2763	\$13.18
	BELT	Reel Drive	115-6743	\$16.64
	BELT	Drum Drive	115-6744	\$12.51
Greensmaster Flex 21 2100 2120	BELT	Reel Drive	99-2022	\$15.73
	BELT	Drum Drive (2001-2005)	99-2023	\$17.75
	BELT	Drum Drive (2006 & Up)	117-1353	\$18.98
	BELT	Groomer Drive	120-2763	\$13.18
	BELT	Reel Drive	115-6743	\$16.64
	BELT	Drum Drive	115-6744	\$12.51
Greensmaster 3000D	V-BELT	Alternator/Water Pump Drive (1989-1996)	67-4410	\$20.88
Greensmaster Cutting Units	MULTI-ROW V-BELT	Groomer Drive (3050 & 3200 Style Cutting Units)	95-0728	\$9.00
	BELT	Groomer Drive (3/300/3000 Style Cutting Units)	65-9700	\$11.65
	BELT	Groomer Drive (DPA Cutting Units)	120-2763	\$13.18
	V-BELT	Right Hand Roller Brush Assembly	105-5720	\$6.96
Greensmaster 3300 3320 3400 3420	V-BELT	Alternator/Engine ASM	119-4486	\$14.49
	V-BELT	Generator and Engine Frame ASM	117-4464	\$23.16

Reelmaster[®]

Equipment	Description	Application	Part No.	Sale Price
Reelmaster 216	V-BELT	Reel Drive	61-3380	\$21.81
	BELT	Jackshaft Drive	61-3390	\$28.49
	MULTI-ROW V-BELT	Pump Drive	61-3400	\$25.84
Reelmaster 216D	V-BELT	Cooling Fan Drive	83-9020	\$9.66
Reelmaster 2000D 2300D 2600D	MULTI-ROW V-BELT	Jackshaft Drive	92-3187	\$33.14
	MULTI-ROW V-BELT	Pump Drive	93-6840	\$21.37
Reelmaster 3100D	MULTI-ROW V-BELT	Pump Drive	95-8730	\$25.86
	V-BELT	Alternator Drive	130-1241	\$17.89
Reelmaster 335D 3500D/3550D 3555D 3575D	BELT	Reel Drive	47-7160	\$18.98
	BELT	Dethatcher Reel Drive	47-7160	\$18.98
	BELT	Timing Belt	74-8830	\$76.18
	BELT	V-Belt Alternator and pulley system	104-3494	\$21.49
	BELT	3V-Belt Piston Pump and Gear Asm	99-3619	\$44.95
Reelmaster 450D	BELT	Reel Drive	47-7160	\$18.98
	BELT	Dethatcher Reel Drive	47-7160	\$18.98
	BELT	Fan Belt	62-6390	\$39.75

QUICK REFERENCE GUIDE

BELTS

Reelmaster® - continued

Equipment	Description	Application	Part No.	Sale Price	
Reelmaster 4000D	BELT	Reel Drive	47-7160	\$18.98	
	BELT	Dethatcher Reel Drive	47-7160	\$18.98	
	V-BELT	Alternator Drive	98-7705	\$16.61	
Reelmaster 4500D	BELT	Reel Drive	47-7160	\$18.98	
	BELT	Dethatcher Reel Drive	47-7160	\$18.98	
Reelmaster 223D	V-BELT	Alternator/Water Pump Drive	67-4410	\$20.88	
Reelmaster 5100D					
Reelmaster 5300D					
Reelmaster 5200D	V-BELT	Alternator Drive	98-9676	\$17.19	
	5400D	BELT	Rear Roller Brush Drive	108-6709	\$10.54
Reelmaster 5500D	V-BELT	Cooling Fan Drive	98-3921	\$11.24	
	V-BELT	Alternator Drive	98-9676	\$17.19	
	BELT	Rear Roller Brush Drive	108-6713	\$15.73	
	BELT	Groomer Drive	108-0617	\$18.06	
Reelmaster 5210	V-BELT	Alternator Drive	98-9676	\$17.19	
	5410	BELT	Rear Roller Brush Drive	110-1746	\$8.43
		BELT	Groomer Drive	108-4497	\$7.08
Reelmaster 5510	V-BELT	Alternator Drive	98-9676	\$17.19	
	5610	BELT	Rear Roller Brush Drive	110-1747	\$10.98
		BELT	Groomer Drive	110-1716	\$12.85
Reelmaster 6500D	MULTI-ROW V-BELT	Alternator Drive - Peugeot	94-3256	\$21.92	
	6700D	V-BELT	Alternator Drive - Kubota	98-9676	\$17.19
	BELT	Rear Roller Brush Drive	108-6713	\$15.73	
	BELT	Timing Belt (1995-2001 serial up to 210999999)	74-8830	\$76.18	
	BELT	Rear Roller Brush Drive (SPA Cutting Units)	108-6713	\$15.73	
	BELT	Groomer Drive (SPA Cutting Units)	108-0617	\$18.06	
	BELT	Rear Roller Brush Drive (DPA Cutting Units)	110-1747	\$10.98	
	BELT	Groomer Drive (DPA Cutting Units)	110-1716	\$12.85	
Reelmaster 7000D	BELT	Alternator/Pulley ASM	120-5824	\$20.74	

Groundsmaster®

Equipment	Description	Application	Part No.	Sale Price	
Groundsmaster 52	V-BELT	PTO Drive (2 Req'd.)	41-9150	\$26.30	
Groundsmaster 62	MULTI-ROW V-BELT	PTO Drive	44-8990	\$24.48	
Groundsmaster 217D	MULTI-ROW V-BELT	PTO Drive	44-8990	\$24.48	
Groundsmaster 220	MULTI-ROW V-BELT	PTO Drive	44-8990	\$24.48	
Groundsmaster Series Decks	V-BELT	52" RD & SD Deck - Spindle Drive	27-1160	\$37.82	
	V-BELT	62" RD & SD Deck - Spindle Drive	44-6260	\$41.16	
	52	V-BELT	62" Guardian - Spindle Drive	92-5588	\$43.85
	62	V-BELT	72" SD Deck - Spindle Drive	57-0240	\$58.98
200	V-BELT	72" SD Deck - Spindle Drive	57-0240	\$58.98	
Groundsmaster 223D	V-BELT	PTO Drive	63-6240	\$39.89	
	V-BELT	Alternator/Water Pump Drive (1992-1997)	67-4410	\$20.88	
Groundsmaster 224	V-BELT	PTO Drive	63-6240	\$39.89	
	V-BELT	Alternator/Water Pump Drive	67-4410	\$20.88	
Groundsmaster 225	V-BELT	PTO Drive	63-6240	\$39.89	
	V-BELT	Alternator/Water Pump Drive (1999-2004)	99-9156	\$50.98	
Groundsmaster 228D	V-BELT	PTO Drive	63-6240	\$39.89	
	V-BELT	Alternator/Water Pump Drive	104-3494	\$21.49	
Groundsmaster 322D	MULTI-ROW V-BELT	PTO Drive	106-4383	\$29.21	
	325D	V-BELT	Alternator Drive	42-9100	\$17.99
		BELT	Fan Belt	43-5910	\$11.71
Groundsmaster 327	MULTI-ROW V-BELT	PTO Drive	106-4383	\$29.21	
Groundsmaster 328D	V-BELT	Alternator Drive	98-9676	\$17.19	
	MULTI-ROW V-BELT	PTO Drive	106-4383	\$29.21	
	BELT	Fan Belt	105-3693	\$26.85	

QUICK REFERENCE GUIDE

BELTS

Groundsmaster® - continued

Equipment	Description	Application	Part No.	Sale Price	
Groundsmaster 345	MULTI-ROW V-BELT	PTO Drive	106-4383	\$29.21	
	V-BELT	Fan Belt	67-8510	\$18.91	
	V-BELT	Alternator Drive (1994-2004)	92-9785	\$12.37	
Groundsmaster 300 Series Decks	V-BELT	72" RD & SD Deck - Spindle Drive (3 Req'd.)	21-0890	\$24.02	
	HEX-BELT	72" Guardian Deck - Spindle Drive	93-8457	\$56.87	
	V-BELT	88" Triflex Center Deck - Spindle Drive	63-1510	\$93.95	
	V-BELT	88" Triflex Wing Decks - Spindle Drive	72-3760	\$17.20	
	V-BELT	72" Flex Deck Center Deck - Spindle Drive	99-9770	\$23.22	
	V-BELT	72" Flex Deck Wing Deck - Spindle Drive	99-9771	\$68.62	
Groundsmaster 1200	V-BELT	GM 1200 Deck	137-3644	\$35.38	
	V-BELT	GM 1200 Deck	137-3645	\$18.86	
Groundsmaster 3000	HEX-BELT	72" SD & RD & Guardian - Spindle Drive	93-8457	\$56.87	
	3000D	V-BELT	84" RD & Guardian - Wing Deck Drive	93-4839	\$28.49
		HEX-BELT	84" RD & Guardian - Center Deck Drive	93-4838	\$63.57
Groundsmaster 3280D	MULTI-ROW V-BELT	PTO Drive	63-6240	\$39.89	
	V-BELT	Alternator/Water Pump Drive	104-3494	\$21.49	
Groundsmaster 3320	MULTI-ROW V-BELT	PTO Drive	63-6240	\$39.89	
	V-BELT	Alternator/Water Pump Drive	99-9156	\$50.98	
Groundsmaster 360	V-BELT	Engine Component Assembly	115-0123	\$21.33	
	V-BELT	Air Conditioning Assembly	117-3399	\$13.19	
	V-BELT	72" Guardian Deck - Right Spindle Drive	110-9592	\$47.21	
	V-BELT	72" Guardian Deck - Left Spindle Drive	110-9593	\$53.55	
	V-BELT	72" SD Deck - Left Spindle Drive	110-9591	\$44.56	
	V-BELT	72" SD Deck - Right Spindle Drive	110-9590	\$49.81	
	V-BELT	Alternator Drive	98-9676	\$17.19	
Groundsmaster 3500D	MULTI-ROW V-BELT	Hydrostat Drive	99-3619	\$44.95	
Groundsmaster 4000D	V-BELT	Spindle Drive	55-7660	\$43.99	
	V-BELT	Alternator Drive	98-7705	\$16.61	
Groundsmaster 4100D	V-BELT	Alternator Drive	98-7705	\$16.61	
Groundsmaster 4300D	V-BELT	Fan / Alternator	98-9676	\$17.19	
Groundsmaster 4500D / 4700D	V-BELT	Alternator Drive	98-7705	\$16.61	
Groundsmaster 455D	MULTI-ROW V-BELT	Alternator Drive	94-3256	\$21.92	
	V-BELT	Wing Decks - Spindle Drive (1992-00 #20000200)	86-1960	\$36.68	
	V-BELT	Wing Decks - Spindle Drive (2000 #20000201-03)	100-2588	\$60.66	
	V-BELT	126" Quadfloat Center Deck - Spindle Drive	86-1970	\$69.13	
	BELT	Timing Belt	74-8830	\$76.18	
Groundsmaster 580D	HEX-BELT	Center Deck - Spindle Drive	93-8457	\$56.87	
	V-BELT	Wing Deck - Spindle Drive	99-2318	\$16.64	
Groundsmaster 5900 / 5910	V-BELT	Center Deck - Spindle Drive	112-7376	\$80.27	
	V-BELT	Center & Wing Deck - Spindle Drive	112-7377	\$27.12	
Groundsmaster 7200	V-BELT	Alternator Drive	98-9676	\$17.19	
	V-BELT	62" Guardian Deck - Left Spindle Drive	110-9595	\$47.31	
	V-BELT	62" Guardian Deck - Right Spindle Drive	110-9594	\$55.94	
	V-BELT	72" Guardian Deck - Left Spindle Drive	110-9593	\$53.55	
	V-BELT	72" Guardian Deck - Right Spindle Drive	110-9592	\$47.21	
	V-BELT	72" SD Deck - Left Spindle Drive	110-9591	\$44.56	
	BELT DRIVE	60" SD Deck - Spindle Drive	105-0887	\$111.99	
	V-BELT	60" SD Deck - Spindle Drive	67-6920	\$44.99	
Aerator					
ProCore 440	V-BELT	72" SD Deck - Right Spindle Drive	110-9590	\$49.81	
	MULTI-ROW V-BELT	Stomper Arm Drive	100-7644	\$39.32	
ProCore 660	MULTI-ROW V-BELT	Tine Drive	100-5392	\$26.60	
	MULTI-ROW V-BELT	Stomper Arm Drive	100-5392	\$26.60	
ProCore 864	MULTI-ROW V-BELT	Primary Drive Belt	105-0989	\$50.75	
	MULTI-ROW BELT	Secondary Drive Belt	105-0991	\$61.83	
1298	MULTI-ROW BELT	Secondary Drive Belt	110-4327	\$112.40	

QUICK REFERENCE GUIDE

BELTS

Workman

Equipment	Description	Application	Part No.	Sale Price
Workman 1100	MULTI-ROW BELT	Transmission Drive	99-7143	\$69.16
Workman 1300D	V-BELT	Hydraulic Pump Drive	93-7140	\$11.18
	V-BELT	Alternator/Water Pump Drive	98-2947	\$14.04
Workman 2100 2110	V-BELT	Starter	99-7133	\$14.04
	V-BELT	CVT Transmission Drive	99-7144	\$51.19
Workman 3100 3120	V-BELT	Hydraulic Pump Drive	87-8370	\$12.15
Workman 3200 4200	V-BELT	Governor Drive (1993-2001)	87-3200	\$10.11
	V-BELT	Hydraulic Pump Drive (1993-2001)	87-3210	\$10.77
	V-BELT	Hydraulic Pump Drive (2002 & Up)	93-7140	\$11.18
	V-BELT	Alternator/Water Pump Drive (1993-2001)	92-2041	\$10.54
	V-BELT	Alternator/Water Pump Drive (2002 & Up)	99-9156	\$50.98
Workman 210 3220 3420	V-BELT	Governor Drive	87-3200	\$10.11
	V-BELT	Alternator/Water Pump Drive	92-2041	\$10.54
Workman 3300D 4300D	V-BELT	Hydraulic Pump Drive (1993-1997)	87-3210	\$10.77
	V-BELT	Hydraulic Pump Drive (1998 & Up)	93-7140	\$11.18
	V-BELT	Alternator/Water Pump Drive (1993-1997)	67-4410	\$20.88
	V-BELT	Alternator/Water Pump Drive (1998-2001)	98-2947	\$14.04
	V-BELT	Alternator/Water Pump Drive (2002 & Up)	99-9156	\$50.98
Workman 3310D 3320D	V-BELT	Hydraulic Pump Drive	93-7140	\$11.18
	V-BELT	Alternator/Water Pump Drive	98-2947	\$14.04
Workman MD	V-BELT	Starter	112-3131	\$18.89
	MULTI-ROW BELT	Transmission Drive	99-7143	\$69.16
Workman MDX	V-BELT	Starter	112-2911	\$22.85
	MULTI-ROW BELT	Transmission Drive	112-2912	\$58.09
	V-BELT	Engine, Clutch/Air Cleaner	136-6296	\$62.27
Workman MDX-D	V-BELT	Starter	112-2511	\$35.68
Workman HD	V-BELT	Hydraulic Pump Drive	87-8370	\$12.15
Workman HDX/HDX-D	V-BELT	Alternator/Water Pump Drive (2009-2013)	117-4922	\$39.59
	V-BELT	Alternator/Water Pump Drive (2013 & Up)	110-3796	\$41.99
HDX Auto	BELT-CVT	Belt-Gearbox Assembly	121-9612	\$60.81

Multi Pro

Equipment	Description	Application	Part No.	Sale Price
1100	BELT	Traction Drive	41679	\$103.15
1200	BELT	Engine and Gearbox Assembly	117-5896	\$36.55
1250	BELT	Engine and Gearbox Assembly	117-5896	\$36.55
1750	BELT - SYNCHRONOUS	Engine Mount	125-0765	\$56.95
5700	V-BELT	Alternator Drive	98-9676	\$17.19
5800	V-BELT	Alternator Drive	98-9676	\$17.19

Specialty Turf Equipment

Equipment	Description	Application	Part No.	Sale Price
ProCore Core Processor	V-BELT	Engine Drive (Set of 3)	110-2772	\$56.20
	V-BELT	Chopper Drive	115-8957	\$31.66
	BELT	Brush Drive	112-4254	\$44.83
	V-BELT	Corner Shaft	115-2951	\$10.38
Rac-O-Vac Sweeper	V-BELT	Engine & Clutch / Muffler Assembly	13-2650	\$137.25
	V-BELT	Impeller / Engine, Clutch & Muffler Assembly	93-0183	\$134.08
	V-BELT	Guard Assembly	93-4034	\$158.37
ProStripe 560	BELT	BELT-VARIATOR (520)	411024	\$7.27

QUICK REFERENCE GUIDE

NOTES

QUICK REFERENCE GUIDE

ROLLERS

Groundsmaster[®]

Equipment	Description	Part No.	Sale Price	
Groundsmaster 3500D/3505D/4000D/4100D/4500D/4700D/5900D/5910/7200/7210/360	ROLLER ASM - UHMW*	131-7800	\$78.72	
	BALLAST KIT - UHMW ROLLER, 27" CU	136-2881	\$55.16	
	BALLAST KIT - UHMW ROLLER, 22" CU	136-2915	\$67.53	
	ROLLER ASSEMBLY	136-2908	\$129.98	
	ROLLER AND BRACKET KIT	112-5291	\$263.83	
	ROLLER ASSEMBLY (2007 & UP)	112-5265	\$250.02	
	CENTER DECK ROLLER	93-4803	\$21.76	
	CENTER DECK ROLLER	68-6710	\$34.00	
	PLASTIC ROLLER (GM 4500D/4700D)	105-9816	\$32.86	
	ROLLER (GM 3500D/4300/4500D/4700D)	104-1093	\$105.51	
	ROLLER (GM 4000D/4100D/7200/7210)	29-4820	\$7.60	
	Groundsmaster 200/300 Series	REAR ROLLER	36-1740	\$18.39
		FRONT ROLLER	68-6710	\$34.00
		FRONT ROLLER (GM 300 SERIES)	31-0750	\$21.01
		WHEEL GAGE (GM 300 SERIES)	93-4747	\$18.32

Greensmaster[®] - Walkers

Equipment	Description	Length (inches)	Part No.	Sale Price	
Greensmaster 800 1000/1600 2000/2600	WIDE WIEHLE ROLLER ASSEMBLY (GR 800)	19.1	98-7264	\$169.01	
	NARROW WIEHLY ROLLER ASSEMBLY (GR 800)	19.1	99-6240	\$187.39	
	WIDE WIEHLE ROLLER ASSEMBLY - CAST (GR 1000)	22.15	71-1550	\$147.60	
	WIEHLE ROLLER ASSEMBLY - ALUMINUM (GR 1000)	22.15	88-6790	\$167.80	
	WIEHLE ROLLER ASSEMBLY - 0.20" SPACING (GR 1000/2000)	22.15	99-6241	\$258.48	
	WIEHLE ROLLER ASSEMBLY (GR 1600/2600)	27.31	93-9039	\$247.75	
	FULL ROLLER ASSEMBLY (GR 1000)	22.15	52-3170	\$116.30	
	FULL ROLLER ASSEMBLY (GR 1600)	27.31	95-0930	\$222.08	
	FULL ROLLER ASSEMBLY (GR 800)	19.1	104-2640	\$121.69	
	FULL ROLLER ASSEMBLY 21" (GR 1000)	22.15	104-2642	\$176.83	
	Greensmaster 1018	FULL ROLLER ASSEMBLY	18	138-1618	\$224.38
		WIEHLE ROLLER INTERLACED NARROW ASSEMBLY	18	138-1547	\$254.98
	Greensmaster 1021	FULL ROLLER	21	138-1619	\$163.59
WIEHLE ROLLER WIDE ASSEMBLY		21	138-1621	\$206.02	
Greensmaster 1026	FULL ROLLER ASSEMBLY	26	138-1620	\$193.78	
	WIEHLE ROLLER WIDE ASSEMBLY	26	138-1622	\$229.48	
Greensmaster Flex 18/21	FULL REAR ROLLER ASSEMBLY (FLEX 21)	22.15	115-7356	\$197.69	
	WIEHLE ROLLER ASSEMBLY - WIDE SPACING (FLEX 21)	22.15	115-7386	\$233.93	
	WIEHLE ROLLER ASSEMBLY - NARROW SPACING (FLEX 21)	22.15	115-7360	\$305.33	
	WIEHLE ROLLER TUBE - NARROW SPACING	22.15	104-0540	\$185.38	
	2.5" FULL ROLLER ASSEMBLY (FLEX 18)	19.15	120-9611	\$403.09	
	TUBE - 2" FULL ROLLER (FLEX 18)	19.15	110-2220	\$92.40	
	WIEHLE ROLLER ASSEMBLY - WIDE SPACING (FLEX 18)	19.15	120-9609	\$387.96	
	TUBE - WIEHLE NARROW SPACING (FLEX 18)	19.15	110-2221	\$184.81	
	TUBE - WIEHLE WIDE SPACING (FLEX 18)	19.15	110-2227	\$184.86	
	AUXILIARY ROLLER ASSEMBLY	N/A	108-4339	\$41.45	
	ROLLER - AUXILIARY	N/A	108-4334	\$30.27	
	WIDE WIEHLE ROLLER KIT	19.15	120-9609	\$387.96	
	STEEL ROLLER	22.15	107-3509	\$153.45	
FULL ROLLER ASSEMBLY (FLEX 21)	22.15	115-7356	\$197.69		

Greensmaster[®] - Riders

Equipment	Description	Length (inches)	Part No.	Sale Price
Greensmaster 3/300/3000 Style Cutting Units*	REAR ROLLER ASSEMBLY	N/A	52-3120	\$102.67
	REAR ROLLER ASSEMBLY	21.62	21-8450	\$108.74
	WIEHLE ROLLER ASSEMBLY (1989 & OLDER)	22.15	52-3200	\$161.71
	WIEHLE ROLLER ASSEMBLY - CAST (1990 & UP)	22.15	71-1550	\$147.60
	WIEHLE ROLLER ASSEMBLY - ALUMINUM (1990 & UP)	22.15	88-6790	\$167.80
	FULL ROLLER ASSEMBLY	22.15	52-3170	\$116.30
	STEEL ROLLER	22.15	107-3509	\$153.45

QUICK REFERENCE GUIDE

ROLLERS

Greensmaster[®] - Riders - continued

Equipment	Description	Length (inches)	Part No.	Sale Price
Greensmaster 3200/3250 Cutting Units	REAR ROLLER ASSEMBLY (4 BOLT ADJUSTMENT CUTTING UNIT)	20.75	95-2910	\$127.09
	ANTI-SCALP ROLLER GR 3250	N/A	99-4210	\$12.81
	FULL ROLLER ASSEMBLY	22.15	120-9595	\$199.19
	WIEHLE ROLLER TUBE	22.15	104-0540	\$185.38
	WIEHLE ROLLER ASSEMBLY (0.20" SPACING)	22.15	115-7360	\$305.33
	WIEHLE ROLLER ASSEMBLY (0.93" SPACING)	22.15	115-7386	\$233.93
Greensmaster Dethatcher/Tri-Roller/Spiker Assemblies	STEEL ROLLER (3250)	22.15	107-3509	\$153.45
	ROLLER ASSEMBLY	19.38	95-5943	\$150.05
	ANTI-SCALP ROLLER	N/A	99-4210	\$12.81
Greensmaster 3300/3320/3400/3420	REAR ROLLER ASSEMBLY (SPIKER/TRI-ROLLER)	20.75	99-1615	\$192.00
	REAR FULL ROLLER ASSEMBLY	22.15	119-4093	\$154.00
	STEEL ROLLER	22.15	107-3509	\$153.45

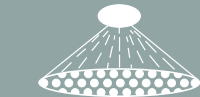
Reelmaster[®]

Equipment	Description	Length (inches)	Part No.	Sale Price
Reelmaster 216/216D/2000D/2300D/2600D/3100D	27" ROLLER ASSEMBLY	N/A	61-0410	\$179.62
	32" SOLID ROLLER ASSEMBLY	N/A	94-4982	\$179.69
	27" WIEHLE ROLLER TUBE	27.78	104-1386-0P	\$261.68
	32" WIEHLE ROLLER TUBE	32.4	104-1389-0P	\$292.64
	27" WIEHLE ROLLER ASSEMBLY (1993- 2002)	27.64	92-1846	\$263.60
	27" WIEHLE ROLLER ASSEMBLY (2003 AND UP)	27.75	104-1385	\$372.25
	27" VERTICUTTER ROLLER RM 3100D (2006 AND UP)	N/A	108-4293	\$8.96
	27" FULL FRONT ROLLER ASSEMBLY (2010 & UP)	27.00	117-3759	\$329.58
	27" REAR ROLLER ASSEMBLY (2010 & UP)	27.00	117-3756	\$308.98
	27" PLASTIC SHOULDER ROLLER (2010 & UP)	27.00	119-0631	\$333.28
	32" WIEHLE ROLLER ASSEMBLY (1993 - 2002)	32.4	94-4993	\$249.84
	32" WIEHLE ROLLER ASSEMBLY (2003 AND UP)	32.4	104-1388	\$420.99
	32" FULL FRONT ROLLER ASSEMBLY (2010 & UP)	N/A	114-9384	\$360.00
32" WIEHLE ROLLER ASSEMBLY (2010 & UP)	N/A	117-0990	\$396.00	
32" PLASTIC SHOULDER ROLLER ASM (2010 & UP)	32.62	119-0640	\$350.18	
Reelmaster 335D/3500D/450D/4500D	REAR ROLLER ASSEMBLY	30.1	59-5630	\$218.23
	WIEHLE ROLLER ASSEMBLY (34.25" ROLLER)	2.75	62-6130	\$282.26
	WIEHLE ROLLER ASSEMBLY (33.25" ROLLER)	33.25	84-6080	\$241.31
	FRONT ROLLER ASSEMBLY (33.25" ROLLER)	30.1	59-5630	\$218.23
Reelmaster 223D/5100D/5200D/5300D/5500D	WIEHLE ROLLER ASSEMBLY	23.22	75-1520	\$217.64
	PREMIUM REAR ROLLER ASSEMBLY	19.24	94-0694	\$245.50
	ROLLER ASSEMBLY	21.872	100-2536	\$202.53
Reelmaster Dethatching Reel Parts 223D/5100D/5200D/5300D/5500D	REAR ROLLER ASSEMBLY	23	114-5404	\$155.95
	WIEHLE ROLLER ASSEMBLY	23.22	75-1520	\$217.64
Reelmaster 5010-H/5210/5410/5510/5610	2.5" SHORT REAR ROLLER ASSEMBLY (RM 5210/5410 2006-07)	20.5	114-5406	\$232.12
	2.5" LONG REAR ROLLER ASSEMBLY (RM 5210/5410 2006-07)	23	114-5404	\$155.95
	3" LONG REAR ROLLER ASSEMBLY (RM 5210/5410 2006 & UP)	23	114-5415	\$232.12
	2.5" SHORT REAR ROLLER ASSEMBLY (RM 5210/5410 2008 & UP)	20.5	114-5406	\$232.12
	3" SHORT REAR ROLLER ASSEMBLY (RM 5210/5410 2008 & UP)	20.5	114-5417	\$232.12
	2.5" LONG REAR ROLLER ASSEMBLY (RM 5210/5410 2008 & UP)	23	114-5404	\$155.95
	2.5" SHORT REAR ROLLER TUBE (RM 5210/5410 2008 & UP)	17.875	115-8293-03	\$145.76
	3" LONG REAR ROLLER TUBE (RM 5210/5410 2008 & UP)	20.375	115-8292-03	\$172.65
	3" FULL FRONT ROLLER ASSEMBLY (RM 5210/5410/5510/5610 2006 & UP)	24.5	114-5412	\$232.12
	2.5" FULL FRONT ROLLER ASSEMBLY	24.5	114-5419	\$232.12
	3" FRONT FULL ROLLER TUBE (RM 5210/5410/5510/5610 2006-07)	24.5	110-9612-03	\$127.40
	2.5" FULL FRONT ROLLER TUBE (RM 5210/5410/5510/5610 2008 & UP)	21.875	115-8295-03	\$153.75
	PLASTIC SHOULDER FRONT ROLLER ASSEMBLY (2008 & UP)	24.5	114-5421	\$304.23
	FRONT PLASTIC SHOULDER ROLLER TUBE (2008 & UP)	24.5	114-5422	\$330.61
	PLASTIC WIEHLE FRONT ROLLER ASSEMBLY	24.5	114-5400	\$299.37
	PLASTIC WIEHLE FRONT ROLLER ASSEMBLY (2008 & UP)	24.5	114-5401	\$156.26
	KICKSTAND ROLLER (VERTICUTTER)	N/A	108-4293	\$8.96

1 CHOOSE YOUR NOZZLE

SYSTEMIC NOZZLES

	EXCELLENT	VERY GOOD	GOOD
Herbicides			
Soil Incorporated	•		
Pre-Emergence	•		
Post-Emergence		•	
Fungicides		•	
Insecticides		•	
Liquid Fertilizer	•		
Drift	•		



Systemic nozzles provide excellent spray distribution through a wide angle, flat spray pattern. These nozzles are excellent at reducing spray drift.

AIC TeeJet® (Air Induction Flat Fan)

The AIC TeeJet® (Air Induction Flat Fan) nozzle is a good general purpose nozzle that can be used for both contact and systemic applications. The spray pattern is 110 degrees with tapered edges similar to a standard flat fan. This nozzle produces coarse air-filled droplets with a venturi air aspirator. The air-filled drops reduce spray drift but provide good contact coverage. Air Induction nozzles can be operated at higher spray pressures without creating excessive spray drift. Distribution AIC nozzles are best when used at pressures above 30 psi.



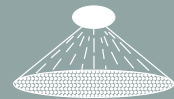
TurfJet Wide Angle Flat Spray

The TurfJet is a wide 130 degree angle nozzle with a tapered fan pattern. The TurfJet is best suited for systemic applications where distribution quality is the primary goal. The TurfJet creates extra coarse droplets and provides good drift control. Distribution quality is excellent at all pressures.



CONTACT NOZZLES

	EXCELLENT	VERY GOOD	GOOD
Herbicides			
Soil Incorporated			
Pre-Emergence			
Post-Emergence	•		•
Fungicides	•		•
Insecticides	•		•
Liquid Fertilizer		•	•
Drift			•



Contact nozzles provide excellent spray distribution over a wide range of pressures. These nozzles allow for better coverage at higher pressures.

Toro exclusive Air Induction Turbo Twin Jet in the 0.8, 1.0 and 1.5 sizes.

Air Induction Turbo TwinJet®

The Air Induction Turbo TwinJet® is an air induction style nozzle with two separate 110 degree spray patterns. One spray pattern is directed forward of vertical and the second pattern is directed rear of vertical. This nozzle creates medium and coarse droplets and is an excellent nozzle for contact applications where drift control is needed. The two independent spray patterns improve contact coverage by spraying the turf at two different angles.

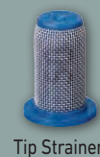


XRC TeeJet® Flat Fan

The Standard XRC Flat Fan nozzle has a 110 degree tapered spray pattern and produces medium and fine droplets. Because of the smaller droplets the Standard XRC Flat Fan is best suited for contact applications where drift control is not needed.



	CONTACT PRODUCTS	SYSTEMIC PRODUCTS	DRIFT CONTROL
AIC	GOOD	EXCELLENT	EXCELLENT
AI Turbo TwinJet	EXCELLENT	GOOD	GOOD
TurfJet	POOR	EXCELLENT	EXCELLENT
XRC	EXCELLENT	GOOD	POOR



Tip Strainer

4 SELECT THE DESIRED MAIN SUCTION LINE FILTER

Description	80 mesh 100-6992	50 mesh 100-8642	30 mesh 100-6991
Part Number	100-6992	100-8642	100-6991

3 ORDER THE CORRECT CAPS, GASKETS AND TIP STRAINERS

Cap	Gasket †	Tip Strainer
AIC	40998	120-0698 or 120-0699
AI Turbo TwinJet	40998	120-0698 or 120-0699
TurfJet	40998	120-0698 or 120-0699
XRC	40998	120-0698 or 120-0699

† Gaskets are included with the nozzles/caps. Order if extra gaskets are required.

2 Nozzle Selection Guide

REMEMBER TO FILL ALL THREE NOZZLES on your turret to complete a variety of applications.

Multi Pro Spray Nozzle Selection Guide

Color Code	Nozzle Options	Toro Part#	Spray Pressure in PSI	Capacity 1 Nozzle in GPM	Flow oz per min	Gallons Per Acre - 20" Nozzle Spacing																
						3 mph	3.5 mph	4 mph	4.5 mph	5 mph	5.5 mph	6 mph	6.5 mph	7 mph	2.5 mph	3 mph	3.5 mph	4 mph	4.5 mph	5 mph	5.5 mph	6 mph
Red 0.4 gpm*	AIC AI Turbo TwinJet** TurfJet** XRC Tip Strainer - 50	120-0701 120-0708 95-9222 117-5834 120-0699	20 30 40 50 60 70	0.28 0.35 0.40 0.45 0.49 0.53	36 45 51 58 63 68	27.7 34.7 39.6 44.6 48.5 52.5	29.7 36.5 42.4 47.5 51.8 56.0	26.0 31.9 37.1 41.6 45.3 49.0	23.1 28.4 33.0 37.0 40.3 43.6	18.9 23.2 27.0 30.2 32.9 35.6	15.1 18.9 21.6 24.3 26.5 28.6	13.9 17.3 19.8 22.3 24.3 26.2	12.8 16.0 18.3 20.6 22.4 24.2	11.9 14.9 17.0 19.1 20.8 22.5	0.76 0.95 1.09 1.22 1.33 1.44	0.63 0.79 0.91 1.02 1.11 1.20	0.54 0.68 0.78 0.87 0.95 1.03	0.48 0.60 0.68 0.77 0.83 0.90	0.42 0.53 0.60 0.68 0.74 0.80	0.38 0.43 0.49 0.54 0.56 0.61 0.66	0.35 0.43 0.49 0.54 0.56 0.61 0.66	0.32 0.40 0.45 0.51 0.56 0.60
Brown 0.5 gpm*	AIC AI Turbo TwinJet** TurfJet** XRC Tip Strainer - 50	120-0702 120-0709 95-9223 117-5835 120-0699	20 30 40 50 60 70	0.35 0.43 0.50 0.56 0.61 0.66	45 55 64 72 78 84	34.7 42.6 49.5 55.4 60.4 65.3	36.5 42.4 47.5 51.8 56.0	31.9 37.1 41.6 45.3 49.0	28.4 33.0 37.0 40.3 43.6	23.2 27.0 30.2 32.9 35.6	18.9 23.2 27.0 30.2 32.9 35.6	17.3 21.3 24.8 27.7 30.2 32.7	16.0 19.7 22.9 25.6 27.9 30.2	14.9 18.2 21.2 23.8 25.9 28.0	0.95 1.17 1.36 1.52 1.66 1.80	0.79 0.97 1.13 1.27 1.38 1.50	0.68 0.84 0.97 1.09 1.19 1.28	0.60 0.73 0.85 0.95 1.04 1.12	0.53 0.65 0.76 0.85 0.92 1.00	0.48 0.58 0.68 0.76 0.83 0.90	0.43 0.53 0.62 0.69 0.75 0.82	0.40 0.49 0.57 0.63 0.69 0.75
Gray 0.6 gpm*	AIC AI Turbo TwinJet** TurfJet** XRC Tip Strainer - 50	120-0703 120-0710 95-9224 117-5836 120-0699	20 30 40 50 60 70	0.42 0.52 0.60 0.67 0.73 0.79	54 67 77 86 93 101	41.6 51.5 59.4 66.3 72.3 78.2	35.6 44.1 50.9 56.9 62.0 67.0	31.2 38.6 44.6 49.8 54.2 58.7	27.7 34.3 39.6 44.2 48.2 52.1	22.7 28.1 32.4 36.2 39.4 42.7	20.8 25.5 29.7 33.3 36.2 39.2	20.8 25.7 29.7 33.2 36.1 39.1	19.2 23.8 27.4 30.6 33.4 36.1	17.8 22.1 25.5 28.4 31.0 33.5	1.14 1.41 1.63 1.82 1.99 2.15	0.95 1.18 1.36 1.52 1.65 1.79	0.82 1.01 1.17 1.30 1.42 1.53	0.71 0.88 1.02 1.14 1.24 1.34	0.63 0.79 0.91 1.01 1.10 1.19	0.57 0.71 0.82 0.91 0.99 1.07	0.52 0.64 0.74 0.83 0.90 0.98	0.48 0.59 0.68 0.76 0.83 0.90
White 0.8 gpm*	AIC AI Turbo TwinJet TurfJet** XRC Tip Strainer - 50	120-0704 120-0711 95-9225 117-5837 120-0699	20 30 40 50 60 70	0.57 0.69 0.80 0.89 0.98 1.06	73 88 102 114 125 136	56.4 68.3 79.2 88.1 97.0 104.9	48.4 58.6 67.9 75.5 83.2 90.0	42.3 51.2 59.4 66.1 72.8 78.7	37.6 45.5 52.8 58.7 64.7 70.0	30.8 37.3 43.2 48.1 52.9 57.2	28.2 34.2 39.6 44.1 48.5 52.5	26.0 31.5 36.6 40.7 44.8 48.4	24.2 29.3 33.9 37.8 41.6 45.0	24.2 29.3 33.9 37.8 41.6 45.0	1.55 1.88 2.18 2.42 2.67 2.88	1.29 1.56 1.81 2.02 2.22 2.40	1.11 1.34 1.55 1.73 1.90 2.06	0.97 1.17 1.36 1.51 1.67 1.80	0.86 1.04 1.21 1.34 1.48 1.60	0.78 0.94 1.09 1.21 1.33 1.44	0.70 0.85 0.99 1.10 1.21 1.31	0.65 0.78 0.91 1.01 1.11 1.20
Blue 1.0 gpm*	AIC AI Turbo TwinJet TurfJet** XRC Tip Strainer - 50	120-0705 120-0712 95-9188 117-5838 120-0699	20 30 40 50 60 70	0.71 0.87 1.00 1.12 1.22 1.32	91 111 128 143 156 169	70.3 86.1 99.0 110.9 120.8 130.7	60.3 73.8 84.9 95.0 103.5 112.0	52.7 64.6 74.3 83.2 90.6 98.0	46.9 57.4 66.0 73.9 80.5 87.1	38.3 47.0 54.0 60.5 65.9 71.3	35.2 43.1 49.5 55.4 60.4 65.3	32.4 39.8 45.7 51.2 55.7 60.3	30.1 36.9 42.4 47.5 51.8 56.0	30.1 36.9 42.4 47.5 51.8 56.0	1.93 2.37 2.72 3.05 3.32 3.59	1.61 1.97 2.27 2.54 2.77 2.99	1.38 1.69 1.94 2.18 2.37 2.56	1.21 1.48 1.70 1.90 2.07 2.24	1.07 1.31 1.51 1.69 1.84 1.99	0.97 1.18 1.36 1.52 1.66 1.80	0.88 1.08 1.24 1.38 1.51 1.63	0.80 0.99 1.13 1.27 1.38 1.50
Green 1.5 gpm*	AIC AI Turbo TwinJet TurfJet** XRC Tip Strainer - 50	120-0706 120-0713 95-9226 117-5839 120-0699	20 30 40 50 60 70	1.06 1.30 1.50 1.68 1.84 1.98	136 166 192 215 236 253	104.9 128.7 148.5 166.3 182.2 196.0	90.0 110.3 127.3 142.6 156.1 168.0	78.7 96.5 111.4 124.7 136.6 147.0	70.0 85.8 99.0 110.9 121.4 130.7	57.2 70.2 81.0 90.7 99.4 106.9	52.5 64.4 74.3 83.2 91.1 98.0	48.4 59.4 68.5 76.8 84.1 90.5	45.0 55.2 63.6 71.3 78.1 84.0	45.0 55.2 63.6 71.3 78.1 84.0	2.88 3.54 4.08 4.57 5.00 5.39	2.40 2.95 3.40 3.81 4.17 4.49	2.06 2.53 2.91 3.26 3.57 3.85	1.80 2.21 2.55 2.86 3.13 3.37	1.60 1.96 2.27 2.54 2.78 2.99	1.44 1.77 2.04 2.28 2.50 2.69	1.31 1.61 1.85 2.08 2.27 2.45	1.20 1.47 1.70 2.08 2.27 2.45



Multi Pro Spray Nozzle Selection Guide

Color Code	Nozzle Options	Toro Part#	Spray Pressure	Flow in l/min Bar	Liters Per Hectare - 50 cm Spacing									
					4 km/h	5 km/h	6 km/h	7 km/h	8 km/h	9 km/h	10 km/h	12 km/h	14 km/h	
Red 0.4 gpm*	AIC	120-0701	1.0	0.91	273	218	182	156	137	121	109	91.0	78.0	80 mesh 100-6992
	AI Turbo TwinJet**	120-0708	1.5	1.12	336	269	224	192	168	149	134	112	96.0	
	TurfJet**	95-9222	2.0	1.29	387	310	258	221	194	172	155	129	111	
	XRC	117-5834	3.0	1.58	474	379	316	271	237	211	190	158	135	
	Tip Strainer - 50	120-0699	4.0	1.82	546	437	364	312	273	243	218	182	156	
Brown 0.5 gpm*	AIC	120-0702	1.0	1.14	342	274	228	195	171	152	137	114	97.7	50 mesh 100-6992 (Standard Equipment)
	AI Turbo TwinJet**	120-0709	1.5	1.39	417	334	278	238	209	185	167	139	119	
	TurfJet**	95-9223	2.0	1.61	483	386	322	276	242	215	193	161	138	
	XRC	117-5835	3.0	1.97	591	473	394	338	296	263	236	197	169	
	Tip Strainer - 50	120-0699	4.0	2.27	681	545	454	389	341	303	272	227	195	
Gray 0.6 gpm*	AIC	120-0703	1.0	1.37	411	329	274	235	206	183	164	137	117	30 mesh 100-6991
	AI Turbo TwinJet**	120-0710	1.5	1.68	504	403	336	288	252	224	202	168	144	
	TurfJet**	95-9224	2.0	1.94	582	466	388	333	291	259	233	194	166	
	XRC	117-5836	3.0	2.37	711	569	474	406	356	316	284	237	203	
	Tip Strainer - 50	120-0699	4.0	2.74	822	658	548	470	411	365	329	274	235	
White 0.8 gpm*	AIC	120-0704	1.0	1.82	546	437	364	312	273	243	218	182	156	
	AI Turbo TwinJet	120-0711	1.5	2.23	669	535	446	382	335	297	268	223	191	
	TurfJet**	95-9225	2.0	2.58	774	619	516	442	387	344	310	258	221	
	XRC	117-5837	3.0	3.16	948	758	632	542	474	421	379	316	271	
	Tip Strainer - 50	120-0699	4.0	3.65	1095	876	730	626	548	487	438	365	313	
Blue 1.0 gpm*	AIC	120-0705	1.0	2.28	684	547	456	391	342	304	274	228	195	
	AI Turbo TwinJet	120-0712	1.5	2.79	837	670	558	478	419	372	335	279	239	
	TurfJet**	95-9188	2.0	3.23	969	775	646	554	485	431	388	323	277	
	XRC	117-5838	3.0	3.95	1185	948	790	677	593	527	474	395	339	
	Tip Strainer - 50	120-0699	4.0	4.56	1368	1094	912	782	684	608	547	456	391	
Green 1.5 gpm*	AIC	120-0706	1.0	3.42	1026	821	684	586	513	456	410	342	293	
	AI Turbo TwinJet	120-0713	1.5	4.19	1257	1006	838	718	629	559	503	419	359	
	TurfJet**	95-9226	2.0	4.83	1449	1159	966	828	725	644	580	483	414	
	XRC	117-5839	3.0	5.92	1776	1421	1184	1015	888	789	710	592	507	
	Tip Strainer - 50	120-0699	4.0	6.84	2052	1642	1368	1173	1026	912	821	684	586	
			5.0	7.64	2292	1834	1528	1310	1146	1019	917	764	655	

* Recommended Valve Cal setting in Pro Control/XP: 46 for nozzles 0.2 gpm and 0.4 gpm. Use 23 for 0.5 gpm and higher.
 ** TurfJet and TwinJet Air nozzles are not compatible with the Toro Drift Reduction Boom Shroud. Application rates shown for nozzle selection purposes only. Verify actual rate before spraying. Speeds shown are for reference only. Always limit speed to maintain safe operation based on operating conditions.

TeeJet and TwinJet are registered trademarks of Spraying Systems Co.



PARTS LIST

PARTS LIST

Part Number	Description	Sale Price
01-100-0260	BEARING-FLANGE	\$59.03
01-264-0230	BELT 3/3V800 **NO COG**	\$53.10
01-268-0160	PULLEY-IDLER	\$67.01
01-279-0010	FINGER-RUBBER	\$2.90
01-283-0030	BLADE-SLICING, 4IN	\$6.71
01-283-0040	BLADE SLICING 6"	\$8.96
01-283-0090	THATCHER-BLADE	\$14.89
01-317-0240	FILTER ELEMENT	\$7.40
08725	400 HOUR MVP KIT SAND PRO	\$384.63
100-1270	SWITCH-PROXIMITY	\$43.05
100-1535	SWITCH-ROCKER, (ON)-OFF-(\$55.53
100-1854	PLUG-GLOW	\$44.86
100-2261-01	BRACKET-HOC, FRONT	\$22.61
100-2262-01	REAR HOC BRACKET ASM	\$22.61
100-2263	SUPPORT-ROD	\$80.29
100-2267-01	SIDEPLATE	\$26.53
100-2268-01	LH SIDEPLATE ASM	\$26.53
100-2276	SPACER-FRAME	\$10.25
100-2287	DEFLECTOR-SHIELD, GRASS	\$2.62
100-2289	REAR GRASS SHIELD ASM	\$90.36
100-2348	RIM ASM	\$31.12
100-2536	ROLLER ASM	\$202.53
100-2538	SHAFT-ROLLER	\$59.66
100-2582	RIM	\$63.93
100-2588	V-BELT, B-SECTION	\$60.66
100-3017	PIN-ARM, LIFT	\$96.66
100-3031	RH LIFT ARM ASM	\$366.30
100-3032	LH LIFT ARM ASM	\$366.30
100-3052	PISTON MOTOR ASM	\$1,584.53
100-3069	RH BRAKE ASM	\$524.82
100-3070	LH BRAKE ASM	\$524.82
100-3172-03	SCREEN ASM	\$156.44
100-3190-03	ENGINE MOUNT ASM	\$142.68
100-3192	ELEMENT-FILTER, FUEL	\$72.02
100-3350	BEDKNIFE-HIGHCUT (FAIRWAY	\$41.65
100-3380	RH PIVOT HUB ASM	\$29.00
100-3381	LH PIVOT HUB ASM	\$29.00
100-3620	TINE-NEEDLE, 5MM X 6.43	\$3.18
100-3621	TINE-NEEDLE, 8MM X 7.38	\$4.10
100-3694	SCREW-HSH	\$1.60
100-3695	3 TINE HEAD ASM	\$187.73
100-3696	4 TINE HEAD ASM	\$251.09
100-3795	JOINT-BALL	\$50.27
100-3814	SLEEVE-PROTECTIVE	\$62.18
100-3833	HOSE-HYD	\$47.84
100-3876	HYD HOSE ASM	\$114.87
100-3877	HYD HOSE ASM	\$116.80
100-3878	HYD HOSE ASM	\$133.90
100-3879	HYD HOSE ASM	\$128.23
100-4161	REAR ROLLER REELMASTER GA	\$69.53
100-4181	FRONT GRASS SHIELD ASM	\$64.52
100-4194	CARRIER FRAME ASM	\$182.58
100-4240	FITTING-STR	\$10.99
100-4809	HOSE-RADIATOR, LOWER	\$46.08
100-4810	MUFFLER	\$351.05
100-4815	CABLE-CONTROL, TRACTION	\$82.10
100-4817	SPACER	\$6.29
100-4824	AIR CLEANER ASM	\$114.64
100-4825	BAND-MOUNTING, AIR CLEANE	\$37.63
100-4838-03	MOUNT-ENGINE	\$126.93

Part Number	Description	Sale Price
100-4866	GROMMET	\$8.97
100-4869	COOLER-OIL	\$527.65
100-4872	PLATE-SWITCH, NEUTRAL	\$6.36
100-4876	HOSE-HYD	\$61.74
100-4880	HOSE-HYD	\$137.67
100-4890	FITTING-CHECK	\$46.40
100-4891	HOSE-HYD	\$84.77
100-4892	HOSE-HYD	\$75.30
100-4903-03	FRAME-RADIATOR	\$143.51
100-4918	DIODE	\$13.28
100-4926	BEARING-ALIGNING, SELF	\$18.74
100-4928	BELT-SEAT	\$175.56
100-4929	SLOPE INDICATOR ASM	\$59.90
100-4930-03	CARRIER ASM	\$582.20
100-4939-03	CARRIER-SIDEWINDER	\$562.94
100-4944	SHAFT-PIVOT, CUTTING UNIT	\$49.05
100-4959	COLLAR	\$11.66
100-4992	BRACKET-SPRING	\$4.51
100-4994-01	FRAME-REEL	\$264.29
100-5024	PIN-CLEVIS	\$5.72
100-5384	BEARING-BALL	\$14.39
100-5386	BEARING-ROLLER	\$21.41
100-5392	BELT-5VX	\$26.60
100-5396	BEARING-ROLLER	\$27.11
100-5414	GUARD-TURF, 3 TINE 5 FING	\$54.17
100-5415	GUARD-TURF, 3 TINE 3 FING	\$49.89
100-5416	GUARD-TURF, 4 TINE 5 FING	\$55.40
100-5417	GUARD-TURF, 4 TINE 7 FING	\$59.58
100-5418	GUARD-TURF, 6 TINE 5 FING	\$40.13
100-5419	GUARD-TURF, 6 TINE 7 FING	\$52.68
100-5420	GUARD-TURF, 8 TINE 9 FING	\$51.67
100-5421	GUARD-TURF, 8 TINE 5 FING	\$52.48
100-5525	HOSE ASM	\$198.47
100-5579	HOSE ASM	\$131.23
100-5582	SHAFT-PIVOT, LIFT ARM	\$69.03
100-5605-01	RH SKID ASM	\$111.17
100-5612-01	LH SKID ASM	\$111.17
100-5620-01	RH SKID ASM	\$74.78
100-5703	SPACER AND BEARING ASM	\$61.51
100-5709	NUT-SPINDLE, SPECIAL	\$22.01
100-5762	SPACER-BEARING	\$11.37
100-5780-03	FRAME-DECK	\$398.94
100-5797-03	BRACKET-HOC, RH	\$19.50
100-5799	SHIM-HOC, .060 INCH	\$4.71
100-5832	TUBE	\$7.65
100-6131	SEAL KIT	\$49.96
100-6178	IDLER ARM ASM	\$51.30
100-6193	CARRIER FRAME ASM	\$166.56
100-6400	SHIELD ASM-FRONT	\$38.03
100-6431	TUBE-RETURN	\$123.43
100-6434	ROD-HOLD DOWN, BATTERY	\$5.85
100-6435	POST-BATTERY	\$8.49
100-6443-01	FRAME ASM	\$249.40
100-6448	SPACER-ROLLER	\$8.31
100-6449	ROLLER-LIFT	\$7.89
100-6756	ELEMENT-FILTER, PRESSURE	\$13.57
100-6991	ELEMENT-FILTER, GREEN	\$46.96
100-6992	ELEMENT-FILTER, RED	\$47.66
100-7100	SUPPORT-ROD	\$96.94
100-7105	RH HOC ADJUSTMENT ASM	\$30.49

Part Number	Description	Sale Price
100-7106	LH HOC ADJUSTMENT ASM	\$30.49
100-7113-01	WEIGHT-END	\$38.77
100-7123	SPACER-BEDBAR	\$3.03
100-7124-01	BEDBAR-MACHINED	\$123.82
100-7126	BOLT-WHEEL	\$2.62
100-7132	WIEHLE ROLLER ASM	\$452.28
100-7136	REAR GRASS SHIELD ASM	\$57.04
100-7140	REEL FRAME ASM	\$441.15
100-7599	BEARING-BALL	\$19.60
100-7617	4 TINE HEAD ASM, HD	\$159.39
100-7618	3 TINE HEAD ASM, HD	\$170.47
100-7621	BEARING-BALL	\$33.18
100-7644	BELT-HA (SET 2=1 PC)	\$39.32
100-7695	FITTING-ELBOW 90	\$47.57
100-8011	CARRIER FRAME ASM	\$263.71
100-8070	LAMP-WARNING	\$21.53
100-8071	LAMP-WARNING	\$21.53
100-8072	SWITCH	\$56.42
100-8125-01	LH SKID ASM	\$81.78
100-8138	SPRING-COMPRESSION	\$30.26
100-8148-03	MOUNT-RH	\$164.38
100-8149-03	MOUNT-LH	\$164.38
100-8327	BEARING-BALL	\$43.71
100-8329	BEARING-BALL	\$36.06
100-8372	BELT-STEERING	\$27.50
100-8642	SCREEN-SUCTION	\$47.78
100-9237	STARTER ASM	\$469.98
100-9333	GASKET-MUFFLER	\$4.89
100-9394	ALTERNATOR ASM	\$589.98
100-9818-01	PLATE-MOUNT, SPRING	\$12.48
100-9819	LATCH ASM	\$80.40
100-9821	PLATE-SWITCH, REED	\$12.68
100-9900	FRONT GRASS SHIELD ASM	\$112.87
100-9905-0P	WIEHLE ROLLER MACH ASM	\$267.06
100-9906	WIEHLE ROLLER ASM	\$316.60
100-9943-0P	TUBE ASM-ROLLER 3" DIA	\$92.28
100-9981	GEAR-SPIRAL, RH	\$375.74
100-9993	FRONT COVER ASM	\$21.49
103-0384	SPACER	\$2.12
103-1802	FITTING-ELBOW, 90 DEG	\$12.49
103-2897	LATCH-CATCH	\$5.47
103-2898	LATCH-RUBBER	\$15.49
103-6771	TIRE (24X12-12) 4-PLY LUG	\$208.99
103-9511	NUT-LOCK, NI	\$1.01
104-0015	BUSHING-FLANGE	\$4.80
104-0028	GUIDE-HOSE	\$32.77
104-0046	PIN-SLIDE, CYLINDER	\$6.78
104-0057	HYD HOSE ASM	\$133.75
104-0058	HYD HOSE ASM	\$83.80
104-0063	HYD HOSE ASM	\$73.05
104-0064	HYD HOSE ASM	\$79.59
104-0067	HYD HOSE ASM	\$122.29
104-0068	HYD HOSE ASM	\$153.02
104-0069	HYD HOSE ASM	\$115.02
104-0080	FILTER HEAD ASM	\$149.02
104-0108	U-BOLT	\$5.08
104-0400	TUBE ASM	\$95.28
104-0401	TUBE ASM	\$137.87
104-0402	TUBE-HYD	\$81.91
104-0403	TUBE ASM	\$78.41

Part Number	Description	Sale Price
104-0404	TUBE ASM	\$77.46
104-0405	HOSE-HYD	\$81.27
104-0406	HOSE-HYD	\$60.60
104-0407	HOSE-HYD	\$45.33
104-0417	SLIDE-PLASTIC	\$3.32
104-0422	NEUTRAL ARM ASM	\$66.18
104-0454	HOSE-RADIATOR, UPPER	\$56.96
104-0462	HUB-WHEEL, SPACER	\$170.68
104-0485-03	SHIELD-WHEEL	\$22.52
104-0487	HOSE-HYD	\$86.51
104-0532	WASHER-PULLEY	\$3.20
104-0538	BEARING-SELF ALIGNING	\$30.75
104-0540	ROLLER-WIEHLE	\$185.38
104-0705-03	YOKE-JOINT	\$317.54
104-0720	SPACER	\$21.06
104-0762-01	FORK-CASTOR	\$117.76
104-0764	PISTON MOTOR ASM	\$1,584.53
104-0972	CLAMP-TINE	\$20.25
104-0984	TINE-HOLLOW, 5/8 X 5.75	\$2.96
104-1051-03	PLATE-SPINDLE	\$27.94
104-1052-03	BRACKET-HOC, FRONT	\$14.93
104-1080	HOSE-HYD	\$68.60
104-1093	ROLLER	\$105.51
104-1156	SPACER	\$3.35
104-1301	BLADE-ATOMIC	\$13.99
104-1303	BLADE-ATOMIC	\$15.16
104-1304	BLADE ASSY-ATOMIC 24.75	\$18.11
104-1380	BEDKNIFE-HIGHCUT (FAIRWAY	\$48.91
104-1381	BEDKNIFE-HIGHCUT (FAIRWAY	\$43.82
104-1385	WIEHLE ROLLER ASM	\$372.25
104-1386-0P	ROLLER-WIEHLE 27" (MACH)	\$261.68
104-1388	WIEHLE ROLLER ASM	\$420.99
104-1389-0P	ROLLER-WIEHLE 32" (MACH)	\$292.64
104-1392	SHAFT-PIVOT	\$56.09
104-1806	SHAFT-ROLLER	\$61.77
104-1810	BEDKNIFE-HIGHCUT (FAIRWAY	\$41.75
104-1830	BOLT-J	\$4.17
104-1834	IDLER BEARING ASM	\$43.82
104-1835	SCREW	\$3.10
104-1844	COMB	\$28.05
104-2024	NUT-HEX, NI	\$9.69
104-2057	SENSOR	\$71.03
104-2065	SCREW-HWH	\$0.36
104-2067	SPACER-END, MOTOR	\$2.06
104-2071	BASKET ASM	\$116.41
104-2078	SHAFT-ROLLER	\$31.34
104-2091	ROLLER-ANTI SCALP	\$21.53
104-2200-01	CHAMBER-CENTER	\$196.11
104-2201-01	CHAMBER-RH	\$207.05
104-2202-01	CHAMBER-LH	\$207.05
104-2203-01	OUTER CHAMBER ASM	\$204.08
104-2204-01	CHAMBER-INNER	\$217.27
104-2205-01	CHAMBER-INNER	\$177.54
104-2235	HOSE ASM	\$149.27
104-2250-01	SKID-SIDE	\$68.21
104-2260	HOSE ASM	\$140.61
104-2261	HOSE ASM	\$129.02
104-2263	HOSE ASM	\$150.78
104-2264	HOSE ASM	\$130.42
104-2265	HOSE-HYD	\$78.75

PARTS LIST

PARTS LIST

Part Number	Description	Sale Price
104-2281	SHAFT-PIVOT	\$76.13
104-2541	IGNITION SWITCH ASM	\$16.05
104-2547	SPACER INNER	\$7.47
104-2602-03	BAR-OFF, CUT	\$11.62
104-2607	STRIP-BASKET	\$8.31
104-2609	SLEEVE-PULLEY	\$14.40
104-2610	NUT-HF	\$1.83
104-2611	NUT-HF	\$0.49
104-2612	NUT-HF	\$0.38
104-2628	SCREW-HWH THD ROLL	\$0.77
104-2632	GRASS SHIELD ASM	\$38.44
104-2640	FULL FRONT ROLLER ASM (18	\$121.69
104-2642	FULL FRONT ROLLER ASM (21	\$176.83
104-2646	BEDKNIFE-HIGHCUT	\$49.34
104-3355	ROD-SPRING	\$14.11
104-3357	CARRIER FRAME ASM	\$184.59
104-3365	ROD-SUPPORT	\$20.05
104-3366	SPACER	\$5.72
104-3373-01	RH HOC BRACKET ASM	\$40.17
104-3375-01	LH HOC BRACKET ASM	\$40.17
104-3388	SEAL-GREASE	\$2.93
104-3394	SPRING-COMPRESSION	\$6.08
104-3396	SCREW-HH	\$1.37
104-3398	HOUSING-BEARING, MACH	\$25.98
104-3399	BEARING HOUSING ASM	\$39.87
104-3494	BELT-V	\$21.49
104-3502	HOSE ASM	\$128.78
104-3541	HUB-SPIDER	\$65.10
104-3542	SPIDER	\$36.05
104-3545	PULLEY-DRIVING	\$118.29
104-3546	PULLEY-DRIVEN, LOW	\$108.04
104-3547	PULLEY-DRIVEN, DOUBLE	\$144.19
104-3548	PULLEY-DRIVEN, HIGH	\$103.96
104-3554	SHAFT-SPINDLE	\$39.73
104-3563	INDICATOR	\$24.01
104-3661	BRACKET-SPRING	\$10.16
104-3797	FITTING-STRAIGHT	\$19.13
104-3928	LH BRAKE LEVER ASM	\$70.78
104-4046	BEARING-CUP	\$24.42
104-4212	RING-RETAINING, SPIRAL	\$2.01
104-4229	REAR CARRIER FRAME ASM	\$243.51
104-4246	FAN-ENGINE	\$67.90
104-4299	CROSS AND BEARING KIT	\$191.30
104-4569-03	BLADE-24.75"	\$19.03
104-4620	SEAT	\$203.08
104-4623-01	TUBE & END CAP ASM	\$179.49
104-4624-03	BRACKET-HOC, LH	\$12.44
104-4641	SHIM-HOC, .030 INCH	\$2.74
104-4727	RING-RETAINING	\$0.81
104-4754	SPRING-DETENT	\$15.36
104-4809	DRUM-BRAKE	\$32.86
104-4817	LEVER-BRAKE	\$84.39
104-4819-03	BRACKET-PIVOT, LH	\$22.45
104-4820-03	BRACKET-STOP, CARRIER	\$94.78
104-4821	SPRING-TORSION	\$3.47
104-4825-03	BRACKET-PIVOT, RH	\$22.45
104-4828-03	BRACKET-ACTUATOR	\$12.79
104-4834	MUFFLER	\$354.74
104-4836	FITTING-TEE	\$86.53
104-4840	TANK-HYD	\$803.25

Part Number	Description	Sale Price
104-4852-03	PEDAL-TRACTION	\$67.66
104-4853-03	SCREEN-HOOD	\$518.43
104-4855-03	FRAME-RADIATOR	\$197.92
104-4890	PISTON PUMP ASM	\$1,682.21
104-5169	FILTER-OIL	\$8.87
104-5183	BLADE-LIFT, HIGH	\$24.98
104-5190-03	PANEL-CONTROL	\$161.55
104-5207	HOSE-TURBO	\$33.11
104-5214	SPACER-TUBULAR	\$10.52
104-5215	PUMP-FUEL, ELECTRIC	\$141.33
104-5428	BRACKET-OIL COOLER, TOP	\$30.35
104-5429	CLAMP-FORM, WIRE	\$11.29
104-5460-03	PLATE-MOUNT, OIL COOLER	\$11.43
104-5464	HOSE-HYD	\$264.56
104-5483	HOSE-HYD	\$206.94
104-5500	HOSE-HYD	\$68.12
104-5501	HOSE-HYD	\$159.25
104-5502	HOSE-HYD	\$43.58
104-5504	HOSE-HYD	\$124.09
104-5505	HOSE-HYD	\$101.39
104-5511	HOSE -HYD	\$44.14
104-5512	HOSE-HYD	\$39.74
104-6126	WASHER-FLAT	\$2.08
104-6478	SPRING-EXTENSION	\$8.51
104-7064	TIRE (22X9.50-10) 4-PLY T	\$109.65
104-7179	PIVOT-PEDAL	\$19.13
104-7201	NUT-HF	\$0.58
104-7520	SPRING-DAMPER	\$32.55
104-7521	BUSHING	\$2.81
104-7529-01	BRACKET-CASTOR	\$131.98
104-7546	TANK STRAINER ASM	\$98.61
104-7547	CABLE-THROTTLE	\$93.34
104-7705	BRAKE ASM	\$91.34
104-7706	E-RING, BOWED	\$0.54
104-7707	SHAFT-CAM, BRAKE	\$38.26
104-7708	BRAKE CAM & E-RING ASM	\$27.74
104-7719	BALL JOINT ASM	\$65.61
104-7738	BUSHING-FLANGE	\$1.34
104-7851	FITTING-HYD, 45 DEG	\$37.35
104-8162	BATTERY	\$86.99
104-8215	COLLAR KIT	\$11.29
104-8216	SCREW-SQH	\$3.90
104-8219	GRASS BASKET ASM	\$173.24
104-8300	NUT-HF, NI	\$0.46
104-8301	NUT-HF, NI	\$0.78
104-8322	WASHER-HARDENED	\$7.16
104-8331	END-ROD, SPHERICAL	\$30.58
104-8341	BUSHING-STRAIGHT	\$9.31
104-8772	TORO PREMIUM GEAR AND BEA	\$22.98
104-9219	DISC-CLUTCH	\$434.91
10-4930-01	BAR-BED	\$110.88
104-9312	PIN-GROOVED	\$2.90
104-9314	RM5500 REEL DRIVE HOSE KI	\$1,349.20
104-9317	RM52/5400 REEL DRIVE HOSE	\$1,500.82
104-9321	HYD HOSE ASM	\$163.65
104-9322	HYD HOSE ASM	\$162.80
104-9323	HOSE-HYD	\$66.88
104-9447	ADAPTER-MOTOR	\$29.01
104-9480	SHAFT-ROLLER	\$58.06
104-9483	DEFLECTOR ASM	\$99.75

Part Number	Description	Sale Price
104-9492-03	SCRAPER ASM	\$39.51
104-9838	GRIP-FOAM	\$3.49
104-9875	TINE-SIDE EJECT, HD 3/4 X	\$4.84
104-9876	TINE-SIDE EJECT, HD 5/8 X	\$4.61
104-9877	TINE-SIDE EJECT, 7/8 X 5.	\$4.77
104-9914	NUT-HEX	\$0.69
105-0000	SPACER-FAN	\$11.45
105-0023	SWITCH-PROXIMITY	\$88.22
10-5010	SCREW-ADJUSTMENT, ROLLER	\$22.17
105-0131	STRAINER-TANK, OIL	\$96.15
105-0139	RM6000 REEL DRIVE HOSE KI	\$1,548.12
105-0140	RM6700 REEL DRIVE HOSE KI	\$826.71
105-0150	SEAL-GREASE	\$3.20
105-0156	SHAFT-ROLLER	\$34.29
105-0158	SHAFT-ROLLER	\$43.24
105-0171-03	WEIGHT-END	\$64.73
105-0172	SPACER	\$10.73
105-0173	WASHER	\$12.15
105-0177	SPACER	\$5.08
105-0191	FULL ROLLER ASM	\$303.87
105-0194	SHAFT-ROLLER	\$91.31
105-0195-01	SHIELD-GRASS, REAR ASM	\$67.35
105-0418-01	ARM-STEERING	\$287.82
105-0452	PIVOT HINGE ASM	\$258.28
105-0463-01	PLATE-FOOTREST	\$95.68
105-0464-03	PLATE-SEAT	\$160.80
105-0494	HYDROSTAT ASM	\$1,631.88
105-0499-03	PANEL-CONTROL	\$44.66
10-5060	BRACKET-HOC	\$19.82
105-0750	FAN	\$119.48
105-0775	STEERING CYLINDER ASM	\$540.12
10-5080-01	CAP-END	\$41.55
105-0836	CABLE-BATTERY, BLACK	\$18.37
105-0887	BELT-DRIVE, PTO	\$111.99
105-0965	BEARING-BALL	\$15.46
105-0989	BELT-3V	\$50.75
105-0991	BELT-BANDED, 4 GROOVE	\$61.83
105-1032-03	CLAMP-HOLDER, 4 TINE	\$24.23
105-1036-03	3 TINE HOLDER ASM	\$59.00
105-1038-03	CLAMP-HOLDER, 3 TINE	\$24.23
105-1045-03	4 TINE HOLDER ASM	\$59.00
105-1098-03	CLAMP-TINE, NEEDLE	\$6.98
105-1099	NEEDLE TINE HOLDER ASM	\$34.59
105-1180	TINE-HOLLOW, 1/2 X 6.50	\$2.79
105-1184	TINEHOLDER	\$59.99
105-1212	HOSE-HYD	\$143.14
105-1213	HOSE-HYD	\$207.35
105-1214	HOSE-HYD	\$190.70
105-1215	HOSE-HYD	\$123.30
105-1216	HOSE-HYD	\$117.77
105-1218	PISTON MOTOR ASM	\$1,584.44
105-1219	HYD MOTOR ASM	\$1,671.35
105-1221	HOSE ASM	\$282.01
105-1222	HOSE ASM	\$173.55
105-1230	PLATE-SCRAPER	\$4.41
105-1686	SPINDLE SHAFT ASM	\$117.87
105-1904	GRIP-HANDLE	\$4.69
105-2409	SCREW-HSH	\$1.05
105-2439	BASKET-GRASS	\$181.88
105-2539	CAP	\$35.83

Part Number	Description	Sale Price
105-2806	END-ROD	\$29.69
105-2808	END-ROD	\$41.59
105-2809	TUBE-LINK	\$36.14
105-3048	WASHER-FLAT	\$0.83
105-3249	DAMPER	\$101.98
105-3693	BELT-FAN	\$26.85
105-3800	CONTROL VALVE ASM	\$2,674.76
105-3820	HYD CYLINDER ASM	\$274.58
105-3822	HYD CYLINDER ASM	\$235.27
105-3823	HYD CYLINDER ASM	\$221.43
105-3824	SEAL-GREASE	\$5.52
105-3825	HOUSING-BEARING, RH	\$25.41
105-3826	HOUSING-BEARING, LH	\$25.41
105-3827	BEARING-BALL, SELF ALIGNI	\$20.53
105-3833	BOLT-ECCENTRIC	\$13.42
105-3834	BOLT-SHOULDER	\$9.60
105-3835	SEAL KIT	\$38.95
105-3836	SEAL KIT	\$40.90
105-3838	SPACER	\$4.79
105-3912	LATCH-DRAW	\$20.61
105-3985	HOSE-HYD	\$80.86
105-4005-01	PLATE-SIDE, RH ASM	\$76.81
105-4006-01	PLATE-SIDE, LH ASM	\$76.81
105-4007-01	FRAME ASM-DETHATCHER	\$188.32
105-4011-03	WEIGHT-END	\$54.21
105-4021	ROD-SUPPORT	\$34.45
105-4232	SWITCH	\$47.30
105-4302	NEUTRAL ARM ASM	\$62.24
105-4320	SWITCH-ROCKER, ON-OFF-(ON	\$51.98
105-4327	TUBE-HYD, CASEDRAIN	\$52.69
105-4332	HOSE-HYD	\$99.58
105-4333	HOSE-HYD	\$109.18
105-4337	HOSE-HYD	\$60.57
105-4338	HYD HOSE ASM	\$85.44
105-4339	HOSE-HYD	\$102.38
105-4340	HYD HOSE ASM	\$84.09
105-4342	HOSE ASM	\$99.21
105-4347	HOSE-HYD	\$52.38
105-4548	SHAFT-SPRING	\$125.32
105-4549	SPACER-ROLLER	\$5.03
105-4552	BEARING-PLASTIC	\$16.41
105-4579	GAUGE-OIL	\$16.56
105-5342	BOLT-PLOW - SPECIAL	\$1.69
105-5379	NUT-SPRING	\$5.05
105-5392	RIVET-DRIVE	\$1.34
105-5394	ROD-TRAILER, LARGE	\$11.10
105-5400	HOSE-HYD	\$72.11
105-5401	HOSE-HYD	\$78.12
105-5402	HOSE-HYD	\$41.95
105-5404	HOSE-HYD	\$89.53
105-5405	HOSE-HYD	\$44.71
105-5409	HOSE ASM	\$63.23
105-5421-01	PEDAL-TRACTION	\$72.82
105-5430	ROD-CONNECTING	\$49.95
105-5444	CABLE-LOCK, NEUTRAL	\$59.76
105-5445	CABLE-TRACTION	\$69.79
105-5460	TUBE-HYD	\$74.60
105-5482	TUBE-HYD	\$53.61
105-5493	TUBE-HYD	\$67.87
105-5700	WASHER-WAVE	\$2.27

PARTS LIST

PARTS LIST

Part Number	Description	Sale Price
105-5706	NUT-LOCK, BEARING	\$13.05
105-5708	PLUG-EXPANSION	\$5.08
105-5709	WEIGHT ASM	\$44.39
105-5719	COVER	\$43.57
105-5720	BELT-V, POLY	\$6.96
105-5722	PULLEY-DRIVER	\$59.25
105-5729	HOUSING-BEARING, RH	\$39.81
105-5730	HOUSING-BEARING, LH	\$39.81
105-5736	SHAFT-BRUSH	\$96.73
105-5740	HOOK-LIFT	\$8.58
105-5761	GROMMET	\$7.34
105-5769	WASHER	\$0.85
105-5770	NUT-SHOULDER	\$8.19
105-5774	BOLT-SHOULDER	\$2.26
105-5775	RING-RETAINING	\$0.79
105-5795	PLATE-SIDE, LH	\$52.73
105-5797	PLATE-SIDE, RH	\$52.73
105-5799	FRAME	\$128.04
105-6755	HOUSING-BEARING, LH	\$115.77
105-6758	SETSCREW-SQH	\$2.12
105-6759	HOUSING-BEARING, RH	\$115.77
105-6761	SEAL-GUARD	\$6.14
105-6785	BEDKNIFE-LOWCUT (FAIRWAY)	\$48.50
105-6792	BRUSH-ROLLER	\$45.80
105-7269	KIT-TALL GRASS, BAHIA 62/	\$94.11
105-7270	STD BLADE/BELT KIT	\$153.46
105-7271	BLADE/BELT KIT	\$157.71
105-7272	STD BLADE/BELT KIT	\$154.66
105-7441	BEARING-SPHERICAL	\$40.09
105-7443	SPACER-PILOT	\$19.52
105-7468	STUD-TAPERED	\$31.67
105-7482	PIN-LATCH	\$31.67
105-7507	HUB-PIVOT, JOYSTICK	\$31.63
105-7576	GEAR PUMP ASM	\$1,282.83
105-7577	HYD LIFT BLOCK MANIFOLD A	\$1,798.04
105-7900	HYD HOSE ASM	\$128.75
105-7901	HYD HOSE ASM	\$122.41
105-7902	HYD HOSE ASM	\$51.28
105-7903	HYD HOSE ASM	\$115.19
105-7927	HOSE-HYD	\$70.70
105-7941	NUT-HEX, SLOTTED	\$10.58
105-8075	INSERT-THREADED, RH	\$15.89
105-8076	INSERT-THREADED, LH	\$15.89
105-8095-01	BEDBAR-FAIRWAY	\$172.94
105-8118	BEARING-CONE	\$61.86
105-8120	BEARING-CONE	\$69.21
105-8250	CONSOLE	\$109.12
105-8252-03	BRACKET-POD	\$66.23
105-8285	HOSE-INLET, PUMP	\$60.58
105-8288	ROD-JOYSTICK	\$12.99
105-8289	SPRING-TORSION	\$9.04
105-8536-01	ARM-STEERING	\$264.22
105-9156	SEAL KIT	\$12.98
105-9159	SEAL KIT	\$12.22
105-9202	NO. 2 LIFT ARM ASM	\$506.86
105-9203	NO. 3 LIFT ARM ASM	\$506.86
105-9238	HOSE-HYD	\$58.61
105-9612	SPRING-BRUSH	\$30.57
105-9613-01	BRACKET-BRUSH, LH	\$38.26
105-9614-01	BRACKET-BRUSH, RH	\$38.26

Part Number	Description	Sale Price
105-9615-01	BRACKET-BRUSH, LH	\$16.44
105-9616-01	BRACKET-BRUSH, RH	\$16.44
105-9632	BOLT-J	\$7.12
105-9635	BRUSH-GROOMER	\$106.23
105-9767	REEL FRAME ASM-SPA	\$181.03
105-9768	REEL FRAME ASM-4BOLT	\$239.78
105-9770	HYD MOTOR ASM	\$206.19
105-9810-03	BLADE-ANGLE SAIL	\$22.29
105-9816	ROLLER-PLASTIC	\$32.86
105-9817	HOSE-HYD	\$91.86
105-9822	SPACER	\$3.67
105-9823	BUSHING-CARRIER	\$3.66
105-9827	SHAFT	\$47.61
105-9912	SPACER-LATCH	\$11.10
105-9926	SPRING-EXTENSION	\$14.11
105-9928-01	SPINDLE ASM	\$111.18
105-9930-01	HITCH	\$16.17
105-9935	PLUG-TUBE, SQUARE	\$0.70
105-9943	WASHER-THRUST	\$3.33
105-9945	SEAL-GREASE, BLUE	\$10.99
106-0003	V-BELT	\$59.50
106-0005	CENTER SPINDLE ASM	\$608.51
106-0006	OUTER SPINDLE ASM	\$512.59
106-0022	PULLEY-OUTBOARD	\$198.69
106-0023	PULLEY-CENTER	\$299.66
106-0631	PACK-SERVICE, BLADE (104-	\$83.49
10-6090	PIN-PIVOT	\$21.96
106-1025	PLUG-HYD	\$5.34
106-1026	PLUG-HYD	\$5.58
106-1080-03	REAR REEL ASM	\$469.75
106-1082	BEARING-FLANGE, 2 BOLT	\$62.51
106-1085-03	REEL SPINDLE ASM	\$86.56
106-1128	HOSE-FUEL	\$3.74
106-2271	SHAFT-PIVOT	\$78.96
106-2416	AIR CLEANER ASM	\$78.83
106-2600-01	SHIELD-GRASS	\$14.61
106-2603	SCREW-HSH	\$0.55
106-2607	O-RING	\$1.43
106-2619	STRIP-SEAL	\$3.18
106-2630	IDLER BEARING ASM	\$70.68
106-2633	SCREW-HHF	\$1.29
106-2646	RING-RETAINING, BOWED	\$2.12
106-2648-01	BEDBAR	\$198.16
106-3621	STEERING VALVE ASM	\$486.71
106-3622	STEERING TILT COLUMN ASM	\$382.44
106-3662	HOSE-HYD	\$113.15
106-3669	HYD HOSE ASM	\$62.04
106-3670	HYD HOSE ASM	\$61.08
106-3671	HOSE-HYD	\$44.45
106-3672	HYD HOSE ASM	\$49.07
106-3680	HOSE-HYD	\$41.81
106-3691	HOSE-HYD	\$47.64
106-3692	HOSE-HYD	\$50.36
106-3693	HOSE-HYD	\$62.12
106-3712-03	PEDAL-BRAKE	\$118.52
106-3713	DETENT	\$9.04
106-3719	HUB-PEDAL, TRACTION	\$26.98
106-3731	ROD-PIVOT	\$21.12
106-3840	PEDAL-TRACTION	\$47.14
106-3924	BRACKET-ROLLER, REAR	\$15.28

Part Number	Description	Sale Price
106-3925	SHIM-ROLLER (0.25)	\$4.02
106-3937	CARRIER FRAME ASM	\$275.17
106-4154	FLOORPLATE ASM	\$266.61
106-4167	JOYSTICK BRACKET ASM	\$89.99
106-4192	SPACER	\$4.17
106-4214	SETSCREW-SQH	\$2.42
106-4237	BEARING	\$9.01
106-4269	PULLEY-DRIVE, DOUBLE	\$256.15
106-4317	SUPPORT-SPRING	\$77.04
106-4353-03	BLADE-ATOMIC, 25 INCH, LH	\$27.16
106-4383	BELT-V, BANDED	\$29.21
106-4616	SCREW-SPACER	\$9.97
106-4620	PIVOT MOUNT ASM	\$58.28
106-4668	NUT-LOCK	\$1.32
106-4669	DECAL-WARNING, TRAILER	\$7.48
106-4675	TONGUE ASM	\$110.67
106-4689	GRASS BASKET ASM	\$153.86
106-4904	ELEMENT-AIR CLEANER	\$18.80
106-5187	BATTERY-DRY	\$125.61
106-5190	BATTERY	\$129.83
106-5269	IGNITION SWITCH ASM	\$69.25
106-5270	IGNITION KEY SET	\$13.24
106-5277	AIR CLEANER ASM	\$98.80
106-5336	NUT-JAM	\$2.44
106-5344	BUSHING-FLANGE, KEYED	\$4.72
106-5354	SPRING-LATCH	\$13.33
106-5363	SHAFT-ADJUSTER	\$24.03
106-5366-01	FRAME ASM	\$170.19
106-5384	STRIP-PAD	\$8.55
106-5388	ROD-LOCK	\$38.13
106-5408	GASKET-COVER	\$0.91
106-5409	GASKET-CASE, GEAR	\$4.66
106-5422	BLADE-11 TOOTH (NARROW CA	\$12.17
106-6355	BLADE-11 TOOTH (CARBIDE)	\$11.61
106-6362	SEAL KIT	\$84.16
106-6392	KIT-DETHATCHER BLADE	\$1,191.19
106-6394	MOW PEDAL ASM	\$35.35
106-6395	CUTTING CONTROL SHAFT ASM	\$58.71
106-6396	LIFT-PIVOT V	\$37.93
106-6691	CABLE-BRAKE, PARK	\$100.42
106-6698	CABLE-HI-LOW	\$89.73
106-6716	SEAL KIT	\$99.81
106-6726	STEERING PUMP ASM	\$825.30
106-6754	DECAL-DANGER	\$5.51
106-6774	JOINT-BALL	\$47.08
106-6895-03	BALL JOINT ASM	\$137.64
106-6914	RING-SNAP, INTERNAL	\$1.32
106-6915	PULLEY ASM	\$39.74
106-6917	PULLEY-DRIVEN	\$29.99
106-6926	SEAL-GREASE	\$8.28
106-6927	SLEEVE	\$14.63
106-6929	V-RING	\$3.28
106-6937	DPA REEL SEAL KIT	\$61.98
106-6941	SEAL	\$3.77
106-6942	V-RING	\$5.37
106-7159	O-RING	\$0.65
106-7166-03	BLADE-COMBINATION (19 INC	\$20.11
106-7536	BEDBAR ADJUSTER ASM	\$9.45
106-7865	MOUNT-ENGINE	\$16.69
106-7962	HOSE-HYD	\$33.01

Part Number	Description	Sale Price
106-7974	HOSE-HYD	\$45.78
10-6821	BRAKE DRUM ASM	\$86.73
10-6830	STUD-TYPE, DRIVE	\$3.57
106-8417	SPACER-SHAFT, DRUM	\$4.95
106-8428	PLATE-SIDE, RH	\$52.73
106-8429	PLATE-SIDE, LH	\$52.73
106-8437	STRAP-LATCH	\$31.82
106-8448	BEARING-RACE, EXTENDED	\$41.85
106-8450	TAB-BRUSH	\$10.73
106-8454	ROD ASM	\$30.28
106-8459	BUNGEE	\$3.35
106-8463	SHIM-GROOMER	\$6.14
106-8468	RH IDLER ASM	\$24.85
106-8470	LH IDLER ASM	\$24.85
106-8471	HUB-PIVOT	\$34.79
106-8482	ADJUSTER	\$18.79
106-8489	BUSHING-SLEEVE	\$2.74
10-6850	DRUM-BRAKE	\$30.64
106-8511	ARM-GROOMER HOC, RH	\$69.24
106-8513	ARM-GROOMER HOC, LH	\$69.24
106-8521	DECAL-WARNING	\$4.45
106-8527	BUSHING	\$4.92
106-8528	SCREW-LOCK	\$7.27
106-8529	PLUG-CAP	\$16.23
106-8530	SEAL-GREASE	\$7.51
106-8535	RH LIFT ARM ASM	\$55.69
106-8536	LH LIFT ARM ASM	\$55.69
106-8540	PULLEY ASM	\$86.25
106-8541	RH DRIVE COVER ASM	\$52.82
106-8542	LH DRIVE COVER ASM	\$49.06
106-8625	BLADE-CARBIDE	\$15.71
10-6870-03	HUB-WHEEL	\$66.85
106-8871	BEARING-BALL	\$10.77
106-8872	RING-RETAINING	\$8.12
106-9004	BUMPER	\$3.74
106-9095-01	SCRAPER ASM	\$41.09
106-9288	SENSOR-PROXIMITY, FERROUS	\$82.79
106-9518	SCREW-PRH	\$1.03
106-9605	BEDBAR PIVOT KIT	\$66.66
106-9606	ROLLER KIT	\$73.80
106-9607	FULL ROLLER KIT	\$26.52
106-9618	BUSHING-RUBBER	\$7.48
106-9623	BOLT-BEDBAR	\$13.71
106-9627	ROLLER BRUSH ASM	\$192.73
106-9674	HOSE-HYD	\$35.18
106-9691	TIRE-4-PLY	\$65.58
106-9758	SCREW-CARR	\$0.40
106-9888	WASHER-FLAT	\$0.65
107-0204	HOSE ASM	\$259.27
107-0214-03	BLADE-ATOMIC, 21.75 IN	\$23.90
107-0215-03	BLADE-ATOMIC, 19.00 IN	\$20.11
107-0216-03	BLADE-ATOMIC, 19.00	\$23.92
107-0217-03	BLADE-ATOMIC, 20.00 IN	\$23.92
107-0222	HOSE ASM	\$51.46
107-0235-03	BLADE-ATOMIC	\$21.73
107-0245	SEAL KIT	\$53.13
107-0249	SEAL KIT	\$64.21
107-0392	PROTECTION-TERMINAL, AERO	\$22.59
10-7070	KEY-SQUARE	\$0.75
107-1054	BEARING	\$70.98

PARTS LIST

PARTS LIST

Part Number	Description	Sale Price
107-1078	BEARING	\$68.43
107-1135	HOSE ASM	\$53.43
10-7130	WIRE ASM	\$9.66
107-1588	ROLLER REBUILD KIT	\$44.57
107-1589	ROLLER REBUILD KIT	\$36.39
107-1590	4 BOLT CU REBUILD KIT	\$31.55
107-1591	ROLLER REBUILD KIT	\$22.99
107-1592	ROLLER REBUILD KIT	\$36.46
107-1593	ROLLER REBUILD KIT	\$21.79
107-1594	ROLLER SEAL REBUILD KIT	\$52.88
107-1595	ROLLER REBUILD KIT	\$34.24
107-1598	4 BOLT CU REBUILD KIT	\$28.57
107-1977	SEAL KIT	\$71.72
107-1997	FITTING-GREASE	\$3.72
107-2043-03	BRACKET-OIL COOLER, TOP	\$30.06
107-2062	PIN	\$67.35
107-2077	PIN-CYLINDER	\$26.98
107-2084	TRACTION CABLE ASM	\$79.83
107-2152	HOSE-SUCTION	\$11.55
10-7240	SLEEVE-PULLEY, STEERING	\$2.46
107-2550	CABLE-CONTROL, TRACTION	\$108.12
107-2552-01	BRACKET-BULKHEAD	\$13.15
107-2553	ROD END ASM	\$77.35
107-2554	DECAL-PANEL, CONTROL	\$23.01
107-2561	NUT-HEX	\$10.73
107-2563	SEAL KIT	\$46.46
107-2564	SEAL KIT	\$68.94
107-2565	4 SECTION GEAR PUMP ASM	\$1,615.49
107-2567	5 SECTION GEAR PUMP ASM	\$1,724.45
107-2577	GEAR PUMP KIT - 5 SECTION	\$1,764.17
107-2580	TUBE-HYD	\$67.63
107-2582	TUBE-HYD	\$64.02
107-2598	LH LIFT ARM ASM	\$74.76
107-2599	RH LIFT ARM ASM	\$74.76
107-2951	FRAME	\$132.57
107-2954	NUT-ADJUSTER, BEARING	\$10.98
107-2970	ROD	\$22.59
107-2979	BOLT-SHOULDER	\$2.97
107-2993-03	WIEHLE SCRAPER ASM	\$31.72
107-2996	FRONT GRASS SHIELD ASM	\$33.64
107-2999	SCRAPER ROD ASM	\$28.91
107-3205	SEAL-OIL	\$3.35
107-3206	SHAFT-DRUM, RH	\$47.06
107-3207	SHAFT-DRUM, LH	\$47.06
107-3216	SHAFT-WHEEL, TRANSPORT (R	\$42.54
107-3224	SHAFT-WHEEL, TRANSPORT (L	\$42.54
107-3227	NUT-BEARING, LOCK	\$10.82
107-3228	SPACER-SEAL	\$8.19
107-3233	SEAL-OIL	\$5.69
107-3237	SPACER	\$4.17
107-3238	V-RING	\$5.13
107-3244	O-RING	\$0.94
107-3258	FRAME	\$186.85
107-3273-01	BEDBAR	\$175.73
107-3275	INSERT-THREADED, RH	\$18.12
107-3276	INSERT-THREADED, LH	\$18.12
107-3279	BRACKET-SCRAPER, LH	\$15.21
107-3280	REAR ROLLER SCRAPER KIT-R	\$60.79
107-3281	BRACKET-SCRAPER, RH	\$15.21
107-3296	SHAFT-ROLLER, REAR	\$50.69

Part Number	Description	Sale Price
107-3299-03	ROLLER TUBE ASM	\$119.57
107-3376	SPRING-COMPRESSION	\$2.97
107-3399	ADAPTER-WEIGHT, WHEEL	\$20.27
107-3505	SPACER-TOOL, ROLLER	\$7.89
107-3509	STEEL ROLLER ASM	\$153.45
107-3526	STEERING BOX ASM	\$629.58
107-3532	GROMMET	\$4.22
107-3533	SHAFT-STEERING	\$56.96
107-3540-03	TUBE	\$89.52
107-3543-01	FORK ASM	\$402.23
107-4001	SHIM-ROLLER (0.01 INCH)	\$20.80
107-4026	SCREW-HH	\$6.02
107-4027	CAP	\$7.63
107-4028	SEAL-GREASE	\$14.13
107-4304	HYD CYLINDER ASM	\$421.46
107-4348-03	MOUNT-DECK, RH	\$164.38
107-4349-03	MOUNT-DECK, LH	\$164.38
107-4430	SPACER-PLASTIC	\$3.19
107-4501-01	PLATFORM ASM	\$461.33
107-4513	TANK-OIL	\$958.45
107-4517-03	HOUSING-MOTOR	\$132.01
107-4543	CLAMP	\$5.85
107-4544	HYD MOTOR ASM	\$944.20
107-4545	COVER-TANK	\$118.24
107-4546-03	AXLE ASM	\$525.38
107-4547	GEAR PUMP ASM	\$1,282.83
107-4738	BELT-HH	\$120.06
107-4788	BELT-HEX	\$130.15
10-7640	REAR UNIT RETURN HOSE	\$29.74
10-7670	LH FRT RETURN HOSE	\$29.74
107-7400	PIN-LYNCH	\$6.57
107-7409	PIN-PIVOT, BEDBAR	\$14.63
107-7433	CARRIER FRAME ASM	\$255.38
107-7447	SCREW-SET, SQH	\$0.81
107-7589	CONE-BEARING (W/ SEAL)	\$28.91
107-7590	CUP-BEARING	\$10.46
107-7773	SCREW-HSH	\$6.84
107-7777-01	REAR SHIELD ASM	\$53.57
107-7779-01	SHIELD-GRASS, REAR	\$56.68
107-7795	SEAL-GREASE	\$4.78
107-7796	SHAFT-DRIVE	\$38.83
107-7816	BRACKET-SKID	\$4.57
107-7817	FILTER-OIL, ENGINE	\$9.71
107-7819	SEAL KIT	\$35.70
107-7828	REAR CASTING ASM	\$636.80
107-7834	PULLEY-IDLER	\$58.02
107-8105	BEARING-BALL, EXTENDED RA	\$16.53
107-8107	WASHER-WAVE	\$4.88
107-8133	WASHER-FLAT	\$7.11
107-8181	BEDKNIFE-FAIRWAY	\$48.23
107-8183-01	LH RAMP ASM	\$211.70
107-8184-01	RH RAMP ASM	\$211.70
107-8186-01	PLATE-TONGUE	\$21.53
107-8188	KIT-HITCH, ADJUSTABLE	\$128.04
107-8190-01	CLEVIS-TRAILER	\$67.47
10-7820	PIVOT HINGE ASM	\$258.28
107-8844	O-RING	\$0.58
107-9091	PIPE-WATER	\$16.11
107938	SPRING-EXTENSION	\$6.14
107-9519	HYD HOSE ASM	\$36.11

Part Number	Description	Sale Price
107-9531	FILTER-OIL, HYD	\$7.19
108-0015	WASHER-FLAT	\$1.12
108-0573-01	CASTOR FORK ASM	\$486.21
108-0617	BELT-DRIVE	\$18.06
108-0638	BOTTLE-OVERFLOW	\$22.60
108-0800	MVP KIT-BLADE PACK COMBO	\$95.52
108-0989	SCREW-SET	\$0.65
10-8100-01	STRAP-SHAFT, BRAKE	\$18.85
10-8110	WASHER-THRUST	\$0.90
108-1176	SWITCH ASM	\$77.23
108-1177	PREMIUM ALL SEASON HYD. F	\$669.98
108-1178	PREMIUM ALL SEASON HYD. F	\$72.98
108-1183	PREM. TRANS / HYD TRACTOR	\$719.98
108-1184	PREM. TRANS / HYD TRACTOR	\$84.98
108-1185	PREMIUM ATF (55 GAL)	\$468.98
108-1187	PREMIUM ALL SEASON GEAR L	\$89.98
108-1190	PREMIUM ALL PURPOSE GREA	\$5.89
108-1196	PREMIUM ENGINE OIL SAE 30	\$419.98
108-1197	PREMIUM ENGINE OIL SAE 30	\$61.98
108-1260	BATTERY-DRY	\$110.83
108-1370	GEARBOX REPLACEMENT KIT	\$569.86
10-8140	SPRING-LATCH, BRAKE	\$8.05
108-1450	BLADE SERVICE PACK, 21.75	\$158.94
108-1451	ATOMIC BLADE SERVICE PACK	\$133.73
108-1452	BLADE SERVICE PACK, 19 IN	\$159.07
108-1453	BLADE SERVICE PACK, 20 IN	\$249.96
108-1454	BLADE SERVICE PACK, 25 IN	\$154.81
108-1462	BLADE SERVICE PACK, 27 IN	\$123.86
108-1463	BLADE SERVICE PACK, 27 IN	\$103.22
108-1464	BLADE SERVICE PACK, 27 IN	\$144.50
108-1471	RH REAR ARM ASM	\$267.22
108-1473	LH REAR ARM ASM	\$341.92
108-1475-03	BELL CRANK-RH	\$122.35
108-1476-03	BELL CRANK-LH	\$121.97
108-1477	BLADE SERVICE PACK, 18 IN	\$79.74
108-1478	BLADE SERVICE PACK, 24.75	\$103.23
108-1483	WASHER	\$2.45
108-1590	PREMIUM ALL SEASON GEAR L	\$3.89
108-1591	PREM HVY DUTY ALL SEASON	\$9.98
108-1600	RIM	\$106.15
108-1602	WHEEL AND TIRE ASM	\$182.93
108-1606-03	BRACKET-HINGE	\$23.30
108-1607-03	PLATE-HINGE	\$9.47
108-1625	HYD MOW BLOCK MANIFOLD AS	\$2,110.16
108-1640	GAUGE-FUEL	\$54.21
108-1641	DRIVESHAFT ASM	\$402.90
108-1642	FITTING-SUCTION	\$32.32
108-1643	FITTING-RETURN	\$22.80
108-1665-03	BRACKET-RESERVIOR	\$6.78
108-1666-03	BRACKET-RESERVOIR	\$9.97
108-1671-01	BRACKET-STEP	\$18.63
108-1672	MANIFOLD-TUBE	\$130.78
108-1679	HOSE-HYD	\$69.50
108-1683	HOSE-FORMED	\$28.16
108-1685	HOSE-FORMED	\$43.14
108-1686	HOSE-HYD	\$64.76
108-1689	HOSE-HYD	\$148.24
108-1691	TUBE ASM	\$90.47
108-1693	HOSE	\$32.06
108-1695	AIR RIDE SUSPENSION ASM	\$833.36

Part Number	Description	Sale Price
108-1696	HOSE-FORMED	\$21.19
108-1697	HOSE-FORMED	\$20.61
108-1698	TUBE ASM	\$41.86
108-1699	TUBE ASM	\$165.21
108-1700	TUBE ASM	\$99.67
108-1701	TUBE ASM	\$81.81
108-1702	TUBE ASM	\$81.04
108-1703	TUBE ASM	\$72.72
108-1704	TUBE ASM	\$95.82
108-1708	TUBE ASM	\$68.96
108-1710	TUBE ASM	\$60.21
108-1711	TUBE-HYD	\$72.72
108-1712	TUBE ASM	\$79.83
108-1713	TUBE ASM	\$90.87
108-1714	TUBE ASM	\$46.46
108-1720	TUBE ASM	\$113.18
108-1721	TUBE ASM	\$104.75
108-1745	HOSE-FORMED	\$45.18
108-1757	COVER-SEATBASE	\$160.83
108-1782	HEADER	\$49.69
108-1783	HEADER ASM	\$47.72
108-1785-03	BRACKET-SUPPORT, MUFFLER	\$51.18
108-1791	SHROUD-FAN	\$207.96
108-1799-03	HOOP-GUARD	\$8.89
108-1801-01	BRACKET-SUPPORT, PUMP	\$18.07
108-1802	CABLE-BATTERY, POSITIVE	\$64.61
108-1806-01	PLATE-FLOOR	\$78.15
108-1814-03	BRACKET-BULKHEAD	\$26.89
108-1825	HYD MANIFOLD ASM	\$401.45
108-1842	FUEL TANK ASM	\$271.21
108-1844	TREAD-PANEL, SERVICE	\$24.48
108-1924	SPACER-IDLER	\$21.92
108-1954	BEARING SPACER SET	\$104.68
108-1956	SHAFT-SPINDLE	\$120.63
108-2124-03	CLAMP-TINE	\$35.08
108-2132	CORING HEAD BEARING KIT	\$355.85
10-8220	TOOL BOX PAD	\$10.87
108-2282	PIN-CLEVIS	\$20.10
108-2603	ELEMENT-FILTER, AIR	\$1.19
108-2604	AIR FILTER ELEMENT ASM	\$6.65
108-2829	ADAPTOR-CARBURETOR	\$24.14
108-2835-01	SCARIFIER MOUNT ASM	\$139.98
108-2872	COLLAR-FAN	\$11.46
108-2924	VALVE-STEERING	\$529.26
108-2928-01	BOX ASM	\$519.40
108-2936	CONSOLE	\$150.67
108-2938	TANK-FUEL	\$232.88
108-2947	HYD MOTOR ASM (CCW)	\$1,171.44
108-2948	HYD MOTOR ASM (CW)	\$1,156.42
108-2949	HYD MOTOR ASM (CW)	\$1,156.42
108-3150	SLEEVE ASM	\$24.92
108-3151	NUT-LOCK, BEARING	\$12.30
108-3156	BRACKET-ROD	\$10.16
108-3162	SPACER	\$14.67
108-3168	SPACER-HITCH	\$6.07
108-3198-03	HANGER ASM	\$274.11
108-3263	REPAIR KIT - SEAL	\$45.21
108-3284	HOSE-FUEL	\$6.64
108-3808	FILTER-AIR	\$17.75
108-3809	FILTER-AIR	\$26.11

PARTS LIST

PARTS LIST

Part Number	Description	Sale Price
108-3810	FILTER-AIR	\$17.75
108-3811	FILTER-AIR	\$15.98
108-3812	FILTER-AIR	\$17.75
108-3813	ELEMENT-SAFETY, AIR CLEAN	\$18.56
108-3814	FILTER-AIR	\$17.75
108-3815	FILTER-AIR	\$21.76
108-3816	FILTER-AIR	\$16.71
108-3817	FILTER-OIL	\$5.44
108-3818	FILTER-FUEL	\$7.30
108-3828	FILTER-FUEL	\$4.16
108-3831	FILTER-FUEL	\$7.29
108-3833	FILTER-AIR	\$19.33
108-3835	OIL-FILTER	\$7.98
108-3837	FILTER-OIL	\$6.16
108-3841	FILTER-OIL	\$7.83
108-3842	FILTER-OIL	\$6.58
108-3847	FILTER-OIL	\$5.53
108-3854	FILTER-FUEL	\$3.49
108-4000	BUSHING	\$3.37
108-4004	GEAR MOTOR ASM	\$469.33
108-4022	SHAFT-CARRIER, PIVOT	\$105.72
108-4023	SHAFT-CARRIER, PIVOT	\$40.10
108-4032	NO. 1 LIFT ARM ASM	\$531.79
108-4033	NO. 4 LIFT ARM ASM	\$547.23
108-4034	NO. 5 LIFT ARM ASM	\$564.75
108-4172	SEAL-EXCLUDER	\$4.28
108-4176	PLATE-BRUSH	\$22.24
108-4190	ROLLER BRUSH ASM	\$177.38
108-4193	BRUSH-ROLLER	\$53.10
108-4200	BEARING HOUSING ASM	\$241.07
108-4201	BEARING HOUSING ASM	\$228.99
108-4205	PLATE-BRUSH	\$21.97
108-4206	HOUSING-BEARING, DRIVEN	\$179.30
108-4207	HOUSING-BEARING, NON DRIV	\$164.25
108-4213	BRACKET-HOC, GROOMER (LH)	\$60.63
108-4214	BRACKET-HOC, GROOMER (RH)	\$60.63
108-4234	SHAFT-DRIVE	\$45.17
108-4269-01	WEIGHT	\$73.48
108-4279	SPACER-FRAME	\$6.43
108-4284	TUBE-SUPPORT	\$31.56
108-4286	BRACKET-ADJUSTMENT	\$9.39
108-4289	PIN-MOUNT, ROLLER	\$34.38
108-4293	ROLLER	\$8.96
108-4302	BEDKNIFE-TOURNAMENT, EXTE	\$35.03
108-4303	BEDKNIFE-MICROCUT, EXTEND	\$40.32
108-4334	ROLLER-AUXILIARY	\$30.27
108-4339	AUXILIARY ROLLER ASM	\$41.45
108-4391	BELT-HEX	\$120.32
108-4393	BELT-HEX	\$121.58
108-4475-03	SCRAPER-ROLLER, FULL FRON	\$28.32
108-4477	SPACER	\$9.74
108-4478	PLATE-IDLER	\$9.04
108-4480	BRACKET-MOUNTING	\$18.07
108-4491	SPACER	\$4.73
108-4495	HOUSING-BEARING, DRIVEN	\$165.46
108-4496	HOUSING-BEARING, NON DRIV	\$165.46
108-4497	BELT-GROOMER	\$7.08
108-4511-01	TUBE ASM	\$174.42
108-4527-03	BAR-TOOL	\$345.81
108-4957	INSERT-LH	\$80.84

Part Number	Description	Sale Price
108-4958	INSERT-RH	\$80.84
108-4959	ROD-TURF	\$29.94
108-4960	SPRING-COMPRESSION	\$12.64
108-4961	TAB-STOP, SHIELD	\$25.55
108-4975	SHAFT ASM	\$248.81
108-4977	INSERT-LH	\$75.17
108-4978	INSERT-RH	\$75.17
108-4991	FAIRWAY BASKET ASM	\$197.12
108-4994	SPACER	\$10.81
108-5194	FILTER-OIL, HYD	\$29.62
108-5402-03	TORSION TUBE ASM	\$118.67
108-5406-03	PLATE-WEAR	\$35.08
108-5412	SPRING-EXTENSION	\$35.46
108-5418-03	LOCK LEVER ASM	\$103.66
108-5421	PLATE ASM	\$64.77
108-5424	SPRING-TORSION	\$7.07
108-5431	PIVOT-STEERING	\$109.06
108-5432	SPACER-BEARING	\$14.62
108-5472	TUBE ASM	\$37.65
108-5477	SHROUD-FAN	\$87.81
108-5481	HOSE-SUCTION	\$44.26
108-5482	BRACKET-FILTER, OIL	\$13.55
108-5483	HOSE-SUCTION, TANK	\$17.01
108-5484	HUB-FAN	\$74.26
108-5490-03	PLATE-PUMP	\$57.82
108-5498-01	PEDAL	\$53.90
108-5675	HYDRAULIC HOSE ASM	\$61.80
108-6094	LATCH	\$21.90
108-6475	KIT-BEARING HOUSING	\$31.56
108-6496	SWITCH (W/BOOT)	\$10.81
108-6503-03	CONSOLE ASM	\$138.07
108-6505	HOSE-HYD	\$28.32
108-6506	HOSE-HYD	\$30.42
108-6507	HOSE-HYD	\$33.66
108-6508	HOSE-HYD	\$31.11
108-6509	HOSE ASM	\$27.85
108-6510	HOSE ASM	\$29.25
108-6511	HOSE ASM	\$40.33
108-6538	HOUSING-BEARING, SERVICE	\$23.96
108-6539	MANIFOLD-EXHAUST	\$120.49
108-6542	PULL LINK ASM	\$44.55
108-6543	SHAFT-ROLLER	\$36.94
108-6544	SPACER	\$7.28
108-6590-03	BRACKET-SEAT, LOWER	\$26.82
108-6709	BELT-DRIVE	\$10.54
108-6713	BELT-V, RIBBED	\$15.73
108-6715	GAUGE BAR ASM	\$96.88
108-6809	HOLDER-TINE	\$36.80
108-6846	NEEDLE TINE HOLDER ASM	\$33.34
108-6849-03	CLAMP-TINE, NEEDLE	\$6.62
108-6855	SHROUD-WHEEL, RH	\$66.53
108-6856	SHROUD-WHEEL, LH	\$66.53
108-6859-01	SHROUD-CENTER	\$78.27
108-6878	SEAT	\$200.74
108-6885	PIN ASM	\$30.84
108-6895-01	BRACKET-MOUNT, TANK	\$92.90
108-6898	SHROUD-DASH	\$145.34
108-6945	PLUG-SPARK	\$3.20
108-6980	DRUM-BRAKE, 8 INCH	\$122.75
108-6981	BRAKE SHOE KIT	\$38.90

Part Number	Description	Sale Price
108-6983	BRAKE HARDWARE KIT	\$13.06
108-7007	TIRE (22.5X10-8)	\$106.98
108-7384-03	CARRIER FRAME ASM	\$230.72
108-7387	ROLLER ASM	\$250.37
108-7388	SHAFT-ROLLER	\$53.71
108-7389-03	ROLLER TUBE ASM	\$183.46
108-7395-03	BLADE-COMBO, 22IN	\$19.03
108-7577-03	SEAT BASE	\$282.22
108-7582-03	PLATE-PIVOT	\$51.18
108-7584-01	PLATE-GUIDE, ROD	\$6.64
108-7585	GUIDE-HOSE	\$17.07
108-7587	SADDLE-HOOD	\$88.86
108-7591-03	MOUNT-SEAT / CONTROL	\$203.29
108-7602	REST-ARM	\$104.66
108-7604	COVER-LH	\$29.66
108-7605	COVER-RH	\$29.66
108-7623	TUBE ASM	\$96.09
108-7624	TUBE ASM	\$75.09
108-7625	TUBE ASM	\$72.09
108-7629	TUBE ASM	\$47.14
108-7630	TUBE ASM	\$47.14
108-7632	TUBE ASM	\$125.95
108-7633	TUBE ASM	\$125.42
108-7639-03	PLATE	\$5.29
108-7641	CAP-TANK, HYD	\$51.03
108-7643	MUFFLER	\$384.29
108-7662	SCREW-LUG	\$3.03
108-7903	CLAMP-TANK	\$17.01
108-7906-01	PANEL-FRONT	\$57.10
108-7909-03	PANEL-CONTROL	\$12.35
108-7913	CABLE-BRAKE, PARK	\$50.89
108-7931-03	BASE-SEAT	\$38.82
108-7935-03	SHROUD-SEAT	\$123.65
108-7941	PLATE-GUIDE, LEVER	\$10.25
108-7942	REAR LEVER ASM	\$34.86
108-7965	CLAMP-TANK, HYD	\$10.73
108-7977-03	HUB-WHEEL	\$59.65
108-7979-03	BELLCRANK	\$26.75
108-7983	BUSHING-CABLE	\$5.79
108-7986-03	BAR-BRAKE	\$16.80
108-7987	LINK-LATCH, PARKING	\$26.75
108-7991-03	LEVER-BRAKE	\$26.41
108-7994	BUSHING-PIVOT, LEVER	\$5.36
108-7995-03	PLATE-SUPPORT, CONSOLE	\$10.66
108-7996	DIPSTICK ASM	\$22.16
108-8076	V-BELT, DECK	\$21.80
108-8077	V-BELT, DECK	\$35.88
108-8401	HOSE-AIR	\$55.69
108-8406	TUBE ASM	\$91.67
108-8409	TUBE ASM	\$47.70
108-8411	TUBE ASM	\$47.38
108-8414	TUBE ASM	\$48.97
108-8415	TUBE ASM	\$53.85
108-8416	TUBE ASM	\$46.44
108-8426	HOSE ASM	\$43.37
108-8428	HYD HOSE ASM	\$34.69
108-8431	TUBE ASM	\$36.37
108-8432	TUBE ASM	\$40.05
108-8433	HYD HOSE ASM	\$58.51
108-8440	HOSE ASM	\$57.22

Part Number	Description	Sale Price
108-8455-01	BRACKET-CLAMP	\$6.70
108-8457	COOLER-OIL	\$262.23
108-8468	PLUG-HH	\$10.52
108-8470	SLEEVE-STEERING	\$47.27
108-8471	NUT-STEERING	\$23.55
108-8481	YOKE AND BUSHING ASM	\$74.05
108-8482	BUSHING-SLEEVE	\$5.58
108-8483	SPACER-PLAIN	\$5.02
108-8625	ROLLER SHAFT REPLACEMENT	\$39.05
108-8626	FLANGE-TRIANGULAR	\$6.00
108-8642	GRASS BASKET ASM	\$119.99
108-8657	HARNES-WIRE, SEAT	\$9.97
108-9026-03	BLADE-COMBO	\$20.11
108-9036	HYD GEAR PUMP ASM	\$900.79
108-9037	MANIFOLD ASM	\$1,400.85
108-9080	LH SIDE PLATE ASM	\$152.60
108-9081	RH SIDE PLATE ASM	\$152.60
108-9082	PLATE-SIDE, LH	\$186.85
108-9083	PLATE-SIDE, RH	\$186.85
108-9084	SPRING-COMPRESSION	\$9.47
108-9090-01	WEIGHT-END	\$53.92
108-9096	BEDKNIFE-STD (FAIRWAY)	\$42.24
108-9104	TINE-QUAD (AE3-450-2)	\$7.10
108-9105	TINE-QUAD (AE3-450-3)	\$7.43
108-9106	TINE-QUAD (AE3-450-4)	\$7.61
108-9108	TINE-QUAD (AE3-500-2)	\$8.98
108-9109	TINE-QUAD (AE3-500-3)	\$9.98
108-9110	TINE-QUAD (AE3-500-4)	\$10.28
108-9112	TINE-QUAD, CARBIDE (CE3-4	\$11.53
108-9114	TINE-QUAD, CARBIDE (CE3-4	\$12.19
108-9116	TINE-QUAD, CARBIDE (CE3-4	\$12.97
108-9120	TINE-QUAD, CARBIDE (CE3-5	\$13.35
108-9122	TINE-QUAD, CARBIDE (CE3-5	\$13.34
108-9124	TINE-QUAD, CARBIDE (CE3-5	\$13.29
108-9128	TINE-HOLLOW (AH6-475-3)	\$4.84
108-9129	TINE-HOLLOW (AH6-475-4)	\$4.95
108-9130	TINE-HOLLOW (AH6-475-5)	\$4.95
108-9132	TINE-HOLLOW (AH6-575-3)	\$5.07
108-9133	TINE-HOLLOW (AH6-575-4)	\$5.33
108-9134	TINE-HOLLOW (AH6-575-5)	\$5.33
108-9135	TINE-HOLLOW, CARBIDE (CH6	\$15.80
108-9136	TINE-HOLLOW (AH6-650-4)	\$5.33
108-9137	TINE-HOLLOW (AH6-650-5)	\$5.33
108-9138	TINE-HOLLOW (AH6-650-3)	\$5.33
108-9139	TINE-HOLLOW, CARBIDE (CH6	\$11.30
108-9141	TINE-HOLLOW, CARBIDE (CH6	\$11.89
108-9143	TINE-HOLLOW, CARBIDE (CH6	\$11.89
108-9145	TINE-HOLLOW, CARBIDE (CH6	\$11.94
108-9147	TINE-HOLLOW, CARBIDE (CH6	\$11.94
108-9149	TINE-HOLLOW, CARBIDE (CH6	\$12.93
108-9151	TINE-HOLLOW, CARBIDE (CH6	\$14.82
108-9153	TINE-HOLLOW, CARBIDE (CH6	\$15.72
108-9155	TINE-HOLLOW, CARBIDE (CH7	\$12.46
108-9157	TINE-HOLLOW, CARBIDE (CH7	\$12.99
108-9159	TINE-SIDE EJECT (AE6-475-	\$6.13
108-9160	TINE-SIDE EJECT (AE6-475-	\$6.24
108-9161	TINE-SIDE EJECT (AE6-475-	\$6.24
108-9162	TINE-SIDE EJECT (AE6-650-	\$7.60
108-9163	TINE-SIDE EJECT (AE6-575-	\$6.56
108-9164	TINE-SIDE EJECT (AE6-575-	\$6.76

PARTS LIST

PARTS LIST

Part Number	Description	Sale Price
108-9165	TINE-SIDE EJECT (AE6-575-	\$6.76
108-9166	TINE-SIDE EJECT, CARBIDE	\$15.98
108-9167	TINE-SIDE EJECT (AE6-650-	\$8.04
108-9168	TINE-SIDE EJECT (AE6-650-	\$7.66
108-9170	TINE-SIDE EJECT, CARBIDE	\$14.46
108-9172	TINE-SIDE EJECT, CARBIDE	\$14.47
108-9174	TINE-SIDE EJECT, CARBIDE	\$14.47
108-9176	TINE-SIDE EJECT, CARBIDE	\$14.92
108-9178	TINE-SIDE EJECT, CARBIDE	\$15.48
108-9180	TINE-SIDE EJECT, CARBIDE	\$15.48
108-9182	TINE-SIDE EJECT, CARBIDE	\$15.83
108-9184	TINE-SIDE EJECT, CARBIDE	\$15.63
108-9186	TINE-SD EJECT, CARBIDE (C	\$15.04
108-9188	TINE-SD EJECT, CARBIDE (C	\$15.64
108-9190	TINE-HOLLOW (AH7-475-5)	\$4.95
108-9191	TINE-HOLLOW (AH7-475-6)	\$5.07
108-9192	TINE-HOLLOW, (AH7-575-5)	\$5.38
108-9193	TINE-HOLLOW, (AH7-575-6)	\$5.38
108-9194	TINE-SIDE EJECT (AE7-475-	\$7.10
108-9195	TINE-SIDE EJECT (AE7-475-	\$7.10
108-9196	TINE-SIDE EJECT (AE7-575-	\$6.80
108-9197	TINE-SIDE EJECT (AE7-575-	\$6.78
108-9198	TINE-SOLID (AS6-450-25)	\$5.30
108-9199	TINE-SOLID (AS6-450-3)	\$5.30
108-9200	TINE-SOLID (AS6-450-35)	\$5.41
108-9201	TINE-SOLID (AS6-450-4)	\$5.30
108-9202	TINE-SOLID (AS6-450-5)	\$5.30
108-9203	TINE-SOLID (AS6-450-6)	\$5.30
108-9204	TINE-SOLID (AS6-550-25)	\$5.52
108-9205	TINE-SOLID (AS6-550-3)	\$5.41
108-9206	TINE-SOLID (AS6-550-35)	\$5.35
108-9207	TINE-SOLID (AS6-550-4)	\$5.41
108-9208	TINE-SOLID (AS6-550-5)	\$5.41
108-9209	TINE-SOLID (AS6-550-6)	\$5.52
108-9210	TINE-SOLID (AS6-650-3)	\$6.13
108-9211	TINE-SOLID (AS6-650-35)	\$5.97
108-9212	TINE-SOLID (AS6-650-4)	\$6.13
108-9213	TINE-SOLID (AS6-650-5)	\$6.13
108-9214	TINE-SOLID (AS6-650-6)	\$6.68
108-9215	TINE-CROSS, 3/8 (AX3-450-	\$8.88
108-9216	TINE-CROSS, 1/2 (AX3-450-	\$8.99
108-9217	TINE-CROSS, 5/8 (AX3-450-	\$9.30
108-9218	TINE-CROSS, 3/8 (AX3-550-	\$10.30
108-9219	TINE-CROSS, 1/2 (AX3-550-	\$10.69
108-9220	TINE-CROSS, 5/8 (AX3-550-	\$11.10
108-9221	TINE-CROSS, 1/2 (AX6-450-	\$9.57
108-9222	TINE-CROSS, 5/8 (AX6-450-	\$9.90
108-9223	TINE-CROSS, 3/4 (AX6-450-	\$10.24
108-9224	TINE-CROSS, 1/2 (AX6-550-	\$9.85
108-9225	TINE-CROSS, 5/8 (AX6-550-	\$10.19
108-9226	TINE-CROSS, 3/4 (AX6-550-	\$10.58
108-9227	TINE-CROSS, 1/2 (AX6-650-	\$10.13
108-9228	TINE-CROSS, 5/8 (AX6-650-	\$10.58
108-9229	TINE-CROSS, 3/4 (AX6-650-	\$10.92
108-9230	TINE-SOLID (AS3-450-2)	\$4.77
108-9231	TINE-SOLID (AS3-450-25)	\$4.79
108-9232	TINE-SOLID (AS3-450-3)	\$4.79
108-9233	TINE-SOLID (AS3-450-35)	\$4.79
108-9234	TINE-SOLID (AS3-550-2)	\$4.73
108-9235	TINE-SOLID (AS3-550-25)	\$4.84

Part Number	Description	Sale Price
108-9236	TINE-SOLID (AS3-550-3)	\$4.89
108-9237	TINE-SOLID (AS3-550-35)	\$4.95
108-9238	TINE-SLICING, 5/8 (AB3-50	\$12.38
108-9239	TINE-SLICING, 3/4 (AB6-45	\$11.76
108-9240	TINE-SLICING, 3/4 (AB6-55	\$12.10
108-9241	TINE-SLICING, 3/4 (AB6-65	\$12.73
108-9242	TINE-SLICING, HD (550-75)	\$12.99
108-9243	TINE-SLICING, HD (650-75)	\$14.51
108-9244	TINE-SOLID, ROUND (550-75	\$5.30
108-9245	TINE-SOLID, ROUND (650-75	\$5.41
108-9246	TINE-SOLID, ROUND (550-75	\$7.81
108-9247	TINE-SOLID, ROUND (550-88	\$9.00
108-9248	TINE-SOLID, ROUND (650-75	\$10.52
108-9249	TINE-SOLID, ROUND (650-88	\$10.79
108-9259	TINE-CROSS (550-88)	\$13.39
108-9260	TINE-HD 3/4 MT (575-5)	\$7.55
108-9261	TINE-HD 3/4 MT (575-6)	\$7.99
108-9264	TINE-HD 7/8 MT (575-6)	\$9.17
108-9265	TINE-HD 7/8 MT (575-7)	\$8.78
108-9290	TINE-QUAD (AE3-550-4)	\$10.23
108-9293	TINE-QUAD (AE3-450-5)	\$8.59
108-9294	TINE-QUAD (AE3-500-5)	\$10.66
108-9296	TINE-SPOON, OPEN 600	\$5.70
108-9297	TINE-SPOON, CLOSED 600	\$5.70
108-9298	TINE-SPOON, OPEN 800	\$5.70
108-9299	TINE-SPOON, CLOSED 800	\$5.33
108-9955	TIRE	\$35.85
109-0275	HOSE-FUEL	\$9.35
109-0294	HOSE-FUEL	\$3.80
109-0302	HOSE-FUEL	\$5.71
109-0304	HOSE-FUEL	\$1.34
109-0660	HOSE-FUEL	\$2.47
109966	BEARING-BALL	\$9.27
110-0009	JOINT ARM ASM	\$100.87
110-0259-03	TINE-SCARIFIER	\$43.70
110-0260-03	TINE-WEEDER	\$42.80
110-0485	COOLER-OIL	\$471.04
110-0621-03	BLADE-MEDIUM FLOW	\$22.81
110-0622-03	BLADE-ROTARY, HIGH FLOW	\$22.81
110-0624-03	BLADE-ROTARY, ATOMIC	\$22.29
11-0070	SCRAPER COMB ASM	\$49.89
110-0901	HYD MOTOR ASM	\$944.20
110-0906-01	SUPPORT-FILTER, OIL	\$26.98
110-0907-01	BRACKET-BATTERY	\$41.86
110-0913	CONTROL-THROTTLE	\$43.77
110-0914	ROD-PAWL, BRAKE	\$12.15
110-0915	TUBE ASM	\$61.77
110-0916	TUBE ASM	\$63.24
110-0917-01	BRACKET-BULKHEAD, LH	\$22.80
110-0918-01	BRACKET-BULKHEAD, RH	\$22.84
110-0919	BRACKET-SWITCH	\$13.98
110-0922	HOOP-CHAIN	\$7.98
110-0928	HOSE-HYD	\$47.02
110-0929	HOSE-HYD	\$43.17
110-0930	HOSE-HYD	\$43.17
110-0931	HOSE-HYD	\$35.51
110-0938-01	PLATE-BRIDGE	\$10.93
110-0952-03	SCREEN ASM	\$610.02
110-0966	FAN-COOLING	\$70.31
110-0972	PULLEY	\$31.51

Part Number	Description	Sale Price
110-0973	HOSE-HYD	\$45.48
110-0984	DECAL-CONSOLE	\$14.26
110-0986	DECAL-PLATE, COVER	\$5.51
110-0988	TREAD-FLOOR, SIDE	\$5.64
110-0991	NO. 1 LIFT ARM ASM	\$301.63
110-0992	NO. 2 LIFT ARM ASM	\$293.02
110-0993	NO. 3 LIFT ARM ASM	\$293.02
110-0994	NO. 4 LIFT ARM ASM	\$308.53
110-0998	DECAL-PANEL, CONTROL	\$21.04
110-1322	HYD HOSE ASM	\$46.90
110-1323	TUBE ASM	\$82.10
110-1325	HOSE-RETURN	\$20.62
110-1330	TUBE ASM	\$42.68
110-1332	BRACKET-CLAMP	\$10.37
110-1333	BRACKET-CLAMP	\$6.28
110-1350-03	DRAG FRAME ASM	\$713.24
110-1368-01	PLATE-ROLLER	\$70.52
110-1372	FITTING-VENT, TANK	\$20.53
110-1395-03	TOOL BAR ASM	\$318.18
11-0160	ROLLER SHAFT SCREW ASM	\$8.31
110-1700	SPRING-EXTENSION	\$4.09
110-1701	BEARING	\$10.83
110-1706	DEFLECTOR	\$3.12
110-1716	BELT-GROOMER	\$12.85
110-1718	SCREW-HHF	\$1.03
110-1731-03	SCRAPER-WIEHLE, COMB	\$33.66
110-1734	DECAL-BELT TENSION	\$7.07
110-1735	COMB/SCRAPER KIT-RM5010/R	\$152.60
110-1740	BRUSH-ROLLER, HIGH HOC	\$52.90
110-1741	PULLEY-DRIVER	\$42.64
110-1742	PULLEY-DRIVER	\$48.62
110-1743	PULLEY-KEYED DRIVEN	\$40.52
110-1745	IDLER BEARING ASM	\$41.45
110-1746	BELT-BRUSH	\$8.43
110-1747	BELT-BRUSH	\$10.98
110-2220	ROLLER-FULL, 2 INCH DIAME	\$92.40
110-2221	ROLLER-WIEHLE, NARROW	\$184.81
110-2227	ROLLER-WIEHLE, WIDE	\$184.86
110-2300	BEDKNIFE-MICROCUT, EXTEND	\$35.05
110-2301	BEDKNIFE-LOW CUT	\$33.43
110-2333	BLADE-GROOMER, HELIX	\$2.06
110-2338	GROOMER SHAFT ASM	\$235.21
110-2380	BASKET WITH FRAME ASM	\$232.76
110-2381	SPACER	\$7.20
110-2382	SHAFT-DRIVE, REEL	\$32.84
110-2389	SHAFT-HEX	\$42.26
110-2391	WASHER	\$2.12
110-2393	BLADE-GROOMER,CARBIDE	\$6.07
110-2536	BALL JOINT-LH	\$73.48
110-2537	BALL JOINT-RH	\$73.48
110-2538	BEARING-RELEASE, CLUTCH	\$28.69
110-2548	CABLE-CLUTCH	\$84.16
110-2549	CABLE-ACCELERATOR, LIQUID	\$102.85
110-2598	MOTOR-STARTER	\$404.98
110-2730	TIP-CHOPPER ASM	\$15.83
110-2772	BELT-B SECTION/SET OF 3	\$56.20
110-2908	BRUSH-SWEEPER	\$464.30
110-3257	HOSE-FUEL	\$8.49
110-3259	HOSE-FUEL	\$16.23
110-3285	SPINDLE SHAFT ASM	\$87.27

Part Number	Description	Sale Price
110-3314	CABLE-POSITIVE, BATTERY	\$22.53
110-3315	CABLE-POSITIVE, STARTER	\$19.97
110-3322-01	BRACKET-RELAY	\$12.28
110-3362	BAR-PIVOT	\$41.51
110-3364	TIRE(22X11-8) 2 PLY SMOOT	\$120.91
110-3365	PLUG-EXPANSION	\$5.19
110-3371	HOSE-FUEL	\$2.95
110-3380	NUT-STANDOFF	\$3.66
110-3467-01	LH RAIL ASM	\$274.90
110-3468-01	RH RAIL ASM	\$274.90
110-3469	PLUG-HEAD, BALL	\$1.90
110-3575	DRIVESHAF ASM	\$553.93
110-3796	BELT-V	\$41.99
110-3800	STARTER ASM	\$702.99
110-3951	SPRING-TORSION, RH	\$5.72
110-3952	SPRING-TORSION, LH	\$5.72
110-3953	SPRING-TORSION, CENTER	\$5.99
110-3955	CENTER LIFT ARM ASM	\$93.18
110-3986	SCREW	\$0.63
110-4001	MUFFLER	\$396.28
110-4015	HYD MOTOR ASM (CCW)	\$957.68
110-4016	HYD MOTOR ASM (CW)	\$957.68
110-4053	SHAFT-ROLLER	\$51.74
110-4058	BRACKET-CHAIN	\$18.79
110-4060	SHAFT-ROLLER, SHORT	\$61.30
110-4069	BRACKET	\$3.33
110-4074	BEDKNIFE-HD (FAIRWAY)	\$41.74
110-4079	SPRING-COMPRESSION	\$7.20
110-4084	BEDKNIFE-LOW HOC (FAIRWAY	\$42.30
110-4086	GROOMER/RRB BEARING AND S	\$46.00
110-4100	HOSE-FUEL	\$13.98
110-4104	HOSE-FUEL	\$4.23
110-4109	HOSE-FUEL	\$6.16
110-4110	HOSE-LP	\$5.02
110-4113	HOSE-FUEL	\$5.13
110-4146	FILTER-HYD	\$30.37
110-4252-03	ROLLER	\$792.10
110-4327	BELT-BANDED, 4 GROOVE	\$112.40
110-4444	ROLLER ASM	\$308.03
110-4555	BEARING-BALL, 2 ROW	\$82.01
110-4556	BEARING-BALL	\$11.71
110-4635	CROSS AND BEARING KIT	\$94.74
110-4641	CROSS AND BEARING KIT	\$75.82
110-4692-03	HOLDER-7/8 INCH	\$59.00
110-4701	BLADE-ROTARY, STANDARD (2	\$19.90
110-4702-03	BLADE-ROTARY, HIGH FLOW (\$20.63
110-4703-03	BLADE-ROTARY, ATOMIC (20.	\$20.63
110-4767	GM 3280 CASTOR WHEEL ASM	\$83.67
110-4768	GM3280 62" RDD/GUARDIAN B	\$179.02
110-4769	GM3280 72" RDD/GUARDIAN B	\$176.04
110-4770	GM3280 60" SDD BLADE & BE	\$171.02
110-4771	GM3280 72" SDD BLADE & BE	\$180.51
110-4812	AXLE VENT ASM	\$7.23
110-5132	TIRE	\$179.48
110-5133	TIRE	\$70.70
110-5227	HUB-PUMP	\$19.06
110-5236	HUB-ENGINE	\$19.38
110-5251-03	FRAME-RADIATOR	\$423.11
110-5253-01	ADAPTER-HOOD, LH	\$77.99
110-5254-01	ADAPTER-HOOD, RH	\$77.99

PARTS LIST

PARTS LIST

Part Number	Description	Sale Price
110-5255	BUMPER-BASE, SEAT	\$18.35
110-5256-01	BRACKET-LATCH, HOOD	\$17.15
110-5259-03	BRACKET-HOOD, GUIDE	\$56.48
110-5269-03	SCREEN	\$785.22
110-5275	SEAL-FOAM	\$11.69
110-5276	SEAL-FOAM	\$11.30
110-5286	TUBE ASM	\$165.21
110-5287	TUBE ASM	\$93.88
110-5288	TUBE ASM	\$77.93
110-5295-03	LINK-DRAG, RH	\$53.64
110-5297-03	LINK-DRAG, LH	\$53.64
110-5299-03	SPINDLE	\$96.63
110-5310-01	BRACKET-MOUNTING	\$35.35
110-5311	SHROUD-FAN	\$230.12
110-5313-03	BRACKET-RETAINER	\$20.95
110-5314	LATCH	\$13.77
110-5323-03	BRACKET	\$37.35
110-5324	SEAL-FOAM	\$9.88
110-5331	SPRING-COMPRESSION	\$11.10
110-5334-03	TIE ROD ASM	\$257.63
110-5335	ROD-TIE	\$84.35
110-5337	NUT-JAM	\$5.15
110-5339	SPACER	\$13.33
110-5340	LATCH	\$18.85
110-5343-03	BRACKET-BRAKE	\$28.94
110-5345	WASHER	\$2.33
110-5688	HOSE-FUEL	\$21.38
110-5946-03	BLADE-ROTARY	\$24.98
110-5948-03	BLADE-ROTARY, ATOMIC	\$22.81
110-5999-01	CASTOR FORK ASM	\$217.92
110-6115-03	BLADE-FLAT SAIL, 21.75 IN	\$21.21
110-6116-03	BLADE-FLAT SAIL, 19.00 IN	\$22.84
110-6129	IDLER ARM ASM	\$67.45
110-6130	FLAT BLADE SERVICE PACK (\$141.05
110-6140	FLAT BLADE SERVICE PACK (\$151.89
110-6166	FILTER-OIL	\$17.75
110-6186	HOSE-FUEL	\$9.32
110-6187	HOSE-FUEL	\$7.69
110-6303	HYD HOSE ASM	\$69.85
110-6310	FRONT WHEEL HUB ASM	\$162.29
110-6311	STUD	\$6.78
110-6312-03	WEIGHT	\$162.29
110-6314	SPINDLE	\$84.50
110-6348-03	SHIELD-EXHAUST	\$112.16
110-6460	SEAL KIT	\$45.49
110-6461	SEAL KIT	\$67.14
110-7350	HOC KIT	\$28.25
110-7351	ARM-HOC	\$16.87
110-7352	SCREW-HOC	\$12.16
110-7370	GRASS SHIELD ASM	\$69.44
110-7500	HANGER-FLAIL, PIVOT	\$2.82
110-8105	LINK ASM	\$122.29
110-8151	HOSE-FUEL, FORMED	\$16.11
110-8181	HOSE-FUEL	\$4.59
110-8195	WASHER-STEERING	\$10.16
110-8297	BEARING ASM	\$32.40
110-8537	SPINDLE ASM	\$143.14
110-8751	HOSE-FUEL	\$4.95
110-8785	HYD MOTOR ASM (CCW)	\$748.85
110-8786	HYD MOTOR ASM (CW)	\$748.85

Part Number	Description	Sale Price
110-8787	FRONT CARRIER FRAME ASM	\$267.73
110-8795	CABLE-THROTTLE	\$26.95
110-8806	PUMP-FUEL	\$156.57
110-8813	CABLE-BATTERY, NEGATIVE	\$37.63
110-8814	FUEL FILTER ASM	\$48.33
110-8851	MECHANICAL SUSPENSION ASM	\$584.68
110-8852	FAN-COOLING	\$167.24
110-8856	SPACER	\$13.48
110-8871	RH BRAKE ASM	\$225.61
110-8872	LH BRAKE ASM	\$225.61
110-8874-03	CATCH	\$20.83
110-8876-01	BRACE-COLUMN	\$29.22
110-8878	SHIELD-WHEEL, REAR (RH)	\$37.94
110-8882	VALVE-RELIEF, CROSS OVER	\$244.00
110-8884	RH ACTUATOR KIT	\$32.67
110-8885	DUST BOOT KIT	\$11.85
110-8896	SEAL KIT	\$188.53
110-8910	LH ACTUATOR KIT	\$32.67
110-8915	HYD TUBE ASM	\$79.49
110-8917	AIR CLEANER ASM	\$132.15
110-8921	DECAL-SPEED, MOW	\$6.43
110-8924	DECAL-DANGER	\$12.70
110-8925	HINGE ASM	\$13.71
110-8928	PIN ASM	\$18.35
110-8942	HOSE-FORMED	\$46.65
110-8943	HOSE-FORMED	\$40.52
110-8944	HOSE-FORMED	\$90.07
110-8946	CLAMP-FRAME, RADIATOR	\$10.37
110-8951-03	BUMPER	\$133.69
110-8955	HOSE	\$19.61
110-8964	HYD MOTOR ASM	\$764.62
110-8965	HYD MOTOR ASM	\$764.62
110-8966	HOSE-HYD	\$48.60
110-8971	LATCH	\$9.47
110-8972	HOOK-LATCH	\$5.02
110-8976	PLATE-SUPPORT, ISOLATOR	\$2.83
110-8977-03	STAND-AIR CLEANER	\$73.77
110-8981-03	BRACKET-MOUNTING	\$29.65
110-8982	WASHER-SPRING	\$2.62
110-9007-03	SUPPORT-CABLE, THROTTLE	\$9.31
110-9011	HOSE-FUEL	\$22.60
110-9015	ELEMENT-SPIN ON	\$45.89
110-9021	HOSE-FORMED	\$49.55
110-9029	BIO-DIESEL KIT	\$37.16
110-9035	HYD CYLINDER ASM	\$356.82
110-9036	CABLE-BRAKE, RH	\$60.08
110-9037	CABLE-BRAKE, LH	\$60.08
110-9041	STEP-ALUMINUM	\$102.75
110-9044	SEPARATOR-FILTER	\$64.18
110-9046	HUB ASM	\$75.31
110-9049	FILTER-SPIN ON	\$16.20
110-9590	BELT-V	\$49.81
110-9591	BELT-V	\$44.56
110-9592	BELT-V	\$47.21
110-9593	BELT - V	\$53.55
110-9594	BELT-V	\$55.94
110-9595	BELT-V	\$47.31
110-9600	RM DPA HIGH HOC KIT (F06-	\$158.34
110-9602-03	3" FULL FRONT ROLLER SCRA	\$35.96
110-9609-03	SHOULDER ROLLER SCRAPER A	\$47.96

Part Number	Description	Sale Price
110-9611	ROLLER-SHOULDER, PLASTIC	\$316.37
110-9612-03	FULL ROLLER TUBE ASM (3IN	\$127.40
110-9628	LH SIDE PLATE ASM	\$180.50
110-9629	RH SIDE PLATE ASM	\$177.83
110-9630	LH SIDE PLATE ASM	\$161.66
110-9631	RH SIDE PLATE ASM	\$161.66
110-9642	DECAL-WARNING	\$8.25
110-9683	SHAFT-REAR ROLLER	\$23.51
110-9695	HUB-PUMP	\$26.57
110-9713	CARRIER FRAME ASM	\$414.43
111-1276	BEARING	\$3.40
111-1381	CUTTING DISC	\$19.98
111-1492	ROLLER BEARING	\$13.76
111-1717	ROLLER SHAFT WA **H56**	\$36.94
111-5755	TIRE	\$104.98
111-5758	BEARING	\$13.15
112-0009	LEVER-PUMP KIT	\$57.66
112-0153	SCREW	\$0.41
112-0156	ARM-CONTROL	\$231.53
112-0176	PAINT-BLACK BOTTLE	\$6.61
112-0177	PAINT-RED PEN	\$11.89
112-0178	PAINT-RED BOTTLE	\$6.61
112-0205	HYD HOSE ASM	\$88.84
112-0217-01	FRAME	\$2,157.56
112-0220	GRILLE-MUFFLER	\$11.29
112-0237	MOTOR-WHEEL, HYD (LH)	\$1,054.01
112-0238	MOTOR-WHEEL, HYD (RH)	\$1,054.01
112-0273	HYD HOSE ASM	\$83.42
112-0278	SWITCH-REED	\$30.77
112-0285-01	FORK-CASTOR	\$277.73
112-0289	MANIFOLD ASM (WITH BACKLA	\$2,237.53
112-0291	SHIELD-MUFFLER	\$30.00
112-1300	SLEEVE-TINE, 1/2"	\$2.72
112-1301	SLEEVE-TINE, 5/8"	\$2.85
112-1303	TINE-SIDE EJECT	\$5.63
112-1304	TINE-SE, CARBIDE	\$13.79
112-1306	TINE-HOLLOW	\$4.72
112-1307	TINE-HOLLOW, CARBIDE	\$12.32
112-1310	TINE-CROSS, CARBIDE	\$15.93
112-1311	TINE-CROSS, CARBIDE	\$16.27
112-1312	TINE-CROSS, CARBIDE	\$17.18
112-1313	TINE-CROSS, CARBIDE	\$17.18
112-1314	TINE-CROSS, CARBIDE	\$17.06
112-1316	TINE-QUAD (AE4-450-3)	\$6.91
112-1322	TINE-QUAD, CARBIDE (CE4-4	\$12.10
112-1329	TINE-SOLID (AS4-550-25)	\$5.97
112-1330	TINE-SOLID (AS4-550-35)	\$5.63
112-1332	TINE-QUAD (AE5-450-3)	\$7.76
112-1347	TINE-SOLID	\$5.68
112-1348	TINE-SOLID	\$5.23
112-1350	STARTER ASM	\$311.42
112-1351	STARTER ASM	\$432.84
112-1353	STARTER ASM	\$432.84
112-1356	STARTER ASM	\$306.15
112-1358	ALTERNATOR	\$339.94
112-1359	ALTERNATOR	\$348.38
112-1360	ALTERNATOR	\$432.63
112-1364	ALTERNATOR	\$720.11
112-1366	STARTER	\$432.84
112-1400	PIVOT ASM	\$151.10

Part Number	Description	Sale Price
112-1403	ADAPTER ASM	\$249.77
112-1405	ADAPTER ASM	\$247.89
112-1432	ADAPTER ASM	\$448.58
112-1480-01	PLATE-BAHIA, RIGHT	\$46.79
112-1482-01	PLATE-BAHIA, LEFT	\$46.79
112-1704	PLASTIC WIEHLE ROLLER ASM	\$314.15
112-1705	ROLLER-WIEHLE, PLASTIC	\$193.30
112-1707	SHAFT-ROLLER, WIEHLE	\$43.27
112-1708	SHORT REAR ROLLER ASM	\$256.00
112-1711	SHAFT-REAR ROLLER, SHORT	\$43.27
112-1718-01	BEDBAR	\$196.80
112-1728	LONG REAR ROLLER ASM	\$236.98
112-1731	SHAFT-REAR ROLLER, LONG	\$42.21
112-1732	FULL ROLLER ASM	\$236.98
112-1733	PLASTIC SHOULDER ROLLER A	\$336.00
112-1734	ROLLER-SHOULDER, PLASTIC	\$330.61
112-1735-01	SHIELD-REAR	\$69.86
112-1738	FRONT GRASS SHIELD ASM	\$29.47
112-1853	BELT-V	\$15.61
112-2511	BELT	\$35.68
112-2911	BELT-STARTER	\$22.85
112-2912	BELT-DRIVE	\$58.09
112-2923	SEAT ASM	\$194.46
112-3131	BELT-STARTER	\$18.89
112-3163	TIRE	\$107.48
112-4254	BELT-TIMED	\$44.83
112-5102	TINE-SLICING	\$11.71
112-5103	TINE-SLICING	\$11.71
112-5105	TINE-CROSS	\$10.01
112-5106	TINE-CROSS	\$9.52
112-5107	TINE-CROSS	\$9.80
112-5121	TINE-FAIRWAY, SPLIT (GF7-	\$7.88
112-5122	TINE-FAIRWAY, SPLIT (GF6-	\$8.72
112-5123	TINE-FAIRWAY, SPLIT (GF7-	\$8.22
112-5262	SHAFT-ROLLER	\$61.20
112-5265	ROLLER ASM	\$250.02
112-5268	MOUNT-ROLLER	\$51.46
112-5290	BEARING-STEEL, STAINLESS	\$8.90
112-5291	KIT-GREASABLE ROLLER ASM	\$263.83
112-5757	MOUNT-ENGINE, RUBBER	\$46.76
112-6461	HOSE-ADAPTER, CARBORETOR	\$14.62
112-6468-03	BRACKET	\$30.98
112-6950	SCREW-CARR	\$0.43
112-6951	BRUSH COVER ASM	\$113.02
112-6952	BRUSH COVER ASM	\$73.35
112-6957	WASHER-HARDENED	\$1.18
112-6967	O-RING	\$1.76
112-6968	O-RING	\$1.76
112-7022	STARTER ASM	\$348.38
112-7023	STARTER ASM	\$221.69
112-7153	PIN	\$8.25
112-7156-03	RH LIFT ARM ASM	\$224.57
112-7157-03	LH LIFT ARM ASM	\$221.71
112-7161	SCREW-HH	\$1.29
112-7376	BELT-V, B	\$80.27
112-7377	BELT-V, B	\$27.12
112-7451	SCREW-TAP	\$1.76
112-7494	SEAL	\$4.19
112-7673	AXLE SHAFT ASM	\$247.27
112-7688	CONTROL-THROTTLE	\$19.84

PARTS LIST

PARTS LIST

Part Number	Description	Sale Price
112-7689	CONTROL-CHOKE	\$25.55
112-7836	FILTER-INLINE	\$9.71
112-8400	FUEL PUMP KIT	\$154.40
112-8409	FILTER-OIL	\$9.26
112-8908-01	BEDBAR	\$263.28
112-8910	BEDKNIFE-EDGEMAX	\$106.10
112-8915	REAR ROLLER ASM	\$313.50
112-8916-03	TUBE-ROLLER, LONG	\$215.96
112-8916-0P	TUBE-ROLLER, LONG	\$215.96
112-8918	SHAFT-LONG, REAR ROLLER	\$51.11
112-8935	FRAME-CENTER	\$294.76
112-8942	FRONT GRASS SHIELD ASM	\$26.72
112-8944-01	SHIELD-GRASS, REAR	\$45.51
112-8954-01	BEDBAR	\$392.09
112-8961	REAR ROLLER ASM	\$382.00
112-8962-03	TUBE-LONG	\$249.63
112-8962-0P	TUBE-LONG	\$249.63
112-8978	FRAME-CENTER	\$265.73
112-9130	BIO-DIESEL KIT, GM580D	\$187.71
112-9140	BIO-DIESEL FILTER KIT	\$302.79
112-9170	SEAL KIT	\$95.20
112-9174-01	FORK-CASTER	\$277.73
112-9180	STRAP-SHAFT, BRAKE	\$18.60
112-9181	PLATE-BOOT	\$2.74
112-9182	KIT-FUEL FILTER	\$81.78
112-9184	SEAL KIT	\$89.98
112-9185	HOSE ASM	\$50.62
112-9188	ELEMENT-FILTER, FUEL/WATE	\$45.98
112-9193	HOSE-HYD	\$45.35
112-9197	MANIFOLD ASM W/BACKLAP	\$2,237.53
112-9275	BEDKNIFE-MICROCUT	\$50.27
112-9279-0P	BEDBAR-AGGRESSIVE	\$279.53
112-9458	GROOMER SHAFT AND PULLEY	\$242.58
112-9462-03	BASKET FRAME ASM	\$67.59
112-9469-01	AXLE ASM	\$67.77
112-9471	GRASS SHIELD ASM	\$84.53
112-9586-03	BLADE-FLAT	\$23.90
112-9916	HYD CYLINDER ASM	\$435.54
112-9918	THROTTLE CABLE KIT	\$31.82
112-9919	STOP-CABLE, THROTTLE	\$2.26
114-0381-03	ARM NO. 1 ASM	\$235.86
114-0382-03	ARM NO. 2 ASM	\$235.86
114-0383-03	ARM NO. 3 ASM	\$208.81
114-0384-03	ARM NO. 4 ASM	\$279.99
114-0385-03	ARM NO. 5 ASM	\$319.34
114-0430	TUBE-SEG, ROLLER	\$3.96
114-0434-03	BLADE-HIGH LIFT, 22IN	\$24.98
114-0435-03	BLADE-ATOMIC, 22IN	\$24.98
114-0440-03	SUPPORT-DECK	\$505.18
114-0550	TINE-HOLLOW	\$5.38
114-0551	TINE-HOLLOW	\$5.07
114-0553	TINE-HOLLOW, CARBIDE	\$11.94
114-0555	TINE-SD EJECT	\$6.35
114-0557	TINE-SD EJECT, CARBIDE	\$15.02
114-0558	TINE-SD EJECT	\$7.10
114-0560	TINE-SD EJECT, CARBIDE	\$16.04
114-0561	TINE-HOLLOW, CARBIDE	\$12.10
114-0583	SLEEVE, .500 DIA	\$2.72
114-0584	SLEEVE, .625 DIA	\$2.96
114-0590-01	SLEEVE TOOL ASM	\$81.16

Part Number	Description	Sale Price
114-0620	HYDRAULIC CYLINDER ASM	\$563.97
114-0626	HYD CYLINDER ASM	\$279.33
114-0631	CLEVIS-LATCH, PARKING	\$6.43
114-0633	HOSE-HYD	\$98.66
114-0641-03	PIVOT ASM	\$45.39
114-0897	BLADE KIT-ATOMIC,GM59XX	\$238.36
114-2726	LEVER-BRAKE	\$19.09
114-3315	SOLENOID	\$67.13
114-3319	HARNESS-WIRE, MAIN	\$610.65
114-3494	ELEMENT-FILTER, 25 MICRON	\$8.99
114-3717	SEAL-OIL	\$1.83
114-3825	FAN	\$208.00
114-3831	HOSE-RADIATOR, UPPER	\$34.81
114-3832	HOSE-RADIATOR, LOWER	\$34.81
114-3837	HOSE ASM	\$131.95
114-3848	COUPLER-SPRING, FLYWHEEL	\$265.52
114-3849	MUFFLER-TURBO	\$347.59
114-3972	CHAIN	\$5.18
114-4057	ELEMENT-SAFETY, 5 INCH	\$18.80
114-4319	PIVOT PIN, ASM	\$39.02
114-4634	KIT-ADJUSTER, SERVICE	\$21.17
114-4643	WHEEL	\$104.02
114-4650	DRIVE PLATE ASM, LH	\$133.34
114-4665	TIRE ASM	\$161.74
114-4672	STEERING VALVE ASM	\$629.58
114-4680	TANK ASM	\$231.83
114-4683	PIN-HINGE	\$28.25
114-4685	PIN-HINGE	\$28.25
114-4693-03	MOUNT-STEERING	\$72.77
114-4861	TIRE	\$304.40
114-5062	CAP-BIODIESEL	\$21.20
114-5400	PLASTIC WIEHLE ROLLER ASM	\$299.37
114-5401	WIEHLE ROLLER PLASTIC (22	\$156.26
114-5403	SHAFT-ROLLER, FRONT	\$45.04
114-5404	ROLLER ASM (LONG)	\$155.95
114-5406	2.5 INCH DIA ROLLER ASM (\$232.12
114-5407	SHAFT-LONG, REAR ROLLER	\$53.99
114-5410	SHAFT-SHORT, REAR ROLLER	\$54.13
114-5411	NUT-LOCK, BEARING	\$19.66
114-5412	3 INCH DIA FULL FRONT ROL	\$232.12
114-5415	3 INCH DIA ROLLER ASM (LO	\$232.12
114-5417	3 INCH DIA ROLLER ASM (SH	\$232.12
114-5418-03	3 IN DIA ROLLER TUBE ASM	\$218.00
114-5419	FULL FRONT ROLLER ASM	\$232.12
114-5421	PLASTIC SHOULDER ROLLER A	\$304.23
114-5422	ROLLER-SHOULDER, PLASTIC	\$330.61
114-5430	ROLLER REBUILD KIT	\$73.66
114-5596	BUSHING-STRAIGHT	\$11.61
114-5640-03	JOINT YOKE ASM	\$264.22
114-5680	BUSHING-FLANGE	\$3.64
114-7606	CHOPPER-AXLE ASM	\$1,217.88
114-7614	BLADE-BENT	\$18.25
114-7715	AXLE-BRUSH	\$705.84
114-7728	SCREW-HF	\$1.12
114-7741	TIRE	\$65.70
114-7742	RIM	\$77.20
114-8119	STEERING VALVE ASM	\$565.86
114-8385	FAN-ELECTRIC	\$383.56
114-8859	HYD WHEEL MOTOR ASM	\$806.29
114-8860	HYD WHEEL MOTOR ASM	\$806.29

Part Number	Description	Sale Price
114-8868	HYD HOSE ASM	\$103.99
114-8874	NO. 4 LIFT ARM ASM	\$284.33
114-8876	HUB ASM	\$105.46
114-8897	MUFFLER	\$384.29
114-9383	FULL FRONT ROLLER ASM (3I	\$278.91
114-9384	FULL FRONT ROLLER ASM (3I	\$360.00
114-9388	BEDKNIFE-STD	\$47.22
114-9389	BEDKNIFE-STD	\$56.83
114-9390	BEDKNIFE-HD	\$48.81
114-9391	BEDKNIFE-HD	\$56.83
114-9396	CAPSCREW-HH	\$1.24
115-0120-03	PEDAL-BRAKE	\$88.17
115-0123	V-BELT	\$21.33
115-0129	ROD-PAWL, BRAKE	\$19.70
11-5049	LH GEAR CASE ASM	\$352.53
11-5059	RH GEAR CASE ASM	\$352.53
11-5069	MAIN TUBE ASM	\$267.79
11-5079	LH ROLLER BRACKET ASM	\$52.99
115-0811	ROLLER BRUSH ASM (27IN)	\$215.18
115-0813	BRUSH-ROLLER	\$98.81
115-0828	BELT-BRUSH, 7-INCH	\$16.87
115-0833	BELT-BRUSH, 7 INCH	\$18.89
115-0838	BRUSH-ROLLER (HIGH HOC)	\$105.78
115-0839	SPRING-IDLER	\$4.21
11-5089	RH ROLLER BRACKET ASM	\$30.00
115-0894	BELT-BRUSH, 5 INCH (5-RIB	\$16.32
115-1554	LATCH-DRAW	\$20.61
115-1572	TIRE	\$95.30
115-1770	21 INCH GROOMER SHAFT ASM	\$238.25
115-1880	BEDKNIFE-EDGEMAX, MICROCU	\$76.35
115-1881	BEDKNIFE-EDGEMAX, TOURNAM	\$76.35
115-2007	ROD-SPRING	\$19.70
115-2165	BALL JOINT	\$35.08
115-2283	CABLE-BRAKE, PARK	\$64.95
115-2284	CABLE-CLUTCH	\$96.48
115-2285	CABLE-ACCELERATOR	\$100.06
115-2292	TIMER-GLOW PLUG	\$214.70
115-2661	BRAKE DRUM ASM	\$83.39
115-2951	BELT-A SECTION	\$10.38
115-3259	KIT-SERVICE, PIN	\$30.06
115-3260	KIT-SERVICE, PIN	\$30.51
115-3273	KIT-SERVICE, CYLINDER	\$521.80
115-3282	WASHER-SPECIAL	\$1.29
115-3290	RH SUPPORT PLATE ASM	\$90.21
115-3296	BEARING-SEALED	\$28.28
115-3299	SEAL-FLOCKED	\$9.10
115-3303-03	BAR-CUTOFF	\$4.90
115-3311	LH SUPPORT PLATE ASM	\$90.02
115-3366	ROLLER	\$53.57
115-3434	SPINDLE	\$107.52
115-3453	CARRIER FRAME ASM	\$410.59
115-3461	LH LIFTARM ASM	\$214.51
115-3462	RH LIFTARM ASM	\$214.51
115-3465	LH SHORT LIFTARM ASM	\$222.51
115-3466	RH SHORT LIFTARM ASM	\$261.56
115-3473	REAR LIFTARM ASM	\$350.37
115-3475	REAR LIFTARM ASM	\$272.61
115-3488	SPRING-TORSION	\$13.05
115-3771	HOSE ASM	\$216.22
115-4260	PLATE-SIDE, LH	\$215.35

Part Number	Description	Sale Price
115-4263	PLATE-SIDE, RH	\$215.35
115-4295	BELT-GROOMER	\$13.38
115-4510	BIMINI FOLDING SHADE ASM	\$289.98
115-4523	COUPLING-RUBBER	\$21.93
115-5219	PULLEY-DRIVEN, SPLINED	\$42.48
115-5258	SPRING-WIRE, FLAT	\$2.23
115-5296	NEEDLE VALVE ASM	\$204.99
115-5300	PROXIMITY SWITCH ASM	\$90.22
115-5304	CAP-FUEL	\$16.71
115-5305	CAP-FUEL	\$17.24
115-5357-03	BRACKET-JOYSTICK	\$21.31
115-5469	BUSHING-FLANGE	\$4.81
115-5471	ELEMENT-SEPARATOR, FUEL/W	\$38.66
115-5618	PIVOT-HUB	\$31.51
115-5642-03	BLADE ASM	\$228.77
115-5647	HYD LIFT CYLINDER ASM	\$288.83
115-5649	HITCH REPLACEMENT KIT	\$371.26
115-6699	BRAKE ROD ASM	\$56.12
115-6743	BELT-DRIVE, MAIN	\$16.64
115-6744	BELT-DRIVE, DRUM	\$12.51
115-6784	NUT-BEARING	\$25.58
115-6882	SHAFT-HEX, REEL	\$42.15
115-6923	SHIELD-BEARING, FLOCKED	\$9.16
115-7039	SCREW-ADJUSTER, BEDBAR	\$35.17
115-7041	ARM-HOC	\$28.31
115-7140	GASKET-HOUSING, MAIN	\$3.92
115-7143	SPRING-WAVE	\$4.30
115-7171	CABLE-BRAKE	\$45.91
115-7172	CABLE-CLUTCH, REEL	\$60.77
115-7193	NUT-HOC	\$1.55
115-7263	SCREW-LOCK, BEARING	\$7.05
115-7354	WHEEL ASM	\$61.77
115-7356	REAR FULL ROLLER ASM (ALU	\$197.69
115-7360	NARROW WIEHLE ROLLER ASM	\$305.33
115-7361	AUXILIARY ROLLER EXTENSIO	\$244.01
115-7365	BLADE-SCRAPER, WIDE (21 I	\$29.43
115-7366	BLADE-SCRAPER, FULL (21 I	\$29.33
115-7380	NARROW WIEHLE ROLLER SCRA	\$117.39
115-7386	WIDE WIEHLE ROLLER ASM (D	\$233.93
115-7388	SMOOTH ROLLER ASM (DIA 2.	\$229.57
115-7753	HOSE-COOLANT, UPPER	\$34.86
115-7771	SHAFT-SPLINED	\$104.30
115-7811	CABLE-SELECTOR, GEAR	\$124.17
115-7812	CABLE-HI LOW	\$98.97
115-7818	FUEL FILTER ASM	\$32.17
115-7854	FILTER-FUEL, INLINE	\$4.98
115-8059	YOKE-CABLE	\$7.69
115-8060	CLEVIS-DOUBLE	\$10.87
115-8063-03	MOUNT-ENGINE, RH	\$70.18
115-8066-03	MOUNT-ENGINE	\$22.03
115-8189	FILTER-OIL, ENGINE	\$9.71
115-8250	GEAR MOTOR ASM	\$615.34
115-8292-03	TUBE-ROLLER (LONG)	\$172.65
115-8292-0P	TUBE-LONG	\$172.65
115-8293-03	TUBE-ROLLER, 2.5 INCH DIA	\$145.76
115-8293-0P	TUBE-SHORT	\$145.76
115-8294-03	TUBE-ROLLER (LONG)	\$163.59
115-8294-0P	TUBE-LONG	\$163.59
115-8295-03	ROLLER TUBE ASM (FULL)	\$153.75
115-8295-0P	TUBE ASM-ROLLER 2.5" DIA	\$153.75

PARTS LIST

PARTS LIST

Part Number	Description	Sale Price
115-8296-03	TUBE-ROLLER (SHORT)	\$218.00
115-8296-0P	TUBE-ROLLER (SHORT)	\$218.00
115-8297-03	TUBE-ROLLER, FULL	\$214.86
115-8297-0P	TUBE-FULL ROLLER	\$214.86
115-8298-03	BRACKET-COMB	\$45.99
115-8299	PLATE-COMB	\$34.37
115-8483	HYD HOSE ASM	\$191.92
115-8484	HYD HOSE ASM	\$196.27
115-8603	STARTER ASM	\$604.98
115-8861	STARTER	\$548.97
115-8877	FILTER-AIR, ENGINE (SAFET	\$19.13
115-8887	FILTER-AIR, ENGINE (PRIMA	\$34.48
115-8896	BLADE KIT-STD BLADE,GM59X	\$261.04
115-8898	BLADE-BELT KIT,GM59XX	\$491.88
115-8957	BELT-B-SECT. MATCH SET OF	\$31.66
115-9022	FINGER-PLASTIC	\$1.18
115-9023	CLAMP-FINGER	\$3.56
115-9024	PLATE-CENTER	\$25.33
115-9471	BEARING-CUP	\$4.23
115-9472	BEARING-CONE AND SEAL	\$15.53
115-9473	ALTERNATOR-60AMP	\$580.64
115-9793	BREATHER	\$34.91
117-0106	CABLE-BRAKE, RH	\$70.38
117-0107	CABLE-BRAKE, LH	\$70.38
117-0118	PIVOT ASM	\$36.98
117-0132	PIN	\$17.38
117-0148	PIN-CYLINDER	\$21.50
117-0172	SCREW-HH	\$10.68
117-0203-03	BRACKET-BRAKE SPRING	\$15.89
117-0208	SHAFT-PIVOT, LIFTARM	\$61.96
117-0209-03	BLADE-ANGLE SAIL, 22IN	\$23.90
117-0211	HYD HOSE ASM	\$143.97
117-0213	HYD HOSE ASM	\$126.69
117-0238	DETENT	\$7.69
117-0289	MVP KIT -HYD HOSE (GM4300	\$2,160.41
117-0297	ROLLER ASM-SECTIONAL	\$401.04
117-0299	HYD HOSE ASM	\$122.38
117-0823	TIRE-STANDARD	\$107.60
117-0957	SHAFT-ROLLER, WIEHLE	\$53.83
117-0959	ROLLER-WIEHLE, PLASTIC	\$256.22
117-0960	PLASTIC WIEHLE ROLLER ASM	\$337.16
117-0987	SHAFT-ROLLER, FRONT	\$50.67
117-0989	ROLLER-WIEHLE, PLASTIC	\$258.86
117-0990	PLASTIC WIEHLE ROLLER ASM	\$396.00
117-1353	BELT-TRACTION	\$18.98
117-1397	CABLE-CLUTCH, TRACTION	\$53.82
117-1408	DRUM	\$285.68
117-1507	GROOMING REEL ASM	\$367.43
117-1511	SCREW-HSH	\$1.90
117-1530	BEDKNIFE-EDGEMAX, MICROCU	\$79.77
117-1532	BEDKNIFE-EDGEMAX, TOURNAM	\$77.44
117-1548	BEDKNIFE-EDGEMAX TOURNAME	\$103.99
117-2364	HUB-FAN	\$104.77
117-2376	CABLE-BATTERY, POSITIVE	\$123.20
117-2453	SEAT KIT	\$239.58
117-2720	MVP KIT-HYD HOSE (RM5X10	\$992.49
117-2721	MVP KIT-HYD HOSE, GR3250-	\$564.14
117-2722	MVP KIT-BLADE PACK, STD (\$129.21
117-2723	MVP KIT-HYD HOSE (RM4000	\$1,768.25
117-2724	MVP KIT-HYD HOSE (RM3100	\$524.09

Part Number	Description	Sale Price
117-2725	MVP KIT-HYD HOSE, GR3150	\$574.56
117-2726	CASE-SEAL KIT	\$26.36
117-2727	SEAL KIT WITH CASE	\$88.03
117-2792	FILTER-FUEL	\$31.34
117-2901	TIRE	\$130.25
117-3290	NUT-HEX	\$12.31
117-3399	BELT-V	\$13.19
117-3756	FULL REAR ROLLER ASM	\$308.98
117-3759	FULL FRONT ROLLER ASM	\$329.58
117-3763	PLATE-SIDE, RH	\$217.03
117-3764	PLATE-SIDE, LH	\$217.03
117-4464	BELT-V	\$23.16
117-4687	WASHER-CUP	\$1.53
117-4689	SPRING RAKE KIT	\$29.33
117-4764	DECAL-DANGER	\$2.88
117-4861	HOSE-HYD	\$50.44
117-4922	BELT-VEE	\$39.59
117-5100	SHAFT-REAR ROLLER	\$84.22
117-5115	HUB AND BEARING ASM	\$49.95
117-5121	SECTIONAL ROLLER ASM	\$274.58
117-5125	TIRE	\$83.00
117-5129	RIM	\$97.84
117-5135	RADIATOR	\$814.53
117-5141	HYD MOTOR ASM	\$762.56
117-5188	HOSE-HYD	\$127.39
117-5190	HOSE-HYD	\$113.26
117-5196	TIRE	\$198.98
117-5419	ALTERNATOR	\$737.94
117-5541	60 AMP ALTERNATOR ASM	\$358.93
117-5834	NOZZLE-SPRAYER	\$7.70
117-5835	NOZZLE-SPRAYER	\$7.70
117-5836	NOZZLE-SPRAYER	\$5.50
117-5837	NOZZLE-SPRAYER	\$5.50
117-5838	NOZZLE-SPRAYER	\$5.50
117-5839	NOZZLE-SPRAYER	\$5.50
117-5896	BELT-CVT	\$36.55
117-6619	BUSHING	\$7.85
117-6788	RH DRIVE PLATE ASM	\$130.00
117-6799	CARBIDE GROOMING REEL ASM	\$583.11
117-6824	BLADE-11 TOOTH (1.2 MM CA	\$13.37
117-6831	BEARING-BALL, STAINLESS	\$29.66
117-6839	DETHATCHER BLADE KIT (1.2	\$457.25
117-6840	DETHATCHER BLADE KIT, 2.0	\$454.18
117-7190	KIT-ADAPTER HEAD	\$161.03
117-7191	KIT-ADAPTER HEAD	\$161.03
117-7192	KIT-ADAPTER HEAD	\$161.03
117-7193	KIT-ADAPTER HEAD	\$161.03
117-7194	KIT-ADAPTER HEAD	\$161.03
117-7195	KIT-ADAPTER HEAD	\$161.03
117-7196	KIT-ADAPTER HEAD	\$161.03
117-7198	KIT-ADAPTER HEAD	\$167.46
117-7199	KIT-ADAPTER HEAD	\$161.03
117-8093	RADIATOR ASM	\$1,457.30
117-8972	FAN CLUTCH ASM	\$381.24
117-8976	SEAL	\$31.98
117-9032	RIM	\$102.03
117-9233	HIGH SPINDLE ASM	\$316.26
117-9234	DOUBLE SPINDLE ASM	\$316.26
117-9432	SPIN ON ELEMENT KIT	\$23.67
117-9471	KIT-SERVICE,GR3250-D STEE	\$52.12

Part Number	Description	Sale Price
117-9493	BOLT-BEDBAR	\$5.50
117-9507	PEDAL-ACCELERATOR	\$9.25
117-9870	WHEEL AND TIRE ASM	\$270.28
117-9875	JOINT-BALL	\$58.57
11-8960	FASTENER ASM	\$0.56
119-0023	TIRE	\$244.95
119-0084	CONTROL-THROTTLE	\$51.83
119-0087	RH LIFT ARM ASM	\$516.78
119-0089	LH LIFT ARM ASM	\$540.05
119-0116-03	MOUNT-BUMPER, RH	\$26.42
119-0117-03	MOUNT-BUMPER, LH	\$26.42
119-0118	PAD-BUMPER	\$2.51
119-0614-01	WEIGHT-END	\$64.61
119-0619	BEDKNIFE-EXTENDED, LC (FA	\$50.92
119-0625	SHAFT ASM	\$264.92
119-0626	SHIM-ROLLER	\$2.20
119-0630	PLASTIC SHOULDER ROLLER A	\$331.56
119-0631	ROLLER-SHOULDER, PLASTIC	\$333.28
119-0640	PLASTIC SHOULDER ROLLER A	\$350.18
119-0641	ROLLER-SHOULDER, PLASTIC	\$247.81
119-0649	TRIM/HD COLLAR KIT	\$15.94
119-0654	ADJUSTER-SEAT, LOCKING	\$27.89
119-0934	BELT-CVT	\$46.05
119-1128	BLADE-11 TOOTH	\$13.28
119-1604	COLLAR-TRIM/HD	\$6.51
119-1652	THROTTLE	\$48.85
119-1735	CABLE-CONTROL, TRACTION	\$117.08
119-1868	WASHER	\$1.59
119-2157	PREMIUM SYNTHETIC BIO HYD	\$478.98
119-2479	TANK-HYDRAULIC	\$366.56
119-2482	DECAL-OPERATING	\$16.51
119-3009	TIRE	\$67.32
119-3010	RIM	\$77.20
119-3516	TIRE-TRACTION	\$63.53
119-3557	HYD HOSE ASM	\$145.90
119-3558	HYD HOSE ASM	\$150.44
119-3871	RADIATOR	\$1,791.72
119-4035	SCREW-HSH	\$1.55
119-4039	NUT-HEX, NI	\$0.60
119-4040	NUT-FLANGE, NI	\$0.58
119-4050	BEDBAR BOLT REPLACEMENT A	\$12.30
119-4067	SCREW-HH	\$1.22
119-4090	SHAFT-ROLLER	\$53.00
119-4092	ROLLER TUBE ASM	\$113.01
119-4093	REAR FULL ROLLER ASM	\$154.00
119-4095	GRASS SHIELD ASM	\$32.76
119-4097	ROLLER TUBE ASM, 18"	\$143.49
119-4098	FULL ROLLER ASM	\$268.86
119-4129	MUFFLER	\$132.93
119-4150	WASHER-FLAT	\$0.60
119-4151	SCREW-BEDKNIFE	\$0.31
119-4153	RUBBER BUSHING ASM	\$4.17
119-4154	NUT-LOCK, NI	\$1.00
119-4155	WASHER-HARDENED	\$7.89
119-4156	SPRING-COMPRESSION	\$0.60
119-4157	RETAINER-SHAFT	\$3.94
119-4158	WASHER-HOC	\$3.44
119-4164	WASHER-WAVE	\$2.16
119-4165	SHIM-HEIGHT, ROLLER	\$2.46
119-4166	SPACER-HEIGHT, ROLLER	\$3.79

Part Number	Description	Sale Price
119-4276	ROLLER-TIPPER	\$53.62
119-4280	BEDKNIFE-EDGEMAX EXTENDED	\$94.45
119-4286	REAR ROLLER ASM (SHORT)	\$382.47
119-4288	REAR ROLLER ASM (SHORT)	\$436.42
119-4289	SHAFT-REAR ROLLER 32IN (S	\$169.93
119-4486	BELT-V, FAN	\$14.49
119-4546	SPINDLE HOUSING ASM	\$214.90
119-4547	DRIVING SPINDLE ASM	\$645.55
119-4548	DOUBLE DRIVEN SPINDLE ASM	\$473.65
119-4549	HIGH-DRIVEN SPINDLE ASM	\$452.22
119-4775	SPINDLE HOUSING ASM	\$214.90
119-4776	LOW-DRIVEN SPINDLE ASM	\$363.68
119-4777	SPINDLE ASM	\$135.72
119-4778	SPINDLE ASM	\$365.31
119-5298	DOUBLE-DRIVEN SPINDLE ASM	\$868.83
119-5852	FILTER-OIL	\$12.29
119-6021	TIRE	\$99.40
119-6225	TIRE	\$148.36
119-6343	TIRE	\$78.90
119-6955	MVP KIT-HYD HOSE	\$1,223.58
119-6956	RADIATOR ASM	\$1,238.16
119-6957	SERVICE PACK - COMBO BLAD	\$90.39
119-6964	LH HOSE GUIDE ASM	\$32.23
119-6965	RH HOSE-GUIDE ASM	\$32.23
119-6968	DIPSTICK-OIL	\$20.20
119-6972	VARIABLE HYDRAULIC PUMP A	\$2,138.39
119-6987	HYD CYLINDER ASM	\$333.59
119-6988	HYD CYLINDER ASM	\$346.59
119-6989	HYD CYLINDER ASM	\$360.05
119-6990	HYD CYLINDER ASM	\$367.87
119-6991	HYD CYLINDER ASM	\$367.87
119-8010-03	KICKSTAND	\$19.00
119-8020	ATOMIC BLADE KIT - 3 BLA	\$63.53
119-8021	HIGH FLOW BLADE KIT - 3 B	\$65.01
119-8145	HOSE-HYD (PRESSURE NO. 3)	\$154.37
119-8146	HOSE-HYD (RETURN NO. 3)	\$163.75
119-8147	HOSE-HYD (CASE NO. 3)	\$110.80
119-8157	HOSE-HYD (PRESSURE NO. 2)	\$177.41
119-8158	HOSE-HYD (RETURN NO. 2)	\$169.19
119-8160	HOSE-HYD (PRESSURE NO. 1)	\$148.86
119-8161	HOSE-HYD (RETURN NO. 1)	\$151.65
119-8162	HOSE-HYD (CASE NO. 1)	\$111.50
119-8313	TIRE	\$133.23
119-8558	BEARING-NOSEAL	\$8.99
119-8952	WASHER	\$0.70
119-9040	TANK-HYDRAULIC	\$712.05
119-9044-03	BLADE-EDGER, OSCILLATORY	\$55.16
120-0404	BRACKET-HIGH HOC (LH)	\$46.46
120-0405	BRACKET-HIGH HOC (RH)	\$46.46
120-0698	STRAINER-TIP, 100 MESH	\$2.61
120-0699	STRAINER-TIP, 50 MESH	\$2.61
120-0700	NOZZLE-AI .2GPM, YELLOW	\$14.32
120-0701	NOZZLE-AI .4GPM, RED	\$14.32
120-0702	NOZZLE-AI .5GPM BROWN	\$14.32
120-0703	NOZZLE-AI .6GPM, GRAY	\$14.32
120-0704	NOZZLE-AI .8GPM, WHITE	\$14.32
120-0705	NOZZLE-AI 1.0GPM, BLUE	\$14.32
120-0706	NOZZLE-AI 1.5GPM, GREEN	\$14.32
120-0707	NOZZLE-AI TURBO .2GPM, YE	\$11.38
120-0708	NOZZLE-AI TURBO .4GPM, RE	\$11.38

PARTS LIST

PARTS LIST

Part Number	Description	Sale Price
120-0709	NOZZLE-AI TURBO .5GPM, BR	\$11.73
120-0710	NOZZLE-AI TURBO .6GPM, GR	\$11.38
120-0711	NOZZLE-AI TURBO .8GPM,WHI	\$13.33
120-0712	NOZZLE-AI TURBO 1.0 GPM,B	\$13.33
120-0713	NOZZLE-AI TURBO 1.5 GPM,	\$13.33
120-0714	CAP ASM, SINGLE FAN	\$1.24
120-0716	FILTER ASM	\$124.45
120-0781	ROD-CONNECTING	\$120.38
120-1044	GUARD-TURF, 3-TINE (SHORT	\$48.62
120-1045	GUARD-TURF, 4-TINE (SHORT	\$47.95
120-1046	GUARD-TURF, 4-TINE, LONG	\$73.66
120-1047	GUARD-TURF, 5 TINE, SHORT	\$66.85
120-1050	GUARD-TURF, 6 TINE SHORT	\$54.46
120-1051	GUARD-TURF, 3-TINE, LONG	\$76.41
120-1052	GUARD-TURF, 5 TINE, LONG	\$79.68
120-1053	GUARD-TURF, 6 TINE LONG	\$86.86
120-1057	GUARD-TURF, 3-TINE (RH)	\$98.73
120-1058	GUARD-TURF, 3-TINE (LH)	\$98.73
120-1059	GUARD-TURF, 4-TINE (RH)	\$106.72
120-1060	GUARD-TURF, 4-TINE (LH)	\$106.72
120-1061	GUARD-TURF, 5 TINE (RH)	\$62.73
120-1062	GUARD-TURF, 5 TINE (LH)	\$62.73
120-1063	GUARD-TURF, 6 TINE (RH)	\$117.73
120-1064	GUARD-TURF, 6 TINE (LH)	\$117.73
120-1640	BEDKNIFE-LOW HOC EXTENDED	\$44.06
120-1641	BEDKNIFE-LOW HOC EXT	\$50.92
120-1642	BEDKNIFE-LOW HOC EXT	\$50.92
120-2072	HYD MOTOR ASM	\$301.41
120-2114	TIRE-SMOOTH	\$115.80
120-2235	FILTER-FUEL	\$5.85
120-2682-01	BEDBAR	\$492.97
120-2742	GROOMER BRUSH ASM (GR800)	\$305.60
120-2752	ROD-LIFT, GROOMER	\$5.72
120-2763	BELT-GROOMER	\$13.18
120-2783	TIRE	\$79.98
120-3198	ROLLER-PIVOT	\$5.87
120-3199	PIN-PIVOT	\$11.05
120-3221	LH REEL NUT ASM	\$22.24
120-3222	RH REEL NUT ASM	\$22.24
120-3230	SHAFT ASM	\$226.45
120-3237	O-RING	\$1.07
120-3351	BELT-3V	\$48.11
120-3366	BEARING	\$19.96
120-3391	KIT-SPINDLE	\$376.49
120-3402	ENGINE-BRIGGS & STRATTON,	\$1,938.34
120-3403	ENGINE-BRIGGS, 356447-030	\$1,844.59
120-3404	BLOCK-GUIDE	\$26.37
120-3407	ENGINE-16HP, VANGUARD (SE	\$1,768.36
120-3408	ENGINE-18HP, VANGUARD (SE	\$1,844.59
120-3417	TRACTION PEDAL KIT	\$70.73
120-3457	REAR HITCH ASM	\$347.90
120-3461-01	MOUNT-ENGINE	\$207.17
120-3465-03	FRAME-HITCH	\$213.47
120-3476	MUFFLER-DUAL INLET	\$86.97
120-4132-01	CHAMBER-OUTER	\$162.74
120-4174	WHEEL AND TIRE ASM	\$355.61
12-0460	CAPLUG	\$0.95
120-4621	BEARING	\$42.42
120-4817	DRY LUBE, GRAPHITE-AEROSO	\$22.98
120-5116	WASHER-WAVE	\$6.46

Part Number	Description	Sale Price
120-5118	SHAFT-ADJUSTER	\$28.69
120-5120	SPRING-COMPRESSION	\$1.89
120-5142	ROLLER BRUSH ASM	\$177.24
120-5261	CONTROL-THROTTLE	\$39.66
120-5313-03	MOUNT-ENGINE	\$123.44
120-5341	KIT-SERVICE, ACTUATOR	\$19.06
120-5378	BEARING-BALL	\$9.75
120-5404	SHAFT-ROLLER	\$56.41
120-5405	ROLLER-WIEHLE, EXTENDED	\$222.86
120-5575	PIN	\$32.00
120-5576	WASHER-HARDENED	\$1.85
120-5577	BEARING SPACER SET	\$27.69
120-5772	BELT-V	\$27.73
120-5819	ALTERNATOR	\$604.03
120-5824	BELT-FAN	\$20.74
120-6260	RH BRAKE ASM	\$270.41
120-6272	HYD MOTOR ASM	\$596.90
120-6274	MOUNT-ENGINE	\$17.65
120-6451	TIRE	\$99.99
120-7230	HD DPA MVP KIT	\$58.00
120-7448	ELEMENT-FILTER, AIR	\$24.69
120-7639	TIRE	\$123.89
120-8802	HYD CYLINDER ASM	\$398.13
120-8878	RH LIFT ARM ASM	\$472.89
120-8879	LH LIFT ARM ASM	\$467.21
120-8910	TIRE-OFF ROAD	\$106.84
120-8959	HOSE-HYD	\$151.80
120-8987	HOSE-HYD	\$149.08
120-8988	HOSE-HYD	\$164.87
120-9595	REAR FULL ROLLER ASM (STE	\$199.19
120-9600	HIGH HOC KIT	\$108.90
120-9605	REAR ROLLER ASM, 18"	\$272.72
120-9607	NARROW WIEHLE ROLLER ASM,	\$337.44
120-9609	WIDE WIEHLE ROLLER ASM, 1	\$387.96
120-9611	FULL ROLLER ASM, 18" (2.5	\$403.09
120-9613	ROLLER TUBE ASM	\$192.26
120-9619	BLADE-SCRAPER, WIDE (18 I	\$31.32
120-9620-03	BLADE-SCRAPER, FULL (18 I	\$45.88
120-9622	WIDE WIEHLE ROLLER SCRAPE	\$212.85
120-9623	FULL ROLLER SCRAPER BRUSH	\$90.24
120-9653	NUT-LOCK, NI	\$1.59
120-9664	BEARING-BALL	\$30.07
120-9695	NUT-JAM	\$0.89
120-9705	SHAFT-INPUT, REEL	\$33.59
120-9707	SHAFT-DRIVE, REEL	\$49.58
120-9742	CLIP-RETAINING	\$3.17
120-9941	BOLT-BEDBAR	\$15.63
121-0547	PLUG-SPARK	\$3.20
121-0618	SET-ELEMENT	\$25.07
121-0685	FILTER-FUEL	\$4.92
121-1720-01	BRACKET-FORK	\$21.57
121-1733	OVERHAUL SEAL KIT	\$408.38
121-1736	OVERHAUL SEAL KIT	\$91.50
12-1190	PINION-IDLER	\$31.82
121-2241	BLADE	\$20.46
121-2474-03	PANEL-COOLER	\$20.30
121-2520	BRAKE LEVER BRACKET ASM	\$26.07
121-2598-01	SCRAPER	\$59.53
121-2637	DPA REBUILD KIT	\$55.52
121-2646	ROLLER-WIEHLE, PASPALUM	\$249.57

Part Number	Description	Sale Price
121-2756	BATTERY-DOOR	\$52.63
121-2976	ROD-BRAKE, WIDE (RH)	\$5.88
121-2977	ROD-BRAKE, WIDE (LH)	\$5.99
121-3166	BEDKNIFE-STD	\$43.50
121-3167	BEDKNIFE-LOW CUT	\$44.57
121-3182-03	WIEHLE ROLLER SCRAPER 18"	\$53.66
121-3199	BRUSH-ROLLER (HIGH HOC)	\$58.14
121-3548	RIM	\$135.72
121-3575	SPACER-HOC	\$6.45
121-3603	MATCHED SPACER SET	\$4.89
121-3625	FILTER-PUMP, FUEL	\$55.16
121-3627	DECAL-HEIGHT OF CUT	\$5.50
121-3653	CYLINDER-HYD	\$405.06
121-3657	KIT-SERVICE, RADIATOR GP	\$1,315.78
121-3874	WRENCH ASM	\$25.48
121-3882	SHAFT-PIVOT, LIFT ARM	\$153.74
121-3891	FILTER-AIR, CAB INTERIOR	\$17.66
121-3892	FILTER-AIR, CAB EXTERIOR	\$22.98
121-4570	FILTER-FUEL	\$7.20
121-4600	NUT-HEX	\$0.69
121-4605	WASHER-SPRING	\$2.59
121-4613	ARM-HOC, LH	\$60.08
121-4617	ROD-LIFT	\$5.29
121-4618	ARM-HOC, RH	\$60.08
121-4635	WIEHLE ROLLER ASM, EXT	\$374.95
121-4641	ROLLER-FULL, EXT	\$221.82
121-4680	FULL ROLLER ASM, EXT	\$448.80
121-4681	NARROW WIEHLE ROLLER ASM,	\$481.62
121-4682	REAR ROLLER ASM, STEEL	\$398.56
121-5252	BELT-V	\$63.12
121-5253	BELT-V	\$75.44
121-5254	BELT-V	\$42.35
121-5347-03	BLADE-25.18 INCH, ANGLED	\$21.75
121-5397	SEAL KIT	\$164.51
121-5631	HUB ASM	\$89.04
121-6288	STARTER ASM F/W	\$411.72
121-6357	REEL	\$39.48
121-6392	PREMIUM ENGINE OIL 10W30	\$634.98
121-6393	PREMIUM ENGINE OIL 10W30	\$64.98
121-6394	PREMIUM ENGINE OIL 15W40	\$641.98
121-6395	PREMIUM ENGINE OIL 15W40	\$64.98
121-6662	ENGINE-BRIGGS & STRATTON,	\$2,029.00
121-6674	BLADE-11 TOOTH DETHATCHER	\$7.24
121-6675	DETHATCHER BLADE KIT (SPR	\$244.73
121-6903-03	REAR ROLLER ASM	\$652.11
121-7856	STEERING VALVE ASM	\$595.04
121-7924	TIRE ASM 22-12X12, TREADE	\$308.33
121-9070	VALVE ASM	\$243.67
121-9072	TIRE-TURF TREAD	\$96.33
121-9076	MOUNT-ENGINE	\$24.69
121-9077	ASSEMBLY-WHEEL/TIRE	\$199.54
121-9081-01	COVER-REAR	\$59.04
121-9517	KIT-MVP, GROOMER RE-BUILD	\$102.56
121-9518	KIT-MVP, BLADES-GROOMER,	\$166.75
121-9519	KIT-SERVICE, GEAR PUMP	\$835.67
121-9531	BLADE-GROOMER, THIN CARBI	\$8.13
121-9535	WIEHLE ROLLER ASM, PASPAL	\$443.80
121-9612	BELT	\$60.81
121-9774	ABSORBER-SHOCK	\$68.21
121-9924	BELT-DRIVE	\$41.94

Part Number	Description	Sale Price
122-0371	LIGHT-WORK, LED	\$118.82
12-3270	SCREW	\$1.09
125-0552	ROLLER BRUSH ASM	\$178.09
125-0554	BRUSH-ROLLER	\$76.58
125-0765	BELT-SYNCHRONOUS	\$56.95
125-1906	PIN-CYLINDER	\$26.49
125-1938	LATCH	\$20.16
125-1954	MOUNT-FRONT	\$35.29
125-1967	BRACKET-BRAKE, PARK	\$14.99
125-1984	SPACER	\$1.16
125-2751	BELT-BRUSH	\$16.96
125-2772	LH THREADED INSERT ASM	\$45.23
125-2773	RH THREADED INSERT ASM	\$45.23
125-2779-01	WEIGHT-END, 5 INCH	\$82.55
125-2796	BRACKET-FRONT HOC	\$31.44
125-2902	FILTER-FUEL	\$17.45
125-2909	TREAD-FLOORBOARD	\$20.61
125-2914	FILTER-SEPARATOR	\$71.32
125-2915	FILTER-FUEL/WATER SEPARAT	\$29.16
125-3319	TINE-NEEDLE, 5MM X 5.43	\$3.02
125-3333	BEARING-BALL	\$86.83
125-3511	GREASE-SYNTHETIC	\$4.49
125-3520	BEARING-BALL	\$7.67
125-3526-03	SCRAPER-FULL	\$29.33
125-3527-03	SCRAPER-NARROW	\$37.60
125-3528-03	SCRAPER-WIDE	\$28.85
125-3537	EXTENDED REAR ROLLER KIT	\$264.33
125-3540	SHAFT-HEX	\$32.30
125-3541	SHAFT-HEX	\$167.32
125-4300	SEAL KIT	\$89.73
125-4301	SEAL KIT	\$96.08
125-4302	SEAL KIT	\$110.67
125-5142-03	BLADE-PUSH, REAR	\$22.43
125-5178	BUSHING	\$2.63
125-5196	BUSHING	\$3.95
125-5222	BUSHING-ECCENTRIC, MACHIN	\$69.31
125-5244	MOUNT-ENGINE	\$19.61
125-5279	BEARING-ROLLER	\$184.50
125-5609	PLUG-PLASTIC	\$1.50
125-5610	PAPER-REEL, TORO (10 PACK	\$3.47
125-5611	SHIM-REEL, TORO (0.002 IN	\$5.77
125-5623	PAPER-TORO REEL BOOKLET	\$0.39
125-6044	BELT-V,	\$97.98
125-6045	BELT-V, IMPELLER	\$93.92
125-6406	TIRE	\$54.30
125-6465	TIRE	\$128.10
125-7003	STARTER	\$509.98
125-7025	FILTER-ENGINE	\$9.08
125-7249	BEARING, BALL	\$53.31
125-7251	BEARING-BALL	\$66.64
125-7252	BEARING-BALL	\$21.98
125-7253	BEARING-BALL	\$21.98
125-8752	FILTER-FUEL/OIL	\$61.89
125-9139	SPARK PLUG	\$3.11
125-9176	SEAL KIT	\$41.44
125-9249	SPACER-COUPLER, RUBBER	\$1.83
125-9444-03	BLADE-COMBINATION, 25.18	\$24.98
126-1963	BUSHING-PIVOT	\$4.95
126-2928	KIT, ANTI-SCALP ROLLER AX	\$15.15
126-8033	TIRE	\$152.70

PARTS LIST

PARTS LIST

Part Number	Description	Sale Price
127-0259	BELT-BRUSH (22"FWY)	\$16.61
127-0381	INNER FILTER KIT	\$69.28
127-2070	REEL-5 IN FWY, (22) 5 BLD	\$347.29
127-2093	REEL-FAIRWAY, 27 INCH 5 B	\$446.05
127-2104	REEL-FAIRWAY, 32IN 5 BLAD	\$505.74
127-2156	REEL-FLEX (18), 11 BLD	\$363.57
127-2157	REEL-FLEX (18), 14 BLD	\$428.69
127-2160	11 BLADE REEL ASM	\$300.63
127-2161	14 BLADE REEL ASM	\$362.48
127-2164	18 INCH 11 BLADE LOW DRAG	\$363.57
127-2165	18 INCH 14 BLADE LOW DRAG	\$428.69
127-2174	REEL-FLEX (21), 8 BLD	\$265.90
127-2175	REEL-FLEX (21), 8 BLD	\$265.90
127-2176	REEL-FLEX (21), 11 BLD	\$301.70
127-2177	REEL-FLEX (21), 14 BLD	\$395.04
127-2181	REEL-GR (21), 8 BLD	\$273.49
127-2183	REEL-GR (21), 14 BLD	\$395.04
127-2188	REEL-SPA 4BOLT, 8 BLD	\$282.17
127-2189	REEL-SPA 4BOLT, 11 BLD	\$298.99
127-2193	REEL-DPA (21), 8 BLD	\$313.65
127-2194	REEL-DPA (21), 11 BLD	\$324.48
127-2195	REEL-DPA (21), 14 BLD	\$403.73
127-2206	8-BLADE REEL ASM	\$286.51
127-2207	11-BLADE REEL ASM	\$302.80
127-2612	GUARD-PIPE, TAIL	\$8.68
127-2665-03	FRAME-SUPPORT, RADIATOR	\$339.04
127-2741	SHIELD-WHEEL, FRONT	\$6.06
127-2742	SHIELD-WHEEL, REAR	\$5.98
127-2796	TIRE	\$86.08
127-2958	BEARING-BALL	\$17.31
127-2983	BEARING-BALL	\$16.88
127-2998	V-BELT	\$17.22
127-3075	FUEL/OIL FILTER ASM	\$160.97
127-3694	HYD MOTOR ASM	\$682.63
127-3721	RH CASTOR ARM ASM KIT	\$234.70
127-3731	LH CASTOR ARM ASM KIT	\$234.70
127-3741	CASTOR ARM ASM KIT	\$162.50
127-3818	STARTER ASM	\$489.98
127-4284	WASHER-SPECIAL	\$3.33
127-5839	LONG STEERING ROLLER COMP	\$607.68
127-5897	BEARING, BALL 25MM	\$19.98
127-6124	BLADE-GROOMER, HELIX (.01	\$1.09
127-6389	DECK CHAMBER SERVICE ASM	\$858.96
127-6422	SCREW-GREASE, ROLLER	\$3.79
127-6427	LIFT CYLINDER ASM	\$340.74
127-6428	LIFT CYLINDER ASM	\$385.94
127-6429	LIFT CYLINDER ASM	\$469.31
127-7435	TIRE	\$99.40
127-8001	SHORT STEERING ROLLER COM	\$587.08
127-9656	ENGINE-KUBOTA, D902	\$4,695.10
12-8140	KEY SWITCH	\$16.52
12-9390	TIRE (16X4-12) 4 PLY SEMI	\$56.98
12-9460	DISC HALF	\$38.03
130-0071	REEL-8IN FWY, (30) 7 BLD	\$324.51
130-0075	REEL-8IN FWY, (30) 5 BLD	\$309.30
130-0081	REEL-7IN FWY, (30) 11 BLD	\$313.65
130-0088	REEL-5IN FWY, (21) 5 BLD	\$234.42
130-0093	REEL-5IN FWY, (21) 8 BLD	\$308.22
130-0105	KIT-BEARING AND SEAL REBU	\$101.70
130-1241	V BELT	\$17.89

Part Number	Description	Sale Price
130-1673	CABLE-THROTTLE	\$68.66
130-1899	AIR FILTER ASM	\$83.65
130-2660	MVP KIT-BLADE PACK, STD (\$133.73
130-4105	BLADE-GROOMER	\$2.98
130-4119	REEL-7IN FWY, (27) 5 BLD	\$298.46
130-4123	REEL-7IN FWY, (27) 8 BLD	\$390.70
130-4127	REEL-7IN FWY, (27) 11 BLD	\$401.55
130-4132	REEL-7IN FWY, (32) 5 BLD	\$296.11
130-4136	REEL-7IN FWY, (32) 8 BLD	\$412.40
130-4139	REEL-8IN FWY, (30) 7 BLD	\$324.51
130-4141	REEL-8IN FWY, (30) 11 BLD	\$354.89
130-6469	REEL-SPA 4BOLT, 8 BLD	\$244.19
130-6470	REEL-SPA 4BOLT, 11 BLD	\$265.90
130-6472	ENGINE-BRIGGS AND STRATTO	\$1,712.21
130-7096	FILTER ASM	\$71.45
130-7832	ARM ASM	\$61.00
130-7873	GUIDE-HOSE	\$9.39
130-7879-01	FRAME-ADAPTER	\$223.69
130-7943	VALVE-STEERING,CONTROL	\$681.14
130-7944	VALVE-CONTROL, STEERING	\$493.05
130-8357	SEAL KIT	\$21.85
130-8380	SPARK PLUG	\$3.04
130-8860	FILTER-OIL, ENGINE	\$22.42
130-9151-03	BLADE-20 IN	\$24.98
130-9410	COUPLING-FLEX, 2 BEAM	\$111.42
131-0504	SHAFT-VERTICUTTER, 5 INCH	\$215.84
131-0768	DRIVING SPINDLE ASM	\$655.25
131-2013	REEL-DPA (21), 5 BLD HD	\$298.46
131-2786	HYD CYLINDER ASM	\$315.06
131-2787	HYD CYLINDER ASM	\$308.90
131-3185	CABLE-THROTTLE	\$19.69
131-3202	REEL-FAIRWAY, 18 INCH 11	\$401.55
131-3203	22 INCH 8 BLADE FAIRWAY R	\$389.62
131-3204	REEL-FAIRWAY, 22 INCH (11	\$431.94
131-3364	STD BLADE KIT	\$104.78
131-3751	KIT - MVP, MULTI PRO	\$1,004.23
131-3828	EAR MUFF - HEARING PROTEC	\$27.99
131-4201	PIN-PIVOT	\$24.98
131-4293	PIN PIVOT	\$47.92
131-4305	PIN	\$27.44
131-4399	LEVER, PUMP	\$39.76
131-4876	HEAD BEARING KIT	\$498.11
131-4888	INSERT-SLEEVE, 3/4 INCH	\$7.96
131-4889	INSERT-SLEEVE, 7/8 INCH	\$7.88
131-5528	BEARING-ROLLER	\$6.44
131-6262	MVP KIT-INITIAL 800 HOUR,	\$185.88
131-6557	ALTERNATOR ASM	\$289.98
131-6561	STARTER ASM	\$549.98
131-6572	TORO PREMIUM FUEL TREATME	\$7.99
131-6581	PAINT-AEROSOL,TORO RED-IN	\$11.99
131-6667	TIRE	\$124.00
131-6670	TIRE	\$117.85
131-6673	TIRE-REAR	\$145.53
131-6690	SEAT COVER, SMALL	\$38.95
131-6691	SEAT COVER, LARGE	\$42.90
131-6805	ES REEL-7IN FWY (22), 8 B	\$426.19
131-6828	INDICATOR-ANGLE	\$45.20
131-6829	MOUNT-INDICATOR, ANGLE	\$24.31
131-7800	ROLLER ASM (UHMW)	\$78.72
131-8276	MVP KIT 400 FILTER KIT WO	\$122.89

Part Number	Description	Sale Price
131-8318	TIRE	\$75.83
131-8319	TIRE/WHEEL ASM	\$238.36
131-8444	STARTER/GENERATOR ASM	\$295.59
131-8785	MVP KIT-800 HOUR, GR3150	\$169.82
131-8795	KIT-CLUTCH SHAFT SERVICE	\$97.54
132-1319	BLADE-ROTARY, 19.00 HIGH	\$21.75
132-1325	BLADE SERVICE PACK	\$67.87
132-1390-03	BLADE-ATOMIC 20.00 IN	\$28.25
132-1391	BLADE SERVICE PACK, ATOMI	\$295.21
132-1392	BLADE SERVICE PACK, 20.00	\$261.04
132-1440	BLADE-BELT KIT	\$491.88
132-3777	STEERING CYLINDER ASM	\$395.11
132-3778	CYLINDER-STEERING	\$453.30
132-3831	LOCK ASM	\$45.39
132-3841	SHAFT-DRUM EXTENSION, RH	\$69.58
132-3842	SHAFT-DRUM EXTENSION, LH	\$69.58
132-4350	PUMP-PISTON, VARIABLE	\$2,108.93
132-4351	PUMP-PISTON, VARIABLE	\$2,092.22
132-4389	HANGER	\$84.79
132-4393	PLATE-TROWEL, RH	\$59.77
132-4394	PLATE-TROWEL, LH	\$59.77
132-4395	PLATE-TROWEL, CENTER	\$59.77
132-4427-03	BLADE-WEEDER	\$55.51
132-4626	BLADE-GROOMER	\$2.46
132-5206	ENGINE-KUBOTA, V1505	\$4,370.48
132-5209	ENGINE-KUBOTA, V1505T	\$7,436.38
13-2650	BELT-V	\$137.25
132-6959	BALLJOINT	\$36.29
132-6979	BEARING-ROLLER W/COLLAR	\$22.06
132-6994	HOUSING-BELL	\$178.48
132-7312	ES 8 BLADE REEL ASM	\$287.17
132-7313	ES 11 BLADE REEL ASM	\$304.26
132-7314	ES 14 BLADE REEL ASM	\$414.80
132-7353	ES 11 BLD REEL ASM	\$291.94
132-7354	ES 14 BLD REEL ASM	\$335.36
132-7357	ES 11 BLD REEL-ASM	\$381.74
132-7361	ES 8 BLADE REEL ASM	\$300.83
132-7362	ES 11BLADE REEL ASM	\$317.93
13-2840	KEY-SQUARE	\$1.04
132-8621	BATTERY - CORROSIVE	\$198.98
132-9421	PULLEY-IDLER, FLAT	\$27.15
132-9598	MAT-ROLLER	\$30.28
133-0140	REEL- 8IN FWY, (30) 5 BLD	\$309.30
133-0150	UNIVERSAL GROOMER ASM RM	\$1,432.11
133-0151	UNIVERSAL GROOMER ASM RM	\$1,570.30
133-0152	RM3550 18" RRB (FOR UNIVS	\$707.68
133-0153	RM5010/RM3555 5" 22" RRB(\$597.34
133-0154	RM5010/RM3575 7IN 22IN RR	\$606.27
133-0155	RM3550 18" RRB (ONLY) MVP	\$818.03
133-0157	RM5010/3555 5" X 22" RRB	\$724.41
133-0158	RM5010/3575 7IN X 22IN RR	\$738.89
133-0195	ES REEL-FWY, (32) 8 BLD (\$531.02
133-0577	SEAT ASM	\$194.46
13-3090	SPRING-FINGER	\$4.17
133-2331	KIT, HYDRAULIC TANK	\$878.18
133-2332	KIT, DIESEL FUEL TANK	\$240.33
133-2337	ROLLER ASM	\$168.00
133-2378	BEARING	\$16.42
133-2724	TIRE	\$183.45
133-2900	SEAL KIT	\$98.83

Part Number	Description	Sale Price
133-2929	CONTROL-THROTTLE	\$37.20
133-2934	HYDRAULIC MOTOR ASM	\$911.64
133-2935	HYDRAULIC MOTOR ASM	\$911.64
133-2940	TIRE	\$183.45
133-2950	KIT-WHEEL MOTOR	\$1,409.79
133-4525-01	BEDBAR	\$162.16
13-3629	OVER HAUL KIT	\$129.44
13-3649	O/H KIT RM216 5/8/11 CU	\$60.38
13-3659	O/H KIT GR3000 5/8/11CU	\$48.42
13-3679	OVERHAUL KIT-450D C/U	\$132.52
13-3710	WASHER	\$1.28
133-7570	NUT-FLANGE, NI	\$0.52
133-8086	PX HYD FLUID (5 GAL)	\$109.98
133-8087	PX HYD FLUID (55 GAL)	\$1,100.00
133-8205	ES REEL-7IN FWY (22) 5BLD	\$380.61
133-8269	ES REEL-FWY,(27) 8 (RR) B	\$512.79
133-8271	ES REEL-FWY, (27) 11 (RR)	\$557.24
133-8273	ES REEL-FWY, (32) 8 (RR)	\$531.02
133-8278	ES REEL-FWY, (27) 11 BLD	\$499.22
133-8895-03	SCRAPER-ROLLER, NARROW (1	\$33.64
133-8898	MVP KIT-SEAL, CLUTCH	\$25.02
13-4960	SHAFT-PLATE, FINGER	\$83.59
136-1010	SEAL OVERHAUL KIT	\$125.97
136-1100	SPARK PLUG	\$3.20
136-2881	KIT-BALLAST (27IN. C/U)	\$55.16
136-2908	ROLLER ASM	\$129.98
136-2915	KIT-BALLAST(22IN C/U)	\$67.53
136-2921	HOC PLATE ASM	\$4.40
136-4370-03	BLADE-ROTARY, MEDIUM SAIL	\$21.21
136-4390	WHEEL AND TIRE ASM	\$365.66
136-4440	TIRE-HIGH TRACTION	\$106.84
136-4442	TIRE-HIGH TRACTION	\$142.45
136-5375	TIRE (23X10.50-12)	\$111.08
136-6280	MVP KIT 400 WORKMAN GTX	\$68.08
136-6296	BELT-VARIABLE	\$62.27
136-7287	SHAFT-HEX, RH	\$61.28
136-7963	TIRE ASM	\$325.50
136-7964	WHEEL	\$137.99
136-8005	LIFT ARM #5	\$233.74
136-8446	KIT, CENTER PULL FRAME	\$128.90
136-8452	HOSE-HYD (CASE NO.2)	\$117.61
136-8483	FRAME-PULL, RH	\$135.25
136-8484	FRAME-PULL, LH	\$135.25
136-8485	FRAME-PULL, CENTER	\$135.25
136-8489	PULLEY-DRIVEN, SPLINED	\$42.48
136-8519	KIT-TRIFLEX HYDRAULIC HOS	\$987.81
136-8577	PULL FRAME ASM	\$213.46
137-0830	BEDKNIFE-EDGEMAX LOWCUT 1	\$100.78
137-0831	BEDKNIFE-EDGEMAX	\$97.63
137-0832	BEDKNIFE-EDGEMAX LOWCUT	\$94.45
137-0833	BEDKNIFE-EDGEMAX (FAIRWAY	\$103.82
137-0879	BEDKNIFE-EDGEMAX	\$80.65
137-1311	SEAT COVER - MESH SMALL	\$46.34
137-1312	SEAT COVER - MESH LARGE G	\$48.54
137-3387	DECAL-DASH	\$35.85
137-3388	CONTROL PANEL ASM	\$68.47
137-3644	BELT-V	\$35.38
137-3645	BELT-V	\$18.86
137-3659-03	BLADE-LIFT, MEDIUM	\$22.21
137-3671-03	BLADE-19.00 IN, HIGH LIFT	\$24.30

PARTS LIST

PARTS LIST

Part Number	Description	Sale Price
137-3676-03	ROLLER ASM	\$768.27
137-5215	JUMP DRIVE - SERVICE AND	\$53.04
137-5500	BLADE PACK, CE MED SAIL (\$141.05
137-5512	DYNAMO	\$339.94
137-6109	FULL FRONT ROLLER ASM (2.	\$232.12
137-6611	SEAL KIT	\$114.74
137-6612	SEAL KIT	\$111.16
137-6613	SEAL KIT	\$116.26
13-7749	HOUSING AND BEARING ASM	\$222.83
13-7759	HOUSING AND BEARING ASM	\$207.24
13-7769	LH HOUSING AND BEARING AS	\$207.24
137-8402	ES REEL+,5IN FWY(18) 8 BL	\$458.44
137-8406	ES REEL+,5IN FWY(18)8 BLD	\$479.06
137-8407	ES REEL+,5IN FWY(18)11 BL	\$470.47
137-8416	REEL+,5IN FWY(22)8 BLD	\$428.69
137-8417	REEL+,5IN FWY(22)11 BLD	\$470.82
137-8422	ES REEL+,5IN FWY(22)8 BLD	\$447.96
137-8423	ES REEL+,5IN FWY(22)11 BL	\$492.61
137-8426	ES REEL+,5IN FWY(22)8 BLD	\$457.94
137-8427	ES REEL+,5IN FWY(22)11 BL	\$502.54
137-8432	REEL+,7IN FWY(22)8 BLD	\$444.96
137-8433	REEL+,7IN FWY(22)11 BLD	\$486.20
137-8437	ES REEL+,7IN FWY(22)5 BLD	\$417.44
137-8438	ES REEL+,7IN FWY(22)8 BLD	\$465.26
137-8439	ES REEL+,7IN FWY(22)11 BL	\$508.56
137-8446	ES REEL+,7IN FWY(22)8 BLD	\$475.02
137-8447	ES REEL+,7IN FWY(22)11 BL	\$518.32
137-8451	REEL+,7IN FWY(22)5 BLD(SP	\$348.38
137-8452	REEL+,7IN FWY(22)7 BLD(SP	\$384.75
137-8453	REEL+,7IN FWY(22)11 BLD(S	\$468.84
137-8460	REEL+,FWY(27)8 BLD	\$525.20
137-8461	REEL+,FWY(27)11 BLD	\$567.53
137-8469	ES REEL+,FWY(27)5 BLD LD(\$514.38
137-8470	ES REEL+,FWY(27)8 BLD LD(\$456.27
137-8477	REEL+,FWY(32)8 BLD	\$544.61
137-8482	ES REEL+,FWY(32)5 BLD LD(\$579.87
137-8505	REEL, DPA (21), 8 BLD HD	\$329.93
137-8511	ES REEL+,LOW DRAG (21), 8	\$333.18
137-8512	REEL+ ASM	\$362.38
137-8513	ES REEL+, LD (21), 14 BLD	\$460.38
137-8517	REEL+, LOW DRAG (21), 8 B	\$374.94
137-8523	ES REEL+,LOW DRAG (18), 1	\$485.13
137-8598	BLADE-GROOMER	\$2.98
137-8599	BLADE-GROOMER	\$2.98
137-9706	DECAL-WARNING	\$1.10
138-1227	DECK CHAMBER ASM	\$929.72
138-1248	PIVOT YOKE ASM	\$244.24
138-1520-01	BEDBAR	\$209.08
138-1522-01	BEDBAR	\$168.28
138-1547	ROLLER-WIEHLE	\$254.98
138-1557	ROLLER-WIEHLE	\$244.78
138-1618	ROLLER-FULL	\$224.38
138-1619	ROLLER-FULL	\$163.59
138-1620	ROLLER-FULL	\$193.78
138-1621	ROLLER-WIDE WIEHLE	\$206.02
138-1622	ROLLER-WIDE WIEHLE	\$229.48
138-4975	HOSE ASM-HYD HP	\$98.72
138-5270	BEARING-FLANGE, 2 BOLT	\$36.00
138-6303	ARM-PULL-ASSEMBLY-RH	\$19.36
138-6311	ARM-PULL-ASSEMBLY-LH	\$19.36

Part Number	Description	Sale Price
138-6335	RETAINER-BATTERY	\$5.64
138-6903	ENGINE-KUBOTA, D902	\$4,695.10
138-6931	SPINDLE SHAFT ASM	\$128.15
138-6932	SPINDLE ASM	\$322.40
138-6941	HYD CYL ASM	\$247.47
138-6994	CYLINDER-HYDRAULIC	\$496.20
138-8579	BIMINI SHADE KIT	\$289.98
138-9028	MVP KIT-BLADES, HGH (GM12	\$207.77
138-9029	MVP KIT-BLADES, STD (GM12	\$189.90
138-9699	GROOMER SHAFT ASM	\$226.45
138-9705	RADIATOR	\$1,172.98
138-9706	RADIATOR	\$512.66
139-0956	HYD CYLINDER ASM	\$613.02
139-0959	CYLINDER ASSEMBLY	\$540.12
139-0972	RADIATOR	\$1,070.98
139-0994	SEAL REPAIR KIT	\$59.14
139-2650	CYLINDER, HYD	\$274.58
139-2651	CYLINDER, HYD	\$289.27
139-2699	KIT, CARBIDE GROOMING REE	\$171.11
139-4318	BEDKNIFE-EDGEMAX, MICROCU	\$77.44
139-4319	BEDKNIFE-EDGEMAX, TOURNAM	\$77.44
139-4320	BEDKNIFE-EDGEMAX, MICROCU	\$77.44
139-4321	BEDKNIFE-EDGEMAX, TOURNAM	\$77.44
139-4322	BEDKNIFE-EDGEMAX, MICROCU	\$103.99
139-4323	BEDKNIFE-EDGEMAX, TOURNAM	\$103.99
139-4324	BEDKNIFE-EDGEMAX, 26" MIC	\$103.99
139-4346	ROLLER TUBE ASM, 26" FULL	\$356.98
139-5950	BRAKE SHOE KIT	\$38.90
139-5951	RH BRAKE ASM	\$270.41
139-5952	LH BRAKE ASM	\$270.41
139-6472	PULL LINK ASM	\$42.48
139-7411	INTERLACED ROLLER SCRAPER	\$59.14
139-7412	INTERLACED ROLLER SCRAPER	\$157.06
139-7799-03	BLADE-ATOMIC, 19.00 IN	\$21.73
140-0000	BUSHING-WIRE, SCRAPER	\$8.14
140-0002	SCRAPER-WIRE	\$25.48
140-0028	MVP KIT-BLADES, ATOMIC (G	\$185.79
140-0029	TEMPLATE-SCRAPER	\$13.24
140-0034	ROLLER SCRAPER KIT	\$173.45
14-0829	REEL FRAME ASM	\$254.68
14-4459	HOUSING-BEDBAR	\$21.43
14-4479	REAR HOC BRACKET AND BUSH	\$35.17
14-4489	FRONT HOC BRACKET ASM	\$35.34
1-513374	METER-HOUR	\$54.46
1-523420	BUMPER	\$8.72
1-603299	ROLLER-SCALP, ANTI	\$10.33
1-603903	SPACER	\$2.51
16-1019	CHANNEL	\$105.32
16-9759	LINK ASM	\$43.20
16-9769	BEDBAR ADJUSTER HOUSING A	\$27.57
17-1580	SPACER (0.5 INCH)	\$2.66
17-1590	BLADE-11 TOOTH	\$3.64
17-1600	SPACER (0.25 INCH)	\$2.28
17-1620	BUSHING-WHEEL	\$4.46
17-1630	WHEEL	\$10.30
17-1640	LH SCRAPER WHL	\$3.27
17-1650	RH SCRAPER WHEEL	\$3.27
17-2490	SPROCKET	\$21.49
17-2520	STUD-TYPE, DRIVE	\$5.41
17-8149	WHEEL HUB ASM	\$73.99

Part Number	Description	Sale Price
17-9420	SCREW-HANDLE	\$2.90
17-9426	SCREW-HANDLE	\$2.90
1-806003	PIN-COTTER	\$0.65
18-6320	WASHER-STEERING	\$2.81
18-6340	STEERING SHAFT-LOWER	\$8.73
18-6370	CHAIN	\$21.14
18-6380	PIN-ADJUSTMENT, STEERING	\$7.52
18-7160	PIN-CYLINDER	\$23.72
18-7310	PIN-CYLINDER	\$14.76
18-7530	BALL JOINT ASSY CENTE	\$22.01
18-7660-01	SWIVEL BRKT ASM	\$39.57
19-1470	SCREW-SHOULDER	\$4.51
19-1471	SCREW-SHOULDER	\$4.30
19-2090	CHOKE CONTROL	\$22.17
19-9540	LH SPRING	\$7.65
19-9550	RH SPRING	\$7.65
19-9560	SPRING SPACER	\$2.88
19-9820	BED BAR PIVOT	\$12.57
20-0480	PIVOT ROD	\$6.68
20-4290	MAT-DRAG	\$513.22
20-4670	DRAG LINK	\$8.89
20-7380-01	BLADE-SPIKE, PROFILED	\$15.46
20-9500	WASHER	\$4.12
21-0890	V-BELT	\$24.02
21-1030	SPANNER BUSHING	\$5.08
2112-11	CLAMP-MUFFLER	\$4.32
2112-9	CLAMP	\$3.53
21-1880	GRIP-HANDLE	\$7.07
21-3850	ROLLER BRG W/46-8960	\$6.33
21-3860	WHEEL	\$38.28
21-3870	AXLE ASM	\$8.37
215-75	HOLD DOWN SPRING	\$5.02
21-6410	BEARING-ROLLER, FRONT	\$18.10
217-117	WHEEL	\$102.49
217-60	RIM	\$48.08
217-74	BOLT-WHEEL	\$1.92
21-8180	BEARING ASM	\$30.28
21-8450	REAR ROLLER ASM	\$108.74
21-8470	SHAFT-ROLLER	\$27.19
21-8500-01	PULL ARM ASM RH	\$37.34
218-578	FUSE-BLADE, 10 AMP	\$1.24
218-594	FUSE-20 AMP	\$1.35
21-8640	LATCH-LEVER, VALVE	\$21.45
21-9370	SCREW-ADJUSTING	\$10.25
21-9380	NUT-PIVOT	\$15.32
21-9390	SOCKET-SCREW, ADJUSTING	\$7.34
21-9420	SPRING-RETURN, LH	\$6.28
21-9430	SPRING-RETURN, RH	\$6.28
21-9440	SPRING-SCREW, ADJUSTING	\$5.08
21-9450	SHIELD-DUST	\$20.83
21-9460	RETAINER-LEVER, BRAKE	\$1.32
2210-118	GASKET W/ENGINE	\$2.21
2-2149	LH ROLLER BRKT & BSHG	\$34.38
22-8720	SEAL KIT	\$28.70
23-0660	SWITCH-STARTER	\$9.25
231-101	TIRE (23X8.5-12) 4-PLY TU	\$108.98
231-103	TIRE(20X8-10) 4-PLY	\$71.50
231-105	TIRE-RIBBED	\$46.10
231-122	TIRE-4-PLY	\$80.99
231-126	TIRE (13X5-6) 4-PLY RIBBE	\$43.99

Part Number	Description	Sale Price
231-134	TIRE (26X12-12) 4-PLY	\$194.98
231-138	TIRE (23X8.5-12) 6-PLY	\$108.98
231-3	TIRE(16X4.8-8)2-PLY PNEUM	\$33.80
231-95	TIRE(23X10.5X12) 4-PLY WI	\$104.98
232-24	STEM-VALVE	\$2.97
23-2270	BUSHING-RUBBER	\$23.93
232-3	TUBE-INNER	\$15.91
23-2300	FILTER-OIL, TRANSMISSION	\$7.72
232-37	TUBE	\$21.73
23-2410-03	BLADE-HIGH SAIL, 25 INCH,	\$24.98
23-2790-01	BLADE-SCRAPER	\$182.24
233-21	KNOB	\$10.29
233-25	KNOB-CONTROL	\$2.55
233-42	KNOB	\$6.43
233-48	KNOB	\$6.14
233-70	KNOB-STAR, THREE	\$12.74
23-4800	THROTTLE CONTROL	\$33.17
237-101	O-RING	\$1.83
237-146	O-RING	\$1.24
237-148	QUAD SEAL RING	\$3.53
237-156	O-RING	\$0.78
237-158	O-RING	\$3.24
237-161	O-RING	\$3.24
237-177	O-RING	\$1.63
237-21	O-RING	\$0.46
237-22	O-RING	\$0.56
237-30	O-RING	\$0.74
237-38	O-RING	\$1.44
237-42	O-RING	\$0.74
237-54	O-RING	\$0.47
237-58	O-RING	\$0.74
237-65	O-RING	\$0.59
237-68	O-RING	\$2.12
237-77	O RING	\$0.72
237-78	O-RING	\$0.56
237-79	O-RING	\$1.29
237-80	O-RING	\$1.56
237-81	O-RING	\$1.81
237-84	GROMMET	\$0.82
237-95	O-RING	\$7.83
237-97	O-RING	\$1.30
237-99	O-RING	\$1.41
23-9740	FILTER-OIL, HYDRAULIC	\$9.78
240-11	BUSHING-FLANGE	\$2.18
240-12	GROMMET	\$12.50
240-3	GROMMET-RUBBER	\$9.10
240-4	GROMMET-RUBBER	\$6.43
240-5	GROMMET	\$7.48
240-7	GROMMET-RUBBER	\$8.82
240-9	GROMMET	\$2.40
2410-30	CAP-PLASTIC	\$0.62
2410-64	PLUG-BUTTON	\$0.53
241-119	CAP-DUST	\$6.84
2411-33	BALLJOINT-RH (W/GROMMET)	\$8.69
2411-36	BEARING-END, ROD	\$21.01
2411-38	JOINT-BALL	\$12.35
2411-40	END-ROD	\$72.29
2411-41	ROD END-BALL JOINT	\$21.53
2411-42	JOINT-BALL, LH	\$9.97
2411-43	JOINT-BALL	\$9.97

PARTS LIST

PARTS LIST

Part Number	Description	Sale Price
2411-44	END-ROD	\$31.56
2411-46-03	LH TIE ROD ASM	\$72.29
2412-10	CLAMP-R	\$4.09
2412-108	CLAMP-WORM	\$2.06
2412-111	CLAMP	\$3.49
2412-125	CLAMP-HOSE	\$4.95
2412-129	CLAMP-HOSE	\$2.97
2412-130	CLAMP-HOSE	\$2.83
2412-134	CLAMP-R	\$4.35
2412-137	CLAMP-R, DOUBLE	\$4.77
2412-143	CLAMP-HOSE	\$1.40
2412-146	CLAMP-HOSE	\$1.26
2412-3	CLAMP-HOSE	\$2.68
2412-34	CLAMP-HOSE	\$1.24
2412-36	CLAMP-HOSE	\$1.34
2412-37	MUFFLER CLAMP	\$3.27
2412-4	CLAMP-R	\$3.89
2412-41	CLAMP-R	\$4.27
2412-73	CLAMP-R	\$2.26
2412-89	CLAMP-R	\$1.95
2412-92	CLAMP-HOSE	\$3.47
2412-94	CLAMP	\$1.37
2412-98	CLAMP-HOSE	\$0.59
242-50	NUT-LUG	\$1.24
24-8840	RING-RETAINING, WHEEL BEA	\$31.81
24-9180	STRUT AND LEVER ASM	\$40.16
249-40	KEEPER	\$5.93
251-181	.500 RF BALL BEARING	\$6.21
251-206	1.000 RLL BALL BEARING	\$18.15
251-247	HOUSED BRG	\$58.59
251-252	BEARING	\$69.37
251-253	BEARING	\$16.50
251-257	BEARING-BALL	\$8.56
251-259	BEARING-BALL	\$9.65
251-293	BEARING	\$7.32
251-311	BEARING-BALL	\$7.02
251-312	BEARING-BALL	\$11.20
251-318	BEARING-BALL	\$11.56
251-321	BEARING-BALL, FLANGED	\$13.24
251-327	BEARING-BALL	\$14.96
251-328	BEARING-BALL	\$14.03
251-331	BEARING	\$27.38
251-336	BEARING-BALL	\$21.23
251-337	BEARING	\$16.98
251-338	BEARING-BALL	\$22.59
251-342	BEARING-BALL	\$20.20
251-346	BEARING-BALL	\$10.06
251-347	BEARING-BALL	\$6.83
251-352	BEARING	\$19.70
251-6	BEARING-BALL	\$7.13
251-77	COLLAR-LOCK, BEARING	\$4.72
251-8	BEARING-BALL	\$10.61
251-82	BEARING-BALL	\$13.40
252-6	BEARING-NEEDLE	\$4.22
252-66	BEARING-THRUST	\$8.32
253-111	SEAL-OIL	\$4.52
253-117	SEAL-OIL	\$3.76
253-118	SEAL-OIL	\$4.50
253-120	SEAL-OIL	\$4.23
253-122	SEAL-OIL	\$2.93

Part Number	Description	Sale Price
253-129	SEAL	\$11.82
253-133	SEAL-OIL	\$7.10
253-134	SEAL-GREASE	\$4.83
253-137	OIL SEAL	\$4.23
253-138	SEAL-OIL	\$4.11
253-139	SEAL-OIL	\$4.53
253-141	SEAL	\$8.40
253-152	SEAL-OIL	\$2.99
253-154	SEAL-OIL	\$3.60
253-159	SEAL	\$5.02
253-163	SEAL	\$5.79
253-165	SEAL-OIL	\$3.10
253-61	SEAL-OIL	\$3.60
253-70	SEAL-OIL	\$4.28
253-83	SEAL-OIL	\$5.16
253-84	SEAL-OIL	\$3.24
253-96	SEAL-OIL	\$4.50
254-106	CONE-BEARING, TAPERED	\$9.38
254-107	CUP-BEARING, TAPERED	\$3.63
254-62	BEARING-ROLLER, CONE	\$8.64
254-65	BEARING-ROLLER, CONE	\$48.68
254-66	CUP-BEARING, ROLLER	\$10.76
254-67	CUP-BEARING, ROLLER	\$3.63
254-68	CONE-BEARING, ROLLER	\$6.16
254-72	BEARING-CUP, TAPERED	\$3.22
254-78	BEARING-CONE	\$5.20
254-79	BEARING-ROLLER, CUP	\$2.57
254-86	LOCKNUT	\$5.84
254-87	WASHER-LOCK	\$1.66
254-90	BEARING-CUP	\$4.28
254-91	CONE-BEARING	\$7.95
254-92	CONE-BEARING, OUTER	\$8.77
254-94	BEARING-CONE, TAPERED	\$5.99
256-1	BUSHING	\$5.12
256-113	BUSHING-FLANGE	\$4.54
256-115	WASHER-THRUST	\$2.72
256-150	1-1/8IDX1LG FLG BSHG	\$6.20
256-155	BUSHING-FLANGE	\$3.16
256-156	BUSHING-FLANGE	\$5.85
256-172	BUSHING	\$3.94
256-185	BUSHING	\$18.35
256-2	BUSHING	\$2.82
256-219	BUSHING	\$6.43
256-234	1.0ID X 1.0LG BUSHING	\$5.72
256-236	BEARING-MOUNT, FLANGE	\$22.31
256-239	BEARING-PILLOW BLOCK	\$2.12
256-243	BEARING-FLANGE	\$8.51
256-251	BUSHING	\$2.12
256-252	BEARING-FLANGE	\$4.28
256-254	BUSHING	\$4.80
256-257	BUSHING-NYLINER	\$2.00
256-287	BUSHING	\$2.72
256-292	BUSHING-FLANGE, NI	\$1.28
256-304	WASHER-THRUST	\$4.53
256-311	BUSHING-SPLIT	\$12.15
256-317	BUSHING	\$11.10
256-42	BUSHING	\$5.93
256-76	BUSHING	\$3.18
257-11	WASHER-THRUST	\$3.54
257-5	WASHER-THRUST	\$1.56

Part Number	Description	Sale Price
257-6	BEARING-THRUST	\$1.99
26-1530-01	FORK-CASTOR	\$87.28
26-1580	SPACER 1/2 IN	\$1.92
26-1820	CAPSCREW	\$14.16
26-1840	PULLEY-IDLER	\$22.01
26-1990	WASHER-BELLEVILLE	\$8.15
26-3790	NUT-LOCK	\$14.18
26-6740	TEMP RESET RELAY	\$60.84
26-8250-01	PIN-ARM, LIFT	\$41.55
26-8310-01	BAIL-LIFT	\$82.86
27-0870	SPINDLE ASM	\$352.57
27-0920	SHAFT	\$63.87
27-0950	SPACER	\$21.52
27-0960	BEARING ASM	\$41.99
27-0970-03	PULLEY ASM	\$22.21
27-0990-03	BLADE-18 INCH	\$9.72
2710-11	LINK-CHAIN	\$2.01
2710-20	LINK-OFFSET	\$5.02
2710-31	LINK-CONNECTING, NO. 35	\$1.16
27-1040	SPACER	\$3.60
27-1050	CASTOR WHEEL	\$64.40
27-1160	V-BELT	\$37.82
27-1170	THRUST WASHER	\$1.43
27-1180	BEARING RETAINER	\$1.43
27-1190	WHEEL	\$37.52
27-1200	SPANNER BUSHING	\$6.99
27-1210	ROLLER BEARING	\$16.32
27-1970	HUB-PUMP	\$27.60
27-2060	REAR UNIT RETURN HOSE	\$30.04
27-2150	ENGINE MOUNTING PAD	\$29.77
27-2270	ROD-ADJUSTMENT, BRAKE	\$15.60
27-2320	BEARING	\$14.26
27-2360	SWITCH	\$14.79
27-2380	SPACER	\$10.02
27-2650	HOC ADJUSTMENT ASM	\$38.74
27-3070	ENGINE WIRE GRD ASM	\$24.98
27-5170	SEAT	\$161.93
27-5970	SPACER-SET, MATCHED	\$29.80
27-6602	SPACER-COUPLING, RUBBER	\$4.17
27-7180	CAP	\$24.78
27-9080	BEARING-FLANGE	\$2.16
28-0670	SEAL-GREASE	\$6.92
281-3	PLUG-PIPE, SQH	\$1.54
28-1590	THROTTLE CONTROL	\$17.30
28-1600	CHOKE CONTROL	\$17.36
282-2	YOKE	\$14.47
283-1	PIN-CLEVIS	\$1.03
283-10	PIN-CLEVIS	\$6.98
283-14	PIN-CLEVIS	\$3.47
283-55	PIN-CLEVIS	\$5.12
283-57	PIN-CLEVIS	\$0.90
283-61	PIN-YOKE	\$0.78
283-62	PIN-CLEVIS	\$0.72
28-3680	TIRE	\$87.10
283-71	PIN-LYNCH	\$2.21
283-73	PIN-CLEVIS	\$1.20
283-8	PIN-CLEVIS	\$2.33
283-82	PIN-CLEVIS	\$2.97
283-83	PIN-CLEVIS	\$4.80
283-88	PIN-CLEVIS	\$1.98

Part Number	Description	Sale Price
28-4210	SOLENOID	\$24.96
285-17	PLUG-PIPE	\$1.90
28-8720-01	LONG LIFT BAIL ASM	\$87.28
29-4820	ROLLER	\$7.60
29-5530-03	BLADE-STANDARD, 25 INCH,	\$20.11
29-6162	SWITCH-MICRO	\$50.14
29-6163	SWITCH-MICRO	\$48.62
29-8870	WASHER	\$1.08
29-8910	WASHER	\$0.50
29-9100	BRUSH AND HANDLE ASM	\$38.03
30001	MVP KIT-GM228	\$107.62
30002	MVP KIT-GM225	\$74.94
30004	MVP KIT-MD WORKMAN	\$56.64
30005	MVP KIT-MID DUTY WORKMAN	\$30.36
30006	MVP KIT-WORKMAN	\$76.55
30008	MVP KIT-HYDROJECT	\$114.40
30010	MVP KIT-GM3000	\$95.42
30012	MVP KIT-RM4000	\$164.54
30014	MVP KIT-RM6500/6700	\$131.41
30015	MVP KIT-RM52/54/5500	\$99.59
30016	MVP KIT-RM3100	\$113.53
30017	MVP KIT-HD WORKMAN	\$74.05
30018	MVP KIT-GR3250	\$68.45
30021	MVP KIT-GM345	\$79.00
30022	MVP KIT-GM328D	\$98.61
30023	MVP KIT-GM325	\$118.80
30024	MVP KIT-GM580-D	\$220.37
30027	MVP KIT-GM3500	\$120.18
30028	MVP KIT-GM455	\$82.24
30029	MVP KIT-GM4000/4100	\$173.89
30030	MVP KIT-GM223	\$131.29
30034	MVP KIT-GM3280	\$107.51
30035	MVP KIT-SANDPRO	\$132.91
30036	MVP KIT-LINE PAINTER	\$38.70
30037	MVP KIT-GM7200/7210	\$127.02
30038	MVP KIT-RM5500	\$157.51
30039	MVP KIT-RM5210/5410/5510	\$78.18
30040	MVP KIT-RM5610	\$78.18
30041	MVP KIT-GM5900/5910	\$223.57
30042	400 HOUR MAINTENANCE KIT	\$74.26
30043	400 HOUR MAINTENANCE KIT:	\$86.17
30051	MVP FILTER KIT-GM3280D (2	\$69.24
30052	MVP FILTER KIT-GM72000D (\$82.71
30053	MVP FILTER KIT-RM3100D (2	\$87.60
30054	MVP FILTER KIT-RM5XXX (20	\$108.47
30055	MVP FILTER KIT-RM5610D (2	\$108.47
30056	MVP FILTER KIT-GM4000D (2	\$157.72
30057	MVP FILTER KIT-RM6XXXX (2	\$115.24
30058	MVP FILTER KIT-GM35XXD (2	\$104.01
30059	MVP FILTER KIT-GM328D (20	\$108.53
30061	MVP FILTER KIT-RM4000D (2	\$160.59
30062	MVP FILTER KIT-GR3250D (2	\$105.88
30063	MVP FILTER KIT-GM580D (20	\$219.33
30064	MVP FILTER KIT-GR3150	\$67.19
30065	MVP KIT-FILTER/SPARK PLUG	\$21.55
30068	MVP KIT-400 HOUR,HDX-D 12	\$74.27
30073	MVP KIT400 HOUR,WMHDX 12	\$98.90
30086	500 HOUR MAINTENANCE KIT	\$89.48
30089	MVP KIT-GM4XXX, 800 HR YA	\$213.74
30090	400 HOUR MVP FILTER KIT-R	\$100.64

PARTS LIST

PARTS LIST

Part Number	Description	Sale Price
30091	800 HOUR MVP KIT-RM5410G/	\$100.52
30093	800 HOUR MVP KIT-RM5410D/	\$269.64
30097	MVP KIT-FILTER/SPARK PLUG	\$26.86
3-0144	SHAFT	\$34.63
302-11	FITTING-LUBE, 45 DEG	\$0.86
302-14	VENT	\$3.39
302-18	FITTING-GREASE	\$1.32
302-2	FITTING-GREASE	\$1.39
302-33	FITTING-GREASE	\$2.27
302-34	FITTING-LUBE	\$5.58
302-39	FITTING-PLUG	\$6.00
302-40	FITTING-GREASE, 90 DEG	\$2.06
30245	MVP KIT - GM3500 (KUBOTA)	\$100.64
30246	MVP KIT-GM3500-G (KUBOTA)	\$143.01
30247	MVP FILTER KIT - RM5010-H	\$103.13
30248	MVP KIT 400HR WORKMAN HDX	\$150.48
30249	MVP KIT 400HR WORKMAN HDX	\$126.45
302-5	FITTING-GREASE	\$0.71
302-57	FITTING-GREASE	\$1.05
302-60	FITTING-GREASE	\$1.40
30261	400 HOUR MVP KIT, GM360 7	\$140.13
30262	GM3280 MVP KIT (MY16 AND	\$74.10
302-62	FITTING-GREASE	\$0.81
3-0312	GASKET	\$0.81
30408	MVP KIT-GM4XXX, 800 HR YA	\$355.96
304-46	DRAINCOCK	\$4.94
304-61	CLAMP-R	\$5.72
31-0750	ROLLER-FRONT	\$21.01
31196	500 HOUR MVP MAINT KIT, O	\$120.61
3-1506	BUSHING	\$2.72
31609	GM5900 T4FINAL FLUID FILT	\$218.22
3210-2	SCREW-HH	\$0.97
32103-12	NUT-WING	\$0.44
32103-22	NUT-WING	\$0.40
3210-4	SCREW-HH	\$0.63
32104-116	SCREW-HWHTF	\$0.46
32104-17	SCREW-HWH	\$0.79
32104-32	SCREW-HWH	\$1.49
32104-76	SCREW-HWHTF	\$0.52
32104-95	SCREW-HWH	\$0.63
32105-13	SCREW-HWH	\$0.89
32105-2	SCREW-SHWH	\$1.49
32105-21	SCREW-HH	\$1.48
32108-101	SCREW-FH	\$0.26
32108-20	SCREW	\$0.58
32108-9	SCREW-FH	\$1.21
321-10	SCREW-HH	\$0.78
321-11	SCREW-HH	\$0.63
3211-2	SCREW-HH	\$1.00
3211-4	SCREW-HH	\$0.58
3211-40	SCREW-HH	\$0.54
321-15	SCREW-HH	\$0.77
3211-6	SCREW-HH	\$1.00
321-18	SCREW-HH	\$1.05
32120-15	RING-SNAP, EXT	\$0.97
32120-18	E-RING	\$0.71
32120-19	E-RING	\$1.35
32120-22	RING-SNAP, INTERNAL	\$2.40
32120-37	RING-RETAINING	\$1.64
32120-47	RING-RETAINING, EXTERNAL	\$1.29

Part Number	Description	Sale Price
32120-62	RING-RETAINING	\$1.63
32120-72	RING-SNAP	\$0.44
32120-84	RING-SNAP, EXTERNAL	\$1.28
32120-93	RING-RETAINING	\$1.00
32121-11	PIN-ROLL	\$0.32
32121-110	PIN-ROLL, SLOTTED	\$2.30
32121-111	PIN-ROLL	\$1.61
32121-112	SPIROL PIN 1/4" X 1.25"	\$1.07
32121-12	PIN-ROLL	\$0.69
32121-122	PIN-ROLL	\$1.32
32121-123	PIN-ROLL	\$0.48
32121-15	PIN-ROLL	\$0.98
32121-16	PIN-SPRING	\$0.45
32121-2	PIN-ROLL, SLOTTED	\$0.18
32121-24	PIN-SPRING	\$0.90
32121-3	PIN-SPRING	\$0.35
32121-32	PIN-ROLL	\$0.65
32121-34	PIN-ROLL	\$1.18
32121-35	PIN-ROLL	\$0.80
32121-36	PIN-SPRING	\$2.40
32121-44	PIN-ROLL	\$1.04
32121-45	PIN-SPRING	\$0.24
32121-50	PIN-SPRING	\$1.05
32121-51	PIN-ROLL	\$0.70
32121-6	PIN-ROLL, SLOTTED	\$0.47
32121-67	PIN-SPRING	\$0.50
32121-69	PIN-SPRING	\$0.50
32121-73	PIN-ROLL	\$0.18
321-23	SCREW-HH	\$2.26
32128-12	NUT-LOCK, FLANGE	\$1.29
32128-15	NUT-LOCK, FLANGE	\$3.65
32128-16	NUT-HHF	\$0.87
32128-19	NUT-HF	\$0.94
32128-20	NUT-HF	\$0.53
32128-21	NUT-HF	\$0.52
32128-23	NUT-HF	\$1.26
32128-25	NUT-HF	\$0.37
32128-32	NUT-HHF	\$1.10
32128-33	NUT-HF	\$0.53
32128-36	NUT-HF	\$1.36
32128-37	NUT-HF	\$2.75
32128-43	NUT-FLANGE	\$0.58
32128-48	NUT-LOCK, HHF	\$0.95
32128-49	NUT-HHF	\$1.05
32128-54	NUT-HF	\$4.39
321-3	SCREW-HH	\$0.24
3213-1	SCREW-HH	\$0.71
3213-2	SCREW-HH	\$1.74
3213-20	SCREW-HH	\$1.35
32136-2	NUT-SHH	\$5.57
32136-9	NUT-HEX, SLOTTED	\$5.84
3213-8	SCREW-HH	\$2.12
321-4	SCREW-HH	\$0.53
32140-94	SCREW-HH, SEMS	\$0.17
32141-111	NUT-ADJUSTING	\$2.46
32141-36	SCREW-ADJUSTMENT, LEVEL	\$8.49
32144-1	SCREW-TAPTITE	\$1.52
32144-10	SCREW-HWH	\$2.39
32144-14	SCREW-HWHTF	\$1.91
32144-18	SCREW-HWH	\$1.73

Part Number	Description	Sale Price
32144-4	SCREW-HWH	\$0.31
32144-44	SCREW-HWH, THREAD ROLL	\$0.58
32144-57	SCREW	\$1.26
32146-13	NUT-HEX	\$1.99
32146-20	NUT-HEX	\$1.98
32149-2	NUT-KEPS	\$1.57
321-5	SCREW-HH	\$0.29
32151-104	RING-RETAINING, EXTERNAL	\$3.95
32151-12	RING-RETAINING	\$1.16
32151-36	RING-RETAINING	\$1.13
32151-47	RING-RETAINING	\$1.41
32151-60	RING-SNAP	\$0.89
32151-61	RING-RETAINING	\$0.80
32151-62	RING-RETAINING	\$1.08
32151-71	RING-RETAINING, INTERNAL	\$2.21
32151-77	RING-RETAINING, EXTERNAL	\$3.47
32151-92	RING-RETAINING	\$4.44
32152-1	NUT-LOCK, CONE	\$0.40
32152-4	NUT-LOCK, CONE	\$0.35
32153-5	NUT-HEX	\$0.67
32153-6	NUT-LOCK	\$1.61
321-6	SCREW-HH	\$0.35
3216-16	SCREW-HH	\$43.23
3217-5	NUT-HEX	\$0.18
3217-6	NUT-HEX	\$0.19
3217-7	NUT-HEX	\$0.23
3217-8	NUT-HEX	\$1.03
3217-9	NUT-HH	\$0.37
32180-030	CLIP-TIE	\$2.95
3218-1	NUT-JAM	\$0.77
3218-13	NUT-JAM, BRASS	\$0.80
3218-18	NUT-JAM	\$0.33
3218-2	NUT-JAM	\$0.14
3218-3	NUT-JAM	\$0.38
3218-5	NUT-JAM	\$0.33
3218-7	NUT-JAM	\$3.60
3219-1	NUT-HEX	\$0.12
3219-10	NUT-HEX	\$0.75
3219-14	NUT-HEX	\$0.08
3219-2	NUT-HEX	\$0.35
3219-3	NUT-HEX	\$0.31
3219-5	NUT-HEX	\$0.54
3-2198	HOOK	\$4.46
3220-1	NUT-JAM	\$0.13
3220-12	NUT-HEX JAM LH	\$0.90
3220-16	NUT-HEX JAM, LH	\$1.59
3220-18	1-1/8-12 JAM NUT	\$4.52
3220-2	NUT-JAM	\$0.43
3220-20	NUT-JAM	\$0.89
3220-25	NUT-JAM	\$21.39
3220-26	NUT-JAM	\$1.67
3220-3	NUT-HJ	\$0.24
3220-5	NUT-JAM	\$0.62
3220-6	NUT-JAM	\$0.55
3220-7	NUT-JAM	\$2.34
322-1	SCREW-HH	\$0.48
322-10	SCREW-HH	\$0.61
322-11	SCREW-HH	\$0.91
322-12	SCREW-HH	\$1.94
322-14	SCREW-HH	\$1.73

Part Number	Description	Sale Price
322-16	SCREW-HH	\$2.56
322-17	SCREW-HH	\$2.06
322-2	SCREW-HH	\$0.47
322-20	SCREW-HH	\$0.95
322-23	SCREW-HH	\$1.16
322-29	SCREW-HH	\$1.20
322-3	SCREW-HH	\$0.55
322-4	SCREW-HH	\$0.48
322-42	SCREW-HH	\$0.94
322-5	SCREW-HH	\$0.36
322-6	SCREW-HH	\$0.35
322-7	SCREW-HH	\$0.69
322-8	SCREW-HH	\$1.05
322-9	SCREW-HH	\$0.73
3229-1	BOLT-CARR	\$1.73
3229-11	SCREW-CARR	\$0.38
3229-2	SCREW-CARR	\$2.09
3229-20	SCREW-CARR	\$0.90
3229-34	SCREW-CARR	\$1.05
3230-1	BOLT-CARR	\$0.53
3230-2	BOLT-CARR	\$0.91
3230-22	SCREW-CARR	\$1.14
3230-23	SCREW-CARR	\$0.61
3230-26	SCREW-CARR	\$2.82
3230-30	SCREW-CARR	\$5.33
3230-5	BOLT-CARR	\$0.61
3230-6	BOLT-CARR	\$0.75
3230-7	BOLT-CARR	\$0.44
323-10	SCREW-HH	\$0.53
323-11	SCREW-HH	\$0.80
3231-2	BOLT-CARR	\$0.53
323-12	SCREW-HH	\$0.79
3231-21	SCREW-CARR	\$0.73
3231-22	SCREW-CARR	\$0.50
3231-25	BOLT-CARR	\$0.62
3231-27	SCREW-CARR	\$0.50
323-13	SCREW-HH	\$1.32
3231-33	SCREW-CARR	\$3.33
3231-4	SCREW-CARR	\$2.09
323-14	SCREW-HH	\$1.76
3231-5	SCREW-CARR	\$0.52
323-15	SCREW-HH	\$1.21
323-17	SCREW-HH	\$3.03
323-19	SCREW-HH	\$0.75
323-2	SCREW-HH	\$0.44
323-20	SCREW-HH	\$1.34
323-23	SCREW-HH	\$2.06
323-29	SCREW-HH	\$0.36
3233-26	SCREW-CARR, SHORT NECK	\$1.08
323-4	SCREW-HH	\$0.44
3234-1	SCREW-HHF	\$1.25
3234-11	SCREW-HHF	\$0.94
3234-12	SCREW-HHF	\$1.03
3234-13	SCREW-HHF	\$0.77
3234-14	SCREW-HHF	\$0.82
3234-17	SCREW-HHF	\$1.48
3234-18	SCREW-HHF	\$1.25
3234-19	SCREW-HHF	\$1.55
3234-24	SCREW-HHF	\$1.16
3234-27	SCREW-HHF	\$5.02

PARTS LIST

PARTS LIST

Part Number	Description	Sale Price
3234-29	SCREW-HHF	\$1.48
3234-32	SCREW-HHF	\$7.27
3234-33	SCREW-HHF	\$0.45
3234-34	SCREW-HHF	\$0.63
3234-36	SCREW-HHF	\$1.03
3234-38	SCREW-HHF	\$3.23
3234-4	SCREW-HHF	\$0.63
3234-42	SCREW-HHF	\$0.91
3234-5	SCREW-HHF	\$0.72
3234-6	SCREW-HHF	\$6.49
3234-7	SCREW-HHF	\$1.29
323-49	BOLT-TAP	\$2.46
323-5	SCREW-HH	\$0.69
323-50	BOLT-HH	\$0.78
323-52	SCREW-HH	\$2.75
323-53	SCREW-HH	\$1.21
323-58	BOLT-TAP, HH	\$2.57
323-6	SCREW-HH	\$0.55
323-7	SCREW-HH	\$0.67
323-8	SCREW-HH	\$1.24
323-9	SCREW-HH	\$0.79
324-10	SCREW-HH	\$1.22
324-13	SCREW-HH	\$1.07
3241-5	SCREW-SET	\$0.86
3241-6	SCREW-SQH	\$1.07
3241-7	SCREW-SQH	\$1.80
3242-1	SCREW-SQH	\$0.96
3242-2	SCREW-SQH	\$1.21
3242-4	SCREW-SET, SQH	\$1.37
324-25	SCREW-HH	\$4.28
3242-9	5/16-18X1-3/4 SQ H SS	\$1.16
3243-1	SCREW-SET	\$1.31
3243-13	SCREW-SET, SQH	\$1.41
324-5	SCREW-HH	\$0.60
3245-1	SCREW-SET, HSH	\$1.04
3245-35	SCREW-SET, HSH	\$0.56
3245-42	SCREW-SET	\$0.84
324-6	SCREW-HH	\$0.87
3246-17	SETSCREW-HSH	\$0.86
3246-2	SCREW-SET, HSH	\$0.34
324-7	SCREW-HH	\$1.29
324-8	SCREW-HH	\$3.44
3249-3	SCREW-PRH	\$0.06
3250-13	SCREW-PPH	\$0.90
3250-36	SCREW-PPH	\$2.18
325-10	SCREW-HH	\$2.97
325-11	SCREW-HH	\$1.98
325-12	SCREW-HH	\$4.04
325-13	SCREW-HH	\$2.74
325-14	SCREW-HH	\$1.48
325-17	SCREW-HH	\$2.35
325-18	SCREW-HH	\$2.11
325-19	SCREW-HH	\$1.85
325-2	SCREW-HH	\$0.87
325-22	SCREW-HH	\$2.88
3252-4	10-24 X 3/4 FIL HD MS	\$0.18
3253-17	WASHER-LOCK	\$0.11
3253-21	WASHER-LOCK	\$0.15
3253-3	WASHER-LOCK	\$0.09
3253-4	WASHER-LOCK	\$0.14

Part Number	Description	Sale Price
3253-5	WASHER-LOCK	\$0.08
3253-6	WASHER-LOCK	\$0.27
3253-7	WASHER-LOCK	\$0.12
3253-8	WASHER-LOCK	\$0.43
325-4	SCREW-HH	\$0.87
3254-1	WASHER-LOCK, INT	\$0.44
3254-17	WASHER-LOCK	\$0.24
3254-2	WASHER-LOCK, INTERNAL	\$0.18
3254-21	WASHER-LOCK/INT	\$1.83
3254-4	WASHER-LOCK/INT	\$0.32
3254-6	WASHER-LOCK, INTERNAL	\$0.08
3254-8	WASHER-LOCK	\$0.08
325-5	SCREW-HH	\$0.82
3255-16	WASHER-LOCK/EXT	\$0.31
3255-7	WASHER-LOCK/EXT	\$0.09
3255-8	WASHER-LOCK	\$0.08
3255-9	WASHER-LOCK	\$0.18
325-6	SCREW-HH	\$1.69
3256-1	WASHER-FLAT	\$0.33
3256-14	WASHER-FLAT	\$0.30
3256-15	WASHER-FLAT	\$0.18
3256-16	WASHER-FLAT	\$0.57
3256-2	WASHER-FLAT	\$0.33
3256-22	WASHER-FLAT	\$0.11
3256-23	WASHER-PLAIN	\$0.12
3256-24	WASHER-FLAT	\$0.09
3256-25	WASHER-FLAT	\$0.15
3256-26	WASHER-FLAT	\$0.37
3256-28	WASHER-FLAT	\$0.39
3256-3	WASHER-FLAT	\$0.12
3256-35	WASHER-FLAT	\$0.57
3256-38	WASHER-FLAT	\$0.38
3256-4	WASHER-FLAT	\$0.11
3256-42	WASHER-FLAT	\$0.98
3256-45	WASHER-FLAT	\$0.36
3256-46	WASHER-FLAT	\$0.84
3256-49	WASHER-PLAIN	\$0.48
3256-5	WASHER-FLAT	\$0.23
3256-51	WASHER-FLAT	\$0.28
3256-56	WASHER-FLAT	\$0.38
3256-6	WASHER-FLAT	\$0.26
3256-67	WASHER	\$0.82
3256-69	WASHER-FLAT	\$0.38
3256-74	WASHER-FLAT	\$0.65
3256-78	WASHER-FLAT	\$1.04
3256-82	WASHER-FLAT	\$0.54
325-7	SCREW-HH	\$0.81
3257-3	KEY-WOODRUFF	\$0.56
3257-32	KEY-WOODRUFF	\$1.01
3257-33	KEY-WOODRUFF	\$1.30
3257-42	KEY-WOODRUFF	\$2.37
3257-5	KEY-WOODRUFF	\$0.53
325-8	SCREW-HH	\$2.84
3258-166	SCREW-PRH	\$0.24
3262-3	RIVET-BUTTON HEAD	\$0.50
3269-23	RIVET-POP	\$0.32
3269-28	RIVET-POP	\$0.38
3269-3	RIVET-POP	\$0.32
3269-4	RIVET-POP	\$0.30
3269-8	RIVET-BLIND	\$0.50

Part Number	Description	Sale Price
327-15	SCREW-HH	\$6.76
327-17	SCREW-HH	\$6.87
3272-1	PIN-COTTER	\$0.20
3272-10	PIN-COTTER	\$0.12
3272-11	PIN-COTTER	\$0.79
3272-12	PIN-COTTER	\$0.09
3272-16	PIN-COTTER	\$0.15
3272-19	PIN-COTTER	\$0.16
3272-23	PIN-COTTER	\$0.23
3272-37	PIN-COTTER	\$0.53
3272-4	PIN-COTTER	\$0.19
327-24	SCREW-HH	\$3.66
327-25	SCREW-HH	\$5.23
3272-6	PIN-COTTER	\$0.19
3272-7	PIN-COTTER	\$0.23
3273-14	SCREW-HSH	\$0.84
3274-1	SCREW-HSH	\$4.66
3274-105	SCREW-HSBH	\$8.20
3274-12	SCREW-HSH	\$1.04
3274-31	SCREW-HSBH	\$0.73
3274-39	SCREW-HSBH	\$3.18
3274-5	SCREW-HSH	\$2.55
3274-52	SCREW-HSH	\$2.90
3274-69	SCREW-HSBH	\$0.42
3274-7	SCREW-HSH	\$1.22
3274-74	SCREW-HSH	\$5.75
3274-80	SCREW-HH	\$2.63
3274-93	SCREW-HSH	\$5.79
3274-99	SCREW-HSH	\$3.16
327-7	SCREW-HH	\$9.21
3283-1	PIN-GROOVED	\$0.57
328-9	SCREW-HH	\$3.92
3290-125	SCREW-SET,HSH	\$0.82
3290-133	SCREW	\$0.26
3290-134	SCREW	\$0.28
3290-237	SLOT HD SCREW	\$0.44
3290-244	WASHER-LOCK	\$0.15
3290-271	RIVET-POP	\$0.31
3290-317	WASHER-SPRING	\$1.31
3290-321	SCREW-HWH	\$2.32
3290-334	PYRAMIDAL WASHER	\$2.68
3290-343	PIN-HAIR	\$0.57
3290-355	PIN-HAIR	\$1.75
3290-357	NUT-HHF, WHIZ	\$0.63
3290-360	SCREW-HH	\$3.74
3290-378	TIE-CABLE	\$0.55
3290-379	TIE-CABLE	\$0.46
3290-382	RIVET-POP	\$0.31
3290-384	PIN-LYNCH	\$5.56
3290-440	WASHER-BELLEVILLE	\$3.99
3290-450	WASHER-BELLEVILLE	\$4.09
3290-467	PIN-HAIR	\$0.39
3290-477	WASHER-CURVED	\$0.67
3290-485	WASHER-WAVE	\$2.63
3290-495	PIN-KLIK	\$3.47
3290-55	RIVET-POP	\$0.33
329-1	SCREW-HH	\$0.39
329-2	SCREW-HH	\$1.39
3295-46	RIVET	\$0.09
32-9610	ROLLER SHAFT	\$12.86

Part Number	Description	Sale Price
3296-12	NUT-LOCK, NI	\$0.49
3296-15	NUT-LOCK, NI	\$1.79
3296-16	NUT-LOCK, NI	\$0.91
3296-19	NUT-HEX	\$1.39
3296-2	NUT-LOCK, NI	\$0.82
3296-23	NUT-LOCK, NI	\$0.67
3296-25	NUT-LOCK, NI	\$1.86
3296-26	NUT-LOCK, NI	\$2.33
3296-28	NUT-LOCK, NI	\$1.15
3296-29	NUT-LOCK, NI	\$1.28
3296-33	NUT-LOCK, NI	\$1.09
3296-39	NUT-LOCK, NI	\$1.66
3296-4	NUT-LOCK	\$0.53
3296-42	NUT-LOCK, NI	\$0.15
3296-45	NUT-HEX	\$1.62
3296-47	NUT-LOCK, NI	\$0.52
3296-48	NUT-HEX	\$0.53
3296-49	NUT-LOCK, NI	\$2.56
3296-5	NUT-HEX	\$0.66
3296-50	NUT-LOCK, NI	\$2.22
3296-51	NUT-LOCK, NI	\$4.25
3296-53	NUT-LOCK, NI	\$1.51
3296-56	NUT-LOCK, NI	\$1.29
3296-57	NUT-LOCK, NI	\$1.94
3296-6	NUT-LOCK	\$1.02
3296-60	NUT-LOCK, NI	\$2.19
3296-62	NUT-LOCK, NI	\$1.07
3296-67	NUT-LOCK, NI	\$3.53
3296-8	NUT-HEX	\$0.47
3296-9	NUT-HEX	\$0.32
33003-00	NUT-HF	\$0.60
33004-00	NUT-HF	\$0.43
33014-00	NUT-HEX	\$0.27
33023-00	NUT-LOCK	\$0.28
33024-00	NUT-LOCK, NI	\$0.63
33025-00	NUT-LOCK, NI	\$0.53
33026-00	NUT-HEX	\$1.17
33028-00	NUT-LOCK, NI	\$1.81
33-0630	BRUSH	\$16.29
33093-00	WASHER-FLAT	\$0.62
33094-00	WASHER-PLAIN	\$0.11
33098-00	WASHER-FLAT	\$1.31
33-1000	SCRAPER BRUSH ASM	\$32.60
33103-012	SCREW-HHF	\$2.90
33103-020	SCREW-HHF	\$1.83
33103-040	SCREW-HHF	\$3.80
33103-045	SCREW-HHF	\$2.12
33104-020	SCREW-HHF	\$1.63
33104-040	SCREW-HHF	\$1.83
33105-025	SCREW-HHF	\$0.95
33105-030	SCREW-HHF	\$2.00
33113-008	SCREW-HH	\$0.32
33113-012	SCREW-HH	\$0.56
33113-025	SCREW-HH	\$1.54
33113-030	SCREW-HH	\$1.03
33114-010	SCREW-HH	\$0.62
33114-016	SCREW-HH	\$0.39
33114-020	SCREW-HH	\$0.43
33114-025	SCREW-HH	\$0.62
33114-030	SCREW-HH	\$1.00

PARTS LIST

PARTS LIST

Part Number	Description	Sale Price
33114-035	SCREW-HH	\$3.53
33114-040	SCREW-HH	\$0.89
33114-060	SCREW-HH	\$0.70
33115-016	SCREW-HH	\$0.85
33115-020	SCREW-HH	\$0.87
33115-025	SCREW-HH	\$0.94
33115-030	SCREW-HH	\$1.32
33115-050	SCREW-HH	\$1.32
33115-080	SCREW-HH	\$1.15
33118-045	SCREW-HH	\$1.00
33118-140	SCREW-HH	\$7.58
33123-016	SCREW-CARR	\$1.12
33124-025	SCREW-CARR	\$1.57
33125-025	SCREW-CARR	\$1.65
33125-030	SCREW-CARR	\$2.18
33125-045	SCREW-CARR	\$2.38
33126-045	SCREW-CARR	\$4.31
33-3090	BUSHING	\$6.47
3334-945	TIE-CABLE	\$0.84
3-3891	FINGER-THROWOUT, LH	\$14.84
3-3892	BEARING-FINGER, THROWOUT	\$10.08
3-3904	FINGER-THROWOUT, RH	\$14.84
340-1	FITTING-STRAIGHT	\$6.43
3-4010	BUSHING ASM	\$5.26
340-101	FITTING-HYD, 45 DEG	\$16.44
340-103	FITTING-HYD, 45 DEG	\$17.51
340-105	FITTING-ELBOW, 90 DEG	\$19.77
340-109	FITTING-TEE	\$27.89
340-126	NUT-BULKHEAD	\$5.29
340-127	NUT-BULKHEAD	\$4.69
340-128	NUT-BULKHEAD	\$9.90
340-129	FITTING-ELBOW, 90 DEG	\$53.49
340-132	FITTING-ELBOW, 90 DEG	\$13.84
340-136	O-RING	\$3.95
340-138	FITTING-HYD, 45 DEG	\$16.44
340-139	FITTING-ELBOW 90	\$60.58
340-14	FITTING-HYD, 45 DEG	\$21.19
340-142	FITTING-ELBOW, 90 DEG	\$34.94
340-154	UNION-BULKHEAD	\$23.80
340-156	FITTING-ELBOW 45	\$40.59
340-157	FITTING-HYD, TEE	\$32.81
340-16	FITTING-HYD, 90 DEG	\$26.19
340-17	FITTING-ELBOW, 90 DEG	\$22.59
340-18	FITTING-HYD, 90 DEG	\$20.19
340-2	FITTING-STRAIGHT	\$6.14
340-3	FITTING-STRAIGHT	\$7.64
340-4	FITTING-STRAIGHT	\$7.58
340-6	FITTING-STRAIGHT	\$10.16
340-65	O-RING	\$0.82
340-68	FITTING-TEE, BULKHEAD	\$17.44
340-7	FITTING-STRAIGHT	\$9.16
340-70	NUT-LOCK	\$1.90
340-72	FITTING-BULKHEAD, 90 DEG	\$27.03
340-74	NUT-LOCK, BULKHEAD	\$4.71
340-77	FITTING-ELBOW, 90 DEG	\$15.26
340-78	NUT-LOCK	\$1.90
340-82	FITTING-ELBOW, 90 DEG	\$14.62
340-86	FITTING-TEE	\$20.95
340-87	FITTING-ELBOW, 45 DEG	\$10.73
340-88	FITTING-STRAIGHT	\$7.98

Part Number	Description	Sale Price
340-89	FITTING-HYD, 45 DEG	\$21.53
340-92	FITTING-STRAIGHT	\$6.64
340-98	FITTING-ELBOW, 90 DEG	\$14.95
3-4160	LH IDLER RING ASM	\$70.65
3-4170	RH IDLER RING ASM	\$70.65
3-4244	PULLEY-IDLER	\$10.11
353-212	FITTING-ELBOW, 45 DEG	\$16.23
353-384	FITTING-STRAIGHT	\$3.79
353-426	FITTING-90 DEG	\$19.55
353-427	FITTING-45 DEG	\$19.41
353-461	HYD MOTOR SEAL KIT	\$41.97
353-511	FITTING-HYD, 90 DEG	\$19.13
353-515	SEAL & RET KIT	\$11.66
353-528	SEAL KIT	\$25.40
353-550	PLUG-HYD, HH	\$6.14
353-564	FITTING-90 DEG	\$84.57
353-743	LOAD SEAL KIT	\$12.84
353-781	FITTING-HYD, 90	\$15.69
353-783	FITTING-STR	\$15.53
353-877	FITTING-HYD, TEE	\$12.50
353-949	O-RING	\$1.18
353-957	CUP-SEAL	\$10.69
353-979	FITTING-STR	\$9.27
353-987	FITTING-ELBOW, 90	\$39.68
353-988	PLUG-HEX	\$6.00
353-990	PLUG ASM	\$5.36
354-120	FITTING-ELBOW, 90	\$16.01
354-121	FITTING-STR	\$10.58
354-126	FITTING-ELBOW, 45	\$25.91
354-136	FITTING-STR	\$18.42
354-73	FITTING	\$15.32
354-78	FITTING-STR	\$26.41
354-79	CAP-DUST	\$4.41
360-0398	O-RING	\$1.48
361-1	APPLE RED SPRAY PAINT	\$5.80
361-10	TORO RED 12OZ AEROSOL CAN	\$5.99
36-1740	ROLLER-DECK	\$18.39
3-6498	WASHER-THRUST	\$3.47
3-6573	BEDKNIFE-SERVICE ONLY	\$35.13
3-6685	SPRING	\$4.88
36-7190	GRASS SHIELD ASM	\$43.35
36-7250	GM-3 GRASS BASKET	\$76.21
36-7260	BAR-OFF, CUT	\$9.87
36-7420	BEARING-BALL	\$10.16
3-6775	WASHER	\$1.00
3-6776	SPACER	\$4.77
3-6777	WASHER	\$0.96
3-6778	AXLE SLINGER	\$3.42
3-6781	WASHER-THRUST	\$1.43
37-2760-01	PIN-LIFT, BAIL	\$45.71
37-3490-01	BRACKET-DRAWBAR	\$8.23
3-7442	LOWER WASHER	\$4.59
3-7445	STUD-RING, RATCHET	\$5.54
37-6730	CUP-BEARING	\$8.55
37-8030-03	PUMP MOUNT	\$223.69
38-0410	NUT-HEX	\$3.17
38-3400	GUARD-RUBBER	\$5.23
3-8386	NUT-PINION, REEL	\$2.47
3-8448	WASHER-THRUST	\$0.95
3-8514	WASHER-THRUST	\$2.12

Part Number	Description	Sale Price
38-5250	PUMP-VALVE HOSE	\$38.15
38-7330	SHIELD WASHER	\$4.28
38-7420	BEDKNIFE, RM	\$45.10
38-7820	BEARING-BALL	\$4.00
3-9116	SHAFT-IDLER PINION, RH	\$9.73
3-9117	SHAFT-IDLER PINION, LH	\$9.73
3-9280-01	DRAWBAR	\$166.29
39-9590	ROLLER ASM	\$298.68
40-0340	SHAFT-ROLLER, REAR	\$19.70
40-0370-01	FRT CASTOR FRK WA	\$53.01
40-3760-03	BLADE-18"	\$19.99
40-6400	SHAFT-ROLLER	\$11.53
40998	SEAT-GASKET	\$0.83
40999	CLAMP	\$4.97
411024	BELT VARIATOR 520	\$7.27
41480	VALVE - 1 IN MOTORIZED CT	\$614.74
41679	BELT - DRIVE	\$103.15
41-9150	V-BELT, TORQUE TEAM	\$26.30
42-1910	PLATE WA	\$43.84
42-1940	RAKE PRONG	\$2.66
4-2219	REEL ASM	\$411.85
42-4790-01	RH MOUNT WA	\$8.63
42-4800-01	SCRAPER ASM	\$39.84
42-9030	FILTER-OIL	\$7.20
42-9100	V-BELT, FAN	\$17.99
43-0090	SCREW-HH	\$6.98
43-1820	FUEL FILTER	\$17.17
43-2550	FILTER-PUMP	\$15.81
43-2830	NUT-HEX	\$0.35
43-3860	SHAFT-PIVOT, PTO	\$36.28
43-3990	CONTROL-THROTTLE	\$18.50
43-5910	FAN BELT	\$11.71
43-5930	WASHER-LOCK, SPRING	\$0.72
43-6810	SPIDER-TORQUE	\$65.86
44-0870	CAM SHAFT ASM	\$73.21
44-2200	SCREW-BLADE	\$1.89
44-2500	HYD OIL DYE (RED)	\$14.99
44-5480	BLADE-HIGH SAIL	\$10.51
44-5560	HEAD-FILTER, OIL	\$105.53
44-6250-03	BLADE-21.5 INCH	\$11.35
44-6260	V-BELT	\$41.16
44-6340	PULLEY AND HUB ASM	\$29.08
44-6370	SPINDLE ASM	\$417.18
44-8990	V-BELT	\$24.48
44955	MVP KIT 1000 HOUR - GR315	\$212.70
44957	MVP KIT 1000 HOUR - SANDP	\$193.55
44958	MVP KIT 1000 HOUR - GM590	\$419.54
44959	MVP KIT 1000 HOUR - RM5XX	\$171.29
44960	MVP KIT 1000 HOUR - RM561	\$171.29
44962	MVP KIT 1000 HOUR - GM35X	\$178.19
44963	MVP KIT, 1000 HR, GM35XX/	\$169.81
44964	MVP 1KHR - RM5410D/5510D/	\$321.80
44965	MVP KIT, 1000-HOUR, GM350	\$247.10
44966	MVP KIT 1000 HOUR - RM501	\$127.61
44967	MVP KIT 1000 HOUR - GM4XX	\$374.45
44968	MVP KIT 1000 HOUR - GR325	\$215.10
44969	MVP KIT 1000 HOUR - GR330	\$234.33
44970	MVP KIT 1000 HOUR - GR340	\$236.73
44971	GREENSMaster ETRIFLEX 400	\$78.59
4-5189-01	ROLLER AND END CAP ASM	\$120.59

Part Number	Description	Sale Price
46-0430	NUT-LOCK	\$0.51
46-6560	BUSHING	\$3.12
46-7510	HOOD-INLET, AIR	\$52.73
46-8530	BEARING ASM	\$41.13
46-8560	SCREW-HHFTF	\$0.67
47-2380	KEY-SQUARE	\$1.23
47-2890	BUSHING	\$4.28
47-4060-01	COVER-CASE, GEAR ASM	\$31.19
47-4080-01	BEDBAR	\$205.11
47-4250	SLEEVE-WEAR	\$6.87
47-4260	SLINGER-GRASS	\$1.40
47-4300-01	HANDLE ASM	\$46.73
47-4380	NUT-ROLLER ADJ, RH (MACHI	\$11.29
47-4390	NUT-ROLLER ADJ, LH (MACHI	\$11.29
47-4400	ARM-SPRING	\$17.38
47-4410	HOUSING-RETAINER	\$31.19
47-4420	SPACER-SLEEVE, ADJUSTMENT	\$3.16
47-4430	BUSHING-FLANGED	\$1.18
47-4440	WASHER-PLASTIC	\$0.75
47-4450	BOLT-SHOULDER	\$16.85
47-4460	BOLT-SHOULDER, ECC	\$19.38
47-4470	RETAINER-RATCHET RING, RH	\$26.19
47-4480	RETAINER-RATCHET RING, LH	\$26.19
47-4490	PINION-REEL	\$28.56
47-4510	SHAFT-ADJUSTING	\$19.82
47-4530	RETAINER-DRAWBAR	\$7.64
47-5320-01	LEVER	\$34.86
47-5640	SPACER-RUBBER	\$1.01
47-6680	BEDKNIFE, RM (FAIRWAY)	\$46.69
47-7140	PULLEY-DRIVEN	\$110.83
47-7150	PULLEY-DRIVE	\$116.17
47-7160	BELT	\$18.98
47-7170	GASKET-COVER	\$10.61
47-7510	WASHER-NYLON	\$0.57
48-7430	PRECLEANER	\$35.70
48-8880	PIN-DOWEL	\$1.07
48-9020	BOLT-SHOULDER	\$6.08
48-9050	SHIELD-PLATE, DRIVE	\$10.77
48-9071-01	COVER-DRIVE HOUSING, RH	\$28.31
48-9081-01	COVER-DRIVE HOUSING, LH	\$28.31
48-9220	WASHER-PLAIN	\$0.23
48-9590	WASHER-LOCK	\$0.41
49-0390	SPACER	\$3.53
49-2040	SCREW-HWHTF	\$0.88
49-4100	SHAFT-AXLE, STUB	\$13.59
49-5430	ROD-CONTROL	\$41.16
49-5880	SHAFT-SUPPORT, SEAT	\$10.66
49-5900	STEERING WHEEL ASM	\$142.45
49-5960	STEERING CABLE	\$38.76
49-6020	THROTTLE CONTROL	\$14.82
49-6110-01	GUARD-ROD, TRANSMISSION	\$28.45
49-6120	PAD-FOOTREST	\$23.37
49-6200-01	LEVER-CUTTING	\$36.72
49-6220	BRACKET-ARM, CONTROL	\$17.99
49-6250	BRACKET-PIVOT	\$9.97
49-6260	PIVOT ASM	\$38.89
49-6290	PIVOT SHAFT ASM	\$10.87
49-6440-03	PEDAL-FORWARD	\$33.66
49-7660	BEDKNIFE, RM	\$41.50
49-8320	BEARING ASM	\$39.84

PARTS LIST

PARTS LIST

Part Number	Description	Sale Price
5-0652	SPACER	\$4.59
5-0698	KEY	\$1.69
5-0946	KEY-SQUARE	\$0.61
51-0350	PIN-SPRING, SEAT	\$6.14
51-0600	HOSE ASM	\$36.18
51-0680	THROTTLE CONTROL	\$20.76
51-0700	MUFFLER ASM	\$78.30
51-0780	SLIDER-SEAT	\$75.89
51-0790	ADJUSTER-SEAT, LH	\$84.50
5108	VALVE	\$3.29
51-0830	ADJ SHIELD	\$4.89
51-0840	PIVOT TUBE *R	\$14.11
5-1090	DRAWBAR CLAMP -PLT	\$20.83
5-1091	SPACER	\$4.46
5-1226	WASHER	\$3.27
51-2550	TIRE (18X4-12) SEMI-PNEUM	\$111.64
5-1382	FRONT ROLLER ASM	\$121.69
5-1393	SHAFT-REEL	\$105.59
51-4060	SCREW-BLADE	\$3.65
5-1457	GEAR-WHEEL, DRIVE	\$133.66
5-1460	COVER-PINION, REEL	\$2.47
5-1461	KNIFEBAR PIVOT	\$7.27
5-1463	PINION-REEL	\$54.28
5-1464-03	HANDLE-RATCHET, THROWOUT	\$21.04
5-1468-01	PNEU. WHEEL HUB	\$55.40
5-1470	SCREW-HH	\$0.58
5-1706	SPRING-EXTENSION	\$4.28
52-1460	GRND.CABLE	\$10.44
52-2480	SPACER-WHEEL	\$5.47
52-2860	WASHER	\$0.67
52-2890	BUSHING-NYLON	\$0.72
52-2891	BUSHING-FLANGED, NYLON	\$1.80
52-2900	WASHER-PLASTIC	\$0.54
52-2910	BOLT-ECCENTRIC	\$10.31
52-2920	PIVOT-BEDBAR	\$13.95
52-2930	BOLT-SHOULDER	\$8.63
52-2980	S.P.A. PIVOT	\$44.35
52-2990	SPRING RET CAPSCREW	\$5.84
52-3000	SPRING ARM	\$25.99
52-3100	BOLT-HOC ECCENTRIC, LH	\$14.62
52-3110	BOLT-HOC SHOULDER, RH	\$14.62
52-3120	ROLLER ASM	\$102.67
52-3170	FULL FRONT ROLLER ASM	\$116.30
52-3180	BEARING-ROLLER, FRONT	\$22.75
52-3200	WIEHLE ROLLER ASM	\$161.71
5-2653	PULLEY ASM	\$20.69
5-2673	AXLE SHAFT	\$44.21
5-2942	SHACKLE	\$19.13
5-3137	SPACER TUBE BUSHING	\$6.84
5-3256	PNEUMATIC TIRE DISC	\$20.32
5-3257	PNEUMATIC TIRE DISC	\$19.17
5-3820	OIL SEAL	\$4.20
5-3889	AXLE SPACER TUBE ASM *R	\$173.00
53-9250	ROLLR SCRPR BRKT	\$8.19
5-3934	BOLT-CASTER	\$22.51
53-9682	MOUNT-ENGINE	\$52.46
54-0010-03	BLADE	\$15.66
54-0110	FILTER-OIL, TRANSMISSION	\$10.28
5-4038	WEAR SLEEVE	\$10.03
5-4373	SPRING	\$10.82

Part Number	Description	Sale Price
5-4523	SLEEVE	\$12.36
5-4527	WASHER-THRUST	\$0.95
54-8810	10-INCH PNEUMATIC CASTOR	\$64.40
54-9180	U-JOINT KIT	\$27.75
54-9510	MOTOR-HYD, WITH BY-PASS	\$655.59
55-7660	V-BELT	\$43.99
560031W	ROLLER REAR W/A HARRIER 5	\$51.48
56-6220	BEARING	\$94.20
56-6230	BEARING-ROLLER	\$55.40
56-6360	FILTER-FUEL	\$4.70
56-7960	TIRE (11-15) 8-PLY	\$148.60
56-7970	CLAMP-TUBE	\$10.73
56-7971	CLAMP-TUBE	\$15.46
56-7972	CLAMP-TUBE	\$13.06
56-7973	CLAMP-TUBE	\$13.42
56-7976	CLAMP-TUBE	\$3.48
56-9510	BUSHING ASM	\$5.03
56-9520	BUSHING-FLANGED	\$1.33
57-0240	V-BELT	\$58.98
57-0260	SPINDLE ASM	\$271.69
57-0680	SHAFT-ROLLER	\$6.47
57-0690	PIN-SPECIAL	\$3.28
57-3210	SCREW	\$1.40
57-4940-01	BEDBAR	\$146.57
57-5190	SCREW-SET, HSH	\$1.74
57-5200	GRASS SHIELD ASM	\$51.24
57-5210	SHIELD FLAP	\$4.10
57-5270	SPRING-COMPRESSION	\$6.41
57-5280	BRG CUP & CONE RET	\$1.43
57-6140	CLAMP-TUBE, HALF	\$5.85
57-6220	LINK-CONNECTING	\$3.17
57-6390	NUT-JAM	\$0.61
57-7650	SPRING-TORSION	\$5.40
57-8580	FILTER	\$3.26
57-9340	SPARK PLUG	\$3.50
57-9910	PIVOT SCREW	\$2.72
58-3850	CABLE	\$37.41
58-4250	CATCH-MAGNETIC	\$24.92
58-5740	HOSE ASM	\$61.63
58-5750	HOSE ASM	\$49.28
58-5780	HOSE ASM	\$51.92
58-5790	HOSE ASM	\$49.28
59-2080	ROLLER CHAIN	\$112.10
59-2090	ROLLER CHAIN	\$49.84
59-2500-03	BLOCK	\$23.51
59-2580	SPACER-TUBULAR	\$4.95
59-3670	TINE-HOLLOW, 5/8 X 4.75	\$1.93
59-4200	V-BELT	\$9.18
59-5470-01	BEDBAR-5 AND 7 BLADE	\$212.00
59-5560	CAP-DUST	\$16.63
59-5570	ADJ PIN	\$21.99
59-5580-01	HANDLE ASM	\$46.64
59-5630	ROLLER ASM	\$218.23
59-5690	SLEEVE-WEAR	\$10.26
59-5770-01	HOUSING-ADJUSTMENT	\$38.96
59-5780	ROLLER BUSHING ASM	\$5.78
59-5820	NUT-CONE	\$8.39
59-5830-01	COVER-FRAME	\$12.36
59-5890	BEDKNIFE (FAIRWAY)	\$45.10
59-5910	CROSS AND BEARING (\$113.60

Part Number	Description	Sale Price
59-6010-01	BRACKET-SKID, LH	\$7.55
59-6070-01	R/H SCRAPER BRKT	\$6.14
59-6080-01	L/H SCRAPER BRKT	\$6.14
59-6090	RM4000 REAR ROLLER SCRAPE	\$57.89
59-6140	BEARING	\$36.34
59-6150	WASHER-PULLEY	\$3.65
59-6190	CAPSCREW-SHAFT, REEL	\$7.76
59-6250-01	FRAME WA	\$247.47
59-6330	NUT	\$70.01
59-6340	SHOULDER BOLT	\$10.56
59-7410	FITTING-DIAGNOSTIC	\$19.41
59-7490	PLUG-FITTING, GREASE	\$2.14
59-8400	SEAL KIT	\$17.13
59-9740	FLEX DRAW LATCH ASM	\$19.55
60-5470	FILTER ELEMENT KIT	\$59.98
60-6500	SCREW-HH	\$0.50
6-1030	HOUSING	\$76.21
61-0380-01	CAP-END,ROLLER	\$42.34
61-0410	FULL ROLLER ASM	\$179.62
61-0420-01	SUPPORT-HOC	\$15.46
61-0430-01	HOC REAR BRKT(MACH)	\$35.97
61-0790	SCREW-HH	\$3.21
61-0910	BRACKET-ANGLE	\$5.72
61-1010	BEDBAR PIVOT HSG WA	\$18.71
61-1210-01	BEDBAR	\$207.85
6-1130	LH ROLLER ADJ WASHER	\$7.69
61-1950	WASHER-PLASTIC	\$0.54
61-2670	WIRE ASM	\$8.79
61-2790	FILTER-SCREEN	\$26.60
61-3000	SHAFT	\$39.71
61-3260	REAR LIFT CABLE	\$23.63
61-3280	FLAP-RUBBER	\$3.11
61-3290	FLAP-RUBBER, MIDDLE	\$3.49
61-3380	BELT-V	\$21.81
61-3390	BELT	\$28.49
61-3400	V-BELT	\$25.84
61-3790	PLATE-HOC, FRONT	\$3.64
61-3800	PLATE-HOC, REAR	\$3.95
61-4160	HOUSING-SPINDLE	\$85.65
6-1600	SOLENOID	\$30.00
61-9390-01	STEERING DRUM	\$85.84
62-2130	CHOKE CONTROL	\$21.53
62-2170	WASHER-THRUST	\$1.25
62-2180	STEERING CABLE	\$35.17
62-2190	PLAIN WASHER	\$1.16
62-2390-01	BAR-LH LIFT ARM	\$56.79
62-2420-01	BAR ASM-LIFT, CTR ARM	\$54.03
62-2440	LIFT ARM ASM	\$62.44
62-2460	LIFT ARM ASM	\$62.44
62-2660	FOOT STEP PAD	\$6.78
62-4340	SPANNER	\$4.36
62-4420	WASHER	\$3.60
62-4480	ROD-ROLLER	\$8.97
62-4600	TINE-HOLLOW, 3/4 X 4.75	\$4.00
62-4610-03	BLOCK	\$33.82
62-5070	DECAL-WARNING	\$2.55
62-5510	BUSHING-RUBBER	\$3.83
62-5570	BEARING-ROLLER	\$6.17
62-5580	BEARING-OUTSIDE	\$2.40
62-6080	BOLT-SHOULDER	\$6.02

Part Number	Description	Sale Price
62-6110	BUSHING ASM	\$5.68
62-6130	WIEHLE ROLLER ASM	\$282.26
62-6390	FAN BELT	\$39.75
62-6470	DRIVE HSG RH (MACH) *R	\$172.36
62-6480-01	DRIVE HSG LH (MACH)	\$172.36
62-7120	WASHER	\$0.80
62-7700-03	BLADE-21"	\$13.49
62-7770	KEY-IGNITION	\$2.38
63-0070	SPACER	\$2.01
63-0080-03	BLADE	\$19.58
63-0960	REAR CASTOR SPACER	\$2.56
63-1510	V-BELT	\$93.95
63-1540-03	PULLEY-IDLER	\$26.28
63-1770	SPANNER	\$5.42
63-2290	WASHER-THRUST	\$1.57
63-3410	SCREW-SHOULDER	\$3.75
63-3850	HOSE ASM	\$30.27
63-3890	HOSE ASM	\$28.96
63-3930	HOSE ASM	\$33.21
63-3950	HOSE ASM	\$32.26
63-4020	TUBE-HYD	\$99.90
63-4030	TUBE-HYD	\$88.36
63-4050	FITTING-HYD	\$63.82
63-4080	FITTING-MANIFOLD	\$119.09
63-4480	TIRE	\$230.60
63-6240	V-BELT	\$39.89
63-7790	SCREW-CAP	\$1.29
63-8300	ELEMENT-SPIN ON	\$21.42
63-8360	KEY-IGNITION	\$2.79
63-8400	CASTER WHEEL ASM	\$44.93
63-8410	WASHER	\$0.74
63-8580	BEARING-ROLLER	\$5.82
63-8610	BEDKNIFE-FAIRWAY (21IN)	\$36.60
63-8750	PIN-PIVOT	\$3.86
63-9510	BUSHING	\$4.17
63-9750	MOUNT	\$11.22
65-5940	PULLEY-IDLER	\$17.75
65-5950	BUSHING-PULLEY	\$2.50
65-6200	BELT	\$13.70
65-6210	BELT	\$18.83
65-6450	BRACKET-LH	\$2.87
65-6460	BRACKET-RH	\$2.87
65-6520	SPACER	\$7.48
65-6530	SPACER	\$7.44
65-7270	V-BELT (MATCHED SET)	\$12.65
65-7910	SPACER	\$3.03
65-7940	TIRE	\$36.33
65-8360-01	SCRAPER-SMOOTH	\$35.78
65-8570	ROD-MOUNTING	\$9.81
65-8600	KNOB-ADJUSTMENT, HEIGHT	\$19.13
65-8770	BUSHING-BELLCRANK	\$4.45
6590003	O-RING	\$4.55
65-9080	BELT	\$32.24
65-9500	ROLLER ADJ SCREW	\$20.76
65-9700	BELT-DRIVE	\$11.65
66-0561	SCREW-SHOULDER	\$2.69
66-2630	LATCH-SEAT	\$10.83
66-2950	GAUGE-HOURMETER	\$48.82
66-4070	V-BELT	\$60.14
66-4270-03	SPRING-EXTENSION	\$22.59

PARTS LIST

PARTS LIST

Part Number	Description	Sale Price
66-4340	V_BELT	\$42.15
66-5620	WASHER	\$1.77
66-5640	SHAFT	\$44.72
66-5650	SHAFT	\$46.71
66-7220	ARM-SPRING	\$8.31
66-7230	SPRING-COMPRESSION	\$4.46
66-7240	SCREW-PIVOT	\$7.47
66-8010	SPACER	\$2.63
66-8800	RELAY	\$53.02
66-9140	TINE-HOLLOW, 1/2 X 4.75	\$1.88
66-9302	SCREW-HHF, WHIZ	\$2.32
67-1750	BUSHING	\$1.69
67-1751	BUSHING	\$4.09
67-4410	V-BELT	\$20.88
67-4630	ALTERNATOR ASSEMBLY	\$371.70
67-5770	WASHER	\$2.33
67-5840	NUT-JAM	\$4.61
67-6920	V-BELT	\$44.99
67-7561	CUP-SCALP, ANTI	\$20.38
67-7960	DECAL-DANGER	\$2.60
67-8110	CARTRIDGE-FILTER, OIL	\$11.82
67-8510	V-BELT, FAN	\$18.91
67-9410	WASHER	\$1.37
68-3270	BUMPER-RUBBER	\$20.44
68-5130	WHEEL-STEERING	\$105.40
68-5260	MANIFOLD-TEE	\$131.13
68-5310	CLIP-ROD, PROP	\$2.84
68-5380	CENTER LIFT ARM ASM	\$73.43
68-5560	PIN-CYLINDER, PIVOT	\$25.34
68-5880	HOSE-HYD	\$69.71
68-6150	BREATHING	\$14.32
68-6710	ROLLER	\$34.00
68-6840	SHAFT-ROLLER	\$34.32
68-7530	BUSHING	\$6.09
68-8900-01	FRONT CASTOR FORK ASM	\$48.52
68-8920	FEMALE WHEEL HALF	\$10.88
68-8930	MALE WHEEL HALF	\$10.88
68-8940	HUB-CENTER	\$16.08
68-8950	TUBE-INNER (W/VALVE)	\$10.11
68-8960	TIRE	\$34.99
68-8970	TIRE AND BEARING ASM	\$63.99
68-8980	SPANNER-TIRE	\$5.80
68-8990	HEAD-FILTER	\$82.72
68-9400	NUT-FLANGE	\$1.61
68-9930	THROTTLE CONTROL	\$20.61
68-9970	GUARD-SEAL	\$1.65
69-1510	SPACER	\$3.04
69-1530	HOUSING-SPINDLE	\$148.88
69-1720	ELEMENT-FILTER	\$37.06
69-4320	FITTING-HYD, 90 DEG	\$88.02
69-5430-03	PULLEY-IDLER, FLAT	\$26.35
69-6270-01	FORK - CASTOR	\$166.29
69-6470	BUSHING-CASTOR	\$5.03
69-6860	WASHER-THRUST	\$1.64
69-6920-03	BLADE-20 IN.	\$17.12
69-6950	SPACER-SHAFT, SPINDLE	\$10.15
69-8390	SPINDLE PULLEY ASSEMBLY	\$107.29
69-8400	SPINDLE ASM	\$425.76
69-8890	CAP-SPINDLE	\$8.05
69-8930	WASHER	\$1.55

Part Number	Description	Sale Price
69-8960	SPACER	\$5.29
69-8980	WASHER	\$0.43
69-9760	PLATE-COVER	\$3.23
69-9800	TIRE (31X13.5-15) 8-PLY	\$279.80
69-9880	TIRE (23X10.5-12) 6-PLY	\$139.98
700083	FLANGETTE-BEARING	\$3.86
700382	RIVET	\$0.47
7-0081	WASHER-FLAT	\$0.83
70-1170	BLADE-VERTIREEL	\$0.85
70-1200-01	FRAME-REEL ASM	\$384.59
70-1350	SPACER-PLASTIC	\$0.82
70-1820	CASTOR WHEEL	\$47.38
70-4790	FILTER	\$4.89
70-7130	LINE-TUBE	\$81.17
70-8040	WASHER	\$2.19
70-8370	BOLT	\$31.82
70-8500	TIRE-SMOOTH, 2-PLY	\$82.98
70-9840	SHOE-BRAKE	\$22.43
70-9870	PLATE-BACKING	\$102.26
70-9880	SPRING-RETURN	\$4.52
70-9940	HYDRAULIC HOSE ASM	\$56.24
70-9950	HYDRAULIC HOSE ASM	\$52.39
70-9960	HYDRAULIC HOSE ASM	\$67.20
71-0990	ORIFICE (.0465 ONE-WAY)	\$48.56
71-1360	BEARING	\$16.77
71-1550	WIEHLE ROLLER ASM (21IN,	\$147.60
71-2530	BEARING/SPACER KIT	\$76.43
71-3590	NUT-ADJUSTMENT	\$8.82
71-3690	SPADE-BENT	\$8.97
71-4410	SPACER	\$5.05
71-4411	SPACER	\$4.68
71-4540	WASHER-THRUST	\$2.12
71-4740-03	RH TIE ROD END ASM	\$87.39
71-5960	FUEL FILTER	\$8.49
72-0380	HEX-KNOB	\$4.92
72-0390	ROD-ADJUSTING	\$16.89
72-0410	STAND-OFF	\$10.26
72-0420	CLAMP-TUBE	\$10.61
72-0430	BUSHING-FLANGE	\$3.11
72-0440	PIN-ADJ	\$16.66
72-0450-01	BRACKET-RH	\$22.09
72-0460-01	BRACKET-LH	\$22.09
72-0470-01	GUARD	\$28.22
72-3760	V-BELT	\$17.20
72-4640-03	LH TURF GUARD ASM	\$88.43
72-4660-03	RH TURF GUARD ASM	\$88.43
72-4680-03	CENTER TURF GUARD ASM	\$106.16
72-9361	CUP-SCALP, ANTI	\$19.33
72-9390	BELT-SEAT	\$74.08
72-9710	HUB-TIRE	\$161.36
74-0340	CUSHION-RUBBER	\$2.63
7-4150	WASHER	\$2.07
74-1810	WASHER	\$1.74
74-3570	FILTER	\$32.25
74-3650	FAN	\$125.86
74-3730	SPACER-SPINDLE, REAR	\$2.84
74-5560	TIRE (20X8-10) 6-PLY	\$86.98
74-5950	LATCH-SWELL	\$12.64
74-8830	BELT-TIMING	\$76.18
74-9100	PAD-PEDAL, FORWARD	\$10.52

Part Number	Description	Sale Price
74-9110	PAD-PEDAL, REVERSE	\$8.82
75-0560	STEERING WHEEL ASM	\$133.52
75-0770	HYD CYLINDER	\$195.81
75-1040	COOLER-OIL	\$485.03
75-1290	BEARING-ROLLER	\$18.48
75-1310	FILTER-HYD	\$43.44
75-1370	CABLE-BATTERY, POSITIVE	\$33.82
75-1520	WIEHLE ROLLER ASM	\$217.64
75-1560-01	REAR DEFLECTOR WA	\$40.21
75-1610-01	ADJUSTMENT-HOC, RH	\$41.68
75-1620-01	ADJUSTMENT ASM-HOC, LH	\$41.68
75-1710	SUPPORT	\$21.75
75-1720	FLAP-SHIELD, REAR	\$2.11
75-1740	SCRAPER SPRING	\$7.63
75-1750-01	REAR SCRAPER WA	\$29.82
75-1840	FRONT GRASS SHIELD ASM	\$47.22
75-1960-01	BRACKET-HOC, RH FRONT	\$25.71
75-1980-01	BRACKET-HOC, LH FRONT	\$25.71
75-2160	BUSHING	\$2.81
75-4040-03	PLATE-BASKET, LH	\$7.98
75-4050-03	PLATE-BASKET, RH	\$7.98
75-5270	SPACER-KNOB, SEAT	\$1.94
75-5470	SPACER-BEARING	\$2.62
75-5890	HOSE	\$34.14
75-5900	HOSE	\$37.67
75-5910	HOSE	\$39.18
75-6070	HOSE	\$18.53
75-6080	HOSE ASM	\$18.53
75-6180	HOSE	\$28.63
75-6200	HOSE	\$32.58
75-6230	HOSE	\$63.93
75-6340	FILTER, IN-LINE	\$54.57
75-6820	HOURLY METER	\$50.62
75-7570	KEY	\$4.38
75-7580-01	COVER-PLATE, RH	\$24.60
75-7590-01	COVER-DRIVE HOUSING, LH	\$24.60
75-7680-01	DEFLECTOR-GRASS ASM	\$45.60
75-8100	COVER	\$3.60
75-9440	HUB ASM	\$85.87
75-9670-01	FORK-CASTOR	\$116.41
75-9680-01	FORK-CASTOR	\$69.25
75-9831	HYD MOTOR ASM	\$1,036.69
75-9840	HYD MOTOR ASM	\$1,064.95
75-9990	HYD MOTOR ASM	\$586.04
76-0410	SPRING-COMPRESSION	\$3.03
76-0510	SLIDE - SEAT ADJ RH	\$36.30
76-0520	LATCH & SLIDE-SEAT ADJ	\$79.90
76-0800	SEAL KIT	\$48.43
76-0850	BEARING-THRUST	\$23.95
76-2460	BEARING ASM	\$30.03
76-2970	BUSHING-STRAIGHT	\$12.91
76-2980	WASHER-THRUST	\$4.17
76-3580	SPACER-BEDBAR AND SIDEPLA	\$1.26
76-3600-01	END PLATE-LH	\$32.61
76-3610-01	END PLATE	\$32.61
76-3620	BEDKNIFE (FAIRWAY)	\$48.81
76-4660	SPRING-DOOR	\$5.85
76-5050	ALTERNATOR	\$559.95
76-5220	ELEMENT-FILTER	\$8.03
76-8170	HOSE ASSY	\$47.72

Part Number	Description	Sale Price
76-8640	STUD-TRACTION	\$34.38
76-8870	DAMPER-LEVER	\$94.50
77-0300-01	HANDLE ASM	\$36.59
77-0330	HOUSING-PIVOT	\$41.06
77-0350	WASHER-THRUST, NYLON	\$0.53
77-0560	NUT - SPLINED	\$20.76
77-1060	ADJUST-HOC, RH	\$53.13
77-1080	ADJUST-HOC, LH	\$53.13
77-4340-01	BEDBAR-11 BLADE	\$261.96
77-4810	BLOCK-DEFLECTOR	\$5.89
77-5080-01	DRAG-SWIVEL	\$13.03
77-5320	TINE-SOLID, 5/16 X 3.25	\$6.13
77-6710-03	BLADE (21.5IN)	\$15.76
77-7330	PLUG-SPARK	\$3.50
80-1210	BLOCK-MOUNTING	\$19.41
80-1300	BOLT-SHOULDER	\$17.85
80-1460	ROD-SPRING	\$19.97
80-1470	SPRING	\$64.61
80-1680	L/H PIVOT BRKT & BSHG	\$41.01
80-1690	R/H PIVOT BRKT & BSHG	\$41.01
80-1860-03	HANDLE UPRIGHT ASM	\$55.40
80-1890	SPACER	\$4.17
80-2040	HOOK	\$6.14
80-2050	BOLT-SHOULDER	\$14.76
80-6990	WASHER-HARDENED	\$2.61
80-7342	HOSE-HYD	\$10.26
80-8650	COUPLING-DRIVE	\$20.95
80-9590	FILTER-WATER	\$20.80
8-1750	SPRING ARM	\$3.66
82-0660	ELEMENT-AIR CLEANER	\$16.89
82-2190	SWITCH-BAIL	\$10.99
82-3070-03	BLADE-9", THATCHER, 6PT	\$17.66
8-2490	SPHERICAL WASHER	\$3.17
82-4910	ROLLER	\$18.54
8-2530	COMB	\$13.67
8-2570	THRUST BEARING	\$3.69
82-6510-01	SUPPORT-HOC, RH	\$28.32
82-6530-01	SUPPORT-HOC, LH	\$28.32
82-6570	SHAFT-REEL	\$89.99
82-6600	SPACER (0.73 INCH)	\$2.99
82-6630-01	BRACKET ASM-HOC, RH	\$39.24
82-6650-01	BRACKET ASM-HOC, LH	\$39.24
82-6740	REAR SCRAPER ASM	\$32.48
82-6780-01	DEFLECTOR-REAR	\$44.35
82-6820	SPACER	\$3.99
82-6830-01	BRACKET-SCRAPER	\$12.22
82-9390	NUT-SPECIAL	\$5.59
83-0020	SWITCH-IGNITION	\$19.95
83-0030	CONTROL-THROTTLE	\$18.71
83-0040	CONTROL-CHOKE	\$14.95
83-0080	SPRING-PIVOT, LIFT	\$11.29
83-0160	SHAFT-BRAKE	\$65.85
83-0190-01	COVER-RH	\$16.44
83-0200-01	PLATE-COVER, LH	\$20.19
83-0540-01	TRACTION PEDAL ASM	\$39.88
83-0580	ROD-CONTROL, TRACTION	\$25.63
83-0630	ARM-PIVOT, TRACTION	\$15.32
83-0640-01	PLATE-FOOTREST	\$61.49
83-0700-03	HANDLE-LOCKUP	\$49.91
83-0730	SPACER-LOCKUP	\$5.36

PARTS LIST

PARTS LIST

Part Number	Description	Sale Price
83-0740	DISC-FRICTION	\$5.85
83-0750	CAPSCREW-HH, LH THREAD	\$13.55
83-0760	SPACER-PLATE, LOCKUP	\$5.08
83-0810	COVER-STEERING	\$63.16
83-0820	GAUGE - AMMETER	\$56.08
83-0830-01	PANEL-CONTROL, UPPER	\$70.52
83-0840-01	SHIELD-COVER, VALVE	\$22.73
83-0870	FITTING-HOSE, BARBED	\$29.58
83-0910	HOSE-INLET, PUMP	\$52.37
83-1031	MOUNT-ENGINE	\$25.78
83-1040	WASHER-FLAT	\$1.98
83-1050	SPACER	\$5.08
83-1060-03	ADAPTER-PUMP	\$126.77
83-1150	ENGINE GROUND WIRE ASM	\$11.66
83-1200	TUBE-TRACTION, LH (LOWER)	\$61.26
83-1220	PLATE-CLAMP	\$10.73
83-1270	SEAT SUPPORT ASM	\$164.25
83-1350	HOSE-HYD	\$34.53
83-1360	HOSE-HYD	\$27.10
83-1390	VALVE-SHUT-OFF, FUEL	\$24.14
83-1420	COLUMN-STEERING	\$133.69
83-1430	HOSE-LINE, RETURN	\$10.52
83-1630-03	BRACKET-SUPPORT, MUFFLER	\$67.77
83-1670	FITTING ASM	\$61.14
83-1680	HOSE-HYD	\$19.23
83-1690	HOSE-HYD	\$26.35
83-1700	BUSHING-FLANGE	\$3.23
83-1840-01	COVER-VALVE, RH	\$16.38
83-1890	SWITCH-BALL	\$28.16
83-2280	TIMER-DELAY	\$73.35
83-2310	SHIELD-REGULATOR	\$7.63
83-2380	SEAL REPAIR KIT	\$92.26
83-2420	POSITIVE CABLE ASM	\$11.05
83-2590	BOLT-SHOULDER, PIVOT	\$25.83
83-4720-01	SPRING-TORSION, RH	\$17.99
83-4730-01	SPRING-TORSION, LH	\$17.99
83-4740	BEARING	\$6.10
83-5400	RM5000 FRT WIEHLE SCRAPER	\$176.33
83-6930-01	R/H SCRAPER BRKT	\$4.17
83-6940-01	L/H SCRAPER BRKT	\$4.17
83-6950-01	R/H SCRAPER BRKT WA	\$10.66
83-6980-01	L/H SCRAPER BRKT WA	\$10.66
83-7000	HYD CYLINDER ASM	\$240.19
83-8590	CABLE - LIFT	\$24.48
83-9020	V-BELT	\$9.66
83-9310	RH BRAKE LEVER ASM	\$28.16
8-3980	SHAFT-ROLLER	\$33.10
8-3990	REAR ROLLER ASM	\$167.99
84-0810-01	SKID-CASTING, LH	\$58.44
84-0820-01	SKID-CASTING, RH	\$58.44
84-1990	ROD-ADJUSTING	\$12.35
84-2000-03	BRACKET-BRAKE	\$26.19
84-2190	SECTION SEAL KIT	\$90.54
84-2230-03	PIVOT ASM	\$29.94
84-2280-03	RAKE-FINISHING	\$14.74
84-2350	SPACER-LONG	\$4.71
84-2420-03	LIFT ARM ASM	\$195.95
84-2450	CHAIN-STRAIGHT, 4-LINK	\$4.17
84-2451	CHAIN-STRAIGHT, 5 LINK	\$4.45
84-2452	CHAIN-14 LINK, STRAIGHT	\$7.48

Part Number	Description	Sale Price
84-2453	CHAIN-LINK, 16	\$11.29
84-2460-03	BLADE ASM	\$233.73
84-2550-03	TROWEL-SMOOTH	\$10.52
84-2620-03	ANGLE ASM	\$225.25
84-2680-03	HANGER ASM	\$248.60
84-5300	NUT-JAM	\$5.15
84-5370	SPINDLE	\$139.66
84-6070	SHAFT-ROLLER	\$43.97
84-6080	WIEHLE ROLLER ASM	\$241.31
84-6090	BOLT-SHOULDER	\$4.52
84-6160	COLLAR AND BUSHING ASM	\$49.28
84-6180	FRONT ROLLER ASSEMBLY	\$294.00
84-8200	SEAL-OIL	\$7.21
84-8290	HYD CYLINDER ASSY	\$177.28
84-8600	SET-SHOES, LINED	\$86.00
84-8740	HOSE ASSY	\$47.86
85-0160-03	18 DEG SWEEP ASM	\$23.42
85-0290	SPACER-PIVOT, SEAT	\$3.33
85-0310-03	HANGER ASM	\$339.80
85-4650	CONNECTOR	\$9.74
85-4930	FILTER - OIL	\$7.29
85-4940	HOSE-HYD	\$57.90
85-5760	8-INCH CASTOR WHEEL ASM	\$64.59
85-6010	SHAFT-SPINDLE	\$66.14
85-6040-03	BLADE-25.18 INCH	\$19.58
85-6540	STUD-DRIVE	\$7.55
85-6610	SHAFT-STEERING	\$26.16
85-7190	WASHER-SHIELD	\$2.44
85-7220	REAR ROLLER ASM - 2"	\$108.72
85-8030	CHAIN	\$24.79
85-8120-03	PLATE-MOUNT, ENGINE	\$56.12
85-8290	TIRE-2PLY, KNOBBY	\$89.15
85-8360	GASKET-RING	\$10.81
85-8460	SWITCH ARM ASM	\$53.79
85-8730	HUB-ENGINE	\$64.74
85-8770	COUPLING	\$47.01
85-8940	FLANGETTE-RELUBE	\$4.92
85-8950	FLANGETTE-STANDARD	\$4.10
85-8960	SPACER	\$4.09
85-9020	KEY-SQUARE	\$0.71
85-9030	SPRING-EXTENSION	\$28.31
85-9120	SPACER-PIVOT, TILT	\$1.98
85-9150	PLATE-SWITCH	\$2.68
85-9180	SPROCKET-STEERING	\$21.31
85-9200	KNUCKLE-STEERING	\$49.22
85-9550	RUBBER CLAMP ASM	\$2.74
85-9670	NUT-T	\$2.23
85-9970	BEARING-BALL	\$7.16
86-0010-03	BLADE-19"	\$16.86
86-1960	V-BELT	\$36.68
86-1970	V-BELT	\$69.13
86-2120	ROLLER-LOCK	\$11.82
86-3010	FILTER-OIL	\$11.43
86-5350	BUMPER-RUBBER	\$26.19
86-5360	SEAL REPAIR KIT	\$35.51
86-5390	SEAL KIT	\$40.70
86-5910	TIRE-6 PLY	\$95.30
86-6110	FILTER-HYDRAULIC	\$77.06
86-6560	WASHER-THRUST	\$18.30
86-7330	SEAL KIT	\$34.25

Part Number	Description	Sale Price
86-7450	CABLE-GROUND	\$11.59
86-7610-03	MOUNT-SEAT	\$32.32
86-7640-01	BOX-LITTER	\$111.95
86-8100-01	BALL JOINT ASM	\$89.96
86-8101-01	JOINT-BALL, LH	\$64.64
86-8630	FILTER-WATER	\$21.25
86-9100	FILTER ASM	\$68.72
86-9120	TRAPPER-SEDIMENT	\$80.99
86-9140	SCREEN-MESH, 100	\$21.01
86-9720	TINE-HOLLOW, 3/4 X 5.75	\$4.20
86-9810-01	L/H PULL FRAME ASM	\$131.95
87-1430	JOINT-BALL	\$57.08
87-1490	SPRING-LEAF, REAR	\$252.90
87-1970	BEARING-MATCHED SET	\$85.03
87-2720-03	SHAFT-MASK	\$76.23
87-3200	V-BELT	\$10.11
87-3210	V-BELT	\$10.77
87-3290	TIRE (23X10.5-12) 4-PLY T	\$102.48
87-3470	BUMPER	\$10.99
87-3770	BUSHING-HOUSING, BELL	\$11.06
87-3920	BUSHING	\$2.63
87-4020	SPRING-EXTENSION	\$9.10
87-4260	CABLE-SELECTOR, GEAR	\$143.37
87-4760	BUSHING-RUBBER	\$4.14
87-5100	WASHER-SNUBBING	\$2.26
87-6630	WASHER-PLAIN	\$0.52
87-7270	WASHER-THRUST	\$0.43
87-8170	FITTING-90	\$28.87
87-8370	V-BELT	\$12.15
87-8640	WASHER-FLAT	\$0.54
87-9400	VALVE-VACUATOR	\$7.59
88-6330	SPRING-EXTENSION	\$4.09
88-6790	WIDE WIEHLE ROLLER ASM (\$167.80
88-6830	SPACER-FRAME, CARRIER	\$12.01
88-6870	EXTENSION-ARM, PULL	\$10.98
88-7580	SHAFT-WHEEL, TRANSPORT (L	\$21.22
88-7590	SHAFT-WHEEL, TRANSPORT (R	\$21.22
88-7840	PULLEY AND DRIVE ASM	\$166.11
88-7880	BEARING	\$16.72
88-8350	TAB-BEARING	\$4.31
88-8440-03	PLATE-TIPPER	\$7.34
88-8450	PRONG	\$2.79
88-8480	BRACKET-PIVOT	\$10.37
88-8990	BEDKNIFE-MACHINED	\$33.92
88-9000	BEDKNIFE-TOURNAMENT	\$33.91
88-9630-01	BRACKET-LIFT PIVOT, RH	\$30.04
88-9640-01	BRACKET-LIFT PIVOT, LH	\$30.04
88-9700	HOSE-HYD	\$30.48
92-0527	CARTRIDGE-CLEANER, AIR	\$10.50
92-0530	ELEMENT-FILTER	\$4.49
92-0586	PULL ARM ASM	\$31.07
92-1233	PIN-CLEVIS	\$8.55
92-1298	PIN-LYNCH	\$2.12
92-1655	10-INCH CASTOR WHEEL ASM	\$63.51
92-1705	FILTER-SCREEN	\$29.77
92-1715	SPACER	\$5.66
92-1719	HOSE ASM	\$81.93
92-1726	HOSE ASM	\$54.30
92-1727	HOSE ASM	\$73.37
92-1765	WASHER-THRUST	\$1.85

Part Number	Description	Sale Price
92-1815	SHAFT-C.U. PIVOT	\$24.88
92-1846	WIEHLE ROLLER ASM	\$263.60
92-2025	ALTERNATOR ASSY	\$698.89
92-2041	V-BELT	\$10.54
92-2153	PLUG-SPARK	\$3.20
92-2308-03	RH ARM ASM	\$231.81
92-2311-03	LH BRACKET ASM	\$61.26
92-2312-03	RH BRACKET ASM	\$61.26
92-2313-03	ARM-LIFT	\$42.98
92-2314	HANDLE	\$100.65
92-2315	BOLT-SHOULDER	\$23.93
92-2318-03	LH PLATE ASM	\$68.33
92-2319-03	RH PLATE ASM	\$68.33
92-2320	LEVER-LATCH	\$25.55
92-2323	PIN	\$12.99
92-2324	BRACKET-PIVOT	\$23.93
92-2325-03	LH BRACKET ASM	\$70.80
92-2326-03	RH BRACKET ASM	\$70.80
92-2343-01	PEDAL ASM	\$31.82
92-2344	TRUNNION	\$27.39
92-2379	CLAMP-HOSE	\$0.41
92-2538	MODULE-TIMER	\$87.94
92-2546	WIPER-SEAL	\$2.98
92-2601	RING-RETAINING	\$2.24
92-2739	PIN-CLEVIS	\$6.62
92-2762	PIN-HAIR	\$1.32
92-3086	ROD - SCRAPER	\$30.51
92-3087	BRACKET - SCRAPER	\$6.77
92-3187	V-BELT(3VX,37.00")3=1 MAT	\$33.14
92-3814	CHARCOAL AIR FILTER	\$191.30
92-4187	CROSS AND BEARING KIT	\$120.70
92-4284	SPACER-FLAIL PIVOT	\$1.04
92-4285	BLADE-FLAIL	\$0.93
92-5018-03	CLAMP-BATTERY	\$10.25
92-5035	STEERING POST ASM	\$60.14
92-5039	CHAIN-STEERING	\$24.07
92-5578-01	FORK-CASTOR, REAR ASM	\$69.20
92-5588	V-BELT	\$43.85
92-5604	SPINDLE SHAFT ASM	\$70.18
92-5606	SPACER-SPINDLE	\$14.63
92-5607	PULLEY AND HUB ASM	\$29.56
92-5608-03	BLADE	\$19.43
92-5816	BOLT-BLADE	\$3.37
92-5821	HEAD-FILTER	\$60.83
92-6282	SWITCH-SEAT	\$16.24
92-7160	CLIP	\$8.61
92-7179-01	PLATE-STOP, FORK	\$24.36
92-7186	TANK-FUEL	\$200.33
92-7302	NUT-LOCK, BEARING	\$7.33
92-7305	SPRING-EXTENSION	\$4.89
92-7534	HOSE-HYD	\$85.67
92-7536	HOSE-HYD	\$129.99
92-7538	HOSE ASM	\$80.49
92-7539	HOSE-HYD	\$82.18
92-7559	HYD HOSE ASM	\$80.53
92-7560	HYD HOSE ASM	\$65.51
92-7595	HOSE-HYD	\$56.85
92-7750-01	FORK-CASTOR	\$133.93
92-7768	SPRING-COMPRESSION	\$26.34
92-7900	TINE-SIDE EJECT, 3/4 X 5.	\$5.41

PARTS LIST

PARTS LIST

Part Number	Description	Sale Price
92-8690	STEERING CONTROL VALVE AS	\$771.98
92-8861	CAP-HOC	\$29.34
92-8862	HOC CAP ASM	\$33.39
92-8863	REPAIR KIT	\$35.41
92-8866	SPACER	\$4.61
92-8934	SPRING-EXTENSION	\$4.05
92-8972	CLAMP-SEAT	\$7.07
92-8973	ANGLE	\$7.48
92-8981	LIFT LEVER ASM	\$41.43
92-8983	PIVOT	\$18.71
92-8990	ADJUSTER-SLAVE	\$36.21
92-8991	ADJUSTER (W/LATCH)	\$48.25
92-8995	BUSHING	\$6.39
92-8997	COOLER-OIL	\$296.98
92-9165	SEAL	\$13.32
92-9167	CLUTCH-ROLLER	\$41.66
92-9199	MOTOR-WHEEL, HYD	\$651.17
92-9218	BELT-V, MATCHED SET	\$19.38
92-9231	SPRING-COMPRESSION	\$15.54
92-9250	SEAL-GREASE	\$5.52
92-9251	SLEEVE-WEAR	\$9.38
92-9252	BUSHING-FLANGE	\$4.60
92-9545	O-RING KIT	\$4.56
92-9657	COUPLING-QUICK DISCONNECT	\$131.56
92-9658	COUPLING-NOSE	\$45.88
92-9659	COUPLING-QUICK, BODY	\$91.78
92-9726	SPRING-COMPRESSION	\$16.19
92-9727	HOC CAP ASM	\$51.06
92-9749	SEAL KIT	\$23.91
92-9767	HOSE	\$41.80
92-9785	V-BELT	\$12.37
93-0181	TIRE (11-14) 8 PLY	\$171.15
93-0183	BELT-V, IMPELLER	\$134.08
93-0307	NUT-LOCK, RETAINER	\$1.69
93-0309	WASHER-TAB	\$2.84
93-1122	DECAL-DANGER	\$5.99
93-1251	SEAL-INNER	\$6.24
93-1252	SEAL-OUTER	\$12.32
93-1256	SHAFT - REAR ROLLER	\$42.21
93-1394	NUT-SPLINE	\$11.74
93-1414	SEAL-GREASE	\$3.60
93-2018	HOSE-RADIATOR	\$24.14
93-2075-01	BRAKE PEDAL ASM	\$113.10
93-2090	FAN-ENGINE	\$145.47
93-2092	CLAMP-CABLE	\$3.74
93-2096	LEVER-BRAKE	\$48.50
93-2190	AIR CLEANER ASM	\$115.97
93-2191	AIR CLEANER MOUNTING BAND	\$25.77
93-2242	OIL FILTER ASM	\$137.36
93-2254	HYD HOSE ASM	\$32.14
93-2255	HYD HOSE ASM	\$32.50
93-2256	HYD HOSE ASM	\$32.92
93-2258	HYD HOSE ASM	\$21.85
93-2264	HOSE ASM	\$35.61
93-2270	HYD HOSE ASM	\$58.53
93-2279	CLAMP-CABLE	\$5.02
93-2322	CONTROL-THROTTLE (DIESEL)	\$21.68
93-2329	CONTROL- CHOKE	\$21.68
93-2368	BUSHING-FLANGE	\$2.72
93-2384	SPACER-CARRIER	\$6.92

Part Number	Description	Sale Price
93-2454	NUT-LOCK, TAPERED	\$2.33
93-2463	ROLLER-LIFT	\$8.57
93-2464	SPACER-ROLLER	\$5.08
93-2466	SHAFT-ROLLER	\$38.19
93-2470	SHAFT - ROLLER	\$38.73
93-2489	BEARING	\$17.61
93-2511-01	BEDBAR	\$144.10
93-2516	SPRING - COMPRESSION	\$4.95
93-2518	HOUSING-PIVOT	\$21.49
93-2522	ARM-SPRING	\$5.85
93-2525	RING-RETAINING	\$0.47
93-2545	SCREW-PIVOT	\$6.65
93-2549	NUT-ADJUSTER	\$18.71
93-2550	ADJUSTOR ASM	\$29.67
93-2551	SEAL-BASKET	\$3.60
93-2559	BEARING-BALL	\$10.92
93-2562	SPRING-COMPRESSION	\$6.41
93-2569	SCREW-HHF	\$1.60
93-2576-01	BEDBAR	\$138.58
93-2877	BUSHING	\$3.07
93-2887	SHAFT-ROLLER, FRONT	\$39.98
93-2891	BUSHING-PLASTIC	\$1.67
93-2892	PIVOT-BEDBAR, MANUAL ADJ	\$2.61
93-2904-01	BRKT.-HOC, REAR (MACH)	\$23.42
93-2906	PIN - HOC	\$23.01
93-2921	SPRING - COMPRESSION	\$3.74
93-2931	WASHER-ROLLER	\$2.17
93-2959	SPACER-ADJUSTER	\$2.21
93-2981-01	SIDEPLATE-RH, WELDED	\$47.14
93-2998-01	SHIELD - RH	\$23.63
93-3007	SEAL-OIL	\$2.93
93-3038-03	BLADE-DETHATCHER	\$3.76
93-3080-03	HOUSING, END CAP	\$53.72
93-3102	CAP-FUEL	\$22.46
93-3577	ALTERNATOR ASSY	\$397.08
93-4034	V-BELT	\$158.37
93-4132	O-RING	\$4.80
93-4133	SEAL-LIP	\$22.85
93-4239	RIM-WHEEL, HALF	\$13.91
93-4240	10 INCH WHEEL ASM	\$100.66
93-4241	SPACER-BEARING, INNER	\$10.26
93-4242	PLATE	\$4.35
93-4243	TIRE	\$39.98
93-4244	TUBE-INNER (W/VALVE)	\$8.31
93-4262	BEDKNIFE-MICROCUT (21IN G	\$33.91
93-4263	BEDKNIFE-TOURNAMENT CUT (\$36.60
93-4264	BEDKNIFE-LOW CUT (21IN GR	\$35.75
93-4510	BUSHING-CASTER	\$5.96
93-4582	SHAFT-CASTOR	\$108.38
93-4583-01	MOUNT-JOINT, BALL	\$67.95
93-4628	WASHER	\$4.01
93-4632	WASHER-WAVEY	\$2.93
93-4696	PIN-HITCH	\$4.46
93-4747	WHEEL-GAGE	\$18.32
93-4764	SPANNER-WHEEL	\$4.54
93-4803	ROLLER-DECK	\$21.76
93-4806	BOLT/AXLE-WHEEL	\$4.05
93-4824	FORK-CASTOR	\$68.58
93-4825	KIT-SPACER & BEARING	\$86.29
93-4838	V-BELT, HEX	\$63.57

Part Number	Description	Sale Price
93-4839	V-BELT	\$28.49
93-4982	BLADE-COMBINATION	\$19.03
93-5023	SPACER	\$4.39
93-5265	MOUNT-ENGINE	\$48.58
93-5385	HOSE ASM	\$91.29
93-5431	TIRE (25X10.5-15) 6-PLY	\$179.98
93-5547	BUSHING-NYLON	\$4.31
93-5630	SPACER-BEARING, INNER	\$12.42
93-5957	CAP-RADIATOR	\$14.39
93-5961	BOOT-LEVER	\$29.94
93-5973	10IN FOAM FILLED WHEEL AS	\$174.08
93-5974	8 INCH FOAM FILLED WHEEL	\$131.36
93-5980	HUB	\$43.92
93-5988	HUB-PIVOT	\$16.60
93-6048	BRACKET-HOC, RH	\$24.85
93-6049	BRACKET-HOC, LH	\$24.85
93-6051	SCREW-HOC	\$20.76
93-6053-01	BEDBAR-STANDARD	\$188.48
93-6069	GRASS SHIELD ASM	\$59.24
93-6090	ARM-HOC	\$46.77
93-6212	FELT FILTER	\$5.11
93-6587	BEARING	\$4.90
93-6688	DECAL-DANGER	\$1.98
93-6689	DECAL-NO RIDERS	\$6.14
93-6696	DECAL-WARNING	\$8.31
93-6789	HOSE-HYD	\$41.33
93-6790	HOSE-HYD	\$55.38
93-6797	HOSE ASM	\$56.00
93-6838-03	HUB-WHEEL	\$53.50
93-6840	V-BELT	\$21.37
93-6841	PULLEY	\$113.02
93-6842	BUSHING-LOCK, TAPER	\$34.59
93-6850	LEVER-BRAKE	\$31.90
93-6855	HSG. WA - BEDBAR ADJ	\$22.17
93-6857	HOSE-SUCTION	\$20.69
93-6887	HOSE-HYD	\$35.35
93-6960	COVER-HOLDER, BEARING	\$5.40
93-6981	SPACER	\$4.23
93-7128	DRUM-BRAKE	\$145.94
93-7140	V-BELT-PUMP	\$11.18
93-7160	CAP-OIL, HYD	\$22.04
93-7486	CLAMP ASM	\$29.01
93-7498	PLUG-PLASTIC	\$13.49
93-7500	SPECIAL METRIC CAPSCR M10	\$16.51
93-7501	BUSHING ASM	\$3.28
93-7502	BUSHING-FLANGED	\$1.31
93-7510	RING-QUAD	\$0.63
93-7522	SCREW-HH	\$1.55
93-7629	PAD-FOOT, BRAKE	\$6.00
93-7630	PAD-FOOT	\$4.45
93-7631	PAD-FOOT, LIFT	\$4.45
93-7769	ROD-SUPPORT, FRAME	\$21.43
93-7775	BEARING-BALL	\$90.10
93-7818	DECAL-TORQUE, BLADE BOLT	\$5.19
93-8062	DECAL-BRAKE, PARKING	\$2.90
93-8063	DECAL-CAUTION, CE	\$10.31
93-8064	DECAL-DANGER, CE	\$2.33
93-8065	DECAL-TRACTION	\$4.66
93-8075	DECAL-MOW/LIFT	\$3.89
93-8409	BLADE - 22"	\$20.63

Part Number	Description	Sale Price
93-8457	V BELT-HEX	\$56.87
93-8584	SPARK PLUG	\$3.04
93-8626	SCREW ASM	\$11.12
93-8636	ELEMENT-FILTER, AIR	\$15.66
93-8637	ELEMENT-FILTER, AIR	\$3.98
93-8684	FILTER-FUEL	\$16.95
93-8806	WASHER-HARDENED	\$1.30
93-8823	COUPLER-MOTOR, REEL	\$55.22
93-8825	COUPLER-REEL, RH THREAD	\$59.14
93-8826	COUPLER-REEL, LH THREAD	\$59.14
93-8827	COUPLER-SPIDER	\$20.05
93-8849	REAR GRASS SHIELD ASM	\$56.84
93-9015	BEDKNIFE-LOWCUT	\$50.21
93-9017	ROD-BASKET, RH	\$16.01
93-9018	ROD-BASKET, LH	\$16.01
93-9039	WIEHLE ROLLER ASM (26IN)	\$247.75
93-9043	WASHER-SPRING, BELLEVILLE	\$1.21
93-9045	LONG WIEHLE ROLLER ASM (2	\$356.83
93-9049-01	BEDBAR	\$199.59
93-9051	DECAL-BOLT, ECCENTRIC	\$10.31
93-9052	DECAL-DANGER	\$13.55
93-9078	DECAL-SAFETY	\$6.43
93-9151	FITTING-HYD	\$24.48
93-9164	INDICATOR-MINI	\$29.50
93-9774	BEDKNIFE (FAIRWAY)	\$43.50
93-9783	O-RING	\$1.12
93-9793	RING - SEAL	\$6.14
93-9794	RH BEARING HOUSING ASM	\$72.84
93-9795	LH BEARING HOUSING ASM	\$72.84
93-9879	DECAL-WARNING	\$2.97
93-9898	DECAL-LOCK	\$3.80
93-9901-01	BRACKET-LOCKOUT, MOW	\$53.79
93-9903	PIN-MOW, LOCKOUT	\$30.57
93-9904	ARM-MOW, LOCKOUT	\$13.71
93-9934	TRACTION HANDLE ASM	\$38.89
93-9936	BRACKET-RETURN, TRACTION	\$4.82
93-9937	TRACTION CABLE ASM	\$14.11
93-9938	WHEEL ASM	\$82.90
93-9939	TIRE	\$26.98
93-9999	SWITCH-PTO	\$27.84
94-0694	PREMIUM ROLLER ASM - 2 1/	\$245.50
94-0695	TUBE ASM - REAR ROLLER	\$125.13
94-1291	BUSHING	\$5.29
94-1304	CABLE-LOCK, NEUTRAL	\$84.69
94-1328	HOSE ASM	\$37.28
94-1369	SPRING-EXTENSION	\$8.32
94-1374	TRUNNION-BRACKET, MOW	\$10.99
94-1375	TRUNNION-BRACKET, LOCK	\$10.99
94-1378	TUBE-PIVOT, HANDLE	\$5.24
94-1382	COLLAR - HOC	\$6.77
94-1383	PEDAL-PIVOT	\$138.07
94-1386	SHAFT-PEDAL	\$21.79
94-1433	HYD HOSE ASM	\$87.77
94-1861-03	BLADE-24.75IN	\$22.60
94-2500	TUBE-SPACER, WHEEL	\$1.55
94-2621	ELEMENT-FILTER	\$45.31
94-2660	GASKET-FLANGE	\$7.07
94-2690	FILTER-FUEL	\$3.49
94-2694-01	COVER-RH	\$25.05
94-2701	WASHER-HARDENED	\$0.80

PARTS LIST

PARTS LIST

Part Number	Description	Sale Price
94-2702	SCREW-HH	\$2.12
94-2703	PLUG	\$1.21
94-2710	BEARING	\$22.43
94-2732	INSERT-THREADED, RH	\$12.72
94-2733	INSERT-THREADED, LH	\$12.72
94-2738	SCREW- CARR SN,M8X1.25X25	\$0.77
94-2747	TAB-STOP	\$6.28
94-2958	STUD/BALL	\$3.11
94-3256	BELT	\$21.92
94-3405	BEARING-BALL	\$15.71
94-3477	HYD HOSE ASM	\$31.23
94-3489	SCREW-HH	\$1.47
94-3559	SCREW-HSH	\$5.85
94-3621	FRONT GRASS SHIELD ASM	\$48.87
94-3695-01	PLATE-SIDE REEL, RH	\$36.92
94-3697-01	LH SIDE PLATE ASM	\$36.92
94-3829	PIN-CLEVIS	\$2.26
94-3951	FILTER	\$21.93
94-4208	HOURMETER	\$126.66
94-4307	NUT-HEX, LOCK	\$0.91
94-4328	SHAFT - REAR ROLLER	\$42.36
94-4329	SHAFT-FRONT ROLLER	\$42.36
94-4335	TUBE ASM-REAR ROLLER	\$136.05
94-4507	COUPLER-SPLINED	\$9.58
94-4543	SPRING-WIRE, FLAT	\$3.95
94-4544	SPACER	\$5.31
94-4548	BUMPER-RECESSED	\$2.32
94-4969	REAR GRASS SHIELD ASM	\$65.98
94-4982	FULL ROLLER ASM	\$179.69
94-4993	WIEHLE ROLLER ASM (32" C/	\$249.84
94-5053	FRONT GRASS SHIELD ASM	\$55.40
94-5079	BEDKNIFE-LOWCUT	\$44.48
94-5236	TIRE	\$113.75
94-5261	TIRE (20X10-10) 4-PLY RIB	\$100.43
94-5350	FITTING-TEE	\$140.63
94-5357	HOSE ASM	\$147.78
94-5358	HOSE ASM	\$144.01
94-5381-01	CASTER FORK ASM	\$105.17
94-5383-01	CASTOR FORK ASM	\$81.06
94-5586-01	BAR ASM-LIFT, LH ARM	\$54.85
94-5588-01	BAR ASM-LIFT, R/H	\$54.85
94-5780	SCREW-HWH	\$4.12
94-5850	SPINDLE-DRUM	\$79.90
94-5858	WASHER	\$0.90
94-5870	CABLE-CLUTCH	\$24.42
94-5879	BAR-CUT OFF	\$13.81
94-5885	BEDKNIFE-TOURNAMENT	\$50.01
94-5979	GASKET	\$5.99
94-6116	WHEEL-REAR	\$97.84
94-6363	BEARING	\$28.99
94-6368	BEARING	\$29.46
94-6392	BEDKNIFE-HIGHCUT (21IN GR	\$36.02
94-6394	BEDKNIFE, TOURN-CUT, (GRE	\$36.02
94-6395	BEDKNIFE, LOWCUT, GR	\$35.66
94-6396	BEDKNIFE, HIGHCUT,(GREENS	\$36.03
94-6710	FUSE-2 AMP	\$1.98
94-6826	STRAINER-FUEL	\$18.29
94-6936	WASHER-HARDENED	\$0.67
94-7227	FILTER	\$1.35
94-7372	ELEMENT-BRUSH, POLY	\$22.05

Part Number	Description	Sale Price
94-8170	BRACKET-FRONT	\$17.71
94-8171	FRONT WIEHLE ROLLER ASM	\$283.70
94-8196	WASHER-NYLON	\$3.98
94-8197	TUBE-PIVOT	\$11.36
94-8198	PIN	\$14.79
94-8199	TUBE-PIVOT	\$12.18
94-8693	WHEEL ASM	\$118.17
94-8908	SEAL - GREASE	\$4.73
94-8936	BEDKNIFE, LC, EXT, RM (FA	\$43.13
94-8945	BUSHING	\$2.42
94-9024	LAMP ASM	\$103.22
94-9202	SHAFT-DETHATCHER	\$85.26
94-9210	SHAFT-WHEEL, REAR	\$39.05
94-9211	WHEEL ASM	\$16.55
94-9213	COLLAR-SHAFT	\$2.65
94-9214	NUT-SPLINE, LH	\$11.74
94-9219	SCRAPER-ROLLER, RH	\$3.73
94-9220	SCRAPER-ROLLER, LH	\$3.73
94-9226	BRACKET-SCRAPER	\$25.61
94-9411	DIPSTICK	\$25.63
94-9609	BUSHING-STRAIGHT	\$8.61
94-9610	BUSHING-FLANGE	\$2.72
94-9611	HANDLE	\$94.96
94-9614	PIVOT-ROLLER	\$32.02
94-9617	PIN-SPRING	\$17.80
94-9618	SPACER-SPRING	\$13.98
94-9619	BUSHING	\$16.45
94-9620	SPRING-TORSION	\$13.33
94-9625	R.H. CARRIER ASM - GR3200	\$239.53
94-9648	BALL STUD	\$19.02
95-0532	RUBBER BUSHING ASM	\$6.53
95-0550	MANIFOLD-EXHAUST	\$89.78
95-0551	TUBE-EXHAUST	\$30.57
95-0552	MUFFLER	\$203.45
95-0555	HOSE-SUCTION	\$9.04
95-0556-03	BASE-ENGINE	\$93.60
95-0559	TUBE-RH, REAR	\$29.94
95-0563	TUBE-LH	\$63.53
95-0564	TUBE-RH, FRONT	\$29.94
95-0568-01	BRACKET-BULKHEAD	\$9.04
95-0575	TUBE-VALVE, SHUTTLE	\$30.84
95-0576-03	BASE-TANK, FUEL	\$106.02
95-0577	FITTING-BULKHEAD	\$30.42
95-0582	HOSE-INTAKE, AIR	\$41.09
95-0584	ROD-CONTROL	\$50.48
95-0586	CLAMP ASM	\$2.47
95-0590-03	BASE-TANK, HYD	\$18.71
95-0591	HOSE-HYD	\$52.13
95-0592	HOSE ASM	\$43.85
95-0594	FITTING-CAP	\$5.58
95-0595	HOSE-HYD	\$59.79
95-0599	WIRE ASM	\$21.25
95-0600-01	FRAME ASM	\$1,512.60
95-0601-01	VALVE SHROUD ASM	\$57.26
95-0610	ENGINE COVER ASM	\$299.43
95-0611	BRACKET-RH	\$16.11
95-0612	BRACKET-LH	\$16.11
95-0620-01	STRIP-RETAINER	\$7.48
95-0621	WHEEL AND TIRE ASM	\$176.26
95-0625	ROD-TRAVERSE	\$44.26

Part Number	Description	Sale Price
95-0632-03	COVER	\$17.30
95-0636	LEVER-BRAKE	\$87.39
95-0637-03	PLATE-SEAT	\$64.73
95-0642	LOCKNUT-BULKHEAD	\$2.74
95-0643	TUBE-VALVE TO COOLER	\$41.93
95-0646	DECAL-SERVICE	\$8.49
95-0647	DECAL-CONTROL	\$9.66
95-0648	DECAL	\$11.16
95-0707	BEARING-ALIGNING, SELF	\$21.61
95-0728	BELT-DRIVE, POLY-V	\$9.00
95-0745	SCREW-TAPERED	\$9.12
95-0772	SPRING-COMPRESSION	\$3.38
95-0930	FULL FRONT ROLLER ASM (26	\$222.08
95-1629	HINGE-LOWER	\$6.44
95-1633	HOC ADJUST ASM	\$18.15
95-1634-01	FRAME-REEL ASM	\$188.99
95-1635-01	REEL FRAME ASM	\$245.30
95-1636	STRIP-SEAL	\$3.44
95-1638	BRACKET-REAR, HOC ADJUST	\$29.75
95-1642-01	WEIGHT-COUNTER	\$26.35
95-1653	SWITCH-POLE, SINGLE	\$13.24
95-1811	V-BELT	\$11.59
95-1828	HUB-GEAR, RING	\$52.62
95-2450	DIAPHRAM CAP 20PSI	\$4.23
95-2625	TIRE (18X8.5-10) 4-PLY	\$76.85
95-2638	TIRE (24X13-12) 4-PLY	\$133.23
95-2741	RIM-WHEEL, HALF	\$13.27
95-2789	NUT-CONE	\$2.99
95-2790	NUT-CONE, TALL	\$7.76
95-2793	NUT-ADJUSTMENT, BEARING	\$13.86
95-2903	ANGLE-BASKET SEAL	\$10.61
95-2907	HOSE ASM	\$78.61
95-2908	HOSE-HYD	\$77.31
95-2909	HOSE-HYD	\$77.64
95-2910	ROLLER ASM	\$127.09
95-2912	SHAFT-ROLLER	\$42.36
95-2932	BRACKET-PULLEY	\$120.97
95-2941-01	STEERING ARM	\$331.49
95-3070	BLADE & BELT KIT	\$63.63
95-3071	BLADE AND BELT KIT	\$71.45
95-3072	BLADE & BELT KIT	\$120.44
95-3073	KIT-BLADE AND BELT	\$97.03
95-3076	WHEEL KIT-CASTOR	\$279.72
95-3077	CASTER WHEEL KIT	\$138.38
95-3078	SPINDLE KIT - GM2XX 52"	\$362.83
95-3079	SPINDLE KIT	\$424.21
95-3081	KIT-SPINDLE	\$297.92
95-3082	10-INCH CASTER WHEEL KIT	\$68.90
95-3083	8-INCH CASTER WHEEL KIT	\$69.93
95-3084	CASTOR WHEEL KIT	\$51.53
95-3085	CASTER WHEEL SET KIT	\$277.67
95-3086	WHEEL SET KIT,72"RD	\$240.86
95-3087	BLADE & BELT KIT	\$125.77
95-3088	BLADE & BELT KIT	\$109.83
95-3089	LH SPINDLE ASM	\$312.29
95-3090	CENTER SPINDLE ASM	\$312.29
95-3091	SPINDLE KIT	\$247.68
95-3094	BLADE & BELT KIT	\$139.65
95-3095	RH SPINDLE ASM	\$312.29
95-3147	BEDKNIFE-MICRO CUT	\$33.91

Part Number	Description	Sale Price
95-3348	TIRE	\$108.98
95-3465	TIRE	\$244.95
95-3577	BUSHING	\$6.53
95-3703	WASHER-SPRING, WAVE	\$1.31
95-4256	SPRING-COMPRESSION	\$1.24
95-4356	FITTING	\$49.39
95-4387	SPINDLE SHAFT ASM - CTR	\$101.79
95-4389	KIT-OVERHAUL	\$150.71
95-5622	HANGER-RUBBER	\$19.55
95-5719	BLADE-GROOMER	\$0.79
95-5805	AIR CLEANER ASM	\$78.91
95-5806	BRACKET-MOUNTING, AIR CLE	\$17.01
95-5807	SPACER	\$4.66
95-5817	FRONT SHIELD ASM	\$219.32
95-5825	WIRE ASM	\$17.78
95-5826	SHIELD-RUBBER	\$24.48
95-5833	GUIDE-LEVER	\$2.46
95-5840-03	SHIELD-BASE, SEAT	\$26.89
95-5942	ELEMENT-BRUSH, WIRE (OPTI	\$31.98
95-5943	ROLLER ASM	\$150.05
95-5946	SHAFT-ROLLER	\$39.03
95-5959-01	PULLEY SUPPORT ASM	\$34.51
95-5965	CABLE-STEERING	\$44.20
95-5966	HOSE-INLET, PUMP	\$61.20
95-5984	HOSE-HYD	\$36.12
95-5985	HOSE-HYD	\$37.68
95-5986	HYD HOSE ASM	\$37.68
95-5987	HOSE-HYD	\$34.35
95-5988	HOSE-HYD	\$34.24
95-5989	HOSE-HYD	\$30.78
95-6448	SPACER	\$6.29
95-7119	HOSE-LINE, RETURN	\$40.31
95-7140-01	TUBE CAP ASM	\$6.43
95-7148	HOUSING-BEARING	\$36.05
95-7149	PULLEY-STEERING, FRONT	\$39.95
95-7158	PIN-PIVOT	\$72.36
95-7497	BUSHING-WHEEL	\$1.36
95-7733-01	BRKT.- HOC, MACH.	\$28.25
95-8531	SHAFT-PIVOT, LIFTARM	\$67.06
95-8568-03	FRAME-LOWER	\$388.13
95-8575	PIN-CLEVIS	\$10.34
95-8581	2-SPOOL CONTROL VALVE ASM	\$688.80
95-8601	GEAR PUMP ASM	\$737.99
95-8620	TANK-FUEL	\$205.75
95-8689	SINGLE SPOOL CONTROL VALV	\$408.94
95-8694	HYD MOTOR ASM	\$1,013.22
95-8724-03	SCREEN-HOOD	\$501.55
95-8730	V-BELT	\$25.86
95-8739-01	BEDBAR	\$200.95
95-8748-01	BEDBAR	\$220.33
95-8752	ARM-SPRING	\$7.47
95-8753-01	27 INCH REEL FRAME ASM	\$237.60
95-8755-01	REEL FRAME ASM	\$209.21
95-8783	TUBE ASM	\$99.46
95-8784	TUBE ASM	\$104.99
95-8796-03	SUPPORT-BATTERY	\$78.46
95-8802	PULLEY-IDLER	\$47.90
95-8803	BUSHING-FLANGE	\$4.96
95-8805	BUSHING	\$26.60
95-8826	HOSE ASM	\$82.30

PARTS LIST

PARTS LIST

Part Number	Description	Sale Price
95-8827	HOSE ASM	\$78.75
95-8828	HOSE ASM	\$52.72
95-8835	HOSE ASM	\$91.56
95-8836	HOSE ASM	\$81.80
95-8837	HOSE ASM	\$41.41
95-8840	HOSE ASM	\$63.90
95-8843	HOSE-HYD	\$56.69
95-8853	CABLE-BATTERY, POSITIVE	\$40.39
95-8854	CABLE-BATTERY, NEGATIVE	\$51.70
95-8861	SLIDE	\$79.10
95-8884	CLAMP	\$20.44
95-8904-03	BRACKET-CLAMP	\$29.75
95-8905-01	FORK-REAR	\$488.61
95-8933-03	PLATE-MOUNT, PUMP	\$59.90
95-8971	GAUGE-FUEL	\$49.33
95-8972	GROMMET	\$5.93
95-8979	SHAFT	\$28.78
95-8980	TUBE ASM	\$81.71
95-8981	TUBE ASM	\$87.35
95-8982	TUBE ASM	\$190.34
95-8990	SHAFT-PIVOT, REAR	\$36.02
95-8999	SWITCH	\$22.05
95-9185	CLAMP	\$9.32
95-9186	CAP	\$4.66
95-9188	NOZZLE SS 1.GPM	\$18.82
95-9191	O-RING	\$0.74
95-9193	CAP-DIAPHRAM	\$4.23
95-9221	NOZZLE SS .2GPM	\$18.82
95-9222	NOZZLE SS .4GPM	\$18.82
95-9223	NOZZLE SS .5GPM	\$18.82
95-9224	NOZZLE SS .6GPM	\$18.82
95-9225	NOZZLE SS .8GPM	\$18.82
95-9226	NOZZLE SS 1.5GPM	\$18.82
95-9648	KNOB	\$9.88
98-0152	KNOB-TAPERED	\$12.09
98-0616	MUFFLER	\$73.99
98-0642	HYD HOSE REPLACEMENT KIT	\$200.31
98-0646	HOSE-HYD, TRACTION, RH (U	\$101.40
98-0647	HOSE-HYD, TRACTION, RH (L	\$88.30
98-0648	HYD HOSE ASM	\$88.84
98-0649	HOSE-HYD	\$29.12
98-0668	NUT	\$1.83
98-0917	ROD-PROP	\$34.59
98-0924-01	GUIDE-CHAIN	\$118.93
98-0925	BRACKET-CHAIN	\$16.44
98-0973	PIN-GROOVED	\$0.83
98-0996	STEERING SHFT KIT-SANDPRO	\$22.72
98-1450	RM5000 REAR ROLLER SCRAPE	\$238.10
98-1471	WHEEL-STEERING	\$81.10
98-1483	SCREW-LINK, PULL	\$21.31
98-2150	HOSE-HYD	\$33.26
98-2153	HYD HOSE ASM	\$82.94
98-2160	VOLTMETER	\$43.59
98-2161	CABLE-BATTERY, POSITIVE	\$19.84
98-2178	SCREW - HSFH	\$5.31
98-2181	5 BLD REELHD GR3200 (FAIR	\$250.15
98-2194	SLEEVE-GREASE	\$3.95
98-2196	ROD-SHIELD	\$14.66
98-2330	PIVOT PIN ASM	\$26.17
98-2389	SPACER-LINK, PULL	\$5.29

Part Number	Description	Sale Price
98-2859	CASTOR WHEEL ASM	\$55.00
98-2947	V-BELT - ALTERNATOR	\$14.04
98-2982	FILTER-ELEMENT, SAFETY	\$17.03
98-3551	GRASS SHIELD ASM	\$80.38
98-3587-01	FRAME-DETHATCHER ASM	\$177.41
98-3921	BELT	\$11.24
98-3999	FLAP-SIDE	\$2.12
98-4166	BUSHING	\$1.74
98-4583	HYD HOSE ASM	\$66.32
98-4584	HYD HOSE ASM	\$50.98
98-4587	HYD HOSE ASM	\$57.75
98-4590	HOSE-HYD	\$42.42
98-4639	BEARING-CONE	\$52.83
98-4871	BUSHING-TENSION	\$10.51
98-5208	BEARING-ROLLER	\$25.54
98-5215	BEARING-BALL, RADIAL	\$8.74
98-5918	GRASS SHIELD ASM	\$51.96
98-5920-01	SCRAPER-WIEHLE ASM	\$23.72
98-5933	BAR-CUT OFF	\$46.73
98-7068-01	CASTOR FORK ASM	\$63.74
98-7257	FULL FRONT ROLLER SCRAPER	\$55.70
98-7260	BEDKNIFE-TOURNAMENT CUT	\$33.77
98-7261	BEDKNIFE-MICROCUT	\$33.96
98-7264	WIDE WIEHLE ROLLER (18IN,	\$169.01
98-7300-01	FORK-CASTOR ASM	\$203.45
98-7302-01	FORK-CASTOR	\$248.60
98-7312	12 INCH WHEEL ASM	\$235.27
98-7313	TIRE-12 INCH	\$53.28
98-7400	HOSE ASM	\$136.72
98-7401	HOSE ASM	\$181.51
98-7402	HOSE ASM	\$151.69
98-7403	HOSE ASM	\$168.17
98-7404	HOSE ASM	\$139.60
98-7406	HOSE ASM	\$87.98
98-7407	HOSE ASM	\$88.31
98-7408	HOSE ASM	\$78.18
98-7410	HOSE ASM	\$81.91
98-7413	HOSE ASM	\$86.92
98-7419	ELEMENT-BREATHER	\$1.05
98-7612	FILTER-FUEL	\$6.25
98-7693	ALTERNATOR ASM	\$362.10
98-7705	V-BELT	\$16.61
98-7769	STUD	\$0.72
98-7912	TUBE-SPANNER	\$5.31
98-7913	TUBE-SPACER	\$5.26
98-7921-01	FORK-CASTOR ASM	\$63.74
98-7966	ROLLER ASM-2 1/2 DIA	\$203.53
98-7978	FRONT GRASS SHIELD ASM	\$98.19
98-8153	HOSE-RETURN	\$5.93
98-8159	PIVOT	\$32.97
98-8173	PIN-PIVOT, AXLE	\$54.21
98-8676	DECAL-CAUTION	\$6.78
98-8677-01	INSERT-STANDARD	\$58.73
98-8687	DECAL-PRESSURE, AIR	\$4.45
98-8688	DECAL-CAUTION	\$18.79
98-8690	HUB ASM	\$78.64
98-8691	WHEEL ASM	\$124.64
98-8754	LATCH-RAMP	\$13.48
98-8756	SPACER-STOP	\$8.13
98-8759	HINGE-ROD	\$29.77

Part Number	Description	Sale Price
98-8761-01	GUIDE-WHEEL	\$25.55
98-8766-01	AXLE ASM	\$63.70
98-8775	MAT-RAMP	\$61.26
98-8776	MAT-BED	\$110.67
98-8777	SPACER	\$3.15
98-9305	WATER / FUEL FILTER ASM	\$86.75
98-9311	SWIVEL-THROTTLE	\$15.03
98-9416	SWITCH-OIL	\$20.90
98-9493	ELEMENT-BREATHER	\$2.34
98-9676	V-BELT	\$17.19
98-9705	STARTER ASM	\$459.98
98-9764	ELEMENT	\$29.06
99-0815	O-RING - DUST SEAL, VITON	\$2.63
99-0853	NOZZLE FILTERS 50 MESH	\$5.02
99-1091	TIRE	\$111.70
99-1268	CASTOR WHEEL ASM	\$67.17
99-1283	SPACER	\$10.69
99-1291	SPACER	\$6.65
99-1297	IDLER ARM ASM	\$45.69
99-1453	CARRIER ASM - CENTER	\$277.17
99-1454	CARRIER ASM - LH	\$221.21
99-1456	PAD-UNIT, CUTTING	\$9.69
99-1460	BALL JOINT RECEIVER ASM	\$10.69
99-1469	HOSE-RADIATOR	\$23.13
99-1611	SHAFT	\$79.17
99-1612	BLADE-SPIKER	\$23.91
99-1613	SPACER	\$5.15
99-1615	REAR ROLLER ASM	\$192.00
99-1635	SPACER	\$12.70
99-1637-01	PLATE-SCRAPER	\$13.42
99-1644	DASH SHROUD ASM	\$208.73
99-2022	BELT	\$15.73
99-2023	BELT-DRUM	\$17.75
99-2047	BUSHING	\$4.79
99-2079	SPACER	\$6.78
99-2087	SPACER	\$25.97
99-2093	NUT-ADJUSTER, BEDBAR	\$19.38
99-2096	SCREW-ADJUSTER, BEDBAR	\$33.49
99-2097	DETENT	\$8.31
99-2098	WASHER	\$1.83
99-2318	V-BELT	\$16.64
99-3139	NUT	\$10.98
99-3373	BAR-SUPPORT, SLIDE	\$5.63
99-3404	HOUSING-BEARING	\$53.14
99-3412-03	PULLEY	\$122.83
99-3439	HOSE ASM	\$73.16
99-3472	WEIGHT-LEAD	\$16.51
99-3478	TREAD-FOOT	\$20.88
99-3514	COVER	\$7.63
99-3545	SPACER	\$3.53
99-3619	BELT-3V	\$44.95
99-3620	PULLEY-3V, PUMP	\$64.40
99-3623-03	ARM-IDLER	\$70.11
99-3624	SHAFT-PIVOT, IDLER	\$43.16
99-3626	PULLEY-3V	\$178.15
99-3631	BUSHING-FLANGE	\$13.20
99-3641	CLAMP-TUBE	\$3.62
99-3757	COUPLING-FLEX	\$121.41
99-3767	NUT-LOCK, BEARING	\$16.35
99-3773	BOLT-PLOW	\$7.93

Part Number	Description	Sale Price
99-3782	SCREW-HOC	\$24.72
99-3792	BRACKET-ROLLER, REAR	\$27.34
99-3794-0P	BEDBAR-AGGRESSIVE	\$207.85
99-3801	SEAL-OIL	\$11.05
99-3841	ROLLER-FULL, ALUMINUM	\$99.97
99-3842	SEAL-OIL, NON-VENTED GRBX	\$10.22
99-4072	SPACER	\$10.51
99-4103	SHIELD ASM-REAR	\$76.88
99-4109	SPACER	\$10.95
99-4115	FRONT LIFT FRAME ASM	\$201.12
99-4116	REAR LIFT FRAME ASM	\$201.12
99-4126	CENTER LIFT ARM ASM	\$211.13
99-4152	DEFLECTOR-REEL, LH	\$11.78
99-4182-01	LH CLEVIS ASM	\$70.78
99-4183-01	RH CLEVIS ASM	\$67.72
99-4201	TUBE-SPACER	\$5.79
99-4208	SHROUD-CONSOLE	\$133.70
99-4209	SHAFT-ROLLER	\$4.44
99-4210	ROLLER-ANTI SCALP	\$12.81
99-4212	LH LIFT ARM ASM	\$180.75
99-4213	RH LIFT ARM ASM	\$180.75
99-4243	BUSHING-FLANGE	\$2.26
99-4248	SPACER	\$11.57
99-4258	RH LINK BRACKET ASM	\$27.33
99-4260	LH LINK BRACKET ASM	\$27.33
99-4270	EXTENSION-ARM, PULL	\$12.42
99-4500	SEAL-GREASE	\$5.04
99-4502	HUB	\$34.09
99-4503	CAP-GREASE	\$5.72
99-4504	PLUG-CAP, GREASE	\$2.74
99-4505	WASHER	\$1.16
99-4506	TIRE	\$80.95
99-4507	RIM	\$45.65
99-4508	NUT-CASTLE	\$1.63
99-4509	WASHER-TANG	\$1.70
99-4543-01	TONGUE-TRAILER	\$115.56
99-5107	NUT-LOCK	\$1.20
99-5432	RIM	\$125.90
99-5493	PULLEY-IDLER	\$30.45
99-5501	BRAKE CABLE ASM	\$77.96
99-5608-03	SPRING-TORSION, RH	\$18.56
99-5609-03	SPRING-TORSION, LH	\$18.56
99-5614	HYD HOSE ASM	\$68.20
99-5617	SLEEVE-PROTECTIVE	\$24.83
99-5621	GUIDE-HOSE	\$20.70
99-5648	SLEEVE-PROTECTIVE	\$42.33
99-5652	BRAKE ASM & LEVER	\$107.62
99-5653	RH HOC WA & SCREW	\$55.40
99-5654	LH HOC WA & SCREW	\$54.59
99-5672	NUT-BEARING ADJ.	\$13.29
99-5678	IDLER PULLEY ASM	\$22.09
99-5748	SHAFT-ROLLER	\$79.17
99-5749	FULL ROLLER ASM	\$206.76
99-6193	HOSE ASM	\$91.31
99-6216	ROLLER-WIEHLE	\$117.98
99-6240	NARROW WIEHLE ROLLER ASM	\$187.39
99-6241	NARROW WIEHLE ROLLER ASM	\$258.48
99-6858	BRACKET-HOC, UPDATE KIT	\$32.60
99-6964	BUSHING-AXLE	\$2.46
99-6969	SEAL-OIL, WHEEL END	\$7.75

PARTS LIST



TORO PROTECTION PLUS™

EXTENDED PROTECTION PLAN

Run Your Maintenance Budget at Peak Efficiency

The Toro Protection Plus™ (TPP) Extended Protection Plan eliminates the hit your maintenance budget can take when the unforeseen happens. Coverage is available for new equipment, pre-owned equipment, and most Toro attachments and accessories. Just choose the plan that fits your needs.

\$0 deductible for parts & labor on covered repairs | Remaining coverage is transferrable if ownership changes

TORO®

Learn More: 800-803-8676 | toro.com/tpp



ROLLER - UHMW

ULTRA HIGH MOLECULAR WEIGHT

ROLL WITH IT!

Toro understands one size doesn't fit all your mowing needs. Customers who prefer replacement plastic rollers now have the option to equip their Groundsmaster® Contour™ Plus rotary mowers with the New Roller - UHMW.

- Lighter – New hollow design is nearly 3 times lighter than the standard rollers, and helps prevent scuffing turf in turns.
- Cost-Effective & Durable – Life expectancy up to 400 hrs.
- Maintenance-Free – Self-lubricating bushings are maintenance-free, and protect hardened steel shaft from daily wear.

Order Part Numbers:

- 131-7800 Roller - UHMW
- Ballast Kit (required – 1 per cutting unit), can be mounted directly onto the cutting deck
- 136-2881 (Ballast Kit for 27" cutting units)
- 136-2915 (Ballast Kit for 22" cutting units)



For more information, contact your distributor:
800-803-8676