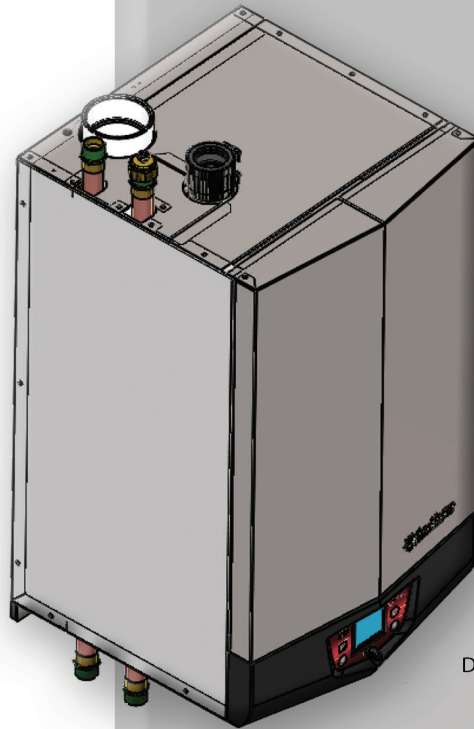




**Installation & Operation Manual**  
**Models: 55 - 399**  
**Series: 100 & 101**



DIR #2000543091 00



**WARNING**

This manual must only be used by a qualified heating installer / service technician. Read all instructions, including this manual and the Knight Wall Hung Fire Tube Boiler Service Manual, before installing. Perform steps in the order given. Failure to comply could result in severe personal injury, death, or substantial property damage.




Save this manual for future reference.


# Contents

<b>HAZARD DEFINITIONS</b> .....	2	<b>6. HYDRONIC PIPING</b>	
<b>PLEASE READ BEFORE PROCEEDING</b> .....	3	System Water Piping Methods.....	34
<b>THE KNIGHT WALL HUNG FIRE TUBE BOILER -- HOW IT WORKS</b> .....	4-5	Low Water Cutoff Device .....	34
<b>RATINGS</b> .....	6	Chilled Water System.....	34
<b>1. DETERMINE BOILER LOCATION</b>		Freeze Protection Fluids .....	34
Provide Clearances .....	9	General Piping Information .....	34
Provide Air Openings to Room .....	9	Near Boiler Piping Components.....	35-36
Wall Mounting Location .....	9	Circulator Sizing .....	36
Residential Garage Installation .....	9	Pressure Drop vs. Flow.....	37
Vent and Air Piping .....	9	Piping Diagrams.....	38-46
Prevent Combustion Air Contamination.....	9	<b>7. GAS CONNECTIONS</b>	
Corrosive Contaminants and Sources .....	10	Connecting Gas Supply Piping .....	47-48
Using an Existing Vent System to Install a New Boiler ...	10	Natural Gas .....	48
Removing a Boiler from Existing Common Vent.....	11	Pipe Sizing for Natural Gas .....	48
<b>2. PREPARE BOILER</b>		Natural Gas Supply Pressure Requirements .....	48
Remove Boiler from Wood Pallet.....	12	Propane Gas .....	48
Gas Conversions.....	12-13	Pipe Sizing for Propane Gas .....	48
Mounting the Boiler .....	13-14	Propane Supply Pressure Requirements .....	48
<b>3. GENERAL VENTING</b>		Check Inlet Gas Supply .....	49
Direct Venting Options .....	15	Gas Pressure .....	50
Install Vent and Combustion Air Piping .....	16	Gas Valve Replacement .....	50
Optional Room Air.....	17	<b>8. FIELD WIRING</b>	
Requirements for Installation in Canada.....	18	Line Voltage Connections .....	51
Sizing .....	18	Wiring of the Cascade.....	53-54
Materials.....	19	Low Voltage Connections .....	55
PVC/CPVC .....	20	<b>9. CONDENSATE DISPOSAL</b>	
Polypropylene.....	21	Condensate Drain .....	56
Stainless Steel Vent.....	22	<b>10. STARTUP</b> .....	57-64
<b>4. SIDEWALL DIRECT VENTING</b>		<b>11. OPERATING INFORMATION</b>	
Vent/Air Termination - Sidewall.....	23-25	General.....	65-68
Determine Location.....	23-24	Cascade .....	69
Prepare Wall Penetrations.....	25	Sequence of Operation .....	70-71
Multiple Vent/Air Terminations .....	25	Knight Wall Hung Fire Tube Boiler Control Module.....	72
Sidewall Termination - Optional Concentric Vent .....	26-28	Status Display Screens .....	73-75
<b>5. VERTICAL DIRECT VENTING</b>		<b>12. MAINTENANCE</b>	
Vent/Air Termination - Vertical .....	29-30	Maintenance and Annual Startup.....	76-80
Determine Location.....	29	<b>13. DIAGRAMS</b>	
Prepare Roof Penetrations .....	30	Ladder Diagram .....	81
Multiple Vent/Air Terminations.....	30	Wiring Diagram.....	82
Vertical Termination - Optional Concentric Vent ...	31-32	Revision Notes .....	Back Cover
Alternate Vertical Concentric Venting.....	33		


## Hazard definitions


The following defined terms are used throughout this manual to bring attention to the presence of hazards of various risk levels or to important information concerning the life of the product.

 **DANGER** DANGER indicates an imminently hazardous situation which, if not avoided, will result in death or serious injury.

 **WARNING** WARNING indicates a potentially hazardous situation which, if not avoided, could result in death or serious injury.

 **CAUTION** CAUTION indicates a potentially hazardous situation which, if not avoided, may result in minor or moderate injury.

 **CAUTION** CAUTION used without the safety alert symbol indicates a potentially hazardous situation which, if not avoided, may result in property damage.

 **NOTICE** NOTICE indicates special instructions on installation, operation, or maintenance that are important but not related to personal injury or property damage.

## Please read before proceeding

### WARNING

**Installer** – Read all instructions, including this manual and the Knight Wall Hung Fire Tube Boiler Service Manual, before installing. Perform steps in the order given.

**User** – This manual is for use only by a qualified heating installer/service technician. Refer to the User's Information Manual for your reference.

Have this boiler serviced/inspected by a qualified service technician, at least annually.

Failure to comply with the above could result in severe personal injury, death, or substantial property damage.

### NOTICE

When calling or writing about the boiler – Please have the boiler model and serial number from the boiler rating plate.

Consider piping and installation when determining boiler location.

Any claims for damage or shortage in shipment must be filed immediately against the transportation company by the consignee.

Factory warranty (shipped with unit) does not apply to units improperly installed or improperly operated.

### WARNING

Failure to adhere to the guidelines on this page can result in severe personal injury, death, or substantial property damage.

### WARNING

If the information in this manual is not followed exactly, a fire or explosion may result causing property damage, personal injury, or loss of life.

This appliance **MUST NOT** be installed in any location where gasoline or flammable vapors are likely to be present.

#### WHAT TO DO IF YOU SMELL GAS

- Do not try to light any appliance.
- Do not touch any electric switch; do not use any phone in your building.
- Immediately call your gas supplier from a nearby phone. Follow the gas supplier's instructions.
- If you cannot reach your gas supplier, call the fire department.
- Installation and service must be performed by a qualified installer, service agency, or the gas supplier.

### WARNING

DO NOT install units in rooms or environments that contain corrosive contaminants (see Table 1B). Failure to comply could result in severe personal injury, death, or substantial property damage.

#### When servicing boiler –

- To avoid electric shock, disconnect electrical supply before performing maintenance.
- To avoid severe burns, allow boiler to cool before performing maintenance.

#### Boiler operation –

- Do not block flow of combustion or ventilation air to the boiler.
- Should overheating occur or gas supply fail to shut off, do not turn off or disconnect electrical supply to circulator. Instead, shut off the gas supply at a location external to the appliance.
- Do not use this boiler if any part has been under water. The possible damage to a flooded appliance can be extensive and present numerous safety hazards. Any appliance that has been under water must be replaced.

#### Boiler water –

- Thoroughly flush the system to remove debris. Use an approved pre-commissioning cleaner (see Start-Up Section), without the boiler connected, to clean the system and remove sediment. The high-efficiency heat exchanger can be damaged by build-up or corrosion due to sediment.

**Note:** Cleaners are designed for either new systems or pre-existing systems. Choose accordingly.

### CAUTION

Do not use petroleum-based cleaning or sealing compounds in the boiler system. Gaskets and seals in the system may be damaged. This can result in substantial property damage.

### CAUTION

Do not use “homemade cures” or “boiler patent medicines.” Serious damage to the boiler, personnel, and/or property may result.

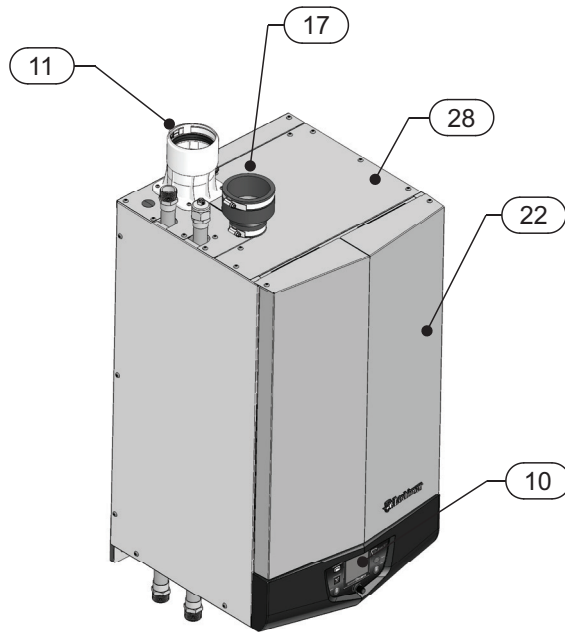
#### Freeze protection fluids –

- NEVER use automotive antifreeze. Use only inhibited propylene glycol solutions, which are specifically formulated for hydronic systems. Ethylene glycol is toxic and can attack gaskets and seals used in hydronic systems.

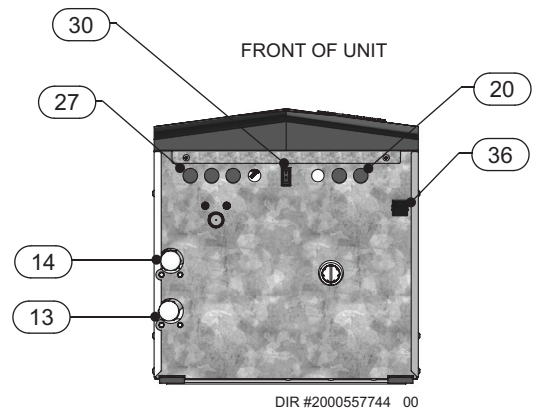
# The Knight Wall Hung Fire Tube Boiler - How it works...

- 1. Stainless steel heat exchanger**  
Allows system water to flow around specially designed tubes for maximum heat transfer, while providing protection against flue gas corrosion.
- 2. Combustion chamber access cover**  
Allows access to the combustion side of the heat exchanger.
- 3. Blower**  
The blower pulls in air and gas through the venturi (item 5). Air and gas mix inside the blower and are pushed into the burner, where they burn inside the combustion chamber.
- 4. Gas valve**  
The gas valve senses the negative pressure created by the blower, allowing gas to flow only if the gas valve is powered and combustion air is flowing.
- 5. Venturi**  
The venturi controls air and gas flow into the burner.
- 6. Flue gas sensor (limit rated)**  
This sensor monitors the flue gas exit temperature. The control module will modulate and shut down the boiler if flue gas temperature gets too hot. This protects the flue pipe from overheating.
- 7. Boiler outlet temperature sensor (housed with the high limit sensor)**  
This sensor monitors boiler outlet water temperature (system supply). If selected as the controlling sensor, the control module adjusts boiler firing rate so the outlet temperature is correct.
- 8. Boiler inlet temperature sensor (not shown)**  
This sensor monitors return water temperature (system return). If selected as the controlling sensor, the control module adjusts the boiler firing rate so the inlet temperature is correct.
- 9. Temperature and pressure gauge (field installed, not shown)**  
Monitors the outlet temperature of the boiler as well as the system water pressure.
- 10. Electronic LCD display**  
The display features a high resolution liquid crystal screen, three (3) buttons, and a navigation dial. A serial and USB port support additional communication with the control.
- 11. Flue pipe adapter**  
Universal vent adapter allows connection of PVC/CPVC, polypropylene, or stainless steel venting systems to the boiler.
- 12. Burner (not shown)**  
Made with metal fiber and stainless steel construction, the burner uses pre-mixed air and gas and provides a wide range of firing rates.
- 13. Water outlet (system supply)**  
Copper connection that supplies hot water to the system, either 1" NPT, 1-1/4" NPT, or 1-1/2" sweat, depending on the model.
- 14. Water inlet (system return)**  
Copper connection that returns water from the system to the heat exchanger, either 1" NPT, 1-1/4" NPT, or 1-1/2" sweat, depending on the model.
- 15. Gas connection pipe**  
Threaded pipe connection. This pipe should be connected to the incoming gas supply for the purpose of delivering gas to the boiler.
- 16. SMART SYSTEM Control Module**  
The SMART SYSTEM Control responds to internal and external signals to regulate the blower, gas valve, and pump functions to meet heating demand. Optional remote connectivity allows boiler settings to be monitored and modified when connected to the internet.
- 17. Air intake adapter**  
Allows for the connection of the PVC air intake pipe to the boiler.
- 18. High voltage junction box**  
The junction box contains the connection points for the line voltage power and all pumps.
- 19. Low voltage connection board**  
The connection board is used to connect external low voltage devices.
- 20. Low voltage wiring connections**  
Conduit connection points for the low voltage connection board.
- 21. Condensate trap (field installed, not shown)**  
The condensate trap prevents flue gasses from escaping the condensate drain line.
- 22. Access cover - front**  
Provides access to the gas valve, control panel, and heat exchanger.
- 23. Ignition electrode**  
Provides direct spark for igniting the burner.
- 24. Flame inspection window**  
The quartz glass window provides a view of the burner surface and flame.
- 25. Relief valve (shipped loose - factory installed on Model 399 only, not shown)**  
Protects the heat exchanger from an over pressure condition. The relief valve provided with the unit is set at 30 psi.
- 26. Flame sensor**  
Used by the control module to detect the presence of burner flame.
- 27. Line voltage wiring connections**  
Conduit connection points for the high voltage junction box.
- 28. Top panel**  
Removable panel allows access to the gas train and combustion chamber.
- 29. Gas shutoff switch (Models 055 - 285 only)**  
An electrical switch designed to cut power to the gas valve to prevent releasing any gas.
- 30. Power switch**  
Turns 120 VAC ON/OFF to the boiler.
- 31. Auto air vent (Model 399 only, not shown)**  
Used to allow removal of trapped air from the heat exchanger.
- 32. Transformer**  
The transformer provides 24V power to the integrated control.
- 33. High limit sensor (housed with the outlet temperature sensor)**  
Device that monitors the outlet water temperature. If the temperature exceeds its setting, the integrated control will break the control circuit, shutting the boiler down.
- 34. Stainless steel flue collector**  
Flue gas and condensate enter the stainless flue collector through the fire tubes. A 1-1/4" drain connection allows condensate to flow through the collector into a condensate trap for disposal.
- 35. Manual air vent**  
Used to allow removal of trapped air from the heat exchanger. For Models 55 - 285 a coin vent is provided in the water inlet cap for installations where top connections are not used.
- 36. Line voltage receptacle**  
Equipment outlet for use with a condensate pump or other low power equipment. Do not exceed 7 amp load.  
**Note:** The power outlet is on a separate circuit than the boiler ON/OFF switch. It will remain powered when the boiler is turned off.

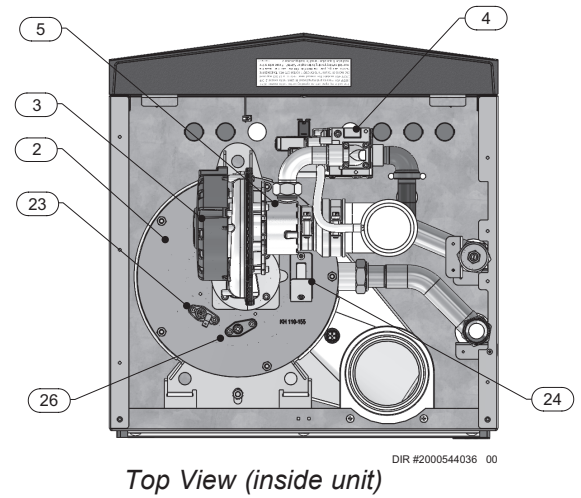
# The Knight Wall Hung Fire Tube Boiler - How it works... *(continued)*



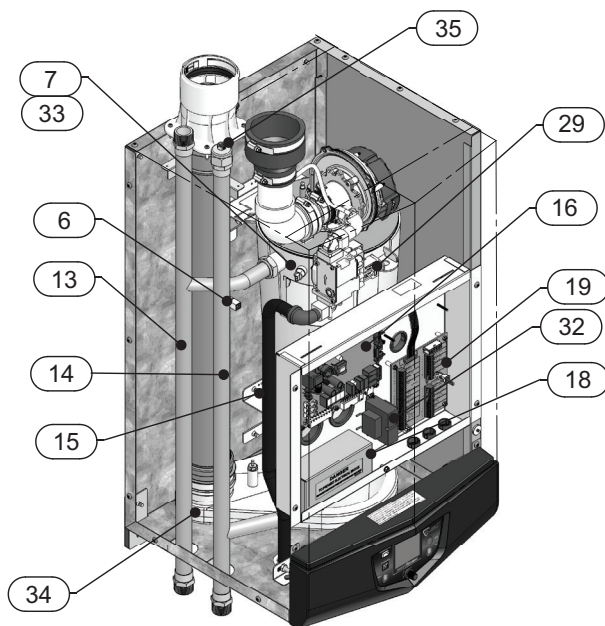
Front View



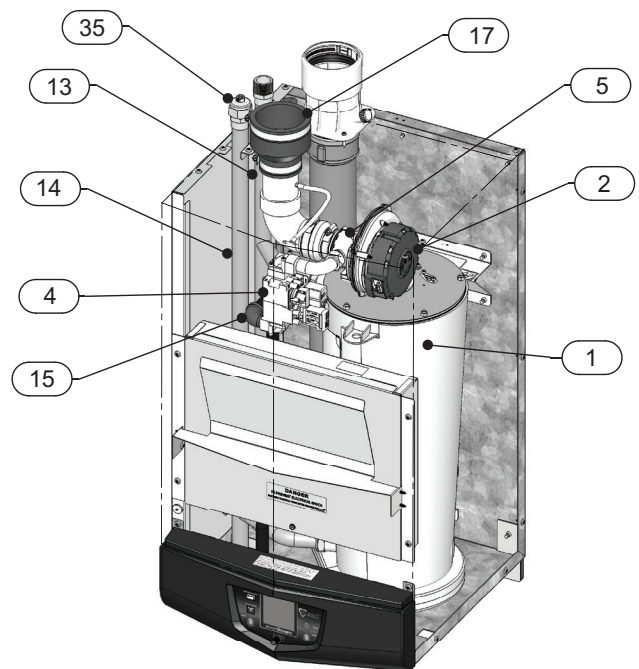
Bottom View



Top View (inside unit)

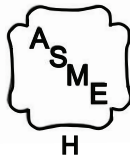


Left Side (inside unit)



Front View (inside unit)

# Ratings


**DOE**


Knight Wall Hung Fire Tube Boiler AHRI Rating						Other Specifications				
Model Number  WHB(XXX)(N,L)  XXX = Input (MBH) N = Natural Gas L = Propane Gas	Input MBH  (Note 5)		Heating Capacity MBH  (Note 2,7)	Net AHRI Ratings Water, MBH  (Note 3,7)	AFUE %  (Note 1, 7)	Boiler Water Content Gallons	Water Connections	Gas Connections	Air Size	Vent Size  (Note 4,8)
	Min	Max								
WHB055(N,L)	8.3	55	51	44	95	2.3	1"	1/2"	2"	2"
WHB085(N,L)	8.5	85	79	69	95	2.2	1"	1/2"	2"	2"
WHB110(N,L)	11.0	110	102	89	95	2.3	1"	1/2"	3"	3"
WHB155(N,L)	15.5	155	144	125	95	3.2	1"	1/2"	3"	3"
WHB199(N,L)	19.9	199	183	159	95	5.2	1-1/4"	1/2"	3"	3"
WHB285(N,L)	28.5	285	264	230	95	4.9	1-1/4"	1/2"	3"	3"
WHB399(N,L)	39.9	399	377	328	94.4*	6.5	1-1/2"	3/4"	4"	4"

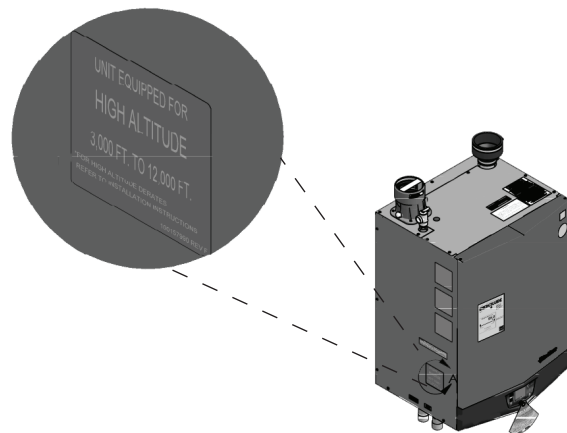
\*Note: WHB399 value is thermal efficiency.

**NOTICE**

Maximum allowed working pressure is located on the rating plate.

**Notes:**

- As an Energy Star Partner, Lochinvar has determined that Knight Wall Hung Fire Tube boilers meet the Energy Star guidelines for energy efficiency.
- The ratings are based on standard test procedures prescribed by the United States Department of Energy.
- Net AHRI ratings are based on net installed radiation of sufficient quantity for the requirements of the building and nothing need be added for normal piping and pickup. Ratings are based on a piping and pickup allowance of 1.15.
- Knight Wall Hung Fire Tube boilers require special gas venting. Use only the vent materials and methods specified in the Knight Wall Hung Fire Tube Installation and Operation Manual.
- Standard Knight Wall Hung Fire Tube boilers are equipped to operate from sea level to 4,500 feet **only**. The boiler will de-rate by 4% for each 1,000 feet above sea level up to 4,500 feet.
- High altitude Knight Wall Hung Fire Tube boilers are equipped to operate from 3,000 to 9,600 feet. The boiler will de-rate 1.7% between 5,000 to 9,600 feet. For any units installed past 9,600 feet there is an additional de-rate of 4% per 1,000 feet beyond 9,600 feet per the National Fuel Gas Code. Boilers configured for high altitude shall not be installed below 3000 feet.
- Ratings have been confirmed by the Hydronics Section of AHRI.
- Models 055 - 085 can be alternatively vented using a 3" vent/air size, the 110 model can be alternatively vented using a 2" vent/air size, and the 285 model can be alternatively vented using a 4" vent/air size. See the General Venting - Sizing Section of this manual for maximum allowable lengths.
- The manual reset high limit provided with the Knight Wall Hung Fire Tube is listed to UL353.



DIR #2000557750 00

**Figure A High Altitude Label Location**

# 1 Determine boiler location

## Installation must comply with:

- Local, state, provincial, and national codes, laws, regulations, and ordinances.
- National Fuel Gas Code, ANSI Z223.1 – latest edition.
- Standard for Controls and Safety Devices for Automatically Fired Boilers, ANSI/ASME CSD-1, when required.
- National Electrical Code.
- For Canada only: B149.1 Installation Code, CSA C22.1 Canadian Electrical Code Part 1 and any local codes.

### NOTICE

The Knight Wall Hung Fire Tube boiler gas manifold and controls met safe lighting and other performance criteria when the boiler underwent tests specified in ANSI Z21.13 – latest edition.

## Before locating the boiler, check:

1. Check for nearby connection to:
  - System water piping
  - Venting connections
  - Gas supply piping
  - Electrical power
2. Locate the appliance so that if water connections should leak, water damage will not occur. When such locations cannot be avoided, it is recommended that a suitable drain pan, adequately drained, be installed under the appliance. The pan must not restrict combustion air flow. Under no circumstances is the manufacturer to be held responsible for water damage in connection with this appliance, or any of its components.
3. Check area around the boiler. Remove any combustible materials, gasoline, and other flammable liquids.

### WARNING

Failure to keep boiler area clear and free of combustible materials, gasoline, and other flammable liquids and vapors can result in severe personal injury, death, or substantial property damage.

4. The Knight Wall Hung Fire Tube boiler must be installed so that gas control system components are protected from dripping or spraying water or rain during operation or service.
5. If a new boiler will replace an existing boiler, check for and correct system problems, such as:
  - System leaks causing oxygen corrosion or heat exchanger cracks from hard water deposits.
  - Incorrectly-sized expansion tank.
  - Lack of freeze protection fluids in boiler water causing system and boiler to freeze and leak.
  - Debris left from existing piping, if not flushed and cleaned with an appropriate cleaner.
6. Check around the boiler for any potential air contaminants that could risk corrosion to the boiler or the boiler combustion air supply (see Table 1B). Prevent combustion air contamination. Remove any of these contaminants from the boiler area.

### WARNING

DO NOT install units in rooms or environments that contain corrosive contaminants (see Table 1B). Failure to comply could result in severe personal injury, death, or substantial property damage.

DO NOT install the boiler in a room likely to freeze.

### WARNING

This appliance is certified as an indoor appliance. Do not install the appliance outdoors or locate where the appliance will be exposed to freezing temperatures or to temperatures that exceed 100°F.

Do not install the appliance where the relative humidity may exceed 93%. Do not install the appliance where condensation may form on the inside or outside of the appliance, or where condensation may fall onto the appliance. Failure to install the appliance indoors could result in severe personal injury, death, or substantial property damage.

### WARNING

This appliance requires a special venting system. Use only the vent materials, primer, and cement specified in this manual to make the vent connections. Failure to follow this warning could result in fire, personal injury, or death.

## Closet and alcove installations

A closet is any room the boiler is installed in which the room volume is less than the room volume listed in the table below. An alcove is any room which meets the criteria for a closet, but it does not have a door.

**Table 1A Room Volume**

Model	Room Volume (in cubic feet)
55 - 085	90
110 - 199	108
285	124
399	178

**Example:** Room dimensions = 4 feet long, 3 feet wide, and 8 foot ceiling = 4 x 3 x 8 = 96 cubic feet. This would be considered a closet for a WHB285 model.

### WARNING

For closet and alcove installations CPVC, polypropylene, or stainless steel vent material must be used. The ventilating air openings shown in FIG. 1-1 are required for closet installations. Failure to follow this warning could result in fire, personal injury, or death.

## Recommended clearances for service access

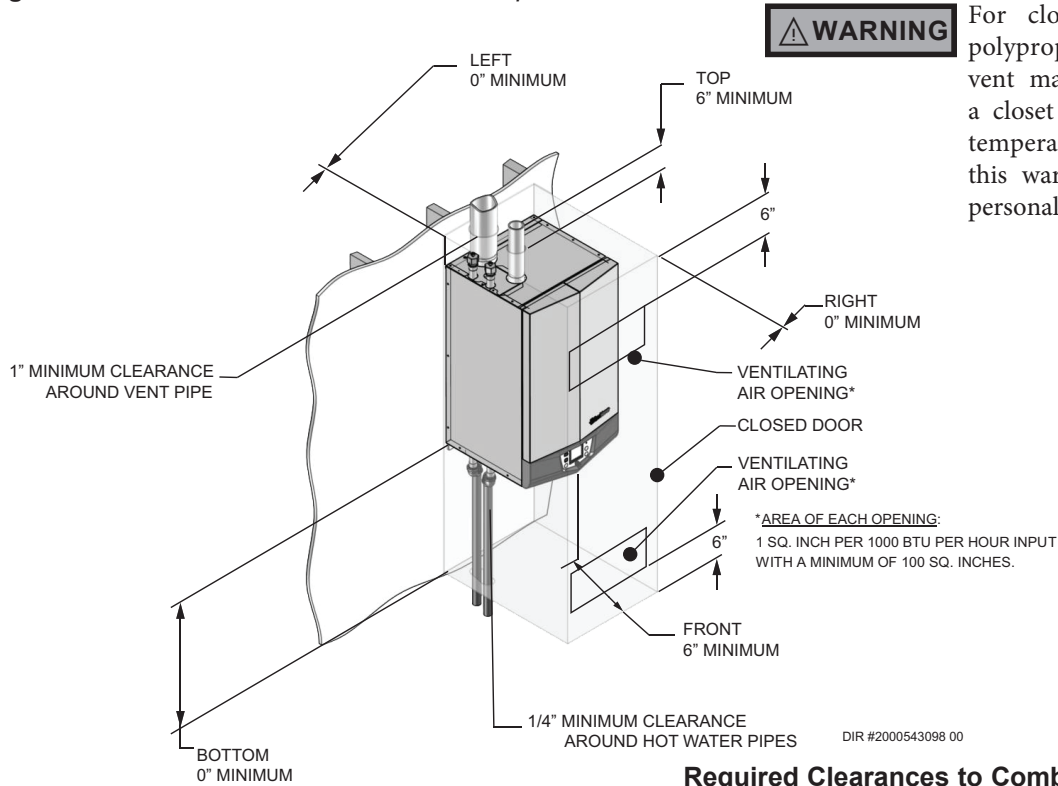
- Front / Top / Bottom ..... 24"
- Left Side..... 12"
- Right Side..... 0"

### NOTICE

If you do not provide the recommended service clearances shown, it may not be possible to service the boiler without removing it from the space.

# 1 Determine boiler location

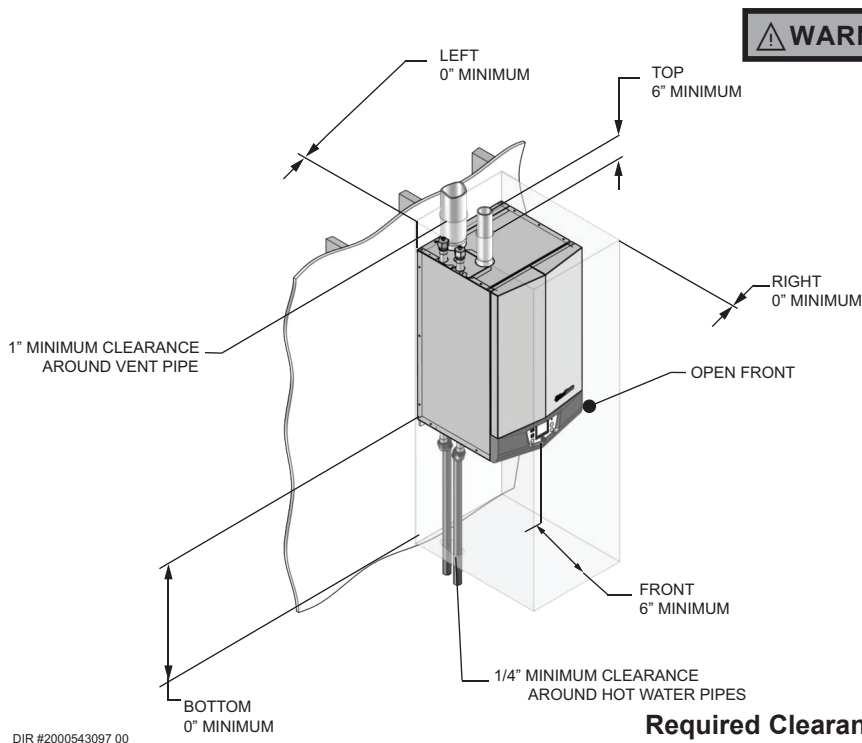
**Figure 1-1 Closet Installation - Minimum Required Clearances**



### Required Clearances to Combustible Materials

- Front / Top ..... 6"
- Bottom ..... 0"
- Left / Right Side ..... 0"

**Figure 1-2 Alcove Installation - Minimum Required Clearances**



### Required Clearances to Combustible Materials

- Front / Top ..... 6"
- Bottom ..... 0"
- Left / Right Side ..... 0"



# 1 Determine boiler location *(continued)*

## Provide clearances:

### Clearances from combustible materials

1. Hot water pipes—at least 1/4" (6 mm) from combustible materials.
2. Vent pipe – at least 1" (25 mm) from combustible materials.
3. See FIG.'s 1-1 and 1-2 for other clearance minimums.

## Provide air openings to room:

### Knight Wall Hung Fire Tube boiler alone in boiler room

1. No air ventilation openings into the boiler room are needed when the total room volume is greater than the values given for closet installations (see Table 1A). For spaces that do NOT fit this criteria, provide one square inch free area per 1,000 Btu/hr of boiler input.

### Knight Wall Hung Fire Tube boiler in same space with other gas or oil-fired appliances

1. Follow the National Fuel Gas Code (U.S.) or CSA B149.1 (Canada) to size/verify size of the combustion/ventilation air openings into the space.

### WARNING

The space must be provided with combustion/ventilation air openings correctly sized for all other appliances located in the same space as the Knight Wall Hung Fire Tube boiler.

Do not install the boiler in an attic.

Failure to comply with the above warnings could result in severe personal injury, death, or substantial property damage.

2. Size openings only on the basis of the other appliances in the space. No additional air opening free area is needed for the Knight Wall Hung Fire Tube boiler because it takes its combustion air from outside (direct vent installation).

## Wall mounting location

Ensure the wall for which the boiler is intended to be mounted is composed of either, cement, brick, block, or wooden studs spaced 16 inches apart from center. Ensure the wall is capable of supporting at least 250 pounds for Models 055 - 285 and 300 pounds for the 399 models.

If flooding is possible, elevate the boiler sufficiently to prevent water from reaching the boiler.

Ensure the boiler is installed in a location that minimizes the risk of water damage due to valves, pumps, etc.

## Residential garage installation

### Precautions

Take the following precautions when installing the appliance in a residential garage. If the appliance is located in a residential garage, it should be installed in compliance with the latest edition of the National Fuel Gas Code, ANSI Z223.1, and/or CAN/CGA-B149 Installation Code.

- Appliances located in residential garages and in adjacent spaces that open to the garage and are not part of the living space of a dwelling shall be installed so that all burners and burner ignition devices are located not less than 18 inches (46 cm) above the floor.
- The appliance shall be located or protected so that it is not subject to physical damage by a moving vehicle.

## Vent and air piping

The Knight Wall Hung Fire Tube boiler requires a special vent system designed for pressurized venting.

The boiler is to be used for either direct vent installation or for installation using indoor combustion air. When room air is considered, see Section 3 - General Venting. Note prevention of combustion air contamination below when considering vent/air termination.

Vent and air must terminate near one another and may be vented vertically through the roof or out a side wall, unless otherwise specified. You may use any of the vent/air piping methods covered in this manual. Do not attempt to install the Knight Wall Hung Fire Tube boiler using any other means.

Be sure to locate the boiler such that the vent and air piping can be routed through the building and properly terminated. The vent/air piping lengths, routing, and termination method must all comply with the methods and limits given in this manual.

## Prevent combustion air contamination

Install air inlet piping for the Knight Wall Hung Fire Tube boiler as described in this manual. Do not terminate vent/air in locations that can allow contamination of combustion air. Refer to Table 1B for products and areas which may cause contaminated combustion air.

### WARNING

You must pipe combustion air to the boiler air intake. Ensure that the combustion air will not contain any of the contaminants in Table 1B. Contaminated combustion air will damage the boiler, resulting in possible severe personal injury, death, or substantial property damage. Do not pipe combustion air near a swimming pool, for example. Also, avoid areas subject to exhaust fumes from laundry facilities. These areas will always contain contaminants.

# 1 Determine boiler location

**Table 1B Corrosive Contaminants and Sources**

Products to avoid:
Spray cans containing chloro/fluorocarbons
Permanent wave solutions
Chlorinated waxes/cleaners
Chlorine-based swimming pool chemicals
Calcium chloride used for thawing
Sodium chloride used for water softening
Refrigerant leaks
Paint or varnish removers
Hydrochloric acid/muriatic acid
Cements and glues
Antistatic fabric softeners used in clothes dryers
Chlorine-type bleaches, detergents, and cleaning solvents found in household laundry rooms
Adhesives used to fasten building products and other similar products
Areas likely to have contaminants:
Dry cleaning/laundry areas and establishments
Swimming pools
Metal fabrication plants
Beauty shops
Refrigeration repair shops
Photo processing plants
Auto body shops
Plastic manufacturing plants
Furniture refinishing areas and establishments
New building construction
Remodeling areas
Garages with workshops

## When using an existing vent system to install a new boiler:



Failure to follow all instructions can result in flue gas spillage and carbon monoxide emissions, causing severe personal injury or death.

Check the following venting components before installing:

- **Material** - For materials listed for use with this appliance, see Section 3 - General Venting.
- **Size** - To ensure proper pipe size is in place, see Table 3A. Check to see that this size is used throughout the vent system.
- **Manufacturer** - For a stainless steel or polypropylene application, you must use only the listed manufacturers and their type product listed in the General Venting Section for CAT IV positive pressure venting with flue producing condensate.
- **Supports** - Non-combustible supports must be in place allowing a minimum 1/4" rise per foot. The supports should adequately prevent sagging and vertical slippage by distributing the vent system weight. For additional information, consult the vent manufacturer's instructions for installation.
- **Terminations** - Carefully review Sections 3 through 5 to ensure requirements for the location of the vent and air terminations are met and orientation of these fit the appropriate image from the Sidewall or Vertical options listed in the General Venting Section.
- **Seal** - With prior requirements met, the system should be tested to the procedure listed in parts (c) through (f) of the Removal of an Existing Boiler Section.

With polypropylene and stainless steel vent, seal and connect all pipe and components as specified by the vent manufacturer used; with PVC/CPVC vent, see the Installing Vent or Air Piping Section.



If any of these conditions are not met, the existing system must be updated or replaced for that concern. Failure to follow all instructions can result in flue gas spillage and carbon monoxide emissions, causing severe personal injury or death.

# 1 Determine boiler location *(continued)*

## When removing a boiler from existing common vent system:

### DANGER

Do not install the Knight Wall Hung Fire Tube boiler into a common vent with any other appliance. This will cause flue gas spillage or appliance malfunction, resulting in possible severe personal injury, death, or substantial property damage.

### WARNING

Failure to follow all instructions can result in flue gas spillage and carbon monoxide emissions, causing severe personal injury or death.

At the time of removal of an existing boiler, the following steps shall be followed with each appliance remaining connected to the common venting system placed in operation, while the other appliances remaining connected to the common venting system are not in operation.

- a. Seal any unused openings in the common venting system.
- b. Visually inspect the venting system for proper size and horizontal pitch and determine there is no blockage or restriction, leakage, corrosion, or other deficiencies, which could cause an unsafe condition.
- c. Test vent system – Insofar as is practical, close all building doors and windows and all doors between the space in which the appliances remaining connected to the common venting system are located and other spaces of the building. Turn on clothes dryers and any appliance not connected to the common venting system. Turn on any exhaust fans, such as range hoods and bathroom exhausts, so they will operate at maximum speed. Do not operate a summer exhaust fan. Close fireplace dampers.
- d. Place in operation the appliance being inspected. Follow the lighting instructions. Adjust thermostat so appliance will operate continuously.
- e. Test for spillage at the draft hood relief opening after 5 minutes of main burner operation. Use the flame of a match or candle, or smoke from a cigarette, cigar, or pipe.
- f. After it has been determined that each appliance remaining connected to the common venting system properly vents when tested as outlined herein, return doors, windows, exhaust fans, fireplace dampers, and any other gas-burning appliance to their previous conditions of use.

- g. Any improper operation of the common venting system should be corrected so the installation conforms with the National Fuel Gas Code, ANSI Z223.1/NFPA 54, and/or CAN/CSA B149.1, Natural Gas and Propane Installation Code. When resizing any portion of the common venting system, the common venting system should be resized to approach the minimum size as determined using the appropriate tables in Part 11 of the National Fuel Gas Code, ANSI Z223.1/NFPA, and/or CAN/CSA B149.1, Natural Gas and Propane Installation Code.

## 2 Prepare boiler

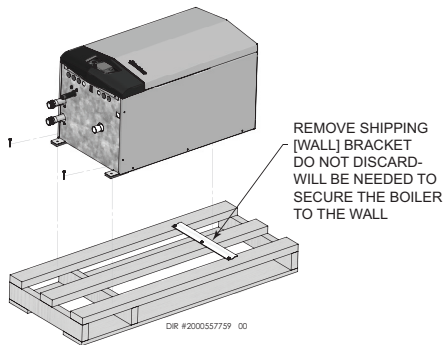
### Remove boiler from wood pallet

1. After removing the outer shipping carton from the boiler, remove the parts box.
2. To remove the boiler from the pallet:
  - a. Remove the two (2) lag bolts securing the bottom of the unit to the pallet.
  - b. Lift the boiler off the wall bracket mounted to the pallet.
3. Remove the three (3) lag bolts securing the wall bracket to the wood pallet. Be certain not to lose the wall bracket as it will be needed for securing the boiler to the wall (FIG. 2-1).

#### NOTICE

Do not drop the boiler or bump the jacket on the floor or pallet. Damage to the boiler can result.

**Figure 2-1 Boiler Mounted on Shipping Pallet**



### Gas conversions

#### WARNING

For a boiler already installed, you must turn off gas supply, turn off power, and allow boiler to cool before proceeding. You must also completely test the boiler after conversion to verify performance as described under Start-up, Section 10 of this manual. Failure to comply could result in severe personal injury, death, or substantial property damage.

For models 55 - 399, you must install a propane venturi and any additional components supplied in the kit to operate the Knight Wall Hung Fire Tube boiler on propane gas. Verify when installing that the venturi label and orifice marking match the boiler size (see Table 2A).

**Table 2A LP Conversion Table**

Model	Kit #	Venturi Ø (mm)	Orifice Ø		Air Shutter	Orifice Stamping
			Bottom	Top		
55	100268040	20 mm	2.45 mm	2.65 mm	100150434	N/A
85	100268104	20 mm	2.45 mm	2.55 mm	100150434	N/A
110	100285815	22 mm	3.00 mm	2.85 mm	100284510	.250
155	100285817	24 mm	3.35 mm	2.95 mm	100284509	.302
199	100285818	24 mm	3.40 mm	3.00 mm	100150947	.302
285	100268109	30 mm	4.20 mm	4.00 mm	100150947	N/A
399	100350354	38 mm	4.90 mm	5.40 mm	100309612	N/A

\*Note: The WHB199L air shutter should have the hole oriented towards the back right corner of the unit.

### To gain access and remove the venturi - All Models:

1. If boiler is already installed, you must turn off the gas supply, turn off the power, and allow the boiler to cool before proceeding.
2. Remove the front access cover from the unit (no tools required for removal).
3. Disconnect the air inlet piping from the venturi by loosening the band clamp around the rubber boot coupling. Slide the rubber boot off of the venturi.
4. Disconnect the gas piping from the valve or venturi. On Models 55 - 399, loosen the threaded nut on the venturi. Remove the gasket between the gas piping and venturi.
5. Remove the bolts (using a 4 mm Allen wrench for models 55 - 285 and a 6 mm Allen wrench on the 399 model) connecting the venturi to the fan and proceed to remove the venturi from the unit, making sure not to damage the blower O-ring gasket (FIG.'s 2-2 and 2-3).

### LP conversion procedure - Models 55 - 399

1. Install the LP air shutter provided in the kit (see Table 2A).
  - a. Disconnect the wiring from the fan and remove the bolts securing the fan to the combustion chamber access cover.
  - b. Remove the fan and gasket. Install the LP air shutter.
 

**Note:** On the WHB199L model, the air shutter MUST be installed in the proper direction. Install the air shutter so that the hole in the corner is oriented towards the back right corner of the unit (opposite the front door and gas piping).
  - c. Replace all torn or damaged gaskets and reassemble the fan.
  - d. Reconnect the wiring harness before operation.
2. Install the propane venturi and verify the following:
  - a. The UP arrow on the plastic housing is pointing up.
  - b. The threaded connection for the gas piping is facing towards the front of the unit.

3. LP Models 110 - 199 ONLY require an orifice to be installed in the threaded venturi connection:
  - a. Locate the propane orifice from the conversion kit bag and verify the stamping on the orifice matches the boiler size (see Table 2A).
  - b. With the stamped side facing inwards, place the orifice in the cavity provided in the threaded connection.
4. Reassemble the gas pipe to the threaded connection on the venturi. Replace torn or damaged gasket(s) and ensure the venturi gasket is seated properly before tightening the nut on the venturi.

## 2 Prepare boiler *(continued)*

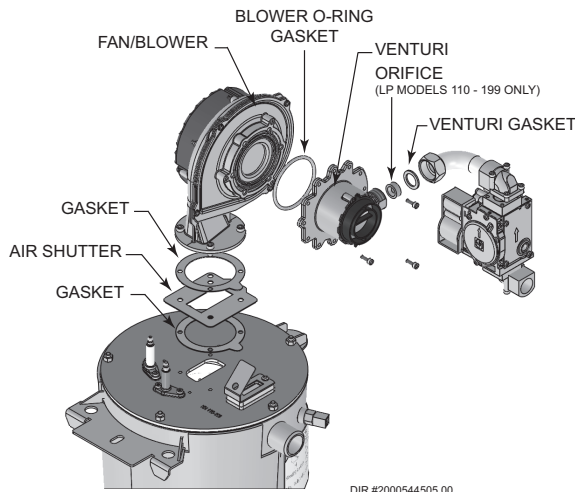
### Reassemble the appliance and complete installation - All Models

1. Reconnect the rubber boot on the air inlet to the venturi inlet and tighten the band clamp at this connection.
2. After installation is complete, attach the propane conversion label (inside the conversion kit) next to the boiler rating plate. Attach the LP caution label (inside the conversion kit bag) to the left side of the boiler underneath the gas supply piping.
3. Replace the front access cover removed in Step 2 of the "To Gain Access and Remove the Venturi" section on page 12 and resume operation.

#### DANGER

When removing the natural gas venturi, inspect the gasket at the gas connection and the O-ring at the blower. These gaskets must be in good condition and must be installed. Failure to comply will cause a gas leak, resulting in severe personal injury or death.

**Figure 2-2** Install LP Air Shutter and Orifice - Models 55 - 399



#### WARNING

After converting to LP, check combustion per the Start-up procedure in Section 10 of this manual. Failure to check and verify combustion could result in severe personal injury, death, or substantial property damage.

### Mounting the boiler

See Section 1 - Determining Boiler Location of this manual for boiler mounting location instructions.

#### NOTICE

The Knight Wall Hung Fire Tube boiler is not intended for floor installation.

### Mounting to a wood studded wall:

1. The wall mount bracket is designed for a stud spacing of 16 inches from center. For other stud spacing a solid mounting surface must be provided by the installer.

#### WARNING

Do not mount the boiler to a hollow wall. Be sure to mount the boiler to the studs only.

2. Mount the wall bracket using the 3 1/4" lag bolts provided. Make sure the top edge of the bracket is away from the wall. Ensure the bracket is level when mounted. Extreme care is needed to ensure the bolts are secured in the center of the studs.
3. Hang the boiler on the bracket and secure the bottom of the boiler with two (2) additional lag bolts provided.

## 2 Prepare boiler

**WARNING** The boiler is too heavy for a single person to lift. A minimum of two people is needed for mounting the boiler onto the bracket.

### Mounting to a concrete wall:

1. Mount the wall bracket using the two (2) wedge anchor bolts provided with the bracket. To mount the wedge anchor bolts, drill a 1/4" diameter hole 1-1/8" deep and insert anchor. Hang the bracket from the anchor and secure with the two nuts provided. Make sure the top edge of the bracket is away from the wall. Ensure bracket is level when mounted. Extreme care is needed to ensure the bolts are secured in the center of the studs.

**Note:** If wall thickness does not allow a 1-1/8" deep hole, field supplied hardware suitable for the application should be provided.

2. Hang the boiler on the bracket and secure the bottom of the boiler with two (2) remaining anchors, following the instructions above.

**WARNING** The boiler is too heavy for a single person to lift. A minimum of two people is needed for mounting the boiler onto the bracket.

### Mounting to a metal studded wall:

1. The wall mount bracket is designed for a stud spacing of 16 inches from center. For other stud spacing a solid mounting surface must be provided by the installer.

**WARNING** Do not mount the boiler to a hollow wall. Be sure to mount the boiler to the studs only.

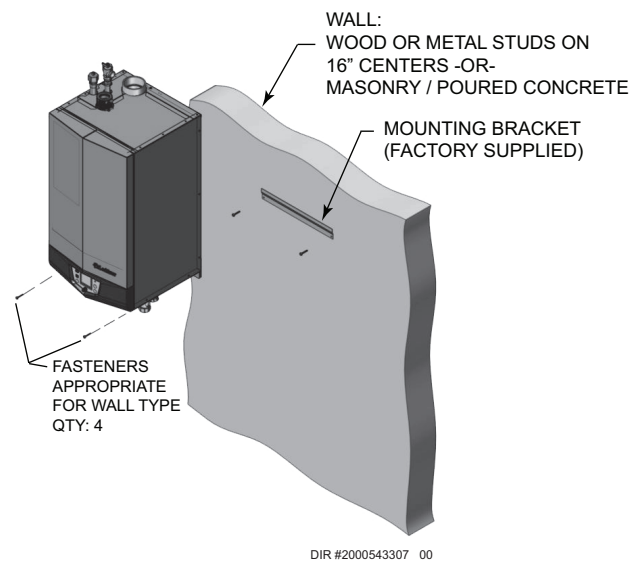
2. Mount the wall bracket using two (2) field supplied toggle bolts capable of supporting 100 pounds each.

Ensure the top edge of the bracket is away from the wall. Ensure the bracket is level when mounted. Extreme care is needed to ensure the bolts are secured in the center of the studs.

3. Hang the boiler on the bracket and secure the bottom of the boiler with two (2) field supplied toggle bolts.

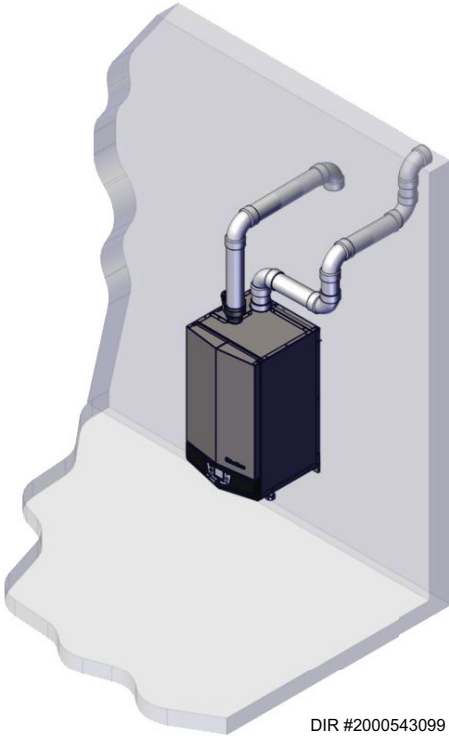
**WARNING** The boiler is too heavy for a single person to lift. A minimum of two people is needed for mounting the boiler onto the bracket.

Figure 2-3 Mounting the Boiler



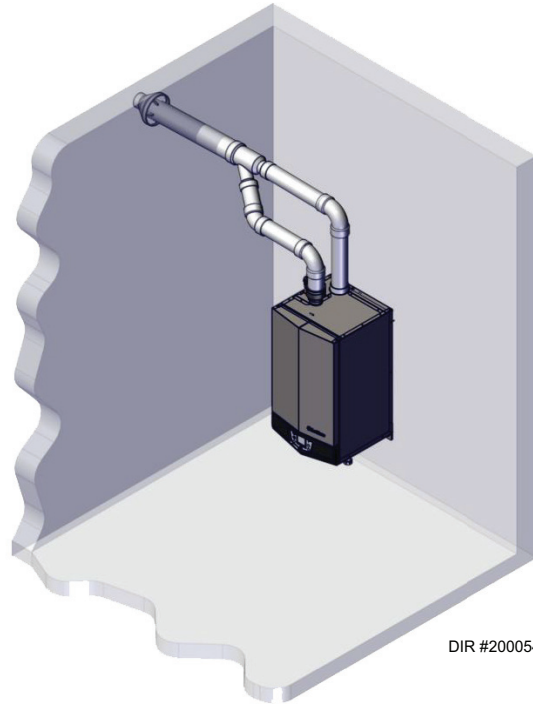
### 3 General venting

#### Direct venting options - Sidewall Vent



DIR #2000543099 00

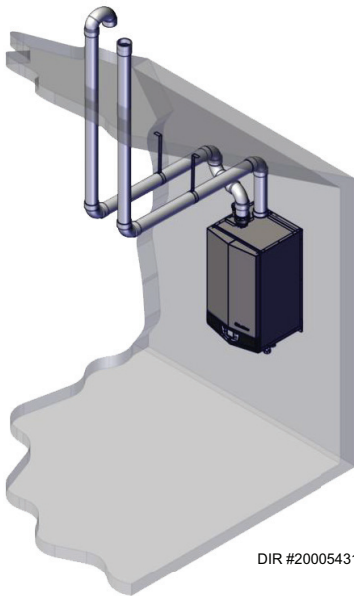
**Figure 3-1** Two-Pipe Sidewall Termination



DIR #2000543112 00

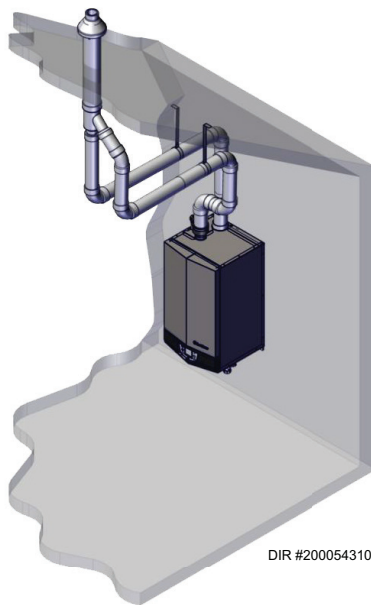
**Figure 3-2** PVC/CPVC Concentric Sidewall Termination

#### Direct venting options - Vertical Vent



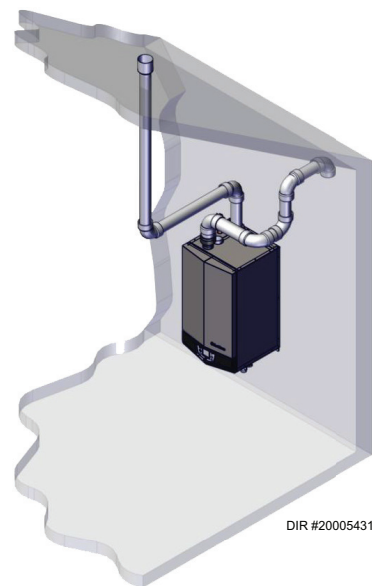
DIR #2000543103 00

**Figure 3-3** Two-Pipe Vertical Termination



DIR #2000543106 00

**Figure 3-4** PVC/CPVC Concentric Vertical Termination



DIR #2000543107 00

**Figure 3-5** Vertical Vent, Sidewall Air

### 3 General venting

#### Install vent and combustion air piping

**⚠ DANGER** The Knight Wall Hung Fire Tube boiler must be vented and supplied with combustion and ventilation air as described in this section. Ensure the vent and air piping and the combustion air supply comply with these instructions regarding vent system, air system, and combustion air quality. See also Section 1 of this manual.

Inspect finished vent and air piping thoroughly to ensure all are airtight and comply with the instructions provided and with all requirements of applicable codes. Failure to provide a properly installed vent and air system will cause severe personal injury or death.

**⚠ WARNING** This appliance requires a special venting system. Use only approved stainless steel, PVC, CPVC, or polypropylene pipe and fittings listed for vent pipe, and fittings. Failure to comply could result in severe personal injury, death, or substantial property damage.

**⚠ WARNING** DO NOT mix components from different systems. The vent system could fail, causing leakage of flue products into the living space. Mixing of venting materials will void the warranty and certification of the appliance.

**⚠ WARNING** Do not connect any other appliance to the vent pipe or multiple boilers to a common vent pipe. Failure to comply could result in severe personal injury, death, or substantial property damage.

**⚠ WARNING** For closet and alcove installations, CPVC, polypropylene, or stainless steel material **MUST BE** used in a closet/alcove structure. Failure to follow this warning could result in fire, personal injury, or death.

**⚠ CAUTION** Improper installation of venting systems may result in injury or death.

**NOTICE** Installation must comply with local requirements and with the National Fuel Gas Code, ANSI Z223.1 for U.S. installations or CSA B149.1 for Canadian installations.

You may use any of the vent / air piping methods covered in this manual. Do not attempt to install the Knight Wall Hung Fire Tube boiler using any other means. Follow the procedures in this manual for the method chosen.

#### Air intake/vent connections

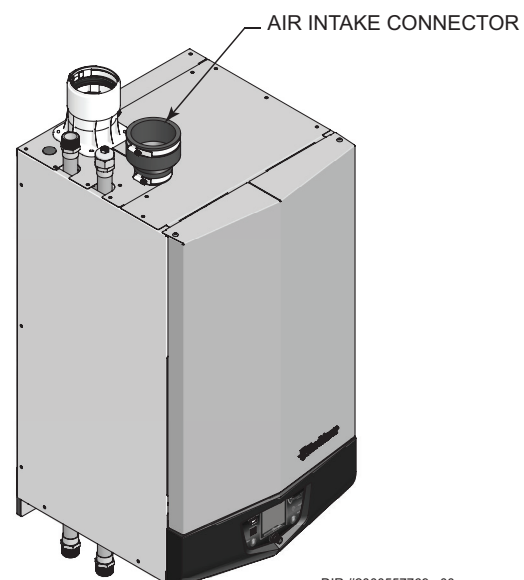
- 1. Combustion Air Intake Connector** (FIG. 3-6) - Used to provide combustion air directly to the unit from outdoors. On Models 110 - 399 a fitting is provided on the unit for final connection. Combustion air piping must be supported per guidelines listed in the National Mechanical Code, Section 305, Table 305.4 or as local codes dictate.
- 2. Vent Connector** - Used to provide a passageway for conveying combustion gases to the outside. A transition fitting sized for PVC/CPVC, polypropylene, or stainless steel is provided on the unit for final connection. Reference the appropriate venting section to determine if an adapter is needed to connect to the specific manufacturer's vent. Vent piping must be supported per the National Building Code, Section 305, Table 305.4 or as local codes dictate.

#### Air intake / vent terminations

The Knight Wall Hung Fire Tube boiler vent and air piping can be installed through the roof or through a sidewall. Intake air must be supplied from outside to the boiler air intake adapter unless following the Optional Room Air instructions in this manual. The resultant installation is direct vent (sealed combustion). Use only approved stainless steel, PVC, CPVC, or polypropylene vent terminations listed. The location and orientation of vent and air terminations must comply with the requirements given in Section 3 through 5. Vent and air must terminate near one another unless otherwise specified. Ensure the location and orientation of the vent and air terminations are met and comply with the requirements given in the Sidewall Direct Venting or Vertical Direct Venting Section.

Approved Air Intake Terminations	Approved Vent Terminations
<ul style="list-style-type: none"> <li>• Elbow with Screen</li> <li>• Stainless Steel Hood Intake</li> <li>• Room Air Kit (see Table 3A)</li> </ul>	<ul style="list-style-type: none"> <li>• Elbow with Screen</li> <li>• Coupling with Screen                             <ul style="list-style-type: none"> <li>• Rain Cap</li> <li>• Chimney Cover</li> </ul> </li> </ul>
<b>Approved Vent Kits</b>	
<ul style="list-style-type: none"> <li>• Sidewall Vent Kit (see Table 3B)</li> <li>• Concentric Vent Kit (see Table 3C)</li> </ul>	
<b>NOTE:</b> When using the Sidewall Vent Kit with polypropylene, an adapter kit must be used.	

**Figure 3-6 Near Boiler Air Intake / Vent Connections**





## 3 General venting *(continued)*

### Air intake / vent location

The total length of piping for vent or air must not exceed the limits given in the General Venting - Sizing Section. Follow all instructions given in the specific venting section. Locate the vent / air terminations using the following guidelines:

1. Position the vent termination where vapors will not damage nearby shrubs, plants, air conditioning equipment, or be objectionable.
2. The flue products will form a noticeable plume as they condense in cold air. Avoid areas where the plume could obstruct window views.
3. Prevailing winds could cause freezing of condensate and water /ice build-up where flue products impinge on building surfaces or plants.
4. Avoid possibility of accidental contact of flue products with people or pets.
5. Do not locate the terminations where wind eddies could affect performance or cause recirculation, such as inside building corners, near adjacent buildings or surfaces, window wells, stairwells, alcoves, courtyards, or other recessed areas.
6. Do not terminate above any door or window. Condensate can freeze, causing ice formations.
7. Locate or guard vent to prevent condensate damage to exterior finishes.
8. Locate terminations so they are not likely to be damaged by foreign objects, such as stones or balls, or subject to build-up of leaves or sediment.
9. Vent must terminate:
  - At least 6 feet from adjacent walls.
  - No closer than 12 inches below roof overhang.
  - At least 7 feet above any public walkway.
  - At least 3 feet above any forced air intake within 10 feet.
  - No closer than 12 inches below or horizontally from any door or window or any other gravity air inlet.
10. Do not terminate closer than 4 feet horizontally from any electric meter, gas meter, regulator, relief valve, or other equipment. Never terminate above or below any of these within 4 feet horizontally.
11. Air inlet must terminate at least 12 inches above grade or snow line, and at least 12 inches below the vent.

### Optional room air

Commercial applications utilizing the Knight Wall Hung Fire Tube boiler may be installed with a single pipe carrying the flue products to the outside while using combustion air from the equipment room.

**Table 3A** *Optional Room Air Kit*

Model	Vent Size	Kit Number
55 - 85	2 inch	100157614
110 - 285	3 inch	100157615
399	4 inch	100157616

#### NOTICE

Optional room air is intended for commercial applications. Combustion air piping to the outside is recommended for residential applications.

In order to use the room air venting option the following conditions and considerations must be followed.

- The unit **MUST** be installed with the appropriate room air kit.
- The equipment room **MUST** be provided with properly sized openings to assure adequate combustion air. Please refer to instructions provided with the room air kit.
- There will be a noticeable increase in the noise level during normal operation from the inlet air opening.
- Using the room air kit makes the unit vulnerable to combustion air contamination from within the building. Take precautions to ensure proper installation.
- Vent system and terminations must comply with the standard venting instructions set forth in this manual.

#### WARNING

When utilizing the single pipe method, provisions for combustion and ventilation air must be in accordance with Air for Combustion and Ventilation, of the latest edition of the National Fuel Gas Code, ANSI Z223.1, in Canada, the latest edition of CGA Standard B149 Installation Code for Gas Burning Appliances and Equipment, or applicable provisions of the local building codes.

### Air contamination

Pool and laundry products and common household and hobby products often contain fluorine or chlorine compounds. When these chemicals pass through the boiler, they can form strong acids. The acid can eat through the boiler wall, causing serious damage and presenting a possible threat of flue gas spillage or boiler water leakage into the building.

Please read the information given in Table 1B listing contaminants and areas likely to contain them. If contaminating chemicals will be present near the location of the boiler combustion air inlet, have your installer pipe the boiler combustion air and vent to another location, per this manual.

#### WARNING

If the boiler combustion air inlet is located in a laundry room or pool facility, for example, these areas will always contain hazardous contaminants.

#### WARNING

To prevent the potential of severe personal injury or death, check for areas and products listed in Table 1B before installing the boiler or air inlet piping.

If contaminants are found, you **MUST**:

- Remove contaminants permanently.
- OR—
- Relocate air inlet and vent terminations to other areas.

### 3 General venting

#### Requirements for installation in Canada

1. Installations must be made with a vent pipe system certified to ULC S636.
2. The first three (3) feet of plastic vent pipe from the appliance flue outlet must be readily accessible for visual inspection.
3. The components of the certified vent system must not be interchanged with other vent systems or unlisted pipe/fittings. For existing concentric vent installations, the inner vent tube must be replaced with field supplied certified vent material to comply with this requirement.
4. The 2", 3" and 4" Concentric and Sidewall Vent Kits available from Lochinvar, IPEX, and Centrotherm (see Tables 3B and 3C) are approved for use on the Knight Wall Hung Fire Tube boiler. All kits are listed to the ULC S636 standard for use in Canada.

**Table 3B Approved Sidewall Vent Kits**

Vent Diameter	Vent Supplier	Part Number
2 inch	Lochinvar	100157609
3 inch	Lochinvar	100157610
4 inch	Lochinvar	100157611
2 inch	Centrotherm	ISLPT0202
3 inch	Centrotherm	ISLPT0303
4 inch	Centrotherm	ISLPT0404

**Table 3C Approved Concentric Vent Systems**

Vent Diameter	Lochinvar PVC	IPEX PVC	IPEX CPVC
2 inch	100140485	196005	--
3 inch	100274637	196006	197009
4 inch	100140484	196021	197021

Vent Diameter	Centrotherm Roof Terminations	Centrotherm Wall Terminations
2 inch	ICRT2435	ICWT242
3 inch	ICRT3539	ICWT352
4 inch	ICRT4679	ICWT462

#### Sizing

The Knight Wall Hung Fire Tube boiler uses model specific combustion air intake and vent piping sizes as detailed in Table 3D. When venting with flexible polypropylene, refer to the General Venting - Polypropylene Section for allowable vent diameters and maximum lengths.

If the specific polypropylene vent manufacturer's instructions do not list equivalent lengths for standard fittings, reference Table 3E for guidelines.

Unless otherwise stated by the vent manufacturer, add 5 feet for each 90° elbow and 3 feet for each 45° elbow of PVC/CPVC or stainless steel venting material.

**Table 3D Air Intake/Vent Piping Sizes**

Model	Inlet Diameter	Vent Diameter	Maximum Equivalent Length
55	2 inches / 3 inches	2 inches / 3 inches	80 feet / 100 feet
85	2 inches / 3 inches	2 inches / 3 inches	50 feet / 100 feet
110	2 inches / 3 inches	2 inches / 3 inches	40 feet / 100 feet
155	3 inches	3 inches	100 feet
199	3 inches	3 inches	100 feet
285	3 inches / 4 inches	3 inches / 4 inches	50 feet / 100 feet
399	4 inches	4 inches	100 feet

**Table 3E Equivalent Length Guidelines - Polypropylene**

Vent Ø	Vent Pipe	45° Elbow	90° Elbow	Tee
2 inch	1 ft	3 ft	5 ft	9 ft
3 inch	1 ft	4 ft	7 ft	15 ft
4 inch	1 ft	5 ft	10 ft	20 ft

See the Polypropylene Venting Section for flexible vent installation guidelines and specific manufacturer equivalent lengths.

**Table 3F Equivalent Length - Concentric Vent Kits**

Vent Diameter	Kit Number	Equivalent Length
2 inch	100140485	30 ft
3 inch	100269005	30 ft
4 inch	100140484	30 ft

#### NOTICE

10 feet of 2" polypropylene pipe + (4) 90° elbows + 10 + 4(5) + 2(3) = 46 equivalent feet

#### NOTICE

Increasing or decreasing combustion air or vent piping sizes is not authorized, unless referenced in manual.

#### NOTICE

For Models 55 - 110 using 2" venting and Model 285 using 3" venting, the first seven (7) equivalent feet of vent must be CPVC, polypropylene, or stainless steel (field supplied). This includes any transition piece used to increase or decrease the vent diameter.

#### NOTICE

The minimum combustion air and vent piping length is 12 equivalent feet.

The appliance output rating will reduce by up to 2.3% for each 25 feet of vent length. Consult factory to determine de-rate values.

## 3 General venting *(continued)*

### Materials

#### Air inlet pipe materials:

The air inlet pipe(s) must be sealed. Choose acceptable combustion air inlet pipe materials from the following list:

PVC, CPVC, Polypropylene, or ABS

Dryer Vent or Sealed Flexible Duct (not recommended for rooftop air inlet)

Galvanized steel vent pipe with joints and seams sealed as specified in this section.

Type “B” double-wall vent with joints and seams sealed as specified in this section.

AL29-4C, stainless steel material to be sealed to specification of its manufacturer.

An adapter may be required to transition between the air inlet connection on the appliance and the air inlet pipe.

**WARNING** Using air intake materials other than those specified can result in personal injury, death, or property damage.

**NOTICE** The use of double-wall vent or insulated material for the combustion air inlet pipe is recommended in cold climates to prevent the condensation of airborne moisture in the incoming combustion air.

Sealing of Type “B” double-wall vent material or galvanized vent pipe material used for air inlet piping on a sidewall or vertical rooftop combustion air supply system:

- Seal all joints and seams of the air inlet pipe using either aluminum foil duct tape meeting UL Standard 723 or 181A-P or a high quality UL Listed silicone sealant such as those manufactured by Dow Corning or General Electric.
- Do not install seams of vent pipe on the bottom of horizontal runs.
- Secure all joints with a minimum of three (3) sheet metal screws or pop rivets. Apply aluminum foil duct tape or silicone sealant to all screws or rivets installed in the vent pipe.
- Ensure that the air inlet pipes are properly supported.

The PVC, CPVC, or ABS air inlet pipe should be cleaned and sealed with the pipe manufacturer’s recommended solvents and standard commercial pipe cement for the material used. The PVC, CPVC, ABS, Dryer Vent, or Flex Duct air inlet pipe should use a silicone sealant to ensure a proper seal at the appliance connection and the air inlet cap connection. Dryer vent or flex duct should use a screw type clamp to seal the vent to the appliance air inlet and the air inlet cap. Proper sealing of the air inlet pipe ensures that combustion air will be free of contaminants and supplied in proper volume.

Follow the polypropylene manufacturer's instructions when using polypropylene material as an inlet pipe.

When a sidewall or vertical rooftop combustion air supply system is disconnected for any reason, the air inlet pipe must be resealed to ensure that combustion air will be free of contaminants and supplied in proper volume.

#### **⚠ DANGER**

Failure to properly seal all joints and seams as required in the air inlet piping may result in flue gas recirculation, spillage of flue products, and carbon monoxide emissions causing severe personal injury or death.

#### Vent pipe materials:

The Knight Wall Hung Fire Tube boiler requires a special vent system, designed for pressurized venting. Use only approved manufacturers and materials for vent pipe and fittings.

Refer to the appropriate PVC/CPVC, Polypropylene, or Stainless Steel Vent Section of this manual for approved manufacturers and additional information.

Approved materials certified for Category IV and Direct Vent appliance venting:

- PVC - Schedule 40, Schedule 80, DWV
- CPVC - Schedule 40, Schedule 80
- AL29-4C Stainless Steel - UL-1738 and ULC S636 Listed from approved manufacturers
- Polypropylene - ULC S636 Listed from approved manufacturers

### 3 General venting

#### PVC/CPVC

This product has been approved for use with the PVC/CPVC vent materials listed in Table 3G.

#### Installing vent and air piping

##### NOTICE

Use only cleaners, primers, and solvents that are approved for the materials which are joined together.

##### NOTICE

All PVC vent pipes must be glued, properly supported, and the exhaust must be pitched a minimum of a 1/4 inch per foot back to the boiler (to allow drainage of condensate).

##### CAUTION

Allow for all primers, glues, and cements to fully cure before start-up. Failure to follow this warning could result in property damage and/or personal injury.

##### WARNING

Insulation should not be used on PVC or CPVC venting materials. The use of insulation will cause increased vent wall temperatures, which could result in vent pipe failure.

1. Work from the boiler to vent or air termination. Do not exceed the lengths given in this manual for the air or vent piping.
2. Cut pipe to the required lengths and deburr the inside and outside of the pipe ends.
3. Chamfer outside of each pipe end to ensure even cement distribution when joining.
4. Clean all pipe ends and fittings using a clean dry rag. (Moisture will retard curing and dirt or grease will prevent adhesion.)
5. Dry fit vent or air piping to ensure proper fit up before assembling any joint. The pipe should go a third to two-thirds into the fitting to ensure proper sealing after cement is applied.
6. Priming and Cementing:
  - a. Handle fittings and pipes carefully to prevent contamination of surfaces.
  - b. Apply a liberal even coat of primer to the fitting socket and to the pipe end to approximately 1/2" beyond the socket depth.
  - c. Apply a second primer coat to the fitting socket.
  - d. While primer is still wet, apply an even coat of approved cement to the pipe equal to the depth of the fitting socket along with an even coat of approved cement to the fitting socket.
  - e. Apply a second coat of cement to the pipe.
  - f. While the cement is still wet, insert the pipe into the fitting, if possible twist the pipe a 1/4 turn as you insert it. **NOTE:** If voids are present, sufficient cement was not applied and joint could be defective.
  - g. Wipe excess cement from the joint removing ring or beads as it will needlessly soften the pipe.

**Table 3G PVC/CPVC Vent Pipe, and Fittings**

Approved PVC/CPVC Vent Pipe and Fittings		
Item	Material	Standard
Vent pipe	PVC Schedule 40, 80	ANSI/ASTM D1785
	PVC - DWV	ANSI/ASTM D2665
	CPVC Schedule 40, 80	ANSI/ASTM F441
Vent fittings	PVC Schedule 40	ANSI/ASTM D2466
	PVC Schedule 80	ANSI/ASTM D2467
	CPVC Schedule 40	ANSI/ASTM F438
	CPVC Schedule 80	ANSI/ASTM F439
	PVC - DMV	ANSI/ASTM D2665
Pipe Cement / Primer	PVC	ANSI/ASTM D2564
	CPVC	ANSI/ASTM F493
<b>NOTICE: DO NOT USE CELLULAR (FOAM) CORE PIPE</b>		

**NOTE:** In Canada, CPVC and PVC vent pipe, fittings, and cement/primer must be ULC-S636 certified.

### 3 General venting *(continued)*

#### Polypropylene

This product has been approved for use with polypropylene venting from the manufacturers listed in Table 3H.

All terminations must comply with listed options in this manual and be a single-wall vent offering.

For support and special connections required, see the manufacturer's instructions. All vent is to conform to standard diameter and equivalent length requirements established in the General Venting - Sizing Section.

The vent connector provided with the unit is sized for PVC/CPVC, polypropylene, or stainless steel venting. An adapter is not required for the listed venting options, except for Centrotherm 4", which will require the use of a Centrotherm ISAAL0404 adapter.

#### Flexible polypropylene

For use of flex pipe, it is recommended to have the vent material in 32°F or higher ambient space before bending at installation. No bends should be made to greater than 45° and ONLY installed in vertical or near vertical installations.

When venting with flexible polypropylene it is acceptable to increase piping sizes by one vent diameter. Up-sized flexible polypropylene may be considered as equivalent to one (1) foot of smaller diameter rigid pipe. Do not exceed the maximum flexible vent lengths given in Table 3I. When venting with same diameter flexible and rigid pipe refer to Table 3J for manufacturer equivalent vent lengths.

#### Sidewall vent kits

When using the Sidewall Vent Kit (see Table 3B), an adapter kit provided by the vent manufacturer must be used to make the final connection. Reference Table 3L for specific manufacturer's part numbers.

#### ⚠ WARNING

Use only the manufacturers and vent adapters listed. DO NOT mix vent systems of different types or manufacturers. Failure to comply could result in severe personal injury, death, or substantial property damage.

#### ⚠ WARNING

Insulation should not be used on polypropylene venting materials. The use of insulation will cause increased vent wall temperatures, which could result in vent pipe failure.

#### NOTICE

All vent connections MUST be secured by the vent manufacturer's joint connector. Installation of a polypropylene system should adhere to the manufacturer's installation instructions supplied with the vent system.

#### NOTICE

Installations must comply with applicable national, state, and local codes. For Canadian installation, polypropylene vent must be listed as a ULC S636 approved system.

**Table 3H Approved Polypropylene Vent Manufacturers**

Manufacturers	Model	Type
DuraVent	PolyPro	Single Wall / Flex
Centrotherm	InnoFlue	Single Wall / Flex
Heat Fab	PolyFlue	Single Wall / Flex
Z-Vent	Z-Dens	Single Wall / Flex

**Table 3I Flexible Polypropylene Maximum Vent Lengths**

Model	Maximum Flexible Vent Length (Rigid Equivalent)		
	2 inch Flex	3 inch Flex	4 inch Flex
55	40 ft (80 ft 2 inch)*	50 ft (100 ft 3 inch)*	100 ft (100 ft 3 inch)*
85	25 ft (50 ft 2 inch)*	50 ft (100 ft 3 inch)*	100 ft (100 ft 3 inch)*
110	20 ft (40 ft 2 inch)*	50 ft (100 ft 3 inch)*	100 ft (100 ft 3 inch)*
155	--	50 ft (100 ft 3 inch)*	100 ft (100 ft 3 inch)*
199	--	50 ft (100 ft 3 inch)*	100 ft (100 ft 3 inch)*
285	--	25 ft (50 ft 3 inch)*	50 ft (50 ft 3 inch)*
399**	--	--	50 ft (100 ft 4 inch)*

\*Length shown in parentheses reflects the maximum rigid pipe vent length.

\*\*Model 399 may be vented with 100 feet of Duravent 5 inch vent  
**NOTE:** Maximum vent lengths are based on 2 foot rigid equivalent. Reference Table 3J for specific manufacturer equivalent lengths.

**Table 3J Flexible Polypropylene Equivalent Length**

Manufacturer	Flexible Vent Diameter		
	2 inch	3 inch	4 inch
DuraVent	2 ft	2 ft	2 ft
Centrotherm	2 ft	2 ft	2.7 ft
Heat Fab	2.5 ft	2.3 ft	2.7 ft
Z-Flex	3.2 ft	2 ft	2 ft

**Table 3K Sidewall Vent Kit Adapters**

Manufacturer	Vent Diameter	Sidewall Adapter
DuraVent	(2", 3", 4")	(2,3,4)PPS-HLKL
Centrotherm	(2", 3", 4")	ISLTK0(2,3,4)
Z-Flex	(2", 3", 4")	2ZDHLKPA(2,3,4)

### 3 General venting

#### Stainless steel vent

This product has been approved for use with stainless steel venting from the manufacturers listed in Table 3L. The vent connector provided with the unit is sized for stainless steel venting. No additional vent adapter is needed to connect to the unit.

All terminations must comply with listed options in this manual and be a single-wall vent offering. See Table 3M for specific manufacturer terminations.

For support and special connections required, see the manufacturer's instructions. All vent is to conform to standard diameter and equivalent length requirements established.

#### FasNSeal Flex

Use of FasNSeal Flex smooth inner wall vent is to be used in vertical or near vertical sections ONLY, taking precaution to ensure no sagging occurs of the vent system. Connect to the FasNSeal rigid vent using specially designed adapters and sealing method. See manufacturer's instructions.

**Table 3L Approved Stainless Steel Vent**

Manufacturer	Model
DuraVent	FasNSeal / FasNSeal Flex
Heat Fab	Saf-T Vent EZ Seal
Z-Flex	Z-Vent

**Note:** DuraVent FasNSeal Flex stainless steel vent may be used as an equivalent substitute for rigid pipe.

#### ⚠ WARNING

Use only the materials, vent systems, and terminations from listed manufacturers. DO NOT mix vent systems of different types or manufacturers. Failure to comply could result in severe personal injury, death, or substantial property damage.

#### NOTICE

Installations must comply with applicable national, state, and local codes. Stainless steel vent systems must be listed as a UL-1738 approved system for the United States and a ULC S636 approved system for Canada.

#### NOTICE

Installation of a stainless steel vent system should adhere to the stainless steel vent manufacturer's installation instructions supplied with the vent system.

**Table 3M Stainless Steel Vent Terminations**

Manufacturer	Vent Diameter	Screen Termination*	Elbow with Screen*	Rain Cap*
DuraVent	(3", 4")	FSBS(3,4)	FSELB900(3,4) with FSBS(3,4)	FSRC(3,4)
Heat Fab	(3", 4")	9(3,4)90	9(3,4)14TERM	5(3,4)00CI
Z-Flex	(3", 4")	2SVSTPF0(3,4)	2SVSTEX0(3,4)90	2SVSRCF0(3,4)

\*To the best of our knowledge, manufacturer part numbers are accurate as of the date of publication, but may be subject to change. Contact the manufacturer to verify specific terminations.

## 4 Sidewall direct venting

### Vent/air termination – sidewall

**⚠ WARNING** Follow instructions below when determining vent location to avoid possibility of severe personal injury, death, or substantial property damage.

**⚠ WARNING** A gas vent extending through an exterior wall shall not terminate adjacent to a wall or below building extensions such as eaves, parapets, balconies, or decks. Failure to comply could result in severe personal injury, death, or substantial property damage.

**⚠ WARNING** Sidewall vent and air intake terminations must terminate in the same pressure zone.

### Determine location

Reference the General Venting - Air Intake / Vent Location Section of this manual for required clearances and guidelines on locating vent and air intake terminations.

When using a sidewall termination, follow installation instructions and maintain clearances as shown in this section:

1. Air inlet must terminate at least 12 inches above grade or snow line, and at least 12 inches below the vent termination.
2. For installations where the vent terminates in an elbow outside the building, the vent piping must not extend more than 24 inches vertically (FIG. 4-1). To prevent blockages due to freezing condensate, the recommended maximum length of vent piping is 15 inches.

Do not exceed the maximum lengths of the outside vent piping. Excessive length exposed to the low temperatures could cause freezing of condensate in the vent pipe, resulting in potential boiler shutdown.

3. Vent piping must terminate no closer than 12 inches below a roof overhand, or 12 inches below or horizontally from any door, window, or other gravity air inlet (FIG. 4-2).
4. Vent must terminate at least 3 feet above any forced air intake within 10 feet (FIG. 4-3).

### Multiple vent / air terminations

Multiple vent terminations must be placed to maintain a minimum clearance of 12 inches (U.S. installations) between the edge of the air inlet and adjacent vent outlet (FIG. 4-4).

For Canadian installations, provide clearances required by CSA B149.1 Installation Code.

The air inlet of a Knight Wall Hung Fire Tube boiler is part of a direct vent connection. It is not classified as a forced air intake with regard to spacing from adjacent boiler vents.

**⚠ WARNING** All vent pipes and air inlets must terminate at the same height to avoid recirculation of flue products and the possibility of severe personal injury, death, or substantial property damage.

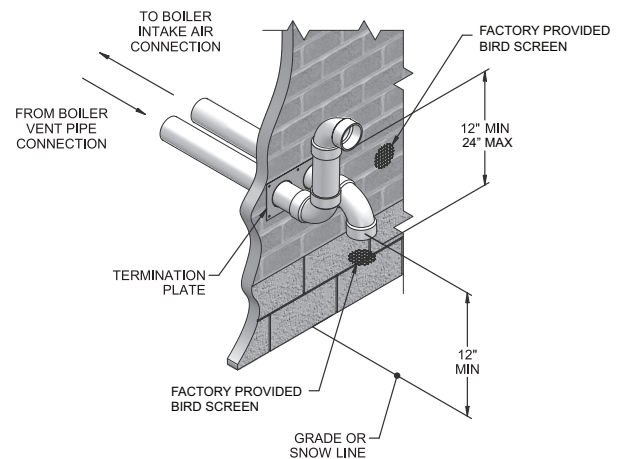
### Sidewall vent kit

When venting out a sidewall using PVC, CPVC, or polypropylene vent material, an optional sidewall vent termination kit can be ordered (FIG. 4-5A). See General Venting Section for kit numbers.

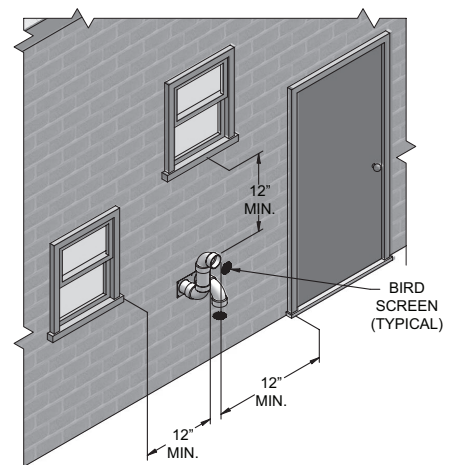
### Field supplied fittings

The air piping must terminate in a down-turned elbow. This arrangement avoids recirculation of flue products into the combustion air stream. The vent piping must terminate in an elbow pointed outward or away from the air inlet, as shown in FIG. 4-5B.

**Figure 4-1** Field Supplied Fittings with Vent Termination Elbow



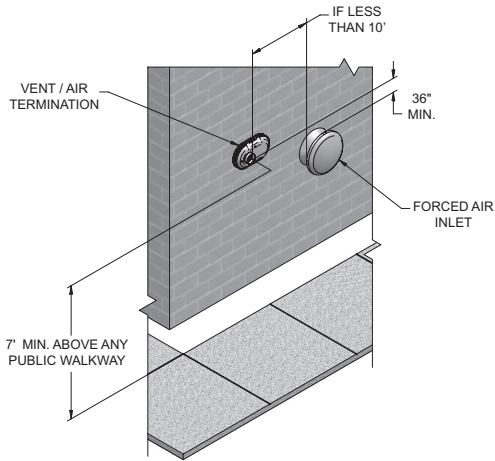
**Figure 4-2** Clearance to Gravity Air Inlets (Field Supplied Fittings Shown)



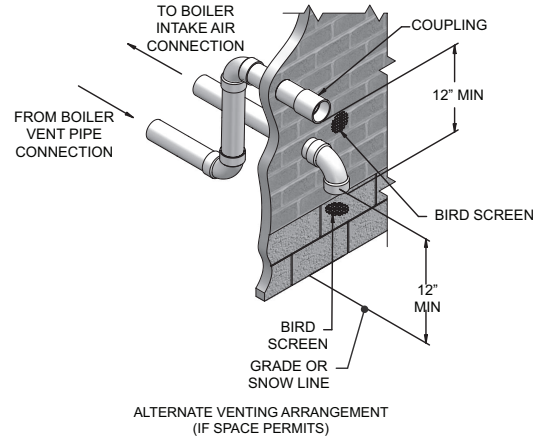
# 4 Sidewall direct venting

## Vent/air termination – sidewall

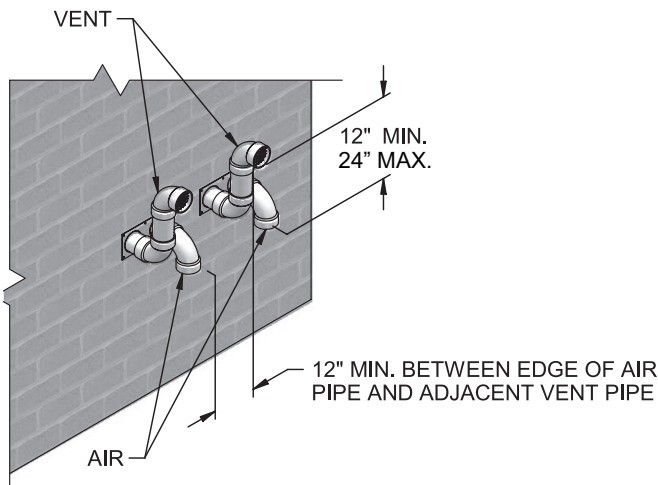
**Figure 4-3 Clearance to Forced Air Inlets (Sidewall Vent Kit Shown)**



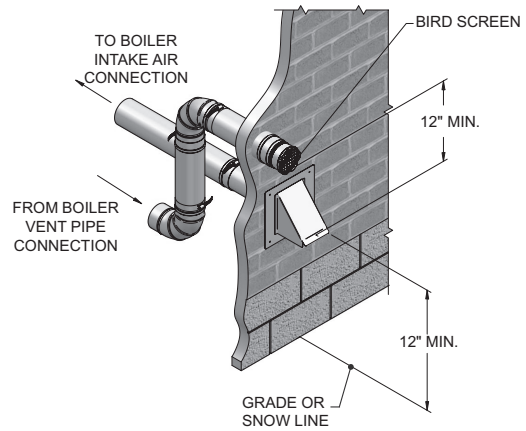
**Figure 4-5B Field Supplied Fittings with Vent Termination Coupling**



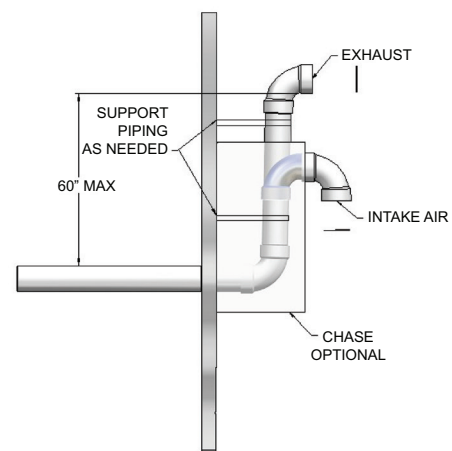
**Figure 4-4 Multiple Vent Terminations (Field Supplied Fittings Shown)**



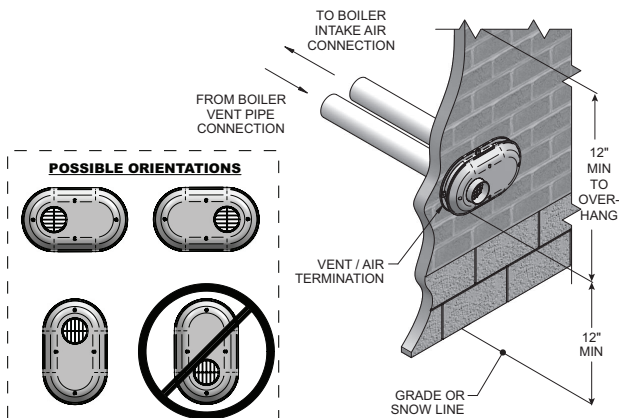
**Figure 4-5C Typical Stainless Steel Sidewall Termination with Field Supplied Fittings and Hood Intake**



**Figure 4-5D Sidewall Snorkel Vent Installation - Side View**



**Figure 4-5A Sidewall Vent Kit**





## 4 Sidewall direct venting *(continued)*

### Vent/air termination – sidewall

#### Prepare wall penetrations - Sidewall vent kit

The PVC/CPVC and polypropylene sidewall vent terminations are designed to accommodate any wall thickness of standard construction.

Install the sidewall vent kit as shown in FIG. 4-6 and per the directions found in this manual.

1. Use the factory supplied wall plate as a template to locate the vent and air intake holes and mounting holes.
2. Cut a hole for the air pipe. Size the air pipe hole as close as desired to the air pipe outside diameter.
3. Cut a hole for the vent pipe. For either combustible or noncombustible construction, size the vent pipe hole with at least a 1/2 inch clearance around the vent pipe outer diameter:
  - 3½ inch hole for 2 inch vent pipe
  - 4½ inch hole for 3 inch vent pipe
  - 5½ inch hole for 4 inch vent pipe

4. Drill 3/16" diameter holes for inserting the plastic anchors into the wall.

5. **Polypropylene Venting:** Install the vent and air intake sidewall adapters listed in the General Venting - Polypropylene Section into the vent plate. Slide the sidewall retaining bracket down the sidewall adapters flush to the vent plate.

**PVC/CPVC Venting:** Install the vent and air intake piping through the wall into the vent plate openings. Use RTV silicone sealant to seal the air pipe. Use the cement/primer listed in the General Venting - PVC/CPVC Section to seal the vent pipe.

6. Mount and secure the vent plate to the wall, using stainless steel screws.
7. Seal all gaps between the pipes and wall. Seal around the plate to the wall assuring no air gaps.
8. Assemble the vent cap to the vent plate. Insert the stainless steel screws into the vent cap screw hole openings and securely attach the vent cap to the vent plate.
7. Seal all wall cavities and exterior openings.

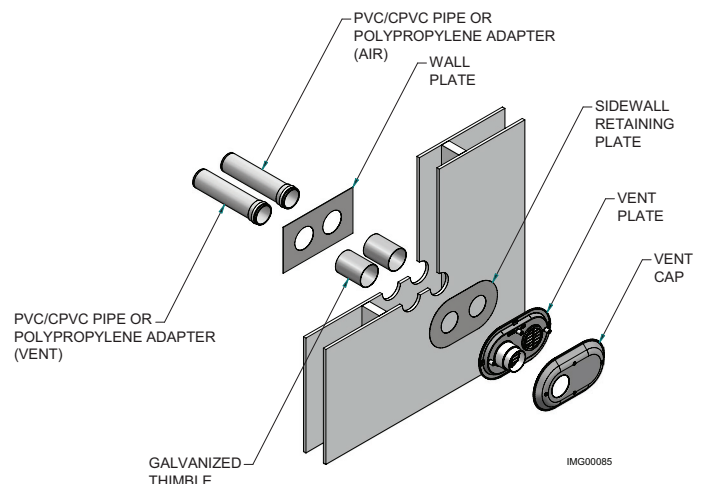
#### Prepare wall penetrations - Field supplied fittings

PVC/CPVC and polypropylene sidewall vent terminations are designed to accommodate any wall thickness of standard construction. Stainless steel terminations are designed to penetrate a wall with a thickness up to 9.25 inches of standard construction.

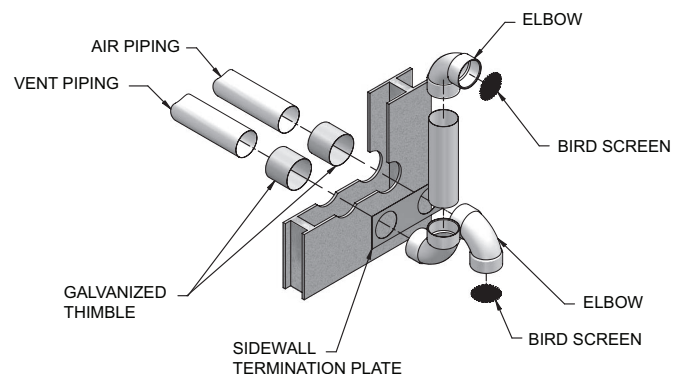
1. Cut a hole for the air pipe. Size the air pipe hole as close as desired to the air pipe outside diameter.

2. Cut a hole for the vent pipe. For either combustible or noncombustible construction, size the vent pipe hole with at least a 1/2 inch clearance around the vent pipe outer diameter:
  - 3½ inch hole for 2 inch vent pipe
  - 4½ inch hole for 3 inch vent pipe
  - 5½ inch hole for 4 inch vent pipe
3. Insert a galvanized metal thimble in the vent pipe hole as shown in FIG. 4-7.
4. For installations using a vent elbow termination, use the sidewall termination plate as a template for correct location of hole centers.
5. Follow all local codes for isolation of vent pipe when passing through floors or walls.
6. Seal exterior openings thoroughly with exterior caulk.

**Figure 4-6 Sidewall Vent Kit Assembly**



**Figure 4-7 Field Supplied Termination Assembly**



# 4 Sidewall direct venting

## Sidewall termination – optional concentric vent

### Description and usage

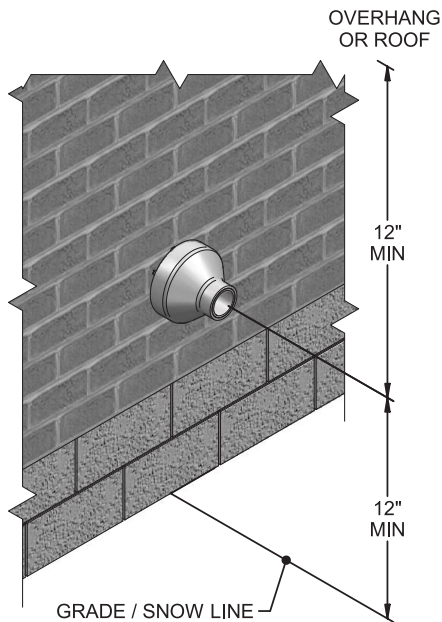
Lochinvar offers optional concentric combustion air and vent pipe termination kits (see the General Venting Section for part numbers). Both combustion air and vent pipes must attach to the termination kit. The termination kits must terminate outside the structure and must be installed as described in the General Venting - Air Intake / Vent Location Section, and as shown below in FIG. 4-8.

The required combustion air and vent pipe materials are listed in the General Venting - PVC/CPVC Section of this manual.

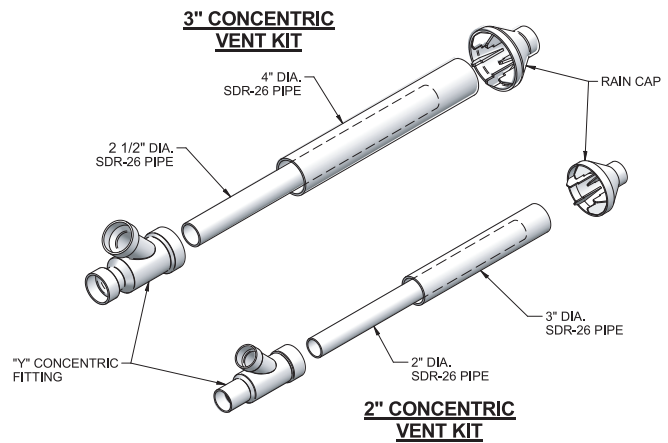
### Concentric sidewall installation

- Cut one (1) hole into the structure to install the termination kit.
  - 5 inch diameter for 2 inch concentric vent kit
  - 4 inch diameter for 3 inch concentric vent kit
  - 7 inch diameter for 4 inch concentric vent kit
- Partially assemble the concentric vent termination kit. Clean and cement using the procedures found in these instructions (FIG.'s 4-9A and 4-9B).
  - Cement the Y concentric fitting to the larger kit pipe.
  - Cement the rain cap to the smaller diameter kit pipe.

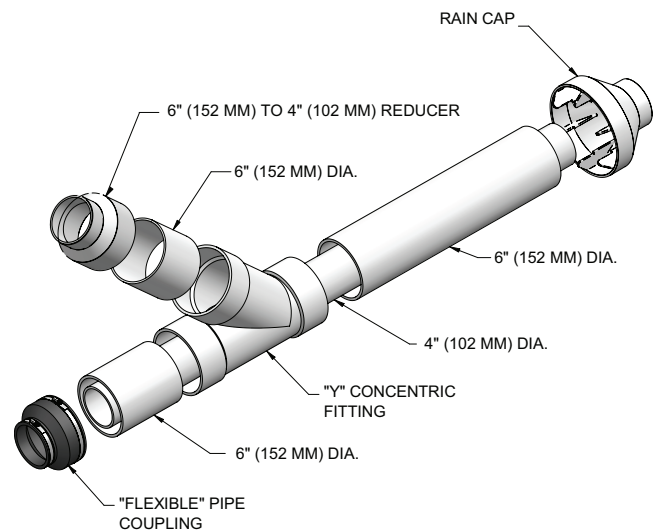
**Figure 4-8 Concentric Sidewall Termination**



**Figure 4-9A 2 and 3 Inch Concentric Vent Kits (reference the General Venting Section)**



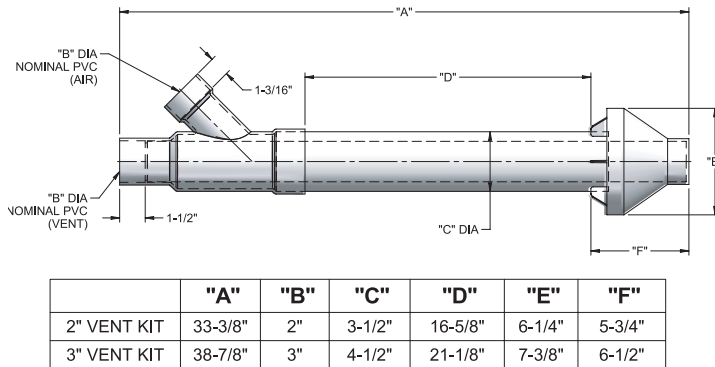
**Figure 4-9B 4 Inch Concentric Vent Kit (reference the General Venting Section)**



## 4 Sidewall direct venting *(continued)*

### Sidewall termination – optional concentric vent

**Figure 4-10A** 2 and 3 Inch Concentric Vent Dimensions *(reference the General Venting Section)*



#### NOTICE

Instead of cementing the smaller pipe to the rain cap, a field supplied stainless steel screw may be used to secure the two (2) components together when field disassembly is desired for cleaning (see FIG. 4-11).

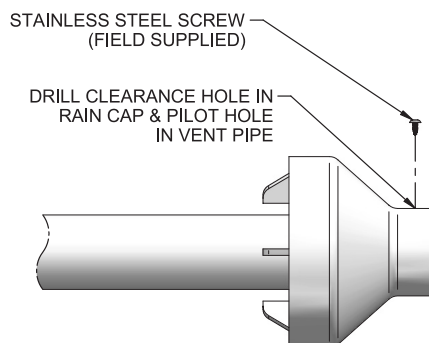
#### WARNING

When using the alternate screw assembly method, drill a clearance hole in the rain cap and a pilot hole in the vent pipe for the screw size being used. Failure to drill adequate holes may cause cracking of PVC components, allowing combustion products to be recirculated. Failure to follow this warning could result in personal injury or death.

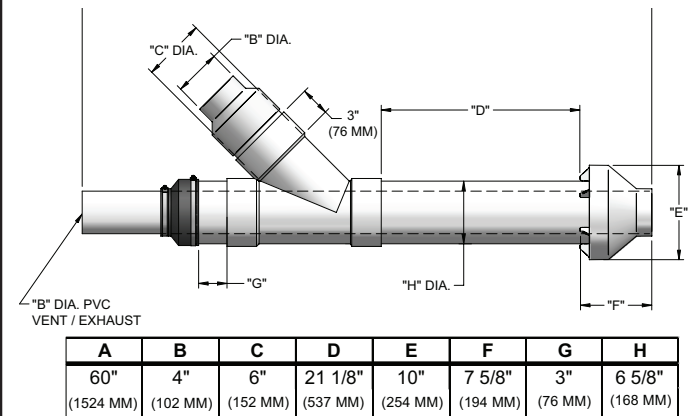
#### WARNING

Do not operate the appliance with the rain cap removed or recirculation of combustion products may occur. Water may also collect inside the larger combustion air pipe and flow to the burner enclosure. Failure to follow this warning could result in product damage or improper operation, personal injury, or death.

**Figure 4-11** Rain Cap to Vent Pipe Alternate Assembly



**Figure 4-10B** 4 Inch Concentric Vent Dimensions *(reference the General Venting Section)*



3. Install the Y concentric fitting and pipe assembly through the structure's hole from an inside wall.

#### NOTICE

Do not allow insulation or other materials to accumulate inside the pipe assembly when installing through the hole.

4. Install the rain cap and small diameter pipe assembly into the Y concentric fitting and large pipe assembly from an outside wall. Ensure small diameter pipe is bottomed and cemented in the Y concentric fitting for 2 and 3 inch installations and fastened tightly into the rubber adapter for 4 inch installations.
5. Secure the assembly to the structure as shown in FIG. 4-12 using field supplied metal strapping or equivalent support material.

#### NOTICE

Ensure termination location clearance dimensions are as shown in FIG. 4-8.

#### NOTICE

If assembly needs to be extended to allow sidewall thickness requirement, the two (2) pipes supplied in the kit may be replaced by using the same diameter, field supplied SDR-26 PVC (D2241) pipe for 2 and 3 inch kits and standard Schedule 40 PVC for 4 inch. Do not exceed dimension "D" more than 60 inches (see FIG.'s 4-10A and 4-10B).

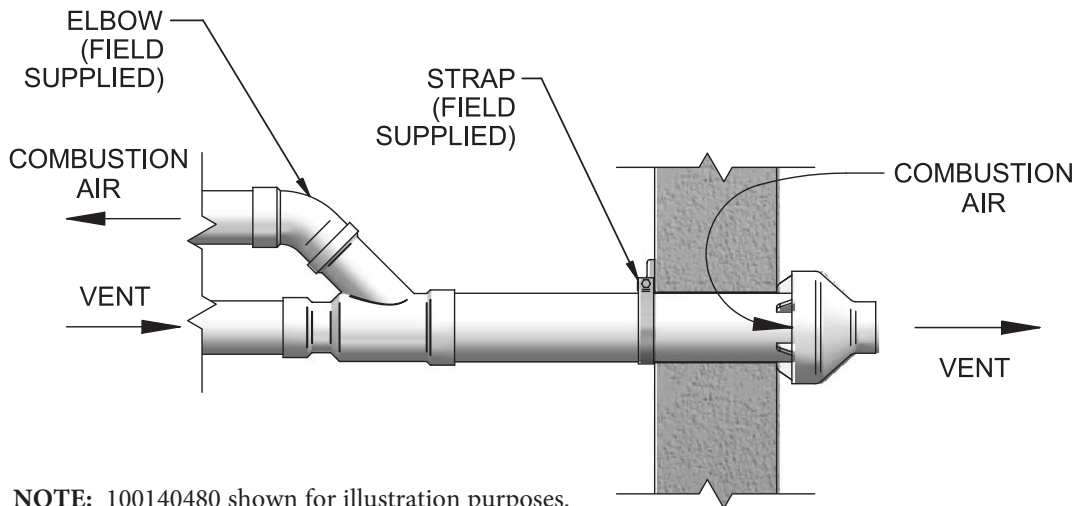
#### NOTICE

If assembly depth needs to be reduced, dimension D can be as short as possible.

## 4 Sidewall direct venting

### Sidewall termination – optional concentric vent

Figure 4-12 Concentric Vent Sidewall Attachment



NOTE: 100140480 shown for illustration purposes.

#### CAUTION

DO NOT use field supplied couplings to extend pipes. Airflow restriction will occur and may cause intermittent operation.

6. Cement appliance combustion air and vent pipes to the concentric vent termination assembly. See FIG. 4-12 for proper pipe attachment.
7. Operate the appliance one (1) heat cycle to ensure combustion air and vent pipes are properly connected to the concentric vent termination connections.

#### Multi-venting sidewall terminations

When two (2) or more direct vent appliances are vented near each other, each appliance must be individually vented (see FIG. 4-13). NEVER common vent or breach vent this appliance. When two (2) or more direct vent appliances are vented near each other, two (2) vent terminations may be installed as shown in FIG. 4-13. It is important that vent terminations be made as shown to avoid recirculation of flue gases.

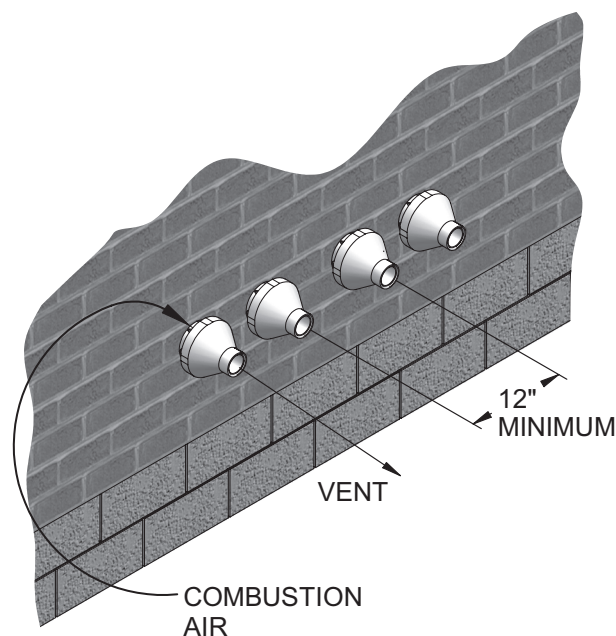


Figure 4-13 Concentric Vent and Combustion Air Termination

## 5 Vertical direct venting

### Vent/air termination – vertical

**WARNING** Follow instructions below when determining vent location to avoid possibility of severe personal injury, death or substantial property damage.

#### Determine location

Reference the General Venting - Air Intake / Vent Location Section of this manual for required clearances and guidelines on locating vent and air intake terminations.

When using vertical termination methods, follow installation instructions and maintain clearances as shown in this section.

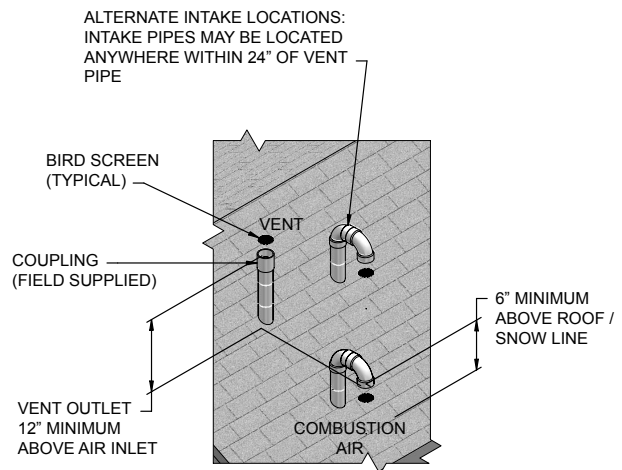
1. The air intake must terminate in a down-turned 180° return pipe with a bird screen installed.
2. The vent pipe must terminate in either an up-turned coupling with a bird screen installed or a stainless steel rain cap.
3. The air intake must terminate at least 6 inches above the roof or snow line.
4. The vent must terminate at least 3 feet (36 inches) above the highest place in which the vent penetrates the roof and at least 2 feet (24 inches) above any part of a building within 10 horizontal feet.
5. The top of the PVC/CPVC or polypropylene vent coupling must be at least 1 foot (12 inches) above the air intake.

The discharge opening of a stainless steel coupling or rain cap termination must maintain at least 3 feet (36 inches) above the air inlet.

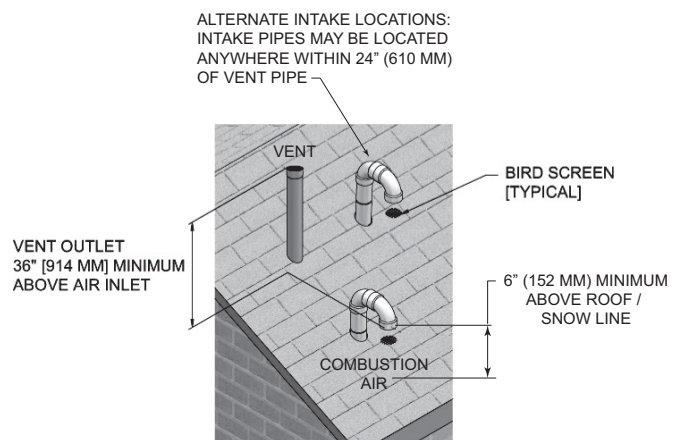
6. The air inlet pipe and vent pipe can be located in any desired position on the roof, but must always be no further than 2 feet (24 inches) apart. This placement avoids recirculation of flue products into the combustion air stream.
7. Do not extend exposed vent pipe outside of building more than shown in this document. Condensate could freeze and block vent pipe.

**WARNING** Rooftop vent and air inlet terminations must terminate in the same pressure zone, unless vertical vent sidewall air is set up as shown in the General Venting - Vertical Vent, Sidewall Air Section.

**Figure 5-1A** PVC/CPVC/Polypropylene Vertical Termination of Air and Vent



**Figure 5-1B** Stainless Steel Vertical Termination of Air and Vent



#### Multiple vent / air terminations

Multiple vent terminations must be placed to maintain a minimum clearance of 12 inches (U.S. installations) between the edge of the air inlet and adjacent vent outlet (FIG. 5-2A).

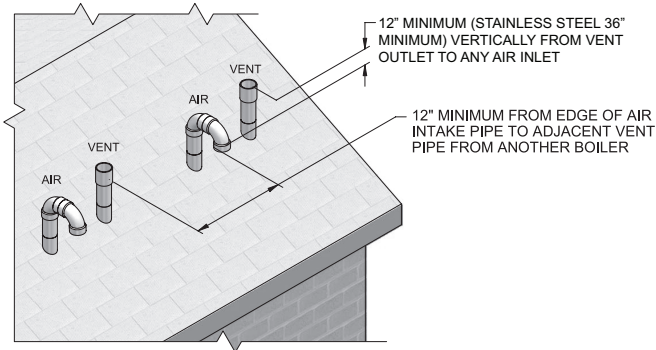
For Canadian installations, provide clearances required by CSA B149.1 Installation Code.

The air inlet of a Knight Wall Hung Fire Tube boiler is part of a direct vent connection. It is not classified as a forced air intake with regard to spacing from adjacent boiler vents.

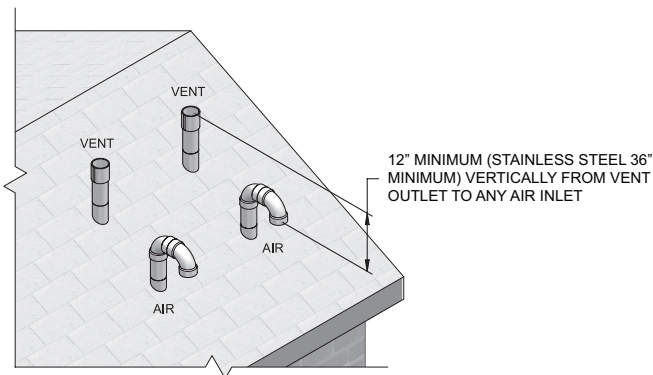
# 5 Vertical direct venting

## Vent/air termination – vertical

**Figure 5-2A Vertical Terminations with Multiple Boilers**



**Figure 5-2B Alternate Vertical Terminations with Multiple Boilers**



### **WARNING**

Terminate all vent pipes at the same height and all air pipes at the same height to avoid possibility of severe personal injury, death, or substantial property damage.

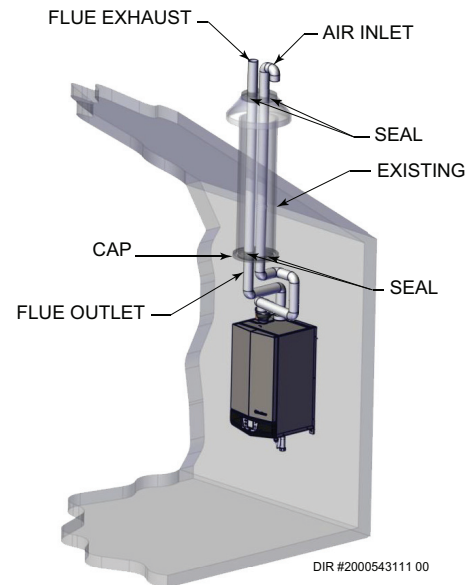
### Prepare roof penetrations

1. Cut a hole for the air pipe. Size the air pipe hole as close as desired to the air pipe outside diameter.
2. Cut a hole for the vent pipe. For either combustible or noncombustible construction, size the vent pipe hole with at least a 1/2 inch clearance around the vent pipe outer diameter:
  - 3 1/2 inch hole for 2 inch vent pipe
  - 4 1/2 inch hole for 3 inch vent pipe
  - 5 1/2 inch hole for 4 inch vent pipe
3. Insert a galvanized metal thimble in the vent pipe hole.
4. Maintain clearances as described in both the General Venting and the Vertical Direct Venting sections of this manual.
5. Follow all local codes for isolation of vent pipe when passing through floors, ceilings, and roofs.
6. Provide flashing and sealing boots sized for the vent and air pipe.

### Existing vent as a chase

Follow all existing termination and clearance requirements and allowable pipe lengths. Use only approved venting materials listed in the General Venting Section of this manual.

**Figure 5-3 Existing Vent as a Chase**



\*For concept illustration only. Individual installations may vary due to job site specific equipment.

## 5 Vertical direct venting *(continued)*

### Vertical termination – optional concentric vent

Lochinvar offers an optional concentric combustion air and vent pipe termination kit. Both combustion air and vent pipes must attach to the termination kit. The kit must terminate outside the structure and must be installed as shown in this section.

Field supplied pipe and fittings are required to complete the installation. The required combustion vent pipe and fittings are listed in the General Venting Section of this manual.

#### Vertical termination installation

Maintain clearances as described in both the General Venting and the Vertical Direct Venting sections of this manual, where applicable.

1. Cut one (1) hole (5 inch diameter for 2 inch installations, 4 inch diameter for 3 inch installations, or 7 inch diameter for 4 inch installations) into the structure to install the termination kit.
2. Partially assemble the concentric vent termination kit. Clean and cement following the cleaning procedures in these instructions.
  - a. Cement the Y concentric fitting to the larger diameter kit pipe.
  - b. Cement rain cap to the smaller diameter kit pipe.

See the Sidewall Direct Venting - Optional Concentric Vent Section for details.

3. Install the Y concentric fitting pipe assembly up through the structure's hole and field supplied roof boot/flashing.
4. Secure the assembly to the roof structure as shown in FIG. 5-4 using field supplied metal strapping or equivalent support material.
5. Cement the appliance combustion air and vent pipes to the concentric vent termination assembly. See FIG. 5-4 for proper pipe attachment.
6. Operate the appliance through one (1) heat cycle to ensure combustion air and vent pipes are properly connected to the concentric vent termination connections.

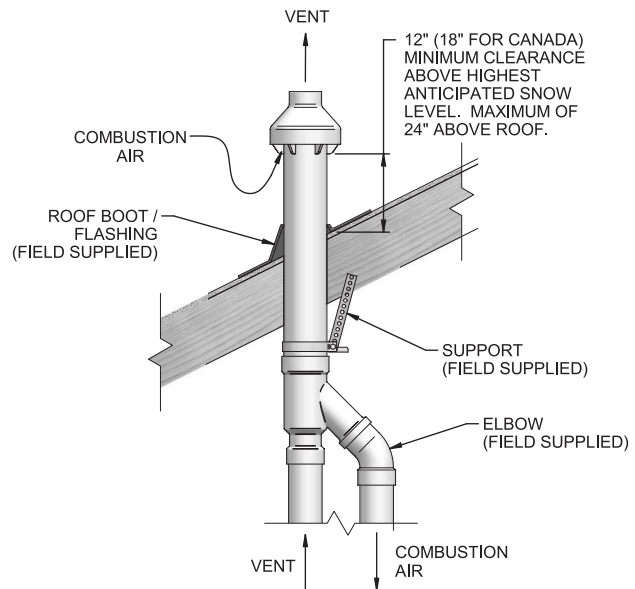
#### NOTICE

Instead of cementing the smaller pipe to the rain cap, a field supplied stainless steel screw may be used to secure the two (2) components together when field disassembly is desired for cleaning.

#### WARNING

When using the alternate screw assembly method, drill a clearance hole in the rain cap and a pilot hole in the vent pipe for the screw size being used. Failure to drill adequate holes may cause cracking of PVC components, allowing combustion products to be recirculated. Failure to follow this warning could result in personal injury or death.

Figure 5-4 Concentric Vent Vertical Installation



#### WARNING

Do not operate the appliance with the rain cap removed or recirculation of combustion products may occur. Water may also collect inside the larger combustion air pipe and flow to the burner enclosure. Failure to follow this warning could result in product damage or improper operation, personal injury, or death.

#### NOTICE

Do not allow insulation or other materials to accumulate inside the pipe assembly when installing through the hole.

#### NOTICE

Ensure termination height is above the roof surface or anticipated snow level (12 inches in U.S.A. or 18 inches in Canada) as shown in FIG. 5-4.

#### NOTICE

If assembly is too short to meet height requirement, the two (2) pipes supplied in the kit may be replaced by using the same diameter, field supplied SDR-26 PVC (D2241) pipe for 100140480/100140485 and standard schedule 40 PVC for 4 inch. Do not extend dimension "D" more than 60 inches. Refer to the Sidewall Direct Venting - Optional Concentric Vent Section.

#### CAUTION

DO NOT use field supplied couplings to extend pipes. Airflow restriction will occur.

## 5 Vertical direct venting

### Vertical termination – Concentric vent kit

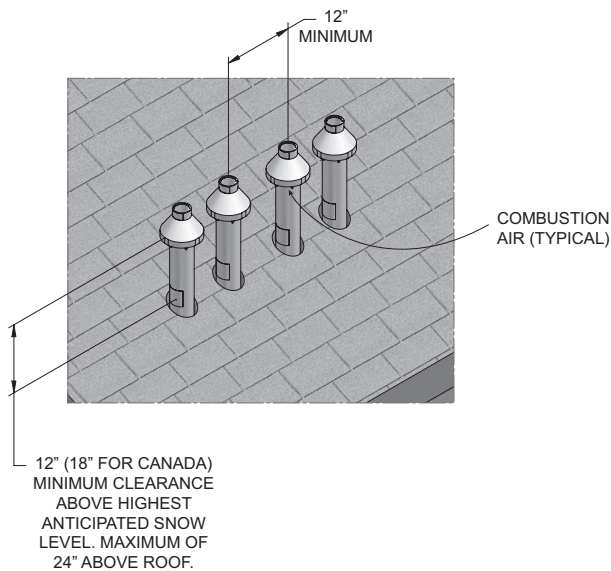
*Figure 5-5 Do Not Install U-Bend to Rain Cap*



#### Multi-venting vertical terminations

When two (2) or more direct vent appliances are vented near each other, each appliance must be individually vented (see FIG. 5-6). NEVER common vent or breach vent this appliance. When two (2) or more direct vent appliances are vented near each other, two (2) vent terminations may be installed as shown in FIG. 5-6. It is important that vent terminations be made as shown to avoid recirculation of flue gases.

*Figure 5-6 Multiple Concentric Vent Terminations*





## 5 Vertical direct venting *(continued)*

### Vertical termination - Alternate concentric venting

This appliance may be installed with a concentric vent arrangement where the vent pipe is routed through an existing unused venting system or by using the existing unused venting system as a chase for vent and combustion air routing.

#### Concentric venting arrangement

The venting is to be vertical through the roof. The annular space between the O.D. of the vent pipe and the I.D. of the existing unused venting system is utilized for the combustion air source.

The minimum size of the existing vent system required to achieve enough annular space for combustion air can be found in Table 5A below.

The upper and lower termination as well as any other unsealed joints in the existing vent system **must be** sealed to ensure that all combustion air is drawn from under the vent cap as shown in FIG.'s 5-7A and 5-7B.

Approved venting materials must be used as specified in the General Venting Section of this manual.

Follow all vent / air termination and clearance requirements per this section to the appropriate example. Installation must comply with local requirements and with the National Fuel Gas Code.

The maximum allowable equivalent vent and air intake lengths for this venting arrangement are to be determined from the General Venting Section.

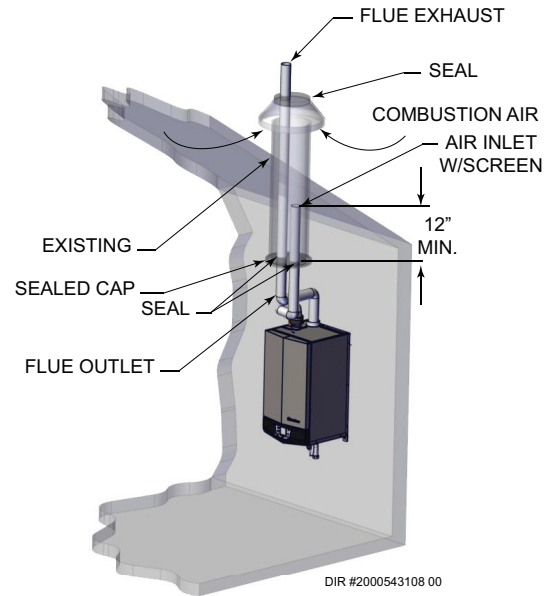
If an existing unused venting system is converted for use with this method of concentric venting, the installer must ensure that the existing venting system is clean and free from particulate contamination that will harm this appliance and cause increased nuisance calls or maintenance. See the Corrosive Contaminants and Sources table in the Determine Boiler Location Section for a list of corrosive contaminants and sources.

Two example scenarios of a concentric venting arrangement are shown for illustrative purposes in FIG.'s 5-7A and 5-7B.

**Table 5A** Alternate Vertical Concentric Vent / Chase Sizes

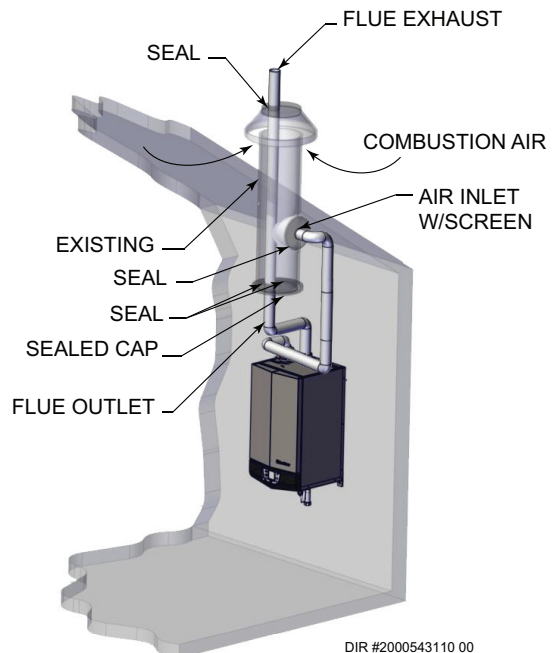
Vent / Air Inlet Size	Minimum Existing Vent / Chase Size
2 inch	4 inch
3 inch	5 inch
4 inch	7 inch

**Figure 5-7A** Concentric Vent Example 1



\*For concept illustration only. Individual installations may vary due to job site specific equipment.

**Figure 5-7B** Concentric Vent Example 2



\*For concept illustration only. Individual installations may vary due to job site specific equipment.

## 6 Hydronic piping

### System water piping methods

The Knight Wall Hung Fire Tube is designed to function in a closed loop pressurized system not less than 12 psi. (Non-metallic system piping must have an oxygen barrier to be considered a closed loop). A temperature and pressure gauge is included to monitor system pressure and outlet temperature and should be located on the boiler outlet.

It is important to note that the boiler has a minimal amount of pressure drop and must be figured in when sizing the circulators. Each boiler installation must have an air elimination device, which will remove air from the system. Install the boiler so the gas ignition system components are protected from water (dripping, spraying, etc.) during appliance operation for basic service of circulator replacement, valves, and others.

Observe a minimum of 1/4 inch (6 mm) clearance around all un-insulated hot water pipes when openings around the pipes are not protected by non-combustible materials.

### Low water cutoff device

On a boiler installed above radiation level, some states and local codes require a low water cutoff device at the time of installation.

### Chilled water system

If the boiler supplies hot water to heating coils in air handler units, flow control valves or other devices must be installed to prevent gravity circulation of heater water in the coils during the cooling cycle. A chilled water medium must be piped in parallel with the heater.

### Freeze protection fluids

Freeze protection fluids for new or existing systems must use glycol that is specially formulated for this purpose. This includes inhibitors, which prevent the glycol from attacking the metallic system components. Make certain to check that the system fluid is correct for the glycol concentration and inhibitor level. The system should be tested at least once a year and as recommended by the producer of the glycol solution. Allowance should be made for the expansion of the glycol solution in the system piping.

**WARNING** Use only inhibited propylene glycol solutions, which are specifically formulated for hydronic systems. Ethylene glycol is toxic and can attack gaskets and seals used in hydronic systems.

### General piping information

**IMPORTANT** All boiler piping must contain an oxygen barrier. This will help prevent any excess oxygen from entering the system.

Basic steps are listed in this section along with illustrations on the following pages (FIG.'s 6-4 thru 6-12), which will guide you through the installation of the Knight Wall Hung Fire Tube boiler with either zone valves or circulator pumps.

The 55 - 285 models are equipped with optional water connections from the top or bottom. These models ship from the factory configured for bottom connections. A relief valve and fittings are provided in the install kit shipped with the boiler and are to be field installed on the top outlet connection (see FIG. 6-1). If bottom connections are not used, reinstall the factory provided cap on the outlet piping connection and a field provided drain on the inlet piping connection as shown in FIG. 6-2.

**Note:** The threaded NPT connections **MUST** be used for initial connection. **DO NOT** attempt to change the boiler internal piping.

**WARNING** Use two (2) wrenches when tightening water piping at the boiler. Using one of the wrenches to prevent the boiler interior piping from turning. Failure to support the boiler piping connections to prevent them from turning could cause damage to boiler components.

1. Connect the system return marked "Inlet".
2. Connect the system supply marked "Outlet".
3. Install purge and balance valve or shutoff valve and drain on system return to purge air out of each zone.
4. Install a backflow preventer on the cold feed make-up water line.
5. Install a pressure reducing valve on the cold feed make-up water line, (15 psi nominal). Check temperature and pressure gauge (shipped separately), which should read a minimum pressure of 12 psi.
6. Install a circulator as shown on the piping diagrams in this section. Make sure the circulator is properly sized for the system and friction loss.
7. Install an expansion tank on the system supply. Consult the tank manufacturer's instruction for specific information relating to tank installation. Size the expansion tank for the required system volume and capacity.
8. Install an air elimination device on the system supply.
9. Install a drain valve at the lowest point of the system.  
**Note:** The boiler cannot be drained completely of water without purging the unit with an air pressure of 15 psi.
10. This appliance is supplied with a relief valve sized in accordance with ASME Boiler and Pressure Vessel Code, Section IV ("Heating Boilers"). Pipe the discharge of the safety relief valve to prevent injury in the event of pressure relief. Pipe the discharge to a drain. Provide piping that is the same size as the safety relief valve outlet. Never block the outlet of the safety relief valve.

### NOTICE

The relief valve, tee, and any necessary fittings are shipped in the install kit with the boiler and are to be field installed (FIG. 6-1). On the 399 model the relief valve is installed at the factory on the left side of the boiler.

11. Install a field supplied strainer to prevent damage to the heat exchanger caused by debris entering from the system piping. When installing in a pre-existing system, a strainer/filter capable of removing debris left in the system is recommended.

## 6 Hydronic piping *(continued)*

### SMART SYSTEM / Multi-temperature loop control option

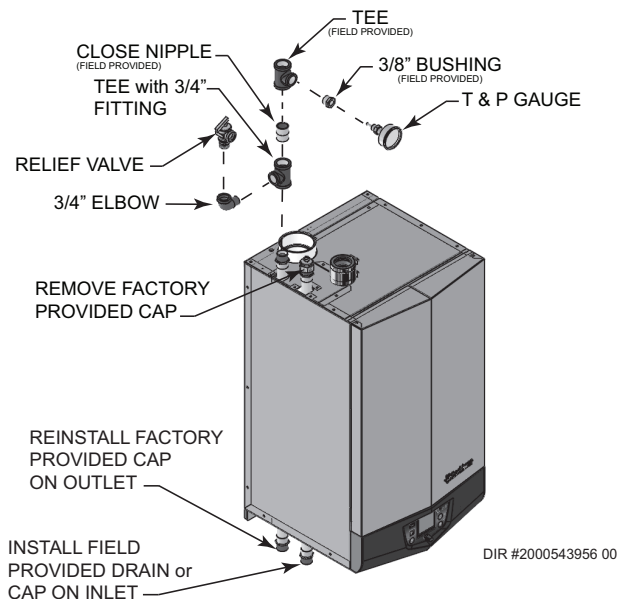
The Knight Wall Hung Fire Tube boiler is capable of producing up to three (3) set point temperatures to meet different space heating demands. When using more than one temperature demand it is necessary to protect the lower temperature loop from overheating. To help aid with this protection, Lochinvar offers the Multi-Temperature Loop Control Board Kit.

### Relief valve, automatic air vent, and temperature and pressure gauge installation (Models 55 - 285)

Basic steps are listed below to guide you through the installation of the relief valve, automatic air vent, and the temperature and pressure (T & P) gauge provided with the unit (reference FIG.'s 6-1 and 6-2).

1. Install the tee with the 3/4" fitting positioned horizontally towards the left side of the boiler.
2. Install the 3/4" elbow into the tee installed in Step 1, with the fitting positioned vertically and on the top.
3. Install the relief valve into the 3/4" fitting of the elbow installed in Step 2.
4. Using field provided fittings, install a tee with a 3/8" fitting positioned horizontally towards the front of the boiler. For installations with top water connections, locate the tee directly above the relief valve tee installed in Step 1. If top connections are not used, connect the tee directly to the bottom outlet piping.
5. Install the temperature and pressure (T & P) gauge provided with the unit into the front of the fitting of the tee installed in Step 4.
6. If top connections are not used, install a 1/4" bushing and the automatic air vent into the relief valve tee installed in Step 1.

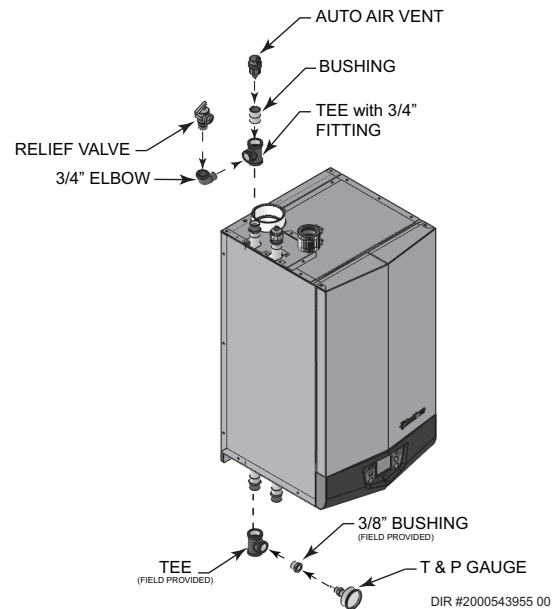
**Figure 6-1 Top Connections Installation**



### CAUTION

It is the responsibility of the installer to protect loops with lower temperature requirements from higher temperatures that may be required by other loops.

**Figure 6-2 Bottom Connections Installation**



### NOTICE

Illustrations are meant to show system piping concept only. The installer is responsible for all equipment and detailing required by local codes.

### Near boiler piping components

#### 1. Boiler system piping:

Boiler system piping **MUST** be sized per the pipe requirements listed in Table 6A. Reducing the pipe size can restrict the flow rate through the boiler, causing inadvertent high limit shutdowns and poor system performance.

#### 2. Boiler circulating pump:

A Grundfos UPM series variable speed pump will be provided by the factory as the boiler circulation pump. When connected to the low voltage board, the Knight Wall Hung Fire Tube boiler will control the pump via a 0-10 VDC signal. In the event that the pump does not receive a signal from the control (cable break), it will run at maximum speed. Factory supplied pump wiring - brown (+) blue (-).

#### 3. Domestic hot water circulating pump:

Field supplied. The pump **MUST** be sized to meet the specified minimum flow requirements listed in Table 6A. Consult the indirect water heater operating guide to determine flow characteristics for the selected product used.

#### 4. Boiler isolation valves:

Field supplied. Full port ball valves are required. Failure to use full port ball valves could result in a restricted flow rate through the boiler.

## 6 Hydronic piping

### 5. Check valves:

Field supplied. Check valves are recommended for installation. Failure to install check valves could result in a reverse flow condition during pump(s) off cycle.

### 6. Domestic indirect hot water isolation valves:

Field supplied. Full port ball valves are required. Failure to use full port ball valves could result in a restricted flow rate through the boiler.

### 7. Anti-scald mixing valve:

Field supplied. An anti-scald mixing valve is recommended when storing domestic hot water above 115°F.

### 8. Unions:

Field supplied. Recommended for unit serviceability.

### 9. Temperature and pressure gauge:

Factory supplied. The temperature and pressure gauge is shipped loose. It is the responsibility of the contractor to install the temperature and pressure gauge on the boiler water outlet.

### 10. Pressure relief valve:

Factory supplied. The pressure relief valve is sized to ASME specifications.

### 11. Boiler purge valve:

Factory supplied. The boiler purge valve is used to remove entrapped air from the heat exchanger during start-up.

### 12. System temperature sensor:

Lochinvar supplies a system temperature sensor. The sensor is to be installed in the heating loop downstream from the boiler hot water piping and heating loop junction. Typically the sensor will be located far enough downstream to sense system diluted water temperature.

### 13. Indirect water heaters:

The boiler may be piped to an indirect water heater to heat domestic hot water with the space heat transfer medium. There are two (2) piping options when utilizing an indirect water heater: DHW Priority and Zone. When piped as a zone, the space heating piping will branch off to flow the space heat transfer medium through a single wall heat exchanger coil inside the indirect water heater. When piped for DHW priority the indirect water heater is connected to the system supply piping. A pump controlled by the boiler will regulate the flow of water through the indirect water heater to control the temperature.

The Knight Wall Hung Fire Tube boiler is pre-configured to control the operation of the DHW pump with Domestic Hot Water Prioritization programming. The DHW programming is designed to control and balance the space heating demand by switching between DHW and space heating.

Lochinvar offers the Squire which is a series of indirect water heaters. The Squire features a stainless steel vessel with a single wall stainless steel heat exchanger.

#### CAUTION

It is up to the installer to ensure the minimum system flow is not less than the minimum boiler flow at any time.

#### WARNING

The National Standard Plumbing Code, the National Plumbing Code of Canada and the Uniform Plumbing Code limit the pressure of the heat transfer fluid to less than the minimum working pressure of the potable water system up to 30 psi maximum. Also, the heat transfer fluid must be water or other non-toxic fluid having a toxicity of Class 1, as listed in Clinical Toxicology of Commercial Products, 5<sup>th</sup> Edition.

### 14. Water Meter:

Field supplied. A water meter to monitor makeup water is recommended. Makeup water volume should not exceed 5% of total system per year.

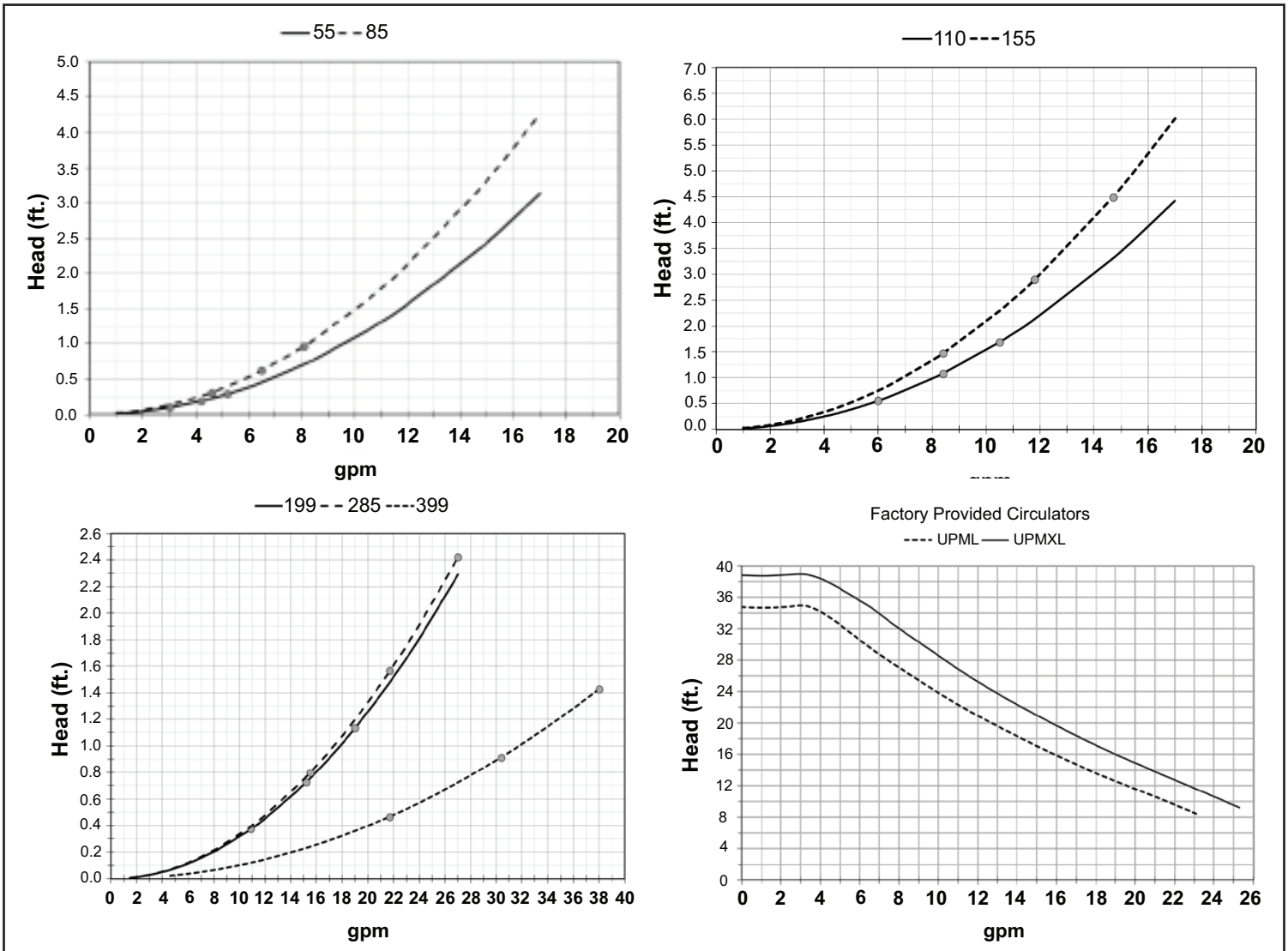
### 15. Y-Strainer:

Field supplied. Install a Y-strainer or equivalent multi-purpose strainer just before the boiler pump at the inlet of the heat exchanger. This item is used to remove system debris from older hydronic systems and to protect newer systems.

### Circulator sizing

The Knight Wall Hung Fire Tube boiler heat exchanger does have a pressure drop, which must be considered in your system design. Refer to the graph in FIG. 6-3 for pressure drop through the Knight Wall Hung Fire Tube boiler heat exchanger.

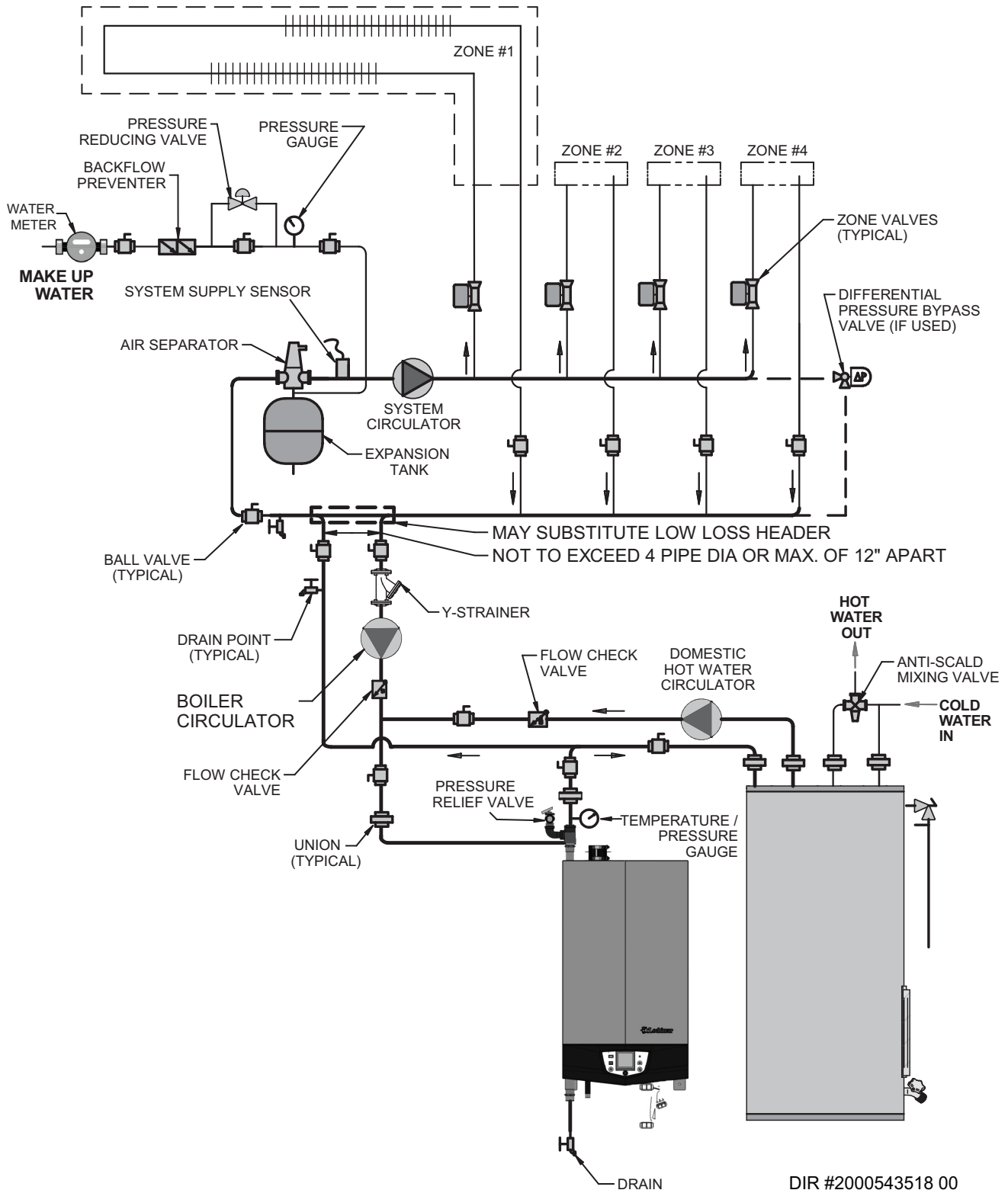
## 6 Hydronic piping *(continued)*

**Figure 6-3 Pressure Drop vs. Flow**

**Table 6A - Boiler Flow Requirements**

Temperature Rise and Head Loss Based on Boiler Output in Btu/hr												
Model	Minimum Pipe Ø	Factory Provided Circulator	20°F		25°F		35°F		Maximum Flow	Minimum Flow		
			gpm	ft/hd	gpm	ft/hd	gpm	ft/hd		High Fire	Low Fire	
55	1"	UPML	5.2 gpm	0.3 ft/hd	4.2 gpm	0.2 ft/hd	3.0 gpm	0.1 ft/hd	17.0 gpm	3.1 ft/hd	2.1 gpm	1.0 gpm
85	1"	UPML	8.1 gpm	1.0 ft/hd	6.5 gpm	0.6 ft/hd	4.6 gpm	0.3 ft/hd	17.0 gpm	4.3 ft/hd	3.2 gpm	1.0 gpm
110	1"	UPML	10.5 gpm	1.7 ft/hd	8.4 gpm	1.1 ft/hd	6.0 gpm	0.5 ft/hd	17.0 gpm	4.4 ft/hd	4.2 gpm	1.0 gpm
155	1"	UPML	14.7 gpm	4.5 ft/hd	11.8 gpm	2.9 ft/hd	8.4 gpm	1.5 ft/hd	17.0 gpm	6.0 ft/hd	5.9 gpm	1.0 gpm
199	1-1/4"	UPMXL	19.0 gpm	1.1 ft/hd	15.2 gpm	0.7 ft/hd	10.9 gpm	0.4 ft/hd	27.0 gpm	2.3 ft/hd	7.6 gpm	1.5 gpm
285	1-1/4"	UPMXL	27.0 gpm	2.4 ft/hd	21.7 gpm	1.6 ft/hd	15.5 gpm	0.8 ft/hd	27.0 gpm	2.4 ft/hd	10.8 gpm	1.5 gpm
399	1-1/2"	UPMXL	38.0 gpm	1.4 ft/hd	30.4 gpm	0.9 ft/hd	21.7 gpm	0.5 ft/hd	38.0 gpm	1.4 ft/hd	15.2 gpm	2.3 gpm

# 6 Hydronic piping

Figure 6-4 Single Boiler - Single Temperature with Zone Valves - DHW Priority

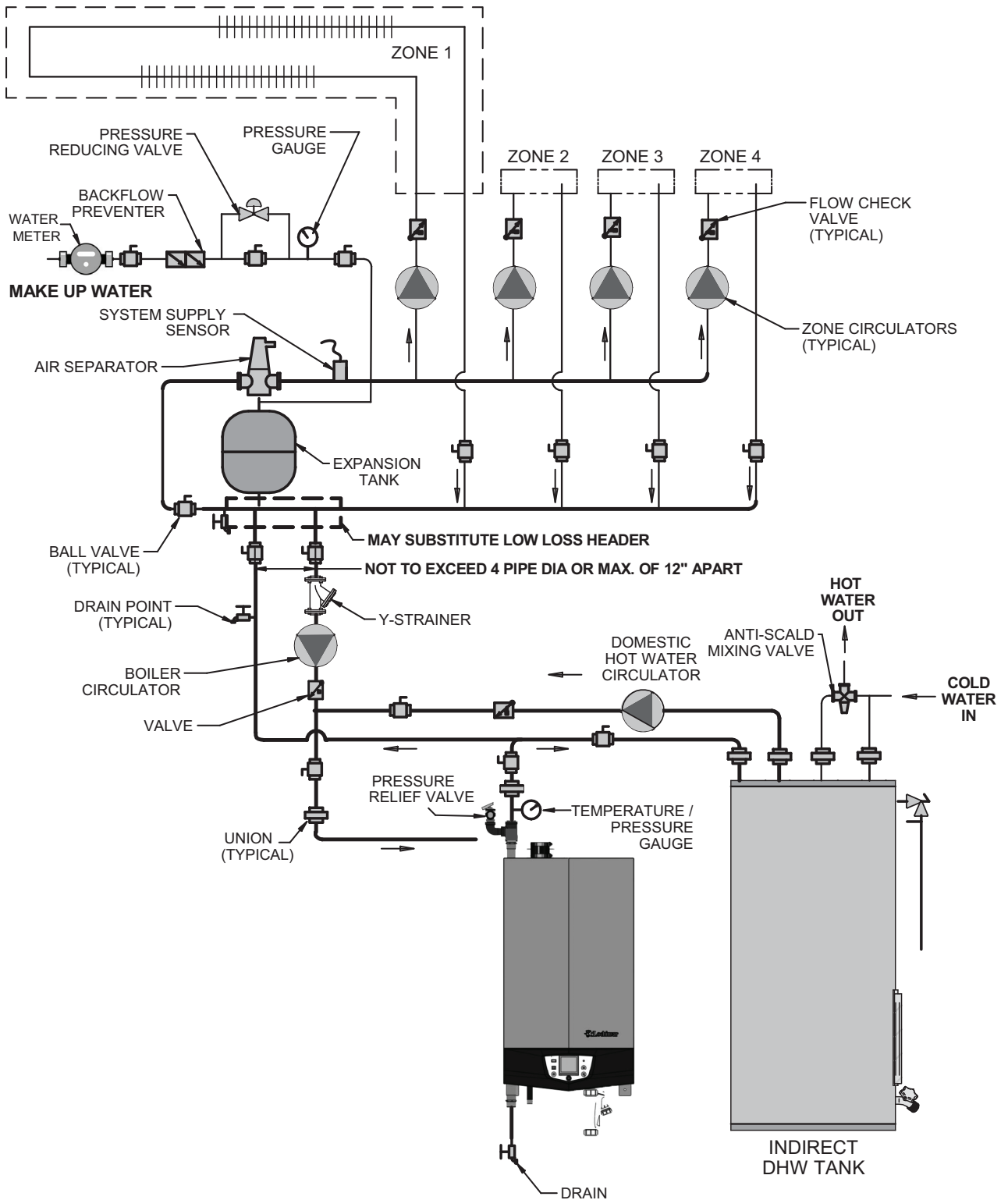


**NOTICE**

Please note that these illustrations are meant to show system piping concept only, the installer is responsible for all equipment and detailing required by local codes.

## 6 Hydronic piping *(continued)*

**Figure 6-5** Single Boiler - Single Temperature Zoned with Circulators - DHW Priority



DIR #2000543519 00

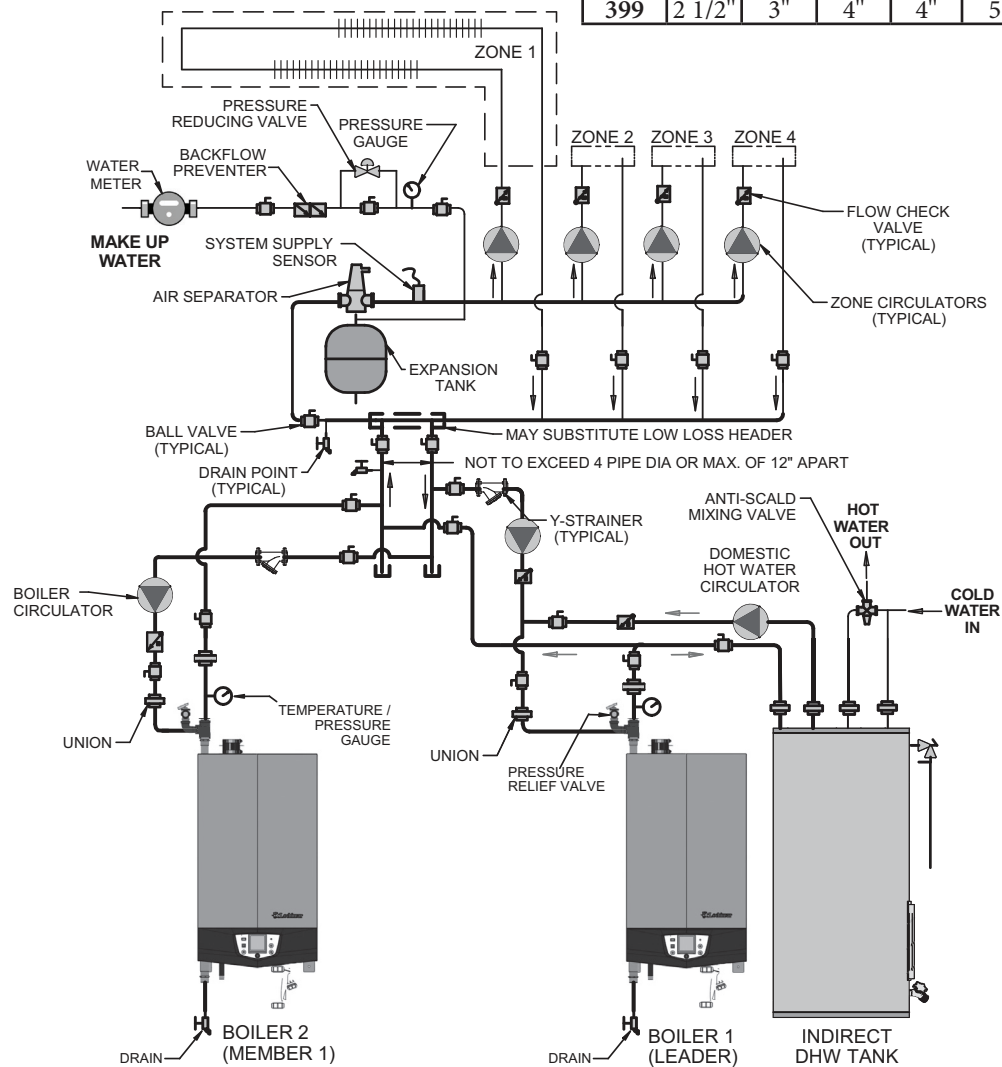
**NOTICE**

Please note that these illustrations are meant to show system piping concept only, the installer is responsible for all equipment and detailing required by local codes.

## 6 Hydronic piping

Figure 6-6 Multiple Boilers - Single Temperature Zoned with Circulators - DHW Priority

Model	RECOMMENDED WATER PIPE DIAMETER - CASCADE						
	2 Units	3 Units	4 Units	5 Units	6 Units	7 Units	8 Units
55	1 1/4"	1 1/2"	1 1/2"	2"	2"	2"	2"
85	1 1/4"	1 1/2"	2"	2"	2"	2 1/2"	2 1/2"
110	1 1/2"	2"	2"	2 1/2"	2 1/2"	2 1/2"	3"
155	2"	2"	2 1/2"	2 1/2"	3"	3"	4"
199	2"	2"	2 1/2"	3"	4"	4"	4"
285	2 1/2"	2 1/2"	3"	4"	4"	4"	5"
399	2 1/2"	3"	4"	4"	5"	5"	5"



DIR #2000543508 00

**NOTICE**

It is the responsibility of the installer to maintain flow rates based on system piping requirements.

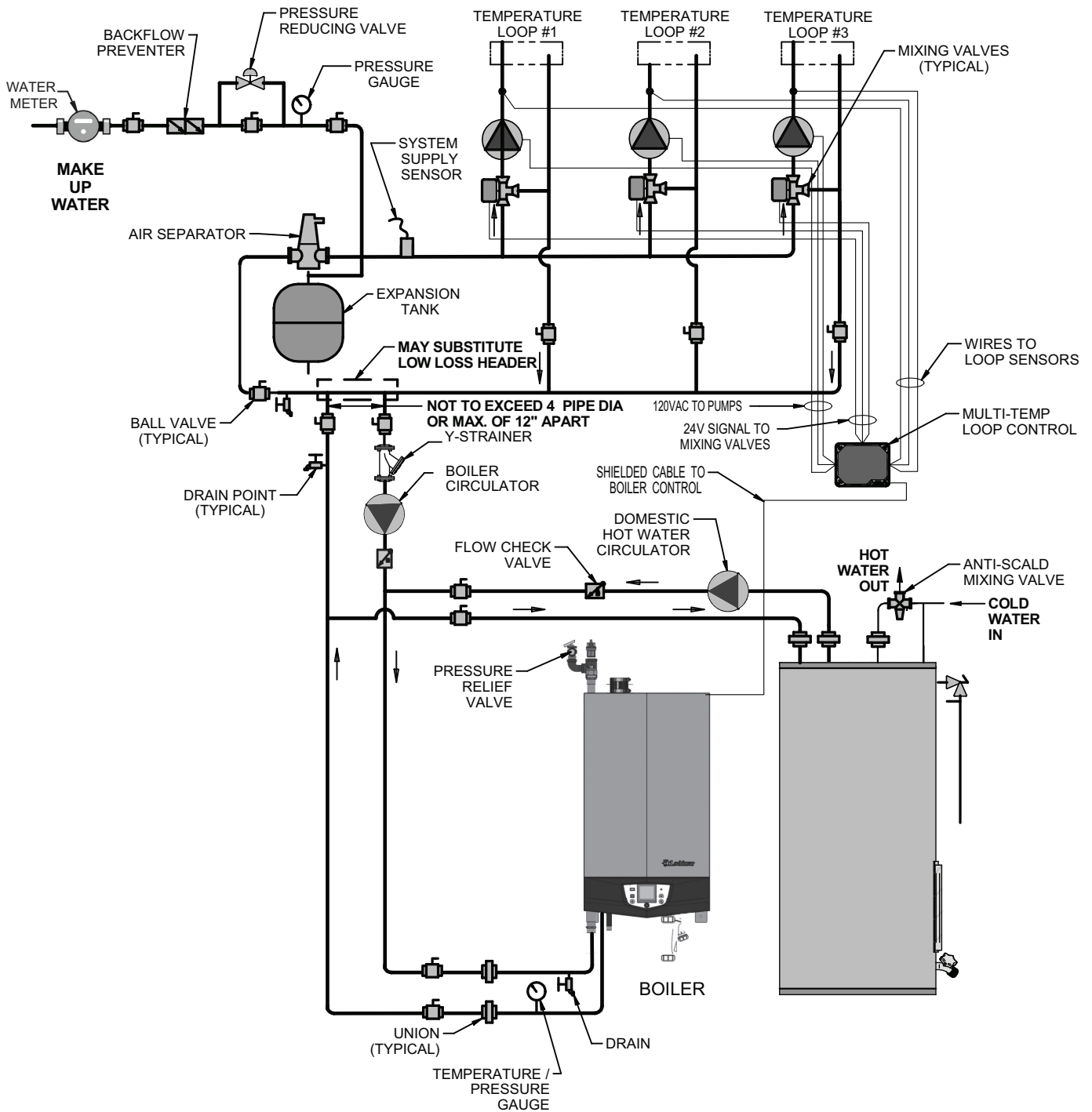
**NOTICE**

Please note that these illustrations are meant to show system piping concept only, the installer is responsible for all equipment and detailing required by local codes.



## 6 Hydronic piping *(continued)*

Figure 6-7 Single Boiler - Multiple Temperatures - DHW Priority



DIR #2000543515 00

**CAUTION**

Mixing valves are required for the protection of low temperature loops.

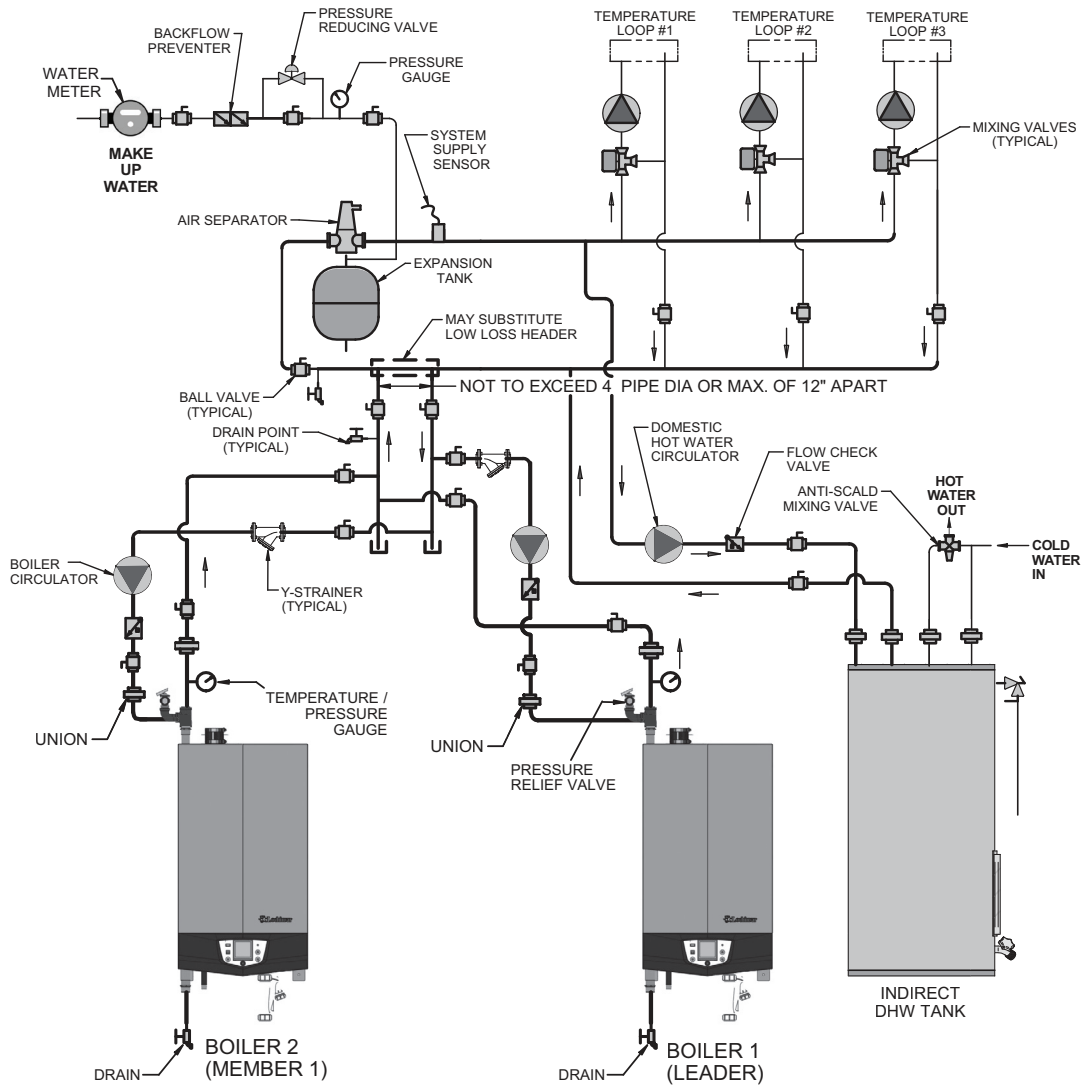
**NOTICE**

Please note that these illustrations are meant to show system piping concept only, the installer is responsible for all equipment and detailing required by local codes.

# 6 Hydronic piping

Figure 6-8 Multiple Boilers - Multiple Temperatures - DHW Piped as a Zone

Model	RECOMMENDED WATER PIPE DIAMETER - CASCADE						
	2 Units	3 Units	4 Units	5 Units	6 Units	7 Units	8 Units
55	1 1/4"	1 1/2"	1 1/2"	2"	2"	2"	2"
85	1 1/4"	1 1/2"	2"	2"	2"	2 1/2"	2 1/2"
110	1 1/2"	2"	2"	2 1/2"	2 1/2"	2 1/2"	3"
155	2"	2"	2 1/2"	2 1/2"	3"	3"	4"
199	2"	2"	2 1/2"	3"	4"	4"	4"
285	2 1/2"	2 1/2"	3"	4"	4"	4"	5"
399	2 1/2"	3"	4"	4"	5"	5"	5"



DIR #2000543506 00

**NOTICE**

Please note that the installer is responsible for ensuring DHW prioritization when piped as a zone.

**CAUTION**

Mixing valves are required for the protection of low temperature loops.

**NOTICE**

It is the responsibility of the installer to maintain flow rates based on system piping requirements.

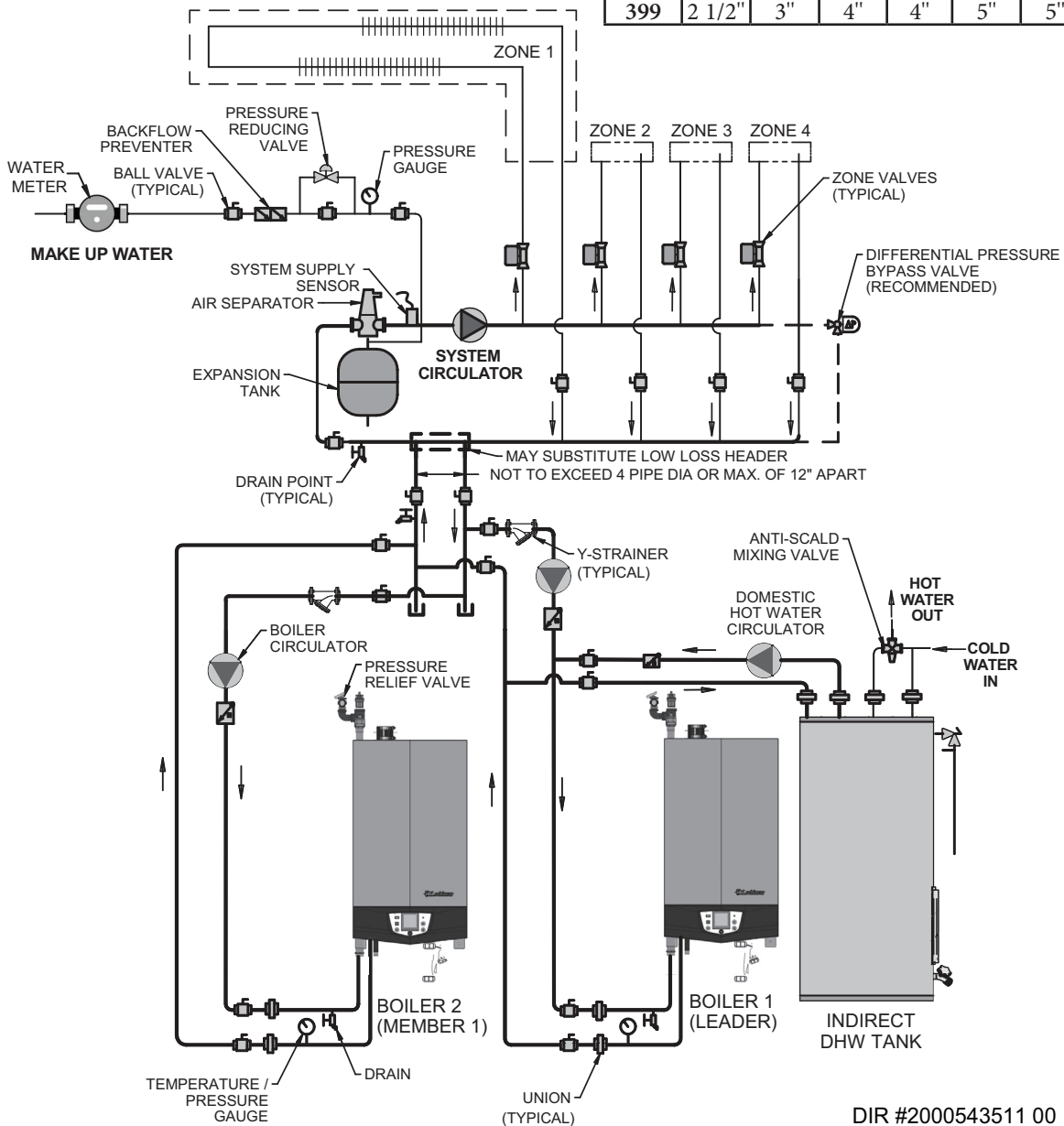
**NOTICE**

Please note that these illustrations are meant to show system piping concept only, the installer is responsible for all equipment and detailing required by local codes.

## 6 Hydronic piping *(continued)*

**Figure 6-9 Multiple Boilers - Single Temperature Zoned with Valves**

Model	RECOMMENDED WATER PIPE DIAMETER - CASCADE						
	2 Units	3 Units	4 Units	5 Units	6 Units	7 Units	8 Units
55	1 1/4"	1 1/2"	1 1/2"	2"	2"	2"	2"
85	1 1/4"	1 1/2"	2"	2"	2"	2 1/2"	2 1/2"
110	1 1/2"	2"	2"	2 1/2"	2 1/2"	2 1/2"	3"
155	2"	2"	2 1/2"	2 1/2"	3"	3"	4"
199	2"	2"	2 1/2"	3"	4"	4"	4"
285	2 1/2"	2 1/2"	3"	4"	4"	4"	5"
399	2 1/2"	3"	4"	4"	5"	5"	5"



DIR #2000543511 00

**NOTICE**

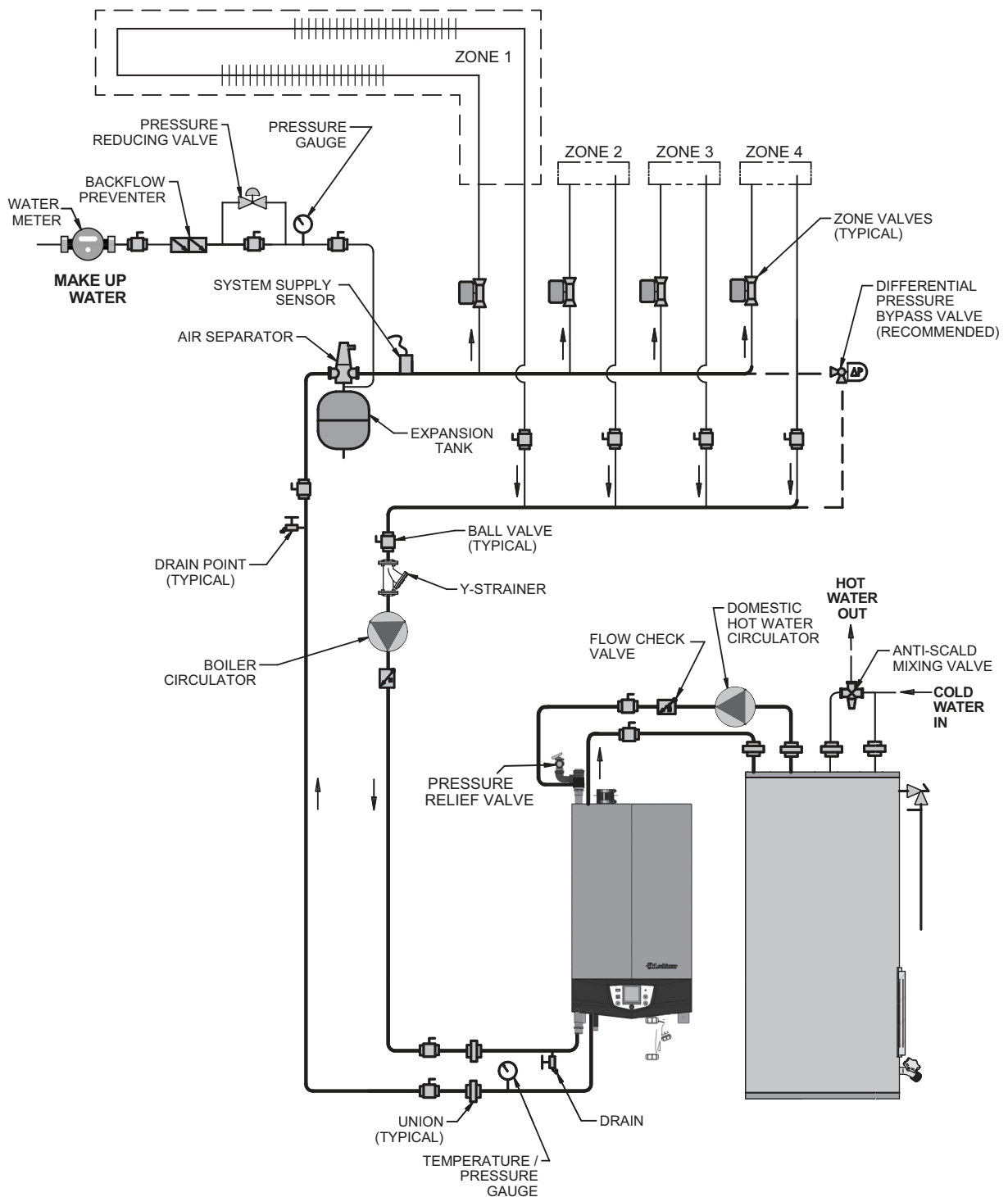
It is the responsibility of the installer to maintain flow rates based on system piping requirements.

**NOTICE**

Please note that these illustrations are meant to show system piping concept only, the installer is responsible for all equipment and detailing required by local codes.

## 6 Hydronic piping

Figure 6-10 Single Boiler - Full Flow - Single Temperature - Zoned with Zone Valves - DHW Priority



DIR# 2000543514 00

### NOTICE

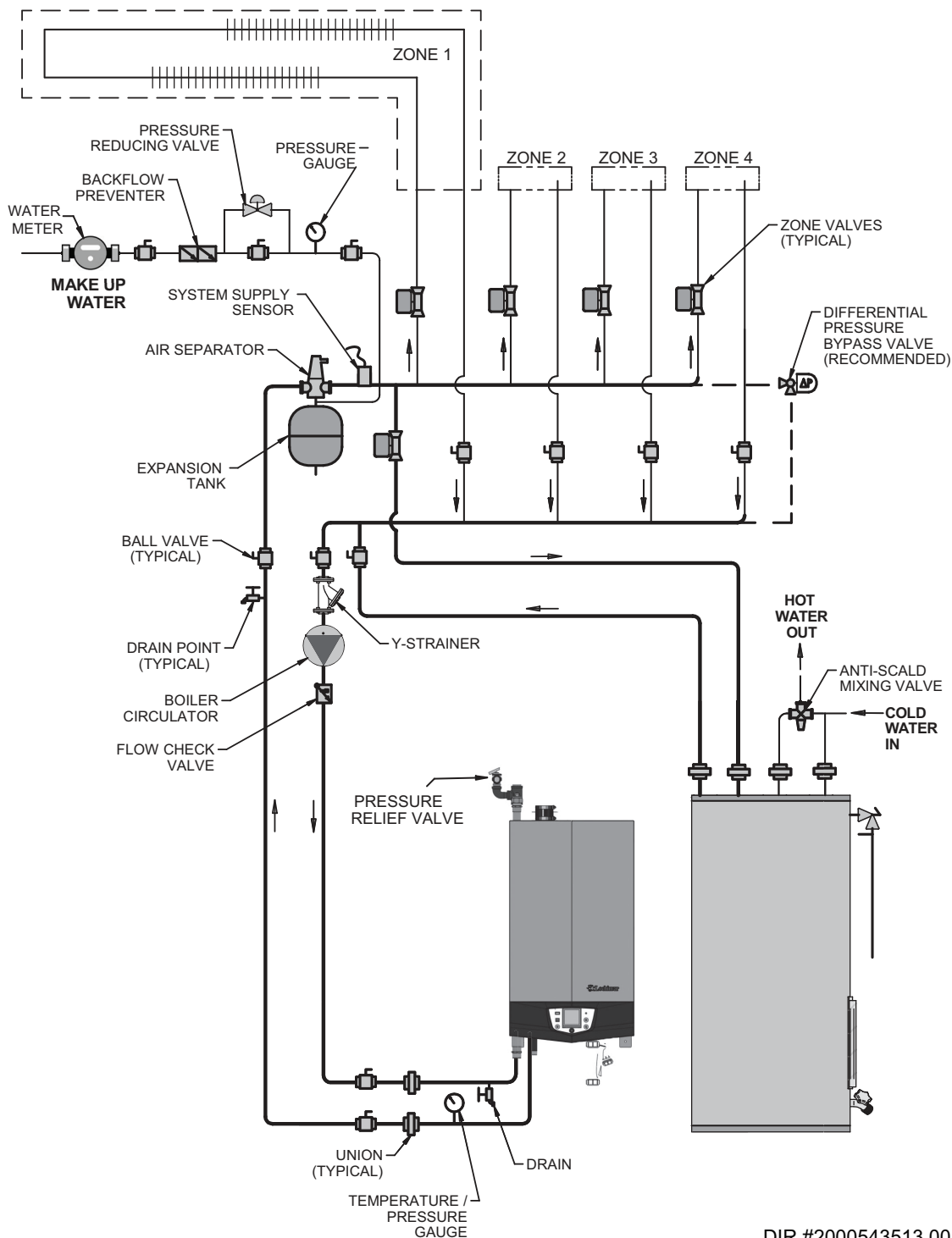
Please note that these illustrations are meant to show system piping concept only, the installer is responsible for all equipment and detailing required by local codes.

### NOTICE

It is the responsibility of the installer to ensure that the minimum flow requirements of the boiler are met at all times during boiler operation. If the minimum flow requirements cannot be met at any time the boiler must be hydraulically separated from the system.

## 6 Hydronic piping *(continued)*

Figure 6-11 Single Boiler - Full Flow - Single Temperature Zoned with Valves - DHW Piped as a Zone



DIR #2000543513 00

**NOTICE**

Please note that these illustrations are meant to show system piping concept only, the installer is responsible for all equipment and detailing required by local codes.

**NOTICE**

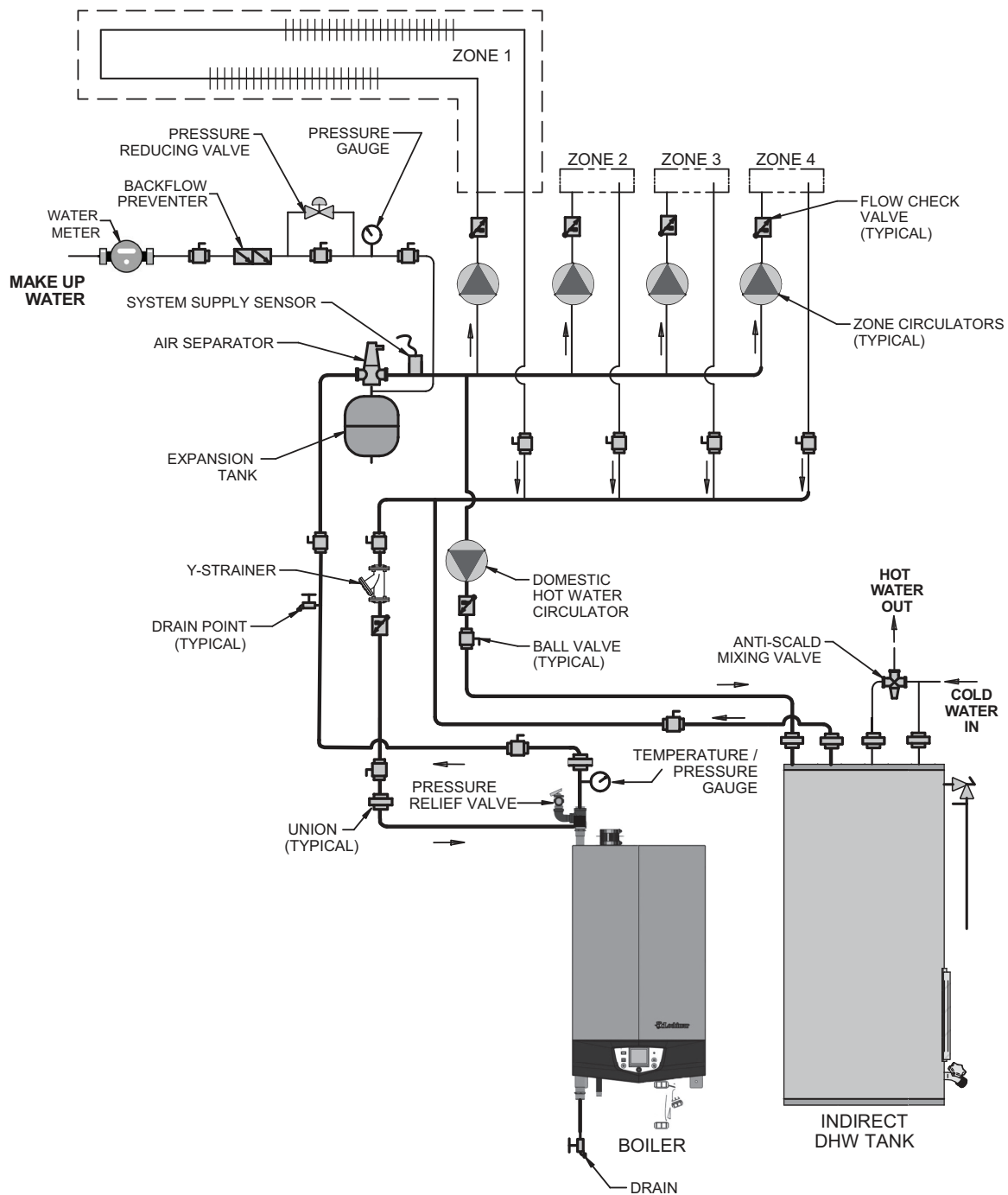
It is the responsibility of the installer to ensure that the minimum flow requirements of the boiler are met at all times during boiler operation. If the minimum flow requirements cannot be met at any time the boiler must be hydraulically separated from the system.

**NOTICE**

Please note that the installer is responsible for ensuring DHW prioritization when piped as a zone.

## 6 Hydronic piping

Figure 6-12 Single Boiler - Full Flow - Single Temperature Zoned with Circulators - DHW Piped as a Zone



DIR #2000543512 00

### NOTICE

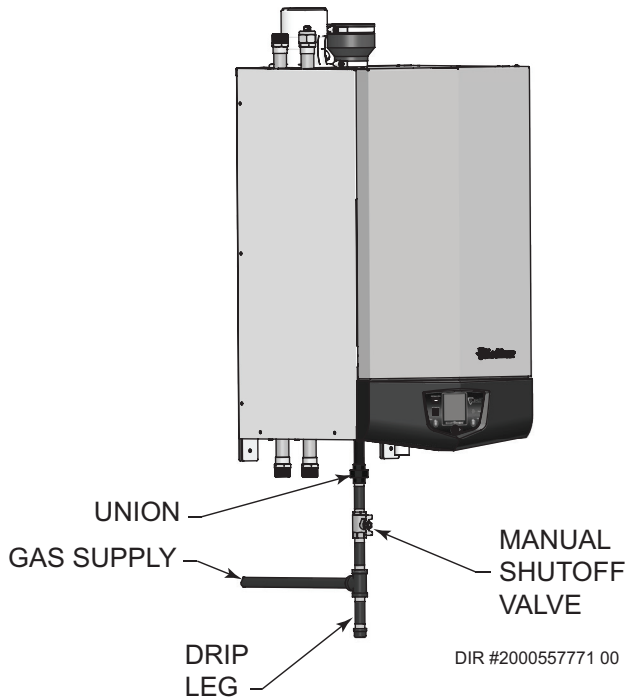
Please note that these illustrations are meant to show system piping concept only, the installer is responsible for all equipment and detailing required by local codes.

# 7 Gas connections

## Connecting gas supply piping

1. Reference FIG.'s 7-1 and 7-2 to pipe gas to the boiler.
  - a. Install a field supplied sediment trap / drip leg upstream of the boiler gas controls.
  - b. Install a ground joint union for servicing, when required.
  - c. Install a manual shutoff valve in the gas supply piping outside the boiler jacket when required by local codes or utility requirements.
  - d. In Canada – When using manual main shutoff valves, it must be identified by the installer.

**Figure 7-1 Union Connection and Gas Supply Piping**



2. Support piping with hangers, not by the boiler or its accessories.

**WARNING** The gas valve and blower will not support the weight of the piping. Do not attempt to support the weight of the piping with the boiler or its accessories. Failure to comply could result in severe personal injury, death, or substantial property damage.

3. Purge all air from the gas supply piping.
4. Before placing the boiler in operation, check the boiler and its gas connection for leaks.
  - a. The appliance must be disconnected from the gas supply piping system during any pressure testing of that system at a test pressure in excess of 1/2 PSIG (3.5 kPa).
  - b. The appliance must be isolated from the gas supply piping system by closing a manual shutoff valve during any pressure testing of the gas supply piping system at test pressures equal to or less than 1/2 PSIG (3.5 kPa).
  - c. The appliance and its gas connection must be leak tested before placing it in operation.

**WARNING** Do not check for gas leaks with an open flame – use the bubble test. Failure to use the bubble test or check for gas leaks can cause severe personal injury, death, or substantial property damage.

5. Use pipe sealing compound compatible with propane gases. Apply sparingly only to male threads of the pipe joints so that pipe dope does not block gas flow.

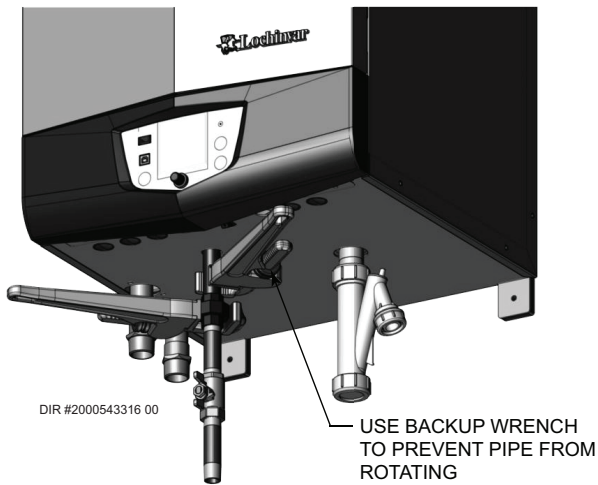
**WARNING** Failure to apply pipe sealing compound as detailed in this manual can result in severe personal injury, death, or substantial property damage.

**WARNING** Knight Wall Hung Fire Tube boilers are typically shipped ready to fire on natural gas. Check boiler rating plate to determine which fuel the boiler is set for. If set to natural gas, it may be converted to LP by installing an LP venturi and any additional components provided in the LP conversion kit (see Section 2 - Gas Conversions). In order to operate on LP gas, these components **MUST BE** installed. Failure to comply could result in severe personal injury, death, or substantial property damage.

## 7 Gas connections

**WARNING** Use two wrenches when tightening gas piping at boiler (FIG. 7-2) Using one wrench to prevent the boiler gas line connection from turning. Failure to support the boiler gas connection pipe to prevent it from turning could damage gas line components.

Figure 7-2 Inlet Pipe with Backup Wrench



**NOTICE** Maximum inlet gas pressure must not exceed the value specified. Minimum value listed is for the purposes of input adjustment.

### Natural gas:

#### Pipe sizing for natural gas

1. Refer to Table 7A for pipe length and diameter. Based on rated boiler input (divide by 1,000 to obtain cubic feet per hour).
  - a. Table 7A is only for natural gas with specific gravity 0.60 inches, with a pressure drop through the gas piping of 0.3 inches w.c.
  - b. For additional gas pipe sizing information, refer to ANSI Z223.1 (or B149.1 for Canadian installations).

#### Natural gas supply pressure requirements

1. Pressure required at the gas valve inlet pressure port:
  - Maximum 14 inches w.c. with no flow (lockup) or with boiler on.
  - Minimum 4 inches w.c. with gas flowing (verify during boiler start-up).
2. Install 100% lockup gas pressure regulator in supply line if inlet pressure can exceed 14 inches w.c. at any time. Adjust lockup regulator for 14 inches w.c. maximum.

### Propane Gas:

**WARNING** Knight Wall Hung Fire Tube boilers are typically shipped ready to fire on natural gas. Check boiler rating plate to determine which fuel the boiler is set for. If set to natural gas, it may be converted to LP by installing an LP venturi and any additional components provided in the LP conversion kit (see Section 2 - Gas Conversions). In order to operate on LP gas, these components **MUST BE** installed. Failure to comply could result in severe personal injury, death, or substantial property damage.

#### Pipe sizing for propane gas

1. Contact gas supplier to size pipes, tanks, and 100% lockup gas pressure regulator.

#### Propane Supply Pressure Requirements

1. Adjust propane supply regulator provided by the gas supplier for 14 inches w.c. maximum pressure.
2. Pressure required at gas valve inlet pressure port:
  - Maximum 14 inches w.c. with no flow (lockup) or with boiler on.
  - Minimum 8 inches w.c. with gas flowing (verify during boiler start-up).

**WARNING** Ensure that the high gas pressure regulator is at least 6 - 10 feet upstream of the appliance.



# 7 Gas connections *(continued)*

**Table 7A Natural Gas Pipe Size Chart**

Capacity of Schedule 40 Metallic Pipe in Cubic Feet of Natural Gas Per Hour (based on .60 specific gravity, 0.30" w.c. pressure drop)														
Pipe Size (Inches)	Length of Pipe in Straight Feet													
	10	20	30	40	50	60	70	80	90	100	125	150	175	200
1/2	131	90	72	62	55	N/A	N/A	N/A	N/A	N/A	N/A	N/A	N/A	N/A
3/4	273	188	151	129	114	104	95	89	83	79	70	63	58	N/A
1	514	353	284	243	215	195	179	167	157	148	131	119	109	102
1 1/4	1,060	726	583	499	442	400	368	343	322	304	269	244	224	209
1 1/2	1,580	1,090	873	747	662	600	552	514	482	455	403	366	336	313
2	3,050	2,090	1,680	1,440	1,280	1,160	1,060	989	928	877	777	704	648	602
2 1/2	4,860	3,340	2,680	2,290	2,030	1,840	1,690	1,580	1,480	1,400	1,240	1,120	1,030	960
3	8,580	5,900	4,740	4,050	3,590	3,260	3,000	2,790	2,610	2,470	2,190	1,980	1,820	1,700
4	17,500	12,000	9,660	8,270	7,330	6,640	6,110	5,680	5,330	5,040	4,460	4,050	3,720	3,460

**⚠ WARNING** Knight Wall Hung Fire Tube boilers are typically shipped ready to fire on natural gas. Check boiler rating plate to determine which fuel the boiler is set for. If set to natural gas, it may be converted to LP by installing an LP venturi and any additional components provided in the LP conversion kit (see Section 2 - Gas Conversions). In order to operate on LP gas, these components **MUST BE** installed. Failure to comply could result in severe personal injury, death, or substantial property damage.

## Check inlet gas supply

**NOTICE** CSA or UL listed flexible gas connections are acceptable, but you must exercise caution to ensure that the line has adequate capacity to allow your boiler to fire at full rate. Consult with local codes for proper installation or service procedures.

**⚠ WARNING** DO NOT adjust gas valve outlet pressure. The gas valve is factory-set for the correct outlet pressure. This setting is suitable for natural gas and propane, requiring no field adjustment. Attempting to alter the gas valve outlet pressure could result in damage to the valve, causing potential severe personal injury, death, or substantial property damage.

The gas piping must be sized for the proper flow and length of pipe to avoid excessive pressure drop. Both the gas meter and the gas regulator must be properly sized for the total gas load.

If you experience a pressure drop greater than 1 inch w.c., the meter, regulator, or gas line is undersized or in need of service. Perform the steps below when checking inlet gas supply:

- Turn the main power switch to the "OFF" position.
- Shut off gas supply at the manual gas valve in the gas piping to the appliance.
- Loosen the set screw one (1) full turn from inside the pressure tap on top of the gas valve. Place the tubing of the manometer over the tap once the set screw is loosened as shown in FIG. 7-3.
- Slowly turn on the gas supply at the field installed manual gas valve.
- Turn the power switch to the "ON" position.
- Locate the pinhole button above the RESET button on the display board (FIG. 11-1). Insert a thin wire (such as a paper clip) into the hole and press the button once and hold for 5 seconds to place the boiler into Service Mode. In Service Mode the boiler will fire at ignition speed and will then modulate up to full fire.
- Observe the gas supply pressure as the burner fires at 100% of rated input. Percent of burner input will be displayed on the control panel.
- Ensure inlet pressure is within specified range. Minimum and maximum gas supply pressures are specified in this section of the manual.
- If gas supply pressure is within normal range and no adjustments are needed, proceed on to Step 11.
- If the gas pressure is out of range, contact the gas utility, gas supplier, qualified installer, or service agency to determine the necessary steps to provide proper gas pressure to the control.
- Place the boiler back into normal operation by pressing STOP.

# 7 Gas connections

**⚠ WARNING** When re-tightening the set screw, be sure to tighten securely to prevent gas leaks.

Do not check for gas leaks with an open flame -- use the bubble test. Failure to use the bubble test or check for gas leaks can cause severe personal injury, death, or substantial property damage.

12. Turn the power switch to the "OFF" position.
13. Shut off the gas supply at the manual gas valve in the gas piping to the appliance.
14. Remove the manometer from the pressure tap on top of the gas valve. Re-tighten the set screw inside the pressure tap.
15. Turn on the gas supply at the manual gas valve.
16. Turn the power switch to the "ON" position.
17. Check burner performance by cycling the system while you observe burner response. The burner should ignite promptly. Flame pattern should be stable. Turn system off and allow burner to cool, then cycle burner again to ensure proper ignition and flame characteristics.

## Gas Pressure

The gas pressure must remain between 4 inches w.c. (natural), 8 inches w.c. (LP) minimum and 14 inches w.c. (natural and LP) maximum during stand-by (static) mode and while in operating (dynamic) mode. If an in-line regulator is used, it must be a minimum of 10 feet from the Knight Wall Hung Fire Tube boiler. It is very important that the gas line is properly purged by the gas supplier or utility company. Failure to properly purge the lines or improper line sizing, will result in ignition failure.

The problem is especially noticeable in NEW LP installations and also in empty tank situations. This can also occur when a utility company shuts off service to an area to provide maintenance to their lines.

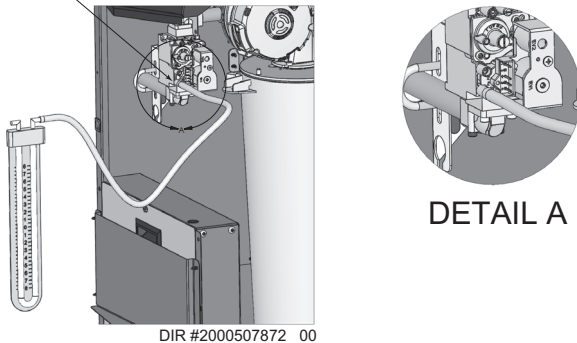
## Gas valve replacement

The gas valve **MUST NOT** be replaced with a conventional gas valve under any circumstances.

**⚠ WARNING** Failure to follow all precautions could result in fire, explosion, or death!

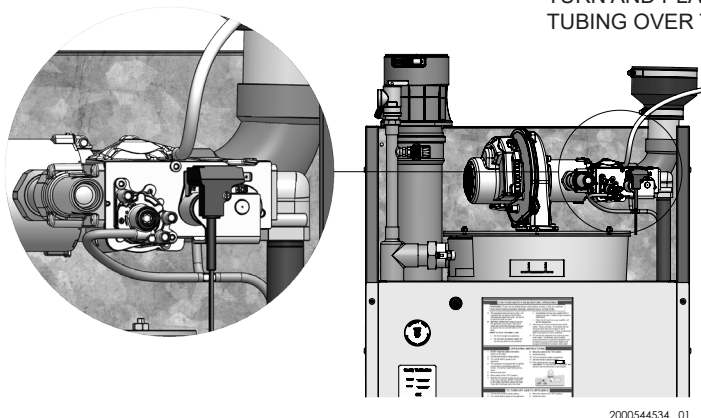
**Figure 7-3 Inlet Gas Supply Check - Models 55 - 285**

LOOSEN THE SET SCREW ONE (1) FULL TURN AND PLACE THE MANOMETER TUBING OVER THE PRESSURE TAP



**Figure 7-4 Inlet Gas Supply Check - Model 399**

LOOSEN THE SET SCREW ONE (1) FULL TURN AND PLACE THE MANOMETER TUBING OVER THE PRESSURE TAP



## 8 Field wiring

### WARNING

**ELECTRICAL SHOCK HAZARD** – For your safety, turn off electrical power supply before making any electrical connections to avoid possible electric shock hazard. Failure to do so can cause severe personal injury or death.

### NOTICE

Wiring must be N.E.C. Class 1.

If original wiring as supplied with boiler must be replaced, use only type 105°C wire or equivalent.

Boiler must be electrically grounded as required by National Electrical Code ANSI/NFPA 70 – latest edition.

### NOTICE

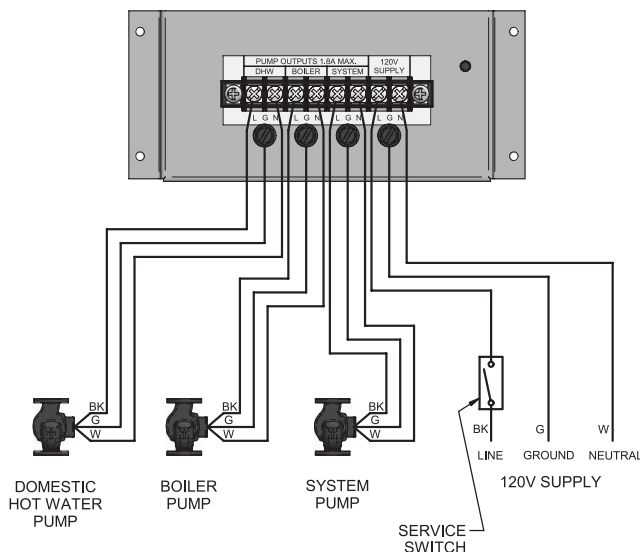
This boiler is equipped with a feature that saves energy by reducing the boiler water temperature as the heating load decreases. This feature is equipped with an override, which is provided primarily to permit the use of an external energy management system that serves the same function. This override **MUST NOT** be used unless at least one of the following conditions is true:

1. An external energy management system is installed that reduces the boiler water temperature as the heating load decreases.
2. This boiler is not used for any space heating.
3. This boiler's input is 300,000 Btu/hr or greater or is part of a modular or multiple boiler system having a total input of 300,000 Btu/hr or greater.
4. This boiler is equipped with a tankless coil.

### WARNING

Label all wires prior to disconnection when servicing controls. Wiring errors can cause improper and dangerous operation.

**Figure 8-1 Line Voltage Field Wiring Connections**



### Installation must comply with:

1. National Electrical Code and any other national, state, provincial, or local codes or regulations.
2. In Canada, CSA C22.1 Canadian Electrical Code Part 1, and any local codes.

### Line voltage connections

1. Connect 120 VAC power wiring to the line voltage terminal strip in the junction box, as shown in FIG. 8-1.
2. Provide and install a fused disconnect or service switch (15 amp recommended) as required by the code.
3. Wire the boiler, DHW (if used), and system pump as shown in FIG. 8-1.

The boiler pump is shipped loose. Wire into the line voltage terminal strip as shown. For variable speed pump operation, connect the 0-10 VDC signal cables to the low voltage board.

### NOTICE

If the boiler, DHW, or system pump motor is larger than 1/8 hp or 1.8 amps, it must be isolated with a relay.

### NOTICE

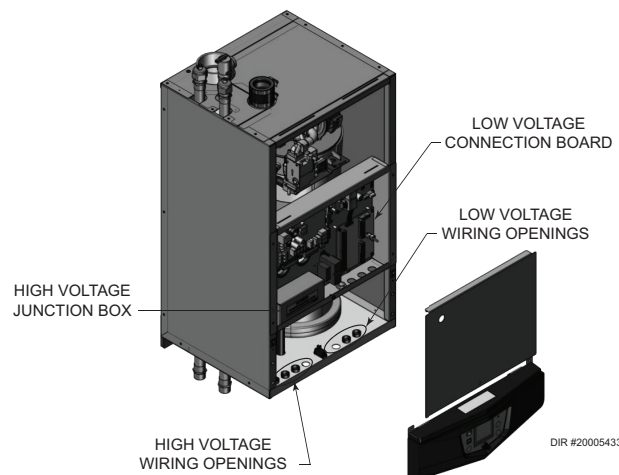
The power outlet is on a separate circuit than the boiler ON/OFF switch. It will remain powered when the boiler is turned off.

The line voltage terminals supply power to an equipment outlet located on the side of the unit. This can be used to supply power to a condensate pump or other low power equipment. Ensure the load does not exceed a maximum of 7 amps.

### Low voltage connections

1. Route all low voltage wires through the openings on the bottom, as shown in FIG. 8-2.
2. Connect low voltage wiring to low voltage connection board as shown in FIG. 8-3 of this manual and the boiler wiring diagram.

**Figure 8-2 Routing Field Wiring**



## 8 Field wiring

### Thermostat

1. Connect the room thermostats or end switches (isolated contact only) to Heat/Loop Demand 1, 2, or 3, as shown in FIG. 8-3.
2. Install the thermostat on the inside wall away from influences of drafts, hot or cold water pipes, lighting fixtures, television, sunlight, or fireplaces.
3. Thermostat anticipator (if applicable):
  - a. If connected directly to boiler, set for 0.1 amps.
  - b. If connected to relays or other devices, set to match total electrical power requirements of connected devices. See device manufacturers' specifications and thermostat instructions for details.

### Outdoor temperature sensor

In the absence of an external energy management system, an outdoor temperature sensor must be used for all models with inputs less than 300,000 Btu/hr.

1. Mount the sensor on an exterior wall, shielded from direct sunlight or flow of heat or cooling from other sources.
2. Route sensor wires through an opening provided (see FIG. 8-2).
3. Connect outdoor temperature sensor (FIG. 8-3) to the outdoor sensor terminals on the connection board to enable outdoor reset operation of the Knight Wall Hung Fire Tube boiler.

### DHW thermostat

Connect storage indirect water heater (DHW) thermostat (FIG. 8-3) to the DHW thermostat terminals on the connection board. If a tank sensor is connected (see DHW Tank Sensor below) the tank thermostat is ignored.

### DHW tank sensor

1. By installing a tank sensor, the SMART SYSTEM control can perform the tank thermostat function. The SMART SYSTEM control automatically detects the presence of this sensor and generates a DHW call for heat when the tank temperature drops 6°F (3°C) below the tank set point and finishes the call for heat when the tank temperature reaches the tank set point.
2. The tank sensor included with the Lochinvar Squire Indirect DHW tank is the only sensor suitable for use with the SMART SYSTEM control. Connect the sensor leads to the Tank Sensor terminals on the Low Voltage Connection Board (FIG. 8-3).



**WARNING** Failure to use the correct sensor may result in the tank temperature being either above or below the set point.

3. If the tank sensor is not compatible with the indirect tank, a tank thermostat can be used to control the boiler. The tank thermostat should be installed per the manufacturers instructions and wired to the DHW Thermostat terminals on the Low Voltage Connection Board.

### Louver relay

If louvers need to operate when the boiler fires, they can be controlled by this output. Connect these terminals to a 24 VAC relay coil, which is wired to operate the louvers (FIG. 8-3).

### Auxiliary (louver) proving switch

When the operation of the louvers or auxiliary equipment needs to be verified before the boiler fires, remove the jumper wire from these terminals and connect them to the normally open contacts on its proving switch (FIG. 8-3).

### High gas pressure switch

If a switch is provided to detect excessive gas pressure, remove the jumper wire from the terminals on the connection board, and then connect them to its normally closed contacts (FIG. 8-3).

### Low gas pressure switch

1. If a switch is provided to detect low gas pressure, remove the jumper wire from the terminals on the connection board and connect them to its normally open contacts (FIG. 8-3).
2. If both a high and low gas pressure switch is used, connect their respective contacts in series, and connect them to the terminals on the connection board (FIG. 8-3).

### Variable speed system pump

If a variable speed pump is used in the primary loop, and a 0-10V signal is available from the pump speed control, this signal can be used by the SMART SYSTEM control to anticipate changes in the building heat load. By connecting this 0 - 10V signal to the 0 - 10V SYS PUMP IN terminals, the boiler (or cascade) can modulate up and down as the primary flow increases and decreases.

### Boiler pump speed output

This 0 - 10V output is available to control the speed of a variable speed boiler pump. The SMART SYSTEM control will vary the speed of this pump in order to maintain a minimum  $\Delta T$  across the heat exchanger, as well as prevent high limit lockouts when the flow in the primary loop is extremely low. **NOTE:** This feature is to be used with Primary Secondary Piping systems only. A system supply sensor must be installed. Connect this output to the 0 - 10V input on the boiler pump speed control. Factory supplied pump wiring - brown (+) blue (-).

### Rate output

This output provides a 0 - 10V signal that is proportional to the firing rate of the boiler. This may be used by a BMS system to monitor the actual rate of the boiler.

### ModBus/BACnet

When the optional ModBus or BACnet interface module is installed, the RS-485 cable is connected to these terminals. Use shielded, 2-wire twisted pair cable. If desired, the shield can be connected to ground by installing a jumper wire between terminals 1 and 3 on connector X5 on the optional ModBus/BACnet interface module.

## 8 Field wiring *(continued)*

### Flow switch

1. A flow switch is used to guarantee flow through the boiler before allowing it to fire. The flow switch must be installed at the boiler outlet.
2. Remove the jumper wire from these terminals, and connect these terminals to the normally open contacts on the flow switch (FIG. 8-3).

### System supply sensor

1. By installing the system supply sensor into the supply of the primary loop, the temperature of the primary supply can be controlled. The SMART SYSTEM control automatically detects the presence of this sensor and controls the boiler firing rate to maintain the system supply temperature to the set point (if the outlet sensor control is currently selected). If it is desired to control the system return temperature, then program the SMART SYSTEM control to use the inlet sensor as the controlling sensor. See the Knight Wall Hung Fire Tube Boiler Service Manual for instructions on how to use the inlet sensor as the controlling sensor. When the inlet sensor is programmed as the controlling sensor, it is vital that the SYSTEM SUPPLY sensor be installed. **DO NOT INSTALL THE SYSTEM SUPPLY SENSOR INTO THE SYSTEM RETURN.**
2. The sensor provided with the boiler must be used for the system sensor.
3. Connect these terminals to the system supply sensor (FIG. 8-3).

### Boiler management system

The United States Energy Policy and Conservation Act requires residential heating boilers with inputs less than 300,000 Btu/hr be equipped with a control that automatically adjusts boiler water temperature in relation to heat demand. An external control may be connected to control the firing rate or the set point of the boiler provided that either an external energy management system is installed that reduces the boiler water temperature as the heating load decreases, the boiler is not used for any space heating, or the boiler is part of a modular or multiple boiler system having a total input of 300,000 Btu/hr or greater.

1. An external control may be connected to control either the firing rate or the set point of the boiler. If the external control uses a set of contacts to enable the boiler, connect the contacts to the Heat/Loop Demand 1 terminals. Otherwise, the SMART SYSTEM control will be enabled by the 0-10V signal.
2. Make sure the (-) terminal is connected to the (-) or common output terminal of the external control, and the 0 - 10 VDC terminal is connected to the 0 - 10 VDC terminal of the external control. Make sure the (-) voltage is not below ground.

### Runtime contacts

The SMART SYSTEM control closes a set of dry contacts whenever the burner is running. This is typically used by Building Management Systems to verify that the boiler is responding to a call for heat.

### Alarm contacts

The SMART SYSTEM control closes another set of contacts whenever the boiler is locked out or the power is turned off. This can be used to turn on an alarm or signal a Building Management System that the boiler is down.

### DHW recirculation sensor

The Knight Wall Hung Fire Tube boiler is able to control a DHW recirculation pump. To operate this feature, a temperature sensor must be installed in the circulation loop return. Connect this sensor to the DHW recirculation sensor terminals on the Low Voltage Connection Board.

### DHW recirculation pump

When the DHW recirculation sensor (as described above) is connected, the Knight Wall Hung Fire Tube SMART SYSTEM control will output 24 VAC to control a DHW recirculation pump relay (field supplied). Connect the coil of the DHW recirculation pump relay to the 24 VAC recirculation pump relay coil terminals on the Low Voltage Connection Board.

### Wiring of the cascade

When wiring the boilers for Cascade operation, select one boiler as the Leader boiler. The remaining boilers will be designated as Members. See "Configuration of the Cascade" for a detailed explanation of this procedure.

Connect the system supply sensor and outdoor air sensor (if used) to the Leader boiler. For the Cascade system to work properly the system supply sensor must be installed. The location of the system supply sensor should be downstream of the boiler connections in the main system loop (see Section 6 - Hydronic Piping). The system supply sensor should be wired to the Low Voltage Connection Board at the terminals marked for the system sensor (see FIG. 8-3). The Leader control will use the water temperature at the system supply sensor to control the operation of the Cascade.

## 8 Field wiring

### Wiring of the cascade (cont'd)

If outdoor air reset is desired, the outdoor air sensor should be wired to the Low Voltage Connection Board at the terminals marked for the outdoor air sensor (FIG. 8-3). If the outdoor air sensor is connected, the Leader control will calculate the water temperature set point based on the programmed reset curve parameters. If the outdoor air sensor is not connected, the Leader control will maintain the fixed water temperature set point that is programmed into the control.

If a Thermostat, Zone Control enable output, or Building Management System enable output is available, it should be wired to the Low Voltage Connection Board on the Leader boiler at the terminals marked for one of the heat/loop demands 1-3 (FIG. 8-3). If the boilers are to run continuously, connect a jumper wire between the R and W terminals for the heat/loop demand input. This will initiate a call for heat on the Cascade.

Communication between the Leader boiler and the Member boilers is accomplished by using shielded, 2-wire twisted pair communication cable. Connect one of the twisted pair wires to Cascade terminal A on each of the Low Voltage Connection boards, and the other wire of the twisted pair to Cascade terminal B on each of the Low Voltage Connection Boards. Connect the shield wires to one of the shield terminals on the Low Voltage Connection Boards (FIG. 8-3). If more than two boilers are on the Cascade, daisy chain the wiring from the Cascade terminals on the second boiler to the Cascade terminals on the third boiler, then from the third to the fourth, and so on. The connections between boilers can be made in any order, regardless of the addresses of the boilers. Try to keep each cable as short as possible.

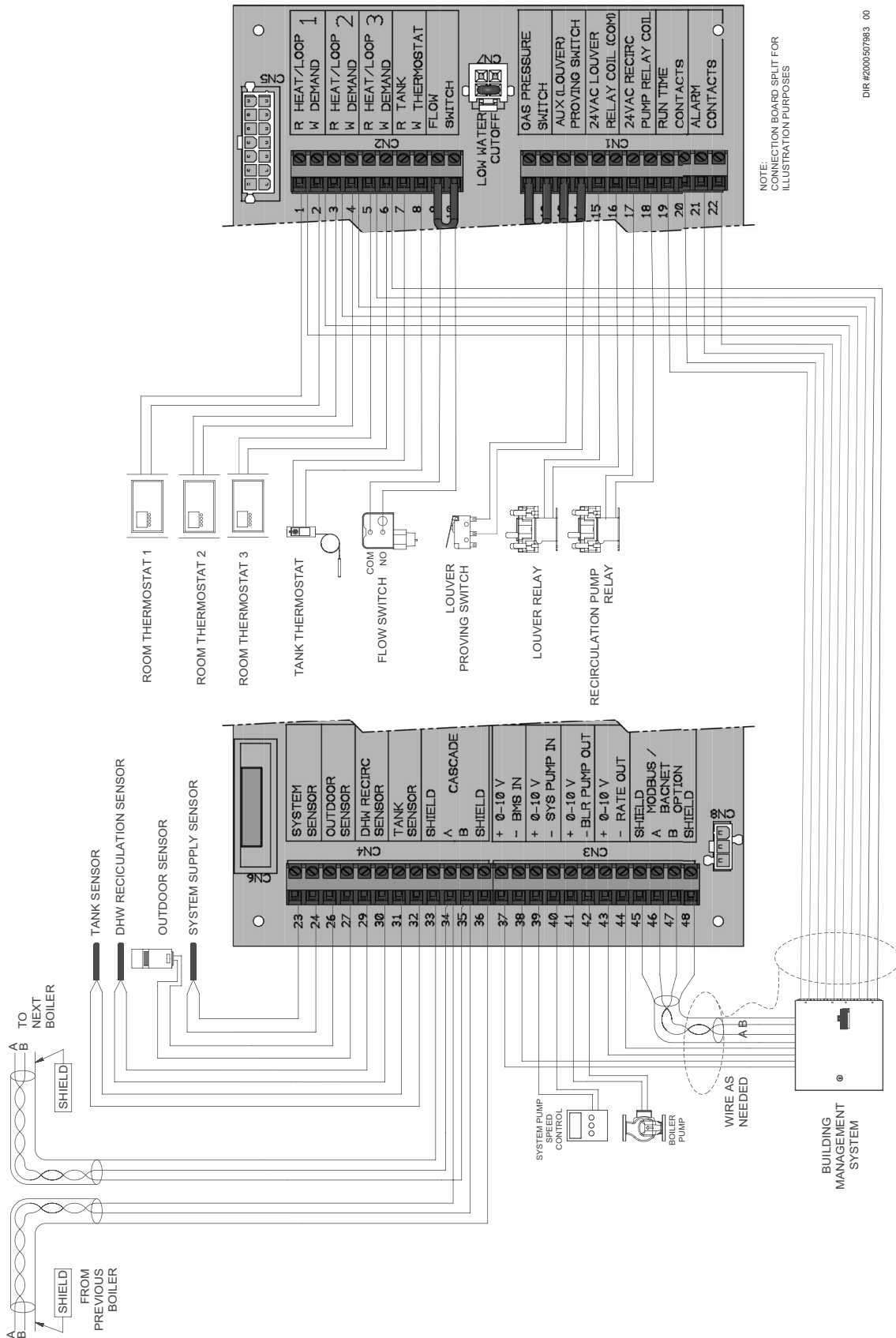
When the Member 1 boiler is programmed as an alternate leader this allows the Member 1 boiler to automatically assume control of the Cascade should it lose communications with the Leader boiler. When programmed to YES, it is recommended that the Member 1 boiler have its own set of external sensors installed (such as the system supply sensor), to maintain the same level of temperature control as with the Leader boiler. Voltage signals (such as 0 - 10V system pump speed input) can be connected to both boilers.

**⚠ WARNING** DO NOT connect the sensors connected to the Leader boiler to the Member 1 boiler. The actual water temperatures will be higher than expected, which could lead to property damage, personal injury, or death.

When communication is re-established with the Leader boiler, Member 1 will automatically relinquish control of the Cascade to the Leader boiler.

# 8 Field wiring (continued)

Figure 8-3 Low Voltage Field Wiring Connections



DIR #000507983 00

# 9 Condensate disposal

## Condensate drain

1. This boiler is a high efficiency appliance that produces condensate.
2. The bottom of the boiler has a 1 1/4 inch pipe for connection of the condensate trap (FIG. 9-1).
3. The provided condensate trap is equipped with a ball that acts as a seal against harmful flue gases escaping in case there is no condensate in the trap. If this ball is not present, flue gases may be able to pass through the trap when there is no condensate present, resulting in an unsafe environment. It is important to check and make sure the ball is located in the trap, acting as a seal against flue gases.
4. Fill condensate trap with enough water to make the ball float (FIG. 9-1).
5. Loosen compression fitting (FIG. 9-1).
6. Slide the condensate trap onto the condensate drain at the bottom of the unit. As the trap is pressed on, a stainless steel retaining ring will engage the drain pipe allowing the trap to be pushed on, but not pulled off.
7. Tighten compression fitting.
8. Slope condensate tubing down and away from the boiler into a drain or condensate neutralizing filter. Condensate from the Knight Wall Hung Fire Tube boiler will be slightly acidic (typically with a pH from 3 to 5). Install a neutralizing filter if required by local codes.  
A Neutralizer Kit is available from the factory.
9. Do not expose condensate line to freezing temperatures.
10. Use only plastic tubing or piping as a condensate drain line (FIG. 9-1).

11. A condensate removal pump is required if the boiler is below the drain. When installing a condensate pump, select one approved for use with condensing boilers and furnaces. The pump should have an overflow switch to prevent property damage from condensate spillage. The switch should be wired in series with the air pressure switch inside the boiler.

### NOTICE

Use materials approved by the authority having jurisdiction. In the absence of other authority, PVC and CPVC pipe must comply with ASTM D1785 or D2845. Cement and primer must comply with ASME D2564 or F493. For Canada use CSA or ULC certified PVC or CPVC pipe, fittings, and cement.

### NOTICE

To allow for proper drainage on large horizontal runs, a second line vent may be required and tubing size may need to increase to 1 inch.

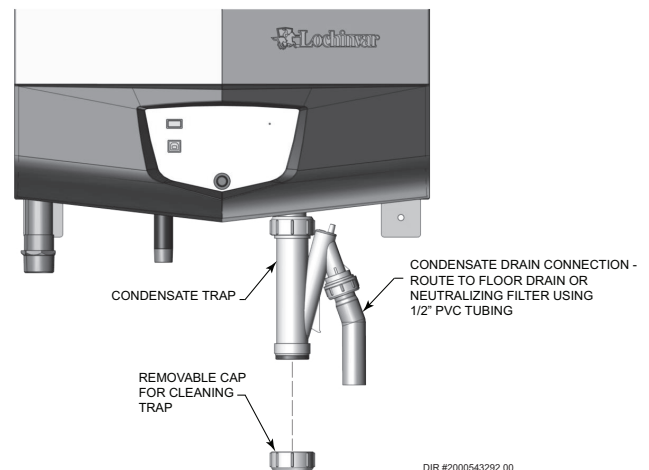
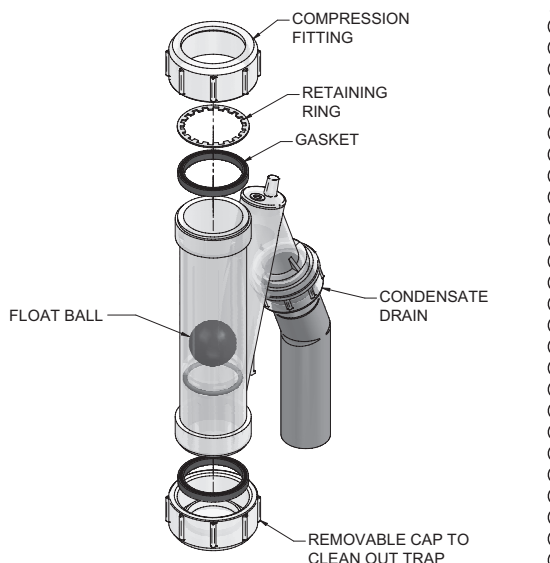
The condensate line must remain unobstructed, allowing free flow of condensate. If condensate is allowed to freeze in the line or if the line is obstructed in any other manner, condensate can exit from the condensate trap vent opening, resulting in potential water damage to property.

### WARNING

The stainless steel retaining ring must be installed between the rubber sealing gasket and the compression fitting (FIG. 9-1). The compression fitting must be tightened.

The condensate trap must have the float ball (FIG. 9-1) in place during all times of boiler operation to avoid flue gas emission from the condensate drain line. Failure to ensure the float ball is in place could result in severe personal injury or death.

Figure 9-1 Condensate Disposal



DIR #2000543292 00



# 10 Start-up

## Pre-Commissioning Cleaning

1. Prior to fill and start-up, flush the entire heating system.
2. Clean the entire heating system with an approved pre-commissioning cleaner (comparable to Sentinel X300 or X400 and Fernox F3 or DS40) in accordance with the manufacturer's recommendation to remove debris and prolong the life of the heat exchanger.
3. Clean all water filtering devices in the system.
4. Flush the cleaning solution out of the entire system and refill.

### If PVC or CPVC venting is being installed

1. Do not apply power to the unit until primers and cements are cured.
2. Disconnect the ignition harness and ensure the gas valve is in the off position.
3. Allow the unit to run through 5 - 10 ignition cycles.
4. Turn off the power and reconnect ignition harness.

## Fill water

### Check/control fill water chemistry

**IMPORTANT** Conduct water quality testing prior to installing the appliance. Various solutions are available to adjust water quality.

The manufacturer recommends the following for properly filling your boiler with the appropriate water chemistry for closed loop boilers. Good fill water quality will help extend the life of the appliance by reducing the effects of lime scale buildup and corrosion in closed loop systems.

#### Hardness between 5 and 12 grains per gallon

1. Consult local water treatment companies for hard water areas (above 12 grains per gallon hardness).
2. Hardness levels that are above 12 grains/gallon can lead to lime scale build-up throughout the boiler system. If the fill water is below 5 grains/gallons, usually due to use of a water softener, it is recommended to mix in some potable water at the inlet to increase the hardness of the water to above 5 grains/gallons.

#### pH between 6.5 and 8.5

1. pH levels below 6.5 can cause an increase in the rate of corrosion. pH of 8.5 or higher can potentially cause lime scale build-up.

#### Total Dissolved Solids (TDS) less than 350 ppm

1. Total dissolved solids are all minerals, salts, metals, and charged particles that are dissolved in water.
2. The greater the amounts of TDS present, the higher the corrosion potential due to increased conductivity in the water.

#### Chlorine concentration less than 150 ppm

1. Do not fill boiler or operate with water containing chlorine in excess of 150 ppm.
2. Filling with fresh drinking water should be acceptable.
3. Do not use the boiler to directly heat swimming pool or spa water.

## Boiler water

### CAUTION

Do not use petroleum based cleaning or sealing compounds in the boiler system. Gaskets and seals in the system may be damaged. This can result in substantial property damage.

DO NOT use "homemade cures" or "boiler patent medicines." Serious damage to boiler, personnel, and/or property may result.

Table 10A Boiler Water Chemistry

BOILER WATER CHEMISTRY	
Specification	Range
Dissolved Solids	< 2000 ppm
pH Level	6.5 to 9.5
Chloride	< 150 ppm

- Monitoring pH, chlorides, TDS, and hardness levels can prolong the life of the appliance by reducing lime scale build-up, corrosion, and erosion. Check for leaks to ensure that fresh water is not entering the system.
- Continual fresh makeup water will reduce boiler life.
- Mineral build-up in the heat exchanger reduces heat transfer, overheats the stainless steel heat exchanger, and causes failure.
- The addition of oxygen carried in by makeup water can cause internal corrosion in system components.
- Leaks in the boiler or piping must be repaired at once to prevent excessive makeup water. For this purpose, it is recommended to install a water meter to easily check the amount of makeup water entering the system. Makeup water volume should not exceed 5% of the total system volume per year. **Note:** When makeup water is added, make sure the chemical additives are added to maintain the correct level.
- An approved multi-metal corrosion inhibitor (comparable to Sentinel X100 or Fernox F1) is recommended at the correct concentration and in the manner recommended by the manufacturer.

## Freeze protection fluids

### WARNING

Ethylene glycol is toxic. DO NOT use as your freeze protection fluid. Ethylene glycol has a sweet aroma which children and pets could mistake as food and ingest; leading to death.

# 10 Start-up

1. Use glycol only if needed for freeze protection fluid.
2. Propylene glycol is the recommended freeze protection fluid.
3. Make sure to flush the boiler system before adding glycol.
4. Determine the freeze protection fluid quantity using system water content, following the fluid manufacturer's instructions. Boiler water content is listed on page 6. Remember to include expansion tank water content.
5. Local codes may require a backflow preventer or actual disconnect from city water supply.
6. When using freeze protection fluid with automatic fill, it is suggested to install a water meter to monitor water makeup. Freeze protection fluid may leak before the water begins to leak, causing the concentration to drop, which reduces the freeze protection level.
7. The freeze protection set points may be lowered when freeze protection fluid is used (see the Knight Wall Hung Fire Tube Service Manual).
8. Consult the glycol manufacturer for details on the suggested mix of glycol and water for the desired freeze protection level and the de-rate effect it will have on the boiler output.

## Test / replace freeze protection fluid

1. For systems using freeze protection fluids, follow the fluid manufacturer's instructions.
2. Freeze protection fluid must be replaced periodically due to degradation of inhibitors over time.
3. It is recommended to test the glycol concentration annually and adjust within the desired set points.

## Oxygen prevention

### CAUTION

Eliminate all system leaks. Continual fresh makeup water will reduce boiler life. Minerals can build up in the heat exchanger, reducing heat transfer, overheating the heat exchanger, and causing heat exchanger failure.

Dissolved oxygen can have a negative effect on the boiler system. Oxygen can cause iron oxide to generate iron deposits. Oxygen may also increase the rate of corrosion on non-stainless steel parts of the system. A low pH level combined with oxygen further enhances its corrosive effects. After boiler installation, check for air leaks in the following areas:

- Suction gasket
- Pump
- Air valve
- O-ring gaskets

Precautions include installing a water meter to evaluate the fresh water volume entering the system (should be no more than 5% system volume). Additional volumes of fresh water could indicate that a leak is present.

## Fill and test water system

1. Fill system only after ensuring the water meets the requirements of this manual.
2. Close automatic and manual air vents and boiler drain valve.
3. Fill to correct system pressure. Correct pressure will vary with each application.
  - a. The minimum cold water fill pressure for a system is 12 psi.
  - b. Pressure will rise when the boiler is turned ON and system water temperature increases.
4. At initial fill and during boiler start-up and testing, check the system thoroughly for any leaks. Repair all leaks before proceeding further.

## Purge air from water system

1. Purge air from system:
  - a. Connect a hose to the purge valve (see purge/drain valve in the piping diagrams). Route the hose to an area where water can drain and be seen.
  - b. Close the boiler or system isolation valve between the purge valve and fill connection to the system.
  - c. Close zone isolation valves.
  - d. Open the quick-fill valve on the cold water makeup line.
  - e. Open purge valve.
  - f. Open the isolation valves one zone at a time. Allow water to run through the zone, pushing out the air. Run until no noticeable air flow is present. Close the zone isolation valves and proceed with the next zone. Follow this procedure until all zones are purged.
  - g. Close the quick-fill water valve and purge valve and remove the hose. Open all isolation valves. Watch that system pressure rises to correct cold-fill pressure.
  - h. After the system has operated for a while, eliminate any residual air by using the manual air vents located throughout the system.
  - i. If purge valves are not installed in the system, open the manual air vents in the system one at a time, beginning with the lowest floor. Close the vent when water squirts out. Repeat with remaining vents.
2. Open the automatic air vent (diaphragm-type or bladder-type expansion tank systems only) one turn.
3. Open other vents:
  - a. Starting on the lowest floor, open air vents one at a time until water squirts out.
  - b. Repeat with remaining vents.
4. Refill to correct pressure.

# 10 Start-up *(continued)*

## Final checks before starting the boiler

- ❑ Read the Knight Wall Hung Fire Tube Boiler Service Manual to familiarize yourself with SMART SYSTEM control module operation. Read the preceding Start-up sections in this manual for proper steps to start boiler. Verify the preparation procedures have been completed.
- ❑ Verify the boiler and system are full of water and all system components are correctly set for operation.
- ❑ Verify electrical connections are correct and securely attached.
- ❑ Inspect vent piping and air piping for signs of deterioration from corrosion, physical damage, or sagging. Verify air piping and vent piping are intact and correctly installed per this manual.

## Check for gas leaks

**⚠ WARNING** Before starting the boiler, and during initial operation, smell near the floor and around the boiler for gas odorant or any unusual odor. Remove the top access panel and smell the interior of the boiler enclosure. Do not proceed with start-up if there is any indication of a gas leak. Use an approved leak detection solution. Repair any leaks at once.

**⚠ WARNING** DO NOT adjust gas valve outlet pressure. The gas valve is factory set for the correct outlet pressure. This setting is suitable for natural gas and propane, requiring no field adjustment. Attempting to alter the gas valve outlet pressure could result in damage to the valve, causing potential severe personal injury, death, or substantial property damage.

**⚠ WARNING** Propane boilers only – Your propane supplier mixes an odorant with the propane to make its presence detectable. In some instances, the odorant can fade, and the gas may no longer have an odor. Before start-up (and periodically thereafter), have the propane supplier verify the correct odorant level in the gas.

## Inspect condensate system

### Inspect/check condensate lines and fittings

1. Inspect the condensate drain line, condensate fittings, and condensate trap to ensure the trap is properly installed and connected to the condensate pipe under the boiler. Reference Section 9 - Condensate Disposal for installation instructions.

## Check thermostat circuit(s)

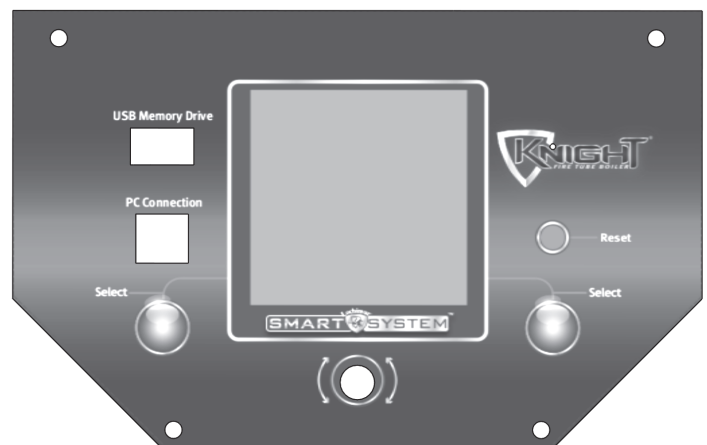
1. Disconnect the two external wires connected to each of the heat/loop demand terminals on the connection board.
2. Connect a voltmeter across these two incoming wires. Close each thermostat, zone valve, and relay in the external circuit one at a time and check the voltmeter reading across the incoming wires.
3. There should NEVER be a voltage reading.
4. If a voltage does occur under any condition, check and correct the external wiring. (This is a common problem when using 3-wire zone valves.)
5. Once the external thermostat circuit wiring is checked and corrected if necessary, reconnect the external thermostat circuit wires to the connection board.

## Setup wizard

The Knight Wall Hung Fire Tube boiler control has a Setup Wizard feature that can be used to help with the initial start-up of the unit. This Setup Wizard will walk an installer through the most commonly required parameters.

The Setup Wizard is automatically accessed the first time the unit is powered up from the factory and will allow setting of certain parameters without the need to enter the installer password. Once the Setup Wizard is completed or canceled, it can only be accessed again by going through the installer menu.

**Figure 10-1 Setup Wizard Navigation**



DIR #2000544469 00

## Button selection in setup wizard

NAVIGATION DIAL = ADJUST SETTING  
 RIGHT SELECT KEY = NEXT PARAMETER  
 LEFT SELECT KEY = SAVE AND EXIT

# 10 Start-up

## Parameters in the setup wizard

### DATE / TIME

The control uses an internal clock for the night setback feature and for logging of events. For these features to work correctly, the clock must be set when the boiler is first installed or any time the boiler has been powered off for more than four (4) hours.

### TEMPERATURE UNITS

The control can display temperature in either °C or °F (default °F).

### SPACE HEAT 1 SETPT

This parameter sets the water temperature set point for the SH1 space heating zone. It also serves as the upper limit for the SH1 set point that can be generated by the outdoor air reset curve for that zone. The default value is 125°F (52°C).

### SH1 LOW OUTDOOR TEMP

This parameter sets the outdoor air temperature corresponding to the *SH1 Set Point 1 at Low Outdoor Temperature* parameter used on the outdoor air reset curve. This parameter should be set to the outdoor temperature used in the heat load calculation for the cold design day. The default value is 25°F (-4°C).

### SH1 SETPT @ LOW OUTDOOR TEMP

This will be the calculated space heating set point when the outdoor air temperature drops to the *SH1 Low Outdoor Temperature* parameter set for the coldest day. If the outdoor air temperature drops further, the set point will increase above this setting until the *Space Heat 1 Set Point* is met. The default value is 180°F (82°C).

### SH1 HIGH OUTDOOR TEMP

When the outdoor air temperature rises to or above this point, the water temperature will be at the *SH1 Set Point at High Outdoor Temperature* parameter. The default value is 70°F (21°C).

### SH1 SETPT @ HIGH OUTDOOR TEMP

This will be the calculated space heating set point when the outdoor air temperature rises to or above the *SH1 High Outdoor Temperature* set point. The default is 70°F (21°C).

### DHW TANK SETPT

When a tank sensor is installed, the control will use this value for the tank thermostat set point. The default value is 180°F (82°C).

### DHW BOILER SETPT

When a DHW call for heat becomes active, the control will use the DHW boiler set point to determine the firing rate of the boiler based on the boiler outlet water temperature or system temperature when DHW is programmed as a zone. The default value is 180°F (82°C).

### DHW TYPE

This parameter determines whether the Fire Tube boiler treats the indirect DHW tank as a separate load or as a zone on the primary loop. When a DHW demand begins in NORMAL mode the boiler will turn on the DHW pump, turn off the boiler pump, and modulate to bring the outlet temperature to the DHW boiler set point. The maximum firing rate may be limited in this mode if desired. When programmed as a zone, the boiler will turn on the DHW pump, leave the boiler pump on, and change the system set point of the *DHW Boiler Set Point* parameter. The system pump may be forced on or off, or not changed, depending on the system pump mode selected (see Service Manual for details). In this mode, any low temperature zones may require additional controls to limit the water temperature sent to those zones. The choices are NORMAL and ZONE. The default setting is NORMAL.

### RAMP DELAY

Enabling ramp delay will limit the firing rate for a fixed period of time at the start of a space heating or BMS set point demand. There are six (6) limits, each with their own time delay. The default setting is DISABLE. The factory settings for ENABLE are listed in Table 10B.

**Table 10B Ramp Delay / Default Time Delay**

Step	Rate Limit	Time Delay
1	15%	2 min
2	30%	1 min
3	45%	1 min
4	60%	1 min
5	80%	1 min
6	100%	1 min

### BOILER PUMP TYPE

This parameter determines how the control turns the boiler circulating pump on and off. The choices are CONSTANT and VARIABLE. When set to CONSTANT the control will use a relay to cycle power supply to the boiler pump. The CONSTANT setting can be used with either a fixed or variable speed circulating pump. When set to VARIABLE and wired to the 0-10V Boiler Pump connections on the low voltage board, the control will use a 0-10 VDC signal to turn off the pump. The VARIABLE setting should be used when controlling the ECM variable speed boiler pump provided by the factory. The default setting is CONSTANT.

# 10 Start-up *(continued)*

## Start the boiler

Read and follow the operating instructions in FIG.'s 10-2 and 10-3.

### If the boiler does not start correctly

1. Check for loose connections, blown fuse, or power switch.
2. Check that boiler water temperature is below 200°F.
3. Check that thermostat is set above room temperature.
4. Check that gas is turned on at meter and boiler.
5. Check that incoming gas pressure is within the limits specified in Section 7.

If none of the above corrects the problem, refer to the Troubleshooting Section of the Knight Wall Hung Fire Tube Boiler Service Manual.

## Check system and boiler

### Check water piping

1. Check system piping for leaks. If found, shut down the boiler and repair immediately. (See Section 10 - Boiler Water for information regarding failure to repair leaks).
2. Vent any remaining air from the system using manual vents. Air in the system will interfere with circulation and cause heat distribution problems and noise.

### Check vent piping and air piping

Check for gastight seal at every connection and seam of vent and air piping.

**⚠ WARNING** Venting system must be sealed gastight to prevent flue gas spillage and carbon monoxide emissions, which will result in severe personal injury or death.

### Check gas piping

Check around the boiler for gas odor following the procedure in Section 7 - Connecting Gas Supply Piping.

### Propane boilers - verify conversion

Verify propane conversion has been completed per the instructions given in Section 2 - Gas Conversions.

**⚠ WARNING** Knight Wall Hung Fire Tube boilers are typically shipped ready to fire on natural gas. Check boiler rating plate to determine which fuel the boiler is set for. If set to natural gas, it may be converted to LP by installing components provided in the LP conversion kit. In order to operate on LP gas, these components **MUST BE** installed. Failure to comply could result in severe personal injury, death, or substantial property damage.

**⚠ WARNING** If you discover evidence of any gas leak, shut down the boiler at once. Find the leak source with a bubble test and repair immediately. Do not start the boiler again until corrected. Failure to comply could result in severe personal injury, death, or substantial property damage.

## Check flame and combustion

1. Turn the main power off to the boiler by placing the ON/OFF switch in the OFF position.
2. Remove the combustion plug from the vent connector provided on the unit. Insert the probe from a combustion analyzer into the opening on the vent connector.  
**NOTE:** Combustion measurements will be made at this point.
3. Turn the main power on to the boiler by placing the ON/OFF switch in the ON position. Place the boiler into the active position by pressing the RIGHT SELECT [ON] key (FIG. 11-1).  
**NOTE:** The brackets ([]) denote screen status.
4. Locate the pinhole button above the RESET button on the display board. Insert a thin wire (such as a paper clip) into the hole and press the button once and hold for five (5) seconds to place the boiler into Service Mode. In Service Mode the boiler will fire at ignition speed and will then modulate up to full fire.
5. Once the boiler has modulated up to full fire, measure the combustion. The values should be in the range listed in Table 10C. The CO levels shall be less than 200 ppm for a properly installed unit.  
If the combustion is not within the specified range, refer to the Troubleshooting Section of the Knight Wall Hung Fire Tube Boiler Service Manual for possible causes and corrective actions.
6. Once the combustion analysis is complete, re-install the plug in the vent connector.  
Test the safety shutoff device by turning the manual shutoff switch to the OFF position and ensuring that the boiler shuts down and registers an alarm. Turn the manual shutoff switch to the ON position and reset the control. Place the boiler back into normal operation.

**Table 10C Flue Products Chart**

Natural Gas				
Input Rate	Target		Range	
	CO <sub>2</sub>	O <sub>2</sub>	CO <sub>2</sub>	O <sub>2</sub>
High Fire	9.2%	4.5%	9.0% - 10.5%	2.1% - 4.8%
Low Fire	9.0%	4.8%	8.8% - 9.5%	3.9% - 5.2%
<b>CO levels shall be less than 200 ppm.</b>				

Propane				
Input Rate	Target		Range	
	CO <sub>2</sub>	O <sub>2</sub>	CO <sub>2</sub>	O <sub>2</sub>
High Fire	10.8%	4.5%	10.5% - 11.5%	3.5% - 5.0%
Low Fire	10.5%	5.0%	10.0% - 11.0%	4.2% - 5.8%
<b>CO levels shall be less than 200 ppm.</b>				

**⚠ WARNING** You must replace the combustion plug in the vent connector to prevent flue gas spillage into the room. Failure to comply could result in severe personal injury, death, or substantial property damage.

# 10 Start-up

## Set space heating operation

### Determine controlling sensor

For space heating systems, the temperature control can be based on one of three sensors; the inlet, outlet, or system supply sensor. The SMART SYSTEM control is programmed at the factory to control the temperature of the outlet sensor. The control will automatically switch to the system supply sensor once it is connected. If it is desired to base the temperature control on the inlet sensor, the appropriate parameter must be changed in the control. See the Knight Wall Hung Fire Tube Boiler Service Manual for a detailed explanation of this procedure.

### Verify space heat circulator mode

The Space Heating Mode controls both the system pump (if connected) and the boiler pump. When the SMART SYSTEM control receives a space heating call for heat, it turns on the system pump. If the boiler is not heating an indirect DHW (Domestic Hot Water) tank, and the set point is not met, it also turns on the boiler pump. After the space heating call for heat ends, the system pump continues to run for a short period of time. The system pump can be programmed to run continuously, except during outdoor shutdown. If the boiler pump was running, it continues to run for a short period of time as well. These pump delays are factory set to 30 seconds. If different delays are desired, the appropriate parameters in the control must be changed. See the Knight Wall Hung Fire Tube Boiler Service Manual for a detailed explanation of this procedure.

### Adjust set point temperature(s)

**NOTICE** Please note that the brackets ([ ]) denote screen status.

The NAVIGATION dial may be used during normal operation to adjust the space heating and tank set point temperatures.

1. From the Status Screen press the NAVIGATION dial.
2. Turn the NAVIGATION dial counterclockwise to select the appropriate set point.
3. Press the NAVIGATION dial to adjust the temperature.
4. Once the desired temperature is displayed, press the RIGHT SELECT [SAVE] key.
5. If necessary repeat Steps 3 and 4 to make adjustments to additional set points.
6. Press the RIGHT SELECT [HOME] key to upload the changes.
7. If the RIGHT SELECT [SAVE] key is not pressed, the new settings will be discarded.

## Set domestic hot water (DHW) operation

### Verify DHW mode

There are two (2) modes of operation for DHW. In Normal Mode, when a DHW demand begins, the control will start the DHW pump, turn off the boiler pump (if running), and modulate to bring the outlet temperature to the DHW boiler set point. The maximum firing rate may be limited in this mode if desired.

### Set DHW boiler target temperature

When in the DHW Mode, the control will modulate to maintain the boiler outlet temperature or system supply temperature to a set point. This set point parameter may be set in the Smart Setup Wizard. See the Service Manual for a detailed explanation of this procedure.

### Set maximum DHW fan speed

If the rated input of the indirect tank is less than the maximum output of the boiler, change the maximum DHW fan speed setting to limit the boiler output accordingly, see the Knight Wall Hung Fire Tube Boiler Service Manual for a detailed explanation of this procedure.

## Configuration of the cascade

**NOTICE** Please note that the brackets ([ ]) denote screen status.

When installed in a Cascade system, the individual controls must be programmed for cascade operation. This is accomplished by accessing the control parameters.

Press the [MENU] key for at least five (5) seconds. Input the Installer code as described in the Service Manual. Once the control parameters have been accessed, use the NAVIGATION dial to select the parameter "Cascade Address."

Each appliance in the Cascade system must be programmed with its own address. The boiler designated as the Leader will have an address of 0. The remaining boilers in the Cascade will be Members and have addresses from 1 - 7. Rotate the NAVIGATION dial to select the appropriate address. Press the RIGHT SELECT [SAVE] key.

Press the RIGHT SELECT [HOME] key to upload the address into the control. Repeat this procedure for all boilers in the Cascade, designating the Leader and Member boilers.

# 10 Start-up *(continued)*

Figure 10-2 Operating Instructions\_ Models 55 - 285

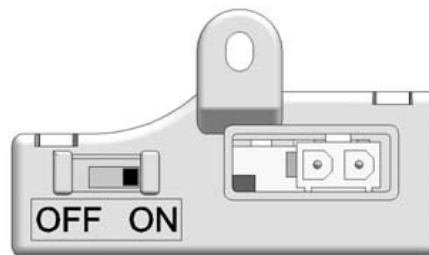
## FOR YOUR SAFETY READ BEFORE OPERATING

**WARNING:** If you do not follow these instructions exactly, a fire or explosion may result causing property damage, personal injury, or loss of life.

- |  |  |
|--|--|
| <p>A. This appliance does not have a pilot. It is equipped with an ignition device which automatically lights the burner. Do <u>not</u> try to light the burner by hand.</p> <p>B. BEFORE OPERATING smell all around the appliance area for gas. Be sure to smell next to the floor because some gas is heavier than air and will settle on the floor.</p> <p><b>WHAT TO DO IF YOU SMELL GAS</b></p> <p>Do not try to light any appliance.</p> <p>Do not touch any electric switch; do not use any phone in your building.</p> | <p>Immediately call your gas supplier from a neighbor's phone. Follow the gas supplier's instructions.</p> <p>If you cannot reach your gas supplier, call the fire department.</p> <p>C. Use only your hand to move the gas control switch. Never use tools. If the switch will not move by hand, don't try to repair it, call a qualified service technician. Force or attempted repair may result in a fire or explosion.</p> <p>D. Do not use this appliance if any part has been under water. Immediately call a qualified service technician to inspect the appliance and to replace any part of the control system and any gas control which has been under water.</p> |
|--|--|

## OPERATING INSTRUCTIONS

- |  |   |
|--|---|
| <ol style="list-style-type: none"> <li>1. <b>STOP!</b> Read the safety information above on this label.</li> <li>2. Set the thermostat to lowest setting.</li> <li>3. Turn off all electric power to the appliance.</li> <li>4. This appliance is equipped with an ignition device which automatically lights the burner. Do not try to light the burner by hand.</li> <li>5. Remove front door.</li> <li>6. Move switch to the "OFF" position.</li> <li>7. Wait five (5) minutes to clear out any gas. If you then smell gas, <b>STOP!</b> Follow "B" in the safety information above this label. If you don't smell gas, go to next step.</li> </ol> | <ol style="list-style-type: none"> <li>8. Move the switch to the "ON" position.</li> <li>9. Install front door.</li> <li>10. Turn on all electric power to appliance.</li> <li>11. Set thermostat to desired setting.</li> <li>12. If the appliance will not operate, follow the instructions "To Turn Off Gas To Appliance" and call your service technician or gas supplier.</li> </ol> |
|--|---|



## TO TURN OFF GAS TO APPLIANCE

- |   |  |
|---|--|
| <ol style="list-style-type: none"> <li>1. Set the thermostat to lowest setting.</li> <li>2. Turn off all electric power to the appliance if service is to be performed.</li> <li>3. Remove front door.</li> </ol> | <ol style="list-style-type: none"> <li>4. Move switch the "OFF" position.</li> <li>5. Install front door.</li> </ol> |
|---|--|

# 10 Start-up

Figure 10-3 Operating Instructions\_ Model 399

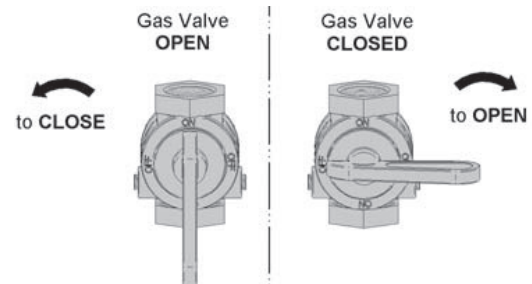
## FOR YOUR SAFETY READ BEFORE OPERATING

**WARNING:** If you do not follow these instructions exactly, a fire or explosion may result causing property damage, personal injury, or loss of life.

- A. This appliance does not have a pilot. It is equipped with an ignition device which automatically lights the burner. Do not try to light the burner by hand.
  - B. BEFORE OPERATING smell all around the appliance area for gas. Be sure to smell next to the floor because some gas is heavier than air and will settle on the floor.
- WHAT TO DO IF YOU SMELL GAS**
- Do not try to light any appliance.
  - Do not touch any electric switch; do not use any phone in your building.
  - Immediately call your gas supplier from a neighbor's phone. Follow the gas supplier's instructions.
  - If you cannot reach your gas supplier, call the fire department.
- C. Use only your hand to turn the gas control knob. Never use tools. If the handle will not turn by hand, don't try to repair it, call a qualified service technician. Force or attempted repair may result in a fire or explosion.
  - D. Do not use this appliance if any part has been under water. Immediately call a qualified service technician to inspect the appliance and to replace any part of the control system and any gas control which has been under water.

## OPERATING INSTRUCTIONS

1. **STOP!** Read the safety information above on this label.
2. Set the thermostat to lowest setting.
3. Turn off all electric power to the appliance.
4. This appliance is equipped with an ignition device which automatically lights the burner. Do not try to light the burner by hand.
5. Remove top cover.
6. Turn gas shutoff valve counterclockwise to "OFF". Handle will be perpendicular to pipe. Do not force.
7. Wait five (5) minutes to clear out any gas. If you then smell gas, **STOP!** Follow "B" in the safety information above this label. If you don't smell gas, go to next step.
8. Turn gas shutoff valve clockwise to "ON". Handle will be parallel to pipe.
9. Install top cover.
10. Turn on all electric power to appliance.
11. Set thermostat to desired setting.
12. If the appliance will not operate, follow the instructions "To Turn Off Gas To Appliance" and call your service technician or gas supplier.



## TO TURN OFF GAS TO APPLIANCE

1. Set the thermostat to lowest setting.
2. Turn off all electric power to the appliance if service is to be performed.
3. Remove top cover.
4. Turn gas shut off valve counterclockwise to "OFF". Handle will be perpendicular to pipe. Do not force.
5. Install top cover.



# 11 Operating information

## General

### How the boiler operates

The Knight Wall Hung Fire Tube boiler uses an advanced stainless steel heat exchanger and electronic control module that allows fully condensing operation. The blower pulls in air and pushes flue products out of the boiler through the heat exchanger and flue piping. The control module regulates blower speed to control the boiler firing rate. The gas valve senses the amount of air flowing into the boiler and allows only the right amount of gas to flow.

### How the control module operates

The SMART SYSTEM control module receives inputs from boiler sensors and external devices. The control module activates and controls the blower and gas valve to regulate heat input and switches the boiler, Domestic Hot Water (DHW), and system pumps on and off as needed. The user programs the module to meet system needs by adjusting control parameters. These parameters set operating temperatures and boiler operating modes. Boiler operation can be based on boiler outlet water temperature, boiler inlet water temperature, system temperature, a 0-10V signal or ModBus or BACnet, depending on the parameter settings.

### Dual memory

After initial start-up, the boiler display will store a backup copy of installer and user parameter settings. If either the display or control module is replaced, the SMART SYSTEM will recognize the parameter settings do not match and show a PARAM MISMATCH prompt on the display. To maintain the control module parameter settings, choose the BACKUP TO DISPLAY option. This will keep the settings currently stored in the boiler control and save them to the display. This option will generally be used after installing a new display. When a new control is installed, the RESTORE FROM DISPLAY option will use the backup settings stored on the existing display.

### Control inputs and outputs

#### Room thermostat

There are three (3) heat/loop demand connections available on this control. These inputs tell the boiler to provide water for space heating. Each demand connection has its own set point and outdoor air reset curve. When multiple demands have a call for heat the control will give priority to the demand with the highest set point.

*Example:* Assume that both heat/loop demand 1 and heat/loop demand 2 have a call for heat. Demand 1 has a set point of 110°F. Demand 2 has a set point of 140°F. The boiler will regulate the system temperature to 140°F until Demand 2 has been satisfied. Once Demand 2 has been satisfied the boiler will provide 110°F water to the system.



**CAUTION** When multiple temperature loops are used, mixing valves are required for the protection of any low temperature loops.

### SMART SYSTEM Multi-temp loop control

The Knight Wall Hung Fire Tube boiler is capable of producing up to three (3) set point temperatures to meet different space heating demands. This device controls the temperatures of up to three (3) separate loops, based on the settings for the three (3) heat/loop demands.

### 0 - 10V input (set point or power)

The Knight Wall Hung Fire Tube boiler can be controlled by a Building Management System (BMS) provided that either an external energy management system is installed that reduces the boiler water temperature as the heating load decreases, the boiler is not used for any space heating, the boiler has an input rate of 300,000 Btu/hr or greater, or the boiler is part of a modular or multiple boiler system having a total input of 300,000 Btu/hr or greater.

The control can be configured by the installer to use a 0 - 10 Vdc signal to either control set point or firing rate.

The Knight Wall Hung Fire Tube boiler can also be programmed to accept a call for heat from a 0 - 10V signal, reference the Knight Wall Hung Fire Tube Boiler Service Manual for a detailed explanation of this procedure.

### DHW priority

The SMART SYSTEM control allows the connection of a DHW thermostat or tank sensor to the low voltage connection board. When a tank sensor is connected, the DHW thermostat input is ignored. When a boiler is programmed for DHW Normal Mode, the maximum firing rate can be limited to match the input rating of the indirect tank coil.

### DHW / space heating (SH) cycling

If a DHW call for heat is received while a space heating call is in progress, and the DHW is in Normal Mode, the control will start the DHW pump and shut the boiler pump off. The system pump will remain on. For stand-alone boilers, if the space heating call is still active while the DHW call is in operation, the control will wait for 30 minutes (time adjustable by installer) then it will switch back to the space heating demand. There is a timer to switch from space heating to DHW and a timer to switch from DHW to space heating. The control will switch back and forth until one of the heat demands end.

### Programmable controlling sensor

The control module is programmed to use the outlet sensor as the control sensor by default. If a system supply sensor is connected, the control automatically uses it as the control sensor. For stand-alone boilers, the control sensor can be changed by the installer to the inlet sensor. If the inlet sensor is chosen as the controlling sensor, it is recommended that the system supply sensor be installed in the system supply in order to provide the best control of the inlet temperature.

# 11 Operating information

## Anti-cycling

After the burner turns off, the control will delay the next burner cycle for a set time period (time is adjustable by the installer). The time delay will be bypassed if the inlet water temperature drops too far during the delay.

## Boiler and system pump control

The boiler pump will run whenever the burner is firing, unless the DHW is programmed for Normal Mode and the boiler is heating the DHW tank. The boiler pump will run during Freeze Protection Mode as well. It will continue to run for a short time after the burner turns off or the Freeze Protection Mode ends.

The system pump will run whenever there is a space heating call for heat, or the boiler goes into Freeze Protection Mode. It may be programmed to run during a DHW call for heat when the DHW is programmed for Zone Mode. It will continue to run for a short time after the end of the heat demand or the Freeze Protection Mode. The system pump can be programmed to run continuously if desired, except during outdoor shutdown and/or a DHW call for heat.

## DHW recirculation pump control

When a DHW recirculation loop is used, the Knight Wall Hung Fire Tube boiler can control the recirculation pump. To activate this function, simply install the DHW recirculation sensor into the return water from the DHW circulation loop. The control will turn on the DHW recirculation pump when the return water drops 10°F (5.5°C) below the DHW tank set point, and will turn back off when the return water rises to within 5°F (2.5°C) of the DHW tank set point. The control will turn the DHW recirculation pump off whenever DHW night setback is active.

## Temperature control

### Modulation

The Knight Wall Hung Fire Tube boiler is capable of modulating its firing rate on 55 models only from a minimum of 15% to a maximum of 100%, and the 85-399 models from a minimum of 10% to a maximum of 100%. The firing rate is dictated by the call for heat (i.e., space heating or domestic hot water), the heating load, ramp delay (if enabled), and various other temperature limitations.

## Ramp delay

For systems with lower flow, the SMART SYSTEM can limit the firing rate (when enabled) when a space heating call for heat starts, or when switching from a DHW call for heat to a space heating call for heat. There are six (6) limits that can be programmed, as well as six (6) time intervals corresponding to each limit. The sixth limit will also limit the firing rate for the rest of the call for heat.

## Gradient limiting

If during operation of the boiler the outlet water temperature is rising too quickly, the control will reduce the firing rate to its lowest setting.

## Outdoor air reset

With the outdoor air sensor connected, the control module will calculate the set points of the three (3) space heating demands based on the programmed reset curves. The installer can change the slope of the reset curves by several adjustable parameters. The user can limit the maximum set point for the system using the space heating set points.

## Boost function

If outdoor air reset is active, and any space heating demand has been active continuously for a set period of time (time adjustable by installer) and there has been no DHW demands, the control will increase the set point of that demand by a fixed number of degrees (adjustable by installer). This process will continue until the space heating demand ends, the set point reaches the programmed set point or a maximum of 20 increases has occurred. Once the system heat demand is satisfied, the set point will revert to the value determined by the reset curve.

## Night setback

The controller may be programmed to reduce the space heating and DHW set points during certain times each week. Seven different start and stop times may be programmed for the space heating setback and seven start and stop times for the DHW setback. Any night setback event scheduled within the next seven (7) days can be temporarily bypassed if desired.

## Vacation mode

Vacation Mode is used to lower the Space Heat (SH) and / or DHW set points much like Night Setback. The set points will remain lowered until Vacation Mode is disabled. Night Setback will not function when Vacation Mode is enabled.

## Flame current support

To prevent nuisance shutdowns when the boiler is firing at minimum rates, the control will increase the firing rate when the flame signal drops too low.

# 11 Operating information *(continued)*

## Protection features

### Outlet temperature, flue temperature, and temperature rise limiting

The outlet temperature is monitored by the boiler outlet temperature sensor. When the outlet temperature exceeds 185°F, the unit will reduce the fan speed. If the outlet water temperature exceeds 195°F the control will shut the unit down until it cools off.

The control module monitors the flue temperature by a sensor located in the flue exhaust. If the flue temperature exceeds 215°F the control will reduce the maximum fan speed. If the flue temperature exceeds 225°F the control will shut the unit down. The unit will restart automatically once the flue temperature drops 25°F and the minimum off time has expired.

The control monitors the temperature difference between the inlet and the outlet sensor. If this difference exceeds 55°F the control will reduce the maximum fan speed. If the temperature difference exceeds 60°F the control will shut the unit down. The unit will restart automatically once the temperature difference has dropped below 55°F and the minimum off time has expired.

The following integral feature of the boiler control module provides some protection for the boiler only -- not for the system.

The boiler control module provides a freeze protection feature with the following attributes:

- Below an inlet temperature of 45°F, the boiler pump operates constantly.
- Below an inlet temperature of 37°F, the burner fires.
- Boiler and pumps turn off if boiler water inlet temperature rises above 45°F.

Neither this feature, the boiler control module, nor the use of glycol, eliminates the possibility of freezing. The installation must still use recognized design, installation, and maintenance practice to prevent freeze potential for the boiler and system.

The Freeze Protection feature will not work if the appliance does not have power, is locked out, is in shutdown mode, had a component failure, or is otherwise prevented from firing.

#### NOTICE

When system return temperatures are maintained below the dew point, condensation will form on the inside of the boiler jacket causing some internal sheet metal components to rust.

## Low voltage blocking

The blower and gas valve require a minimum amount of voltage in order to operate properly. If an ignition attempt is made when the line voltage is temporarily low (such as during a brownout), the control could enter a manual reset lockout. To prevent this, the control monitors the voltage and blocks any heat demands until the voltage returns to an acceptable level.

## Monitor external limits

Connections are provided on the connection board for external limits such as flow switch, low water cutoff, gas pressure switches, and a louver proving switch. The SMART SYSTEM will shut off the burner and inhibit relighting whenever any of these external limits open.

## Run-time and alarm outputs

The boiler provides dry contacts for indicating when the boiler is running, and when it is unable to operate.

## Run-time and cycle counting

The control uses two timers to monitor the total hours of burner operation. One timer monitors the time the boiler is firing in the Space Heating Mode. The other timer monitors the time the boiler is firing in the DHW Mode.

The control uses two (2) ignition counters to monitor the amount of boiler cycles. The first counter counts all ignitions of the control. The second counter counts only ignition attempts that have failed.

## Service reminder

The control can be programmed for service reminder notification. This notification will become active when either a set time frame has expired, or a set amount of running hours or cycles has expired (all adjustable by the installer). The display will show a Maintenance Required screen. The installer's name and phone number can be programmed into the control. This information will appear on the Maintenance Required screen. The service reminder notification can be reset or disabled by the installer.

## Error logging

The control will hold in memory the last 10 lockouts as well as the last 10 blockings. The date and time of the occurrence will be recorded as well. Only the 10 most current occurrences of each will be held in memory.

# 11 Operating information

## Boiler temperature regulation

### Operating temperature (target)

The SMART SYSTEM control module senses water temperature and regulates boiler firing and firing rate to achieve a target temperature. The target temperature can be set between 32°F and 190°F.

- Target temperature is calculated as described in the “*Outdoor Reset Operation*” section, when the outdoor sensor is connected.
- If the outdoor sensor is not connected, the target temperature is fixed at SH (1 - 3) set points. An outdoor sensor fault will remain on the display screen until the outdoor sensor is reconnected.

### High limit operations

The Knight Wall Hung Fire Tube boiler is equipped with adjustable automatic reset and manual reset high limits. The automatic reset high limit has a maximum set point of 200°F and the manual reset high limit has a maximum set point of 210°F.

When the outlet temperature exceeds 200°F, the automatic high limit action occurs. The boiler shuts down until the outlet water temperature cools below 190°F, and a 60 second timer has expired. If the outlet temperature continues to increase, the manual reset high limit action will occur at 210°F.

### High limit test procedure

**NOTICE** The brackets ([ ]) denote screen status.

1. Turn ON the main power to the boiler by placing the ON/OFF switch in the ON position.
2. From the Status Screen, press the NAVIGATION dial to access the Set Points Screen.
3. Press the LEFT SELECT (LIMITS) key.
4. Select the manual reset high limit (MRHL) by rotating the NAVIGATION dial counterclockwise, then press the NAVIGATION dial.
5. Decrease the set point of the MRHL to below the current outlet temperature (or to its minimum setting, whichever is higher) by turning the NAVIGATION dial counterclockwise.
6. Press the RIGHT SELECT [SAVE] key.
7. Press the RIGHT SELECT [HOME] key. The new parameter will upload to the control.
8. If the current outlet temperature is above the new MRHL set point, the MRHL will function causing boiler lockout. If this occurs, skip to Step 11.

9. If the current outlet temperature is below the new MRHL set point, locate the pinhole (SERVICE button) above the RESET button on the display board. Insert a thin probe (such as a paper clip) into the hole and press the button continuously for five (5) seconds to place the boiler into Service Mode. In Service Mode, the boiler will fire at ignition speed and will then modulate up to full fire.
10. Once the outlet temperature rises up to the MRHL set point, the MRHL will function, causing the boiler to shut down and lock out.
11. Repeat Steps 2 - 7 to adjust the MRHL to its normal settings.

### Low water cutoff protection

1. The SMART SYSTEM control module uses temperature sensing of both supply and return areas of the heat exchanger. If the flow rate is too low or the outlet temperature too high, the control module modulates and shuts the boiler down. This ensures boiler shutdown in the event of low water or low flow conditions.
2. Some codes and jurisdiction may accept these integral features of the control in lieu of requiring an additional limit control or low water cutoff. Consult local jurisdiction to determine. A low water cutoff is available from the factory.

## Outdoor reset operation

### Target temperature with outdoor reset

This feature improves the system's efficiency by decreasing set point as the outdoor temperature increases. For boilers with input rates less than 300,000 Btu/hr Energy Efficiency Standards require the use of a control that automatically adjusts set point in relation to heat demand. In the absence of an external energy management system, this feature **MUST BE** used.

See the Knight Wall Hung Fire Tube Boiler Service Manual to change the settings.

### Reset curve

The reset curve looks at outdoor air temperature and adjusts the set point in relation to heat demand.

# 11 Operating information *(continued)*

## Cascade

When multiple boilers are installed, they can be wired together in a cascade sequence. A maximum of eight boilers can be controlled from a single control. In this application one boiler would be designated as the Leader control and all others would be designated as Member controls. Member 1 can be configured to take over control of the Cascade should the Leader stop communicating with the members. The Leader control can be programmed to use Lead/Lag or Efficiency Optimization control methods.

Once the Leader boiler receives a call for heat from a room thermostat, BMS, or ModBus or BACnet, the control will determine what the set point will be. If outdoor air reset is desired, connect the outdoor air sensor to the terminals on the Low Voltage Connection Board on the Leader boiler. The set point will be calculated based on the programmed reset curve parameters. See the Knight Wall Hung Fire Tube Boiler Service Manual to program the reset curve. If outdoor air reset is not desired, do not connect the outdoor air sensor. A fixed temperature set point can be programmed into the control. See page 62 of this manual to program the set point.

If the water temperature at the system supply sensor is less than the set point + the turn-off offset - the off-on differential, then the control will initiate a call for heat on the Cascade (see the Knight Wall Hung Fire Tube Boiler Service Manual for an explanation of the offset and differential). The Leader will energize the lead boiler on the Cascade. For a new startup this will be the Leader boiler.

## Sequence of the cascade

To equalize the run time of all boilers on the Cascade, the firing sequence will automatically be changed at set intervals.

During the first 24 hours of operation, the sequence will change every hour. After that, the sequence will change every 24 hours. The switching on/off sequence will be as follows:

TIME	SWITCHING ON SEQUENCE
Start	L-M1-M2-M3-M4-M5-M6-M7
1 hour	M1-M2-M3-M4-M5-M6-M7-L
2 hours	M2-M3-M4-M5-M6-M7-L-M1

After the first 24 hours, the sequence will change every night at 2:00 a.m. If a boiler locks out or is used to heat an indirect DHW tank, it will automatically be given the lowest priority until 2:00 a.m.

## DHW, Night Setback, and Ramp Delay operation with cascade

For Normal Mode DHW operation any boiler(s) in the Cascade can be selected to provide heat for a DHW call. Select a boiler to be designated as the DHW boiler. Connect the DHW thermostat or sensor to the terminals on the Low Voltage Connection Board marked for the corresponding device. When the boiler receives a DHW call, the Leader control will take that boiler out of the Cascade sequence. If another boiler is available, the Leader will start it up to take its place.

The DHW boiler will adjust its set point to the programmed DHW boiler set point and will adjust its firing rate to maintain this. Once the DHW call has been satisfied, the Leader control will place that boiler back into the Cascade sequence.

Switching of the boiler between DHW operation and SH operation when there is a call for both does not occur in Cascade Mode.

When DHW is programmed for Zone Mode, connect the DHW thermostat or tank sensor to the Leader boiler. When a DHW call is received, the Leader will modulate the entire Cascade to bring the system supply temperature up to the DHW boiler set point (if higher).

Night Setback operation of the boilers within the Cascade is available. Programming of the Night Setback will be done through the Leader boiler. Refer to the Knight Wall Hung Fire Tube Boiler Service Manual for information regarding Night Setback.

Ramp Delay operation of the boilers as described in the Knight Wall Hung Fire Tube Boiler Service Manual is available when the boilers are part of a Cascade system.

# 11 Operating information

## Sequence of operation

OPERATION	DISPLAY
1. Upon a call for heat, the gas pressure switch(es) must be closed.	<p style="text-align: center;"><b>STANDBY</b> </p> <p>SYSTEM <input type="radio"/> DHW TANK <input type="radio"/>                      BOILER <input type="radio"/> DHW CIRC <input type="radio"/>                      SYSTEM: 117°F (118)                      TANK: 124°F (130)                      OUTDOOR: 56°F                      INLET: 109°F                      OUTLET: 124°F                      DHW RECIRC: 115°F</p> <hr/> <p>MENU  SCREEN  SHDN</p>
2. Once the gas pressure switch(es) are closed, the control turns on the appropriate pumps (system and boiler pumps for space heating, DHW pump for DHW). The flow switch and/or LWCO must close.	<p style="text-align: center;"><b>STANDBY</b> </p> <p>SYSTEM <input checked="" type="radio"/> DHW TANK <input type="radio"/>                      BOILER <input checked="" type="radio"/> DHW CIRC <input type="radio"/>                      SYSTEM: 117°F (118)                      TANK: 124°F (130)                      OUTDOOR: 56°F                      INLET: 109°F                      OUTLET: 124°F                      DHW RECIRC: 115°F</p> <hr/> <p>MENU  SCREEN  SHDN</p>
3. The control turns on power to the louver relay. The auxiliary (louver) proving switch and air pressure switch must close.	<p style="text-align: center;"><b>START</b> </p> <p>SYSTEM <input checked="" type="radio"/> DHW TANK <input type="radio"/>                      BOILER <input checked="" type="radio"/> DHW CIRC <input type="radio"/>                      SYSTEM: 117°F (118)                      TANK: 124°F (130)                      OUTDOOR: 56°F                      INLET: 109°F                      OUTLET: 124°F                      DHW RECIRC: 115°F</p> <hr/> <p>MENU  SCREEN  SHDN</p>
4. The control starts the prepurge cycle by initiating the blower.	<p style="text-align: center;"><b>PRE-PURGE</b> </p> <p>SYSTEM <input checked="" type="radio"/> DHW TANK <input type="radio"/>                      BOILER <input checked="" type="radio"/> DHW CIRC <input type="radio"/>                      SYSTEM: 117°F (118)                      TANK: 124°F (130)                      OUTDOOR: 56°F                      INLET: 109°F                      OUTLET: 124°F                      DHW RECIRC: 115°F</p> <hr/> <p>MENU  SCREEN  SHDN</p>
5. The control starts the trial for ignition by firing the spark electrode and opening the gas valve.	<p style="text-align: center;"><b>IGNITION</b> </p> <p>SYSTEM <input checked="" type="radio"/> DHW TANK <input type="radio"/>                      BOILER <input checked="" type="radio"/> DHW CIRC <input type="radio"/>                      SYSTEM: 117°F (118)                      TANK: 124°F (130)                      OUTDOOR: 56°F                      INLET: 109°F                      OUTLET: 124°F                      DHW RECIRC: 115°F</p> <hr/> <p>MENU  SCREEN  SHDN</p>
6. If flame is not detected after the sparking ends, the control will perform a postpurge, then start another prepurge cycle and try to light the burner again. The control will perform a total of 4 attempts before locking out.	<p style="text-align: center;"><b>POST-PURGE</b> </p> <p>SYSTEM <input checked="" type="radio"/> DHW TANK <input type="radio"/>                      BOILER <input checked="" type="radio"/> DHW CIRC <input type="radio"/>                      SYSTEM: 117°F (118)                      TANK: 124°F (130)                      OUTDOOR: 56°F                      INLET: 109°F                      OUTLET: 124°F                      DHW RECIRC: 115°F</p> <hr/> <p>MENU  SCREEN  SHDN</p>

# 11 Operating information *(continued)*

## Sequence of operation *(continued)*

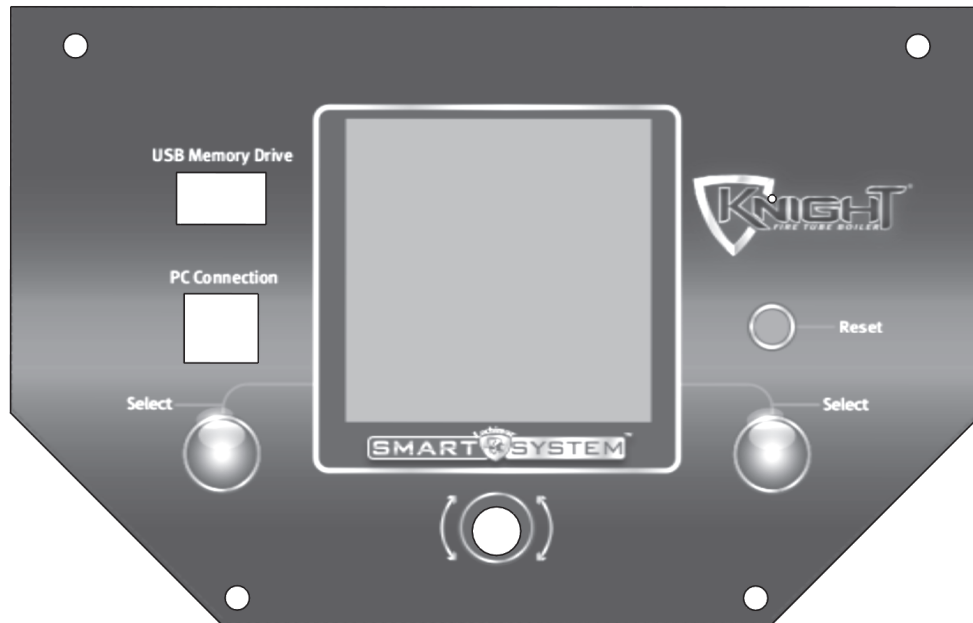
OPERATION	DISPLAY
7. If flame is detected, it holds the firing rate steady for a few seconds to let the flame stabilize, then it begins to modulate the firing rate based on a set point or some other command (such as a 0-10V BMS signal).	<pre>                     41% 🔥 🏠                     SYSTEM 🔘 DHW TANK ○                     BOILER 🔘 DHW CIRC ○                     SYSTEM: 117°F (&lt;118)                     TANK: 124°F (&lt;130)                     OUTDOOR: 56°F                     INLET: 109°F                     OUTLET: 124°F                     DHW RECIRC: 115°F                      MENU ⏏️ SCREEN SHDN                     </pre>
8. If the space heating call for heat is active, and the tank thermostat or sensor starts a DHW call for heat, the boiler will switch to the DHW mode. If programmed for normal DHW operation (not as a zone), the DHW pump will turn on first, then the boiler pump will turn off (boiler and DHW pump operation briefly overlap to ensure flow is maintained through the unit). This will divert the boiler's outlet water from the heating system and send it to the tank coil instead. The control will then modulate to maintain the outlet temperature to the DHW boiler set point.	<pre>                     41% 🔥 1 🏠 🚰                     SYSTEM 🔘 DHW TANK 🔘                     BOILER ○ DHW CIRC ○                     SYSTEM: 117°F (&lt;118)                     TANK: 124°F (&lt;130)                     OUTDOOR: 56°F                     INLET: 109°F                     OUTLET: 124°F                     DHW RECIRC: 115°F                      MENU ⏏️ SCREEN SHDN                     </pre>
9. If the boiler is not part of a Cascade, and both the space heating and DHW calls for heat remain active long enough, the boiler will switch back and forth between the two heating modes until one of them is satisfied.	<pre>                     41% 🔥 🏠 🚰                     SYSTEM 🔘 DHW TANK ○                     BOILER 🔘 DHW CIRC ○                     SYSTEM: 117°F (&lt;118)                     TANK: 124°F (&lt;130)                     OUTDOOR: 56°F                     INLET: 109°F                     OUTLET: 124°F                     DHW RECIRC: 115°F                      MENU ⏏️ SCREEN SHDN                     </pre>
10. Once both calls for heat are satisfied, the control will turn off the burner. The blower will continue to run during the postpurge period.	<pre>                     POST-PURGE                     ANTI-CYCLING                     SYSTEM 🔘 DHW TANK ○                     BOILER 🔘 DHW CIRC ○                     SYSTEM: 117°F (&lt;118)                     TANK: 124°F (&lt;130)                     OUTDOOR: 56°F                     INLET: 109°F                     OUTLET: 124°F                     DHW RECIRC: 115°F                      MENU ⏏️ SCREEN SHDN                     </pre>
11. Any pumps that are running will continue to run for their respective pump delay times before turning off, unless programmed to remain on continuously. A 60 second anti-cycle period will start, which will delay any new call for heat until it times out.	<pre>                     BLOCKED                     ANTI-CYCLING                     SYSTEM 🔘 DHW TANK ○                     BOILER 🔘 DHW CIRC ○                     SYSTEM: 117°F (&lt;118)                     TANK: 124°F (&lt;130)                     OUTDOOR: 56°F                     INLET: 109°F                     OUTLET: 124°F                     DHW RECIRC: 115°F                      MENU ⏏️ SCREEN SHDN                     </pre>
12. In Standby, ready to start a new cycle.	<pre>                     STANDBY                     SYSTEM ○ DHW TANK ○                     BOILER ○ DHW CIRC ○                     SYSTEM: 117°F (&lt;118)                     TANK: 124°F (&lt;130)                     OUTDOOR: 56°F                     INLET: 109°F                     OUTLET: 124°F                     DHW RECIRC: 115°F                      MENU ⏏️ SCREEN SHDN                     </pre>

# 11 Operating information

## Knight Wall Hung Fire Tube boiler control module

Use the control panel (FIG. 11-1) to set temperatures, operating conditions, and monitor boiler operation.

**Figure 11-1** Control Panel



DIR #2000544469 00

The information on the bottom of the display shows the functions of the two SELECT keys (on either corner), and the NAVIGATION dial (in the center):

MENU = Left SELECT Key  
 SETPOINTS = NAVIGATION Dial - Pressing Down  
 SHDN = Right SELECT Key

### Access modes

#### User

The user can adjust space heating and tank target temperatures by pressing the NAVIGATION dial when “↓SETPOINTS” is flashing at the bottom of the display. The date and time, and the temperature units can also be changed (see page 60).

#### Installer

Most parameters are available only to the installer, accessible by entering the installer password, see the Knight Wall Hung Fire Tube Boiler Service Manual.

**Saving parameters** (reference the Parameter Table in the Knight Wall Hung Fire Tube Boiler Service Manual)

### NOTICE

Please note that the brackets ([ ]) denote screen status.

#### To save parameters and exit programming:

Press the RIGHT SELECT [SAVE] key and then press the RIGHT SELECT [HOME] key.

#### To enter a parameter and continue programming:

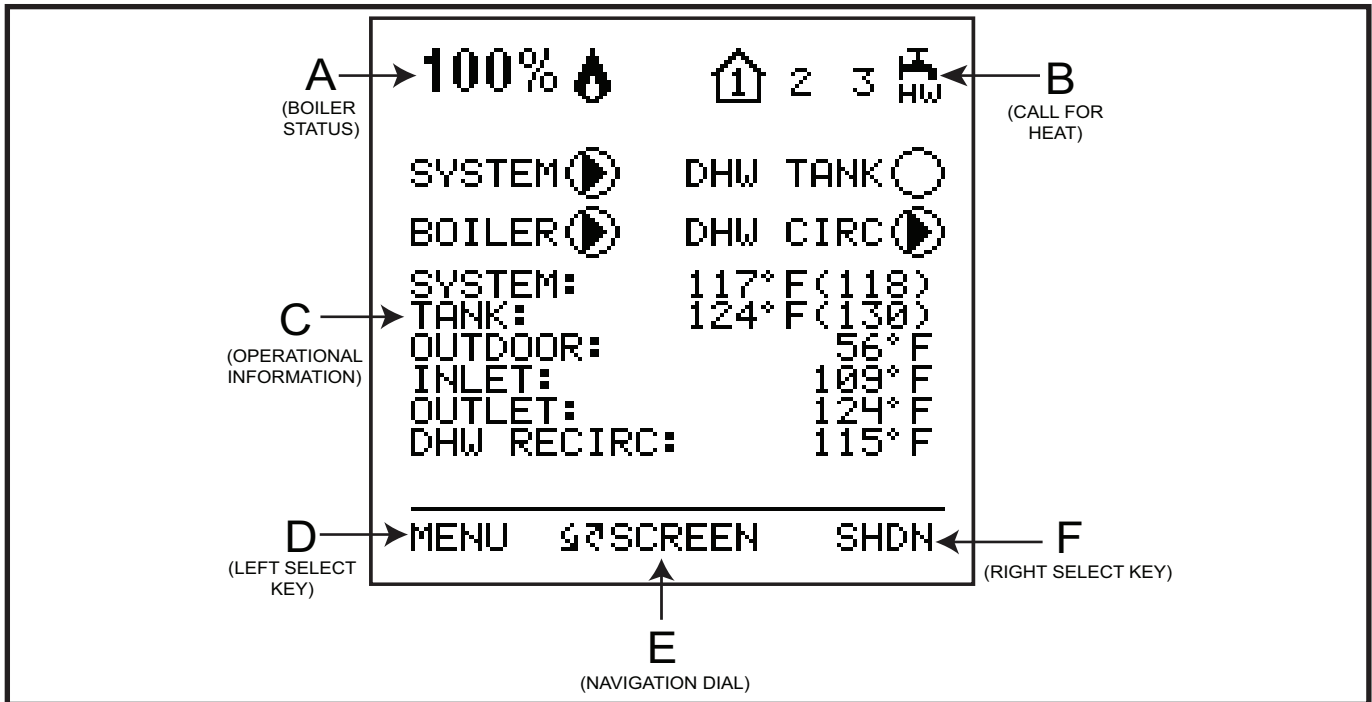
Press the RIGHT SELECT [SAVE] key 1 time to return to the parameter listings; press again to return to the menu listings. Remember to press the RIGHT SELECT [HOME] key when finished programming in order to save the changes made.

See the Knight Wall Hung Fire Tube Boiler Service Manual for a detailed description of parameters and access modes.



# 11 Operating information (continued)

Figure 11-2 Status Display Screen



## Status Display Screens

NOTE: All screens show burner status, heat demands, lockout/blocking, pump status, and soft keys.

Section	Display	Description
<b>A</b> <b>(Boiler Status Bar)</b>	STANDBY	The unit has not received a call for heat from a remote thermostat nor has it received a call for heat from a DHW thermostat.
	START	The unit has begun a burn cycle and is checking all safety circuits.
	PREPURGE	The unit has initiated a prepurge period on a call for heat.
	IGNITION	The unit has begun a spark period to ignite the main burner.
	%	The unit has fired and is running at the displayed percentage.
	POSTPURGE	The call for heat has been satisfied and the unit runs the fan for an additional postpurge period to clear the combustion chamber and vent system of residual flue products.
	SHUTDOWN	The unit has been placed in the OFF position.
	SETPOINT MET	The controlled temperature has exceeded its set point and its offset.
	BLOCKED	The unit has detected a condition that has temporarily interrupted the current call for heat.
<b>B</b> <b>(Call for Heat Indicators)</b>	1	Room Thermostat 1 has a call for heat.
	2	Room Thermostat 2 has a call for heat.
	3	Room Thermostat 3 has a call for heat.
		The tank thermostat or sensor has a call for heat.
		Indicates which room thermostat demand has priority.
		The unit is being controlled by a 0 - 10V BMS signal.
		The member unit is supplying heat while in Cascade Mode.

# 11 Operating information

## Status Display Screens (cont'd)

NOTE: All screens show burner status, heat demands, lockout/blocking, pump status, and soft keys.

Section	Display	Description
<b>C</b> <b>(Operational Information)</b>	DETAILS SCREEN 1	a. SYSTEM TEMP b. TANK TEMP c. OUTDOOR TEMP d. INLET TEMP e. OUTLET TEMP f. DHW RECIRC TEMP - The temperature read by the DHW recirculation sensor (if connected).
	DETAILS SCREEN 2	a. DELTA T b. FLUE TEMP c. FLAME CURRENT d. FAN SPEED e. LOOP 1 TEMP - The temperature of Loop 1 reported by the MTLC control. f. LOOP 2 TEMP - The temperature of Loop 2 reported by the MTLC control. g. LOOP 3 TEMP - The temperature of Loop 3 reported by the MTLC control.
	I/O SCREEN	a. GAS PRESS SW - The state of the gas pressure switch. b. FLOW SW - The state of the flow switch. c. LOUVER RELAY - The state of the louver relay output. d. AUX CONTACT - The state of the auxiliary equipment or louver proving switch. e. BLOCKED DRAIN - The state of the blocked drain switch. f. GAS VALVE - The state of the gas valve output.
	BMS SCREEN	a. 0 - 10V BMS IN b. 0 - 10V RATE OUT c. BMS ADDRESS d. BMS CONTROL e. SYS PUMP SPEED f. BLR PUMP OUT
	HISTORY SCREEN	a. SH RUN TIME - Total time running for Space Heat (SH). b. SH CYCLES - Total Space Heat (SH) demand cycles. c. DHW RUN TIME - Total time running for DHW. d. DHW CYCLES - Total DHW demand cycles. e. POWER TIME - Total time powered ON. f. IGNITIONS - Total number of successful ignitions. g. IGN ATTEMPTS - Total number of ignition attempts.
	LAST 10 FAULTS	a. FAULT NO. b. FAULT c. DATE d. TIME

# 11 Operating information *(continued)*

Status Display Screens <i>(cont'd)</i> NOTE: All screens show burner status, heat demands, lockout/blocking, pump status, and soft keys.		
Section	Display	Description
<b>C</b> (Operational Information cont.)	CASCADE STATUS	a. CASCADE STATUS b. CASCADE POWER c. PRESENT
	NIGHT SETBACK	a. TRIGGER 1 - Next Space Heat (SH) night setback trigger. b. TRIGGER 2 - Next DHW night setback trigger.
<b>D</b> (LEFT SELECT key function)	USB	Press the LEFT SELECT key to access the USB and Installer menu.
<b>E</b> (NAVIGATION dial function)	MODIFY	Pressing the NAVIGATION dial will allow the installer to change the text.
<b>F</b> (RIGHT SELECT key function)	SHDN	Press the RIGHT SELECT key to turn the boiler OFF.
	ON	Press the RIGHT SELECT key to turn the boiler ON.
	NO	Press the RIGHT SELECT key to cancel the shutdown operation.
	SAVE	Press the RIGHT SELECT key to save the current change.
	HOME	Press the RIGHT SELECT key to return to the Status Screen and upload parameter changes.

# 12 Maintenance

## Maintenance and annual startup

Table 12A Service and Maintenance Schedules

Service technician (see the following pages for instructions)		Owner maintenance (see the Knight Wall Hung Fire Tube User's Information Manual for instructions)	
ANNUAL START-UP	<b>General:</b>	Daily	<ul style="list-style-type: none"> <li>• Check boiler area</li> <li>• Check pressure / temperature gauge</li> </ul>
	<ul style="list-style-type: none"> <li>• Address reported problems</li> <li>• Inspect interior; clean and vacuum if necessary;</li> <li>• Clean condensate trap and fill with fresh water</li> <li>• Check for leaks (water, gas, flue, condensate)</li> <li>• Verify flue and air lines in good condition and sealed tight</li> <li>• Check system water pressure/system piping/expansion tank</li> <li>• Check fill water meter</li> <li>• Test boiler water. When test indicates, clean system water with approved system restorer following manufacturer's information</li> <li>• Check control settings</li> <li>• Check ignition and flame sense electrodes (sand off any deposits; clean and reposition)</li> <li>• Check wiring and connections</li> <li>• Perform combustion start-up checkout and performance verification per Section 10 of this manual (CO levels shall be less than 200 ppm).</li> <li>• Flame inspection (stable, uniform)</li> <li>• Flame signal (at least 10 microamps at high fire)</li> <li>• Clean the heat exchanger if flue temperature is more than 54°F above return water temperature</li> <li>• Check venturi flapper for free motion.</li> </ul>	Monthly	<ul style="list-style-type: none"> <li>• Check vent piping</li> <li>• Check air piping</li> <li>• Check air and vent termination screens</li> <li>• Check relief valve</li> <li>• Check condensate drain system</li> <li>• Check air vents</li> </ul>
	<p><b>If combustion or performance indicate need:</b></p> <ul style="list-style-type: none"> <li>• Clean heat exchanger</li> <li>• Remove and clean burner using compressed air only</li> <li>• Clean the blower wheel</li> </ul>	Periodically	<ul style="list-style-type: none"> <li>• Test low water cutoff (if used)</li> <li>• Reset button (low water cutoff)</li> </ul>
		Every 6 months	<ul style="list-style-type: none"> <li>• Check boiler piping (gas and water) for leaks</li> <li>• Operate relief valve</li> </ul>
		End of season months	<ul style="list-style-type: none"> <li>• Shut boiler down (unless boiler used for domestic hot water)</li> </ul>

# 12 Maintenance *(continued)*

**⚠ DANGER** If this boiler may be frozen, immediately shut off power and gas to the appliance and contact the factory for further instructions. Operation when the heat exchanger, internal pipes, or pressure relief valves are frozen, will result in internal pressure build-up and a deadly steam explosion. Neither the Freeze Protection feature of the boiler control module nor the use of glycol eliminates the possibility of freezing.

**⚠ WARNING** Follow the service and maintenance procedures given throughout this manual and in component literature shipped with the boiler. Failure to perform the service and maintenance could result in damage to the boiler or system. Failure to follow the directions in this manual and component literature could result in severe personal injury, death, or substantial property damage.

**⚠ WARNING** The boiler should be inspected annually only by a qualified service technician. In addition, the maintenance and care of the boiler designated in Table 12A and explained on the following pages must be performed to assure maximum boiler efficiency and reliability. Failure to service and maintain the boiler and system could result in equipment failure.

**⚠ WARNING** Electrical shock hazard – Turn off power to the boiler before any service operation on the boiler except as noted otherwise in this instruction manual. Failure to turn off electrical power could result in electrical shock, causing severe personal injury or death.

## Address reported problems

1. Inspect any problems reported by the owner and correct before proceeding.

## Inspect boiler area

1. Verify that boiler area is free of any combustible materials, gasoline and other flammable vapors and liquids.
2. Verify that air intake area is free of any of the contaminants listed in Section 1 of this manual. If any of these are present in the boiler intake air vicinity, they must be removed. If they cannot be removed, reinstall the air and vent lines per this manual and the Knight Wall Hung Fire Tube Boiler Service Manual.

## Inspect boiler interior

1. Remove the front access cover and inspect the interior of the boiler.
2. Vacuum any sediment from inside the boiler and components. Remove any obstructions.

## Clean condensate trap

1. Inspect the condensate drain line, condensate PVC fittings, and condensate trap.

## Inspect condensate trap

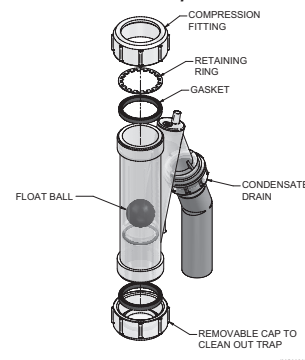
### Monthly inspection:

1. The condensate trap should be inspected monthly to ensure the trap is properly installed and connected to the condensate pipe under the boiler, see FIG. 12-1.
2. The condensate line should be inspected monthly for obstructions, making sure it allows free flow for condensate to drain.
3. Inspect the neutralizing kit (if installed) monthly to ensure the condensate is draining properly, and there is still an adequate amount of neutralizing agent available.

### Annual cleaning:

1. The condensate trap should be cleaned at least once annually, or at the end of each heating season, by removing the bottom cap and cleaning out any sediment that exists.
2. The provided condensate trap is equipped with a ball that acts as a seal against harmful flue gases escaping in case there is no condensate in the trap. If this ball is not present, flue gases may be able to pass through the trap when there is no condensate present, resulting in an unsafe environment. It is important to check and make sure the ball is still located in the trap, acting as a seal against flue gases at least once annually and after every cleaning.
3. After the condensate trap is cleaned or serviced, it must be checked to ensure that it is installed and draining properly. Reference Section 9 - Condensate Disposal for installation instructions.

Figure 12-1 Condensate Trap



## Check all piping for leaks

**⚠ WARNING** Eliminate all system or boiler leaks. Continual fresh makeup water will reduce boiler life. Minerals can build up in sections, reducing heat transfer, overheating heat exchanger, and causing heat exchanger failure. Leaking water may also cause severe property damage.

1. Inspect all water and gas piping and verify to be leak free.
2. Look for signs of leaking lines and correct any problems found.
3. Check gas line using the procedure found in Section 7 - Gas Connections.

# 12 Maintenance

## Flue vent system and air piping

1. Visually inspect the entire flue gas venting system and air piping for blockage, deterioration or leakage. Repair any joints that show signs of leakage. Verify that air inlet pipe is connected and properly sealed.
2. Verify that boiler vent discharge and air intake are clean and free of obstructions.
3. Verify the venturi is freely moving and does not have any sticky residue on the flapper. If necessary, clean surface with a non-abrasive bristle brush and alcohol; make sure to remove any excess alcohol before reinstalling.

**WARNING** Failure to inspect for the above conditions and have them repaired can result in severe personal injury or death.

## Check water system

1. Verify all system components are correctly installed and operational.
2. Check the cold fill pressure for the system. Verify it is correct (must be a minimum of 12 psi).
3. Watch the system pressure as the boiler heats up (during testing) to ensure pressure does not rise too high. Excessive pressure rise indicates expansion tank sizing or performance problem.
4. Inspect automatic air vents and air separators. Remove air vent caps and briefly press push valve to flush vent. Replace caps. Make sure vents do not leak. Replace any leaking vents.

## Check expansion tank

1. Expansion tanks provide space for water to move in and out as the heating system water expands due to temperature increase or contracts as the water cools. Tanks may be open, closed or diaphragm or bladder type. See Section 6 - Hydronic Piping for suggested best location of expansion tanks and air eliminators.

## Check fill water meter

1. Check fill water meter for water usage. If the amount exceeds 5% of your system volume, you could have a leak. Have the system checked for leaks and fixed by a qualified service technician.

## Test boiler water

1. Test boiler water. Reference the Knight Wall Hung Fire Tube Installation and Operation Manual for guidelines. When test indicates, clean system water with approved system restorer following the manufacturer's information.

## Check boiler relief valve

1. Inspect the relief valve and lift the lever to verify flow. Before operating any relief valve, ensure that it is piped with its discharge in a safe area to avoid severe scald potential. Read Section 6 - Hydronic Piping before proceeding further.

**WARNING** Safety relief valves should be re-inspected AT LEAST ONCE EVERY THREE YEARS, by a licensed plumbing contractor or authorized inspection agency, to ensure that the product has not been affected by corrosive water conditions and to ensure that the valve and discharge line have not been altered or tampered with illegally. Certain naturally occurring conditions may corrode the valve or its components over time, rendering the valve inoperative. Such conditions are not detectable unless the valve and its components are physically removed and inspected. This inspection must only be conducted by a plumbing contractor or authorized inspection agency – not by the owner. Failure to re-inspect the boiler relief valve as directed could result in unsafe pressure buildup, which can result in severe personal injury, death, or substantial property damage.

**WARNING** Following installation, the valve lever must be operated AT LEAST ONCE A YEAR to ensure that waterways are clear. Certain naturally occurring mineral deposits may adhere to the valve, rendering it inoperative. When manually operating the lever, water will discharge and precautions must be taken to avoid contact with hot water and to avoid water damage. Before operating lever, check to see that a discharge line is connected to this valve directing the flow of hot water from the valve to a proper place of disposal. Otherwise severe personal injury may result. If no water flows, valve is inoperative. Shut down the boiler until a new relief valve has been installed.

2. After following the above warning directions, if the relief valve weeps or will not seat properly, replace the relief valve. Ensure that the reason for relief valve weeping is the valve and not over-pressurization of the system due to expansion tank waterlogging or undersizing.

# 12 Maintenance *(continued)*

## Inspect ignition and flame sense electrodes

1. Remove the ignition and flame sense electrodes from the boiler heat exchanger access cover.
2. Remove any deposits accumulated on the ignition/flame sense electrode using sandpaper. If the electrodes cannot be cleaned satisfactorily, replace with new ones.
3. Replace ignition/flame sense electrode, making sure gasket is in good condition and correctly positioned.

## Check ignition ground wiring

1. Inspect boiler ground wire from the heat exchanger access cover to ground terminal strip.
2. Verify all wiring is in good condition and securely attached.
3. Check ground continuity of wiring using continuity meter.
4. Replace ground wires if ground continuity is not satisfactory.

## Check all boiler wiring

1. Inspect all boiler wiring, making sure wires are in good condition and securely attached.

## Check control settings

1. Set the SMART SYSTEM control module display to Parameter Mode and check all settings. See Section 1 of Knight Wall Hung Fire Tube Boiler Service Manual. Adjust settings if necessary. See Section 1 of the Knight Wall Hung Fire Tube Boiler Service Manual for adjustment procedures.
2. Check settings of external limit controls (if any) and adjust if necessary.

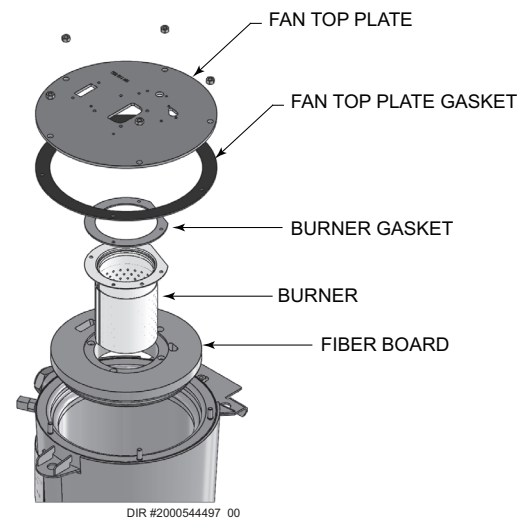
## Perform start-up and checks

1. Start boiler and perform checks and tests specified in Section 10 - Start-up.
2. Verify cold fill pressure is correct and that operating pressure does not go too high.

## Check burner flame

1. Inspect flame through observation window.
2. If the flame is unsatisfactory at either high fire or low fire, turn off boiler and allow boiler to cool down. Remove the burner and clean it thoroughly using a vacuum cleaner or compressed air. Do not use compressed air to clean burner if performed inside a building.
3. Remove the burner, reference FIG. 12-2 below.
4. When replacing the burner, ensure gasket is in good condition and positioned correctly (FIG. 12-2).

**Figure 12-2 Burner Assembly**



## Check flame signal

1. At high fire the flame signal shown on the display should be at least 10 microamps.
2. A lower flame signal may indicate a fouled or damaged flame sense electrode. If cleaning the flame sense electrode does not improve, ground wiring is in good condition, and ground continuity is satisfactory, replace the flame sense electrode.
3. See Section 3 - Troubleshooting of the Knight Wall Hung Fire Tube Boiler Service Manual for other procedures to deal with low flame signal.

# 12 Maintenance

## Review with owner

1. Review the Knight Wall Hung Fire Tube Boiler User's Information Manual with the owner.
2. Emphasize the need to perform the maintenance schedule specified in the Knight Wall Hung Fire Tube Boiler User's Information Manual (and in this manual as well).
3. Remind the owner of the need to call a licensed contractor should the boiler or system exhibit any unusual behavior.
4. Remind the owner to follow the proper shutdown procedure and to schedule an annual start-up at the beginning of the next heating season.

## Cleaning boiler heat exchanger

1. Shut down boiler:
  - Follow the "To Turn Off Gas to Appliance" instructions for the boiler in Section 10 - Startup.
  - Do not drain the boiler unless it will be exposed to freezing temperatures. If using freeze prevention fluids in the system, do not drain.
2. Allow time for the boiler to cool to room temperature if it has been firing.
3. Remove the front access panel (no tools required for removal). Use a Phillips head screwdriver to remove the top access panel.
4. Remove the wiring from the ignitor, flame rod, and the fan. Remove the reference tubing from the air intake.
5. Loosen the band clamp on the air intake coupling using a field provided 5/16" driver and disconnect the air inlet from the venturi.
6. On Models 55 - 285 loosen the threaded nut on the venturi. Remove the gasket between the gas piping and venturi. On the 399 model disconnect the Molex plug from the gas valve. Using a 5 mm Allen wrench, remove the screws securing the gas pipe to the gas valve.
7. Remove the 10 mm nuts securing the heat exchanger top plate to gain access to the heat exchanger and set aside.



The boiler contains ceramic fiber materials. Use care when handling these materials per instructions in the Service Manual. Failure to comply could result in severe personal injury.

8. Remove the condensate trap from the bottom of the boiler. Place a bucket underneath the condensate fitting attached to the heat exchanger.
9. Use a vacuum cleaner to remove any accumulation on the boiler heating surfaces. Do not use any solvent.
10. Using a clean cloth dampened with warm water, wipe out the combustion chamber. Rinse out debris with a low pressure water supply.
11. Allow the heat exchanger to thoroughly dry.
12. Reassemble the unit in reverse order of component removal, and re-install the condensate hose.



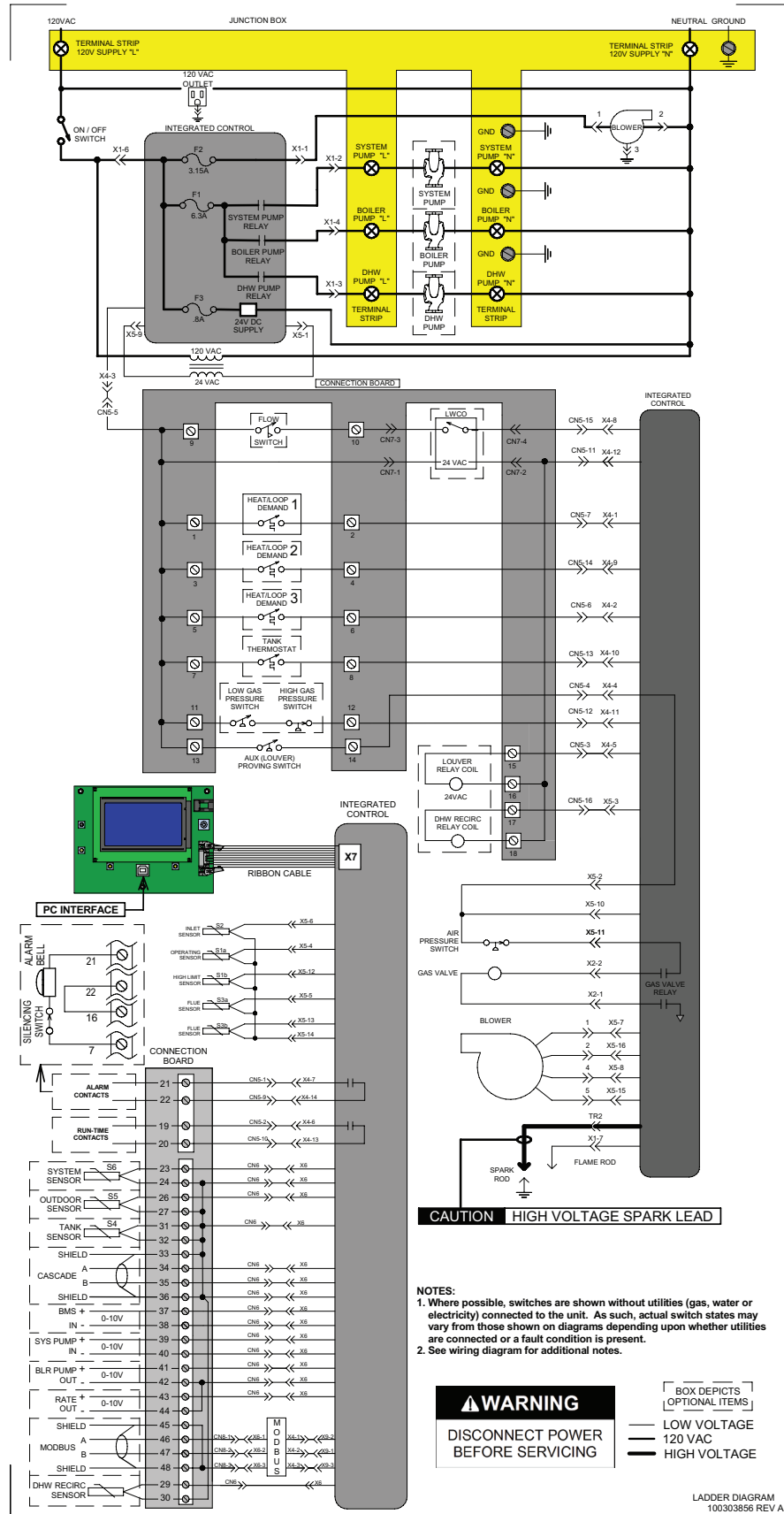
Damaged gaskets and seals in the system can result in substantial property damage. Ensure that damaged or torn gaskets are replaced.

13. Perform a combustion analysis by following the instructions in Section 10 - Startup - Check Flame and Combustion of this manual.
14. Resume operation.



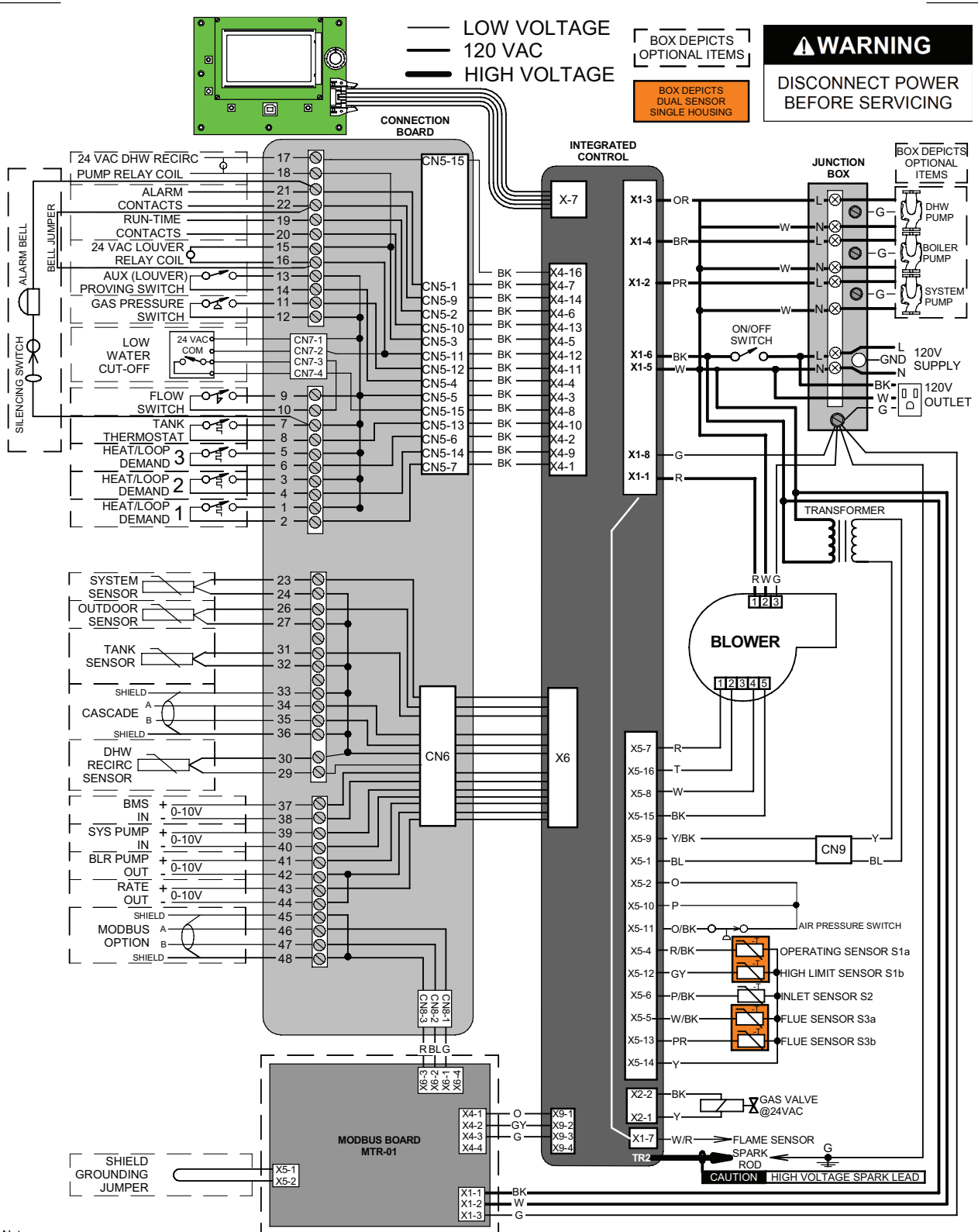
# 13 Diagrams

Figure 13-1 Ladder Diagram



# 13 Diagrams *(continued)*

Figure 13-2 Wiring Diagram



**Notes:**

- All wiring must be installed in accordance with: local, state, provincial and national code requirements per either N.E.C. in USA or C.S.A. in Canada.
- If any original equipment wire as supplied with the appliance must be replaced, it must be replaced with wire having same wire gauge (AWG) and rated for a minimum of 105°C. Exceptions: Replacement high voltage spark lead and ribbon cables must be purchased from the factory. Use of a non-approved spark lead or ribbon cables can lead to operational problems which could result in non-repairable damage to the integrated controller or other components.
- Actual connector block locations may vary from those shown on diagrams. Refer to actual components for proper connector block locations when using diagrams to troubleshoot unit.

WIRING DIAGRAM  
100303855 REV A

---

# Notes

**Revision Notes:** *Revision A (Process #3000024795 / CN #5000) initial release.*

*Revision B (PCP #3000029701 / CN #500019368) reflects the addition of factory supplied pump wiring information on pages 35 and 52.*

*Revision C (PCP #3000031710 / CN #500020789) reflects an update to the ratings table on page 6.*

*Revision D (PCP #3000034301 / CN #500022975) reflects the addition of the sidewall snorkel image in the Venting section.*

*Revision E (PCP #3000041012 / CN #500028988) reflects flue grommet updates on pages 61 and 76 along with the Centrotherm updates on page 18.*

*Revision F (PCP #3000042716 / CN #500030589) reflects freeze protection updates along with PVC purge as well as venturi cleaning and troubleshooting additions.*

*Revision G (PCP #3000049060 / CN #500036184) reflects changes throughout the manual showing the addition of model 399 to certain criteria.*

*Revision H (PCP #3000051638 / CN #500038659) reflects changes to table 3D on page 18.*