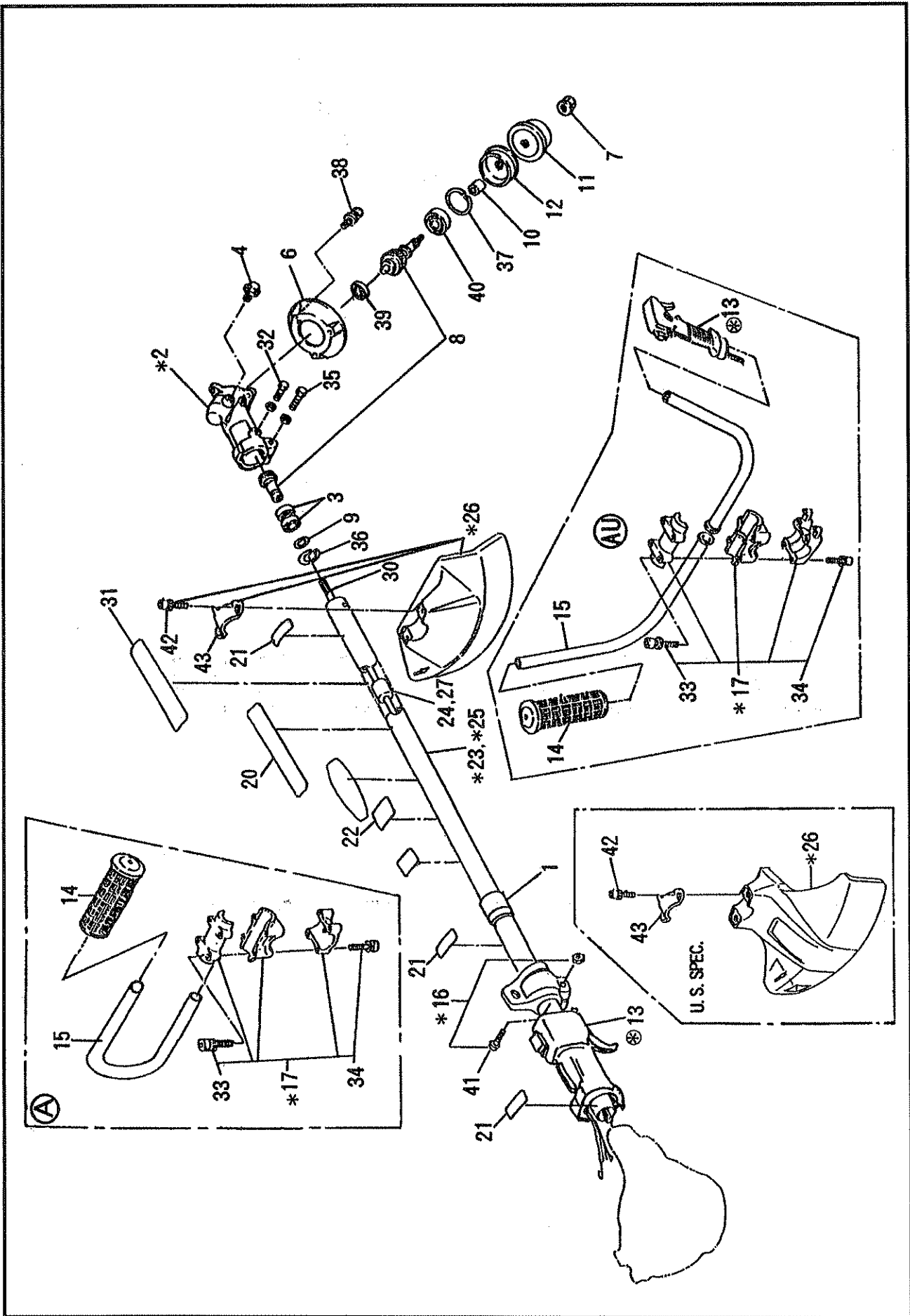




**BRUSH CUTTER**

**MODEL NB281-321(A,AU)  
(U.S. SPEC.)**

**PARTS MANUAL**

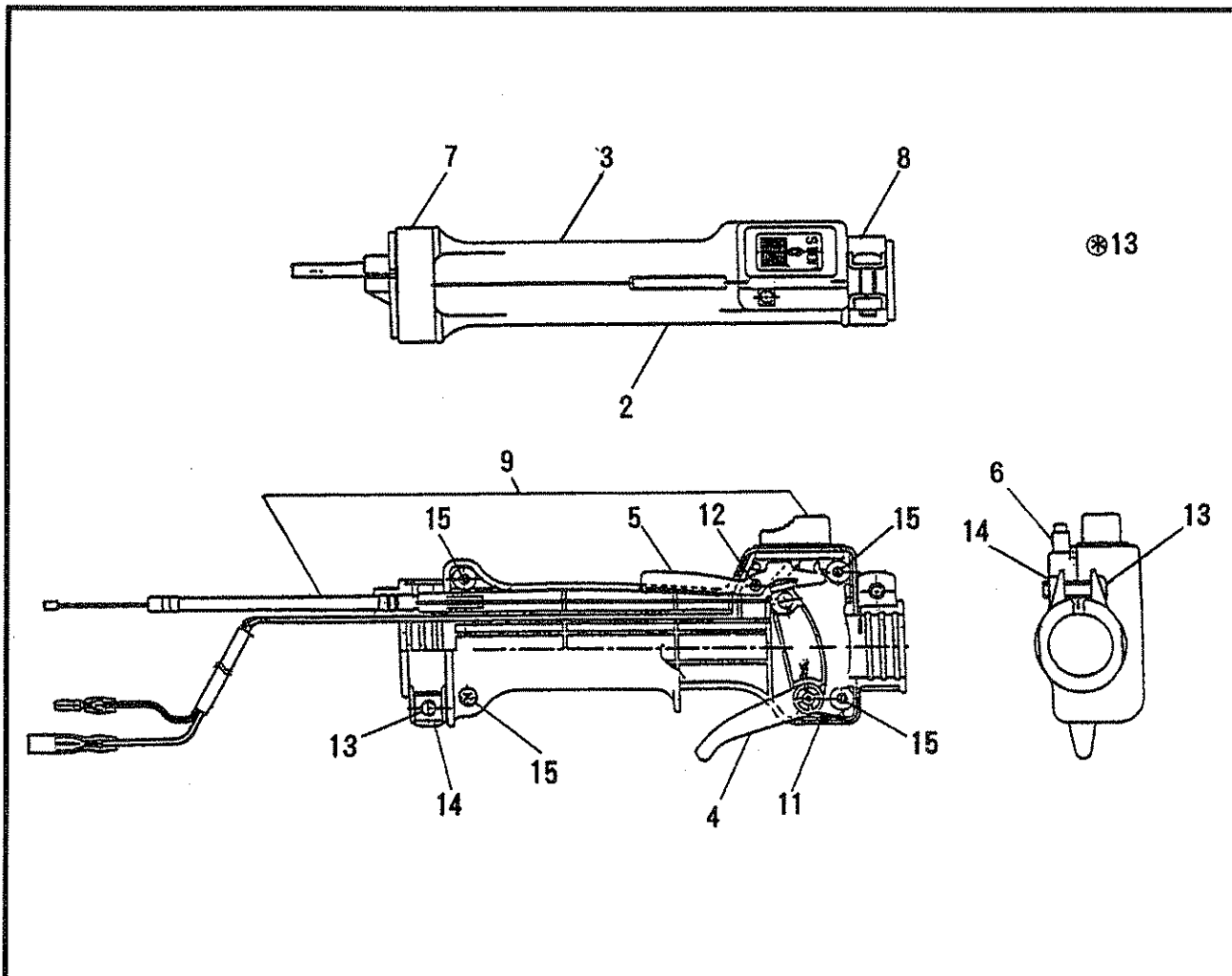


## MACHINE BODY

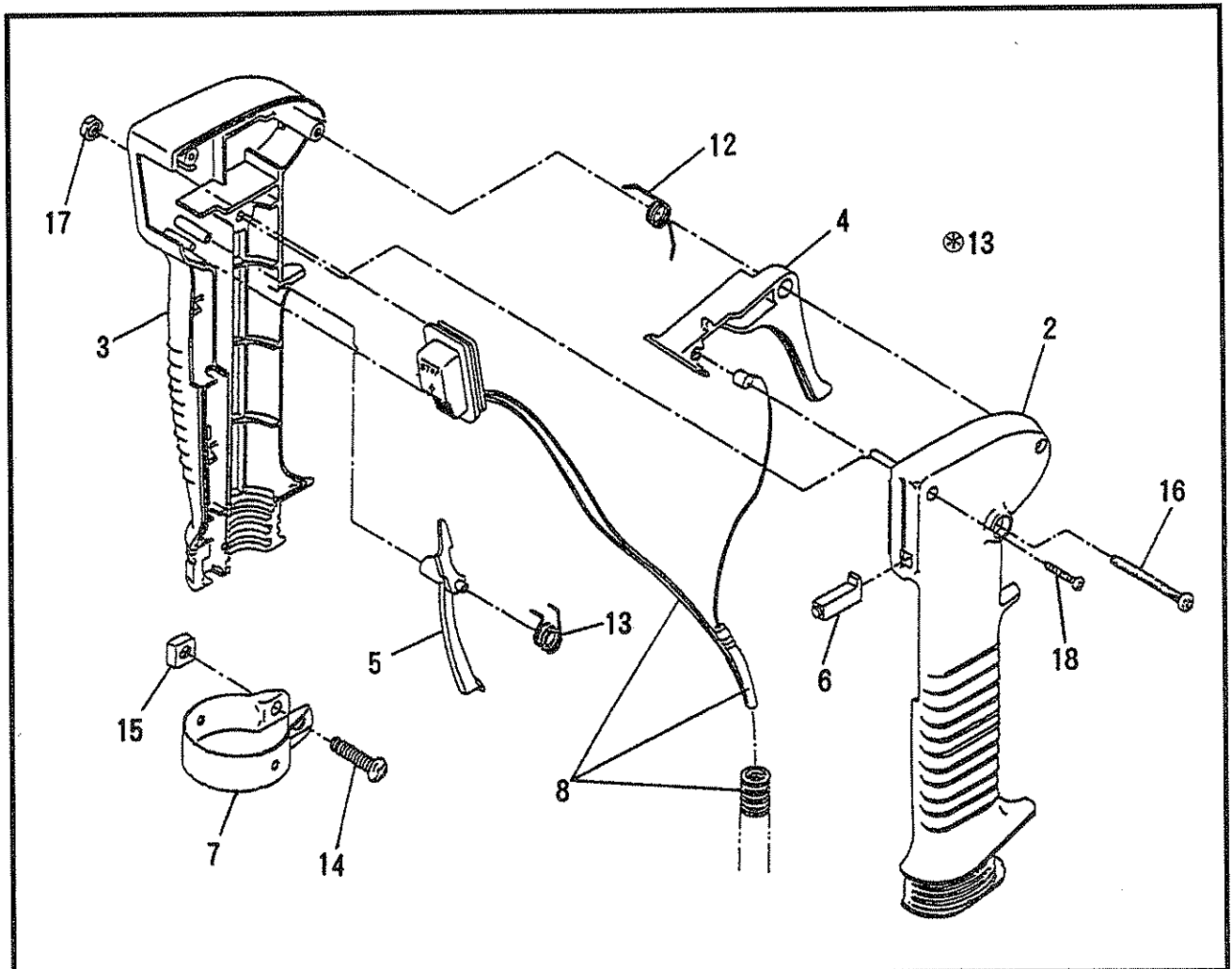
## NB281-321 PARTS LIST

(U.S. SPEC.)

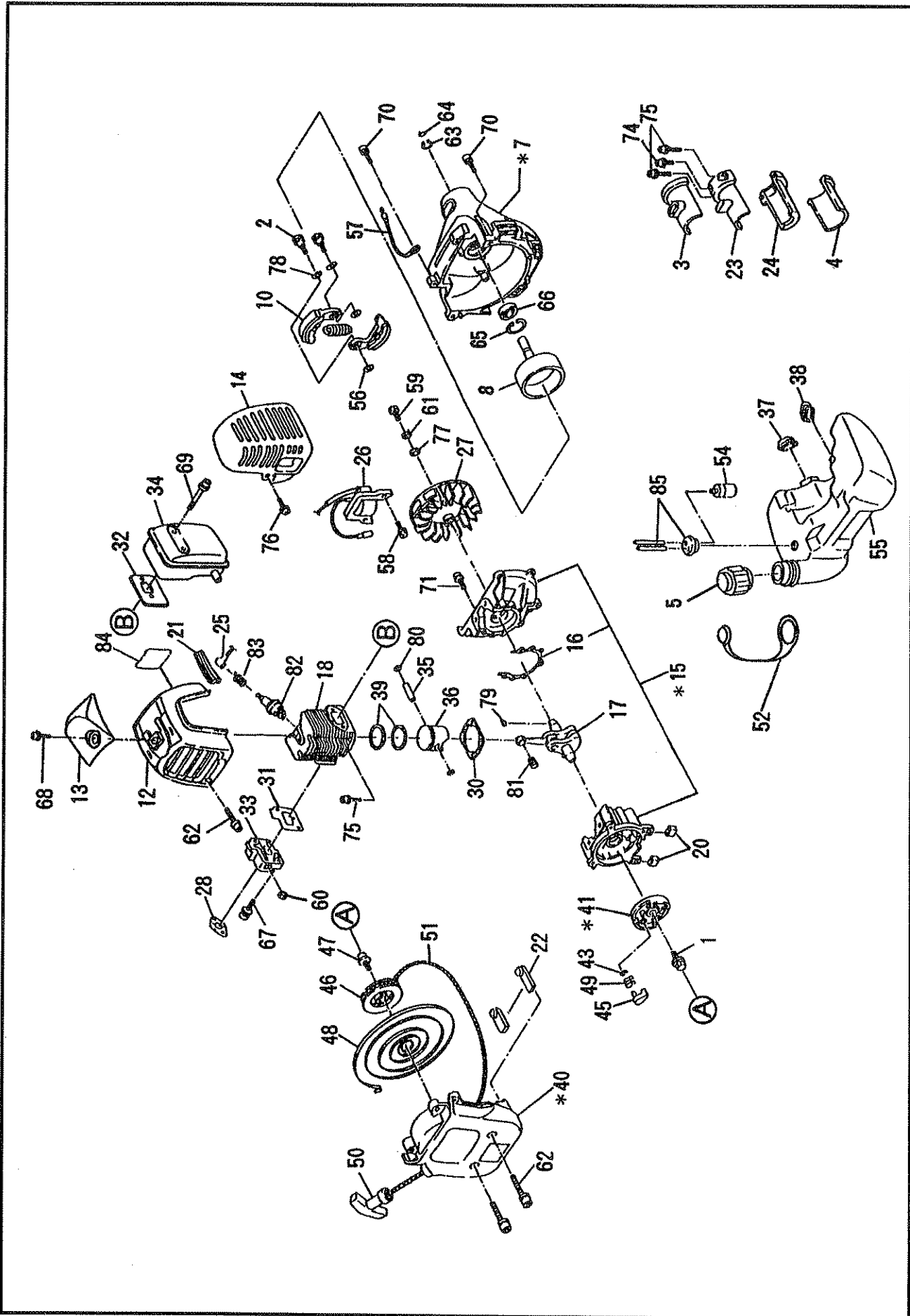
KEY NO.	PART NO.	QUANTITY				DESCRIPTION	OUR PART NO.
		281AU	281A	321AU	321A		
1	625 45013 00-1	1	-	1	-	Bush	6021
* 2	627 30010 04	1	1	1	1	Case, gear unit (incl.3-12, 32-40)	6702
3	621 25003 00	2	2	2	2	Ball Bearing (#609ZZ)	6176
4	641 35006 00-1	1	1	1	1	Bolt, oil	3022
6	641 85002 00-1	1	1	1	1	Guard	6285
7	625 85050 00	1	1	1	1	Nut	7312
8	627 30030 00	1	1	1	1	Shaft, cutter set	6703
9	625 35026 00	1	1	1	1	Snapping, outer	6711
10	625 35013 00	1	1	1	1	Spacer	8024
11	625 85000 01	1	1	1	1	Washer, clamp	8028
12	625 85036 00	1	1	1	1	Washer, receive	6712
⊗ 13	625 50590 00	1	-	1	-	Control lever ass'y	6022
⊗ 13	627 50010 00	-	1	-	1	Control lever ass'y	6704
14	630 45010 00	1	-	1	-	Grip	6247
14	625 45000 00	-	1	-	1	Grip	8037
15	627 45001 00	2	-	2	-	Handle	6023
15	616 45004 01	-	1	-	1	Handle	6770
* 16	625 40230 00	1	1	1	1	Hanger ass'y (incl. 41 )	5437
* 17	641 40050 00	1	-	1	-	Holder, handle ass'y (incl. 33,34)	6717
* 17	625 40070 01	-	1	-	1	Holder, handle ass'y (incl. 33,34)	8034
20	621 95195 01	1	1	1	1	Label, caution	3015
21	625 95147 00	3	3	3	3	Label, caution	5434
22	621 95237 00	1	-	1	-	Label, model	6024
22	621 95236 00	-	1	-	1	Label, model	6707
* 23	627 10020 01	-	-	1	1	Pipe, shaft compl. (incl. 24)	6025
24	620 10070 00	-	-	5	5	Bush compl.	6602
* 25	627 10010 01	1	1	-	-	Pipe, shaft compl. (incl. 27)	6720
* 26	621 80080 03	1	1	1	1	Protector ass'y (incl. 42,43)	8100
27	625 10070 00	5	5	-	-	Bush Compl.	8001
30	627 15008 00	1	1	1	1	Shaft	6724
31	640 95080 00	1	1	1	1	Label, model (U. S. SPEC.)	6026
32	00113 0612 0	1	1	1	1	Bolt ass'y	7019
33	0119 05984 0	4	4	4	4	Socket head bolt (M5 X 25 SW)	6267
34	0119 05989 0	4	4	4	4	Socket head bolt (M5X25 SW)	6268
35	00113 0630 0	1	1	1	1	Bolt ass'y	8044
36	00314 2400 0	1	1	1	1	Snapping, inner	1187
37	00314 3000 0	1	1	1	1	Snapping, inner	1188
38	0119 05978 0	3	3	3	3	Socket head bolt (M5X12 W SW)	6128
39	0600 07999 0	1	1	1	1	Ball bearing (#627ZZ)	1161
40	0600 10997 0	1	1	1	1	Ball bearing (#6200DD)	8019
41	00436 0520 0	1	1	1	1	Screw ass'y	3617
42	00117 0630 0	2	2	2	2	Bolt (M6 x 30)	5440
43	641 85003 03	1	1	1	1	Clamp, protector	6283



KEY NO.	PART NO.	QUANTITY				DESCRIPTION	OUR PART NO.
		281AU	281A	321AU	321A		
⊗ 13	627 50010 00	-	1	-	1	Control lever ass'y (incl.2-15)	6027
2	625 50270 10	-	1	-	1	Case (1)	6028
3	625 50270 20	-	1	-	1	Case (2)	6029
4	625 50270 30	-	1	-	1	Lever	5464
5	625 50270 40	-	1	-	1	Lever	5465
6	641 50110 50	-	1	-	1	Stopper	6751
7	641 50110 60	-	1	-	1	Bracket	6752
8	625 50270 50	-	1	-	1	Bracket	5466
9	627 50010 10	-	1	-	1	Control cable ass'y	6030
11	641 50111 10	-	1	-	1	Spring	6756
12	641 50111 20	-	1	-	1	Spring	6757
13	641 50111 30	-	2	-	2	Screw	6758
14	641 50111 40	-	2	-	2	Nut	6759
15	641 50112 10	-	4	-	4	Tapping screw	6762



KEY NO.	PART NO.	QUANTITY				DESCRIPTION	OUR PART NO.
		281AU	281A	321AU	321A		
⊗ 13	625 50590 00	1	-	1	-	Control lever ass'y (incl. 2-18)	6031
2	641 50110 10	1	-	1	-	Case (1)	6747
3	641 50110 20	1	-	1	-	Case (2)	6748
4	641 50110 30	1	-	1	-	Lever	6749
5	641 50110 40	1	-	1	-	Lever	6750
6	641 50110 50	1	-	1	-	Stopper	6751
7	641 50110 60	1	-	1	-	Bracket	6752
8	625 50590 10	1	-	1	-	Control cable ass'y	6032
12	641 50111 10	1	-	1	-	Spring	6756
13	641 50111 20	1	-	1	-	Spring	6757
14	641 50111 30	1	-	1	-	Screw	6758
15	641 50111 40	1	-	1	-	Nut	6759
16	641 50111 50	1	-	1	-	Screw	6760
17	641 50111 60	1	-	1	-	Nut	6761
18	641 50112 10	1	-	1	-	Tapping screw	6762



## ENGINE BODY

## NB281-321 PARTS LIST

(U.S. SPEC.)

KEY NO.	PART NO.	QUANTITY				DESCRIPTION	OUR PART NO.
		281AU	281A	321AU	321A		
1	620 20060 00	1	1	1	1	Bolt Ass'y	6916
2	625 25004 00-1	2	2	2	2	Bolt, clutch	8013
3	627 15003 01	1	1	1	1	Bracket, pipe (1)	6641
4	627 15004 01	1	1	1	1	Bracket, pipe (2)	6642
5	531 60140 00	1	1	1	1	Cap, fuel tank	5468
* 7	627 10040 01	1	1	1	1	Case, clutch ass'y (incl. 65, 66)	6643
8	627 20020 02	1	1	1	1	Drum, clutch compl.	6647
10	627 20030 00	1	1	1	1	Clutch	6648
12	531 55032 00-1	1	1	1	1	Cover, cylinder	6605
13	531 75005 00	1	1	1	1	Cover, plug	6613
14	531 35018 00	1	1	1	1	Cover, muffler	6617
* 15	531 10070 00	1	1	1	1	Crankcase ass'y (incl. 16, 71)	6624
16	531 15012 00	1	1	1	1	Gasket, crankcase	6635
17	531 20070 00	1	1	1	1	Crankshaft compl.	6637
18	524 15009 00	1	1	-	-	Cylinder	6638
18	531 15002 00	-	-	1	1	Cylinder	6033
20	521 65002 00	2	2	2	2	Damper	6160
21	531 55041 00	1	1	1	1	Damper	6647
22	531 65031 00	2	2	2	2	Damper	6648
23	627 15001 03-1	1	1	1	1	Damper, pipe (1)	6649
24	627 15002 03	1	1	1	1	Damper, pipe (2)	6652
25	531 70100 30	1	1	1	1	Cap, plug	6662
26	531 70100 20	1	1	1	1	Coil	6664
27	531 70100 10	1	1	1	1	Flywheel	6675
28	510 35028 00	1	1	1	1	Gasket, air cleaner	6686
30	531 15003 00	1	1	1	1	Gasket, cylinder	6636
31	531 35023 00	1	1	1	1	Gasket, insulator	6680
32	531 35022 00	1	1	1	1	Gasket, muffler	6681
33	531 35005 00	1	1	1	1	Insulator	6777
34	531 30090 01	1	1	1	1	Muffler, exhaust	6695
35	524 25001 00	1	1	-	-	Pin, piston	8154
35	531 25004 00	-	-	1	1	Pin, piston	6628
36	524 25008 00	1	1	-	-	Piston	6744
36	531 25006 00	-	-	1	1	Piston	6626
37	503 65002 00	1	1	1	1	Plate	6161
38	503 65003 00	1	1	1	1	Plate	6162
39	524 25007 01	2	2	-	-	Ring, piston	5328

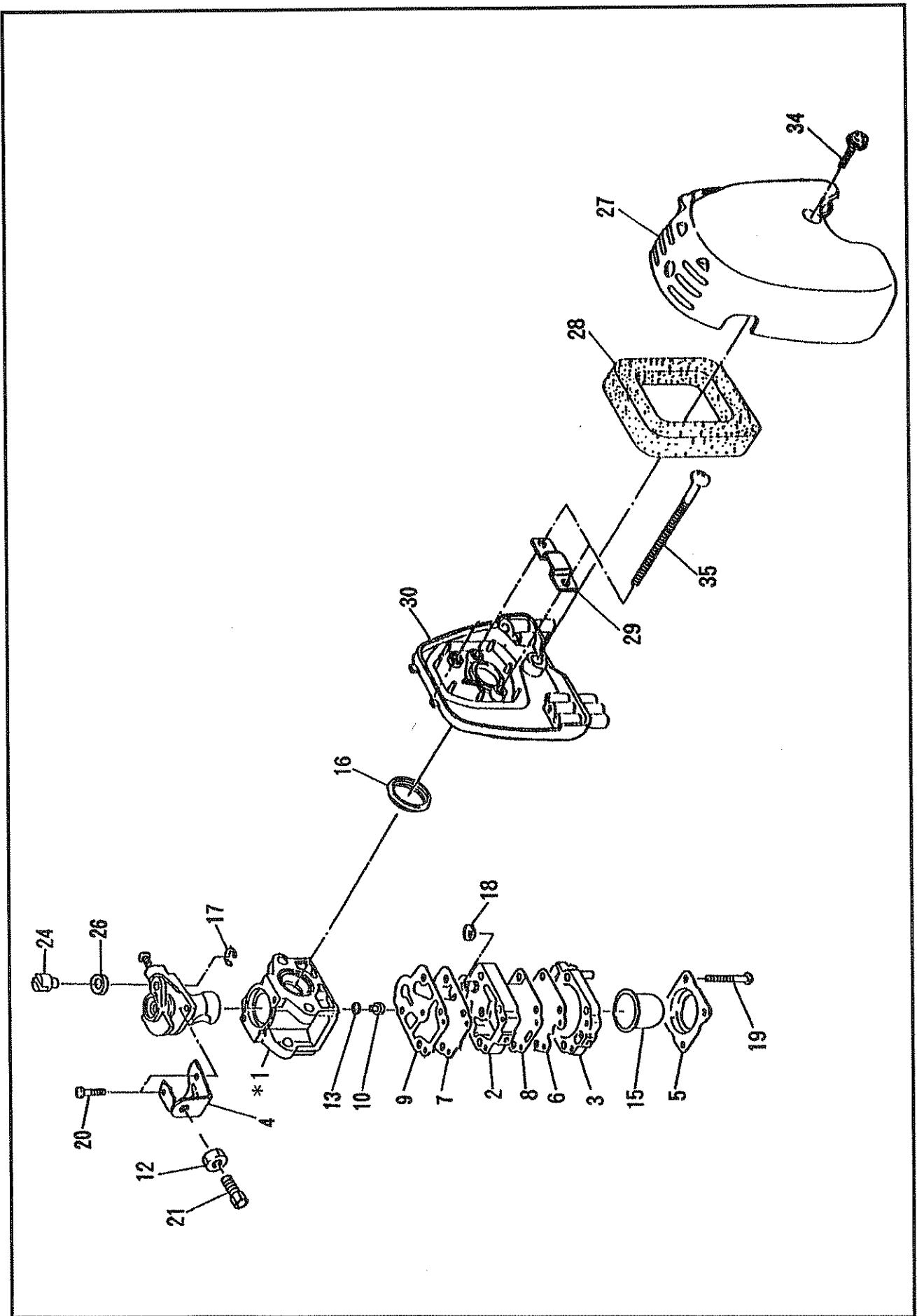
## ENGINE BODY

## NB281-321 PARTS LIST

(U.S. SPEC.)

KEY NO.	PART NO.	QUANTITY				DESCRIPTION	OUR PART NO.
		281AU	281A	321AU	321A		
39	598 25002 00	-	-	2	2	Ring, piston	6627
* 40	531 50060 00	1	1	1	1	Starter, rewind (incl.41)	6696
* 41	524 50070 00	1	1	1	1	Pulley, starter (incl.43, 45, 49)	6010
43	521 50030 40	1	1	1	1	E-clip	6151
45	524 50070 10	1	1	1	1	Ratchet	6012
46	531 50070 10	1	1	1	1	Reel	6011
47	531 50070 20	1	1	1	1	Set screw	6013
48	541 50030 20	1	1	1	1	Spiral spring	6014
49	524 50070 20	1	1	1	1	Return spring	5492
50	521 50021 10	1	1	1	1	Starter knob	7037
51	523 50240 22	1	1	1	1	Starter rope	5375
52	625 50210 01	1	1	1	1	Strap unit	5444
54	523 65039 00	1	1	1	1	Filter	5370
55	531 65020 00	1	1	1	1	Tank, fuel	6015
56	627 25000 00	2	2	2	2	Washer	6016
57	616 55002 00-1	1	1	1	1	Wire	6907
58	00116 0520 0	2	2	2	2	Bolt ass'y	5333
59	00166 0616 0	1	1	1	1	Bolt	1388
60	00217 0500 0	2	2	2	2	Nut	1703
61	00320 0600 0	1	1	1	1	Spring washer	1294
62	0119 05957 0	4	4	4	4	Socket head bolt (M5X30)	1215
63	00315 1200 0	1	1	1	1	Snpring, outer	1398
64	00626 1006 0	1	1	1	1	O-ring	6017
65	00314 3200 0	1	1	1	1	Snpring, inner	1189
66	0600 12995 0	1	1	1	1	Ball bearing (#6201DD)	1688
67	0119 05963 0	2	2	2	2	Socket head bolt (M5x20)	5333
68	0140 05992 0	1	1	1	1	Screw (M5x8)	6677
69	0119 05967 0	2	2	2	2	Socket head bolt (M5x55)	6729
70	0119 05973 0	3	3	3	3	Socket head bolt (M5x20 W SW)	5333
71	0140 05979 0	5	5	5	5	Screw (M5x25)	6915
74	0119 05990 0	1	1	1	1	Socket head bolt (M5x12 SW)	6128
75	0119 05995 0	6	6	6	6	Socket head bolt (M5x18 SW)	6193
76	0140 05948 0	1	1	1	1	Screw ass'y (M5x14)	8159
77	0200 06992 0	1	1	1	1	Washer	7449
78	0200 08991 0	2	2	2	2	Washer	6486
79	0323 03999 0	1	1	1	1	Woodruff key	6776
80	0565 08998 0	2	2	2	2	Clip	1015
81	0610 08999 0	1	1	1	1	Needle roller bearing	1012
82	0650 14972 1	1	1	1	1	Plug, spark	BM6A
83	0654 00993 1	1	1	1	1	Spring, plug cap	6169
84	0734 50993 0	1	1	1	1	Label	6034
85	0851 19997 0	1	1	1	1	Tube	5502









**Carswell Import & Marketing Associates, Inc. / Carswell Distributing Company**  
3750 N. Liberty Street, P.O. Box 4193  
WINSTON-SALEM, NORTH CAROLINA 27115

Specifications subject to change without notice.