

THE B.E.A.S.T.™ IS UNLEASHED.

NIGHTFORCE®



WELCOME! WE'VE BEEN BUSY.

Nightforce has never made a *lot* of riflescopes.

Since 1992, what we've made are a few *exceptional* riflescopes, each built with painstaking craftsmanship and a fanatical attention to detail. So, it is quite a milestone for us to introduce three all-new riflescopes for 2013.

Each is the result of years of research and development, testing, refining, and on more than one occasion, trips back to the proverbial drawing board if we found something that could be improved, easier to use, or benefit from newly discovered technology.

Many companies feel compelled to introduce something "new" every year, even if it is just a rehash of the same old thing. That's not our style.

We prefer to take our time, get it right, and present you with something genuinely unique—riflescopes that venture into uncharted territory, that allow the serious shooter to achieve ever higher standards of performance.

We hope you enjoy our new expanded catalog. In it, you'll find a great deal of information and a lot of good reading material.

We know, though, that we must earn your trust not by what we say... but by what we do.



Rory Jacobs is quite the young man. He is the 2012 Junior National Two-Gun Champion, 2012 Junior Shooter of the Year and 2012 points leader. He finished 6th in heavy gun score, 14th in heavy gun group and 7th in heavy gun overall.

While we're pleased that Rory uses Nightforce, we're even more proud to see fine young men like this carry on the tradition of American marksmanship.

Young people like Rory are the greatest asset we have, to our sport and to our nation. Don't miss any opportunity to properly introduce a youth to the shooting sports. The future of hunting, shooting, and firearm ownership in America depends upon them.

Index	
Welcome to Nightforce	2
New for 2013	3
How a Nightforce NXS is built	4
A salute to our men and women in uniform	6
Compact NXS riflescopes	8
3.5-15x NXS riflescopes	10
5.5-22x NXS riflescopes	12
8-32x NXS riflescopes	14
ZeroStop®, Diglllum™, Hi-Speed™ adjustments	15
3.5-15x 50 F1 NXS rifle scope	16
MOAR™ and MIL-R™ reticles	16
Precision Benchrest riflescopes	18
15-55 x 52 Competition™ riflescopes	20
5-25 x 56 ATACR™ riflescopes	22
The B.E.A.S.T.™ 5-25 x 56 F1 rifle scope	24
Velocity™ Reticle Calculator	30
Velocity™ reticles	31
Nightforce reticles	32
Specifications	36
Accessories	38
Part numbers/reference	42
Contact us	Back cover

All trademarks, graphics and designs herein are the property of Nightforce Optics, Inc. Product specifications are subject to change without notice. Products may differ in appearance from those shown here. Visit www.NightforceOptics.com for current information, tutorials, and video. ©Nightforce Optics, Inc. 2013

What do the icons mean?

Throughout our catalog you'll see various icons associated with our riflescopes. These will give you a quick visual reference as to the most appropriate applications for a given rifle scope design. While most of our riflescopes do double or triple duty, performing equally well in tactical environments, at the range, in competition and in the hands of the hunter, some are truly exceptional at specific disciplines.



Target shooting, competitive shooting, extreme long range



Big game hunting



Varmint and predator shooting



Tactical and law enforcement



CQB environments, 3-gun competition

THERE'S A LOT THAT'S NEW AT NIGHTFORCE.

We are very excited to announce several new products for 2013.

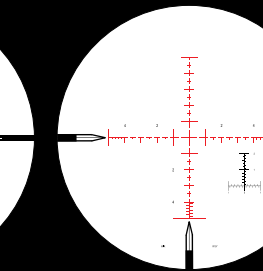
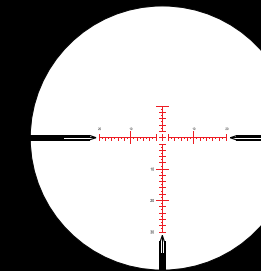
Throughout our catalog you will see pages trimmed in red, to highlight hot new items for 2013. These are not mere "updates." They are radically new products and fresh ideas at the pinnacle of optical design and innovation... some, in fact, the likes of which have never been seen before. Take a look. We think you'll be just as excited as we are.



Enhanced compacts

Now with night vision-compatible illumination settings, more intuitive markings and lightning fast PTL™.

PAGE 8



Smarter "smart" reticles

The MOAR™ and MIL-R™ attain new levels of speed and precision.

PAGE 17

COMPETITION™



PAGE 20

15-55 x 52 powerhouse

The most advanced, most powerful benchrest rifle scope we've ever built.



Redefining the tactical rifle scope

An entirely new 5-25 x 56 gives new meaning to "advanced tactical."

PAGE 22

ATACR™
ADVANCED TACTICAL RIFLESCOPE

B.E.A.S.T.™

BEST EXAMPLE OF ADVANCED SCOPE TECHNOLOGY



PAGE 24

Quite simply, the most brilliant, most sophisticated rifle scope ever created.

YOU CANNOT BUY A HIGHER QUALITY RIFLESCOPE.

Those are strong words.

But, they are words we can prove. And our customers do prove it . . . every day, under some of the harshest, most unforgiving conditions on earth.

We didn't start building scopes and expect people to find uses for them. Instead, we looked at real-world needs . . . needs that were not being met by other optics manufacturers. Created from the ground up, Nightforce designed the ultimate precision instrument for the intended application.

You can tell the difference the moment you pick one up. If you could look inside a Nightforce scope, the differences would be even more obvious.

Fortunately, looking through one will tell you everything you need to know.



McMillan Firearms EOL



All air-to-glass surfaces receive our proprietary broadband multi-coating; applied to tolerances of 1/4 wave deposition or .000005 inches, exceeding the toughest Mil-Spec abrasion test. You will see the difference in low-light situations.

A scope's objective lens determines resolution, light transmission and exit pupil size. To maximize these attributes, every Nightforce objective lens assembly utilizes a multi-element design like those found in the highest quality telescopes. Our lens system focuses light rays more precisely for exceptional image clarity and color accuracy.

Every lens in a Nightforce rifle scope incorporates an optical prescription specifically engineered for maximum performance in a given product design. This is one of the reasons Nightforce rifle scopes produce such outstanding resolution, contrast and image clarity—all of which determine how well you see your target.

Sand, dust, mud, heat and cold are a few of the environmental challenges every Nightforce rifle scope faces in its development. Every aspect is thoroughly tested, proven, and tested again before we build a final product. Anything you can inflict upon a scope, you can be certain we've already done it first.

Nightforce NXS™ tubes are machined from solid bar stock 6061-T6 aircraft-grade aluminum alloy, not extruded or formed like those found on lesser scopes. They are two to three times thicker than other rifle scopes. This means less overall stress, greater thermal stability, a consistent zero and a virtually impervious shield for the precision optics within.

The terms **"rugged"** and **"precision optics"** are usually not compatible. Any optical instrument built to highly exacting tolerances and absolute alignment is by its very nature a delicate device.

Not so with Nightforce. The design of our scopes is unique within the industry, allowing us to combine optics of extraordinary precision with construction that will withstand repeated recoil from the largest calibers, extreme shock and severe temperature changes.



We machine the screw that controls elevation adjustments to an unbelievable 110 threads per inch. It is so precise that it must be mated to its receiver by hand. Why go to so much trouble? Because we consider backlash clearance of more than 1/30 the thickness of a human hair unacceptable.



The spring that maintains pressure on our elevation and windage adjustments spends two weeks in a polishing tumbler before going into a Nightforce rifle scope, to assure there are no rough spots or burrs to interfere with perfectly smooth operation. It is made of pure titanium, the only known metal in the world that can be repeatedly compressed and held in place, even for years, without developing fatigue or "memory." This guarantees zero loss of integrity, zero loss of repeatability. It is many times more expensive than comparable springs found in most scopes. But, we are not concerned with a few dollars. We are concerned with building the best rifle scope.

A hand-signed Quality Assurance tag means your Nightforce has been thoroughly tested and approved before it reaches your hands.

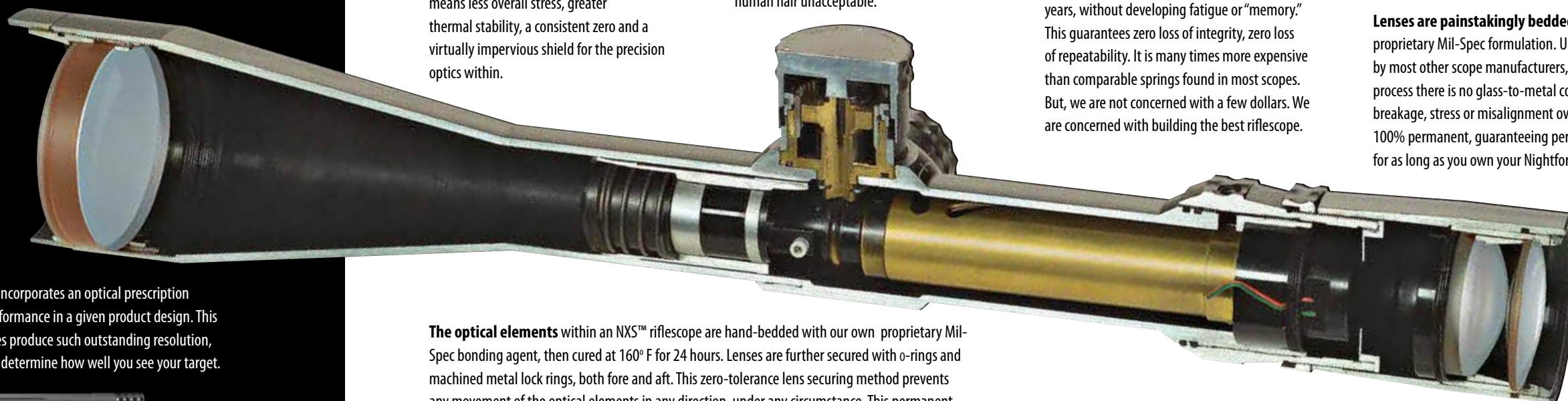
Adjustments are made with hardened silicon bronze to ensure a lifetime of wear resistance and reliable performance. This is not the easiest way to build a rifle scope. . . . providing a lifetime of repeatable accuracy.

Lenses are painstakingly bedded with our own proprietary Mil-Spec formulation. Unlike methods used by most other scope manufacturers, with our bedding process there is no glass-to-metal contact that can result in breakage, stress or misalignment over time. Our process is 100% permanent, guaranteeing perfect optical alignment for as long as you own your Nightforce rifle scope.

The optical elements within an NXS™ rifle scope are hand-bedded with our own proprietary Mil-Spec bonding agent, then cured at 160° F for 24 hours. Lenses are further secured with o-rings and machined metal lock rings, both fore and aft. This zero-tolerance lens securing method prevents any movement of the optical elements in any direction, under any circumstance. This permanent bonding assures a lifetime of uncompromising performance and reliability, confirmed with front and side impact testing on every NXS™ rifle scope we build.

Detailed information and tutorials on Nightforce products can be found at www.nightforceoptics.com.

WHAT SOME COMPANIES CALL CLOSE TOLERANCES, WE CALL INTOLERABLE.



A SALUTE TO THE AMERICAN SERVICEMAN

SARATOGA
 NEW ORLEANS
 SAN JACINTO
 ANTIETAM
 SAN JUAN HILL
 THE ARGONNE
 IWO JIMA
 OMAHA BEACH
 INCHON
 DAK TO
 MEDINA RIDGE
 KANDAHAR
 FALLUJAH

*"You can manufacture weapons
 And you can purchase ammunition,
 but you can't buy valor
 And you can't pull heroes
 off an assembly line."*

*—Sergeant John B. Ellery
 U.S. 1st Infantry Division*

*Inscribed at the Normandy American Cemetery
 Visitor Center, Colleville-sur-Mer, France*

War is hell.

So said William Tecumseh Sherman, who witnessed four long years of it during the American Civil War.

Few who have served would disagree.

But, as long as individuals exist who view freedom as a threat, who delight in oppressing their fellow man, who see the United States as an obstacle to their dreams of world domination, war—unfortunately—will remain part of the human condition.

It also remains the task of our men and women in uniform to meet these challenges as they have done for generations . . . unselfishly and bravely, not through desire but through duty, knowing that freedom is worth fighting for.

And, at times, dying for.



The Eternal Light Peace Memorial stands silent vigil over the battlefield at Gettysburg, conceived as a "monument to American heroism."

Nightforce has been to war. Most of our riflescopes were originally created for the U.S. military, and continue in active service with special operations units throughout our armed forces.

Many of our staff have served, too. For some, in fact, it was their experiences with Nightforce optics in combat that persuaded them to seek us out when their tours were completed.

Our responsibility is to make the most advanced, most reliable, most efficient tools possible . . . riflescopes that allow our military professionals to have an advantage over their foes, to accomplish their missions, to protect themselves and their teams, and—above all—to return home safely.

We can provide the tools. We can provide the technology. No one, though, can manufacture the courage, commitment and dedication that is the hallmark of the American soldier. That comes only from the heart.

From our hearts, thank you.



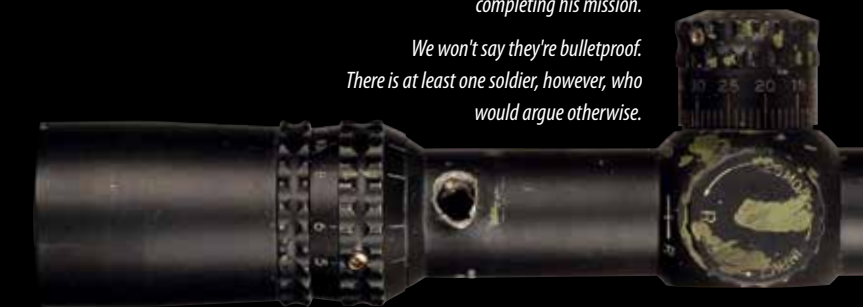
A storm approaches the Meuse-Argonne American Cemetery in France. Over 104,000 American soldiers are buried in Europe.



The hole you see in the well-used Nightforce 3.5-15x50 NXS™ rifle scope below was made by an enemy 7.62x39 round fired at a U.S. soldier. The bullet completely penetrated the erector tube—the heart of the scope's optical system. We're happy to report that the soldier was not injured, and the only casualty was the rifle scope's magnification ring, frozen on 15x. Its focus, tracking, and all other functions work just fine. It holds point of aim like new.

The soldier wrapped the rifle scope in duct tape to keep out sand and dirt, and used it without a problem for the next three days, completing his mission.

We won't say they're bulletproof. There is at least one soldier, however, who would argue otherwise.



Nightforce NXS Compacts prove that a riflescope needn't be large and bulky to be highly efficient. Not that building a small scope offering high performance is easy. Like a fine watch, tolerances, materials, and optical design must be as close to absolute perfection as humanly possible. Few companies have the skill, the resources, and the desire to create such a precision instrument. Our Compacts were originally designed for—and are still in use by—the U.S. Special Operations community, whose demands are uncompromising. When you hunt with a Nightforce Compact, you won't be making any compromises, either. All you'll be giving up is bulk, weight, and inconvenience.

New night vision settings for our illuminated reticles are now standard on Nightforce NXS Compacts. Designed for use with night vision equipment, you can instantly select one of two extremely low intensity settings—directly from the “off” position—with no risk of ruining your night vision. The full range of normal illumination settings is also available, from very low to extremely bright).

NIGHTFORCE COMPACTS: BUILT TO TOLERANCES THAT WOULD MAKE A WATCHMAKER JEALOUS.



Nightforce Compacts are born in the U.S.A., and born for the AR platform. We offer an extensive selection of Mil. Std. 1913 mounts, the perfect complement to our riflescopes.

Brice Folden, host of Wild TV's popular Flatliners series, credits the illuminated reticle on his 2.5-10x32 with allowing a perfect shot on his 53" kudu at last light. "After 'delicate' handling by airlines from New Zealand to Canada, then to London, then to Johannesburg," Brice said, "My Nightforce scope had not moved from point of impact at all. With 100% honesty I can say that Nightforce scopes are the finest I have ever hunted with."



Visibility of settings on the elevation adjustment has been improved by the use of two different size numerals. It makes for easier, faster reference in the field. A little thing, perhaps, but the little things are what separate Nightforce riflescopes from less well-thought-out optics.

Peter Moore, editor of the UK's Shooting Sports magazine, with a fine roebuck taken with a 2.5-10 x 32 NXS Compact. "Last hour of daylight," Peter said. "The field of view and low light performance are impressive, the reticle crisp and clear, plus the scope is nice and compact."



Why are there so few riflescopes on the market offering variable magnification beginning at a true one power? It is extremely difficult to build a true 1x variable riflescope while maintaining absolute optical integrity and alignment throughout the entire magnification range. For the hunter, having the option of one power—zero magnification—makes our 1-4 x 24 NXS the only true substitute for open sights on a dangerous game rifle. For the military/LE professional, it can be a lifesaver in CQB situations (especially with our FC-2 and FC-3G reticles). It is a top choice for three-gun competitive shooting, as well.



Hi-Speed adjustment options, L to R:
A) .250 MOA exposed adjustment with ZeroStop
B) .1 Mil-Radian exposed adjustment with ZeroStop
C) Capped enclosed adjustments (.250 MOA only)



1-4 x 24 NXS™ Compact

Whether it's securing a perimeter or taking down an angry Cape buffalo at 10 yards, there is no better scope on the market to keep the odds in your favor. The true one power of this low-profile riflescope, combined with our new Power Throw Lever (PTL™), makes it as quick as open sights and vastly more precise. Night vision compatible illumination makes this riflescope capable across a wide range of scenarios, keeping you up and running at any time of day. The shortest 1-4x riflescope on the market today, it is ideal for hunting dangerous game, CQB environments and 3-gun competitions. It is a riflescope that can literally save your life.



Our new FC-3G reticle gives extended-range capability to the 1-4 x 24.



2.5-10 x 32 NXS™ Compact

The 2.5-10 x 32 NXS™ has proven extremely popular with hunters, law enforcement officers, our armed forces, and tactical/field shooters. At just 12 inches in length, it represents the optimum in size-to-weight performance. A large exit pupil makes for faster target acquisition, and there are no parallax or focusing issues to slow you down in the field. It outperforms scopes with much larger objective lenses, proving that size is no substitute for quality.



New! Power Throw Lever (PTL™)

Instant magnification changes in a fraction of a second, even if you're wearing gloves. Your riflescope arrives with a flush insert, which you can easily replace with the threaded PTL™ knob. Like so many Nightforce features, the PTL™ is included on our Compacts at no extra cost.

Available with
ZeroStop
NIGHTFORCE

Officer Jeremy Tangarone of the West Hartford Police Department competes at the 2011 Connecticut SWAT Challenge with a Nightforce 3.5-15x. The West Hartford department was instrumental in organizing the first SWAT Challenge in 2005, which has grown into a major annual event, drawing dozens of SWAT teams from throughout the nation.



3.5-15 x 50 Hi-Speed adjustments, L to R:
 A) .250 MOA with ZeroStop
 B) .250 MOA
 C) .1 Mil-Radian with ZeroStop



Available with
ZeroStop
 NIGHTFORCE

Our 3.5-15 x 50 is also offered as the F1 with a reticle in the first focal plane. See page 16 for more information.



3.5-15 x 50 NXS™

Originally developed for use on military small arms, the 3.5-15 x 50 NXS allows for a lower mounting profile. The practical magnification range, 110 MOA of internal adjustment and large field of view make it an invaluable tool for professionals and serious hunters as well. These attributes make the 3.5-15 x 50 NXS one of our most versatile riflescopes for both snipers and sportsmen, applicable to an extremely wide variety of applications and environments.

Desert Tactical



Accurate Ordnance



THERE IS NO TOUGHER RIFLESCOPE ON THE MARKET. PERIOD.

Our riflescopes are subjected to abuse during product development that would quickly destroy lesser optics. Pre-production riflescopes are tested in a pressure tank simulating 100 feet of water for 24 hours, ensuring absolute waterproof integrity. We test thermal stability by freezing them to -80° F, then heating them to 200° F within a one-hour period. Function is checked at both temperature extremes. Recoil and impact testing for positive and negative forces is conducted at 1,250 Gs.

Before it is shipped to a customer, every riflescope is completely inspected and checked at 70 to 130 different points, depending on the model. We perform a battery of tests, including forward impact, side impact, tracking accuracy and resolution integrity. These are but a few of the steps we take to ensure absolute quality before any riflescope leaves our facility.

Whatever you think you might do to your riflescope, chances are we've already done it.



A Nightforce riflescope is built like a tank... literally. The Mil-Spec bonding agents we use to secure our lenses are virtually the same as used in the aiming system of an M-1 Abrams tank.

John Buhay, vice president of U.S. Armament Corp, with his Vulcan.



* We are saddened to announce that Dr. Lomont has passed away. He was a fine man, and did many great things to benefit the shooting sports. He will be missed.

There hasn't been a rifle built Nightforce can't handle.

"I put 12,500 shots through two .50 BMGs," said Kent A. Lomont* about his Nightforce riflescope. "I fired another 4000 shots with it on an AR10. Then, I mounted it on a 14.5/114mm Russian (570 gr. of powder propelling a 1000 grain bullet at 3300 fps) and fired 970 rounds. Most scopes break within one to ten shots on the Russian... not the Nightforce. Nightforce is the best I have ever used."

If that's not impressive enough, consider John Buhay's 20mm Vulcan. It shoots a 1757 grain bullet at 2720 fps, generating an unbelievable 30,000 ft. lbs. of muzzle energy... over twice that of the average .50 caliber. "I've fired over 4000 rounds through it," said John, "and my Nightforce performs as flawlessly as day one. Even with countless elevation adjustments... my Nightforce always returns to zero."

All cartridges shown actual size.



The 3.5-15 x 50 NXS adapts comfortably to a number of different platforms, including tactical, AR-style and hunting rifles. It provides excellent versatility from close to extended ranges. Nightforce mounts (page 38) assure the strongest, most reliable mating of riflescope to rifle possible.



Wilkinson administers a whuppin'

In July of 2012, Walter Wilkinson beat 31 competitors to win the 1000-yard Hunter Class Score World Championship at the Fifty Caliber Shooters' Association World Championships at the NRA Whittington Center. A retired U.S. Army Special Forces Sergeant Major, Wilkinson compiled a two-day aggregate score of 274-6X out of a possible 300. Wilkinson also won the 600-Yard Practical Match, and was a member of the Ten-X team which took the Team World Championship. He did it all with his Nightforce 5.5-22 x 56 rifle scope.

When is "long range" too long?

Because high-magnification Nightforce riflescopes were originally designed for highly trained professional sharpshooters, they are capable of remarkable accuracy at extreme distances. For the hunter, this means that killing shots at game previously "out of range" are now possible... but only if the hunter is intimately familiar with his rifle, his loads, rangefinding techniques, and after extensive practice. Nightforce riflescopes will put extreme long-range capability in the hunter's hands. It is up to the hunter to use this capability wisely and ethically.

A sniper team armed Nightforce riflescopes takes out targets from behind obstacles during the 2011 United States Army Special Operations Command Sniper Competition at Fort Bragg, North Carolina. Facing every type of sniper operation challenge, 32 teams of military and civilian law enforcement snipers competed against time, distance and in realistic combat environments.



Aaron White of Danville, Virginia, took this fine Colorado bull using a Nightforce 5.5-22 x 56 NXS and NP-R1 reticle at 804 yards. Aaron obviously knows how to shoot... and what riflescope to use for such precision shooting.



What kind of riflescope does a bullet designer use?

As a project engineer at Hornady, Riley McElroy knows a thing or two about shooting. And accuracy. "I use my Nightforce 5.5-22 x 56 in low light conditions," says Riley. "In my opinion, there's nothing like it. You guys do a phenomenal job building optics. Please don't change a thing."



Mark Cochran of Idaho took this fine bull at a witnessed 770 yards with a Nightforce 5.5-22 x 50 NXS atop his 7mm Rem. Mag.



Trent Griswold (center), armorer on the History Channel's Top Shot series, prepares to shoot the 1500 Yard Challenge with a Nightforce-equipped .338 Accuracy International AX. He is joined by Kelly Bachand (right), gold medal winner and member of the USA National Rifle Team, and George Reinas (left), top Air Force sniper and instructor.



5.5-22 x 50/56 Hi-Speed adjustments, L to R:
 A) .250 MOA with ZeroStop
 B) .250 MOA
 C) .1 Mil-Radian with ZeroStop



5.5-22 x 50 NXS™

Originally developed for the U.S. military's extreme long range shooting and hard target interdiction, both 5.5-22 Nightforce NXS™ models provide a broad magnification range, four inches of eye relief and 100 MOA of elevation travel. These characteristics, combined with the extreme ruggedness and reliability of every Nightforce riflescope, make them ideal for even the largest calibers. The slim profile of the 5.5-22 x 50 NXS™ makes it easily adaptable to a wide range of mounting systems. Its superb resolution at high magnification opens an entirely new world of extended range shooting for the accomplished marksman; Nightforce shooters are now accurately reaching to 2000 yards and beyond.



Available with
ZeroStop
 NIGHTFORCE



5.5-22 x 56 NXS™

Our most proven long-range riflescope. Its 56mm objective lens provides maximum clarity and resolution across the entire magnification range. The wide magnification factor of our 5.5-22 series allows precision accuracy at the longest ranges, yet at 5.5 power remains highly effective for shots at close ranges. Nightforce was the first company committed to perfecting extreme magnification variable power scopes.

Our years of experience perfecting long-range optics is evident in every scope we build.

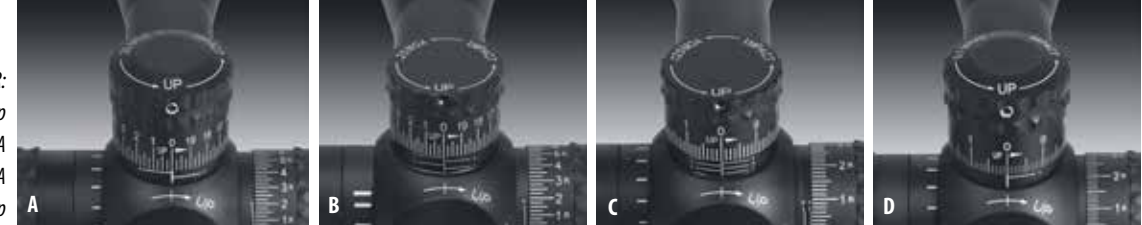
"I have three of your 5.5-22 NXS scopes... I shot the groundhog at 1803 yards... witnessed and verified. [My] guns have your fine optics on them and the shots could not be made with lesser equipment."
 —Danny Edwards



BUILT FOR PROFESSIONALS. SO YOU CAN SHOOT LIKE ONE.



8-32 x 56 Hi-Speed Adjustments, L to R:
 A) .250 MOA with ZeroStop
 B) .250 MOA
 C) .125 MOA
 D) .1 Mil-Radian with ZeroStop



Available with
ZeroStop
 NIGHTFORCE



8-32 x 56 NXS™

Since 1992, Nightforce has been a winner in countless benchrest competitions. We have taken that knowledge and success and combined it with the durability and features of our NXS™ line to create one of our most versatile all-around riflescopes. The 8-32 x 56 combines high magnification with maximum elevation travel, providing the best of all worlds to the shooter. It is the perfect choice for precise and repeatable engagement of targets at extreme ranges under extreme conditions.

DOES YOUR RIFLE MEASURE UP TO OUR RIFLESCOPE?

It might come as a shock to the shooter who has just invested a small fortune in a fine rifle, but the fact is that a Nightforce riflescope is built to tolerances vastly more precise than those found in the best rifles money can buy.

Why? Because even the slightest error in a riflescope's construction will be magnified dramatically as range and power settings increase; and evident in a constantly shifting zero and frustrating lack of repeatability.

Quite simply, to achieve the absolute maximum accuracy from your rifle, your scope must be as close to perfect as possible.

Less precise riflescopes can—and will—fail to match the potential of a well-made firearm. With Nightforce, whatever your rifle is capable of, your riflescope will stay a step ahead.



Darrell Buell, captain of the U.S. F-T/R team, loyal Nightforce shooter and our good friend. Darrell is shown here with his two favorite possessions, his Nightforce riflescope and his Savage F-Class rifle.



SSG Ty Cooper of the ASAMU Service Rifle Team, 2012 Interservice Long Range Champion, with his Nightforce 8-32 x 56 NXS riflescope.

ZeroStop[™] NIGHTFORCE

AN INSTANT RETURN TO ZERO. EVERY TIME.

It's an old problem. Make a radical adjustment to your scope's elevation settings, perhaps even through two turns of the knob, and returning to your zero setting can be almost impossible... especially under stressful situations or in bad lighting.

Other manufacturers have tried various means to solve this problem, with less than satisfactory results.

The Nightforce ZeroStop™ is the solution. A solution so good, so simple and so effective, it is patented.

After sighting in your rifle, simply set the ZeroStop™, and you create a positive mechanical stopping point at your chosen zero point. Then, no matter how many elevation adjustments you make, turning the elevation knob down to the ZeroStop™ setting returns you to your original zero, completely by feel—even in total darkness or while wearing gloves. No counting clicks, no need for visual reference, no wasted effort.

Just an instant return to zero. Every time.

ZeroStop™ is optional on 1-4, 2.5-10, 3.5-15, 5.5-22 and 8-32 NXS riflescopes. Available in .250 MOA and .1 Mil-Radian adjustments. Visit NightforceOptics.com for video instruction on setting your ZeroStop™



Setting ZeroStop™ takes only a minute or two and an Allen wrench (which we provide). The elevation adjustment cap removes with a single set screw.

Loosen four Allen head screws on the clutch assembly, snug the upper clutch face against the lower clutch face, retighten the screws and reinstall the cap. You're done.

Digillum[™] NIGHTFORCE

INSTANT AND PRECISE RETICLE ILLUMINATION.

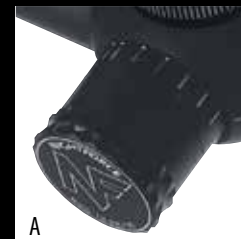
The introduction of Digillum™ digital illumination in our B.E.A.S.T.™ 5-25 x 56 F1 (see page 24) has established new standards of convenience and repeatability.



Choose the appropriate illumination setting for your lighting conditions—from very dim for use at dusk, to extremely bright for daylight—and you can then turn off illumination to save your battery. When you turn it

back on, it defaults to your previously chosen setting, ensuring your night vision will not be adversely affected and that you're instantly ready for a shot.

Digillum™ also includes a battery indicator (no more guessing just how much power remains), and auto-off, turning illumination off after a period of time to conserve your battery.



Analog illumination and parallax adjustment

Analog reticle illumination remains standard on our NXS™ and ATACR™ riflescopes. Parallax adjustment and reticle illumination controls on NXS™, and ATACR™ models (A) are located on the left side of the riflescope. On adjustable-parallax models, pulling out the adjustment knob activates reticle illumination, while turning the adjustment alone adjusts parallax.

NXS™ Compact models (B) have fixed parallax, with the left side adjustment controlling illumination only.

Hi-Speed[™] ADJUSTMENTS

WE KNOW THE NEED FOR SPEED.



All full-size NXS riflescopes now come standard with Nightforce Hi-Speed™ Adjustments (left, above)—twice as fast as less precisely machined, coarser adjustments. Most NXS™ models are also available with optional Hi-Speed™ Adjustments with ZeroStop™ (right, above).

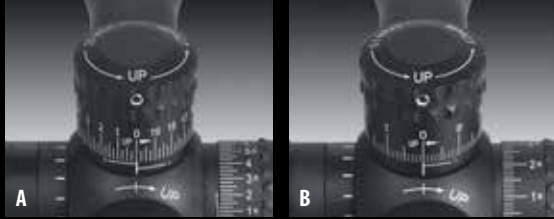
Depending upon the configuration, our adjustments provide:

- .250 MOA adjustments, 20 MOA per revolution
- .125 MOA adjustments, 10 MOA per revolution
- .1 Mil-Radian adjustments, 10 Mil-Radian per revolution



"I shot two consecutive targets of 50-5 Xs! This gives me the honor of holding this new world record in Hunter Class... I did it with a new record-breaking small group of 2.992"! —Sheri Rasmussen

F1 Hi-Speed adjustments, L to R:
 A) .250 MOA with ZeroStop
 B) .1 Mil-Radian with ZeroStop



"Mounted the F1... fired one shot, hit just off center. Read the reticle, second shot in black... back to 500 yards, dialed scope to 3.2 Mils... five rounds, perfect. The scopes are flawless. I really like them in this configuration."
 —Frank Galli, Sniper's Hide, LLC.



THE NIGHTFORCE 3.5-15 X 50 F1. FIRST FOCAL PLANE. FIRST IN SPEED AND ACCURACY.



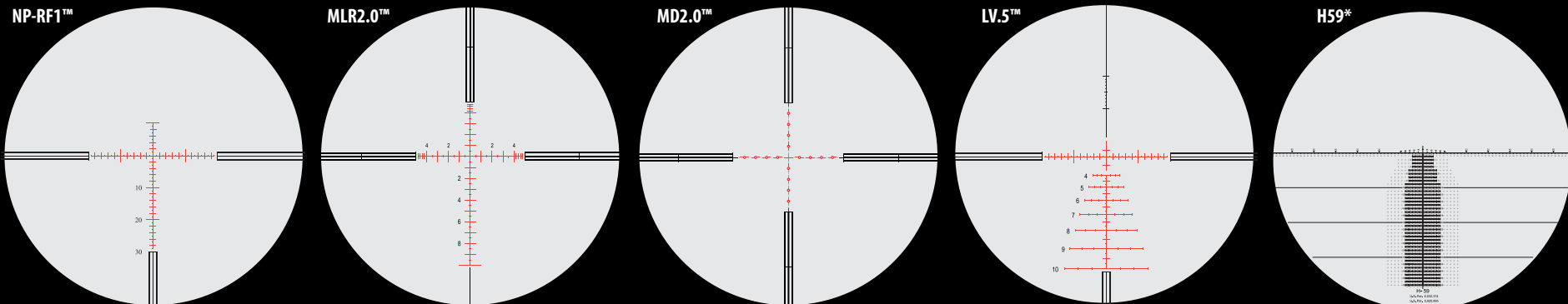
The U.S. military asked for a scope that is exceptionally fast and applicable to a wide range of targets at various distances.

The 3.5-15 x 50 F1 NXS™ is the answer. The reticle is located in the first focal plane, which has distinct advantages in high-stress situations and when the user might encounter targets from up-close to 1000 yards or more.

A first focal plane reticle remains in the same visual proportion to the target across the scope's entire magnification range, making it especially appropriate with rangefinding reticles. Combined with Nightforce's highly tactile and intuitive adjustments, it makes for a scope that is extremely quick, accurate, responsive and utterly reliable.

Nightforce ZeroStop™ adjustments are standard in the F1. In addition, a set of A101 Nightforce Ultralite™ rings is included. Visit www.nightforceoptics.com for complete details.

Several reticles are offered exclusively in the F1, each designed to maximize effectiveness of the first focal plane reticle.



*The H59 for the 3.5-15 x 50 F1 NXS™ is non-illuminated. The H59 is a product of Horus Vision, LLC. All trademarks and copyrights apply.

MORE PRECISE. MORE INTUITIVE. MORE VISIBLE. OUR MOAR™ RETICLE.

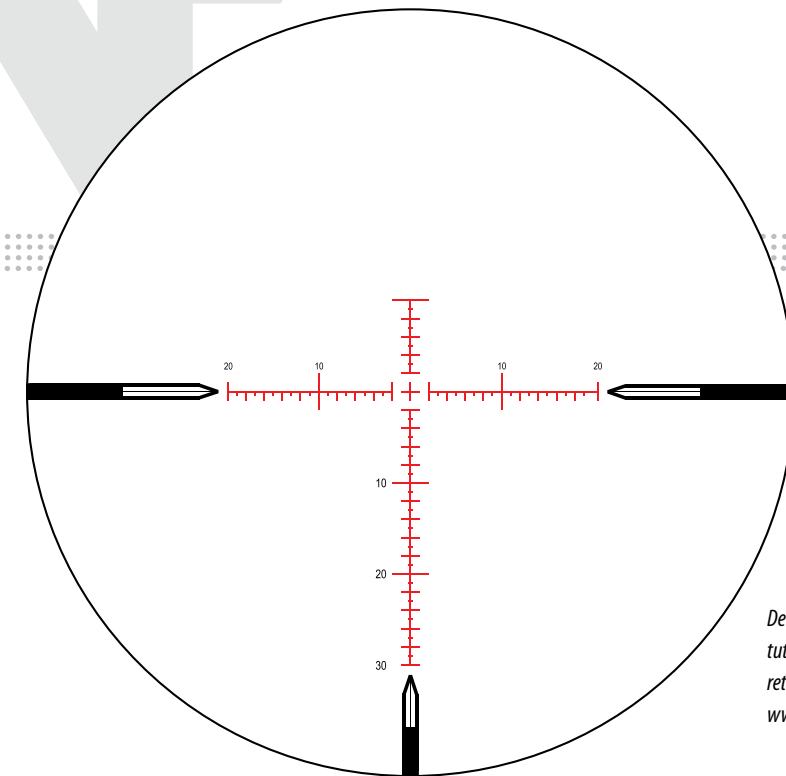
The Nightforce MOAR™ reticle is a major advancement in precision shooting. A floating center crosshair two MOA wide and two MOA tall provides a precise aiming point—especially on smaller targets at longer ranges. One-MOA elevation and windage spacings provide for more accurate rangefinding and hold-offs compared to ordinary reticles with coarser markings.

The Nightforce MOAR™ has thicker line subtensions than our traditional reticles, marked with 10, 20 and 30 MOA elevation indicators (10 and 20 MOA windage indicators), making it extremely fast and easy to view under field conditions.

The MOAR™ design is more intuitive, easier to see in low light and more visible against dark backgrounds and in shadows than other MOA reticles. Shooters will also find the 3, 6 and 9 o'clock posts to be an excellent asset for greater speed and target acquisition.

The detail provided by the MOAR™ makes it ideal for field tactical applications, long-range hunting and varmint shooting. It is an evolution from our best-selling NP-R1 reticle, and has established new levels of precision and ease of use for the long-range shooter.

The MOAR™ is offered in Nightforce 3.5-15x, 5.5-22x and 8-32x NXS™ riflescopes, the 5-25 x 56 ATACR™ and the 5-25 x 56 F1 B.E.A.S.T.™



OUR NEW MIL-R™ RETICLE: THE SMARTEST MIL-RADIAN RETICLE ON THE PLANET.

Precise Mil-Radian ranging, accurate hold offs, on-the-money first-shot placement and quick followup shots on either still or moving targets are the results with the new Nightforce MIL-R™ reticle.

Everything about it is designed for speed and intuitiveness. The clean, uncluttered floating center crosshair is precisely 1.0 Mil, supported by whole, half, .2 and .1 Mil-Radian graduations.

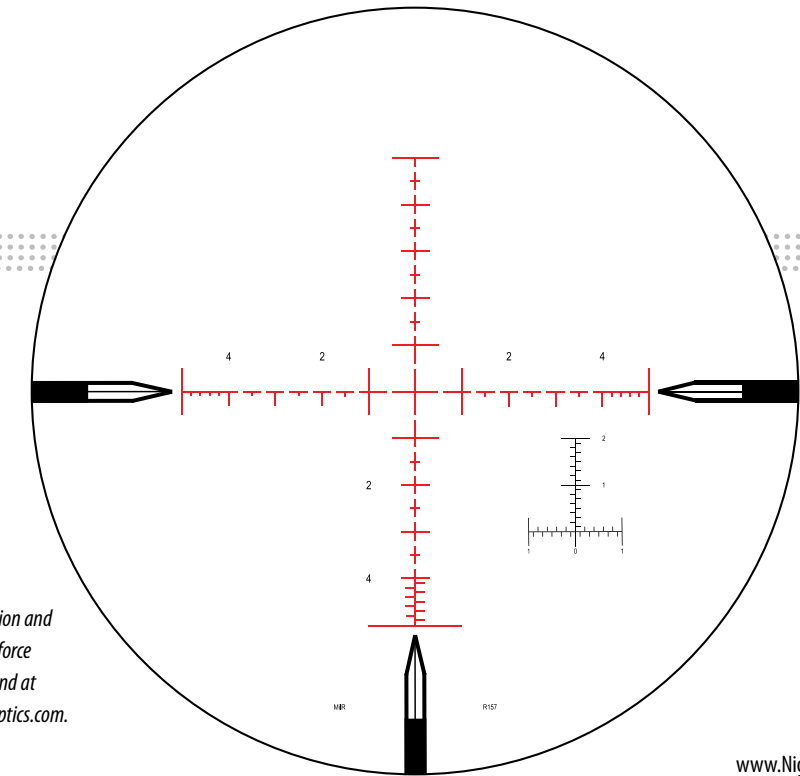
Numerical indicators provide quick reference to Mil-Radian spacing under stressful conditions. The spaces between the whole

Mil-Radian graduations provide accurate ranging and hold off references in much finer, more precise increments than coarser, less intelligent reticles. The shooter can also easily distinguish between whole and half Mils.

Unique to the MIL-R™ is the inverted "T" Mil-Radian ranging scale. This allows the shooter to easily and logically reference zero to whole Mil-Radians in .2 and .1 Mil-Radian markings.

It's fast, precise and smart. Almost as smart as the shooter who uses it.

The MIL-R™ is offered in the Nightforce 5-25 x 56 ATACR™ (second focal plane, page 22) and the 5-25 x 56 F1 B.E.A.S.T.™ (first focal plane, page 24).



Detailed information and tutorials on Nightforce reticles can be found at www.nightforceoptics.com.



8-32 x 56 Precision Benchrest

Since 1992, Nightforce riflescopes have won more records in long-range benchrest competitions—including several world records in .50 B.M.G. 1000 yard benchrest— than any other scope on the market. Both Precision Benchrest models include an externally adjustable illuminated reticle, true .125 MOA click values and a broad range of internal adjustment.

These are not “dual-purpose” or hunting scopes with a different name. Each was designed and built from the ground up to answer the specific demands of the long-range benchrest shooter.

John Whidden has a lot to smile about these days. He was a member of the winning Herrick Trophy team at Camp Perry. Twice, he's won the National Championships for Long Range Highpower and the Canadian Cup. Several times he's taken Georgia State 1000 yard and 600 yard championships. All with Nightforce Optics.



12-42 x 56 Precision Benchrest

Each of our Precision Benchrest models feature 56mm objectives and multi-coated lenses, providing the superior resolution necessary to distinguish fine detail at extremely long ranges. An adjustable objective allows extra-fine focus to adjust parallax from 25 yards to infinity.

Target adjustments are calibrated in true .125 MOA (1/8 click) values and can be re-indexed to zero after sighting in.

Both Precision Benchrest riflescopes are equipped with a coil spring plunger return system to maximize tracking accuracy. The eyepiece provides fast reticle focusing, and a glass-etched illuminated reticle provides optimum image/reticle contrast under virtually any lighting conditions.

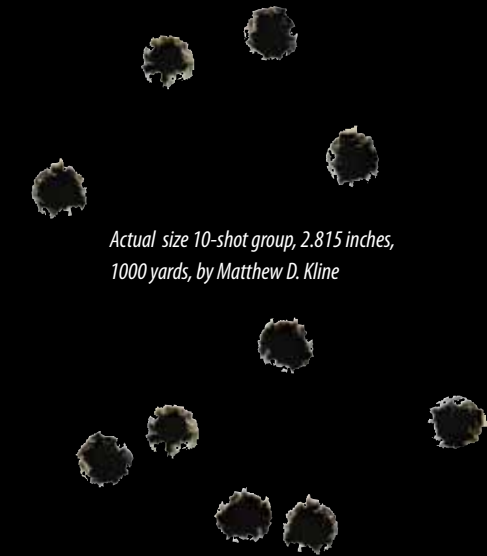
Our 12-42 x 56 has garnered more blue ribbons, over more years, than any other single riflescope in long-range .50 caliber and 1000 yard benchrest competitions.

NIGHTFORCE

1000 yards, 10 shots, 3.04 inches
"After researching several scope brands, I purchased a Nightforce 12-42 in 1997. . . I can honestly say Nightforce is in a league of its own. My first Nightforce scope had its 12th birthday this year [2009] and was instrumental in helping me achieve a new World Record."
 —Joel Pendergraft



World record shattered!
 On September 12, 2010, Matthew D. Kline broke the three-inch barrier for the first time with a new 1000 yard 10-shot Heavy Gun World Record of 2.815 inches, 100-4x. He used a 300 WSM topped with a Nightforce 8-32 x 56 Precision Benchrest scope.
 Just to prove he wasn't done, in 2012 Matthew won the score at the World Open in Pennsylvania and the IBS Nationals in West Virginia, both in Heavy Gun.



Actual size 10-shot group, 2.815 inches, 1000 yards, by Matthew D. Kline



Since 2003, Leo Anderson has added more and more titles to his collection of 1000-yard world records. In 2011, Leo set new 1000-yard world records for the 17 lb. class, six-match Aggregate and ten-match Aggregate. He said, "to shoot the best, you have to shoot the best equipment. That's why I shoot Nightforce. Customer service is excellent. . . Nightforce is a great company to deal with."



Hail to the hero
"I have used Nightforce exclusively for all of my F-Class shooting since 2001. I've used them to win a good number of gold medals in State, Regional, National and World Championships. Just this year [2011] my 12-42x allowed me to win the Creedmoor Match in Ireland and the U.S. Fullbore F-Class Nationals in Raton, NM, by a good margin. I am asked quite often by new shooters, 'What scope should I buy?' My answer is always the same. . . Nightforce."
 —Larry Bartholome, U.S. F-Class Open Rifle Team



Darrell does it again
 2011 was a good year for the U.S. F-T/R Team. Using the best equipment available, including Nightforce NXS scopes, the Combined Team won the new Creedmoor Cup in Ireland. Team Captain Darrell Buell won the Irish National Individual Championships (800, 900, 1000 yards). "My scope worked flawlessly, as usual," Darrell said, "from ranges as short as 300 yards all the way out to 1233 yards."

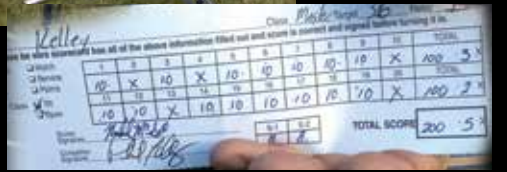
MORE LONG-RANGE RECORDS THAN ANY OTHER RIFLESCOPE.



Good as gold
 Using Nightforce riflescopes, Team Savage won the 2010 National Championships Team Match, taking the 600 and 1000 yard phases, setting a new 1000 yard national record, and outscoring all nine competing F-TR teams. "The mirage was particularly fierce," said Darrell Buell, Team USA captain. "The quality of our optics played a significant role in the win."



First-ever "clean"
 Phil Kelley Jr. broke new ground on his way to winning the 2012 NC Long Range Championship; setting a new World & National Record with the first-ever "clean" in a NRA-registered match. The match requires 20 shots at 1000 yards. Phil shot a score of 200-5x in F-Class TR division, the first time such perfection has been achieved. Phil's riflescope? Nightforce.



OUR ALL NEW COMPETITION 15-55 x 52: QUITE SIMPLY, THERE IS NO COMPETITION.

It almost isn't fair. Nightforce NXS and Precision Benchrest riflescopes already have taken more long-range world records than any other brand. Now, with the introduction of our 15-55 x 52 Competition™, the bar has been raised to lofty new heights.

It is a riflescope so good, so advanced, that it will blow away your competition. And ours. It was created for one reason: to give the competitive shooter every conceivable advantage with a tool of unprecedented performance.

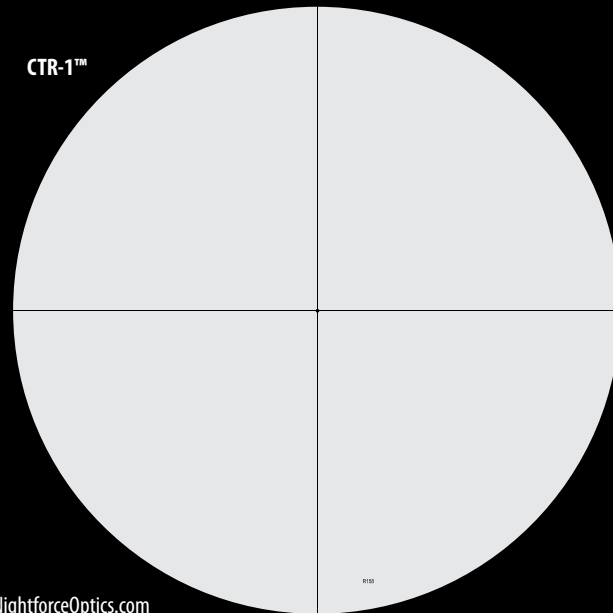


COMpetition
NIGHTFORCE

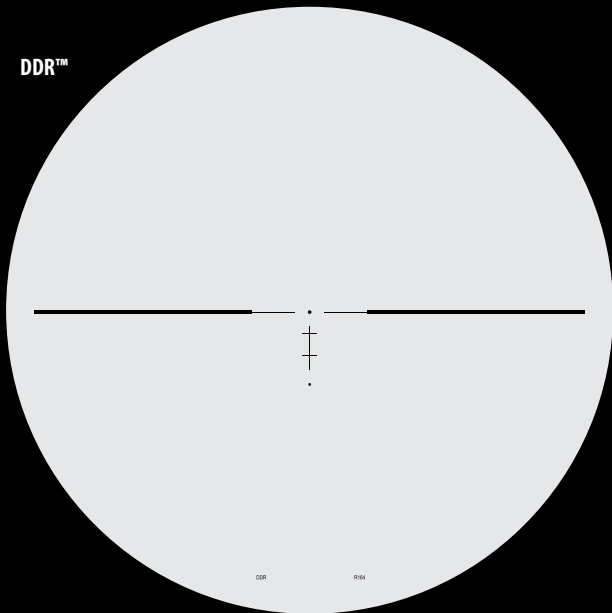
We created two all-new dot reticles to take advantage of every ounce of the Competition's capabilities. Both are non-illuminated, located in the riflescope's second focal plane. The CTR-1™ has .016 MOA fine lines with a .125 MOA center dot.

The DDR™ gives the shooter multiple holdover points, with a .125 MOA center dot. Each reticle is uncluttered and designed for maximum precision at extreme ranges.

CTR-1™



DDR™



The Competition is offered in traditional Nightforce black and two-tone black & silver.



15-55 x 52 Competition™

ED glass, for superb color contrast correction and high resolution. A remarkable 92% light transmission, approaching the maximum ever achieved in any riflescope. Fast-focus European-style eyepiece. Just 27.8 ounces in weight—24% lighter than our 12-42 x 56 Benchrest, and over 20% lighter than our 12-42 x 56 NXS riflescopes.

The list goes on. Side parallax adjustment from 25 yards to infinity. Windage and elevation adjustments of .125 MOA, positive and repeatable over a lifetime of use, each with 60 MOA of travel. Each rotation provides 5 MOA of adjustment. You enjoy a 100-yard field of view of 6.9 feet at 15x, 1.83 feet at 55x.

The exceptional resolving power of the Competition's ED glass, combined with our lens coatings and uncompromising construction techniques perfected over 20 years, means that *all* of the Competition's magnification range produces outstanding clarity... not just a portion of it, as is often the case in lesser optics. For the serious competitor, this is one serious riflescope.

Fully enclosed adjustment caps remove quickly. Elevation and windage adjustments are designed for maximum visibility and speed. Like all Nightforce adjustments, they utilize materials vastly superior to those found in most riflescopes, for a lifetime of precise repeatability.



Aluminum caps for both eyepiece and objective lenses keep out dust and debris.



A non-glare sunshade is standard equipment.



Product specifications are subject to change without prior written notice. Products may differ in appearance from those pictured.

ATACR™

ADVANCED TACTICAL RIFLESCOPE

YOU MIGHT HAVE TO START RANGING BY ZIP CODE.



5-25x 56 ATACR™

What's in a name? In this case, everything. Our all-new ATACR™—Advanced Tactical RifleScope—builds upon the long and successful history of our NXS™ series. The result is a rifle scope of unprecedented long-range capability and image quality.

The 34mm tube allows 120 MOA/34.9 Mils of elevation adjustment—20% more than our most capable NXS™. Fully multi-coated ED glass results in light transmission values of over 90%, brilliant images and exceptional color contrast. A magnification range of 5x to 25x, and a wider field of view as a result of its unique optical prescription (17.96 feet at 5x) will cover virtually any situation a shooter could encounter.

All this power comes in a compact package, too, measuring just 14.3" in length. Our patented ZeroStop® is standard, and the ATACR™ is offered with two of our most sophisticated reticles, leaving nothing to chance.

The ATACR™ redefines the "long" in long range for serious shooters and hunters, pushing the envelope of precision... and possibility.



ZeroStop
NIGHTFORCE



Riflescopes built on 34mm tubes demand mounts of uncompromising quality for ultimate reliability and performance. Nightforce builds an extensive line of accessories expressly for 34mm riflescopes, including our Ultralite™ rings in both four- and six-screw designs, and our Ultralite™ Unimount™ and MagMount™. Our combination of 7075-T6 anodized aluminum and titanium beta series crossbolts and jaws provide strength far beyond that normally found in lightweight rings. They give you the performance of steel at half the weight.



The ATACR™ includes ZeroStop® Hi-Speed™ adjustments, available in .250 MOA (shown) or .1 Mil-Radian configurations.

Multicoated ED glass helps achieve light transmission values of over 90%, brilliant images and excellent contrast

34mm tube allows 120 MOA/34.9 Mils of elevation adjustment

Hi-Speed ZeroStop® adjustments standard

5-25x magnification range, providing 13% more power than our 22x NXS™ model

17.96 feet field of view @ 5x/100 yards, 4.92 feet @ 25x/100 yards

“LONG” RANGE JUST GOT A LOT LONGER.

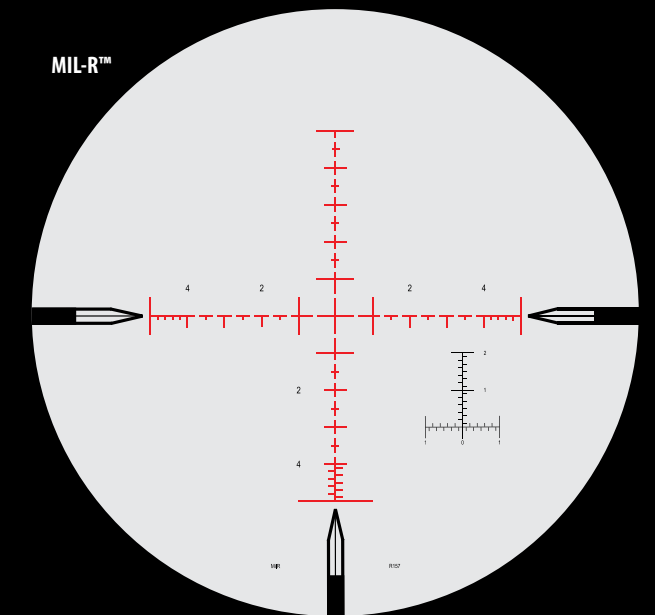
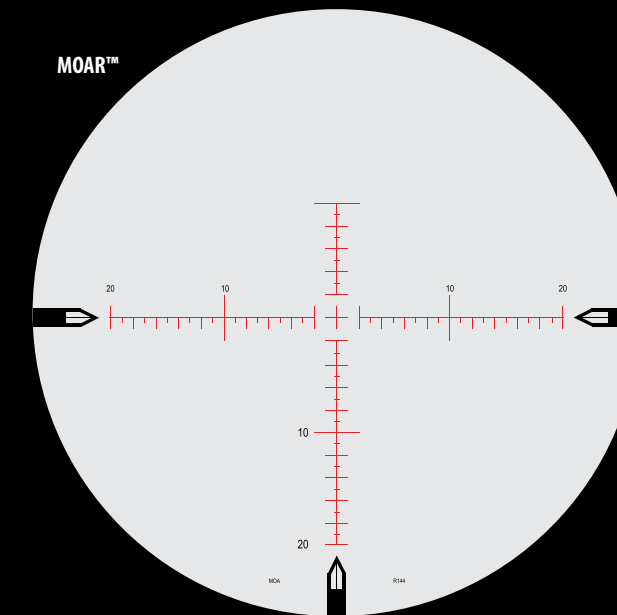
The ATACR™ was created to exceed—not just meet—the potential of the newest super-magnum calibers and projectiles having extremely high ballistic coefficients. While some riflescopes impose limits, the ATACR™ removes them. It is a rifle scope in a class of its own.

Two of the most advanced reticles ever created are offered in the ATACR™ in second focal plane configurations. Illumination is standard.

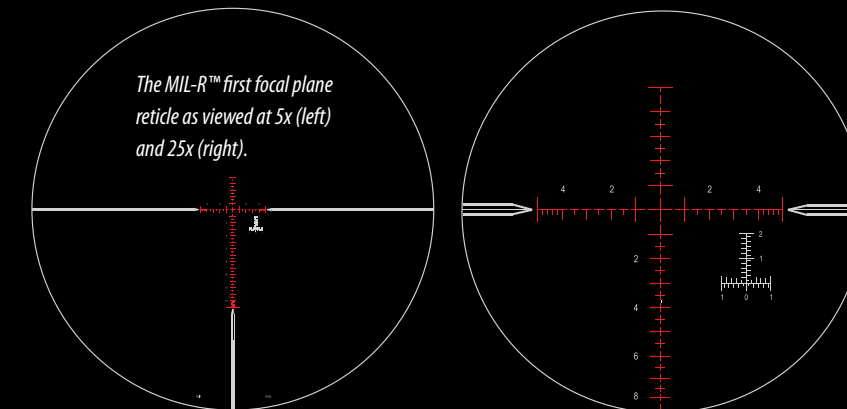
The MOAR™ is an MOA-based reticle that is highly intuitive, easy to see in low light and provides

extremely accurate rangefinding and hold-offs (see page 17).

The MIL-R™ achieves new levels of speed and precision in a Mil-Radian reticle supported by whole, half, .2 and .1 Mil-Radian increments (see page 17).



**THE B.E.A.S.T.™ 5-25 x 56 F1:
A RIFLESCOPE THAT EXCEEDS THE CAPABILITY OF ANY RIFLE.**



The ML-R™ first focal plane reticle as viewed at 5x (left) and 25x (right).

BEAST™
BEST EXAMPLE OF ADVANCED SCOPE TECHNOLOGY

Once in a great while, a product comes along that changes our attitudes, our perceptions, the very way we do things.

The B.E.A.S.T.™ is such a product. It is a riflescope years in development. It is a riflescope that many said was impossible to build, with capabilities thought to be beyond current technology.

The need—and desire—to shoot accurately at ever-increasing distances has, in recent years, led to improved bullet design, flatter-shooting calibers and advancements in rifle design, all intended to push the envelope of long-range precision.

This in turn has exposed the limitations of many riflescopes, whether in optical quality, speed, ease of use, or reliability.

The fact is, most manufacturers' riflescope technology has lagged behind the rest of the shooting industry. Except for Nightforce.

The B.E.A.S.T.™ will exceed the capability of any caliber and any rifle that exists today.

That is not an idle claim. It is fact. Read on for proof.

This beast is a beauty.

- INTELLIGENT i4F™ ELEVATION CONTROLS**
- XTREMESPEED™ ADJUSTMENTS**
- DIGILLUM™ DIGITAL ILLUMINATION**
- 90%+ TRUE-TO EYE LIGHT TRANSMISSION**
- EXCEPTIONAL CONTRAST & RESOLUTION**
- 34MM TUBE**
- FIRST FOCAL PLANE RETICLE**

B.E.A.S.T.™

BEST EXAMPLE OF ADVANCED SCOPE TECHNOLOGY



5-25 x 56 F1 B.E.A.S.T.™

Why is the most advanced riflescope on the market today called the B.E.A.S.T.™? It has nothing to do with size, weight, or appearance.

Our engineers were asked to do what was thought impossible... to create a riflescope the likes of which had never been built before. To invent radical new technologies that solve old problems inherent to competitor's products. And to include capabilities and features that for years had been nothing but pipe dreams.

Cut no corners, they were told. Not on materials, on quality, on workmanship, on durability. Conceive the ultimate riflescope, we asked them. Then build it.

It was a challenge so demanding, so taxing, at times so overwhelming, that the concept became known as "a beast," both for the difficulties it presented and for the times when it seemed they had created a monster.

When they succeeded, and it came time to give the newest Nightforce riflescope a name, nothing else seemed appropriate. "But we can't call a riflescope a "beast," some folks said. What does that stand for? What will customers think?

They'll think it stands for "Best Example of Advanced Scope Technology." Because that's what it is.

First focal plane precision

While locating a reticle in a riflescope's second focal plane is most common, a first focal plane location has distinct advantages to the accomplished shooter.

All reticle subtensions, whether in MOA or Mil-Radian configuration, remain in the same visual proportion to the target across the scope's entire magnification range. This makes a first focal plane reticle particularly effective for target holdovers, windage leads and range estimation. It eliminates a number of variables, resulting in greater speed and ultimately in greater accuracy in high-stress environments.



A COMBINATION OF TECHNOLOGY AND PERFORMANCE NEVER BEFORE PUT INTO A RIFLESCOPE.

The U.S. military spoke. We listened.

The playing field in warfare has changed.

Our military snipers are engaging targets at ever-increasing ranges; extremely difficult targets demanding levels of positive identification, accuracy and optical performance that were impossible with existing technology.

Recognizing this, the U.S. military threw out all the conventions associated with tactical day scopes, and requested a riflescope unlike any ever created.

Thus was born the B.E.A.S.T.™

New standards of resolution and clarity.

There are plenty of high-magnification variable power riflescopes on the market. But, magnification without extreme resolving power, razor-sharp clarity and superb contrast—even in dismal light—is of no value.

Military snipers are now called upon to positively identify targets and distinguish threats at distances measured in hundreds of meters. The slightest nuance in appearance can, for example, separate a legitimate IED threat from an innocent non-combatant.

The optical prescription and glass used in the B.E.A.S.T.™ was created through a collaboration between U.S. and German engineers, who were tasked with achieving resolution and clarity that surpassed that of any riflescope in the world.

They succeeded.

Intelligent and intuitive.

- XtremeSpeed™ adjustments provide 60 MOA (20 Mil-Radians) of elevation instantly in a single rotation
- Unique i4F™ intelligent four-function elevation control
- DigIllum™ digital illumination—externally controlled
- Proprietary 360° brake control allows you to instantly secure your elevation adjustments
- ZeroStop™ standard
- Available in MOA or Mil-Radian adjustments (see following pages)

The highest possible light transmission.

The professional sniper's world is one of shadow and darkness. Enemies intent upon doing harm are not in the habit of operating in broad daylight.

Thus, from day one, we knew that the B.E.A.S.T.™ had to outperform any other existing riflescope in poor light. And it does.

The B.E.A.S.T.™ achieves 90%+ light transmission—*approaching the maximum limit of what is physically possible. There is no such thing as 100% light transmission in a riflescope.* Only a handful of riflescopes in the world have ever topped the 90% figure, and the human eye can distinguish differences of approximately 3%. At first or last light, the B.E.A.S.T.™ can make the difference between a precise shot—or no shot at all.

Applicable to any tactical environment.

At just 15.37" in length, the B.E.A.S.T.™ is very compact relative to its power, allowing friendly attachment of thermal, night vision and other accessories.

On today's battlefield, our servicemen can find themselves in a firefight in a crowded, close-in urban environment, or engaging small targets at extreme distances... all in a single day. Our military requested one riflescope equally adept in every conceivable environment, and the B.E.A.S.T.™ 5-25x magnification range provides multi-scope capability in one sophisticated package.

BEAST™

BEST EXAMPLE OF ADVANCED SCOPE TECHNOLOGY

There has never been a riflescope like the B.E.A.S.T.™

Extraordinary light transmission. One-turn, 60 MOA elevation capability that meets or exceeds the *effective* range of any known cartridge, at extreme ranges.

The B.E.A.S.T.™ makes no compromises, no concessions. It is an investment that will pay dividends for years to come. . . long after less sophisticated scopes become obsolete.

Come to think of it, they already are.



Five advanced reticles are offered in the B.E.A.S.T.™, each designed to make maximum use of its first focal plane reticle location. We offer both MOA- and Mil-Radian-based reticles that combine unequalled precision with speed and ease of operation. Illumination is standard.

90%+ light transmission

The result of collaboration between U.S. and German optical engineers, the B.E.A.S.T.™ provides some of the highest light transmission values ever achieved in a riflescope.

MOA or Mil-Radian?

Your choice of MOA (.50 XtremeSpeed™/.250 fine elevation, .250 windage) or Mil-Radian (.2 Mil XtremeSpeed™/.1 Mil fine elevation, .1 Mil windage) adjustments.

i4F™ elevation controls

The B.E.A.S.T.™ i4F™ elevation system provides four separate elevation adjustment functions. It is lightning fast, completely intuitive, and not found on any other riflescope.

34mm tube

Provides maximum elevation adjustment range (120 MOA/34.9 Mil total).

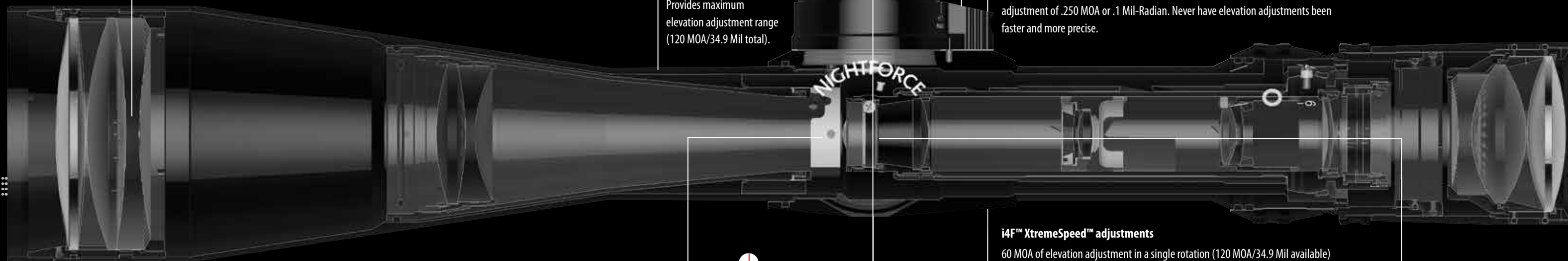
i4F™ and the B.E.A.S.T.™ 360° secondary zero brake control

Maybe your base zero, set with ZeroStop™, is reasonably close—for example, 150 meters. But suddenly, you anticipate engaging a number of targets at, for example, 750 meters. Dial the necessary elevation, press the button on top of the elevation knob, rotate the knob 90° turn counter-clockwise, and you've instantly set a positive, secure adjustment at that distance. To disengage, press the button again, turn the elevation knob 90° clockwise, and it's released. One-hand instant operation, no fumbling with complicated mechanisms, no time lost, no distraction from your target. Your ZeroStop™ zero point is unaffected.



i4F™ and M2™ precision elevation lever

Make your initial elevation adjustments instantly with the primary adjustment knob, in .50 MOA or .2 Mil-Radian increments. Then, for extreme precision, a simple throw of our fine adjustment lever provides an additional elevation adjustment of .250 MOA or .1 Mil-Radian. Never have elevation adjustments been faster and more precise.



Nightforce fully digital Digillum™ illuminated reticle technology is standard on the B.E.A.S.T.™. It will default to the previous setting you chose before turning it off. See page 15 for details.

i4F™ XtremeSpeed™ adjustments

60 MOA of elevation adjustment in a single rotation (120 MOA/34.9 Mil available) means you will never get "lost" or have to worry about color codes or other complicated mechanisms. 60 MOA—in a single turn—exceed the capability of any existing cartridge at maximum range. It is highly unlikely you will ever need more.

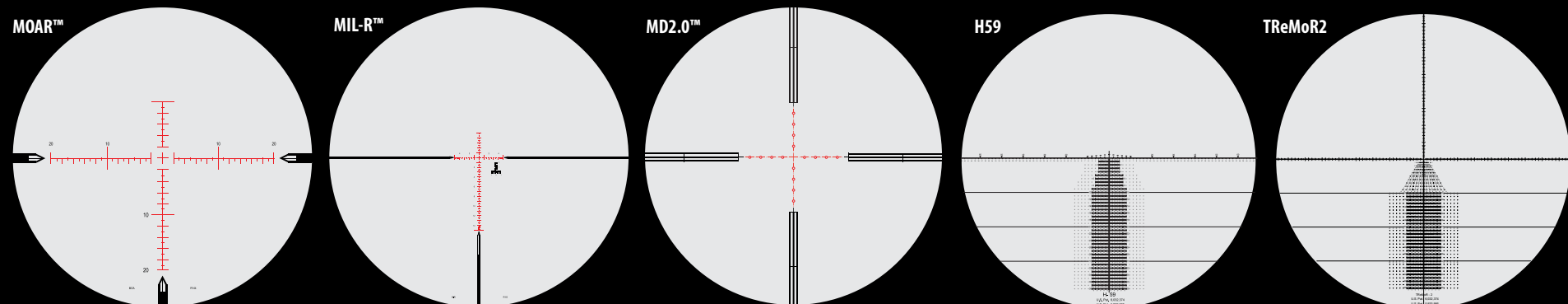
i4F™ and ZeroStop™

Our patented ZeroStop™ system (see page 15) allows you to return to your established zero point at any time, simply by feel. No guessing, no searching, no visual reference needed. It's included with the B.E.A.S.T.™



First focal plane reticle

First focal plane reticle subtensions remain in proportion to the target at any magnification allowing simpler target hold overs, windage leads and rangefinding.



The H59 and TReMoR2 are products of Horus Vision, LLC. All trademarks and copyrights apply.

ONLINE ACCURACY: THE VELOCITY™ RETICLE CALCULATOR

We've made long-range shooting a simpler science.

Imagine going on a hunt knowing you'll never have to guess at how much to hold over. Imagine having the confidence to shoot consistently and accurately, whatever your target, even at extreme ranges.

Nightforce Velocity™ reticles, in conjunction with our online calculator, make it a reality. If you're confident of the distance to your target, if you've practiced thoroughly during the off season, and if you've done your homework with us—consistent long-range accuracy is at your fingertips.

The unique online Nightforce Velocity™ Reticle Calculator was created to maximize the precision and effectiveness of Nightforce Velocity™ reticles. It will give you step-by-step instructions to establish your rifle's individual ballistic profile and match it with the correct Velocity™ reticle and scope. It will then give you a recommended sight-in distance to optimize your trajectory from 100 to 600 or 100 to 1000 yards, depending upon the Velocity™ reticle you choose.

We've done all the legwork.

The calculator has an extensive built-in library of factory loads. Handloaders will find a complete database of the most popular bullet brands and styles. Just pick your bullet, enter your muzzle velocity and click.

You can even enter atmospheric conditions specific to your area if you wish, or simply select our default conditions to get started.

The ultimate accuracy tool.

The Velocity™ Reticle Calculator instantly shows you standard deviation from a Velocity™ reticle's markings at all ranges in 100-yard increments. We'll make recommendations based upon our standard of less than .50 MOA deviation at any range you choose.

www.nightforceretidecalculator.com

Detailed information and tutorials on Nightforce products, including our Velocity™ reticles, can be found at www.nightforceoptics.com.

Simply select from the ballistic menu options, enter your muzzle velocity, and click to see the best Velocity™ reticle match.

Results are instantly matched to your rifle's ballistic profile. It will outline recommended scope/reticle combinations, suggested sight-in distance, and standard deviation in 100-yard increments.

Recommended Velocity 1000 Reticle

Velocity 1000 Reticle UNV

Ball Number	Description
1267	100 - 5.0-22x30mm - 240gr - .250 MOA - UNV
1375	100 - 5.0-22x30mm - 230gr - UNV
1377	100 - 5.0-22x30mm - 240gr - .250 MOA - UNV
1386	100 - 5.0-22x30mm - 230gr - UNV
1389	100 - 5.0-22x30mm - 240gr - .250 MOA - UNV
1423	100 - 5.0-22x30mm - 240gr - .250 MOA - UNV

For Optimum Results Sight In Center Crosshair @ 275 Yards

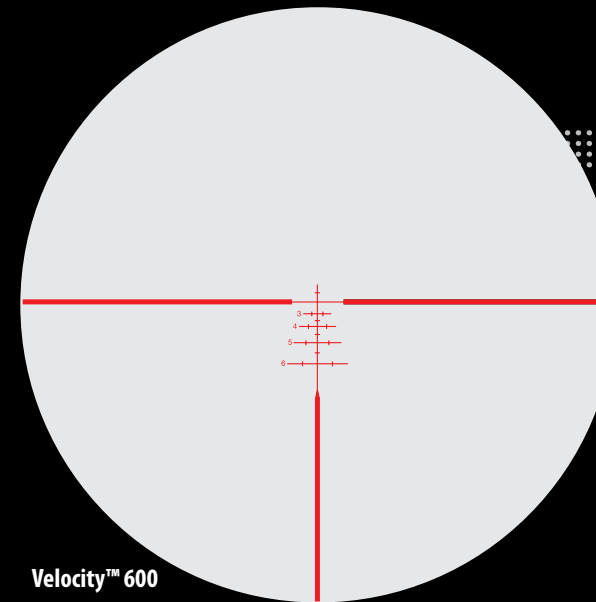
The results of the recommended velocity reticle calculation are:

Velocity 1000 Reticle User	Standard Deviation (Difference Between The Sub-Tension In The Reticle And Bullet Drop)	Optimum Sight-In
Range	200 Yard Zero (MOA)	175 Yard Zero (MOA)
100	-0.29	-0.3
200	0.0	-0.29
300	0.3	-0.1
400	0.33	0.01
500	0.44	0.15
600	0.51	0.22
700	0.46	0.18
800	0.29	0.1
900	0.15	-0.11
1000	-0.28	-0.48

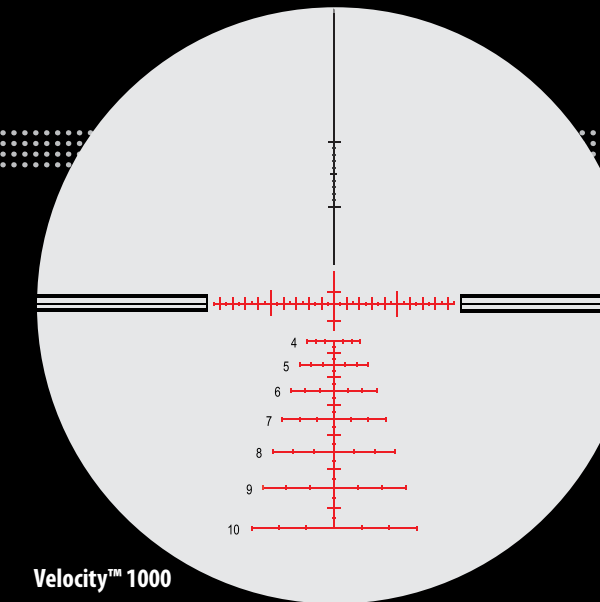
Input

Input	Value
Bullet Coefficient Type	G1
Bullet Caliber (in)	5.56
Bullet Weight (gr)	155
Manufacturer/Brand	Barnes
Bullet Type And BC Source	MS-07 - Factory V0
Bullet Coefficient	0.42
Muzzle Velocity (ft/s)	3450
Altitude (Feet)	2800
Temperature (Degrees F)	50
Pressure (in)	27.52
Humidity (%)	50

Please be aware that any changes to the inputs used above could result in performance changes of increased or decreased impact deviation.



Velocity™ 600



Velocity™ 1000

Nightforce Velocity™ reticles are the ultimate combination of ballistic and hunting reticles. They allow precise shot placement at long ranges with accurate holdovers, in a clean, uncluttered design that won't interfere with quick target acquisition and close-in shots under stress.

NIGHTFORCE VELOCITY™ RETICLES: A NEW CONCEPT IN SPEED AND ACCURACY.

The best of both worlds.

Professional, military and competition shooters have long appreciated the precision made possible by sophisticated ballistic reticles, especially at extreme ranges. But, for the hunter—or for any shooter for whom time is of the essence—traditional ballistic reticle designs are often too complicated, cumbersome, cluttered and slow for effective use in the field. Not any more.

Fast, foolproof and uncomplicated.

Our Velocity™ reticles solve the basic problems that have historically plagued the hunter when presented with a long shot. Now, there's no guessing. No difficult calculations. No estimating holdover. No counting elevation adjustments. Once you've determined the range to your target, simply choose the appropriate elevation/windage mark and hold dead on. They're up to twice as fast as ordinary ballistic reticles.

Tailored for your rifle and your load.

Some manufacturers tout "one-size-fits-all" ballistic reticle designs that require you to dial down your magnification (not a good idea when shooting at longer ranges), in an attempt to match their reticle's configuration to your rifle... hardly a recipe for speed or precision.

Our Velocity™ reticles are offered in several configurations based upon the muzzle velocity and caliber of your rifle. Virtually every modern rifle cartridge will mesh perfectly with one of our Velocity™ series, with minimal point-of-impact deviation.

On our website you'll find an online calculator in which you enter your chosen load's details. It instantly tells you which Velocity™ reticle is appropriate for your rifle, and provides an optimum sight-in distance to maximize your bullet's trajectory. Sight in your rifle according to these recommendations, and you won't have to worry about guessing at holdovers again.

Two versions, one result: Accuracy.

Nightforce Velocity™ reticles are offered in two basic styles: with 600-yard calibrations for our 2.5-10x 32 NXS Compact scopes, and with 1000-yard calibrations for our 3.5-15x and 5.5-22x NXS scopes. Like other Nightforce reticles, illumination is standard. In addition to holdover markings, windage compensation in 5 and 10 mph increments (up to 15 mph on the 1000-yard version) are clearly indicated.



Bob and Christine Beck of Extreme Outer Limits TV on their first long-range safari in Africa, where they put our Velocity™ 1000 yard reticle to the test.

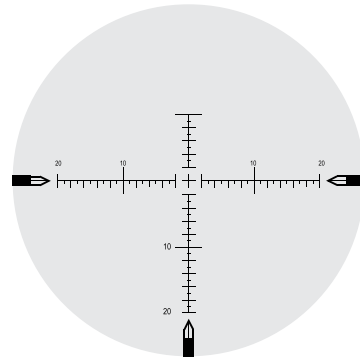
Visit www.nightforceoptics.com for detailed information and tutorials on our Velocity™ reticles.

NIGHTFORCE RETICLES

Most Nightforce reticles include reticle illumination at no extra cost. Illuminated portions of our reticles are shown enlarged in the lower illustrations.

Second focal plane reticles

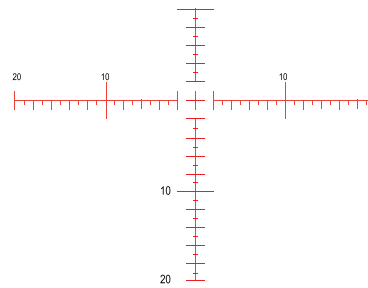
MOA-based



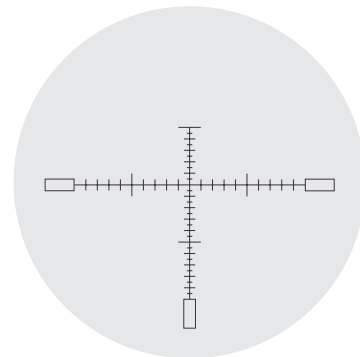
MOAR™

With 1 MOA elevation and windage markings, more accurate rangefinding and hold-offs are possible on smaller targets at longer ranges. Combined with a floating center crosshair, this makes for a reticle extremely fast and easy to use in the field. See page 17 for more information.

Field tactical
Long range hunting
Varmint shooting



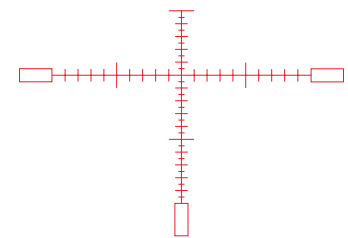
MOAR™ reticles in Nightforce 5.5-22x and 8-32x NXS models have a 20 MOA scale below centerline. Reticles in 3.5-15x models have an additional 10 MOA scale below center.



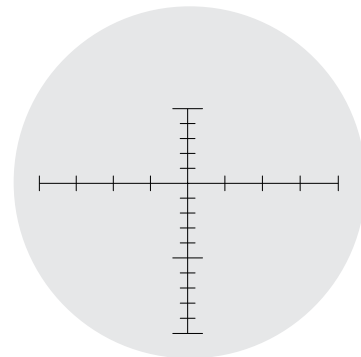
NP-R1™

1 MOA elevation spacing and 2 MOA windage spacing are ideal for precision long range shooting, benchrest and all-around use. The fine reticle subtensions are effective for rangefinding objects of various sizes.

Field tactical
Varmint shooting
Long range hunting



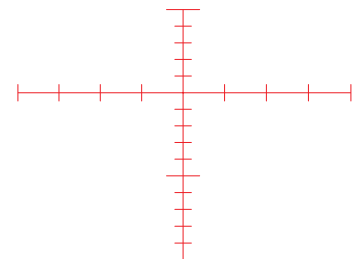
NP-R1™ reticles in Nightforce 5.5-22x and 8-32x NXS models have a 20 MOA scale below centerline. Reticles in 3.5-15x models have an additional 10 MOA scale below center.



NP-R2™

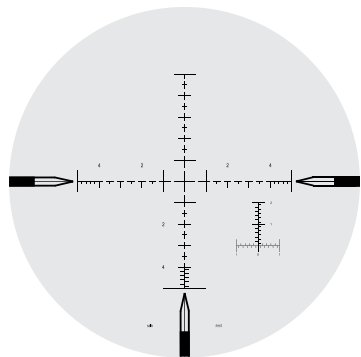
2 MOA elevation and 5 MOA windage increments allow for multiple zero and hold points along with accurate rangefinding. Excellent for long-range applications including big game hunting.

Field tactical
Varmint shooting
Long range hunting



NP-R2™ reticles in Nightforce 5.5-22x and 8-32x NXS models and 12-42x Benchrest models have a 20 MOA scale below centerline. Reticles in 3.5-15x models have an additional 10 MOA scale below center.

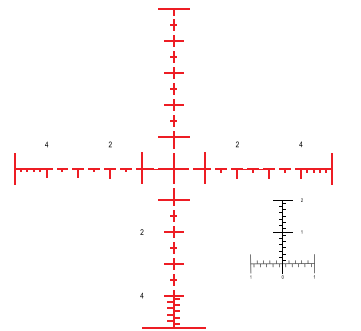
Mil-Radian--based



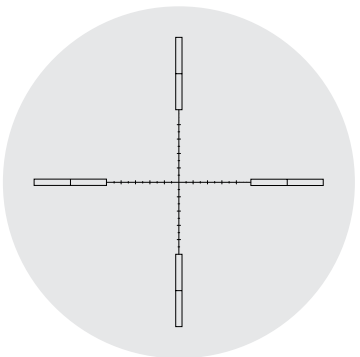
MIL-R™ New for 2013

The most advanced, intuitive Mil-Radian reticle on the market. 1.0 Mil floating center crosshair, complemented by whole, half, .2 and .1 Mil-Radian increments. Accurate hold offs, precise first-shot placement and quick followup shots. See page 17 for more information.

Field tactical
Long range hunting
Varmint shooting



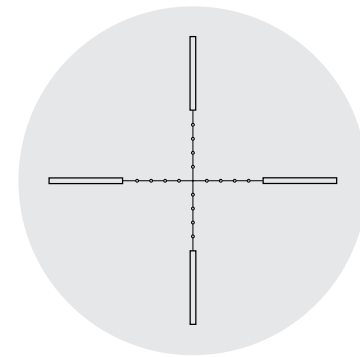
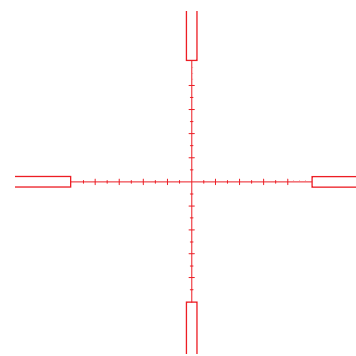
Please see page 29 for the 5-25 x 56 F1 B.E.A.S.T.™ MIL-R reticle configuration.



MLR™

.5 Mil and 1 Mil divisions allow for multiple zeroes, holdover, hold-under and windage adjustments without touching elevation or windage knobs. Excellent for range estimation.

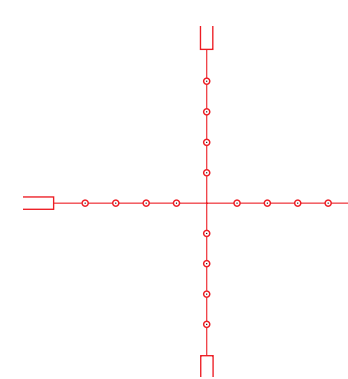
Field tactical
Long range hunting



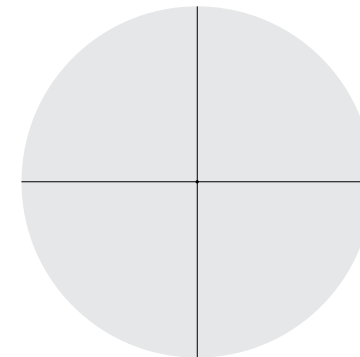
MIL-DOT

See-through dots and posts do not obscure target, allowing for more precise estimation of range. 1 mil spacing between dots (3.6" at 100 yards).

Field tactical



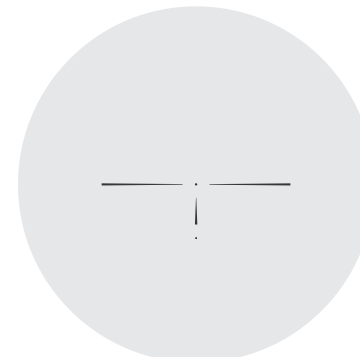
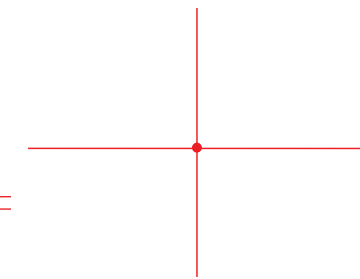
Competition/Target



CH-2™

Designed for long-range, high-power competition. .200 MOA dot on a .036 MOA crosshair (at 22x). Dot is calibrated for scored shooting on NRA high-power targets. Limited availability.

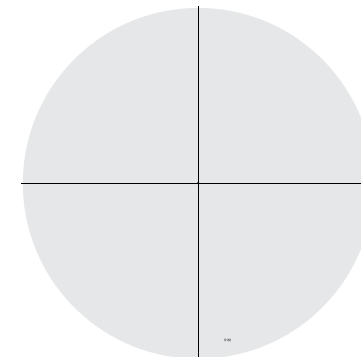
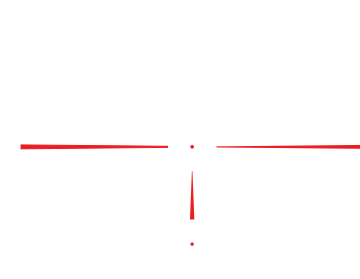
High-power competition



NP-2DD™

Unobstructed field of view and precise MOA reference markings serve the predator hunter and benchrest competitor equally well. Simple and effective at close and long ranges.

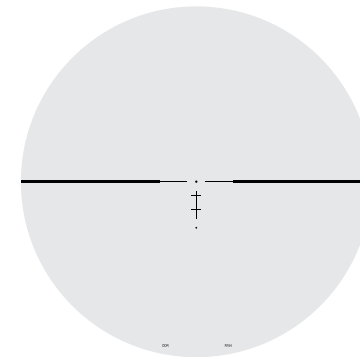
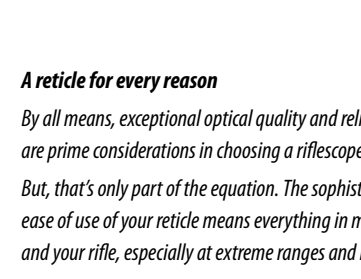
Varmint shooting
Competitive/target shooting



CTR-1™ New for 2013

Created for our new 15-55 x 52 Competition riflescope. A non-illuminated reticle, it has fine .016 MOA crosshairs with a .125 MOA center dot. Extremely precise at long ranges, with nothing to obscure your target.

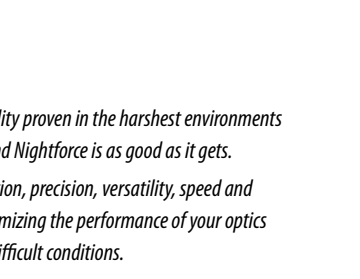
Competitive/target shooting



DDR™ New for 2013

Also developed for our 15-55 x 52 Competition riflescope, the DDR™ is a non-illuminated double-dot reticle with a .125 MOA center dot.

Competitive/target shooting



A reticle for every reason

By all means, exceptional optical quality and reliability proven in the harshest environments are prime considerations in choosing a riflescope, and Nightforce is as good as it gets.

But, that's only part of the equation. The sophistication, precision, versatility, speed and ease of use of your reticle means everything in maximizing the performance of your optics and your rifle, especially at extreme ranges and in difficult conditions.

Nightforce offers the most extensive selection of proprietary reticles—advanced designs you won't find anywhere else—of any riflescope company.

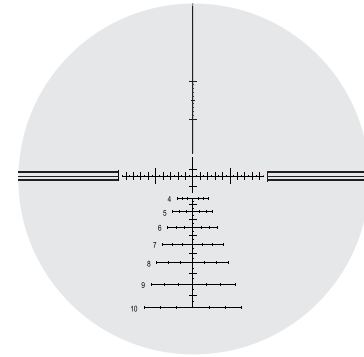
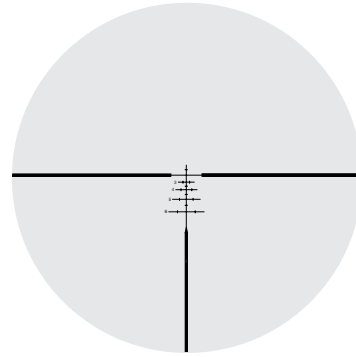
We wouldn't trust a Nightforce riflescope—or your potential—to anything less.

NIGHTFORCE RETICLES continued

Most Nightforce reticles include reticle illumination at no extra cost. Illuminated portions of our reticles are shown enlarged in the lower illustrations.

Second focal plane reticles

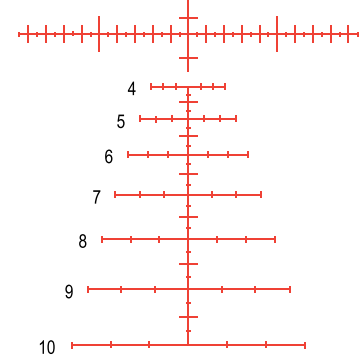
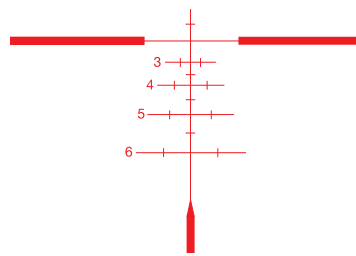
Velocity



Velocity™ 600 Yard

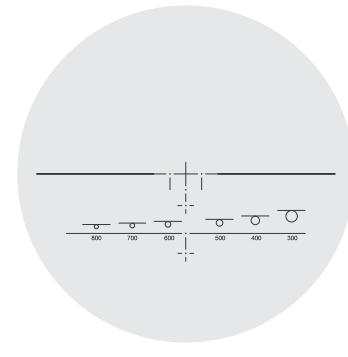
Precise shot placement to 600 yards with accurate holdovers. Low, medium and high velocity configurations. Available in our 2.5-10 x 32 NXS only. See page 31 for more information.

General hunting



Our Velocity Reticle Calculator at www.nightforcereticalecalculator.com will select the correct reticle for you and your rifle.

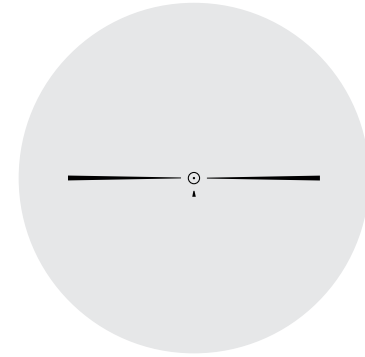
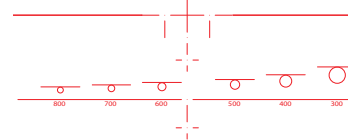
Specialty



NP-1RR™

Works on the principle of known target size to provide easy rangefinding and quick, accurate compensation for wind drift and bullet drop.

Varmint shooting

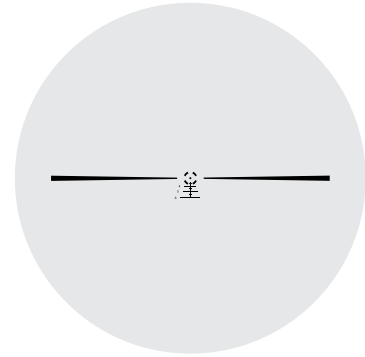


FC-2™

The center dot provides a precise aim point, while the larger circle gives a wider zone for fast or moving shots. The triangle under the circle can be used as a 10 MOA holdover point from center dot and as a ranging tool.

CQB

General hunting



FC-3G™ New for 2013

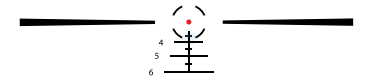
Created specifically for our 1-4 x 24 NXS and rifles with 16" barrels, providing accurate holdovers to 600 yards. 200-yard center dot zero, 10 mph windage holds. Optimized for most popular 5.56 NATO (.223 Rem.) and 7.62 NATO (.308 Win.) cartridges, it adds longer-range capability to one of our most versatile riflescopes.

Field tactical

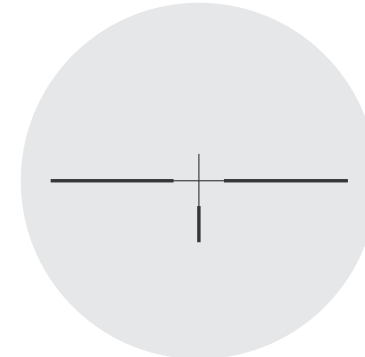
CQB

3 Gun

General hunting



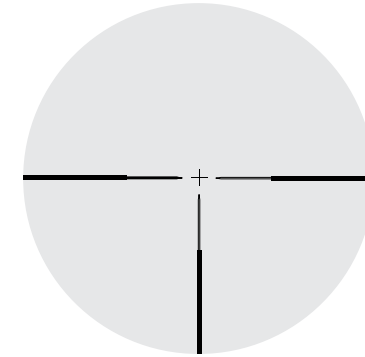
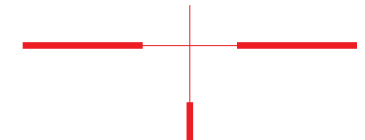
General purpose



NP-1™

Superior to duplex reticles, eliminating heavy posts that obstruct your view. The eye is directed to center for quick target acquisition.

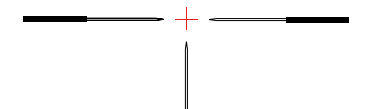
General hunting



IHR™ New for 2013

IHR stands for International Hunting Reticle, with good reason. It's uncluttered and lightning fast, equally effective on dangerous game in tight quarters and at longer ranges on smaller targets. A floating center crosshair provides simple hold off capability. 3, 6 and 9 o'clock posts bring the eye quickly to your target.

General hunting



Top-of-the-world trophy

Shaun Trudell and his father journeyed halfway around the world—by plane, car and horseback—for a chance at ibex in the Tien Shan Mountains of Kyrgyzstan. They would be hunting at a lung-busting elevation of 14,000 feet.

Shaun was using a HV.5 Velocity™ 1000 reticle in a Nightforce 5.5-22 x 56 NXS mounted on his .300 WSM. An accomplished long-range shooter, who routinely takes coyotes and big game at distances to 850 yards, he had studied the effect the high altitude would have on his ballistics.

Buffeted by wind, he spotted his ibex at 500 yards, held on the Velocity™ reticle's 475 yard line and 15 mph offset, and squeezed. Shaun could see a bright red spot blossom right behind the animal's shoulder, yet it continued standing. He fired again, placing a second shot within four inches of the first, and the goat dropped in its tracks.

Shaun uses his rifles equipped with Nightforce riflescopes on a daily basis in his line of duty. He says he has come to trust that Nightforce riflescopes will perform when he needs them, regardless of the conditions.

Our congratulations to Shaun. He is a perfect example of the importance of constant practice and familiarity with his equipment, and how that pays dividends when you have only one chance to make a perfect shot.



"I have been trusting Nightforce products for my training, business and competition needs for the last 12 years. As a precision rifle business catering to the law enforcement niche, I must have total trust in the glass KMW recommends to agencies and clients. As a competitor, I also demand dependability and performance from my own scope and optical components. In my opinion, Nightforce delivers that confidence so we can worry about solving problems downrange instead of worrying about equipment."

—Terry Cross

KMW—Long Range Solutions

SPECIFICATIONS



Objective outer diameter	30 mm	40 mm	59 mm	59 mm	59 mm	65 mm	65 mm	65 mm
Exit pupil diameter	1x: 16 mm 4x: 6 mm	2.5x: 13.3 mm 10x: 3.3 mm	3.5x: 14.3 mm 15x: 3.6 mm	3.5x: 11.5 mm 15x: 3.2 mm	5.5x: 9.1 mm 22x: 2.3 mm	5.5x: 10.2 mm 22x: 2.5 mm	8x: 7.0 mm 32x: 1.8 mm	5x: 10.52 mm 25x: 2.28 mm
Field of view @100 yards/100 meters	1x: 100 ft 4x: 25 ft 1x: 30.5 m 4x: 7.6 m	2.5x: 44 ft 10x: 11 ft 2.5x: 13.4 m 10x: 3.4 m	3.5x: 27.6 ft 15x: 7.3 ft 3.5x: 8.4 m 15x: 2.2 m	3.5x: 28 ft 15x: 8.7 ft 3.5x: 8.5 m 15x: 2.6 m	5.5x: 17.5 ft 22x: 4.7 ft 5.5x: 5.3 m 22x: 1.4 m	5.5x: 17.5 ft 22x: 4.7 ft 5.5x: 5.3 m 22x: 1.4 m	8x: 12.1 ft 32x: 3.1 ft 8x: 3.7 m 32x: 1 m	5x: 17.96 ft 25x: 4.92 ft 5x: 5.47 m 25x: 1.5 m
Eye relief	90 mm/3.5"	95 mm/3.7"	99 mm/3.9"	80 mm/3.15"	95 mm/3.7"	99 mm/3.9"	98 mm/3.8"	90 mm/3.54"
Internal adjustment range (MOA/Mil)	e: 100 MOA w: 100 MOA e: 27.3 MIL w: 27.3 MIL	e: 100 MOA w: 100 MOA e: 27.3 MIL w: 27.3 MIL	e: 110 MOA w: 80 MOA e: 30 MIL w: 21.8 MIL	e: 110 MOA w: 80 MOA e: 30 MIL w: 21.8 MIL	e: 100 MOA w: 60 MOA e: 27.3 MIL w: 16.4 MIL	e: 100 MOA w: 60 MOA e: 27.3 MIL w: 16.4 MIL	e: 65 MOA w: 45 MOA e: 17.7 MIL w: 12.3 MIL	e: 120 MOA w: 60 MOA e: 34.9 MIL w: 17.45 MIL
Click value	.250 MOA .1 MIL-RAD	.250 MOA .1 MIL-RAD	.250 MOA .1 MIL-RAD	.250 MOA .1 MIL-RAD	.250 MOA .1 MIL-RAD	.250 MOA .1 MIL-RAD	.125/ .250 MOA .1 MIL-RAD	.250 MOA .1 MIL-RAD
Tube diameter	30 mm/1.18"	30 mm/1.18"	30 mm/1.18"	30 mm/1.18"	30 mm/1.18"	30 mm/1.18"	30 mm/1.18"	34 mm/1.34"
Eyepiece outer diameter	40 mm	40 mm	43 mm	43 mm	43 mm	43 mm	43 mm	44 mm
Overall length (inches/mm)	8.8/224	12/305	14.7/373	14.8/376	15.1/384	15.2/386	15.9/404	14.3/363
Weight (ounces/grams)	17/482	19/539	30/850	30/850	31/879	32/907	34/964	38/1077
Mounting length (inches/mm)	5.4/137	5.7/145	6.1/155	6.2/157	6.6/168	6.6/168	6.7/170	6.13/156
Reticles available	FC-3G™ IHR™ FC-2™	IHR™ MOAR™ MIL-DOT LV™ MV™ HV™	MOAR™ NP-R1™ NP-R2™ MLR™ MIL-DOT LV.5™ MV.5™ HV™ HV.5™	NP-RF1™ MLR2.0™ MD2.0™ LV.5™ H59 (non-illuminated, low profile parallax adjustment)	MOAR™ NP-R1™ NP-R2™ MLR™ MIL-DOT	MOAR™ NP-1™ NP-R1™ NP-R2™ NP-R2™ MLR™ MIL-DOT	MOAR™ NP-R1™ NP-R2™ NP-2DD™ MLR™ MIL-DOT	MIL-R™ MOAR™
ZeroStop option available?	Yes	Yes	Yes	Standard	Yes	Yes	Yes	Standard



Specifications subject to change without notice. Visit www.NightforceOptics.com for current information.



Objective outer diameter	65 mm	65 mm	65 mm	61 mm
Exit pupil diameter	5x: 8.3 mm 25x: 2.3 mm	8x: 5.6 mm 32x: 1.7 mm	12x: 4 mm 42x: 1.4 mm	15x: 3.54 mm 55x: .93 mm
Field of view @100 yards/100 meters	5x: 18.7 ft 25x: 4.92 ft 5x: 5.7 m 25x: 1.45 m	8x: 9.4 ft 32x: 3.1 ft 8x: 2.9 m 32x: 1 m	12x: 6.7 ft 42x: 2.3 ft 12x: 2 m 42x: 0.7 m	15x: 6.91 ft 52x: 1.83 ft 15x: 2.10 m 52x: 0.55 m
Eye relief	85-90mm/3.35"-3.54"	75 mm/2.9"	75 mm/2.9"	80-90 mm/3.15"
Internal adjustment range (MOA/Mil)	e: 120 MOA w: 80 MOA e: 34.9 MIL w: 23.27 MIL	e: 50 MOA w: 50 MOA e: 13.6 MIL w: 13.6 MIL	e: 40 MOA w: 40 MOA e: 10.9 MIL w: 10.9 MIL	e: 60 MOA w: 60 MOA e: 16.4 MIL w: 16.4 MIL
Click value	.50 and .250 MOA .2 and .1 MIL-RAD	.125 MOA	.125 MOA	.125 MOA
Tube diameter	34 mm/1.34"	30 mm/1.18"	30 mm/1.18"	30 mm/1.18"
Eyepiece outer diameter	46 mm	43 mm	43 mm	43 mm
Overall length (inches/mm)	15.37/390	16.6/422	17/432	16.2/411
Weight (ounces/grams)	39/1097 (approximate)	36/1021	36/1021	27.87/790
Mounting length (inches/mm)	5.92/150	5.5/140	5.9/150	6.4/162
Reticles available	MOAR™ (F1) MIL-R™ (F1) TREMOR2 H59	NP-1RR™ NP-R2™ NP-2DD™ MIL-DOT	NP-R2™ NP-2DD™ MIL-DOT	CTR-1™ DDR™
ZeroStop option available?	Standard	No	No	No



Jeremy Chan is an up-and-coming young gunsmith, having completed the gunsmithing curriculum at Trinidad State Junior College at the top of his class. He is shown here with his finest creation to date, a custom 6mm BR Norma. "When I started building this gun I knew I would need a quality optic," Jeremy said, "and Nightforce was on the top of my list. I bought the best components when building this rifle. . . I knew I couldn't skimp on the optics." Judging from the outcome, Jeremy has a very bright future indeed.



ACCESSORIES/RINGS & BASES

The finest riflescope in the world is only as good as its mounts. Using inferior mounts is simply asking for trouble, as they can cause stress and alignment problems that are extremely difficult to diagnose. Large-caliber rifles producing heavy recoil can also wreak havoc on poor-quality mounts.

All Nightforce rings and bases exceed military design specifications. Whether you prefer traditional steel or our Ultralite™ rings, they are tough, utterly precise, and the perfect match for for Nightforce riflescope. They are an investment in a lifetime of accuracy.



THE ONLY POSSIBLE WAY TO IMPROVE A NIGHTFORCE RIFLESCOPE.



New! Nightforce 34mm Ultralite™ rings

Our superb Ultralite™ rings are now available in two styles for 34mm-tube riflescopes. Choose the four-screw version (left), or our six-screw design (right) that provides 50% more clamping force. Ideal for any 34mm riflescope, they are the perfect complement to our new 5-25 x 56 ATACR™ and B.E.A.S.T.™

Nightforce steel rings

We make Nightforce steel rings to our own stringent, uncompromising specifications. Designed to fit Mil. Std. 1913 bases, we machine a load-bearing recoil lug on the grade eight crossbolt.

This lug precisely matches the machined cross lug of our Nightforce bases, providing perfect alignment and superior accuracy. Our steel rings are offered in four heights for 30mm diameter tubes.

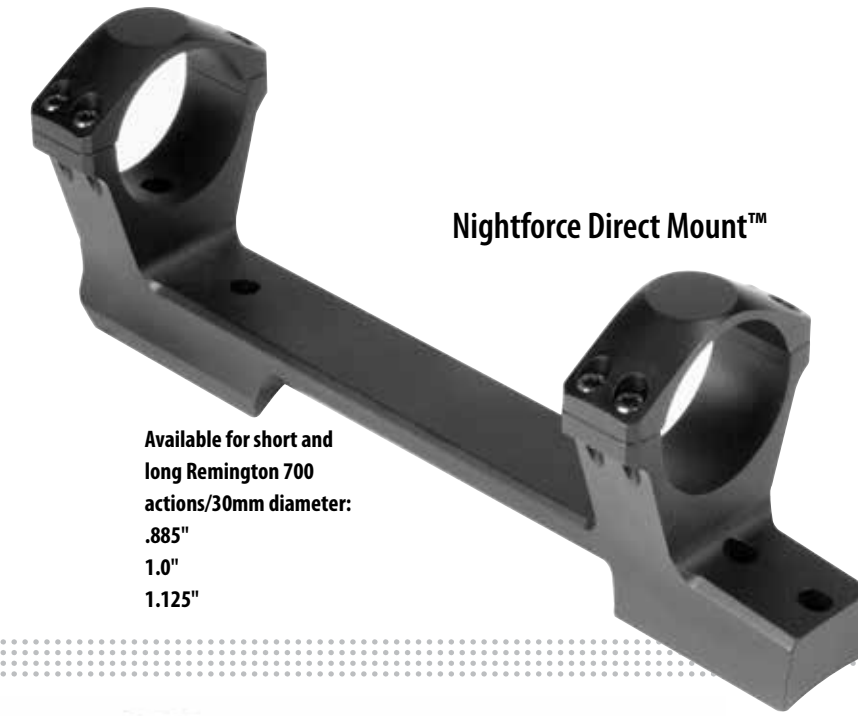


Available in four heights:
.885"
1.00"
1.125"
1.375"

Available in six heights:
.885" (30mm only)
1.00"
1.125"
1.265" (30mm only)
1.375"
1.50"

Nightforce Ultralite™ rings

Nightforce Ultralite™ rings give you the performance of steel at half the weight. They are crafted of CNC machined 7075-T6 hard anodized black aluminum bodies with titanium beta series crossbolts and jaws. This unique construction provides exceptional strength well beyond that normally found in lightweight rings. Our Ultralite™ rings are offered in six heights for 30mm tubes, and in four heights to fit 34mm tubes.



Nightforce Direct Mount™

Available for short and long Remington 700 actions/30mm diameter:
.885"
1.0"
1.125"

The ultimate mounting solution for a dedicated scope/rifle combination.

With fewer moving parts, the Nightforce Direct Mount™ is more reliable and up to 45% lighter in weight than traditional mounting systems. It is, quite simply, the finest mount for Remington 700 actions ever made.

The Direct Mount™ one-piece system, built to mount directly to Remington 700 short or long actions, ensures true alignment and maximum strength for precision shooting.

The base and integral rings are CNC machined to precise tolerances from 7075-T6 hard anodized

aluminum, providing exceptional strength while reducing weight.

The Direct Mount's 20 MOA taper maximizes internal riflescope adjustment and long-range capability. It incorporates an integral recoil lug which prevents any movement of the base or stress on the screws while subjected to harsh recoil.

The Nightforce Direct Mount™ eliminates most common mounting problems. Alignment concerns vanish, and there is no need for lapping or cants. The entire mounting process is simpler and faster.



Nightforce Ultralite™ Unimount™

Available in three heights/30mm diameter:
1.125"
1.375"
1.50"
1.375" Extended

Available in 34mm diameter, 1.44" height, in both Unimount™ and Extended Unimount.™

When a tough, reliable mounting system is required without adding substantial weight, the Nightforce Ultralite™ Unimount™ is the answer. It features a CNC machined 7075-T6 hard anodized aluminum body and titanium beta series crossbolts and jaws.

This unique construction combined with our state-of-the-art design provides the performance of steel at half the weight.

The Nightforce Unimount™ is designed to remain attached to the scope at all times, allowing quick removal and installation on different firearms.

It is the most accurate Mil. Std. 1913 mount available, incorporating a 20 MOA taper to maximize long-range capability (The Unimount™ MagMount™ has a zero degree taper). The Unimount™ is the ultimate mount for attaching to weapons with an integral Mil. Std. 1913 flat top-type receiver.

Precise tolerances ensure that the riflescope is not subjected to stress, strain or bending as the ring screws are tightened.



The Ultralite™ Extended Unimount™ is designed for shorter receivers and can provide additional eye relief.



Integral recoil lugs provide rock-solid security on 1913-style receivers.

The Ultralite™ MagMount™ adds a third crossbolt for even greater protection against recoil. It is offered in 1.375" height/30mm diameter and 1.44" height/34mm diameter versions. The 1.44" height of the 34mm MagMount™ allows clearance of 56mm objective riflescopes when mounted on a continuous rail. MagMounts™ have a zero degree taper.



ACCESSORIES

Our bases are precision CNC machined from a single billet of steel. They are designed to match the receiver contour, ensuring straight and true alignment. This also reduces the amount of internal adjustment required when zeroing your rifle. All Nightforce rings and bases exceed military design specifications. They are tough, reliable, utterly precise, and are the perfect match for your Nightforce riflescope.

Nightforce one-piece tapered steel bases

An integral recoil lug machined on the bottom of the base (Rem 700 and HS/700) provides a precise fit when bedded to rifle actions, preventing any movement of the base and eliminating recoil stress on screws holding the base to the receiver.

Our one-piece bases are machined to exact Mil. Std. 1913 specification rail dimensions. This design allows the same scope to be used on several different rifles, always optimizing eye relief. A 20 Minute of Angle (MOA) taper is standard, with a 40 MOA taper offered for Remington 700 bases. Designed for right- or left-hand actions, our bases are designed not to interfere with loading or extraction.

Nightforce two-piece tapered steel bases

Also made to Mil. Std. 1913 specifications, our two-piece bases are machined with a 20 MOA taper and finished with a matte black mil-spec coating. Allows mounting of scope to retain the maximum amount of internal elevation adjustment. This will allow you to shoot further and still maintain a 100 yard or less zero.

Nightforce gunsmith bases (steel or aluminum alloy)

These Mil. Std. 1913 base blanks allow you to customize the length, height, radius and hole spacing to your specific application. Standard taper is 20 MOA.



Nightforce Angle Degree Indicator with Mount

The Nightforce Angle Degree Indicator takes the guesswork out of uphill and downhill shots. Calibrated in degrees, it gives you an instant readout. It is available in two versions: (1) a two-piece, low-profile Mil-Std. 1913 mount for one-piece bases that allows easy installation without removing the scope (shown above); and (2) as part of our 30mm top ring bubble level system (below). It is simple, robust, and requires no batteries. Available in right-hand or left-hand rifle action configurations.



Top ring bubble level/ADI

Replaces the top ring of our 30mm Unimount™, Direct Mount™, Ultralite™ and steel rings. Available with integral Angle Degree Indicator mount or as top ring/bubble level only.



Top ring bubble level shown installed A128

The Bubble Level with integral ADI mount (A129) can be turned either way for left- or right-handed actions. The ADI itself must be ordered separately for left-handed (A119) or right-handed (A122) actions to ensure accurate readouts.



Bubble level, ADI mount and ADI installed A129 + A122 (sold separately)



Nightforce apparel

T-Shirts

Nightforce logo on front, AR-themed artwork on back. Green, khaki and black, sizes M, L, XL, XXL AND XXXL.



Caps

Green, khaki and black with Nightforce logo on front. Complete with American flag and hanging loop on back. Low profile, ripstop texture.



Nightforce torque wrench

The perfect tool to ensure proper tightening of rings, bases, and other precision accessories to recommended specifications. Equal to 68 inch/lbs.



Nightforce cleaning kit

Everything you need to keep your optics in pristine condition. Includes soft lens brush, approved cleaning solution and microfiber cleaning cloth. Stores in handy travel case. Highly recommended for any fine optics.



PRODUCT REFERENCE

Part No. Product description
Optics



NXS Compact models—second focal plane reticles

C451	NXS - 1-4x24mm - .250 MOA - FC-3G - NVD - PTL	NEW
C452	NXS - 1-4x24mm - .250 MOA - IHR - NVD - PTL	NEW
C463	NXS - 1-4x24mm - .250 MOA - FC-2 - NVD - PTL	NEW
C464	NXS - 1-4x24mm - ZeroStop - .250 MOA - FC-3G - NVD - PTL	NEW
C465	NXS - 1-4x24mm - ZeroStop - .250 MOA - IHR - NVD - PTL	NEW
C466	NXS - 1-4x24mm - ZeroStop - .250 MOA - FC-2 - NVD - PTL	NEW
C456	NXS - 2.5-10x32mm - .250 MOA - IHR - NVD - PTL	NEW
C468	NXS - 2.5-10x32mm - .250 MOA - MOAR - NVD - PTL	NEW
C470	NXS - 2.5-10x32mm - .250 MOA - Mil-Dot - NVD - PTL	NEW
C471	NXS - 2.5-10x32mm - .250 MOA - LV - NVD - PTL	NEW
C472	NXS - 2.5-10x32mm - .250 MOA - MV - NVD - PTL	NEW
C473	NXS - 2.5-10x32mm - .250 MOA - HV - NVD - PTL	NEW
C455	NXS - 2.5-10x32mm - ZeroStop - .250 MOA - MOAR - NVD - PTL	NEW
C474	NXS - 2.5-10x32mm - ZeroStop - .250 MOA - IHR - NVD - PTL	NEW
C475	NXS - 2.5-10x32mm - ZeroStop - .250 MOA - LV - NVD - PTL	NEW
C476	NXS - 2.5-10x32mm - ZeroStop - .250 MOA - MV - NVD - PTL	NEW
C477	NXS - 2.5-10x32mm - ZeroStop - .250 MOA - HV - NVD - PTL	NEW
C453	NXS - 2.5-10x32mm - ZeroStop - .250 MOA - Mil-Dot - NVD - PTL	NEW
C454	NXS - 2.5-10x32mm - ZeroStop - .1 Mil-Radian - Mil-Dot - NVD - PTL	NEW



NXS 15x models—second focal plane reticles

C427	NXS - 3.5-15x50mm - .250 MOA - MOAR	
C130	NXS - 3.5-15x50mm - .250 MOA - NP-R1	
C131	NXS - 3.5-15x50mm - .250 MOA - NP-R2	
C141	NXS - 3.5-15x50mm - .250 MOA - MLR	
C135	NXS - 3.5-15x50mm - .250 MOA - Mil-Dot	
C429	NXS - 3.5-15x50mm - ZeroStop - .250 MOA - MOAR	
C133	NXS - 3.5-15x50mm - ZeroStop - .250 MOA - NP-R1	
C134	NXS - 3.5-15x50mm - ZeroStop - .250 MOA - NP-R2	
C144	NXS - 3.5-15x50mm - ZeroStop - .250 MOA - MLR	
C136	NXS - 3.5-15x50mm - ZeroStop - .250 MOA - Mil-Dot	
C393	NXS - 3.5-15x50mm - ZeroStop - .250 MOA - LV.5	
C394	NXS - 3.5-15x50mm - ZeroStop - .250 MOA - MV.5	

Part No. Product description

C395	NXS - 3.5-15x50mm - ZeroStop - .250 MOA - HV	
C396	NXS - 3.5-15x50mm - ZeroStop - .250 MOA - HV.5	
C132	NXS - 3.5-15x50mm - ZeroStop - .1 Mil-Radian - MLR	
C142	NXS - 3.5-15x50mm - ZeroStop - .1 Mil-Radian - Mil-Dot	



**NXS F1 15x models—second focal plane reticles
ZeroStop™ and A101 Ultralite™ rings included**

C355	NXS - 3.5-15x50mmF1 - Zerostop - .250 MOA - NP-RF1	
C356	NXS - 3.5-15x50mmF1 - Zerostop - .250 MOA - LV.5	
C359	NXS - 3.5-15x50mmF1 - Zerostop - .1 Mil-Radian - MLR2.0	
C360	NXS - 3.5-15x50mmF1 - Zerostop - .1 Mil-Radian - MD2.0	
C442	NXS - 3.5-15x50mmF1 - ZeroStop - .1 Mil-Radian - H59 (non Illum)	NEW



NXS 22x models—second focal plane reticles

C431	NXS - 5.5-22x50mm - .250 MOA - MOAR	
C197	NXS - 5.5-22x50mm - .250 MOA - NP-R1	
C193	NXS - 5.5-22x50mm - .250 MOA - NP-R2	
C207	NXS - 5.5-22x50mm - .250 MOA - MLR	
C204	NXS - 5.5-22x50mm - .250 MOA - Mil-Dot	
C433	NXS - 5.5-22x50mm - ZeroStop - .250 MOA - MOAR	
C194	NXS - 5.5-22x50mm - ZeroStop - .250 MOA - NP-R1	
C195	NXS - 5.5-22x50mm - ZeroStop - .250 MOA - NP-R2	
C205	NXS - 5.5-22x50mm - ZeroStop - .250 MOA - Mil-Dot	
C202	NXS - 5.5-22x50mm - ZeroStop - .1 Mil-Radian - MLR	
C196	NXS - 5.5-22x50mm - ZeroStop - .1 Mil-Radian - Mil-Dot	
C432	NXS - 5.5-22x56mm - .250 MOA - MOAR	
C245	NXS - 5.5-22x56mm - .250 MOA - NP-1	
C230	NXS - 5.5-22x56mm - .250 MOA - NP-R1	
C231	NXS - 5.5-22x56mm - .250 MOA - NP-R2	
C238	NXS - 5.5-22x56mm - .250 MOA - MLR	
C239	NXS - 5.5-22x56mm - .250 MOA - Mil-Dot	
C434	NXS - 5.5-22x56mm - ZeroStop - .250 MOA - MOAR	
C222	NXS - 5.5-22x56mm - ZeroStop - .250 MOA - NP-1	
C236	NXS - 5.5-22x56mm - ZeroStop - .250 MOA - NP-R1	
C234	NXS - 5.5-22x56mm - ZeroStop - .250 MOA - NP-R2	

Part No. Product description

C243	NXS - 5.5-22x56mm - ZeroStop - .250 MOA - Mil-Dot	
C374	NXS - 5.5-22x56mm - ZeroStop - .250 MOA - HV.5	
C375	NXS - 5.5-22x56mm - ZeroStop - .250 MOA - HVM	
C376	NXS - 5.5-22x56mm - ZeroStop - .250 MOA - HVM.5	
C377	NXS - 5.5-22x56mm - ZeroStop - .250 MOA - UHV	
C378	NXS - 5.5-22x56mm - ZeroStop - .250 MOA - UHV.5	
C237	NXS - 5.5-22x56mm - ZeroStop - .1 Mil-Radian - MLR	
C244	NXS - 5.5-22x56mm - ZeroStop - .1 Mil-Radian - Mil-Dot	



NXS 32x models – second focal plane reticles

C438	NXS - 8-32x56mm - .250 MOA - MOAR	
C307	NXS - 8-32x56mm - .250 MOA - NP-R1	
C312	NXS - 8-32x56mm - .250 MOA - NP-2DD	
C308	NXS - 8-32x56mm - .250 MOA - Mil-Dot	
C437	NXS - 8-32x56mm - ZeroStop - .250 MOA - MOAR	
C348	NXS - 8-32x56mm - ZeroStop - .250 MOA - NP-R1	
C349	NXS - 8-32x56mm - ZeroStop - .250 MOA - NP-R2	
C350	NXS - 8-32x56mm - ZeroStop - .250 MOA - NP-2DD	
C317	NXS - 8-32x56mm - .125 MOA - NP-R1	
C320	NXS - 8-32x56mm - .125 MOA - NP-R2	
C322	NXS - 8-32x56mm - .125 MOA - NP-2DD	
C353	NXS - 8-32x56mm - ZeroStop - .1 Mil-Radian - MLR	
C354	NXS - 8-32x56mm - ZeroStop - .1 Mil-Radian - Mil-Dot	



ATACR™ 25x models - second focal plane reticles - 34mm tube

C445	ATACR™ - 5-25x56mm - Zerostop - .250 MOA - MOAR	NEW
C446	ATACR™ - 5-25x56mm - Zerostop - .1 Mil-Radian - Mil-R	NEW

Part No. Product description



**B.E.A.S.T.™ 5-25x F1 models - first focal plane reticles
ZeroStop™ included**

C450	B.E.A.S.T.™ 5-25x56mmF1 - ZeroStop - i4F™ - MOA - Brake - MOAR	NEW
C448	B.E.A.S.T.™ 5-25x56mmF1 - ZeroStop - i4F™ - Mil-Radian - Brake - Mil-R	NEW
C489	B.E.A.S.T.™ 5-25x56mmF1 - ZeroStop - i4F™ - Mil-Radian - Brake - Tremor 2	NEW
C449	B.E.A.S.T.™ 5-25x56mmF1 - ZeroStop - i4F™ - Mil-Radian - Brake - H59	NEW



Benchrest 32x model - second focal plane reticles

C115	NF - 8-32x56mm - .125 MOA - NP-1RR	
C112	NF - 8-32x56mm - .125 MOA - NP-R2	
C111	NF - 8-32x56mm - .125 MOA - NP-2DD	
C109	NF - 8-32x56mm - .125 MOA - Mil-Dot	



Benchrest 42x model - second focal plane reticles

C104	NF - 12-42x56mm - .125 MOA - NP-R2	
C107	NF - 12-42x56mm - .125 MOA - NP-2DD	
C102	NF - 12-42x56mm - .125 MOA - Mil-Dot	



Competition™ 55x model - second focal plane reticles

C490	Competition™ - Silver - 15-55x52mm - .125 MOA - DDR	NEW
C491	Competition™ - Silver - 15-55x52mm - .125 MOA - CTR-1	NEW
C492	Competition™ - Black - 15-55x52mm - .125 MOA - DDR	NEW
C457	Competition™ - Black - 15-55x52mm - .125 MOA - CTR-1	NEW

Part No. Product description
Accessories

30mm accessories



Nightforce rings (steel)

A117	Ring Set - .885" Low - 30mm - Steel	
A100	Ring Set - 1.00" Medium - 30mm - Steel	
A104	Ring Set - 1.125" High - 30mm - Steel	
A109	Ring Set - 1.375" X-High - 30mm - Steel	



Nightforce Ultralite™ rings - 30mm (titanium/alloy)

A118	Ring Set - .885" Low - 30mm - Ultralite™	
A101	Ring Set - 1.00" Medium - 30mm - Ultralite™	
A107	Ring Set - 1.125" High - 30mm - Ultralite™	
A108	Ring Set - 1.265" Intermediate - 30mm - Ultralite™	
A110	Ring Set - 1.375" X-High - 30mm - Ultralite™	
A203	Ring Set - 1.50" Extreme - 30mm - Ultralite™	



Ultralite™ Unimount™ 30mm (titanium/alloy)

A190	Unimount™ 1.125" - 20 MOA - 30mm	
A191	Unimount™ 1.375" - 20 MOA - 30mm	
A221	Unimount™ 1.5" - 20 MOA - 30mm	NEW
A192	Extended Unimount™ 1.375" - 20 MOA - 30mm	NEW



Ultralite™ One-Piece MagMount™ 30mm (titanium/alloy)

A256	Magmount™ 1.375" - 0 MOA - 3 Jaw/Nut - 30mm	NEW
<i>Above items mount to 1913 Mil-Standard rail/base</i>		

Part No. Product description



Nightforce Direct Mount™ 30mm (titanium/alloy)

A220	Direct Mount - Rem 700 SA -.885" Low - 20 MOA - 30mm	NEW
A103	Direct Mount - Rem 700 SA 1.0" Med. - 20 MOA - 30mm	
A106	Direct Mount - Rem 700 SA 1.125" High - 20 MOA - 30mm	
A219	Direct Mount - Rem 700 LA -.885" Low - 20 MOA - 30mm	NEW
A102	Direct Mount - Rem 700 LA 1.0" Med. - 20 MOA - 30mm	
A105	Direct Mount - Rem 700 LA 1.125" High - 20 MOA - 30mm	
<i>Direct Mount attaches to respective Remington 700 actions</i>		

34mm accessories



Nightforce Ultralite™ rings - 34mm (titanium/alloy)

A223	Ring Set - 1.00 Medium - 34mm - Ultralite™, 4 Bolt	NEW
A224	Ring Set - 1.125 High - 34mm - Ultralite™, 4 Bolt	NEW
A226	Ring Set - 1.375 X-High - 34mm - Ultralite™, 4 Bolt	NEW
A227	Ring Set - 1.50 Extreme - 34mm - Ultralite™, 4 Bolt	NEW
A208	Ring Set - 1.00 Medium - 34mm - Ultralite™, 6 Bolt	NEW
A210	Ring Set - 1.125 High - 34mm - Ultralite™, 6 Bolt	NEW
A214	Ring Set - 1.375 X-High - 34mm - Ultralite™, 6 Bolt	NEW
A216	Ring Set - 1.500 X-Treme - 34mm - Ultralite™, 6 Bolt	NEW



Ultralite™ Unimount™ - 34mm (titanium/alloy)

A194	Extended Unimount™ 1.44" - 20 MOA - 34mm	NEW
A257	Unimount™ 1.44" - 20 MOA - 34mm	NEW

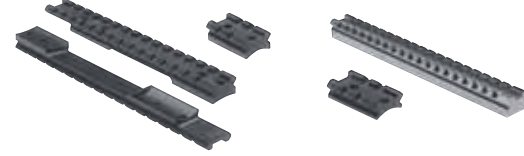


Ultralite™ One-piece MagMount™ - 34mm (titanium/alloy)

A162	MagMount™ 1.44" - 0 MOA - 3 Jaw/Nut - 34mm	NEW
<i>Above items mount to 1913 Mil-Standard rail/base</i>		

PRODUCT REFERENCE

Part No. Product description



Nightforce bases (steel)	
A115	Base - Rem 700 SA - 1 pc. - 20 MOA
A116	Base - Rem 700 SA - 1 pc. - 40 MOA
A112	Base - Rem 700 LA - 1 pc. - 20 MOA
A113	Base - Rem 700 LA - 1 pc. - 40 MOA
A114	Base - Rem 700 SA - 2 pc. - 20 MOA
A111	Base - Rem 700 LA - 2 pc. - 20 MOA
A146	Base - HS 700 SA - 1 pc. - 20 MOA (8-40 screws)*
A150	Base - HS 700 SA - 1 pc. - 40 MOA (8-40 screws)*
A135	Base - HS 700 LA - 1 pc. - 20 MOA (8-40 screws)*
A139	Base - HS 700 LA - 1 pc. - 40 MOA (8-40 screws)*
A198	Base - Win 70 SA - 1 pc. - 20 MOA
A196	Base - Win 70 LA - 1 pc. - 20 MOA
A199	Base - Win 70 Short Mag - 1 pc. - 20 MOA
A168	Base - Sav SA New Style - 1 pc. - 20 MOA (6-48 screws)
A165	Base - Sav LA New Style - 1 pc. - 20 MOA (6-48 screws)
A229	Base - Sav SA New Style - 2 pc. - 20 MOA (6-48 screws)
A222	Base - Sav LA New Style - 2 pc. - 20 MOA (6-48 screws)
A131	Aluminum - 1 pc. Blank - 20 MOA
A132	Steel - 1 pc. Blank - 20 MOA

*Does not mount on left-hand HS Precision bolt actions



Miscellaneous accessories	
A128	Top Half of Ring w/ Level
A129	Top Half of Ring w/ Level & Mount
A119	Angle Degree Indicator - LH (For left-hand actions)
A122	Angle Degree Indicator - RH (For right-hand actions)
A120	Angle Degree Indicator w/ Mount - LH (For left-hand actions)
A121	Angle Degree Indicator w/ Mount - RH (For right-hand actions)
A163	1913 Mil-Spec Mount for Angle Degree Indicator
A179	Torque Wrench - 68 Inch/Lb
A130	Optical Cleaning Kit
A133	Fob Lens Cloth

Part No. Product description



Nightforce spare components	
A127	Metal lens caps for NF models (set)
A260	Metal lens caps for COMPETITION models (set)
A200	Rubber lens caps - NXS 24mm (set)
A259	Rubber lens caps - NXS 32mm (set)
A201	Rubber lens caps - NXS 50mm (set)
A202	Rubber lens caps - NXS 56mm (set)
V623	NF 3" sunshade
V171	NXS 3" sunshade - 50mm
V310	NXS 3" sunshade - 56mm
A263	COMPETITION 3" sunshade - 52mm

Factory conversions/modifications (call for RMA code)

LS100	.250 MOA ZeroStop
LS102	.1 Mil-Radian ZeroStop
LS103	Reticle Change - 2nd Focal Plane - NXS
LS109	Reticle Change - 2nd Focal Plane - ATACR
LS104	Reticle Change - 1st Focal Plane - NXS
LS110	Reticle Change - 1st Focal Plane - NXS - Horus H59
LS111	Reticle Change - 1st Focal Plane - B.E.A.S.T.
LS112	Reticle Change - 1st Focal Plane - B.E.A.S.T. - Horus H59
LS113	Reticle Change - 1st Focal Plane - B.E.A.S.T. - TREMOR 2
LS106	.250 MOA Hi-Speed Conversion (20 MOA Per Revolution)
LS107	.125 MOA Hi-Speed Conversion (10 MOA Per Revolution)



Nemo Omen

Part No. Product description



Apparel	
Hats	
A251	Hat, Black Ripstop, Embroidered NEW
A252	Hat, Tan Ripstop, Embroidered NEW
A253	Hat, OD Green Ripstop, Embroidered NEW
A255	Hat, OD Green Ripstop, MIL-GOV-LE, Embroidered NEW



T-Shirts	
A172	T-Shirt, Medallion, Black, Medium
A171	T-Shirt, Medallion, Black, Large
A173	T-Shirt, Medallion, Black, X-Large
A169	T-Shirt, Medallion, Black, XX-Large
A170	T-Shirt, Medallion, Black, XXX-Large
A232	T-Shirt, AR-themed, Black, Medium NEW
A233	T-Shirt, AR-themed, Black, Large NEW
A234	T-Shirt, AR-themed, Black, XL NEW
A235	T-Shirt, AR-themed, Black, XXL NEW
A236	T-Shirt, AR-themed, Black, XXX NEW
A238	T-Shirt, AR-themed, Khaki, Medium NEW
A239	T-Shirt, AR-themed, Khaki, Large NEW
A240	T-Shirt, AR-themed, Khaki, XL NEW
A241	T-Shirt, AR-themed, Khaki, XXL NEW
A242	T-Shirt, AR-themed, Khaki, XXXL NEW
A244	T-Shirt, AR-themed, Green, Medium NEW
A245	T-Shirt, AR-themed, Green, Large NEW
A246	T-Shirt, AR-themed, Green, XL NEW
A247	T-Shirt, AR-themed, Green, XXL NEW
A248	T-Shirt, AR-themed, Green, XXXL NEW



Almost the entire United States F-Class Open Rifle Team continues to rely upon Nightforce in all major matches, including the World Championships.



Stag party

"On the fifth day of my [New Zealand] hunt, and less than 10 days into owning my Nightforce scope, I made the longest shot of my entire life, collecting one of the more rare and hard-to-get species in the world, an excellent Rusa stag.

"The only opportunity had the entire week was across a mountain at a ranged 536 yards. It was watching us closely and there was simply no opportunity for a closer shot.

"He collapsed where he stood."

—Brice Folden, Wild TV



Northernmost Nightforce

One of our customers in Iceland sent us this fine shot of his rifle, Nightforce riflescope and the rugged Icelandic countryside. . . a beautiful combination.

Lifesaver

Greg Stube, of "Coming Home with Greg Stube" on the Sportsman Channel, says "Nightforce served me well in the Special Forces. . . in fact, they saved my life several times. Why would I trust anything else now that I'm home enjoying the very freedoms they helped me defend?"



Varmints beware

Above, the pros at FOXPRO reduce the coyote population. At left is Jeff Mock, president of Predator Masters with his preferred song dog combination.



THEY ARE NIGHTFORCE

The Nightforce corporate headquarters, manufacturing, R&D, engineering and finance departments are found in the delightful small town of Orofino, Idaho... a sportsman's paradise, and the perfect place to field test Nightforce riflescopes.



If you have a technical question, a problem, or any concern regarding one of our riflescopes, the four gentlemen at left will have the answer... or know where to find it in a hurry. Left to right, the Nightforce customer service department is Craig Qualman, Bill Wortman, Sonny Rossini and Mark Bonnalie.



The only true measure of any company is the quality of its people. By that standard, Nightforce is a very good company, indeed.

Most of our people are avid shooters. Many are dedicated hunters. Every one of them shares a passion for creating the finest riflescopes on earth... and taking exceptional care of the customers who use them. Our staff will tell you that it is a rare thing, to be able to combine what you do for a living with what you do for fun. It shows in their enthusiasm, in the way they help our clients, and in the products they create and sell.

This catalog is dedicated to our people, and to all the extraordinary work they do. *They* are Nightforce.

When you inquire about sales, dealer support, military and law enforcement or international sales, the Nightforce sales and marketing department in Lavonia, Georgia, will take good care of you. They are:

Front row, L to R: Robby Benedict, Tim Pack, Justin Padgett, Kevin Huckabaa, Greg Stube, Kyle Brown.

Back row, L to R: Tanya Ramos, Alan Stilwell, Tod Litt, Jerry Davenport, Bill Bracken, Butch Whisenant.



NIGHTFORCE

Factory/Headquarters U.S.A.

Customer Service, Technical & Warranty:

Nightforce Optics, Inc.
336 Hazen Lane
Orofino, ID 83544
tel 208.476.9814 • fax 208.476.9817
info@nightforceoptics.com

U.S.A. Dealer Sales:

Nightforce Optics, Inc.
2749 Providence Church Road
Lavonia, GA 30553
tel 706.434.8950 • fax 706.449.0930
dealersales@nightforceoptics.com

Military, Government & Law Enforcement:

Nightforce Optics, Inc.
2749 Providence Church Road
Lavonia, GA 30553
tel 706.434.8953 • fax 706.449.0931
militaryinfo@nightforceoptics.com

European & Canadian Sales:

Nightforce Optics, Inc.
2749 Providence Church Road
Lavonia, GA 30553
tel 706.434.8952 • fax 706.449.0930
intlsales@nightforceoptics.com

Australia & South Pacific Sales:

Nightforce Optics
28 Orsmond Street
Hindmarsh, SA 5007
Australia
tel +61 (0)8 8440 0888
fax +61 (0)8 8346 0504



www.NightforceOptics.com

**5-25 x 56. 34MM TUBE.
IT REDEFINES THE "LONG" IN "LONG RANGE."**

ATACRTM
ADVANCED TACTICAL RIFLESCOPE



COMPETITIONTM

**OUR ALL NEW 15-55 x 52:
QUITE SIMPLY, THERE IS NO COMPETITION.**