



# ROLERA™ *bolt*

**USER MANUAL**



DIGITAL IMAGING MADE EASY



## Applicability

This document applies to the Rolera Bolt camera. For the latest updates, please visit [www.qimaging.com](http://www.qimaging.com).

## Notice of Copyright

Copyright © 2013 Quantitative Imaging Corporation. All rights reserved. Unauthorized duplication of this document is prohibited.

## Trademarks and Proprietary Names

QImaging, Rolera Bolt, and QCapture are trademarks of QImaging. Product names mentioned in this document may be trademarks or registered trademarks of QImaging or other hardware, software, or service providers and are used herein for identification purposes only. Microsoft® and Windows® are registered trademarks in the U.S. and other countries of Microsoft Corporation and are used herein for identification purposes only. Apple® and Macintosh® are registered in the U.S. and other countries by Apple Computer, Inc. and are used herein for identification purposes only.

## QImaging Corporation Address Information

19535 56th Avenue,  
Suite 101  
Surrey, BC, Canada V3S 6K3  
604.530.5800  
[www.qimaging.com](http://www.qimaging.com)

## QImaging Technical Support

Technical support is available to all registered users of QImaging products from 9am to 5pm Pacific Standard Time.

[support@qimaging.com](mailto:support@qimaging.com)

800.874.9789

<http://www.qimaging.com/support>



## QIMAGING LIMITED WARRANTY

### Standard Product Warranty Plan

A Standard Product Warranty Plan is included with every QImaging camera purchase. This Warranty Plan includes parts and labor for two full years! The Standard Product Warranty Plan is provided on all new and used equipment, including retired demonstration cameras.

### Extended Product Warranty Plan

Extended Product Warranty Plans are conveniently priced and very easy to purchase. Available for all QImaging cameras, the Extended Product Warranty Plan includes parts and labor and is available in one-year increments up to five years. If needed, QImaging also offers a Camera Loan Program.

When you purchase an Extended Product Warranty Plan from QImaging, you are assured of our commitment to minimizing down times. Your needs are our top priority and we respond to them immediately. The QImaging service and support team is focused on expediting your request to provide a fast and complete solution.

QImaging also offers on-site training as well as online operational training programs. These programs are designed to get you up and running with your new camera quickly and efficiently.

Contact a QImaging Representative to learn more about Extended Product Warranty Plan options from QImaging.



# Table of Contents

<b>INTRODUCTION</b> .....	<b>1</b>
Power Requirements .....	1
Host Requirements.....	1
USB 2.0 Interface .....	2
Cables .....	2
Imaging Software for Your Camera .....	2
<b>INSTALLATION</b> .....	<b>3</b>
Step 1. Install Your Imaging Software .....	3
Step 2. Connect the Rolera Bolt .....	3
Connecting the the camera to a PC/MAC desktop computer .....	3
<b>CAMERA BASICS</b> .....	<b>5</b>
Turning the Camera On and Off .....	5
Connecting the Rolera Bolt to Your Optics .....	5
Understanding the LED Indicators.....	6
Capturing Images with the Rolera Bolt .....	6
Basic Camera Parameters .....	6
Gain Controls .....	6
Exposure Controls .....	6
<b>CARING FOR YOUR CAMERA</b> .....	<b>7</b>
<b>TROUBLESHOOTING</b> .....	<b>8</b>
Resolving Problems with the Camera.....	8
Unresolved Problems - Contacting QImaging Support .....	9
<b>GLOSSARY</b> .....	<b>10</b>
<b>APPENDICES</b> .....	<b>12</b>
APPENDIX A: Rolera Bolt Dimensions .....	12

## CHAPTER 1

# INTRODUCTION

Introducing the Rolera Bolt CMOS camera from QImaging. As a cost-effective solution, the Rolera Bolt is designed to meet the imaging requirements for a diverse set of applications ranging from IR-DIC to whole organism motility studies including fluorescence documentation of *C. elegans* and *Drosophila* larvae. Capable of streaming at 30 full frames per second with 1.3 mega-pixel resolution and 3e-read noise, the Rolera Bolt is perfect for tracking dynamic events with detailed spatial and temporal resolution. The USB 2.0 digital interface allows easy installation with a single cable for both power and data communication and eliminates the need for a framegrabber or external power supply. The Rolera Bolt includes QCapture Software for Windows which offers real time image preview and capture. A Software Development Kit (SDK) is available for interfacing with custom software.



Figure 1: The Rolera Bolt Scientific CMOS Camera

## Power Requirements

The Rolera Bolt can be powered through a single USB 2.0 cable.

- Power: 2.5 Watts
- Input voltage range: 5 volts

## Host Requirements

The host computer for your Rolera Bolt camera must include:

- The host computer for your Rolera Bolt camera must include:
- Windows 7 or Windows 8 operating system (32/64 bits)
- 2.0 GHz or faster Intel processor: either Xeon or Core i5
- 4+ GB RAM



- 250+ GB serial ATA (SATA) HDD and/or >64 GB solid state drive (SSD) for high-speed imaging and storage
- 256+ MB slot-based ATI/NVIDIA video graphics card (i.e., not an “onboard/integrated graphics” adapter)
- CD-ROM drive or internet access to install the driver
- At least one USB interface port

NOTE: Minimum requirements as of October 2013. Supported computer systems will change as new cameras, computer hardware, and operating systems are introduced and older models then become obsolete. For current information on recommended computer specifications, please visit: <http://www.qimaging.com/support/recommended-computer-specifications.php>

## USB 2.0 Interface

The Rolera Bolt is powered and controlled through a Universal-Serial-Bus (USB) 2.0 digital interface. A single USB connection from the camera to the computer allows full control of the camera and rapid image data transfer from the camera to the computer.

## Cables

A USB 2.0 interface cable is included with the camera. One end of this cable connects to the available USB port on the back of the camera; the other end of the cable plugs into one of your computer's available USB ports or external USB hub. The USB cable is typically used both for data communication and for supplying power to the camera.

If the computer used does not supply the necessary power requirements of the camera, a separate power connection exists on the back plate of the camera for external power input.

## Imaging Software for Your Camera

### Industry Standard Imaging Applications

The Rolera Bolt works with industry-standard Windows imaging software.

### QCapture Suite Software

The Rolera Bolt operates on both Windows based systems. QCapture Suite Software for both systems is available at [www.qimaging.com](http://www.qimaging.com). The easy-to-use QCapture software gives you complete control over the camera's settings and image capture functions. QCapture Suite also includes a TWAIN-compliant interface that allows many Windows image-editing applications to acquire images using QImaging cameras.



## CHAPTER 2

# INSTALLATION

**IMPORTANT: Follow these steps in order to complete the installation.  
DO NOT CONNECT the camera until the camera driver is installed.**

1. Install your drivers and imaging software.
2. Connect the Rolera Bolt to your computer using the supplied USB 2.0 cable.

**DO NOT CONNECT the camera until you have a functioning FireWire port in your computer and the camera driver is installed.**

### Step 1. Install Your Imaging Software

Once you have identified the USB ports in your computer, you are ready to install the camera drivers and imaging software. See your Imaging Software User's Guide for complete installation instructions. Camera drivers and the QCapture Suite imaging software are available online at [www.qimaging.com](http://www.qimaging.com).

### Step 2. Connect the Rolera Bolt

- Once your imaging software and camera driver is installed, connect the camera to the computer. In most cases, the USB 2.0 cable provides the necessary power required for the Rolera Bolt.

#### Connecting the the camera to a PC/MAC desktop computer

Perform the following for connecting your camera.

- Remove the USB "B to A" cable from the camera box, and plug the USB "B" end of the cable into the camera's USB "B" socket.



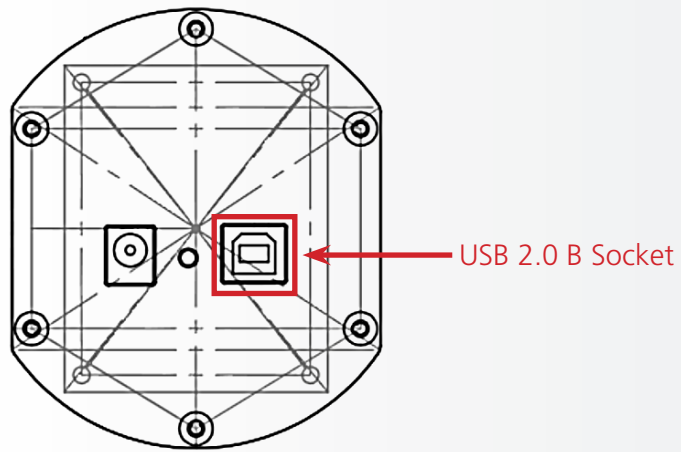


Figure 2: Camera USB B and Power Sockets

- Plug the USB "A" end of the cable into a USB "A" port on your computer

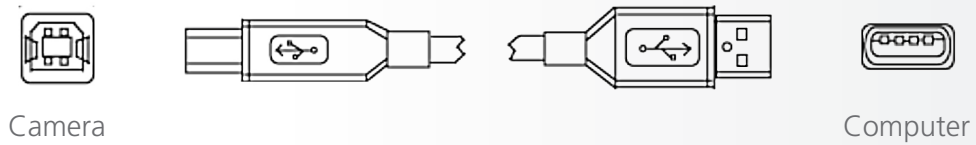


Figure 3: USB "B to A" Port Connection





## CHAPTER 3

# CAMERA BASICS

The Rolera Bolt's image capture capabilities are controlled entirely by your imaging software. Basic functionalities include exposure time control, gain, bit depth changes, region-of-interest (ROI) selection, etc. For information describing how to implement changes to the camera's parameters, refer to the imaging software's instruction manual.

### Turning the Camera On and Off

To turn the Rolera Bolt on, all you need to do is connect the camera to your computer using the USB 2.0 cable. This connection should automatically power on the Rolera Bolt. Refer to this step for all system configurations ensuring that the USB cable(s) are connected as specified. If power is supplied, the GREEN LED will turn on.

### Connecting the Rolera Bolt to Your Optics

The Rolera Bolt connects directly to widely available C-mount optics, which are standard on most microscopes and lenses.

#### To attach the camera to a microscope

Carefully thread the camera onto the microscope's C-mount adapter, rotating the camera until it is mounted securely. Use the microscope controls to adjust focus.

#### To attach a C-mount lens to the camera

Carefully thread the C-mount lens onto the camera's lens ring, rotating the lens in a clockwise direction until it is mounted securely. Use the lens controls to adjust focus.

#### To attach F-mount optics

If you wish to use an F-mount connection, you will need to use a C to F mount adapter. Once acquired, carefully thread the camera to the C-mount end of the C to F mount adapter, rotating the camera until it is mounted securely. Then, carefully connect your F-mount optics to the open connector of the adapter until it is mounted securely. Use your optics controls to adjust focus.



## Understanding the LED Indicators

The LED indicators at the back of the camera give you important information about what your camera is doing:

- **GREEN:** The green LED is the power indicator. This LED should always be lit when the camera is connected to your computer and is turned on.

## Capturing Images with the Rolera Bolt

Consult your imaging application's user's manual for more details.

## Basic Camera Parameters

### Gain Controls

The Rolera Bolt's electrical gain controls allow the user to map an image's intensities of interest to the camera's digital range. This mapping is performed in the analog domain and thus avoids the quantization errors incurred when the mapping is performed in the digital domain.

Most users wish to operate the camera in a mode that maximizes dynamic range. The factory default electrical gain is a calibrated value that maximizes the dynamic range. The electrical gain can be controlled in software by the CMOS Gain controls.

### Exposure Controls

The Rolera Bolt's exposure controls allow the user to adjust the integration time for each acquisition. By increasing the exposure time, more light is captured by the CMOS sensor and the signal to noise ratio is increased.



## CHAPTER 4

# CARING FOR YOUR CAMERA

The Rolera Bolt camera requires no regular maintenance except occasional external cleaning of the CMOS window (the glass window between the camera sensor and the microscope or lens).

### Cleaning the CMOS window:

**CAUTION** — The camera's CMOS sensor, and circuits are sensitive to static discharge. Ensure you are using a static strap or are completely grounded at all times to release any static energy before you clean the CMOS window.

**CAUTION** — Do not use acetone.

- Use clean forced air (available at stores that sell cameras and computer cleaning supplies) to dust the CMOS window.
- If the image still appears dirty, gently wipe the face of the CMOS window with a small amount of optical grade isopropyl alcohol and lens paper.
- Apply forced air again to remove any loose particles.



## CHAPTER 5

# TROUBLESHOOTING

## Resolving Problems with the Camera

### The Green LED is not lit.

- Check all the cable connections.
- If your camera is still not lit, then your camera may not be receiving the required power. If you have an external power supply that outputs the power requirements needed to operate the Rolera Bolt, connect the camera to that external power supply.

### Image occasionally goes bright on one side or stays dark on one side

Turn off the overhead lights in the room. Fluorescent lights may interact with the camera to create fluctuating image brightness.

### Hazy image or poor contrast

- If you are using the camera on a microscope, check the magnification of the microscope coupler. Consult your microscope manufacturer to find the type of coupler that works optimally with the Rolera Bolt camera's sensor.
- Point the camera at something in the far distance. Loosen the locking washer on the outside of the C-mount ring. Adjust the C-mount ring until the image is in focus. Then tighten the locking washer so that the C-mount ring does not move.
- This effect may also be caused by excessive infrared (IR) illumination. Verify that your camera or optical system is blocking the IR. Contact QImaging to order an IR filter.

### Images that do not appear "sharp"

If the image does not seem "sharp," check the format of the lens or the coupler being used on the microscope. An incorrect coupler on the microscope will not provide the correct field of view, and will reduce the light available to the sensor. If you experience an "unsharp" image, contact your microscope dealer to assist you in finding the most appropriate coupler.



## Unresolved Problems - Contacting QImaging Support

If you are still unable to resolve your problem, contact QImaging Support for assistance in one of four ways:

- Visit <http://www.qimaging.com/support/faq/> for a list of all frequently asked questions. Your issue may be resolved in one of these faqs.
- Visit <http://www.qimaging.com/support/contact/> and fill out a support form online with the details of your problem.
- E-mail [support@qimaging.com](mailto:support@qimaging.com) with complete details of your problem (including Error Message and Code if possible), camera model, computer hardware configuration, and operating system. Call +1-800-874-9789. Try to be in front of your computer when you call.



## GLOSSARY

### C-Mount

---

A standard threaded lens mount used to attach a camera to a microscope, or a separate lens to a camera.

### CMOS

---

Complementary Metal Oxide Semiconductor (abbr.)

### CMOS Gain

---

The amount of analog signal amplification. The gain is factory-optimized for the camera's maximum dynamic range.

### Complementary Metal Oxide Semiconductor

---

The light sensitive silicon chip near the optical interface of the camera that converts light intensities into electrical signals. These are typically made up of many pixel elements whose intensities are interpreted by imaging software to display an image on the screen.

### Dynamic Range

---

The ratio of the saturation level of the CMOS to the readout noise of the CMOS camera system. Dynamic range is a measure of the ability of the camera to capture both bright and dark features in a single image. In general, the higher the camera's dynamic range, the more information per pixel it can capture.

### Exposure

---

The amount of time that light reaches the image sensor.

### Field of View

---

The area visible through the camera's optics.

### Integration

---

The active collection of photons as done by an image sensor.

### Iris

---

A diaphragm in the lens that opens or closes to set the aperture (the amount of light that passes through the lens to the CCD).



## **ms**

---

millisecond (abbr.); unit of measure for exposure time.

## **ns**

---

nanosecond (abbr.); unit of measure for exposure time.

## **ROI**

---

Region of Interest (abbr.); Using software to actively select a specified region of the CMOS image to collect. This results in a smaller image display but has the potential of improving frame rate.

## **s**

---

second (abbr.); unit of measure for exposure time.

## **us**

---

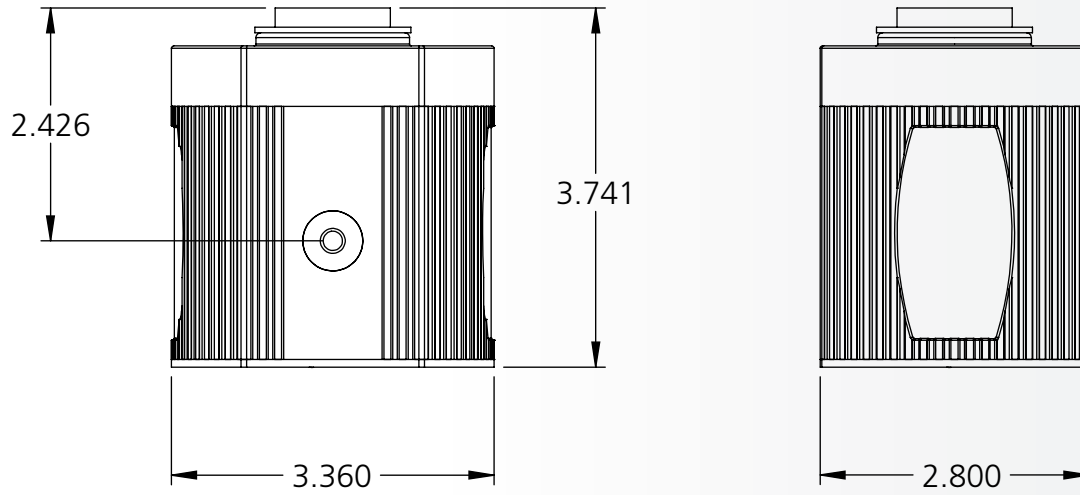
microsecond (abbr.); unit of measure for exposure time.

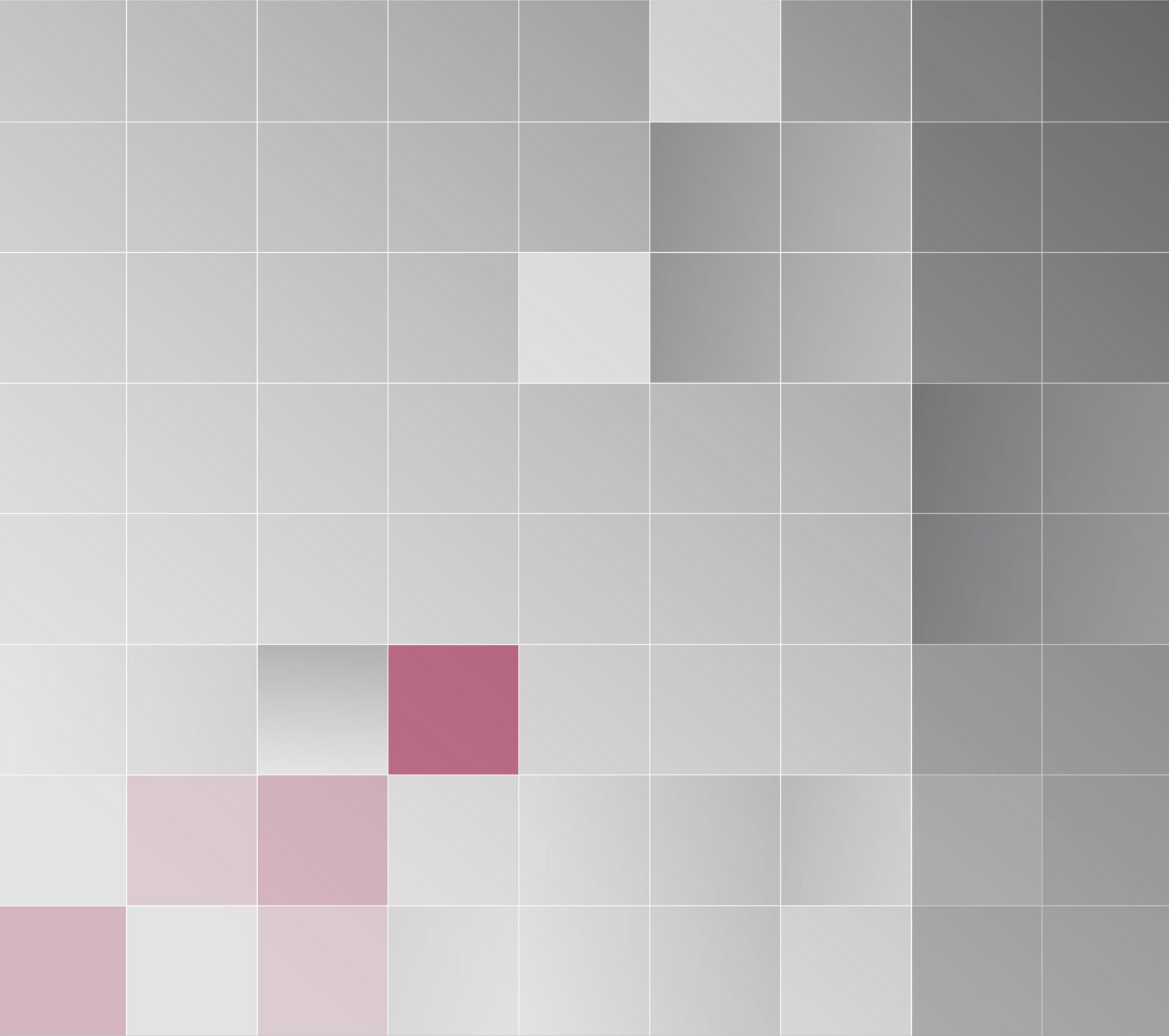




## APPENDICES

### APPENDIX A: Rolera Bolt Dimensions





[www.QIMAGING.com](http://www.QIMAGING.com)

tel +1 800.874.9789

[support@qimaging.com](mailto:support@qimaging.com)



DIGITAL IMAGING MADE EASY