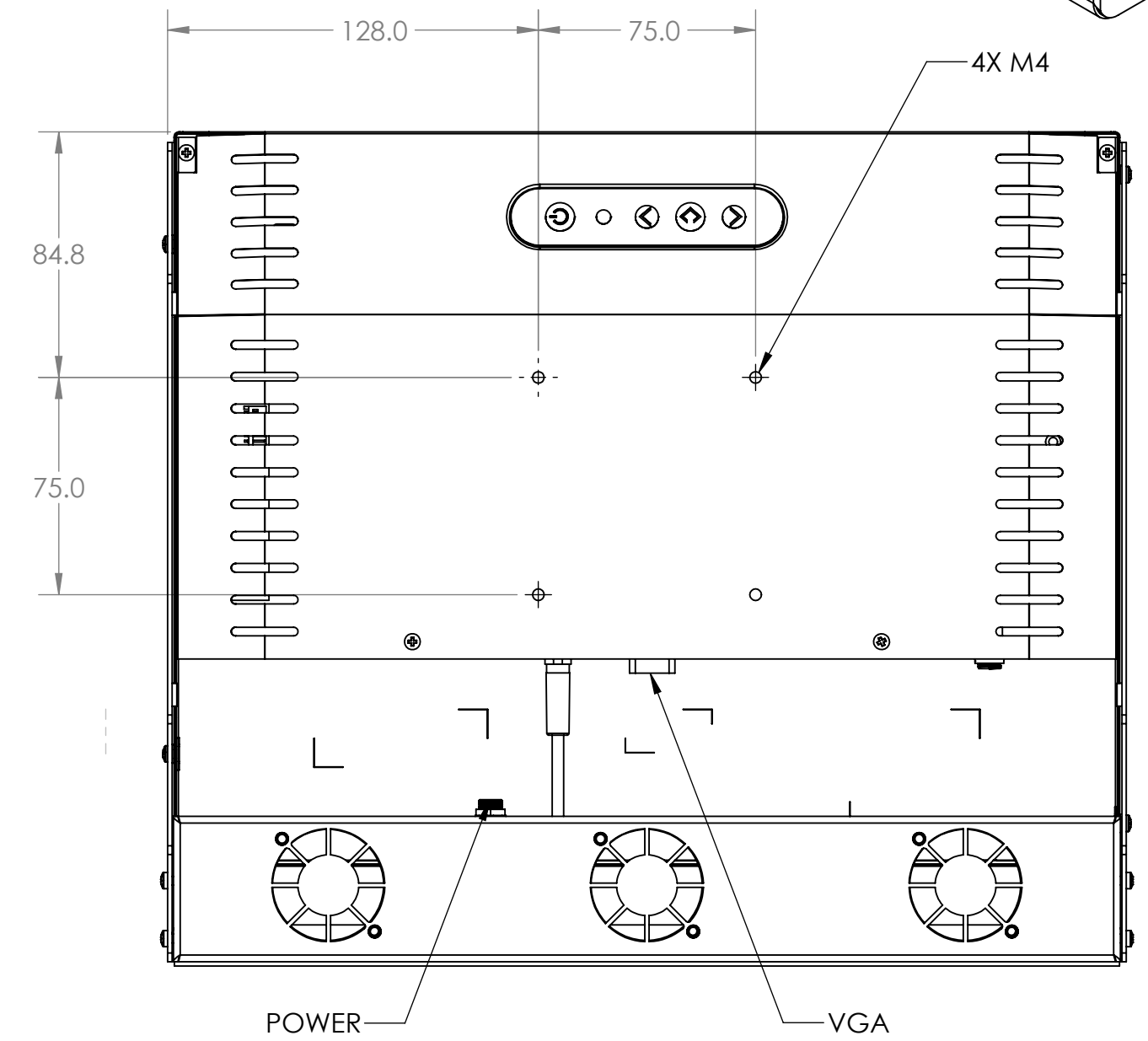
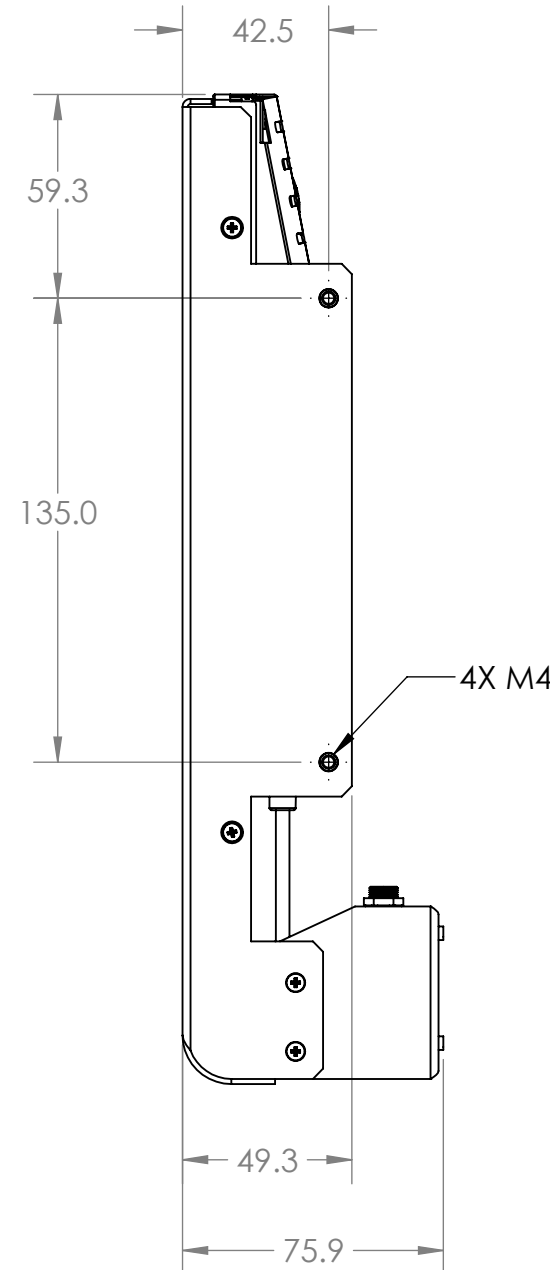
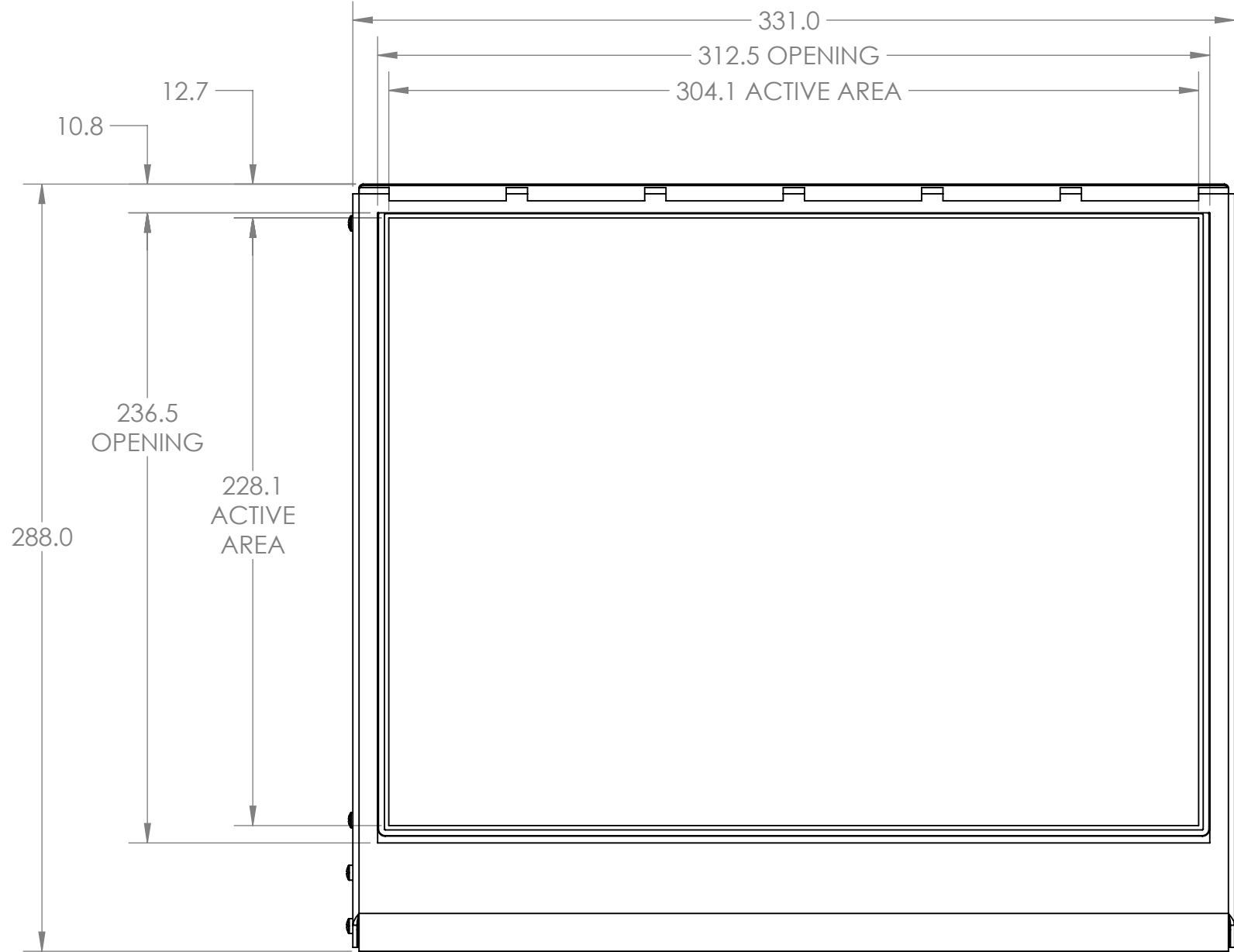
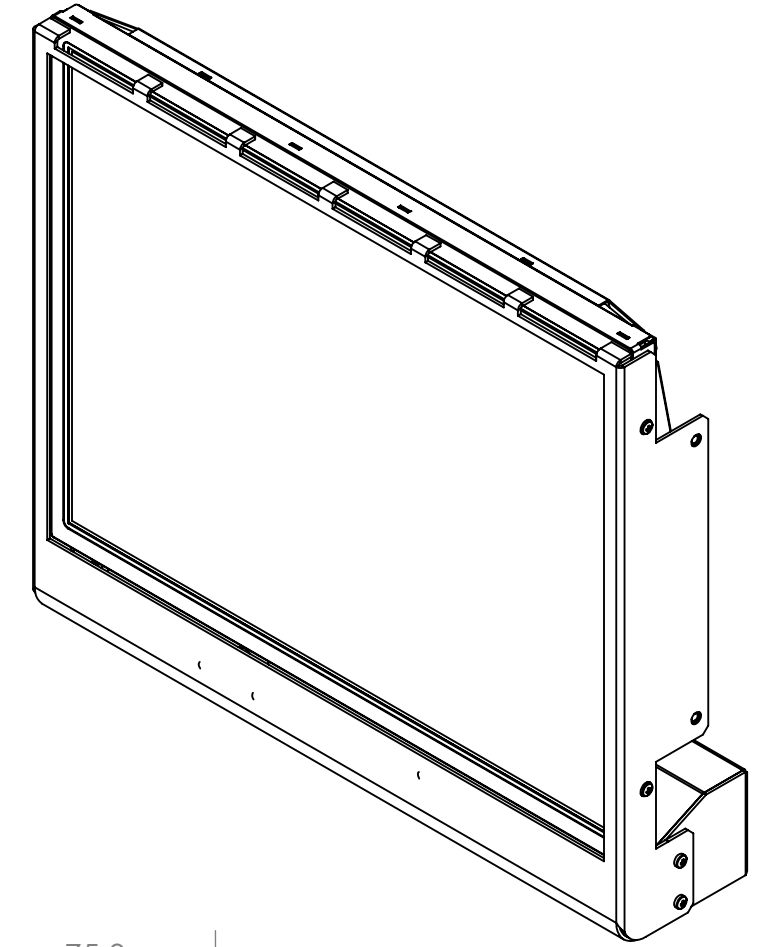
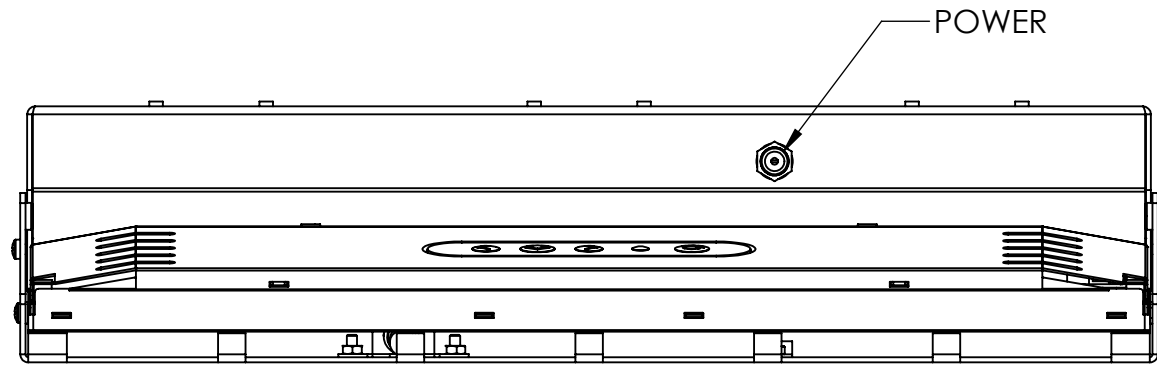


NOTES:

1. THIS PART IS RoHS COMPLIANT.

REVISIONS				
ZONE	REV.	DESCRIPTION	DATE	APPROVED
	A	INITIAL DRAWING RELEASE	11-15-11	



UNLESS OTHERWISE SPECIFIED DIMENSIONS ARE IN MILLIMETERS.		ENGR BY	JRP	5/25/11	PLANAR SYSTEMS, INC. 1195 NW COMPTON DRIVE BEAVERTON, OR 97006 USA
TOLERANCES - UNLESS OTHERWISE SPECIFIED		DRAWN BY	JRP	5/25/11	
X = ±1	.XX = ±.25	CHECKED BY			TITLE
.X = ±.5	ANGLES = ±1°	USED ON	LC1503R-C		MECH O/L LC1503R-C
DIMENSIONING AND TOLERANCING PER ASME Y14.5M-1994		MATERIAL	N/A		SIZE
THIRD ANGLE PROJECTION		FINISH	N/A		C
					PART NUMBER
					997-6359-00LF
					DRAWING NUMBER
					076-0704-00
					REV
					A
					SCALE
					1:3
					DO NOT SCALE
					SHEET
					1 OF 1