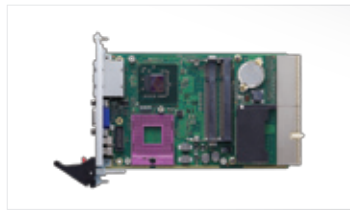


Selection Guide

3U CompactPCI® Blades



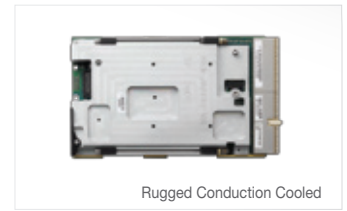
Model Name		cPCI-3610		cPCI-3965		cPCI-3920		
		cPCI-3610	cPCI-3610D	cPCI-3965	cPCI-3965D	cPCI-3920A	cPCI-3920B	
CPU and Core Logic	CPU Support	Atom™		Core™ 2 Duo/ Celeron® M		Core™2 Duo/Celeron® M		
	CPU Speed (max.)	1.66GHz		2.2GHz/ 2.0GHz		1.5 GHz/1.0 GHz		
	Chipset	ICH8M		Intel® GME965/ICH8M		Intel® 3100		
	CPU FSB (MHz)	--		800/533		667/533		
Form Factor & Bus	PICMG Spec.	2.0 (R3.0), 2.1 (R2.0)		2.0 (R3.0), 2.1 (R2.0)		2.0 (R3.0), 2.1 (R2.0)		
	Form Factor	3U		3U		3U		
	Slot Width	1	2	1	2	1	2	
	Host/Peripheral	Host		Host		Host		
	PCI Bandwidth (Max.)	32-bit/33 MHz		32-bit/33 MHz		32-bit/33 MHz		
	DIMM Slots	--		2x DDR2 SODIMM		--		
	Max. Soldered	2 GB		--		2 GB		
Memory	Max. Memory	2 GB		4GB		2 GB		
	ECC Capability	No		No		Yes		
	Display	Graphic Controller	Atom™		Intel® GME965		XGI Z11	
		Interfaces	VGA		DVI + VGA		VGA	
Ethernet	Gigabit Ethernet	2F or 2R (Intel® 82574L)		2F or 1F+1R (Intel® 82573L)		2F or 2R (Intel® 82571EB)		
	Fast Ethernet	--		--		--		
Storage	IDE HDD	--		--		--		
	CompactFlash	Yes		Yes		--		
	USB Flash	--		4GB onboard		Yes (SSD module)		
	Serial ATA	2R	1F+2R	2R	1F+2R	3R	1F+3R	
	Floppy	--		--		--		
I/O	Parallel	--		--		--		
	PS/2 KB/MS	--	1	--	1	--	1	
	Serial	2R	1F+2R	1R	1F+1R	2R	2F + 2R	
	USB	2F+1R	4F+1R	2F+2R	4F+2R	1F+2R	3F+2R	
	Audio	--	Line-in, Line-out	--		--		
Other	Features	RS-232/422/485/485+ selectable		Dual independent display		RS-232/422/485/485+ selectable		
Page Number		4-3		4-5		4-7		

Note: F - Blade; R - Rear Transition Module

Recommended Combinations of Blade with Chassis

Chassis Model	cPCI Bus	Page Number	cPCI-3610		cPCI-3965		cPCI-3920
			Host	Periph.	Host	Periph.	Host Only
cPCIS-1000 series	32-bit/33 MHz	5-5	✓	✗	✓	✗	✓
cPCIS-2500 series	32-bit/33 MHz	5-6	✓	✗	✓	✗	✓
cPCIS-2600 series	32-bit/33 MHz	5-2	✓	✗	✓	✗	✓
cPCIS-2630 series	32-bit/33 MHz	5-3	✓	✗	✓	✗	✓
cPCIS-2632 series	32-bit/33 MHz	5-3	✓	✗	✓	✗	✓
cPCIS-2633 series	32-bit/33 MHz	5-4	✓	✗	✓	✗	✓
cPCIS-2642 series	32-bit/33 MHz	5-4	✓	✗	✓	✗	✓

✓: Recommended, ✗: Insertion may damage board, -: Will not function, O: Not recommended



cPCI-3915	
cPCI-3915A	cPCI-3915B
Pentium® M/Celeron® M	
2.0GHz/1.5GHz	
Intel® 915GME ICH6	
533/400	
2.0 (R3.0), 2.1 (R2.0)	
3U	
1	2
Host	
32-bit/33 MHz	
1x SO-DIMM	
--	
2 GB	
No	
Intel® 915GME	
CRT on Front; DVI-I, LVDS on RTM	
2 (Marvell 88E8052)	
--	Yes
Yes	--
1F + 1R	
--	--
--	1
--	1F + 1R or 2F
1F + 1R	2F + 1R
--	
RS-232/422/485/485+ selectable	
4-9	

cPCI-3600
Geode™ LX 800
500 MHz
AMD CS5536
--
2.0 (R3.0)
3U
2
Host
32-bit/33 MHz
1x SO-DIMM
256MB
1280MB
No
Geode™ LX 800
CRT (1F or 1R)
--
1F + 1R (Intel® 82551QM)
Yes
1
--
1R
1R
1F
1F + 1R
2F
Line out, Mic-in
--
4-11

Model Name	
CPU and Core Logic	CPU Support
	CPU Speed
	Chipset
	CPU FSB (MHz)
	PICMG Spec.
Form Factor & Bus	Form Factor
	Slot Width
	Host/Peripheral
	PCI Bandwidth (Max.)
	DIMM Slots
Memory	Max. Soldered
	Max. Memory
	ECC Capability
Front I/O	J2 signal
Operating temp.	
Vibration	
Shock	
Page Number	

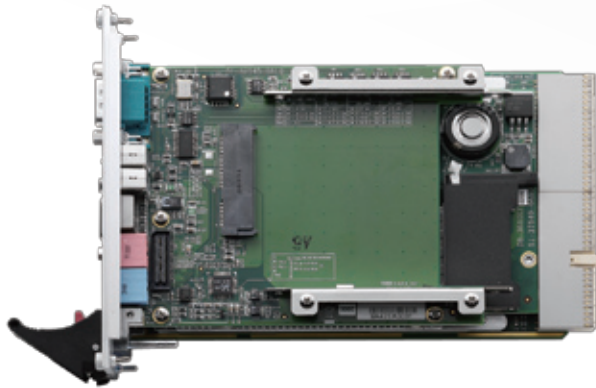
CT-30
Core™2 Duo/Celeron® M
1.5GHz/1.0GHz
Intel® 3100
667/533
2.0 (R3.0), 2.1 (R2.1)
3U
1
Host
32-bit/33 MHz
--
2GB
2GB
Yes
optional DB-15 VGA
2x GbE
2x RS-232
3x SATA
2x USB
7x GPIO
SMBus
4x 1 or 1x 4 PCI-Express
-40°C to 85°C or 75°C
22~2000 Hz, 5g (sine), operating
40g/11ms half sine, operating
4-13

cPCI-3915	cPCI-3600
Host Only	Host Only
✓	✓
✓	✓
✓	✓
✓	✓
✓	✓
✓	✓
✓	✓
✓	✓

- 1 Advanced TCA Products
- 2 6U cPCI Blades
- 3 6U cPCI Platforms
- 4 3U cPCI Blades
- 5 3U cPCI Platforms
- 6 Industrial SBPs & MBs
- 7 Industrial Chassis
- 8 IPC Accessories
- 9 Computer-On-Modules
- 10 Approved ADLINK Extreme Rugged

cPCI-3610 Series

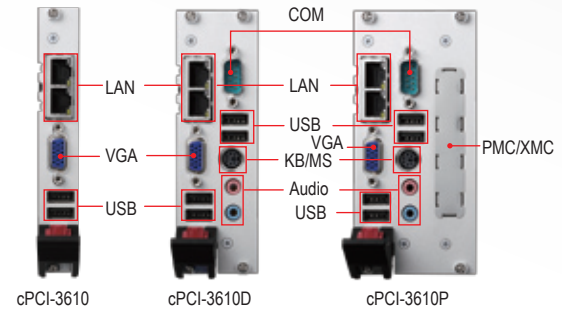
3U CompactPCI® Dual-Core Intel® Atom™ Entry Level Processor Blade



EXTENDED TEMPERATURE

Features

- Supports dual-core Intel® Atom™ D510
- Up to 2GB DDR2-667 soldered memory
- Fanless operation with Atom™ N450
- Optional PMC/XMC site
- Up to QXGA 2048x1536 CRT display



Specifications

Processor & System

CPU	<p>µFC-BGA Intel® Atom™ Processor N450 1.60GHz, 512KB L2 cache, TDP 5.5W</p> <p>µFC-BGA dual-core Intel® Atom™ Processor D510 1.66GHz, 1MB L2 cache, TDP 16W</p> <p>µFC-BGA Intel® Atom™ Processor D410 1.66GHz, 1MB L2 cache, TDP 13W</p>
Chipset	Intel® ICH8M I/O Controller Hub
RAM	Single channel DDR2-667 SDRAM soldered onboard, up to 2GB capacity
BIOS	AMIBIOS®8, 16Mbit SPI flash memory
CompactPCI Bus	<p>PCI 32bit/ 33MHz, 3.3V or 5V universal V (I/O)</p> <p>Host only</p>
Standard	<p>PICMG® 2.0 CompactPCI® R3.0</p> <p>PICMG® 2.1 Hot Swap R2.0</p>

Connectivity

PMC/XMC	One PCI 32bit/66MHz PMC site or PCI-Express x1 XMC site
Ethernet	<p>Two PCI-Express Intel® 82574L Gigabit Ethernet controllers</p> <p>Two 10/100/1000BASE-T front panel ports, switchable to rear</p>
Graphics	<p>Integrated in Intel® Atom™ processor</p> <p>DB-15 VGA port on front panel, switchable to rear</p> <p>Analog monitor support up to QXGA 2048x1536 pixels @75Hz, 32-bit</p>
USB	<p>Up to four USB 2.0 front panel ports</p> <p>One USB port on RTM</p>
PS/2	Front panel PS/2 KB/MS port*
Serial Port	<p>Three RS-232/422/485/485+ selectable serial ports</p> <p>One DB-9 port on front panel*, two on rear</p>
Audio	Line-in and line-out ports on front panel*

Storage

SBC	<p>One Serial ATA direct connector for 2.5" onboard HDD*</p> <p>CompactFlash socket</p>
RTM	Two 7-pin SATA signal connectors

*Note: 8HP & 12HP versions only.

Operating System

OS	<p>Microsoft Windows® XP Professional</p> <p>RedHat Enterprise Linux (TBD)</p> <p>Wind River VxWorks 6 (TBD)</p> <p>(Please contact ADLINK for other OS support)</p>
----	--

Miscellaneous

LED	Power (green), WDT CMOS RAM (red)
Battery	Coin cell lithium battery onboard for RTC CMOS RAM
Watchdog Timer	System Reset and NMI, with programmable interval, 1-65535 seconds or minutes
Hardware Monitor	Monitors CPU temperature, system temperature and DC voltages

Mechanical & Environmental

Form Factor	3U 4HP/8HP/12HP CompactPCI®	
	100mm x 160mm (LxW)	
Operating Temperature	0°C to +70°C	
	-20°C to +85°C extended temperature (optional)	
Storage Temperature	-40°C to +85°C	
RH Humidity	95% non-condensing	
Shock	15G peak-to-peak, 11ms duration, non-operating	
Vibration	1.88 Grms random vibration, 5-500Hz, each axis, operating	
Power Consumption	Atom™ N450 1.60GHz, 512MB soldered DDR2-667 under Windows® XP with 100% CPU loading	
	Current(A)	Power(W)
	5V	3.04 15.2
	Total	15.2
	Atom™ D510 1.66GHz, 512MB soldered DDR2-667 under Windows® XP with 100% CPU loading	
	Current(A)	Power(W)
	5V	3.87 19.35
	Total	19.35

Safety & EMI

Certification	CE/ FCC
---------------	---------

I/O Table

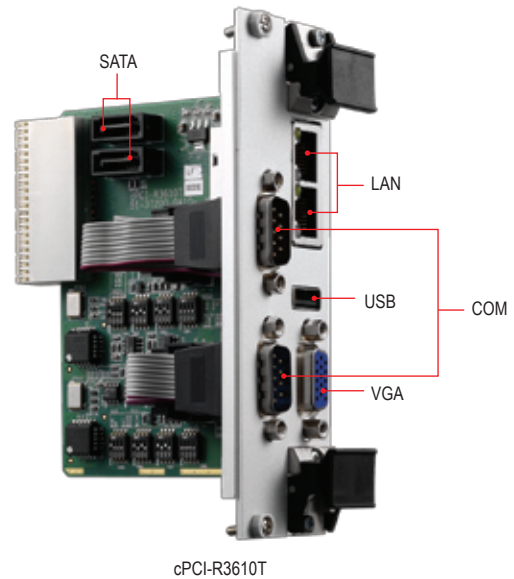
		GbE	USB 2.0	COM	VGA	PS/2 KB/MS	SATA	CF	Line-in	Line-out	PMC/XMC
SBC											
cPCI-3610	Face-plate	2	2		1						
	On-board							1			
cPCI-3610D	Face-plate	2	4	1	1	1			1	1	
	On-board						1	1			
cPCI-3610P	Face-plate	2	4	1	1	1			1	1	
	On-board						1	1			1
RTM											
cPCI-R3610(T)	Face-plate	2 ⁽¹⁾	1	2	1 ⁽²⁾						
	On-board						2				

(1) Switchable to front or rear by software selection.
 (2) Switchable to front or rear by switch selection.

Ordering Information

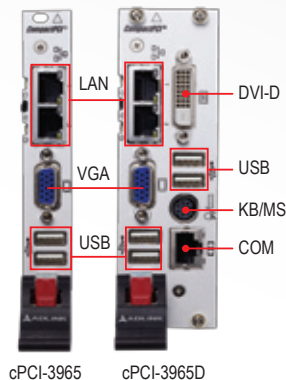
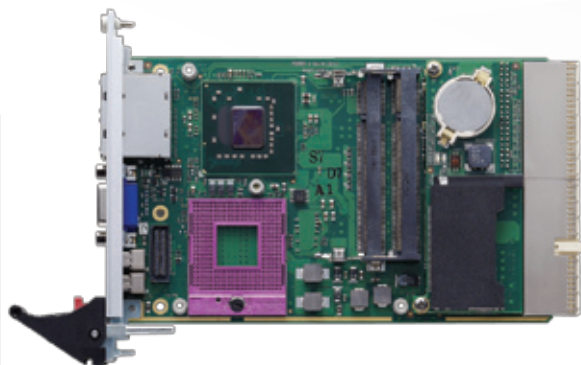
Model Number	Description/Configuration
Processor Blade	
cPCI-3610D/N45/M1G	2-slot (8HP) 3U CompactPCI® blade with Intel® Atom™ processor N450 and 1GB DDR2-667 soldered memory
cPCI-3610D/D51/M1G	2-slot (8HP) 3U CompactPCI® blade with Intel® Atom™ processor D510 and 1GB DDR2-667 soldered memory
cPCI-3610D/D41/M1G	2-slot (8HP) 3U CompactPCI® blade with Intel® Atom™ processor D410 and 1GB DDR2-667 soldered memory
cPCI-3610/N45/M1G	1-slot (4HP) 3U CompactPCI® blade with Intel® Atom™ processor N450 and 1GB DDR2-667 soldered memory
cPCI-3610P/N45/M1G	3-slot (12HP) 3U CompactPCI® blade with Intel® Atom™ processor N450 and 1GB DDR2-667 soldered memory
Rear Transition Module	
cPCI-R3610	8 HP Rear I/O module for cPCI-3610 with GbEx2, COMx2, USBx1, SATAx2, VGA, 50mm depth
cPCI-R3610T	8HP Rear I/O module for cPCI-3610 with GbEx2, COMx2, USBx1, SATAx2, VGA, 80mm depth

Contact your ADLINK representative for different CPU, memory combinations.



cPCI-3965 Series

Low Power 3U CompactPCI® Intel® Core™2 Duo Processor Blade with Dual Independent Display



Features

- Low power Intel® Core™2 Duo 2.2GHz
- Dual Channel DDR2-667 SODIMM, up to 4GB
- VGA+DVI independent display
- Two PCI-Express Gigabit Ethernet egress ports
- Serial ATA and CompactFlash storage options

Specifications

Processor & System

CPU	<p>µFC-PGA Intel® Core™2 Duo 2.2GHz (T7500), 4MB L2 cache, FSB 800MHz</p> <p>µFC-PGA Intel® Core™2 Duo LV 1.6GHz (L7500), 4MB L2 cache, FSB 800MHz</p> <p>µFC-PGA Intel® Celeron® 2.0GHz (550), 1MB L2 cache, FSB 533MHz</p>
Chipset	Intel® GME965 with ICH8M
RAM	Dual Channel DDR2-667 unbuffered non-ECC memory with two SO-DIMM sockets, up to 4GB capacity
BIOS	AMIBIOS® 8 16Mbit SPI Flash memory
CompactPCI Bus	32-bit/ 33 MHz CompactPCI® Bus
PICMG standard	PICMG® 2.0 CompactPCI® R3.0 PICMG® 2.1 Hot Swap R2.0

Connectivity

Ethernet	Two PCI-Express Intel® 82573L Gigabit Ethernet controllers Two GbE egress ports, one configurable to rear by software
Graphics	Integrated in GME965 One analog VGA port on front panel, supports up to 32bit, 2048x1536 resolution @ 75Hz refresh rate One DVI-D front port
USB	Maximum six USB 2.0 ports Four front panel USB 2.0 ports, two USB 2.0 ports on RTM
PS/2	One PS/2 KB/MS Combo Port
Serial Port	One RJ-45 RS-232 port on front panel, and one DB-9 RS-232 (TTL level) port on rear panel

Storage

SBC	One SATA port for 2.5" hard drive onboard One CompactFlash socket
RTM	Two 7-pin SATA ports on RTM for external hard drives

Operating System

OS	Microsoft Windows® XP Professional Microsoft Windows® Vista Enterprise Fedora™ Core 7
----	---

Miscellaneous

LED	Power, WDT
Battery	Coin cell lithium battery onboard for RTC CMOS RAM
Hardware Monitor	Integrated in Super I/O IT8712F, monitors CPU temperature, system temperature, Vcore and DC voltages
Watchdog Timer	Integrated in super I/O IT8712F, two stage watchdog timer, 1 to 15300 sec.

Mechanical & Environmental

Form Factor	3U 4HP/8HP CompactPCI® 100 mm x 160mm (L x W)
Operating Temp.	0°C to +60°C standard (with forced air flow)
Storage Temp.	-40°C to +85°C
Rel. Humidity	90% @ 60°C (non-condensing)
Shock	15G peak-to-peak, 11ms duration, non-operating
Vibration	88Grms, 5-500Hz, each axis, operating IEC68-2-64 standard
Power Consumption	Core™2 Duo 2.2GHz (T7500), 2x 2GB SODIMM under Windows® XP with 100% CPU loading
	Current(A) Power(W)
	5V 6.2 31.0
	3.3V 0.7 2.3
	Total 33.3

Safety & EMI

Certifications	CE, FCC Class A
----------------	-----------------

I/O Table

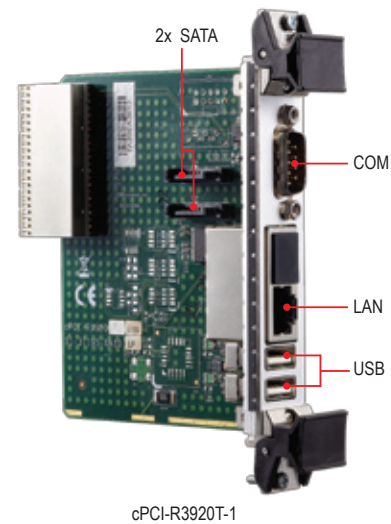
		GbE	USB 2.0	VGA	DVI-D	COM	SATA	CF	PS/2 KB/MS	LED	Reset Button
SBC											
cPCI-3965(4HP)	Face-plate	2	2	1 (DB-15)						2	1
	On-board							1			
cPCI-3965D(8HP)	Face-plate	2	4	1 (DB-15)	1	1 (RF-45)			1	2	1
	On-board						1	1			
RTM											
cPCI-R3920(T)-1	Face-plate	1*	2			1 (DB-9)					
	On-board						2 (7-pin)				

Note* : Switched from front GbE port by BIOS

Ordering Information

Model Number	Description/Configuration
CPU Board	
cPCI-3965/550/M1G	4HP 3U CompactPCI® with Celeron® 2.0GHz (550) processor and 2x 512MB SODIMM
cPCI-3965/T75/M1G	4HP 3U CompactPCI® with Core™2 Duo 2.2GHz (T7500) processor and 2x 512MB SODIMM
cPCI-3965/T75/M2G	4HP 3U CompactPCI® with Core™2 Duo 2.2GHz (T7500) processor and 2x 1GB SODIMM
cPCI-3965D/T75/M2G	8HP 3U CompactPCI® with Core™2 Duo 2.2GHz (T7500) processor and 2x 1GB SODIMM
cPCI-3965D/T75/M4G	8HP 3U CompactPCI® with Core™2 Duo 2.2GHz (T7500) processor and 2x 2GB SODIMM
cPCI-3965D/L75/M2G	8HP 3U CompactPCI® with Core™2 Duo 1.6GHz (L7500) processor and 2x 1GB SODIMM
Rear Transition Module	
cPCI-R3920-1	4HP Rear Transition Module for cPCI-3965(D), 50mm depth
cPCI-R3920T-1	4HP Rear Transition Module for cPCI-3965(D), 80mm depth

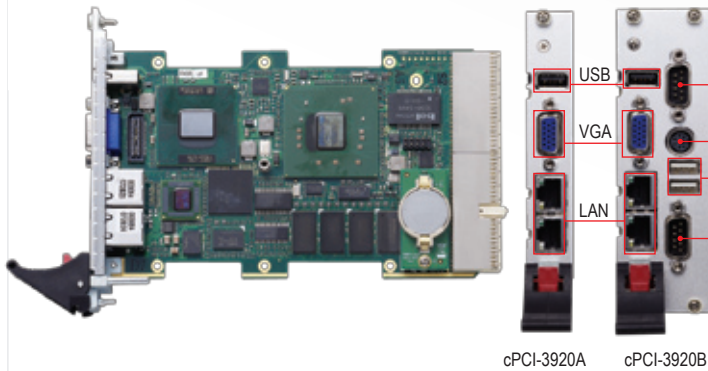
Contact us for more CPU, memory & HDD options.



cPCI-R3920T-1

cPCI-3920 Series

3U CompactPCI® Intel® Core™2 Duo Processor Blade with 3100 Chipset



Features

- Low power Intel® Core™2 Duo and Core™ Duo processor
- Server class Intel® 3100 chipset
- DDR2-400 registered ECC soldered SDRAM
- Two PCI-Express® Gigabit Ethernet
- Supports USB 1.1/2.0 flash module and Serial ATA storage
- Three USB 2.0 and three serial ports



Specifications

Processor & System

CPU	<ul style="list-style-type: none"> μFC-BGA Intel® Core™2 Duo LV (L7400) 1.5 GHz, 667 MHz FSB, 4 MB L2 cache μFC-BGA Intel® Core™ Duo ULV (U2500) 1.2 GHz, 533 MHz FSB, 2 MB L2 cache μFC-BGA Intel® Celeron® M Proc ULV (423) 1.07 GHz, 533 MHz FSB, 1 MB L2 cache
Chipset	Intel® 3100 (Memory Controller Hub + I/O Controller Hub)
RAM	Single-Channel DDR2-400 Registered ECC Soldered 1 GB, up to 2 GB
BIOS	AMIBIOS® 8 16 Mbit FWH Flash Memory
CompactPCI Bus	32-bit/33 MHz CompactPCI® Bus, universal V(I/O)
PICMG standard	PICMG® 2.0 CompactPCI® R3.0 PICMG® 2.1 Hot Swap R2.0

Connectivity

Ethernet	Intel® PCI-Express® 82571EB dual port Ethernet controller Two front egress ports, switchable to RTM
Graphics	XGI Z11 PCI-E® x1 Graphics Controller 64-bit 2D Accelerator Up to 1600 x 1200 at 70 Hz 16 M colors
USB	Up to three front panel USB ports Two USB ports on RTM 9-pin header for horizontal USB NAND flash drive
PS/2	One PS/2 KB/MS Combo Port
Serial Port	Two DB-9 front panel ports, one is for RS-232, and the other one is selectable RS-232/422/485/485+ port Two TTL level RS-232 ports on RTM, one DB-9 connector on front panel, one 10-pin header onboard

Storage

SBG	Optional USB NAND flash drive, up to 8GB
	SATA port for 2.5" HDD direct mounting (8HP version only)
RTM	3x 7-pin SATA connectors for external HDD

Operating System

OS	Microsoft® Windows® XP Microsoft® Windows® Server 2003 Microsoft® Windows® Vista Enterprise, 32-bit Fedora™ 8
----	--

Miscellaneous

LED	Three LEDs: Power, WDT, CPU over temperature
Battery	Adapter designed coin cell lithium battery for RTC CMOS RAM
Hardware Monitor	Integrated in W83792AG, monitors CPU temperature, Vcore and DC voltages
Watchdog Timer	Integrated in Intel® 3100, two stage, system reset and NMI, with programmable interval, 1 ms to 1050 sec.

Mechanical & Environmental

Form Factor	3U 4HP/8HP CompactPCI® 100mm x 160mm (LxW)												
Operating Temp.	0°C to +60°C with external air flow -20°C to +70°C extended temperature (optional)												
Storage Temp.	-40°C to +85°C												
Rel. Humidity	5% to 95% non-condensing												
Shock	20G peak-to-peak, half-sine, 11ms duration, operating												
Vibration	2 Grms, 5-500 Hz, each axis in operating												
Power Consumption	Core™2 Duo 1.5GHz (L7400), 1GB DDR2-400 soldered, under Windows® XP with 100% CPU loading												
	<table border="1"> <thead> <tr> <th></th> <th>Current(A)</th> <th>Power(W)</th> </tr> </thead> <tbody> <tr> <td>3.3V</td> <td>1.61</td> <td>5.31</td> </tr> <tr> <td>5V</td> <td>6.02</td> <td>30.10</td> </tr> <tr> <td>Total</td> <td></td> <td>35.41</td> </tr> </tbody> </table>		Current(A)	Power(W)	3.3V	1.61	5.31	5V	6.02	30.10	Total		35.41
	Current(A)	Power(W)											
3.3V	1.61	5.31											
5V	6.02	30.10											
Total		35.41											

Safety & EMI

Certifications	CE, FCC Class A
----------------	-----------------

I/O Table

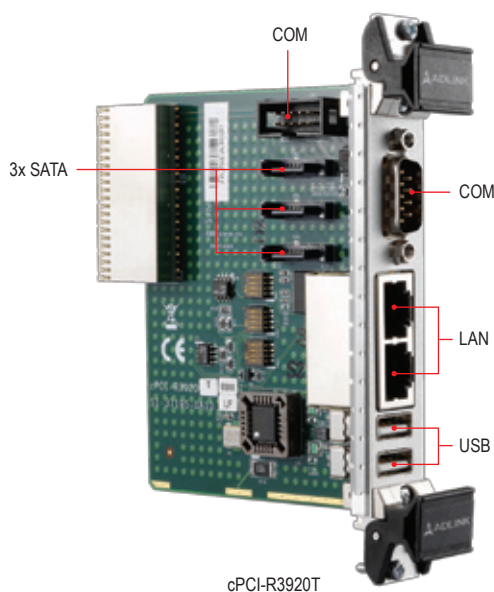
		GbE	USB	VGA	COM 3/4	COM 1	COM 2	SATA	PS/2 KB/MS	LED	Reset Button
SBC											
cPCI-3920A	Face-plate	2*	1	1						3	1
	On-board		1 (9-pin)								
cPCI-3920B	Face-plate	2*	3	1	1 (DB-9)				1	3	1
	On-board		1 (9-pin)					1			
RTM											
cPCI-R3920 (T)	Face-plate	2*	2			1 (DB-9)					
	On-board						1 (10-pin)	3			

Note* : Switchable to front or rear by software selection.

Ordering Information

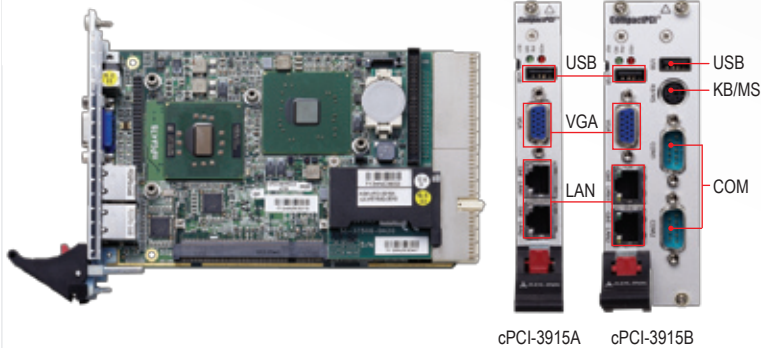
Model Number	Description/Configuration
CPU Board	
cPCI-3920A/C2D15/M1G	Single-slot 3U CompactPCI® Core™2 Duo LV 1.5 GHz SBC with 512 MB soldered REG/ECC DDR2 SDRAM
cPCI-3920A/CM10/M1G	Single-slot 3U CompactPCI® Celeron® M LV 1.0 GHz SBC with 1 GB soldered REG/ECC DDR2 SDRAM
cPCI-3920B/C2D15/M1G	Dual-slot 3U CompactPCI® Core™2 Duo LV 1.5 GHz SBC with 1 GB soldered REG/ECC DDR2 SDRAM
cPCI-3920B/CD12/M1G	Dual-slot 3U CompactPCI® Core™ Duo 1.2 GHz SBC with 1 GB soldered REG/ECC DDR2 SDRAM
cPCI-3920B/CM10/M1G	Dual-slot 3U CompactPCI® Celeron® M LV 1.0 GHz SBC with 1 GB soldered REG/ECC DDR2 SDRAM
cPCI-3920B/C2D15/M2G	Dual-slot 3U CompactPCI® Core™2 Duo LV 1.5 GHz SBC with 2 GB soldered REG/ECC DDR2 SDRAM
cPCI-3920B/CD12/M2G	Dual-slot 3U CompactPCI® Core™ Duo 1.2 GHz SBC with 2 GB soldered REG/ECC DDR2 SDRAM
Rear Transition Module	
cPCI-R3920	Rear Transition Module for cPCI-3920, 50 mm depth
cPCI-R3920T	Rear Transition Module for cPCI-3920, 80 mm depth

Contact us for more CPU, memory & HDD options.



cPCI-3915 Series

3U CompactPCI® Intel® Pentium® M/Celeron® M Processor Blade with Dual Gigabit Ethernet



Features

- Low power Intel® Celeron® M/Pentium® M processor up to 2.0 GHz
- Single SODIMM socket DDR2 400/533 MHz, up to 2 GB
- Dual PCI-Express® Gigabit Ethernet
- Multiple storage interfaces: Serial ATA, IDE, CompactFlash®
- Supports high resolution display interfaces: CRT, DVI and LVDS
- Extended temperature option



Specifications

Processor & System

CPU	<ul style="list-style-type: none"> μFC-PGA Intel® Pentium® M 2.0 GHz, 2 MB L2 cache, 533MHz FSB μFC-PGA Intel® Pentium® M 1.8GHz, 2 MB L2 cache, 400MHz FSB, μFC-PGA Intel® Pentium® M 1.6GHz, 1 MB L2 cache, 400MHz FSB μFC-BGA Intel® Pentium® M LV 1.4 GHz, 1 MB L2 cache, 400MHz FSB μFC-PGA Intel® Celeron® M 1.5 GHz, 1 MB L2 cache, 400MHz FSB μFC-BGA Intel® Celeron® M ULV 1.0 GHz, 512 KB L2 cache, 400MHz FSB
Chipset	Intel® 915GME GMCH with ICH6
RAM	Single un-buffered, non-ECC, DDR2-400/533 SODIMM, up to 2GB
BIOS	Award 4 Mb flash memory
CompactPCI Bus	32-bit/33 MHz PCI™ bus, universal V(I/O)
PICMG standard	<ul style="list-style-type: none"> PICMG® 2.0 CompactPCI® R3.0 PICMG® 2.1 Hot Swap R2.0

Connectivity

Ethernet	<ul style="list-style-type: none"> Two PCI-Express Marvel 88E8052 Gigabit Ethernet controllers Two egress Gigabit Ethernet ports
Graphics	<ul style="list-style-type: none"> Integrated in Intel® 915GME chipset Analog CRT on front panel for up to 2048x1536 resolution DVI-I port on rear panel with analog and digital signal 1x18bps LVDS port on RTM
USB	Three USB 2.0 ports, two on front panel, one on rear panel
PS/2	One PS/2 KB/MS Combo Port
Serial Port	<ul style="list-style-type: none"> Two DB-9 connectors (COM 1 & 2) on front panel COM2 also routed to RTM and supports RS-232/422/485/485+ by jumper setting

Storage

SBC	<ul style="list-style-type: none"> 44-pin IDE port for 2.5" HDD (8HP version only) 7-pin SATA port for 2.5" HDD (8HP version only) CompactFlash slot
RTM	One 7-pin SATA port for external HDD

Operating System

OS	<ul style="list-style-type: none"> Microsoft® Windows® 2000 Microsoft® Windows® XP Microsoft® Windows® Server 2003 Red Hat® Fedora™ Core 4 & 5
----	--

Miscellaneous

LED	HDD, Power/WDT
Battery	Coin cell lithium battery onboard for RTC CMOS RAM
Hardware Monitor	Integrated in IT8712F, monitors CPU temperature, system temperature, Vcore and DC voltages
WatchDog Timer	Integrated in IT8712F, two stage, 1 to 255 sec or 1 to 255 min

Mechanical & Environmental

Form Factor	<ul style="list-style-type: none"> 3U 4HP/8HP CompactPCI® 100 mm x 160 mm (L x W)
Operating Temp.	<ul style="list-style-type: none"> 0°C to +60°C with external air flow -20°C to +75°C extended temperature (optional)
Storage Temp.	-40°C to +85°C
Rel. Humidity	95% non-condensing
Shock	15 G peak-to-peak, 11 ms duration, non-operation
Vibration	<ul style="list-style-type: none"> Operating: 0.5 G-rms, 5-500 Hz, each axis Non-operating: 1.88 G-rms, 5-500 Hz, each axis
Power Consumption	<ul style="list-style-type: none"> Typical 30 W (5 V @ 3.1 A, 3.3 V @ 4.4 A) Full-load 45 W (5 V @ 5.8 A, 3.3 V @ 4.6 A) with Pentium® M 1.8 G, 512 MB DDR2, 20 GB IDE HDD, 512 MB CF, under Windows® XP

Safety & EMI

Certifications	CE, FCC Class A
----------------	-----------------

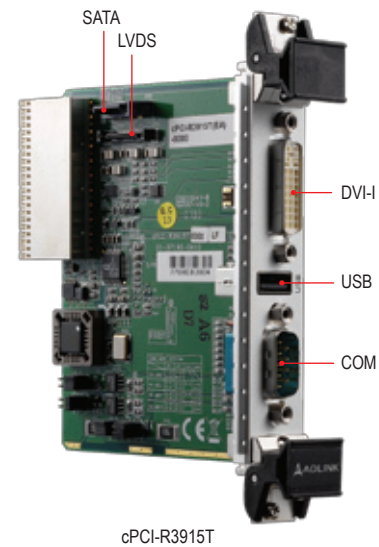
I/O Table

		CRT	DVI	LVDS	LAN	USB	PS/2 KB/MS	COM 1	COM 2	SATA	PATA	CF	LED	Reset Button
SBC														
cPCI-3915A	Face-plate	1 (DB-15)			2 (RJ-45)	1							1	1
	On-board									1	1 (44-pin)	1		
cPCI-3915B	Face-plate	1 (DB-15)			2 (RJ-45)	2	1 (Combo)	1 (DB-9)	1 (DB-9)				1	1
	On-board									1	1 (44-pin)	1		
RTM														
cPCI-R3915(T)	Face-plate		1 (DVI-I)			1			1 (DB-9)					
	On-board			1						1				

Ordering Information

Model Number	Description/Configuration
CPU Board	
cPCI-3915A/CM15/M512	1-slot 3U cPCI with Celeron® M 1.5GHz processor and 512MB DDR2 SODIMM
cPCI-3915B/PM20/M2G	2-slot 3U cPCI with Pentium® M 2.0GHz processor and 2GB DDR2 SODIMM
cPCI-3915A-ULV/C10/M512	1-slot 3U cPCI with soldered ultra low voltage Celeron® M 1.0GHz processor and 512MB DDR2 SODIMM
cPCI-3915A-LV/P14/M1G	1-slot 3U cPCI with soldered Low voltage Pentium® M 1.4GHz processor and 1GB DDR2 SODIMM
Rear Transition Module	
cPCI-R3915	Rear Transition module for cPCI-3915, 50 mm
cPCI-R3915T	Rear Transition Module for cPCI-3915, 80 mm

Contact us for more CPU, memory & HDD options.

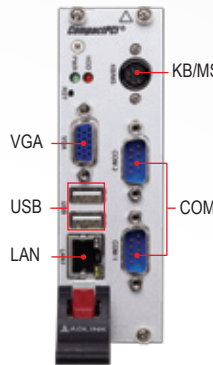
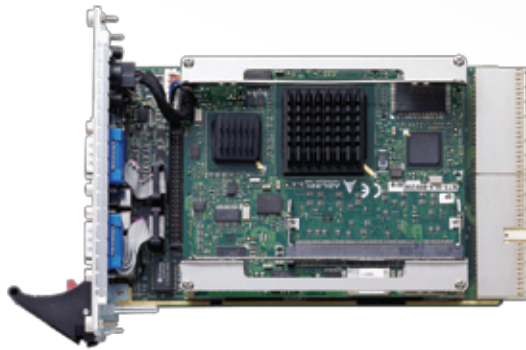


cPCI-R3915T

cPCI-3600 Series

3U CompactPCI® Processor Blade with
AMD Geode™ LX 800 @ 0.9W

3U cPCI Blades



cPCI-3600

Features

- Low Power AMD Geode™ LX 800 @ 0.9W
- Optional 256 MB soldered DDR and additional 200-pin SODIMM socket
- VGA on front or rear supporting up to 1920 x 1440 32-bit resolution
- Supports two USB 2.0, two Fast LAN, two serial ports and AC'97 Audio
- IDE, CompactFlash® and rear Floppy storage
- Under 10W power consumption and Fanless Operation



Specifications

Processor & System

CPU	AMD Geode™ LX 800 CPU 500 MHz, 128 KB L2 cache
Chipset	AMD Geode™ CS5536 companion device
RAM	Supports optional 256 MB soldered DDR-400 SDRAM and one 200-pin SODIMM socket, up to 1 GB
BIOS	Award-Phoenix 2 Mb flash memory
CompactPCI Bus	32-bit/33 MHz CompactPCI® Bus, universal V (I/O)
PICMG standard	PICMG® 2.0 CompactPCI® R3.0

Connectivity

Ethernet	Two 10/100BASE-T Ethernet ports supported by Intel® 82551QM controller
Graphics	Integrated in the AMD Geode™ LX 800 1920 x 1440 32-bit bpp at 85 Hz DB-15 VGA interface on front or rear panel by switch selection
USB	Two USB 2.0 on front panel, optional one USB port on RTM on request
PS/2	PS/2 Keyboard Mouse Combo port on front panel
Serial Port	Two DB-9 RS-232 ports on front panel

Storage

SBC	CompactFlash socket on board 44-pin IDE connector for 2.5" HDD
RTM	One floppy port onboard

Operating System

OS	Microsoft® Windows® XP Fedora™ Core 6
----	--

Miscellaneous

LED	Power, HDD
Battery	Coin cell lithium battery for RTC CMOS RAM
Hardware Monitor	Integrated in Winbond W83627HG, monitors supply voltages and CPU temperature
Watchdog Timer	255-level timer generates system reset

Mechanical & Environmental

Form Factor	3U 8HP CompactPCI® 100 mm x 160 mm (L x W)
Operating Temp.	0°C to +60°C -20°C to +70°C extended temperature (optional)
Storage Temp.	-40°C to +80°C
Rel. Humidity	20-90% non-condensing
Shock	15 G peak-to-peak, 11 ms duration, non-operation
Vibration	Operating: 0.5 Grms, 5 to 500 Hz, each axis Non-operating: 1.88 Grms, 5 to 500 Hz, each axis
Power Consumption	Full Load 7W (+5 V at 1.4 A); Typical Load 6 W (+5 V at 1.1 A) AMD Geode™ LX 800 with 1 GB socket memory & 40 GB IDE HDD

Safety & EMI

Certifications	CE, FCC Class A
----------------	-----------------

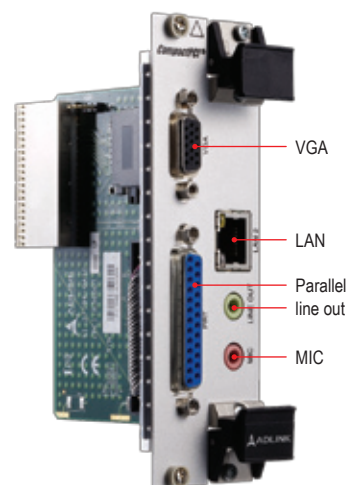
I/O Table

		Audio	CF	USB 2.0	Fast LAN	COM	LPT*	VGA	PS/2 KB/MS	IDE HDD	LED	Reset Button	Floppy*
SBC													
cPCI-3600	Face-plate			2	1	2		1	1		1	1	
	On-board		1							44-pin			
RTM													
cPCI-R3600(T)	Face-plate	2			1		1	1					
	On-board												1

Note* : LPT and Floppy cannot be used simultaneously, and selected by BIOS

Ordering Information

Model Number	Description/Configuration
CPU Board	
cPCI-3600/LX800	2-slot 3U CompactPCI® with AMD Geode™ LX 800 without memory
cPCI-3600/LX800/256	2-slot 3U CompactPCI® with AMD Geode™ LX 800 and soldered 256 MB DDR400 memory
cPCI-3600/LX800-256/M512	2-slot 3U CompactPCI® with AMD Geode™ LX 800 and soldered 256 MB and 512 MB DDR400 SODIMM
cPCI-3600/LX800/M1G	2-slot 3U CompactPCI® with AMD Geode™ LX 800 and 1 GB DDR400 SODIMM without soldered memory
Rear Transition Module	
cPCI-R3600	3U 2-slot Rear Transition module for cPCI-3600, 50 mm
cPCI-R3600T	3U 2-slot Rear Transition module for cPCI-3600, 80 mm



cPCI-R3600

CT-30 Series

Rugged Conduction Cooled 3U CompactPCI® Intel® Core™2 Duo Processor Blade



Features

- Low power Intel® Core™2 Duo and Core™ Duo processor
- DDR2-400 registered ECC soldered SDRAM
- Two PCI-Express® Gigabit Ethernet ports
- PCI-Express® x4 or PCI-Express® 4 x1 to J2
- Supports low profile USB flash module disk



Specifications

Processor & System

CPU	<p>µFC-BGA Intel® Core™2 Duo LV (L7400) 1.5 GHz, 667 MHz FSB, 4 MB L2 cache</p> <p>µFC-BGA Intel® Core™ Duo ULV (U2500) 1.2 GHz, 533 MHz FSB, 2 MB L2 cache</p> <p>µFC-BGA Intel® Celeron® M Proc ULV (423) 1.07 GHz, 533 MHz FSB, 1 MB L2 cache</p>
Chipset	Intel® 3100 (Memory Controller Hub + I/O Controller Hub)
RAM	<p>Single-Channel DDR2-400 Registered ECC</p> <p>Soldered 1GB, 2GB available on request</p>
BIOS	AMI 16 Mbit FWH Flash Memory
CompactPCI Bus	32-bit/33 MHz CompactPCI® Bus
PICMG standard	<p>PICMG® 2.0 CompactPCI® R3.0</p> <p>PICMG® 2.1 Hot Swap R2.0</p>

Connectivity

Ethernet	<p>Intel® PCI-Express® 82571EB dual port Ethernet controller</p> <p>Two Gigabit Ethernet ports on RTM without LEDs</p>
Graphics	<p>XGI Z11 PCI-E® x1 2D Graphics Controller</p> <p>32MB DDR2 SDRAM</p> <p>Up to 1600 x 1200 at 70 Hz 16 M colors</p> <p>Optional Analog DB-15 VGA connector on front panel</p>
USB	Two USB 2.0 ports on RTM
Serial Port	One RS-232 port, one 10-pin header on RTM (TTL level)

Storage

SBC	Optional USB flash disk module
RTM	3x 7-pin SATA connectors onboard

Operating System

OS	<p>Microsoft® Windows® XP</p> <p>Microsoft® Windows® Server 2003</p> <p>Microsoft® Windows® Vista Enterprise, 32-bit</p> <p>Fedora™ 8</p>
----	---

Miscellaneous

LED	Three LEDs: Power, WDT, CPU overtemperature
Hardware Monitor	Integrated in W83792AG, monitors CPU temperature, Vcore and DC voltages
Watchdog Timer	Integrated in Intel® 3100, two stages, system reset and NMI, with programmable interval, 1 µs to 1050 sec.

Mechanical & Environmental

Form Factor	3U 4HP (single slot width) CompactPCI®
Operating Temp.	<p>100 mm x 160 mm (L x W)</p> <p>-40°C to +85°C for U2500 and 423 processors</p> <p>-40°C to +70°C for L7400 processor (temperature at wedge locks)</p>
Storage Temp.	-40°C to +85°C
Rel. Humidity	95% non-condensing
Shock	40G Half Sine, 11 ms duration in operating (with USB flash disk)
Vibration	22~2000 Hz, 5g (sine), operating (with USB flash disk)
Power Consumption	<p>Windows® XP with 100% CPU usage:</p> <p>Core™2 Duo 1.5GHz- 36W</p> <p>Core™ Duo 1.2GHz -27W</p> <p>Celeron® M 1.07GHz- 24W</p>

Safety & EMI

Certifications	CE, FCC Class A
----------------	-----------------

Ordering Information

Model Number	Description/Configuration
CT-30/C2D15/M1G	Rugged Conduction Cooled 3U CompactPCI® Core™2 Duo LV 1.5 GHz SBC with 1 GB soldered REG/ECC DDR2 SDRAM without VGA with conformal coating
CT-30/CD12/M1G	Rugged Conduction Cooled 3U CompactPCI® Core™ Duo 1.2 GHz SBC with 1 GB soldered REG/ECC DDR2 SDRAM without VGA with conformal coating
CT-30/CM10/M1G	Rugged Conduction Cooled 3U CompactPCI® Celeron® M LV 1.0 GHz SBC with 1 GB soldered REG/ECC DDR2 SDRAM without VGA with conformal coating
CT30/C2D15/M2G	Rugged Conduction Cooled 3U CompactPCI® Core™2 Duo LV 1.5 GHz SBC with 2 GB soldered REG/ECC DDR2 SDRAM without VGA with conformal coating
cPCI-R3920T	Rear Transition Module for CT-30, 80 mm depth
SUSB-4GB-LP	4GB low profile USB flash disk module
SUSB-8GB-LP	8GB low profile USB flash disk module

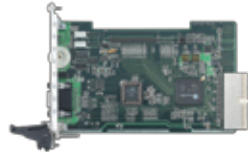
3U CompactPCI Peripheral Cards

PMC Modules

cPCI-8217/cPCI-8217R

3U CompactPCI®/PXI VGA/LCD Interface Card

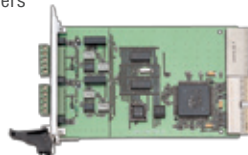
- PICMG® 2.0 32-bit/33 MHz CompactPCI® specification
- SMI-721 graphic controller with 8 M built-in VRAM
- Max. 1280 x 1024, 24-bit true color
- On-board 44-pin LCD interface, LCD brightness adjustable
- cPCI-8217 is PXI compatible
- cPCI-8217R is a 50 mm RTM with J2 and rear I/O



cPCI-7841

Dual-port Isolated CAN Interface Card

- PICMG® 2.0 Rev 2.1
- Dual-independent CAN network operation
- Up to 1 Mbps programmable transfer rate
- 16 MHz CAN controller frequency
- 2500 V_{RMS} optical isolation
- Direct memory mapping to the CAN controllers
- Powerful master interface for CAN bus protocols
- Rear I/O available on cPCI-7841R



cPCI-3544

4-Port RS-422/485 Isolated Serial Communications Card

- 32-bit CompactPCI®, PICMG® 2.0 Rev 2.1
- Plug-and-play, IRQ & I/O address automatically assigned by PCI BIOS
- Four asynchronized communications ports with intelligent buffer
- Four RS-422/485 ports
- 2500 V_{RMS} isolation voltage
- Supports multiple OS
- Surge protectors
- Rugged DB37 connector
- Only supports CompactPCI interface 5 V (I/O)



cPCI-8273

3U CompactPCI® 3-port IEEE-1394 Card

- PICMG® 2.0 32-bit/33 MHz CompactPCI® specification
- VIA VT6306 IEEE-1394a controller
- Provides three ports, up to 400 Mbps
- Supports OHCI compliant programming interface
- Rear I/O version available upon request



PMC-8246

Dual-Gigabit Ethernet Ports PCI-X - PMC Module with Failover Function

- Dual-Gigabit Ethernet ports
- Supports PCI-X bus up to 133 MHz
- Failover capability during system power off or software halt
- Software programmable failover control
- DIP Switch selectable failover control
- Programmable watchdog timer, WDT status read-back
- Intel® - PMC Module Boot Agent BIOS



PMC-8681

2-Port RS-232, 2-Port RS-232/485/422 UART PMC Module

- PMC IEEE P1386.1 Spec. 32-bit/33 MHz PCI - PMC Module
- 4-port Serial UART OXFORD OX16 controller
- Ports 1, 2 support RS-232 (two DB-9 front panel connectors)
- Ports 3, 4 support RS-232/422/485 jumper selectable
- Four on-board headers for all four ports



PMC-8676

Quad-USB v2.0 Ports PMC Module

- PMC IEEE P1386.1 Spec. 32-bit/33 MHz PCI
- Four USB 2.0 ports
- Philips ISP1561 Hi-Speed USB PCI host controller
- Module host controller
- Supports all Hi-Speed USB transfer speed modes
- High-speed (480 Mb/s), full-speed (12 Mb/s) and low-speed (1.5 Mb/s)



PMC-8219

PMC VGA Module

- PMC IEEE P1386.1 Spec. 32-bit/33 MHz PCI
- ATI Rage XL graphic controller with 16 MB VRAM
- Supports up to 1280 x 1024 VGA display in 24-bit true color
- High performance, 2D, 3D, and video acceleration
- ACPI, VESA DPMS, and VESA DDC 2-bit compliant

