

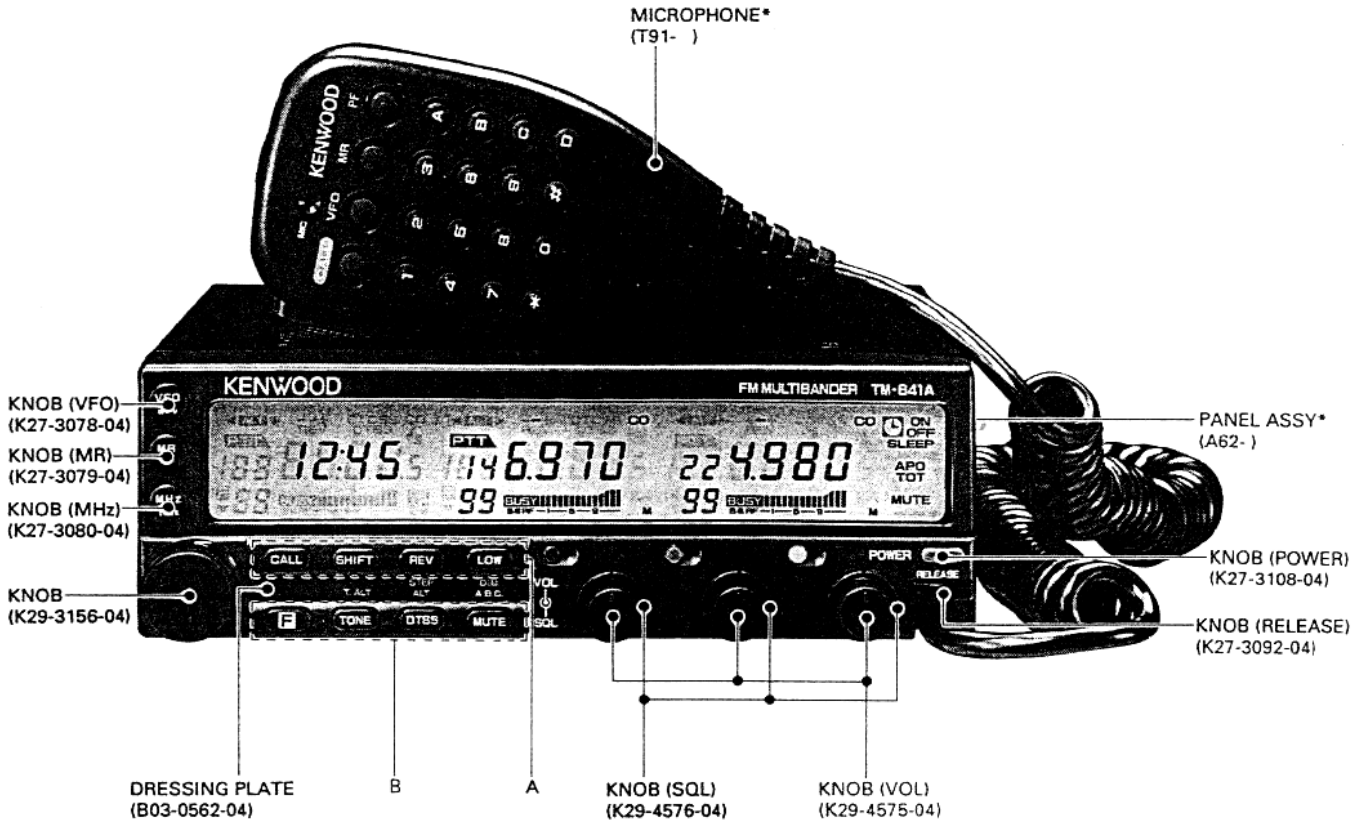
TM-641A TM-741A/E SERVICE MANUAL

KENWOOD

Downloaded by
Amateur Radio Directory

www.hamdirectory.info

© 1991-9 PRINTED IN JAPAN
B51-8139-00(A) 1599.



A	KNOB (CALL) K27-3110-04	KNOB (SHIFT) K27-3118-04	KNOB (REV) K27-3114-04	KNOB (LOW) K27-3116-04
B	KNOB (F) K27-3111-04	KNOB (TONE) K27-3113-04	KNOB (DTSS) K27-3115-04	KNOB (MUTE) K27-3117-04

* Refer to parts list on page 62
Photo is TM-641A

CONTENTS

OVER VIEW	2	144M TX-RX UNIT (X57-3580-12)	143
CIRCUIT DESCRIPTION	3	220M TX-RX UNIT (X57-3810-10)	147
DESCRIPTION OF COMPONENTS	41	430/440M TX-RX UNIT (X57-359X-XX)	151
SEMICONDUCTOR DATA	58	1200M TX-RX UNIT (X57-3600-11)	155
PARTS LIST	61	BLOCK DIAGRAM	159
EXPLODED VIEW	105	LEVEL DIAGRAM	167
PACKING	110	DTU-2 (DTMF UNIT)	171
ADJUSTMENT	113	TSU-7 (CTCSS UNIT)	173
PC BOARD VIEWS / SCHEMATIC DIAGRAM		MC-45 (MULTI FUNCTION MICROPHONE)	175
CONTROL UNIT (X53-331X-XX)	126	MC-45DM (MULTI FUNCTION MICROPHONE WITH AUTOPATCH)	176
DISPLAY UNIT (X54-312X-XX)	128	PK-4K/L (PANEL SEPARATE KIT K:4M, L:7M)	177
SCHEMATIC DIAGRAM	129	UT-28S/50S/1200 SPECIFICATION	178
28M TX-RX UNIT (X57-3790-01)	133	SPECIFICATION	BACK COVER
50M TX-RX UNIT (X57-3800-01)	139		

OVERVIEW

List of Destinations

Model	Destination	Destination code
TM-641A	North America	K
TM-741A	North America	K
TM-741A	Canada	P
TM-741E	Europe	E
TM-741A	Other countries	M
TM-741A	Other countries	M2

Units for Each Model and Destination

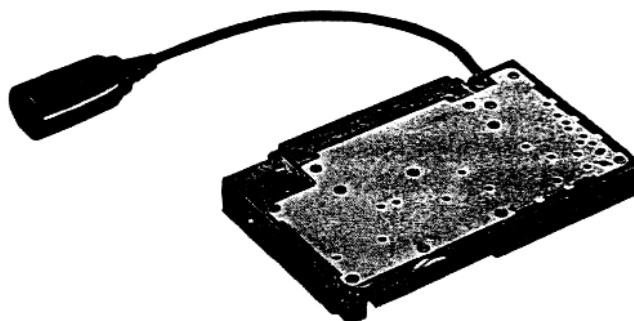
Parts No.	Unit name	TM-741A/E					TM-641A	Band Units				
		K	P	E	M	M2		UT-28S	UT-50S	UT-220S	UT-440S	UT-1200
							K	M	M	K	K	M
X53-3310-12	Control unit											
X53-3312-71	Control unit											
X54-3120-11	Display unit											
X54-3120-21	Display unit											
X54-3120-22	Display unit											
X54-3122-71	Display unit											
X57-3580-12	144 TX-RX unit											
X57-3590-12	440 TX-RX unit											
X57-3590-22	430 TX-RX unit											
X57-3592-72	430 TX-RX unit											
X57-3600-11	1200 TX-RX unit											
X57-3790-01	28 TX-RX unit											
X57-3800-01	50 TX-RX unit											
X57-3810-10	220 TX-RX unit											

BAND UNITS

Any of the following optional band units may be installed in the TM-641A/741A/741E.

The same instructions apply for the Tri-Bander as for the Dual-bander.

	OPTIONAL BAND UNIT			
TM-641A U.S.A. version	UT-28S	UT-50S	UT-440S	UT-1200
TM-741A U.S.A. version	UT-28S	UT-50S	UT-220S	UT-1200
TM-741A	UT-28S	UT-50S	UT-1200	
TM-741E	UT-28S	UT-50S	UT-1200	



CIRCUIT DESCRIPTION

● Shift-register circuit

The ES, CK, and DT serial data from the control unit

are sent to C1 (BU4094BF) to perform the control operation outlined in the following table:

Pin No.	Name	Function	Pin No.	Name	Function
1	Strobe	Enable input	9	Qs	
2	Data	Serial data input	10	Q's	
3	Clock	Clock input	11	Q8	TX/RX selection. High when TX is set.
4	Q1	TX/RX selection. Low when TX is set	12	Q7	ATT switching: High when ATT is on
5	Q2	TX power selection. Low when middle and low. "H" when high.	13	Q6	High for AM; low for FM; High for narrow; low for wide
6	Q3	TX power selection. Low when high and low. "H" when middle.	14	Q5	High when off band
7	Q4	Low when off band	15	OE	8V
8	Vss	GND	16	VDD	8V

Table 3

● ATT circuit

If there is cross modulation, the ATT circuit operates

to attenuate the received signal before it enters Q2 (FET for high-frequency amplification).

28 TX-RX Unit Transmit Signal Channel

● Outline

In the transmission channel, the desired frequency is produced by direct oscillation, and is directly frequency modulated by means of a varicap diode.

● Modulator circuit

The audio signal from the control unit is input to microphone amplifier HIC IC3 (KCA04). IC4 consists of a preemphasis circuit, amplifier, limiter, and splatter circuit that eliminates unwanted high-frequency components. The voltage-controlled oscillator (VFO) signal is directly frequency modulated by means of a varicap diode in the frequency modulator circuit.

● Younger-stage circuit

The signal output from the VCO is input to drive circuit HIC IC16 (KCB16). The amplifier can obtain a stable drive output without adjustment because it has a large bandwidth. An APC circuit controls the collector voltage in the Younger final stage.

● Power amplifier circuit

The drive signal is amplified to the specified level by a discrete transistor. Q2 performs class B amplification, and the collector output voltage is controlled by an APC circuit. Q202 amplifies the power by class C operation, improving the efficiency of the final stage.

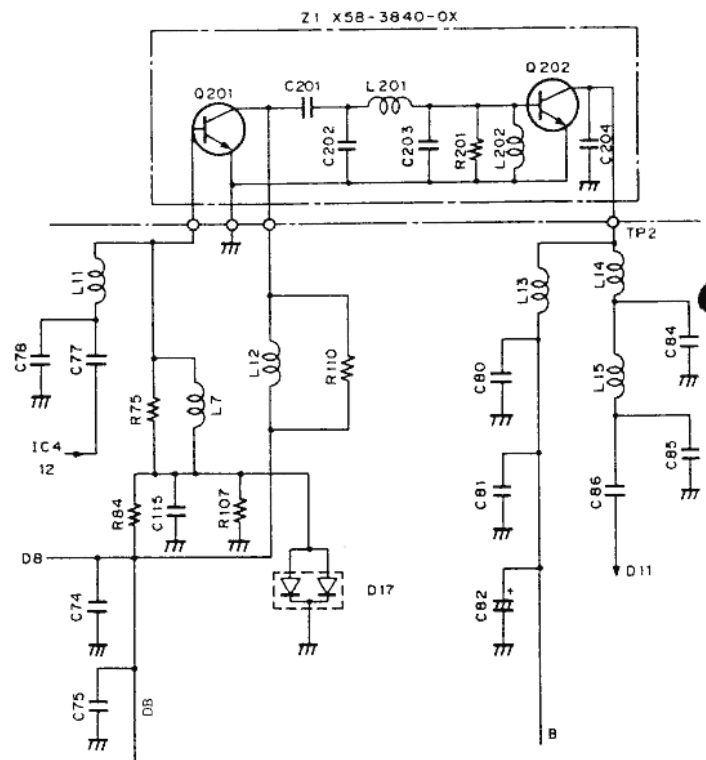


Fig. 2 Power amplifier circuit

CIRCUIT DESCRIPTION

● APC circuit

The automatic transmission output control circuit (APC) detects and partially amplifies the power amplifier output with a diode, and controls the output control voltage. The control voltage is output in inverse proportion to the output, so the control voltage output is always constant. To protect the radio against excessive temperature rise, the high-power unit has a thermal switch. The high-power unit is automatically set to a low power by the thermal switch if it exceeds the specified temperature.

● 8T (8 V during transmission) and unlock signal

The signal output from pin 4 of IC1 is high during reception, Q13 is turned on, and Q14 and Q11 are turned off. No voltage appears at the collector (8T) of Q11. Serial data is output from the control unit during transmission and input to shift register IC1. Pin 4 of IC1 is then made low. Therefore, Q13 is turned off, and Q14 and Q11 are turned on. An 8 V voltage is applied to the collector (8T) of Q11.

If the PLL circuit is unlocked during transmission, the LD pin goes low, Q24 is turned off, Q13 is turned on, Q14 is turned off, Q11 for 8T switching control is turned off, and the 8T line does not operate.

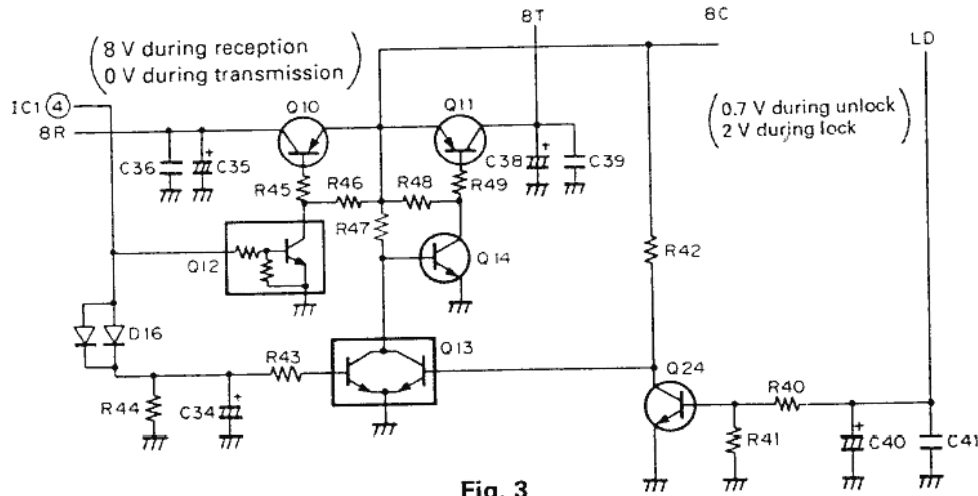


Fig. 3

28 TX-RX Unit PLL Synthesizer

The VCO and PLL circuits are housed in a solid shielding case as a hybrid integrated circuit. Comparison frequencies are produced by dividing a 9.285 MHz reference oscillation frequency by 1857 to correspond to the 5, 10, 15, 20, and 25 kHz channel steps.

For 28 MHz, the relationship between f_{VCO} (RX) and each frequency division ratio is given by $f_{VCO} = (28 + 8.83) = \{(n \times 64) + A\} \times f_{osc} / R$
 Where: f_{VCO} = VCO output frequency
 n: Binary 10-bit programmable counter setting value
 A: Binary 6-bit programmable counter setting value
 f_{osc} : Reference oscillation frequency of 9.285 MHz
 R: Binary 16-bit programmable counter setting value 1857

In this case, n is 155, and A is 6.

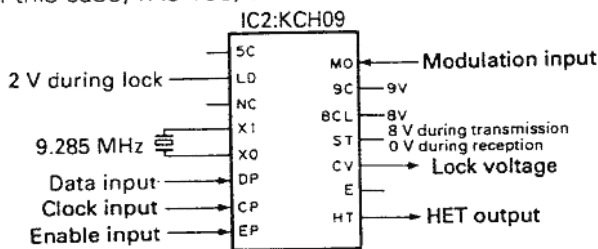


Fig. 4

$$\begin{aligned} \text{Therefore, } f_{VCO} &= \{(115 \times 64) + 6\} \times 9285 / 1857 \\ &= (7360 + 6) \times 5 \\ &= 36.83 \text{ MHz} \end{aligned}$$

The following table lists the pin functions of the PLL circuit:

Pin name	Function	Pin name	Function
5C	5V	MO	Modulation signal input
LD	Lock signal (2 V during locking)	9c	9v
NC	Unused	8CL	8 V (ripple filter)
X1 X0	9.285 MHz crystal oscillation	ST	8 V during transmission; 0 V during reception
		CV	Lock voltage output
DP	Data input	E	GND
CP	Clock input	HT	HET output
EP	Enable input		

Table 4 PLL circuit pin functions

CIRCUIT DESCRIPTION

UT-50

50 TX-RX Unit Frequency Configuration

The 50 MHz unit incorporates a variable frequency oscillator (VFO), based on a phase-locked-loop (PLL) synthesizer system, that allows a channel step of 5, 10, 15, 20, or 25 kHz to be selected. The frequency in the receive signal channel is mixed with a first local oscillation frequency of 60.595-64.590 MHz to produce a first in-

termediate frequency (IF) of 10.595 MHz. This frequency is then mixed with a second local oscillation frequency of 11.05 MHz to produce a second IF of 455 kHz. This is called a double-conversion system. The signal in the transmission channel is produced by direct oscillation, and is frequency-divided by a PLL circuit, amplified by a linear amplifier, then transmitted.

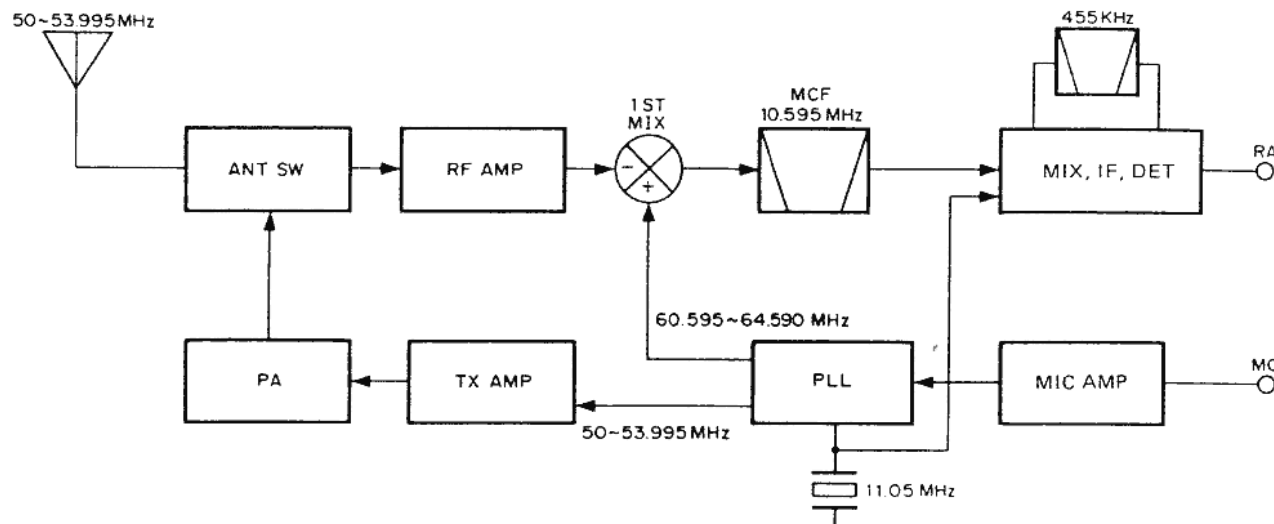


Fig. 5 Frequency Configuration

50 TX-RX Unit Receive Signal Channel

● Outline

The received signal by the antenna passes through a low-pass filter in the final transmission stage and then through a transmission/reception selection diode switch to the receiving front end. The signal then passes through an antenna matching coil and is amplified to high frequencies by a GaAs (gallium arsenide) field-effect transistor. The unwanted components of the signal are eliminated by a bandpass filter consisting of a three-stage variable capacitor. The resulting signal goes to the first mixer, is mixed with the first local signal from the PLL circuit, then converted to the first IF of 10.595 MHz.

Item	Rating
Center frequency	10.595 MHz
Pass bandwidth	±6.5 kHz or more at 3 dB
Attenuation bandwidth	±23 kHz or less at 40 dB ±40 kHz or less at 60 dB
Guaranteed attenuation	70 dB or more within $F_0 \pm 1$ MHz (Spurious: 40 dB or more)
Ripple	1 dB or less
Insertion loss	1.5 dB or less
Terminating impedance	2.9 k Ω /0pF

Table 5 MCF (L71-0421-05) (50TX-RX unit XF1)

The unwanted near-by signal components are then eliminated by a two-stage MCF.

The first IF signal is amplified and input to FM IF HIC IC6 (KCD04). This signal is then mixed with the second local oscillation frequency of 11.05 MHz to produce the second IF signal of 455 kHz. The unwanted near-by signal components are then eliminated by an FM ceramic filter. The resulting signal is input to IC6 again, amplified to the second IF signal, and detected to produce an audio signal.

Item	Rating
Nominal center frequency	455KHz
6 dB bandwidth	±6.0 kHz or more (from 455 kHz)
50 dB bandwidth	±12.5 kHz or less (from 455 kHz)
Ripple (within ±5 kHz of 3455 kHz)	3 dB or less
Insertion loss (at maximum output point)	6 dB or less
Guaranteed attenuation (within ±100 kHz of 455 kHz)	35 dB or more
Terminating impedance	2.0 k Ω

Table 6 Ceramic filter CFWM455F (L72-0372-05) (50TX-RX unit CF1)

CIRCUIT DESCRIPTION

- **Signal-strength meter**

The signal-strength meter output voltage of FM IF HIC IC6 (KCD04) is supplied to the control unit.

- **Shift-register circuit**

The ES, CK, and DT serial data from the control unit are sent to IC1 (BU4094BF) to perform the control operation outlined in the following table:

Pin No.	Name	Function	Pin No.	Name	Function
1	Strobe	Enable input	9	Qs	
2	Data	Serial data input	10	Q's	
3	Clock	Clock input	11	Q8	TX/RX selection. High when TX is set.
4	Q1	TX/RX selection. Low when TX is set	12	Q7	ATT switching. High when ATT is on
5	Q2	TX power selection. Low when middle and low. "H" when high.	13	Q6	High for AM; low for FM
6	Q3	TX power selection. Low when high and low. "H" when middle.	14	Q5	High when off band
7	Q4	Low when off band	15	OE	8V
8	Vss	GND	16	VDD	8V

Table 7

- **ATT circuit**

If there is cross modulation, the ATT circuit operates

to attenuate the received signal before it enters Q2 (FET for high-frequency amplification).

50 TX-RX Unit Transmit Signal Channel

- **Outline**

In the transmission channel, the desired frequency is produced by direct oscillation, and is directly frequency modulated by means of a varicap diode.

- **Modulator circuit**

The audio signal from the control unit is input to microphone amplifier HIC IC3 (KCA04). IC4 consists of a preemphasis circuit, amplifier, limiter, and splatter circuit that eliminates unwanted high-frequency components. The voltage-controlled oscillator (VFO) signal is directly frequency modulated by means of a varicap diode in the frequency modulator circuit.

- **Younger-stage circuit**

The signal output from the VCO is input to drive circuit HIC IC4 (KCB18). The amplifier can obtain a stable drive output without adjustment because it has a large bandwidth. An APC circuit controls the collector voltage in the Younger final stage.

- **Power amplifier circuit**

The drive signal is amplified to the specified level by a discrete transistor. Q201 performs class B amplification, and the collector output voltage is controlled by an APC circuit. Q202 amplifies the power by class C operation, improving the efficiency of the final stage.

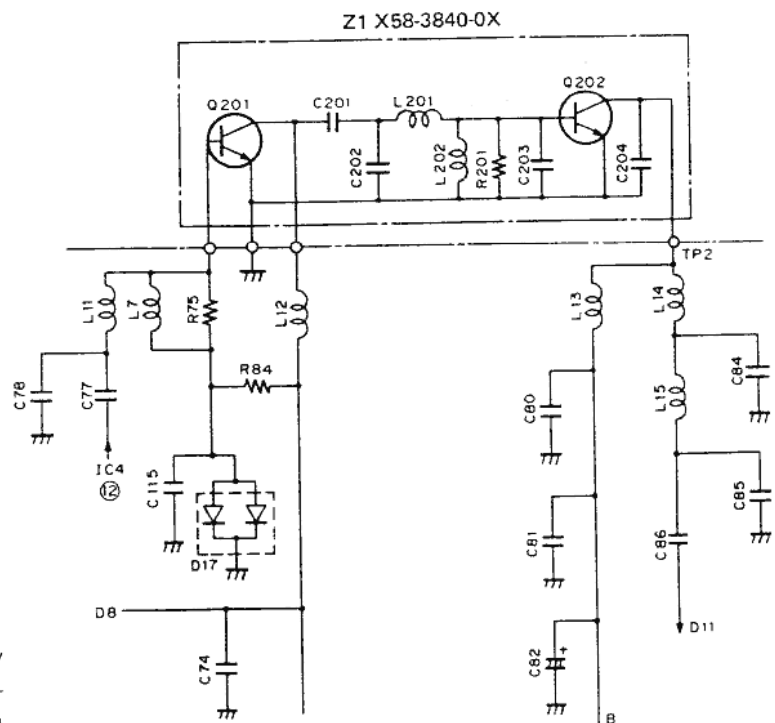


Fig. 6 Power amplifier circuit

CIRCUIT DESCRIPTION

● APC circuit

The automatic transmission output control circuit (APC) detects and partially amplifies the power amplifier output with a diode, and controls the output control voltage. The control voltage is output in inverse proportion to the output, so the control voltage output is always constant. To protect the radio against excessive temperature rise, the high-power unit has a thermal switch. The high-power unit is automatically set to a low

power by the thermal switch if it exceeds the specified temperature.

● LPF circuit

The low-pass filter sets the pole to the second and third harmonics, and cuts the frequency, by having the polar Chebyshev characteristics. To cut high frequencies, a filter with Chebyshev characteristics is used before the antenna.

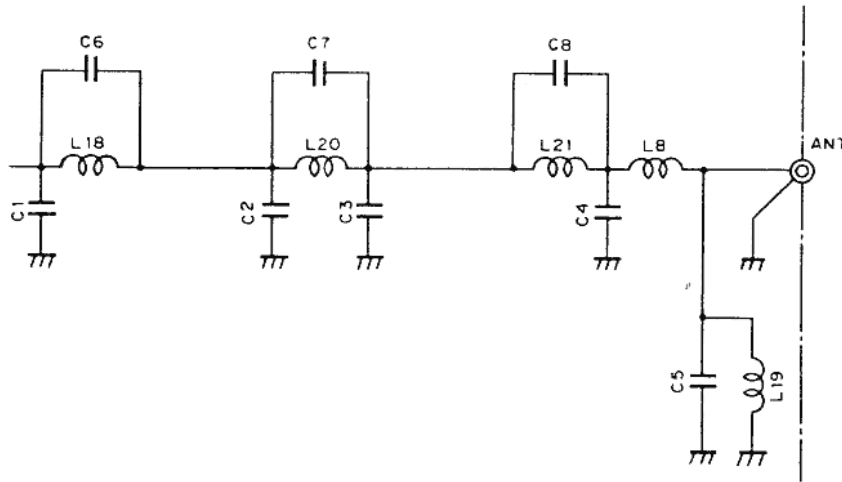


Fig. 7 LPF Circuit

● 8T (8 V during transmission) and unlock signal

The signal output from pin 4 of IC1 is high during reception, Q13 is turned on, and Q14 and Q11 are turned off. No voltage appears at the collector (8T) of Q11. Serial data is output from the control unit during transmission and input to shift register IC1. Pin 4 of IC1 is then made low. Therefore, Q13 is turned off, Q14 and

Q11 are turned on. An 8 V voltage is applied to the collector (8T) of Q11.

If the PLL circuit is unlocked during transmission, the LD pin goes low, Q24 is turned off, Q13 is turned on, Q14 is turned off, Q11 for 8T switching control is turned off, and the 8T line does not operate.

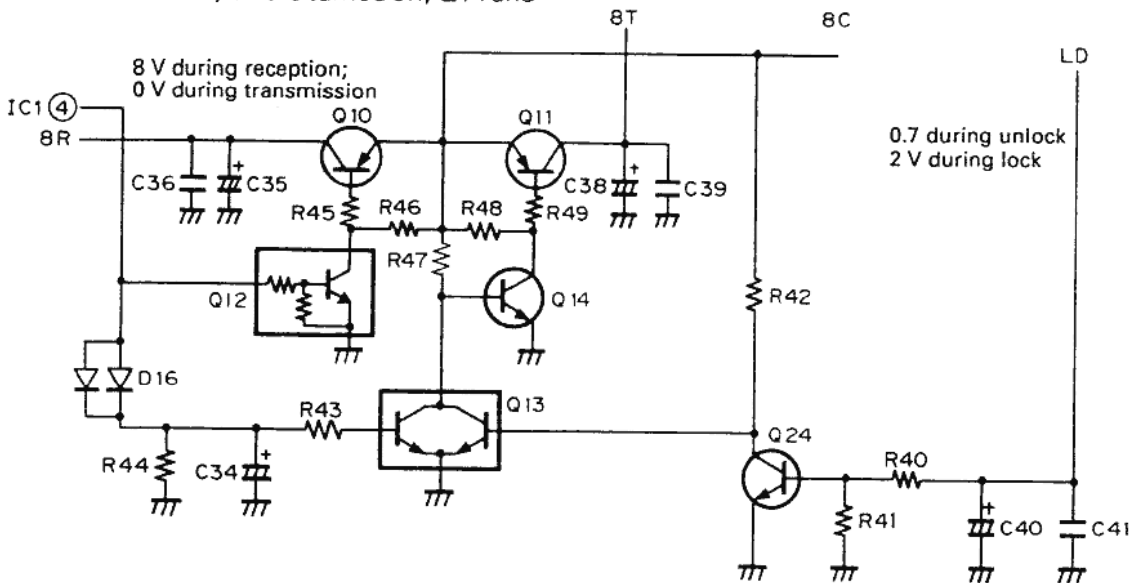


Fig. 8

CIRCUIT DESCRIPTION

● 50 TX-RX Unit PLL Synthesizer

The VCO and PLL circuits are housed in a solid shielding case as a hybrid integrated circuit. Comparison frequencies are produced by dividing a 11.05 MHz reference oscillation frequency by 2210 to correspond to the 5, 10, 15, 20, and 25 kHz channel steps.

For 50 MHz, the relationship between f_{VCO} (RX) and each frequency division ratio is given by

$$f_{VCO} = (50 + 10.595) = ((n \times 64) + A) \times f_{OSC} / R$$

Where: f_{VCO} = VCO output frequency

n: Binary 10-bit programmable counter setting value

A: Binary 6-bit programmable counter setting value

f_{OSC} : Reference oscillation frequency of 11.05 MHz

R: Binary 16-bit programmable counter setting value

In this case, n is 189, and A is 23.

$$\text{Therefore, } f_{VCO} = ((189 \times 64) + 23) \times 11050 / 2210$$

$$= (12096 + 23) \times 5$$

$$= 60.595 \text{ MHz}$$

The following table lists the pin functions of the PLL circuit:

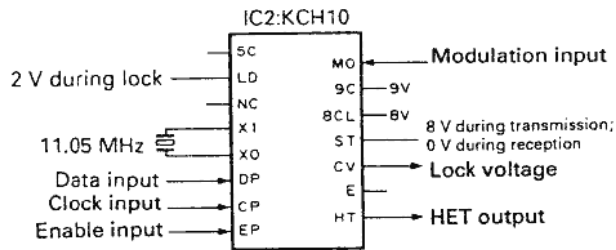


Fig. 9

Pin name	Function	Pin name	Function
5C	5V	MO	Modulation signal input
LD	Lock signal (2 V during locking)	9C	9V
NC	Unused	8C	8 V (ripple filter)
XI XO	11.05 MHz crystal oscillation	ST	8 V during transmission; 0 V during reception
	Data input	CV	Lock voltage output
DP	Clock input	E	GND
CP	Enable input	HT	HET output
EP			

Table 8 PLL circuit pin functions

CIRCUIT DESCRIPTION

TM-741/UT-144

144 TX-RX Unit Frequency Configuration

The 144 MHz unit incorporates a digital variable-frequency oscillator (VFO) that can freely select a channel step of 5, 10, 12.5, 15, 20, or 25 kHz with a Phase-Locked-Loop (PLL) synthesizer system.

The frequency in the receive signal channel is mixed with a first local oscillation frequency of 133.300-137.295 MHz to produce a first intermediate frequency of 10.7

MHz. This frequency is then mixed with a second local oscillation frequency of 10.245 MHz to produce a second intermediate frequency of 455 kHz. This is called a double-conversion system.

The signal in the transmission channel is directly oscillated and frequency-divided by a PLL circuit, amplified by a straight amplifier, then transmitted.

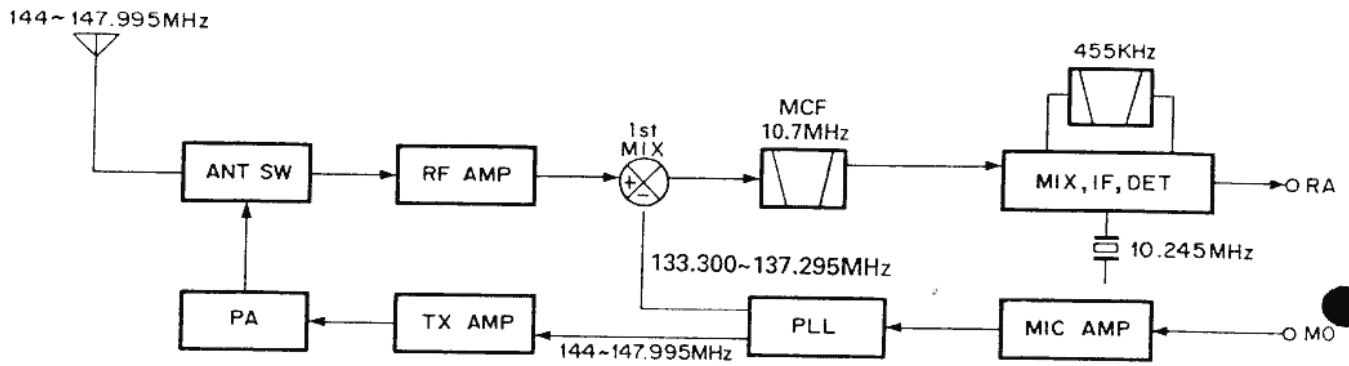


Fig. 10 Frequency configuration

144 TX-RX Unit Receive Signal Channel

• Outline

For the 144 MHz unit, the received signal from an antenna is passed through a low-pass filter in the final transmission stage and sent through a transmission/reception selection diode switch to the receiving front end. The signal is then passed through an antenna matching coil and amplified to high frequencies by a

GaAs (gallium arsenide) field-effect transistor. The unwanted components of the signal are eliminated by a bandpass filter consisting of a three-stage variable capacitor. The resultant signal is sent to the first mixer, mixed with the first local signal from a PLL circuit, then converted to a first intermediate frequency of 10.7 MHz. The unwanted near-by signal components are then eliminated by a two-stage MCF.

Item	Rating
Nominal center frequency (fo)	10.7MHz
Pass band width	±7.5kHz or less at 3dB
Attenuation band width	±25kHz or less at 40dB ±45kHz or less at 60dB
Ripple	1.0dB or less
Insertion loss	1.5dB or less
Guaranteed attenuation	70dB or more within ±1MHz (Spurious : 40dB or more at fo - fo + 500kHz) 80dB or more at fo - (900 - 920kHz)
Terminating impedance	3kΩ/0pF

Table 9 MCF (L71-0228-05) (114 TX-RX unit XF1)

Item	Rating
Nominal center frequency	455kHz ± 1kHz
6dB bandwidth	±6kHz or more (from 455kHz)
50dB bandwidth	±12.5kHz or less (from 455kHz)
Ripple (within ±4kHz of 455kHz)	3dB or less
Insertion loss	6dB or less
Guaranteed attenuation (within ±100kHz of 455kHz)	35dB or more
I/O matching impedance	2.0kΩ

Table 10 Ceramic filter CFWM455F (L72-0372-05) (144 TX-RX unit CF1)

CIRCUIT DESCRIPTION

The first intermediate-frequency signal is amplified and input to FM IF HIC IC5 (KCD04). This signal is then mixed with a second local oscillation frequency of 10.245MHz to produce a second intermediate-frequency signal of 455 kHz. The unwanted near-by signal components are then eliminated by an FM ceramic filter. The resultant signal is input to IC5 again, amplified to a second intermediate-frequency signal, and detected to produce an audio signal.

- **Signal-strength meter**

The signal-strength meter output voltage of FM IF HIC IC5 (KCD04) is supplied to the control unit.

- **Shift-register circuit**

The ES, CK, and DT serial data from the control unit are sent to IC1 (BU4094BF) to perform the control operation outlined in the following table:

Pin NO.	Name	Function	Pin No.	Name	Function
1	Strobe	Enable input	9	Q ₅	
2	Data	Serial data input	10	Q ₅ '	
3	Clock	Clock input	11	Q ₈	TX/RX selection. "H" when TX is set.
4	Q1	TX/RX selection. "L" when TX is set	12	Q ₇	439/144 MHz selection. "H" when 144MHz is set.
5	Q2	TX power selection. "L" when middle and low. "H" when high.	13	Q ₆	
6	Q3	TX power selection. "L" when high and low. "H" when middle.	14	Q ₅	
7	Q4		15	OE	8V
8	V _{ss}	GND	16	V _{DD}	8V

Table 11

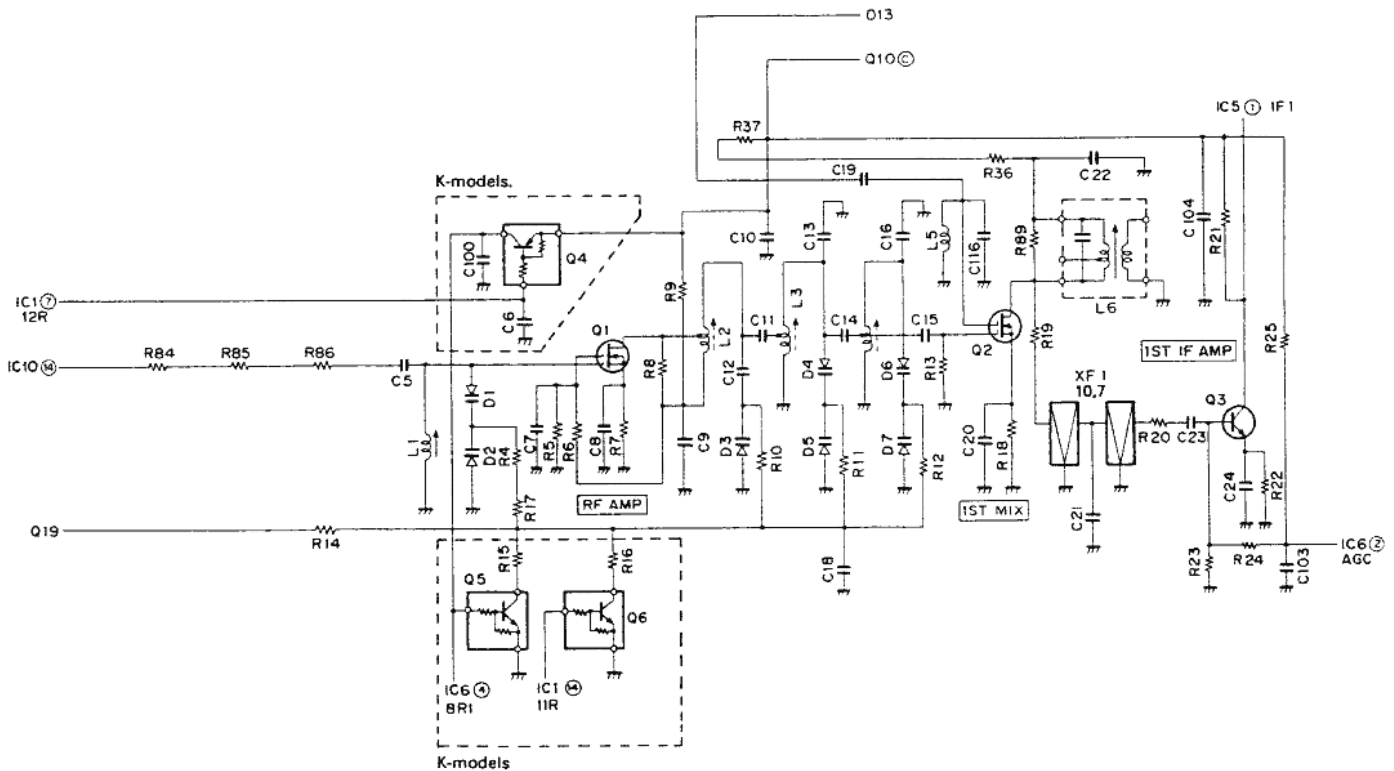


Fig. 11

CIRCUIT DESCRIPTION

144 TX-RX Unit Transmit Signal Channel

- **Outline**

In the transmission channel, the desired frequency is directly oscillated and directly frequency modulated by means of a varicap diode.

- **Modulator circuit**

The audio signal from the control unit is input to microphone amplifier HIC IC7 (KCA04). IC4 consists of a preemphasis circuit, amplifier, limiter, and splatter circuit that eliminate unwanted high-frequency components. The voltage-controlled oscillator (VCO) signal is directly frequency modulated by means of a varicap diode in the frequency modulator circuit.

- **Younger-stage circuit**

The signal output from the VCO is input to drive circuit HIC IC8 (KCB11). The amplifier can obtain a stable drive output without adjustment because it has a wide band. An APC circuit controls the collector voltage in the younger final stage.

- **Power amplifier circuit**

A drive signal is input to power module IC10 and amplified to the specified level.

- **APC circuit**

The automatic transmission output control circuit (APC) detects and partially amplifies the power module output with a diode and controls the output control voltage. The control voltage is output in inverse proportion to the output, so the control voltage output is always constant. To protect the set against excessive temperature rise, the high-power unit has a thermal switch. The high-power unit is automatically set to a low power by the thermal switch when it exceeds the specified temperature.

144 TX-RX Unit PLL Synthesizer

The VCO and PLL circuit are housed in a solid shielding case as a hybrid integrated circuit. Comparison frequencies of 6.25 kHz and 5 kHz are produced by dividing a 12.8 MHz reference oscillation frequency by 2048 and 2560 to correspond to 5, 10, 12.5, 15, 20, and 25 kHz channel steps.

For 144 MHz, the relationship between f_{VCO} (RX)

and each frequency division ratio is given by $f_{VCO} = (144 - 10.7) = \{(n \times 128) + A\} \times f_{osc} + R$

Where: f_{VCO} = VCO output frequency

n : Binary 10-bit programmable counter setting value

A : Binary 7-bit programmable counter setting value

f_{osc} : Reference oscillation frequency of 12.8 MHz

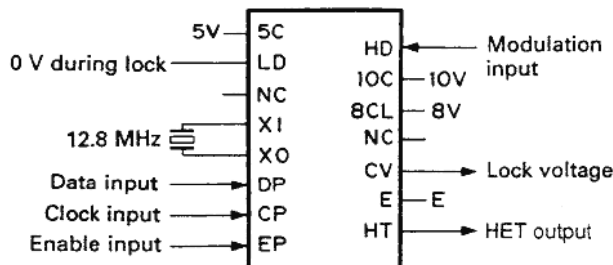


Fig. 12 IC11 KCH05

R: Binary 14-bit programmable counter setting value 2048

In this case, n is 208, and A is 36.

$$\begin{aligned} \text{Therefore, } f_{VCO} &= \{(208 \times 128) + 36\} \times 12800 / 2560 \\ &= \{26624 + 37\} \times 5 \\ &= 133300 \text{ kHz} = 133.300 \text{ MHz} \end{aligned}$$

The following table lists the pin functions of the PLL circuit:

Pin name	Function	Pin name	Function
5C	5V	MO	Modulation signal input
LD	Lock signal (on during lock)	10C	10V
NC	Unused	8CL	8V (ripple filter)
XI	12.8 MHz crystal oscillation	NC	Unused
XO		CV	Lock voltage output
DP	Data input	E	GND
CP	Clock input	HT	HET output
EP	Enable input		

Table 12

CIRCUIT DESCRIPTION

• 8T (8 V during transmission) and unlock signal

A 0.7 V voltage is applied to the base of Q13 during reception, Q13 is set on, Q14 is set off, and Q11 is set off. No voltage appears at the collector (8T) of Q11. Serial data is output from the control unit during transmission and input to shift register IC1. Pin 4 of IC1 is then set low. Therefore, Q13 is changed from on to off, Q14 from off to on, and Q11 from off to on. An 8 V

voltage is applied to the collector (8T) of Q11.

An unlock circuit is activated only during transmission. The LD signal output from the PLL circuit is ORed with the signal at pin 4 of IC1 using D11 as shown in the figure, so the LD signal is set high during unlock. Therefore, no voltage appears at the collector (8T) of Q11 and no transmission wave is output to the reception state.

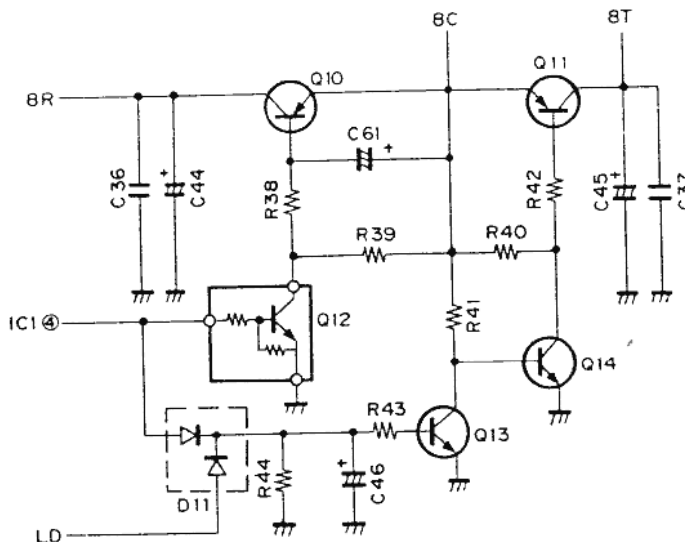


Fig. 13

UT-220S

220 TX-RX Unit Frequency Configuration

The 220 MHz unit incorporates a variable frequency oscillator (VFO), based on a phase-locked-loop (PLL) synthesizer system, that allows a channel step of 5, 10, 12.5, 15, 20, or 25 kHz to be selected. The frequency in the receive signal channel is mixed with a first local oscillation frequency of 189.175-194.17 MHz to produce

a first intermediate frequency (IF) of 30.825 MHz. This frequency is then mixed with a second local oscillation frequency of 30.37 MHz to produce a second IF of 455 kHz. This is called a double-conversion system. The signal in the transmission channel is produced by direct oscillation, and is frequency-divided by a PLL circuit, amplified by a linear amplifier, then transmitted.

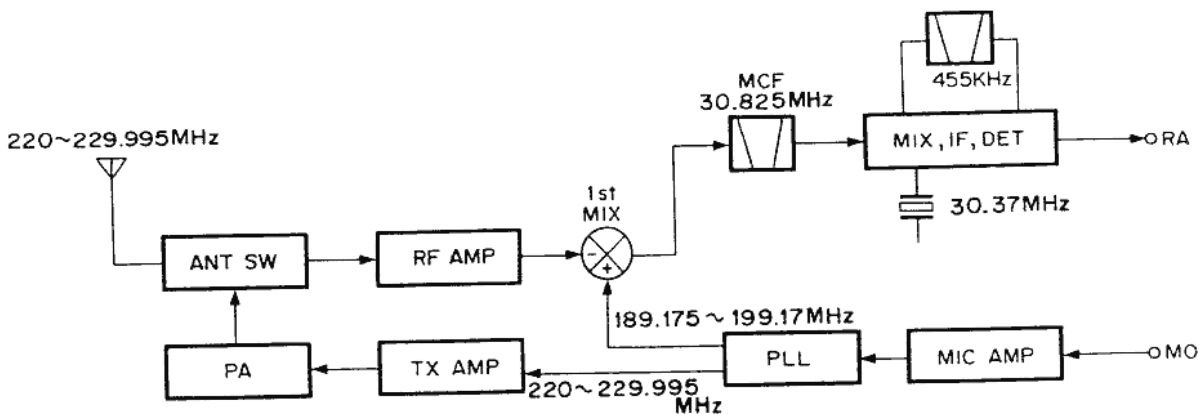


Fig. 14 Frequency configuration

CIRCUIT DESCRIPTION

220 TX-RX Unit Receive Signal Channel

● Outline

The received signal from the antenna passes through a low-pass filter in the final transmission stage and then through a transmission/reception selection diode switch to the receiving front end. The signal then passes through an antenna matching coil and is amplified to high frequencies by a GaAs (gallium arsenide) field-effect transistor. The unwanted components of the signal are eliminated by a bandpass filter consisting of a three-stage variable capacitor. The resulting signal goes to the first mixer (GaAs field-effect transistor), is mixed with the first local signal from the PLL circuit, then converted to a first IF of 30.825 MHz. The unwanted near-by signal components are then eliminated by a two-stage MCF.

The first IF signal is amplified and input to FM IF HIC IC5 (KCD04). This signal is then mixed with the second local oscillation frequency of 30.37 MHz to produce the second IF signal of 455 kHz. The unwanted near-by signal components are then eliminated by an FM ceramic filter. The resulting signal is input to IC5 again, amplified to the second IF signal, and detected to produce an audio signal.

Item	Rating
Center frequency (fo)	30.825 MHz
Pass bandwidth	± 7.5 kHz or more at 3 dB
Attenuation bandwidth	± 28 kHz or less at 40 dB
Guaranteed attenuation	60 dB or more within Fo ± 1 MHz (Spurious: 40 dB or more)
Ripple	1.5 dB or less
Insertion loss	3 dB or less
Terminating impedance	4.7 kΩ/0pF

Table 13 MCF (L71-0420-05) (220 TX-RX unit XF1)

Item	Rating
Nominal center frequency	455KHz
6 dB bandwidth	± 6 kHz or more (from 455 kHz)
50 dB bandwidth	± 12.5 kHz or less (from 455 kHz)
Ripple (within ± 5 kHz of 455 kHz)	3 dB or less
Insertion loss (at maximum output point)	6 dB or less
Guaranteed attenuation (within ± 100 kHz of 455 kHz)	35 dB or more
I/O matcing impedance	2.0kΩ

Table 14 Ceramic filter CFWM455F (L72-0372-05) (220TX-RX unit CF1)

● Signal-strength meter

The signal-strength meter output voltage of FM IF HIC IC5 (KCD04) is supplied to the control unit.

● Shift-register circuit

The ES, CK, and DT serial data from the control unit are sent to IC1 (BU4094BF) to perform the control operation outlined in the following table:

Pin No.	Name	Function
1	Strobe	Enable input
2	Data	Serial data input
3	Clock	Clock input
4	Q1	TX/RX selection. Low when TX is set.
5	Q2	TX power selection. Low when middle and low. High when high.
6	Q3	TX power selection. Low when high and low. High when middle.
7	Q4	
9	Q3	
10	Q3	
11	Q8	
12	Q7	
13	Q6	
14	Q5	
15	QE	8V

Table 15

Downloaded by
 Amateur Radio Directory

www.hamdirectory.info

CIRCUIT DESCRIPTION

220 TX-RX Unit Transmit Signal Channel

● Outline

In the transmission channel, the desired frequency is produced by direct oscillation, and is directly frequency modulated by means of a varicap diode.

● Modulator circuit

The audio signal from the control unit is input to microphone amplifier HIC IC7 (KCA04). IC4 consists of a preemphasis circuit, amplifier, limiter, and splatter circuit that eliminates unwanted high-frequency components. The voltage-controlled oscillator (VFO) signal is directly frequency modulated by means of a varicap diode in the frequency modulator circuit.

● Younger-stage circuit

The signal output from the VCO is input to drive circuit HIC IC8 (KCB15). The amplifier can obtain a stable drive output without adjustment because it has a large bandwidth. An APC circuit controls the collector voltage in the Younger final stage.

● Power amplifier circuit

The drive signal is input to power module IC10 and amplified to the specified level.

● APC circuit

The automatic transmission output control circuit (APC) detects and partially amplifies the power amplifier output with a diode and controls the output control voltage. The control voltage is output in inverse proportion to the output, so the control voltage output is always constant.

● 8T (8 V during transmission) and unlock signal

A 0.7 V voltage is applied to the base of Q13 during reception, Q13 is turned on, and Q14 and Q11 are turned off. No voltage appears at the collector (8T) of Q11. Serial data is output from the control unit during transmission and input to shift register IC1. Pin 4 of IC1 is then made low. Therefore, Q13 is turned off, and Q14 and Q11 are turned on. An 8 V voltage is applied to the collector (8T) of Q11.

The unlock circuit is activated only during transmission. The LD pin signal output from the PLL circuit is ORed with the signal at pin 4 of IC1 using D11, as shown in the figure, so the LD signal is made high during unlock. Therefore, no voltage appears at the collector (8T) of Q11, and no transmission signal is output during reception.

220 TX-RX Unit PLL Synthesizer

The VCO and PLL circuits are housed in a solid shielding case as a hybrid integrated circuit. Comparison frequencies are produced by dividing a 12.8 MHz reference oscillation frequency by 2248 and 2560 to correspond to the 5, 10, 12.5, 15, 20, and 25 kHz channel steps.

For 220 MHz, the relationship between f_{VCO} (RX) and each frequency division ratio is given by

$$f_{VCO} = (220 + 30.825) = ((n \times 128) + A) \times f_{osc} / R$$

Where: f_{VCO} = VCO output frequency

n: Binary 10-bit programmable counter setting value

A: Binary 7-bit programmable counter setting value

f_{osc} : Reference oscillation frequency of 12.8 MHz

R: Binary 10-bit programmable counter setting value 2560

In this case, n is 295, and A is 75.

$$\begin{aligned} \text{Therefore, } f_{VCO} &= ((295 \times 128) + 75) \times 12800 / 2560 \\ &= (33760 + 75) \times 5 \\ &= 189.175 \text{ MHz} \end{aligned}$$

The following table lists the pin functions of the PLL circuit:

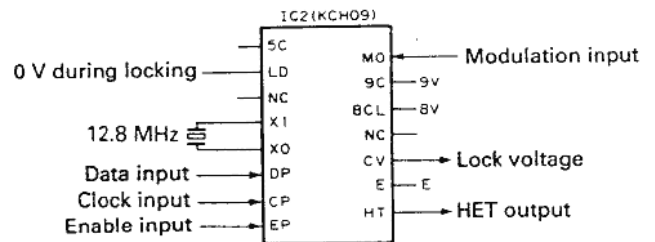


Fig. 15

Pin name	Function	Pin name	Function
5C	5V	MO	Modulation signal input
LD	Lock signal (0 V during locking)	9C	9V
NC	Unused	8CL	8 V (ripple filter)
XI	12.8 MHz crystal oscillation	NC	
XO		CV	Lock voltage output
DP	Data input	E	GND
CP	Clock input	HT	HET output
EP	Enable input		

Table 16 PLL circuit pin functions

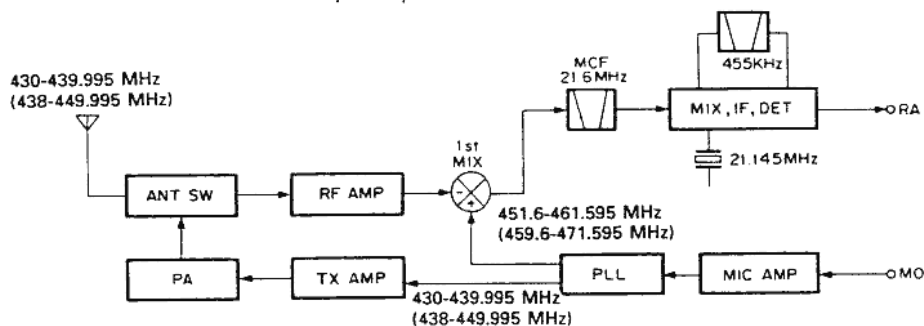
CIRCUIT DESCRIPTION

430 TX-RX Unit Frequency Configuration

The 430 MHz unit incorporates a digital variable-frequency oscillator (VFO) that can freely select a channel step of 5, 10, 12.5, 15, 20, or 25 kHz with a PLL synthesizer system. The frequency in the receive signal channel is mixed with a first local oscillation frequency of 451.6-461.595 MHz (459.6-471.595 MHz for K-models) to produce a first intermediate frequency

of 21.6 MHz. The frequency is then mixed with a second local oscillation frequency of 21.145 MHz to produce a second intermediate frequency of 455 kHz. This is called a double-conversion system.

The signal in the transmission channel is directly oscillated and frequency-divided by a PLL circuit, amplified by a straight amplifier, then transmitted.



* The alphanumeric characters enclosed in parentheses are used for K-models.

Fig. 16 Frequency Configuration

430 TX-RX Unit Receive Signal Channel

● Outline

A 430 MHz band antenna input signal is passed through the antenna selection diode in the final stage and sent through a front-stage antenna matching coil to the high-frequency two-stage amplifier and helical block of a GaAs (gallium arsenide) FET and junction FET. The signal is then input to the first mixer. The first mixer input signal is mixed with the first local signal from the PLL circuit and converted to a first intermediate-frequency signal of 21.6 MHz. The unwanted near-by components are then eliminated by a two-stage MCF.

The first intermediate-frequency signal is amplified and input to FM IF HIC IC1 (KCD04). This signal is then mixed with a second local oscillation frequency of

21.145 kHz to produce a second intermediate frequency of 455 kHz. The unwanted near-by components of the intermediate-frequency signal are eliminated by an FM ceramic filter. The intermediate-frequency signal is input to IC1 again. The second intermediate-frequency signal is amplified and detected by IC1 to produce an audio signal.

● Signal-strength meter

The signal-strength meter output voltage of FM IF HIC IC1 (KCD04) is supplied to the control unit.

● Shift-register circuit

The ES, CK, and DT serial data from the control unit are sent to IC3 (BU4094BF) to perform the control operation outlined in the following table:

Pin No.	Name	Function	Pin No.	Name	Function
1	Strobe	Enable input	9	Q _s	
2	Data	Serial data input	10	Q' _s	
3	Clock	Clock input	11	Q8	
4	Q1	TX/RX selection. "L" when TX is set	12	Q7	
5	Q2	TX power selection. "L" when middle and low. "H" when high.	13	Q6	
6	Q3	TX power selection. "L" when high and low. "H" when middle.	14	Q5	
7	Q4		15	OE	8V
8	V _{ss}	GND	16	V _{DD}	8V

Table 17

CIRCUIT DESCRIPTION

430 TX-RX Unit Transmit Signal Channel

• Outline

In the transmission channel, the desired frequency is directly oscillated and directly frequency modulated by means of a varicap diode.

• Modulator circuit

The audio signal from the control unit is input to microphone amplifier HIC IC2 (KCA04). IC4 consists of a preemphasis circuit, amplifier, limiter, and splatter circuit that eliminate unwanted high-frequency components. The VCO signal is directly frequency modulated by a varicap diode in the frequency modulator circuit.

• Younger-stage circuit

The signal output from the VCO is input to drive circuit HIC IC6 (KCB14). The amplifier can obtain a stable drive output without adjustment because it has a wide

band. An APC circuit controls the collector voltage in the younger final stage.

• Power amplifier circuit

A drive signal is input to power module IC7 and amplified to the specified level.

• APC circuit

The automatic transmission output control circuit (APC) detects and partially amplifies the power module output with a diode and controls the output control voltage. The control voltage is output in inverse proportion to the output, so the control voltage output is always constant. To protect the set against excessive temperature rise, the high-power unit has a thermal switch. The high-power unit is automatically set to a low power by the thermal switch when it exceeds the specified temperature.

430 TX-RX Unit PLL Synthesizer

The VCO and PLL circuit are housed in a solid shielding case as a hybrid integrated circuit. Comparison frequencies of 6.25 and 5 kHz are produced by dividing a 12.8 MHz reference oscillation frequency by 2048 and 2560 to correspond to 5, 10, 12.5, 15, 20, or 25 kHz channel steps.

For 430 MHz, the relationship between f_{VCO} (RX) and each frequency division ratio is given by

$$f_{VCO} = (430 + 21.6) = ((n \times 128) + A) \times f_{osc} + R$$

Where: f_{VCO} = VCO output frequency

n: Binary 10-bit programmable counter setting value

A: Binary 7-bit programmable counter setting value

f_{osc} = Reference oscillation frequency of 12.8 MHz

R: Binary 14-bit programmable counter setting value
2560 (in 5, 10, 15, and 20 kHz steps)

2048 (in 12.5 and 25 kHz steps)

In 5, 10, 15, and 20 kHz steps, n is 705 and A is 80.

Therefore, $f_{VCO} = (705 \times 128) \times 12800 / 2560$

$$= (90240 + 80) \times 5$$

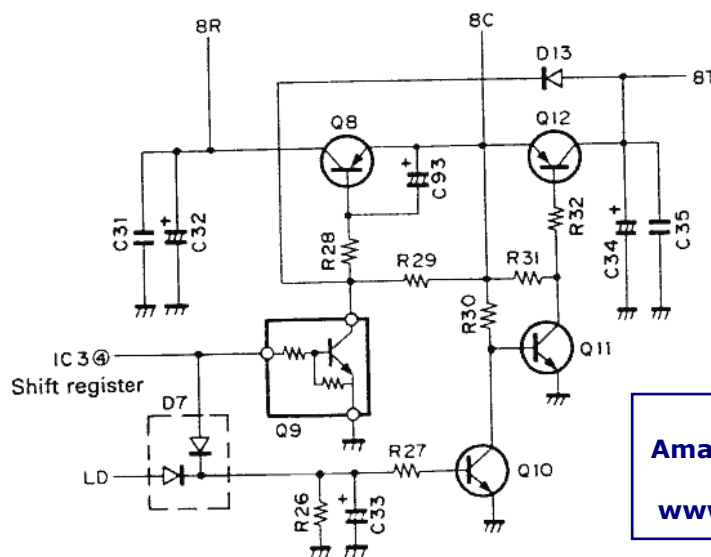
$$= 451600$$

$$= 451.6 \text{ MHz}$$

See the 144 MHz band unit (X57-3580-00) for the function of each pin of IC10 in the PLL circuit.

• 8T (8 V during transmission) and unlock signal

See the 144 TX/RX unit description on page 13. (The figure on the under indicates the 430 MHz unit.)



Downloaded by
Amateur Radio Directory

www.hamdirectory.info

Fig. 17

CIRCUIT DESCRIPTION

1200 TX-RX Unit Frequency Configuration

The 1200 MHz unit incorporates a digital variable-frequency oscillator (VFO) that freely can select a channel step of 10, 12.5, 20, or 25 kHz with a PLL synthesizer system.

The frequency in the receive signal channel is mixed with a frequency of 1200.3 to 1240.20 MHz obtained when a first local oscillation frequency of 600.15 to 620.145 MHz is multiplied by 2 to produce a first

intermediate frequency of 59.7 MHz. This frequency is then mixed with a second local oscillation frequency of 59.245 MHz to produce a second intermediate frequency of 455 kHz. This is called a double-conversion system.

The signal in the transmission channel is oscillated and frequency-divided by a PLL circuit, then multiplied the frequency of 630 to 649.995 MHz by two to produce a frequency of 1260 to 1299.99 MHz. This signal is amplified by a straight amplifier, then transmitted.

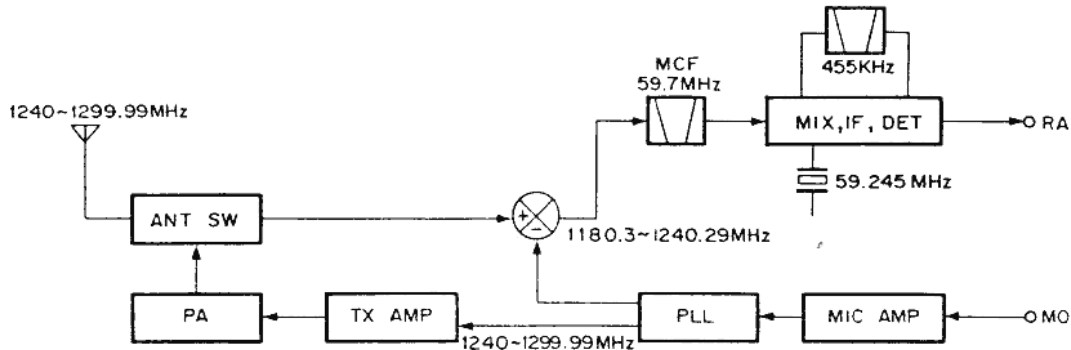


Fig. 18 Frequency Configuration

1200 TX-RX Unit Receive Signal Channel

• Outline

The received signal from an antenna is passed through a low-pass filter in the transmission final stage and sent through a transmission/reception selection diode switch to the receiving front end. The signal is then amplified to high frequencies by a microwave GaAs (gallium arsenide) FET and sent to a dielectric filter. The unwanted components of the signal are eliminated by a microwave transistor in another stage and the dielectric filter. The resultant signal is input to the first mixer. The front end block is matched by a microstrip line to ensure high sensitivity and high reliability. A GaAs FET is used in the first mixer to obtain a good two-signal characteristic. This signal is mixed with the first local signal from a PLL circuit by the first mixer and converted to a first intermediate frequency of 59.7 MHz. The unwanted near-by signal components are eliminated by a two-stage MCF. The

resultant signal is produced as a first intermediate-frequency signal.

The first intermediate-frequency signal is amplified and input to FM IF HIC IC2 (KCD04). This signal is then mixed with a second local oscillation frequency of 59.245 kHz to produce a second intermediate frequency of 455 kHz. The intermediate-frequency signal is passed through a ceramic filter to obtain a sharp characteristic. The signal is then input to an HIC again, amplified, then demodulated and output from the HIC.

• Signal-strength meter

The signal-strength meter output voltage of FM IF HIC IC2 (KCD04) is supplied to the control unit.

• Shift-register circuit

The FS, CK, and DT serial data from the control unit are sent to IC5 (BU4094BF) to perform the control operation outlined in the following table:

CIRCUIT DESCRIPTION

Pin No.	Name	Function	Pin No.	Name	Function
1	Strobe	Enable input	9	Q _s	
2	Data	Serial data input	10	Q' _s	
3	Clock	Clock input	11	Q8	TX/RX selection. "L" when TX is set (Set low faster than Q1).
4	Q1	TX/RX selection. "L" when TX is set	12	Q7	ALT. "H" when on.
5	Q2	TX power selection. "L" when middle and low. "H" when high.	13	Q6	
6	Q3	TX power selection. "L" when high and low. "H" when middle.	14	Q5	
7	Q4		15	QE	8V
8	V _{ss}	GND	16	V _{DD}	8V

Table 18

1200 TX-RX Unit Transmit Signal Channel

- **Outline**

In the transmission channel, the desired frequency is oscillated by half and directly frequency modulated by means of a varicap diode.

- **Modulator circuit**

The audio signal from the control unit is input to microphone amplifier HIC IC4 (KCA04). IC4 consists of a preemphasis circuit, amplifier, limiter, and splatter circuit that eliminate unwanted high-frequency components. The VCO signal is directly frequency modulated by means of a varicap diode in the frequency modulator circuit.

- **Younger-stage circuit**

The signal output from the VCO is input to predrive circuit IC7 (KCB09). The amplifier can obtain a stable drive output without adjustment because it has a wide band.

- **Power amplifier circuit**

The signal amplified in the predrive stage is amplified again by drive circuit HIC IC8 (KCB10), then input to power module IC10 and amplified to the specified level.

- **APC circuit**

The automatic transmission output control circuit (APC) detects and partially amplifies the power module output with a diode and controls the output control voltage. The control voltage is output in inverse proportion to the output, so the control voltage output is always constant.

- **Antenna selection circuit**

Figure 19 shows the antenna selection circuit. The receiver circuit obtains a low insertion loss and isolation with a two-stage breaker circuit consisting of a $\lambda/4$ strip circuit.

The pin diode used as a switching device has a low junction capacitance. The high-frequency capacitance of the diode does not depend on the reverse bias voltage.

Figure 20 shows the equivalent circuit during transmission. A current flows through each diode using 8T. The impedance becomes very low. At that time, the receiver side uses a $\lambda/4$ strip circuit. Therefore, the impedance becomes very high when the receiver side is viewed from point (A). The voltage from a power module is transferred to the antenna.

Figure 21 shows the equivalent circuit during reception. The bias is switched off, so each diode is in a high-resistance state. The antenna and receiving circuit are connected by a strip line.

CIRCUIT DESCRIPTION

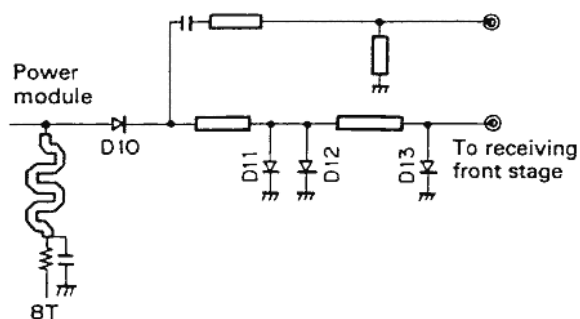


Fig. 19 Antenna Selection Circuit

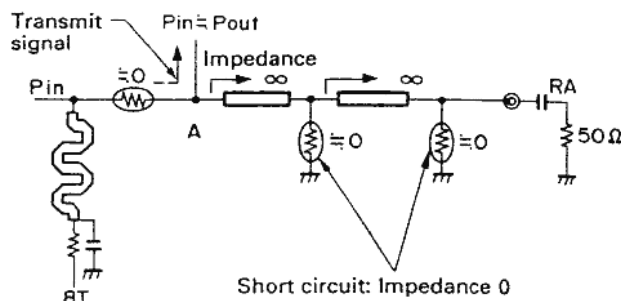


Fig. 20 Equivalent Circuit during Transmission

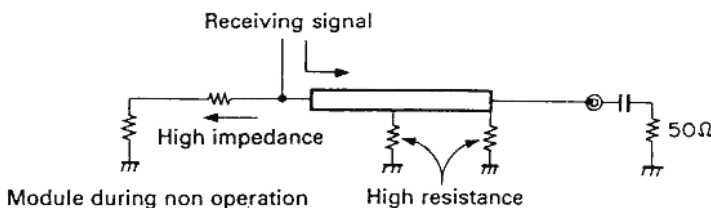


Fig. 21 Equivalent Circuit during Reception

1200 TX-RX Unit PLL Synthesizer

The VCO and PLL circuit are housed in 2 solid shielding case as a hybrid integrated circuit. This reduces the electrical and mechanical influence and ensures frequency stability.

The VCO and PLL circuit double the higher harmonics by oscillating and locking a 600 MHz frequency to produce a 1200 MHz band frequency. Comparison frequencies of 5 kHz and 6.25 kHz are produced by dividing a 12.8 MHz frequency of the TCXD by 2560 and 2048 to correspond to 10, 12.5, 20, and 25 kHz channel steps.

The relationship between $f_{VCO}(RX)$ and each frequency division is given by

$$f_{VCO}(RX) = (f_{RX} - 59.7) / 2 = \{(n \times 128) + A\} \times f_{OSC} + R$$

Where: $f_{VCO}(RX)$ = Previous output frequency that is multiplied by 2 during VCO reception

f_{RX} : Reception frequency

n : Binary 10-bit programmable counter setting value

A : Binary 7-bit programmable counter setting value

f_{OSC} : Reference oscillation frequency of 12.8 MHz (TXCO)

R : Binary 14-bit programmable reference counter setting value

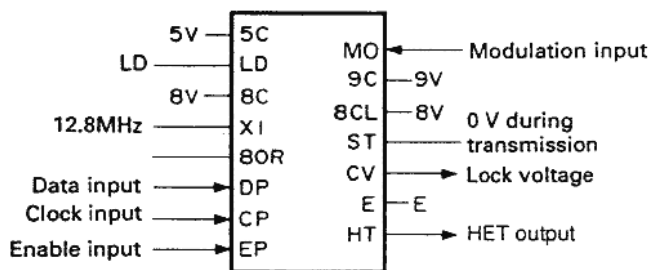
2048 (in 12.5 and 25 kHz steps)

2560 (in 10 and 20 kHz steps)

For 1260 MHz,

$$\begin{aligned} f_{VCO}(RX) &= (1260 - 59.7) \\ &= \{(n \times 180) + A\} \times 12800 + 2560 \\ &= 600.15 \text{ MHz} \end{aligned}$$

In this case, n is 937 and A is 94.



The same as for the 144 MHz unit except 8 V shown in the figure above.

Fig. 22 PLL pin description

Pin name	Function	Pin name	Function
5C	5V	MO	Modulation signal input
LD	Lock signal (on during lock)	9C	9V
NC	Unused	8CL	8V (ripple filter)
XI	12.8 MHz crystal oscillation	ST	0 V during transmission
80R		CV	Lock voltage
DP	Data input	E	GND
CP	Clock input	HT	HET output
EP	Enable input		

Table 19

CIRCUIT DESCRIPTION

- **Unlock circuit**

When a PLL circuit is unlocked during transmission, the LD pin of a IC11 set low and Q12 is set off. Q11 is then set on. The 8T line is not activated when 8T switching control circuit Q13 is set off.

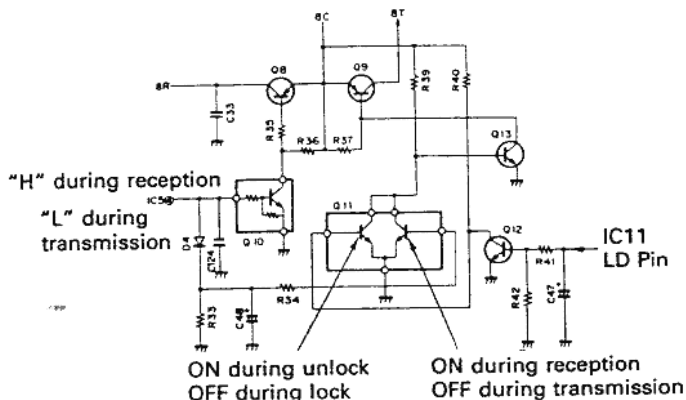


Fig. 23 Unlock Circuit

TM-641/741

Digital Control Block

- **Outline**

The digital control block is classified into a panel block and control unit block. The panel block consists of a key, rotary encoder input circuit, and display circuit. The control unit block consists of reset and backup circuits, a tone output circuit, and a microphone tone input circuit.

- **Predrive circuit HIC (KCB09)**

The VCO output is amplified by Q22, then input to pre-drive circuit HIC IC7. An average 22 to 23 dBm output is obtained by inputting 0 dBm through three-stage (2SC4093 and 2SC3357 x 2) amplification. An alumina board and hybrid integrated circuit are used to ensure stable circuit operation.

- **Drive circuit HIC (KCB10)**

The VCO output is amplified by KCB09, then input to drive circuit HIC. An average 29 dBm output is obtained by inputting 20 dBm through one-stage (2SC3814) amplification. An integrated radiation plate and alumina board are used to attain a stable output against heating.

- **ALT**

It is almost the same circuit construction as the TM-531A/E.

Refer to page 6 in the TM-531A/E service manual for more information.

- **Panel and control unit data communication circuit**

Figure 24 shows the panel and control unit data communication circuit. The S0 pin indicates serial data output and the S1 pin serial data input. An inverter is inserted for microcomputer port protection.

The data communication system is asynchronous, and the communication data rate is 19,200 bps. This data rate is about 16 times that of RC-20 and about 4 times those of other companies. The connection is checked every 0.5 second by a microcomputer on the control unit. Therefore, the power is switched off when the panel block is removed.

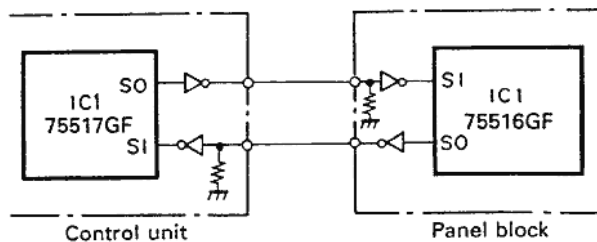


Fig. 24

CIRCUIT DESCRIPTION

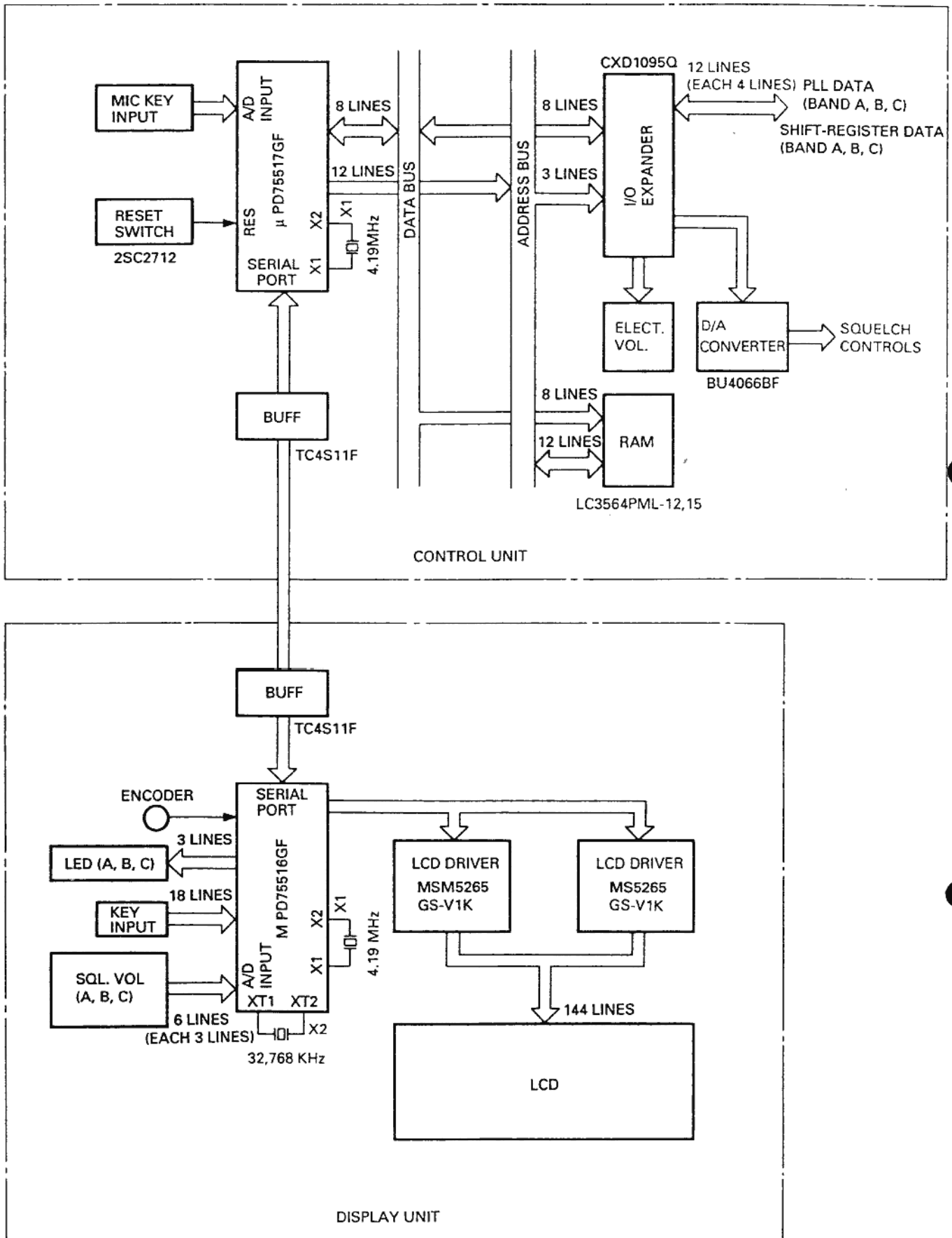


Fig. 25 TM-641A/741A/741E Control Block Diagram

CIRCUIT DESCRIPTION

Panel unit (display unit)

● Key rotary encoder input circuit

Each panel key signal is input from its own port. Pins 70 to 73, 60 to 63, 10 and 13 of the microprocessor are pulled up by software.

● Display circuit

The display circuit is in the panel unit, and is controlled by the microprocessor of the panel unit. It consists of two LCD drivers and their peripheral circuits.

The LCD is driven dynamically with 1/2 duty. Serial data is transferred from pins 102, 103, and 110 of the CPU (IC1: UPD75516GF) to the LCD driver. There are 141 segments.

● Dimmer circuit

The dimmer circuit changes the brightness of the lamp in four steps. Figure 1 shows the dimmer circuit. Q2 amplifies the error of the stabilized power supply using a 5 V reference voltage. Pins 132 and 133 of the microprocessor are open drain, and the output voltage can be controlled in four steps by grounding this port.

Pin 130 connected to the emitter of Q3 is also open drain. If it is open, Q3 is turned off, and no lamp voltage is output. If pin 130 is grounded, Q3 turns on and the lamp lights.

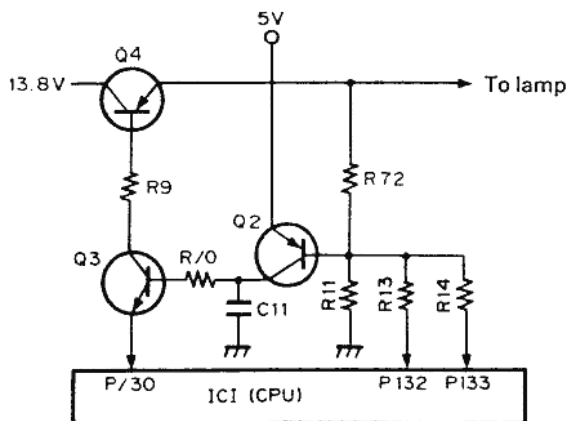


Fig. 26 Dimmer circuit

● Control band LED lighting circuit

The LED brightness is changed by switching the current to one of two ports for each LED. It is changed in two steps corresponding to lamp dimmers d1, d2, and d3, d4.

● Squelch volume input

The squelch volume for each band works by converting the voltage output by dividing 5 V applied to the variable resistor at the analog port of the microprocessor, and so reads the rotation angle. If the rotation angle changes, a command corresponding to the value is sent to the control unit.

● Reset backup circuit

When the power supply is connected, a low-level pulse of about 3 ms is output by the reset IC (IC7) and reset switch (Q1). This pulse power-on resets the CPU (IC1). When the power supply is disconnected, 13.8 V and line voltage drop are detected, the INT4 switch (Q6) turns off, and INT4 of the CPU (IC1) goes high. The microprocessor enters the backup mode, and if the backup switch (S2) is on, the clock count is performed (in 0.5-second intervals) by the BA1 power, and the 32.768 MHz crystal (X2) oscillates.

Control Unit Block

● Microphone key input circuit

Microphone UP/DOWN keys and function keys are connected to the analog input pins of a microcomputer. Each function is activated by the voltage generated when the keys are set on.

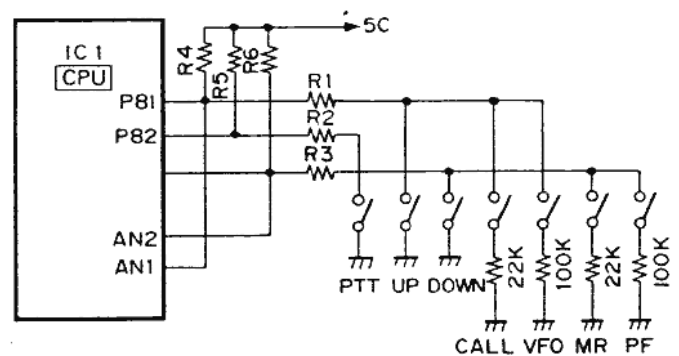


Fig. 27 Microphone key Input Circuit

CIRCUIT DESCRIPTION

● Shift-register circuit

The serial data from the microcomputer is passed through IC6 and IC7 (BU4094BF) to perform the following control operation.

Shift-Register Port Specification List (Common)

Control unit (X53-3310-XX)A/2:IC6.7

Shift-register A 4094

S. Reg Port	Pin No.	Port data	SA VE	Back up	Function	Pin name
Q1	4	PD_BZA			BAND A beep 0: Sounds 1: Does not sound	BZA
Q2	5	PD_BZA			BAND B beep 0: Sounds 1: Does not sound	BZB
Q3	6	PD_BZA			BAND C beep 0: Sounds 1: Does not sound	BZD
Q4	7	PD_MUTEA			BAND A MUTE 0:OFF 1: ON	MUTEA
Q5	14	PD_MUTEB			BAND B MUTE 0:OFF 1: ON	MUTEB
Q6	13	PD_MUTE C			BAND C MUTE 0:OFF 1:ON	MUTE C
Q7						
Q8					SRAM A12 0: Normal 1: Abnormal	BANK

Shift-register B 4094

S. Reg Port	Pin No.	Port data	SA VE	Back up	Function	Pin name
Q1	4	PD_CTC1			CTCSS operation unit selection *1	CTC1
Q2	5	PD_CTC2			CTCSS operation unit selection *1	CTC2
Q3	6	PD_RD1			Detection output connection unit selection *3	RD1
Q4	7	PD_RD2			Detection output connection unit selection *3	RD2
Q5	14	PD_DTS1			DTSS operation unit selection *2	DTS1
Q6	13	PD_DTS2			DTSS operation unit selection *2	DTS2
Q7	12					
Q8	11	PD_DTSEL			DTSS input selection 0: Detection output 1: MIC	DTSEL

*1, *2, *3

CTC2	CTC1	CTCSS operation unit
DTS2	DTS1	DTSS operation unit
RD2	RD1	Detection output connection unit
0	0	A
0	1	B
1	X	C

Downloaded by
 Amateur Radio Directory

www.hamdirectory.info

TM-641A/741A/741E

CIRCUIT DESCRIPTION

I/O Port Specification List

Control unit (X53-3310-XX) : IC1

μPD75517 I/O port list

μCOM Port	Port	I/O	Pull up	Back up	Description	Pin name
INT4 P00	P_VF	I			Power check 0: Operation 1: Backup	
SCK0 P01	P_RFMID	I	○		Lower-power unit TX power selection 0: Three stages (middle stage) 1: Two stages (no middle stage)	
S10/SB1 P02	P_SO	O	○		Panel microcomputer SI	
S10/SB1 P03	P_SI	I	○		Panel microcomputer SO	
INT0 P10		I		I		
INT1 P11	P_CTCSS	I		I	CTCSS detection 0: Tone coincides	SDO
INT2 P12	P_STD	I		I	DTMF detection (LC7385 standard) 0: No signal 1: Signal detected	DV
T10 P13	P_DTSCCHK	I		I	DTSS connection check 0: No connection 1: Connection	VCK
PTO0 P20	P_BEEP	O		L	Beep sound output pin (effect sound) Set low when no beep sound is output	BZ
P21	P_DTOE	O		L	DTMF receiver LC7385 TOE	EN
PCL P22	P_DTCE	O		L	DTMF tone generator TP5088 CE	CE
BUZ P23	P_CLK	O		L	CTCSS unit/shift registerr/electronic volume clock	CK
P30	P_ET	O I		I	CTCSS unit enable connection check 0: Connection 1: No connection	ET
P31						
P32	P_FANDL0	I	Δ	I	FAN delay time setting input *1	
P33	P_FANDL1	I	Δ	I	FAN delay time setting input *1	
P40	P_DAT0	I/O	●	I	External RAM, i/o expander data, and DTMF data (D0/Q1)	
P41	P_DAT1	I/O	●	I	↑	(D1/Q2)
P42	P_DAT2	I/O	●	I	↑	(D2/Q3)
P43	P_DAT3	I/O	●	I	↑	(D3/Q4)
P50	P_DAT4	I/O	●	I	External RAM and I/O expander data	

CIRCUIT DESCRIPTION

μPD75517 I/O List

μCOM Port	Port	I/O	Pull up	Back up	Description	Pin name
P51	P_DAT5	I/O	●	I		
P52	P_DAT6	I	●	I		
P53	P_DAT7	O	●	I		
KR0 P60	P_SI	O		I	Subtone output	bit 0
KR1 P61	P_TONE	O		I	Subtone output	bit 1
KR2 P62	P_TONE	O		I	Subtone output	bit 2
KR3 P63	P_TONE	O		I	Subtone output	bit 3
KR4 P70	P_TONE	O		I	Subtone output	bit 4
KR5 P71	P_TONE	I		I	Subtone output	bit 5
KR6 P72	P_TONE	O		I	Subtone output	bit 6
KR7 P73	P_TONE	O		I	Subtone output	bit 7
PPO P80						
SCK P81	P_UP	I	●		Microphone up	
SO1 P82	P_PTT	I	●	I	Microphone PTT	
S11 P83	P_DOWN	I	●	I	Microphone down	
P90	P-A0	I		I	External RAM and I/O exlamder address	(OPEADR)
P91	P-A1	O		I		(RAMADRL)
P92	P_A2	O		I		
P93	P_A3	O		I	External RAM address	
P100	P_A4	O		I		(RAMADRH)
P101	P_A5	O		I		
P102	P_A6	O		I		
P103	P_A7	O		I		

TM-641A/741A/741E

CIRCUIT DESCRIPTION

μPD75517 I/O Port List

μCOM Port	Port	I/O	Pull up	Back up	Description	Pin name
P110	P_A8	O		I	↑	
P111	P_A9	O		I	↑	
P112	P_A10	O		I	↑	
P113	P_A11	O		L	↑	
P120	P_RAMOE	O	●	H	External RAM OE (L) L:Read	OE
P121	P_RAMRW	O	●	H	External RAM R/W L:Write H: Normal	R/W
P122	P_RAMCE2	O	●	L	External RAM CE2 L: Backup	CE2
P123	P_10CS	O	●	L	I/O Expander CS(L)	CS
P130	P_10RD	O	●	I	I/O Expander RD(L)	RD
P131	P_10WR	O	●	I	I/O Expander WR(L)	WR
P132	P_VOLEN1	O	●	I	Electronic volume enable 1 L: Buzzer R: Band C	EV1
P133	P_VOLEN2	O	●	I	Electronic volume enable 2 L: Band B R: Band A	EV2
P140	P_ES	O		I	Shift Register Enable	ES
P141	P_PSW	O		I	MicMUTE 0: MUTE OFF 1: MUTE ON	
P142	P_PSW	O		I	POWER switch 0: Power on 1: Power off	PSW
P143	P_DAT	O		I	CTCSS unit, shift register, and electronic volume data	DT
AN0	P_DNAN	I			DOWN, MR, PF key input	
AN1	P_UPAN	I			UP, CALL, and VFO key input	
AN2	P_SMA	I			Band unit A signal-strength meter input	
AN3	P_ALTA	I			Band unit A ALT input	
AN4 P150	P_SMB	I			Band unit B signal-strength meter input	
AN5 P151	P_ALTB	I			Band unit B ALT input	
AN6 P152	P_SMC	I			Band unit C signal-strength meter input	
AN7 P153	P_ALTC	I			Band unit C ALT input	

Δ : Pulled up by software during check (note that P_ET is set high during check).

○ : Pulled up by software at all times.

● : Pulled up by hardware.

*1 FAN delay time setting input

FAN control	P_FANDL1	P_FANDL0
Always on during power-on sequence	0	0
On during transmission	0	1
On during transmission and for 1 minute after transmission	1	0
On during transmission and on for 2 minutes after transmission	1	1

CIRCUIT DESCRIPTION

I/O Expander Port Specification List

Control unit (X53-3310-XX) B/2 : IC 101

CXF1095Q I/O Port List

Port	I/O	Back up	Description	Pin name
PA0	I/O		BAND Unit C PLL Enable *3	EPC
PA1			BAND Unit c PLL/Shift Register Clock *3	CKC
PA2			BAND Unit C PLL/Shift Register Data *3	DTC
PA3			BAND Unit C Shift Register Enable	ESC
PA4	I		BAND Unit A busy input 0: Busy 1: Close	SCA
PA5			BAND Unit B busy input 0: Busy 1: Close	SCB
PA6			BAND Unit C busy input 0:Busy 1: Close	SCC
PA7				
PB0	O		BAND Unit C SQ Out bit0	SQC0
PB1			BAND Unit C SQ Out bit1	SQC1
PB2			BAND Unit C SQ Out bit2	SQC2
PB3			BAND Unit C SQ Out bit3	SQC3
PB4			BAND Unit B SQ Out bit0	SQB0
PB5			BAND Unit B SQ Out bit1	SQB1
PB6			BAND Unit B SQ Out bit2	SQB2
PB7			BAND Unit B SQ Out bit 3	SQB3
PC0	O		BAND Unit A SQ Out bit0	SQA0
PC1			BAND Unit A SQ Out bit1	SQA1
PC2			BAND Unit A SQ Out bit2	SQA2
PC3			BAND Unit A SQ Out bit3	SQA3
PC4	O		BAND Unit A SQ Out bit4	SQA4
PC5			BAND Unit A SQ Out bit5	SQA5
PC6			BAND Unit B SQ Out bit4	SQB4
PC7			BAND Unit B SQ Out bit5	SQB5
PD0	I/O		BAND Unit A PLL Enable *1	EPA
PD1			BAND Unit A PLL/Shift Register Clock *1	CKA
PD2			BAND Unit A PLL/Shift Register Data *1	DTA
PD3			BAND Unit A Shift Register Enable	ESA
PD4			BAND Unit B PLL Enable *2	EPB
PD5			BAND Unit B PLL/Shift Register Clock *2	CKB
PD6			BAND Unit B PLL/Shift Register Data *2	DTB
PD7			BAND Unit B Shift Register Enable	ESB
PE0	I/O		FAN ON/OFF 0: OFF 1: ON	FANSW
PE1			PSW other than 5C	OSW2
PE2			BAND Unit C SQ Out bit4	SQC4
PE3			BAND Unit C SQ Out bit5	SQC5

TM-641A/741A/741E

CIRCUIT DESCRIPTION

*1, *2, *3 Type of band unit

BAND Unit	DTx	CKx	EPx	Unit No.	No. of data items after conversion
No unit	0	0	0	0	0
28 MHz BAND	1	0	0	4	1
50 MHz BAND	1	1	0	6	2
144 MHz BAND	0	1	1	3	3
220MHz BAND	0	1	0	2	4
430MHz BAND	1	0	1	5	5
1200MHz BAND	0	0	1	1	6

Note:

An x indicates A, B, or C. The number of data items after conversion indicates the data used in a program.

CIRCUIT DESCRIPTION

I/O Expander Port Specification List

DISPLAY UNIT (X54-3120-00) : IC1

Downloaded by
 Amateur Radio Directory

www.hamdirectory.info

μPD75516 (IC1) I/O Port List

μCOM Port	Port name	I/O	Pull up	Back up	Description	Circuit Pin name
INT4 P00	P_INT4	I		I	Power check 0: Operation 1: Backup	
SCK0 P01	P_01	I	○	I		
SO0/SB0 P02	P_SO	O	○	I	Serial data out	
SI0/SB1 P03	P_S1	I	○	I	Serial data in	
INT0 P10	P_ENCDCK	I		I	Encoder (CLK)	
INT1 P11	P_INT1	I		I	Connect to serial data in.	
INT2 P12	P_PSKEY	I		I	Power switch 0: NORMAL 1: PUSH	
T10 P13	P_ENCDDT	I		I	Encoder (DAT)	
PTO0 P20	P_TYPE0	I	○	I	Destination data B0	
P21	P_TYPE1	I	○	I	Destination data B1	
PCL P22	P_TYPE2	I	○	I	Destination data B2	
BUZ P23	P_TYPE3	I	○	I	Destination data B3	
P30	P_LEDOC1	O		I	Operation band LED Orange C 0: ON (Bright) 1: OFF/ON (dark)	
P31	P_LEDGC2	O		I	Operation band LED Orange C 0: ON (Bright)/ON (dark) 1: OFF	
P32	P_LEDGC1	O		I	Operation band LED Green C 0: ON (Bright) 1: OFF/ON (dark)	
P33	P_LEDGC2	O		I	Operation band LED Green C 0: ON (Bright)/ON (dark) 1: OFF	

CIRCUIT DESCRIPTION

μPD75516 (IC1) I/O Port List

μCOM Port	Port name	I/O	Pull up	Back up	Description	Circuit Pin name
P40	P_LEDOB1	O		I	Operation band LED Orange B 0: ON (Bright) 1: OFF/ON (dark)	
P41	P_LEDOB2	O		I	Operation band LED Orange B 0: ON (Bright)/ON (dark) 1: OFF	
P42	P_LEDGB1	O		I	Operation band LED Green B 0: ON (Bright) 1: OFF/ON (dark)	
P43	P_LEDGB2	O		I	Operation band LED Green B 0: ON (Bright)/ON (dark) 1: OFF	
P50	P_LEDOA1	O		I	Operation band LED Orange A 0: ON (Bright) 1: OFF/ON (dark)	
P51	P_LEDOA2	O		I	Operation band LED Orange A 0: ON (Bright)/ON (dark) 1: OFF	
P52	P_LEDGA1	O		I	Operation band LED Green A 0: ON (Bright) 1: OFF/ON (dark)	
P53	P_LEDGA2	O		I	Operation band LED Green A 0: ON (Bright)/ON (dark) 1: OFF	
KR0 P60	P_VFO	O	○	I	VFO key 0: PUSH 1: NORMAL	
KR1 P61	P_MR	O	○	I	MR key 0: PUSH 1: NORMAL	
KR2 P62	P_MHZ	O	○	I	MHz key 0: PUSH 1: NORMAL	
KR3 P63	P_CALL	O	○	I	CALL key 0: PUSH 1: NORMAL	
KR4 P70	P_BELL	O	○	I	BELL (SHIFT) key 0: PUSH 1: NORMAL	
KR5 P71	P_TONE	O	○	I	TONE key 0: PUSH 1: NORMAL	
KR6 P72	P_REV	O	○	I	REV key 0: PUSH 1: NORMAL	

CIRCUIT DESCRIPTION

μPD75516 (IC1) I/O Port List

μCOM Port	Port name	I/O	Pull up	Back up	Description	Circuit Pin name
KR7 P73	P_DTSS	O	○		DTSS key 0: PUSH 1: NORMAL	
PPO P80	P_LOW	I	●		LOW key 0: PUSH 1: NORMAL	
SCK1 P81	P_MUTE	I	●		MUTE key 0: PUSH 1: NORMAL	
SO1 P82	P_CSA	I	●		CONT SEL A key 0: PUSH 1: NORMAL	
SI1 P83	P_CSB	I	●		CONT SEL B key 0: PUSH 1: NORMAL	
P90	P_IF430	I	●		IF selection (430MHz) 0: 1: NORMAL	
P91	P_IF50	I	●		IF selection (50MHz) 0: NORMAL 1:	
P92	P_IF28	I	●		IF selection (28MHz) 0: NORMAL 1:	
P93	P_CKBL	I	●		Time display dot flash selection 0: Flash 1: Do not flash	
P100	P_BLANK	O			LCD driver (MSM5265) BLANK	
P101	P_TEST	O			LCD driver (MSM5265) TEST	
P102	P_LCDDT	O			LCD driver (MSM5265) DT	
P103	P_LCDDL	O			LCD driver (MSM5265) CK	
P110	P_LCDLD	O			LCD driver (MSM5265) LD	
P111	P_111	O				
P112	P_112	O				
P113	P_FDISP	O			"F" display LED 0: ON 1: OFF	
P120	P_FKEY	O	●		F key 0: PUSH 1: NORMAL	
P121	P_DATE	O	●		Month/day display format selection 0: Month, day 1: Day, month	

CIRCUIT DESCRIPTION

μPD75516 (IC1) I/O-Port List

μCOM Port	Port name	I/O	Pull up	Back up	Description	Circuit Pin name
P122	P_VOLT	O	●		Voltage display 0: Display voltage 1: Do not display voltage	
P123	P_ILUMI	O	●		Dimmer 0: Reduce brightness by one step 1: Normal brightness	
P130	P_LPSW	O			Illumination switch 0: ON 1: OFF	
P131	P_PSW	O			Power switch 0: ON 1: OFF	
P132	P_DIM1	O			Illumination bulb (2.7k) 0: ON (D1), ON (D2) 1: ON (D3), OFF	
P133	P_DIM2	O			Illumination bulb (12k) 0: ON (D1), ON (D3) 1: ON (D2), OFF	
P140	P_CSC	I	●		CONTSEL C 0: PUSH 1: NORMAL	
P141	P_BSA	I	●		BAND SEL A 0: PUSH 1: NORMAL	
P142	P_BSB	I	●		BAND SEL B 0: PUSH 1: NORMAL	
P143	P-BSC	I	●		BAND SEL C 0: PUSH 1: NORMAL	
AN0		AD			Band A squelch input	
AN1		AD			Band B squelch input	
AN2		AD			Band C squelch input	
AN3		AD			Band A volume input	
AN4 P150		AD			Band B volume input	
AN5 P151		AD			Band C volume input	
AN6 P152		AD			SB/4 input (for voltage display)	
AN7 P153		AD				

- : Always pulled up by software.
 ● : Always pulled up by hardware.

TM-641A/741A/741E

CIRCUIT DESCRIPTION

LCD Driver (MSM 5265) list

DISPLAY UNIT (X54-3120-00): IC2, IC3

MSM 5265 (IC2) list

IC Pin No.	IC Pin Name	LCD SEG.		LCD Term. No.
		COM0	COM1	
51	S1			144
52	S2			143
53	S3			142
54	S4	ACC	MUTE	141
55	S5	A.B.C.	TOT	140
56	S6	APO	A.	139
57	S7	LOCK	SLEEP	138
58	S8	OFF	ON	137
59	S9		TIMER	136
60	S10	ⓄM	ⓄONAIR	135
61	S11	ⓄL	ⓄS7	134
62	S12	ⓄS6	ⓄS5	133
63	S13	ⓄBELL	ⓄCO	132
64	S14	Ⓞ05K	Ⓞ1Kc	131
65	S15	Ⓞ1Kg	Ⓞ1Kb	130
66	S16	Ⓞ1Ka	Ⓞ1Kf	129
67	S17	Ⓞ1Kd	Ⓞ1Ke	128
68	S18	ⓄS3	ⓄS4	127
69	S19	ⓄDTSS	ⓄS2	126
70	S20	ⓄC CSS	ⓄT	125
71	S21	Ⓞ10kdp	Ⓞ10Kc	124
72	S22	Ⓞ10Kg	Ⓞ10Kb	123
73	S23	Ⓞ10Ka	Ⓞ10Kf	122
74	S24	Ⓞ10Kd	Ⓞ10Ke	121
75	S25	ⓄCLKdp1	ⓄCLKdp2	120
76	S26	Ⓞ100Kdp	Ⓞ100Kc	119
77	S27	Ⓞ100Kg	Ⓞ100Kb	118
78	S28	Ⓞ100Ka	Ⓞ100Kf	117
79	S29	Ⓞ100Kd	Ⓞ100Ke	116
80	S30	ⓄS1	ⓄBUSY	115
81	S31	ⓄREV	Ⓞ+	114
82	S32	ⓄL-	ⓄR-	113
83	S33	Ⓞ1Mdp	Ⓞ1Mc	112
84	S34	Ⓞ1Mg	Ⓞ1Mb	111
85	S35	Ⓞ1Ma	Ⓞ1Mf	110
86	S36	Ⓞ1Md	Ⓞ1Me	109
87	S37	ⓄF	Ⓞ10Mc	108
88	S38	Ⓞ10Mg	Ⓞ10Mb	107
89	S39	Ⓞ10Ma	Ⓞ10Mf	106
90	S40	Ⓞ10Md	Ⓞ10Me	105
91	S41	Ⓞ>	ⓄALT	104

IC Pin No.	IC Pin Name	LCD SEG.		LCD Term. No.
		COM0	COM1	
92	S42	Ⓞ<	ⓄPTT	103
93	S43	Ⓞ1Gbc	Ⓞ100Mc	102
94	S44	Ⓞ100Mg	Ⓞ100Mb	101
95	S45	Ⓞ100Ma	Ⓞ100Mf	100
96	S46	Ⓞ100Md	Ⓞ100Me	99
97	S47	Ⓞ☆	ⓄMRHc	98
98	S48	ⓄMRHg	ⓄMRHb	97
99	S49	ⓄMRHa	ⓄMRHf	96
100	S50	ⓄMRHd	ⓄMRHe	95
1	S51	ⓄS&RF	ⓄMRLc	94
2	S52	ⓄLRLg	ⓄMRLb	93
3	S53	ⓄMRLa	ⓄMRLf	92
4	S54	ⓄMRLd	ⓄMRLe	91
5	S55	ⓄM	ⓄONAIR	90
6	S56	ⓄL	ⓄS7	89
7	S57	ⓄS6	ⓄS5	88
8	S58	ⓄBELL	ⓄCO	87
9	S59	Ⓞ05K	Ⓞ1Kc	86
10	S60	Ⓞ1Kg	Ⓞ1Kb	85
11	S61	Ⓞ1Ka	Ⓞ1Kf	84
12	S62	Ⓞ1Kd	Ⓞ1Ke	83
13	S63	ⓄS3	ⓄS4	82
14	S64	ⓄDTSS	ⓄS2	81
15	S65	ⓄC CSS	ⓄT	80
16	S66	Ⓞ10Kdp	Ⓞ10Kc	79
17	S67	Ⓞ10Kg	Ⓞ10Kb	78
18	S68	Ⓞ10Ka	Ⓞ10Kf	77
19	S69	Ⓞ10Kd	Ⓞ10Ke	76
20	S70	ⓄCLKdp1	ⓄCLKdp2	75
21	S71	Ⓞ100Kdp	Ⓞ100Kc	74
22	S72	Ⓞ100Kg	Ⓞ100Kb	73
23	S73	Ⓞ100Ka	Ⓞ100Kf	72
24	S74	Ⓞ100Kd	Ⓞ100K	71
25	S75	ⓄS1	ⓄBUSY	70
26	S76	ⓄREV	Ⓞ+	69
27	S77	ⓄL-	ⓄR-	68
28	S78	Ⓞ1Mdp	Ⓞ1Mc	67
29	S79	Ⓞ1Mg	Ⓞ1Mb	66
30	S80	Ⓞ1Ma	Ⓞ1Mf	65
48	COM-A			
49	COM-B			

CIRCUIT DESCRIPTION

MSM 5265 (IC3) list

IC Pin No.	IC Pin Name	LCD SEG.		LCD Term. No.
		COM0	COM1	
51	S1	ⓑ1Md	ⓑ1Me	64
52	S2	ⓑF	ⓑ10Mc	63
53	S3	ⓑ10Mg	ⓑ10Mb	62
54	S4	ⓑ10Ma	ⓑ10Mf	61
55	S5	ⓑ10Md	ⓑ10Me	60
56	S6	ⓑ>	ⓑALT	59
57	S7	ⓑ<	ⓑPTT	58
58	S8	ⓑ1Gbc	ⓑ100Mc	47
59	S9	ⓑ100Mg	ⓑ100Mb	56
60	S10	ⓑ100Ma	ⓑ100Mf	55
61	S11	ⓑ100Md	ⓑ100Me	54
62	S12	ⓑ☆	ⓑMRHc	53
63	S13	ⓑMRHg	ⓑMRHb	52
64	S14	ⓑMRHa	ⓑMRHf	51
65	S15	ⓑMRHd	ⓑMRHe	50
66	S16	ⓑS&RF	ⓑMRLc	49
67	S17	ⓑMRLg	ⓑMRLb	48
68	S18	ⓑMRLa	ⓑMRLf	47
69	S19	ⓑMRL d	ⓑMRLe	46
70	S20	ⒶM	ⒶONAIR	45
71	S21	ⒶL	ⒶS7	44
72	S22	ⒶS6	ⒶS5	43
73	S23	ⒶBELL	ⒶCO	42
74	S24	Ⓐ05K	Ⓐ1Kc	41
75	S25	Ⓐ1Kg	Ⓐ1Kb	40
76	S26	Ⓐ1Ka	Ⓐ1Kf	39
77	S27	Ⓐ1Kd	Ⓐ1Ke	38
78	S28	ⒶS3	ⒶS4	37
79	S29	ⒶDTSS	ⒶS2	36
80	S30	ⒶC CSS	ⒶT	35
81	S31	Ⓐ10Kdp	Ⓐ10Kc	34
82	S32	Ⓐ10Kg	Ⓐ10Kb	33
83	S33	Ⓐ10Ka	Ⓐ10Kf	32
84	S34	Ⓐ10Kd	Ⓐ10Ke	31
85	S35	ⒶCLKdp1	ⒶCLKdp2	30
86	S36	Ⓐ100Kdp	Ⓐ100Kc	29
87	S37	Ⓐ100Kg	Ⓐ100Kb	28
88	S38	Ⓐ100Ka	Ⓐ100Kf	27
89	S39	Ⓐ100Kd	Ⓐ100Ke	26
90	S40	ⒶS1	ⒶBUSY	25
91	S41	ⒶREV	Ⓐ+	24

IC Pin No.	IC Pin Name	LCD SEG.		LCD Term. No.
		COM0	COM1	
92	S42	ⒶL-	ⒶR-	23
93	S43	Ⓐ1Mdp	Ⓐ1Mc	22
94	S44	Ⓐ1Mg	Ⓐ1Mb	21
95	S45	Ⓐ1Ma	Ⓐ1Mf	20
96	S46	Ⓐ1Md	Ⓐ1Me	19
97	S47	ⒶF	Ⓐ10Mc	18
98	S48	Ⓐ10Mg	Ⓐ10Mb	17
99	S49	Ⓐ10Ma	Ⓐ10Mf	16
100	S50	Ⓐ10Md	Ⓐ10Me	15
1	S51	Ⓐ>	ⒶALT	14
2	S52	Ⓐ<	ⒶPTT	13
3	S53	Ⓐ1Gbc	Ⓐ100Mc	12
4	S54	Ⓐ100Mg	Ⓐ100Mb	11
5	S55	Ⓐ100Ma	Ⓐ100Mf	10
6	S56	Ⓐ100Md	Ⓐ100Me	9
7	S57	Ⓐ☆	ⒶMRHc	8
8	S58	ⒶMRHg	ⒶMRHb	7
9	S59	ⒶMRHa	ⒶMRHf	6
10	S60	ⒶMRHd	ⒶMRHe	5
11	S61	ⒶS&RF	ⒶMRLc	4
12	S62	ⒶMRLg	ⒶMRLb	3
13	S63	ⒶMRLa	ⒶMRLf	2
14	S64	ⒶMRLd	ⒶMRLe	1
15	S65			
16	S66			
17	S67			
18	S68			
19	S69			
20	S70			
21	S71			
22	S72			
23	S73			
24	S74			
25	S75			
26	S76			
27	S77			
28	S78			
29	S79			
30	S80			
48	COM-A			
49	COM-B			

Downloaded by

Amateur Radio Directory

www.hamdirectory.info

CIRCUIT DESCRIPTION

• Tone output circuit

The tone output signal is input from the P60 through P63 and P70 through P73 ports of the microcomputer to ladder resistor R8 and converted from digital to analog. The 38 waves in 67.0 to 250.3 MHz are then produced. Figure 28 shows the internal configuration of R8.

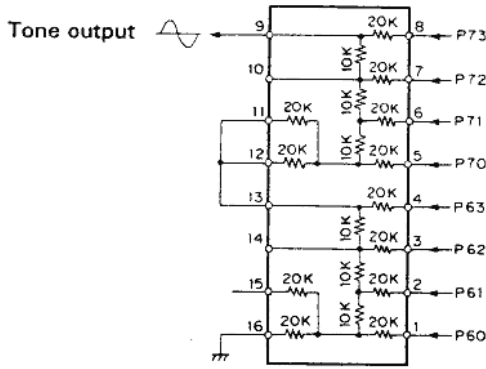


Fig. 28 Internal Configuration of Ladder Resistor (KRR-C001)

• CTCSS unit input and output (TSU-7 (option))

The data input to the CTCSS unit is output from P30, P23, and P143. P30 is also used for connection check. Data is input to P30 when the power is switched on. The data is output from P30 after a connection check is completed. The CTCSS unit is not set on when no connection is performed.

Figure 30 shows the data transfer format, and figure 31 shows the data configuration. A low signal is input to the P11 pin of the microcomputer when the tone detected from the CTCSS unit coincides. The squelch is then opened.

One CTCSS unit can correspond to three bands by switching detection signal RD output from a band unit.

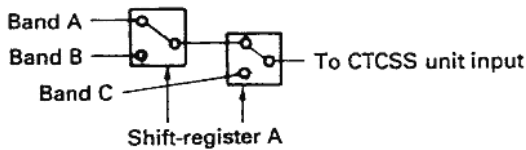


Fig. 29

As the figure above shows, the analog switch is selected with two-bit data.

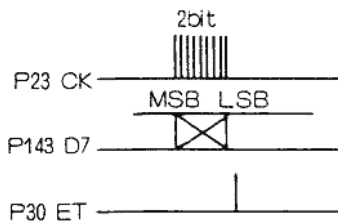


Fig. 30 CTCSS Data Transfer Format

Tone frequency selection data of CTCSS FX365

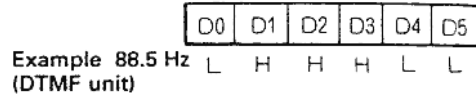


Fig. 31 CTCSS Data Configuration

• DTMF unit input and output (DTU-2 (option))

Data input to the DTMF unit is output from P21, P22, and P40 through P43 of the microcomputer. An encoder is activated when P40 through P43 output data and when P2 is high.

Similar to the CTCSS unit, when a decoder selects a detection signal and detects the input signal, a high signal is input to P12, P21 is set high, and data is input to P40 through P43. The microcomputer then judges whether the data coincides with a DTSS code.

• PLL data output

The PLL data is passed through I/O expander IC10 (CXD1095Q) from the microcomputer and output to each band unit with EP, CK, and DT signals and three serial data items.

A PLL IC (M56760FP) is used in common with the 144 and 430 TX/RX units. Figure 32 shows the data configuration. Figure 33 and 34 shows the PLL data transfer format.

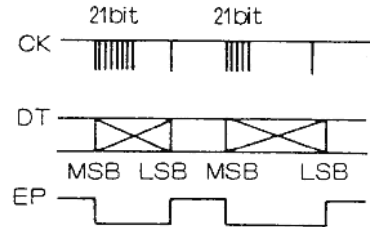
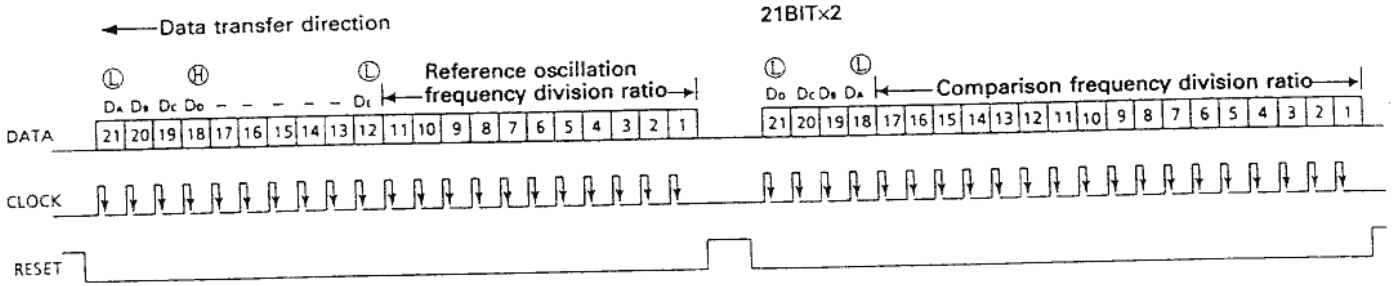


Fig. 32 PLL Data Configuration

CIRCUIT DESCRIPTION



$f_{REF} = 12800 + (8 \times \text{Reference oscillation frequency division ratio})$

Reference oscillation frequency division ratio = $16000 / f_{REF}$ (kHz)

5 kHz P = 320
6.25 kHz P = 256

Reference oscillation frequency division ratio

1 2 3 4 5 6 7 8 9 10 11
0 0 0 0 0 0 1 0 1 0 0 (320)
0 0 0 0 0 0 0 0 1 0 0 (256)

17 16 15 14 13 12 11 10 9 8 7 6 5 4 3 2 1
0 0 0 0 0 0 0 0 1 0 1 0 0 0 0 0 0 0 0 0 0 0 0 0 0 0 1 40.5 kHz
0 0 0 0 0 0 0 0 0 1 0 0 0 0 0 0 0 0 0 0 0 0 0 0 0 0 1 00.5.25 kHz

Special bit function

Bit	Name	H	L
D_A	Data latch selection	Reference	Comparison
D_B	SW2	H: OFF	L: ON
D_C	SW1	H: OFF	L: ON
D_D	POWER switch	OFF	ON
D_E	Test	Test	Normal

PLL data-to-bit relationship

ADD	BIT			
	0	1	2	3
1BH	1	2	3	4
1CH	5	6	7	8
1DH	9	10	11	12
1EH	13	14	15	16
1FH	17	-	-	-

Fig. 33 M56760 PLL DATA

1F	1E	1D	1C	1B	1A
-	6	10	14	18	1
-	7	11	15	19	2
-	8	12	16	20	3
5	9	13	17	21	4

Data	State
D_E	POWER switch
L	Normal
H	Test

Data	PLL
D_E	POWER switch
L	ON
H	OFF

1F	1E	1D	1C	1B	1A
-	2^{15}	2^{11}	2^7	2^3	D_D
-	2^{14}	2^{10}	2^6	2^2	D_C
-	2^{13}	2^9	2^5	2^1	D_B
2^{16}	2^{12}	2^8	2^4	2^0	D_A

For frequency division ratio setting

1F	1E	1D	1C	1B	1A
-	x	D_E	2^7	2^3	D_D
-	x	2^{10}	2^6	2^2	D_C
-	x	2^9	2^5	2^1	D_B
x	x	2^8	2^4	2^0	D_A

For comparison frequency

Data		Output port	
D_H	D_C	SW2	SW1
L	L	ON	ON
H	L	OFF	ON
L	H	ON	OFF
H	H	OFF	OFF

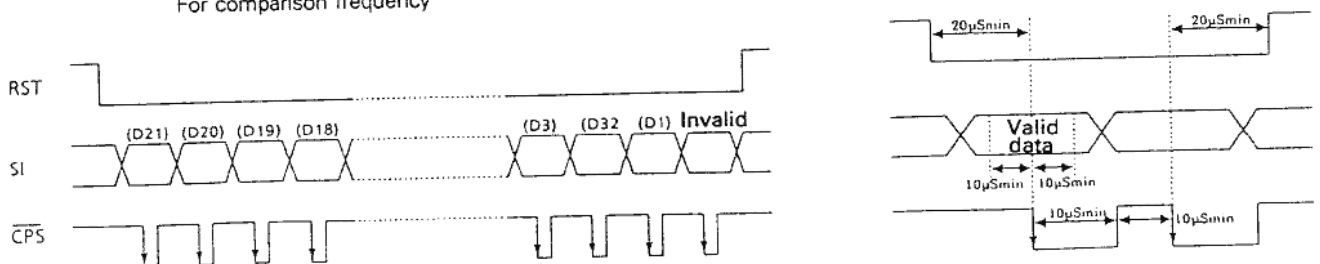


Fig. 34 M56760 PLL DATA OUTPUT

TM641A/741A/741E

CIRCUIT DESCRIPTION

The PLL and reference frequency-division ratio data input to the 1200 TX/RX unit are output from P21 (CK), P22 (DT), and P23 (EP1) of the CPU. The reference frequency-division ratio data (R) is output only when the power is switched on and when 10 and 12.5 kHz reference frequencies are changed.

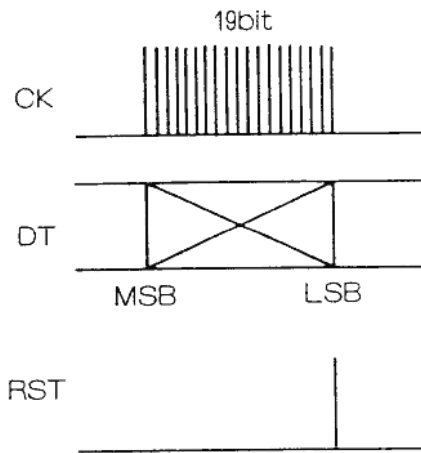


Fig. 35 PLL Frequency-Division Ratio Data Transfer Format

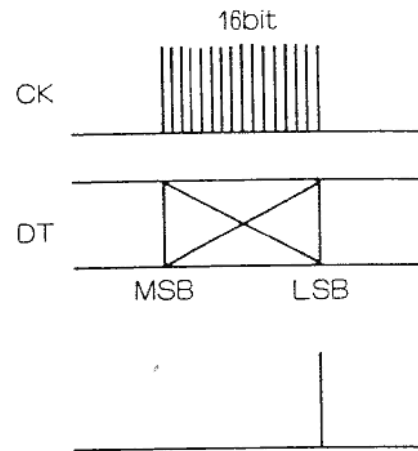


Fig. 36 Reference Frequency-Division Ratio Data Transfer Format

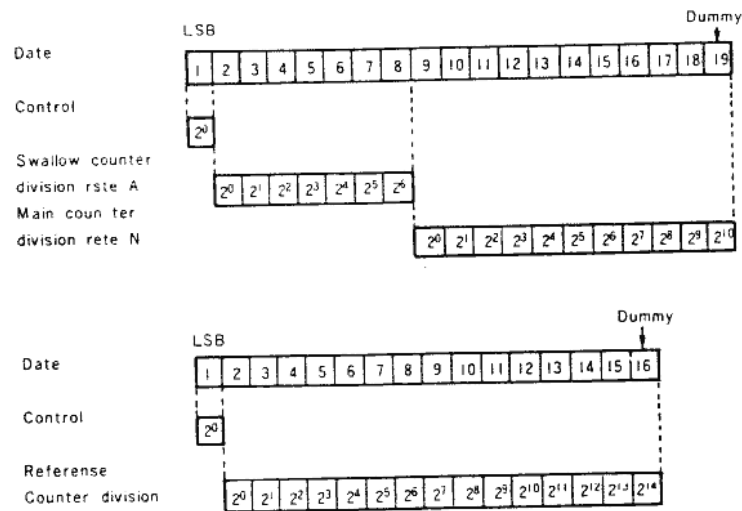


Fig. 37 Data Configuration

CIRCUIT DESCRIPTION

AF Signal Channel

• Outline

Detection signal RA from each band unit is passed through an electronic volume control and output to the power amplifier and speaker through a mute circuit, buzzer circuit, and speaker selection circuit.

Each band has an independent AF signal that can be output from the speaker in accordance with the speaker jack insertion position.

• Volume control circuit

The angle data of each band volume control on the panel is analog-to-digital converted by a microcomputer on the panel and converted to 5-bit data. The data from the panel block is sent to the microcomputer of the control unit, then converted. Serial data is then output from P132, P133, P23, and P143. Each band has an independent volume control. See the device function or the channel-to-band unit relationship.

• Buzzer circuit

A pulse is output from P20 of IC1 to sound a buzzer when keys are pressed. The pulse is mixed with the DTMF unit output signal as a monitor pulse during DTSS operation.

After that, the pulse is passed through the electronic volume control and mixed with the AF signal in a mute circuit corresponding to each band before it is mixed with the AF signal line in each band.

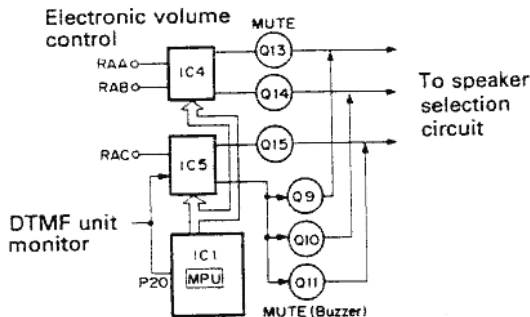


Fig. 38 Volume and Buzzer Circuits

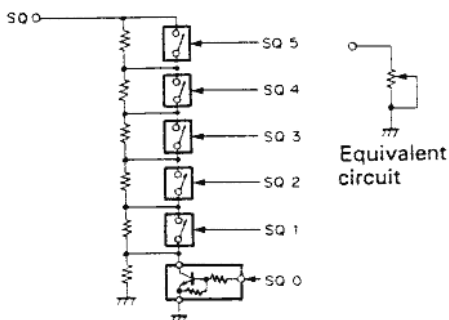


Fig. 40 Squelch D/A Converter Circuit

• Speaker selection circuit

Each band unit has three speaker jacks (on rear panel), and the control unit has one speaker jack (on side panel). When a speaker is connected to a speaker jack on the band unit, the corresponding band AF signal is output.

The speaker jack on the control unit outputs a remaining mixed AF signal. The mixed signal is output from an internal speaker when a speaker is not connected to this speaker jack. Figure 39 shows the speaker selection circuit.

A signal is input to adder IC103 when no speaker is connected. The signal level does not fluctuate even if one to three signals are input to the adder.

For example, band B can mix bands A and C with one speaker and output the mixed signal from another speaker by connecting the band B jack and control unit jack.

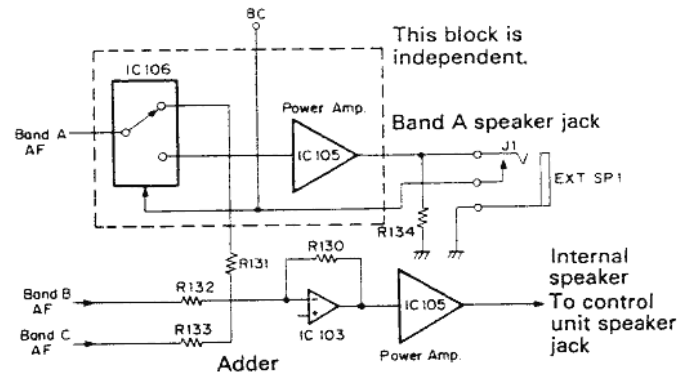


Fig. 39 Speaker Selection Circuit

• Squelch circuit

The angle data of each band squelch volume control on the panel is analog-to-digital converted and converted to 6-bit data.

The data from the panel block is sent to the microcomputer of the control unit and passed through I/O expander IC101 from the microcomputer. The data is then digital-to-analog converted by the analog switch shown in Figure 40. Each band in the circuit shown in Figure 40 is independent.

TM641A/741A/741E

CIRCUIT DESCRIPTION

Connector Connecting the Band Unit and Control Unit

- Outline**

The pin assignments of the connector that connects the control unit and band unit are common in three

bands. The band unit is also used to check which band unit is connected.

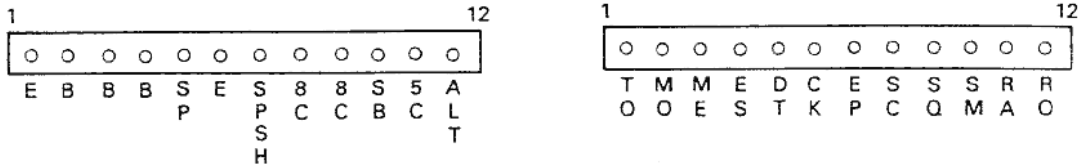


Fig. 41 Connector Connecting the Band Unit and Control Unit

Pin No.	Name	Function	Pin No.	Name	Function
1	E	GND	1	TO	67.0 to 250.3 Hz subtone output
2	B	13.8 V input	2	MO	Audio signal from microphone (including DTMF)
3	B		3	ME	Microphone ground
4	B		4	ES	Shift-register enable output
5	SP	AF signal is output when speaker jack is connected.	5	CK	Shift-register PLL clock
6	E	GND	6	DT	Shift-register PLL data
7	SPSW	Speaker jack connection and detection. "H" during connection.	7	EP	PLL enable
8	8C	8 V is output during the power-on sequence.	8	SC	"L" when squelch input is busy.
9	8C		9	SQ	50 k ohms when squelch D/A output is tight.
10	SB	13.8 V is output during the power-on sequence.	10	SM	Signal-strength meter voltage input
11	SC	5 V is output during the power-on sequence.	11	RA	Detection input (squelch circuit)
12	ACT	ALT voltage input	12	RD	Detection input (no squelch circuit)

Table 20 Pin functions (as viewed from the control unit)

- Band retrieval**

Each band is retrieved through the EP, CK, and DT pins. Data is input for retrieval when the power is switched on and when the memory is cleared. Data is then output again.

The control unit is pulled down as shown in Figure 42. Therefore, the DT, CK, and EP pins are set low when no band unit is connected. Pins set high as listed in Table 21 are pulled up when any band unit is connected. The type of connected band unit is then judged.

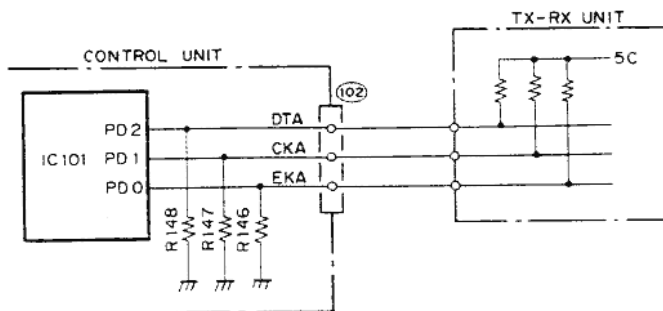


Fig. 42 Retrieval System

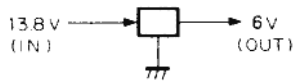
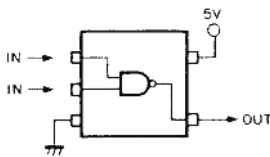
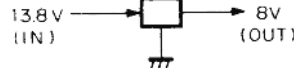
BAND Unit	DT	CK	EP
No Unit	L	L	L
28	H	L	L
50	H	H	L
144	L	H	H
430	H	L	H
1200	L	L	H

Table 21 Band Retrieval

TM-641A/741A/741E

DESCRIPTION OF COMPONENTS

Control Unit (X53-331X-XX) 0-12 : TM-641A(K), 741A(K, P, M, M2), 741E(E)

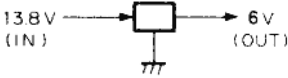
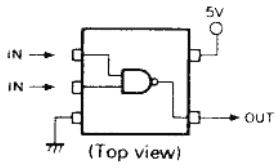
Reference No.	Function	Description
IC1	Microcomputer	See the circuit description.
IC2	SRAM memory backup	
IC3	6V AVR	Three-terminal regulator 
IC4, IC5	Electronic volume control	IC4 R-CH band A volume control IC4 L-CH band B volume control IC5 R-CH band C volume control IC5 L-CH BZ common volume control (Used in common) ③ L-CH input ⑥ L-CH output ⑪ R-CH output ⑭ R-CH input
IC6, IC7	Shift register	See the circuit description.
IC8, IC9	Analog switch	CTCSS, DTSS, or microphone RD band selection (See the circuit description.)
IC10	Low-frequency amplification and adder	Microphone amplifier and DTMF modulation adder
IC11, IC12	Serial data inverter buffer	
IC101	I/O expander	See the circuit description.
IC102	8V AVR	Three-terminal regulator 
IC103	Adder	Used for internal speaker and level compensation.
IC104, IC105	Low-frequency amplification	① Input (IC104: Band B, IC105: Common) ⑥ Output (IC104: Band B, IC105: Common) ⑦ 13.8 V ④ ⑩ ⑫ Ground ⑧ Output (IC104: Band C, IC105: Band A) ⑬ Input (IC104: Band C, IC105: Band A)
IC106	Speaker selection analog switch	④ Band C AF input ⑭ Band A AF input ⑮ Band B AF input ② Band B internal SP output ⑤ Band C internal SP output ⑫ Band A internal SP output ① Band B external SP output ③ Band C external SP output ⑬ Band A external SP output ⑪ Band A selection input ⑩ Band B selection input ⑨ Band C selection input ⑨ to ⑪ Internal SP when "L"
IC107~IC110	Analog switch	Used for squelch. (See the circuit description.)

DESCRIPTION OF COMPONENTS

Reference No.	Function	Description
Q1	Low-frequency amplification	Microphone amplifier
Q2	Buffer amplification	Used for microphone RD.
Q3	Microphone line muting	Microphone muting when power is ON (DTMF signal transmission).
Q4	RESET switch	RESET switch for IC1
Q5	BACKUP switch	ON when power is supplied
Q6, Q7, Q8	Low-frequency amplification	Q6 Band A Q7 Band B Q8 Band C
Q9, Q10, Q11	Beep sound muting	Q9 Band A Q10 Band B Q11 Band C A beep sounds from the corresponding band when OFF.
Q13, Q14, Q15	AF muting	Q13 Band A Q14 Band B Q15 Band C Muted when power is on (squench ON, CTCSS, DTSS, etc.)
Q16	5 V POWER switch	5 V is output when power is ON.
Q17	Low-frequency amplification	Used for DTMF signal monitor.
Q101, Q102	SB POWER switch	Q101 and Q102 are set ON when power is ON. Q101 and Q102 are set OFF when power is OFF.
Q103	Fan motor switch	Rotates when power is ON. Does not rotate when power is OFF.
Q104, Q105	Squelch switch	Same as for IC107 through IC110. (See the circuit description.)
Q106, Q108	MUTE switch	Power amplifier muting Q106 is instantaneously set ON when power is switched ON. Q108 is instantaneously set ON when power is switched OFF.
Q107	RESET switch	RESET switch for IC101
D1	Antireverse current lithium cell selection	Lithium cell is OFF when power is supplied.
D2	Voltage compensation	
D3	Backup detection	
D4	Antireverse current	
D5	Reset detection	
D6, D101 ~ D103	Antireverse current	

DESCRIPTION OF COMPONENTS

Display Unit (X54-312X-XX) 0-11: 641A(K, P), 0-21:741A(M) 0-22:741A(M2), 2-71:741E(E)

Component	Use/Function	Operation/Condition/Compatibility
IC1	Microprocessor	See Circuit Diagram
IC2, IC3	LCD driver	See Circuit Diagram
IC4	6V AVR	Three Circuit regulator 
IC5, IC6	Serial data inverter Buffer	 (Top view)
IC7	Reset IC	See Circuit Diagram
Q1	Reset switch	
Q2	Lamp AVR	See Circuit Diagram
Q3	Lamp AVR switch	
Q4	Lamp AVR	
Q5	5-V power switch	ON when is ON OFF when power OFF
Q6	INT4 SW	ON: 13.8 V; OFF: 0V
Q7	LED POWER SW	ON when power ON; OFF when power OFF
Q8	Function LED switch	ON when function used

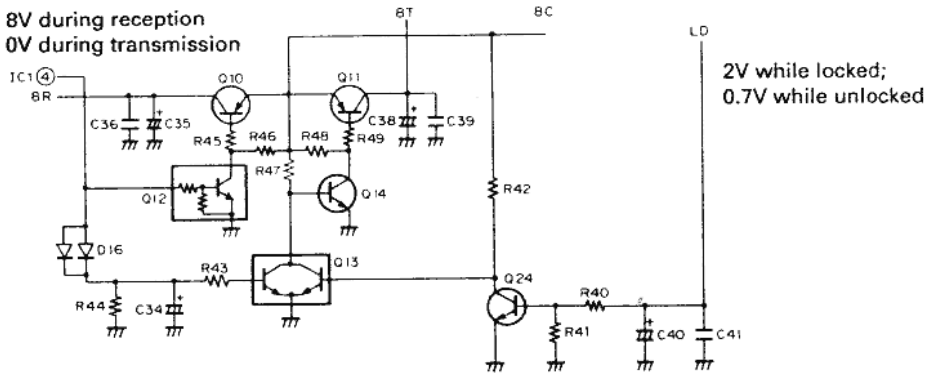
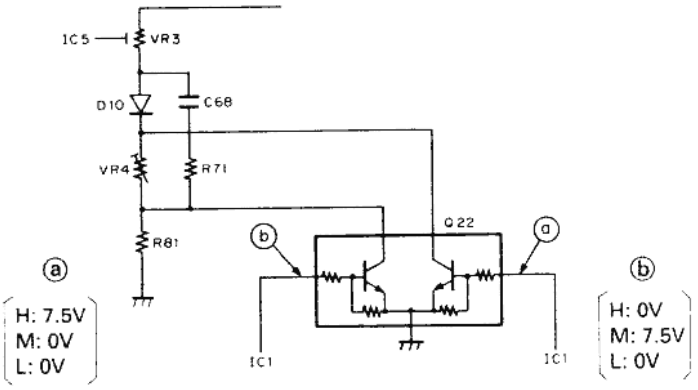
TM-641A/741A/741E

DESCRIPTION OF COMPONENTS

28TX-RX unit (X57-3790-01) UT-28S(M)

Component	Use/Function	Operation/Condition/Compatibility
IC1	Shift register	See Circuit Description.
IC2	VCO, PLL	
IC3	Low-frequency amplifier, limiter	Microphone amplifier
IC4	28-MHz band transmission Drive	Operation during transmission 28 - 29.695 MHz ① Input ⑭ Output
IC5	APC	
IC6	Second local oscillator, mixer IF amplifier, detector Low-frequency amplifier Noise detector Squelch switch	① First IF input 8.83 MHz ③ Second local oscillator input 9.285 MHz ⑨ Squelch output, busy signal, 0 V while busy ⑩ Noise detection voltage output (DC) ⑪ Signal-strength meter output ⑫ Detection output ⑭ RD output ⑮ AF OUT
IC7	9V AVR	
IC8	Out-of-band reception Mixer, RF amplifier	① HET input 2 IF output ③ 8 V (8 V outside band; 0 V within band) ⑤ RF output ⑥ 8 V (8 V within band; 0 V outside band) ⑧ RF input
Q1	High-frequency amplifier	Operation during reception, 28-MHz band
Q2	First mixer	Operation during reception
Q3	First IF amplifier	Operation during reception 8.83 MHz
Q4	ATT switch	ON when ATT is ON
Q5	First mixer selection switch	OFF during out-of-band reception

DESCRIPTION OF COMPONENTS

Component	Use/Function	Operation/Condition/Compatibility
Q6~7	In-band/out-of-band power switch	Q6 OFF, Q7 ON: In-band reception; Q6 ON, Q7 OFF: Out-of-band reception
Q8	Second local oscillator buffer	Operation during reception 9.285 MHz
Q9	Squelch hysteresis switch	ON while busy
Q10~Q14 Q24	Transmit/receive power switch	 <p>8V during reception 0V during transmission</p> <p>2V while locked; 0.7V while unlocked</p> <p>Q10, Q12, Q13 OFF, Q11, Q14, Q24 ON: During transmission Q10, Q12, Q13, Q24 ON, Q11, Q14 OFF: During reception</p>
Q15~17	Inverter	
Q18	Modulation system mute	ON during reception
Q19	CV line buffer	
Q20	HET output amplifier	28-29.695 MHz: During transmission;
Q21	2VCO 8V ripple filter	36.83-38.525 MHz: During reception
Q22	Middle (not for 10 W), LOW Power switch	 <p>(a) H: 7.5V M: 0V L: 0V</p> <p>(b) H: 0V M: 7.5V L: 0V</p>
Q23	APC control	Operation during transmission
Q25~Q26	AM/FM selection switch	Q25 and Q26 OFF: During FM reception Q25 and Q26 ON: During AM reception

TM-641A/741A/741E

DESCRIPTION OF COMPONENTS

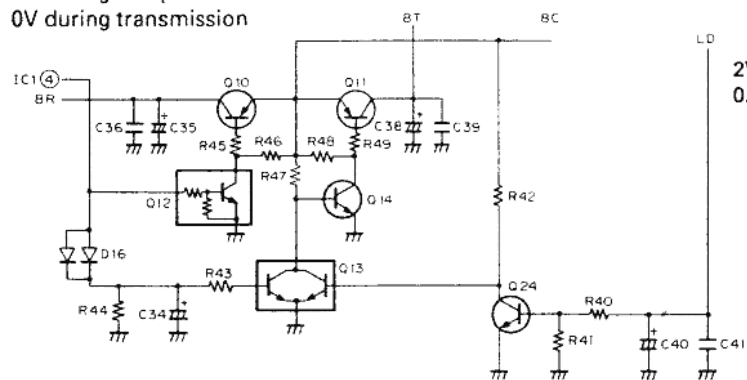
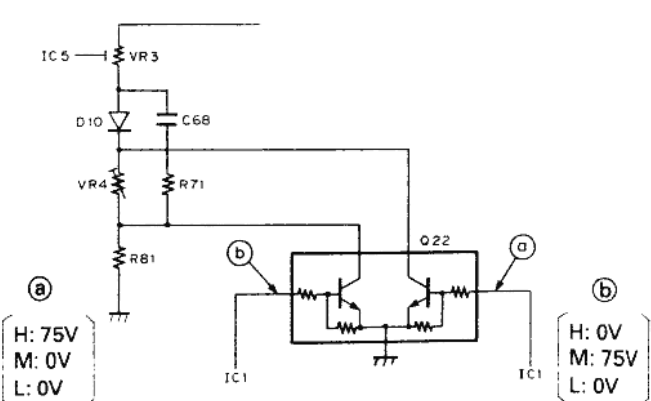
Component	Use/Function	Operation/Condition/Compatibility
Q27	Transmission band selection switch	ON: Narrow OFF: Wide
Q1~2	ATT selection switch	D1 OFF and D2 ON: When ATT ON D1 ON and D2 OFF: When ATT OFF
Q3~Q6	Varicap tuner	
D7	HET selection switch	
D8	Reverse-flow prevention	
D9	HET selection switch	
D10	Temperature compensation	APC
D11, D12	Antenna transmit/receive switch	ON: Transmit; OFF: Receive
D13, D14	Power detection	APC
D15	Reverse-power connection prevention	
D16	Reverse-flow prevention	
D17	Temperature compensation	

DESCRIPTION OF COMPONENTS

50 TX-RX Unit (X57-3800-01) UT-50S(M)

Component	Use/Function	Operation/Condition/Compatibility
IC1	Shift register	See Circuit Description.
IC2	VCO, PLL	
IC3	Low-frequency amplifier, limiter	Microphone amplifier
IC4	50 MHz band transmission Drive	Operation during transmission 50 - 53.995 MHz ① Input ② Output
IC5	APC	
IC6	Second local oscillator, mixer IF amplifier, detector Low-frequency amplifier Noise detector Squelch switch	① First IF input 10.595 MHz ③ Second local oscillator input 11.05 MHz ⑨ Squelch output, busy signal, 0 V while busy ⑩ Noise detection voltage output (DC) ⑪ Signal-strength meter output ⑫ Detection output ⑭ RD output ⑮ AF OUT
IC7	9V AVR	
IC8	Out-of-band reception	① HET input 2 IF output ③ 8 V (8 V outside band; 0 V within band)
	Mixer, RF amplifier	⑤ RF output ⑥ 8 V (8 V within band; 0 V outside band) ⑧ RF input
Q1	High-frequency amplifier	Operation during reception, 50 MHz band
Q2	First mixer	Operation during reception
Q3	First IF amplifier	Operation during reception 10.595 MHz
Q4	ATT switch	ON when ATT is ON
Q5	First mixer selection switch	OFF during out-of-band reception

DESCRIPTION OF COMPONENTS

Component	Use/Function	Operation/Condition/Compatibility
Q6~7	In-band/out-of-band power switch	Q6 OFF, Q7 ON: In-band reception; Q6 ON, Q7 OFF: Out-of-band reception
Q8	Second local oscillator buffer	Operation during reception 11.05 MHz
Q9	Squelch hysteresis switch	ON while busy
Q10-Q14 Q24	Transmit/receive power switch 8V during reception; 0V during transmission	 <p>2V while locked; 0.7V while unlocked</p> <p>Q10, Q12, Q13 OFF, Q11, Q14, Q24 ON: During transmission Q10, Q12, Q13, Q24 ON, Q11, Q14 OFF: During reception</p>
Q15-17	Inverter	
Q18	Modulation system mute	ON during reception
Q19	CV line buffer	
Q20	HET output amplifier	50 - 53.995 MHz: During transmission; 60.595 - 64.590 MHz: During reception
Q21	2VCO 8-V ripple filter	
Q22	Middle (not for 10 W). LOW Power switch	 <p>(a) H: 75V M: 0V L: 0V</p> <p>(b) H: 0V M: 75V L: 0V</p>
Q23	APC control	Operation during transmission
Q25~Q26	AM/FM selection switch	Q25 and Q26 OFF: During FM reception Q25 and Q26 ON: During AM reception

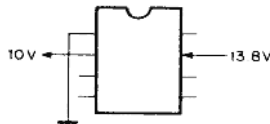
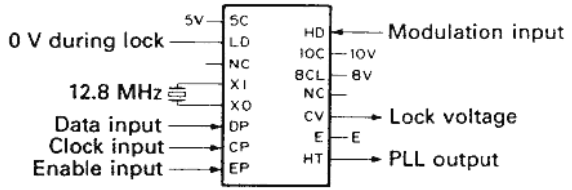
DESCRIPTION OF COMPONENTS

Component	Use/Function	Operation/Condition/Compatibility
D1-D2	ATT selection switch	D1 OFF and D2 ON: When ATT ON D1 ON and D2 OFF: When ATT OFF
D3-D6	Varicap tuner	
D7	HET selection switch	
D8	Reverse-flow prevention	
D9	HET selection switch	
D10	Temperature compensation	
D11, D12	Antenna transmit/receive switch	APC
D13, D14	Power detection	ON: Transmit; OFF: Receive
D15	Reverse-power connection prevention	APC
D16	Reverse-flow prevention	
D17	Temperature compensation	

TM-641A/741A/741E

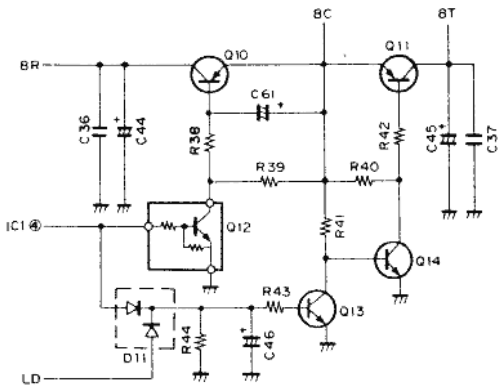
CIRCUIT DESCRIPTION

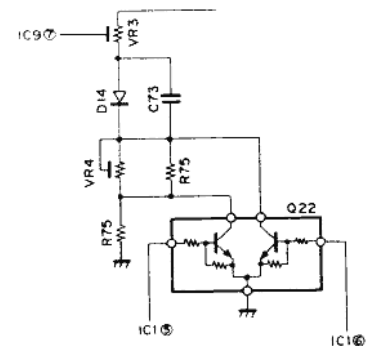
144TX-RX Unit (X57-3580-12) TM-641A, 741A, 741E

Reference No.	Function	Description
IC1	Shift register	See the circuit description.
IC2	10V AVR	
IC5	Second local oscillation, mixer, IF amplification, detection, low-frequency amplification, noise amplification, noise detection, and squelch switching	① 10.7 MHz first IF input ③, ④ 10.245 MHz second local oscillation ⑨ 0 V when scan control and busy signals are busy. ⑩ Noise detection voltage output (DC) ⑪ Signal-strength meter output ⑫ Detection output ⑭ RD output ⑮ AF output
IC7	Low-frequency amplification and limiter	Microphone amplifier
IC8	144 MHz band transmission driver	Operation during transmission. 144 to 148 MHz band ⑭ Input ① Output
IC9	APC	
IC10	Power module	
IC11	VCO.PLL	
Q1	High-frequency amplification	Operation during reception. 144 MHz band
Q2	First mixer	Operation during reception
Q3	First IF amplification	Operation during reception. 10.7 MHz

TM-641A/741A/741E

CIRCUIT DESCRIPTION

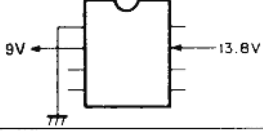
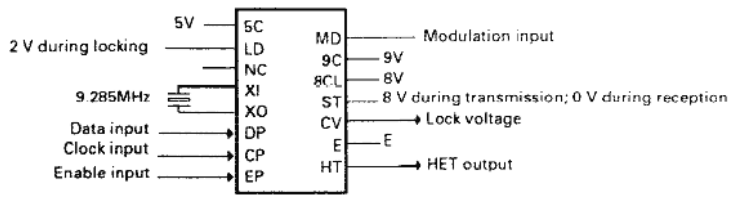
Reference No.	Function	Description
Q10 ~ Q14	Transmission and reception power selection	 <p>(0 V during lock)</p> <p>(Q10, Q12, and Q13 are set "OFF" during transmission. Q11 and Q14 are set "ON" during transmission. Q10, Q12, and Q13 are set "ON" during reception. Q11 and Q14 are set "OFF" during reception.)</p>
Q15, Q16, Q17	Inverter	
Q18	Modulation muting	ON during reception
Q19	CV line buffer	144 MHz band
Q20	PLL output amplification	
Q21	PLL 8 V ripple filter	
Q22	Middle/low POWER switch	Middle and low POWER switches are set ON when high.
Q23	APC control	Operation during transmission
Q24	Squelch hysteresis switch	OFF when busy
D1 ~ D7	Varicap diode tuning	
D11	Antireverse current	
D12	Antireverse current	
D13	PLL output switch	
D14	Temperature compensation	APC
D15, D16	Antenna transmission and reception selection	ON during transmission. OFF during reception.
D17, D18	Power detection	APC
D19	Power reverse connection protection	



TM-641A/741A/741E

DESCRIPTION OF COMPONENTS

220 TX-RX Unit (X57-3810-10):TM-641A(K), UT-220S(K)

Component	Use/Function	Operation/Condition/Compatibility
IC1	Shift register	See Circuit Description.
IC2	9V AVR	
IC5	Second local oscillator, mixer IF amplifier, detector Low-frequency amplifier Noise detector Squelch switch	① First IF input 30.825 MHz ③ ④ Second local oscillator 30.37 MHz ⑨ Squelch output, busy signal, 0 V while busy ⑩ Noise detection voltage output (DC) ⑪ Signal-strength meter output ⑭ RD output ⑮ AF OUT
IC7	Low-frequency amplifier, limiter	Microphone amplifier
IC8	220-MHz band transmission Drive	Operation during transmission 220 - 224.995 MHz ① Input ⑩ Output
IC9	APC	
IC10	Power module	
IC11	VCO, PLL	
Q1	High-frequency amplifier	Operation during reception, 220 MHz band
Q2	First mixer	Operation during reception
Q3	First IF amplifier	Operation during reception 30.825 MHz

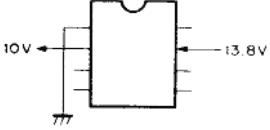
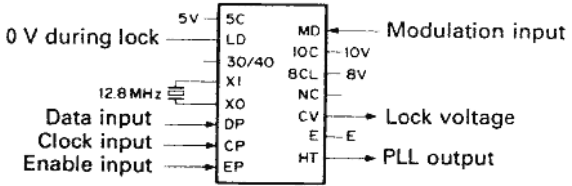
DESCRIPTION OF COMPONENTS

Component	Use/Function	Operation/Condition/Compatibility
Q10-Q14	Transmit/receive power switch	<p>8V during reception: 0V during transmission</p> <p>(0 V during lock)</p> <p>Q10, Q12, Q13 OFF, Q11, Q14 ON: During transmission Q10, Q12, Q13, ON, Q11, Q14 OFF: During reception</p>
Q15-Q17	Inverter	
Q18	Modulation system mute	ON during reception
Q19	CV line buffer	
Q20	HET output amplifier	220 - 224.995 MHz: During transmission; 189.175 - 194.17 MHz: During reception
Q21	VCO 8V ripple filter	<p>(b) H:0V M:7.5V L:0V</p> <p>(a) H:7.5V M:0V L:0V</p>
Q22	Middle/low power switch	
Q23	APC control	Operation during transmission
Q24	Squelch hysteresis switch	ON while busy
D3, 5, 7, 20	Varicap tuner	
D11, 12	Reverse-flow prevention	
D13	HET selection switch	
D14	Temperature compensation	APC
D15, 16	Antenna transmit/receive switch	ON: Transmit; OFF: Receive
D17, 18	Power detection	
D19	Reverse-power connection prevention	

TM-641A/741A/741E

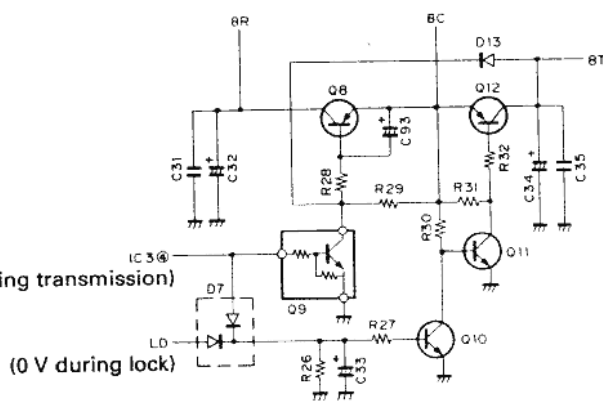
DESCRIPTION OF COMPONENTS

430TX-RX Unit (X57-359X-XX)0-12:TM-741A(K, P), UT-440S(K), 0-22 : TM-741A(M, M2) 2-72 : TM-741E (E)

Reference No.	Function	Description
IC1	Second local oscillation, mixer, IF amplification, detection, low-frequency amplification, noise amplification, noise detection, and squelch switching	① 21.6 MHz first IF input ③, ④ 21.145 MHz second local oscillation ⑨ 0 V when scan control and busy signals are busy. ⑩ Noise detection voltage output (DC) ⑪ Signal-strength meter output ⑫ RD output ⑬ AF output ⑭ Detection output
IC2	Low-frequency amplification and limiter	Microphone amplifier
IC3	Shift register	See the circuit description.
IC4	10V AVR	
IC5	APC	
IC6	430 MHz band transmission driver	① Output ⑬ Input
IC7	Power module	
IC10	VCO.PLL	
Q1, Q2	High-frequency amplification	Operation during reception
Q3	First mixer	Operation during reception
Q5	First IF amplification	Operation during reception. 21.6 MHz

TM-641A/741A/741E

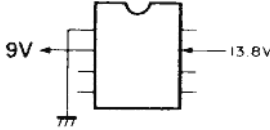
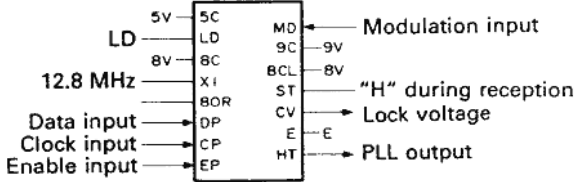
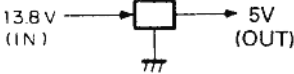
DESCRIPTION OF COMPONENTS

Reference No.	Function	Description
Q8-Q12	Transmission/reception power selection	 <p>(0V during transmission) (0 V during lock)</p> <p>(Q8, Q9, and Q10 are set "OFF" during transmission. Q11 and Q12 are set "ON" during transmission. Q8, Q9, and Q10 are set "ON" during reception. Q11 and Q12 are set "OFF" during reception.)</p>
Q13, Q14, Q15	Inverter	
Q16	Modulation muting	ON during reception
Q17	PLL 8 V ripple filter	
Q18	PLL output amplification	
Q19	Middle/low POWER switch	Middle and low POWER switches are ON when high.
Q20	APC control	Operation during transmission
Q21	Squelch hysteresis switch	OFF when busy
D1	Antenna switch	OFF during reception
D4	PLL output switch	
D5	Temperature compensation	APC
D6, D7	Antireverse current	
D8, D9	Antenna transmission/reception selection	ON during transmission
D10, D11	Power detection	APC
D12	Power reverse connection protection	
D13	Antireverse current	8T pulse rise is faster during transmission and reception.
D14	IF level limiter	

TM-641A/741A/741E

DESCRIPTION OF COMPONENTS

1200TX-RX Unit (X57-3600-11) : UT-1200(M)

Reference No.	Function	Description
IC2	Second local oscillation, mixer, IF amplification, detection, low-frequency amplification, noise amplification, noise detection, and squelch switching	① 59.7 MHz first IF input ③, ④ 59.245 MHz second local oscillation ⑨ 0 V when scan control and busy signals are busy. ⑩ Noise detection voltage output (DC) ⑪ Signal-strength meter output ⑫ Detection output ⑭ RD output ⑮ AF output
IC3	ALT	② 8 V ③ "H" during ALT ⑩ Detection input (DC)
IC4	Low-frequency amplification and limiter	Microphone amplifier
IC5	Shift register	See the circuit description.
IC6	9V AVR	
IC7	Predrive	⑩ Input ① Output
IC8	Drive	① Output ⑧ Input
IC9	APC	
IC10	Power module	
IC11	VCO.PLL	
IC12	5V AVR	Three-terminal regulator 
Q1, Q2	High-frequency amplification	Operation during reception
Q3	First mixer	Operation during reception
Q6	Receiving PLL output amplification	Operation during reception
Q7	First IF amplification	Operation during reception. 59.7 MHz

DESCRIPTION OF COMPONENTS

Reference No.	Function	Description
Q8 - Q13	Transmission/reception power selection	<div style="border: 1px solid black; padding: 5px; width: fit-content; margin-bottom: 10px;"> <p style="text-align: center;">Downloaded by <input type="checkbox"/> Amateur Radio Directory <input type="checkbox"/> www.hamdirectory.info</p> </div> <p>Q8, Q10, and Q11 (b) are set "OFF" during transmission. Q9, Q12, and Q13 are set "ON" during transmission. Q8, Q10, Q11 (b), and Q12 are set "ON" during reception. Q9, Q11 (a), and Q13 are set "OFF" during reception.</p>
Q15, Q16, Q17	Inverter	
Q18	Modulation muting	ON during reception
Q19, Q20	8T voltage selection	OFF when low
Q21	PLL output amplification	
Q22	Transmitting PLL output amplification	Operation during transmission
Q23	8 V ripple filter	
Q24	APC control	Operation during transmission
Q25	Lower-power switch	ON when high
Q26	Squelch hysteresis switch	OFF when busy
Q28	Q1 POWER switch	ON during transmission
D3	IF level limiter	
D4, D17	Antireverse current	
D5, D15	Constant voltage circuit	
D6	Temperature compensation	APC
D7	Temperature compensation	Drive
D8	Overvoltage prevention	
D9	Power detection	APC
D10 - D13	Antenna switch	ON during transmission
D14	Power reverse connection protection	

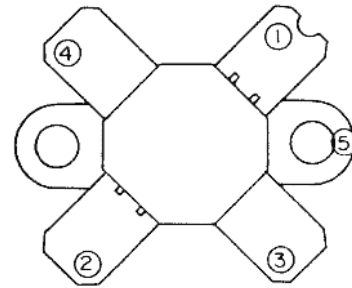
SEMICONDUCTOR DATA

Power Transistor 2SC3240(28 TX-RX Unit)

● Electrical characteristics

Item	Conditions	Maximum value
V _{CB0}		50V
V _{EB0}		5V
V _{CE0}	R _{BE} = ∞	20V
I _C		25A
P _c	T _c = 25°C	270W
T _j		+175°C
T _{stg}		-55 ~ +175°C
T _a	25 ± 3°C	

● External view



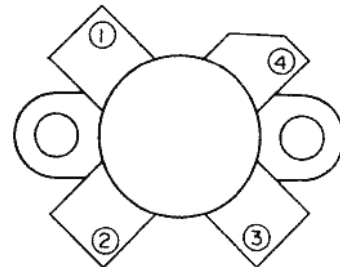
- ① Collector
- ② Base
- ③ Emitter
- ④ Emitter
- ⑤ Flange (Emitter)

Power Transistor MRF492 (50 TX-RX Unit)

● Electrical characteristics

Item	Conditions	Maximum value
V _{CB0}		36V
V _{EB0}		4.0V
V _{CE0}		18V
I _C		20A
P _D	T _c = 25°C	250W
T _{stg}		-65 ~ +150°C

● External view

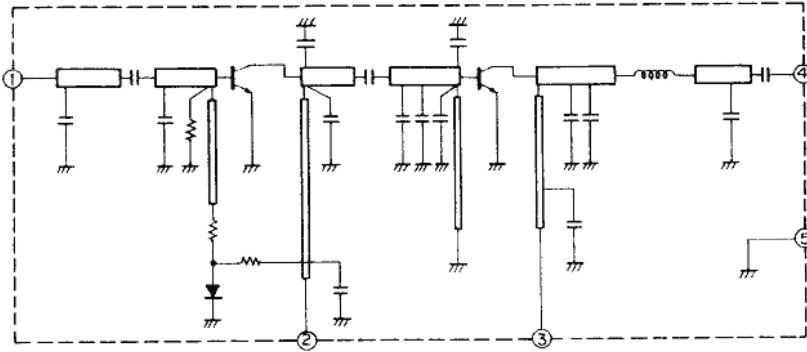


- ① Emitter
- ② Base
- ③ Emitter
- ④ Collector

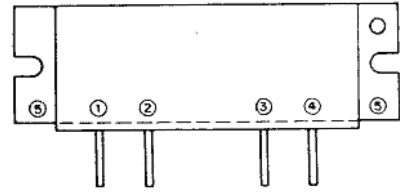
SEMICONDUCTOR DATA

Power module S-AV17 (144 TX-RX UNIT)

● Equivalent circuit diagram



● External view



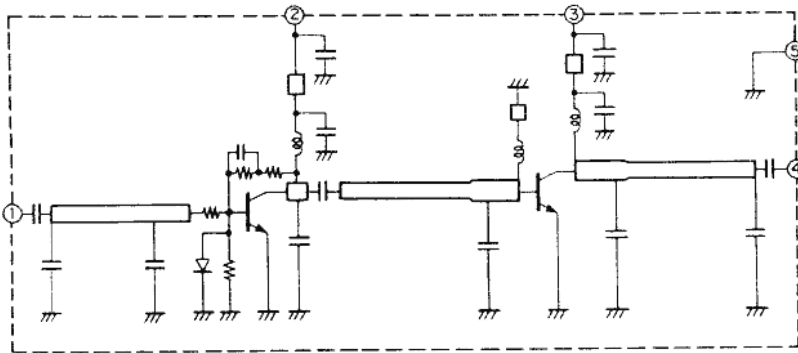
- ① Input terminal
- ② First power supply terminal
- ③ End power supply terminal
- ④ Output terminal
- ⑤ Fin (earth)

● Electrical characteristics

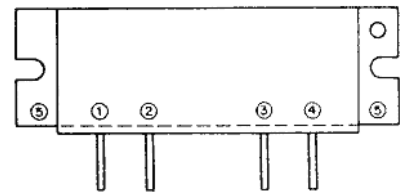
Item	Symbol	Tc (°C)	Conditions	Standard value			Unit
				Minimum	Standard	Maximum	
Frequency	f			144		148	MHz
Output power	P _o	25	V _{cc} = 12.5V, P _{in} = 400mW, Z _g = Z _l = 50Ω			65	W
Combined efficiency	η _T	25	Same as above	45			%
Harmonics	HRM	25	Same as above		-30	-25	dB

Power module M5774 (220 TX-RX UNIT)

● Equivalent circuit diagram



● External view



- ① Input terminal
- ② First power supply terminal
- ③ End power supply terminal
- ④ Output terminal
- ⑤ Fin (earth)

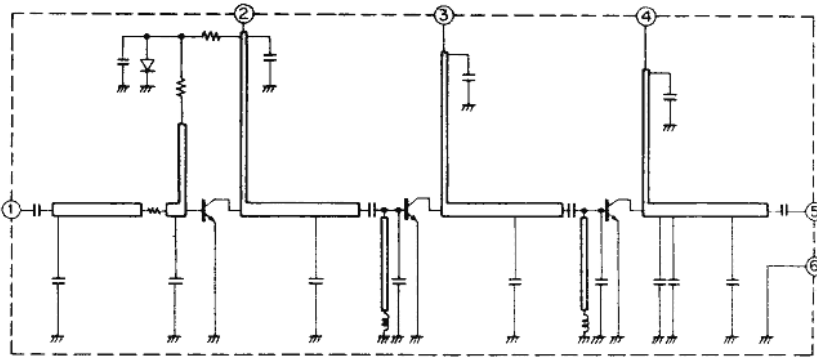
● Electrical characteristics

Item	Symbol	Tc (°C)	Conditions	Standard value			Unit
				Minimum	Standard	Maximum	
Frequency	f			220		225	MHz
Output power	P _o	25	V _{cc} = 12.5V, P _{in} = 0.3W, Z _g = Z _l = 50Ω	30	33	40	W
Combined efficiency	η _T	25	Same as above	43	48		%
Secondary spurious strength		25	Same as above			-30	dB
Tertiary spurious strength		25	Same as above			-35	dB

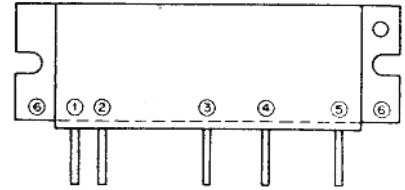
SEMICONDUCTOR DATA

Power module M57788M(430 TX-RX UNIT)

● Equivalent circuit diagram



● External view



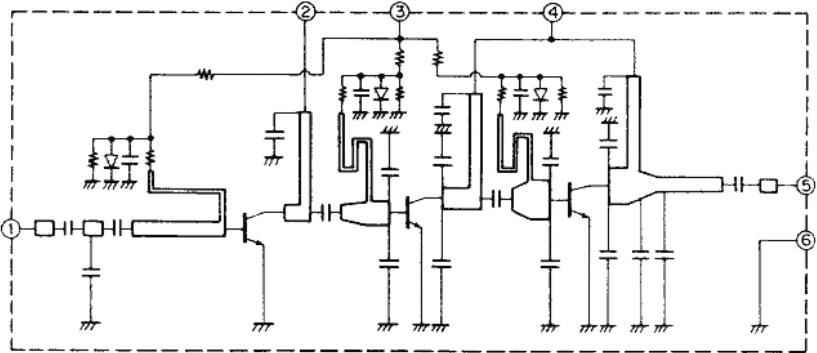
- ① Input terminal
- ② First power supply terminal
- ③ Driver power supply terminal
- ④ End power supply terminal
- ⑤ Output terminal
- ⑥ Fin (earth)

● Electrical characteristics

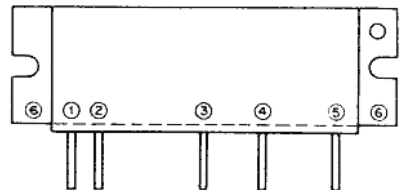
Item	Symbol	Tc (°C)	Conditions	Standard value			Unit
				Minimum	Standard	Maximum	
Frequency	f			430		450	MHz
Output power	Po	25	Vcc = 12.5V, Pin = 400mW, Zg = Zl = 50Ω	40	45		W
Combined efficiency	ηT	25	Same as above	40	45		%
Secondary spurious strength		25	Same as above			-30	dB
Tertiary spurious strength		25	Same as above			-30	dB

Power module M67711 (1200 TX-RX UNIT)

● Equivalent circuit diagram



● External view



- ① Input terminal
- ② First power supply terminal
- ③ Driver power supply terminal
- ④ End power supply terminal
- ⑤ Output terminal
- ⑥ Fin (earth)

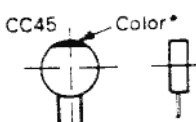
● Electrical characteristics

Item	Symbol	Tc (°C)	Conditions	Standard value			Unit
				Minimum	Standard	Maximum	
Frequency	f			1.24		1.3	GHz
Output power	Po	25	Vcc = 12.5 V, Vbb = 10 V Pin = 1 W, Zg = Zl = 50Ω	16	17		W
Combined efficiency	ηT	25	Same as above	30	35		%
Secondary spurious strength		25	Same as above			-45	dB

PARTS LIST

CAPACITORS

CC 45 TH 1H 220 J
 1 2 3 4 5 6



• Capacitor value

1 0 3 = 0.01 μ F

- 1 = Type ceramic, electrolytic, etc.
- 2 = Shape round, square, etc.
- 3 = Temp. coefficient
- 4 = Voltage rating
- 5 = Value
- 6 = Tolerance

0 1 0 = 1pF

1 0 0 = 10pF

1 0 1 = 100pF

1 0 2 = 1000pF = 0.001 μ F

2 2 0 = 22pF
 1st number | Multiplier
 2nd number

• Temperature Coefficient

1st Word	C	L	P	R	S	T	U
Color*	Black	Red	Orange	Yellow	Green	Blue	Violet
ppm/°C	0	-80	-150	-220	-330	-470	-750

2nd Word	G	H	J	K	L
ppm/°C	± 30	± 60	± 120	± 250	± 500

Example CC45TH = -470 \pm 60 ppm/°C

• Tolerance

Code	C	D	G	J	K	M	X	Z	P	No code
(%)	± 0.25	± 0.5	± 2	± 5	± 10	± 20	+40 -20	+80 -20	+100 -0	More than Less than 10 μ F - 10 ~ +50 4.7 μ F - 10 ~ +75

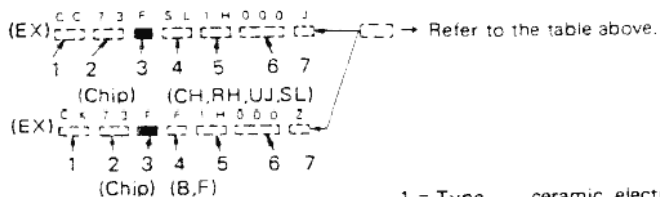
Code	B	C	D	F	G
(pF)	± 0.1	± 0.25	± 0.5	± 1	± 2

Less than 10 pF

• Rating voltage

2nd word	A	B	C	D	E	F	G	H	J	K	V
1st word	0	1	2	3	4	5	6	7	8	9	10
0	1.0	1.25	1.6	2.0	2.5	3.15	4.0	5.0	6.3	8.0	-
1	10	12.5	16	20	25	31.5	40	50	63	80	35
2	100	125	160	200	250	315	400	500	630	800	-
3	1000	1250	1600	2000	2500	3150	4000	5000	6300	8000	-

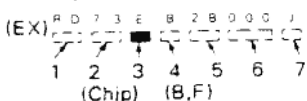
• Chip capacitors



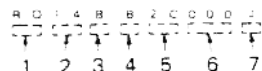
- 1 = Type ceramic, electrolytic, etc.
- 2 = Shape round, square, etc.
- 3 = Dimension
- 4 = Temp. coefficient
- 5 = Voltage rating
- 6 = Value
- 7 = Tolerance.

RESISTORS

• Chip resistor (Carbon)



• Carbon resistor (Normal type)



Dimension

Dimension code	L	W	T
Empty	5.6 \pm 0.5	5.0 \pm 0.5	Less than 2.0
E	3.2 \pm 0.2	1.6 \pm 0.2	Less than 1.25
F	2.0 \pm 0.3	1.25 \pm 0.2	Less than 1.25

Dimension

Dimension code	L	W	T	Wattage
E	3.2 \pm 0.2	1.6 \pm 0.2	0.57	2B
F	2.0 \pm 0.3	1.25 \pm 0.2	0.45	2A

Rating wattage

Cord	Wattage	Cord	Wattage	Cord	Wattage
2A	1/10W	2E	1/4W	3A	1W
2B	1/8W	2H	1/2W	3D	2W
2C	1/6W				

Dimension



TM-641A/741A/741E

PARTS LIST

- New Parts

Parts without Parts No. are not supplied.

Les pièces non mentionnées dans le Parts No. ne sont pas fournies.

Teile ohne Parts No. werden nicht geliefert.

TM-641A

Ref. No. 参照番号	Address 位置	New Parts 新	Parts No. 部品番号	Description 部品名 / 規格	Desti- nation 仕向	Re- marks 備考
TM-641A						
1	1D		A01-2006-03	METALLIC CABINET(UPSIDE)		
2	3F		A01-2040-03	METALLIC CABINET(BOTTOM)		
3	2J	*	A62-0128-03	PANEL ASSY		
4	1J		A82-0001-12	BACK PANEL		
5	3J		B03-0582-04	DRESSING PLATE		
7	4L		B11-1002-04	FILTER		
9	2B		B41-0679-04	CAUTION LABEL		
10	2F		B41-0686-04	CAUTION LABEL(ADJUST)		
11	3A, 4A		B42-2455-04	LABEL		
12	3A, 4A		B42-3343-04	LABEL(S/N0)		
13	4A		B42-3394-14	LABEL(FCC)		
14	3A, 4A	*	B42-3498-04	LABEL(SP. ANT)		
15	3Q		B44-2163-04	UPC CODE LABEL(ITEM CARTON)		
-			B44-2165-04	UPC CODE LABEL(OUTER CARTON)		
17	1Q		B46-0410-30	WARRANTY CARD		
18	2P		B58-1001-00	CAUTION CARD		
21	1Q		B59-0441-00	SUB-INSTRUCTION MANUAL		
22	1P	*	B62-0082-10	INSTRUCTION MANUAL		
23	3A, 4A	*	B72-0286-04	MODEL NAME PLATE(TM-641A)		
24	2J		D10-0607-04	LEVER		
25	1K		D32-0415-04	STOPPER		
26	2E		E23-0676-04	TERMINAL		
27	1C, 2A		E30-3006-05	CONNECTING WIRE(COMMON-PANEL)		
-			E30-3006-08	CURL CORD		
30	2P		E30-3034-05	DC POWER CORD(ACSY)		
31	2D		E37-0006-05	CONNECTING WIRE(SPEAKER)		
32	3G		E37-0007-05	FLAT CABLE(COMMON)		
33	2H		F01-0977-13	HEAT SINK(COMMON AVR)		
34	2I		F01-0978-04	HEAT SINK		
-			F05-2036-05	FUSE(20A)		
36	3N		F07-1203-13	COVER(FAN)		
37	1B		F07-1204-04	COVER(PANEL)		
38	3P		F51-0017-05	FUSE(15A, ACSY)		
39	2J		G01-0854-04	COMPRESSION SPRING		
40	3J		G02-0505-05	LEAF SPRING		
41	1G		G02-0716-04	FLAT SPRING(SPEAKER)		
42	3J		G09-0405-05	SPRING(KNOB)		
43	2H		G10-0635-04	NON-WOVEN FABRIC(19X19)		
44	2E		G10-0663-04	NON-WOVEN FABRIC(100X85)		
46	2D, 4F		G10-0684-04	NON-WOVEN FABRIC(130X10)		
48	2B, 2C		G10-0700-04	NON-WOVEN FABRIC(60X10)		
49	2K		G10-0708-04	NON-WOVEN FABRIC(BACK PANEL)		
50	2E		G10-0709-04	NON-WOVEN FABRIC		
51	1L		G11-0651-04	SHEET		
52	2B		G11-0653-04	SHEET		
53	3G		G11-0658-04	SHEET(10XS)		
54	2L		G11-0664-03	SHEET		
55	1C		G13-0921-04	CUSHION(BACK PANEL)		
56	2M		G13-0967-04	CUSHION(VERTICAL 3 KEY)		
57	2N		G13-0968-04	CUSHION(8 KEY)		
58	3K		G13-0969-04	CUSHION(3 KEY)		

L:Scandinavia

K:USA

P:Canada

Y:HK(Far East, Hawaii)

T:England

E:Europe

Y:AFES(Europe)

X:Australia

M:Other Areas

⚠ indicates safety critical components

PARTS LIST

* New Parts

(Parts without Parts No. are not supplied.)

(Les articles non mentionnés dans le Parts No. ne sont pas fournis.)

(Teil ohne Parts No. werden nicht geliefert.)

TM-641A

Ref. No. 参照番号	Address 位置	New Parts 新	Parts No. 部品番号	Description 部品名/規格	Desti- nation 仕向	Re- marks 備考
59	4C		G13-1302-04	CUSHION		
60	2D, 2F		G53-0500-04	NON-WOVEN FABRIC(30X10)		
61	1H		G53-0511-04	NON-WOVEN FABRIC(COMMON)		
62	3P		H10-2696-02	POLYSTYRENE FORMED FIXTURE		
63	1P		H11-3830-04	PACKING FIXTURE		
67	0P		H25-0029-04	PROTECTION BAG(MIC HOOK SCREW)		
68	2P		H25-0079-04	PROTECTION BAG(200X300)		
69	0P		H25-0723-04	PROTECTION BAG(230X400)		
70	3D	*	H52-0198-04	ITEM CARTON BOX		
-		*	H62-0168-04	OUTER CARTON BOX		
72	2K		J19-1477-04	LED HOLDER		
73	2K		J19-1496-04	HOLDER(VFO, MR, MHz)		
74	2P		J20-0319-24	MIC HOOK(ACSY)		
75	4X		J21-4308-14	MOUNTING HARDWARE(FAN)		
76	2J		J21-4309-14	MOUNTING HARDWARE(CLEVER)		
78	2F		J21-4352-03	MOUNTING HARDWARE		
79	2Q		J29-0464-03	WIRING BOARD		
80	2P		J42-0452-05	BUSHING		
81	4C		J42-0470-03	MIC CORD BUSHING		
82	1M		K27-3078-04	KNOB(BUTTON) VFO		
83	1M		K27-3079-04	KNOB(BUTTON) MR		
84	1M		K27-3080-04	KNOB(BUTTON) MHz		
85	4K		K27-3092-04	KNOB(BUTTON) RELEASE		
86	3L		K27-3108-04	KNOB(BUTTON) POWER		
87	3K		K27-3109-04	KNOB(BUTTON) CONT-SEL		
88	10		K27-3110-04	KNOB(BUTTON) CALL		
89	10		K27-3111-04	KNOB(BUTTON) F		
91	10		K27-3113-04	KNOB(BUTTON) TONE		
92	10		K27-3114-04	KNOB(BUTTON) REV		
93	10		K27-3115-04	KNOB(BUTTON) DTSS		
94	10		K27-3116-04	KNOB(BUTTON) LOW		
95	10		K27-3117-04	KNOB(BUTTON) MUTE		
96	10		K27-3118-04	KNOB(BUTTON) SHIFT		
97	3J		K29-3156-04	KNOB		
98	3J		K29-4575-04	KNOB	VOL	
99	3J		K29-4576-04	KNOB	SQL	
-			L15-0310-25	LOW-FREQUENCY CHOKER COIL		
A	2E		N09-2084-05	SCREW(-)		
B	3E		N30-2030-46	PAN HEAD MACHINE SCREW(UNIT)		
C	1E, 2F		N33-2606-45	OVAL HEAD MACHINE SCREW(CASE)		
D	3N		N33-2614-45	OVAL HEAD MACHINE SCREW(FAN)		
F	1L		N38-2050-45	SCREW(RELEASE)		
G	2P		N46-3010-46	PAN HEAD TAPPING SCREW(MIC HO)		
H	1K		N80-2006-45	PAN HEAD TAPTITE SCREW(PANEL)		
I	10, 2E		N86-2606-45	SCREW		
J	1H, 4H		N87-2606-45	BRAZIER HEAD TAPTITE SCREW		
K	2H		N87-2606-46	BRAZIER HEAD TAPTITE SCREW		
L	2D, 3E		N88-2606-46	FLAT HEAD TAPTITE SCREW(UNIT)		
X	3P		N99-0331-05	SCREW SET(ACSY)		
-			R014DB3A220J	REGISTER 22 J 1W		
SP1	2D		T07-0268-05	SPEAKER		
MPAN	4N		T42-0310-05	FAN MOTOR		

L:Scandinavia

K:USA

P:Canada

Y:PX(Far East, Hawaii)

T:England

E:Europe

Y:AFES(Europe)

X:Australia

M:Other Areas

△ indicates safety critical components.

PARTS LIST

X: New Parts

Parts without Parts No. are not supplied.

Les articles non mentionnés dans le Parts No. ne sont pas fournis.

Teile ohne Parts No. werden nicht geliefert.

TM-641A
TM-741A/E

Ref. No. 参照番号	Address 位置	New Parts 新	Parts No. 部品番号	Description 部品名/規格	Desti- nation 仕向	Re- marks 備考
102	1P		T91-0397-05	MICROPHONE		
105	2P		W01-0414-04	SPANNER(ACSY)		
107	2J, 3G		X53-3310-12	CONTROL UNIT		
108	2L		X54-3120-11	DISPLAY UNIT		
113	2F		X57-3580-12	TX-RX UNIT(144M 50W)		
115	5F		X57-3810-10	TX-RX UNIT(220M 25W)		
120	3K		490-0160-05	PROTECTION SHEET(FRONT GLASS)		
TM-741A/E						
1	1D		AC1-2006-03	METALLIC CABINET(UPSIDE)		
2	3F	*	AD1-2048-03	METALLIC CABINET(BOTTOM)		
3	2J	*	A62-3086-03	PANEL ASSY(TM-741A)	KPM2	
3	2C	*	A62-0087-03	PANEL ASSY(TM-741E)	E	
4	1J		A82-3001-12	BACK PANEL		
5	3C		B03-0562-04	DRESSING PLATE		
7	4L		B11-1002-04	FILTER		
9	2B		B41-0679-04	CAUTION LABEL		
10	2F		B41-0686-04	CAUTION LABEL		
11	3A, 4A		B42-2455-04	LABEL		
12	3A, 4A		B42-3343-04	LABEL(S/N0)		
13	4A		B42-3394-04	LABEL(60C)	KP	
14	3A, 4A	*	B42-3484-04	LABEL(SP, ANT)	KP	
14	3A, 4A	*	B42-3485-04	LABEL(SP, ANT)	EMM2	
15	3Q		B44-2163-04	UPC CODE LABEL(ITEM CARTON)		
-			B44-2165-04	UPC CODE LABEL(OUTER CARTON)		
17	1Q		S46-0410-00	WARRANTY CARD	X	
17	1Q		B46-0419-00	WARRANTY CARD	E	
17	1Q		S46-0422-00	WARRANTY CARD	P	
18	2F		B58-1001-00	CAUTION CARD		
21	1Q	*	B59-0441-00	SUB-INSTRUCTION MANUAL		
22	1P	*	B62-0082-10	INSTRUCTION MANUAL	K	
22	1B, 3B	*	B62-0083-00	INSTRUCTION MANUAL	PEMM2	
22	3B	*	B62-0084-00	INSTRUCTION MANUAL	E	
23	3A, 4A	*	B72-0186-04	MODEL NAME PLATE(TM-741A)	KP	
23	3A, 4A	*	B72-0187-04	MODEL NAME PLATE(TM-741A)	MM2	
23	3A, 4A	*	B72-0188-04	MODEL NAME PLATE(TM-741E)	E	
24	2C		B10-0607-04	LEVER		
25	1K		D32-0415-04	STOPPER		
26	2E		B23-0676-04	TERMINAL		
27	1C, 2A		B30-3005-05	CONNECTING WIRE(COMMON-PANEL)		
-			B30-3006-08	CURL CORD		
30	2P		B30-3034-05	SC CORD		
31	2C		B37-3006-05	CONNECTING WIRE(SPEAKER)		
32	3G		B37-0007-05	PLAT CABLE(COMMON)		
33	2H	*	F01-0977-13	HEAT SINK(COMMON AVR)		
34	2C		F01-0978-04	HEAT SINK		
-			F05-2036-05	FUSE(20A)		
36	3X	*	F07-1203-13	COVER(FAN)		
37	1B		F07-1204-04	COVER(PANEL)		
38	3P	*	F51-0017-05	FUSE(1EA, ACSY)		
39	2C		G01-0854-04	COMPRESSION SPRING		

L:Scandinavia

K:USA

P:Canada

Y:PX(Far East, Hawaii)

T:England

E:Europe

Y:AFES(Europe)

X:Australia

M:Other Areas

△ indicates safety critical components

PARTS LIST

* New Parts

Parts without Parts No. are not supplied.

Refer to do not mention items during the Parts No. do not use formula.

Refer to the Parts No. written in this part after.

TM-741A/E

Ref. No. 参照番号	Address 位置	New Parts ※	Parts No. 部品番号	Description 部品名 / 規格	Desti- nation 仕 向	Re- marks 備考
40	3J		G02-0505-05	LEAF SPRING		
41	1G	*	G02-0716-04	FLAT SPRING(SPEAKER)		
42	3J		G09-0405-05	SPRING(KNOB)		
43	2H		G10-0635-04	NON-WOVEN FABRIC(19X19)		
44	2E		G10-0663-04	NON-WOVEN FABRIC(100X80)		
46	2D, 4F		G10-0684-04	NON-WOVEN FABRIC(130X10)		
-			G10-0694-04	NON-WOVEN FABRIC		
48	2B, 2C		G10-0700-04	NON-WOVEN FABRIC(60X10)		
49	2K		G10-0708-04	NON-WOVEN FABRIC(BACK PANEL)		
50	2E		G10-0709-04	NON-WOVEN FABRIC		
51	1L		G11-0651-04	SHEET		
52	2B		G11-0653-04	SHEET		
53	3B		G11-0658-04	SHEET(10X5)		
54	2L		G11-0664-03	SHEET		
55	1J		G13-0921-04	CUSHION(BACK PANEL)		
56	2M		G13-0967-04	CUSHION(3 KEY)		
57	2K		G13-0968-04	CUSHION(6 KEY)		
58	3X		G13-0969-04	CUSHION(3 KEY)		
59	3C		G13-1302-04	CUSHION		
60	2D, 3F		G53-0508-04	NON-WOVEN FABRIC(30X10)		
61	1H		G53-0511-04	NON-WOVEN FABRIC(COMMON)		
62	3P, 2S		H10-2696-02	POLYSTYRENE PERMED FIXTURE		
63	1P		H11-0830-04	PACKING FIXTURE		K
64	5R	*	H11-0856-14	POLYSTYRENE PLATE		E
65	2R	*	H11-0857-14	POLYSTYRENE PLATE		E
66	1S	*	H13-0561-04	PROTECTION BOARD		PM2
67	2P		H25-0029-04	PROTECTION BAG		KP
68	2P		H25-0079-04	PROTECTION BAG(200X200)		
69	2D		H25-0723-04	PROTECTION BAG(230X400)		
70	3Q	*	H52-0103-04	ITEM CARTON BOX(TM-741A, 440M)		KP
70	3Q	*	H52-0104-04	ITEM CARTON BOX(TM-741A, 430M)		MM2
70	3Q	*	H52-0105-04	ITEM CARTON BOX(TM-741E)		E
-		*	H62-0093-04	OUTER CARTON BOX(TM-741A)		KPM2
-		*	H62-0094-04	OUTER CARTON BOX(TM-741E)		E
72	2K		J19-1477-04	LED HOLDER		
73	2K		J19-1496-04	HOLDER(VFO, MR, MHZ)		
74	2P		J20-0319-24	MIC BOOK(ACSY)		KP
75	4N	*	J21-4309-14	MOUNTING HARDWARE(FAN)		
76	2T		J21-4309-14	MOUNTING HARDWARE(LEVER)		
78	2P		J21-4352-03	MOUNTING HARDWARE		
79	2Q		J29-0454-03	WIRING BOARD		
80	2P		J42-0452-05	BUSHING		
81	4C		J42-0470-03	MTC CORD BUSHING		
82	1M		K27-3078-04	KNOB(BUTTON) VFO		
83	1M		K27-3079-04	KNOB(BUTTON) MR		
84	1M		K27-3080-04	KNOB(BUTTON) MHZ		
85	4K		K27-3092-04	KNOB(BUTTON) RELEASE		
86	3L		K27-3108-04	KNOB(BUTTON) POWER		
87	3K		K27-3109-04	KNOB(BUTTON)		
88	1O		K27-3110-04	KNOB(BUTTON) CALL		
89	1O		K27-3111-04	KNOB(BUTTON) F		
90	1O		K27-3112-04	KNOB(BUTTON) BELL		
91	1O		K27-3113-04	KNOB(BUTTON) TONE		

L:Sancheva

K:USA

P:Canada

Y:PX(Far East, Hawaii)

T:England

E:Europe

V:AFES(Europe)

X:Australia

M:Other Areas

⚠ indicates safety critical components.

PARTS LIST

▲ New Parts

Parties without Parts No. are not supplied

Les articles sans numéro de partie ne sont pas fournis.

Teile ohne Parts No. werden nicht geliefert.

TM-741A/E

UT-28S

Ref. No. 参照番号	Address 位置	New Parts 新部品	Parts No. 部品番号	Description 部品名/規格	Desti- nation 仕向	Re- marks 備考
92	10		K27-3114-04	KNOB(BUTTON) REV		
93	10		K27-3115-04	KNOB(BUTTON) BTSS		
94	10		K27-3116-04	KNOB(BUTTON) LOW		
95	10		K27-3117-04	KNOB(BUTTON) MUTE		
96	10	*	K27-3118-04	KNOB(BUTTON) SHIFT		
97	3J		K29-3156-04	KNOB		
98	3J		K29-4575-04	KNOB VOL		
99	3J		K29-4576-04	KNOB SQL		
-			L15-0310-25	LOW-FREQUENCY CHOKE COIL		
A	2E		N09-2084-05	SCREW		
B	3E		N20-3030-46	PAN HEAD MACHINE SCREW(UNIT)		
C	1E, 2F		N33-2606-45	ØVAL HEAD MACHINE SCREW(CASE)		
D	3N		N33-2614-45	ØVAL HEAD MACHINE SCREW(PAN)		
E	1L	*	N38-2050-45	SCREW(RELEASE)		
G	2P		N46-3010-46	PAN HEAD TAPPING SCREW(MIC HØØ)		
H	1K		N80-3006-45	PAN HEAD TAPTITE SCREW(PANEL)		
I	1J, 2E		N86-2606-45	SCREW		
J	1F, 4H		N87-2606-46	BRAZIER HEAD TAPTITE SCREW		
K	2H		N87-2608-46	BRAZIER HEAD TAPTITE SCREW		
L	2D, 3E		N88-2606-46	FLAT HEAD TAPTITE SCREW(UNIT)		
M	3P		N99-0331-05	SCREW SET(ACSY)		
-			RD14GB3A220J	REGISTOR 22 J 1W		
SP1	2D		T07-0268-05	SPEAKER		
MFAN	4N		T42-0310-05	FAN MOTOR		
102	1P		T91-0396-05	MICROPHONE		MM2
102	1P		T91-0397-05	MICROPHONE		KP
102	1P		T91-0398-05	MICROPHONE		E
105	2P		W01-0414-04	SPANNER(ACSY)		
107	2I, 3G	*	X53-3310-12	CONTROL UNIT		KPMM2
107	2I, 3G	*	X53-3312-71	CONTROL UNIT		E
108	2W	*	X54-3120-11	DISPLAY UNIT		KP
108	2W	*	X54-3120-21	DISPLAY UNIT		M
108	2W	*	X54-3120-22	DISPLAY UNIT		M2
108	2W	*	X54-3122-71	DISPLAY UNIT		E
113	2F	*	X57-3580-12	TX-RX UNIT(144M 50W)		
115	3F	*	X57-3590-12	TX-RX UNIT(440M 35W)		KP
115	3P	*	X57-3590-22	TX-RX UNIT(430M 35W)		MM2
115	3P	*	X57-3592-72	TX-RX UNIT(430M 35W)		E
UT-28S						
300	1U		B41-0686-04	CAUTION LABEL(ADJUST)		
303	1T		B42-2437-04	LABEL(S/NO,UNIT)		
305	1T		B42-2454-04	LABEL(S/NO,ITEM CARTON BOX)		
309	2U		B42-3488-04	LABEL(FREQUENCY)		
311	1T		B62-0089-10	INSTRUCTION MANUAL		
313	2U		E23-0657-04	TERMINAL		
315	1U		G11-0665-04	SHEET(PAN CABLE)		
317	2T, 1U		H10-2726-03	POLYSTYRENE FOAMED FIXTURE		
320	1T		H15-0855-04	PROTECTION BOARD		
322	2U		H25-0029-04	PROTECTION BAG(60X110)		
324	1T, 1U		H25-0760-04	PROTECTION BAG(200X350)		
326	2T	*	H52-0130-04	ITEM CARTON BOX		

L:Scandinavia

K:USA

P:Canada

Y:PX(Far East, Hawaii)

T:England

E:Europe

Y:AFES(Europe)

X:Australia

M:Other Areas

▲ indicates safety critical components.

PARTS LIST

New Parts

Parts without Parts No. are not supplied.

Parts with a mark in the column of Parts No. are sold as follows:

△: Only one Parts No. is shown in the column.

UT-28S

UT-50S

UT-220S

UT-440S

Ref. No. 参照番号	Address New Parts 位置新部品	Parts No. 部品番号	Description 部品名/規格	Desti- nation 仕向	Re- marks 備考
328	ET	* H62-0110-04	OUTER PACKING CASE		
330	1U	J69-0325-05	O RING		
335	1U	N99-0355-05	SCREW SET		
340	1U, 2T	X57-3790-01	TX-RX UNIT(20MHz 50W)		
UT-50S					
300	1U	B41-0686-04	CAUTION LABEL(ADJUST)		
303	1T	B42-2437-04	LABEL(S/NO, UNIT)		
305	1T	B42-2454-04	LABEL(S/NO, ITEM CARTON BOX)		
309	2U	B42-3488-04	LABEL(FREQUENCY)		
311	1T	B62-0089-10	INSTRUCTION MANUAL		
313	2U	E23-0657-04	TERMINAL		
315	1U	G11-0665-04	SHEET(FAN CABLE)		
317	1U, 2T	H10-2726-03	POLYSTYRENE FOAMED FIXTURE		
320	1T	H13-0855-04	PROTECTION BOARD		
322	2U	H25-0029-04	PROTECTION BAG(60X10)		
324	1T, 1U	* H25-0760-04	PROTECTION BAG(200X350)		
326	2T	* H52-0133-04	ITEM CARTON BOX		
328	ET	* H62-0117-04	OUTER CARTON BOX		
330	1U	J69-0325-05	O RING		
335	1U	N99-0355-05	SCREW SET		
340	1U, 2T	* X57-3800-01	TX-RX UNIT(50M 50W)		
UT-220S					
300	1U	B41-0686-04	CAUTION LABEL(ADJUST)		
303	1T	B42-2437-04	LABEL(S/NO, UNIT)		
305	1T	B42-2454-04	LABEL(S/NO, ITEM CARTON BOX)		
309	2U	B42-3488-04	LABEL(FREQUENCY)		
311	1T	B62-0089-10	INSTRUCTION MANUAL		
313	2U	E23-0657-04	TERMINAL		
315	1U	G11-0665-04	SHEET(FAN CABLE)		
317	1U, 2T	H10-2726-03	POLYSTYRENE FOAMED FIXTURE		
320	1T	H13-0855-04	PROTECTION BOARD		
322	2U	H25-0029-04	PROTECTION BAG(60X110)		
324	1T, 1U	H25-0760-04	PROTECTION BAG(200X350)		
326	2T	* H52-0136-04	ITEM CARTON BOX		
328	ET	* H62-0116-04	OUTER PACKING CASE		
330	1U	J69-0325-05	O RING		
335	1U	N99-0355-05	SCREW SET		
340	1U, 2T	* X57-3810-10	TX-RX UNIT(220MHz 25W)		
UT-440S					
300	1U	B41-0686-04	CAUTION LABEL(ADJUST)		
303	1T	B42-2437-04	LABEL(S/NO, UNIT)		
305	1T	B42-2454-04	LABEL(S/NO, ITEM CARTON BOX)		
309	2U	B42-3488-04	LABEL(FREQUENCY)		
311	1T	B62-0089-10	INSTRUCTION MANUAL		

L: Scandinavia

K: USA

P: Canada

Y: PX (For East. Hawn)

T: England

E: Europe

Y: APES (Europe)

X: Australia

M: Other Areas

△ indicates safety critical components

PARTS LIST

* New Parts

Parts without Parts No. are not supplied.

Les articles non mentionnés dans le Parts No. ne sont pas fournis.

Teilenummer Parts No. werden nicht geliefert.

UT44DS

UT-1200

CONTROL UNIT (X53-331X-XX)

Ref. No. 参照番号	Address 位置	New Parts 新	Parts No. 部品番号	Description 部品名 / 規格	Desti- nation 仕向	Re- marks 備考
313	2U		B23-0657-04	TERMINAL		
315	1U		G11-0665-04	SHEET(FAN CABLE)		
317	1U, 2T		H10-2726-03	POLYSTYRENE FOAMED FIXTURE		
320	1T		H13-0855-04	PROTECTION BOARD		
322	2U		H25-0029-04	PROTECTION BAG(60X110)		
324	1T, 1U		H25-0760-04	PROTECTION BAG(200X350)		
326	2T	*	H52-0197-04	ITEM CARTON BOX		
328	3T	*	H62-0169-04	OUTER PACKING CASE		
330	1U		J69-0325-05	O RING		
335	1U		N99-0355-05	SCREW SET		
340	1U, 2T		X57-3990-12	TX-RXUNIT(440MHZ 35W)		
UT-1200						
300	1U	*	B41-0686-04	CAUTION LABEL(ADJUST)		
303	1T	*	B42-2437-04	LABEL(S/N#)		
305	1T	*	B42-2454-04	LABEL(S/N#) ITEM CARTON BOX		
309	2U	*	B42-2466-04	LABEL(FREQUENCY)		
311	1T	*	B62-0089-10	INSTRUCTION MANUAL		
313	2U		B23-0657-04	TERMINAL		
315	1U	*	G11-0665-04	SHEET(FAN CABLE)		
317	1U, 2T	*	H10-2726-03	POLYSTYRENE FOAMED FIXTURE		
320	1T	*	H13-0855-04	PROTECTION BOARD		
322	2U		H25-0029-04	PROTECTION BAG(60X110)		
324	1T, 1U		H25-0760-04	PROTECTION BAG(200X350)		
326	2T	*	H52-0112-04	ITEM CARTON BOX		
328	3T	*	H62-0101-04	OUTER CARTON BOX		
330	1U		J69-0325-05	O RING		
335	1U	*	N99-0355-05	SCREW SET		
340	1U, 2T		X57-3600-11	TX-RX UNIT(1200MHZ 10W)		
CONTROL UNIT (X53-331X-XX) 0-12K, P, M, M2 2-71E						
C1 -4			CK73FB1H102K	CHIP C	1000PF	K
C5			CK73FB1E104K	CHIP C	0.10UF	K
C6			CK73FF1C105Z	CHIP C	1.0UF	Z
C7			CK73FB1E223K	CHIP C	0.022UF	K
C8			CK73FB1H102K	CHIP C	1000PF	K
C9			CK73FB1E104K	CHIP C	0.10UF	K
C10			CK73FB1H102K	CHIP C	1000PF	K
C11			CK73FF1C105Z	CHIP C	1.0UF	Z
C12			CK73FB1H102K	CHIP C	1000PF	K
C13			CK73FB1E223K	CHIP C	0.022UF	K
C14			CK73FB1H102K	CHIP C	1000PF	K
C15			CC73FCH1H390J	CHIP C	39PF	J
C16			CC73FCH1H330J	CHIP C	33PF	J
C17 -19			C92-0005-05	ELECTRO	2.2UF	6.3WV
C20 -28			CK73FB1E104K	CHIP C	0.10UF	K
C29			CK73FF1C105Z	CHIP C	1.0UF	Z
C30			CK73FB1E104K	CHIP C	0.10UF	K
C31			C92-0507-05	CHIP TAN	4.7UF	6.3WV

L:Scandinavia

K:USA

P:Canada

Y:PK(Far East, Haws.)

T:England

E:Europe

Y:AFES(Europe)

X:Australia

M:Other Areas

▲ indicates safety critical components.

PARTS LIST

- New Parts

Parts without Part No. are not supplied

(Excludes non mentioned parts in Parts No. in work book form)

Refer to Part No. work book for right quantity.

CONTROL UNIT (X53-331X-XX)

Ref. No. 参照番号	Address 位置	New 新	Parts No. 部品番号	Description 部品名 / 規格	Distri- nation 任 向	Re- marks 備考
C32	-35		CK73FB1H102K	CHIP C 1000PF K		
C36	,37		CC73PSL1H101J	CHIP C 100PF J		
C38	-40		CK73FB1H102K	CHIP C 1000PF K		
C41			CE04EW1A101M	ELECTRO 100UF 10WV		
C42			CK73FP10105Z	CHIP C 1.0UF Z		
C43			CK73FB1H102K	CHIP C 1000PF K		
C44			CK73FE1E103K	CHIP C 0.01UF K		
C46	,46		CK73FB1H102K	CHIP C 1000PF K		
C47	47		CK73FB1E104K	CHIP C 0.10UF K		
C50			CK73FP10105Z	CHIP C 1.0UF Z		
C51			CC73PSL1H101J	CHIP C 100PF J		
C101-103			CK73FB1E102K	CHIP C 1000PF K		
C104			CE04EW1C470M	ELECTRO 47UF 16WV		
C105			CK73FB1H102K	CHIP C 1000PF K		
C106			CE04EW1A470M	ELECTRO 47UF 10WV		
C107,108			CK73FB1E123K	CHIP C 0.012UF K		
C109			C92-0507-05	CHIP TAN 4.7UF 6.3WV		
C110			CK73FB1H682K	CHIP C 6800PF K		
C111			CK73FP10105Z	CHIP C 1.0UF Z		
C112-115			CK73FB1E104K	CHIP C 0.10UF K		
C116			CE04EW1A471M	ELECTRO 470UF 10WV		
C117-120			CE04EW1A470M	ELECTRO 47UF 10WV		
C121			CE04EW1C101M	ELECTRO 100UF 16WV		
C122-125			CE04EW1A470M	ELECTRO 47UF 10WV		
C126			CE04EW1C101M	ELECTRO 100UF 16WV		
C127-129			CK73FB1E104K	CHIP C 0.10UF K		
C130,131			CK73FB1H102K	CHIP C 1000PF K		
C132		*	C90-2167-05	ELECTRO 100UF 16WV		
C133-135			CE04EW1A471M	ELECTRO 470UF 10WV		
C136			CK73FB1H102K	CHIP C 1000PF K		
C137			CK73FB1E123K	CHIP C 0.012UF K		
C138			CE04EW1C470M	ELECTRO 47UF 16WV		
C139			CK73FB1E223K	CHIP C 0.022UF K		
C140,141			CK73FB1E103K	CHIP C 0.01UF K		
C142,143			CK73FB1H102K	CHIP C 1000PF K		
C144			CC73PSL1H101J	CHIP C 100PF J		
C145,146			CK73FP10105Z	CHIP C 1.0UF Z		
CN1	,2		E40-3417-05	PIN CONNECTOR (13P)		
CN3			E40-3246-05	PIN CONNECTOR (2P)		
CN4			E40-3248-05	PIN CONNECTOR (4P, PANEL)		
CN5			E40-3188-05	PIN CONNECTOR (11P, DTSS)		
CN6			E40-5183-05	PIN CONNECTOR (6P, DTSS)		
CN7			E40-5343-05	PIN CONNECTOR (9P, DTSS)		
CN8			E40-5224-05	PIN CONNECTOR (16P)		
CN101-106			E40-5452-05	PIN CONNECTOR (12P)		
CN107,108			E40-3400-05	PIN CONNECTOR (13P)		
CN109			E40-5224-05	PIN CONNECTOR (16P)		
J1			E11-0425-05	PHONE JACK (3.50)		
J2		*	E08-0876-05	RECTANGULAR RECEPTACLE(8P)		
W1			E23-1871-15	FINISHED WIRE SET		
W2	,3	*	E33-1943-05	FINISHED WIRE SET		
W201		*	E37-0187-15	CONNECTING WIRE(PAN)		
X1			L77-1333-05	CRYSTAL RESONATOR(4.19MHZ)		

L:Scandinavia

K:USA

P:Canada

Y:PX(Far East, Hawaii)

T:England

E:Europe

Y:AFES(Europe)

X:Australia

M:Other Areas

△ indicates safety critical components

PARTS LIST

- New Parts

Items without Parts No. are not supplied.

Les articles non mentionnés dans le Parts No. ne sont pas fournis.

Teil ohne Parts No. werden nicht geliefert.

CONTROL UNIT (X53-331X-XX)

Ref. No.	Address	New Parts	Parts No.	Description	Destination	Remarks
参照番号	位置	新	部品番号	部品名 / 規格	仕向	備考
R1	-3		RK73FB2A102J	CHIP R 1.0K J 1/10W		
R4	-6		RK73FB2A473J	CHIP R 47K J 1/10W		
R7			RK73FB2A102J	CHIP R 1.0K J 1/10W		
R8			R90-0711-05	MULTI-COMP		
R9			RK73FB2A102J	CHIP R 1.0K J 1/10W		
R10			RK73FB2A154J	CHIP R 150K J 1/10W		
R11			RK73FB2A333J	CHIP R 33K J 1/10W		
R12			RK73FB2A102J	CHIP R 1.0K J 1/10W		
R13			RK73FB2A102J	CHIP R 1.0K J 1/10W	E	KPM2
			RK73FB2A392J	CHIP R 3.9K J 1/10W		
R14			RK73FB2A332J	CHIP R 3.3K J 1/10W	KPM2	
R14			RK73FB2A682J	CHIP R 6.8K J 1/10W	E	
R15			RK73FB2A183J	CHIP R 18K J 1/10W		
R16			RK73FB2A104J	CHIP R 100K J 1/10W		
R17			RK73FB2A182J	CHIP R 1.8K J 1/10W		
R18			RK73FB2A221J	CHIP R 220 J 1/10W		
R19			RK73FB2A563J	CHIP R 56K J 1/10W		
R20	,21		RK73FB2A473J	CHIP R 47K J 1/10W		
R22			RK73FB2A472J	CHIP R 4.7K J 1/10W		
R23	-28		RK73FB2A153J	CHIP R 15K J 1/10W		
R29			RK73FB2A684J	CHIP R 680K J 1/10W		
R30			RK73FB2A272J	CHIP R 2.7K J 1/10W		
R31			RK73FB2A102J	CHIP R 1.0K J 1/10W		
R32			RK73FB2A684J	CHIP R 680K J 1/10W		
R33			RK73FB2A272J	CHIP R 2.7K J 1/10W		
R34			RK73FB2A102J	CHIP R 1.0K J 1/10W		
R35			RK73FB2A684J	CHIP R 680K J 1/10W		
R36			RK73FB2A272J	CHIP R 2.7K J 1/10W		
R37			RK73FB2A102J	CHIP R 1.0K J 1/10W		
R38	-40		RK73FB2A104J	CHIP R 100K J 1/10W		
R41			RK73FB2A103J	CHIP R 10K J 1/10W		
R42			RK73FB2A105J	CHIP R 1.0K J 1/10W		
R43			RK73FB2A123J	CHIP R 12K J 1/10W		
R44	-47		RK73FB2A103J	CHIP R 10K J 1/10W		
R48			RK73FB2A683J	CHIP R 68K J 1/10W		
R49			RK73FB2A473J	CHIP R 47K J 1/10W		
R50			RK73FB2A474J	CHIP R 470K J 1/10W		
R51			RK73FB2A124J	CHIP R 120K J 1/10W		
R52			RK73FB2A472J	CHIP R 4.7K J 1/10W		
R53			RK73FB2A224J	CHIP R 220K J 1/10W		
R54			RK73FB2A184J	CHIP R 180K J 1/10W		
R55			RK73FB2A474J	CHIP R 470K J 1/10W		
R56			R92-0670-05	CHIP R 0 0HZ		
R57			RK73FB2A223J	CHIP R 22K J 1/10W		
R58			R92-0670-05	CHIP R 0 0HZ		
R59			RK73FB2A472J	CHIP R 4.7K J 1/10W		
R60			R92-1291-05	CHIP R 2.7 J 1W		
R61	-63		RK73FB2A474J	CHIP R 470K J 1/10W		
R64	-67		RK73FB2A473J	CHIP R 47K J 1/10W		
R66			RK73FB2A472J	CHIP R 4.7K J 1/10W		
R69			RK73FB2A103J	CHIP R 10K J 1/10W		
R70			RK73FB2A473J	CHIP R 47K J 1/10W		
R71			RK73FB2A472J	CHIP R 4.7K J 1/10W		
R72			RK73FB2A822J	CHIP R 8.2K J 1/10W		
R73			RK73FB2A153J	CHIP R 15K J 1/10W		

L:Scandinavia

K:USA

P:Canada

Y:PK(Far East, Hawaii)

T:England

E:Europe

Y:AFES(Europe)

X:Australia

M:Other Areas



indicates safety critical components

PARTS LIST

* New Parts

Parts without Parts No. are not supplied.

Les articles non mentionnés dans le Parts No. ne sont pas fournis.

Teile ohne Parts No. werden nicht geliefert.

CONTROL UNIT (X53-331X-XX)

Ref. No. 参照番号	Address 位置	New Parts 新	Parts No. 部品番号	Description 部品名 / 規格	Desti- nation 仕 向	Re- marks 備考
R74			RK73FB2A473J	CHIP R 47K J 1/10W		
R75, 76			RK73FB2A102J	CHIP R 1.0K J 1/10W		
R77			RK73FB2A109J	CHIP R 1.0M J 1/10W		
R78			RK73FB2A471J	CHIP R 470 J 1/10W		
R79			RK73FB2A272J	CHIP R 2.7K J 1/10W		
R101			RK73FB2A273J	CHIP R 27K J 1/10W		
R102			RK73FB2A103J	CHIP R 12K J 1/10W		
R103			RK73FB2A562J	CHIP R 5.6K J 1/10W		
R104			RK73FB2A272J	CHIP R 2.7K J 1/10W		
R105			RK73FB2A122J	CHIP R 1.2K J 1/10W		
R106			RK73FB2A561J	CHIP R 560 J 1/10W		
R107			RK73FB2A273J	CHIP R 27K J 1/10W		
R108			RK73FB2A123J	CHIP R 12K J 1/10W		
R109			RK73FB2A562J	CHIP R 5.6K J 1/10W		
R110			RK73FB2A272J	CHIP R 2.7K J 1/10W		
R111			RK73FB2A122J	CHIP R 1.2K J 1/10W		
R112			RK73FB2A561J	CHIP R 560 J 1/10W		
R113			RK73FB2A273J	CHIP R 27K J 1/10W		
R114			RK73FB2A123J	CHIP R 12K J 1/10W		
R115			RK73FB2A562J	CHIP R 5.6K J 1/10W		
R116			RK73FB2A272J	CHIP R 2.7K J 1/10W		
R117			RK73FB2A122J	CHIP R 1.2K J 1/10W		
R118			RK73FB2A561J	CHIP R 560 J 1/10W		
R119			RK73FB2A472J	CHIP R 4.7K J 1/10W		
R120			RK73FB2A103J	CHIP R 10K J 1/10W		
R121			R92-1215-05	CHIP R 470 J 1/2W		
R122-124			RK73FB2A103J	CHIP R 10K J 1/10W		
R125-129			RK73FB2A104J	CHIP R 100K J 1/10W		
R130			RK73FB2A183J	CHIP R 18K J 1/16W		
R131			RK73FB2B183J	CHIP R 18K J 1/16W		
R132, 133			RK73FB2A183J	CHIP R 18K J 1/10W		
R134			RK73FB2A473J	CHIP R 4.7K J 1/10W		
R135			RK73FB2A473J	CHIP R 47K J 1/10W		
R136, 137			RK73FB2A101J	CHIP R 100 J 1/10W		
R138, 139			RK73FB2A473J	CHIP R 47K J 1/10W		
R140, 141			RK73FB2A101J	CHIP R 100 J 1/10W		
R142			RK73FB2A473J	CHIP R 47K J 1/10W		
R143-145			RK73FB2A473J	CHIP R 4.7K J 1/10W		
R146			RK73FB2A474J	CHIP R 470K J 1/10W		
R147, 148			RK73FB2A183J	CHIP R 18K J 1/10W		
R149			RK73FB2A332J	CHIP R 3.3K J 1/10W		
R150			RK73FB2A474J	CHIP R 470K J 1/10W		
R151, 152			RK73FB2A183J	CHIP R 18K J 1/10W		
R153			RK73FB2A332J	CHIP R 3.3K J 1/10W		
R154			RK73FB2A183J	CHIP R 18K J 1/10W		
R155			RK73FB2A183J	CHIP R 18K J 1/10W		
R156			RK73FB2A474J	CHIP R 470K J 1/10W		
R157			RK73FB2A332J	CHIP R 3.3K J 1/10W		
R158			RK73FB2A473J	CHIP R 47K J 1/10W		
R159			RK73FB2A473J	CHIP R 47K J 1/10W		
R160			R92-0685-05	CHIP R 22 J 1/2W		
R161			RK73FB2A472J	CHIP R 4.7K J 1/10W		
R162-169			RK73FB2A473J	CHIP R 47K J 1/10W		
R170			RK73FB2A563J	CHIP R 56K J 1/10W		
R171			RK73FB2A103J	CHIP R 10K J 1/10W		

L:Scandinavia

K:USA

P:Canada

Y:FX(Far East (Hawaii))


T:England

E:Europe

Y:AFES(Europe)

X:Australia

M:Other Areas

 indicates safety critical components

PARTS LIST

* New Parts

Parts without Parts No. are not supplied.

Les articles non mentionnés dans le Parts No. ne sont pas fournis.

Teile ohne Parts No. werden nicht geliefert.

CONTROL UNIT (X53-331X-XX)

DISPLAY UNIT (X54-312X-XX)

Ref. No. 参照番号	Address 位置	New Parts 新	Parts No. 部品番号	Description 部品名/規格	Desti- nation 仕向	Re- marks 備考
R172			RK73FB2A473J	CHIP R 47K J 1/10W		
R173, 174			RK73FB2A472J	CHIP R 4.7K J 1/10W		
R175-177			RK73FB2A102J	CHIP R 1.0K J 1/10W		
R178			R92-0670-25	CHIP R 0.0HM		
D1			1SS184	DIODE		
D2			LFE01	DIODE		
D3			02C26.8(X)	DIODE		
D4			LFB01	DIODE		
D5			02C23.0(Z)	DIODE		
D6			LFB01	DIODE		
D101-103			1SS226	DIODE		
IC1		*	75517GF-014-359	IC(CPU)		
IC2			LC3564PML-12,15	IC(64K RAM/MEMORY BACK UP)		
IC3			TA76L06F	IC(8V AVR)		
IC4, 5			TC9154AP	IC(2CH ELECTRONIC VOLUME)		
IC6, 7			BU40948F	IC(SHIFT REGISTER)		
IC8, 9			BU4053BF	IC(ANALOG SWITCH)		
IC10			NJM4558E	IC(AF AMP ADDE)		
IC11, 12			TC4S11F	IC(2 INPUT NAND GATE)		
IC101			CX01095Q	IC(I/O EXPANDER)		
IC102			MC78T06CT	IC(8V AVR)		
IC103			NJM4558E	IC(ADDER)		
IC104, 105			LA4446	IC(AF PA)		
IC106			BU4053BF	IC(ANALOG SW)		
IC107-110			BU4066BF	IC(ANALOG SWITCH X4)		
Q1			2SC3324(G)	TRANSISTOR		
Q2			2SC2712(Y)	TRANSISTOR		
Q3			DTC114EK	DIGITAL TRANSISTOR		
Q4 -6			2SC2712(Y)	TRANSISTOR		
Q9 -11			DTC114EK	DIGITAL TRANSISTOR		
Q12			2SC1757K	TRANSISTOR		
Q13 -15			2SD1757(X)	TRANSISTOR		
Q16			2SA1519	TRANSISTOR		
Q17			2SC2712(Y)	TRANSISTOR		
Q101			2SC2712(Y)	TRANSISTOR		
Q102			2SA1641(S,T)	TRANSISTOR		
Q103			DTC143EK	DIGITAL TRANSISTOR		
Q104, 105			DTC114EK	DIGITAL TRANSISTOR		
Q106			DTC144EK	DIGITAL TRANSISTOR		
Q107			2SC2712(Y)	TRANSISTOR		
Q108			DTA144EK	DIGITAL TRANSISTOR		
BA1	3H		W09-0573-05	LITHIUM BATTERY		
DISPLAY UNIT (X54-312X-XX) 0-11:K, P 0-21:M 0-22:M2 2-71:E						
PL1 -6		*	B11-0487-05	FILTER(LCD)		
		*	B11-0500-15	FILTER(KNOB)		
		*	B11-1026-04	FILTER(LCD)		
		*	B30-0357-05	LCD		
		*	B30-0866-15	LAMP		
C1			C92-0038-05	ELECTRO 22UF 16WV		
C2			CK73FB1H102K	CHIP C 1000PF K		
C3		*	C92-0048-05	ELECTRO 100UF 6.3WV		
C4, 5			CK73FB1H102K	CHIP C 1000PF K		
C7			CK73FB1E223K	CHIP C 0.022UF K		

L:Scandinavia

K:USA

P:Canada

Y:PK(Far East, Hawaii)


T:England

E:Europe

W:AAFS(Europe)

X:Australia

M:Other Areas

 indicates safety critical components.

PARTS LIST

X: New Parts

Parts without Parts No. are not supplied.

Les articles sans numéros dans le Parts No. ne sont pas fournis.

Teil ohne Parts No. werden nicht geliefert.

DISPLAY UNIT (X54-312X-XX)

Ref. No. 参照番号	Address 位置	New Parts 新	Parts No. 部品番号	Description 部品名/規格	Desti- nation 仕向	Re- marks 備考
C8			CK73FB1H102K	CHIP C 1000PF K		
C9	10		CC73FSL1H101J	CHIP C 100PF J		
C11			CK73FB1E223K	CHIP C 0.022UF K		
C12			CK73FB1H102K	CHIP C 1000PF K		
C13			CK73FB1E103K	CHIP C 0.01UF K		
C14	15		CC73FCH1H330J	CHIP C 33PF J		
C16	17		CC73FCH1H150J	CHIP C 15PF J		
C18			CK73FB1H102K	CHIP C 1000PF K		
C19			CK73FB1C105Z	CHIP C 1.0UF Z		
C20			CK73FB1H102K	CHIP C 1000PF K		
C21			CK73FB1E103K	CHIP C 0.01UF K		
C22			CK73FB1H102K	CHIP C 1000PF K		
C23			CK73FB1E103K	CHIP C 0.01UF K		
C101-104			CK73FB1B103K	CHIP C 0.001UF K		
C201-204			CK73FB1E103K	CHIP C 0.01UF K		
C301-304			CK73FB1E103K	CHIP C 0.01UF K		
CX1		*	E29-0500-14 E37-3264-05 E40-3262-05	CONNECTOR FLAT CABLE PIN CONNECTOR (4P)		
			E20-1088-04	INSULATING BOARD(LITHIUM BATT)		
			J21-4359-25 J39-0439-05	MOUNTING HARDWARE(LOC) LAMP HOLDER		
X1			L77-1397-05	CRYSTAL RESONATOR(4.19MHZ)		
X2			L77-1256-05	CRYSTAL RESONATOR(32.768KHZ)		
			N14-0552-05 N80-2006-45	NUT(VOLUME) PAN HEAD TAPTITE SCREW		
R1		*	R92-1279-05	FIXED RESISTOR		
R2			RK73FB2A472J	CHIP R 4.7K J 1/10W		
R3			RK73FB2A473J	CHIP R 47K J 1/10W		
R4			RK73FB2A563J	CHIP R 56K J 1/10W		
R5			RK73FB2A105J	CHIP R 1.0M J 1/10W		
R6			RK73FB2A103J	CHIP R 10K J 1/10W		
R7			RK73FB2A331J	CHIP R 330 J 1/10W		
R8			R92-1211-05	SOLID R 5.6K J 1/2W		
R9			RK73FB2A222J	CHIP R 2.2K J 1/10W		
R10			RK73FB2A102J	CHIP R 1.0K J 1/10W		
R11			RK73FB2A472J	CHIP R 4.7K J 1/10W		
R12			RK73FB2A222J	CHIP R 2.2K J 1/10W		
R13			RK73FB2A272J	CHIP R 2.7K J 1/10W		
R14			RK73FB2A123J	CHIP R 12K J 1/10W		
R15	17		RK73FB2A100J	CHIP R 10 J 1/10W		
R18			RK73FB2A472J	CHIP R 4.7K J 1/10W		
R19			RK73FB2A103J	CHIP R 10K J 1/10W		
R20			RK73FB2A473J	CHIP R 47K J 1/10W		
R21			RK73FB2A334J	CHIP R 330K J 1/10W		
R22			RK73FB2A221J	CHIP R 220 J 1/10W		
R23			RK73FB2A391J	CHIP R 390 J 1/10W		
R24			RK73FB2A221J	CHIP R 220 J 1/10W		
R25			RK73FB2A331J	CHIP R 330 J 1/10W		
R26			RK73FB2A221J	CHIP R 220 J 1/10W		
R27			RK73FB2A391J	CHIP R 390 J 1/10W		

L:Scandinavia

K:USA

P:Canada

Y:PX(Far East, Hawaii)

T:England

E:Europe

Y:AAFTS(Europe)

X:Australia

M:Other Areas

 indicates safety critical components

PARTS LIST


*** New Parts**

Parts without Parts No. are not supplied.
 Les articles sans numéros dans le Parts No. ne sont pas fournis.
 Teile ohne Parts No. werden nicht geliefert.

DISPLAY UNIT (X54-312X-XX)

Ref. No.	Address	New Parts	Parts No.	Description	Desti-nation	Re-marks
参照番号	位 置	新	部 品 番 号	部 品 名 / 規 格	仕 向	備 考
R28			RK73FB2A221J	CHIP R 220 J 1/10W		
R29			RK73FB2A331J	CHIP R 330 J 1/10W		
R30			RK73FB2A221J	CHIP R 220 J 1/10W		
R31			RK73FB2A391J	CHIP R 390 J 1/10W		
R32			RK73FB2A221J	CHIP R 220 J 1/10W		
R35			RK73FB2A331J	CHIP R 330 J 1/10W		
R34 .35			RK73FB2A100J	CHIP R 10 J 1/10W		
R36			RK73FB2A100J	CHIP R 1.0M J 1/10W		
R37			RK73FB2A100J	CHIP R 100K J 1/10W		
R38 .39			RK73FB2A222J	CHIP R 2.2K J 1/10W		
R40			RK73FB2A223J	CHIP R 22K J 1/10W		
R41 .42			RK73FB2A100J	CHIP R 10 J 1/10W		
R43 -51			RK73FB2A473J	CHIP R 47K J 1/10W		
R52			RK73FB2A103J	CHIP R 10K J 1/10W		
R53			RK73FB2A333J	CHIP R 33K J 1/10W		
R54			R92-0670-05	CHIP R 0 OHM		KPME
R55			R92-0670-05	CHIP R 0 OHM		KPE
R56			R92-0670-05	CHIP R 0 OHM		KPME2
R57			R92-0670-05	CHIP R 0 OHM		
R58			RK73FB2A102J	CHIP R 1.0K J 1/10W		
R59 -61			RK73FB2A473J	CHIP R 47K J 1/10W		
R62			RK73FB2A473J	CHIP R 47K J 1/10W		MM2B
R63 -65			RK73FB2A473J	CHIP R 47K J 1/10W		
R66 -71			RK73FB2A151J	CHIP R 150 J 1/10W		
R72			RK73FB2A473J	CHIP R 47K J 1/10W		KP
VR101			R23-9407-05	POTENTIOMETER		
VR201			R23-9407-05	POTENTIOMETER		
VR301			R23-9407-05	POTENTIOMETER		
S1		*	S70-0408-06	TACT SWITCH		
S2		*	S62-0412-05	SLIDE SWITCH		
S3 -12		*	S70-0408-06	TACT SWITCH		
S13 -15		*	S70-0409-05	TACT SWITCH		
S16		*	S70-0408-06	TACT SWITCH		
S17	2K		W02-0388-05	ENCODER		
D1 .2			1SS184	DIODE		
D3			02C27.5(X,Y)	DIODE		
D4 -9			B3C-2109-05	LED(RED)		
D10			LFB01	DIODE		
IC1		*	7551605-270-3B9	IC(CPU)		
IC2 .3		*	MSM5265GS-V1K	IC(LCD DRIVER)		
IC4			TA78L06F	IC(5V AVR)		
IC5 .6			IC4511P	IC(INVERTER)		
IC7			S-8054AL8-LN	IC(RESET)		
Q1			2SC2712(Y)	TRANSISTOR		
Q2			2SA1162(Y)	TRANSISTOR		
Q3			2SC2712(Y)	TRANSISTOR		
Q4			2SA1307(Y)	TRANSISTOR		
Q5			2SA1162(Y)	TRANSISTOR		
Q6			2SC2712(Y)	TRANSISTOR		
Q7			2SD1624(S,T)	TRANSISTOR		
Q8			DTA114EK	DIGITAL TRANSISTOR		
BA1			W05-0394-05	LITHIUM BATTERY		

L:Scandinavia K:USA P:Canada
 Y:PX(Far East, Hawaii) T:England E:Europe
 Y:AAFES(Europe) X:Australia M:Other Areas

 indicates safety critical components

PARTS LIST

New Parts

Parts without Parts No. are not supplied.

Les articles non mentionnés dans le Parts No. ne sont pas fournis.

Teile ohne Parts No. werden nicht geliefert.

144M TX-RX UNIT (X57-3580-12)

Ref. No.	Address	New Parts	Parts No.	Description	Desti- nation	Re- marks
参照番号	位置	新	部品番号	部品名 / 規格	仕向	備考
144M TX-RX UNIT (X57-3580-12)						
			A10-1316-01	CHASSIS		
			B42-2437-04	LABEL(S/N#)		
05			CC73PCH1H040C	CHIP C	4PF	C
06			CK73FB1H102K	CHIP C	1000PF	K
07	-9		CK73FB1H102K	CHIP C	1000PF	K
010			CK73FB1E103K	CHIP C	0.01UF	K
011			CC73FCH1H0R5C	CHIP C	0.5PF	C
012			CC73PCH1H151J	CHIP C	150PF	J
013			CC73FCH1H0J0C	CHIP C	3PF	C
014			CC73PCH1H0R5C	CHIP C	0.5PF	C
015			CC73FCH1H150J	CHIP C	15PF	J
016			CC73PCH1H020C	CHIP C	2.0PF	C
018			CK73FB1H102K	CHIP C	1000PF	K
019			CC73FCH1H0600	CHIP C	6PF	D
020			CK73FB1H102K	CHIP C	1000PF	K
021			CC73FCH1H090C	CHIP C	9PF	C
022			CK73FB1E103K	CHIP C	0.01UF	K
023			CK73FB1H102K	CHIP C	1000PF	K
024			CK73FB1E103K	CHIP C	0.01UF	K
026			CK73FB1H102K	CHIP C	1000PF	K
029			CK73FB1E103K	CHIP C	0.01UF	K
030			CC73PCH1H390J	CHIP C	39PF	J
031			CC73PCH1H101J	CHIP C	10PF	J
032			CK73FB1H102K	CHIP C	1000PF	K
033			CK73FB1E104K	CHIP C	0.10UF	K
034	.36		CK73EF1C105Z	CHIP C	1.0UF	Z
036	.37		CK73FB1E103K	CHIP C	0.01UF	K
039			CC73PCH1H010C	CHIP C	1.0PF	C
044	.45		CE04NW1C470M	ELECTRO	47UF	16WV
046			C92-0504-05	CHIP TAN	0.58UF	20WV
047			CE04NW1C470M	ELECTRO	47UF	16WV
048			C92-0003-05	CHIP TAN	0.47UF	25WV
049			CE04NW1E100M	ELECTRO	10UF	25WV
050			CE04NW1C470M	ELECTRO	47UF	16WV
051	.52		CK73FB1E103K	CHIP C	0.01UF	K
053	.54		CK73FB1H102K	CHIP C	1000PF	K
055			CK73EF1C105Z	CHIP C	1.0UF	Z
056			CC73PUJ1H150J	CHIP C	15PF	J
057			CK73FB1H102K	CHIP C	1000PF	K
058			CC73PUJ1H220J	CHIP C	22PF	J
059	.60		CK73FB1H102K	CHIP C	1000PF	K
061			CE04NW1C470M	ELECTRO	47UF	16WV
062			CK73FB1H102K	CHIP C	1000PF	K
063			CK73FB1E103K	CHIP C	0.01UF	K
064			CE04NW1E100M	ELECTRO	10UF	25WV
065		*	CE04NW1A330M	ELECTRO	33UF	10WV
066			CK73FB1E103K	CHIP C	0.01UF	K
067			CK73FB1H102K	CHIP C	1000PF	K
068			CC73PCH1H100D	CHIP C	10PF	D
069			CC73FCH1H100D	CHIP C	10PF	D
070			CK73FB1E103K	CHIP C	0.01UF	K
071	-73		CK73FB1H102K	CHIP C	1000PF	K

L:Scandinavia

K:USA

P:Canada

Y:PK(Far East, Hawaii)

T:England

E:Europe

Y:AFES(Europe)

X:Australia

M:Other Areas

△ indicates safety critical components

PARTS LIST

△ New Parts

Parts without Parts No. are not supplied.

Les pièces non mentionnées dans le Parts No. ne sont pas fournies.

Teile ohne Parts No. werden nicht geliefert.

144M TX-RX UNIT (X57-3680-12)

Ref. No. 参照番号	Address 位置	New Parts 新	Parts No. 部品番号	Description 部品名/規格	Distri- bution 仕向	Re- marks 備考
C74			CK73FB1H223K	CHIP C 0.022UF K		
C75			CE04NW1C101M	ELECTRO 100UF 16WV		
C76			CK73FB1C105Z	CHIP C 1.0UF C		
C77, 78			CK73FB1H102K	CHIP C 1000PF K		
C79			CK73FB1C105Z	CHIP C 1.0UF C		
C80			CC73FCH1H050C	CHIP C 5PF C		
C81			CC45SL2H120J	CERAMIC 12PF J		
C82			CK73FB1H102K	CHIP C 1000PF K		
C83			CC45SL2H102K	CERAMIC 1000PF K		
C84			CM73F2H330J	CHIP C 33PF J		
C85			CC73FCH1H220J	CHIP C 22PF J		
C86			CC73FCH1H050C	CHIP C 0.5PF C		
C87			CC73FCH1H020C	CHIP C 2.0PF C		
C88			CC45SL2H560J	CERAMIC 56PF J		
C89			CC45SL2R470C	CERAMIC 47PF J		
C90 -92			CK73FB1H102K	CHIP C 1000PF K		
C93			CC73FCH1H050C	CHIP C 0.5PF C		
C94			CM73F2H330C	CHIP C 30PF C		
C95			CC73FCH1H020C	CHIP C 2.0PF C		
C96			CK73FB1E103K	CHIP C 0.01UF K		
C98			CK73FB1H102K	CHIP C 1000PF K		
C99			CE04NW1E100M	ELECTRO 10UF 25WV		
C100			CK73FB1H102K	CHIP C 1000PF K		
C101			CE04NW1E100M	ELECTRO 10UF 25WV		
C103			CK73FB1H102K	CHIP C 1000PF K		
C104			CK73FB1E103K	CHIP C 0.01UF K		
C105			CK73FB1H223K	CHIP C 0.022UF K		
C110			CC73FCH1H030C	CHIP C 3PF C		
C111			CK73FB1E103K	CHIP C 0.01UF K		
C112			CE04NW1A221M	ELECTRO 220UF 10WV		
C113			CC73FCH1H100D	CHIP C 10PF D		
C114, 115			CC73FSL1H101J	CHIP C 100PF J		
C116			CC73FCH1H080D	CHIP C 8PF D		
C119			CE04NW1E100M	ELECTRO 10UF 25WV		
C120-127			CC73FSL1H101J	CHIP C 100PF J		
C128, 129			CK73FB1H102K	CHIP C 1000PF K		
C130			CE04EW1C102M	ELECTRO 1000UF 16WV		
TC:			C05-0345-09	TRIMMING CAP 10PF		
CN: 1, 2			E22-0672-04	TERMINAL BOARD(-)		
			E22-0673-04	TERMINAL BOARD(+)		
			E30-2145-05	ANT. CABLE		
			E30-3007-05	DC POWER CORD		
			E40-5461-05	PIN CONNECTOR		
J1			E11-0442-05	PHONE JACK		
J3			E23-0619-05	TERMINAL		
			F05-1531-05	FUSE		
			F10-1446-04	SHIELDING PLATE		
			F10-2010-03	SHIELDING COVER		
			F10-2012-04	SHIELDING CASE(VCS-PLL)		
			F20-1008-04	INSULATION SHEET(APC)		
			F51-0017-05	FUSE(15A)		
			G02-0600-14	FLAT SPRING(THERMAL SW)		
			G02-0705-04	PLAT SPRING		

L:Scandinavia

K:USA

P:Canada

Y:PK(For East, Hawaii)

T:England

E:Europe

Y:AFCS(Europe)

X:Australia

M:Other Areas

△ indicates safety critical components.

PARTS LIST

* New Parts

Parts without Parts No. are not supplied

For articles not mentioned in this Parts No. is not used for this.

For other Parts No. which might be referred

144M TX-RX UNIT (X57-3580-12)

Ref. No.	Address	New Parts	Parts No.	Description	Destination	Remarks
参照番号	位置	新	部品番号	部品名 / 規格	仕向	備考
			G02-0715-04	LEAF SPRING(APC TR)		
			G02-0719-04	PLAT SPRING(VCO)		
			G09-0426-05	SPRING(DC CORE)		
			G11-0654-04	CUSHION(VCO)		
			G11-0655-04	CUSHION(CN1, CN2)		
			G11-0660-04	CUSHION(VCS)		
			G11-0661-04	INSULATION SHEET(APC TR)		
			G13-0841-04	FORMED PLATE(XTAL)		
			G13-1325-04	FORMED PLATE(VCS)		
			G15-1537-04	CUSHION(VCO)		
			G15-1549-04	CUSHION(VCO)		
			G53-0508-04	NON-WOVEN FABRIC		
			J30-0564-05	SPACER		
CD1			L79-1013-05	FILTER		
CP1			L72-0372-05	CERAMIC FILTER(OPWMA55F)		
L1	-4		L34-4252-05	COIL		
L5			L40-1682-19	SMALL FIXED INDUCTOR(0.15UH)		
L6			L34-4251-05	COIL(1ST IF)		
L8			L34-1185-05	COIL(2.5T)		
L10			L40-3362-19	SMALL FIXED INDUCTOR(0.35UH)		
L11			L34-1039-05	COIL(10.5T)		
L12			L34-0895-05	COIL(6T)		
L13			L34-0742-05	COIL(6T)		
L14			L34-0908-05	COIL(9.5T)		
L15	-17		L34-0499-05	COIL(4.5T)		
L19			L40-8272-48	SMALL FIXED INDUCTOR(82NH)		
L20			L40-1001-19	SMALL FIXED INDUCTOR(10UH)		
X1			L77-1405-05	CRYSTAL RESONATOR(12.8MHZ)		
X2			L77-1473-05	CRYSTAL RESONATOR(10.245MHZ)		
XP1			L71-0228-05	CRYSTAL FILTER(10.7MEZ)		
			N09-2077-05	SCREW(MODULE)		
			N87-2606-46	BRAZIER HEAD TAPTITE SCREW(ANT)		
			N88-2606-46	FLAT HEAD TAPTITE SCREW		
R4			RK73FB2A103J	CHIP R 10K J 1/10W		
R5			RK73FB2A533J	CHIP R 33K J 1/10W		
R6			RK73FB2A274J	CHIP R 270K J 1/10W		
R7			RK73FB2A101J	CHIP R 100 J 1/10W		
R8			RK73FB2A103J	CHIP R 10K J 1/10W		
R9			RK73FB2A101J	CHIP R 100 J 1/10W		
R10	-12		RK73FB2A103J	CHIP R 10K J 1/10W		
R13			RK73FB2A473J	CHIP R 47K J 1/10W		
R14			RK73FB2A104J	CHIP R 100K J 1/10W		
R15			RK73FB2A683J	CHIP R 68K J 1/10W		
R16			RK73FB2A823J	CHIP R 82K J 1/10W		
R17			R92-0670-05	CHIP R 0 OHM		
R18			RK73FB2A470J	CHIP R 47 J 1/10W		
R19			RK73FB2A102J	CHIP R 100K J 1/10W		
R20			RK73FB2A152J	CHIP R 1.5K J 1/10W		
R21			RK73FB2A471J	CHIP R 470 J 1/10W		
R22			RK73FB2A101J	CHIP R 100 J 1/10W		
R23			RK73FB2A103J	CHIP R 10K J 1/10W		
R24			RK73FB2A473J	CHIP R 47K J 1/10W		
R25			RK73FB2A103J	CHIP R 10K J 1/10W		

L:Scandinavia

K:USA

P:Canada

Y:FX(Far East, Hawaii)


T:England

E:Europe

Y:AFES(Europe)

X:Australia

M:Other Areas

 indicates safety critical components.

PARTS LIST

* New Parts

Parts without Parts No. are not supplied.

Resistors with mounting codes and a Parts No. do not exist.

Resistors with Parts No. without mounting codes.

144M TX-RX UNIT (X67-3580-12)

Ref. No. 参照番号	Address 位置	New Parts 表	Parts No. 部品番号	Description 部品名 / 規格	Desti- nation 仕向	Re- marks 備考
R30			R92-0670-05	CHIP R 0 3HM		
R31			RK73FB2A394J	CHIP R 390K J 1/10W		
R33	.34		R92-0670-05	CHIP R 0 3HM		
R35			RK73FB2A222J	CHIP R 2.2K J 1/10W		
R36			RK73FB2A101J	CHIP R 100 J 1/10W		
R37			R92-0670-05	CHIP R 0 3HM		
R38			RK73FB2A182J	CHIP R 1.8K J 1/10W		
R39	-41		RK73FB2A103J	CHIP R 10K J 1/10W		
R42			RK73FB2A182J	CHIP R 1.8K J 1/10W		
R43			RK73FB2A223J	CHIP R 22K J 1/10W		
R44			RK73FB2A273J	CHIP R 27K J 1/10W		
R45			RK73FB2A473J	CHIP R 47K J 1/10W		
R46			RK73FB2A472J	CHIP R 4.7K J 1/10W		
R47			R92-0670-05	CHIP R 0 3HM		
R49			RK73FB2A223J	CHIP R 22K J 1/10W		
R50			RK73FB2A124J	CHIP R 120K J 1/10W		
R52	-54		RK73FB2A473J	CHIP R 47K J 1/10W		
R55			RK73FB2A471J	CHIP R 470 J 1/10W		
R56			RK73FB2A104J	CHIP R 100K J 1/10W		
R57			RK73FB2A105J	CHIP R 1.0M J 1/10W		
R58			RK73FB2A473J	CHIP R 47K J 1/10W		
R59			R92-0670-05	CHIP R 0 3HM		
R60			RK73FB2A103J	CHIP R 10K J 1/10W		
R61			RK73FB2A471J	CHIP R 470 J 1/10W		
R62			R92-0670-05	CHIP R 0 3HM		
R63	.64		RK73FB2A222J	CHIP R 2.2K J 1/10W		
R65	.66		R92-0670-05	CHIP R 0 3HM		
R67			RK73FB2A122J	CHIP R 1.2K J 1/10W		
R68			RK73FB2A220J	CHIP R 22 J 1/10W		
R69			RK73FB2A470J	CHIP R 47 J 1/10W		
R71			R92-0670-05	CHIP R 0 3HM		
R73			RK73FB2A104J	CHIP R 100K J 1/10W		
R74			R92-0670-05	CHIP R 0 3HM		
R75			RK73FB2A103J	CHIP R 10K J 1/10W		
R76			R92-0670-05	CHIP R 0 3HM		
R78			R92-1213-05	CARBON 100 J 1/2W		
R79	.80		RK73FB2A223J	CHIP R 22K J 1/10W		
R81			RK73FB2A471J	CHIP R 470 J 1/10W		
R82			R92-0685-05	CHIP R 22 J 1/2W		
R83			R92-0670-05	CHIP R 0 3HM		
R84	-86		R92-0670-05	CHIP R 0 3HM		
R89			RK73FB2A332J	CHIP R 3.3K J 1/10W		
R90			RK73FB2A221J	CHIP R 220 J 1/10W		
R91			RK73FB2A473J	CHIP R 47K J 1/10W		
R92			R92-0679-05	CHIP R 0 3HM		
R93			RK73FB2A104J	CHIP R 100K J 1/10W		
R98	.99		RK73FB2A103J	CHIP R 10K J 1/10W		
R101			RK73FB2A102J	CHIP R 1K J 1/10W		
VR1			R12-6429-05	TRIM POT. 100K		
VR2			R12-6427-05	TRIM POT. 47K		
VR3			R12-6423-05	TRIM POT. 10K		
VR4			R12-6423-05	TRIM POT. 10K		
TS1			S79-0401-05	THERMAL SWITCH(95°C)		

L:Scandinavia

K:USA

P:Canada

Y:PX(Far East, Hawaii)

T:England

E:Europe

Y:AFES(Europe)

X:Australia

M:Other Areas

△ indicates safety critical components.

PARTS LIST

* New Parts

Parts without Parts No. are not supplied

Key symbols are mentioned from 10 Parts No. onwards. Ex: A, B, C, D, E, F, G, H, I, J, K, L, M, N, O, P, Q, R, S, T, U, V, W, X, Y, Z, AA, AB, AC, AD, AE, AF, AG, AH, AI, AJ, AK, AL, AM, AN, AO, AP, AQ, AR, AS, AT, AU, AV, AW, AX, AY, AZ, BA, BB, BC, BD, BE, BF, BG, BH, BI, BJ, BK, BL, BM, BN, BO, BP, BQ, BR, BS, BT, BU, BV, BW, BX, BY, BZ, CA, CB, CC, CD, CE, CF, CG, CH, CI, CJ, CK, CL, CM, CN, CO, CP, CQ, CR, CS, CT, CU, CV, CW, CX, CY, CZ, DA, DB, DC, DD, DE, DF, DG, DH, DI, DJ, DK, DL, DM, DN, DO, DP, DQ, DR, DS, DT, DU, DV, DW, DX, DY, DZ, EA, EB, EC, ED, EE, EF, EG, EH, EI, EJ, EK, EL, EM, EN, EO, EP, EQ, ER, ES, ET, EU, EV, EW, EX, EY, EZ, FA, FB, FC, FD, FE, FF, FG, FH, FI, FJ, FK, FL, FM, FN, FO, FP, FQ, FR, FS, FT, FU, FV, FW, FX, FY, FZ, GA, GB, GC, GD, GE, GF, GG, GH, GI, GJ, GK, GL, GM, GN, GO, GP, GQ, GR, GS, GT, GU, GV, GW, GX, GY, GZ, HA, HB, HC, HD, HE, HF, HG, HH, HI, HJ, HK, HL, HM, HN, HO, HP, HQ, HR, HS, HT, HU, HV, HW, HX, HY, HZ, IA, IB, IC, ID, IE, IF, IG, IH, II, IJ, IK, IL, IM, IN, IO, IP, IQ, IR, IS, IT, IU, IV, IW, IX, IY, IZ, JA, JB, JC, JD, JE, JF, JG, JH, JI, JJ, JK, JL, JM, JN, JO, JP, JQ, JR, JS, JT, JU, JV, JW, JX, JY, JZ, KA, KB, KC, KD, KE, KF, KG, KH, KI, KJ, KK, KL, KM, KN, KO, KP, KQ, KR, KS, KT, KU, KV, KW, KX, KY, KZ, LA, LB, LC, LD, LE, LF, LG, LH, LI, LJ, LK, LL, LM, LN, LO, LP, LQ, LR, LS, LT, LU, LV, LW, LX, LY, LZ, MA, MB, MC, MD, ME, MF, MG, MH, MI, MJ, MK, ML, MM, MN, MO, MP, MQ, MR, MS, MT, MU, MV, MW, MX, MY, MZ, NA, NB, NC, ND, NE, NF, NG, NH, NI, NJ, NK, NL, NM, NN, NO, NP, NQ, NR, NS, NT, NU, NV, NW, NX, NY, NZ, OA, OB, OC, OD, OE, OF, OG, OH, OI, OJ, OK, OL, OM, ON, OO, OP, OQ, OR, OS, OT, OU, OV, OW, OX, OY, OZ, PA, PB, PC, PD, PE, PF, PG, PH, PI, PJ, PK, PL, PM, PN, PO, PP, PQ, PR, PS, PT, PU, PV, PW, PX, PY, PZ, QA, QB, QC, QD, QE, QF, QG, QH, QI, QJ, QK, QL, QM, QN, QO, QP, QQ, QR, QS, QT, QU, QV, QW, QX, QY, QZ, RA, RB, RC, RD, RE, RF, RG, RH, RI, RJ, RK, RL, RM, RN, RO, RP, RQ, RR, RS, RT, RU, RV, RW, RX, RY, RZ, SA, SB, SC, SD, SE, SF, SG, SH, SI, SJ, SK, SL, SM, SN, SO, SP, SQ, SR, SS, ST, SU, SV, SW, SX, SY, SZ, TA, TB, TC, TD, TE, TF, TG, TH, TI, TJ, TK, TL, TM, TN, TO, TP, TQ, TR, TS, TT, TU, TV, TW, TX, TY, TZ, UA, UB, UC, UD, UE, UF, UG, UH, UI, UJ, UK, UL, UM, UN, UO, UP, UQ, UR, US, UT, UY, UZ, VA, VB, VC, VD, VE, VF, VG, VH, VI, VJ, VK, VL, VM, VN, VO, VP, VQ, VR, VS, VT, VU, VV, VW, VX, VY, VZ, WA, WB, WC, WD, WE, WF, WG, WH, WI, WJ, WK, WL, WM, WN, WO, WP, WQ, WR, WS, WT, WU, WV, WW, WX, WY, WZ, XA, XB, XC, XD, XE, XF, XG, XH, XI, XJ, XK, XL, XM, XN, XO, XP, XQ, XR, XS, XT, XU, XV, XW, XX, XY, XZ, YA, YB, YC, YD, YE, YF, YG, YH, YI, YJ, YK, YL, YM, YN, YO, YP, YQ, YR, YS, YT, YU, YV, YW, YX, YZ, ZA, ZB, ZC, ZD, ZE, ZF, ZG, ZH, ZI, ZJ, ZK, ZL, ZM, ZN, ZO, ZP, ZQ, ZR, ZS, ZT, ZU, ZV, ZW, ZX, ZY, ZZ

Telephone Parts No. without "100" is not supplied.

144M TX-RX UNIT (X57-3580-12)
430/440M TX-RX UNIT (X57-359X-XX)

Ref. No. 参照番号	Address 位置	New Parts	Parts No. 部品番号	Description 部品名 / 規格	Desti- nation 仕向	Re- marks 備考
D1			1SV164	DIODE		
D2			1SV166	DIODE		
D3	A		1SV164	DIODE		
D5			1SV166	DIODE		
D6			1SV164	DIODE		
D7			1SV166	DIODE		
D11			1SS184	DIODE		
D12			1SS184	DIODE		
D13			DAN235(K)	DIODE		
D14			1SS184	DIODE		
D18			M1407	DIODE		
D16			M1509	DIODE		
D17	, 16		1SS224	DIODE		
D19			DSA3A1	DIODE		
D21			BU4094BF	IC		
IC2			LA5010M	IC (LOW SATURATION REGULATOR)		
IC5			KCD04	IC (FM IF)		
IC6			KCD05	IC (AM IF)		
IC7			KCAC4	IC (MIC AMP)		
IC8			KCB11	IC (DRIVE)		
IC9			KCG04	IC (APC)		
IC10			S-AV17	IC (POWER MODULE FOR 144MHZ)		
IC11			KCH05	IC (144 PLL-VC9)		
Q1			3SK184(S)	FET		
Q2			3SK131(W12)	FET		
Q3			2SC2714(Y)	TRANSISTOR		
Q4			DTA114YK	DIGITAL TRANSISTOR		
Q5	, 6		DTC123JK	DIGITAL TRANSISTOR		
Q7			DTC143BK	DIGITAL TRANSISTOR		
Q10			2SA1362(Y)	TRANSISTOR		
Q11			2SB1119S	TRANSISTOR		
Q12			DTC144WK	DIGITAL TRANSISTOR		
Q13	, 14		2SC2712(Y)	TRANSISTOR		
Q15	, 17		DTC144BK	DIGITAL TRANSISTOR		
Q18			2SD1757K	TRANSISTOR		
Q19			2SK208(Y)	FET		
Q20			2SC2714(Y)	TRANSISTOR		
Q21			2SC2712(Y)	TRANSISTOR		
Q22			PMC1	TRANSISTOR		
Q23			2SD1902R	TRANSISTOR		
Q24			2SJ106(GR)	FET		
430/440M TX-RX UNIT (X57-359X-XX) 0-12:K, P 0-22:M, M2 2-72:E						
			A10-1316-01	CHASSIS		
			B42-2437-04	LABEL (S/V NO)		
C1			CC73FCH1H030C	CHIP C 3PF C		
C2	-4		CK73FB1F102K	CHIP C 1000PF K		
C5			CC73FCH1H135C	CHIP C 1.5PF C		
C6			CC73FCH1H390J	CHIP C 39PF J		
C7			CK73FB1H102K	CHIP C 1000PF K		
C8			CK73FB1H102K	CHIP C 1000PF K		
C9			CC73FCH1H030C	CHIP C 3.0PF C		
C9			CC73FCH1H010C	CHIP C 1.0PF C		XP
C10			CC73FCH1H390J	CHIP C 39PF J		BYM2

L:Scandinavia

K:USA

P:Canada

Y:PX (Far East, Hawaii)

T:England

E:Europe

W:WAFES (Europe)

X:Australia

M:Other Areas

A indicates safety critical components.

PARTS LIST

* New Parts

Parts without Parts No. are not supplied.

* Les entités non mentionnées dans le Parts No. ne sont pas fournies.

Teile ohne Parts No. werden nicht geliefert.

430/440M TX-RX UNIT (X57-359X-XX)

Ref. No. 参照番号	Address 位置	New Parts 新	Parts No. 部品番号	Description 部品名/規格	Desti- nation 仕向	Re- marks 備考
C11			CK73FB1H102K	CHIP C 1000PF K		
C12			CK73FB1H102K	CHIP C 1000PF K		
C13 ,14			CK73FB1H102K	CHIP C 1000PF K		
C15			CC73FCH1H050C	CHIP C 5PF C		
C16 ,17			CK73FB1H102K	CHIP C 1000PF K		
C18			CC73FCH1H066D	CHIP C 6PF D		
C19 ,20			CK73FB1H102K	CHIP C 1000PF K		
C21			CC73FCH1H560J	CHIP C 56PF J		KP
C21 ,22			CC73FCH1H330J	CHIP C 33PF C		EMM2
C22			CC73FCH1H100J	CHIP C 10PF J		KP
C23			CK73FB1H102K	CHIP C 1000PF K		
C24			CE04NW1C470M	ELECTRO 47UF 16WV		
C25			CK73FB1H102K	CHIP C 1000PF K		
C26			CK73FF1C105Z	CHIP C 1.0UF Z		
C27			C92-0003-05	CHIP TAN 0.47UF 25WV		
C28 ,29			CK73FF1C105Z	CHIP C 1.0UF Z		
C30			CK73FB1H102K	CHIP C 1000PF K		
C31			CK73FB1H102K	CHIP C 1000PF K		
C32			CE04NW1C470M	ELECTRO 47UF 16WV		
C33			C92-0504-05	CHIP TAN 0.68UF 20WV		
C34			CE04NW1C470M	ELECTRO 47UF 16WV		
C35			CK73FB1H102K	CHIP C 1000PF K		
C36			CE04NW1C470M	ELECTRO 47UF 16WV		
C37			CK73FB1H102K	CHIP C 1000PF K		
C38			CK73FB1H822K	CHIP C 8200PF K		
C39			CK73FB1H102K	CHIP C 1000PF K		
C40			CK73FF1C105Z	CHIP C 1.0UF Z		
C41 ,42			CC73FUJ1H180J	CHIP C 18PF J		
C43			CK73FB1H102K	CHIP C 1000PF K		
C44			CC73FCH1H060D	CHIP C 6PF D		
C45			CK73FB1H102K	CHIP C 1000PF K		
C46			CC73FCH1H150J	CHIP C 15PF C		
C47			CK73FB1H102K	CHIP C 1000PF K		
C48			CE04NW1C101M	ELECTRO 100UF 16WV		
C49			CK73FB1H102K	CHIP C 1000PF K		
C50			CE04NW1A330M	ELECTRO 33UF 10WV		
C51 ,52			CK73FB1H102K	CHIP C 1000PF K		
C53			CE04NW1C101M	ELECTRO 100UF 16WV		
C54 ,58			CK73FB1H102K	CHIP C 1000PF K		
C60			CE04NW1C220M	ELECTRO 22UF 16WV		
C62			CK73FB1H102K	CHIP C 1000PF K		
C64 ,65			CK73FB1H102K	CHIP C 1000PF K		
C66			CM73F2H050D	CHIP C 5.0PF D		KP
C66			CM73F2H060D	CHIP C 6.0PF D		EMM2
C67			CC73FCH1H070C	CHIP C 7PF D		
C68			CC45SL2H150J	CERAMIC 15PF J		
C69			CC45SL2H220J	CERAMIC 22PF J		
C70			CC45SL2H220J	CERAMIC 22PF J		
C71			CC73FCH1H050C	CHIP C 0.5PF C		
C72			CC73FCH1H020C	CHIP C 2.0PF C		
C73			CC45SL2H050D	CERAMIC 0.0PF D		
C74			CC45SL2H100C	CERAMIC 10PF D		
C75			CC73FCH1H050C	CHIP C 0.5PF C		
C76			CC73FCH1H020C	CHIP C 2.0PF C		
C77			CM73F2H050D	CHIP C 5.0PF D		

L:Scandinavia

K:USA

P:Canada

M:PX(Far East, Hawaii)

T:England

E:Europe

Y:NAFES(Europe)

X:Australia

M:Other Areas

△ indicates safety critical components

PARTS LIST

* New Parts

Parts without Parts No. are not supplied.

Les articles non mentionnés dans le Parts No. ne sont pas fournis

Teile ohne Parts No. werden nicht geliefert

430/440M TX-RX UNIT (X57-359X-XX)

Ref. No. 参照番号	Address 位置	New Parts 新	Parts No. 部品番号	Description 部品名 / 規格	Desti- nation 仕向	Re- marks 備考
C78 -80			CK73FB1H102K	CHIP C 1000PF K		
C81			C90-2092-05	ELECTRO 1800UF 16WV		
C82 -85			CC73FSL1H101J	CHIP C 100PF J		
C86			CK73FB1H102K	CHIP C 1000PF K		
C87			CK73FB1H333K	CHIP C 0.033UF K		
C88			CE04NW1A221M	ELECTRO 220UF 10WV		
C89 -91			CK73FB1H102K	CHIP C 1000PF K		
C92			CK73FB1H471K	CHIP C 470PF K		
C93			CE04NW1C470M	ELECTRO 47UF 16WV		
C94			CC73FCH1H030C	CHIP C 3PF C		
C96			CK73FB1H102K	CHIP C 1000PF K		
C97			CK73FB1E104K	CHIP C 0.10UF K		
C98			CC73FCH1H040C	CHIP C 4PF C		
C99			CC73FCH1H020C	CHIP C 2.0PF C		
C100			CC73FCH1H070D	CHIP C 7PF D		
C102			CE04NW1C100M	ELECTRO 10UF 16WV		
C103,104			CK73FB1H102K	CHIP C 1000PF K		
C105-110			CC73FSL1H101J	CHIP C 100PF J		
C111			CK73FB1H103K	CHIP C 0.010UF K		
C112			CK73FB1H102K	CHIP C 1000PF K		
C113			CC73FCH1H020C	CHIP C 2.0PF C		
C114			CK73FB1E223K	CHIP C 0.022UF K		
C115			CK73FB1H102K	CHIP C 1000PF K		
C118			CC73FCH1H150J	CHIP C 15PF J		
TC1 ,2			C05-0346-05	TRIM CAP 6PF		
TC3			C05-0371-05	TRIM CAP 10PF		
			E22-0672-04	TERMINAL BOARD(-)		
			E22-0673-04	TERMINAL BOARD(+)		
			E30-3009-05	ANT CABLE		
			E30-3010-05	ANT CABLE		
CN1 ,2			E40-8461-05	PIN ASSY(12P)		KPM2 E
J1			E11-0442-05	PHONE JACK		
TP1			E04-0154-05	RF COAXIAL CABLE RECEPTACLE		
			F10-1444-03	SHIELDING PLATE		
			F10-1446-04	SHIELDING PLATE		
			F10-1477-24	SHIELDING PLATE		
			F10-2012-04	SHIELDING CASE(VCG-PLL)		
			G02-0599-04	FLAT SPRING(DB TR)		
			G02-0600-14	FLAT SPRING(THERMAL SW)		
			G02-0704-04	EARTH SPRING		
			G02-0705-04	EARTH SPRING		
			G09-0426-05	SPRING(DC CORD)		
			G11-0655-04	CUSHION(CN1,CN2)		
			G11-0656-14	CONDUCTIVE RUBBER(MCF)		
			G11-0660-04	CUSHION(VCG)		
			G11-0661-04	INSULATION SHEET(DB TR)		
			G13-0841-04	CUSHION(12.8MHZ XTAL)		
			G13-1319-04	CUSHION(VCG)		
			G13-1351-04	CUSHION(CN1,CN2)		
			G53-0508-04	CUSHION		
			J42-0471-04	DC CORD BUSHING		
CD1			L79-1013-05	FILTER		

L:Scandinavia

K:USA

P:Canada

Y:PX(Har East, Hawaii)

T:England

E:Europe

Y:AAFES(Europe)

X:Australia

M:Other Areas

⚠ indicates safety critical components.

PARTS LIST

△ New Parts

Parts without Parts No. are not supplied.

Les parties non mentionnées dans le Parts No. ne sont pas fournies.

Teil ohne Parts No. werden nicht geliefert.

430/440M TX-RX UNIT (X57-359X-XX)

Ref. No. 参照番号	Address 位置	New Parts 新	Parts No. 部品番号	Description 部品名 / 规格	Desti- nation 仕向	Re- marks 備考
CF1			L72-0372-05	CERAMIC FILTER(C6FM455F)		
L1			L40-1872-80	SMALL FIXED INDUCTOR(18NH)		
L2			L40-1572-48	SMALL FIXED INDUCTOR(15NH)		
L3			L79-1016-05	HERICAL BLOCK		
L4			L79-1017-05	HERICAL BLOCK	EMX2	
L4			L79-1016-05	HERICAL BLOCK	KP	
L5			L40-2772-48	SMALL FIXED INDUCTOR(27NH)	KP	
L5			L40-3372-48	SMALL FIXED INDUCTOR(33NH)	EMX2	
L6			L40-2272-48	SMALL FIXED INDUCTOR(22NH)		
L7			L34-4250-05	COIL		
L8			L40-2272-48	SMALL FIXED INDUCTOR(22NH)		
L9			L34-1238-05	COIL(9.5T)		
L10			L34-1185-05	COIL(2.5T)		
L11			L34-1032-05	COIL(3.5T)		
L12			L34-1226-05	COIL(1.5T)		
L13			L34-1238-05	COIL(9.5T)		
L14			L34-1226-05	COIL(1.5T)		
L15			L40-1672-48	SMALL FIXED INDUCTOR(18NH)		
L16			L40-1001-19	SMALL FIXED INDUCTOR(10UH)		
X1			L77-1445-05	CRYSTAL RESONATOR(21.145MHZ)		
X2			L77-1405-05	CRYSTAL RESONATOR(12.8MHZ)		
XF1			L71-0413-05	MCP(21.6MHZ)		
			N09-2077-05	SCREW(MODULE)		
			N87-2606-46	BRAZIER HEAD TAPTITE SCREW		
			N88-2606-46	FLAT HEAD TAPTITE SCREW		
R2			RK73FB2A104J	CHIP R 100K J 1/10W		
R3			RK73FB2A333J	CHIP R 33K J 1/10W		
R4	.5		RK73FB2A101J	CHIP R 100 J 1/10W		
R6			RK73FB2A470J	CHIP R 47 J 1/10W		
R7			RK73FB2A220J	CHIP R 22 J 1/10W		
R8			RK73FB2A471J	CHIP R 470 J 1/10W		
R10			RK73FB2A223J	CHIP R 22K J 1/10W		
R11			RK73FB2A102J	CHIP R 1.0K J 1/10W		
R14	.15		RK73FB2A102J	CHIP R 1.0K J 1/10W		
R16			RK73FB2A221J	CHIP R 220 J 1/10W		
R18			RK73FB2A222J	CHIP R 2.2K J 1/10W		
R19			RK73FB2A470J	CHIP R 47 J 1/10W		
R20			R92-0670-05	CHIP R 0 OHM		
R21			RK73FB2A122J	CHIP R 1.2K J 1/10W		
R22			RK73FB2A334J	CHIP R 330K J 1/10W		
R24			RK73FB2A102J	CHIP R 1.0K J 1/10W		
R25			RK73FB2A471J	CHIP R 470 J 1/10W		
R26			RK73FB2A473J	CHIP R 47K J 1/10W		
R27			RK73FB2A223J	CHIP R 22K J 1/10W		
R28			RK73FB2A182J	CHIP R 1.8K J 1/10W		
R29	-31		RK73FB2A103J	CHIP R 10K J 1/10W		
R32			RK73FB2A182J	CHIP R 1.8K J 1/10W		
R33	-35		RK73FB2A473J	CHIP R 47K J 1/10W		
R36			RK73FB2A154J	CHIP R 150K J 1/10W		
R37			RK73FB2A273J	CHIP R 27K J 1/10W		
R38			RK73FB2A152J	CHIP R 1.5K J 1/10W		
R40			RK73FB2A221J	CHIP R 220 J 1/10W		
R42			R92-0670-05	CHIP R 0 OHM		
R43			RK73FB2A471J	CHIP R 470 J 1/10W		

L:Scandinavia

K:USA

P:Canada

Y:PX(Far East, Hawa)

T:England

E:Europe

Y:AFES(Europe)

X:Australia

M:Other Areas

△ indicates safety critical components.

PARTS LIST

* New Parts

Parts without Parts No. are not supplied.

Les articles non mentionnés dans la Parts No. ne sont pas fournis.

Teile ohne Parts No. werden nicht geliefert.

430/440M TX-RX UNIT (X57-358X-XX)

Ref. No. 参照番号	Address 位置	New Parts 新	Parts No. 部品番号	Description 部品名 / 規格	Desti- nation 仕向	Re- marks 備考
R44			RK73FB2A103J	CHIP R 10K J 1/10W		
R45 ,46			RK73FB2A222J	CHIP R 2.2K J 1/10W		
R47			RK73FB2B220J	CHIP R 22 J 1/8W		
R49			R92-0670-05	CHIP R 0 OHM		
R49			RK73FB2A102J	CHIP R 1.0K J 1/10W		
R51			RK73FB2A562J	CHIP R 5.6K J 1/10W		
R52			RK73FB2A104J	CHIP R 100K J 1/10W		
R53			R92-0685-05	CHIP R 22 J 1/2W		
R55			R92-0670-05	CHIP R 0 OHM		
R58			R92-0679-05	CHIP R 0 3HM		
R59			R92-1214-05	CHIP R 120 J 1/2W		
R60 ,61			RK73FB2A103J	CHIP R 10K J 1/10W		
R62			RK73FB2A221J	CHIP R 22C J 1/10W		
R63			RK73FB2A473J	CHIP R 47K J 1/10W		
R64			RK73FB2A104J	CHIP R 100K J 1/10W		
R65			RK73FB2A472J	CHIP R 4.7K J 1/10W		
R66			RK73FB2A473J	CHIP R 47K J 1/10W		
R67 ,68			RK73FB2A103J	CHIP R 10K J 1/10W		
VR1			R12-6429-05	TRIMMING PGT. 100K		
VR2			R12-6427-05	TRIM PGT. 47K		
VR3 ,4			R12-6423-05	TRIM PGT. 10K		
TS1			SS9-0444-05	THERMAL SWITCH(90°C)		
D1			HSK277	DIODE		
D2			1SV126	DIODE		
D3			1SS184	DIODE		
D4			MA862	DIODE		
D5			1SS181	DIODE		
D6			1SS184	DIODE		
D7			1SS184	DIODE		
D8			MI407	DIODE		
D9			MI305	DIODE		
D10 ,11			MA716	DIODE		
D12			6SA3A1	DIODE		
D13			1SS184	DIODE		
D14			MA716	DIODE		
D15			MA862	DIODE		
IC1			KC004	IC(CPM IF)		
IC2			KCA04	IC(MIC AMP)		
IC3			BU4094B5	IC		
IC4			LA5010M	IC(LOW SATURATION REGULATOR)		
IC5			XCC04	IC(APC)		
IC6			KCB14	IC(DRIVE)		
IC7			M57786M	IC(POWER MODULE/ 430-450MHZ)		
IC8			KCB12	IC(300M FRONT)		
IC9			KCB13	IC(800M FRONT)		
IC10			KCH07	IC(VCO-PLL/430)		
Q1			3SK184(S)	FET		
Q2			2SK582	FET		
Q3			3SK184(S)	FET		
Q4			DTC114EK	DIGITAL TRANSISTOR		
Q5			2SC2714(Y)	TRANSISTOR		
Q6 ,7			PM45	TRANSISTOR		
Q8			2SA1362(Y)	TRANSISTOR		

L:Scandinavia

K:USA

P:Canada

Y:PX(Far East, Hawaii)

T:England

E:Europe

Y:AAFLS(Europe)

X:Australia

M:Other Areas

⚠ indicates safety critical components

PARTS LIST

New Parts

Parts without Parts No. are not supplied.

Les articles non mentionnés dans le Parts No. ne sont pas fournis.

Teile ohne Parts No. werden nicht geliefert.

430/440M TX-RX UNIT (X57-359X-XX)

1200M TX-RX UNIT (X57-3600-11)

Ref. No. 参照番号	Address 位置	New Parts 新	Parts No. 部品番号	Description 部品名/規格	Desti- nation 仕向	Re- marks 備考
Q9			BTC144WK	DIGITAL TRANSISTOR		
Q10	.11		25C2712(Y)	TRANSISTOR		
Q12			2S81119S	TRANSISTOR		
Q13	-15		BTC144EK	DIGITAL TRANSISTOR		
Q16			25D1757K	TRANSISTOR		
Q17			25C2712(Y)	TRANSISTOR		
Q18			2S83123	TRANSISTOR		
Q19			FMG1	TRANSISTOR		
Q20			25J1760(C)	TRANSISTOR		
Q21			25J106(GR)	HBT		
1200M TX-RX UNIT (X57-3600-11)						
			A10-1316-G1	CHASSIS		
			B42-2437-04	LABEL(S/N#)		
C1			CC73FCH1H220J	CHIP C	22PF	J
C2	-5		CK73FB1H471K	CHIP C	470PF	K
C7			CC73FCH1H100J	CHIP C	10PF	D
C8			CC73PSL1H101J	CHIP C	100PF	J
C9			CC73FCH1H1R5B	CHIP C	1.5PF	B
C10	.11		CC73FCH1H470J	CHIP C	47PF	J
C12			CK73FB1E103K	CHIP C	0.01UF	K
C13			CC73FCH1H1R5B	CHIP C	1.5PF	B
C14			CC73PSL1H101J	CHIP C	100PF	J
C15			CK73FB1H471K	CHIP C	470PF	K
C17			CC73PSL1H101J	CHIP C	100PF	J
C18			CC73FCH1H1R5B	CHIP C	1.5PF	B
C19			CE04NW1C470M	ELECTRO	47UF	16WV
C21	.22		CK73FB1H471K	CHIP C	470PF	K
C23			CC73FCH1H030C	CHIP C	3PF	C
C24			CC73FCH1H1R5C	CHIP C	1.5PF	C
C25			CK73FB1H102K	CHIP C	1000PF	K
C26			CK73FB1H471K	CHIP C	470PF	K
C27			CK73FB1E223K	CHIP C	0.022UF	K
C28			CC73FCH1H080D	CHIP C	8PF	D
C29			CK73FB1E103K	CHIP C	0.01UF	K
C30			CC73FCH1H030C	CHIP C	3PF	C
C31			CC73PSL1H101J	CHIP C	100PF	J
C32			CC73FCH1H030C	CHIP C	3PF	C
C33			CK73FB1H471K	CHIP C	470PF	K
C34			CK73FB1H472K	CHIP C	4700PF	K
C35			CK73FB1H102K	CHIP C	1000PF	K
C36			CC73FCH1H150J	CHIP C	15PF	J
C37			CC73FCH1H220J	CHIP C	22PF	J
C38	-41		CK73FB1E103K	CHIP C	0.01UF	K
C42			CE04NW1C470M	ELECTRO	47UF	16WV
C43	.44		CK73EF1C105Z	CHIP C	1.0UF	Z
C45			C92-0002-05	CHIP TAN	0.22UF	35WV
C46			CK73FB1E104K	CHIP C	0.10UF	K
C47			CK73FB1H471K	CHIP C	470PF	K
C48			C92-0504-05	CHIP TAN	0.68UF	20WV
C49			C92-0004-05	ELECTRO	1.0UF	16WV
C50			CK73FB1E223K	CHIP C	0.022UF	K
C51			CK73EF1C105Z	CHIP C	1.0UF	Z
C52			CC73FCH1H030C	CHIP C	3PF	C

L:Scandinavia

K:USA

P:Canada

Y:PX(Far East, Hawaii)

T:England

E:Europe

Y:AFES(Europe)

X:Australia

M:Other Areas

 indicates safety critical components

PARTS LIST

x New Parts

Parts without Parts No. are not supplied.

Les articles non mentionnés dans le Parts No. ne sont pas fournis

1200M TX-RX UNIT (X57-3600-11)

Teile ohne Parts No. werden nicht geliefert.

Ref. No. 参照番号	Address 位置	New Parts 新	Parts No. 部品番号	Description 部品名/規格	Desti- nation 仕向	Re- marks 備考
C53			CK73FB1E473K	CHIP C 0.047UF K		
C54			CE04NW1C470M	ELECTRO 47UF 16WV		
C55			CK73EF1C105Z	CHIP C 1.0UF Z		
C56			CK73FB1E223K	CHIP C 0.022UF K		
C57			CK73FB1H471K	CHIP C 470PF K		
C58 ,59			CE04NW1C101M	ELECTRO 100UF 16WV		
C60			CK73FB1H471K	CHIP C 470PF K		
C61		*	CE04NW1A330M	ELECTRO 33UF 10WV		
C62 ,63			CK73FB1E103K	CHIP C 0.01UF K		
C64			CE04NW1C101M	ELECTRO 100UF 16WV		
C65			CC73GCH1H030C	CHIP C 3PF C		
C66			CC73GCH1H101J	CHIP C 100PF J		
C67 ,68			CC73GCH1H020C	CHIP C 2.0PF C		
C69			CC73GCH1H101J	CHIP C 100PF J		
C70			CC73GCH1H050C	CHIP C 5PF C		
C71			CK73EP1C105Z	CHIP C 1.0UF Z		
C72			CE04NW1E100M	ELECTRO 10UF 25WV		
C73 ,74			CK73FB1H471K	CHIP C 470PF K		
C75			CK73GB1H471K	CHIP C 470PF K		
C76			CK73FB1H471K	CHIP C 470PF K		
C77			CK73FB1E103K	CHIP C 0.01UF K		
C78 -80			CK73FB1H471K	CHIP C 470PF K		
C81			CK73EP1C105Z	CHIP C 1.0UF Z		
C82 -83			CK73FB1H471K	CHIP C 470PF K		
C84			CK73FB1H471K	CHIP C 470PF K		
C85			CE04NW1E100M	ELECTRO 10UF 25WV		
C86			CK73EP1C105Z	CHIP C 1.0UF Z		
C87 ,88			CK73GB1H471K	CHIP C 470PF K		
C89 ,90			CK73FB1H471K	CHIP C 470PF K		
C91			CE04NW1C470M	ELECTRO 47UF 16WV		
C92			CC73FCH1H470J	CHIP C 47PF J		
C93 ,94			CK73FB1H471K	CHIP C 470PF K		
C95			CC73FCH1H010C	CHIP C 1PF C		
C96			CC73FCH1H100D	CHIP C 10PF D		
C97			CK73FB1H471K	CHIP C 470PF K		
C98			CM73F2H470J	CHIP C 47PF J		
C99			CC73FSL1H101J	CHIP C 100PF J		
C100			CK73FB1E103K	CHIP C 0.01UF K		
C101			CC73FCH1H080D	CHIP C 8PF D		
C102-104			CK73FB1H471K	CHIP C 470PF K		
C105		*	CC73FCH1HR75B	CHIP C 0.75PF B		
C106			CK73FB1H471K	CHIP C 470PF K		
C107			CC73FSL1H101J	CHIP C 100PF J		
C108-110			CK73FB1H471K	CHIP C 470PF K		
C111			CC73FSL1H101J	CHIP C 100PF J		
C112			CK73FB1H471K	CHIP C 470PF K		
C113			CK73FB1H102K	CHIP C 1000PF K		
C114-116			CK73FB1H471K	CHIP C 470PF K		
C117			CK73GB1H102K	CHIP C 1000PF K		
C118			CK73FB1E103K	CHIP C 0.01UF K		
C119			CC73FSL1H101J	CHIP C 100PF J		
C120			CC73PUJ1H221J	CHIP C 220PF J		
C123-125			CK73FB1H471K	CHIP C 470PF K		
C126-130			CK73FB1H471K	CHIP C 470PF K		
C131			CK73GB1E103K	CHIP C 0.01UF K		

L:Scandinavia

K:USA

P:Canada

Y:FX(Far East, Hawaii)

T:England

E:Europe

Y:AAPES(Europe)

X:Australia

M:Other Areas

⚠ indicates safety critical components

PARTS LIST

☆ New Parts

Parts without Parts No. are not supplied.

Les articles non mentionnés dans le Parts No. ne sont pas fournis.

Teile ohne Parts No. werden nicht geliefert.

1200M TX-RX UNIT (X57-3600-11)

Ref. No. 参照番号	Address 位置	New Parts 新	Parts No. 部品番号	Description 部品名 / 規格	Desti- nation 仕向	Re- marks 備考
C132			CK73FB1H471K	CHIP C 470PF K		
C133			CK73FB1E103K	CHIP C 0.010UF K		
C134-137			CK73FB1H471K	CHIP C 470PF K		
C138			CE94NW0J47GM	ELECTRO 47UF 6.3WV		
C139			CC73FSL1H101J	CHIP C 100PF J		
C140			CK73FB1E104K	CHIP C 0.100UF K		
C141, 142			CK73FB1H471K	CHIP C 470PF K		
C144, 145			CC73FSL1H101J	CHIP C 100PF J		
C147-156			CC73CCH1H101J	CHIP C 100PF J		
C157			CK73GB1H102K	CHIP C 1000PF K		
C158			CK73FB1H102K	CHIP C 1000PF K		
C159			CC73FSL1H101J	CHIP C 100PF J		
CN1 ,2			E22-0672-04	TERMINAL BOARD(-)		
			E22-0673-04	TERMINAL BOARD(+)		
			E23-0467-05	TERMINAL		
			E30-3011-05	ANT. CABLE		
			E40-5461-05	PIN CONNECTOR(12P)		
			E11-0442-05	PHONE JACK		
J1			F10-1444-03	SHIELDING COVER		
			F10-1445-04	SHIELDING(VCO)		
			F10-1446-04	SHIELDING(MODULE)		
			F10-1457-14	SHIELDING CASE		
			F10-1475-04	SHIELDING COVER(MODULE)		
			G02-0599-04	FLAT SPRING(IC)		
CD1			G02-0706-04	FLAT SPRING(ANT)		
			G11-0654-04	SHEET(VCO 30X20)		
			G11-0655-04	SHEET(CN1,CN2 55X8)		
			G11-0660-04	SHEET(VCO 25X10)		
			G11-0661-04	INSULATION SHEET		
			G13-1319-04	FORMED PLATE		
CF1			G53-0508-04	NON-WEVERN FABRIC		
			J42-0471-04	DC CORD BUSHING		
			L79-1013-05	FILTER		
			L72-0366-05	CERAMIC FILTER		
		*	L79-1015-05	FILTER		
		*	L34-4259-05	COIL		
L1 ,2			L71-0280-05	MCP		
			L34-2034-05	COIL(VX0)		
		*	L40-3962-19	SMALL FIXED INDUCTOR(0.39UH)		
			L40-5682-19	SMALL FIXED INDUCTOR(0.56UH)		
			L77-1375-25	CRYSTAL RESONATOR(59.245MHZ)		
			L77-1376-25	TCXO(12.8MHZ)		
L4			N09-2077-05	SCREW		
			N87-2606-46	BRAZIER HEAD TAPTITE SCREW		
			N88-2606-46	FLAT HEAD TAPTITE SCREW		
L5			RK73FB2A222J	CHIP R 2.2K J 1/10W		
			RK73FB2A473J	CHIP R 47K J 1/10W		
			RK73GB1J473J	CHIP R 47K J 1/16W		
			RK73FB2A560J	CHIP R 56 J 1/10W		
			RK73FB2A221J	CHIP R 220 J 1/10W		
			RK73FB2A472J	CHIP R 4.7K J 1/10W		
			RK73FB2A153J	CHIP R 15K J 1/10W		
R6						
R7						
R9						
R10						

L:Scandinavia

K:USA

P:Canada

Y:FX(Far East, Hawaii)

T:England

E:Europe

Y:AAFES(Europe)

X:Australia

M:Other Areas

⚠ indicates safety critical components.

PARTS LIST

* New Parts

Parts without Parts No. are not supplied.

Les articles non mentionnés dans le Parts No. ne sont pas fournis

Teile ohne Parts No. werden nicht geliefert.

1200M TX-RX UNIT (X57-3600-11)

Ref. No.	Address	New Parts	Parts No.	Description	Desti- nation	Re- marks
参照番号	位置	新	部品番号	部品名/規格	位 向	備考
R11			RK73FB2A471J	CHIP R 470 J 1/10W		
R13			R92-0670-05	CHIP R 0 OHM		
R14			RK73GB1J180J	CHIP R 18 J 1/16W		
R15			RK73FB2A101J	CHIP R 100 J 1/10W		
R16			RK73FB2A331J	CHIP R 330 J 1/10W		
R17			RK73FB2A100J	CHIP R 10 J 1/10W		
R19			RK73FB2A151J	CHIP R 150 J 1/10W		
R20			RK73FB2A101J	CHIP R 100 J 1/10W		
R21			R92-0670-05	CHIP R 0 OHM		
R22			RK73FB2A331J	CHIP R 330 J 1/10W		
R23			RK73FB2A224J	CHIP R 220K J 1/10W		
R24			RK73FB2A561J	CHIP R 560 J 1/10W		
R25			RK73FB2A103J	CHIP R 10K J 1/10W		
R26			RK73FB2A473J	CHIP R 47K J 1/10W		
R27			RK73FB2A471J	CHIP R 470 J 1/10W		
R29			R92-0670-05	CHIP R 0 OHM		
R30			RK73FB2A221J	CHIP R 220 J 1/10W		
R31			RK73FB2A472J	CHIP R 4.7K J 1/10W		
R32			RK73FB2A222J	CHIP R 2.2K J 1/10W		
R33			RK73FB2A334J	CHIP R 330K J 1/10W		
R34			RK73FB2A223J	CHIP R 22K J 1/10W		
R35			RK73FB2A182J	CHIP R 1.8K J 1/10W		
R36 ,37			RK73FB2A103J	CHIP R 10K J 1/10W		
R38			RK73FB2A102J	CHIP R 1.0K J 1/10W		
R39 -41			RK73FB2A103J	CHIP R 10K J 1/10W		
R42			RK73FB2A474J	CHIP R 470K J 1/10W		
R43 -45			RK73GB1J472J	CHIP R 4.7K J 1/16W		
R46			RK73FB2A684J	CHIP R 680K J 1/10W		
R47			RK73FB2A023J	CHIP R 02K J 1/10W		
R48			RK73FB2A331J	CHIP R 330 J 1/10W		
R49			RK73FB2A102J	CHIP R 1.0K J 1/10W		
R50			RK73FB2A472J	CHIP R 4.7K J 1/10W		
R51			RK73FB2A102J	CHIP R 1.0K J 1/10W		
R52			RK73FB2A560J	CHIP R 56 J 1/10W		
R53			RK73GB1J271J	CHIP R 270 J 1/16W		
R54			RK73GB1J103J	CHIP R 10K J 1/16W		
R55			RK73GB1J222J	CHIP R 2.2K J 1/16W		
R56			RK73GB1J471J	CHIP R 470 J 1/16W		
R57			RK73FB2A100J	CHIP R 10 J 1/10W		
R58			RK73FB2A152J	CHIP R 1.5K J 1/10W		
R59			RK73FB2A683J	CHIP R 68K J 1/10W		
R60			R92-0670-05	CHIP R 0 OHM		
R61 ,62			RK73FB2A220J	CHIP R 22 J 1/10W		
R63			RK73GB1J472J	CHIP R 4.7K J 1/16W		
R64			RK73GB1J222J	CHIP R 2.2K J 1/16W		
R65			RK73GB1J471J	CHIP R 470 J 1/16W		
R66 ,67			RK73FB2A180J	CHIP R 18 J 1/10W		
R68			R92-0670-05	CHIP R 0 OHM		
R69			RK73FB2A333J	CHIP R 33K J 1/10W		
R70			R92-1201-05	SILIC 220 1/2W		
R71			R92-0670-05	CHIP R 0 OHM		
R72		*	R92-1264-05	FIXED RESISTOR		
R73			RK73FB2A472J	CHIP R 4.7K J 1/10W		
R74			R92-0700-05	CHIP R 18C 1/2W		
R75			RK73FB2A470J	CHIP R 47 J 1/10W		

L:Scandinavia

R:USA

P:Canada

Y:PX(Far East, Hawaii)

T:England

E:Europe

Y:AAFB(Europe)

X:Australia

M:Other Areas

⚠ indicates safety critical components

87

PARTS LIST

* New Parts

Parts without Parts No. are not supplied.

Les articles non mentionnés dans la Parts No. ne sont pas fournis.

Teile ohne Parts No. werden nicht geliefert.

1200M TX-RX UNIT (X57-3600-11)

Ref. No. 参照番号	Address 位置	New Parts 新	Parts No. 部品番号	Description 部品名/規格	Desti- nation 仕向	Re- marks 備考
R76			RK73FB2A222J	CHIP R 2.2K J 1/10W		
R77			R92-0670-05	CHIP R 0 0HM		
R78			RK73CB1J271J	CHIP R 270 J 1/16W		
R79 ,80			RK73FB2A103J	CHIP R 10K J 1/10W		
R81			RK73FB2A471J	CHIP R 470 J 1/10W		
R82			R92-0670-05	CHIP R 0 0HM		
R83			RK73FB2A4R7J	CHIP R 4.7 J 1/10W		
VR1			R12-6429-05	TRIMMING POT. 100K		
VR2			R12-6421-05	TRIM POT. 4.7K		
VR3			R12-6427-05	TRIM POT. 47K		
VR4			R12-6423-05	TRIM POT. 10K		
VR5			R12-6427-05	TRIM POT. 47K		
D1			MA862	DIODE		
D3			MA716	DIODE		
D4			1SS193	DIODE		
D5			02C26.2(X,Y)	DIODE		
D6			1SS193	DIODE		
D7			1SS187	DIODE		
D8			02C212(X,Y)	DIODE		
D9			HSX151	DIODE		
D10 -13			M1808	DIODE		
D14			0SA3A1	DIODE		
D15			02C23.6(Y,Z)	DIODE		
D17			DAP202U	DIODE		
D19			M1808	DIODE		
IC2			KCB04	IC(IF)		
IC3		*	KCX03	IC(ALT)		
IC4			KCAD4	IC(MIC)		
IC5			BU4094BF	IC		
IC6			LA5009M	IC		
IC7			KCB09	IC(PRE DRIVE)		
IC8			KCB10	IC(DRIVE)		
IC9			KCC04	IC(APC)		
IC10			M67711	IC(POWER MODULE/ 1.24-1.38HZ)		
IC11			KCH03	IC(PLL)		
IC12			NJN78L05UA	IC		
IC12			RC78L05UA	IC		
Q1			MGF1502	IC		
Q2			2SC4095(R47.6)	TRANSISTOR		
Q3			3SK164(S)	FET		
Q6			2SC3356	TRANSISTOR		
Q7			2SC3120	TRANSISTOR		
Q8			2SA1362(Y)	TRANSISTOR		
Q9			2SB1302S	TRANSISTOR		
Q10			DTC144WK	DIGITAL TRANSISTOR		
Q11			FMW1	TRANSISTOR		
Q12 ,13			2SC2712(Y)	TRANSISTOR		
Q15 -17			DTC144EU	DIGITAL TRANSISTOR		
Q18			2SD1757(K)	TRANSISTOR		
Q19			2SA1362(Y)	TRANSISTOR		
Q20			DTC124EK	DIGITAL TRANSISTOR		
Q21 ,22			2SC4226(R23,24)	TRANSISTOR		
Q23			2SC2712(Y)	TRANSISTOR		
Q24			2SD1760(Q)	TRANSISTOR		

Downloaded by
 Amateur Radio Directory

www.hamdirectory.info

L:Scandinavia K:USA P:Canada
 Y:PX(Far East, Hawaii) T:England E:Europe
 Y:AAFES(Europe) X:Australia M:Other Areas

indicates safety critical components.

PARTS LIST

* New Parts

Parts without Parts No. are not supplied.

Les articles non mentionnés dans le Parts No. ne sont pas fournis.

Teile ohne Parts No. werden nicht geliefert.

1200M TX-RX UNIT (X57-3500-11)

28M TX-RX UNIT (X57-3790-01)

Ref. No. 参照番号	Address 位置	New Parts 新	Parts No. 部品番号	Description 部品名/規格	Desti- nation 仕向	Re- marks 備考
Q25 Q26 Q28			FKG1 2SJ106(GR) DTC114EK	TRANSISTOR PET DIGITAL TRANSISTOR		
28M TX-RX UNIT (X57-3790-01)						
			A10-1325-01	CHASSIS		
			B42-2437-04	LABEL(S/NO, UNIT)		
C1			CC45SL2H191J	CERAMIC 180PF J		
C2	.3		CC45SL2H221J	CERAMIC 220PF J		
C4			CC45SL2H271J	CERAMIC 270PF J		
C5			CC45SL2H151J	CERAMIC 150PF J		
C9			CK73GB1H103K	CHIP C 0.01UF K		
C10			CK73FB1E103K	CHIP C 0.01UF K		
C11	.12		CK73GB1H103K	CHIP C 0.01UF K		
C13			CK73FB1E103K	CHIP C 0.01UF K		
C14	.15		CK73GB1H103K	CHIP C 0.01UF K		
C16			CK73FB1E103K	CHIP C 0.01UF K		
C17			CC73GCH1H220J	CHIP C 22PF J		
C18			CK73GB1H103K	CHIP C 0.01UF K		
C19			CC73FCH1H030C	CHIP C 3PF C		
C20			CK73GB1H103K	CHIP C 0.01UF K		
C21	-24		CK73FB1E103K	CHIP C 0.01UF K		
C25			CC73FSL1H101J	CHIP C 100PF J		
C26			CK73FB1E103K	CHIP C 0.01UF K		
C28			CE04NW1C470M	ELECTRO 47UF 16WV		
C29			CK73GB1H103K	CHIP C 0.01UF K		
C30	.31		CK73FB1E105Z	CHIP C 1.0UF Z		
C32			C92-0003-05	CHIP TAN 0.47UF 25WV		
C33			CK73FB1E104K	CHIP C 0.10UF K		
C34			C92-0504-05	CHIP TAN 0.68UF 20WV		
C35			CE04NW1C470M	ELECTRO 47UF 16WV		
C36			CK73FB1E103K	CHIP C 0.01UF K		
C37			CC73GCH1H330J	CHIP C 33PF J		
C38			CE04NW1C470M	ELECTRO 47UF 16WV		
C39			CK73FB1E103K	CHIP C 0.01UF K		
C40			C92-0004-05	ELECTRO 1.0UF 16WV		
C41			CK73FB1E103K	CHIP C 0.01UF K		
C42			CE04NW1E100M	ELECTRO 10UF 25WV		
C43	.44		CK73FB1E103K	CHIP C 0.01UF K		
C45			CK73FB1E103K	CHIP C 0.01UF K		
C46			CE04NW1C470M	ELECTRO 47UF 16WV		
C47			CK73FB1E103K	CHIP C 0.01UF K		
C48			CK73FB1H822K	CHIP C 8200PF K		
C49			CK73FB1H102K	CHIP C 1000PF K		
C50			CC73FCH1H270J	CHIP C 27PF J		
C51			CC73FUJ1H100D	CHIP C 10PF D		
C52			CK73FB1E105Z	CHIP C 1.0UF Z		
C53			CK73FB1E103K	CHIP C 0.01UF K		
C54			CK73FB1H102K	CHIP C 1000PF K		
C55	-57		CK73FB1E103K	CHIP C 0.01UF K		
C58			CE04NW1E100M	ELECTRO 10UF 25WV		
C59			CE04NW1A330M	ELECTRO 33UF 10WV		
C60			CK73FB1E103K	CHIP C 0.01UF K		
C61			CE04NW1A221M	ELECTRO 220UF 10WV		

L:Scandinavia

K:USA

P:Canada

V:PK(Far East, Hawaii)

T:England

E:Europe

Y:AFES(Europe)

X:Australia

M:Other Areas

△ indicates safety critical components

PARTS LIST

x New Parts

Parts without Parts No. are not supplied.

Les articles non mentionnés dans le Parts No. ne sont pas fournis.

Teile ohne Parts No. werden nicht geliefert.

28M TX-RX UNIT (X57-3790-01)

Ref. No. 参照番号	Address 位置	New 新	Parts No. 部品番号	Description 部品名/規格	Desti- nation 仕向	Re- marks 備考
C62			CC73FCH1H030C	CHIP C 3PF C		
C63			CK73FB1E103K	CHIP C 10PF J		
C64			CK73FB1E103K	CHIP C 0.01UF K		
C65			CC73FCH1H180J	CHIP C 18PF J		
C66			CK73FB1E103K	CHIP C 0.01UF K		
C67			CE04NW1C101M	ELECTRO 100UF 16WV		
C68	,69		CK73FB1E103K	CHIP C 0.01UF K		
C70			CK73FB1H223K	CHIP C 0.022UF K		
C71			CK73FB1E103K	CHIP C 0.01UF K		
C72			CK73EF1C105Z	CHIP C 1.0UF Z		
C73			CE04NW1E100M	ELECTRO 10UF 25WV		
C74			CK73FB1E103K	CHIP C 0.01UF K		
C75			CK73EF1C105Z	CHIP C 1.0UF Z		
C76			CK73FB1H223K	CHIP C 0.022UF K		
C77			CK73FB1E103K	CHIP C 0.01UF K		
C79	,80		CK73FB1E103K	CHIP C 0.01UF K		
C81			CK73FB1H102K	CHIP C 1000PF K		
C82			CE04NW1E330M	ELECTRO 33CF 25WV		
C83			CK73FB1E103K	CHIP C 0.01UF K		
C84			CK73F2H102J	CHIP C 1000PF J		
C85			CM73F2H271J	CHIP C 270PF J		
C86			C93-0509-05			
C87			CC73FCH1H350J	CHIP C 35PF J		
C88			C93-0509-05			
C89			CK73FB1E103K	CHIP C 0.01UF K		
C90			CC73FCH1H040C	CHIP C 4PF C		
C91			CC73FCH1H050C	CHIP C 0.5PF C		
C92	-96		CK73FB1E103K	CHIP C 0.01UF K		
C97			CC73FCH1H080C	CHIP C 8PF C		
C98			CC73FSL1H101J	CHIP C 100PF J		
C99			CC73FCH1H820J	CHIP C 82PF J		
C100			CK73FB1E103K	CHIP C 0.01UF K		
C101			CC73FCH1H350C	CHIP C 0.5PF C		
C102-111			CC73FSL1H101J	CHIP C 100PF J		
C112, 113			CK73FB1E103K	CHIP C 0.01UF K		
C114			CK73GB1H103K	CHIP C 0.01UF K		
C115			CK73FB1E103K	CHIP C 0.01UF K		
C116			CK73FB1E103K	CHIP C 0.01UF K		
C117			CK73FB1H102K	CHIP C 1000PF K		
C118			CE04NW1E100M	ELECTRO 10UF 25WV		
C119			CK73FB1E103K	CHIP C 0.01UF K		
C120			CC73GCH1H660J	CHIP C 68PF J		
C121			CC73GCH1H151J	CHIP C 150PF J		
C122, 123			CC73GCH1H151J	CHIP C 150PF J		
C124, 125			CK73FB1E103K	CHIP C 0.01UF K		
C126			CK73GB1H102K	CHIP C 1000PF K		
C127			CK73FB1E103K	CHIP C 0.01UF K		
C129			CC73FCH1H580J	CHIP C 56PF J		
C133			CC73FCH1H680J	CHIP C 68PF J		
C137			CC73FCH1F040C	CHIP C 4PF C		
C138			CC73GCH1H181J	CHIP C 180PF J		
TC1			C05-0345-05	TRIMMING CAP 10PF		
			E22-0673-04	TERMINAL BOARD(+)		
			E30-3009-05	ANT. CABLE		

L:Scandinavia

K:USA

P:Canada

Y:PK(Far East, Hawaii)


T:England

E:Europe

Y:AAFES(Europe)

X:Australia

M:Other Areas

 indicates safety critical components.

PARTS LIST

x New Parts

Parts without Parts No. are not supplied.

Les articles non mentionnés dans le Parts No. ne sont pas fournis.

Teile ohne Parts No. werden nicht geliefert.

26M TX-RX UNIT (X57-3790-01)

Ref. No. 参照番号	Address 位置	New Parts	Parts No. 部品番号	Description 部品名/規格	Desti- nation 仕向	Re- marks 備考
CN1 ,2 J1 TP2			E40-5461-05	PIN ASSY(12P)		
			E11-0442-05	PHONE JACK		
			E23-0465-05	TERMINAL(TP)		
			F10-2006-04	SHIELDING PLATE(FINAL)		
			* F10-2009-04	SHIELDING PLATE(L TYPE)		
			F10-2010-03	SHIELDING COVER		
			F10-2012-04	SHIELDING CASE (VCO-PLL)		
			* F12-0421-04	CONDUCTIVE SHEET(25.4X43)		
			* F12-0422-04	CONDUCTIVE SHEET(25.4X15)		
			F20-1008-04	INSULATING BOARD(APC)		
			* F20-1090-04	INSULATING BOARD(60X22)		
			G02-0600-14	FLAT SPRING(THERMAL SWITCH)		
			G02-0715-04	FLAT SPRING(APC TR)		
			* G02-0718-04	FLAT SPRING(VCO)		
			G02-0720-04	FLAT SPRING(FRONT)		
G11-0655-04	CONDUCTIVE RUBBER(CN1,CN1 55X8)					
C01 CF1 L1 L2 -4 L5 L6 L7 L8 L9 L10 L11 L12 L13 L14 L15 L16 L17 L18 L19 L20 ,21 L22 ,23 L24 L25 L27 X1 XF1			G11-0661-04	INSULATING SHEET(APC TR)		
			G13-0841-04	CUSHION(XTAL)		
			G13-1319-04	CUSHION(VCO)		
			G13-1337-04	CUSHION(VCO)		
			* J30-0583-14	SPACER(FINAL)		
			J42-0471-04	DC CORD BUSHING		
			L79-1013-05	FILTER		
			L72-0372-05	CERAMIC FILTER(CPWW455P)		
			* L34-4283-05	COIL(7.5T)		
			* L34-4284-05	COIL(10.5T)		
			* L34-4285-05	COIL(1ST IF)		
			L40-6891-19	SMALL FIXED INDUCTOR(6.8UH)		
			L40-1001-19	SMALL FIXED INDUCTOR(10UH)		
			* L34-1355-05	COIL(10.5T)		
			* L40-6882-19	SMALL FIXED INDUCTOR(0.68UH)		
L40-3982-19	SMALL FIXED INDUCTOR(0.39UH)					
* L34-1361-05	COIL(4.5T)					
* L34-1354-05	COIL(8.5T)					
L34-1352-05	COIL(8T)					
* L34-1363-05	COIL(2T)					
L34-1351-05	COIL(7T)					
* L34-1364-05	COIL					
* L34-1356-05	COIL					
* L34-1355-05	COIL					
* L33-0741-05	CHOKER COIL					
* L34-1355-05	COIL(10.5T)					
* L40-5691-19	SMALL FIXED INDUCTOR(5.6UH)					
L40-3982-19	SMALL FIXED INDUCTOR(0.39UH)					
L40-1001-19	SMALL FIXED INDUCTOR(10UH)					
L40-1892-19	SMALL FIXED INDUCTOR(1.8UH)					
* L77-1465-05	CRYSTAL RESONATOR(9.285MHZ)					
* L71-0422-05	CRYSTAL FILTER(8.83MHZ)					
N09-2179-05	SCREW					
N87-2606-46	BRAZIER HEAD TAPTITE SCREW					
N87-2608-46	BRAZIER HEAD TAPTITE SCREW					
N88-2606-46	FLAT HEAD TAPTITE SCREW					

L:Scandinavia

K:USA

P:Canada

Y:PX(Far East, Hawaii)

T:England

E:Europe

X:AFES(Europe)

A:Australia

M:Other Areas

▲ indicates safety critical components.

PARTS LIST

X: New Parts

Parts without Parts No. are not supplied

Les pièces non mentionnées dans le Parts No. ne sont pas fournies.

Teile ohne Parts No. werden nicht geliefert.

28M TX-RX UNIT (X57-3790-01)

Ref. No. 参照番号	Address 位置	New Parts 新	Parts No. 部品番号	Description 部品名 / 規格	Desti- nation 仕向	Re- marks 備考
R1			RK73FB2A472J	CHIP R 4.7K J 1/10W		
R2			RK73FB2A103J	CHIP R 10K J 1/10W		
R3			RK73FB2A472J	CHIP R 4.7K J 1/10W		
R4			RK73FB2A680J	CHIP R 68 J 1/10W		
R5			RK73FB2A271J	CHIP R 270 J 1/10W		
R6			RK73FB2A680J	CHIP R 68 J 1/10W		
R7	5		RK73GB1J104J	CHIP R 100K J 1/16W		
R9			RK73GB1J682J	CHIP R 6.8K J 1/16W		
R10			RK73GB1J154J	CHIP R 150K J 1/16W		
R11			RK73GB1J470J	CHIP R 47 J 1/16W		
R12			RK73GB1J103J	CHIP R 10K J 1/16W		
R13	-15		RK73GB1J104J	CHIP R 100K J 1/16W		
R16			RK73GB1J100J	CHIP R 10 J 1/16W		
R17			RK73FB2A101J	CHIP R 100 J 1/10W		
R18			RK73FB2A473J	CHIP R 47K J 1/10W		
R19	20		RK73FB2A102J	CHIP R 1.0K J 1/10W		
R21			RK73FB2A223J	CHIP R 22K J 1/10W		
R22			RK73GB1J152J	CHIP R 1.5K J 1/16W		
R23			RK73FB2A101J	CHIP R 100 J 1/10W		
R24			RK73FB2A472J	CHIP R 4.7K J 1/10W		
R25			RK73FB2A391J	CHIP R 390 J 1/10W		
R26			RK73FB2A563J	CHIP R 56K J 1/10W		
R27			RK73FB2A223J	CHIP R 22K J 1/10W		
R28			RK73FB2A331J	CHIP R 330 J 1/10W		
R29			RK73FB2A334J	CHIP R 330K J 1/10W		
R30			RK73FB2A222J	CHIP R 2.2K J 1/10W		
R31			RK73FB2A274J	CHIP R 270K J 1/10W		
R32			RK73FB2A101J	CHIP R 100 J 1/10W		
R33			RK73FB2A221J	CHIP R 220 J 1/10W		
R34			RK73FB2A103J	CHIP R 10K J 1/10W		
R35			RK73FB2A104J	CHIP R 100K J 1/10W		
R36			RK73FB2A473J	CHIP R 47K J 1/10W		
R37			RK73FB2A471J	CHIP R 470 J 1/10W		
R38	39		RK73FB2A472J	CHIP R 4.7K J 1/10W		
R40			RK73FB2A103J	CHIP R 10K J 1/10W		
R41			RK73FB2A474J	CHIP R 470K J 1/10W		
R42			RK73FB2A103J	CHIP R 10K J 1/10W		
R43			RK73FB2A223J	CHIP R 22K J 1/10W		
R44			RK73FB2A273J	CHIP R 270 J 1/10W		
R45			RK73FB2A182J	CHIP R 1.8K J 1/10W		
R46	-48		RK73FB2A103J	CHIP R 10K J 1/10W		
R49			RK73FB2A182J	CHIP R 1.8K J 1/10W		
R50			RK73FB2A184J	CHIP R 180K J 1/10W		
R51			RK73FB2A223J	CHIP R 22K J 1/10W		
R52			RK73FB2A103J	CHIP R 10K J 1/10W		
R53			RK73FB2A223J	CHIP R 22K J 1/10W		
R54	55		RK73FB2A102J	CHIP R 1.0K J 1/10W		
R56	-58		RK73FB2A473J	CHIP R 47K J 1/10W		
R60			RK73FB2A471J	CHIP R 470 J 1/10W		
R61			RK73FB2A105J	CHIP R 1.0K J 1/10W		
R62			RK73FB2A104J	CHIP R 100K J 1/10W		
R63			RK73FB2A103J	CHIP R 10K J 1/10W		
R64	65		RK73FB2A222J	CHIP R 2.2K J 1/10W		
R66			RK73FB2A102J	CHIP R 1.0K J 1/10W		
R67			RK73FB2A122J	CHIP R 1.2K J 1/10W		

L:Scandinavia

K:USA

P:Canada

Y:PX(Far East, Hawaii)

T:England

E:Europe

Y:AFES(Europe)

X:Australia

M:Other Areas

△ indicates safety critical components.

PARTS LIST

* New Parts

Parts without Parts No. are not supplied.

Les articles non mentionnés dans le Parts No. ne sont pas fournis.

Teile ohne Parts No. werden nicht geliefert.

28M TX-RX UNIT (X57-3790-01)

Ref. No. 参照番号	Address 位置	New Parts 新	Parts No. 部品番号	Description 部品名 / 規格	Destination 仕向	Remarks 備考
R68			RK73FB2A220J	CHIP R 22 J 1/10W		
R69			R92-0670-05	CHIP R 0 OHM		
R70			RK73FB2A104J	CHIP R 100K J 1/10W		
R72			RK73FB2A221J	CHIP R 220 J 1/10W		
R73			RK73FB2A220J	CHIP R 22 J 1/10W		
R74			RK73FB2A221J	CHIP R 220 J 1/10W		
R75			RK73FB2A470J	CHIP R 47 J 1/10W		
R77			R92-1213-05	SOLID 100 1/2W		
R78 ,79			RK73FB2A223J	CHIP R 22K J 1/10W		
R80			R92-0699-05	SOLID 10 1/2W		
R81			RK73FB2A103J	CHIP R 10K J 1/10W		
R82			RK73GB1J222J	CHIP R 2.2K J 1/16W		
R83			RK73FB2A471J	CHIP R 470 J 1/10W		
R84			R92-1215-05	CHIP R 470 J 1/2W		
R85			RK73FB2A123J	CHIP R 12K J 1/10W		
R88			RK73FB2A102J	CHIP R 1.0K J 1/10W		
R89 -92			R92-1252-05	CHIP R 0 OHM		
R93 ,94			R92-0670-05	CHIP R 0 OHM		
R95			R92-0679-05	CHIP R 0 OHM		
R96 -98			R92-0670-05	CHIP R 0 OHM		
R99			R92-1217-05	CHIP R 0		
R100-103			R92-0670-05	CHIP R 0 OHM		
R104			RK73FB2A472J	CHIP R 4.7K J 1/10W		
R105,106			R92-0670-05	CHIP R 0 OHM		
R108			RK73FB2A681J	CHIP R 680 J 1/10W		
R111			R92-0670-05	CHIP R 0 OHM		
R115,116			R92-0670-05	CHIP R 0 OHM		
VR1			R12-6429-05	TRIMMING POT. 100K		
VR2			R12-6427-05	TRIM POT. 47K		
VR3			R12-6421-05	TRIM POT. 4.7K		
VR4			R12-6423-05	TRIM POT. 10K		
TS1			S79-0401-05	THERMAL SWITCH(95°C)		
D1 ,2			MA77	DIODE		
D3 -6		*	1SV228	DIODE		
D7			DAN235(K)	DIODE		
D8			1SS184	DIODE		
D9			DAN235(K)	DIODE		
D10			1SS181	DIODE		
D11			UM9401	DIODE		
D12			MI308	DIODE		
D13 ,14			1SS226	DIODE		
D15			DSA3A1	DIODE		
D16 ,17			1SS184	DIODE		
IC1			BU4094BF	IC		
IC2		*	KCH09	IC(28MHZ VCO-PLL)		
IC3			KCAC4	IC(MIC AMP)		
IC4		*	KCB16	IC(DRIVE)		
IC5			KCC04	IC(APC)		
IC6			KCD04	IC(PM IP)		
IC7			LA5009M	IC		
IC8		*	KCB17	IC(18-50MHZ FRONT)		
IC9			KCD05	IC(AM IP)		
Q1			5SK179(L)	DET		

L:Scandinavia

K:USA

P:Canada

Y:PX(Far East, Hawaii)

T:England

E:Europe

Y:AAFES(Europe)

X:Australia

M:Other Areas

△ indicates safety critical components

PARTS LIST

* New Parts

Parts without Parts No. are not supplied.

Les articles non mentionnés dans le Parts No. ne sont pas fournis

Teile ohne Parts No. werden nicht geliefert.

28M TX-RX UNIT (X57-3790-01)

28M SUB UNIT (X58-3840-01)

50M TX-RX UNIT (X57-3800-01)

Ref. No. 参照番号	Address 位置	New Parts 新	Parts No. 部品番号	Description 部品名/規格	Desti- nation 仕向	Re- marks 備考
Q2			3SK131(V12)	FET		
Q3			2SC2714(Y)	TRANSISTOR		
Q4 ,5			DTC144EU	DIGITAL TRANSISTOR		
Q6 ,7			DTA114EK	DIGITAL TRANSISTOR		
Q8			2SC2714(Y)	TRANSISTOR		
Q9			2SD106(GR)	FET		
Q10			2SA1362(Y)	TRANSISTOR		
Q11			2SB1119S	TRANSISTOR		
Q12			DTC144WK	DIGITAL TRANSISTOR		
Q13			PMW1	TRANSISTOR		
Q14			2SC2712(Y)	TRANSISTOR		
Q15 -17			DTC144EK	DIGITAL TRANSISTOR		
Q18			2SD1757(K)	TRANSISTOR		
Q19			2SK208(Y)	FET		
Q20			2SC2714(Y)	TRANSISTOR		
Q21			2SC2712(Y)	TRANSISTOR		
Q22			FMG1	TRANSISTOR		
Q23			2SD1902R	TRANSISTOR		
Q24			2SC2712(Y)	TRANSISTOR		
Q25			DTA114EK	DIGITAL TRANSISTOR		
Q26			DTC143EK	DIGITAL TRANSISTOR		
Q27			DTC144EK	DIGITAL TRANSISTOR		
Z1		*	X58-3840-01	SUB UNIT(28MHZ 50W)		
28M SUB UNIT (X58-3840-01)						
C201			CC73PCF1H471J	CHIP C 470PF J		
C202, 203			CK73FB1H152K	CHIP C 1500PF K		
C204			CM73F2H241J	CHIP C 240PF J		
L201			L34-1357-05	COIL(2T)		
L202			L40-1001-19	SMALL FIXED INDUCTOR(10UH)		
R201		*	R92-0686-05	CHIP R 33 J 1/2W		
Q201			2SC1971	TRANSISTOR		
Q202		*	2SC3240	TRANSISTOR		
50M TX-RX UNIT (X57-3800-01)						
			A10-1325-01	CHASSIS		
			B42-2437-04	LABEL(S/NO, UNIT)		
C1		*	CC45SL2H750J	CERAMIC 75PF J		
C2			CC45SL2H560J	CERAMIC 56PF J		
C3			CC45SL2H680J	CERAMIC 68PF J		
C4			CC45SL2H101J	CERAMIC 100PF J		
C5			CC45SL2H680J	CERAMIC 68PF J		
C6			CC45SL2H120J	CERAMIC 12PF J		
C7			CC45SL2H150J	CERAMIC 15PF J		
C8			CC45SL2H300C	CERAMIC 3.0PF C		
C9			CK73GB1H103K	CHIP C 0.01UF K		
C10			CK73FB1E103K	CHIP C 0.01UF K		
C11 ,12			CK73GB1H103K	CHIP C 0.01UF K		
C13			CK73FB1E103K	CHIP C 0.01UF K		
C14 ,15			CK73GB1H103K	CHIP C 0.01UF K		
C16			CK73FB1E103K	CHIP C 0.01UF K		
C17			CC73GCH1R120J	CHIP C 12PF J		

L:Scandinavia

K:USA

P:Canada

Y:PX(Far East, Hawaii)


T:England

E:Europe

Y:AAFES(Europe)

A:Australia

M:Other Areas

 indicates safety critical components.

PARTS LIST

* New Parts

Parts without Parts No. are not supplied

Les articles non mentionnés dans le Parts No. ne sont pas fournis.

teile ohne Parts No. werden nicht geliefert.

50M TX-RX UNIT (X67-3800-01)

Ref. No. 参照番号	Address 位置	New Parts	Parts No. 部品番号	Description 部品名/規格	Distri- nation 仕向	Re- marks 備考
C18			CK73CB1H103K	CHIP C 0.01UF K		
C19			CC73FCH1H0600	CHIP C 8PF D		
C20			CK73CB1H103K	CHIP C 0.01UF K		
C21 -24			CK73FB1E103K	CHIP C 0.01UF K		
C25			CK73FB1H102K	CHIP C 100PF K		
C26			CK73FB1E103K	CHIP C 0.01UF K		
C27			CC73FCH1H040C	CHIP C 4.0PF C		
C28			CE04NW1C470M	ELECTRO 47UF 16WV		
C29			CK73CB1H103K	CHIP C 0.01UF K		
C30 ,31			CK73EP1C105Z	CHIP C 1.0UF Z		
C32			C92-0003-05	CHIP TAN 0.47UF 25WV		
C33			CK73FB1E104K	CHIP C 0.10UF K		
C34			C92-0504-05	CHIP TAN 0.68UF 20WV		
C35			CE04NW1C470M	ELECTRO 47UF 16WV		
C36			CK73FB1E103K	CHIP C 0.01UF K		
C37			CC73GCH1H100D	CHIP C 10PF D		
C38			CE04NW1C470M	ELECTRO 47UF 16WV		
C39			CK73FB1E103K	CHIP C 0.01UF K		
C40			C92-0004-05	ELECTRO 1.0UF 16WV		
C41			CK73FB1E103K	CHIP C 0.01UF K		
C42			CE04NW1E100M	ELECTRO 10UF 25WV		
C43 ,44			CK73FB1E103K	CHIP C 0.01UF K		
C45			CK73FB1E103K	CHIP C 0.01UF K		
C46			CE04NW1C470M	ELECTRO 47UF 16WV		
C47 -49			CK73FB1E103K	CHIP C 0.01UF K		
C50			CC73FCH1H270J	CHIP C 27PF J		
C51			CC73FCH1H120J	CHIP C 12PF J		
C52			CK73EP1C105Z	CHIP C 1.0UF Z		
C53			CK73FB1E103K	CHIP C 0.01UF K		
C54			CK73FB1H102K	CHIP C 100PF K		
C55 -57			CK73FB1E103K	CHIP C 0.01UF K		
C56			CE04NW1E100M	ELECTRO 10UF 25WV		
C59			CE04NW1A330M	ELECTRO 33UF 10WV		
C60			CK73FB1E103K	CHIP C 0.01UF K		
C61			CE04NW1A221M	ELECTRO 220UF 10WV		
C62			CC73FCH1H100D	CHIP C 10PF D		
C63 ,64			CK73FB1E103K	CHIP C 0.01UF K		
C65			CC73FCH1H150J	CHIP C 15PF J		
C66			CK73FB1E103K	CHIP C 0.01UF K		
C67			CE04NW1C101M	ELECTRO 100UF 16WV		
C68 ,69			CK73FB1E103K	CHIP C 0.01UF K		
C70			CK73FB1E223K	CHIP C 0.022UF K		
C71			CK73FB1E103K	CHIP C 0.01UF K		
C72			CK73EP1C105Z	CHIP C 1.0UF Z		
C73			CE04NW1E100M	ELECTRO 10UF 25WV		
C74			CK73FB1E103K	CHIP C 0.01UF K		
C75			CK73EP1C105Z	CHIP C 1.0UF Z		
C76			CK73FB1E223K	CHIP C 0.022UF K		
C77			CK73FB1H681K	CHIP C 680PF K		
C78			CC73FCH1H221J	CHIP C 220PF J		
C79 ,80			CK73FB1E103K	CHIP C 0.01UF K		
C81			CK73FB1H102K	CHIP C 100PF K		
C82			CE04NW1E330M	ELECTRO 33UF 25WV		
C83			CK73FB1E103K	CHIP C 0.01UF K		
C84			CK73F2N391J	CHIP C 390PF C		

L:Scandinavia

K:USA

P:Canada

Y:PX(Far East, Hawaii)


T:England

E:Europe

Y:AAFES(Europe)

X:Australia

M:Other Areas

 indicates safety critical components.

PARTS LIST

* New Parts

Parts without Parts No. are not supplied.

Les articles non mentionnés dans le Parts No. ne sont pas fournis.

Teile ohne Parts No. werden nicht geliefert.

60M TX-RX UNIT (X57-3800-01)

Ref. No. 参照番号	Address 位置	New Parts 新	Parts No. 部品番号	Description 部品名 / 规格	Desti- nation 仕向	Re- marks 備考
C85			CM73F24020J	CHIP C 82PF J		
C86		*	C93-0509-05	CERAMIC 0.0060UF J		
C87			CC73FCH1H390J	CHIP C 39PF J		
C88		*	C93-0509-05	CERAMIC 0.0060UF J		
C89			CK73FB1E103K	CHIP C 0.01UF K		
C90			CC73FCH1H020C	CHIP C 2.0PF C		
C91			CC73FCH1H0R5C	CHIP C 0.5PF C		
C92 -96			CK73FB1E103K	CHIP C 0.01UF K		
C97			CC73FCH1H020C	CHIP C 2.0PF C		
C98 ,99			CC73FCH1H390J	CHIP C 39PF J		
C100			CK73FB1E103K	CHIP C 0.01UF K		
C101			CC73FCH1H0R5C	CHIP C 0.5PF C		
C102-111			CC73PSL1H101J	CHIP C 100PF J		
C112-113			CK73FB1E103K	CHIP C 0.01UF K		
C114			CK73GB1H103K	CHIP C 0.01UF K		
C115, 116			CK73FB1E103K	CHIP C 0.01UF K		
C117			CK73FB1H102K	CHIP C 1000PF K		
C118			CE04NW1E100M	ELECTRO 10UF 25WV		
C119			CK73FB1E103K	CHIP C 0.01UF K		
C124, 125			CK73FB1E103K	CHIP C 0.01UF K		
C126			CK73GB1H102K	FY7700 1000PF K		
C127			CK73FB1E103K	CHIP C 0.01UF K		
C128			CC73GCH1H270J	FY7700 27PF J		
C130, 131			CC73FCH1H1R5C	CHIP C 1.5PF C		
C132			CC73FCH1H150J	CHIP C 15PF J		
C133			CC73FCH1H560J	CHIP C 56PF J		
C134			CC73GCH1H050C	CHIP C 5PF C		
C135			CC73PSL1H101J	CHIP C 100PF J		
C136			CK73FB1E104K	CHIP C 0.10UF K		
C138			CC73GCH1H151J	CHIP C 150PF J		
C139, 140			CC73FC01H470J	CHIP C 47PF J		
TC1			C05-0345-05	TRIMMING CAP. 10PF		
CN1 ,2			E22-0673-04	TERMINAL(+)		
J1			E30-3009-05	ANT. CABLE		
TP2			E40-5461-05	PIN ASSY(12P)		
			E11-0442-05	PHONE JACK		
			E23-0465-05	TERMINAL(TP)		
		*	F10-2006-04	SHIELDING PLATE(FINAL)		
		*	F10-2009-04	SHIELDING PLATE(L TYPE)		
			F10-2010-03	SHIELDING COVER		
			F10-2012-04	SHIELDING CASE(VCO-PLL)		
			F20-1008-04	INSULATING SHEET(APC)		
			F20-1090-04	INSULATING SHEET(60X22)		
			G02-0600-14	PLAT SPRING(THERMAL SWITCH)		
		*	G02-0705-04	PLAT SPRING(BPF COIL)		
			G02-0715-04	PLAT SPRING(APC TR)		
			G02-0718-04	PLAT SPLING(VCO)		
			G11-0655-04	CONDUCTIVE RUBBER(CN1, CN2 55X8)		
			G11-0661-04	INSULATING SHEET(APC TR)		
			G13-0841-04	CUSHION(XTAL)		
			G13-1319-04	CUSHION(VCO 22X15)		
			G13-1332-04	CUSHION		
			G13-1337-04	CUSHION(BPF COIL, VCO)		

L:Scandinavia

K:USA

P:Canada

Y:PX(Far East, Hawaii)

T:England

E:Europe

Y:AFES(Europe)

X:Australia

M:Other Areas

△ indicates safety critical components.

PARTS LIST

* New Parts

Parts without Parts No. are not supplied

Les articles non mentionnés dans le Parts No. ne sont pas fournis.

50M TX-RX UNIT (X57-3800-01)

Teile ohne Parts No. werden nicht geliefert.

Ref. No. 参照番号	Address 位 置	New Parts 新	Parts No. 部 品 番 号	Description 部 品 名 / 規 格	Desti- nation 仕 向	Re- marks 備 考
			653-0508-04	PACKING		
		*	330-0583-14	SPACER(FINAL)		
			342-0471-04	DC CORD BUSHING		
CO1			L79-1013-05	FILTER		
CF1			L72-0372-05	CERAMIC FILTER(CPWA55F)		
L1		*	L34-4281-05	COIL(YELLOW)		
L2	-4		L34-4283-05	COIL(WHITE)		
L5			L34-4251-05	COIL(1ST IP)		
L6			L40-1582-19	SMALL FIXED INDUCTOR(0.15UH)		
L7			L40-1001-19	SMALL FIXED INDUCTOR(10UH)		
L8		*	L34-1347-05	COIL (6.5T)		
L9			L40-4762-19	SMALL FIXED INDUCTOR(0.47UH)		
L10		*	L40-1882-19	SMALL FIXED INDUCTOR(0.18UH)		
L11		*	L34-1344-05	COIL (2.5T)		
L12			L34-1354-05	COIL (8.5T)		
L13		*	L34-1352-05	COIL (8T)		
L14		*	L34-1345-05	COIL (1T)		
L15		*	L34-1346-05	COIL (4T)		
L16			L34-1364-05	COIL (20.5T)		
L17		*	L34-1349-05	COIL (5.5T)		
L18		*	L34-1348-05	COIL (5.5T)		
L19		*	L33-0742-05	SMALL FIXED INDUCTOR(10UH)		
L20	,21	*	L34-1347-05	COIL (6.5T)		
L25			L40-1001-19	SMALL FIXED INDUCTOR(10UH)		
L26			L40-1582-19	SMALL FIXED INDUCTOR(0.15UH)		
L27		*	L40-1592-19	SMALL FIXED INDUCTOR(0.15UH)		
L28			L40-2282-19	SMALL FIXED INDUCTOR(0.22UH)		
X1		*	L77-1464-05	CRYSTAL RESONATOR(11.05MHZ)		
XF1		*	L71-0421-05	CRYSTAL FILTER(10.595MHZ)		
		*	N09-2179-05	SCREW (X3)		
			N87-2606-46	BRAZIER HEAD TAPTITE SCREW		
			N89-2608-46	BRAZIER HEAD TAPTITE SCREW		
			N88-2606-46	FLAT HEAD TAPTITE SCREW		
R1			RK73FB2A472J	CHIP R 4.7K J 1/10W		
R2			RK73FB2A103J	CHIP R 10K J 1/10W		
R3			RK73FB2A472J	CHIP R 4.7K J 1/10W		
R4			RK73FB2A680J	CHIP R 68 J 1/10W		
R5			RK73FB2A271J	CHIP R 270 J 1/10W		
R6			RK73FB2A680J	CHIP R 68 J 1/10W		
R7	,8		RK73GB1J104J	CHIP R 100K J 1/16W		
R9			RK73GB1J562J	CHIP R 5.6K J 1/16W		
R10			RK73GB1J154J	CHIP R 150K J 1/16W		
R11			RK73GB1J101J	CHIP R 100 J 1/16W		
R12			RK73GB1J103J	CHIP R 10K J 1/16W		
R13	-15		RK73GB1J104J	CHIP R 100K J 1/16W		
R16			RK73GB1J100J	CHIP R 10 J 1/16W		
R17			RK73FB2A101J	CHIP R 100 J 1/10W		
R18			RK73FB2A473J	CHIP R 47K J 1/10W		
R19	,20		RK73FB2A102J	CHIP R 1.0K J 1/10W		
R21			RK73FB2A223J	CHIP R 22K J 1/10W		
R22			RK73GB1J152J	CHIP R 1.5K J 1/16W		
R23			RK73FB2A101J	CHIP R 100 J 1/10W		
R24			RK73FB2A192J	CHIP R 1.5K J 1/10W		

L:Scandinavia

K:USA

P:Canada

Y:PX(Far East, Hawaii)

T:England

E:Europe

Y:AFES(Europe)

X:Australia

M:Other Areas

△ indicates safety critical components.

PARTS LIST

X: New Parts

Parts without Parts No. are not supplied.

Les articles non mentionnés dans le Parts No. ne sont pas fournis.

Teile ohne Parts No. werden nicht geliefert.

60M TX-RX UNIT (X57-3800-01)

Ref. No. 参照番号	Address 位置	New Parts 前	Parts No. 部品番号	Description 部品名 / 规格	Desti- nation 仕向	Re- marks 備考
R25			RK73FB2A391J	CHIP R 390 J 1/10W		
R26			RK73FB2A563J	CHIP R 56K J 1/10W		
R27			RK73FB2A223J	CHIP R 22K J 1/10W		
R28			RK73FB2A331J	CHIP R 330 J 1/10W		
R30			RK73FB2A222J	CHIP R 2.2K J 1/10W		
R31			RK73FB2A274J	CHIP R 270K J 1/10W		
R32			RK73FB2A101J	CHIP R 100 J 1/10W		
R33			RK73FB2A221J	CHIP R 220 J 1/10W		
R34			RK73FB2A103J	CHIP R 10K J 1/10W		
R35			RK73FB2A334J	CHIP R 330K J 1/10W		
R36			RK73FB2A473J	CHIP R 47K J 1/10W		
R37			RK73FB2A471J	CHIP R 470 J 1/10W		
R38			RK73FB2A472J	CHIP R 4.7K J 1/10W		
R40			RK73FB2A103J	CHIP R 10K J 1/10W		
R41			RK73FB2A474J	CHIP R 470K J 1/10W		
R42			RK73FB2A103J	CHIP R 10K J 1/10W		
R43			RK73FB2A223J	CHIP R 22K J 1/10W		
R44			RK73FB2A273J	CHIP R 27K J 1/10W		
R45			RK73FB2A182J	CHIP R 1.8K J 1/10W		
R46	-48		RK73FB2A103J	CHIP R 10K J 1/10W		
R49			RK73FB2A182J	CHIP R 1.8K J 1/10W		
R50			RK73FB2A154J	CHIP R 150K J 1/10W		
R51			RK73FB2A223J	CHIP R 22K J 1/10W		
R52			RK73FB2A103J	CHIP R 10K J 1/10W		
R53			RK73FB2A223J	CHIP R 22K J 1/10W		
R54	,55		RK73FB2A102J	CHIP R 1.0K J 1/10W		
R56	-58		RK73FB2A473J	CHIP R 47K J 1/10W		
R59	,60		RK73FB2A470J	CHIP R 47 J 1/10W		
R61			RK73FB2A105J	CHIP R 1.0M J 1/10W		
R62			RK73FB2A472J	CHIP R 4.7K J 1/10W		
R63			RK73FB2A183J	CHIP R 18K J 1/10W		
R64	,65		RK73FB2A222J	CHIP R 2.2K J 1/10W		
R66			RK73FB2A102J	CHIP R 1.0K J 1/10W		
R67			RK73FB2A122J	CHIP R 1.2K J 1/10W		
R68			RK73FB2A220J	CHIP R 22 J 1/10W		
R69			R92-0670-05	CHIP R 0 OHM		
R70			RK73FB2A104J	CHIP R 100K J 1/10W		
R72			RK73FB2A471J	CHIP R 470 J 1/10W		
R73			RK73FB2A120J	CHIP R 12 A		
R74			RK73FB2A471J	CHIP R 471 J 1/10W		
R75			RK73FB2A470J	CHIP R 47 J 1/10W		
R76			RK73FB2A472J	CHIP R 4.7K J 1/10W		
R77			R92-1213-05	SOLID 100 1/2W		
R78	,79		RK73FB2A223J	CHIP R 22K J 1/10W		
R80			R92-0685-05	CHIP R 22 J 1/2W		
R81			RK73FB2A222J	CHIP R 2.2K J 1/10W		
R82			RK730B1C332J	CHIP R 3.3K J 1/16W		
R83			RK73FB2A471J	CHIP R 470 J 1/10W		
R84			R92-1215-05	CHIP R 470 J 1/2W		
R86			R92-1252-05	CHIP R 0 OHM		
R88			RK73FB2A102J	CHIP R 1.0K J 1/10W		
R90			RK730B1J105J	CHIP R 1.0M J 1/16W		
R93	,94		R92-0670-05	CHIP R 0 OHM		
R95			R92-0679-05	CHIP R 0 OHM		
R96	-98		R92-0670-05	CHIP R 0 OHM		

L:Scandinavia

K:USA

P:Canada

Y:PX(Far East, Hawai)

T:England

E:Europe

W:AFES(Europe)

X:Australia

M:Other Areas

⚠ indicates safety critical components

PARTS LIST

* New Parts

Parts without Parts No. are not supplied.

Les articles non mentionnés dans le Parts No. ne sont pas fournis.

Teile ohne Parts No. werden nicht geliefert.

50M TX-RX UNIT (X67-3800-01)

Ref. No.	Address	New Parts	Parts No.	Description	Destination	Remarks
参照番号	位置	新	部品番号	部品名/規格	仕向	備考
R99			R92-1217-05	CHIP R 0		
R100-103			R92-0670-05	CHIP R 0 0HM		
R104			RK73FB2A472J	CHIP R 4.7K J 1/10W		
R105, 106			R92-0670-05	CHIP R 0 0HM		
R108			RK73FB2A102J	CHIP R 1.0K J 1/10W		
R109			RK73GB1J473J	CHIP R 47K J 1/16W		
R110			RK73FB2A221J	CHIP R 220 J 1/10W		
R111			R92-0670-05	CHIP R 0 0HM		
R112-114			R92-1252-05	CHIP R 0 0HM		
VR1			R12-6429-05	TRIM POT. 100K		
VR2			R12-6427-05	TRIM POT. 47K		
VR3			R12-6421-05	TRIM POT. 4.7K		
VR4			R12-6423-05	TRIM POT. 10K		
TS1			SS9-0444-05	THERMAL SWITCH(90°C)		
D1	2		MA77	DIODE		
D3	6		1SV228	DIODE		
D7			DAN235(K)	DIODE		
D8			1SS184	DIODE		
D9			DAN235(K)	DIODE		
D10			1SS181	DIODE		
D11			MI407	DIODE		
D12			MI308	DIODE		
D13	14		1SS226	DIODE		
D15			OSA3A1	DIODE		
D16	17		1SS184	DIODE		
IC1			BU4094BP	IC		
IC2		*	KCH10	IC(50MHZ VCO-PLL)		
IC3			KCAC4	IC(MIC AMP)		
IC4		*	KCB16	IC(DRIVE)		
IC5			KCC04	IC(APC)		
IC6			KCD04	IC(CM IF DET)		
IC7			LA5010M	IC(10V AVR)		
IC8		*	KCB19	IC(40-76MHZ FRONT)		
IC9			KCD05	IC(AM FM)		
Q1			3SK184(S)	FET		
Q2			3SK131(V12)	FET		
Q3			2SC2714(Y)	TRANSISTOR		
Q4			DTC144BK	DIGITAL TRANSISTOR		
Q5			DTC144BU	DIGITAL TRANSISTOR		
Q6	7		DTA114EK	DIGITAL TRANSISTOR		
Q8			2SC2714(Y)	TRANSISTOR		
Q9			2SJ106(GR)	FET		
Q10			2SA1362(Y)	TRANSISTOR		
Q11			2SB1119S	TRANSISTOR		
Q12			DTC144WK	デジタルトランジスタ		
Q13			FMW1	トランジスタ		
Q14			2SC2712(Y)	トランジスタ		
Q15	17		DTC144EK	デジタルトランジスタ		
Q18			2SD1757K	トランジスタ		
Q19			2SK206(Y)	FET		
Q20			2SC2714(Y)	トランジスタ		
Q21			2SC2712(Y)	トランジスタ		
Q22			FMG1	トランジスタ		
Q23			2SD1902R	トランジスタ		

L:Scandinavia K:USA P:Canada
 Y:PX(Far East, Hawaii) T:England E:Europe
 Y:AAFES(Europe) X:Australia M:Other Areas

△ indicates safety critical components.

PARTS LIST

* New Parts

Parts without Parts No. are not supplied.

Les articles non mentionnés dans le Parts No. ne sont pas fournis.

Teile ohne Parts No. werden nicht geliefert.

50M TX-RX UNIT (X57-3800-01)

50M SUB UNIT (X58-3840-03)

220M TX-RX UNIT (X57-3810-10)

Ref. No. 参照番号	Address 位置	New Parts 新	Parts No. 部品番号	Description 部品名/規格	Desti- nation 仕向	Re- marks 備考
Q24			2SC2712(Y)	トランジスタ		
Q25			DTA114EK	テンプト用トランジスタ		
Q26			DTC143BK	テンプト用トランジスタ		
Z1		*	X58-3840-03	SUB UNIT(50M 50M)		
50M SUB UNIT (X58-3840-03)						
C201			CC73FCH1H391J	CHIP C 390PF J		
C202			CC73FCH1H221J	CHIP C 220PF J		
C203			CK73FB1H471K	CHIP C 470PF K		
C204			CM73F2H910J	CHIP C 91PF J		
L201		*	L34-1357-05	コイル (2T)		
L202			L40-1001-19	コイル (10UH)		
Q201		*	2SC1972	トランジスタ		
Q202		*	MBF492	トランジスタ		
220M TX-RX UNIT (X57-3810-10)						
			A10-1316-01	CHASSIS		
			B42-2437-04	LABEL(S/N, UNIT)		
C5			CC73FCH1H030C	CHIP C 3PF C		
C7 -9			CK73FB1H102K	CHIP C 1000PF K		
C10			CK73FB1E103K	CHIP C 0.01UF K		
C11			CC73FCH1H0R5C	CHIP C 0.5PF C		
C12			CC73FCH1H560J	CHIP C 56PF J		
C14			CC73FCH1H0R5C	CHIP C 0.5PF C		
C15			CC73FCH1H120J	CHIP C 12PF J		
C17			CC73FCH1H120J	CHIP C 12PF J		
C18			CK73FB1H102K	CHIP C 1000PF K		
C19			CC73FCH1H060D	CHIP C 6PF D		
C20			CK73FB1H102K	CHIP C 1000PF K		
C21			CC73FCH1H060D	CHIP C 6PF D		
C22			CK73FB1E103K	CHIP C 0.01UF K		
C24			CK73FB1E103K	CHIP C 0.01UF K		
C25			CC45SL2H030C	CERAMIC 3.0PF C		
C26			CK73FB1H102K	CHIP C 1000PF K		
C29			CK73FB1E103K	CHIP C 0.01UF K		
C30			CC73FCH1H150J	CHIP C 15PF J		
C31			CK73FB1H102K	CHIP C 1000PF K		
C33			CK73FB1E104K	CHIP C 0.10UF K		
C34 ,35			CK73EF1C105Z	CHIP C 1.0UF Z		
C36 ,37			CK73FB1E103K	CHIP C 0.01UF K		
C44 ,45			CE04NW1C470M	ELECTRO 47UF 16WV		
C46			C92-05D4-05	CHIP TAN 0.68UF 20WV		
C47			CE04NW1C470M	ELECTRO 47UF 16WV		
C48			C92-0003-05	CHIP TAN 0.47UF 25WV		
C50			CE04NW1C470M	ELECTRO 47UF 16WV		
C51 ,52			CK73FB1E103K	CHIP C 0.01UF K		
C53 ,54			CK73FB1H102K	CHIP C 1000PF K		
C55			CK73EF1C105Z	CHIP C 1.0UF Z		
C56			CC73FUJ1H150J	CHIP C 15PF J		
C57			CK73FB1H102K	CHIP C 1000PF K		
C58			CC73FUJ1H200J	CHIP C 20PF J		
C59 ,60			CK73FB1H102K	CHIP C 1000PF K		
C61			CE04NW1C470M	ELECTRO 47UF 16WV		

L:Scandinavia

K:USA

P:Canada

Y:PK(Far East, Hawaii)


T:England

E:Europe

V:AAFES(Europe)

X:Australia

M:Other Areas

 indicates safety critical components.

PARTS LIST

* New Parts

Parts without Parts No. are not supplied.

Les articles non mentionnés dans le Parts No. ne sont pas fournis.

Teile ohne Parts No. werden nicht geliefert.

220M TX-RX UNIT (X57-3810-10)

Ref. No. 参照番号	Address 位置	New Parts 新	Parts No. 部品番号	Description 部品名/规格	Desti- nation 仕向	Re- marks 備考
C62			CK73FB1H102K	CHIP C 1000PF X		
C63			CK73FB1E103K	CHIP C 0.01UF K		
C64			CE04NW1E100M	ELECTRO 10UF 25WV		
C65			CE04NW1A330M	ELECTRO 33UF 10WV		
C66			CK73FB1E103K	CHIP C 0.01UF K		
C67			CK73FB1H102K	CHIP C 1000PF K		
C68 ,69			CC73FCH1H100D	CHIP C 10PF D		
C70			CK73FB1E103K	CHIP C 0.01UF K		
C71 -73			CK73FB1H102K	CHIP C 1000PF K		
C74			CK73FB1H223K	CHIP C 0.022UF K		
C75			CE04NW1C101M	ELECTRO 100UF 16WV		
C76			CK73EP1C105Z	CHIP C 1.0UF Z		
C77 ,78			CK73FB1H102K	CHIP C 1000PF K		
C79			CK73EP1C105Z	CHIP C 1.0UF Z		
C81			CC45SL2H180J	CERAMIC 18PF J		
C82			CK73FB1H102K	CHIP C 1000PF K		
C83			CK45B2H102K	CERAMIC 1000PF K		
C84			CC45SL2H040C	CERAMIC 4.0PF C		
C85			CC73FCH1H0R5C	CHIP C 0.5PF C		
C86			CC73FCH1H0R5C	CHIP C 0.5PF C		
C87			CC73FCH1H020C	CHIP C 2.0PF C		
C88			CC45SL2H220J	CERAMIC 22PF J		
C89			CC45SL2H180J	CERAMIC 18PF J		
C90 -92			CK73FB1H102K	CHIP C 1000PF K		
C93			CC73FCH1H0R5C	CHIP C 0.5PF C		
C94			CK73F2H050D	CHIP C 5.0PF D		
C95			CC73FCH1H020C	CHIP C 2.0PF C		
C96			CK73FB1E103K	CHIP C 0.01UF K		
C97			CC73FCH1H150J	CHIP C 15PF J		
C98			CK73FB1H102K	CHIP C 1000PF K		
C99			CE04NW1E100M	ELECTRO 10UF 25WV		
C100			CC73FCH1H010C	CHIP C 1PF C		
C101			CE04NW1E100M	ELECTRO 10UF 25WV		
C102			CC73FCH1H470J	CHIP C 47PF J		
C103			CK73FB1H102K	CHIP C 1000PF K		
C104			CK73FB1E103K	CHIP C 0.01UF K		
C105			CK73FB1H223K	CHIP C 0.022UF K		
C106			CC73FCH1H470J	CHIP C 47PF J		
C108			CC73FCH1H390J	CHIP C 39PF J		
C109,110			CK73FB1H102K	CHIP C 1000PF K		
C111			CK73FB1E103K	CHIP C 0.01UF K		
C112			CE04NW1A221M	ELECTRO 220UF 10WV		
C113			CC73FSL1H100D	CHIP C 10PF D		
C114,115			CC73FSL1H101J	CHIP C 100PF J		
C116			CC73FCH1H060D	CHIP C 6PF D		
C119			CE04NW1E100M	ELECTRO 10UF 25WV		
C120-127			CC73FSL1H101J	CHIP C 100PF J		
C128,129			CK73FB1H102K	CHIP C 1000PF K		
C130			CE04EW1C102M	ELECTRO 1000UF 16WV		
C131			CC73FCH1H070D	CHIP C 7PF D		
C133			CC73FCH1H100D	CHIP C 10PF D		
C134			CK73FB1E103K	CHIP C 0.01UF K		
C135-137			CK73FB1H102K	CHIP C 1000PF K		
C140			CC73FCH1H010C	CHIP C 1PF C		
T01			005-0371-05	TRIM CAP 10PF		

L:Scandinavia

K:USA

P:Canada

Y:PX(Far East, Hawaii)

T:England

E:Europe

Y:AFES(Europe)

X:Australia

M:Other Areas

⚠ indicates safety critical components

PARTS LIST

* New Parts

Parts without Parts No. are not supplied.

Les articles non mentionnés dans le Parts No. ne sont pas fournis.

Teil ohne Parts No. werden nicht geliefert.

220M TX-RX UNIT (X57-3810-10)

Ref. No. 参照番号	Address 位置	New Parts 新	Parts No. 部品番号	Description 部品名 / 規格	Desti- nation 仕 向	Re- marks 備考
CN1 ,2 J1 J2			E22-0673-04	TERMINAL BOARD(+)		
			E30-3009-05	ANT. CABLE		
			E40-5461-05	PIN ASSY		
			E11-0442-05	PHONE JACK		
			E23-0619-05	TERMINAL(TP)		
			F10-1446-04	SHIELDING PLATE		
			F10-2010-03	SHIELDING COVER		
			F10-2012-04	SHIELDING PLATE(VCO-PLL)		
			F20-1008-04	INSULATING SHEET(AFC)		
			G02-0600-14	FLAT SPRING(THERMAL SWITCH)		
			G02-0705-04	FLAT SPRING		
			G02-0715-04	FLAT SPRING(APC TR)		
			G02-0716-04	FLAT SPRING(VCO)		
			G11-0655-04	SHEET(CN1,CN2 55X8)		
			CD1 CF1 L1 -4 L5 L6			
G11-0661-04	INSULATING SHEET(APC TR)					
G13-0841-04	CUSHION(XTAL)					
G13-1337-04	CUSHION(VCO)					
G13-1349-04	CUSHION(VCO 22X7)					
G13-1351-04	CUSHION(55X8)					
J42-0471-04	DC CORD BUSHING					
L79-1013-05	FILTER					
L72-0372-05	CERAMIC FILTER(CPWH455F)					
L34-4279-05	COIL(1ST IP)					
L10 L11 L12 L13 L14			L40-1082-19	SMALL FIXED INDUCTOR(0.10H)		
			L34-4280-05	COIL		
			L40-1582-19	SMALL FIXED INDUCTOR(0.15UH)		
			L34-1239-05	COIL		
			L34-1207-05	COIL		
			L34-1208-05	COIL		
			L34-0908-05	COIL		
L15 ,16 L19 L20 L21 L22			L34-0641-05	COIL		
			L40-8272-48	SMALL FIXED INDUCTOR(82NH)		
			L40-1001-19	SMALL FIXED INDUCTOR(10UH)		
			L40-1092-19	SMALL FIXED INDUCTOR(1UH)		
			L40-3372-48	SMALL FIXED INDUCTOR(33NH)		
X1 X2 X71			L77-1405-05	CRYSTAL RESONATOR(12.8MHZ)		
			L77-1463-05	CRYSTAL RESONATOR(30.37MHZ)		
			L71-0420-05	CRYSTAL FILTER(30.625MHZ)		
R5 R6 R7 R8 R9			N09-2077-05	SCREW(MODULE)		
			N87-2606-46	BRAZIER HEAD TAPTITE SCREW		
			N88-2606-46	FLAT HEAD TAPTITE SCREW		
R10 -12 R13 R14 R18 R19			RK73FB2A333J	CHIP R 33K J 1/10W		
			RK73FB2A104J	CHIP R 100K J 1/10W		
			RK73FB2A101J	CHIP R 100 J 1/10W		
			RK73FB2A103J	CHIP R 10K J 1/10W		
			RK73FB2A101J	CHIP R 100 J 1/10W		
			RK73FB2A104J	CHIP R 100K J 1/10W		
			RK73FB2A473J	CHIP R 47K J 1/10W		
RK73FB2A103J	CHIP R 10K J 1/10W					
RK73FB2A151J	CHIP R 150 J 1/10W					
R92-0670-05	CHIP R 0 OHM					

L:Scandinavia

K:USA

P:Canada

Y:PX(Far East, Hawaii)

T:England

E:Europe

Y:AAFS(Europe)

X:Australia

M:Other Areas

 indicates safety critical components.

PARTS LIST

* New Parts

Parts without Parts No. are not supplied

Les articles non mentionnés dans le Parts No. ne sont pas fournis.

Teile ohne Parts No. werden nicht geliefert.

220M TX-RX UNIT (X57-3810-10)

Ref. No. 参照番号	Address 位置	New Parts 新	Parts No. 部品番号	Description 部品名 / 規格	Desti- nation 仕 向	Re- marks 備考
R20			RK73FB2A122J	CHIP R 1.2K J 1/10W		
R21			RK73FB2A471J	CHIP R 470 J 1/10W		
R22			RK73FB2A101J	CHIP R 100 J 1/10W		
R23			RK73FB2A103J	CHIP R 10K J 1/10W		
R24			RK73FB2A473J	CHIP R 47K J 1/10W		
R25			RK73FB2A103J	CHIP R 10K J 1/10W		
R31			RK73FB2A394J	CHIP R 390K J 1/10W		
R32			RK73FB2A103J	CHIP R 10K J 1/10W		
R33	34		R92-0670-05	CHIP R 0 OHM		
R35			RK73FB2A222J	CHIP R 2.2K J 1/10W		
R36			RK73FB2A101J	CHIP R 100 J 1/10W		
R37			R92-0670-05	CHIP R 0 OHM		
R38			RK73FB2A182J	CHIP R 1.8K J 1/10W		
R39	41		RK73FB2A103J	CHIP R 10K J 1/10W		
R42			RK73FB2A182J	CHIP R 1.8K J 1/10W		
R43			RK73FB2A223J	CHIP R 22K J 1/10W		
R44			RK73FB2A273J	CHIP R 27K J 1/10W		
R45			RK73FB2A473J	CHIP R 47K J 1/10W		
R46			RK73FB2A472J	CHIP R 4.7K J 1/10W		
R47			R92-0670-05	CHIP R 0 OHM		
R49			RK73FB2A223J	CHIP R 22K J 1/10W		
R50			RK73FB2A124J	CHIP R 120K J 1/10W		
R52	54		RK73FB2A473J	CHIP R 47K J 1/10W		
R55			RK73FB2A471J	CHIP R 470 J 1/10W		
R56			RK73FB2A104J	CHIP R 100K J 1/10W		
R57			RK73FB2A105J	CHIP R 1.0M J 1/10W		
R59			R92-0670-05	CHIP R 0 OHM		
R60			RK73FB2A103J	CHIP R 10K J 1/10W		
R61			RK73FB2A471J	CHIP R 470 J 1/10W		
R62			R92-0670-05	CHIP R 0 OHM		
R63	64		RK73FB2A222J	CHIP R 2.2K J 1/10W		
R65	66		R92-0670-05	CHIP R 0 OHM		
R67			RK73FB2A122J	CHIP R 1.2K J 1/10W		
R68			RK73FB2A220J	CHIP R 22 J 1/10W		
R69			RK73FB2A102J	CHIP R 1.0K J 1/10W		
R71			R92-0670-05	CHIP R 0 OHM		
R73			RK73FB2A104J	CHIP R 100K J 1/10W		
R74			R92-0670-05	CHIP R 0 OHM		
R75			RK73FB2A392J	CHIP R 3.9K J 1/10W		
R76	77		R92-0670-05	CHIP R 0 OHM		
R78			R92-1213-05	CARBON 100 J 1/2W		
R79	80		RK73FB2A223J	CHIP R 22K J 1/10W		
R81			RK73FB2A471J	CHIP R 470 J 1/10W		
R82			R92-0699-05	SOLID 10 1/2W		
R83	86		R92-0670-05	CHIP R 0 OHM		
R89			RK73FB2A332J	CHIP R 3.3K J 1/10W		
R90			RK73FB2A221J	CHIP R 220 J 1/10W		
R91			RK73FB2A473J	CHIP R 47K J 1/10W		
R92	93		RK73FB2A104J	CHIP R 100K J 1/10W		
R98			RK73FB2A223J	CHIP R 22K J 1/10W		
R99			RK73FB2A103J	CHIP R 10K J 1/10W		
R100			R92-0670-05	CHIP R 0 OHM		
R101			RK73FB2A102J	CHIP R 1K J 1/10W		
VR1			R12-6429-05	TRIMMING POT. 100K		
VR2			R12-6427-05	TRIM POT. 47K		

L:Scandinavia

K:USA

P:Canada

V:PK(Far East, Hawaii)

T:England

E:Europe

W:WAFES(Europe)

X:Australia

M:Other Areas

⚠ indicates safety critical components

PARTS LIST

* New Parts

Parts without Parts No. are not supplied.

Les articles non mentionnés dans le Parts No. ne sont pas fournis.

Teile ohne Parts No. werden nicht geliefert.

220M TX-RX UNIT (X57-3810-10)

Ref. No. 参照番号	Address 位置	New Parts 新	Parts No. 部品番号	Description 部品名 / 規格	Desti- nation 仕向	Re- marks 備考
VR3 ,4			R12-6423-05	TRIM POT. 10K		
TS1			S79-0401-05	THERMAL SWITCH(95°C)		
D3			1SV164	DIODE		
D5			1SV164	DIODE		
D7			1SV164	DIODE		
D11 ,12			1SS184	DIODE		
D13			DAN235(K)	DIODE		
D14			1SS181	DIODE		
D15			MI407	DIODE		
D16			MI308	DIODE		
D17 ,18			1SS226	DIODE		
D19			DSA3A1	DIODE		
D20			1SV164	DIODE		
IC1			BU40948P	IC		
IC2			LA5009M	IC		
IC3			KCC04	IC(PM IF)		
IC7			KCA04	IC(MIC AMP)		
IC8		*	KCB15	IC(DRIVE)		
IC9			KCC04	IC(APC)		
IC10			M5772	IC(POWER MODULE)		
IC11		*	KCH08	IC(220PLL-VC0)		
Q1 ,2			3SK184(S)	FET		
Q3			2SC2714(Y)	TRANSISTOR		
Q10			2SA1362(Y)	TRANSISTOR		
Q11			2SB119S	TRANSISTOR		
Q12			DTC144WK	DIGITAL TRANSISTOR		
Q13 ,14			2SC2712(Y)	TRANSISTOR		
Q15 -17			DTC144EK	DIGITAL TRANSISTOR		
Q18			2SD1757(K)	TRANSISTOR		
Q19			2SK208(Y)	FET		
Q20			2SC2714(Y)	TRANSISTOR		
Q21			2SC2712(Y)	TRANSISTOR		
Q22			FMG1	TRANSISTOR		
Q23			2SD1902R	TRANSISTOR		
Q24			2SJ106(GR)	FET		

Downloaded by
 Amateur Radio Directory

www.hamdirectory.info

L:Scandinavia

K:USA

P:Canada

Y:PX(Far East, Hawaii)

T:England

E:Europe

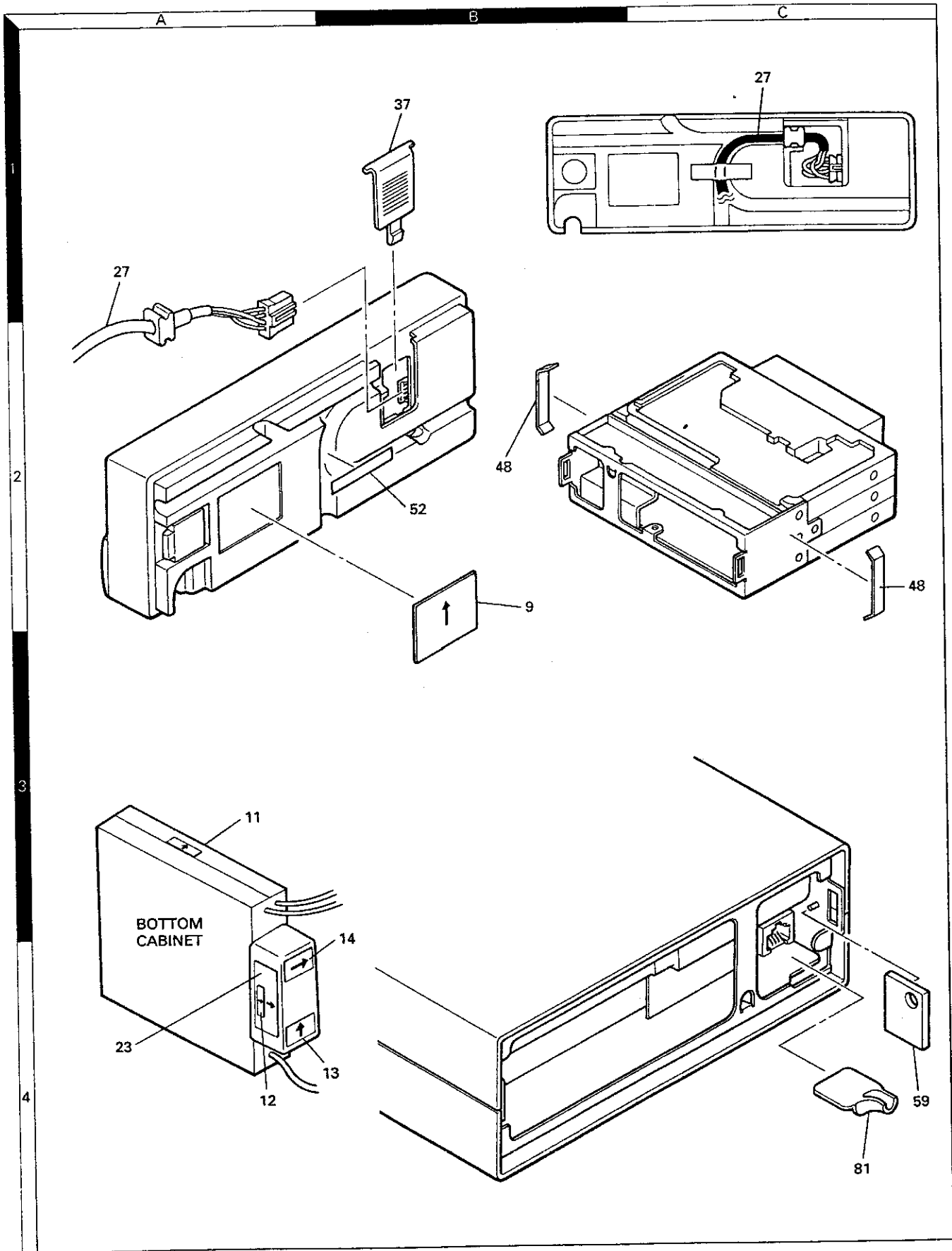
Y:AAFES(Europe)

X:Australia

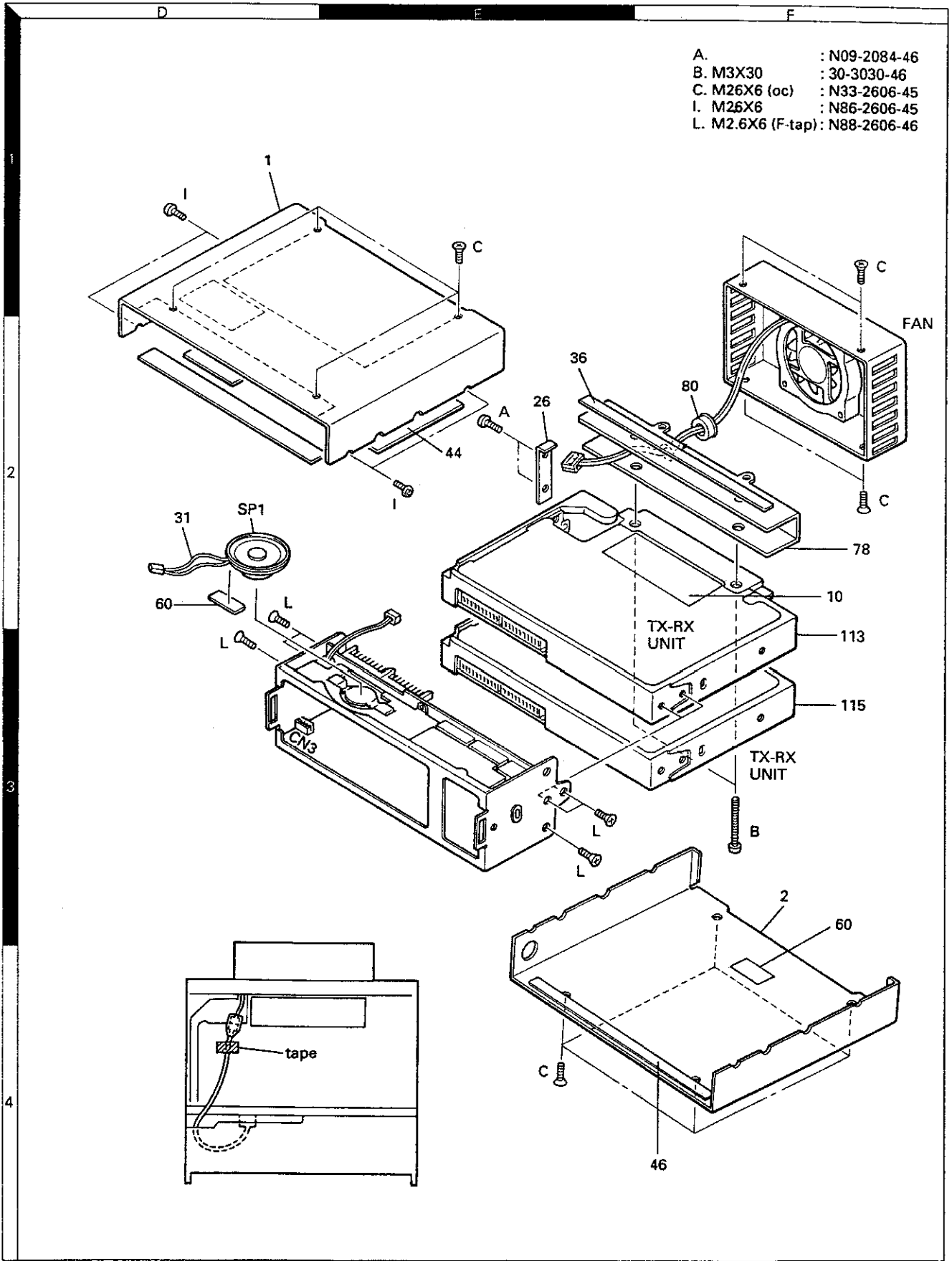
M:Other Areas

indicates safety critical components.

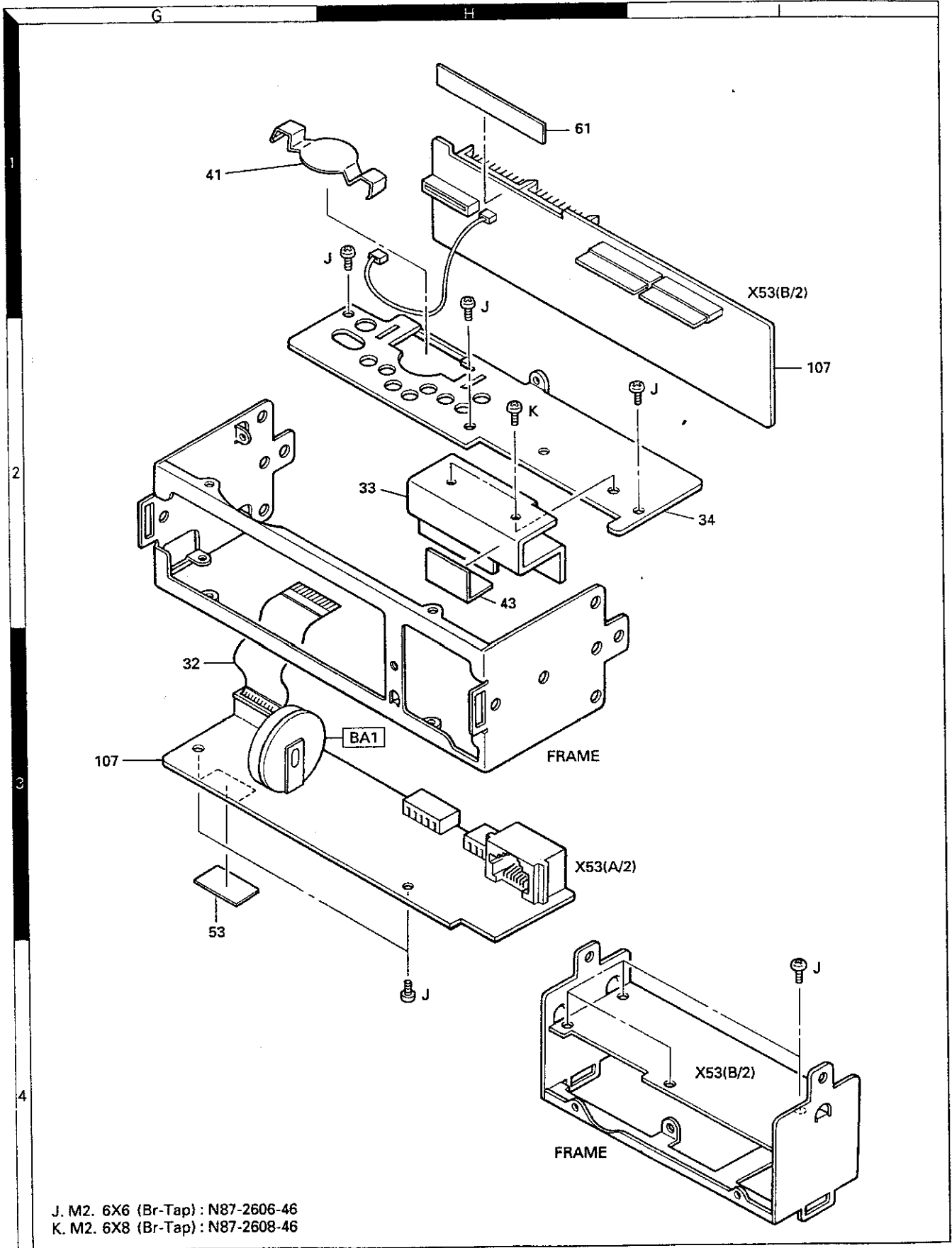
EXPLODED VIEW



EXPLODED VIEW

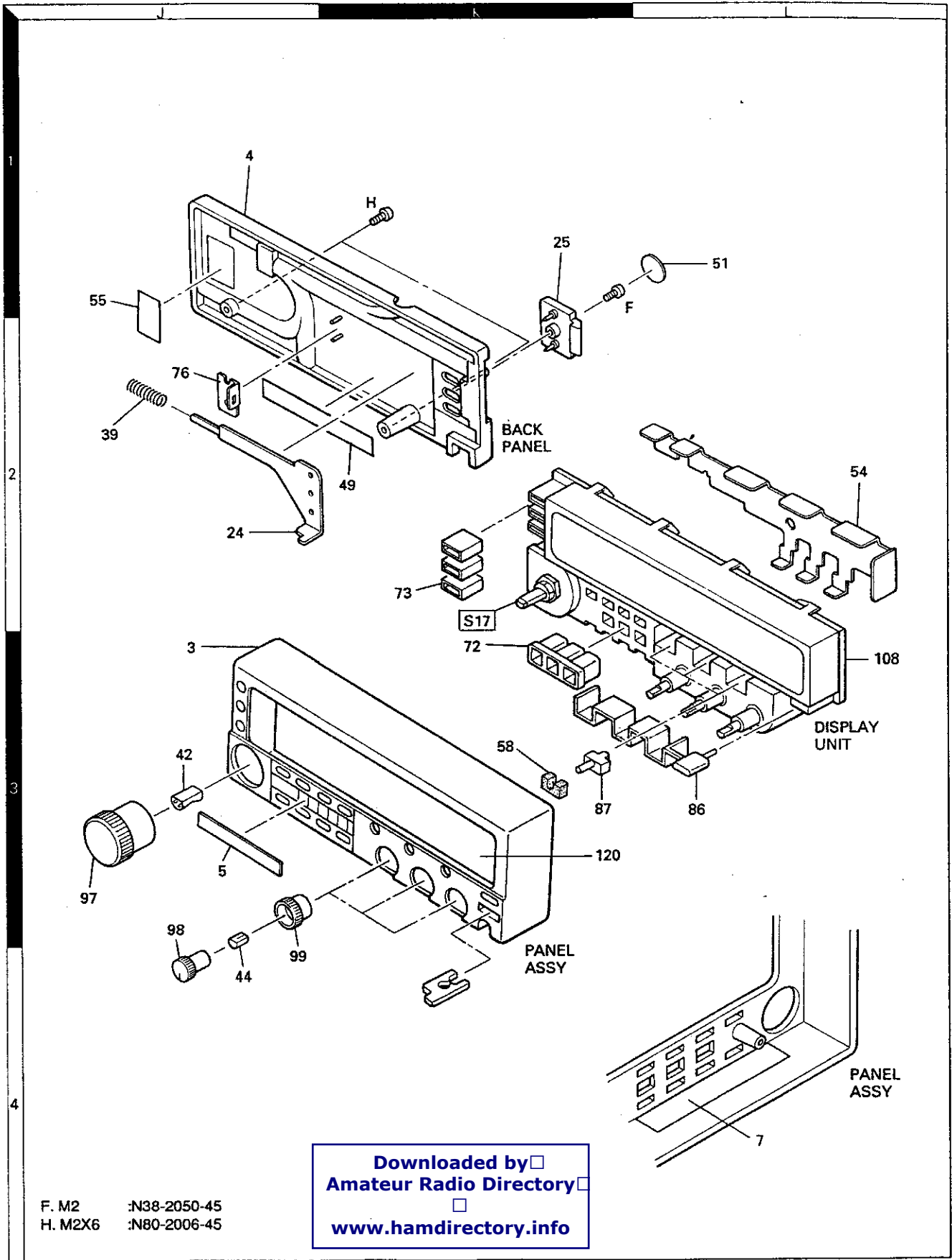


EXPLODED VIEW



J. M2. 6X6 (Br-Tap) : N87-2606-46
K. M2. 6X8 (Br-Tap) : N87-2608-46

EXPLODED VIEW



Downloaded by Amateur Radio Directory
www.hamdirectory.info

F. M2 :N38-2050-45
H. M2X6 :N80-2006-45

EXPLODED VIEW

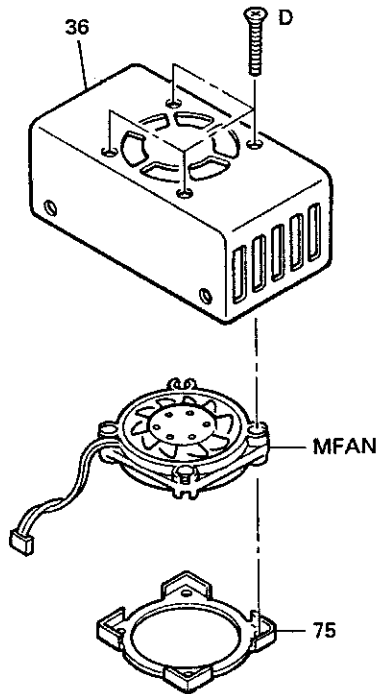
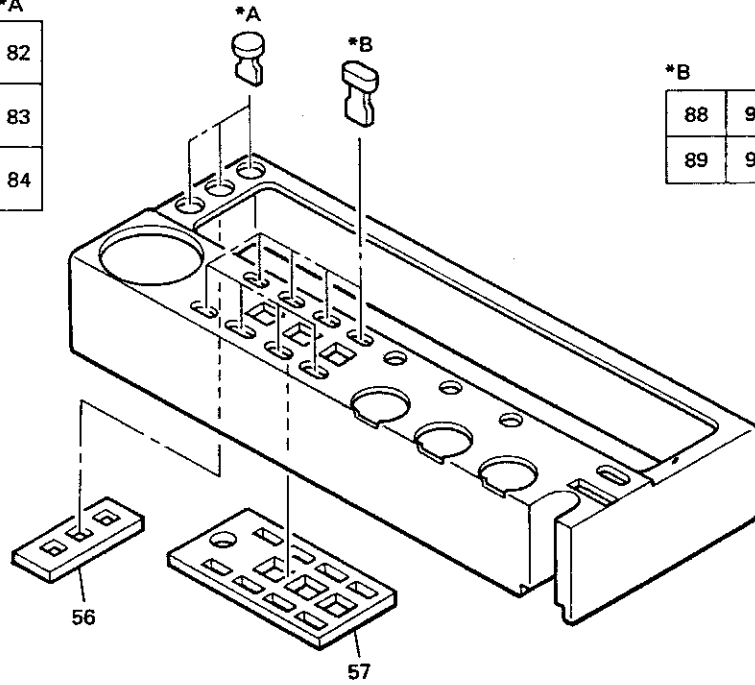
M N O

*A

82
83
84

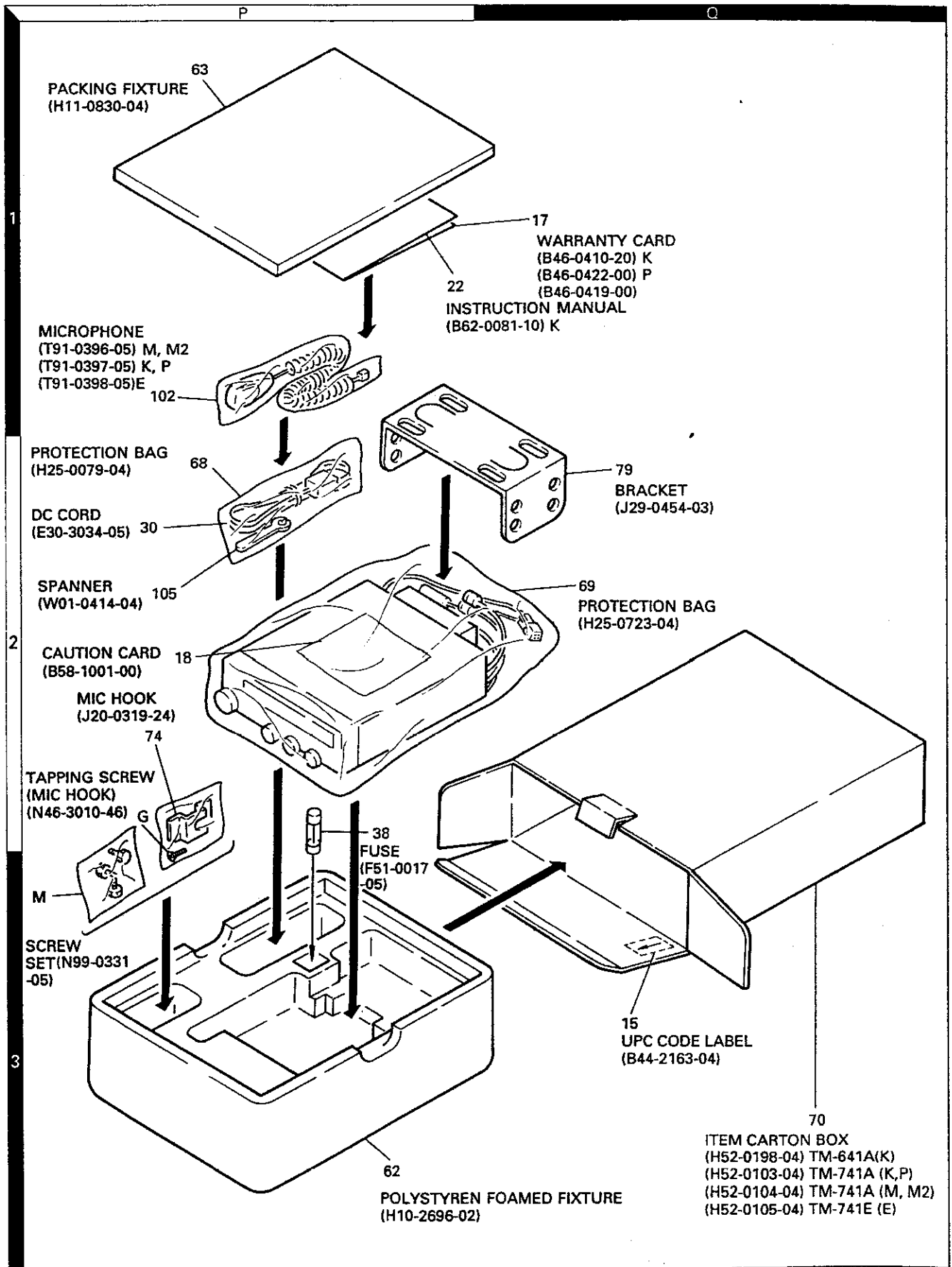
*B

88	96	92	94
89	91	93	95



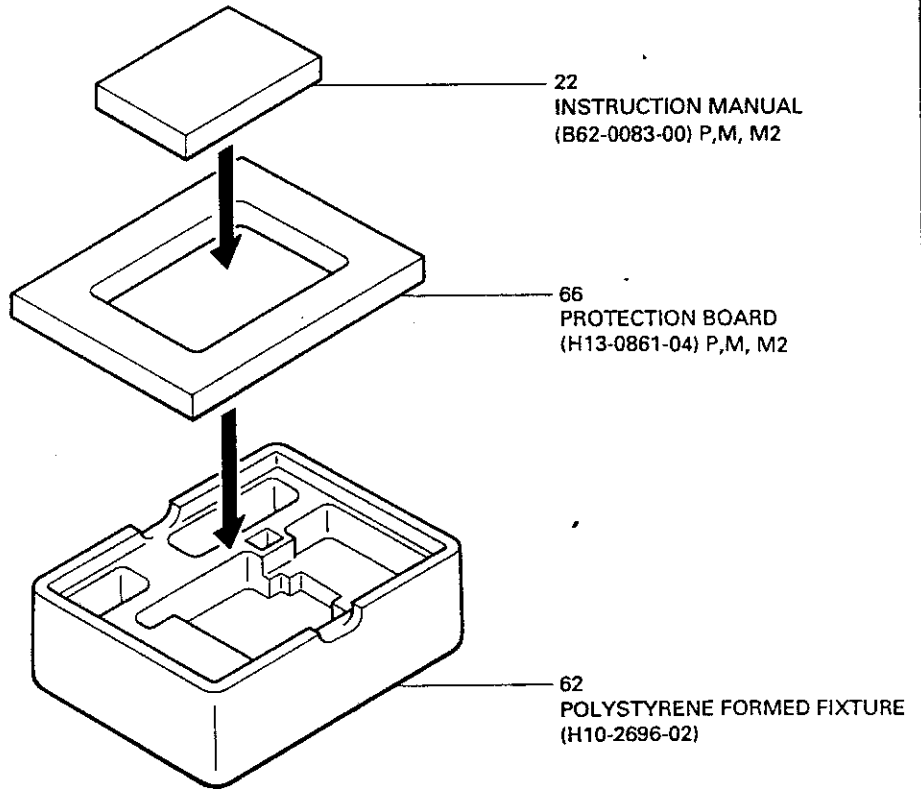
D. M2. 6X14(0C) : N33-2614-14

PACKING (MAIN UNIT)

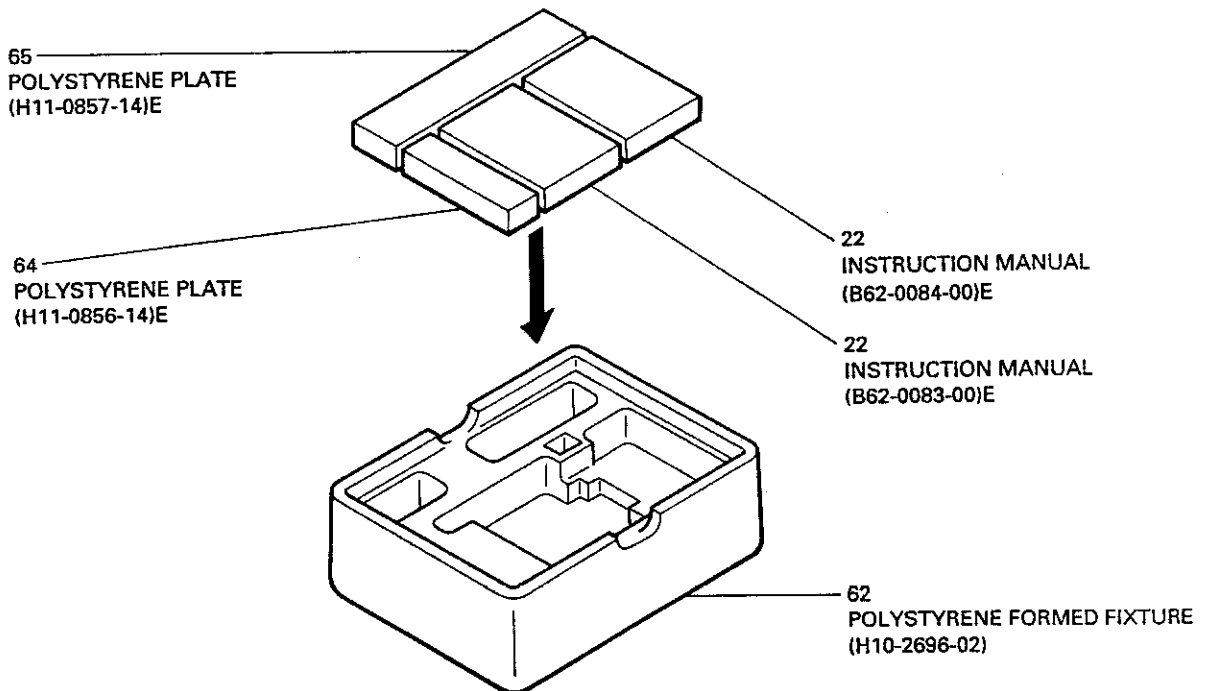


PACKING (MAIN UNIT)

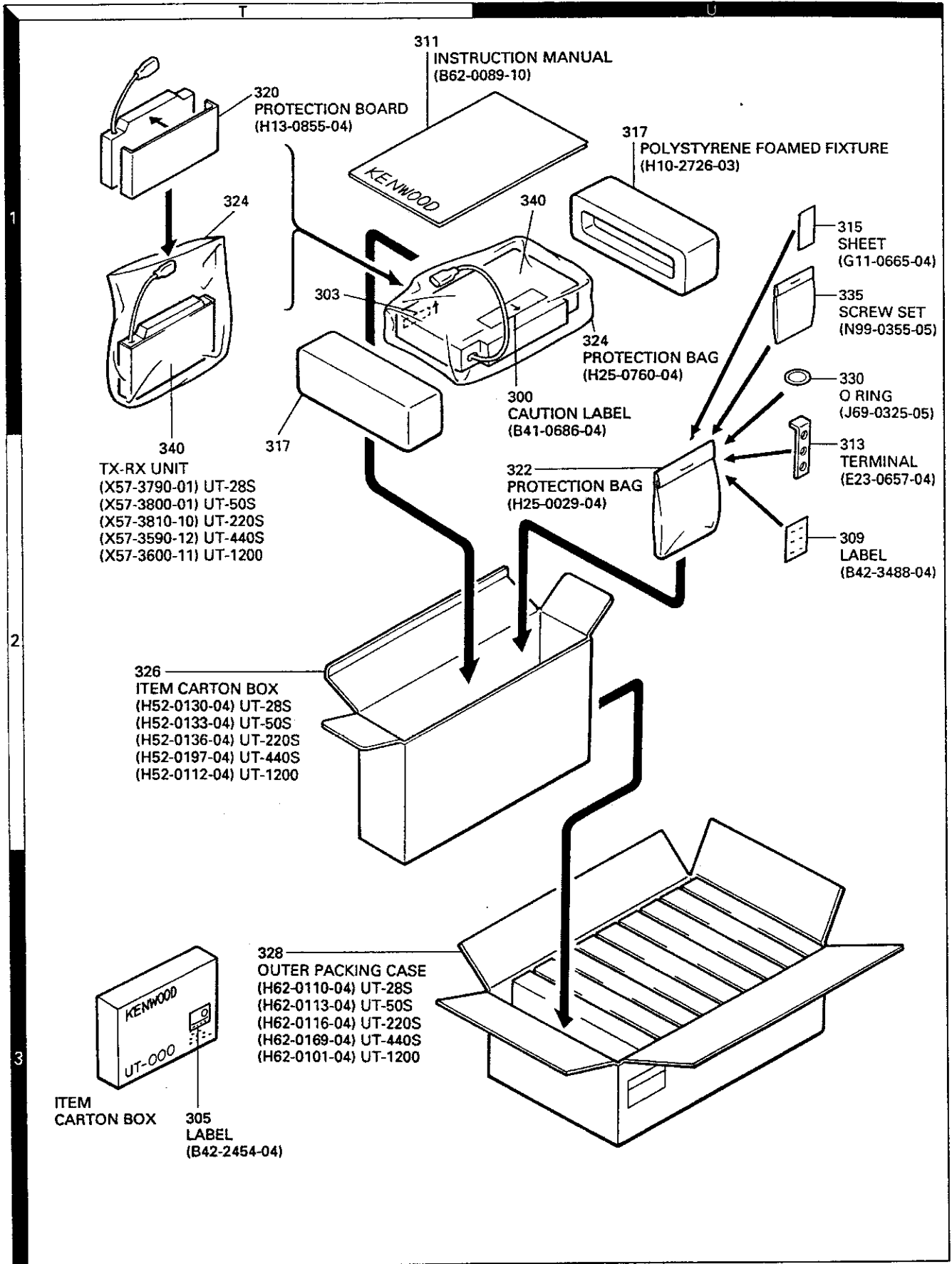
TM-741A



TM-741E



PACKING (OPTIONAL BAND UNIT)



ADJUSTMENT

Required Test Equipment

1. Tester and DC V.M
Use a tester with high input impedance.
2. RF VTVM (RF VM)
Input impedance: 1 M ohms or more, 2 pF or less
Voltage range: FS = 10 mV to 300 V
Measurable frequency: 1,300 MHz (maximum)
3. Frequency counter (F counter)
Input sensitivity: Approximately 50 mV
Measurable frequency: 1,300 MHz or more
4. DC power supply
Voltage: 10 to 17 V (variable)
Current: 12 A or more
5. Power meter
Power measurement ranges: 100 W, 50 W, and 15 W
Input impedance: 50 ohms
Measurable frequency: 1,300 MHz
6. AF vacuum voltmeter (AF VM)
Input impedance: 1 M ohms or more
Voltage range: FS= 1 mV to 30 V
Measurable frequency: 50 Hz to 10 kHz
7. AF generator (AG)
Output frequency: 100 Hz to 10 kHz
Output voltage: 0.5 mV to 1 V
8. Linear detector
Measurable frequency: 1,300 MHz
9. Spectrum analyzer
Measurable frequency: 1,300 MHz
10. Directional coupler
11. Oscilloscope
Use a high-sensitivity oscilloscope with horizontal input socket.
12. SSG
Use an SSG that produces a frequency of 20 to 1,300 MHz with amplitude and frequency modulation.
Output level: 0.1µV to 100 mV
13. Dummy resistor
Use an 8-ohm resistor exceeding the rated value in each band.

14. Noise generator
Use a noise generator whose output contains a high-frequency component of more than 1,300 MHz (near ignition noise).
15. Sweep generator
Use a sweep generator that can sweep the 1,300 MHz band.
16. Tracking generator

Preparation

- Set controls to the position shown in Table 22 unless otherwise specified.

POWER SW	ON	CALL SW	OFF
AF VOL VR	MIN	SHIFT, AGC	OFF
SQL VOL VR	MIN	TONE, SHIFT	OFF
MR/M	OFF	REV, STEP	OFF
VFO, MR/M	VFO	DTSS	OFF

Table 22

(When viewed from the front of the set)

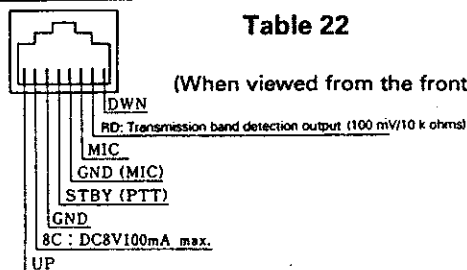


Fig. 43 Microphone Socket (on Front Panel)

- Use an insulated tool such as a plastic tool during adjustment (especially trimmer coil adjustment).
- For SSG protection, do not connect a microphone to the microphone socket during receiver block adjustment.
- check that the power switch is off before the power cord is connected.
- The SSG output level is displayed at the release end.
- Check that the display and LCD display are shown in Figure 44 after controls are set as in shown in Table 22.

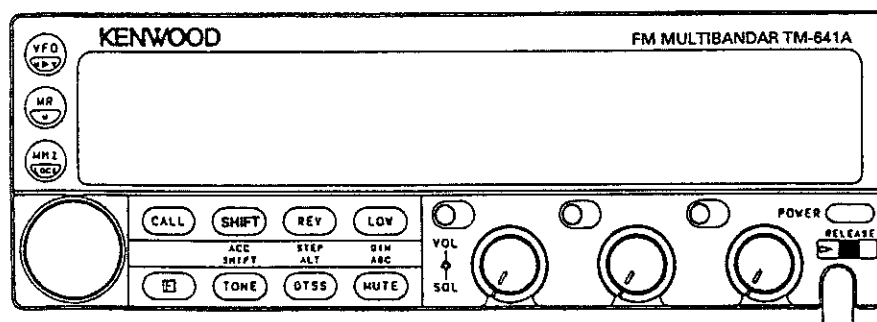


Fig. 44

ADJUSTMENT

● 144 MHz Band (TM-641A, 741A/E)

Common Section Adjustment

Item	Condition	Measurement point			Adjustment point			Specification
		Test equipment	Unit	Terminal	Unit	Parts	Method	
1. Lock voltage check	1. Frequency: 144.040MHz Receive	Digital voltmeter	TX-RX	TP2			Check the lock voltage.	1.8 ~ 3.0 V

The DC power supply must be set to the rated voltage.

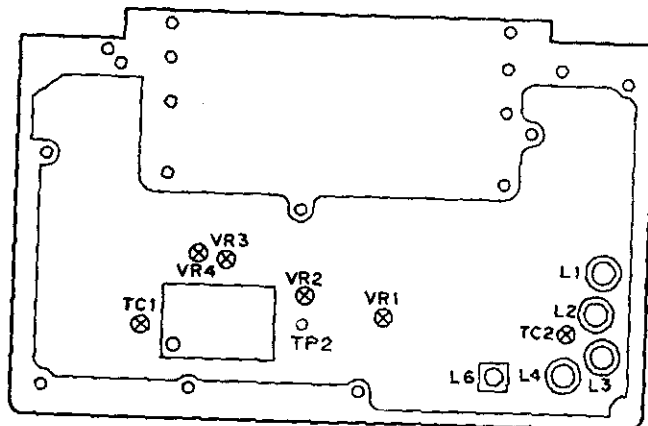
Receiver Section Adjustment

Item	Condition	Measurement point			Adjustment point			Specification
		Test equipment	Unit	Terminal	Unit	Parts	Method	
1. Bandpass filter (BPF) adjustment	1. Frequency: 144.040MHz SSG output: 0 dB μ Modulation: 1 KHz Deviation: 3 KHz Receive	Digital voltmeter SSG			TX-RX	L1-4	Adjust so that the voltmeter reading is maximum.	Voltmeter reading is maximum.
2. Receive sensitivity	1. Frequency: 144.040 MHz 145.940 MHz 147.940 MHz SSG output: -9 dB μ Modulation: 1 KHz Deviation: 3 KHz	Distortion meter Millivoltmeter Oscilloscope SSG	Rear panel	EXT.SP			Check	12 dB SINAD or more
	2. AM sensitivity (K and P models only) Frequency: 118.040 MHz SSG output: 25 dB μ Modulation: 1 KHz Deviation: 30%						Press the MHz key and check that the frequency is set to 118.040 with an encoder.	12 dB SINAD or more
	Press the MR key							
3. Distortion factor	1. Frequency: 145.940 MHz SSG output: 40 dB μ Modulation: 1 KHz Deviation: 3 KHz AF output: 4V/8 ohms	Distortion factor Oscilloscope SSG	Rear panel	EXT.SP	TX-RX	L6	Minimize the distortion factor.	5% or less
4. Signal strength meter adjustment	1. Frequency: 145.940 MHz SSG output: 22dB μ Modulation: 1 KHz Deviation: 3 KHz	SSG			TX-RX	VR1	Adjust so that all LEDs go on, then one LED goes off.	
	2 SSG output: 23 dB μ						Adjust the SSG output so that all signal strength meter LEDs go on.	The SSG output is 20 \pm 6 dB μ
5. Squelch check	1. Frequency: 145.940 MHz SSG output: Off Modulation: 1 KHz Deviation: 3 KHz	SSG	Rear panel	EXT.SP			1. Set the SQL knob to the closed position when the SSG output is off.	The SQL knob position is between 8 o'clock and 11 o'clock. The BUSY LED goes off.
	2 SSG output: -14dB μ							The squelch is open. the BUSY LED goes on.

ADJUSTMENT

Transmitter Section Adjustment

Item	Condition	Measurement point			Adjustment point			Specification
		Test equipment	Unit	Terminal	Unit	Parts	Method	
1. Power adjustment	1. Maximum power check Frequency: 136.000 MHz 145.980 MHz 147.980 MHz Transmit	Powermeter Ammeter	Rear Panel	ANT	TX-RX	VR3	Check	57 W or more
	2. High-power adjustment Transmit				TX-RX	VR3	Adjust. 54W	46 to 59 W (11.5 A or less)
	3. Medium-power adjustment Transmit				TX-RX	VR4	Adjust. 12W	10 to 14 W
	4. Low-power check Transmit						Check	3 to 8 W
2. Deviation adjustment	1. Frequency: 145.980 MHz AG: 1 KHz, 50 mV (K,P, M,M2) 25 mV (E) Filter: <input type="checkbox"/> 25K <input type="checkbox"/> 15K Transmit	DC detector Oscilloscope	Rear Panel	ANT	TX-RX	VR2	Adjust (in the higher + or - direction). 4.2 KHz	± 4.0 to 5.0 KHz
	2. Frequency: 145.980 MHz AG: 1 KHz, 5.0 mV (K,P, M,M2) 2.5 mV (E) Transmit						Check	± 2.2 to 3.6 KHz
3. Tone check	1. Frequency: 145.220 MHz Tone: On Transmit	DC detector Oscilloscope	Rear Panel	ANT			Check	± 0.5 to 1.5 KHz
4. Protection check	1. Frequency: 147.980 MHz Antenna: Open Transmit	Ammeter					Check	12.0 A or less
5. Frequency check	1. Frequency: 145.980 MHz Transmit	Frequency counter Powermeter			TX-RX	TC1	145.980 MHz	± 100 Hz



Note: Use an adjustment tool with a ceramic or plastic tip 1.5 mm square for L1 through L4.

Fig. 45 144 MHz band adjustment: Component layout (upper view)

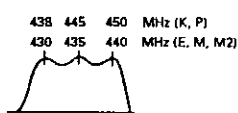
ADJUSTMENT

● 430/440 MHz Band (TM-740A/E, UT-440S)

Common Section adjustment

Item	Condition	Measurement point			Adjustment point			Specification
		Test equipment	Unit	Terminal	Unit	Parts	Method	
1. Lock voltage check	1. Frequency: 468.000 MHz Receive	Digital voltmeter	TX-RX	TP2			Check the lock voltage.	7.5 ~ 9.1 V (K, P) 7.0 ~ 9.5 V (E, M, M2)

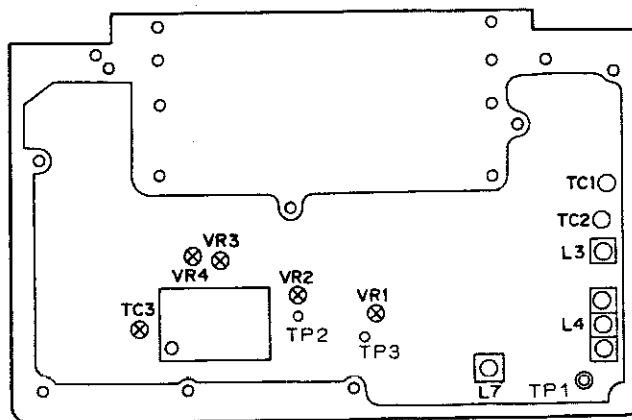
Receiver Section Adjustment

Item	Condition	Measurement point			Adjustment point			Specification
		Test equipment	Unit	Terminal	Unit	Parts	Method	
1. Helical scanning adjustment	1. Frequency: 445.050 MHz (K and P) 435.050 MHz (E, M, M2) Spectrum analyzer: Center of above frequency Tracking generator: Output: -30 dBm	Digital voltmeter Spectrum analyzer Tracking generator			TX-RX	TC1, TC2, L3, L4X3	 <p>Adjust each frequency as shown in the figure.</p>	
2. Receive sensitivity	1. Frequency: 445.050 MHz (K and P) 435.050 MHz (E, M, M2) SSG output: -9 dBμ Modulation: 1 KHz Deviation: 3 KHz	Distortion meter Millivoltmeter Oscilloscope SSG	Rear panel	EXT.SP			Check	12 dB SINAD or more
3. Distortion factor	1. Frequency: 445.050 MHz (K and P) 435.050 MHz (E, M, M2) SSG output: 40 dBμ Modulation: 1 KHz Deviation: 3 KHz AF output: 4 V/8 ohms	Distortion meter Oscilloscope SSG	Rear panel	EXT.SP	TX-RX	L7	Minimize the distortion factor.	5% or less
4. Signal strength meter adjustment (check)	1. Frequency: 445.050 MHz (K and P) 435.050 MHz (E, M, M2) SSG output: 23 dBμ Modulation: 1 KHz Deviation: 3 KHz	SSG			TX-RX	VR1		Adjust so that all LEDs go on, then one LED goes off.
	2. SSG output: 24 dBμ						Adjust the SSG output so that all signal strength meter LEDs go on.	The SSG output is 20 ± 6 dBμ.
5. Squelch check	1. Frequency: 445.050 MHz (K and P) 435.050 MHz (E, M, M2) SSG output: Off Modulation: 1 KHz Deviation: 3 KHz	SSG	Rear panel	EXT.SP			1. Set the SQL knob to the closed position when the SSG output is off.	The knob position is between 8 o'clock and 11 o'clock. The BUSY LED goes off.
	2. SSG output: -14 dBμ							The squelch is open. The BUSY LED goes on.

ADJUSTMENT

Transmitter Section Adjustment

Item	Condition	Measurement point			Adjustment point			Specification
		Test equipment	Unit	Terminal	Unit	Parts	Method	
1. Power adjustment	1. Maximum power check Frequency: 445.000 MHz (K and P) 435.000 MHz (E, M, M2) Transmit	Powermeter Ammeter	Rear panel	ANT	TX-RX	VR3	Check	38 W or more
	2. High power adjustment Frequency: 445.000 MHz (K and P) 435.000 MHz (E, M, M2) Transmit				TX-RX	VR3	Adjust. 37W	31 to 42 W (10 A or less)
	3. Medium power adjustment Frequency: 445.000 MHz (K and P) 435.000 MHz (E, M, M2) Transmit				TX-RX	VR4	Adjust. 13W	10 to 14 W
	4. Low power check Frequency: 445.000 MHz (K and P) 435.000 MHz (E, M, M2) Transmit						Check	3 to 8 W
2. Deviation adjustment	1. Frequency: 445.000 MHz (K and P) 435.000 MHz (E, M, M2) AG: 1 KHz, 50 mV (K, P, M, M2) 25 mV (E), Filter: 25 15K Transmit	DC detector Oscilloscope	Rear panel	ANT	TX-RX	VR2	Adjust (ig the higher + or - direction), 4.2 KHz	± 4.0 to 5.0 KHz
	2. Frequency: 445.000 MHz (K and P) 435.000 MHz (E, M, M2) AG: 1 KHz, 5.0 mV (K, P, M, M2) 2.5 mV (E) Transmit						Check	± 2.2 to 3.6 KHz
3. Tone check	1. Frequency: 438.200 MHz (E, M, M2) 448.200 MHz (K, P) Tone: On Transmit	DC detector Oscilloscope	Rear panel	ANT			Check	± 0.5 to 1.5 KHz
4. Protection check	1. Frequency: 449.980 MHz (K and P) 439.980 MHz (E, M, M2) Antenna: Open Transmit	Ammeter					Check	10 A or less
5. Frequency check	1. Frequency: 445.000 MHz (K and P) 435.000 MHz (E, M, M2) Transmit	Frequency counter Powermeter			TX-RX	TC3	445.000 MHz 435.000 MHz K, P, E, M, M2	± 500 Hz



To adjust the 430 MHz band, remove the 144 MHz band unit from the control unit.
Fig. 46 430 MHz band adjustment: Component layout (upper view)

ADJUSTMENT

Transmitter Section Adjustment

Item	Condition	Measurement point			Adjustment point			Specification
		Test equipment	Unit	Terminal	Unit	Parts	Method	
1. Power adjustment	1. Maximum power check Frequency: 1270.000 MHz Transmit	Powermeter Ammeter	Rear panel	ANT	TX-RX	VR4	Check	11 W or more
	2. High-power adjustment Frequency: 1270.000 MHz Transmit				TX-RX	VR4	Adjust 10W The fan runs when the PTT switch is pressed. (It continues for a while after the PTT switch is released, then stops.)	8 to 14 W (6.5 A or less)
	3. Low-power check Frequency: 1270.000 MHz Transmit				TX-RX	VR5	Check	0.7 to 1.4 W
2. Deviation adjustment	1. Frequency: 1270.000 MHz AG: 1 KHz, 50 mV (K,P, M, M2) 25 mV (E) Transmit	DC detector Oscilloscope	Rear panel	ANT	TX-RX	VR3	Adjust (in the higher + or - direction). 4.2 KHz	± 4.0 to 5.0 KHz
	2. Frequency: 1270.000 MHz AG: 1 KHz, 5.0 mV (K,P, M, M2) 2.5 mV (E) Transmit						Check	± 2.2 to 3.6 KHz
3. Tone check	1. Frequency: 1282.200 MHz Tone: On Transmit	DC detector Oscilloscope	Rear panel	ANT			Check	± 0.5 to 1.5 KHz
4. Protection check	1. Frequency: 1240.000 MHz 1270.000 MHz 1299.980 MHz Antenna: Open Transmit	Ammeter					Check	8.5 A or less
5. Frequency check	1. Frequency: 1270.000 MHz Transmit	Frequency counter Powermeter					1270.000 MHz	± 1 KHz

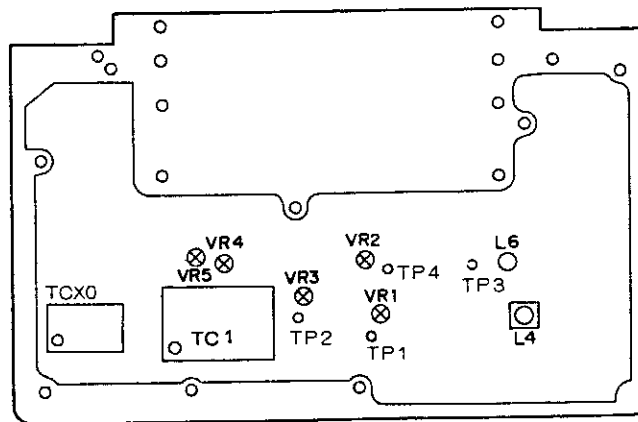


Fig. 47 1200 MHz band adjustment: Component layout (upper view)

ADJUSTMENT

● 28 MHz Band (UT-28S)

Common Section Adjustment

Item	Condition	Measurement point			Adjustment point			Specification
		Test equipment	Unit	Terminal	Unit	Parts	Method	
1. Lock Voltage check	1. Frequency: 29.700MHz Receive	Digital voltmeter	TX-RX	TP3			Check the lock voltage	5.5 - 7.0 V

Receiver Section Adjustment

Item	Condition	Measurement point			Adjustment point			Specification
		Test equipment	Unit	Terminal	Unit	Parts	Method	
1. Band pass filter (BPF)	1. Frequency: 29.700MHz SSG output: 0 dB μ Modulation: 1KHz Deviation: 3 KHz Receive	Digital voltmeter SSG	Rear panel	ANT	TX-RX	L1-4	Adjust so that the voltmeter reading is maximum	voltmeter reading is maximum
2. Distortion factor	1. Frequency: 28.890MHz SSG output: 60 dB μ Modulation: 1KHz Deviation: 3KHz	Distortion meter Oscilloscope SSG	Rear panel	EXT.SP	TX-RX	L5	Minimize the distortion factor	5% or less
3. Receive sensitivity	1. Frequency: 28.040MHz SSG output: -9 dB μ Modulation: 1KHz Deviation: 3 KHz	Distortion meter Millivoltmeter Oscilloscope SSG	Rear panel	EXT.SP			Check	12 dB SINAND or more
	2. Frequency: 29.700 MHz SSG output: -9 dB μ Modulation: 1KHz Deviation: 3 KHz		Rear panel	EXT.SP			Check	12 dB SINAND or more
	3. Frequency: 22.040 MHz SSG output: 20 dB μ Modulation: 1KHz Deviation: 3 KHz		Rear panel	EXT.SP			Check	12 dB SINAND or more
4. Signal strength meter adjustment	1. Frequency: 28.890 MHz SSG output: 24 dB μ Modulation: 1 KHz Deviation: 3 KHz	SSG			TX-RX	VR1	Adjust so that all LEDS go on, then one LED goes off.	
5. Signal strength meter check	2. Frequency: 28.890 MHz SSG output: 25 dB μ Modulation: 1 KHz Deviation: 3 KHz						Adjust the SSG output so that all signal strength meter LEDs go on.	The SSG output is 20 \pm 6 dB μ
6. Squelch check	1. Frequency: 28.890 MHz SSG output: OFF	SSG	Rear panel	EXT.SP			Set the SQL knob to the closed position when the SSG output is off.	
	2. Frequency: 28.890 MHz SSG output: -14 dB μ Modulation: 1 KHz Deviation: 3 KHz		Rear panel	EXT.SP			The squelch is open.	

ADJUSTMENT

Transmitter Section Adjustment

Item	Condition	Measurement point			Adjustment point			Specification
		Test equipment	Unit	Terminal	Unit	Parts	Method	
1. Maximum power check	1. Frequency: 28.850 MHz Transmit	Powermeter Ammeter	Rear panel	ANT	TX-RX	VR3	Check	52 W or more
2. High-power adjustment	1. Frequency: 28.850 MHz Transmit				TX-RX	VR3	Adjust	50 W
	2. Frequency: 28.000 MHz Transmit						Check	44 W or more
	3. Frequency: 29.640 MHz Transmit						Check	44 W or more
3. Medium-power adjustment	1. Frequency: 28.850 MHz Transmit	Powermeter	Rear panel	ANT	TX-RX	VR4	Adjust	11.5 W
	2. Frequency: 28.000 MHz Transmit						Check	9.5 W or more
	3. Frequency: 29.640 MHz Transmit						Check	9.5 W or more
4. Low-power check	1. Frequency: 28.850 MHz Transmit	Powermeter	Rear panel	ANT			Check	3.0 ~ 8.0 W
	2. Frequency: 28.000 MHz Transmit						Check	3.0 ~ 8.0 W
	3. Frequency: 29.640 MHz Transmit						Check	3.0 ~ 8.0 W
5. Deviation adjustment	1. Frequency: 28.850 MHz AG: 1 KHz, 50 mV (K, P, M, M2) 25 mV (E) Filter: <input type="checkbox"/> 25K <input type="checkbox"/> 15K Transmit	DC detector Oscilloscope AG	Rear panel	ANT	TX-RX	VR2	Adjust 4.4 KHz	± 4.4 KHz ± 200 Hz
	2. Frequency: 28.050 MHz AG: 1 KHz, 5.0 mV (K, P, M, M2) 2.5 mV (E) Filter: <input type="checkbox"/> 25K <input type="checkbox"/> 15K Transmit						Check	± 2.2 to 3.6 KHz
6. Frequency check	1. Frequency: 28.850 MHz Transmit	Frequency counter Powermeter	Rear panel	ANT	TX-RX	TC1	Adjust	28.850 MHz ± 20 Hz
							Check	12A or less
7. Protection check	1. Frequency: 29.690 MHz Antenna: Open Transmit	Ammeter					Check	12A or less

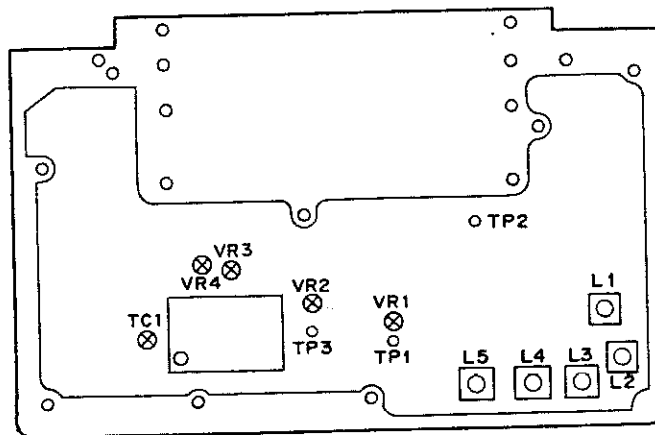


Fig. 48 28 MHz Band adjustment: Component layout (upper view)

ADJUSTMENT

● 50 MHz Band (UT-50S)

Common Section Adjustment

Item	Condition	Measurement point			Adjustment point			Specification
		Test equipment	Unit	Terminal	Unit	Parts	Method	
1. Lock Voltage check	1. Frequency: 54.000 MHz Receive	Digital voltmeter	TX-RX	TP3			Check the lock voltage	6.0 - 7.6 V

Receiver Section Adjustment

Item	Condition	Measurement point			Adjustment point			Specification
		Test equipment	Unit	Terminal	Unit	Parts	Method	
1. Bandpass filter (BPF)	1. Frequency: 52.040 MHz SSG output: 0 dB μ Modulation: 1 KHz Deviation: 3 KHz Receive	Digital voltmeter SSG	Rear panel	ANT	TX-RX	L1~4	Adjust to that the voltmeter reading is maximum	voltmeter reading is maximum
2. Distortion factor	1. Frequency: 52.040 MHz SSG output: 60 dB μ Modulation: 1 KHz Deviation: 3 KHz	Distortion meter Oscilloscope SSG	Rear panel	EXT.SP	TX-RX	L5	Minimize the distortion factor	5% or less
3. Receive sensitivity	1. Frequency: 53.940 MHz SSG output: -9 dB μ Modulation: 1 KHz Deviation: 3 KHz	Distortion meter Millivoltmeter Oscilloscope SSG	Rear panel	EXT.SP			Check	12 dB SINAND or more
	2. Frequency: 50.040 MHz SSG output: -9 dB μ Modulation: 1 KHz Deviation: 3 KHz		Rear panel	EXT.SP			Check	12 dB SINAND or more
	3. Frequency: 40.040 MHz SSG output: 20 dB μ Modulation: 1 KHz Deviation: 3 KHz		Rear panel	EXT.SP			Check	12 dB SINAND or more
4. Signal strength meter adjustment	1. Frequency: 52.040 MHz SSG output: 24 dB μ Modulation: 1 KHz Deviation: 3 KHz	SSG			TX-RX	VR1	Adjust so that all LEDs go on, then one LED goes off.	
5. Signal strength meter check	2. Frequency: 52.040 MHz SSG output: 25 dB μ Modulation: 1 KHz Deviation: 3 KHz						Adjust the SSG output so that all signal strength meter LEDs go on.	The SSG output is 20 \pm 6 dB μ
6. Squelch check	1. Frequency: 52.040 MHz SSG output: Off	SSG	Rear panel	EXT.SP			Set the SQL knob to the closed position when the SSG output is off.	
	2. Frequency: 52.040 MHz SSG output: -14 dB Modulation: 1 KHz Deviation: 3 KHz		Rear panel	EXT.SP			The squelch is open.	

Transmitter Section Adjustment

Item	Condition	Measurement point			Adjustment point			Specification
		Test equipment	Unit	Terminal	Unit	Parts	Method	
1. Maximum power check	1. Frequency: 52.000 MHz Transmit	Powermeter Ammeter	Rear Panel	ANT	TX-RX	VR3	Check	53W or more
2. High-power adjustment	1. Frequency: 52.000 MHz Transmit				TX-RX	VR3	Adjust	51W
	2. Frequency: 50.000 MHz Transmit						Check	45W or more
	3. Frequency: 53.940 MHz Transmit			Check	45W or more			
3. Medium-power adjustment	1. Frequency: 52.000 MHz Transmit	Powermeter	Rear Panel	ANT	TX-RX	VR4	Adjust	11.5W
	2. Frequency: 50.000 MHz Transmit						Check	9.5W or more
	3. Frequency: 53.940 MHz Transmit						Check	9.5W or more
4. Low-power check	1. Frequency: 52.000 MHz Transmit	Powermeter	Rear Panel	ANT			Check	3.0 ~ 8.0W
	2. Frequency: 50.000 MHz Transmit						Check	3.0 ~ 8.0W
	3. Frequency: 53.940 MHz Transmit						Check	3.0 ~ 8.0W
5. Deviation adjustment	1. Frequency: 52.000 MHz AG: 1KHz, 50 mV (K, P,M, M2) 25 mV (E) Filter: 25 15K Transmit	DC detector Oscilloscope AG	Rear Panel	ANT	TX-RX	VR2	Adjust 4.4 KHz	$\pm 4.4 \text{ KHz} \pm 200 \text{ Hz}$
	2. Frequency: 52.000 MHz AG: 1KHz, 5.0 mV (K, P,M, M2) 2.5 mV (E) Filter: 25 15K Transmit						Check	$\pm 2.2 \text{ to } 3.6 \text{ KHz}$
6. Frequency check.	1. Frequency: 52.000 MHz Transmit	Frequency counter Powermeter	Rear Panel	ANT	TX-RX	TC1	Adjust	$52.000 \text{ MHz} \pm 20 \text{ Hz}$
7. Protection check	1. Frequency: 53.990MHz Antenna: Open Transmit	Ammeter					Check	12A or less.

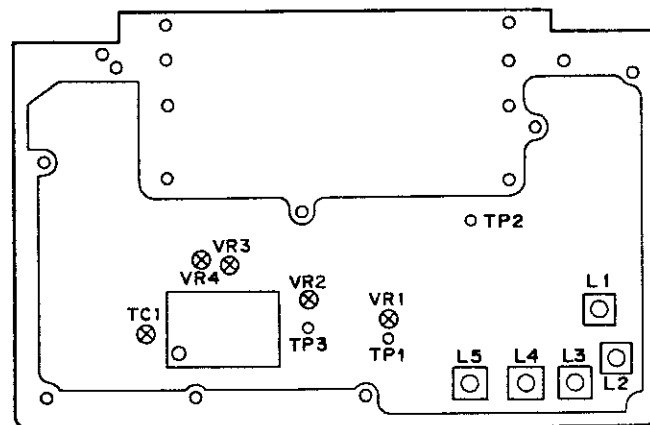


Fig. 49 50 MHz BAND adjustment: Component layout (upper view)

ADJUSTMENT

● 220 MHz Band (TM-641A, UT-220S)

Common Section Adjustment

Item	Condition	Measurement point			Adjustment point			Specification
		Test equipment	Unit	Terminal	Unit	Parts	Method	
1. Lock voltage check	1. Frequency: 215.000 MHz Receive	Digital voltmeter	TX-RX	TP2			Check the lock voltage	1.2 ~ 2.6V

Receiver Section Adjustment

Item	Condition	Measurement point			Adjustment point			Specification
		Test equipment	Unit	Terminal	Unit	Parts	Method	
1. Bandpass filter (BPF)	1. Frequency: 222.540 MHz SSG output: 0dB μ Modulation: 1KHz Deviation: 3KHz Receive	Digital voltmeter SSG	Rear Panel	ANT.	TX-RX	L1~4	Voltmeter reading is maximum.	Voltmeter reading is maximum.
2. Distortion factor	1. Frequency: 222.540 MHz SSG output: 60dB μ Modulation: 1KHz Deviation: 3KHz	Distortion meter Oscilloscope SSG	Rear Panel	EXT. SP	TX-RX	L6	Minimize the distortion factor	5% or less
3. Receive sensitivity	1. Frequency: 222.540 MHz SSG output: -9dB μ Modulation: 1KHz Deviation: 3KHz	Distortion meter Millivoltmeter Oscilloscope SSG	Rear Panel	EXT. SP			Check	12dB SINAND or more
	2. Frequency: 215.040 MHz SSG output: 5dB μ Modulation: 1KHz Deviation: 3KHz		Rear panel	EXT. SP			Check	12dB SINAND or more
	3. Frequency: 229.980 MHz SSG output: -5dB μ Modulation: 1KHz Deviation: 3KHz		Rear panel	EXT. SP			Check	12dB SINAND or more
4. Signal strength meter adjustment	1. Frequency: 222.540 MHz SSG output: 21dB μ Modulation: 1KHz Deviation: 3KHz	SSG			TX-RX	VR1	Adjust so that all LEDs go on, then one LED goes off.	
5. Signal strength meter check	2. Frequency: 222.540 MHz SSG output: 22dB μ Modulation: 1KHz Deviation: 3KHz						Adjust the SSG output so that all signal strength meter LEDs go on.	The SSG output is 20 \pm 6 dB μ
6. Squelch check	1. Frequency: 222.540 MHz SSG output: OFF	SSG	Rear Panel	EXT. SP			Set the SQL knob to the closed position when the SSG output is off.	
	2. Frequency: 222.540 MHz SSG output: -14dB Modulation: 1KHz Deviation: 3KHz		Rear Panel	EXT. SP			The squelch is open.	

Transmitter Section Adjustment

Item	Condition	Measurement point			Adjustment point			Specification
		Test equipment	Unit	Terminal	Unit	Parts	Method	
1. Maximum power check	1. Frequency: 222.500 MHz Transmit	Powermeter Ammeter	Rear Panel	ANT	TX-RX	VR3	Check	28W or more (reference)
2. High-power adjustment	1. Frequency: 222.500 MHz Transmit				TX-RX	VR3	Adjust	26W
	2. Frequency: 222.000 MHz Transmit						Check	22W or more
	3. Frequency: 224.980 MHz Transmit			Check	22W or more			
3. Medium-power adjustment	1. Frequency: 222.540 MHz Transmit	Powermeter	Rear Panel	ANT	TX-RX	VR4	Adjust	11W
	2. Frequency: 222.000 MHz Transmit						Check	9W or more
	3. Frequency: 224.980 MHz Transmit						Check	9W or more
4. Low-power check	1. Frequency: 222.540 MHz Transmit	Powermeter	Rear Panel	ANT			Check	3.0 ~ 8.0W
	2. Frequency: 220.000 MHz Transmit						Check	3.0 ~ 8.0W
	3. Frequency: 222.980 MHz Transmit						Check	3.0 ~ 8.0W
5. Deviation adjustment	1. Frequency: 222.500 MHz AG: 1KHz, 50 mV Filter: $\begin{matrix} 25 \\ 15K \end{matrix}$ Transmit	DC detector Oscilloscope AG	Rear Panel	ANT	TX-RX	VR2	Adjust 4.4 KHz	$\pm 4.4\text{KHz} \pm 200 \text{ Hz}$
	2. Frequency: 222.500 MHz AG: 1KHz, 5.0 mV Filter: $\begin{matrix} 25 \\ 15K \end{matrix}$ Transmit						Check	$\pm 2.2 \text{ to } 3.6 \text{ KHz}$
6. Frequency check.	1. Frequency: 222.500 MHz Transmit	Frequency counter Powermeter	Rear Panel	ANT	TX-RX	TC1	Adjust	222.500 MHz \pm 2KHz
7. Protection check	1. Frequency: 224.980 MHz Antenna: Open Transmit	Ammeter					Check	7.5A or less

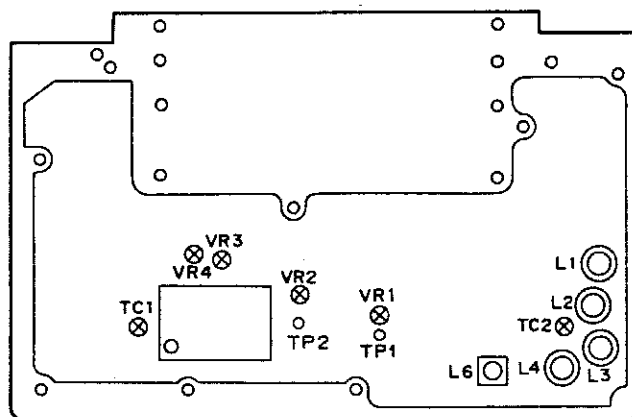


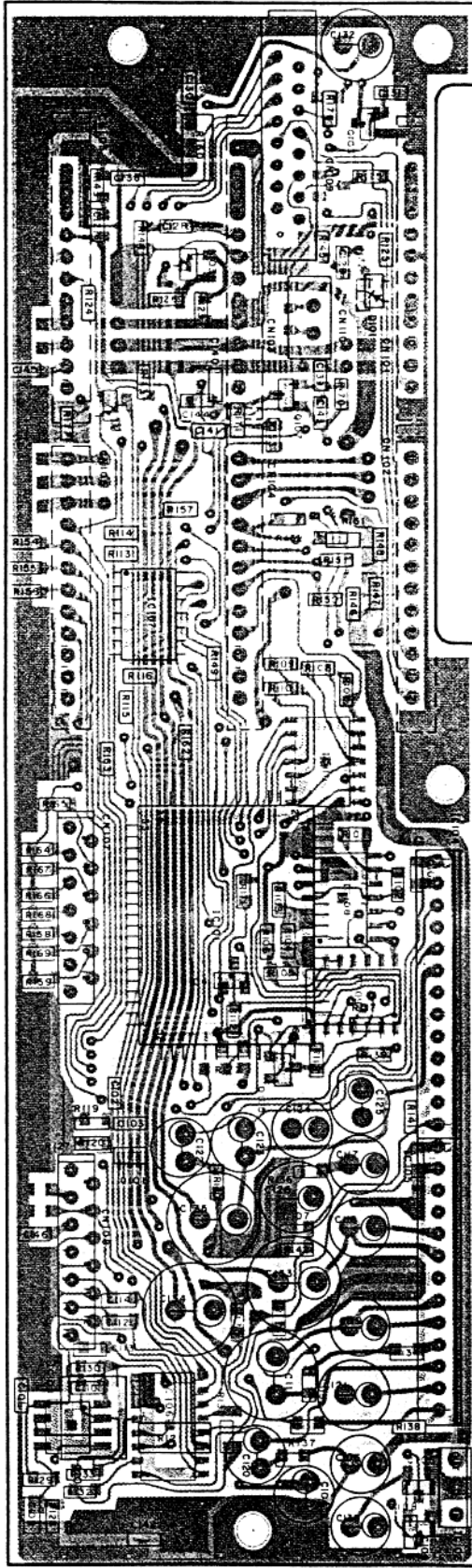
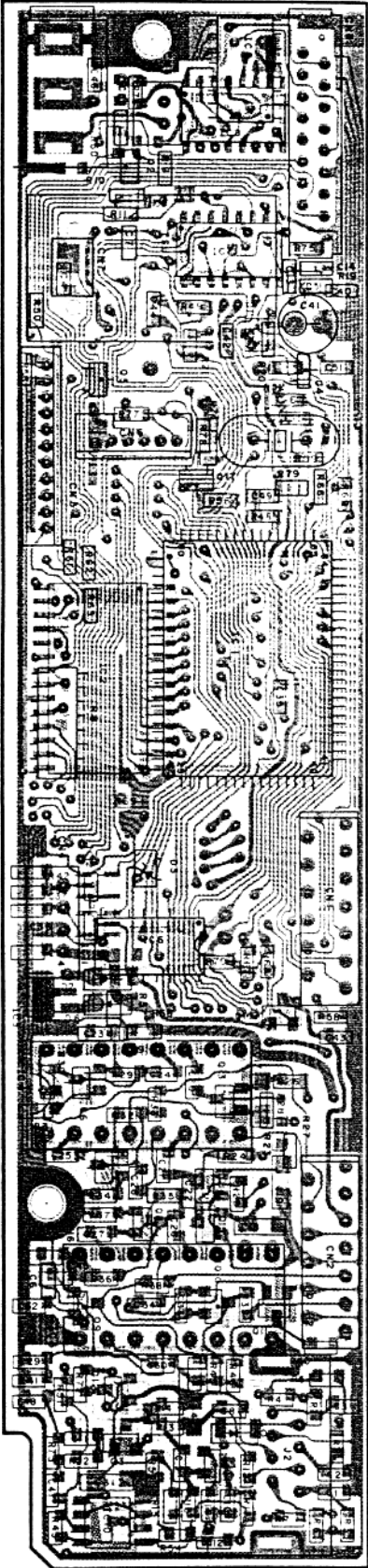
Fig. 50 220 MHz band adjustment: Component layout (upper view)

TM-641A/741A/741E

CONTROL UNIT X53-331X-XX 0-12: 641A(K),741A (K, P, M, M2), 2-71: 741 E (E)

Component side view

IC1:75517GF-014-3B9 IC2:LC3564PML-12, 15 IC3:TA78L06F IC4, 5:TC9154AP IC6, 7:BU4094BF IC8, 9:BU4053BF IC10:NUM4558E IC11, 12:TCAS11F
 Q1:2SC3324 (G) Q2, 4-8, 17:2SC2712(Y) Q3, 9-11:DTC114EK Q12-15:2SD175 (K) Q16:2SA1519
 D1:1SS184 D2, 4, 6:LF801 D3:02CZ6, 8X D5:02CZ3, 01Z)

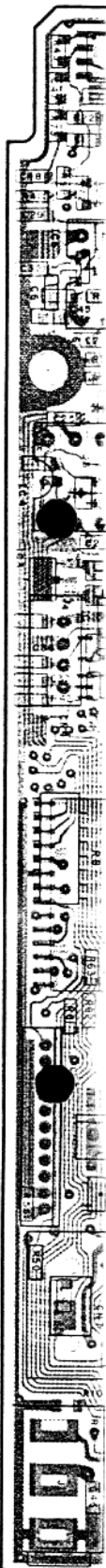



IC101:CXD1095Q IC102:MC78T08CT IC103:NUM4558E IC104, 105:LA4446 IC106:BU4053BF IC107-110:BU4068BF
 Q101,107:2SC2712(Y) Q102:2SA1641(S, T) Q103:DTD143EK Q104,105:DTC114EK Q106:DTC1144EK Q108:DTA144EK
 D101-103:1SS226

CONTROL UNI

Foil side view

IC1:75517GF-014-3B9 IC2:LC3564PML-12, 15 IC3:TA78L06F IC4, 5:TC9154AP IC6, 7:BU4094BF IC8, 9:BU4053BF IC10:NUM4558E IC11, 12:TCAS11F
 Q1:2SC3324 (G) Q2, 4-8, 17:2SC2712(Y) Q3, 9-11:DTC114EK Q12-15:2SD175 (K) Q16:2SA1519
 D1:1SS184 D2, 4, 6:LF801 D3:02CZ6, 8X D5:02CZ3, 01Z)



:Component side pattern :Foil side pattern

PC BOARD VIEW

CONTROL UNIT X53-331X-XX 0-12: 641A(K), 741A (K, P, M, M2), 2-71: 741 E (E)

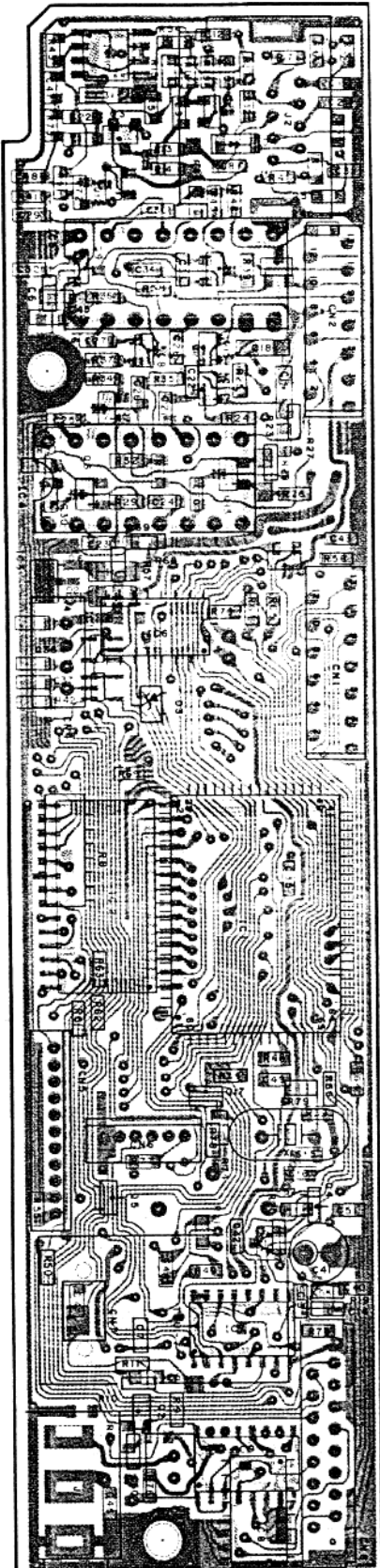
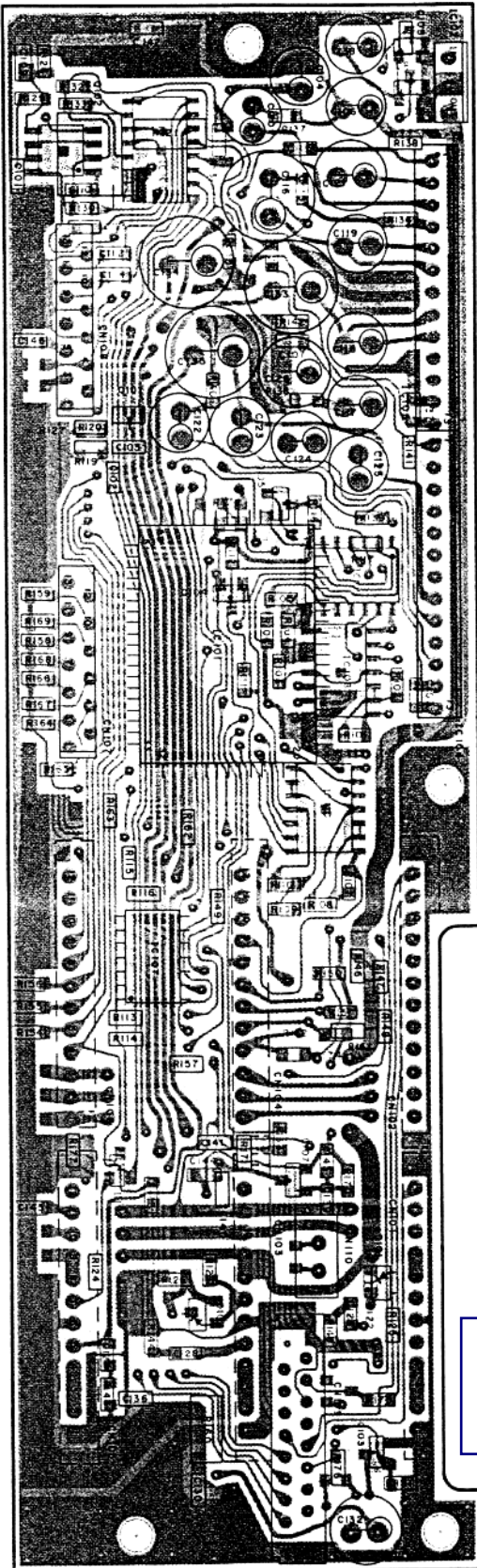
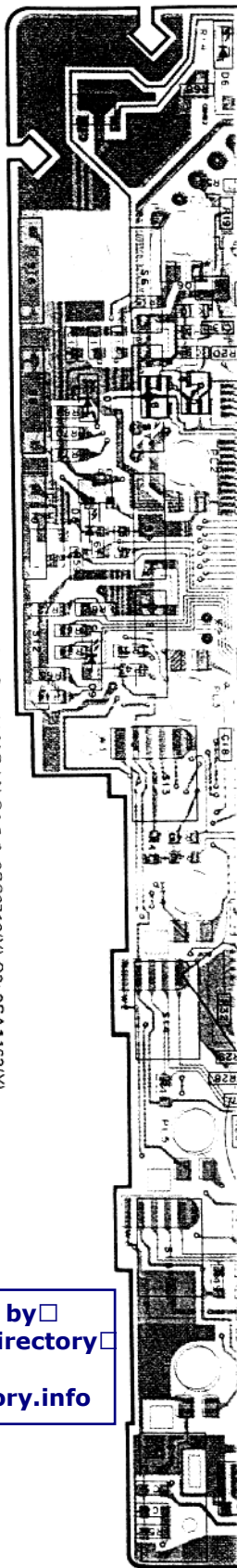
DISPLAY UNIT X54-312)

Foil side view

Component side view

IC1:75517GF-014-3B9 IC2:L.C3564PML-12, 15 IC3:TA78L06F IC4: 5T09154AP IC6: 7:BU4094BF IC8: 9:BU4053BF IC10:NUM4558E IC11, 12:TC4S11F
 O1:25C324 (G) O2: 4-8, 17:2SC2712(Y) O3:9-11:DTIC11
 O12:-15:2SD175 (K) Q16:2SA1519
 D1:1SS184 D2, 4, 6:LF801 D3:02CZ68X D5:020CZ3.01Z

IC1: 75516GF-270-3B9 IC2: 3:MSM5265GS-V1K IC4: TA78L06F IC5:6: TC4S11F IC7: S-8054ALR-LN Q1:3:6: 25C2712(Y) Q2: 2SA1162(Y)
 Q4: 2SA1307(Y) Q5: 2SA1162(Y) Q7: 2SD1624(S) T1: O8: DT114EK D1:2: 1SS184 D3: 02CZ7.5(K) Y1:DA-9: B30-2/108-05 D10: LF801
 IC101:CXD10950 IC102:MC78108CT IC103:NUM4558E IC104, 105:LA4446 IC106:BU4053BF IC107-110:BU4068BF
 Q101, 107:2SC2712(Y) Q102:2SA1641(S) T1:Q103:DTD143EK Q104, 105:DTIC114EK Q106:DTIC144EK Q108:DTA144EK
 D101-103:1SS226

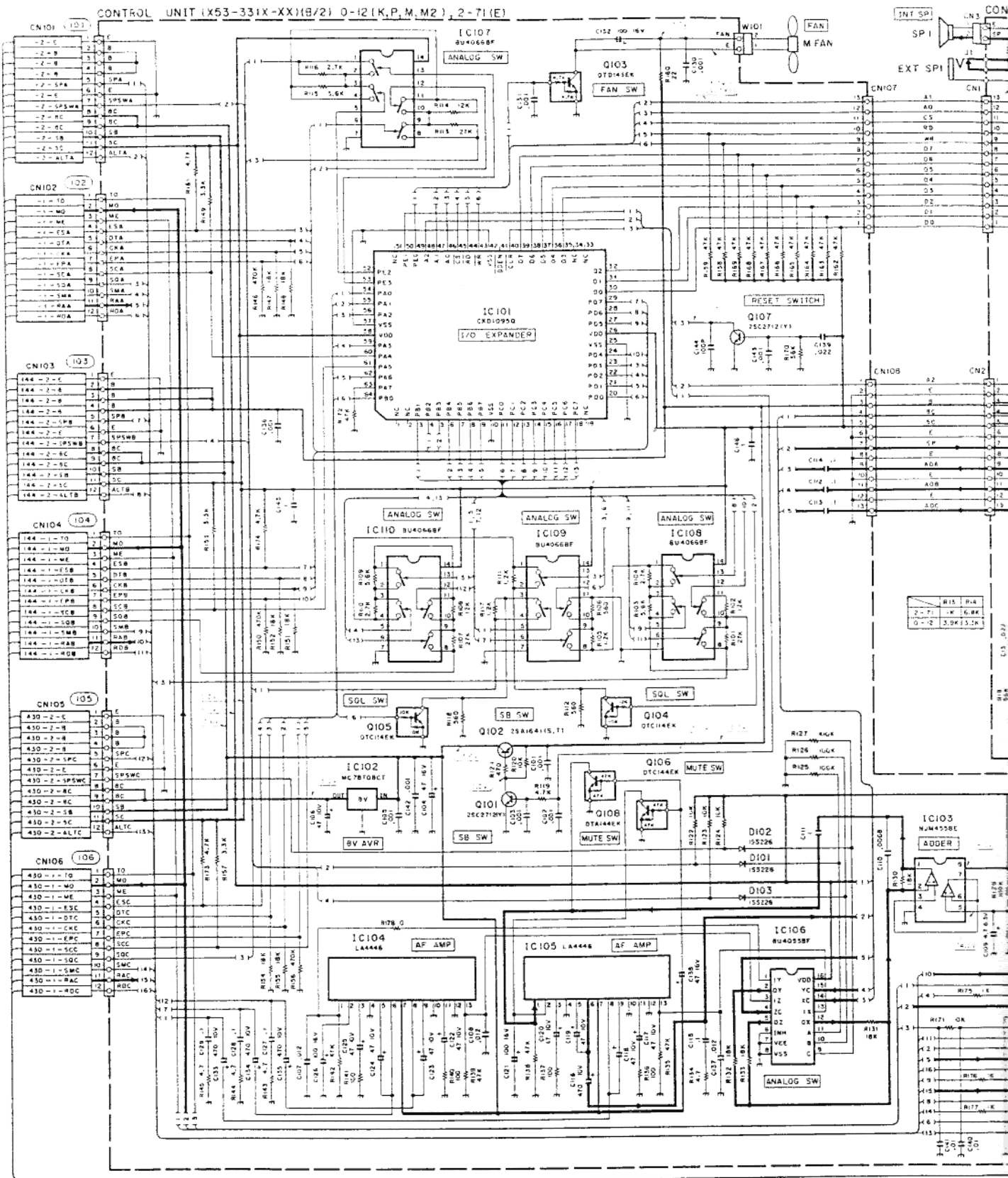


Downloaded by
 Amateur Radio Directory

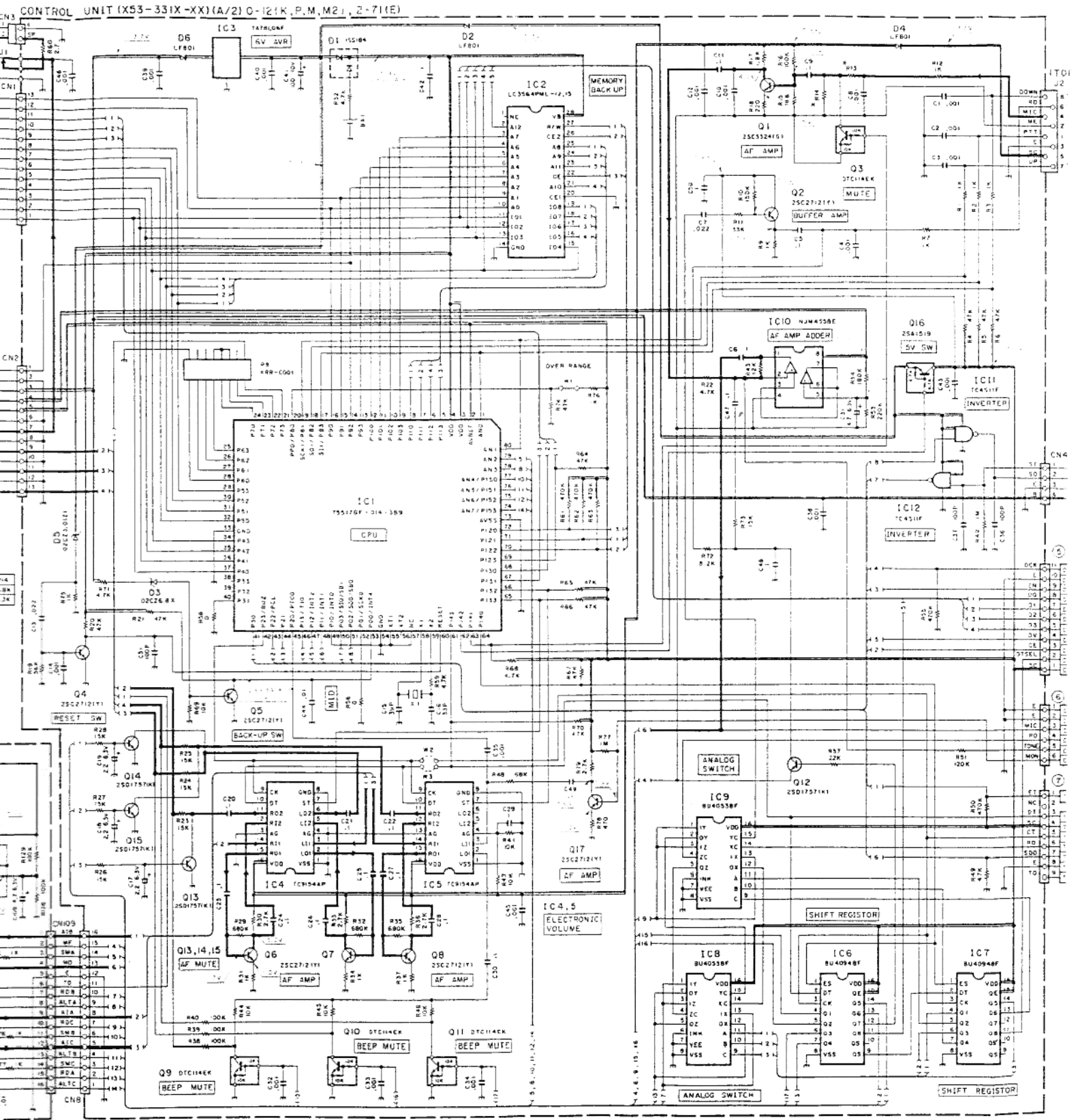
www.hamdirectory.info

:Component side pattern :Foil side pattern

— Signal line - - - - Control line - - - - Common DC line

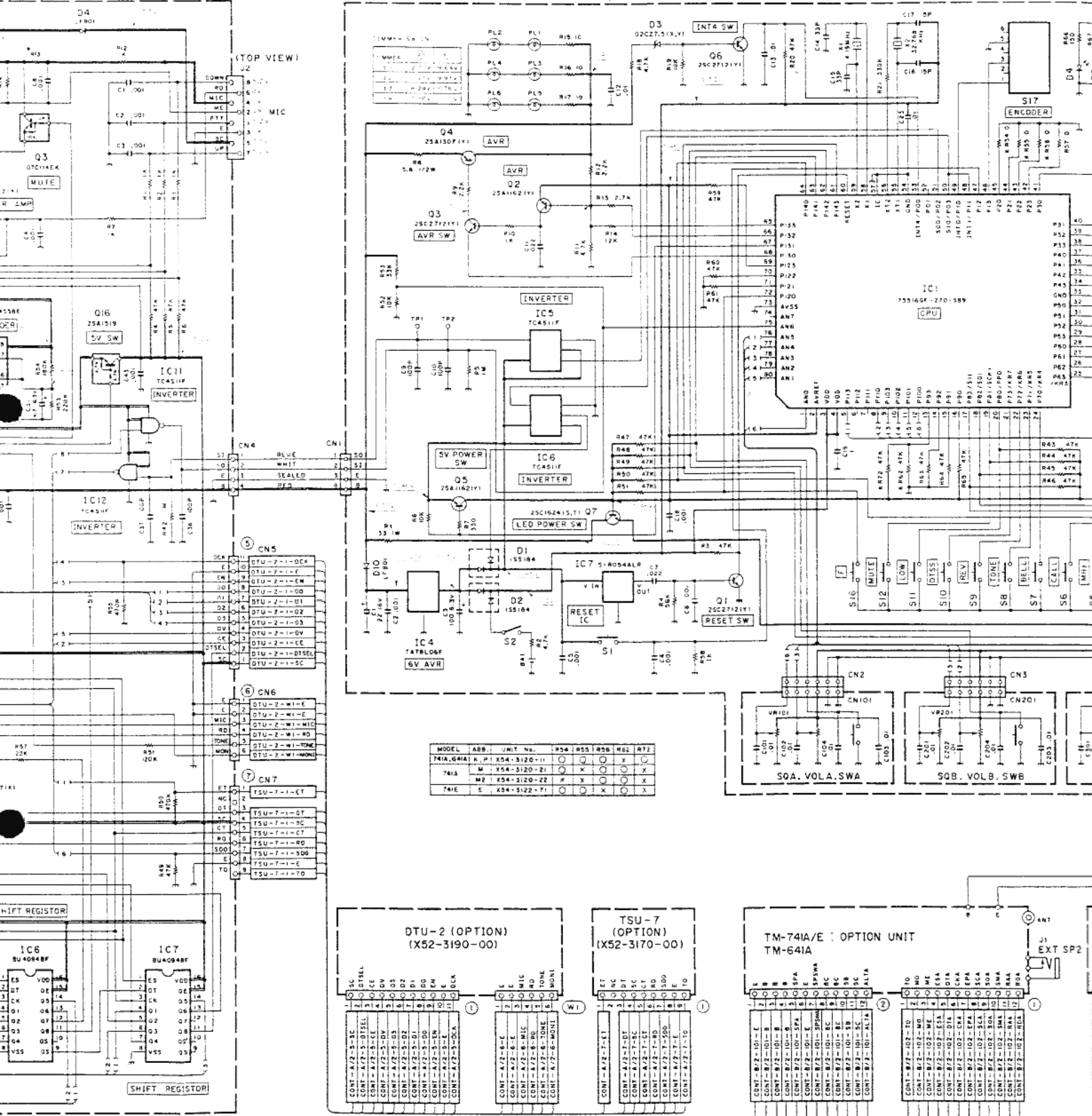


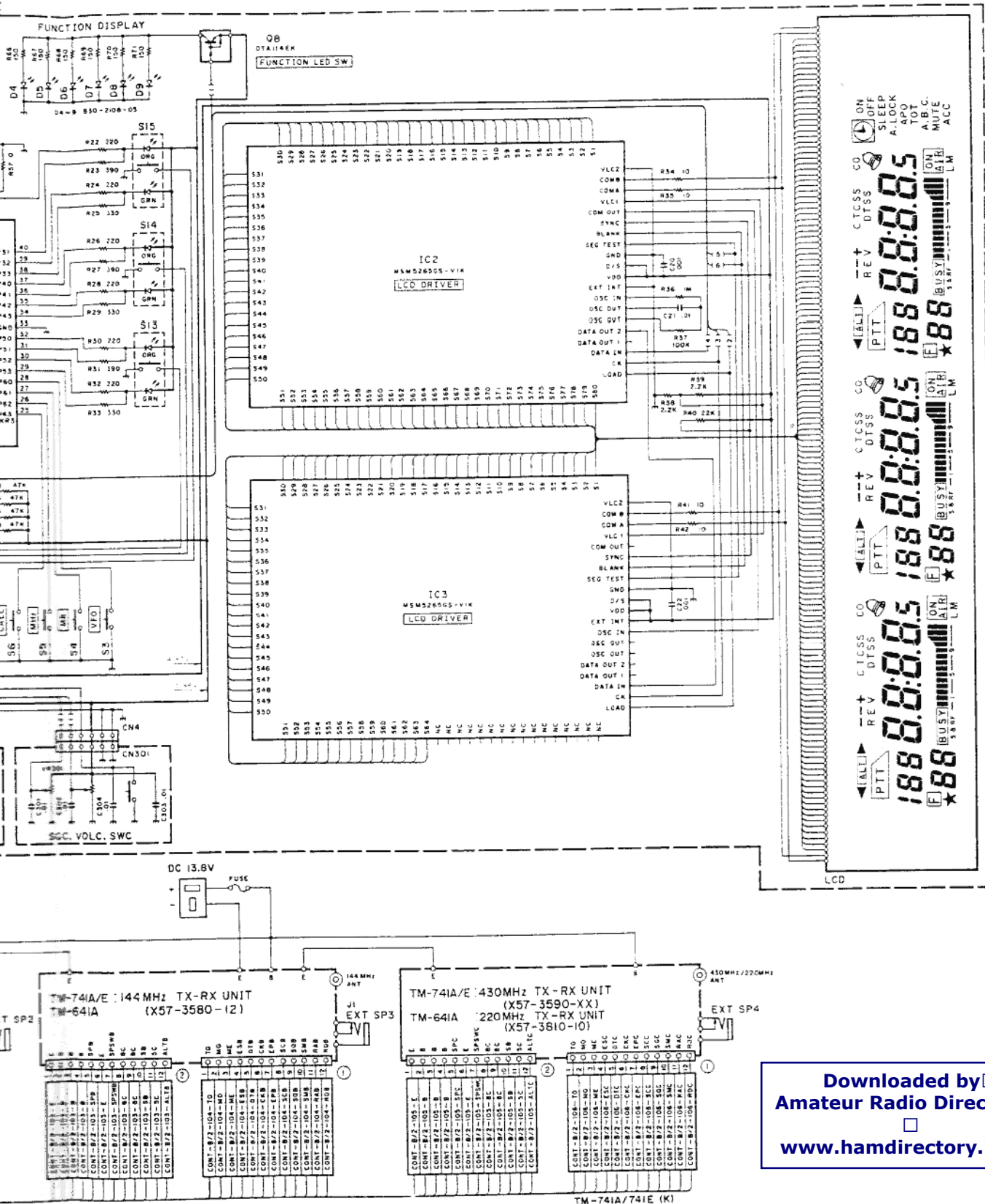
SCHEMATIC DIAGRAM



SCHEMATIC DIAGRAM

DISPLAY UNIT (X54-312X-XX) O-11(K,P)/TM-64IA,74IA,O-21(M)/TM-74IA,O-22(M.2)/TM-74IA,2-71(E)/TM-74IE





Downloaded by
 Amateur Radio Directory

www.hamdirectory.info

PC BOARD

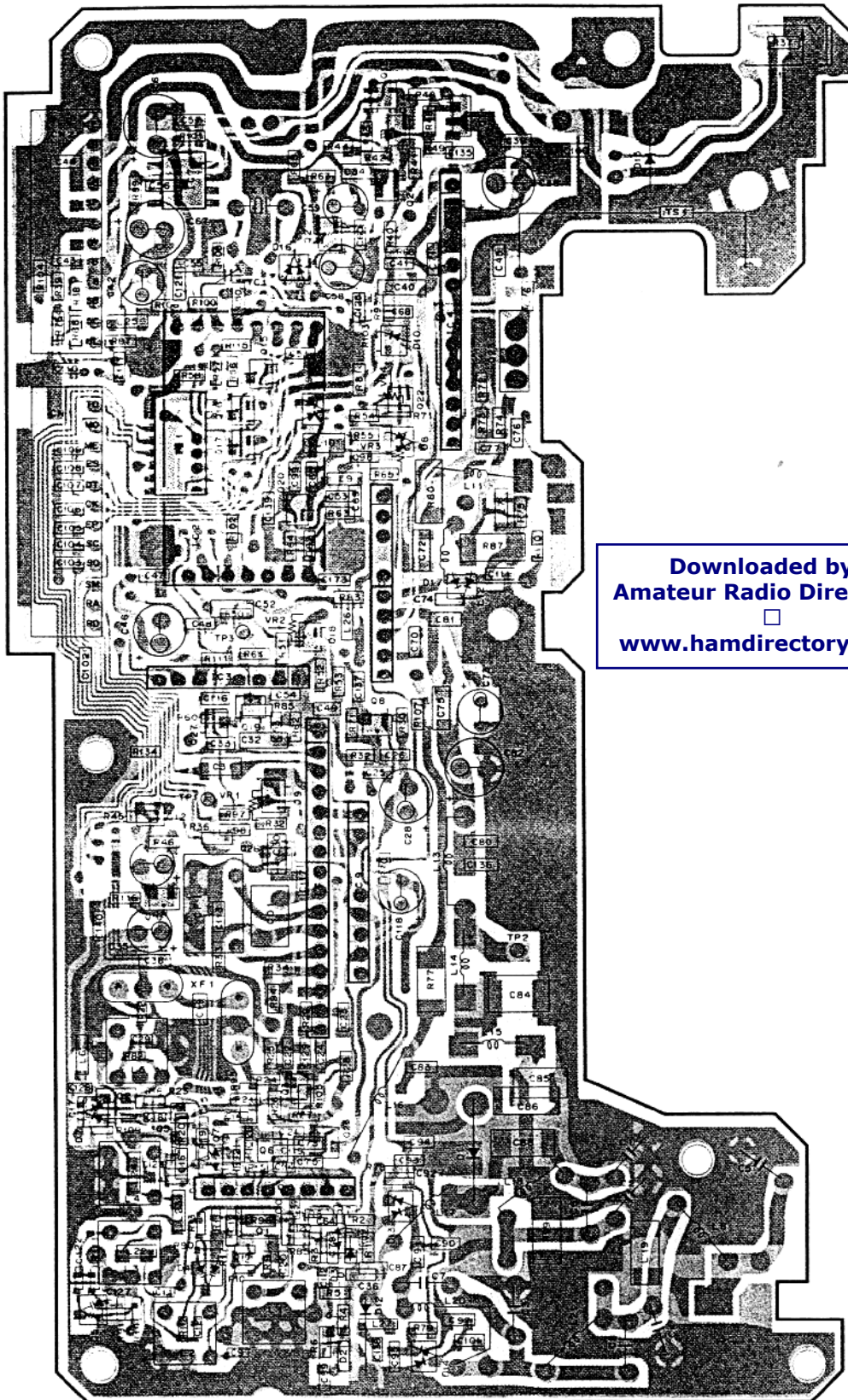
28 M TX-RX UNIT (X57-3790-01) :UT-28S(M)

28 M TX-RX UNI

Component side view

Foil side view

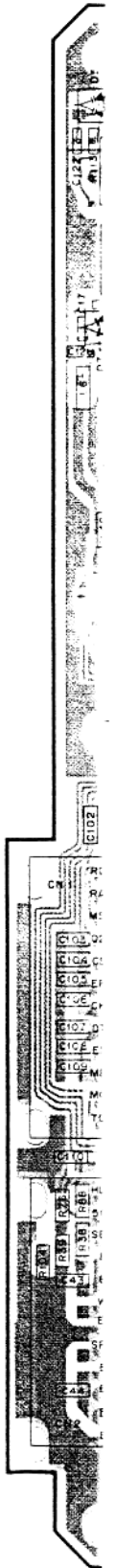
IC1: BU4094BF IC2: KCH09 IC3: KCA04 IC4: KCB16 IC5: KCC04 IC6: KCD04 IC7: LA509M IC8: KCB17 IC9: KCD05 Q1: 3SK179(L) Q2: 3SK131(V12)
 Q3, 8,20: 2SC2714(Y) Q4,5: DTC144EU Q6,7: 2S:DTA114EK Q9: 2S:J106(GR) Q10: 2SA1362(Y) Q11: 2SB1119S Q12: DTC144WK Q13: FMW1
 Q14, 21,24: 2SC2712(Y) Q15-17: 27 DTC144EK Q18: 2SD1757(K) Q19: 2SK208(Y) Q22: FMG1 Q23: 2SD1902R Q26: DTC143EK D1,2: MA77
 D3-6: 1SV228 D7, 9: DAN235(K) D8: 1SS184 D10: 1SS181 D11: UM9401 D12: M1308 D13, 14: 1SS226 D15: DSA3A1 D16, 17: 1SS184




Downloaded by
 Amateur Radio Directory

www.hamdirectory.info

IC1: BU4094BF IC2: KCH09 IC3: KCA04 IC4: KCB16 IC5: KCC04 IC6: KCD04 IC7: LA509M IC8: KCB17 IC9: KCD05 Q1: 3SK179(L) Q2: 3SK131(V12)
 Q3, 8,20: 2SC2714(Y) Q4,5: DTC144EU Q6,7: 2S:DTA114EK Q9: 2S:J106(GR) Q10: 2SA1362(Y) Q11: 2SB1119S Q12: DTC144WK Q13: FMW1
 Q14, 21, 24: 2SC2712(Y) Q15-17: 27 DTC144EK Q18: 2SD1757(K) Q19: 2SK208(Y) Q22: FMG1 Q23: 2SD1902R Q26: DTC143EK D1,2: MA77
 D3-6: 1SV228 D7, 9: DAN235(K) D8: 1SS184 D10: 1SS181 D11: UM9401 D12: M1308 D13, 14: 1SS226 D15: DSA3A1 D16, 17: 1SS184

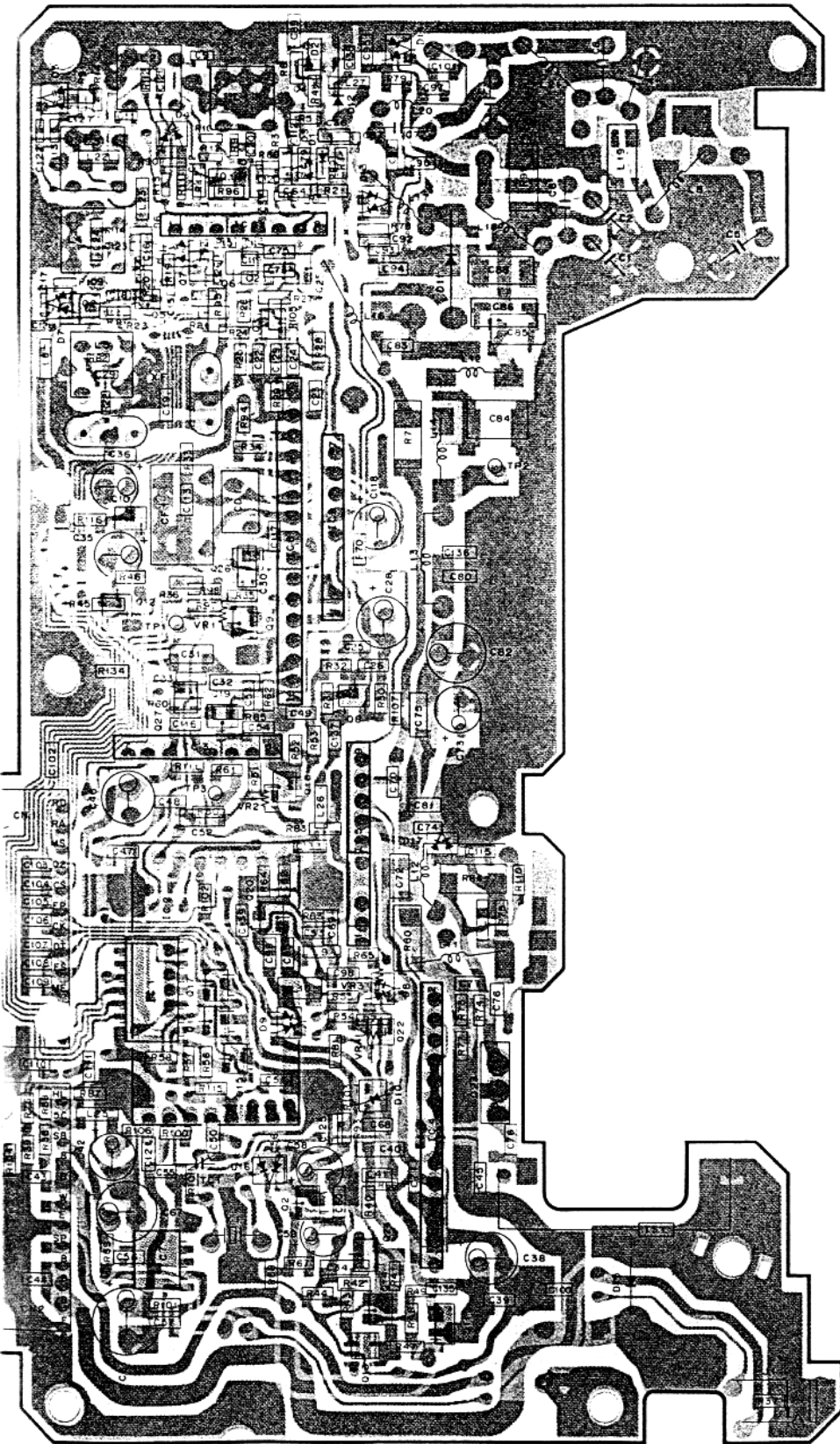


:Component side pattern  :Foil side pattern

BOARD VIEW

UNIT (X57-3790-01) :UT-28S(M)

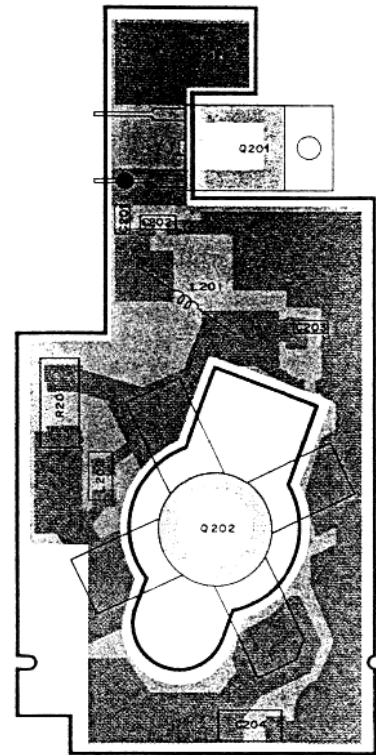
aw



:Component side pattern :Foil side pattern

SUB UNIT (X58-3840-01)

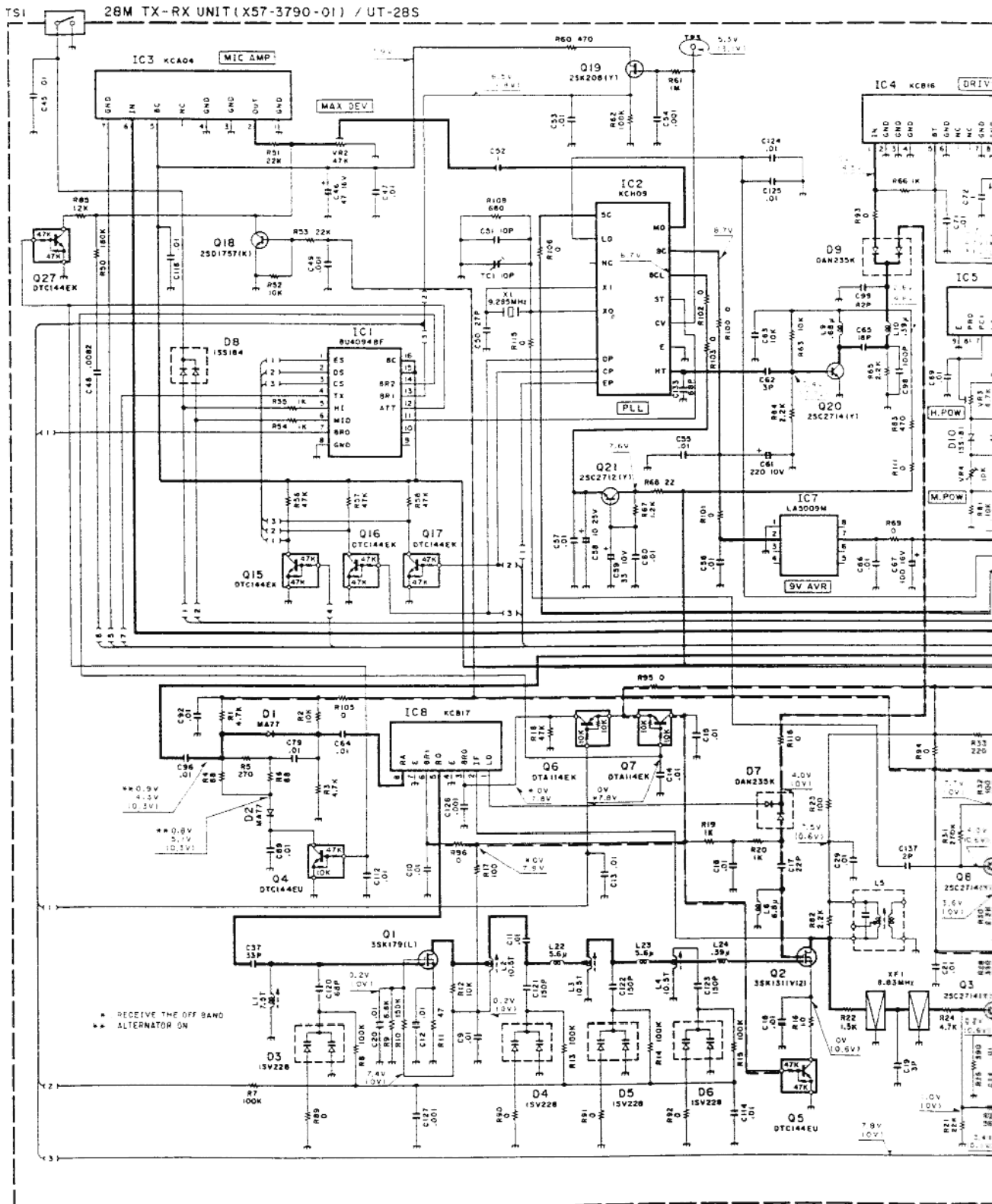
Component side view



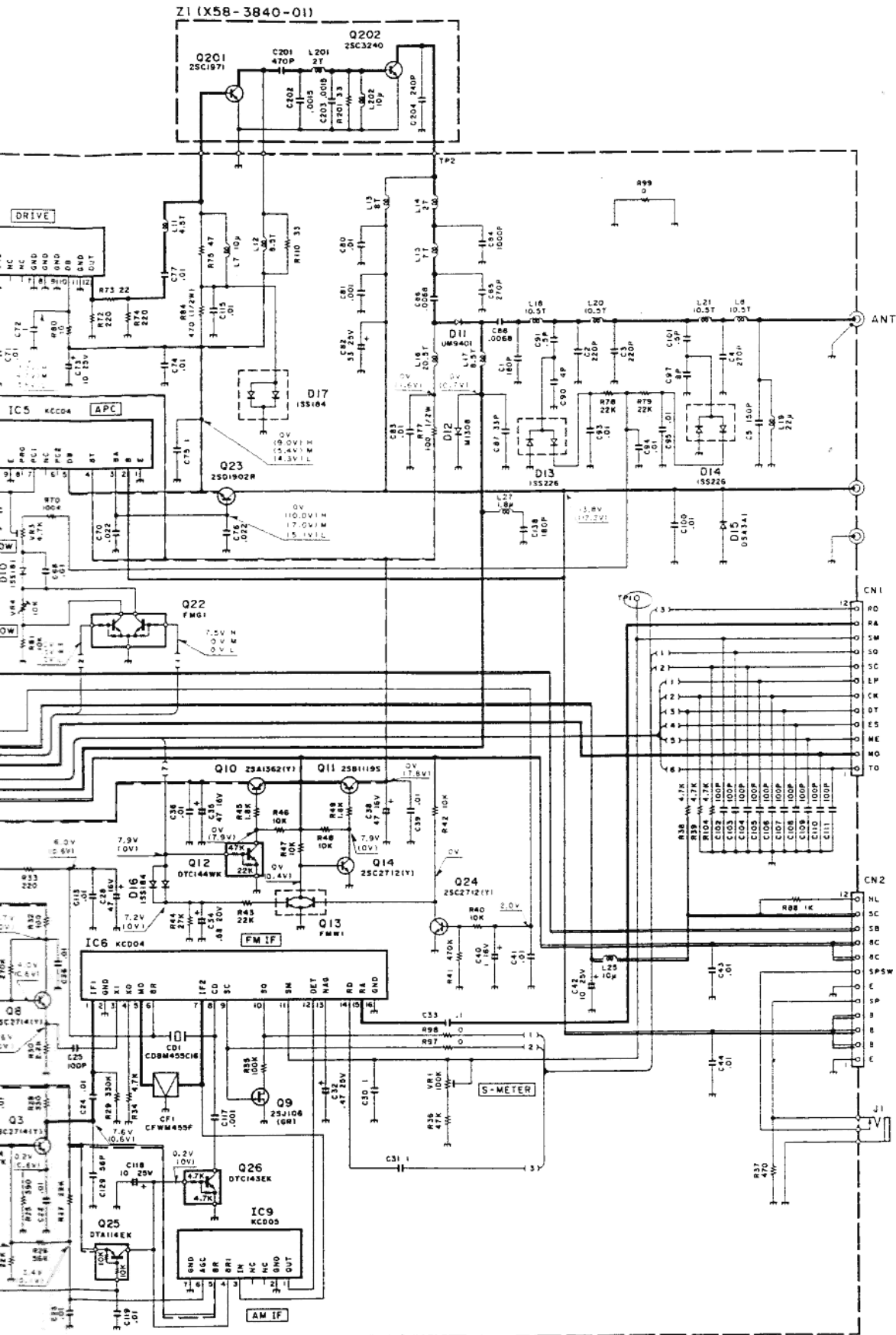
28M TX-RX UNIT (X57-3790-01): UT-28S(M)

— Signal line — Control line — Common DC line

Downloaded by Amateur Radio Directory
www.hamdirectory.info



DIAGRAM



TM-641A/741A/741E

PC B

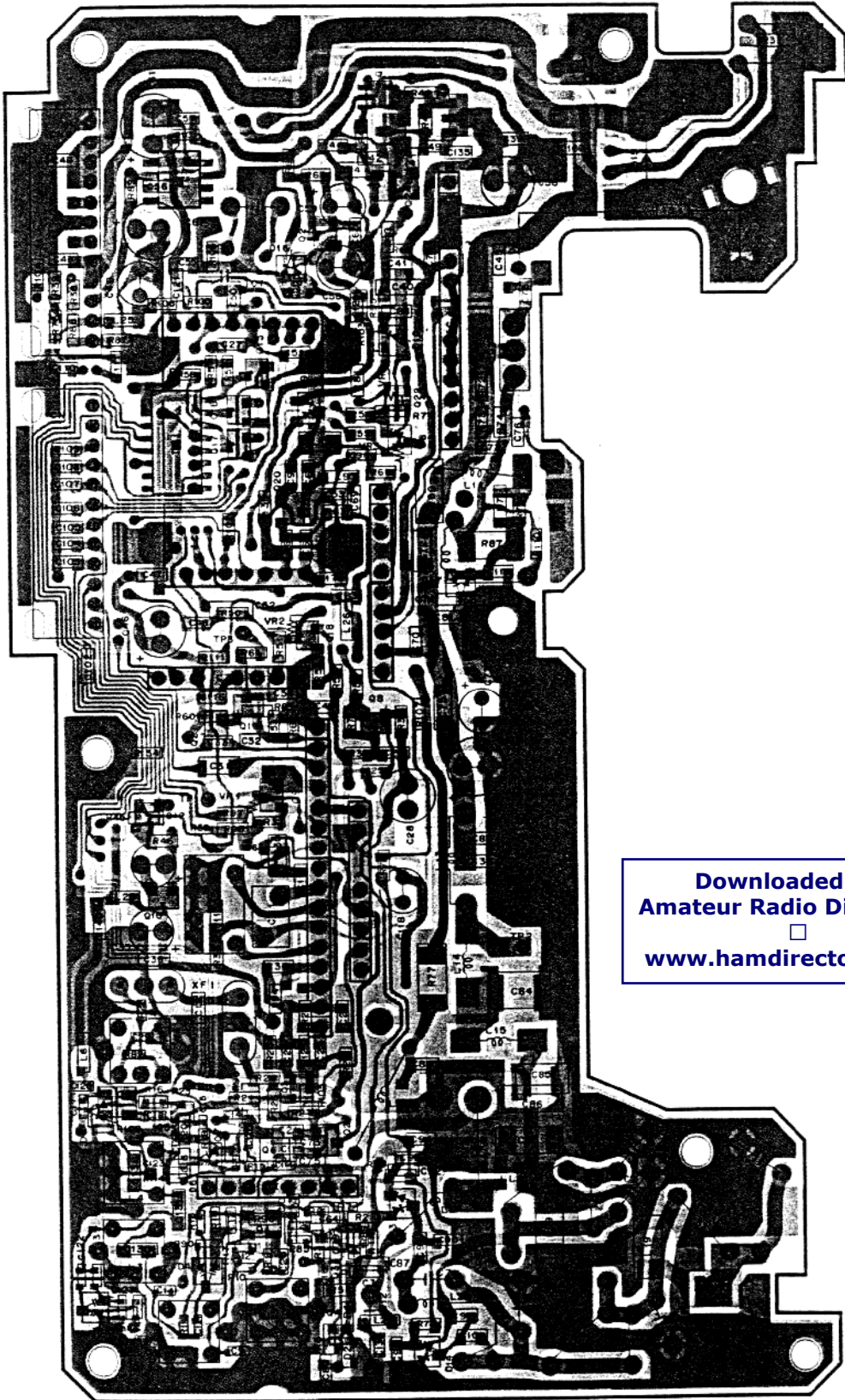
50M TX-RX UNIT (X57-3800-01) :UT-50S (M)

50M TX

Component side view



Foil side

IC1: BU4094BF IC2: KCH10 IC3: KCA04 IC4: KCB18 IC5: KCC04 IC6: KCD04 IC7: LA5010M IC8: KCB19 IC9: KCD05 Q1: 3SK184(S) Q2: 3SK131(V)12)
 Q3,8,20: 2SC2714(Y) Q4,15,17: D1C144EK Q5: D1C144EU Q6,7,25: D1A114EK Q9: 2SJ106(GR) Q10: 2SA1362(Y) Q11: 2SB1119S Q12: D1C144WK
 Q13: EMW1 Q14,21,24: 2SC2712(Y) Q18: 2SD1757K Q19: 2SK208(Y) Q22: FMG1 Q23: 2SD1902R Q26: D1C143EK D1,2: MA77 D3-6: 1SV228 D7,9: DAN235(K)
 D8,16,17: 1SS184 D10: 1SS181 D11: M1407 D12: M1308 D13,14: 1SS226 D15: DSA3A1



Downloaded by Amateur Radio Directory
www.hamdirectory.info

Q3,8,20: 2SC2714(Y) Q4,15,17: D1C144EK Q5: D1C144EU Q6,7,25: D1A114EK Q9: 2SJ106(GR) Q10: 2SA1362(Y) Q11: 2SB1119S Q12: D1C144WK
 Q13: EMW1 Q14,21,24: 2SC2712(Y) Q18: 2SD1757K Q19: 2SK208(Y) Q22: FMG1 Q23: 2SD1902R Q26: D1C143EK D1,2: MA77 D3-6: 1SV228 D7,9: DAN235(K)
 D8,16,17: 1SS184 D10: 1SS181 D11: M1407 D12: M1308 D13,14: 1SS226 D15: DSA3A1

 : Component side pattern  : Foil side pattern

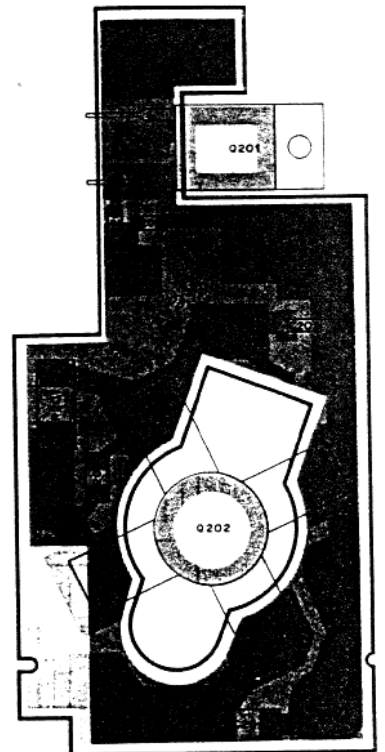
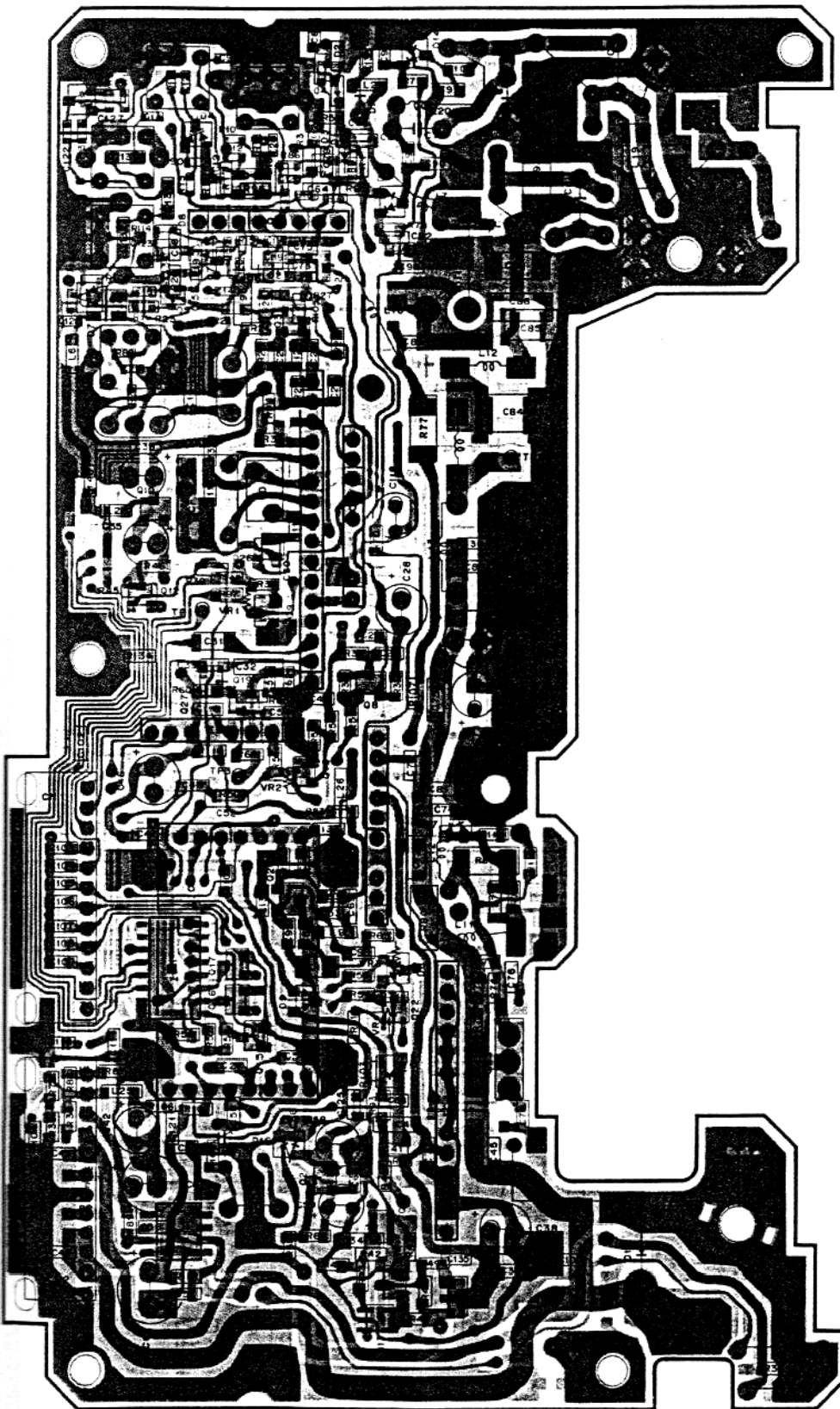
PC BOARD VIEW

TX-RX UNIT (X57-3800-01) :UT-50S (M)

Component side view



SUB UNIT (X58-3840-03)
Component side view

IC1: BU4094BF IC2: KCH10 IC3: KCA04 IC4: KCB18 IC5: KCC04 IC6: KCD04 IC7: LA5010M IC8: KCB19 IC9: KCD05 Q1: 3SK184(S) Q2: 3SK131(V12)
Q3: 8.20: 2SC2714(Y) Q4: 15-17: D1C144EK Q5: D1C144EU Q6: 7, 25: D1A114EK Q9: 2SJ106(GR) Q10: 2SA1362(Y) Q11: 2SB1119S Q12: D1C144WK
Q13: EMW1 Q14: 21, 24: 2SC2712(Y) Q18: 2SD1757K Q19: 2SK208(Y) Q22: FMG1 Q23: 2SD1902R Q26: D1C143EK D1, 2: MA77 D3-6: ISV228 D7, 9: DAN235(K)



Downloaded by
Amateur Radio Directory

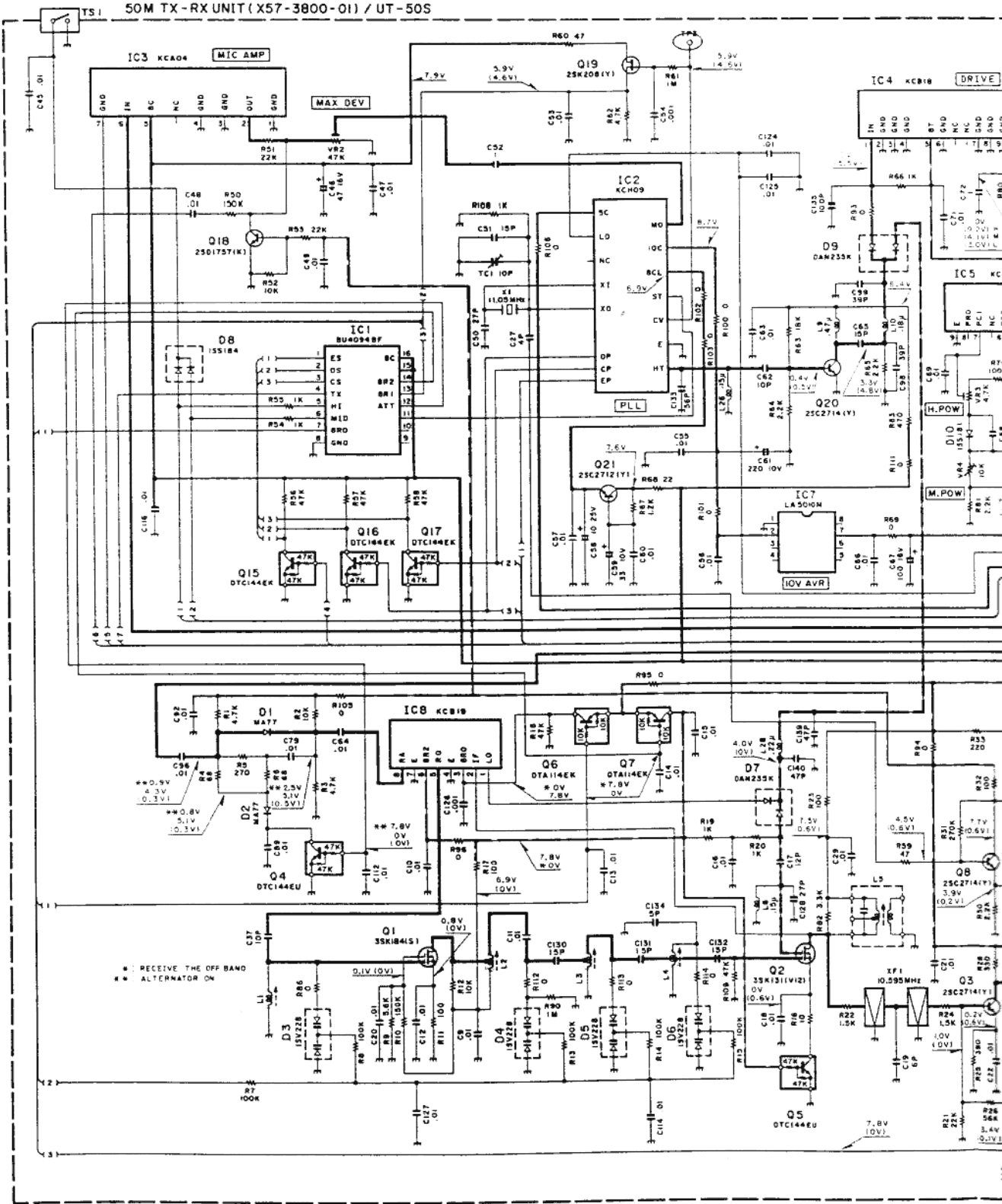
www.hamdirectory.info

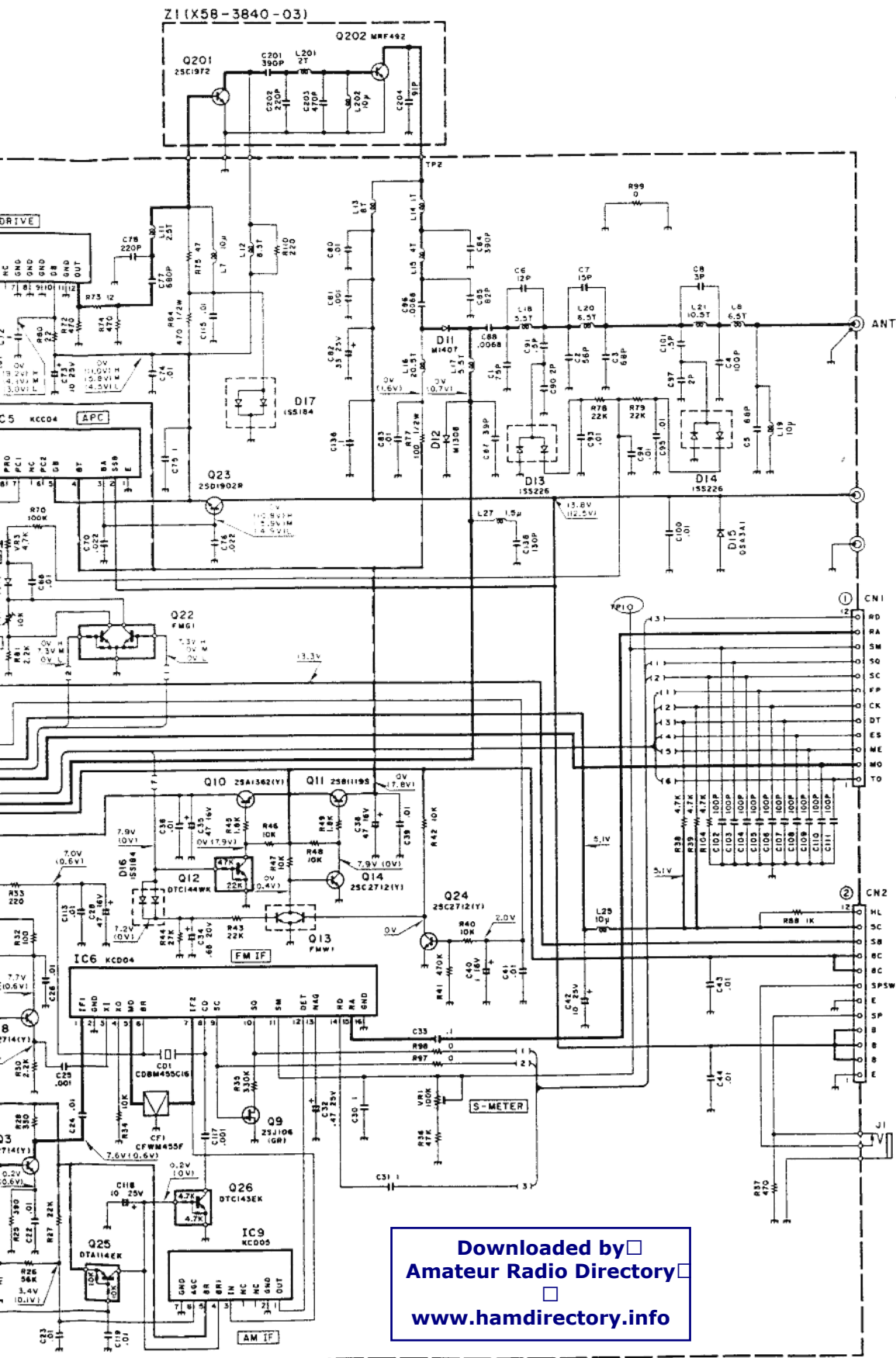
 : Component side pattern  : Foil side pattern

50M TX-RX UNIT (X57-3800-01): UT-50S(M)

Downloaded by Amateur Radio Directory
www.hamdirectory.info

— Signal line — Control line — Common DC line





2

3

4

5

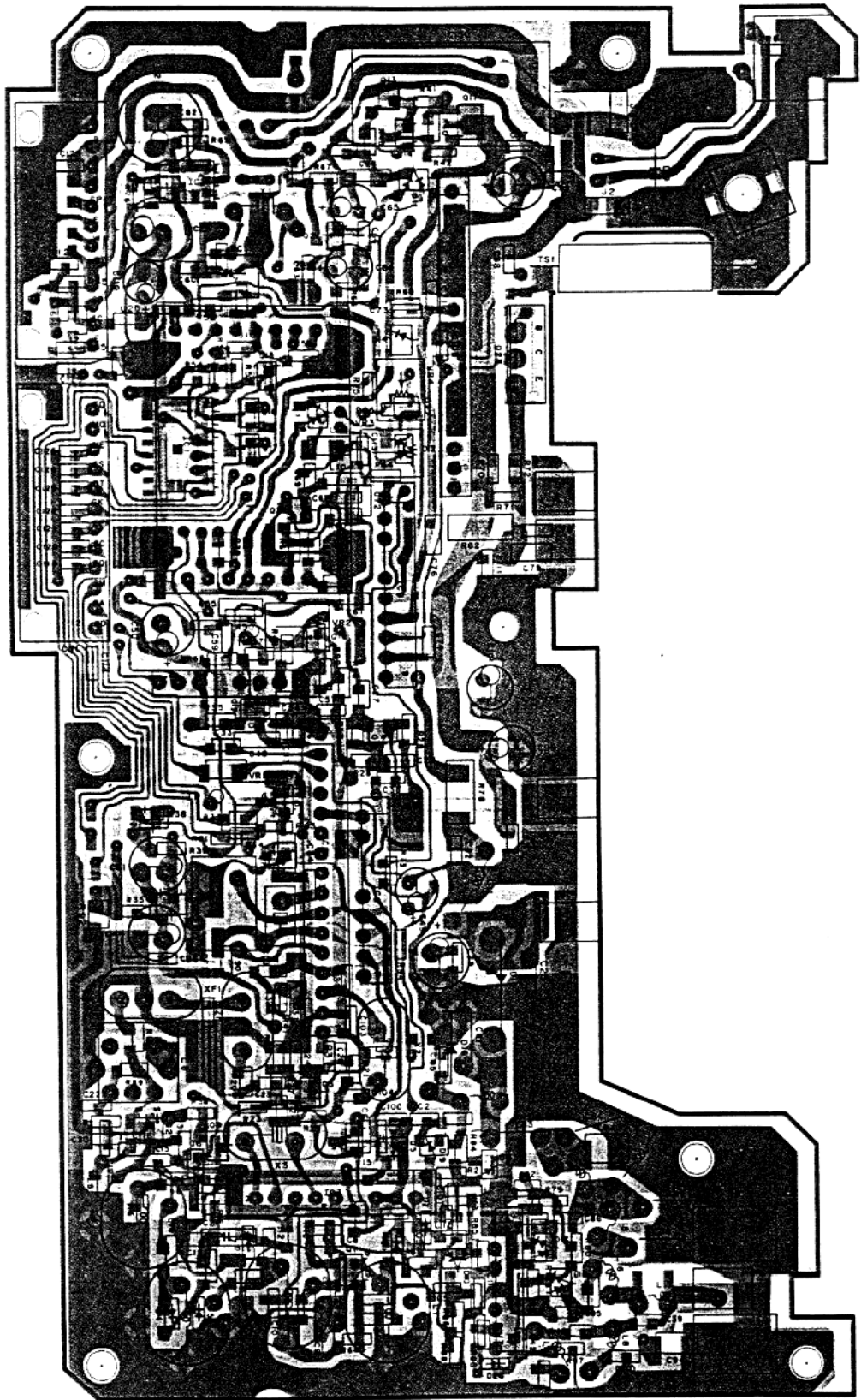
6

7

144M TX-RX UNIT (X57-3580-12) :641A, 741A, 741E

Component side view

IC1:BU4094BF IC2:LA5010M IC5:KCD04 IC6:KCD05 IC7:KCA04 IC8:KCB11 IC9:KCC04 IC10:S-AV17 IC11:KCH05
O1:3SK184(S) O2:3SK131(V12) O3:202SC271(4V1) O4:DI1A114YK O5:6-DTC123JK O7:DTC143EK O10:2SA1362(Y) Q11:2SB1119S Q12:DTC144WK
Q13, 14, 21:2SC2712(Y) Q15-17:DTC144EK Q18:2SD1757(K) Q19-25:K208(V) Q22:F-MG1 Q23:2SD1902R Q24:2SJ106(GR)
D1, 3, 4, 6:1SV164 D2, 5, 7:1SV166 D11, 12:1SS184 D13:DAN235(K) D14:1SS181 D15:M1407 D16:M308 D17, 18:1SS226 D19:DSA3A1



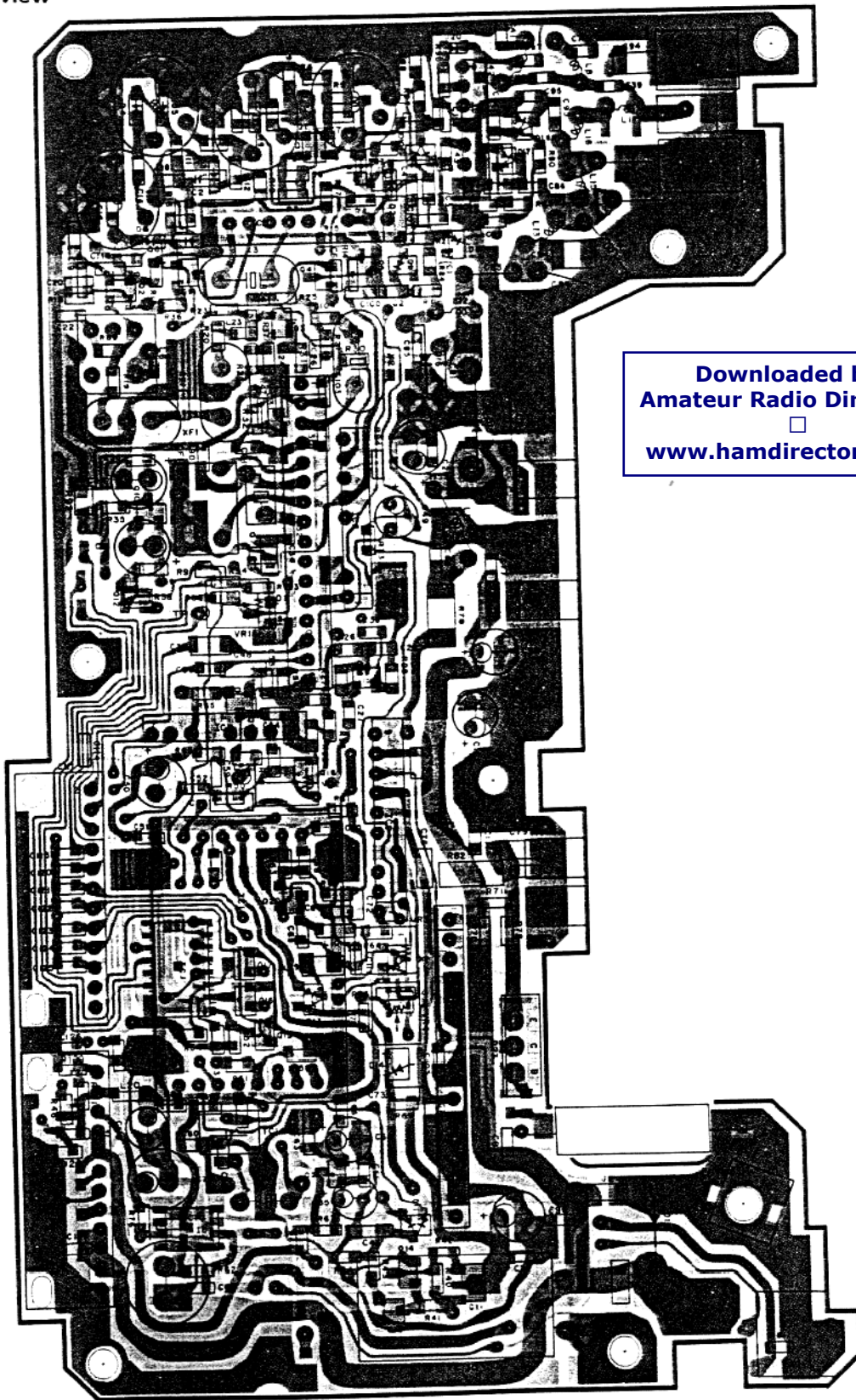
: Component side pattern : Foil side pattern

BOARD VIEW

144M TX-RX UNIT (X57-3580-12) :641A, 741A, 741E



Foil side view

IC1:BU4094BF IC2:L:A5010M IC5:K:CD04 IC6:K:CD05 IC7:K:CA04 IC8:K:CB11 IC9:K:CC04 IC10:S:AV17 IC11:K:CH05
Q1:3SK184(S) Q2:3SK131(W) Q3: 20:2SC2714(Y) Q4:D1A114(YK) Q5: 6:DTC123JK Q7:DTC143EK Q10:2SA1362(Y) Q11:2SB1119S Q12:DTC144WK
Q13: 14: 21:2SC2712(Y) Q15-17:DTC144EK Q18:2SD175(K) Q19:2SK208(Y) Q22:F:MG1 Q23:2SD1902R Q24:2SJ106(GRI)
D1, 3, 4: 6:1SV164 D2, 5, 7:1SV166 D11, 12:1SS184 D13:DAN235(K) D14:1SS181 D15:M1407 D16:M1308 D17, 18:1SS226 D19:DSA3A1



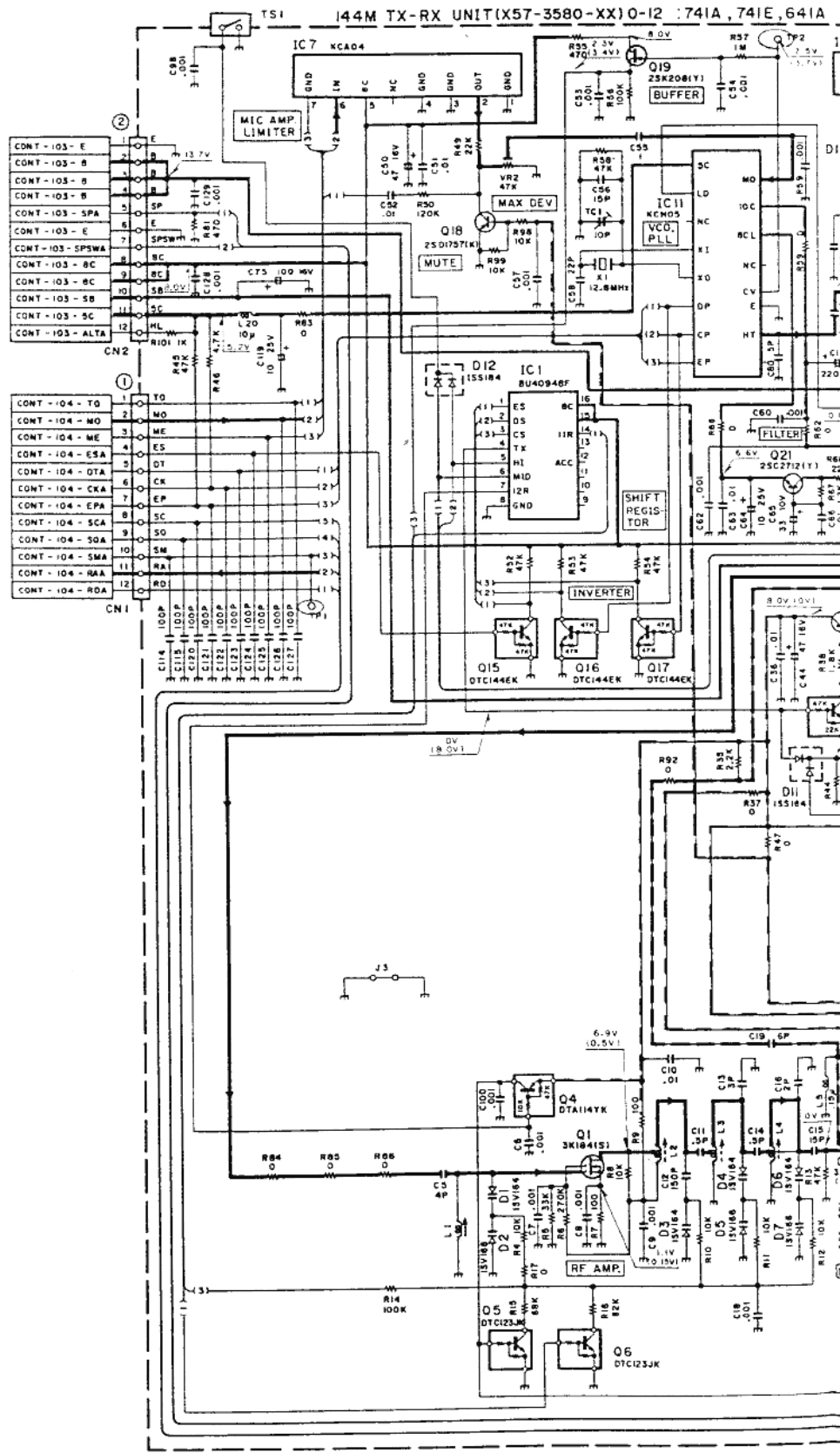
Downloaded by
Amateur Radio Directory

www.hamdirectory.info

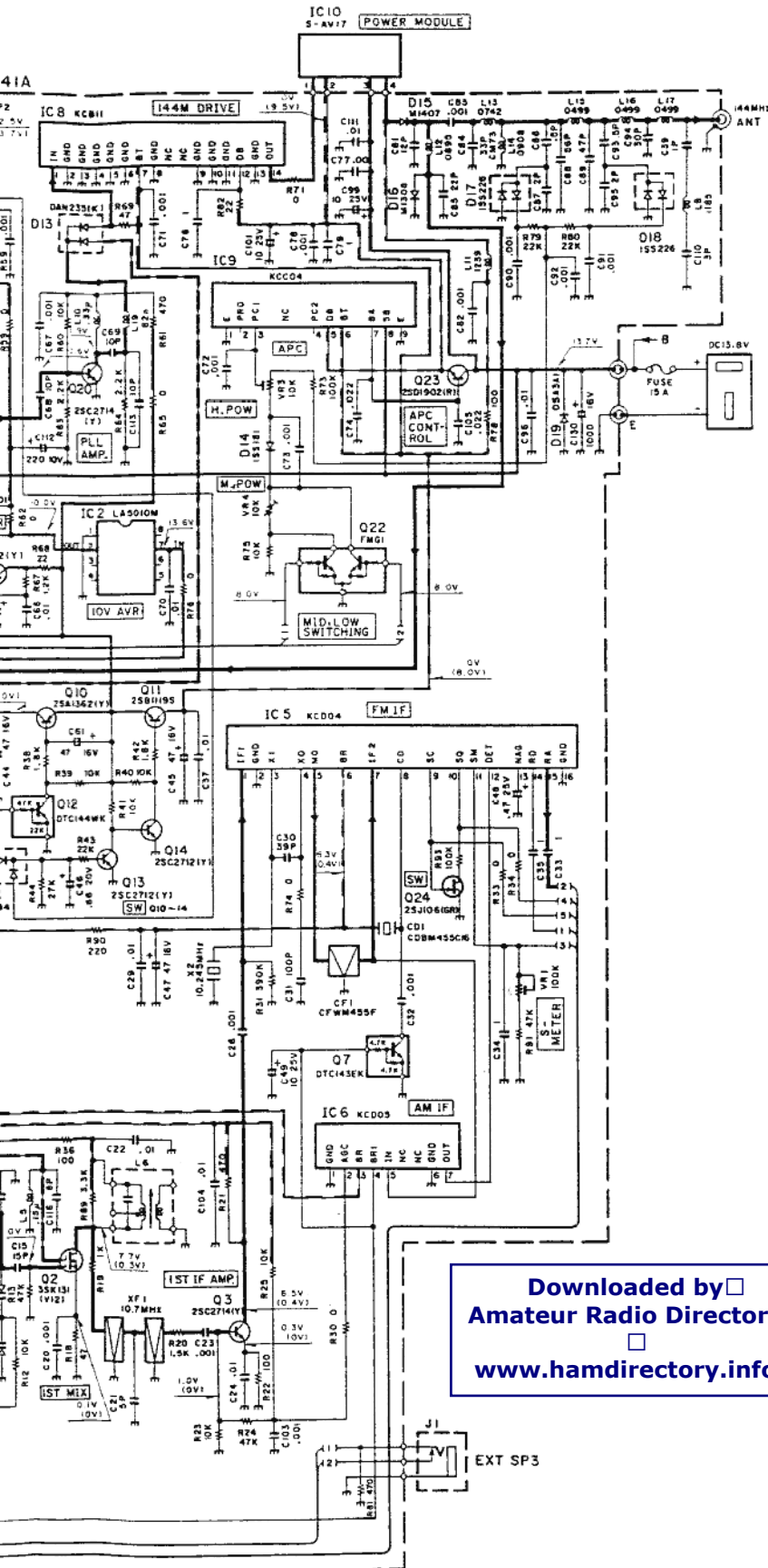
: Component side pattern  : Foil side pattern 

144M TX-RX UNIT (X57-3580-12): 641A, 741A, 741E

— Signal line — Control line — Common DC line



DIAGRAM



Downloaded by
Amateur Radio Directory

www.hamdirectory.info

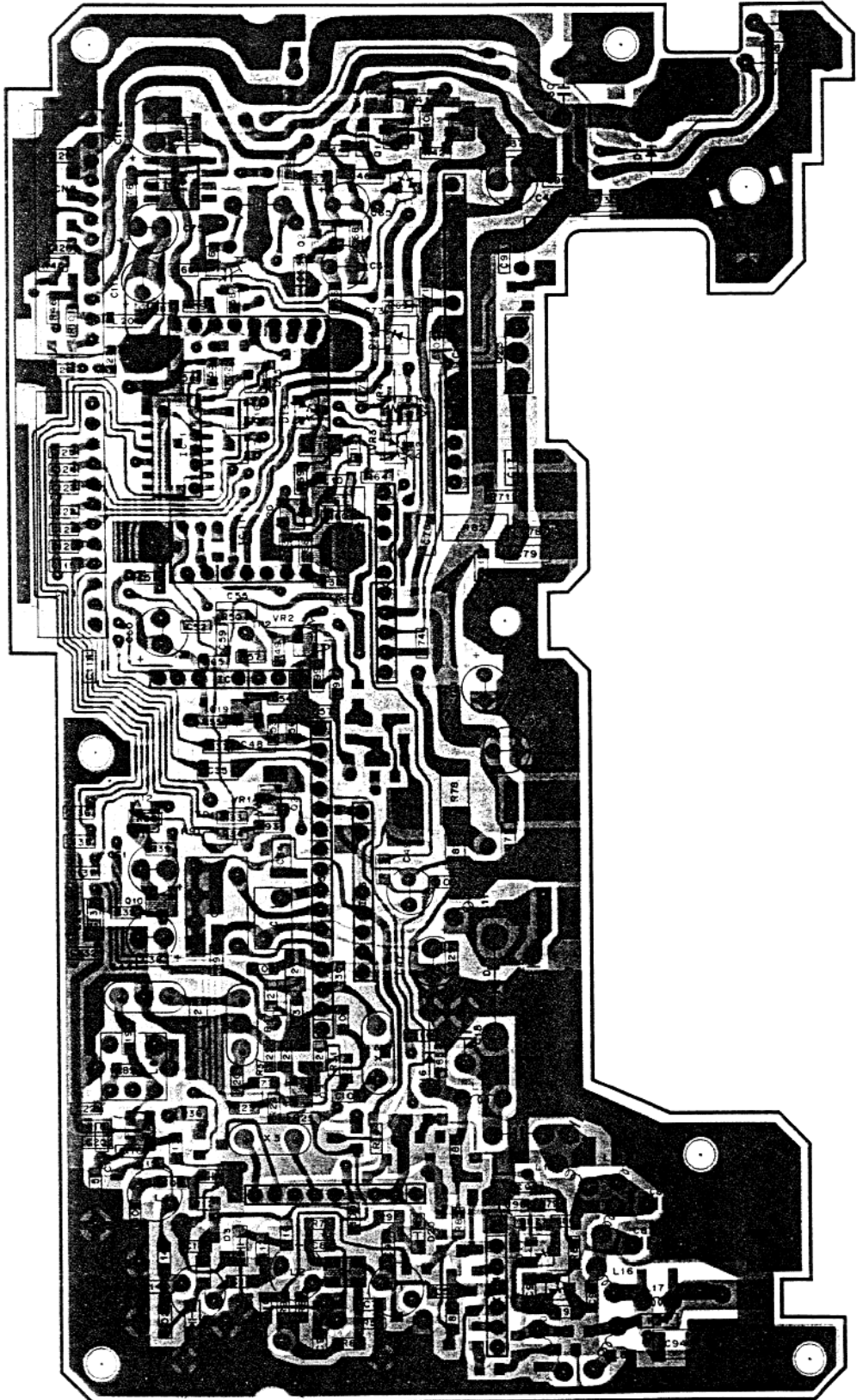
TM-641A/741A/741E

PC BO

220M TX-RX UNIT (X57-3810-10) : TM-641A(K), UT -220S(K)

Component side view

IC1: 81JA0948F IC2: LA5009M IC5: KCD04 IC7: KCA04 IC8: KCB15 IC9: KCC04 IC10: M57774 IC11: KCH08 Q1,2: 3SK184(S) Q3,20: 2SC2714(Y)
O10: 2SA1362(Y) O11: 2SB1119S O12: D1C144WK O13,14,21: 2SC2712(Y) O15-17: D1C144EK Q18: 2SD1757(K) O19: 2SK208(Y) Q22: FMG1 Q23: 2SD1902R
Q24: 2SJ106(GM) D3,5,7,20: 1SV164 D11,12: 1SS184 D13: DANZ35(K) D14: 1SS181 D15: M1407 D16: M1308 D17,18: 1SS226 D19: DSA341



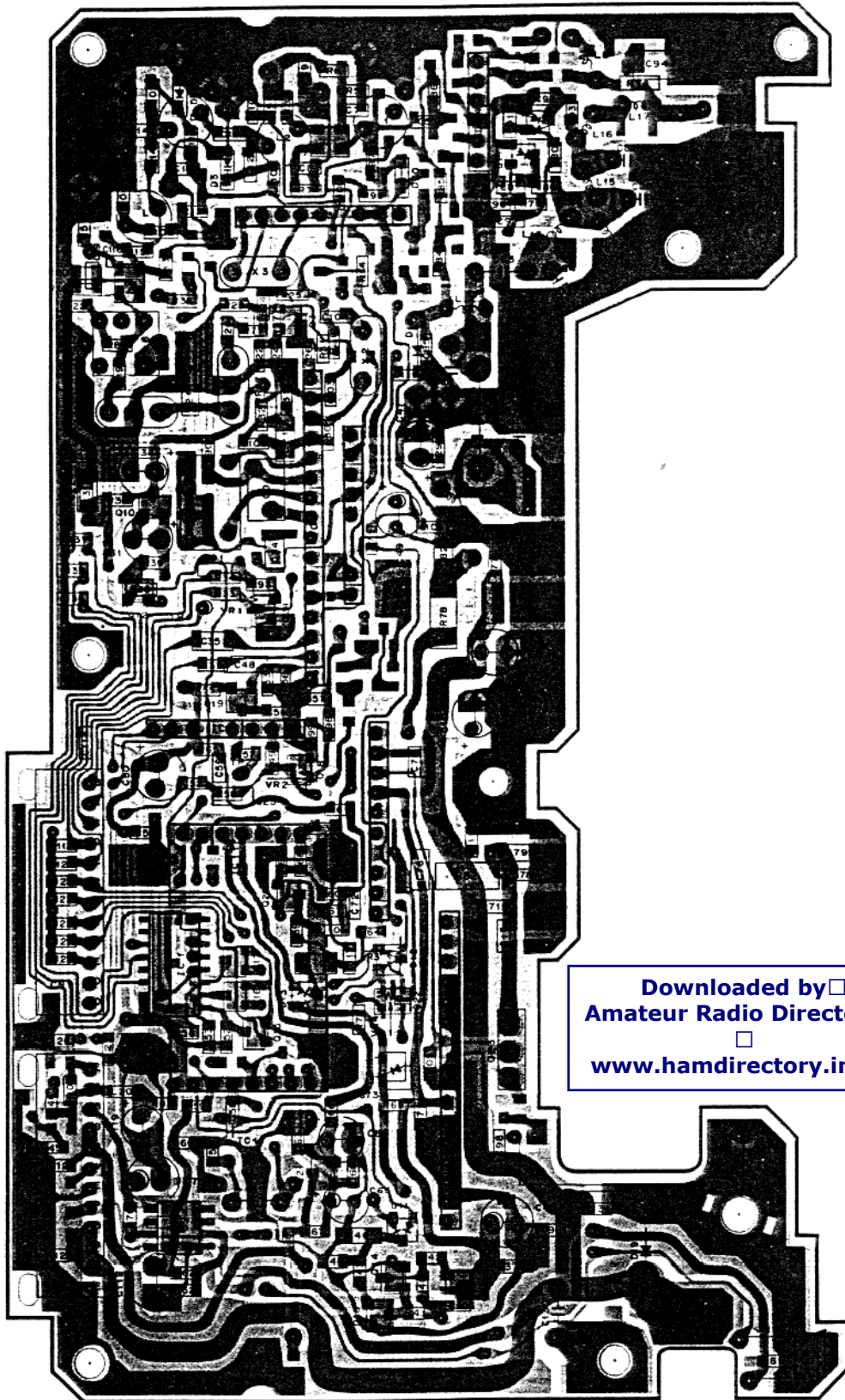
□ : Component side pattern ■ : Foil side pattern

BOARD VIEW

220M TX-RX UNIT (X57-3810-10) : TM-641A(K), UT -220S(K)

Foil side view

IC1: BU4094BF IC2: LA5009M IC5: KCDO4 IC7: KCA04 IC8: KCB15 IC9: KCC04 IC10: M57774 IC11: KCH08 Q1,2: 3SK184(S) Q3,20: 2SC2714(Y)
Q10: 2SA1362(Y) Q11: 2SB1119S Q12: DTC144WK Q13,14,21: 2SC712(Y) Q15-17: DTC144EK Q18: 2SD1757(K) Q19: 2SK208(Y) Q22: FMG1 Q23: 2SD1902R
Q24: 2SJ106(GR) D3,5,7,20: 1SV164 D11,12: 1SS184 D13: DAN235(K) D14: 1SS181 D15: M1407 D16: M1308 D17,18: 1SS226 D19: DSA341



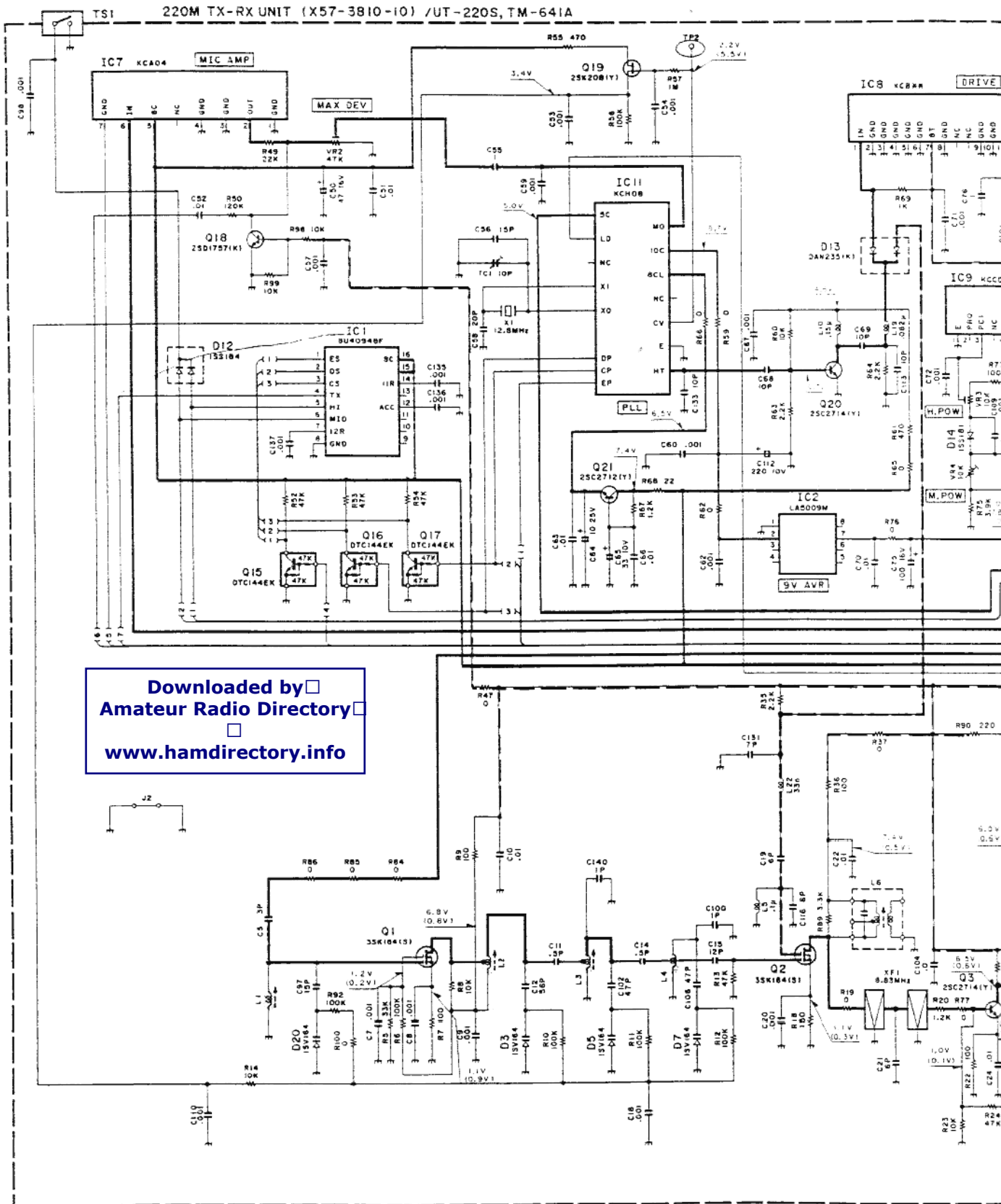
Downloaded by
Amateur Radio Directory

www.hamdirectory.info

: Component side pattern : Foil side pattern

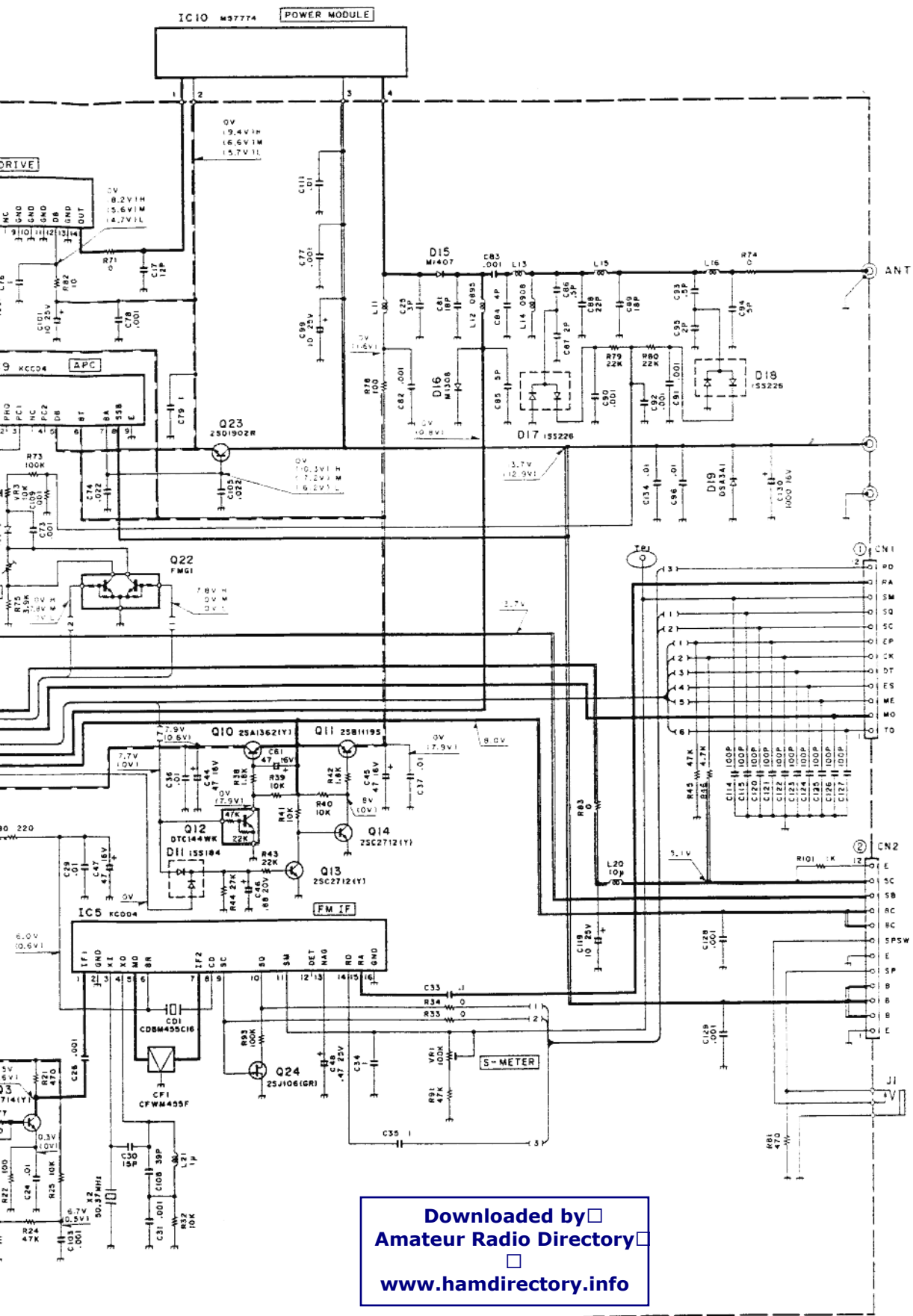
220M TX-RX UNIT (X57-3810-10): TM-641A(K), UT-220S(K)

— Signal line — Control line — Common DC line



Downloaded by Amateur Radio Directory

www.hamdirectory.info



Downloaded by Amateur Radio Directory
www.hamdirectory.info

TM-641A/741A/741E

PC BOA

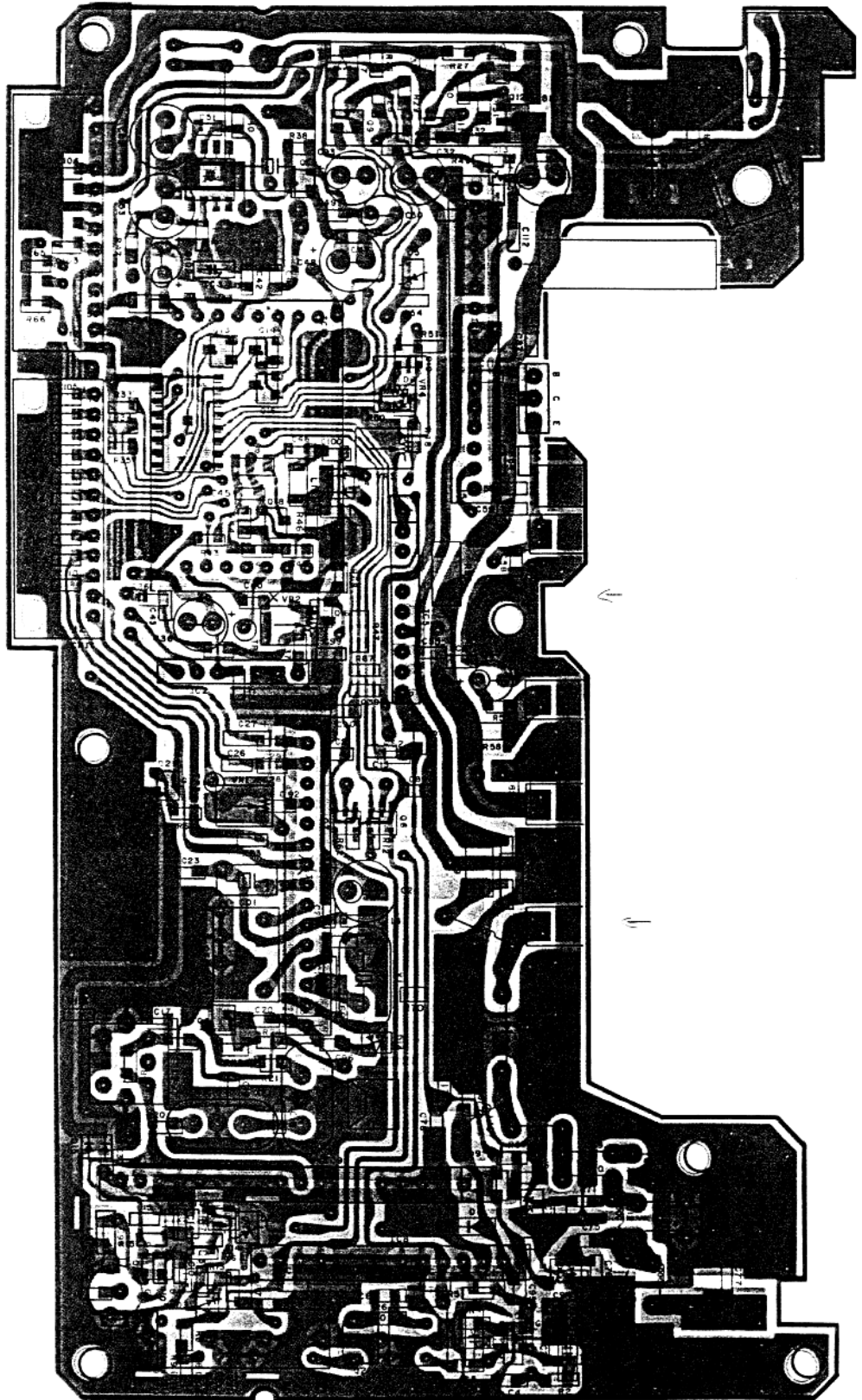
430/440M TX-RX UNIT (X57-359X-XX)

0-12: 741A (K, P), UT-440S (K),

Component side view

0-22: 741A (M, M2), 2-72: 741E (E)

IC1:KCD04 IC2: KCA04 IC3:BU4094BF IC4:LA 5010M IC5:KCC04 IC6:KCB14 IC7:M57788M IC8:KCB12 IC9:KCB13 IC10:KCH07
 O1:33SK184(S) O2:25K582 O4: D1C114EK O5: 25C2714(Y) O6:7, FMA5 O8:2SA1362(Y) O9: D1C144WK O10, 11, 17:2SC2712(Y) Q12:2SB1119S Q13-15:D1C144EK
 Q16:2SD1757(K) Q18:2SC3123 Q19:FMG1 Q20:2SD1760(Q) Q21:2SJ106(GR) D1:H5K277 D2:1SV128 D3:1SS184 D4, 15:MA862 D5:1SS181 D6, 7, 13:1SS184 D8:MI407 D9:MI309 D10, 11, 14:MA716 D12:DSA3A1



○ : Component side pattern ■ : Foil side pattern

BOARD VIEW

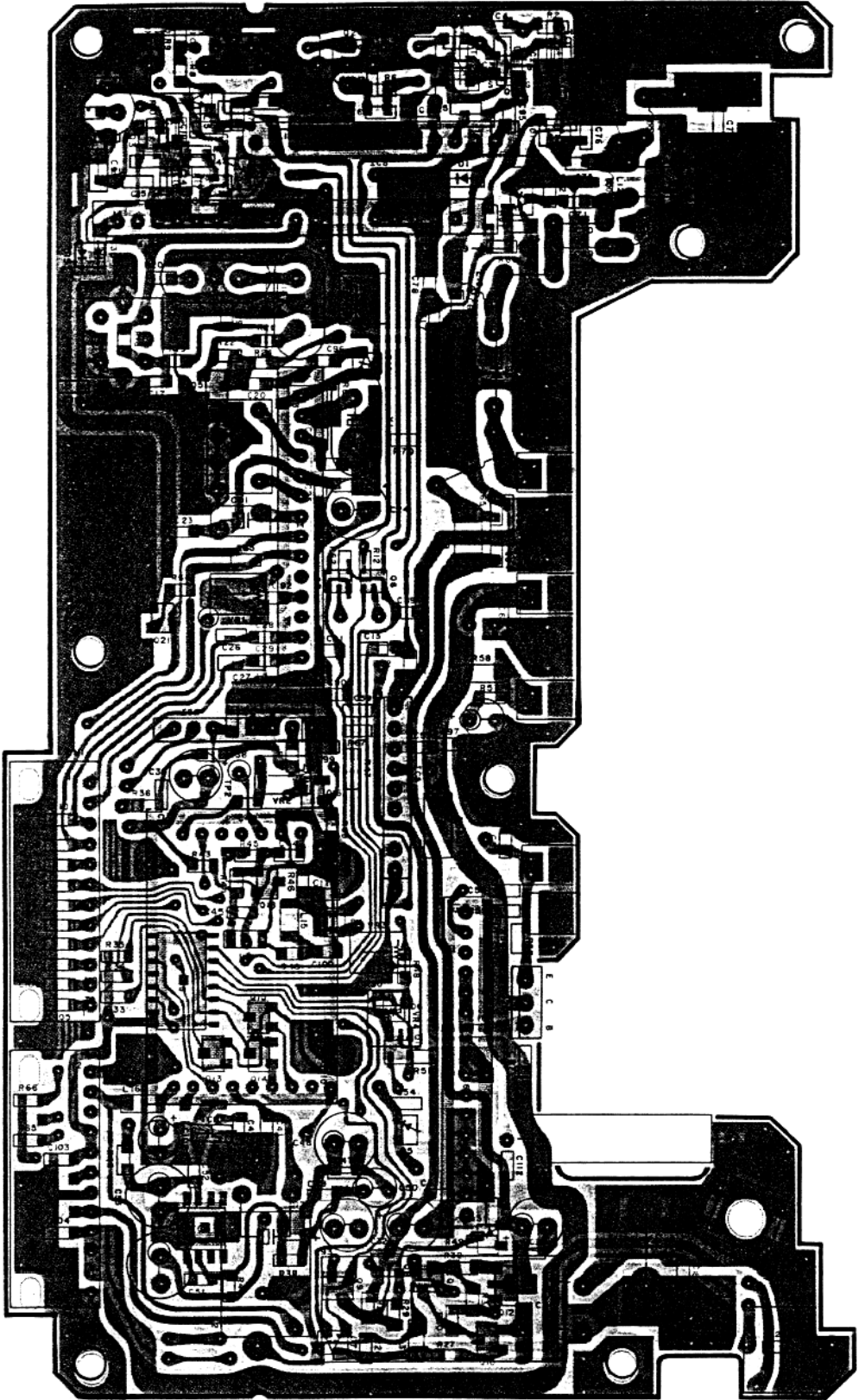
430/440M TX-RX UNIT (X57-359X-XX)

0-12: 741A (K, P), UT-440S (K),

Foil side view

0-22: 741A (M, M2), 2-72: 741E (E)

IC1:KCD04 IC2: KCA04 IC3:BU4094BF IC4:LA 5010M IC5:KCC04 IC6:KCB14 IC7:M57788M IC8:KCB12 IC9:KCB13 IC10:KCH07
O1:33SK184(S) O2:2SK582 O4: DTC114EK O5: 2SC2714(Y) O6:7- FMA5 O8:2SA1362(Y) O9: DTC144WK Q10,11,17:2SC712(Y) Q12:2SB1119S Q13-15:DTC144EK
Q16:2SD1757(K) Q18:2SC3123 Q19:F-MGT Q20:2SD1760(Q) Q21:2SJ106(GR)
D1:HSK277 D2:1SV128 D3:ISS184 D4,15:MA862 D5:ISS181 D6, 7, 13:1SS184 D8:MI407 D9:MI308 D10, 11, 14:MA716 D12:DSA3A1

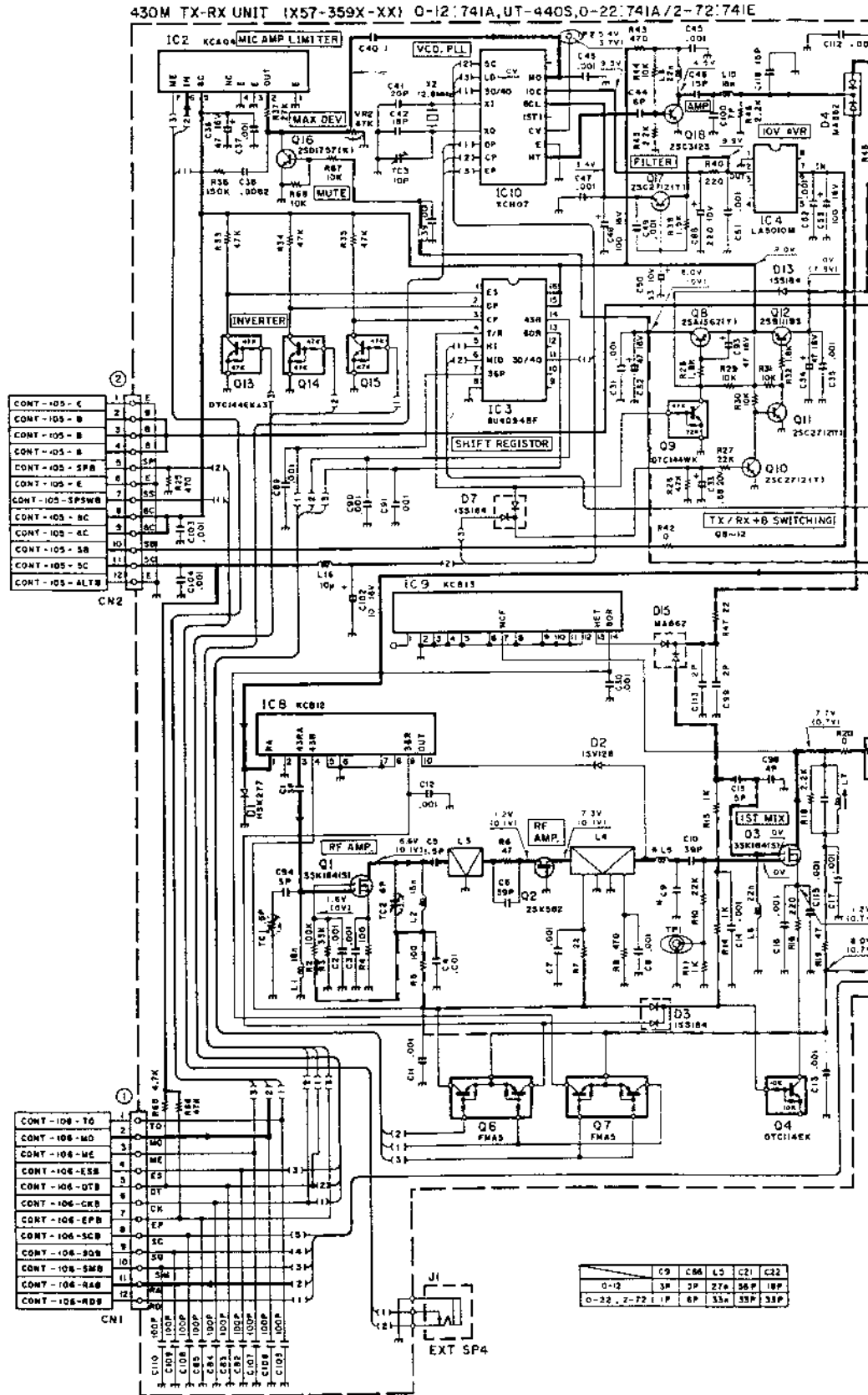


: Component side pattern  : Foil side pattern

SCHEMATIC DIA

430/440M TX-RX UNIT (X57-359X-XX) 0-12:741A (K, P), UT-440S(K), 0-22:741A (M)

— Signal line — Control line — Common DC line



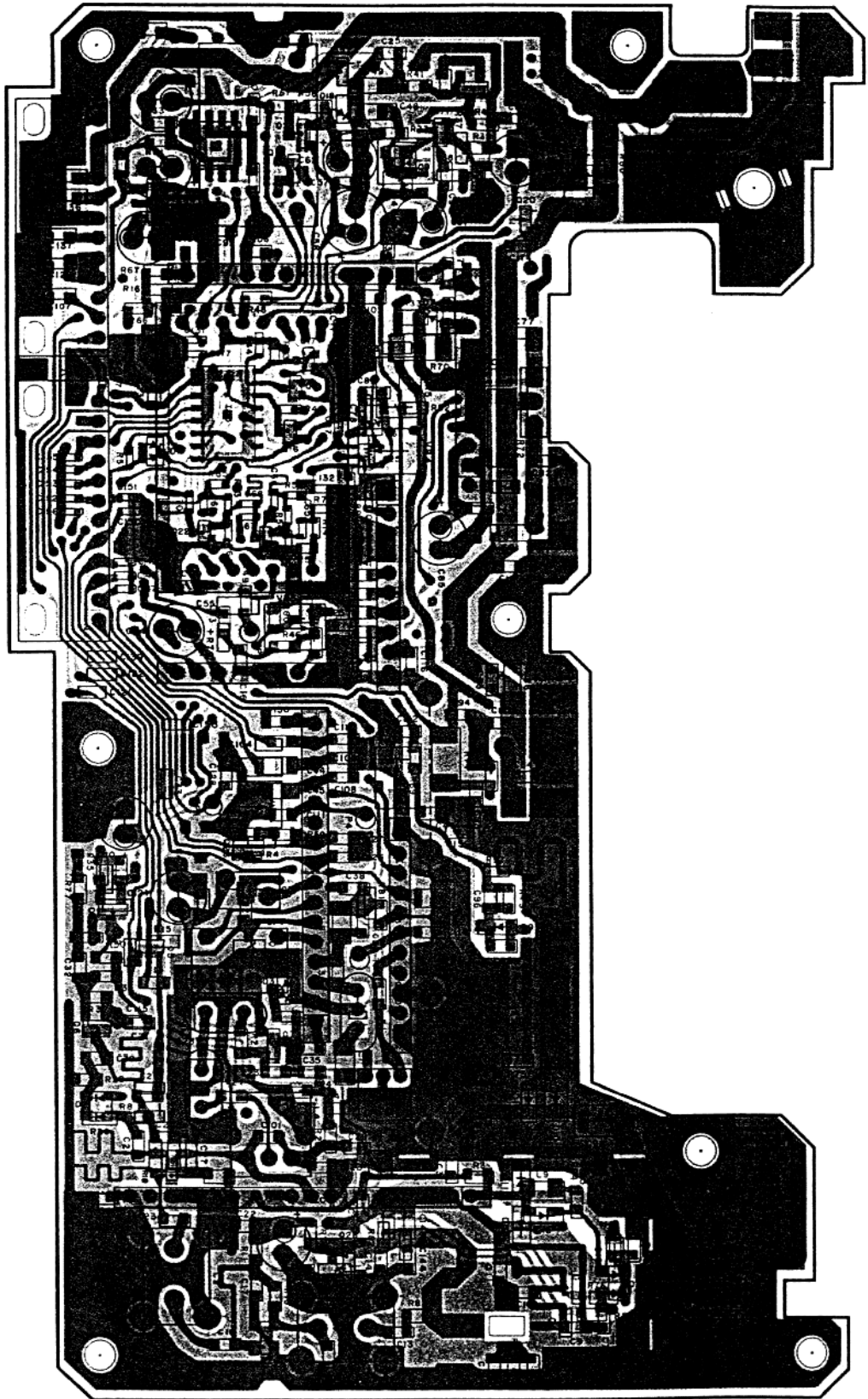
TM-641A/741A/741E

PC BO

1200M TX-RX UNIT (X57-3600-11) :UT-1200 (M)

Component side view

IC2:KCD04 IC3:KX03 IC4:KCA04 IC5:BU4094BF IC6:LA5009M IC7:KCB09 IC8:KCB10 IC9:KCC04 IC10:M6771 IC11:KCH03 IC12:NUM78L05UA
Q1:MGT1502 Q2:2SC4095F(R47.6) Q3:3SK184(S) Q6:2SC3356 Q7:2SC3120 Q8:19:2SA1362(Y) Q9:2SB1302S Q10:DTIC144WK
Q11:FMW1 Q12, 13, 23:2SC2712(Y) Q15-17:DTIC144EU Q18:2SD1757(K) Q20:STC124EK Q21, 22:2SC4226(R23, 24)
Q24:2SD1760(I) Q25:FMG1 Q26:2SJ106(GRI) Q28:DTIC144EK
D1:MA862 D3:MA716 D4, 6:1SS193 D5:02CZ6, 2(X), Y1 D7, 18:1SS187 D8:02CZ12(X, Y) D9:HSK151 D10-13:MI808 D14:DSA3A1 D15:02CZ3, 6(Y, Z)
D17:DAP20ZU D19:MI808



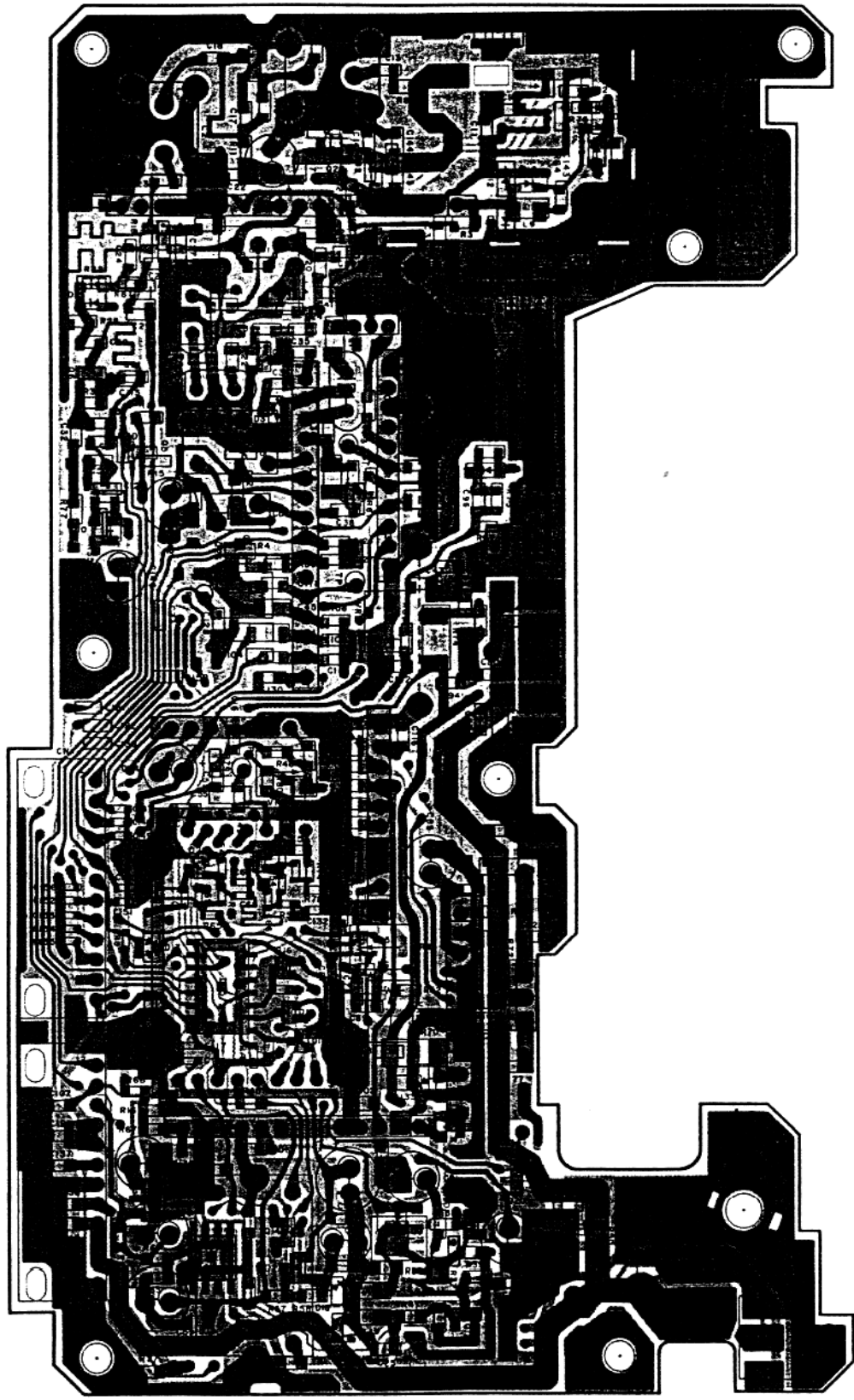
□ : Component side pattern ■ : Foil side pattern

BOARD VIEW

1200M TX-RX UNIT (X57-3600-11) :UT-1200 (M)

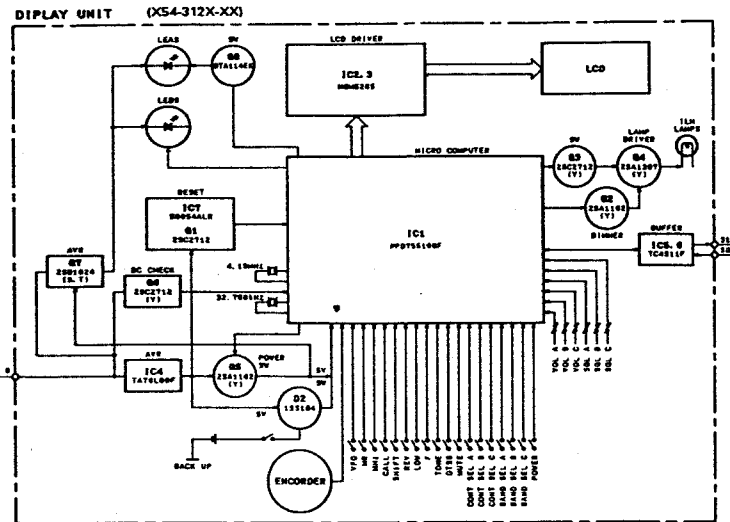
Foil side view

- IC2:KCD04 IC3:KCK03 IC4:KCA04 IC5:8UA094BF IC6:LA5009M IC7:KCB09 IC8:KCB10 IC9:KCC04 IC10:MA67711 IC11:KCH03 IC12:NUM78L05UA
- Q1:MGF1502 Q2:SC4095(R47.6) Q3:3SK184(S) Q6:ZSC3356 Q7:ZSC3120 Q8:19ZSA136Z(V) Q9:ZSB1302S Q10:DTIC144WK
- Q11:FMW1 Q12, 13, 23:ZSC2712(Y) Q15-17:DTIC144EU Q18:ZSD1757(K) Q20:STC124EK Q21,22:ZSC4226(R23,24)
- Q24:ZSD1760(Q) Q25:FMG1 Q26:ZSJ106(GR) Q28:DTIC114EK
- D1:MA862 D3:MA716 D4,6:ISS193 D5:02CZ62(X, Y) D7,18:ISS187 D8:02CZ12(X, Y) D9:HSK151 D10-13:MI808 D14:DSAA3A1 D15:02CZ3.6(Y, Z)
- D17:DAP202U D19:MI808



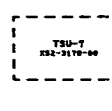
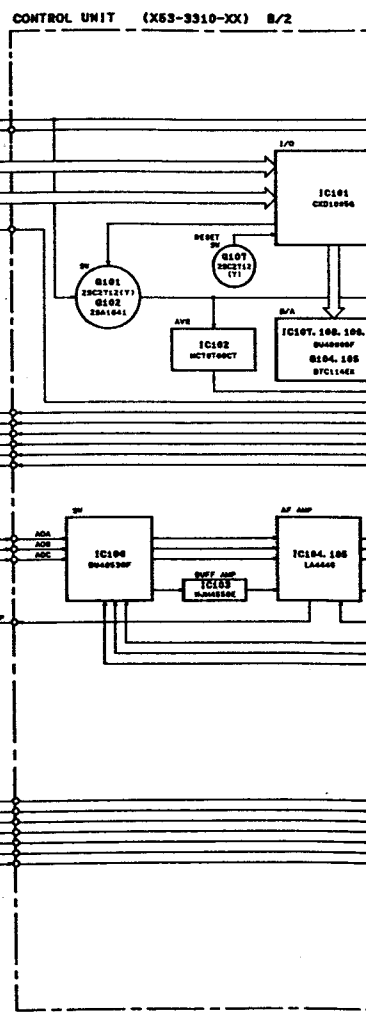
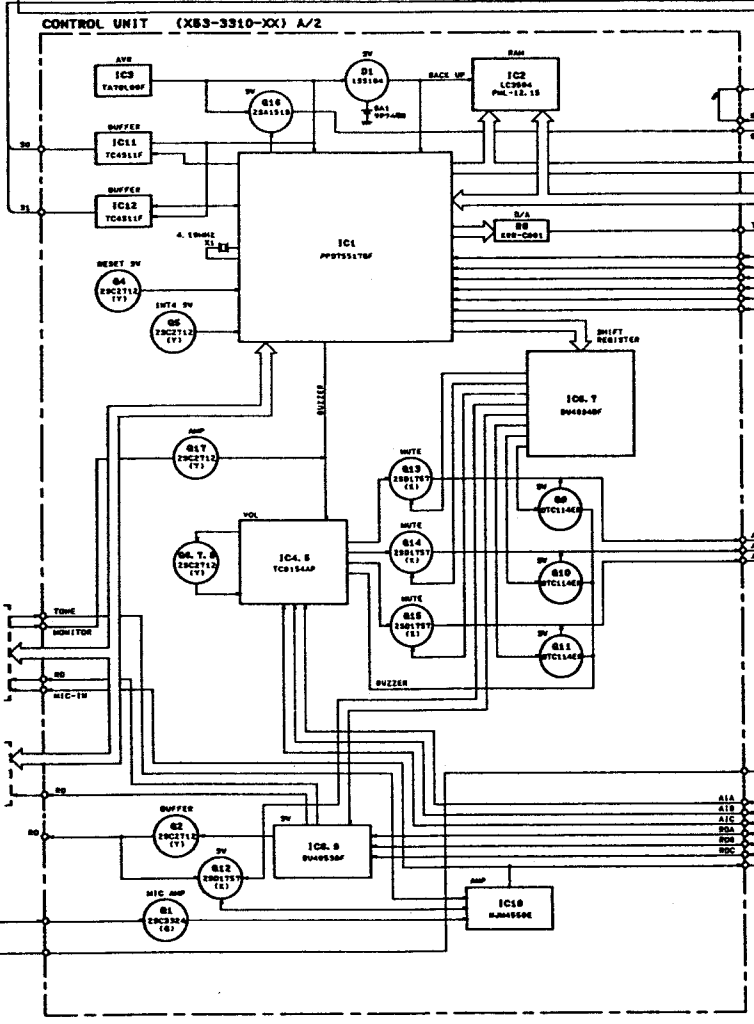
 : Component side pattern  : Foil side pattern

TM-641A

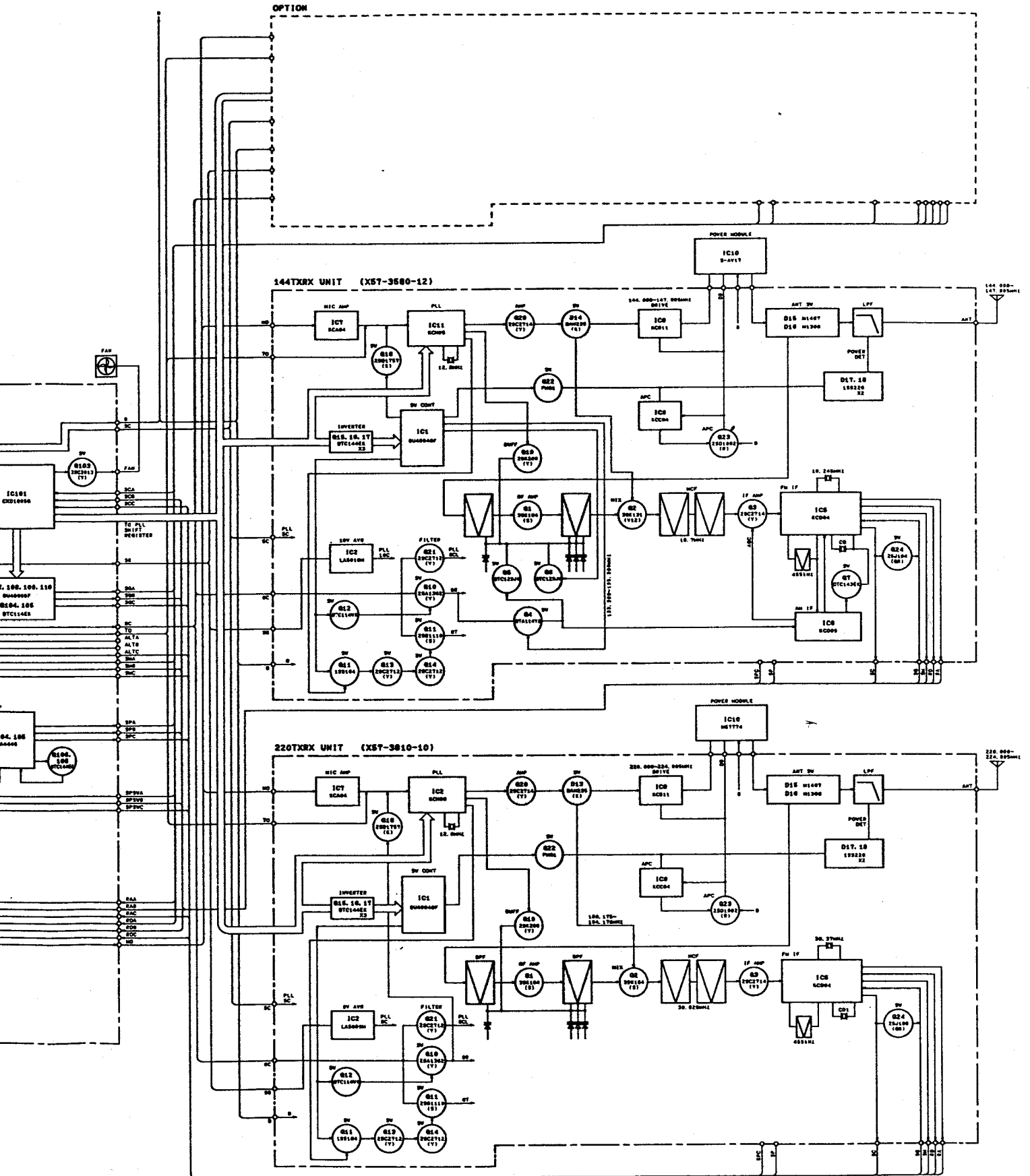


Downloaded by
 Amateur Radio Directory

www.hamdirectory.info

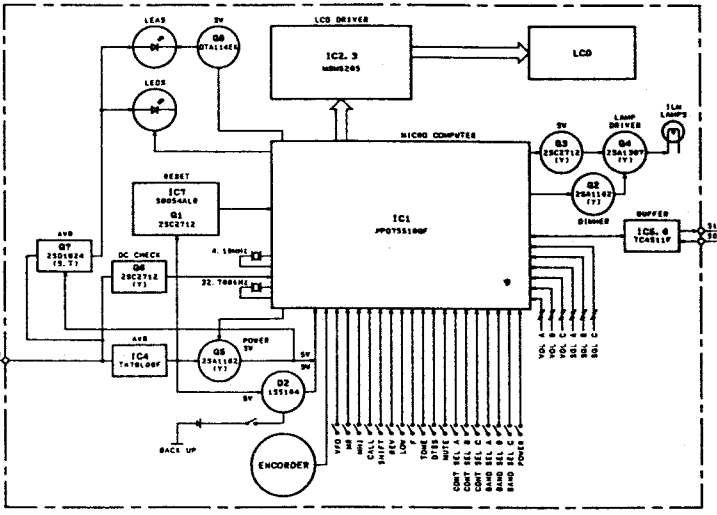


BLOCK DIAGRAM



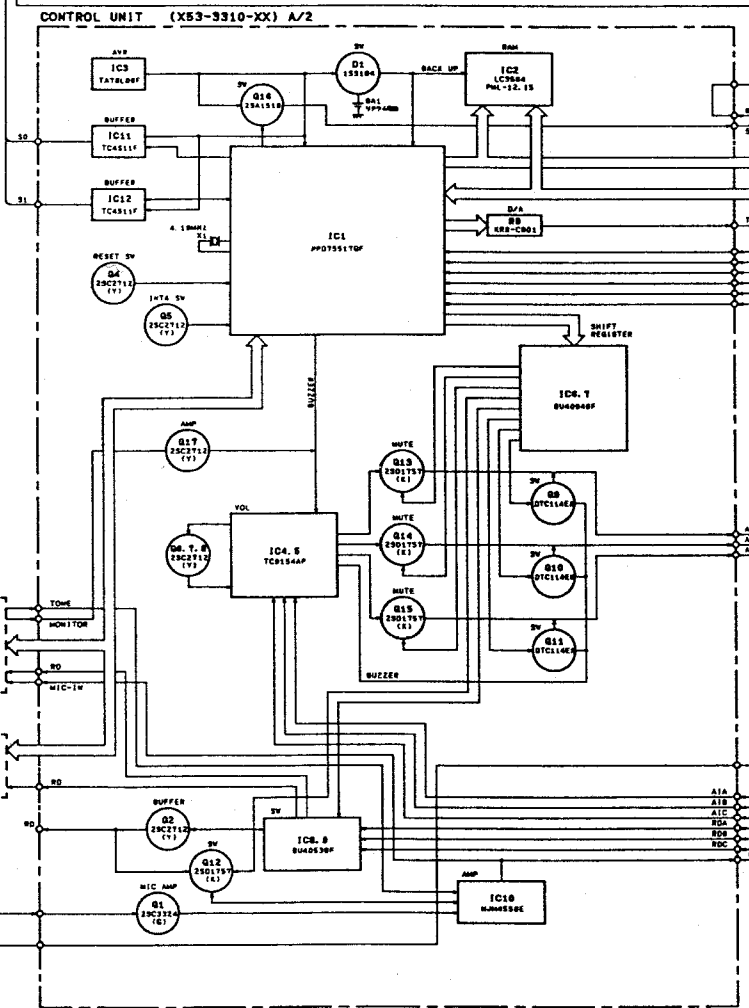
TM-741A/E

DISPLAY UNIT (X54-312X-XX)

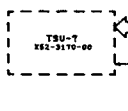
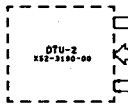
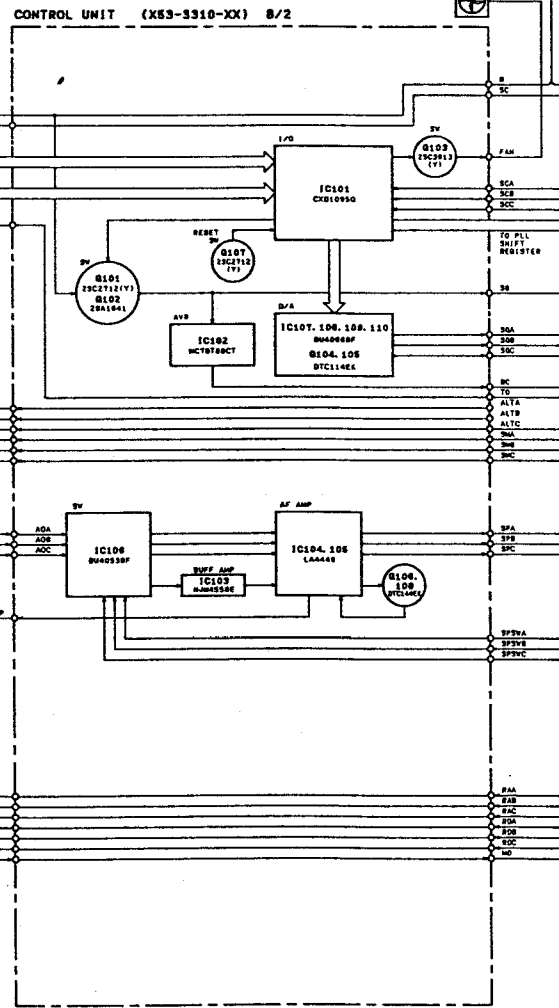


Downloaded by Amateur Radio Directory
www.hamdirectory.info

CONTROL UNIT (X53-3310-XX) A/2



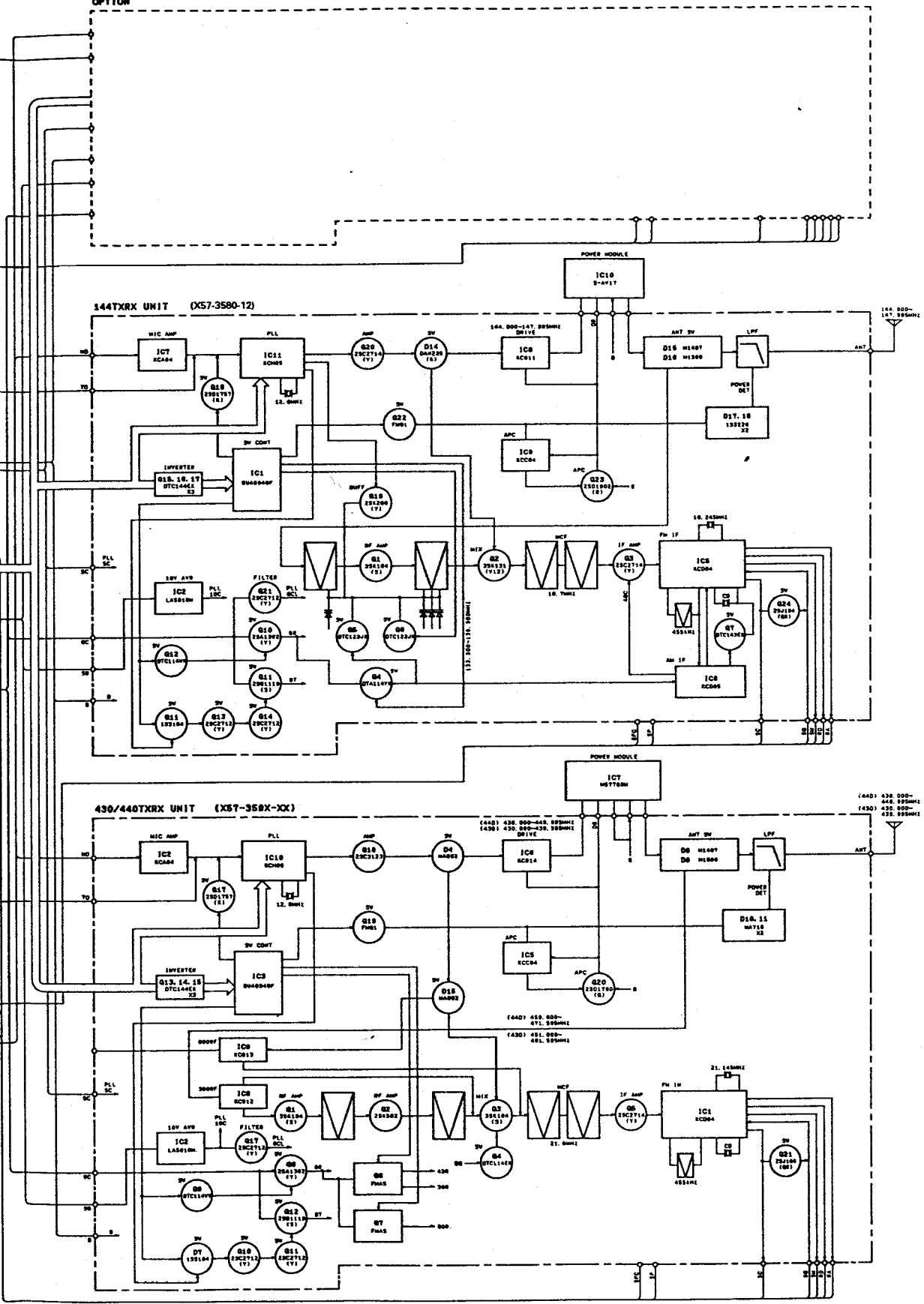
CONTROL UNIT (X53-3310-XX) B/2



OPTION

144TXRX UNIT (X57-3580-12)

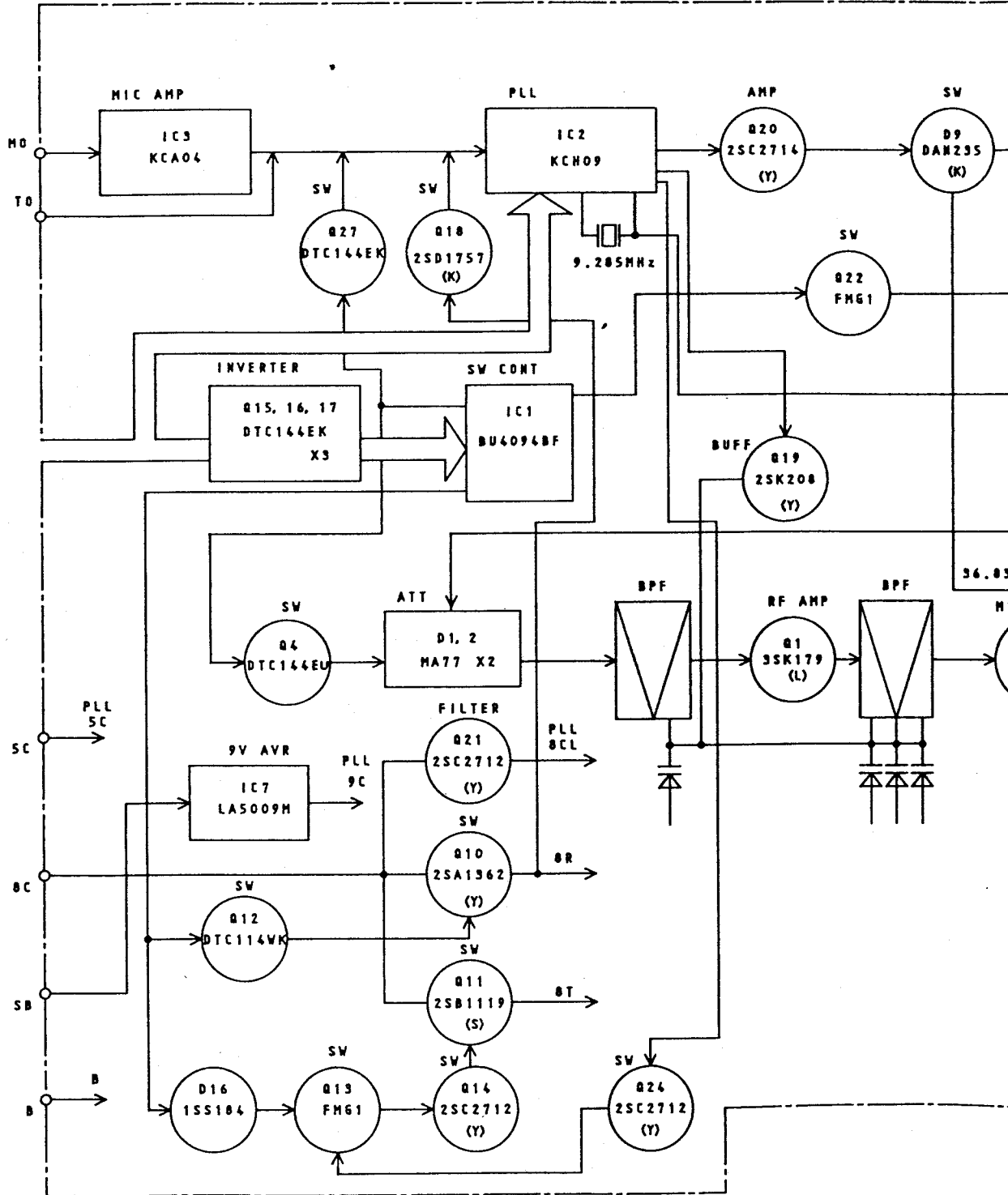
430/440TXRX UNIT (X57-358X-XX)



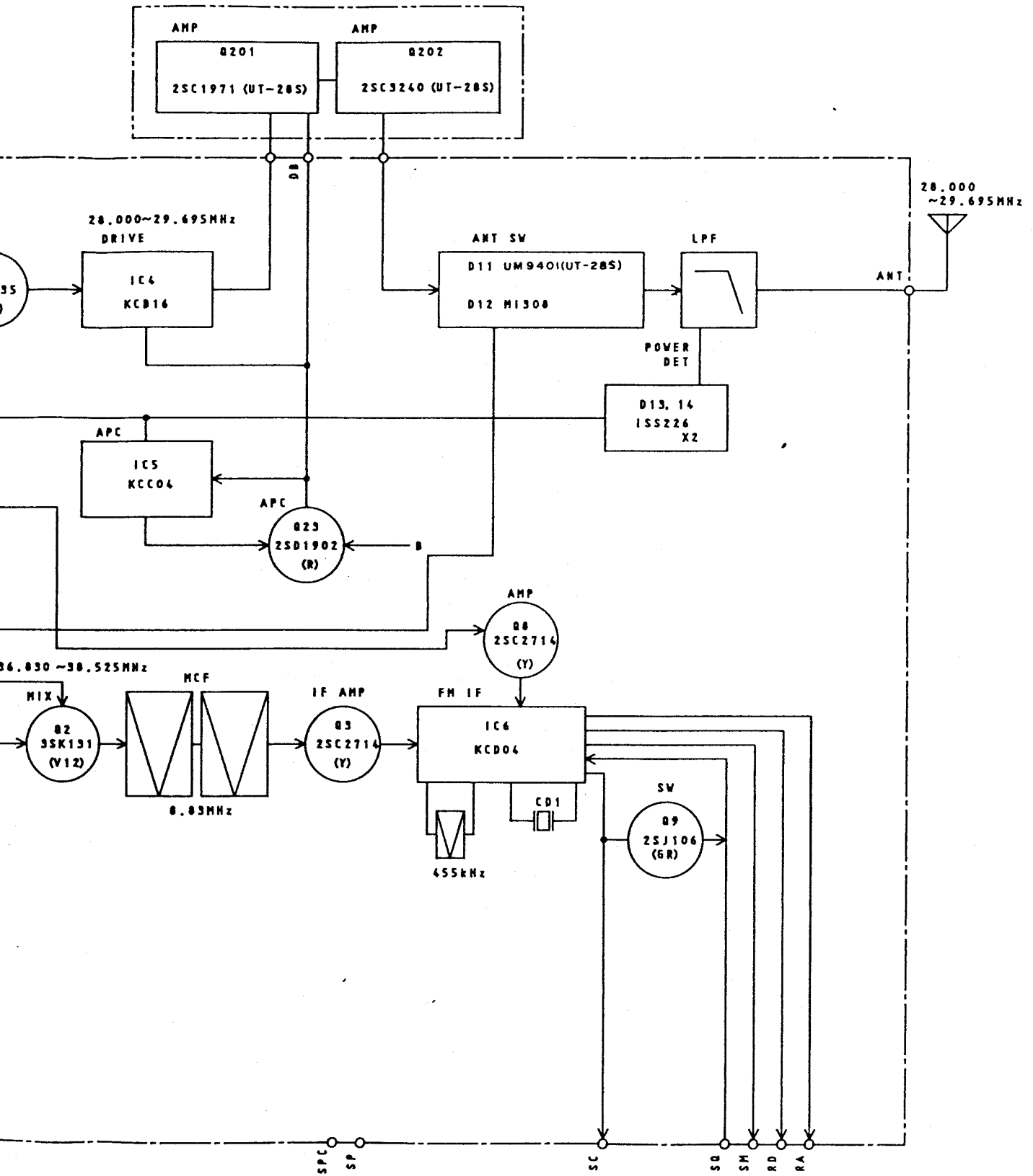
28M TX-RX UNIT (X57-3790-01): UT-28S(M)

Downloaded by
 Amateur Radio Directory

www.hamdirectory.info

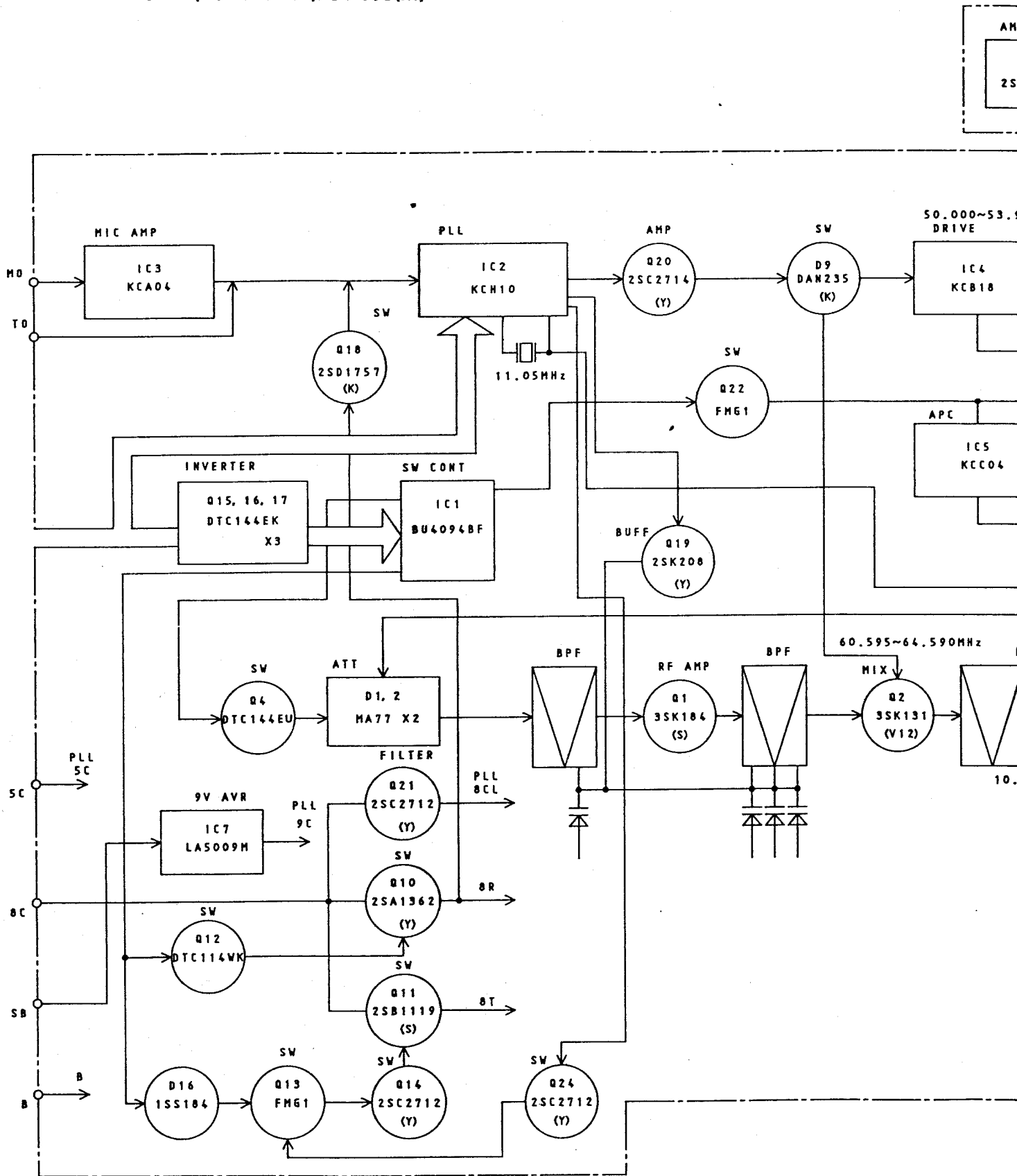


BLOCK DIAGRAM



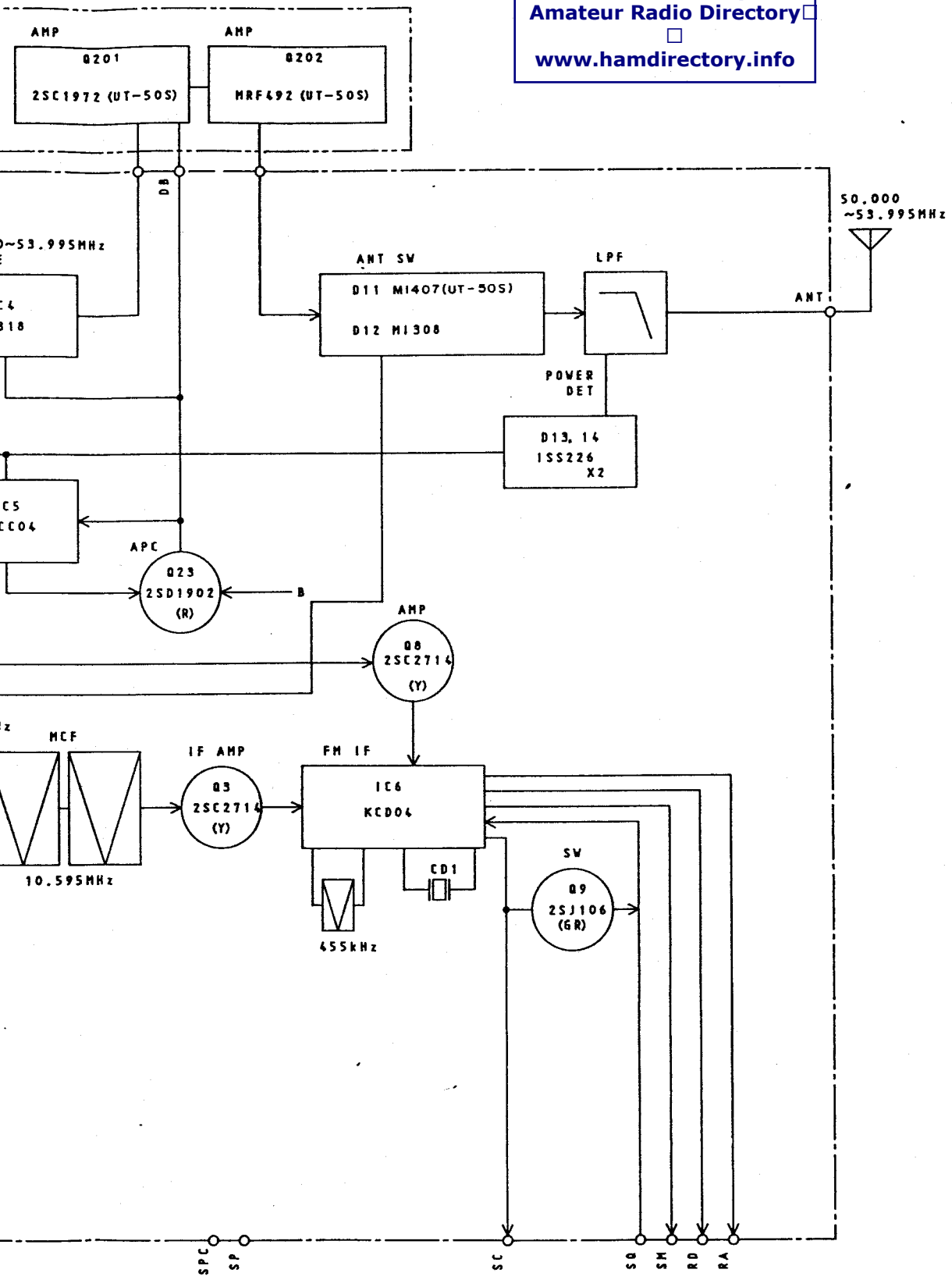
BLOCK DIAGRAM

50M TX-RX UNIT (X57-3800-01): UT-50S(M)

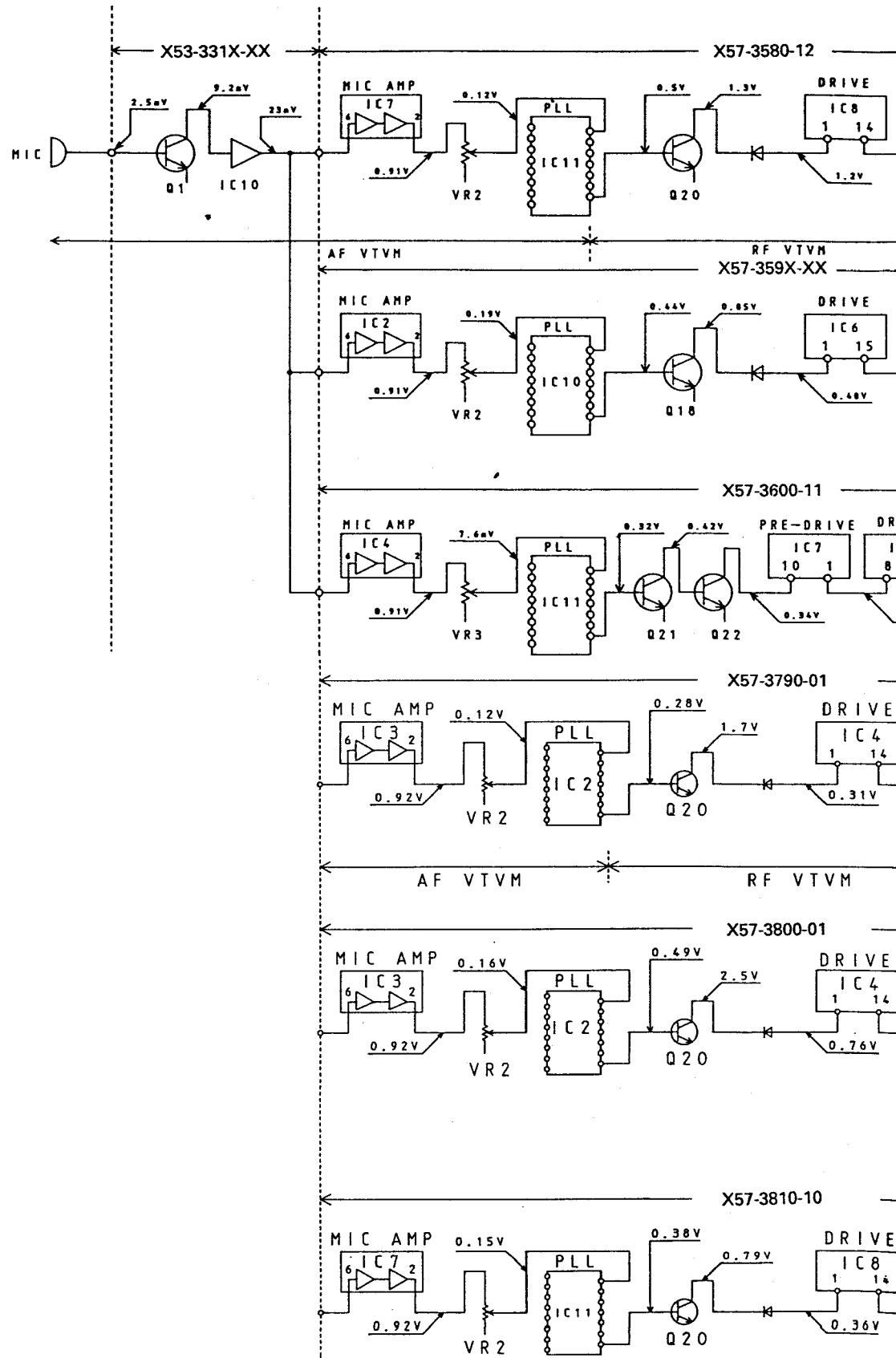


RAM

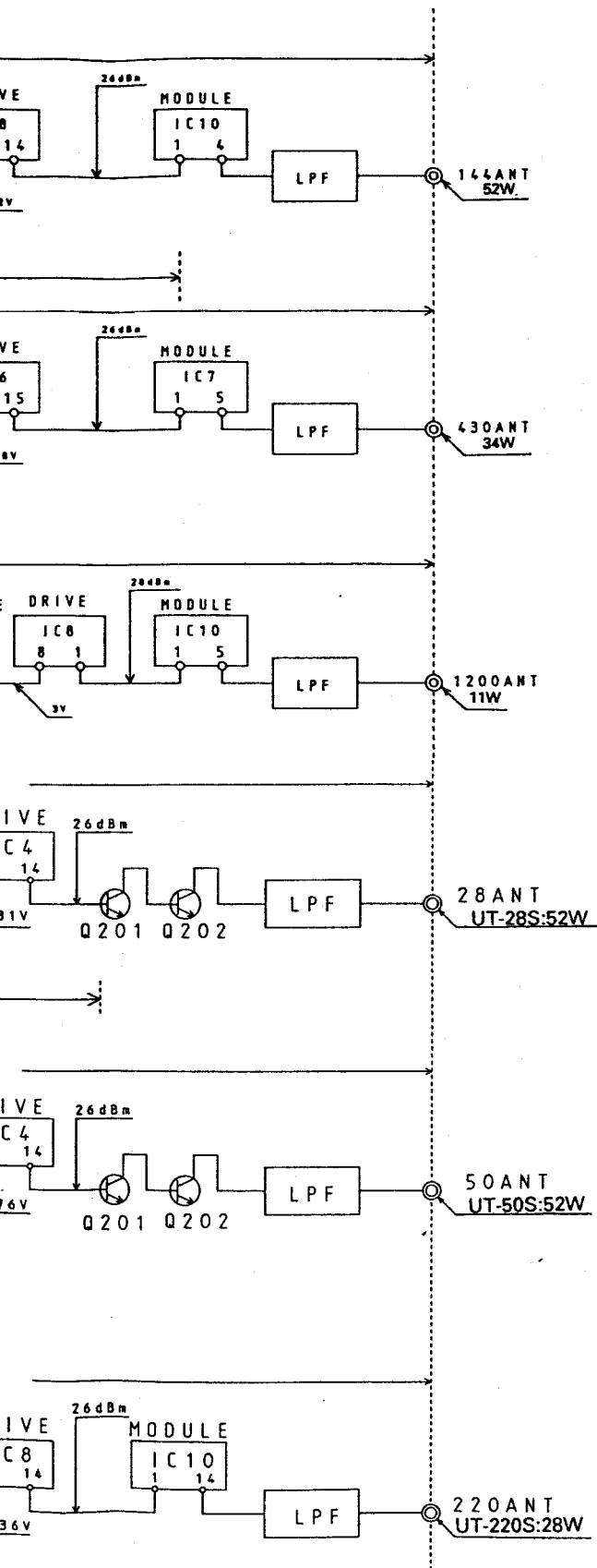
Downloaded by
Amateur Radio Directory
www.hamdirectory.info



Receiver section



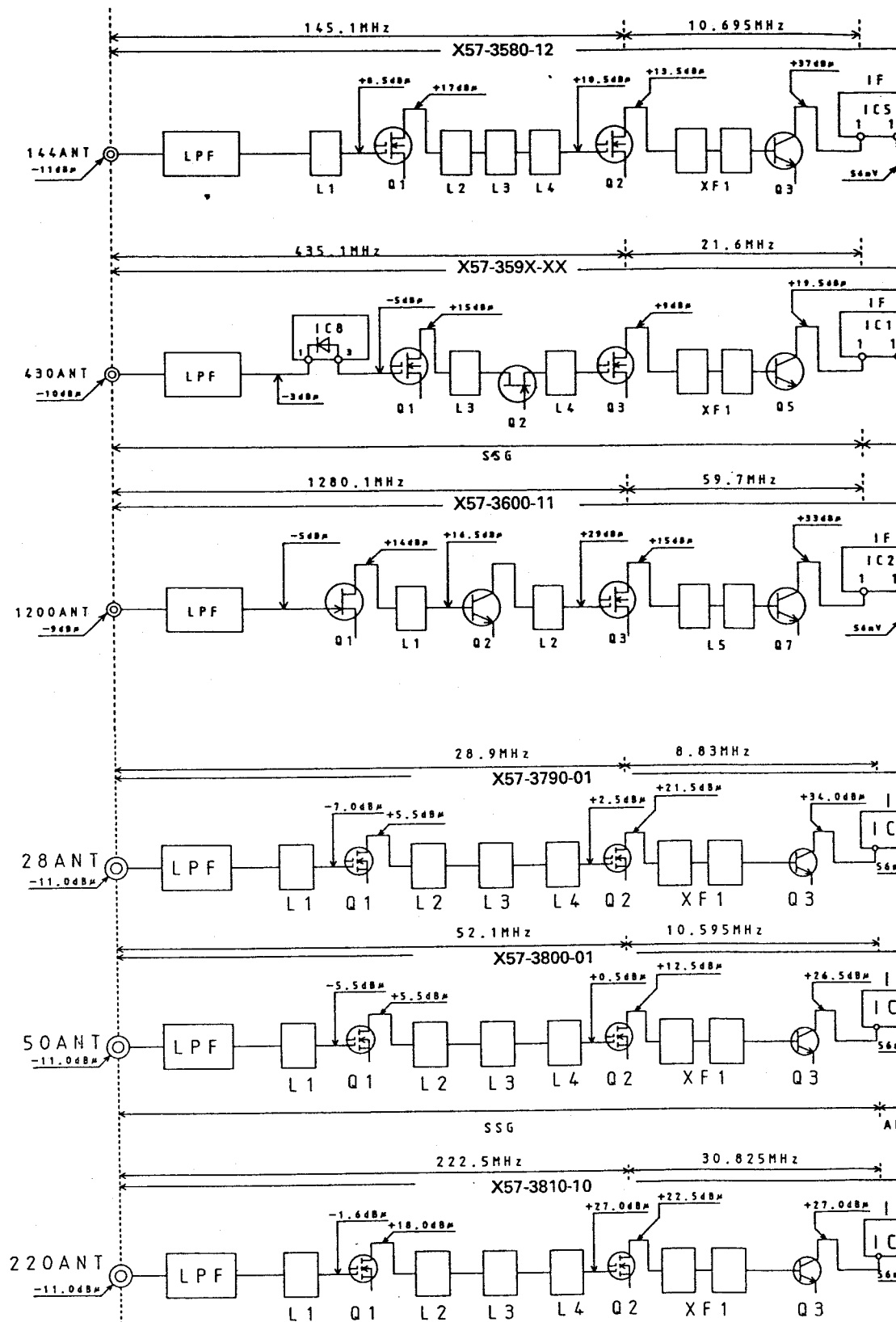
LEVEL DIAGRAM



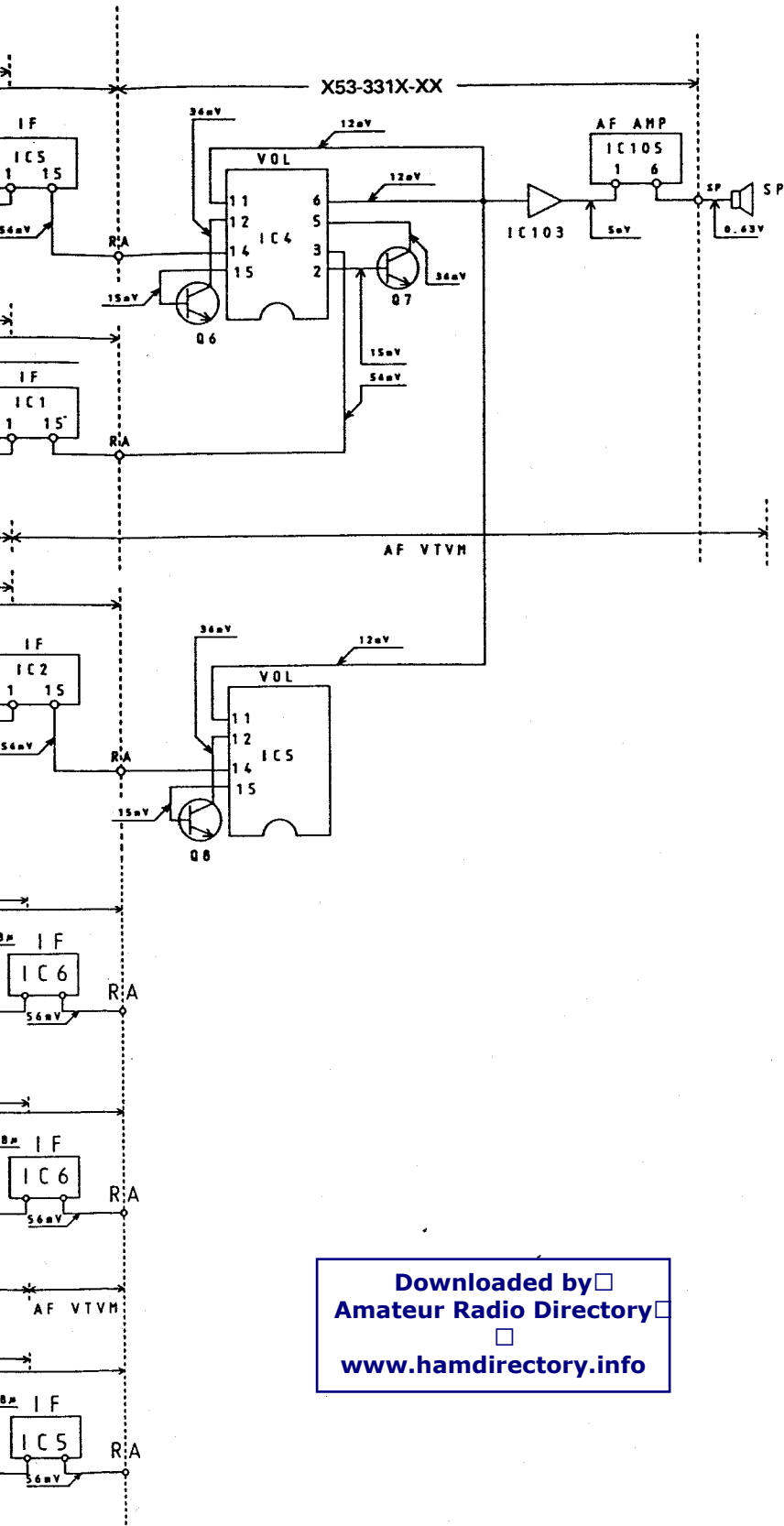
1. SG input level for which a 12dB SINAD are obtained. Measured by connecting the SG to each point via a 0.01 μ F capacitor.
2. AF level obtained when the AF output level is adjusted for 0.63V/8 Ω with the front panel AF VOL control. Measure with AF voltmeter connected to the speaker jack, receiving a 40dB EMF SSG signal modulated at 1KHz, DEV 3KHz.

LEVEL DIAGRAM

Transmitter section



GRAM

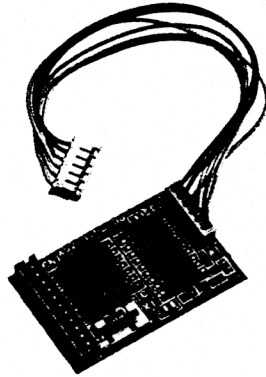


Downloaded by
 Amateur Radio Directory

www.hamdirectory.info

1. AG is set so taht MIC input becomes 3kHz DEV at 1kHz MOD.
2. Transmitting frequency; 145.0MHz, 435.0MHz, 1280MHz, 28.0MHz, 50.0MHz, 220.0MHz.
3. HI/MID/LOW SW: HI
4. APC SW: OFF

DTU-2 EXTERNAL VIEW



DTU-2 PARTS LIST

* NEW PARTS

Ref. No.	New parts	Parts No.	Description
C1		CK73FB1E104K	Chip C 0.1 μ F K
C2		CC73GCH1H100D	Chip C 10pF D
C3, 4		CC73GCH1H330J	Chip C 33pF J
C5-8, 10		CK73GB1E103K	Chip C 0.01 μ F K
C13-16		CK73GB1E103K	Chip C 0.01 μ F K
C9		CK73GB1E822K	Chip C 0.0082 μ F K
C10		CK73GB1E322K	Chip C 0.0033 μ F K
C11		CC73GSL1H101J	Chip C 100pF J
		E37-0033-05	Connecting cable (6P)
		E40-5188-05	Pin ass'y socket (11P)
X1		L78-0061-05	CERAMIC RESONATOR (3.58MHz)
R1-14		RK73GB1JxxxJ	Chip R
Q1		DTC114EU	Digital transistor
Q2, 3		2SC4116 (Y)	Digital transistor
IC1		TP5088WM	IC
IC2		LC7385M	IC
IC3		BU4066BF	IC

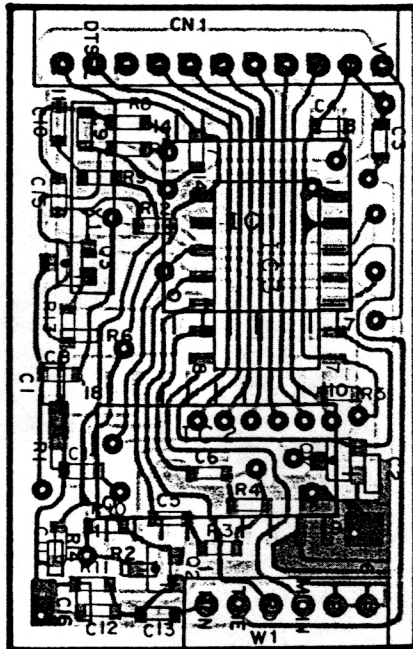
Downloaded by
 Amateur Radio Directory

www.hamdirectory.info

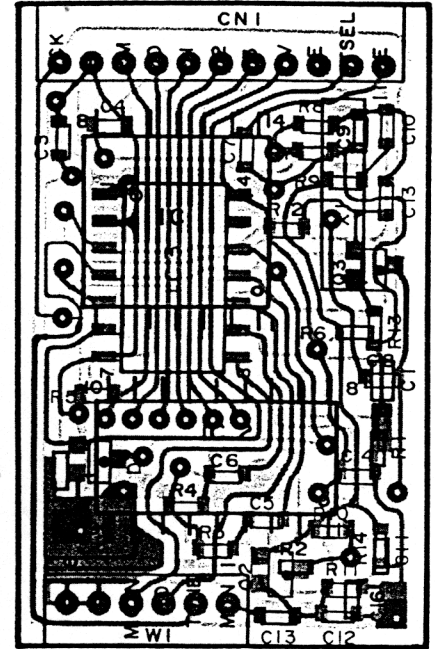
U-2 (DTMF UNIT)



DTU-2 PC BOARD VIEWS

Component side view

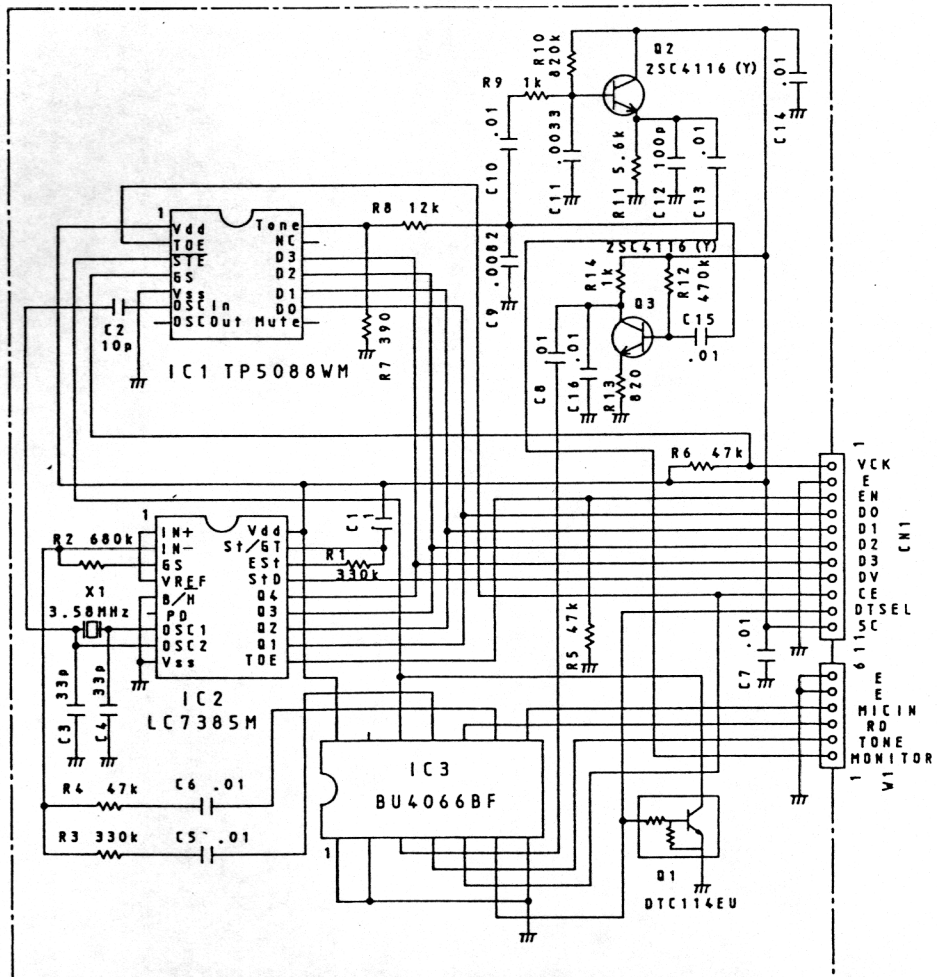


Foil side view

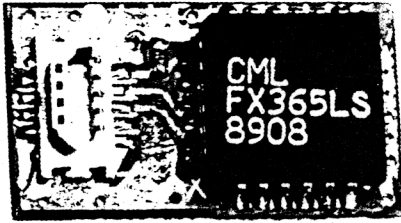


 : Component side
 : Foil side

DTU-2 CIRCUIT DIAGRAM



TSU-7 EXTERNAL VIEW



Downloaded by
 Amateur Radio Directory

www.hamdirectory.info

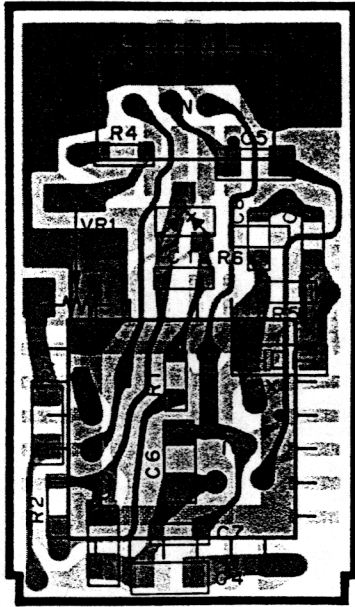
TSU-7 PARTS LIST

Ref. No	Address	New Parts	Parts No.	Description	Desti- nation	Re- marks
TSU-7 (X52-3170-00)						
X1			G10-0692-04	CUTTON		
IC1			H21-0704-04	CUTTON		
D1			L78-0062-05	STAL (1MHz)		
CN1			FX365LS	IC		
VR1			DAN202U	DIODE		
R1			E40-5341-05			
R2			R12-6526-05	TRIM. POT. (47K)		
R4			RK73BG1J274J	CHIP R	J 270K	
R5			RK73BG1J824J	CHIP R	J 820K	
R6			RK73BF1J103J	CHIP R	J 10K	
C1			RK73BG1J105J	CHIP R	J 1M	
C2			RK73BG1J473J	CHIP R	J 47K	
C4-6			CK73GB1H471K	CHIP C	K 470pF	
C7			C92-0521-05	CHIP TAN	20WV	
C8.9			CK73FB1E104K	CHIP C	K 0.1UF	
			CK73GB1H471K	CHIP C	K 470pF	
			CC73GCH1H221J	CHIP C	J 220pF	

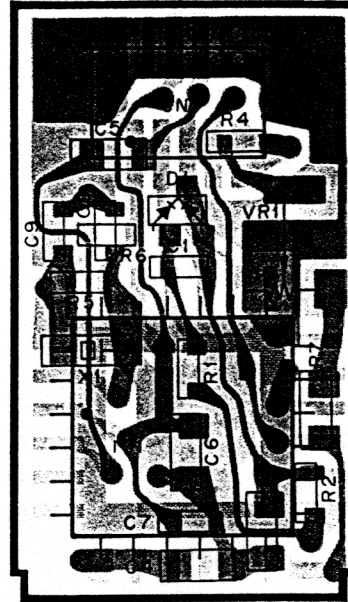
S UNIT)

TSU-7 PC BOARD VIEWS

[Component side view]

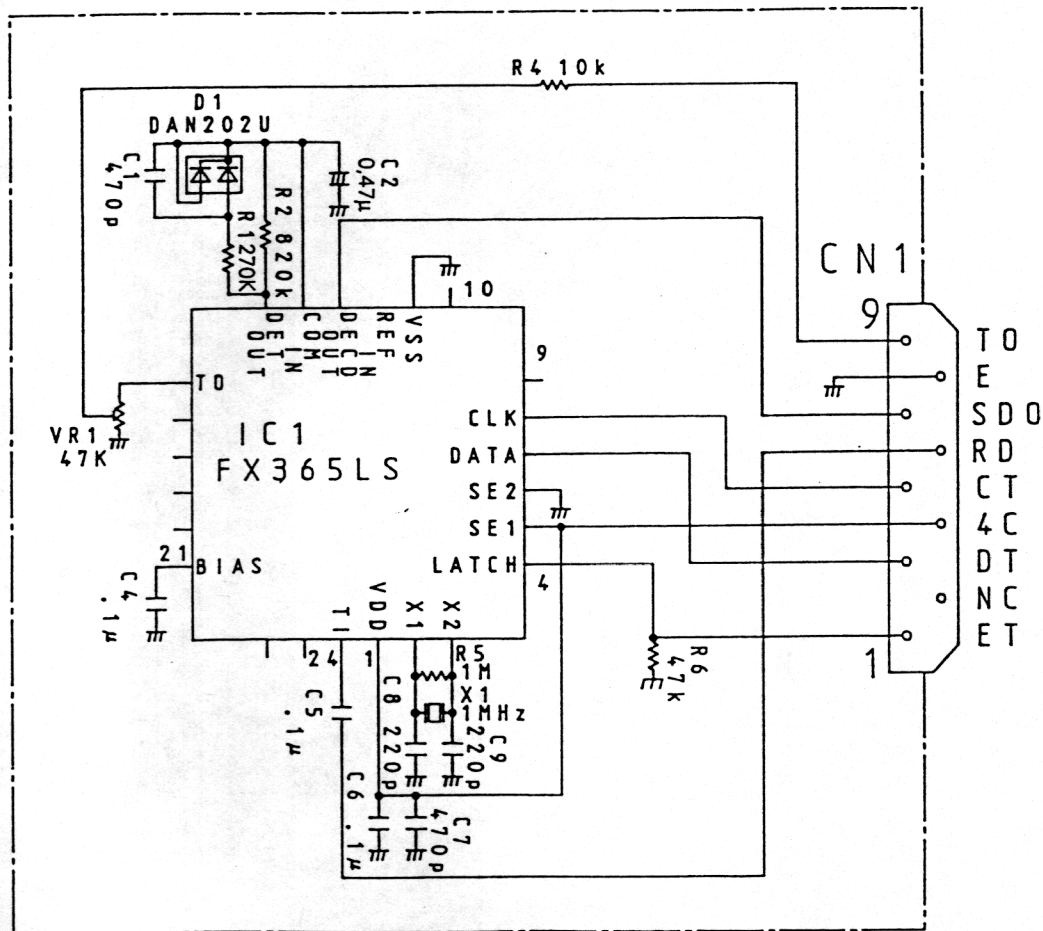


[Foil side view]



: Component side pattern ■: Foil side pattern

TSU-7 CIRCUIT DIAGRAM



TM-641A/741A/741E

MC-45 (MULTI FUNCTION MICROPHONE)

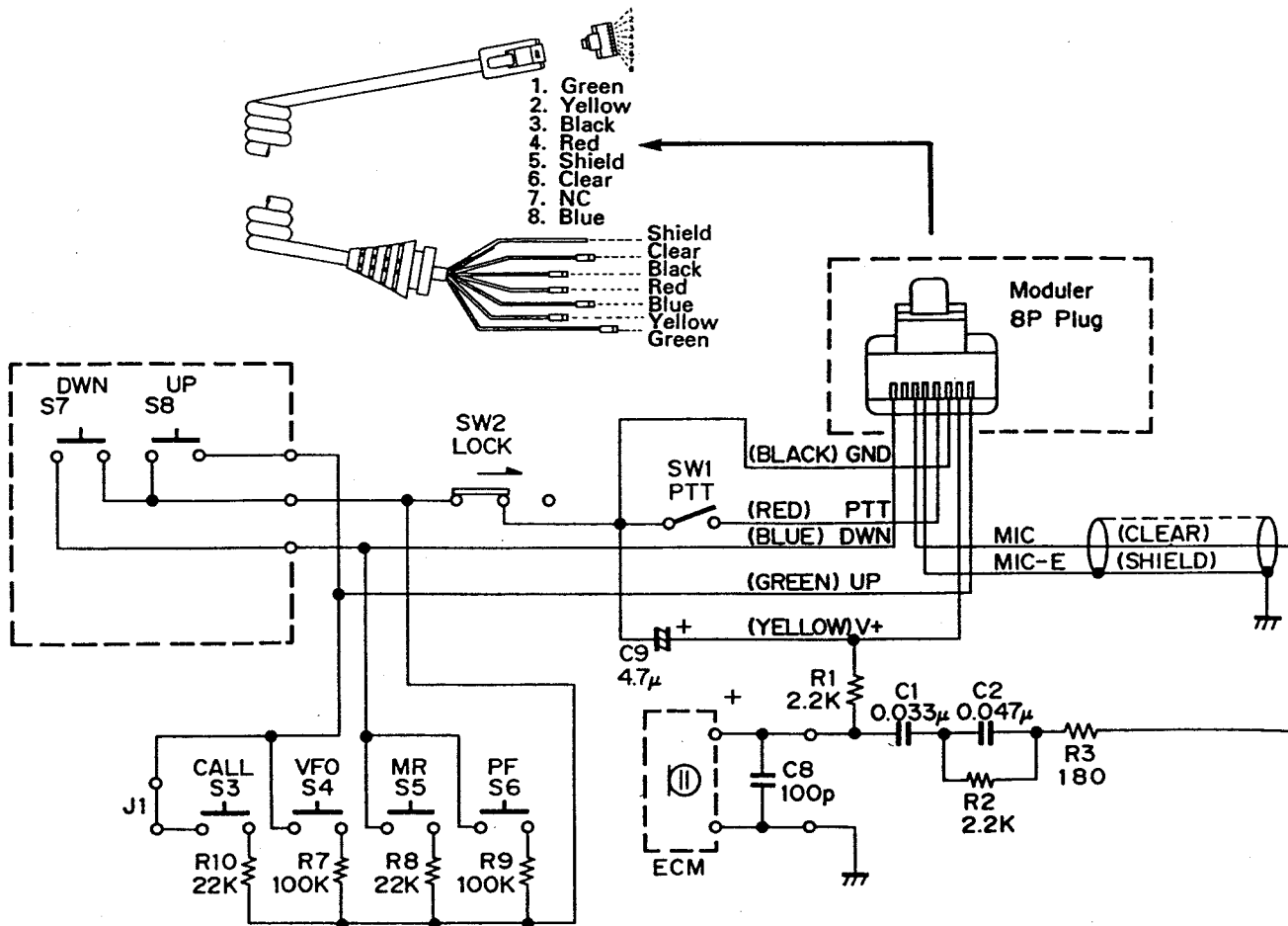
EXTERNAL VIEW



PARTS LIST

Ref. No.	Address	New Parts	Parts No.	Description	Destination	Remarks
			A02-0896-08	CASE (FRONT)		
			A02-0900-08	CASE (REAR)		
			E30-3006-08	CURL CORD ASSY		
			G13-0933-08	CUSHION (UP,DWN)		
			K29-3165-08	KNOB PTT		
			K29-3168-08	KNOB UP		
			K29-3169-08	KNOB DWN		
			K29-3170-08	KNOB CALL,VFO, MR,PF		
S3-6			S59-1409-28	SWITCH ASSY UP,DWN		
S7,8			S40-1437-08	TACT SWITCH UP,DWN		
SW1			S50-1431-08	MICRO SWITCH LOCK		
SW2			S31-1422-08	SLIDE SWITCH LOCK		
			T91-0383-08	MICROPHONE ELEMENT		

SCHEMATIC DIAGRAM



MC-45DM (MULTI FUNCTION MICROPHONE WITH AUTOPATCH)

EXTERNAL VIEW



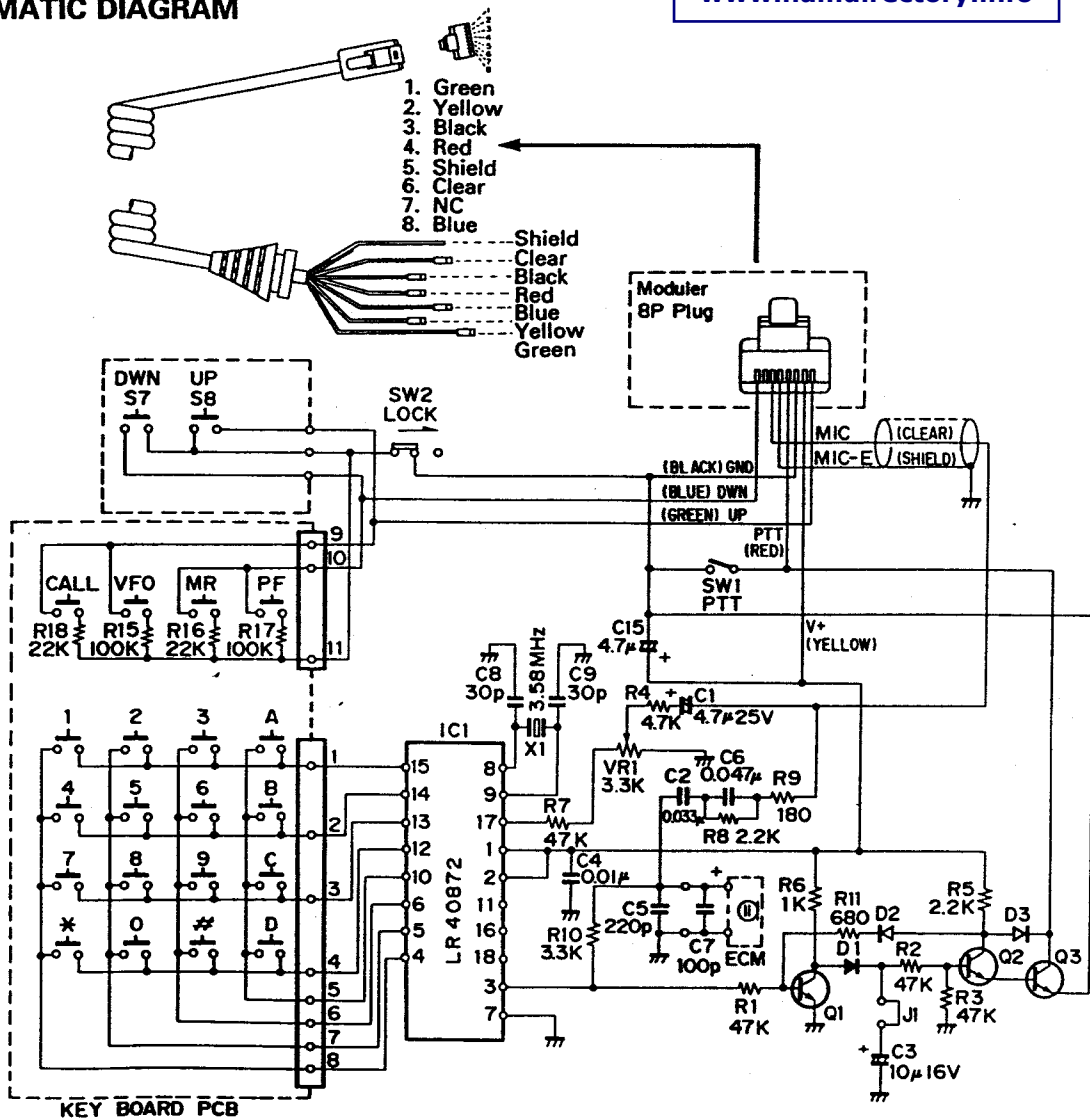
PARTS LIST

Ref. No.	Address	New Parts	Parts No.	Description	Destination	Remarks
			A02-0898-08	CASE (FRONT)		
			A02-0901-08	CASE, (REAR)		
			E30-3006-08	CURL CORD ASSY		
			G13-0933-08	CUSHION (UP, DWN)		
			K29-3165-08	KNOB PTT		
			K29-3167-08	KEY TOP DTMF		
			K29-3168-18	KNOB UP		
			K29-3169-18	KNOB DOWN		
S7, 8			S59-1409-28	SWITCH ASSY UP, DWN		
SW1			S40-1437-08	TACT SWITCH UP, DWN		
SW2			S50-1431-08	MICRO SWITCH PTT		
			S31-1422-08	SLIDE SWITCH LOCK		
			T91-0393-08	MICROPHONE ELEMENT		

Downloaded by
 Amateur Radio Directory

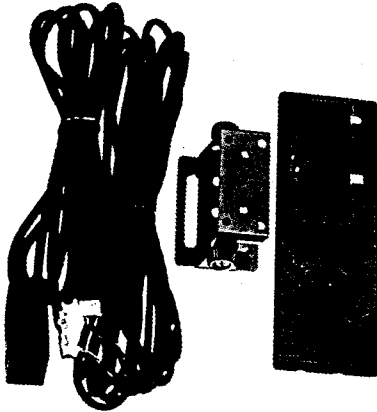
www.hamdirectory.info

SCHEMATIC DIAGRAM

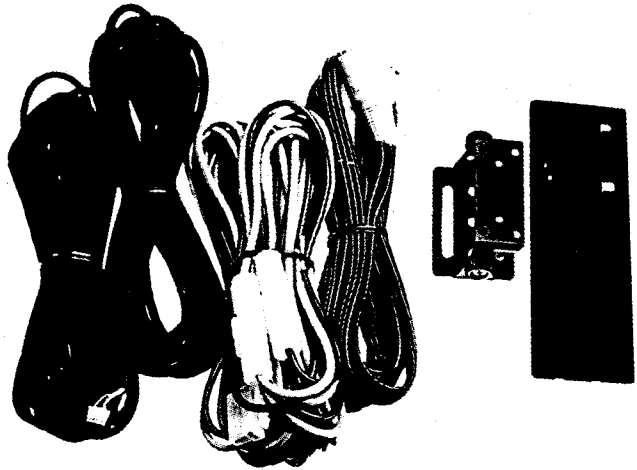


PG-4K/L (PANEL SEPARATE KIT K:4M, L:7M)

PG-4K EXTERNAL VIEW

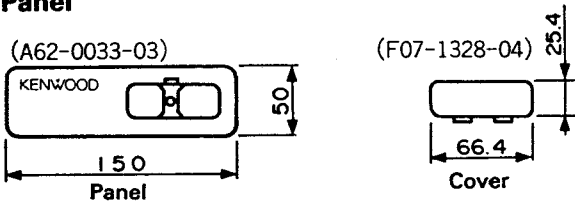


PG-4L EXTERNAL VIEW

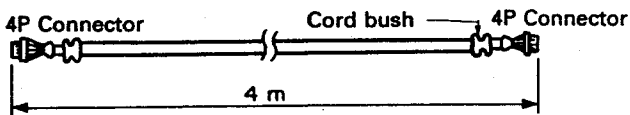


PG-4K MAIN EXTERNAL DIMENSIONS

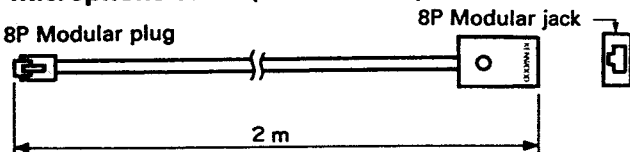
● Panel



● Panel cable (E30-3012-05)



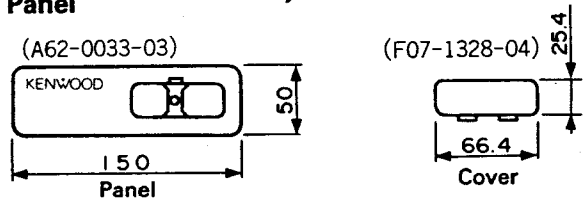
● Microphone cable (E30-3013-05)



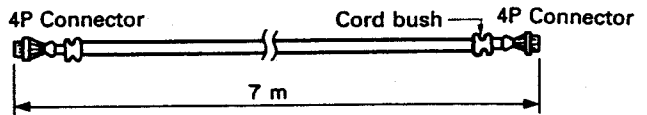
● Screw set (N99-0347-05)

PG-4L MAIN EXTERNAL DIMENSIONS

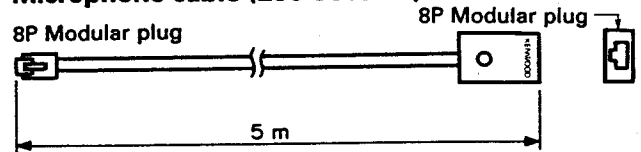
● Panel



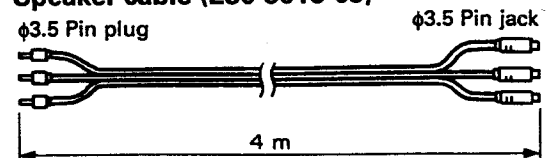
● Panel cable (E30-3014-05)



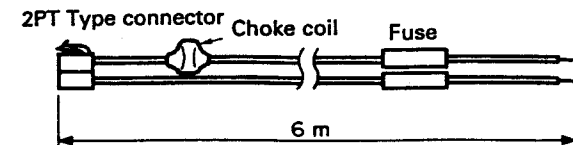
● Microphone cable (E30-3015-05)



● Speaker cable (E30-3016-05)



● DC cord (E30-3032-05)



● DC cord (N99-0347-05)

TM-641A/741A/741E

UT-28S/50S/1200 SPECIFICATION

		UT-28S	UT-50S	UT-1200
GENERAL	Frequency range (MHz)	28 - 29.7	50 - 54	1240 - 1300
	Mode	F3(FM)		
	Antenna impedance	50Ω		
	Operating temperature	-20°C ~ +60°C		
	Power requirements	DC13.8V ±15% (11.7 ~ 15.8V)		
	Ground	Negative		
	Frequency stability	Less than ±10ppm		Less than ±3ppm
	Current drain	Transmit mode	Less than 11.5A	
Receiver mode		Less than 1.2A		
TRANSMITTER	Output Power	HI	50W	10W
		MID	10W	-
		LOW	Approx. 5W	1W
	Modulation	Reactance modulation		
Spurious radiation	Less than -60dB (※)		Less than -50dB	
Maximum frequency deviation	±5kHz			
Audio distortion (at 60% modulation)	Less than 3%			
Microphone impedance	600Ω			
RECEIVER	Circuitry	Double conversion superheterodyne		
	Intermediate frequency 1st/2nd	8.83MHz	10.595MHz	59.7MHz
		455kHz		
	Sensitivity (12 dB SINAD)	Less than 0.16μV(-16dBμ)		
	Selectivity -6 dB	More than 10kHz	More than 12kHz	
	Selectivity -60 dB	Less than 24kHz		Less than 36kHz
	Squelch sensitivity	Less than 0.1μV(-20dBμ)		
	Output (5% distortion)	More than 2W(8Ω load)		
External speaker impedance	8Ω			

- Notes: 1. Circuit and ratings are subject to change without notice, due to advancements in technology.
 2. Recommended duty cycle: 1 minute Transmit, 3 minutes Reception.

(※) Hi Power position: Less than -70dB

Downloaded by
 Amateur Radio Directory

www.hamdirectory.info

SPECIFICATIONS

		144 MHz Band	220 MHz Band	440/430 MHz Band	
G E N E R A L	Frequency range MHz	U.S.A. and Canada	144 ~ 148	220 ~ 225	438 ~ 450
		Other market	144 ~ 148	-	430 ~ 440
		TM-74IE	144 ~ 146	-	430 ~ 440
	Mode	F3E(FM)			
	Antenna impedance	50Ω			
	Operating temperature	-20°C ~ +60°C (-4°F ~ +140°F)			
	Power requirements	13.8VDC ± 15% (11.7 ~ 15.8V)			
	Ground	Negative			
	Current drain	Transmit mode	Less than 11.5 A	Less than 7.0 A	Less than 10.0 A
		Receiver mode	Less than 1.2 A		
	Frequency stability	± 10ppm			
Dimensions (WxHxD)	150 x 50 x 175 mm				
Weight	1.6kg				
T R A N S M I T T E R	Output power	HI	50W	25W	35W
		MID	10W		
		LOW	Approx. 5W		
	Modulation	Reactance modulation			
	Spurious radiation	Less than -60dB			
	Maximum frequency deviation	±5kHz			
	Audio distortion (at 60% modulation)	Less than 3%			
Microphone impedance	600Ω				
R E C E I V E R	Circuitry	Double conversion superheterodyne			
	Intermediate frequency 1st/2nd	10.7 MHz/455 kHz	30.825 MHz/455 kHz	21.6 MHz/455 kHz	
	Sensitivity (12 dB SINAD)	Less than 0.16μV (-10 dBμ) ✕			
	Selectivity -6 dB	More than 12 kHz			
	Selectivity -60 dB	Less than 24 kHz			
	Squelch sensitivity	Less than 0.1 μV (-14 dBμ)			
	Output (5% distortion)	More than 2 W (8Ω load) (5% distortion)			
External speaker impedance	8Ω				

Notes:

1. Circuit and ratings are subject to change without notice due to advancements in technology.
2. Recommended duty cycle: 1 minute Transmit, 3 minutes Reception.

Downloaded by
 Amateur Radio Directory

www.hamdirectory.info

KENWOOD CORPORATION

Shionogi Shibuya Building, 17-5, 2-chome Shibuya, Shibuya-ku, Tokyo 150, Japan

KENWOOD U.S.A. CORPORATION

COMMUNICATIONS & TEST EQUIPMENT GROUP

P.O. BOX 22745, 2201 East Dominguez St., Long Beach, CA 90801-5745, U.S.A.

KENWOOD ELECTRONICS DEUTSCHLAND GMBH

Rembrücker Str. 15, 6056 Heusenstamm, Germany

TRIO-KENWOOD U.K. LIMITED

KENWOOD House, Dwight Road, Watford, Herts., WD1 8EB United Kingdom

KENWOOD ELECTRONICS BENELUX N.V.

Mechelsesteenweg 418 B-1930 Zaventem, Belgium

TRIO-KENWOOD FRANCE S.A.

13, Boulevard Ney, 75018 Paris, France

KENWOOD LINEAR S.P.A.

20125, Milano-via Arbe, 50, Italy

KENWOOD ELECTRONICS AUSTRALIA PTY. LTD.

P.O. Box 504, 8 Figtree Drive, Australia Centre, Homebush, N.S.W. 2140, Australia

KENWOOD & LEE ELECTRONICS, LTD.

Wang Kee Building, 5th Floor, 34-37, Connaught Road, Central, Hong Kong

KENWOOD ELECTRONICS CANADA INC.

6070 Kestrel Road, Mississauga, Ontario, Canada L5T 1S8