



i ILVE

The ILVE Collection



ILVE have been building beautiful range cookers and appliances since 1952. Based near Venice, ILVE supply cookers all over the world and the name is synonymous with quality, style and the very best in cooking technology.

All ILVE ovens are A rated for efficiency and are built using only the finest materials.

Your investment in an ILVE cooker means that you can relax and enjoy your appliance for many years to come.

kitchenEx™

ILVE appliances are exclusively supplied in the UK by KitchenEx Limited.

0845 548 3130

office@kitchenex.co.uk

www.ilveappliances.co.uk



The best kept secret in range cooking...	6
ILVE range cookers	8
Unique ILVE features	10
ILVE hob configurations	12
ILVE oven functions	14
Roma Collection	18
Milano Collection	32
Majestic Roma Collection	46
Majestic Milano Collection	54
Moderna Collection	62
Ultimo Collection	66
Built in ovens	70
Built in hobs	80
Hoods	94
Accessories	100





The best kept secret in range cooking...

ILVE have been creating high quality, beautiful range cookers for over 50 years. ILVE range cookers are built to endure everyday life with specially crafted, robust characteristics that are designed to withstand the test of time.

Created with the passionate cook in mind, ILVE range cookers are packed full of the latest cooking technologies and innovative features to help to ensure that cooking at home is always a pleasure.

- A Rich Heritage – ILVE range cookers have been hand built near Venice by the same family run factory since 1952. ILVE range cookers are characterised by their classic Italian style drawing on both traditional influences and contemporary design qualities
- Innovative Technology – ILVE are constantly working to add new technology to their full range of appliances. Since introducing the teppanyaki style Fry Top in the 90's, ILVE has continued to add innovative new features such as microwaves in twin range cookers, dual fuel gas hob tops with 2 induction zones and unique oven temperature control.
- Energy Efficient – ILVE ovens are A rated for energy efficiency with triple glazed doors and innovative energy saving features
- Finest Components - Each cooker is hand crafted using only the finest stainless steel, durable cast-iron pan supports and specially designed brass gas burners – developed to endure long cooking periods.
- Dedicated Service – Each ILVE cooker is supplied with a 2 year warranty for parts and labour as standard. We have a nationwide team of engineers and a dedicated UK based customer service team.

300°

E3 Precision Temperature Control

ILVE's Premium Collection of range cookers now feature the latest technology in oven temperature control. The oven temperature is now digitally adjusted in precise, 5°C increments from 30°C to 300°C.



Colour Matching Service for Range Cookers

ILVE's premium collection of range cookers now have the ability to be colour matched to one of over 200 RAL custom colour choices, giving you freedom to create your perfect range cooker.

The ILVE Premium Collection of range cookers comprises of 3 core styles, Roma, Milano and Majestic.



Roma

The Roma range encapsulates modern Italian styling with crisp, clean lines and a contemporary stainless steel trim. The Roma range suits any kitchen design and is available with solid doors in select widths.



Milano

The Milano range symbolises traditional Italian flair with embellished handles and controls and an increased selection of colours. Milano range cookers can be designed with either chrome, brass or antique bronze trim.

Majestic

The Majestic range is comprised of 2 styles; Majestic Roma and Majestic Milano.



Majestic Roma

The Majestic Roma has a contemporary style, with modern stainless steel handles and controls and a wide choice of colour options.



Majestic Milano

The Majestic Milano is traditionally styled, with embellished handles and controls, a choice of trim finishes including chrome, brass and antique bronze and unique shaped feet.

ILVE range cookers

150cm

120cm
60/60

120cm
70/40

120cm
90/30

110cm
XG

100cm
XG

Roma



Milano



Majestic Roma



Majestic Milano



100cm
Twin

90cm
Twin

90cm
Single

80cm
Single

76cm
Single

70cm
Twin

70cm
Single

60cm
Single

Roma



Milano



Majestic Roma



Majestic Milano



Unique ILVE features





E3 Precision Temperature Control

Renowned for innovative cooking technology throughout the world, ILVE have added advance features to range cookers; features which are usually reserved for the realm of built-in ovens.

The new improved digital temperature control feature has so far been lacking from the range cooker market – no longer do range cooker users have to endure inaccurate cooking conditions.

Key Features of E3:

- Precision temperature control
- Digital display controls all oven temperatures
- Temperatures range from 30°C to 300°C
- Adjusts in 5°C increments
- Rotary controls adjust each oven

E3 is available on all Roma, Milano, Majestic Roma and Majestic Milano models



ILVE colour matching service

Choose from over 200 RAL CLASSIC colours for hundreds of range cooker possibilities.

ILVE rangecookers can now be colour matched to hundreds of different colour choices as an additional extra. Using the universal RAL colour system, Milano, Roma, Majestic Milano and Majestic Roma range cookers now have the option to be customised to a unique colour choice.

To find out more about the colour matching service, please enquire with your ILVE retailer who will be happy to talk you through the options available.

For a comprehensive list of RAL Classic colours available, please visit the Official RAL Website.

<http://www.ralcolor.com/>

ILVE Hob Configurations



Gas Hobs

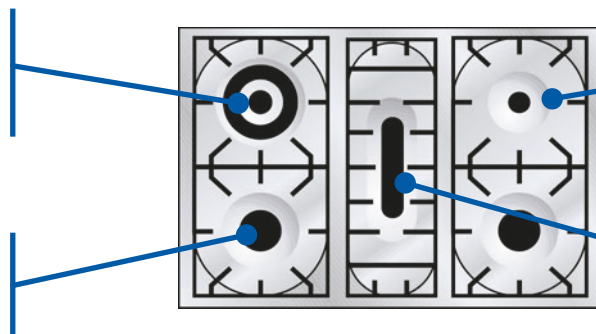
ILVE gas hobs feature Flame Failure Devices and cast iron pan supports as standard. ILVE have also developed their own patented brass burners that provide powerful and efficient heat.

Wok Burner

- Max: 4.3kW
- Min: 1.7kW
- Ø120mm

Medium Burner

- Max: 2.6kW
- Min: 0.6kW
- Ø70mm



Small Burner

- Max: 1.8kW
- Min: 0.4kW
- Ø55mm

Fish Burner / Fry Top Burner

- Max: 3.1kW
- Min: 1kW

OPTION: Dual Control Wok Burner

Roma, Milano and Majestic range cookers can be upgraded to include a dual control wok burner. This allows the outer and inner rings to be controlled together or separately, enabling a greater variance in temperatures.

- Max: 5kW
- Min: 0.37kW
- Ø120mm

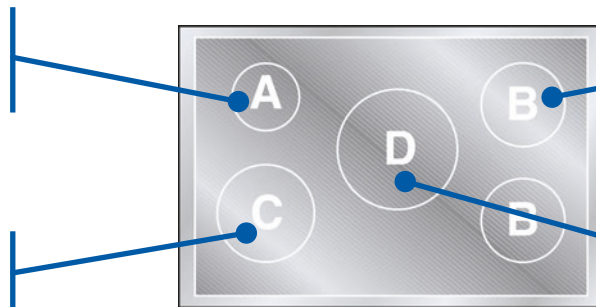
Induction Hobs

ILVE Induction zones offer state of the art performance and are packed full of useful features including a child safety lock, overflow detection and a power boost function.

Induction hobs are as controllable as gas and much more efficient and safer to use than ceramic hobs.

Small Zone

- Ø145mm
- Max: 1.4kW
- Max with Boost: 1.85kW



Medium Zone

- Ø180mm
- Max: 1.85kW
- Max with Boost: 2.5kW

Large Zone

- Ø210mm
- Max: 2.3kW
- Max with Boost: 3.2kW

Extra Large Zone

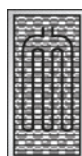
- Ø260mm
- Max: 2.4kW
- Max with Boost: 3.2kW

Options



Fry top

The Fry Top griddle takes its inspiration from Japanese Teppanyaki style cooking. Made from 8mm thick solid stainless steel, the Fry Top is perfect for cooking breakfasts and stir frying.



Barbecue

The electric Barbecue features lava stones and allows food to be cooked straight on the cast iron grill area.

- Max: 2.65kW



Electric Fryer

This handy electric fryer option has a 1kg basket capacity, heat thermostat and removable 2 -2.5 litre capacity oil basin. The electric fryer come equipped with a stainless steel cover when not in use.

- Max: 2.3kW



2-zone Induction

The 2 Zone Induction option allows certain models to have dual fuel hobs. With a digital display, 9 heat levels and a child lock function, the 2 Zone Induction offers optimum versatility on the hob.

- Max: 1.85kW x 2
- Total: 3.7kW



Coup-de-feu

The large cast iron Coup de Feu uses a gas burner beneath to recreate a traditional French style of cooking by offering concentrated heat in the centre with the coolest area on the outside. This allows several pans to be used at the same time and is perfect for simmering delicate sauces and quickly moving from hot to cool.

- Max: 2.6kW

ILVE oven functions



Pizza Oven

A hot base element and a low grill element mimics a traditional pizza furnace, recreating the perfect conditions to cook fresh pizza.



Conventional Oven

This setting uses the elements at both the top and bottom, producing varying heat throughout the oven; the programmed heat is in the centre with hotter zones above and below. The conventional oven setting is ideal for fruit cakes and large roast meats such as the Christmas Turkey.



Slow Cooker

This setting is designed for low temperature cooking for long periods. Coupled with the delayed timer on and off setting, this function works exactly like a traditional slow cooker appliance. Perfect for casseroles.



Browning Oven

This uses the upper element to provide a consistent top heat which is ideal for melting cheese and browning the top of a shepherd's pie.



Roasting Oven

The fan assisted oven uses both the top and bottom elements with the addition of a fan, making this a fierce oven setting. The high temperatures as cooking begins are ideal for searing meat and crisping potatoes whilst oven temperature fall slightly to ensure that moisture is locked inside. Perfect for roasting joints of meat, vegetables and chips.



Baking Oven

This "true fan" setting is designed specifically for bakers. Using a circular element at the rear of the cooker and a fan, the Baking Oven function works best with two or more oven pans. Hardly any heat is lost when opening the oven door, making it the ideal setting for batch baking cakes and pastries.



Quick Start

The quick start function will bring the oven temperature up to 200°C in just 6 minutes, after which you can switch to your desired cooking function.



Fanned Grill

This function makes grilling twice as quick by moving heated air around your food. Using the grill pan on a rung lower, the fanned grill cooks food on both sides. The Fanned Grill is perfect for grilling sausages, burgers and kebabs.



Standard Grill

A traditional high power electric grill which is best at grilling bread based foods such as toast and crumpets.



Rotisserie

Using the standard grill and ILVE's specially designed rotisserie spit, the rotisserie function is the perfect way to cook roast birds and joints of meat. The continuously turning spit allows the meat to self-baste and ensures minimal mess.

ILVE oven specifications



80cm / 90cm Oven

- Internal Dimensions (cm) : 64 (w) x 35 (h) x 45 (d)
- Capacity : 78.6 litres
- Electric Grill - 2.2kW
- Circular Element - 2.4kW
- QuickStart MAX - 3.4kW
- Rotisserie Spit

Multifunction Oven

- Upper Element - 0.9kW
- Lower Element - 1.5kW

Fan Gas Oven

- Fan Gas Burner - 3500W
- Gas Max - 2.3kW



70cm Oven

- Internal Dimensions (cm) : 54 (w) x 35 (h) x 45 (d)
- Capacity : 67.3 litres
- Electric Grill - 2.2kW
- Circular Element - 2.4kW
- QuickStart MAX - 3.4kW
- Rotisserie Spit

Multifunction 70cm Oven

- Upper Element - 0.9kW
- Lower Element - 1.5kW

Fan Gas 60cm Oven

- Fan Gas Burner - 3000W
- Gas Max - 2.3kW



60cm Oven

- Internal Dimensions (cm) : 44 (w) x 35 (h) x 45 (d)
- Capacity : 53.4 litres
- Electric Grill - 1.6kW
- Lower Element - 1.3kW
- Circular Element - 2.4kW
- QuickStart MAX - 3.4kW

Multifunction 60cm Oven

- Upper Element - 0.9kW

Fan Gas 60cm Oven

- Fan Gas Burner - 2500W
- Gas Max - 1.7kW



40cm Oven

- Internal Dimensions (cm) : 36 (w) x 35 (h) x 45 (d)
- Capacity : 43.7 litres
- Electric Grill - 1.6kW
- Upper Element - 0.85kW
- Lower Element - 0.9kW
- 1.9 kW MAX
- Rotisserie Spit

Please note: Supply may vary depending on usage. Please consult a qualified electrician for amperage and specific circuit requirements.



30cm Oven

- Internal Dimensions (cm) : 26 (w) x 35 (h) x 45 (d)
- Capacity : 30.8 litres
- Electric Grill - 1.5kW
- Upper Element - 0.8kW
- Lower Element - 0.8kW
- 1.7 kW MAX
- Rotisserie Spit



40cm Microwave

- Internal Dimensions (cm) : 30 (w) x 32 (h) x 43 (d)
- Capacity : 35 litres
- Turntable Ø27cm
- Electric Grill - 1.6kW
- Microwave - 1.0kW
- MAX - 2.3kW

7 Heating Modes

- Microwave - 1.0kW
- Microwave - 0.8kW
- Microwave - 0.5kW
- Defrost - 0.27kW
- Combi 1 - Microwave + Grill - 0.8kW
- Combi 1 - Microwave + Grill - 0.5kW
- Grill Only - 1.6kW



60cm Compact oven

- Internal Dimensions (cm) : 44 (w) x 35 (h) x 45 (d)
- Capacity : 35.1 litres
- Electric Grill- 1.6kW
- Upper Element - 0.9kW
- Lower Element - 1.3kW
- Circular Element - 2.4kW
- QuickStart MAX - 2.9kW



XG Grill

- Internal Dimensions (cm) : 44 (w) x 15 (h) x 45 (d)
- Capacity : 20.2 litres
- Electric Grill - 2.4kW
- MAX - 2.5kW

Please note: Supply may vary depending on usage. Please consult a qualified electrician for amperage and specific circuit requirements.



Roma Collection

The Roma collection of range cookers are distinguished by their contemporary, Italian style. With crisp clean lines and modern stainless steel handles and controls, Roma range cookers are perfect for any kitchen design.

Available in a variety of colours including stainless steel, gloss black, matt black, white or cream and in a large range of sizes from the compact 60cm cooker to the mighty 150cm twin oven range cooker, the Roma is the perfect addition to any size kitchen. A number of Roma models are also available with solid doors which give the cooker a traditional feel whilst being packed full of advanced cooking technology.

Choose the best design to match your cooking needs with up to 7 different hob configurations including induction, gas, fry top and coup de feu. You can choose to have either an electric or gas oven, with a wide selection of oven sizes and arrangements and for the first time in the UK, can even choose to include a 1000w microwave oven to be built into your range cooker. Made from the finest materials, The Roma collection of cookers are all A-rated for energy efficiency and have a whole host of oven functions and innovative features.



Roma 150cm

PW150



Colours

Stainless Steel

Gloss Black

Matt Black

White

Cream

Trim

Stainless Steel



Colour matching

E3

E3 temperature control

Features

- E3 digital oven temperature controls
- Temperature range from 30°C to 300°C
- Multifunction oven with 9 cooking settings
- Programmable timer
- Fascia cooling fan keeps controls cool
- Quick start rapid heat up
- One-handed ignition control
- Flame failure devices
- Individual cast iron pan supports
- Unique high efficiency solid brass burners
- Catalytic "stay-clean" liners to roof, rear and sides of the oven
- Pull down oven door with removable glass for easy cleaning
- Full width storage drawer
- Triple-glazed, cool to touch door
- Height adjustable stainless steel feet
- Child safety lock
- Full width rotisserie in left hand oven
- 2 wire shelves, grill pan and trivet in both ovens

Special Features

- Rotisserie fitting in the left-hand oven
- 2 wire shelves and grill pans in both ovens

Accessories

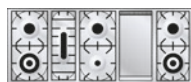
- Telescopic sliding oven shelves
- Stainless steel back panel
- Plinth kit
- Cast-iron griddles

Hoods



Modern
AGQ150

Hob configurations



Fry Top

Fry Top +
Coup de Feu

Coup de Feu



Barbecue

Fry Top +
Electric Fryer

PW150	E3 CODE	Max Load W	Gas CODE	Max Load W
Fry Top	PW150FE3	5550	PW150FVG	4950
Fry Top + Coup de Feu	PW150FSE3	5550	PW150FSVG	4950
Coup de Feu	PW150SE3	5550	PW150SVG	4950
Barbecue	PW150BE3	8200	PW150BVG	7600
Fry Top + Electric Fryer	PW150FRE3	7850		

	Width mm	Height mm	Depth mm	Oven Litres
Cooker Dimensions	1500	850 - 910	600	
Left Oven Internal Dimensions	640	350	450	78.6
Right Oven Internal Dimensions	440	350	450	53.4

Roma 120cm 60/60



PDW120



Colours

- Stainless Steel
- Gloss Black
- Matt Black
- White
- Cream

Trim

- Stainless Steel



Colour matching



E3 temperature control

Features

- E3 digital temperature controls in both ovens
- Temperature range from 30°C to 300°C
- 2 multifunction ovens with 9 cooking settings
- Programmable timers in both ovens
- Fascia cooling fan keeps controls cool
- Quick start rapid heat up
- One-handed ignition control
- Flame failure devices
- Individual cast iron pan supports
- Unique high efficiency solid brass burners
- Catalytic “stay-clean” liners to roof, rear and sides of both ovens
- Pull down oven doors with removable glass for easy cleaning
- Full width storage drawer
- Triple-glazed, cool to touch doors
- Height adjustable stainless steel feet
- Child safety lock
- 2 wire shelves, grill pans and trivets in both ovens

Special Features

- 2 wire shelves and grill pans in both ovens

Accessories

- Telescopic sliding oven shelves
- Stainless steel back panel
- Plinth kit
- Cast-iron griddles

Hoods



Modern
AGQ120

Hob configurations



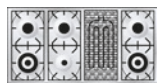
7 Burner



Fry Top



Coup de Feu



Barbecue



Fry Top +
Electric Fryer

PDW120	E3 CODE	Max Load W	Gas CODE	Max Load W
7 Burner	PDW1207E3	5300	PDW1207VG	4390
Fry Top	PDW120FE3	5300	PDW120FVG	4390
Coup de Feu	PDW120SE3	5300	PDW120SVG	4390
Barbecue	PDW120BE3	7950	PDW120BVG	7040
Fry Top + Electric Fryer	PDW120FRE3	7600		

	Width mm	Height mm	Depth mm	Oven Litres
Cooker Dimensions	1200	850 - 910	600	
Left Oven Internal Dimensions	440	350	450	53.4
Right Oven Internal Dimensions	440	350	450	53.4



Roma 120cm 70/40

PSW120



Colours

Stainless Steel

Gloss Black

Matt Black

White

Cream

Trim

Stainless Steel



Colour matching



E3 temperature control

Features

- E3 digital temperature controls in both ovens
- Temperature range from 30°C to 300°C
- Programmable timers in both ovens
- Left hand multifunction oven with 9 cooking settings
- Right hand conventional oven with 5 functions including rotisserie
- Fascia cooling fan keeps controls cool
- Quick start rapid heat up
- One-handed ignition control
- Flame failure devices
- Individual cast iron pan supports
- Unique high efficiency solid brass burners
- Catalytic "stay-clean" liners to roof, rear and sides of both ovens
- Pull down oven doors with removable glass for easy cleaning
- Full width storage drawer
- Triple-glazed, cool to touch doors
- Height adjustable stainless steel feet
- Child safety lock
- Rotisserie fittings in both ovens
- 2 wire shelves, grill pan and trivet in the left oven
- 1 wire shelf, grill pan and trivet in the right oven

Special Features

- Rotisserie fittings in both ovens

Accessories

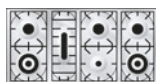
- Telescopic sliding oven shelves
- Stainless steel back panel
- Plinth kit
- Cast-iron griddles

Hoods



Modern
AG120

Hob configurations



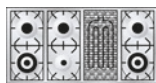
7 Burner



Fry Top



Coup de Feu



Barbecue

Fry Top +
Electric Fryer

PSW120	E3 CODE	Max Load W	Gas CODE	Max Load W
7 Burner	PSW1207E3	4800	PSW1207VG	4200
Fry Top	PSW120FE3	4800	PSW120FVG	4200
Coup de Feu	PSW120SE3	4800	PSW120SVG	4200
Barbecue	PSW120BE3	7450	PSW120BVG	6850
Fry Top + Electric Fryer	PSW120FRE3	7100		

	Width mm	Height mm	Depth mm	Oven Litres
Cooker Dimensions	1200	850 - 910	600	
Left Oven Internal Dimensions	540	350	450	67.3
Right Oven Internal Dimensions	360	350	450	43.7

Roma 120cm 90/30



PW120



Colours

Stainless Steel

Gloss Black

Matt Black

White

Cream

Trim

Stainless Steel



Colour matching

E3

E3 temperature control

Features

- E3 digital temperature controls in both ovens
- Temperature range from 30°C to 300°C
- Programmable timers in both ovens
- Left hand multifunction oven with 9 cooking settings
- Right hand conventional oven with 5 functions including rotisserie
- Fascia cooling fan keeps controls cool
- Quick start rapid heat up
- One-handed ignition control
- Flame failure devices
- Individual cast iron pan supports
- Unique high efficiency solid brass burners
- Catalytic "stay-clean" liners to roof, rear and sides of both ovens
- Pull down oven doors with removable glass for easy cleaning
- Full width storage drawer
- Triple-glazed, cool to touch doors
- Height adjustable stainless steel feet
- Child safety lock
- Rotisserie fittings in both ovens
- 2 wire shelves, grill pan and trivet in the left oven
- 1 wire shelf, grill pan and trivet in the right oven

Special Features

- Rotisserie fittings in both ovens

Accessories

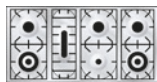
- Telescopic sliding oven shelves
- Stainless steel back panel
- Plinth kit
- Cast-iron griddles

Hoods

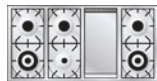


Modern
AGQ120

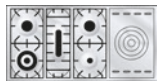
Hob configurations



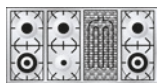
7 Burner



Fry Top



Coup de Feu



Barbecue



Fry Top +
Electric Fryer

PW120	E3 CODE	Max Load W	Gas CODE	Max Load W
7 Burner	PW1207E3	4600	PW1207VG	4000
Fry Top	PW120FE3	4600	PW120FVG	4000
Coup de Feu	PW120SE3	4600	PW120SVG	4000
Barbecue	PW120BE3	7520	PW120BVG	6650
Fry Top + Electric Fryer	PW120FRE3	6900		

	Width mm	Height mm	Depth mm	Oven Litres
Cooker Dimensions	1200	850 - 910	600	
Left Oven Internal Dimensions	640	350	450	78.6
Right Oven Internal Dimensions	260	350	450	30.8



Roma 110cm XG

PTW110 / PTQ110



Colours

Stainless Steel

Gloss Black

Cream

Trim

Stainless Steel



Colour matching



E3 temperature control

Features

- E3 digital temperature controls in both ovens
- Temperature range from 30°C to 300°C
- Left hand multifunction oven with 9 cooking settings
- Right hand conventional oven with 5 functions including rotisserie
- Separate grill compartment with grill pan and sliding runners
- Programmable timers in both ovens
- Fascia cooling fan keeps controls cool
- Quick start rapid heat up
- One-handed ignition control
- Flame failure devices
- Individual cast iron pan supports
- Unique high efficiency solid brass burners
- Catalytic "stay-clean" liners to roof, rear and sides of both ovens
- Pull down oven doors with removable glass for easy cleaning
- Storage Drawer
- Triple-glazed, cool to touch doors
- Child safety lock
- Rotisserie in right hand oven
- 2 wire shelves, grill pan and trivet in the left oven
- 1 wire shelf, grill pan and trivet in the right oven
- Solid stainless steel Fry Top with alternative pan supports supplied
- Plinth kit included

Special Features

- Available with Solid Doors (SD)
- Separate Grill
- Plinth Kit Included

Accessories

- Telescopic sliding oven shelves
- Stainless steel back panel
- Cast-iron griddles

Hoods



Modern
AGQ110

Hob configurations



6 Burner Fry Top

PTW110 / PTQ110	E3 CODE	Max Load W
6 Burner Fry Top	PTW110FE3	7050
SD 6 Burner Fry Top	PTQ110FE3	7050

	Width mm	Height mm	Depth mm	Oven Litres
Cooker Dimensions	1100	910	600	
Left Oven Internal Dimensions	440	350	450	53.4
Right Oven Internal Dimensions	360	350	450	43.7
Extra Grill Internal Dimensions	440	150	450	20.2

Roma 100cm XG



PTW100 / PTQ100



Colours

Stainless Steel

Gloss Black

Cream

Trim

Stainless Steel



Colour matching



E3 temperature control

Features

- E3 digital temperature controls in both ovens
- Temperature range from 30°C to 300°C
- Left hand multifunction oven with 9 cooking settings
- Right hand conventional oven with 5 functions including rotisserie
- Separate grill compartment with grill pan and sliding runners
- Programmable timers in both ovens
- Fascia cooling fan keeps controls cool
- Quick start rapid heat up
- One-handed ignition control
- Flame failure devices
- Individual cast iron pan supports
- Unique high efficiency solid brass burners
- Catalytic “stay-clean” liners to roof, rear and sides of both ovens
- Pull down oven doors with removable glass for easy cleaning
- Storage drawer
- Triple-glazed, cool to touch doors
- Child safety lock
- Rotisserie in right hand oven
- 2 wire shelves, grill pan and trivet in the left oven
- 1 wire shelf, grill pan and trivet in the right oven
- Plinth kit included

Special Features

- Available with Solid Doors (SD)
- Separate Grill
- Plinth Kit Included

Accessories

- Telescopic sliding oven shelves
- Stainless steel back panel
- Cast-iron griddles

Hoods



Modern
AGQ100



Classic
AGK100

Hob configurations



6 Burner



Fry top



6 Zone Induction

PTW100	E3 CODE	Max Load W
6 Burner	PTW1006E3	7050
Fry Top	PTW100FE3	7050
6 Zone Induction	PTW100E3	18510
SD 6 Burner	PTQ1006E3	7050
SD Fry Top	PTQ100FE3	7050
SD 6 Zone Induction	PTQ100E3	18510

	Width mm	Height mm	Depth mm	Oven Litres
Cooker Dimensions	1000	910	600	
Left Oven Internal Dimensions	440	350	450	53.4
Right Oven Internal Dimensions	360	350	450	43.7
Extra Grill Internal Dimensions	440	150	450	20.2



Roma 100cm Twin

PDW100



Colours

Stainless Steel

Gloss Black

Matt Black

White

Cream

Trim

Stainless Steel



Colour matching

E3

E3 temperature control

Features

- E3 digital temperature controls in both ovens
- Temperature range from 30°C to 300°C
- Left hand multifunction oven with 9 cooking settings
- Right hand conventional oven with 5 functions including rotisserie
- Programmable timers in both ovens
- Fascia cooling fan keeps controls cool
- Quick start rapid heat up
- One-handed ignition control
- Flame failure devices
- Individual cast iron pan supports
- Unique high efficiency solid brass burners
- Catalytic "stay-clean" liners to roof, rear and sides of both ovens
- Pull down oven doors with removable glass for easy cleaning
- Full width storage drawer
- Triple-glazed, cool to touch doors
- Height adjustable stainless steel feet
- Child safety lock
- Rotisserie in right hand oven
- 2 wire shelves, grill pan and trivet in the left oven
- 1 wire shelf, grill pan and trivet in the right oven

Special Features

- Available with a Microwave grill as the right hand oven (MW)

Accessories

- Telescopic sliding oven shelves
- Stainless steel back panel
- Plinth kit
- Cast-iron griddles

Hoods



Modern
AGQ100



Classic
AGK100

Hob configurations



6 Burner



Fry Top



6 Zone Induction



Coup de Feu



Barbecue



2 Zone Induction



Electric Fryer

PDW100	E3 CODE	Max Load W	Gas CODE	Max Load W	Microwave CODE	Max Load W
6 Burner	PDW1006E3	4550	PDW1006VG	3640	PDW1006MW	5850
Fry Top	PDW100FE3	4550	PDW100FVG	3640	PDW100FMW	5850
6 Zone Induction	PDW100E3	15650			PDW100MW	16950
Coup de Feu	PDW100SE3	4550	PDW100SVG	3640		
Barbecue	PDW100BE3	7200	PDW100BVG	6290		
2 Zone Induction	PDW100IE3	8250				
Electric Fryer	PDW100RE3	6850				

	Width mm	Height mm	Depth mm	Oven Litres
Cooker Dimensions	1000	850 - 910	600	
Left Oven Internal Dimensions	440	350	450	53.4
Right Oven Internal Dimensions	360	350	450	43.7

Roma 90cm Twin



PDW90



Colours

- Stainless Steel
- Gloss Black
- Matt Black
- White
- Cream

Trim

- Stainless Steel



Colour matching



E3 temperature control

Features

- E3 digital temperature controls in both ovens
- Temperature range from 30°C to 300°C
- Left hand multifunction oven with 9 cooking settings
- Right hand conventional oven with 5 functions including rotisserie
- Programmable timers in both ovens
- Fascia cooling fan keeps controls cool
- Quick start rapid heat up
- One-handed ignition control
- Flame failure devices
- Individual cast iron pan supports
- Unique high efficiency solid brass burners
- Catalytic “stay-clean” liners to roof, rear and sides of both ovens
- Pull down oven doors with removable glass for easy cleaning
- Full width storage drawer
- Triple-glazed, cool to touch doors
- Height adjustable stainless steel feet
- Child safety lock
- Rotisserie in right hand oven
- 2 wire shelves, grill pan and trivet in the left oven
- 1 wire shelf, grill pan and trivet in the right oven

Accessories

- Telescopic sliding oven shelves
- Stainless steel back panel
- Plinth kit
- Cast-iron griddles

Hoods

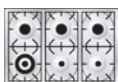


Modern
AGQ90

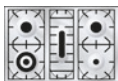


Classic
AGK90

Hob configurations



6 Burner



5 Burner



Fry Top



5 Zone Induction



Barbecue



2 Zone Induction



Electric Fryer

PDW90	E3 CODE	Max Load W	Gas CODE	Max Load W
6 Burner	PDW906E3	4350	PDW906VG	3440
5 Burner	PDW90E3	4350	PDW90VG	3440
Fry Top	PDW90FE3	4350	PDW90FVG	3440
5 Zone Induction	PDW90E3	14150		
Barbecue	PDW90BE3	7000	PDW90BVG	6090
2 Zone Induction	PDW90IE3	8050		
Electric Fryer	PDW90RE3	6650		

	Width mm	Height mm	Depth mm	Oven Litres
Cooker Dimensions	900	850 - 910	600	
Left Oven Internal Dimensions	440	350	450	53.4
Right Oven Internal Dimensions	260	350	450	30.8



Roma 90cm Single

PW90



Colours

Stainless Steel

Gloss Black

Matt Black

White

Cream

Trim

Stainless Steel



Colour matching



E3 temperature control

Features

- E3 digital oven temperature controls
- Temperature range from 30°C to 300°C
- Multifunction oven with 9 cooking settings
- Programmable timer
- Fascia cooling fan keeps controls cool
- Quick start rapid heat up
- One-handed ignition control
- Flame failure devices
- Individual cast iron pan supports
- Unique high efficiency solid brass burners
- Catalytic "stay-clean" liners to roof, rear and sides of the oven
- Pull down oven door with removable glass for easy cleaning
- Full width storage drawer
- Triple-glazed, cool to touch door
- Height adjustable stainless steel feet
- Child safety lock
- Full width rotisserie
- 2 wire shelves, grill pan and trivet

Special Features

- Full width rotisserie fitting

Accessories

- Telescopic sliding oven shelves
- Stainless steel back panel
- Plinth kit
- Cast-iron griddles

Hoods

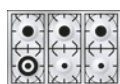


Modern
AGQ90

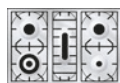


Classic
AGK90

Hob configurations



6 Burner



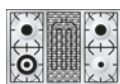
5 Burner



Fry Top



5 Zone Induction



Barbecue



2 Zone Induction



Electric Fryer

PW90	E3 CODE	Max Load W	Gas CODE	Max Load W
6 Burner	PW906E3	2900	PW906VG	2300
5 Burner	PW90E3	2900	PW90VG	2300
Fry Top	PW90FE3	2900	PW90FVG	2300
5 Zone Induction	PWI90E3	12700		
Barbecue	PW90BE3	5550	PW90BVG	4950
2 Zone Induction	PW90IE3	6600		
Electric Fryer	PW90RE3	5200		

	Width mm	Height mm	Depth mm	Oven Litres
Cooker Dimensions	900	850 - 910	600	
Main Oven Internal Dimensions	650	350	450	78.6

Roma 80cm Single



PW80



Colours

- Stainless Steel
- Gloss Black
- Matt Black
- White
- Cream

Trim

- Stainless Steel



Colour matching



E3 temperature control

Features

- E3 digital oven temperature controls
- Temperature range from 30°C to 300°C
- Multifunction oven with 9 cooking settings
- Programmable timer
- Fascia cooling fan keeps controls cool
- Quick start rapid heat up
- One-handed ignition control
- Flame failure devices
- Individual cast iron pan supports
- Unique high efficiency solid brass burners
- Catalytic “stay-clean” liners to roof, rear and sides of the oven
- Pull down oven door with removable glass for easy cleaning
- Full width storage drawer
- Triple-glazed, cool to touch door
- Height adjustable stainless steel feet
- Child safety lock
- Full width rotisserie
- 2 wire shelves , grill pan and trivet

Special Features

- Full width rotisserie fitting

Accessories

- Telescopic sliding oven shelves
- Stainless steel back panel
- Plinth kit
- Cast-iron griddles

Hoods



Modern
AGQ80

Hob configurations



5 Burner

PW80	E3 CODE	Max Load W	Gas CODE	Max Load W
5 Burner	PW80E3	2900	PW80VG	2300

	Width mm	Height mm	Depth mm	Oven Litres
Cooker Dimensions	800	850 - 910	600	
Main Oven Internal Dimensions	650	350	450	78.6



Roma 70cm Twin

PDW70



Colours

Stainless Steel

Gloss Black

Cream

Trim

Stainless Steel



Colour matching



E3 temperature control

Features

- E3 digital oven temperature control
- Temperature range from 30°C to 300°C
- Multifunction main oven with 9 cooking settings
- Separate grill compartment with grill pan and telescopic runners
- Programmable timer
- Fascia cooling fan keeps controls cool
- Quick start rapid heat up
- One-handed ignition control
- Flame failure devices
- Individual cast iron pan supports
- Unique high efficiency solid brass burners
- Catalytic "stay-clean" liners to roof, rear and sides of the oven
- Pull down oven doors with removable glass for easy cleaning
- Triple-glazed, cool to touch doors
- Child safety lock
- 2 wire shelves, grill pan and trivet in the main oven

Special Features

- Separate grill with window
- Plinth Kit Included

Accessories

- Telescopic sliding oven shelves
- Stainless steel back panel
- Cast-iron griddles

Hoods



Modern
AGQ70

Hob configurations



4 Burner

PDW70	E3 CODE	Max Load W
4 Burner	PDW70E3	5150

	Width mm	Height mm	Depth mm	Oven Litres
Cooker Dimensions	700	910	600	
Main Oven Internal Dimensions	440	350	450	53.4
Extra Grill Internal Dimensions	440	150	450	20.2

Roma 70cm Single



PW70



Colours

- Stainless Steel
- Gloss Black
- Matt Black
- White
- Cream

Trim

- Stainless Steel



Colour matching



E3 temperature control

Features

- E3 digital oven temperature controls
- Temperature range from 30°C to 300°C
- Multifunction oven with 9 cooking settings
- Programmable timer
- Fascia cooling fan keeps controls cool
- Quick start rapid heat up
- One-handed ignition control
- Flame failure devices
- Individual cast iron pan supports
- Unique high efficiency solid brass burners
- Catalytic “stay-clean” liners to roof, rear and sides of the oven
- Pull down oven door with removable glass for easy cleaning
- Full width storage drawer
- Triple-glazed, cool to touch door
- Height adjustable stainless steel feet
- Child safety lock
- 2 wire shelves, grill pan and trivet

Accessories

- Telescopic sliding oven shelves
- Stainless steel back panel
- Plinth kit
- Cast-iron griddles

Hoods



Modern
AGQ70

Hob configurations



4 Burner

PW70	E3 CODE	Max Load W	Gas CODE	Max Load W
4 Burner	PW70E3	2650	PN60VG	1740

	Width mm	Height mm	Depth mm	Oven Litres
Cooker Dimensions	700	850 - 910	600	
Main Oven Internal Dimensions	440	350	450	53.4



Roma 60cm Single

PW60



Colours

Stainless Steel

Gloss Black

Matt Black

White

Cream

Trim

Stainless Steel



Colour matching



E3 temperature control

Features

- E3 digital oven temperature controls
- Temperature range from 30°C to 300°C
- Multifunction oven with 9 cooking settings
- Programmable timer
- Fascia cooling fan keeps controls cool
- Quick start rapid heat up
- One-handed ignition control
- Flame failure devices
- Individual cast iron pan supports
- Unique high efficiency solid brass burners
- Catalytic "stay-clean" liners to roof, rear and sides of the oven
- Pull down oven door with removable glass for easy cleaning
- Full width storage drawer
- Triple-glazed, cool to touch door
- Height adjustable stainless steel feet
- Child safety lock
- 2 wire shelves, grill pan and trivet

Accessories

- Telescopic sliding oven shelves
- Stainless steel back panel
- Plinth kit
- Cast-iron griddles

Hoods



Modern
AGQ60

Hob configurations



4 Burner



4 Induction Zones

PW60	E3 CODE	Max Load W	Gas CODE	Max Load W
4 Burner	PW60E3	2650	PW60VG	1740
4 Induction Zones	PWI60E3	10050		

	Width mm	Height mm	Depth mm	Oven Litres
Cooker Dimensions	600	850 - 910	600	
Main Oven Internal Dimensions	440	350	450	53.4



Milano Collection

The ILVE Milano series of range cookers takes its design inspiration from Italy's rich cultural history and style.

Milano range cookers are available in stainless steel, gloss black, matt black, white and cream as well as blue, burgundy and green. Milano cookers have traditionally styled, embellished handles and control knobs as well as a curved window design.

All Milano range cookers have either chrome or brass trim with an antique bronze trim available as an additional extra.

Milano range cookers have a choice of up to 7 different hob configurations, dependent on width, and are available in sizes ranging from the petite 60cm to the extra-large 150cm range cooker. You can choose to have either an electric or gas oven in a selection of oven arrangements and for the first time in the UK, can even choose to include a 1000w microwave oven to be built into your range cooker. The Milano collection is the perfect addition to a traditional style kitchen looking for a modern, energy- efficient range cooker bursting with innovative features.



Milano 150cm

PN150



Colours

Stainless Steel

Gloss Black

Matt Black

White

Cream

Burgundy

Blue

Green

Trim

Chrome

Brass

Antique Bronze



Colour matching



E3 temperature control

Features

- E3 digital temperature controls in both ovens
- Temperature range from 30°C to 300°C
- Programmable timers in both ovens
- Fascia cooling Fan
- Quick start rapid heat up
- One-handed ignition control
- Flame failure devices
- Individual cast iron pan supports
- Unique high efficiency solid brass burners
- Catalytic "stay-clean" Liners to roof, rear and sides of both ovens
- Pull down oven doors with removable glass for easy cleaning
- Full width storage drawer
- Triple-glazed, cool to touch doors
- Height adjustable stainless steel feet
- Child safety lock
- Full width rotisserie in left hand oven
- 2 wire shelves, grill pan and trivet in both ovens

Special Features

- Rotisserie fitting in the left-hand oven
- 2 wire shelves and grill pans in both ovens

Accessories

- Telescopic sliding oven shelves
- Stainless steel back panel
- Plinth Kit
- Cast-Iron Griddles

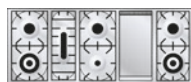
Hoods



Traditional

AG150
Available in matching colours

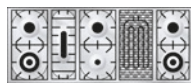
Hob configurations



Fry Top

Fry Top +
Coup de Feu

Coup de Feu



Barbecue

Fry Top +
Electric Fryer

PN150	E3 CODE	Max Load W	Gas CODE	Max Load W
Fry Top	PN150FE3	5550	PN150FVG	4950
Fry Top + Coup de Feu	PN150FSE3	5550	PN150FSVG	4950
Coup de Feu	PN150SE3	5550	PN150SVG	4950
Barbecue	PN150BE3	8200	PN150BVG	7600
Fry Top + Electric Fryer	PN150FRE3	7850		

	Width mm	Height mm	Depth mm	Oven Litres
Cooker Dimensions	1500	850 - 910	600	
Left Oven Internal Dimensions	640	350	450	78.6
Right Oven Internal Dimensions	440	350	450	53.4

Milano 120cm 60/60



PDN120



Colours

- Stainless Steel
- Gloss Black
- Matt Black
- White
- Cream
- Burgundy
- Blue
- Green

Trim

- Chrome
- Brass
- Antique Bronze



Colour matching



E3 temperature control

Features

- E3 digital temperature controls in both ovens
- Temperature range from 30°C to 300°C
- 2 multifunction ovens with 9 cooking settings
- Programmable timers in both ovens
- Fascia cooling fan keeps controls cool
- Quick start rapid heat up
- One-handed ignition control
- Flame failure devices
- Individual cast iron pan supports
- Unique high efficiency solid brass burners
- Catalytic “stay-clean” liners to roof, rear and sides of both ovens
- Pull down oven doors with removable glass for easy cleaning
- Full width storage drawer
- Triple-glazed, cool to touch doors
- Height adjustable stainless steel feet
- Child safety lock
- 2 wire shelves, grill pans and trivets in both ovens

Special Features

- 2 wire shelves and grill pans in both ovens

Accessories

- Telescopic sliding oven shelves
- Stainless steel back panel
- Plinth kit
- Cast-iron griddles

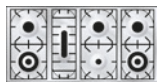
Hoods



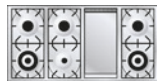
Traditional

AG120
Available in matching colours

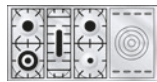
Hob configurations



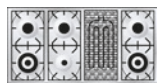
7 Burner



Fry Top



Coup de Feu



Barbecue



Fry Top + Electric Fryer

PDN120	E3 CODE	Max Load W	Gas CODE	Max Load W
7 Burner	PDN1207E3	5300	PDN1207VG	4390
Fry Top	PDN120FE3	5300	PDN120FVG	4390
Coup de Feu	PDN120SE3	5300	PDN120SVG	4390
Barbecue	PDN120BE3	7950	PDN120BVG	7040
Fry Top + Electric Fryer	PDN120FRE3	7600		

	Width mm	Height mm	Depth mm	Oven Litres
Cooker Dimensions	1200	850 - 910	600	
Left Oven Internal Dimensions	440	350	450	53.4
Right Oven Internal Dimensions	440	350	450	53.4



Milano 120cm 70/40

PSN120



Colours

Stainless Steel

Gloss Black

Matt Black

White

Cream

Burgundy

Blue

Green

Trim

Chrome

Brass

Antique Bronze



Colour matching



E3 temperature control

Features

- E3 digital temperature controls in both ovens
- Temperature range from 30°C to 300°C
- Programmable timers in both ovens
- Left hand multifunction oven with 9 cooking settings
- Right hand conventional oven with 5 functions including rotisserie
- Fascia cooling fan keeps controls cool
- Quick start rapid heat up
- One-handed ignition control
- Flame failure devices
- Individual cast iron pan supports
- Unique high efficiency solid brass burners
- Catalytic "stay-clean" liners to roof, rear and sides of both ovens
- Pull down oven doors with removable glass for easy cleaning
- Full width storage drawer
- Triple-glazed, cool to touch doors
- Height adjustable stainless steel feet
- Child safety lock
- Rotisserie fittings in both ovens
- 2 wire shelves, grill pan and trivet in the left oven
- 1 wire shelf, grill pan and trivet in the right oven

Special Features

- Both ovens have a rotisserie fitting

Accessories

- Telescopic sliding oven shelves
- Stainless steel back panel
- Plinth kit
- Cast-iron griddles

Hoods



Traditional

AG120

Available in matching colours

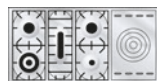
Hob configurations



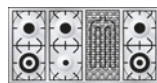
7 Burner



Fry Top



Coup de Feu



Barbecue



Fry Top + Electric Fryer

PSN120	E3 CODE	Max Load W	Gas CODE	Max Load W
7 Burner	PSN1207E3	4800	PSN1207VG	4200
Fry Top	PSN120FE3	4800	PSN120FVG	4200
Coup de Feu	PSN120SE3	4800	PSN120SVG	4200
Barbecue	PSN120BE3	7450	PSN120BVG	6850
Fry Top + Electric Fryer	PSN120FRE3	7100		

	Width mm	Height mm	Depth mm	Oven Litres
Cooker Dimensions	1200	850 - 910	600	
Left Oven Internal Dimensions	540	350	450	67.3
Right Oven Internal Dimensions	360	350	450	43.7

Milano 120cm 90/30



PN120



Colours

- Stainless Steel
- Gloss Black
- Matt Black
- White
- Cream
- Burgundy
- Blue
- Green

Trim

- Chrome
- Brass
- Antique Bronze



Colour matching



E3 temperature control

Features

- E3 digital temperature controls in both ovens
- Temperature range from 30°C to 300°C
- Programmable timers in both ovens
- Left hand multifunction oven with 9 cooking settings
- Right hand conventional oven with 5 functions including rotisserie
- Fascia cooling fan keeps controls cool
- Quick start rapid heat up
- One-handed ignition control
- Flame failure devices
- Individual cast iron pan supports
- Unique high efficiency solid brass burners
- Catalytic “stay-clean” liners to roof, rear and sides of both ovens
- Pull down oven doors with removable glass for easy cleaning
- Full width storage drawer
- Triple-glazed, cool to touch doors
- Height adjustable stainless steel feet
- Child safety lock
- Rotisserie fittings in both ovens
- 2 wire shelves, grill pan and trivet in the left oven
- 1 wire shelf, grill pan and trivet in the right oven

Special Features

- Both ovens have a rotisserie fitting

Accessories

- Telescopic sliding oven shelves
- Stainless steel back panel
- Plinth kit
- Cast-iron griddles

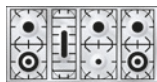
Hoods



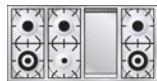
Traditional

AG120
Available in matching colours

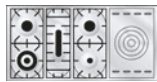
Hob configurations



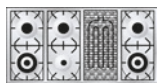
7 Burner



Fry Top



Coup de Feu



Barbecue



Fry Top + Electric Fryer

PN120	E3 CODE	Max Load W	Gas CODE	Max Load W
7 Burner	PN1207E3	4600	PN1207VG	4000
Fry Top	PN120FE3	4600	PN120FVG	4000
Coup de Feu	PN120SE3	4600	PN120SVG	4000
Barbecue	PN120BE3	7520	PN120BVG	6650
Fry Top + Electric Fryer	PN120FRE3	6900		

	Width mm	Height mm	Depth mm	Oven Litres
Cooker Dimensions	1200	850 - 910	600	
Left Oven Internal Dimensions	640	350	450	78.6
Right Oven Internal Dimensions	260	350	450	30.8



Milano 110cm XG

PTN110



Colours

Stainless Steel

Matt Black

Cream

Trim

Chrome

Brass

Antique Bronze



Colour matching



E3 temperature control

Features

- E3 digital temperature controls in both ovens
- Temperature range from 30°C to 300°C
- Left hand multifunction oven with 9 cooking settings
- Right hand conventional oven with 5 functions including rotisserie
- Separate grill compartment with grill pan and sliding runners
- Programmable timers in both ovens
- Fascia cooling fan keeps controls cool
- Quick start rapid heat up
- One-handed ignition control
- Flame failure devices
- Individual cast iron pan supports
- Unique high efficiency solid brass burners
- Catalytic "stay-clean" liners to roof, rear and sides of both ovens
- Pull down oven doors with removable glass for easy cleaning
- Storage Drawer
- Triple-glazed, cool to touch doors
- Child safety lock
- Rotisserie in right hand oven
- 2 wire shelves, grill pan and trivet in the left oven
- 1 wire shelf, grill pan and trivet in the right oven
- Solid stainless steel Fry Top with alternative pan supports supplied
- Plinth kit included

Special Features

- Separate Grill
- Plinth Kit Included

Accessories

- Telescopic sliding oven shelves
- Stainless steel back panel
- Cast-iron griddles

Hoods



Traditional

AG110
Available in Stainless Steel

Hob configurations



6 Burner Fry Top

PTN110	E3 CODE	Max Load W
6 Burner Fry Top	PTN110FE3	7050

	Width mm	Height mm	Depth mm	Oven Litres
Cooker Dimensions	1100	910	600	
Left Oven Internal Dimensions	440	350	450	53.4
Right Oven Internal Dimensions	360	350	450	43.7
Extra Grill Internal Dimensions	440	150	450	20.2

Milano 100cm XG



PTN100



Colours

- Stainless Steel
- Gloss Black
- Matt Black
- White
- Cream
- Burgundy
- Blue
- Green

Trim

- Chrome
- Brass
- Antique Bronze



Colour matching



E3 temperature control

Features

- E3 digital temperature controls in both ovens
- Temperature range from 30°C to 300°C
- Left hand multifunction oven with 9 cooking settings
- Right hand conventional oven with 5 functions including rotisserie
- Separate grill compartment with grill pan and sliding runners
- Programmable timers in both ovens
- Fascia cooling fan keeps controls cool
- Quick start rapid heat up
- One-handed ignition control
- Flame failure devices
- Individual cast iron pan supports
- Unique high efficiency solid brass burners
- Catalytic “stay-clean” liners to roof, rear and sides of both ovens
- Pull down oven doors with removable glass for easy cleaning
- Storage drawer
- Triple-glazed, cool to touch doors
- Child safety lock
- Rotisserie in right hand oven
- 2 wire shelves, grill pan and trivet in the left oven
- 1 wire shelf, grill pan and trivet in the right oven
- Plinth kit included

Special Features

- Separate grill
- Plinth Kit Included

Accessories

- Telescopic sliding oven shelves
- Stainless steel back panel
- Cast-iron griddles

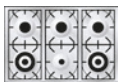
Hoods



Traditional

AG100
Available in matching colours

Hob configurations



6 Burner



Fry top



6 Zone Induction

PTN100	E3 CODE	Max Load W
6 Burner	PTN1006E3	7050
Fry Top	PTN100FE3	7050
6 Zone Induction	PTN100E3	18510

	Width mm	Height mm	Depth mm	Oven Litres
Cooker Dimensions	1000	910	600	
Left Oven Internal Dimensions	440	350	450	53.4
Right Oven Internal Dimensions	360	350	450	43.7
Extra Grill Internal Dimensions	440	150	450	20.2



Milano 100cm Twin

PDN100



Colours

Stainless Steel

Gloss Black

Matt Black

White

Cream

Burgundy

Blue

Green

Trim

Chrome

Brass

Antique Bronze



Colour matching



E3 temperature control

Features

- E3 digital temperature controls in both ovens
- Temperature range from 30°C to 300°C
- Left hand multifunction oven with 9 cooking settings
- Right hand conventional oven with 5 functions including rotisserie
- Programmable timers in both ovens
- Fascia cooling fan keeps controls cool
- Quick start rapid heat up
- One-handed ignition control
- Flame failure devices
- Individual cast iron pan supports
- Unique high efficiency solid brass burners
- Catalytic "stay-clean" liners to roof, rear and sides of both ovens
- Pull down oven doors with removable glass for easy cleaning
- Full width storage drawer
- Triple-glazed, cool to touch doors
- Height adjustable stainless steel feet
- Child safety lock
- Rotisserie in right hand oven
- 2 wire shelves, grill pan and trivet in the left oven
- 1 wire shelf, grill pan and trivet in the right oven

Special Features

- Available with a Microwave grill as the right hand oven

Accessories

- Telescopic sliding oven shelves
- Stainless steel back panel
- Plinth kit
- Cast-iron griddles

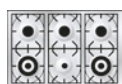
Hoods



Traditional

AG100
Available in matching colours

Hob configurations



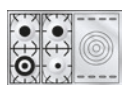
6 Burner



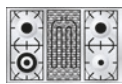
Fry Top



6 Zone Induction



Coup de Feu



Barbecue



2 Zone Induction



Electric Fryer

PDN100	E3 CODE	Max Load W	Gas CODE	Max Load W	Microwave CODE	Max Load W
6 Burner	PDN1006E3	4550	PDN1006VG	3640	PDN1006MW	5850
Fry Top	PDN100FE3	4550	PDN100FVG	3640	PDN100FMW	5850
6 Zone Induction	PDN100E3	15650			PDN100MW	16950
Coup de Feu	PDN100SE3	4550	PDN100SVG	3640		
Barbecue	PDN100BE3	7200	PDN100BVG	6290		
2 Zone Induction	PDN100IE3	8250				
Electric Fryer	PDN100RE3	6850				

	Width mm	Height mm	Depth mm	Oven Litres
Cooker Dimensions	1000	850 - 910	600	
Left Oven Internal Dimensions	440	350	450	53.4
Right Oven Internal Dimensions	360	350	450	43.7

Milano 90cm Twin



PDN90



Colours

- Stainless Steel
- Gloss Black
- Matt Black
- White
- Cream
- Burgundy
- Blue
- Green

Trim

- Chrome
- Brass
- Antique Bronze



Colour matching



E3 temperature control

Features

- E3 digital temperature controls in both ovens
- Temperature range from 30°C to 300°C
- Left hand multifunction oven with 9 cooking settings
- Right hand conventional oven with 5 functions including rotisserie
- Programmable timers in both ovens
- Fascia cooling fan keeps controls cool
- Quick start rapid heat up
- One-handed ignition control
- Flame failure devices
- Individual cast iron pan supports
- Unique high efficiency solid brass burners
- Catalytic “stay-clean” liners to roof, rear and sides of both ovens
- Pull down oven doors with removable glass for easy cleaning
- Full width storage drawer
- Triple-glazed, cool to touch doors
- Height adjustable stainless steel feet
- Child safety lock
- Rotisserie in right hand oven
- 2 wire shelves, grill pan and trivet in the left oven
- 1 wire shelf, grill pan and trivet in the right oven

Accessories

- Telescopic sliding oven shelves
- Stainless steel back panel
- Plinth kit
- Cast-iron griddles

Hoods



Traditional

AG90
Available in matching colours

Hob configurations



6 Burner



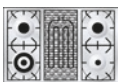
5 Burner



Fry Top



5 Zone Induction



Barbecue



2 Zone Induction



Electric Fryer

PDN90	E3 CODE	Max Load W	Gas CODE	Max Load W
6 Burner	PDN906E3	4350	PDN906VG	3440
5 Burner	PDN90E3	4350	PDN90VG	3440
Fry Top	PDN90FE3	4350	PDN90FVG	3440
5 Zone Induction	PDN90E3	14150		
Barbecue	PDN90BE3	7000	PDN90BVG	6090
2 Zone Induction	PDN90IE3	8050		
Electric Fryer	PDN90RE3	6650		

	Width mm	Height mm	Depth mm	Oven Litres
Cooker Dimensions	900	850 - 910	600	
Left Oven Internal Dimensions	440	350	450	53.4
Right Oven Internal Dimensions	260	350	450	30.8



Milano 90cm Single

PN90



Colours

Stainless Steel

Gloss Black

Matt Black

White

Cream

Burgundy

Blue

Green

Trim

Chrome

Brass

Antique Bronze



Colour matching



E3 temperature control

Features

- E3 digital oven temperature controls
- Temperature range from 30°C to 300°C
- Multifunction oven with 9 cooking settings
- Programmable timer
- Fascia cooling fan keeps controls cool
- Quick start rapid heat up
- One-handed ignition control
- Flame failure devices
- Individual cast iron pan supports
- Unique high efficiency solid brass burners
- Catalytic "stay-clean" liners to roof, rear and sides of the oven
- Pull down oven door with removable glass for easy cleaning
- Full width storage drawer
- Triple-glazed, cool to touch door
- Height adjustable stainless steel feet
- Child safety lock
- Full width rotisserie
- 2 wire shelves, grill pan and trivet

Special Features

- Full width rotisserie fitting

Accessories

- Telescopic sliding oven shelves
- Stainless steel back panel
- Plinth kit
- Cast-iron griddles

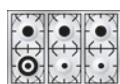
Hoods



Traditional

AG90
Available in matching colours

Hob configurations



6 Burner



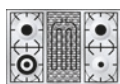
5 Burner



Fry Top



5 Zone Induction



Barbecue



2 Zone Induction



Electric Fryer

PN90	E3 CODE	Max Load W	Gas CODE	Max Load W
6 Burner	PN906E3	2900	PN906VG	2300
5 Burner	PN90E3	2900	PN90VG	2300
Fry Top	PN90FE3	2900	PN90FVG	2300
5 Zone Induction	PNi90E3	12700		
Barbecue	PN90BE3	5550	PN90BVG	4950
2 Zone Induction	PN90IE3	6600		
Electric Fryer	PN90RE3	5200		

	Width mm	Height mm	Depth mm	Oven Litres
Cooker Dimensions	900	850 - 910	600	
Main Oven Internal Dimensions	650	350	450	78.6

Milano 80cm Single



PN80



Colours

- Stainless Steel
- Gloss Black
- Matt Black
- White
- Cream
- Burgundy
- Blue
- Green

Trim

- Chrome
- Brass
- Antique Bronze



Colour matching



E3 temperature control

Features

- E3 digital oven temperature controls
- Temperature range from 30°C to 300°C
- Multifunction oven with 9 cooking settings
- Programmable timer
- Fascia cooling fan keeps controls cool
- Quick start rapid heat up
- One-handed ignition control
- Flame failure devices
- Individual cast iron pan supports
- Unique high efficiency solid brass burners
- Catalytic “stay-clean” liners to roof, rear and sides of the oven
- Pull down oven door with removable glass for easy cleaning
- Full width storage drawer
- Triple-glazed, cool to touch door
- Height adjustable stainless steel feet
- Child safety lock
- Full width rotisserie
- 2 wire shelves, grill pan and trivet

Special Features

- Full width rotisserie fitting

Accessories

- Telescopic sliding oven shelves
- Stainless steel back panel
- Plinth kit
- Cast-iron griddles

Hoods



Traditional

AG80
Stainless Steel

Hob configurations



5 Burner

PN80	E3 CODE	Max Load W	Gas CODE	Max Load W
5 Burner	PN80E3	2900	PN80VG	2300

	Width mm	Height mm	Depth mm	Oven Litres
Cooker Dimensions	800	850 - 910	600	
Main Oven Internal Dimensions	650	350	450	78.6



Milano 70cm Twin

PDN70



Colours

Stainless Steel

Gloss Black

Matt Black

White

Cream

Burgundy

Blue

Green

Trim

Chrome

Brass

Antique Bronze



Colour matching



E3 temperature control

Features

- E3 digital oven temperature control
- Temperature range from 30°C to 300°C
- Multifunction main oven with 9 cooking settings
- Separate grill compartment with grill pan and sliding runners
- Programmable timer
- Fascia cooling fan keeps controls cool
- Quick start rapid heat up
- One-handed ignition control
- Flame failure devices
- Individual cast iron pan supports
- Unique high efficiency solid brass burners
- Catalytic "stay-clean" liners to roof, rear and sides of the oven
- Pull down oven doors with removable glass for easy cleaning
- Triple-glazed, cool to touch doors
- Child safety lock
- 2 wire shelves, grill pan and trivet in the main oven

Special Features

- Separate grill with window
- Plinth Kit Included

Accessories

- Telescopic sliding oven shelves
- Stainless steel back panel
- Cast-iron griddles

Hoods



Traditional

AG70
Available in matching colours

Hob configurations



4 Burner

PDN70	E3 CODE	Max Load W	Gas CODE	Max Load W
4 Burner	PDN70E3	5150		

	Width mm	Height mm	Depth mm	Oven Litres
Cooker Dimensions	700	910	600	
Main Oven Internal Dimensions	440	350	450	53.4
Extra Grill Internal Dimensions	440	150	450	20.2

Milano 70cm Single



PN70



Colours

- Stainless Steel
- Gloss Black
- Matt Black
- White
- Cream
- Burgundy
- Blue
- Green

Trim

- Chrome
- Brass
- Antique Bronze



Colour matching



E3 temperature control

Features

- E3 digital oven temperature controls
- Temperature range from 30°C to 300°C
- Multifunction oven with 9 cooking settings
- Programmable timer
- Fascia cooling fan keeps controls cool
- Quick start rapid heat up
- One-handed ignition control
- Flame failure devices
- Individual cast iron pan supports
- Unique high efficiency solid brass burners
- Catalytic “stay-clean” liners to roof, rear and sides of the oven
- Pull down oven door with removable glass for easy cleaning
- Full width storage drawer
- Triple-glazed, cool to touch door
- Height adjustable stainless steel feet
- Child safety lock
- 2 wire shelves, grill pan and trivet

Accessories

- Telescopic sliding oven shelves
- Stainless steel back panel
- Plinth kit
- Cast-iron griddles

Hoods



Traditional

AG70
Available in matching colours

Hob configurations



4 Burner

PN70	E3 CODE	Max Load W	Gas CODE	Max Load W
4 Burner	PN70E3	2650	PN70VG	1740

	Width mm	Height mm	Depth mm	Oven Litres
Cooker Dimensions	700	850 - 910	600	
Main Oven Internal Dimensions	440	350	450	53.4



Milano 60cm Single

PN60



Colours

Stainless Steel

Gloss Black

Matt Black

White

Cream

Burgundy

Blue

Green

Trim

Chrome

Brass

Antique Bronze



Colour matching



E3 temperature control

Features

- E3 digital oven temperature controls
- Temperature range from 30°C to 300°C
- Multifunction oven with 9 cooking settings
- Programmable timer
- Fascia cooling fan keeps controls cool
- Quick start rapid heat up
- One-handed ignition control
- Flame failure devices
- Individual cast iron pan supports
- Unique high efficiency solid brass burners
- Catalytic "stay-clean" liners to roof, rear and sides of the oven
- Pull down oven door with removable glass for easy cleaning
- Full width storage drawer
- Triple-glazed, cool to touch door
- Height adjustable stainless steel feet
- Child safety lock
- 2 wire shelves, grill pan and trivet

Accessories

- Telescopic sliding oven shelves
- Stainless steel back panel
- Plinth kit
- Cast-iron griddles

Hoods



Traditional

AG60
Available in matching colours

Hob configurations



4 Burner



4 Induction Zones

PN60	E3 CODE	Max Load W	Gas CODE	Max Load W
4 Burner	PN60E3	2650	PN60VG	1740
4 Induction Zones	PN160E3	10050		

	Width mm	Height mm	Depth mm	Oven Litres
Cooker Dimensions	600	850 - 910	600	
Main Oven Internal Dimensions	440	350	450	53.4



Majestic Roma Collection

The Majestic collection combines the very best in Italian flair with the style of an impressive American range cooker. The Majestic is a deeper cooker and comes in a wide range of American sizes for customers wanting a real statement appliance in their kitchen.

The Majestic Roma oozes sophistication with modern styling and would provide a stunning centrepiece to any contemporary kitchen. The Majestic Roma range cookers feature modern stainless steel handles and control knobs as well as a contoured fascia design. Majestic Roma range cookers are fitted with stainless steel height adjustable feet as standard.

Majestic Roma range cookers are available in a wide choice of colours including stainless steel,

matt black, cream, white, burgundy, green and blue and are available with up to 7 hob configurations to choose from. The Majestic Roma comes in varying sizes starting at the compact 70cm wide (28") range cooker increasing up to the mighty 150cm (60") wide Majestic Roma.

The Majestic Roma range cookers all feature the next level in ILVE range cooker technology including oven temperature probes, soft-close storage drawers and dual control wok burners. Majestic Roma cookers can be built with either E3 digital precision temperature control in electric ovens or a fanned gas oven option, providing complete versatility based on the way that you cook.



Majestic Roma 150cm

MT150



Colours

Stainless Steel

Matt Black

White

Cream

Burgundy

Blue

Green

Trim

Stainless Steel



Colour matching



E3 temperature control

Features

- E3 digital temperature controls in both ovens
- Temperature range from 30°C to 300°C
- Oven temperature probe (E3 only)
- 2 multifunction ovens with 9 cooking settings
- Dual ring wok burner with individual ring control
- Programmable timers in both ovens
- Fascia cooling fan keeps controls cool
- Quick start rapid heat up
- One-handed ignition control
- Flame failure devices
- Individual cast iron pan supports
- Unique high efficiency solid brass burners
- Catalytic "stay-clean" liners to roof, rear and sides of both ovens
- Rounded hob top corners
- Pull down oven doors with removable glass for easy cleaning
- Full width storage drawer with soft close
- Triple-glazed, cool to touch doors
- Height adjustable stainless steel feet
- Child safety lock
- Rotisserie fitting in left hand oven
- 2 wire shelves, a grill pan and a trivet in both ovens

Accessories

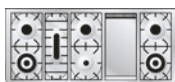
- Telescopic sliding oven shelves
- Stainless steel back panel and warming shelf
- Stainless steel plinth kit
- Cast-iron griddles

Hoods

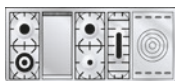


Majestic
AM150

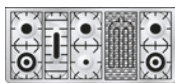
Hob configurations



Fry Top

Fry Top +
Coup de Feu

Coup de Feu



Barbecue

Fry Top +
Electric Fryer

MT150	E3 CODE	Max Load W	Gas CODE	Max Load W
Fry Top	MT150FDE3	5550	MT150FDVG	4950
Fry Top + Coup de Feu	MT150FSDE3	5550	MT150FSDVG	4950
Coup de Feu	MT150SDE3	5550	MT150SDVG	4950
Barbecue	MT150BDE3	8200	MT150BDVG	7600
Fry Top + Electric Fryer	MT150FRDE3	7850		

	Width mm	Height mm	Depth mm	Oven Litres
Cooker Dimensions	1511	870 - 930	700	
Left Oven Internal Dimensions	640	350	450	78.6
Right Oven Internal Dimensions	440	350	450	53.4

Majestic Roma 120cm 70/40



MTS120



Colours

- Stainless Steel
- Matt Black
- White
- Cream
- Burgundy
- Blue
- Green

Trim

- Stainless Steel



Colour matching



E3 temperature control

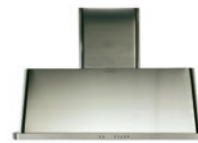
Features

- E3 digital temperature controls in both ovens
- Temperature range from 30°C to 300°C
- Oven temperature probe (E3 only)
- Left hand multifunction oven with 9 cooking settings
- Right hand conventional oven with 5 functions including rotisserie
- Dual ring wok burner with individual ring control
- Programmable timers in both ovens
- Fascia cooling fan keeps controls cool
- Quick start rapid heat up
- One-handed ignition control
- Flame failure devices
- Individual cast iron pan supports
- Unique high efficiency solid brass burners
- Catalytic “stay-clean” liners to roof, rear and sides of both ovens
- Rounded hob top corners
- Pull down oven doors with removable glass for easy cleaning
- Full width storage drawer with soft close
- Triple-glazed, cool to touch doors
- Height adjustable stainless steel feet
- Child safety lock
- Rotisserie in both ovens
- 2 wire shelves, grill pan and trivet in the left oven
- 1 wire shelf, grill pan and trivet in the right oven

Accessories

- Telescopic sliding oven shelves
- Stainless steel back panel and warming shelf
- Stainless steel plinth kit
- Cast-iron griddles

Hoods



Majestic
AM120

Hob configurations



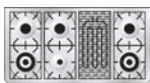
7 Burner



Fry Top



Coup de Feu



Barbecue



**Fry Top +
Electric Fryer**

MTS120	E3 CODE	Max Load W	Gas CODE	Max Load W
7 Burner	MTS1207DE3	4800	MTS1207DVG	4200
Fry Top	MTS120FDE3	4800	MTS120FDVG	4200
Coup de Feu	MTS120SDE3	4800	MTS120SDVG	4200
Barbecue	MTS120BDE3	7450	MTS120BDVG	6850
Fry Top + Electric Fryer	MTS120FRDE3	7100		

	Width mm	Height mm	Depth mm	Oven Litres
Cooker Dimensions	1216	870 - 930	700	
Left Oven Internal Dimensions	540	350	450	67.3
Right Oven Internal Dimensions	360	350	450	43.7



Majestic Roma 120cm 90/30

MT120



Colours

Stainless Steel

Matt Black

White

Cream

Burgundy

Blue

Green

Trim

Stainless Steel



Colour matching



E3 temperature control

Features

- E3 digital temperature controls in both ovens
- Temperature range from 30°C to 300°C
- Oven temperature probe (E3 only)
- Left hand multifunction oven with 9 cooking settings
- Right hand conventional oven with 5 functions including rotisserie
- Dual ring wok burner with individual ring control
- Programmable timers in both ovens
- Fascia cooling fan keeps controls cool
- Quick start rapid heat up
- One-handed ignition control
- Flame failure devices
- Individual cast iron pan supports
- Unique high efficiency solid brass burners
- Catalytic "stay-clean" liners to roof, rear and sides of both ovens
- Rounded hob top corners
- Pull down oven doors with removable glass for easy cleaning
- Full width storage drawer with soft close
- Triple-glazed, cool to touch doors
- Height adjustable stainless steel feet
- Child safety lock
- Rotisserie in both ovens
- 2 wire shelves, grill pan and trivet in the left oven
- 1 wire shelf, grill pan and trivet in the right oven

Accessories

- Telescopic sliding oven shelves
- Stainless steel back panel and warming shelf
- Stainless steel plinth kit
- Cast-iron griddles

Hoods

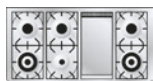


Majestic
AM120

Hob configurations



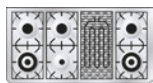
7 Burner



Fry Top



Coup de Feu



Barbecue

Fry Top +
Electric Fryer

MT120	E3 CODE	Max Load W	Gas CODE	Max Load W
7 Burner	MT1207DE3	4600	MT1207DVG	4000
Fry Top	MT120FDE3	4600	MT120FDVG	4000
Coup de Feu	MT120SDE3	4600	MT120SDVG	4000
Barbecue	MT120BDE3	7520	MT120BDVG	6650
Fry Top + Electric Fryer	MT120FRDE3	6900		

	Width mm	Height mm	Depth mm	Oven Litres
Cooker Dimensions	1216	870 - 930	700	
Left Oven Internal Dimensions	640	350	450	78.6
Right Oven Internal Dimensions	260	350	450	30.8

Majestic Roma 100cm Twin



MTD100



Colours

- Stainless Steel
- Matt Black**
- White
- Cream
- Burgundy
- Blue
- Green

Trim

- Stainless Steel



Colour matching



E3 temperature control

Features

- E3 digital temperature controls in both ovens
- Temperature range from 30°C to 300°C
- Oven temperature probe (E3 only)
- Left hand multifunction oven with 9 cooking settings
- Right hand conventional oven with 5 functions including rotisserie
- Dual ring wok burner with individual ring control
- Programmable timers in both ovens
- Fascia cooling fan keeps controls cool
- Quick start rapid heat up
- One-handed ignition control
- Flame failure devices
- Individual cast iron pan supports
- Unique high efficiency solid brass burners
- Catalytic “stay-clean” liners to roof, rear and sides of both ovens
- Rounded hob top corners
- Pull down oven doors with removable glass for easy cleaning
- Full width storage drawer with soft close
- Triple-glazed, cool to touch doors
- Height adjustable stainless steel feet
- Child safety lock
- Rotisserie in right hand oven
- 2 wire shelves, grill pan and trivet in the left oven
- 1 wire shelf, grill pan and trivet in the right oven

Accessories

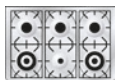
- Telescopic sliding oven shelves
- Stainless steel back panel and warming shelf
- Stainless steel plinth kit
- Cast-iron griddles

Hoods



Majestic
AM100

Hob configurations



6 Burner



Fry Top



6 Zone Induction



Coup de Feu



Barbecue



2 Zone Induction



Electric Fryer

MTD100	E3 CODE	Max Load W	Gas CODE	Max Load W
6 Burner	MTD1006DE3	4550	MTD1006DVG	3640
Fry Top	MTD100FDE3	4550	MTD100FDVG	3640
6 Zone Induction	MTDI100DE3	15650		
Coup de Feu	MTD100SDE3	4550	MTD100SDVG	3640
Barbecue	MTD100BDE3	7200	MTD100BDVG	6290
2 Zone Induction	MTD100IDE3	8250		
Electric Fryer	MTD100RDE3	6850		

	Width mm	Height mm	Depth mm	Oven Litres
Cooker Dimensions	1000	870 - 930	700	
Left Oven Internal Dimensions	440	350	450	53.4
Right Oven Internal Dimensions	260	350	450	30.8



Majestic Roma 90cm Single

MT90



Colours

Stainless Steel

Matt Black

White

Cream

Burgundy

Blue

Green

Trim

Stainless Steel



Colour matching



E3 temperature control

Features

- E3 digital temperature controls in both ovens
- Temperature range from 30°C to 300°C
- Oven temperature probe (E3 only)
- Multifunction oven with 9 cooking settings
- Dual ring wok burner with individual ring control
- Programmable timers in both ovens
- Fascia cooling fan keeps controls cool
- Quick start rapid heat up
- One-handed ignition control
- Flame failure devices
- Individual cast iron pan supports
- Unique high efficiency solid brass burners
- Catalytic "stay-clean" liners to roof, rear and sides of oven
- Rounded hob top corners
- Pull down oven door with removable glass for easy cleaning
- Full width storage drawer with soft close
- Triple-glazed, cool to touch door
- Height adjustable stainless steel feet
- Child safety lock
- Full width rotisserie
- 2 wire shelves, grill pan and trivet in the oven

Accessories

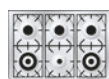
- Telescopic sliding oven shelves
- Stainless steel back panel and warming shelf
- Stainless steel plinth kit
- Cast-iron griddles

Hoods

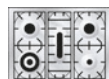


Majestic
AM90

Hob configurations



6 Burner



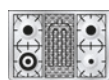
5 Burner



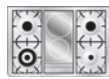
Fry Top



5 Zone Induction



Barbecue



2 Zone Induction



Electric Fryer

MT90	E3 CODE	Max Load W	Gas CODE	Max Load W
6 Burner	MT906DE3	2900	MT906DVG	2300
5 Burner	MT90DE3	2900	MT90DVG	2300
Fry Top	MT90FDE3	2900	MT90FDVG	2300
5 Zone Induction	MTI90DE3	12700		
Barbecue	MT90BDE3	5550	MT90BDVG	4950
2 Zone Induction	MT90IDE3	6600		
Electric Fryer	MT90RDE3	5200		

	Width mm	Height mm	Depth mm	Oven Litres
Cooker Dimensions	911	870 - 930	700	
Main Oven Internal Dimensions	650	350	450	78.6

Majestic Roma 76cm Single



MT76



Colours

- Stainless Steel
- Matt Black**
- White
- Cream
- Burgundy
- Blue
- Green

Trim

- Stainless Steel



Colour matching



E3 temperature control

Features

- E3 digital temperature controls in both ovens
- Temperature range from 30°C to 300°C
- Oven temperature probe (E3 only)
- Multifunction oven with 9 cooking settings
- Dual ring wok burner with individual ring control
- Programmable timers in both ovens
- Fascia cooling fan keeps controls cool
- Quick start rapid heat up
- One-handed ignition control
- Flame failure devices
- Individual cast iron pan supports
- Unique high efficiency solid brass burners
- Catalytic “stay-clean” liners to roof, rear and sides of oven
- Rounded hob top corners
- Pull down oven door with removable glass for easy cleaning
- Full width storage drawer with soft close
- Triple-glazed, cool to touch door
- Height adjustable stainless steel feet
- Child safety lock
- Full width rotisserie
- 2 wire shelves, grill pan and trivet in the oven

Accessories

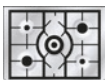
- Telescopic sliding oven shelves
- Stainless steel back panel and warming shelf
- Stainless steel plinth kit

Hoods



Majestic
AM76

Hob configurations



5 Burner

MT76	E3 CODE	Max Load W	Gas CODE	Max Load W
5 Burner	MT76DE3	2900	MT76DVG	2300

	Width mm	Height mm	Depth mm	Oven Litres
Cooker Dimensions	760	870 - 930	700	
Main Oven Internal Dimensions	540	350	450	67.3



Majestic Roma 70cm Single

M70



Colours

Stainless Steel

Matt Black

White

Cream

Burgundy

Blue

Green

Trim

Stainless Steel



Colour matching



E3 temperature control

Features

- E3 digital temperature controls in both ovens
- Temperature range from 30°C to 300°C
- Oven temperature probe (E3 only)
- Multifunction oven with 9 cooking settings
- Dual ring wok burner with individual ring control
- Programmable timers in both ovens
- Fascia cooling fan keeps controls cool
- Quick start rapid heat up
- One-handed ignition control
- Flame failure devices
- Individual cast iron pan supports
- Unique high efficiency solid brass burners
- Catalytic "stay-clean" liners to roof, rear and sides of oven
- Rounded hob top corners
- Pull down oven door with removable glass for easy cleaning
- Full width storage drawer with soft close
- Triple-glazed, cool to touch door
- Height adjustable stainless steel feet
- Child safety lock
- 2 wire shelves, grill pan and trivet in the oven

Accessories

- Telescopic sliding oven shelves
- Stainless steel back panel and warming shelf
- Stainless steel plinth kit
- Cast-iron griddles

Hoods



Majestic
AM70

Hob configurations



4 Burner

M70	E3 CODE	Max Load W	Gas CODE	Max Load W
4 Burner	MT70DE3	2650	MT70DVG	1740

	Width mm	Height mm	Depth mm	Oven Litres
Cooker Dimensions	700	870 - 930	700	
Main Oven Internal Dimensions	440	350	450	53.4



Majestic Milano Collection

The Majestic range combines the very best in Italian flair with the style of an impressive American range cooker. The Majestic is a deeper cooker and comes in a wide range of American sizes for customers wanting a real statement appliance in their kitchen.

The Majestic Milano has all the style of the traditional Milano range cooker but with extra options and extravagant finishes. Majestic Milanos have embellished chrome or brass handles, control knobs and outer door trim and feature traditional style feet, giving the range cooker an sophisticated yet classic feel.

Available with brass or chrome trim as standard with the option to upgrade to antique bronze as an additional extra, the Majestic Milano also has a wide choice of colour options including matt black, stainless steel, white, cream, blue, burgundy and

green. Elegant, ornate feet and matching handrails are also available as accessories in matching finishes, enabling the Majestic Milano to truly shine with Italian style.

The Majestic Milano collection has 5 widths to choose from ranging from the impressive 150cm (60") cooker to the slim 70cm (28") range cooker and has up to 7 possible hob configurations.

Majestic Milano range cookers all feature ILVE's most advanced cooking technology including dual control wok burners, oven temperature probes and soft-close storage drawers. Majestic Milano range cookers are available with either electric ovens with E3 precision temperature control or fanned gas ovens, offering complete versatility based on individual cooking preferences.



Majestic Milano 150cm

M150



Colours

Stainless Steel

Matt Black

White

Cream

Burgundy

Blue

Green

Trim

Chrome

Brass

Antique Bronze



Colour matching



E3 temperature control

Features

- E3 digital temperature controls in both ovens
- Temperature range from 30°C to 300°C
- Oven temperature probe (E3 only)
- 2 multifunction ovens with 9 cooking settings
- Dual ring wok burner with individual ring control
- Programmable timers in both ovens
- Fascia cooling fan keeps controls cool
- Quick start rapid heat up
- One-handed ignition control
- Flame failure devices
- Individual cast iron pan supports
- Unique high efficiency solid brass burners
- Catalytic "stay-clean" liners to roof, rear and sides of both ovens
- Rounded hob top corners
- Pull down oven doors with removable glass for easy cleaning
- Full width storage drawer with soft close
- Triple-glazed, cool to touch doors
- Solid metal feet
- Child safety lock
- Rotisserie fitting in left hand oven
- 2 wire shelves, a grill pan and a trivet in both ovens

Accessories

- Telescopic sliding oven shelves
- Stainless steel back panel and warming shelf
- Cast-iron griddles

Hoods



Majestic
AM150

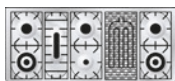
Hob configurations



Fry Top

Fry Top +
Coup de Feu

Coup de Feu



Barbecue

Fry Top +
Electric Fryer

M150	E3 CODE	Max Load W	Gas CODE	Max Load W
Fry Top	M150FDE3	5550	M150FDVG	4950
Fry Top + Coup de Feu	M150FSDE3	5550	M150FSDVG	4950
Coup de Feu	M150SDE3	5550	M150SDVG	4950
Barbecue	M150BDE3	8200	M150BDVG	7600
Fry Top + Electric Fryer	M150FRDE3	7850		

	Width mm	Height mm	Depth mm	Oven Litres
Cooker Dimensions	1511	920	700	
Left Oven Internal Dimensions	640	350	450	78.6
Right Oven Internal Dimensions	440	350	450	53.4

Majestic Milano 120cm 70/40



MS120



Colours

- Stainless Steel
- Matt Black
- White
- Cream
- Burgundy
- Blue
- Green

Trim

- Chrome
- Brass
- Antique Bronze



Colour matching



E3 temperature control

Features

- E3 digital temperature controls in both ovens
- Temperature range from 30°C to 300°C
- Oven temperature probe (E3 only)
- Left hand multifunction oven with 9 cooking settings
- Right hand conventional oven with 5 functions including rotisserie
- Dual ring wok burner with individual ring control
- Programmable timers in both ovens
- Fascia cooling fan keeps controls cool
- Quick start rapid heat up
- One-handed ignition control
- Flame failure devices
- Individual cast iron pan supports
- Unique high efficiency solid brass burners
- Catalytic "stay-clean" liners to roof, rear and sides of both ovens
- Rounded hob top corners
- Pull down oven doors with removable glass for easy cleaning
- Full width storage drawer with soft close
- Triple-glazed, cool to touch doors
- Solid metal feet
- Child safety lock
- Rotisserie in both ovens
- 2 wire shelves, grill pan and trivet in the left oven
- 1 wire shelf, grill pan and trivet in the right oven

Accessories

- Telescopic sliding oven shelves
- Stainless steel back panel and warming shelf
- Cast-iron griddles

Hoods



Majestic
AM120

Hob configurations



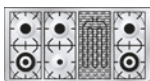
7 Burner



Fry Top



Coup de Feu



Barbecue



**Fry Top +
Electric Fryer**

MS120	E3 CODE	Max Load W	Gas CODE	Max Load W
7 Burner	MS1207DE3	4800	MS1207DVG	4200
Fry Top	MS120FDE3	4800	MS120FDVG	4200
Coup de Feu	MS120SDE3	4800	MS120SDVG	4200
Barbecue	MS120BDE3	7450	MS120BDVG	6850
Fry Top + Electric Fryer	MS120FRDE3	7100		

	Width mm	Height mm	Depth mm	Oven Litres
Cooker Dimensions	1216	920	700	
Left Oven Internal Dimensions	540	350	450	67.3
Right Oven Internal Dimensions	360	350	450	43.7



Majestic Milano 120cm 90/30

M120



Colours

Stainless Steel

Matt Black

White

Cream

Burgundy

Blue

Green

Trim

Chrome

Brass

Antique Bronze



Colour matching



E3 temperature control

Features

- E3 digital temperature controls in both ovens
- Temperature range from 30°C to 300°C
- Oven temperature probe (E3 only)
- Left hand multifunction oven with 9 cooking settings
- Right hand conventional oven with 5 functions including rotisserie
- Dual ring wok burner with individual ring control
- Programmable timers in both ovens
- Fascia cooling fan keeps controls cool
- Quick start rapid heat up
- One-handed ignition control
- Flame failure devices
- Individual cast iron pan supports
- Unique high efficiency solid brass burners
- Catalytic "stay-clean" liners to roof, rear and sides of both ovens
- Rounded hob top corners
- Pull down oven doors with removable glass for easy cleaning
- Full width storage drawer with soft close
- Triple-glazed, cool to touch doors
- Solid metal feet
- Child safety lock
- Rotisserie in both ovens
- 2 wire shelves, grill pan and trivet in the left oven
- 1 wire shelf, grill pan and trivet in the right oven

Accessories

- Telescopic sliding oven shelves
- Stainless steel back panel and warming shelf
- Cast-iron griddles

Hoods



Majestic
AM120

Hob configurations



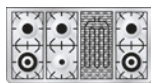
7 Burner



Fry Top



Coup de Feu



Barbecue

Fry Top +
Electric Fryer

M120	E3 CODE	Max Load W	Gas CODE	Max Load W
7 Burner	M1207DE3	4600	M1207DVG	4000
Fry Top	M120FDE3	4600	M120FDVG	4000
Coup de Feu	M120SDE3	4600	M120SDVG	4000
Barbecue	M120BDE3	7520	M120BDVG	6650
Fry Top + Electric Fryer	M120FRDE3	6900		

	Width mm	Height mm	Depth mm	Oven Litres
Cooker Dimensions	1216	920	700	
Left Oven Internal Dimensions	640	350	450	78.6
Right Oven Internal Dimensions	260	350	450	30.8

Majestic Milano 100cm Twin



MD100



Colours

- Stainless Steel
- Matt Black
- White
- Cream
- Burgundy
- Blue
- Green

Trim

- Chrome
- Brass
- Antique Bronze



Colour matching



E3 temperature control

Features

- E3 digital temperature controls in both ovens
- Temperature range from 30°C to 300°C
- Oven temperature probe (E3 only)
- Left hand multifunction oven with 9 cooking settings
- Right hand conventional oven with 5 functions including rotisserie
- Dual ring wok burner with individual ring control
- Programmable timers in both ovens
- Fascia cooling fan keeps controls cool
- Quick start rapid heat up
- One-handed ignition control
- Flame failure devices
- Individual cast iron pan supports
- Unique high efficiency solid brass burners
- Catalytic “stay-clean” liners to roof, rear and sides of both ovens
- Rounded hob top corners
- Pull down oven doors with removable glass for easy cleaning
- Full width storage drawer with soft close
- Triple-glazed, cool to touch doors
- Solid metal feet
- Child safety lock
- 2 wire shelves, grill pan and trivet in the left oven
- 1 wire shelf, grill pan and trivet in the right oven

Accessories

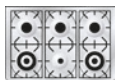
- Telescopic sliding oven shelves
- Stainless steel back panel and warming shelf
- Cast-iron griddles

Hoods



Majestic
AM100

Hob configurations



6 Burner



Fry Top



6 Zone Induction



Coup de Feu



Barbecue



2 Zone Induction



Electric Fryer

MD100	E3 CODE	Max Load W	Gas CODE	Max Load W
6 Burner	MD1006DE3	4550	MD1006DVG	3640
Fry Top	MD100FDE3	4550	MD100FDVG	3640
6 Zone Induction	MD100DE3	15650		
Coup de Feu	MD100SDE3	4550	MD100SDVG	3640
Barbecue	MD100BDE3	7200	MD100BDVG	6290
2 Zone Induction	MD100IDE3	8250		
Electric Fryer	MD100RDE3	6850		

	Width mm	Height mm	Depth mm	Oven Litres
Cooker Dimensions	1000	920	700	
Left Oven Internal Dimensions	440	350	450	53.4
Right Oven Internal Dimensions	260	350	450	30.8



Majestic Milano 90cm Single

M90



Colours

Stainless Steel

Matt Black

White

Cream

Burgundy

Blue

Green

Trim

Chrome

Brass

Antique Bronze



Colour matching



E3 temperature control

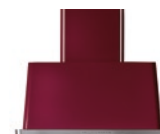
Features

- E3 digital temperature controls in both ovens
- Temperature range from 30°C to 300°C
- Oven temperature probe (E3 only)
- Multifunction oven with 9 cooking settings
- Dual ring wok burner with individual ring control
- Programmable timers in both ovens
- Fascia cooling fan keeps controls cool
- Quick start rapid heat up
- One-handed ignition control
- Flame failure devices
- Individual cast iron pan supports
- Unique high efficiency solid brass burners
- Catalytic "stay-clean" liners to roof, rear and sides of oven
- Rounded hob top corners
- Pull down oven door with removable glass for easy cleaning
- Full width storage drawer with soft close
- Triple-glazed, cool to touch door
- Solid metal feet
- Child safety lock
- Full width rotisserie
- 2 wire shelves, grill pan and trivet in the oven

Accessories

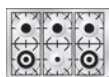
- Telescopic sliding oven shelves
- Stainless steel back panel and warming shelf
- Cast-iron griddles

Hoods



Majestic
AM90

Hob configurations



6 Burner



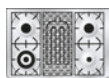
5 Burner



Fry Top



5 Zone Induction



Barbecue



2 Zone Induction



Electric Fryer

M90	E3 CODE	Max Load W	Gas CODE	Max Load W
6 Burner	M906DE3	2900	M906DVG	2300
5 Burner	M90DE3	2900	M90DVG	2300
Fry Top	M90FDE3	2900	M90FDVG	2300
5 Zone Induction	MI90DE3	12700		
Barbecue	M90BDE3	5550	M90BDVG	4950
2 Zone Induction	M90IDE3	6600		
Electric Fryer	M90RDE3	5200		

	Width mm	Height mm	Depth mm	Oven Litres
Cooker Dimensions	911	920	700	
Main Oven Internal Dimensions	650	350	450	78.6

Majestic Milano 76cm Single



M76



Colours

- Stainless Steel
- Matt Black
- White
- Cream
- Burgundy
- Blue
- Green

Trim

- Chrome
- Brass
- Antique Bronze



Colour matching



E3 temperature control

Features

- E3 digital temperature controls in both ovens
- Temperature range from 30°C to 300°C
- Oven temperature probe (E3 only)
- Multifunction oven with 9 cooking settings
- Dual ring wok burner with individual ring control
- Programmable timers in both ovens
- Fascia cooling fan keeps controls cool
- Quick start rapid heat up
- One-handed ignition control
- Flame failure devices
- Individual cast iron pan supports
- Unique high efficiency solid brass burners
- Catalytic “stay-clean” liners to roof, rear and sides of oven
- Rounded hob top corners
- Pull down oven door with removable glass for easy cleaning
- Full width storage drawer with soft close
- Triple-glazed, cool to touch door
- Solid metal feet
- Child safety lock
- Full width rotisserie
- 2 wire shelves, grill pan and trivet in the oven

Accessories

- Telescopic sliding oven shelves
- Stainless steel back panel and warming shelf

Hoods



Majestic
AM76

Hob configurations



5 Burner

M76	E3 CODE	Max Load W	Gas CODE	Max Load W
5 Burner	M76DE3	2900	M76DVG	2300

	Width mm	Height mm	Depth mm	Oven Litres
Cooker Dimensions	760	920	700	
Main Oven Internal Dimensions	540	350	450	67.3



Majestic Milano 70cm Single

M70



Colours

Stainless Steel

Matt Black

White

Cream

Burgundy

Blue

Green

Trim

Chrome

Brass

Antique Bronze



Colour matching



E3 temperature control

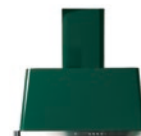
Features

- E3 digital temperature controls in both ovens
- Temperature range from 30°C to 300°C
- Oven temperature probe (E3 only)
- Multifunction oven with 9 cooking settings
- Dual ring wok burner with individual ring control
- Programmable timers in both ovens
- Fascia cooling fan keeps controls cool
- Quick start rapid heat up
- One-handed ignition control
- Flame failure devices
- Individual cast iron pan supports
- Unique high efficiency solid brass burners
- Catalytic "stay-clean" liners to roof, rear and sides of oven
- Rounded hob top corners
- Pull down oven door with removable glass for easy cleaning
- Full width storage drawer with soft close
- Triple-glazed, cool to touch door
- Solid metal feet
- Child safety lock
- 2 wire shelves, grill pan and trivet in the oven

Accessories

- Telescopic sliding oven shelves
- Stainless steel back panel and warming shelf
- Cast-iron griddles

Hoods



Majestic
AM70

Hob configurations



4 Burner

M70	E3 CODE	Max Load W	Gas CODE	Max Load W
4 Burner	M70DE3	2650	M70DVG	1740

	Width mm	Height mm	Depth mm	Oven Litres
Cooker Dimensions	700	920	700	
Main Oven Internal Dimensions	440	350	450	53.4



Moderna Collection

The Moderna Collection is a range of stylish, contemporary cookers offering exceptional value for money. Available in Stainless Steel or Matt Black and in 90cm or 100cm, the Moderna comes with a choice of 6 gas burners or 4 burners and the very popular Fry Top hob options. All Moderna cookers are A rated for efficiency.



Moderna 100cm Twin

PD100



Colours

Stainless Steel

Matt Black

Trim

Stainless Steel

Features

- Programmable timer in the main oven
- Fascia cooling fan keeps controls cool
- Quick start rapid heat up
- One-handed ignition control
- Flame failure devices
- Individual cast iron pan supports
- Unique high efficiency solid brass burners
- Catalytic "stay-clean" liners on roof of both ovens
- Pull down oven doors with removable glass for easy cleaning
- Full width storage compartment
- Triple-glazed, cool to touch doors
- Height adjustable stainless steel feet
- Rotisserie in right hand oven
- 2 wire shelves, grill pan and trivet in the left oven
- 1 wire shelf, grill pan and trivet in the right oven

Accessories

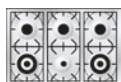
- Telescopic sliding oven shelves
- Stainless steel back panel
- Plinth kit
- Cast-iron griddles
- Catalytic self-clean liners

Hoods



Classic
AGK100

Hob configurations



6 Burner



Fry Top

PD100	MP CODE	Max Load W
6 Burner	PD1006MP	4550
Fry Top	PD100FMP	4550

	Width mm	Height mm	Depth mm	Oven Litres
Cooker Dimensions	1000	850 - 910	600	
Left Oven Internal Dimensions	440	350	450	53.4
Right Oven Internal Dimensions	360	350	450	43.7

Moderna 90cm Twin



PD90



Colours

Stainless Steel

Matt Black

Trim

Stainless Steel

Features

- Programmable timer in the main oven
- Fascia cooling fan keeps controls cool
- Quick start rapid heat up
- One-handed ignition control
- Flame failure devices
- Individual cast iron pan supports
- Unique high efficiency solid brass burners
- Catalytic "stay-clean" Liners on roof of both ovens
- Pull down oven doors with removable glass for easy cleaning
- Full width storage compartment
- Triple-glazed, cool to touch doors
- Height adjustable stainless steel feet
- Rotisserie in right hand oven
- 2 wire shelves, grill pan and trivet in the left oven
- 1 wire shelf, grill pan and trivet in the right oven

Accessories

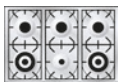
- Telescopic sliding oven shelves
- Stainless steel back panel
- Plinth kit
- Cast-iron griddles
- Catalytic self-clean liners

Hoods



Classic
AGK90

Hob configurations



6 Burner



Fry Top

PD90	E3 CODE	Max Load W
6 Burner	PD906MP	4350
Fry Top	PD90FMP	4350

	Width mm	Height mm	Depth mm	Oven Litres
Cooker Dimensions	900	850 - 910	600	
Left Oven Internal Dimensions	440	350	450	53.4
Right Oven Internal Dimensions	260	350	450	30.8



Moderna 90cm Single

P90



Colours

Stainless Steel

Matt Black

Trim

Stainless Steel

Features

- Programmable oven timer
- Fascia cooling fan keeps controls cool
- Quick start rapid heat up
- One-handed ignition control
- Flame failure devices
- Individual cast iron pan supports
- Unique high efficiency solid brass burners
- Catalytic "stay-clean" Liners on roof of both ovens
- Pull down oven door with removable glass for easy cleaning
- Full width storage compartment
- Triple-glazed, cool to touch door
- Height adjustable stainless steel feet
- Full width rotisserie
- 2 wire shelves, grill pan and trivet

Accessories

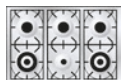
- Telescopic sliding oven shelves
- Stainless steel back panel
- Plinth kit
- Cast-iron griddles
- Catalytic self-clean liners

Hoods



Classic
AGK90

Hob configurations



6 Burner



Fry Top

P90	E3 CODE	Max Load W
6 Burner	P906MP	2900
Fry Top	P90FMP	2900

	Width mm	Height mm	Depth mm	Oven Litres
Cooker Dimensions	1216	870 - 930	700	
Left Oven Internal Dimensions	640	350	450	78.6
Right Oven Internal Dimensions	260	350	450	30.8



Ultimo Collection

The Ultimo Collection features all of the cooking functions of the premium collections but with traditional temperature controls. Available in Stainless Steel or Gloss Black and in 90cm or 100cm versions, the Ultimo features a powerful 6 burner hob. This cooker offers great value for money whilst still offering the very latest in cooking technology.



Ultimo 100cm XG

KT100



Colours

Stainless Steel

Gloss Black

Trim

Stainless Steel

Features

- Programmable timer in the main oven
- Fascia cooling fan keeps controls cool
- Quick start rapid heat up
- One-handed ignition control
- Flame failure devices
- Cast iron pan supports
- Unique high efficiency solid brass burners
- Pull down oven doors with removable glass for easy cleaning
- Double-glazed oven doors
- Rotisserie in right hand oven
- 2 wire shelves, grill pan and trivet in the left oven
- 1 wire shelf, grill pan and trivet in the right oven
- Separate Grill compartment with telescopic grill pan
- Plinth kit included

Accessories

- Telescopic sliding oven shelves
- Stainless steel back panel
- Catalytic self-clean Liners

Hoods



Classic
AGK100

Hob configurations



6 Burner

KT100	MP CODE	Max Load W
6 Burner	KT1006MP	7050

	Width mm	Height mm	Depth mm	Oven Litres
Left Oven Internal Dimensions	440	350	450	53.4
Right Oven Internal Dimensions	360	350	450	43.7
Extra Grill Internal Dimensions	440	150	450	20.2

Ultimo 100cm Twin



KD100



Colours

Stainless Steel

Gloss Black

Trim

Stainless Steel

Features

- Programmable timer in the main oven
- Fascia cooling fan keeps controls cool
- Quick start rapid heat up
- One-handed ignition control
- Flame failure devices
- Cast iron pan supports
- Unique high efficiency solid brass burners
- Pull down oven doors with removable glass for easy cleaning
- Double-glazed oven doors
- Height adjustable stainless steel feet
- Rotisserie in right hand oven
- 2 wire shelves, grill pan and trivet in the left oven
- 1 wire shelf, grill pan and trivet in the right oven

Accessories

- Telescopic sliding oven shelves
- Stainless steel back panel
- Catalytic self-clean liners
- Plinth kit

Hoods



Classic
AGK100

Hob configurations



6 Burner

KD100	E3 CODE	Max Load W
6 Burner	KD1006MP	4550

	Width mm	Height mm	Depth mm	Oven Litres
Cooker Dimensions	900	850 - 910	600	
Left Oven Internal Dimensions	440	350	450	53.4
Right Oven Internal Dimensions	260	350	450	30.8



Ultimo 90cm Twin

KD90



Colours

Stainless Steel

Gloss Black

Trim

Stainless Steel

Features

- Programmable timer in the main oven
- Fascia cooling fan keeps controls cool
- Quick start rapid heat up
- One-handed ignition control
- Flame failure devices
- Cast iron pan supports
- Unique high efficiency solid brass burners
- Pull down oven doors with removable glass for easy cleaning
- Double-glazed oven doors
- Height adjustable stainless steel feet
- Rotisserie in right hand oven
- 2 wire shelves, grill pan and trivet in the left oven
- 1 wire shelf, grill pan and trivet in the right oven

Accessories

- Telescopic sliding oven shelves
- Stainless steel back panel
- Catalytic self-clean liners
- Plinth kit

Hoods



Classic
AGK90

Hob configurations



6 Burner

KD90	E3 CODE	Max Load W
6 Burner	KD906MP	4350

	Width mm	Height mm	Depth mm	Oven Litres
Cooker Dimensions	900	850 - 910	600	
Left Oven Internal Dimensions	440	350	450	53.4
Right Oven Internal Dimensions	260	350	450	30.8

Built in ovens





60cm Slim Single Built-In Pyrolytic Oven

600SLPY



Features

- Self-cleaning pyrolytic function at 470°C
- 9 cooking functions
- E3 digital oven temperature control
- Touch control digital display with programmable timer
- Fascia cooling fan keeps controls cool
- Quick start rapid heat up
- Double speed cooling function
- Halogen oven light
- Quadruple-glazed, cool to touch oven door
- Child safety lock
- 2 wire shelves and grill pan
- 3500 W

Accessories

- Telescopic sliding oven shelves

Colours

Stainless Steel

Trim

Stainless Steel

	Width mm	Height mm	Depth mm	Oven Litres
Cooker Dimensions	596	596	550	
Main Oven Internal Dimensions	440	350	450	53.4



60cm Slim 645 Single Built-In Oven

645SLE3



Features

- E3 digital oven temperature control
- Temperature range from 30°C to 300°C
- 9 cooking functions
- Programmable oven timer
- Fascia cooling fan keeps controls cool
- Quick start rapid heat up
- Halogen oven light
- Triple-glazed, cool to touch oven door
- Child safety lock
- 1 wire shelf and grill pan
- 2900 W

	Width mm	Height mm	Depth mm	Oven Litres
Cooker Dimensions	596	455	550	
Main Oven Internal Dimensions	440	230	450	35.1

Colours

Stainless Steel

Trim

Stainless Steel

60cm Slim 645 Single Built-In Pizza Oven



645SLVE4



Features

- E3 digital oven temperature control
- Special pizza function - creates the perfect settings to cook fresh Italian style pizzas
- Temperature range from 30°C to 400°C
- Double speed cooling motor
- 9 cooking functions
- Programmable oven timer
- Fascia cooling fan keeps controls cool
- Quick start rapid heat up
- Halogen oven light
- Quadruple-glazed, cool to touch oven door
- Child safety lock
- Pizza cooking oven furniture with stainless steel pizza paddle
- 1 wire shelf and grill pan
- 2900 W

Colours

Stainless Steel

Trim

Stainless Steel

	Width mm	Height mm	Depth mm	Oven Litres
Cooker Dimensions	596	455	550	
Main Oven Internal Dimensions	440	230	450	35.1

60cm Slim 645 Built-In Steam Oven



645LTKST



Features

- Steam Oven
- 4 Cooking levels
- Digital display
- Dedicated steam generator
- Defrost function
- 1.2 litre tank
- Halogen oven light
- Pressurised ventilation
- Water shortage display
- Limescale cleaning cycle warning
- Child Safety Lock
- 2 stainless steel drip pans
- 1500 W

	Width mm	Height mm	Depth mm	Oven Litres
Cooker Dimensions	596	455	550	
Main Oven Internal Dimensions	440	230	450	35.1

Colours

Stainless Steel

Trim

Stainless Steel



60cm Slim 645 Built-In Combi-Microwave

645LTKCW



Features

- Combi microwave oven
- 6 levels of microwave cooking
- Digital display
- Net capacity 32 litres - gross 38 litres
- Collapsible 1500 W grill
- 1000 W microwave
- Automatic defrost by time or weight
- Pressurised ventilation
- 6 oven cooking functions
- 3 automatic cooking functions
- Child Safety Lock
- Glass drip pan and trivet
- Circular glass plate
- 1500 W

	Width mm	Height mm	Depth mm	Oven Litres
Cooker Dimensions	596	455	550	

Colours

Stainless Steel

Trim

Stainless Steel



60cm Warming Drawer

615SL-WD



Features

- Warming Drawer
- Telescopic drawer with anti-slide material
- Adjustable temperature between 40°C - 80°C
- On/off light
- 400 W
- Perfect for keeping plates and food warm

	Width mm	Height mm	Depth mm	Oven Litres
Cooker Dimensions	596	143	550	

Colours

Stainless Steel

Trim

Stainless Steel

60cm Roma Single Built-In Oven



600WE3



Features

- E3 digital oven temperature control
- Temperature range from 30°C to 300°C
- 9 cooking functions
- Programmable oven timer
- Fascia cooling fan keeps controls cool
- Quick start rapid heat up
- Halogen oven light
- Triple-glazed, cool to touch oven door
- Child safety lock
- 2 wire shelves and grill pan
- 3400 W

Accessories

- Telescopic sliding oven shelves

Colours

Stainless Steel

White

Trim

Stainless Steel

	Width mm	Height mm	Depth mm	Oven Litres
Cooker Dimensions	596	596	550	
Main Oven Internal Dimensions	440	350	450	53.4

60cm Milano Single Built-In Oven



600CE3



Features

- E3 digital oven temperature control
- Temperature range from 30°C to 300°C
- 9 cooking functions
- Programmable oven timer
- Fascia cooling fan keeps controls cool
- Quick start rapid heat up
- Halogen oven light
- Triple-glazed, cool to touch oven door
- Child safety lock
- 2 wire shelves and grill pan
- 3400 W

Accessories

- Telescopic sliding oven shelves

Colours

Stainless Steel

White

Burgundy

Green

Matt Black

Cream

Blue

Copper

Trim

Chrome

Antique Bronze

Brass

	Width mm	Height mm	Depth mm	Oven Litres
Cooker Dimensions	596	596	550	
Main Oven Internal Dimensions	440	350	450	53.4



60cm Roma Single Built-In Pyrolytic Oven

600WPY



Colours

Stainless Steel

Trim

Stainless Steel

Features

- Self-cleaning pyrolytic function at 470°C
- 9 cooking functions
- E3 digital oven temperature control
- Touch control digital display with programmable timer
- Fascia cooling fan keeps controls cool
- Quick start rapid heat up
- Double speed cooling function
- Halogen oven light
- Quadruple-glazed, cool to touch oven door
- Child safety lock
- 2 wire shelves and grill pan
- 3500 W

Accessories

- Telescopic sliding oven shelves

	Width mm	Height mm	Depth mm	Oven Litres
Cooker Dimensions	596	596	550	
Main Oven Internal Dimensions	440	350	450	53.4

70cm Roma Single Built-In Oven



700WE3



Colours

Stainless Steel

Trim

Stainless Steel

Features

- E3 digital oven temperature control
- Temperature range from 30°C to 300°C
- 9 cooking functions
- Programmable oven timer
- Fascia cooling fan keeps controls cool
- Quick start rapid heat up
- Halogen oven light
- Triple-glazed, cool to touch oven door
- Child safety lock
- 2 wire shelves and grill pan
- Rotisserie fitting
- 3400 W

Accessories

- Telescopic sliding oven shelves

	Width mm	Height mm	Depth mm	Oven Litres
Cooker Dimensions	697	596	550	
Main Oven Internal Dimensions	540	350	450	67.3



Features

- E3 digital oven temperature control
- Temperature range from 30°C to 300°C
- 9 cooking functions
- Programmable oven timer
- Fascia cooling fan keeps controls cool
- Quick start rapid heat up
- Halogen oven light
- Triple-glazed, cool to touch oven door
- Child safety lock
- 2 wire shelves and grill pan
- Rotisserie fitting
- 3400 W

Accessories

- Telescopic sliding oven shelves

Colours

Stainless Steel

Matt Black

White

Cream

Burgundy

Blue

Green

Copper

Trim

Chrome

Brass

Antique Bronze

	Width mm	Height mm	Depth mm	Oven Litres
Cooker Dimensions	697	596	550	
Main Oven Internal Dimensions	540	350	450	67.3



Features

- E3 digital oven temperature control
- Temperature range from 30°C to 300°C
- 9 cooking functions
- Programmable oven timer
- Fascia cooling fan keeps controls cool
- Quick start rapid heat up
- Halogen oven light
- Triple-glazed, cool to touch oven door
- Child safety lock
- 2 wire shelves and grill pan
- Rotisserie fitting
- 3400 W

Accessories

- Telescopic sliding oven shelves

Colours

Stainless Steel

Trim

Stainless Steel

	Width mm	Height mm	Depth mm	Oven Litres
Cooker Dimensions	769	596	550	
Main Oven Internal Dimensions	640	350	450	78.6

90cm Roma Single Built-In Oven

900WE3



Colours

Stainless Steel

White

Matt Black

Trim

Stainless Steel

Features

- E3 digital oven temperature control
- Temperature range from 30°C to 300°C
- 9 cooking functions
- Programmable oven timer
- Fascia cooling fan keeps controls cool
- Quick start rapid heat up
- Halogen oven light
- Triple-glazed, cool to touch oven door
- Child safety lock
- 2 wire shelves and grill pan
- Rotisserie fitting
- 3400 W

Accessories

- Telescopic sliding oven shelves

	Width mm	Height mm	Depth mm	Oven Litres
Cooker Dimensions	896	596	550	
Main Oven Internal Dimensions	640	350	450	78.6

90cm Milano Single Built-In Oven

900CE3



Colours

Stainless Steel

White

Burgundy

Green

Matt Black

Cream

Blue

Copper

Trim

Chrome

Antique Bronze

Brass

Features

- E3 digital oven temperature control
- Temperature range from 30°C to 300°C
- 9 cooking functions
- Programmable oven timer
- Fascia cooling fan keeps controls cool
- Quick start rapid heat up
- Halogen oven light
- Triple-glazed, cool to touch oven door
- Child safety lock
- 2 wire shelves and grill pan
- Rotisserie fitting
- 3400 W

Accessories

- Telescopic sliding oven shelves

	Width mm	Height mm	Depth mm	Oven Litres
Cooker Dimensions	896	596	550	
Main Oven Internal Dimensions	640	350	450	78.6



Features

- Touch control digital display
- E3 digital oven temperature control
- Temperature range from 30°C to 300°C
- 10 cooking functions
- Oven temperature probe
- Programmable oven timer
- Fascia cooling fan keeps controls cool
- Quick start rapid heat up
- Halogen oven light
- Triple-glazed, cool to touch oven door
- Child safety lock
- 2 wire shelves and grill pan
- Rotisserie
- A Rated
- 2900 W

Accessories

- Telescopic sliding oven shelves

Colours

Stainless Steel

Trim

Stainless Steel

	Width mm	Height mm	Depth mm	Oven Litres
Cooker Dimensions	896	596	550	
Main Oven Internal Dimensions	640	350	450	78.6



Features

- E3 digital oven temperature control
- Temperature range from 30°C to 300°C
- 9 cooking functions in the left hand oven
- 5 Cooking functions including rotisserie in the right hand oven
- Programmable oven timer
- Fascia cooling fan keeps controls cool
- Quick start rapid heat up
- Halogen oven light
- Triple-glazed, cool to touch oven doors
- Child safety lock
- 2 wires shelves and a grill pan in the left hand oven
- Rotisserie fitting, 1 wire shelf and grill pan in the right hand oven
- 5100 W

Accessories

- Telescopic sliding oven shelves

Colours

Stainless Steel

Trim

Stainless Steel

	Width mm	Height mm	Depth mm	Oven Litres
Cooker Dimensions	896	596	550	
Left Oven Internal Dimensions	440	350	450	53.4
Right Oven Internal Dimensions	260	350	450	30.8

90cm Milano Twin Built-In Oven



D900NE3



Features

- E3 digital oven temperature control
- Temperature range from 30°C to 300°C
- 9 cooking functions in the left hand oven
- 5 Cooking functions including rotisserie in the right hand oven
- Programmable traditional analogue style oven timer
- Fascia cooling fan keeps controls cool
- Quick start rapid heat up
- Halogen oven light
- Triple-glazed, cool to touch oven doors
- Child safety lock
- 2 wire shelves and grill pan the left hand oven
- Rotisserie fitting, 1 wire shelf and grill pan in the right hand oven
- 5100 W

Colours

Stainless Steel

Matt Black

White

Cream

Burgundy

Blue

Green

Copper

Trim

Chrome

Brass

Antique Bronze

Accessories

- Telescopic sliding oven shelves

	Width mm	Height mm	Depth mm	Oven Litres
Cooker Dimensions	896	596	550	
Left Oven Internal Dimensions	440	350	450	53.4
Right Oven Internal Dimensions	260	350	450	30.8

60cm Freestanding Multifunction Pizza Oven



A645LZE4



Features

- Freestanding with sealed stainless steel outer body
- E3 digital oven temperature control
- Special pizza function - creates the perfect settings to cook fresh Italian style pizzas
- Temperature range from 30°C to 400°C
- Double speed cooling motor
- 10 cooking functions
- Programmable oven timer
- Fascia cooling fan keeps controls cool
- Quick start rapid heat up
- Halogen oven light
- Quadruple-glazed, cool to touch oven door
- Child safety lock
- Pizza cooking oven furniture with stainless steel pizza paddle
- 1 wire shelf and grill pan
- 2900 W

Colours

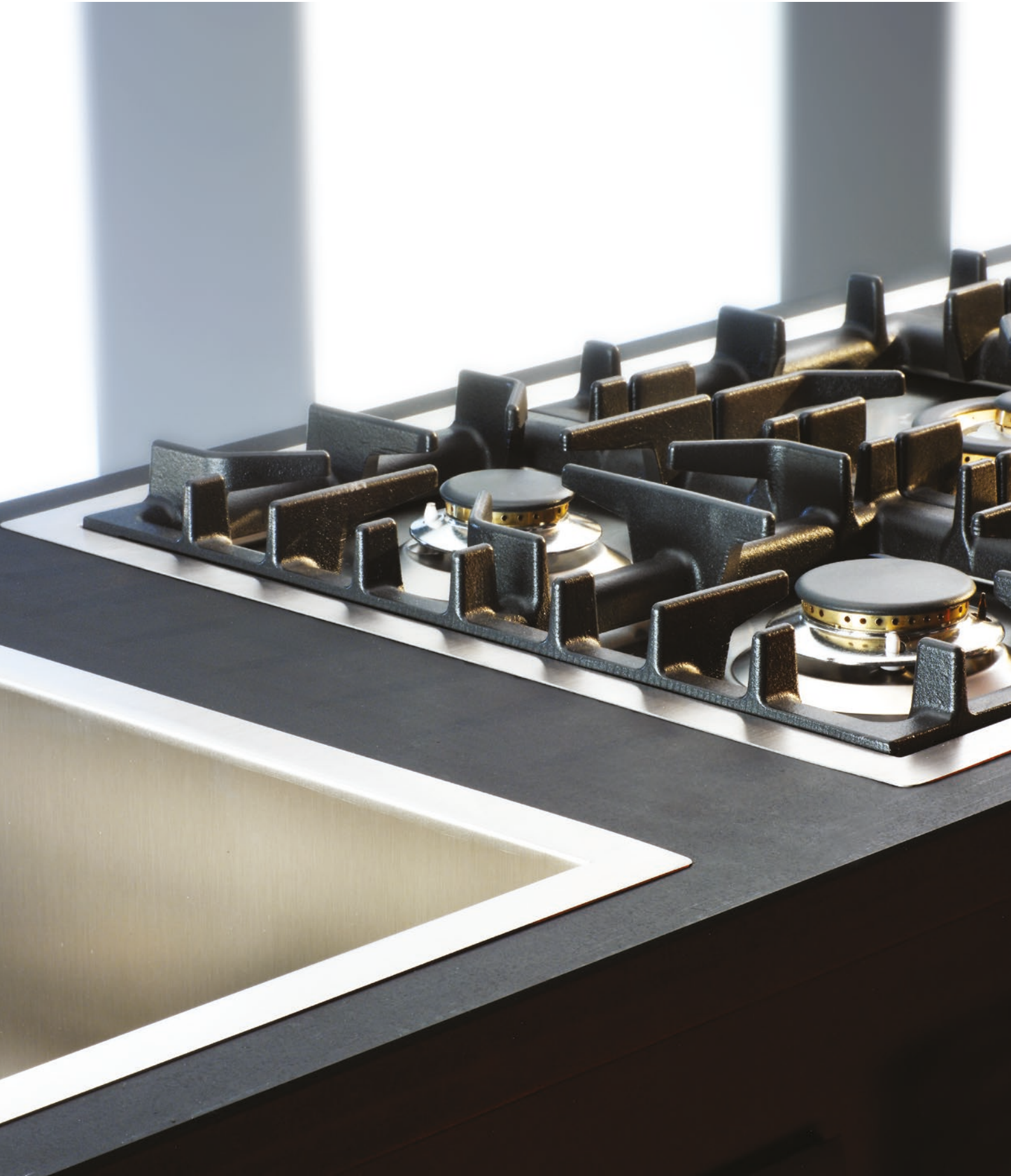
Stainless Steel

Trim

Stainless Steel

	Width mm	Height mm	Depth mm	Oven Litres
Cooker Dimensions	596	455	550	
Main Oven Internal Dimensions	440	230	450	35.1

Built in hobs





120cm Professional Gas Hob - 6 Burner Fry Top

HP1265FD



Features

- Robust, professional style build quality
- Sits on top of kitchen cabinetry
- Solid stainless steel Fry Top griddle
- Individual cast-iron pan supports
- Unique solid brass burners
- Metal controls
- Automatic one-handed ignition
- Flame failure devices
- LPG convertible

Accessories

- Cast-iron griddles

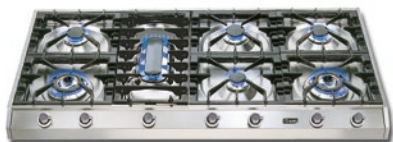
Burner specifications

- 1 × Dual Control Wok Burner - 0.37kW to 5kW
- 1 × Wok Burner - 4.3 kW
- 1 × Fish-kettle Burner - 3.1kW
- 3 × Medium Burners - 2.6kW
- 1 × Small Burner - 1.7kW



120cm Professional Gas Hob - 7 Burner Fish

HP12657D



Features

- Robust, professional style build quality
- Sits on top of kitchen cabinetry
- Individual cast-iron pan supports
- Unique solid brass burners
- Metal controls
- Automatic one-handed ignition
- Flame failure devices
- LPG convertible

Accessories

- Cast-iron griddles

Burner specifications

- 1 × Dual Control Wok Burner - 0.37kW to 5kW
- 1 × Wok Burner - 4.3 kW
- 1 × Fish-kettle Burner - 3.1kW
- 3 × Medium Burners - 2.6kW
- 1 × Small Burner - 1.7kW

90cm Professional Gas Hob - 4 Burner Fry Top

ILVE 

HP965FD



Features

- Robust, professional style build quality
- Sits on top of kitchen cabinetry
- Solid stainless steel Fry Top griddle
- Individual cast-iron pan supports
- Unique solid brass burners
- Metal controls
- Automatic one-handed ignition
- Flame failure devices
- LPG convertible

Accessories

- Cast-iron griddles

Burner specifications

- 1 × Dual Control Wok Burner - 0.37kW to 5kW
- 1 × Fish-kettle Burner - 3.1kW
- 2 × Medium Burners - 2.6kW
- 1 × Small Burner - 1.7kW

90cm Professional Gas Hob - 6 Burner

ILVE 

HP9656D



Features

- Robust, professional style build quality
- Sits on top of kitchen cabinetry
- Individual cast-iron pan supports
- Unique solid brass burners
- Metal controls
- Automatic one-handed ignition
- Flame failure devices
- LPG convertible

Accessories

- Cast-iron griddles

Burner specifications

- 1 × Dual Control Wok Burner- 0.37kW to 5kW
- 3 × Medium Burners - 2.6kW
- 2 × Small Burner - 1.7kW



90cm Roma Flush Gas Hob - 4 Burner Fry Top

XLPT90FD



Features

- Flush fitting design
- 8mm thick stainless steel Fry Top
- Individual cast-iron pan supports
- Unique solid brass burners
- Metal controls
- Automatic one-handed ignition
- Flame failure devices
- LPG convertible

Accessories

- Cast-iron griddles

Burner specifications

- 1 × Dual Control Wok Burner - 0.37kW to 5kW
- 1 × Fish-kettle Burner - 3.1kW
- 2 × Medium Burners - 2.6kW
- 1 × Small Burner - 1.7kW



120cm Roma Gas Hob - 4 Burner

HP1230D



Features

- Horizontal design
- Side-located controls
- Individual cast-iron pan supports
- Unique solid brass burners
- Metal controls
- Automatic one-handed ignition
- Flame failure devices
- LPG convertible

Accessories

- Cast-iron griddles

Burner specifications

- 1 × Dual Control Wok Burner - 0.37kW to 5kW
- 2 × Medium Burners - 2.6kW
- 1 × Small Burner - 1.7kW

Colours available

Stainless Steel

Controls

Stainless Steel

90cm Roma Gas Hob - 4 Burner Fry Top



HP95FD



Features

- 8mm thick stainless steel Fry Top
- Individual cast-iron pan supports
- Unique solid brass burners
- Metal controls
- Automatic one-handed ignition
- Flame failure devices
- LPG convertible

Accessories

- Cast-iron griddles

Burner specifications

- 1 × Dual Control Wok Burner - 0.37kW to 5kW
- 1 × Fish-kettle Burner - 3.1kW
- 2 × Medium Burners - 2.6kW
- 1 × Small Burner - 1.7kW

Colours available

Stainless Steel

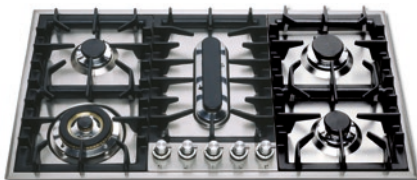
Controls

Stainless Steel

90cm Roma Gas Hob - 5 Burner Fish



HP95PD



Features

- Central fish-kettle burner
- Individual cast-iron pan supports
- Unique solid brass burners
- Metal controls
- Automatic one-handed ignition
- Flame failure devices
- LPG convertible

Accessories

- Cast-iron griddles
- Stainless steel Fry Top - G/419/06

Burner specifications

- 1 × Dual Control Wok Burner - 0.37kW to 5kW
- 1 × Fish-kettle Burner - 3.1kW
- 2 × Medium Burners - 2.6kW
- 1 × Small Burner - 1.7kW

Colours available

Stainless Steel

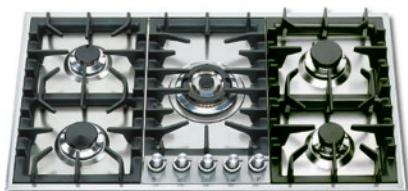
Controls

Stainless Steel



90cm Roma Gas Hob - 5 Burner Wok Fry Top

HP95D



Features

- Individual cast-iron pan supports
- Unique solid brass burners
- Metal controls
- Automatic one-handed ignition
- Flame failure devices
- LPG convertible

Accessories

- Cast-iron griddles

Burner specifications

- 1 × Dual Control Wok Burner - 0.37kW to 5kW
- 2 × Medium Burners - 2.6kW
- 2 × Small Burner - 1.7kW



70cm Roma Gas Hob - 5 Burner Wok

HP75D



Features

- Individual cast-iron pan supports
- Unique solid brass burners
- Metal controls
- Automatic one-handed ignition
- Flame failure devices
- LPG convertible

Accessories

- Cast-iron griddles

Burner specifications

- 1 × Dual Control Wok Burner - 0.37kW to 5kW
- 2 × Medium Burners - 2.6kW
- 2 × Small Burner - 1.7kW

Colours available

Stainless Steel

Controls

Stainless Steel

60cm Roma Gas Hob - 4 Burner



HP65D



Features

- Individual cast-iron pan supports
- Unique solid brass burners
- Metal controls
- Automatic one-handed ignition
- Flame failure devices
- LPG convertible

Accessories

- Cast-iron griddles

Burner specifications

- 1 × Dual Control Wok Burner - 0.37kW to 5kW
- 1 × Medium Burners - 2.6kW
- 2 × Small Burner - 1.7kW

Colours available

Stainless Steel

Controls

Stainless Steel

90cm Moderna Gas Hob - Fry Top



H90FCV



Features

- 8mm thick stainless steel Fry Top
- Cast-iron pan supports
- Unique solid brass burners
- Metal controls
- Automatic one-handed ignition
- Flame failure devices
- LPG convertible

Burner specifications

- 1 × Wok Burner - 4.3kW
- 1 × Fish-kettle Burner - 3.1kW
- 1 × Medium Burners - 2.6kW
- 2 × Small Burner - 1.7kW

Colours available

Stainless Steel

Controls

Stainless Steel



90cm Milano Gas Hob - Fry Top

H90FCV



Colours Available

Stainless Steel

Matt Black

White

Cream

Burgundy

Blue

Green

Copper

Controls

Chrome

Brass

Extra finishes

Antique Bronze

Features

- 8mm thick stainless steel Fry Top
- Cast-iron pan supports
- Unique solid brass burners
- Metal controls
- Automatic one-handed ignition
- Flame failure devices
- LPG convertible

Burner specifications

- 1 × Wok Burner - 4.3kW
- 1 × Fish-kettle Burner - 3.1kW
- 1 × Medium Burners - 2.6kW
- 2 × Small Burner - 1.7kW



90cm Moderna Gas Hob - 6 Burner

H906CV



Colours available

Stainless Steel

Controls

Stainless Steel

Features

- Cast-iron pan supports
- Unique solid brass burners
- Metal controls
- Automatic one-handed ignition
- Flame failure devices
- LPG convertible

Burner specifications

- 1 × Wok Burner - 4.3kW
- 2 × Medium Burners - 2.6kW
- 3 × Small Burner - 1.7kW

90cm Milano Gas Hob - 6 Burner



H906CNV



Features

- Cast-iron pan supports
- Unique solid brass burners
- Metal controls
- Automatic one-handed ignition
- Flame failure devices
- LPG convertible

Burner specifications

- 1x Wok Burner - 4.3kW
- 2x Medium Burners - 2.6kW
- 3x Small Burner - 1.7kW

Colours Available

Stainless Steel

Matt Black

White

Cream

Burgundy

Blue

Green

Copper

Controls

Chrome

Brass

Extra finishes

Antique Bronze

70cm Moderna Gas Hob - 5 Burner



H70CV



Features

- Cast-iron pan supports
- Unique solid brass burners
- Metal controls
- Automatic one-handed ignition
- Flame failure devices
- LPG convertible

Burner specifications

- 1x Wok Burner - 4.3kW
- 2x Medium Burners - 2.6kW
- 2x Small Burner - 1.7kW

Colours available

Stainless Steel

Controls

Stainless Steel



70cm Milano Gas Hob - 5 Burner

H70CNV



Features

- Cast-iron pan supports
- Unique solid brass burners
- Metal controls
- Automatic one-handed ignition
- Flame failure devices
- LPG convertible

Accessories

- Cast-iron griddles

Burner specifications

- 1 × Wok Burner - 4.3kW
- 2 × Medium Burners - 2.6kW
- 2 × Small Burner - 1.7kW

Colours Available

Stainless Steel

Matt Black

White

Cream

Burgundy

Blue

Green

Copper

Controls

Chrome

Brass

Extra finishes

Antique Bronze



60cm Moderna Gas Hob - 4 Burner

H60CV



Features

- Cast-iron pan supports
- Unique solid brass burners
- Metal controls
- Automatic one-handed ignition
- Flame failure devices
- LPG convertible

Burner specifications

- 1 × Wok Burner - 4.3kW
- 1 × Medium Burners - 2.6kW
- 2 × Small Burner - 1.7kW

Colours available

Stainless Steel

Controls

Stainless Steel

60cm Milano Gas Hob - 4 Burner



H60CV



Features

- Cast-iron pan supports
- Unique solid brass burners
- Metal controls
- Automatic one-handed ignition
- Flame failure devices
- LPG convertible

Burner specifications

- 1 × Wok Burner - 4.3kW
- 1 × Medium Burners - 2.6kW
- 2 × Small Burner - 1.7kW

Colours Available

Stainless Steel

Matt Black

White

Cream

Burgundy

Blue

Green

Copper

Controls

Chrome

Brass

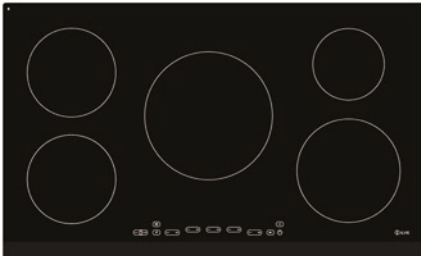
Extra finishes

Antique Bronze

90cm 5 Zone Induction Hob



KHV190TC



Features

- Induction ceramic hob
- Touch control
- Boost function
- Pan detection
- Child safety lock
- Liquid overflow protection
- Timer with automatic stop
- Overheat protection
- Residual Heat indicator
- Pause function
- Keep-warm function
- Bridge function

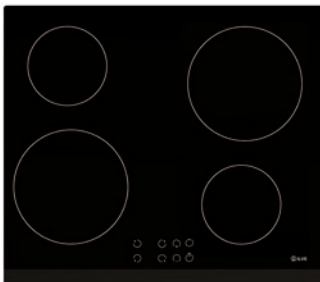
Induction Zone Specifications

- 1 Zone Ø 260mm 2.6kW (3.7kW Boost)
- 1 Zone Ø 145mm 1.4kW (2.2kW Boost)
- 2 Zones Ø 180mm 1.85kW (3kW Boost)
- 2 Octagonal Zones 2.1kW (3.7kW Boost)
- Max Power - 11.1kW

60cm 4 Zone Induction Hob



KHV160TC



Features

- Induction ceramic hob
- Touch control
- Boost function
- Pan detection
- Child safety lock
- Liquid overflow protection
- Timer with automatic stop
- Overheat protection
- Residual Heat indicator

Induction Zone Specifications

- 2 Zones Ø 210mm 1.5kW (2kW Boost)
- 2 Zones Ø 145mm 1.2kW (1.6kW Boost)
- Max Power - 7.2kW



Domino Gas Fry Top

H30PFV



Features

- 8mm thick stainless steel Fry Top griddle
- Flame failure device
- Robust solid brass burner
- Metal controls
- One handed, automatic ignition

Burner specifications

- 1 × Fish-kettle burner - 3.1kW



Domino Gas 2 Burners

H30V



Features

- Cast-iron pan supports
- Flame failure devices
- Robust solid brass burners
- Metal controls
- One handed, automatic ignition

Burner specifications

- 1 × Medium burner - 2.6kW
- 1 × Small burner - 1.7kW



Domino Gas Dual Burner Wok

H30DV



Features

- Dual control burner
- Cast-iron pan support
- Flame failure device
- Robust solid brass burner
- Metal controls
- One handed, automatic ignition

Burner specifications

- 1 × Dual Control Wok Burner - 0.37kW - 4.5kW



Domino Gas Fish Kettle

H30PV



Features

- Cast-iron pan support
- Flame failure device
- Robust solid brass burner
- Metal controls
- One handed, automatic ignition

Burner specifications

- 1 × Fish-kettle burner - 3.1kW

Domino Electric Griddle

ILVE 

H31



Features

- Cast iron electric griddle

Burner specifications

- 1 × 2.3kW electric plate

Domino Electric Barbecue

ILVE 

H30B



Features

- Low profile 3cm deep
- Volcanic rock
- Cast-iron ribs
- Removable fat drip tray
- 12 temperature settings

Burner specifications

- 1.91kW energy regulator

Domino Electric Fryer

ILVE 

H30F



Features

- 2-2.5 litre capacity
- Removable Stainless Steel oil container that can be stored in the refrigerator
- Thermostatically controlled
- 1Kg basket capacity
- Stainless Steel oil container lid

Burner specifications

- 2.3kW

Domino 2 Zone Induction

ILVE 

HVI32



Features

- Knob control
- Digital display
- Stainless Steel body

Burner specifications

- Two Induction Zones: Ø 180 -1400W

Hoods



Colours

Stainless Steel



Features

- Wall mounted
- 4 motor speeds
- Available in ducted or recirculating mode
- Adjustable and delayed self-switching off
- Halogen lights with adjustable intensity
- Warning light for filter maintenance
- To be installed at a minimum of 65cm from the hob
- To be installed with Ø150mm rigid plastic or aluminium flexible ducting (not supplied)
- 360 W – 220-240V – 50/60 Hz
- 1000 m3h – 470 Pa

Accessories

- Remote control (A/301/00)
- Charcoal filters to recirculate (G/076/09)
- Stainless steel back panel with ladle bracket

Specifications

Speed	Watts	Pressure	Air Capacity - m ³ h	Noise Level (db)
Speed 1	109	346.1	360	42
Speed 2	148	451.1	480	46
Speed 3	212	496.3	600	52
Speed 4	346	531.4	1000	66

Dimensions

Length (mm)	Chimney (mm)	CODE Code	Back panel (with Ladle Bracket)	800 mm Chimney Extension
600	330	AGQ60	AP4-60	A/017/26/08
700	330	AGQ70	AP4-70	A/017/26/08
800	330	AGQ80	AP4-80	A/017/26/08
900	330	AGQ90	AP4-90	A/017/26/08
1000	330	AGQ100	AP4-100	A/017/26/08
1100	400	AGQ110	AP4-110	A/017/27/08
1200	400	AGQ120	AP4-120	A/017/27/08
1500	400	AGQ150	AP4-150	A/017/27/08



Colours

- Stainless Steel
- Matt Black**
- White
- Cream
- Burgundy
- Blue
- Green

AG80 and AG110 only available in Stainless Steel

Features

- Wall mounted
- 4 motor speeds
- Available in ducted or recirculating mode
- Aluminium grease filters
- Adjustable and delayed self-switching off
- Halogen lights with adjustable intensity
- Warning light for filter maintenance
- To be installed at a minimum of 65cm from the hob
- To be installed with Ø150mm rigid plastic or aluminium flexible ducting (not supplied)
- 360 W – 220-240V – 50/60 Hz
- 1000 m3h – 470 Pa

Accessories

- Remote control (A/301/00)
- Charcoal filters to recirculate (G/076/09)
- Stainless steel back panel with ladle bracket

Specifications

Speed	Watts	Pressure	Air Capacity - m ³ h	Noise Level (db)
SPEED 1	109	346.1	360	42
SPEED 2	148	451.1	480	46
SPEED 3	212	496.3	600	52
SPEED 4	346	531.4	1000	66

Dimensions

Length (mm)	Chimney (mm)	CODE Code	Back panel (with Ladle Bracket)	800 mm Chimney Extension
600	250	AG60	AP4-60	A/017/23/colour
700	250	AG70	AP4-70	A/017/23/colour
800	250	AG80	AP4-80	A/017/23/colour
900	250	AG90	AP4-90	A/017/23/colour
1000	250	AG100	AP4-100	A/017/23/colour
1100	400	AG110	AP4-110	A/017/20/colour
1200	400	AG120	AP4-120	A/017/20/colour
1500	400	AG150	AP4-150	A/017/20/colour



Classic Hood

AGK



Colours

Stainless Steel

Features

- Wall mounted
- 4 motor speeds
- Available in ducted or recirculating mode
- Halogen Lights
- To be installed a minimum of 65cm from the hob
- To be installed with Ø150mm rigid plastic or aluminium flexible ducting (not supplied)
- 600 m³h –

Accessories

- Remote control (A/301/00)
- Charcoal filters to recirculate (G/076/09)
- Stainless steel back panel with ladle bracket

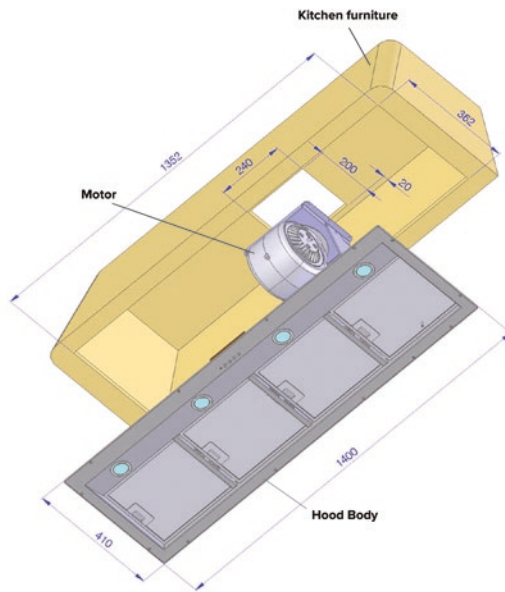
Specifications

Max Aspiration	650m ³ h
Max Noise Level	56 db
Air Outlet	150 mm
Lighting	2 x Halogen Lights

Speed	Watts	Air Capacity - m ³ h	Noise Level (db)
SPEED 1	122	261	42
SPEED 2	151	381	47
SPEED 3	187	510	52
SPEED 4	214	640	56

Dimensions

Model	Length (mm)
AGK90	900
AGK100	1000



Colours

Stainless Steel

Features

- Integrated
- 4 motor speeds
- Available in ducted or recirculating mode
- Adjustable and delayed self-switching off
- Halogen Lights with adjustable intensity
- Warning light for filter maintenance
- To be installed a minimum of 65cm from the hob
- To be installed with Ø150mm rigid plastic or aluminium flexible ducting (not supplied)
- 360 W – 220-240V – 50/60 Hz
- 1000 m3h – 470 Pa

Accessories

- Remote control (A/301/00)
- Charcoal filters to recirculate (G/076/09)

Specifications

Speed	Watts	Pressure	Air Capacity - m ³ h	Noise Level (db)
SPEED 1	109	346.1	360	42
SPEED 2	148	451.1	480	46
SPEED 3	212	496.3	600	52
SPEED 4	346	531.4	1000	66

Dimensions

Length (mm)	Depth (mm)	CODE Code
732	410	IAG90
1066	410	IAG120
1400	410	IAG150



Majestic Hood

AM



Colours

Stainless Steel

Matt Black

White

Cream

Burgundy

Blue

Green

Features

- Wall mounted
- 4 motor speeds
- 2 175W Infrared spotlights for warming food. (1 spotlight on AM70)
- Available in ducted or recirculating mode
- Aluminium grease filters
- Adjustable and delayed self-switching off
- Halogen lights with adjustable intensity
- Warning light for filter maintenance
- To be installed at a minimum of 65cm from the hob
- To be installed with Ø150mm rigid plastic or aluminium flexible ducting (not supplied)
- 360 W – 220-240V – 50/60 Hz
- 1000 m³h – 470 Pa

Accessories

- Remote control (A/301/00)
- Charcoal filters to recirculate (G/076/09)
- Stainless steel back panel with ladle bracket
- Plate support rack

Specifications

Speed	Watts	Pressure	Air Capacity - m ³ h	Noise Level (db)
SPEED 1	109	346.1	360	42
SPEED 2	148	451.1	480	46
SPEED 3	212	496.3	600	52
SPEED 4	346	531.4	1000	66

Dimensions

Length (mm)	Chimney (mm)	CODE Code	Back panel (with Ladle Bracket)	800 mm Chimney Extension
700	280	AM70	AM4-70	A/017/19/colour
760	280	AM76	AM4-76	A/017/19/colour
911	400	AM90	AM4-90	A/017/20/colour
1000	400	AM100	AM4-100	A/017/20/colour
1216	400	AM120	AM4-120	A/017/20/colour
1511	400	AM150	AM4-150	A/017/20/colour

Accessories





Telescopic Sliding Oven Trays



Even when fully extended, the telescopic sliding oven tray system is a safe and convenient addition to any oven. The telescopic runners fit neatly between existing oven tray positions, allowing a possible 5 oven shelves to be used at the same time.

Set of telescopic runners for ovens includes 3 x runners and 2x wire shelves.

CODES

CODE code	Oven width
KGS30C	30cm
KGS40C	40cm
KGS60C	60cm
KGS70C	70cm
KGS90C	80cm / 90cm



Plinth Kits

APZ Plinth Kits - 140mm high stainless steel plinth kit in matching colours to hide the feet of Roma, Milano, Moderna and Ultimo range cookers.

AMZ Plinth Kits - 150mm high stainless steel plinth kit to hide the feet of Majestic Roma range cookers.

Colours

Stainless Steel	Gloss Black
Matt Black	White
Cream	Burgundy
Blue	Green

APZ CODES

Cooker Width	140mm High Plinth Kit	Colours Available
P60	APZ60/140/COLOUR	Matching colours
P70	APZ70/140/COLOUR	Matching colours
P80	APZ80/140/I	Stainless Steel Only
P90, K90	APZ90/140/COLOUR	Matching colours
P100, K100	APZ100/140/COLOUR	Matching colours
P110	APZ110/140/I	Stainless steel only
P120	APZ120/140/COLOUR	Matching colours
P150	APZ150/140/COLOUR	Matching colours

AMZ CODES

Cooker Width	150mm High Plinth Kit	Colours Available
MT70	AMZ70/I	Stainless Steel Only
MT76	AMZ76/I	Stainless Steel Only
MT90	AMZ90/I	Stainless Steel Only
MT100	AMZ100/I	Stainless Steel Only
MT120	AMZ120/I	Stainless Steel Only
MT150	AMZ70/I	Stainless Steel Only



These solid cast-iron griddles are designed specifically by ILVE to fit on top of existing pan supports. Griddles are ideal for cooking foods that are usually grilled such as steaks, fish and kebabs.

The Flat Griddle is ideal for griddling drop scones, eggs and pancakes.

The Ribbed Griddle is ideally suited for searing meats such as sausages, chicken breasts and steaks.

CODE Code	Griddle	Hob Width	Fits Burners	Size (mm)
A/006/02	Ribbed Rectangle	150cm range cooker	4	280(d) x 340(w)
		100cm range cooker	4	
		120cm professional hob	4	
		100cm professional hob	4	
A/006/08	Flat Rectangle	150cm range cooker	4	280(d) x 340(w)
		100cm range cooker	4	
		120cm professional hob	4	
		100cm professional hob	4	
A/006/04	Ribbed Square	150cm range cooker	2	280(d) x 285(w)
		120cm range cooker	All	
		110cm range cooker	2	
		90cm range cooker	All	
		HP65 / HP95 hobs	2	
A/006/06	Flat Square	150cm range cooker	2	280(d) x 285(w)
		120cm range cooker	All	
		110cm range cooker	2	
		90cm range cooker	All	
		HP65 / HP95 hobs	2	

Hob accessories

CODE CODE	Product Name	Description
G/419/03	Barbecue Ribbed Grill Insert	For use with Fry Top models, the ribbed insert fits perfectly into the existing Fry Top area.
G/040/01	Cloche Fry Top Cover	The Stainless steel cloche style cover is designed for Teppanyaki style cooking on the Fry Top.
A/484/01	Solid Wood Chopping Board	The 30mm thick solid wood chopping board fits snugly into the Fry Top area.
G/002/01	Stainless Steel Bain Marie Basins	For use with Fry Top models, the bain marie kit requires the use of the Fish Burner pan supports. The kit includes 3 baskets with lids in one container to provide bain marie style heating.
G/002/01	Stainless Steel Steam Basins	For use with Fry Top models - the steam basin kit is composed of 2 containers with lids.
A/092/34	Wok Support	Cast-iron wok support to cradle traditional style woks.
G/419/08	Fry Top for 2 Zone Induction	Specialy designed stainless steel Fry Top to be used with range cookers with 2 central induction zones.



Stay clean oven liners

CODE CODE	Product Name	Description
G/170/18	Stay clean liner 30cm	Catalytic stay clean oven liners. The liners are activated at 200°C at which point any food or grease residues in the oven is burnt away so that it can be easily swept out of the oven. Suitable for built-in ovens and the Ultimo and Moderna range cookers.
G/170/24	Stay clean liner 40cm	
G/170/22	Stay clean liner 60cm	
G/170/23	Stay clean liner 90cm	



Oven accessories

CODE CODE	Product Name	Description
G/002/03	Steam Cooking Basin Set 60/70cm oven	Stainless steel basins with lids designed to enable steam cooking within the oven. Ideal for cooking fish and vegetables.
G/002/05	Steam Cooking Basin Set 80/90cm oven	



Back Panels



AP4 Back panel

Suitable for use with Roma, Milano, Moderna and Ultimo range cookers.

Cooker Width	Back panel CODE
P60	AP4-60
P70	AP4-70
P80	AP4-80
P90, K90	AP4-90
P100, K100	AP4-100
P110	AP4-110
P120	AP4-120
P150	AP4-150

AM4 Back panel

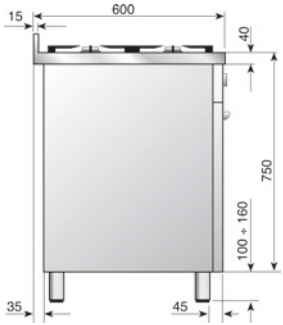
Suitable for use with Majestic range cookers.

Cooker Width	Back panel CODE
M70	AM4-70
M76	AM4-76
M90	AM4-90
M100	AM4-100
M120	AM4-120
M150	AM4-150
P120	AP4-120
P150	AP4-150

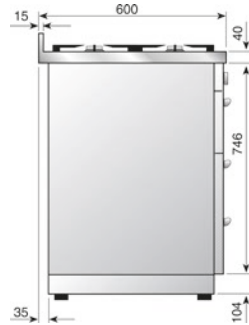


Plate Support Rack A/092/23

The support rack is designed to be used in conjunction with the Majestic cooker hood. The rack hangs from the ladle bracket and can keep food warm under the infrared spotlights.



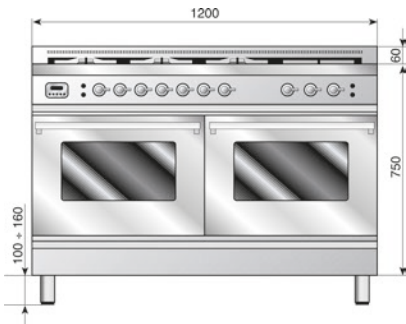
Side



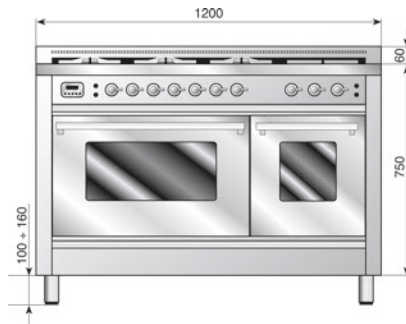
Side, XG models



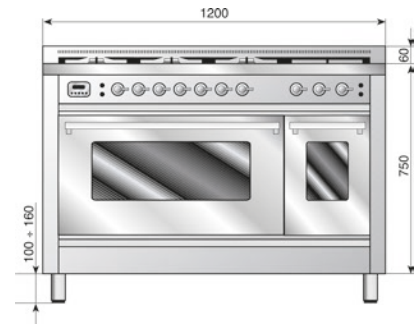
150cm
PW150 / PN150



120cm Twin 60/60
PDW120 / PDN120



120cm Twin 70/40
PSW120 / PSN120



120cm Twin 90/30
PW120 / PN120



110cm XG
PTW110 / PTN110 / PTQ110



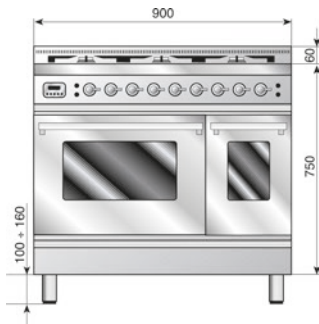
100cm
PDW100 / PDN100
PD100 / KD100



100cm XG
PTW100 / PTN100 / PTQ100
KT100

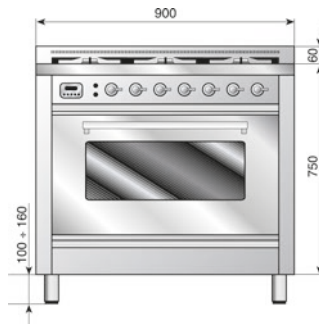


Roma, Milano, Moderna and Ultimo



90cm Twin

PDW90 / PDN90
PD90 / KD90



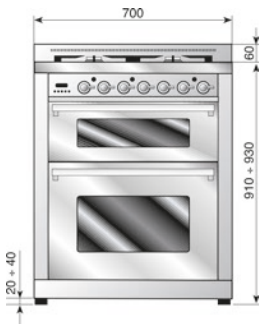
90cm

PW90 / PN90
P90



80cm

PW80 / PN80



70cm Twin

PDW70 / PDN70



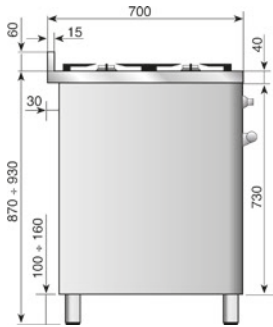
70cm

PW70 / PN70



60cm

PW60 / PN60



Side



150cm
MT150



90cm
MT90



120cm Twin 70/40
MTS120



120cm Twin 90/30
MT120



76cm
MT76



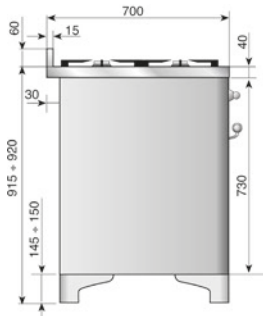
100cm
MTD100



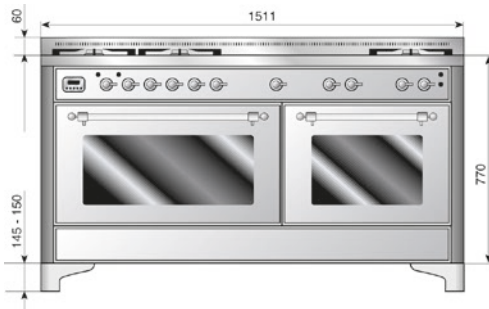
70cm
M70



Majestic Milano



Side



150cm
M150



90cm
M90



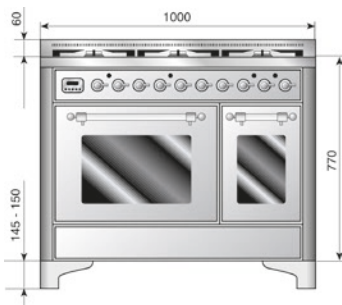
120cm Twin 70/40
MS120



120cm Twin 90/30
M120



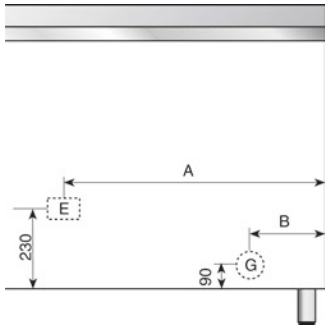
76cm
M76



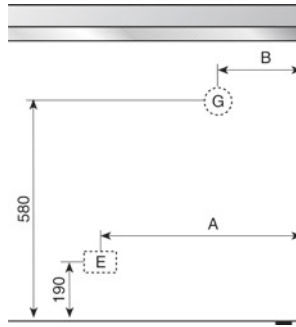
100cm
MD100



70cm
M70

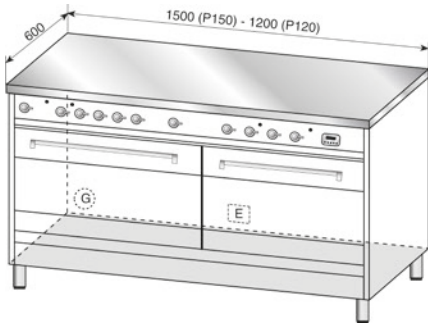


Rear

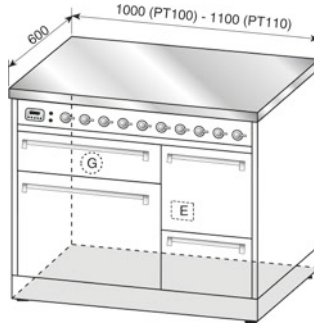


Rear, XG models

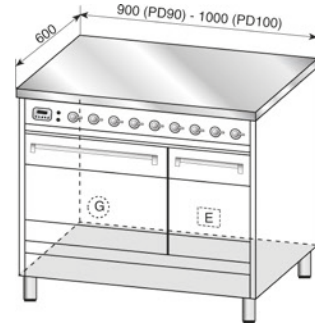
MODEL	A (mm)	B (mm)
P60 / PD120	480	160
P70	530	220
PD70	530	240
P80	680	200
P90 / P120 / P150	750	200
PD90 / PD100	480	200
PS120	590	250
PT100	480	190
PT110	530	250



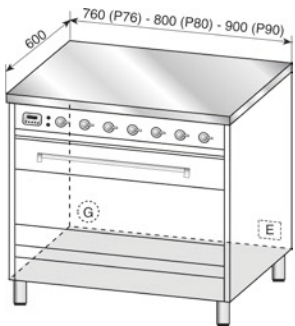
150cm / 120cm
P150 / P120



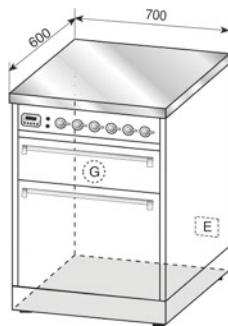
110cm XG / 100cm XG
PT110 / PT100



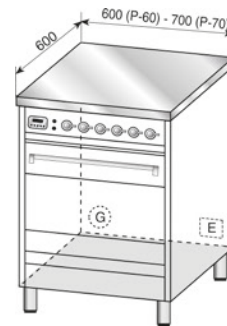
100cm / 90cm
PD100 / PD90



90cm / 80cm
P90 / P80



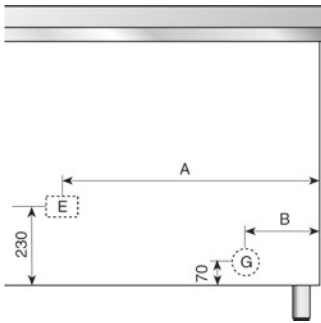
70cm XG
PD70



60cm / 70cm
P60 / P70

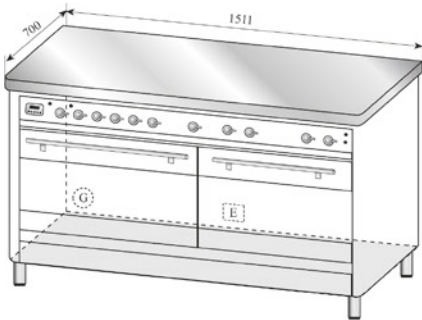


Gas and Electric — Majestic Roma and Majestic Milano

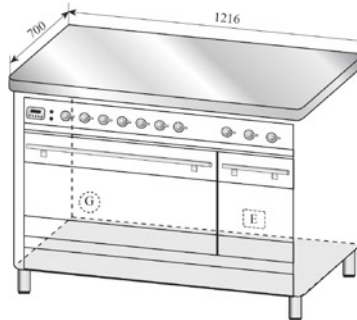


Rear

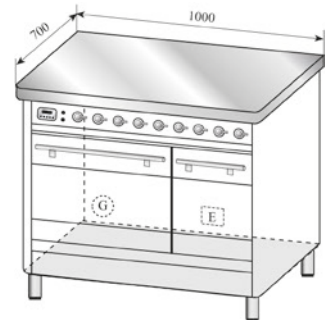
MODEL	A (mm)	B (mm)
M70 - MT70	520	200
M76 - MT76	520	200
M90 - MT90	750	200
MD100 - MTD100	460	230
M120 - MT120	700	290
MS120 - MTS120	675	230
M150 - MT150	730	220



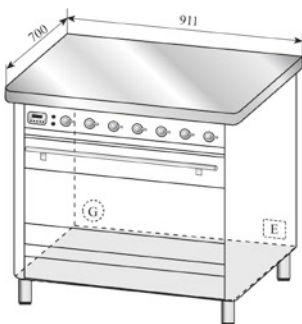
150cm
M150 / MT150



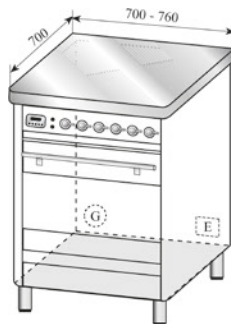
120cm
M120 / MT120 / MS120 / MTS120



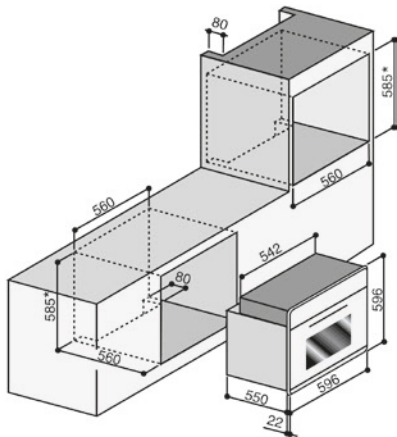
100cm
M100 / MT100



90cm
M90 / MT90

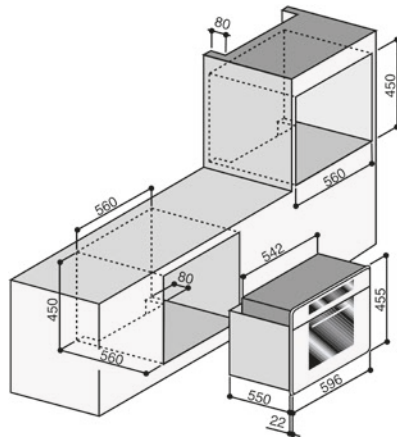


76cm / 70cm
M76 / MT76 / M70 / MT70



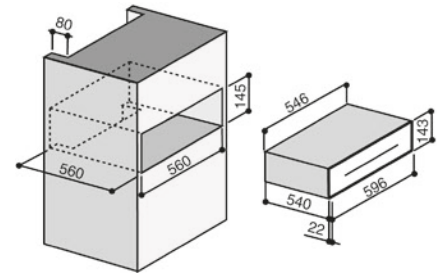
60cm Oven

600SLPY / 600WE3 / 600CE3 / 600WPY / 600SFTC (*600SFTC 590mm)



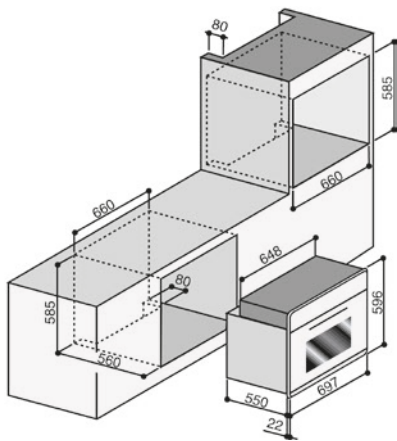
60cm 645 Slim Oven

645SLE3 / 645SLZV / 645LTKST / 645LTKCW



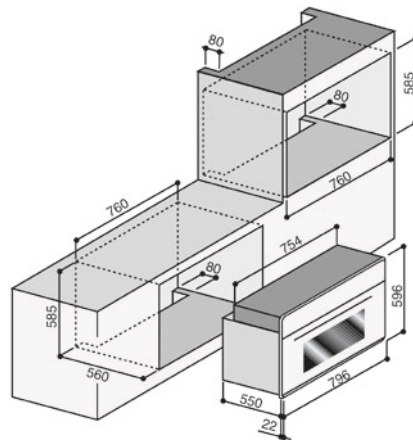
60cm Warming Drawer

615SL-WD



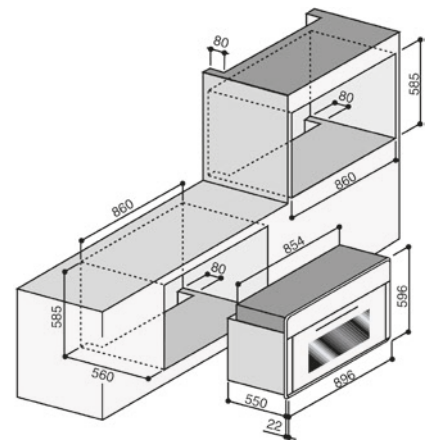
70cm Oven

700WE3 / 700CE3



80cm Oven

800WE3

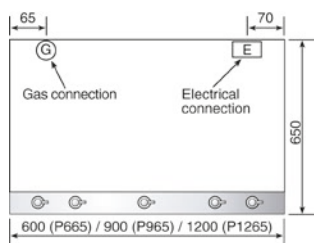


90cm Oven

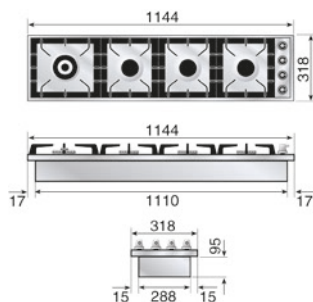
900WE3 / 900CE3 / 900TCE3 / D900WE3 / D900NE3



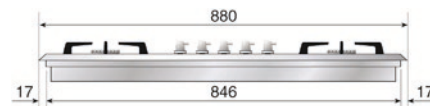
Built-In Hobs



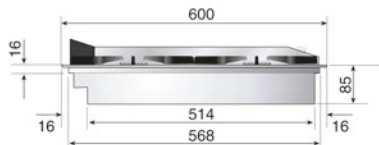
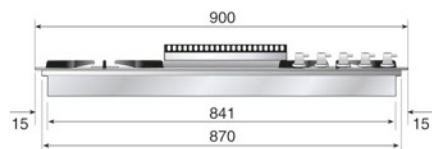
HP1265FD
HP12657D
HP965FD
HP9656D



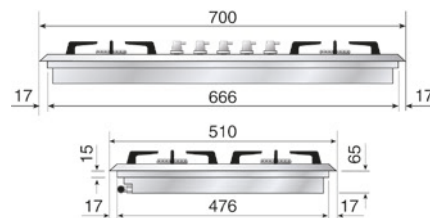
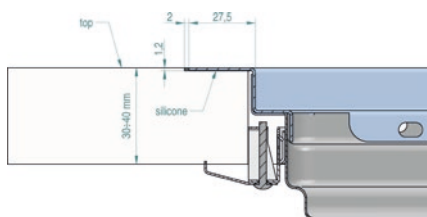
HP1230D
Cut out: 1115 x 295



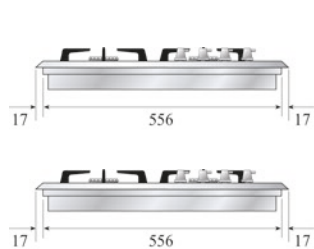
HP95FC
HP95PC
HP95C
Cut out: 860 x 490



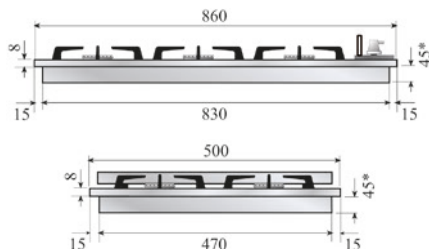
XLPT90FD/I
Cut out: 875 x 580



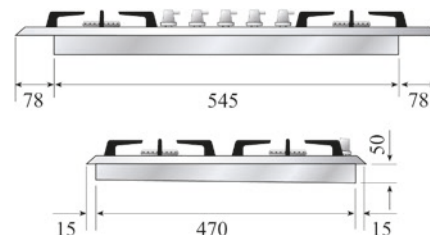
HP75C
Cut out: 672 x 475



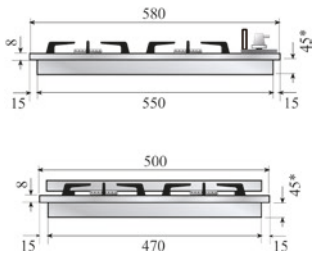
HP65C
Cut out: 570 x 490



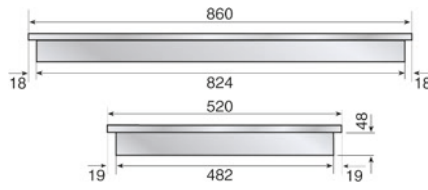
H90FCV
H90FCNV
H906CV
H906CNV
Cut out: 835 x 475



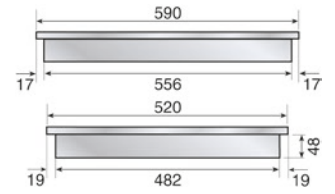
H70CV
H70CNV
Cut out: 555 x 475



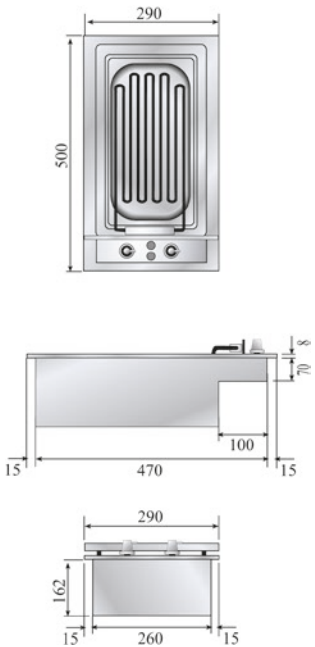
H60CV
H60CNV
Cut out: 555 x 475



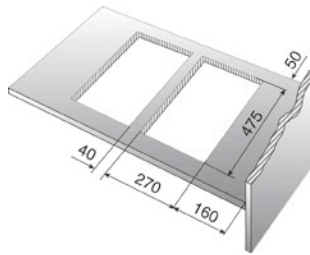
KHVI90TC
Cut out: 830 x 490



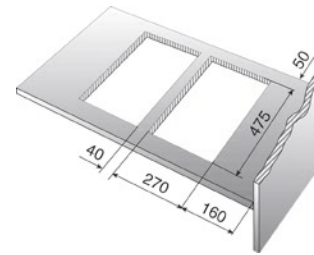
KHVI60TC
Cut out: 560 x 490



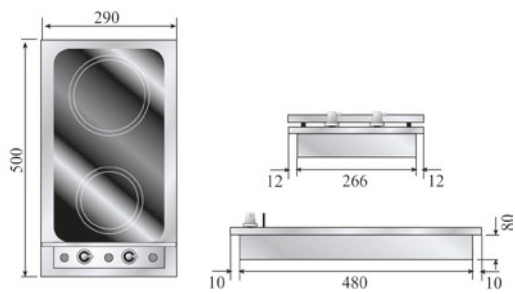
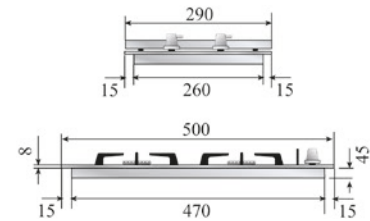
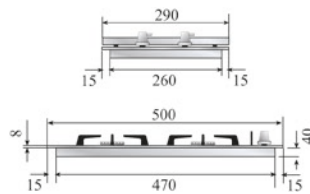
H30F
Cut out: 270 x 475



H30B
H31



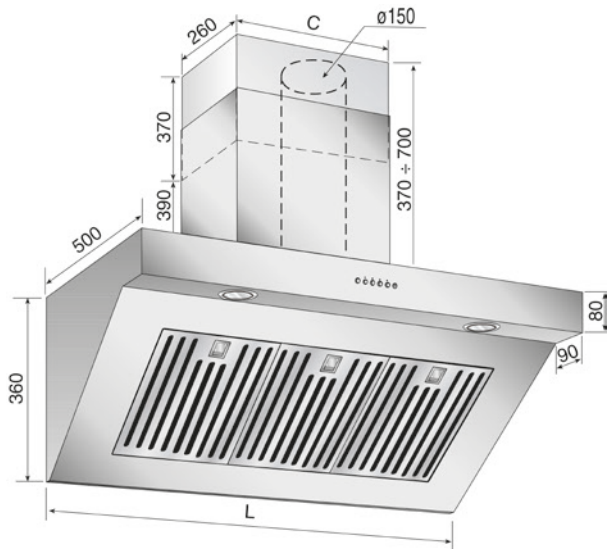
H30V
H30DV
H30PFV
H30PV



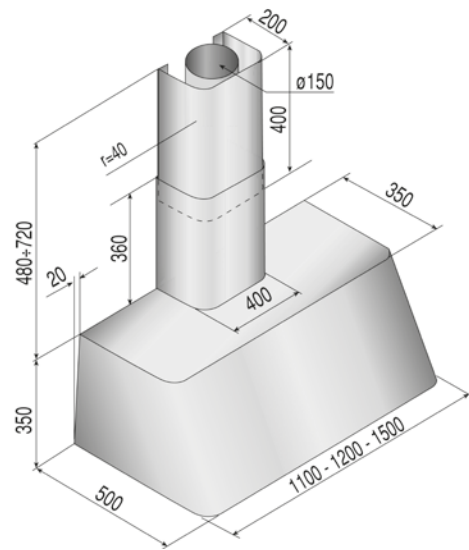
HVi32



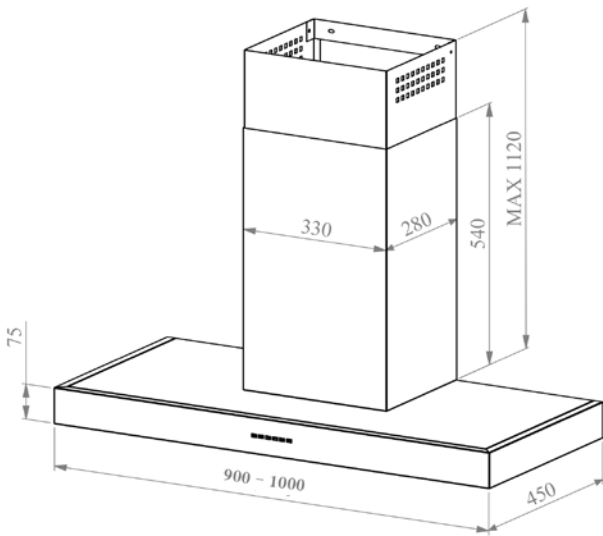
Hoods



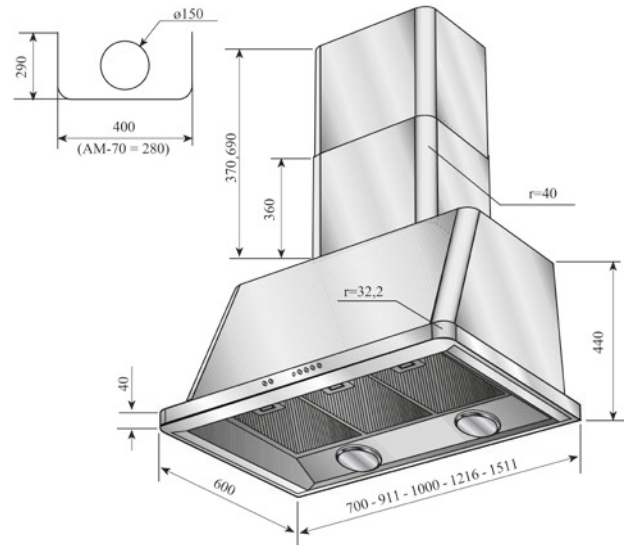
Modern
AGQ



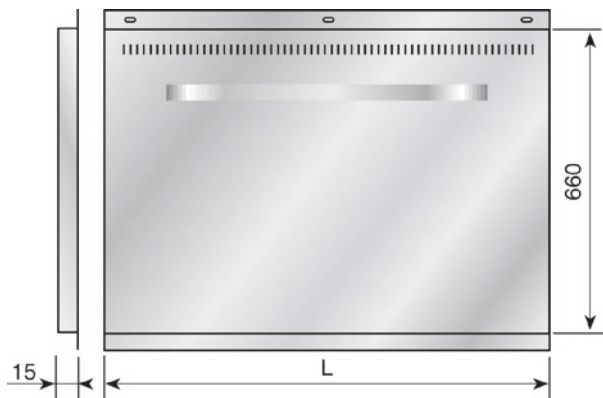
Traditional
AG



Classic
AGK



Majestic
AM



Back panel
AP4



Notes



kitchenEx™

ILVE appliances are exclusively supplied
in the UK by KitchenEx Limited.

0845 548 3130

office@kitchenex.co.uk

www.ilveappliances.co.uk