
MICROWAVE HOOD COMBINATION

Use & Care Guide

For assistance or service, call: **In the U.S.A., call 1-800-253-1301. In Canada, call 1-800-807-6777.**

or visit our brand website at

In the U.S.A, www.whirlpool.com/owners

In the Canada, www.whirlpool.ca/owners

ENSEMBLE FOUR À MICRO-ONDES/HOTTE

Guide d'utilisation et d'entretien

Pour assistance ou service composez le **Aux É.-U., composer le 1-800-253-1301. Au Canada, composer le 1-800-807-6777.**
ou visitez notre site web à

Aux É.-U, www.whirlpool.com/owners

Au Canada, www.whirlpool.ca/owners

Table of Contents/Table des matières2

Model/Modèle UMH50008

W11174206A

TABLE OF CONTENTS

MICROWAVE HOOD COMBINATION SAFETY	3
Electrical Requirements	5
PARTS AND FEATURES	5
Turntable	5
MICROWAVE OVEN CONTROL	6
Display	6
Start	6
Stop	6
Time Entry	6
Timer	6
Clock	6
Language/Weight Entry	6
Vent Fan	7
Cooktop Light	7
Tones	7
MICROWAVE OVEN USE	7
Food Characteristics	7
Cooking Guidelines	7
Cookware and Dinnerware	8
Aluminum Foil and Metal	8
Microwave Cooking Power	8
Defrost	9
Manual Cooking	9
MICROWAVE OVEN CARE	10
General Cleaning	10
Replacing Grease Filter	11
Replacing Charcoal Filter (for recirculation installation only)	11
Replacing Cooktop Light	11
TROUBLESHOOTING	12
ASSISTANCE OR SERVICE	13
Replacement Parts	13
WARRANTY	14

TABLE DES MATIÈRES

SÉCURITÉ DE L'ENSEMBLE FOUR À MICRO-ONDES/HOTTE	15
Spécifications électriques	17
PIÈCES ET CARACTÉRISTIQUES	17
Plateau rotatif	17
COMMANDE DU FOUR À MICRO-ONDES	18
Affichage	18
Mise en marche	18
Arrêt	18
Programmation de la durée	18
Minuterie	18
Horloge	18
Programmation de la langue/des unités de poids	19
Ventilateur	19
Éclairage de la table de cuisson	19
Signaux sonores	19
UTILISATION DU FOUR À MICRO-ONDES	19
Caractéristiques des aliments	19
Guide de cuisson	20
Ustensiles de cuisson et vaisselle	20
Papier d'aluminium et métal	20
Puissance de cuisson des micro-ondes	21
Décongélation	21
Cuisson manuelle	21
ENTRETIEN DU FOUR À MICRO-ONDES	22
Nettoyage général	22
Remplacement du filtre à graisse	23
Remplacement du filtre à charbon (pour une installation avec recyclage uniquement)	23
Remplacement de la lampe de la table de cuisson	23
DÉPANNAGE	24
ASSISTANCE OU SERVICE	25
Pièces de rechange	25
GARANTIE	26

MICROWAVE HOOD COMBINATION SAFETY

Your safety and the safety of others are very important.

We have provided many important safety messages in this manual and on your appliance. Always read and obey all safety messages.



This is the safety alert symbol.

This symbol alerts you to potential hazards that can kill or hurt you and others.

All safety messages will follow the safety alert symbol and either the word "DANGER" or "WARNING."

These words mean:

⚠ DANGER

You can be killed or seriously injured if you don't immediately follow instructions.

⚠ WARNING

You can be killed or seriously injured if you don't follow instructions.

All safety messages will tell you what the potential hazard is, tell you how to reduce the chance of injury, and tell you what can happen if the instructions are not followed.

IMPORTANT SAFETY INSTRUCTIONS

When using electrical appliances basic safety precautions should be followed, including the following:

WARNING: To reduce the risk of burns, electric shock, fire, injury to persons, or exposure to excessive microwave energy:

- Read all instructions before using the microwave oven.
- Read and follow the specific "PRECAUTIONS TO AVOID POSSIBLE EXPOSURE TO EXCESSIVE MICROWAVE ENERGY" found in this section.
- The microwave oven must be grounded. Connect only to properly grounded outlet. See "GROUNDING INSTRUCTIONS" found in this section and in the provided Installation Instructions.
- Install or locate the microwave oven only in accordance with the provided Installation Instructions.
- Some products such as whole eggs in the shell and sealed containers - for example, closed glass jars - are able to explode and should not be heated in the microwave oven.
- Use the microwave oven only for its intended use as described in the manual. Do not use corrosive chemicals or vapors in the microwave oven. This type of oven is specifically designed to heat, cook, or dry food. It is not designed for industrial or laboratory use.
- As with any appliance, close supervision is necessary when used by children.
- Do not operate the microwave oven if it has a damaged cord or plug, if it is not working properly, or if it has been damaged or dropped.
- The microwave oven should be serviced only by qualified service personnel. Call an authorized service company for examination, repair, or adjustment.
- Do not cover or block any openings on the microwave oven.
- Do not store this microwave oven outdoors. Do not use the microwave oven near water - for example, near a kitchen sink, in a wet basement, near a swimming pool, or similar locations.
- Do not immerse cord or plug in water.
- Keep cord away from heated surfaces.
- Do not let cord hang over edge of table or counter.
- See door surface cleaning instructions in the "Microwave Oven Care" section.
- To reduce the risk of fire in the oven cavity:
 - Do not overcook food. Carefully attend the microwave oven when paper, plastic, or other combustible materials are placed inside the oven to facilitate cooking.
 - Remove wire twist-ties from paper or plastic bags before placing bags in oven.
 - If materials inside the oven ignite, keep oven door closed, turn oven off, and disconnect the power cord, or shut off power at the fuse or circuit breaker panel.
 - Do not use the cavity for storage purposes. Do not leave paper products, cooking utensils, or food in the cavity when not in use.

SAVE THESE INSTRUCTIONS

IMPORTANT SAFETY INSTRUCTIONS

- Liquids, such as water, coffee, or tea are able to be overheated beyond the boiling point without appearing to be boiling. Visible bubbling or boiling when the container is removed from the microwave oven is not always present. **THIS COULD RESULT IN VERY HOT LIQUIDS SUDDENLY BOILING OVER WHEN THE CONTAINER IS DISTURBED OR A SPOON OR OTHER UTENSIL IS INSERTED INTO THE LIQUID.**

To reduce the risk of injury to persons:

- Do not overheat the liquid.
- Stir the liquid both before and halfway through heating it.
- Do not use straight-sided containers with narrow necks.
- After heating, allow the container to stand in the microwave oven for a short time before removing the container.
- Use extreme care when inserting a spoon or other utensil into the container.

- Do not mount over a sink.
- Do not store anything directly on top of the microwave oven when the microwave oven is in operation.
- Clean Ventilating Hoods Frequently - Grease should not be allowed to accumulate on hood or filter.
- When flambéing foods under the hood, turn the fan on.
- Suitable for use above both gas and electric cooking equipment.
- Intended to be used above ranges with maximum width of 24" (61.0 cm).
- Use care when cleaning the vent-hood filter. Corrosive cleaning agents, such as lye-based oven cleaners, may damage the filter.

SAVE THESE INSTRUCTIONS

PRECAUTIONS TO AVOID POSSIBLE EXPOSURE TO EXCESSIVE MICROWAVE ENERGY

- (a) Do not attempt to operate this oven with the door open since open-door operation can result in harmful exposure to microwave energy. It is important not to defeat or tamper with the safety interlocks.
- (b) Do not place any object between the oven front face and the door or allow soil or cleaner residue to accumulate on sealing surfaces.
- (c) Do not operate the oven if it is damaged. It is particularly important that the oven door close properly and that there is no damage to the:
 - (1) Door (bent),
 - (2) Hinges and latches (broken or loosened),
 - (3) Door seals and sealing surfaces.
- (d) The oven should not be adjusted or repaired by anyone except properly qualified service personnel.

State of California Proposition 65 Warnings:

WARNING: This product contains one or more chemicals known to the State of California to cause cancer.

WARNING: This product contains one or more chemicals known to the State of California to cause birth defects or other reproductive harm.

Electrical Requirements

⚠ WARNING



Electrical Shock Hazard

Plug into a grounded 3 prong outlet.

Do not remove ground prong.

Do not use an adapter.

Do not use an extension cord.

Failure to follow these instructions can result in death, fire, or electrical shock.

Observe all governing codes and ordinances.

Required:

- A 120 volt, 60 Hz, AC only, 15- or 20-amp electrical supply with a fuse or circuit breaker.

Recommended:

- A time-delay fuse or time-delay circuit breaker.
- A separate circuit serving only this microwave oven.

GROUNDING INSTRUCTIONS

■ For all cord connected appliances:

The microwave oven must be grounded. In the event of an electrical short circuit, grounding reduces the risk of electric shock by providing an escape wire for the electric current. The microwave oven is equipped with a cord having a grounding wire with a grounding plug. The plug must be plugged into an outlet that is properly installed and grounded.

WARNING: Improper use of the grounding plug can result in a risk of electric shock. Consult a qualified electrician or serviceman if the grounding instructions are not completely understood, or if doubt exists as to whether the microwave oven is properly grounded.

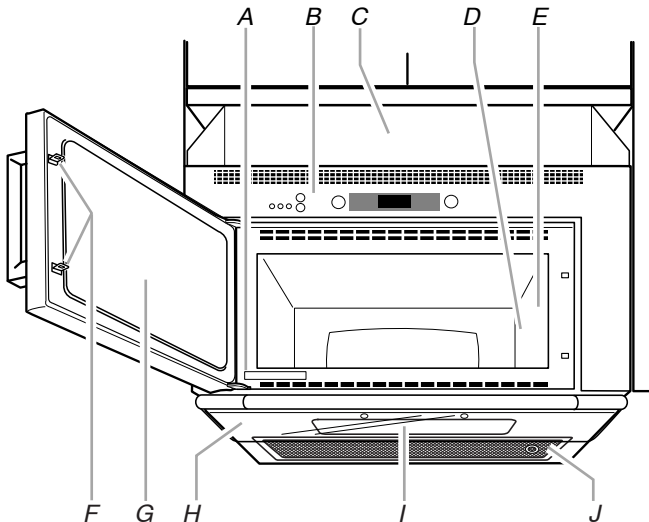
Do not use an extension cord. If the power supply cord is too short, have a qualified electrician or serviceman install an outlet near the microwave oven.

SAVE THESE INSTRUCTIONS

This device complies with Part 18 of FCC Rules. This device complies with Industry Canada ICES-001.

PARTS AND FEATURES

This manual may cover several different models. The model you have purchased may have some or all of the features shown here. The appearance of your particular model may differ slightly from the illustrations in this manual.

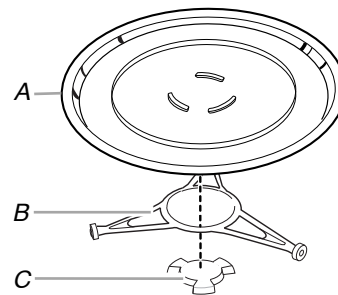


- A. Model and serial number plate
- B. Control panel
- C. Upper component housing
- D. Microwave inlet cover
- E. Microwave oven light
- F. Door lock system

- G. Window
- H. Visor
- I. Cooktop light
- J. Grease filter

Parts and Features not shown
Turntable

Turntable



- A. Turntable
- B. Support
- C. Hub

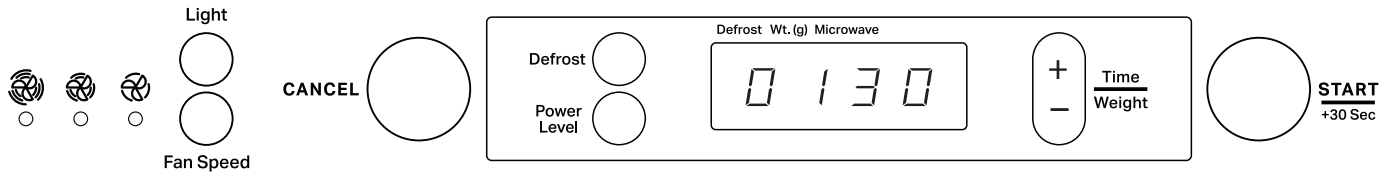
The turntable can rotate in either direction to help cook food more evenly. For best cooking results, do not operate the microwave oven without having the turntable in place. See "Assistance or Service" to reorder any of the parts.

To Install:

1. Place the support on the microwave oven cavity bottom.
2. Place the turntable on the support.

Fit the raised, curved lines in the center of the turntable bottom between the three spokes of the hub. The rollers on the support should fit inside the turntable bottom ridge.

MICROWAVE OVEN CONTROL



Display

When power is first supplied to the microwave oven, “:” will appear in the display. If the “:” appears in the display at any other time, the clock is not set, or there has been a power failure. Reset the clock if needed. See “Clock.”

When the microwave oven is in use, the display will show cook time remaining. When the microwave oven is not in use, the display will show the time of day (if the clock is set).

Start

The Start control begins any function. If cooking is interrupted by opening the door, pressing the Start control will resume the cycle, within 10 minutes of interruption.

The Start control also automatically starts the microwave oven at full power (750W) for 30 seconds, and adds 30 seconds of cook time with each additional touch of the control.

Time may be added to any manual cooking cycle in 30-second increments, at the current power level, by pressing the Start control during cooking.

NOTE: To avoid unintentional operation of the microwave oven, a cooking function cannot be started if the microwave oven door has been closed for about 1 minute. The word “door” will appear in the display until the door is opened and closed.

Stop

The Stop control clears any incorrect command, and cancels any program during cooking.

The microwave oven will also turn off when the door is opened. Close the door and press Start control to resume the cycle.

Time Entry

The +/- control is used to enter time for setting the clock and for programming cooking cycles. The following represents the control press time increments.

Each Press Adds	Up to
5 seconds	1 minute
15 seconds	3 minutes
30 seconds	6 minutes
1 minute	30 minutes

NOTE: Press and hold +/- control to jump to 10 minutes.

Timer

The microwave oven may be used as a kitchen timer by using zero power (0W).

To Set:

1. Press +/- controls to set desired time. Each press adds or removes 5 seconds from the current time.
2. Press Power Level control repeatedly until 0W appears in the display.
3. Press Start control.

When the set time ends, a tone will sound.

The time can be reset during the countdown by pressing the +/- control repeatedly.

Clock

This is a 12-hour clock.

NOTE: If there is a power failure, the clock will have to be reset.

To Set:

The microwave oven must be off (in standby mode).

1. Press and hold Stop control for about 3 seconds, until the left-hand digits in the display blink.
2. Press the +/- controls to set the hour.
3. Press Start control. The right-hand digits will blink.
4. Press the +/- controls to set the minutes.
5. Press Start control to complete the setting.

To Remove:

1. Press and hold Stop control for about 3 seconds, until the left-hand digits in the display blink.
2. Press Stop control. The time will disappear, and “:” will appear on the display.

Language/Weight Entry

The microwave oven display’s language and weight entry mode may be changed using Customer Settings.

The default language is English, but may be changed to French. The default weight entry mode is grams, but may be changed to ounces.

NOTE: If there is a power failure, the language and weight entry mode will return to the default settings.

To Change Settings:

1. Press and hold Defrost control for about 3 seconds, until "Cset" appears in the display.
2. Press the +/- control to select language, then press Start control.
3. Press the +/- control to select weight entry mode, then press Start control to complete the setting. Depending on the language setting, "Done" or "Fini" will appear in the display.

Vent Fan

The vent (exhaust) fan has 3 speeds: high, medium and low. The fan speed indicator lights show the current fan speed. If left on, the fan will automatically shut off after 4 hours.

Override Mode

To keep the microwave oven from overheating, the vent fan will automatically turn on at high speed if the temperature from the range or cooktop below the microwave oven gets too hot. It may stay on for several minutes to cool the microwave oven. When this occurs, the vent fan cannot be turned off and the fan speed cannot be changed until the temperature drops below a certain level.

NOTE: While the fan is in override mode, the fan speed indicator lights will not necessarily reflect the actual speed (high).

To Turn Vent Fan On/Off: Press Vent Fan control repeatedly to scroll through the speeds or to turn off.

Cooktop Light

To Turn Light On/Off: Press Light control repeatedly to toggle on and off.

Tones

Tones are audible signals that cannot be turned off, and they indicate the following:

Two tones

- Reminder, repeat every 30 seconds

Three tones

- End of cycle
-

MICROWAVE OVEN USE

A magnetron in the microwave oven produces microwaves which reflect off the metal floor, walls and ceiling and pass through the turntable and appropriate cookware to the food. Microwaves are attracted to and absorbed by fat, sugar and water molecules in the food, causing them to move, producing friction and heat which cooks the food.

- To avoid damage to the microwave oven, do not lean on or allow children to swing on the microwave oven door.
 - To avoid damage to the microwave oven, do not operate microwave oven when it is empty.
 - Baby bottles and baby food jars should not be heated in microwave oven.
 - Clothes, flowers, fruit, herbs, wood, gourds, paper, including brown paper bags and newspaper, should not be dried in microwave oven.
 - Paraffin wax will not melt in the microwave oven because it does not absorb microwaves.
 - Use oven mitts or pot holders when removing containers from microwave oven.
 - Do not overcook potatoes. At the end of the recommended cook time, potatoes should be slightly firm. Let potatoes stand for 5 minutes. They will finish cooking while standing.
 - Do not cook or reheat whole eggs inside the shell. Steam buildup in whole eggs may cause them to burst, requiring significant cleanup of microwave oven cavity. Cover poached eggs and allow a standing time.
-

Food Characteristics

When microwave cooking, the amount, size and shape, starting temperature, composition and density of the food affect cooking results.

Amount of Food

The more food heated at once, the longer the cook time needed. Check for doneness and add small increments of time if necessary.

Size and Shape

Smaller pieces of food will cook more quickly than larger pieces, and uniformly shaped foods cook more evenly than irregularly shaped food.

Starting Temperature

Room temperature foods will heat faster than refrigerated foods, and refrigerated foods will heat faster than frozen foods.

Composition and Density

Foods high in fat and sugar will reach a higher temperature, and will heat faster than other foods. Heavy, dense foods, such as meat and potatoes, require a longer cook time than the same size of a light, porous food, such as cake.

Cooking Guidelines

Covering

Covering food helps retain moisture, shorten cook time and reduce spattering. Use the lid supplied with cookware. If a lid is not available, wax paper, paper towels or plastic wrap approved for microwave ovens may be used. Plastic wrap should be turned back at one corner to provide an opening to vent steam. Condensation on the door and cavity surfaces is normal during heavy cooking.

Stirring and Turning

Stirring and turning redistribute heat evenly to avoid overcooking the outer edges of food. Stir from outside to center. If possible, turn food over from bottom to top.

Arranging

If heating irregularly shaped or different sized foods, arrange the thinner parts and smaller sized items toward the center. If cooking several items of the same size and shape, place them in a ring pattern, leaving the center of the ring empty.

Piercing

Before heating, use a fork or small knife to pierce or prick foods that have a skin or membrane, such as potatoes, egg yolks, chicken livers, hot dogs, and sausage. Prick in several places to allow steam to vent.

Shielding

Use small, flat pieces of aluminum foil to shield the thin pieces of irregularly shaped foods, bones and foods such as chicken wings, leg tips and fish tail. See "Aluminum Foil and Metal" first.

Standing Time

Food will continue to cook by the natural conduction of heat even after the microwave cooking cycle ends. The length of standing time depends on the volume and density of the food.

Cookware and Dinnerware

Cookware and dinnerware must fit on the turntable. Always use oven mitts or pot holders when handling because any dish may become hot from heat transferred from the food. Do not use cookware and dinnerware with gold or silver trim. Use the following chart as a guide, then test before using.

MATERIAL	RECOMMENDATIONS
Aluminum Foil, Metal	See "Aluminum Foil and Metal" section.
Browning Dish	Bottom must be at least 3/16" (5 mm) above the turntable. Follow manufacturer's recommendations.
Ceramic Glass, Glass	Acceptable for use.
China, Earthenware	Follow manufacturer's recommendations.
Melamine	Follow manufacturer's recommendations.
Paper: Towels, Dinnerware, Napkins	Use nonrecycled and those approved by the manufacturer for microwave oven use.
Plastic: Wraps, Bags, Covers, Dinnerware, Containers	Use those approved by the manufacturer for microwave oven use.
Pottery and Clay	Follow manufacturer's recommendations.
Silicone Bakeware	Follow manufacturer's recommendations.
Straw, Wicker, Wooden Containers	Do not use in microwave oven.
Wax Paper	Acceptable for use.

To Test Cookware or Dinnerware for Microwave Use:

1. Place 1 cup (250 mL) of water next to cookware or dinnerware in microwave oven.
2. Cook at 100% cooking power for 1 minute.

Do not use cookware or dinnerware if it becomes hot and the water stays cool.

Aluminum Foil and Metal

Always use oven mitts or pot holders when removing dishes from the microwave oven.

Aluminum foil and some metal can be used in the microwave oven. If not used properly, arcing (a blue flash of light) can occur and cause damage to the microwave oven.

OK for Use

Racks and bakeware supplied with the microwave oven (on some models), aluminum foil for shielding, and approved meat thermometers may be used with the following guidelines:

- To avoid damage to the microwave oven, do not allow aluminum foil or metal to touch the inside cavity walls, ceiling or floor.
- Always use the turntable.
- To avoid damage to the microwave oven, do not allow contact with another metal object during microwave cooking.

Do Not Use

Metal cookware and bakeware, gold, silver, pewter, non-approved meat thermometers, skewers, twist ties, foil liners such as sandwich wrappers, staples and objects with gold or silver trim or a metallic glaze should not be used in the microwave oven.

Microwave Cooking Power

Many recipes for microwave cooking specify which cooking power to use by percent or name. For example, 500W=Medium-High.

To see the exact power level during a cooking cycle, press Power Level control. The display will briefly show the current power level, then will return to the cooking countdown.

Use the following chart as a general guide for the suggested cooking power of specific foods.

WATTAGE/NAME	USE
750W, High (default setting)	Quick heating convenience foods and foods with high water content, such as soups, beverages and most vegetables. Cooking small, tender pieces of meat, ground meat, poultry pieces and fish fillets.
500W, Medium-High	Heating rice, pasta or stirrable casseroles. Heating cream soups. Cooking and heating foods that need a cook power lower than high. For example, whole fish and meat loaf. Reheating a single serving of food. Cooking sensitive foods such as cheese and egg dishes, pudding and custards. Cooking non-stirrable casseroles, such as lasagna.
350W, Medium	Cooking ham, whole poultry and pot roasts. Simmering stews. Melting chocolate, butter. Heating bread, rolls and pastries.
160W, Medium-Low, Defrost	Defrosting bread, fish, meats, poultry and precooked foods. Softening butter, cheese, and ice cream. Taking chill out of fruit.
0W, No power	For kitchen timer use only; magnetron does not turn on.

Defrost

The defrost feature can be used or the microwave oven can be manually set to defrost.

- Unwrap foods and remove lids (for example, from fruit juice containers) before defrosting.
- Shallow packages will defrost more quickly than deep blocks.
- Separate food pieces as soon as possible during or at the end of cycle for more even defrosting.
- Use small pieces of aluminum foil to shield parts of food such as chicken wings, leg tips and fish tails. See “Aluminum Foil and Metal” first.

The defrost feature is for meat, poultry and fish only, between 4 and 70oz (100and 2000g). It should not be used for food left outside the freezer more than 20 minutes and frozen ready-made food. Use the following chart as a guide.

MEAT

<i>Beef:</i> ground, steaks, roast, stew	The narrow or fatty areas of irregular shaped cuts should be shielded with foil before defrosting.
<i>Lamb:</i> stew and chops	
<i>Pork:</i> chops, ribs, roasts, sausage	Do not defrost less than 1/4 lb (113 g) or two 4 oz (113 g) patties. Place all meats in microwave-safe baking dish.

POULTRY

<i>Chicken:</i> whole and cut up	Place in microwave-safe baking dish, chicken breast side up.
<i>Cornish hens</i>	
<i>Turkey:</i> breast	

FISH

<i>Fillets, Steaks, Whole, Shellfish</i>	Place in microwave-safe baking dish.
--	--------------------------------------

To Use Defrost:

1. Unwrap food, place on the turntable, and close the door.
2. Press defrost control.
3. Press +/- controls repeatedly to enter the weight in ounces or grams, depending on the weight entry setting. See “Language/Weight Entry” section.
Weight can be set from 4 to 70 oz (100 to 2000 g).
4. Press Start control.
The display will count down the defrost time.
About midway through defrosting, the cycle will pause, and you will be prompted to turn the food. Open the door and stir or turn food. Close door, and press Start control to resume. If you do not wish to turn the food, the cycle will resume automatically after 2 minutes.
When the cycle ends, “End” will appear in the display.
5. Press Stop control or open the door to clear the display.

To Defrost Manually: Follow directions in “Manual Cooking” section, and use 160W cooking power. See “Microwave Cooking Power” chart.

Manual Cooking

To Use:

1. Place food on the turntable and close the door.
2. Press +/- control repeatedly to set the time. See “Time Entry” section for time entry increments.
If cooking with high power (750W), skip Step 3.
3. Press Power Level control repeatedly to select the desired power level. See “Microwave Cooking Power” chart.
4. Press Start control.

The display will count down the cook time.

When the cycle ends, “End” will appear in the display.

5. Press Stop control or open the door to clear the display.
The cook time and power may be changed after pressing Start control without interrupting cooking.

To Change Cook Time: Press Start control to add time in 30-second increments, or press the +/- controls to add or remove time in 5-second increments.

To Change Cook Power: Press Power Level control repeatedly to toggle through the power levels, resting on the desired new level.

NOTE: For best cooking results, use only small “snack size” commercially packaged microwave popcorn bags, due to the compact cavity size.

MICROWAVE OVEN CARE

General Cleaning

IMPORTANT: Before cleaning, make sure all controls are off and the microwave oven is cool. Always follow label instructions on cleaning products.

Soap, water and a soft cloth or sponge are suggested unless otherwise noted.

GREASE FILTER

Do not use ammonia or corrosive cleaning agents such as lye-based oven cleaners.

- Hot water and mild detergent:

Soak filters, then scrub and swish to remove embedded dirt and grease. Rinse well and shake to dry.

- Dishwasher:

Wash separately, not with dirty dishes, because food can be trapped in the filters.

NOTE: Some discoloration of the filters may occur after cleaning them in the dishwasher. This is normal, and will not affect the performance of the grease filters.

MICROWAVE OVEN CAVITY

To avoid damage to the microwave oven cavity, do not use soap-filled scouring pads, abrasive cleaners, steel-wool pads, gritty washcloths or some recycled paper towels.

To avoid damage to stainless steel models, rub in direction of grain.

The area where the microwave oven door and frame touch when closed should be kept clean.

Average soil

- Mild, nonabrasive soaps and detergents:

Rinse with clean water and dry with soft, lint-free cloth.

Heavy soil

- Mild, nonabrasive soaps and detergents:

Heat 1 cup (250 mL) of water for 2 to 5 minutes in microwave oven. Steam will soften soil. Rinse with clean water and dry with soft, lint-free cloth.

Odors

- Lemon juice or vinegar:

Heat 1 cup (250 mL) of water with 1 tbs (15 mL) of either lemon juice or vinegar for 2 to 5 minutes in microwave oven.

Microwave Inlet Cover

To avoid arcing and microwave oven damage, the microwave inlet cover (see "Parts and Features") should be kept clean.

- Wipe with wet cloth.

MICROWAVE OVEN DOOR AND EXTERIOR

The area where the microwave oven door and frame touch when closed should be kept clean.

- Mild, nonabrasive soaps and detergents:

Rinse with clean water and dry with soft, lint-free cloth.

- Glass cleaner and paper towels or nonabrasive plastic scrubbing pad:

Apply glass cleaner to towel, not directly to surface.

Stainless Steel (on some models)

To avoid damage to microwave oven door and exterior, do not use soap-filled scouring pads, abrasive cleaners, steel-wool pads, gritty washcloths or some paper towels. Rub in direction of grain.

- Stainless Steel Cleaner and Polish (not included):

See "Assistance or Service" section to order.

- Liquid detergent or all-purpose cleaner:

Rinse with clean water and dry with soft, lint-free cloth.

- Vinegar for hard water spots

CONTROL PANEL

- Sponge or soft cloth and water:

Dampen sponge with water and wipe panel. Dry with soft cloth.

- To avoid damage to the control panel, do not use chemical or abrasive cleansers.

TURNTABLE

Replace turntable immediately after cleaning. Do not operate the microwave oven without the turntable in place.

- Mild cleanser and scouring pad

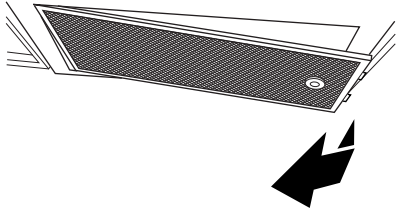
- Dishwasher

Replacing Grease Filter

The grease filter should be removed and cleaned at least once a month. Do not operate the microwave oven or vent fan without the grease filter in place. See "Assistance or Service" for information on reordering filters.

To Remove and Replace Grease Filter:

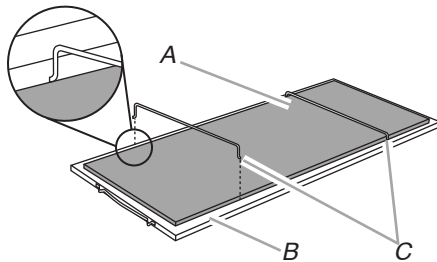
1. Remove the grease filter by pushing the filter to the left side of the microwave oven until the right end of the filter drops down, then pull out the filter.



2. Replace grease filter by inserting one end of the filter into the left rim of the frame. Swing the right end of the filter up and slide it into position.

Replacing Charcoal Filter (for recirculation installation only)

The charcoal filter (not provided) should be used if venting is set to recirculation. See "Accessories" in "Replacement Parts" section for information on ordering.



A. Charcoal filter
B. Grease filter
C. Wire rods (2)

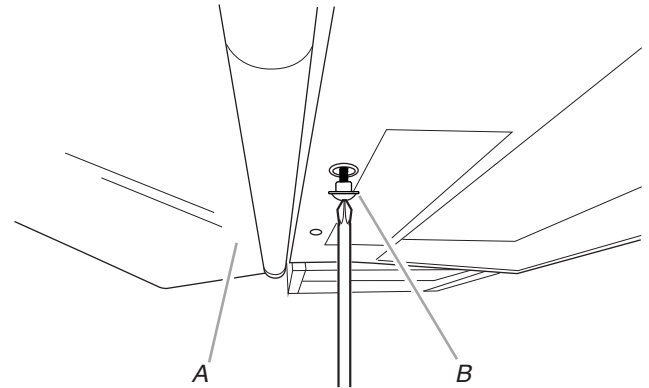
1. Remove grease filter. See Step 1 of "Replacing Grease Filter."
2. Remove wire rods holding charcoal filter in place, then remove old charcoal filter.
3. Cover the inside of the grease filter with the new charcoal filter.
4. Insert wire rods to hold the charcoal filter in place.
5. Reinstall grease filter. See Step 2 of "Replacing Grease Filter."

Replacing Cooktop Light

The cooktop light is a 25W halogen bulb. See "Assistance or Service" section to reorder.

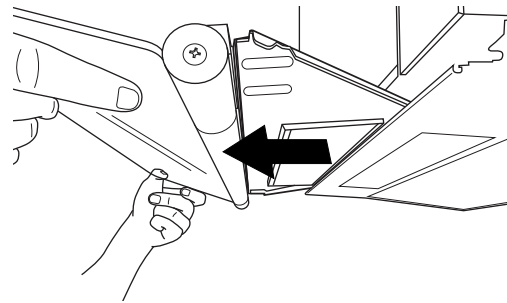
To Replace:

1. Unplug microwave oven or disconnect power.
2. Remove visor mounting screws.



A. Visor
B. Mounting screws (2)

3. Pull out visor.



4. Replace light.
5. Reinsert visor. Replace mounting screws.
6. Plug in microwave oven or reconnect power.

TROUBLESHOOTING

Try the solutions suggested here first in order to avoid the cost of an unnecessary service call.

Nothing will operate

- **Has a household fuse blown, or has a circuit breaker tripped?**
Replace the fuse or reset the circuit breaker. If the problem continues, call an electrician.
- **Is the microwave oven wired properly?**
See Installation Instructions provided with your microwave oven.

Microwave oven will not operate

- **Is the magnetron working properly?**
Try to heat 1 cup (250 mL) of cold water for 2 minutes at 100% cooking power. If water does not heat, try the steps below. If microwave oven still does not operate, call for service. See “Assistance or Service” section.
- **Is the door completely closed?**
Firmly close door.
- **Does a message about the door appear in the display?**
The door has been closed for 5 minutes or more. Open and close the door, then press Start control to start the cooking cycle. See “Start” section.
- **Is a packaging spacer (on some models) attached to the inside of the door?**
Remove packaging spacer, then firmly close door.
- **Is the electronic microwave oven control set correctly?**
See “Microwave Oven Control” section.

Microwave oven makes humming noise

- This is normal and occurs when the power supply switches the magnetron on and off.

Microwave oven door looks wavy

- This is normal and will not affect performance.

Turntable will not operate

- **Has the tape been removed from turntable hub?**
See “Turntable” section.
- **Is the turntable properly in place?**
Make sure turntable is correct side up and is sitting securely on the turntable support.
- **Is the turntable support operating properly?**
Remove turntable. Remove and clean turntable support and rollers. Replace turntable support. Replace turntable. Place 1 cup (250 mL) of water on the turntable, then restart microwave oven. If it still is not working, call for service. See “Assistance or Service” section. Do not operate the microwave oven without turntable and turntable support working properly.

Turntable alternates rotation directions

- This is normal and depends on motor rotation at the beginning of the cycle.

Display shows messages

- **Is the display showing “:”?**
There has been a power failure, or the clock time has been turned off. See “Display” section to clear display. See “Clock” section to reset the clock or to turn it on.
- **Is the display showing a letter followed by a number?**
Clear the display. If it reappears, call for service. See “Assistance or Service” section.

Display shows time countdown, but is not operating

- **Is the Timer in use?**
See “Timer” section.

Fan running slower than usual

- **Has the microwave oven been stored in a cold area?**
The fan will run slower until the microwave oven warms up to normal room temperature.

Fan running during microwave cooking

- This is normal. The fan comes on to cool the microwave oven, and may stay on for up to 5 minutes after cooking has ended. See “Vent Fan” section.

Cooking times seem too long

- **Is the cooking power set properly?**
See “Microwave Cooking Power” section.
- **Are large amounts of food being heated?**
Larger amounts of food need longer cooking times.
- **Is the incoming voltage less than that specified in “Microwave Hood Combination Safety?”**
Have a qualified electrician check the electrical system in the home.

Radio, TV or cordless phone interference

- **Is the radio or TV receiver near the microwave oven?**
Move the receiver away from the microwave oven, or adjust the radio or TV antenna.
- **Are the microwave oven door and sealing surfaces clean?**
Make sure these areas are clean.
- **Is the cordless phone frequency 2.4 GHz?**
Some 2.4 GHz-based cordless phones and home wireless networks may experience static or noise while the microwave oven is on. Use a corded phone, a different frequency cordless phone or avoid using these items during microwave oven operation.

ASSISTANCE OR SERVICE

Before calling for assistance or service, please check “Troubleshooting.” It may save you the cost of a service call. If you still need help, follow the instructions below.

When calling, please know the purchase date and the complete model and serial number of your appliance. This information will help us to better respond to your request.

If you need replacement parts

If you need to order replacement parts, we recommend that you use only factory specified parts. Factory specified parts will fit right and work right because they are made with the same precision used to build every new appliance.

To locate factory specified parts in your area, call us or your nearest designated service center.

For accessories in the U.S.A., you can visit our website at www.whirlpool.com/owners or call us at **1-800-253-1301**.

In Canada, visit our website at www.whirlpool.ca/owners or call us at **1-800-807-6777**.

Our consultants provide assistance with:

- Features and specifications on our full line of appliances.
- Use and maintenance procedures.
- Accessory and repair parts sales.
- Referrals to local dealers, repair parts distributors, and service companies. Designated service technicians are trained to fulfill the product warranty and provide after-warranty service, anywhere in Canada.

For further assistance

If you need further assistance, you can write with any questions or concerns at:

In the U.S.A.

Whirlpool Brand Home Appliances
Customer eXperience Center
553 Benson Road,
Benton Harbor, MI 49022-2692

In Canada.

Whirlpool Brand Home Appliances
Customer eXperience Centre
200 - 6750 Century Ave.
Mississauga, Ontario L5N 0B7

Please include a daytime phone number in your correspondence.

Replacement Parts

Glass Turntable
Part Number W10618210

Turntable Support and Rollers
Part Number W10618211

Turntable Hub
Part Number W10618212

Visor
Part Number W10618218

25W Halogen Bulb
Part Number W10618217

Grease Filter
Part Number W10618216

Accessories

Charcoal Filter Kit may be ordered and installed if microwave oven is set for recirculation venting. The kit comes with one charcoal filter and two wire rods. It attaches to the grease filter.
Part Number W10610033

Stainless Steel Panel Kit may be ordered and installed above the front face of the microwave oven to cover the upper component housing. The kit comes with one stainless steel panel and three mounting screws.
Part Number W11170104

Cleaning Supplies

affresh® Kitchen Appliance
Cleaner
Part Number W10355010B

affresh® Stainless Steel Cleaner
Part Number W10355016B

affresh® Stainless Steel Wipes
Part Number W10355049B

Heavy Duty Degreaser
Part Number 31552A

WHIRLPOOL® MAJOR APPLIANCE LIMITED WARRANTY

ATTACH YOUR RECEIPT HERE. PROOF OF PURCHASE IS REQUIRED TO OBTAIN WARRANTY SERVICE.

Please have the following information available when you call the Customer eXperience Center:

- Name, address and telephone number
- Model number and serial number
- A clear, detailed description of the problem
- Proof of purchase including dealer or retailer name and address

IF YOU NEED SERVICE:

1. Before contacting us to arrange service, please determine whether your product requires repair. Some questions can be addressed without service. Please take a few minutes to review the Troubleshooting or Problem Solver section of the Use and Care Guide, or visit www.whirlpool.com/owners
2. All warranty service is provided exclusively by our authorized Whirlpool Service Providers. In the U.S. and Canada, direct all requests for warranty service to:

Whirlpool Customer eXperience Center

In the U.S.A., call 1-800-253-1301. In Canada, call 1-800-807-6777.

If outside the 50 United States or Canada, contact your authorized Whirlpool dealer to determine whether another warranty applies.

ONE YEAR LIMITED WARRANTY

WHAT IS COVERED

For one year from the date of purchase, when this major appliance is installed, operated and maintained according to instructions attached to or furnished with the product, Whirlpool Corporation or Whirlpool Canada LP (hereafter "Whirlpool") will pay for Factory Specified Replacement Parts and repair labor to correct defects in materials or workmanship that existed when this major appliance was purchased, or at its sole discretion replace the product. In the event of product replacement, your appliance will be warranted for the remaining term of the original unit's warranty period.

YOUR SOLE AND EXCLUSIVE REMEDY UNDER THIS LIMITED WARRANTY SHALL BE PRODUCT REPAIR AS PROVIDED HEREIN. Service must be provided by a Whirlpool designated service company. This limited warranty is valid only in the United States or Canada and applies only when the major appliance is used in the country in which it was purchased. This limited warranty is effective from the date of original consumer purchase. Proof of original purchase date is required to obtain service under this limited warranty.

WHAT IS NOT COVERED

1. Commercial, non-residential, multiple-family use, or use inconsistent with published user, operator or installation instructions.
2. In-home instruction on how to use your product.
3. Service to correct improper product maintenance or installation, installation not in accordance with electrical or plumbing codes or correction of household electrical or plumbing (i.e. house wiring, fuses or water inlet hoses).
4. Consumable parts (i.e. light bulbs, batteries, air or water filters, preservation solutions, etc.).
5. Defects or damage caused by the use of non-genuine Whirlpool parts or accessories.
6. Conversion of products from natural gas or propane gas.
7. Damage from accident, misuse, abuse, fire, floods, acts of God or use with products not approved by Whirlpool.
8. Repairs to parts or systems to correct product damage or defects caused by unauthorized service, alteration or modification of the appliance.
9. Cosmetic damage including scratches, dents, chips, and other damage to the appliance finishes unless such damage results from defects in materials and workmanship and is reported to Whirlpool within 30 days.
10. Discoloration, rust or oxidation of surfaces resulting from caustic or corrosive environments including but not limited to high salt concentrations, high moisture or humidity or exposure to chemicals.
11. Food or medicine loss due to product failure.
12. Pick-up or delivery. This product is intended for in-home repair.
13. Travel or transportation expenses for service in remote locations where an authorized Whirlpool servicer is not available.
14. Removal or reinstallation of inaccessible appliances or built-in fixtures (i.e. trim, decorative panels, flooring, cabinetry, islands, countertops, drywall, etc.) that interfere with servicing, removal or replacement of the product.
15. Service or parts for appliances with original model/serial numbers removed, altered or not easily determined.

The cost of repair or replacement under these excluded circumstances shall be borne by the customer.

DISCLAIMER OF IMPLIED WARRANTIES

IMPLIED WARRANTIES, INCLUDING ANY IMPLIED WARRANTY OF MERCHANTABILITY OR IMPLIED WARRANTY OF FITNESS FOR A PARTICULAR PURPOSE, ARE LIMITED TO ONE YEAR OR THE SHORTEST PERIOD ALLOWED BY LAW. Some states and provinces do not allow limitations on the duration of implied warranties of merchantability or fitness, so this limitation may not apply to you. This warranty gives you specific legal rights, and you also may have other rights that vary from state to state or province to province.

DISCLAIMER OF REPRESENTATIONS OUTSIDE OF WARRANTY

Whirlpool makes no representations about the quality, durability, or need for service or repair of this major appliance other than the representations contained in this warranty. If you want a longer or more comprehensive warranty than the limited warranty that comes with this major appliance, you should ask Whirlpool or your retailer about buying an extended warranty.

LIMITATION OF REMEDIES; EXCLUSION OF INCIDENTAL AND CONSEQUENTIAL DAMAGES

YOUR SOLE AND EXCLUSIVE REMEDY UNDER THIS LIMITED WARRANTY SHALL BE PRODUCT REPAIR AS PROVIDED HEREIN. WHIRLPOOL SHALL NOT BE LIABLE FOR INCIDENTAL OR CONSEQUENTIAL DAMAGES. Some states and provinces do not allow the exclusion or limitation of incidental or consequential damages, so these limitations and exclusions may not apply to you. This warranty gives you specific legal rights, and you also may have other rights that vary from state to state or province to province.

SÉCURITÉ DE L'ENSEMBLE FOUR À MICRO-ONDES/HOTTE

Votre sécurité et celle des autres est très importante.

Nous donnons de nombreux messages de sécurité importants dans ce manuel et sur votre appareil ménager. Assurez-vous de toujours lire tous les messages de sécurité et de vous y conformer.



Voici le symbole d'alerte de sécurité.

Ce symbole d'alerte de sécurité vous signale les dangers potentiels de décès et de blessures graves à vous et à d'autres.

Tous les messages de sécurité suivront le symbole d'alerte de sécurité et le mot "DANGER" ou "AVERTISSEMENT". Ces mots signifient :

⚠ DANGER

Risque possible de décès ou de blessure grave si vous ne suivez pas immédiatement les instructions.

⚠ AVERTISSEMENT

Risque possible de décès ou de blessure grave si vous ne suivez pas les instructions.

Tous les messages de sécurité vous diront quel est le danger potentiel et vous disent comment réduire le risque de blessure et ce qui peut se produire en cas de non-respect des instructions.

IMPORTANTES INSTRUCTIONS DE SÉCURITÉ

Lors de l'utilisation de tout appareil ménager électrique on doit observer certaines précautions de sécurité fondamentales, dont les suivantes :

AVERTISSEMENT : Pour réduire le risque de brûlures, de choc électrique, d'incendie, de blessures et l'exposition excessive à l'énergie des micro-ondes :

- Lire la totalité des instructions avant d'utiliser le four à micro-ondes.
- Lire et observer les instructions spécifiques de "PRÉCAUTIONS CONTRE LE RISQUE D'EXPOSITION EXCESSIVE À L'ÉNERGIE DES MICRO-ONDES" dans cette section.
- Le four à micro-ondes doit être relié à la terre. Brancher l'appareil uniquement sur une prise de courant convenablement reliée à la terre. Voir les "INSTRUCTIONS DE LIAISON À LA TERRE" présentées dans cette section et dans les instructions d'installation fournies.
- Installer ou placer le four à micro-ondes uniquement selon les instructions d'installation fournies.
- Certains produits, comme les oeufs entiers dans leur coquille et les récipients fermés - par exemple les bocaux en verre fermés - peuvent exploser et on ne doit pas les faire chauffer dans le four à micro-ondes.
- Utiliser le four à micro-ondes uniquement pour les applications auxquelles il est destiné, telles qu'elles sont décrites dans ce manuel. Ne pas utiliser de vapeurs ou de produits chimiques corrosifs dans le four à micro-ondes. Ce type de four est spécifiquement conçu pour chauffer, cuire ou sécher des aliments. Il n'est pas conçu pour des applications industrielles ou de laboratoire.
- Comme pour tout appareil ménager, les enfants ne devraient utiliser ce four que sous une supervision adéquate.
- Ne pas faire fonctionner le four à micro-ondes si le cordon d'alimentation ou la fiche de branchement est endommagé, s'il ne fonctionne pas correctement, s'il a subi des dommages ou s'il est tombé.
- Tous les travaux de service doivent être exécutés exclusivement par un personnel d'entretien qualifié. Contacter un centre de service autorisé pour les opérations d'inspection, de réparation ou de réglage.
- Ne pas couvrir ni obstruer toute ouverture sur le four à micro-ondes.
- Ne pas remettre ce four à micro-ondes à l'extérieur. Ne pas utiliser le four à micro-ondes à proximité d'eau - par exemple, près d'un évier de cuisine, dans un sous-sol humide ou près d'une piscine ou à un emplacement similaire.
- Ne pas immerger le cordon ou la fiche de branchement dans l'eau.
- Garder le cordon d'alimentation loin des surfaces chauffées.
- Ne pas laisser le cordon d'alimentation pendre sur le bord d'une table ou d'un comptoir.
- Voir les instructions de nettoyage de la surface de la porte à la section "Entretien du four à micro-ondes".
- Pour réduire le risque d'incendie dans la cavité du four :
 - Ne pas faire cuire les aliments excessivement. Surveiller attentivement le four à micro-ondes après y avoir placé des produits en papier, en plastique ou autres matériaux combustibles pour faciliter la cuisson des aliments.
 - Enlever les attaches métalliques des sachets en papier ou en plastique avant de placer de tels sachets dans le four.
 - En cas d'inflammation de matériaux placés à l'intérieur du four, maintenir la porte du four fermée, arrêter le four, débrancher le four, ou interrompre l'alimentation électrique au niveau du tableau de distribution (fusible ou disjoncteur).
 - Ne pas utiliser la cavité du four comme espace de rangement. Ne pas laisser dans le four des produits en papier, ustensiles de cuisine ou produits alimentaires, lorsqu'il n'est pas utilisé.

CONSERVEZ CES INSTRUCTIONS

IMPORTANTES INSTRUCTIONS DE SÉCURITÉ

- Les liquides tels que l'eau, le café ou le thé peuvent trop chauffer - au-delà du point d'ébullition - sans sembler bouillir. Il n'y a pas toujours des bulles ou une ébullition lorsqu'on retire le récipient du four à micro-ondes. À CAUSE DE CECI, DES LIQUIDES TRÈS CHAUDS POURRAIENT DÉBORDER LORSQU'ON BOUGE LE RÉCIPIENT OU QUE L'ON UTILISE UNE CUILLÈRE OU UN AUTRE USTENSILE POUR LE REMUER.
Pour réduire le risque de blessures corporelles :
 - Ne pas trop faire chauffer le liquide.
 - Remuer le liquide avant et pendant le chauffage.
 - Ne pas utiliser de récipients à parois droites avec des ouvertures étroites.
 - Une fois chaud, laisser le récipient dans le four à micro-ondes un moment avant de le retirer.
 - Faire très attention lorsqu'on utilise une cuillère ou un autre ustensile dans le récipient.
- Ne pas faire le montage au-dessus d'un évier.
- Veiller à ne rien remiser directement sur le four lorsqu'il est en service.
- Nettoyer souvent les hottes de ventilation. Il ne faut pas laisser la graisse s'accumuler sur la hotte ou le filtre.
- Lorsque vous flambez des aliments sous la hotte, mettre le ventilateur en marche.
- Convient à l'utilisation au-dessus des appareils de cuisson au gaz et électriques.
- Destiné à l'utilisation au-dessus des cuisinières avec une largeur maximale de 24" (61,0 cm).
- Nettoyer avec soin le filtre du ventilateur de la hotte. Des agents de nettoyage corrosifs, tels que les produits de nettoyage de four à base de soude, peuvent endommager le filtre.

CONSERVEZ CES INSTRUCTIONS

PRÉCAUTIONS CONTRE LE RISQUE D'EXPOSITION EXCESSIVE À L'ÉNERGIE DES MICRO-ONDES

- (a) Ne pas tenter de faire fonctionner ce four lorsque la porte est ouverte, car ceci pourrait susciter une exposition dangereuse à l'énergie des micro-ondes. Il est important de ne pas entraver le fonctionnement correct du dispositif de verrouillage de sécurité.
- (b) Ne pas placer d'objet entre la surface avant du four et la porte, et ne jamais laisser des souillures ou résidus de produits de nettoyage s'accumuler sur les surfaces d'étanchéité.
- (c) Ne pas faire fonctionner le four lorsqu'il est endommagé. Il est particulièrement important que la porte du four ferme convenablement et que les composants suivants ne soient pas endommagés :
 - (1) Porte (déformation),
 - (2) Charnières et dispositif de verrouillage (brisés ou desserrés),
 - (3) Joints de porte et surfaces d'étanchéité.
- (d) Seul un personnel d'entretien qualifié est habilité à exécuter des réparations ou réglages sur cet appareil.

Avertissements de la proposition 65 de l'État de Californie :

AVERTISSEMENT : Ce produit contient au moins un produit chimique connu par l'État de Californie pour être à l'origine de cancers.

AVERTISSEMENT : Ce produit contient au moins un produit chimique connu par l'État de Californie pour être à l'origine de malformations et autres déficiences de naissance.

Spécifications électriques

⚠ AVERTISSEMENT



Risque de choc électrique

Brancher sur une prise à 3 alvéoles reliée à la terre.

Ne pas enlever la broche de liaison à la terre.

Ne pas utiliser un adaptateur.

Ne pas utiliser un câble de rallonge.

Le non-respect de ces instructions peut causer un décès, un incendie ou un choc électrique.

Observer les dispositions de tous les codes et règlements en vigueur.

Nécessaire :

- Une alimentation électrique de 120 volts, 60 Hz, CA seulement, 15 ou 20 ampères, protégée par un fusible ou un disjoncteur.

Recommandé :

- Un fusible temporisé ou un disjoncteur temporisé.
- Un circuit distinct exclusif à ce four à micro-ondes.

INSTRUCTIONS DE LIAISON À LA TERRE

■ Pour tout appareil ménager connecté par un cordon de courant électrique :

Il faut que le four à micro-ondes soit relié à la terre. En cas de court-circuit électrique, la liaison à la terre réduit le risque de choc électrique car le courant électrique dispose d'un itinéraire direct d'acheminement à la terre. Le four à micro-ondes est doté d'un cordon de courant électrique qui comporte un fil de liaison à la terre, avec broche de liaison à la terre. On doit brancher la fiche sur une prise de courant convenablement installée et reliée à la terre.

AVERTISSEMENT : L'utilisation incorrecte du dispositif de liaison à la terre peut susciter un risque de choc électrique. L'utilisateur qui ne comprend pas bien les instructions de liaison à la terre, ou qui n'est pas certain que le four à micro-ondes soit convenablement relié à la terre, devrait consulter un électricien ou un technicien qualifié.

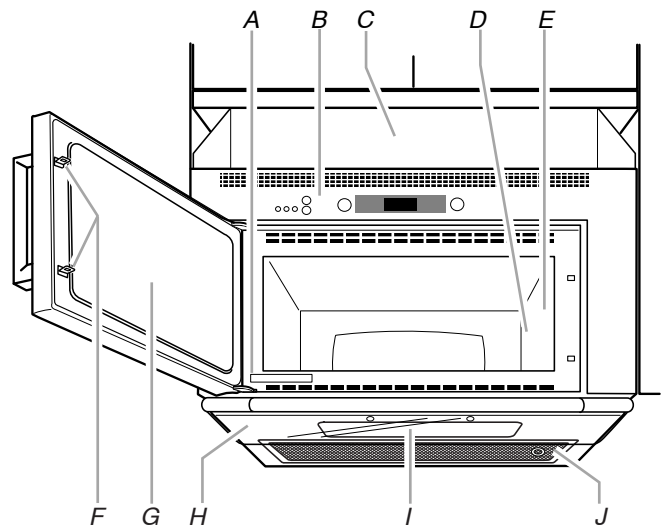
Ne pas utiliser un câble de rallonge. Si le cordon de courant électrique est trop court, demander à un électricien ou un technicien qualifié d'installer une prise de courant à proximité du four à micro-ondes.

CONSERVEZ CES INSTRUCTIONS

Cet appareil est conforme à l'article 18 des règles de la FCC.
Cet appareil est conforme à la norme ICES-001 d'Industrie Canada.

PIÈCES ET CARACTÉRISTIQUES

Ce manuel peut couvrir différents modèles. Le four que vous avez acheté peut avoir certaines ou toutes les caractéristiques énumérées. L'apparence de votre modèle peut différer légèrement des illustrations présentes dans ce manuel.



A. Plaque signalétique

B. Tableau de commande

C. Compartiment du composant supérieur

D. Couverture - orifice d'introduction des micro-ondes

E. Lampe du four à micro-ondes

F. Système de verrouillage de la porte

G. Hublot

H. Écran mobile

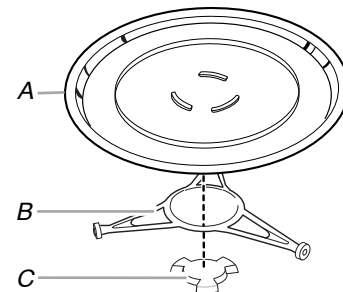
I. Lampe de la table de cuisson

J. Filtre à graisse

Pièces et caractéristiques non illustrées

Plateau rotatif

Plateau rotatif



A. Plateau rotatif

B. Support

C. Axe

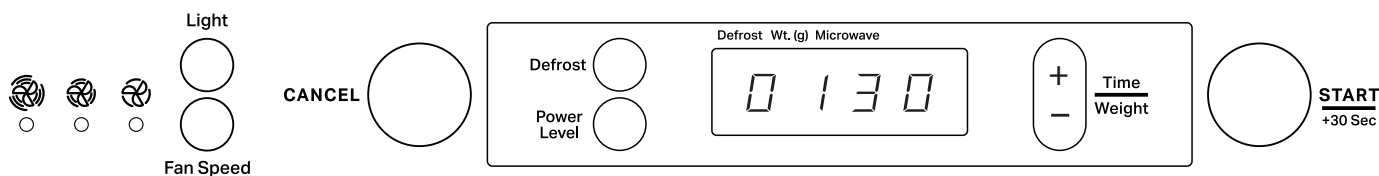
Le plateau rotatif tourne dans les deux sens pour permettre une cuisson plus uniforme. Pour les meilleurs résultats de cuisson, ne pas faire fonctionner le four à micro-ondes sans que le plateau rotatif ne soit en place. Voir "Assistance ou service" pour passer une nouvelle commande de pièces.

Installation :

1. Placer le support sur le fond de la cavité du four à micro-ondes.
2. Placer le plateau rotatif sur le support.

Insérer les protubérances arrondies au centre du dessous du plateau rotatif entre les trois rayons de l'axe. Les roulettes sur le support devraient se loger à l'intérieur du pourtour cranté du dessous du plateau rotatif.

COMMANDE DU FOUR À MICRO-ONDES



Affichage

Lors de la mise sous tension initiale du four à micro-ondes, “:” apparaît sur l’affichage. Si le “:” apparaît sur l’affichage à tout autre moment ou qu’on remarque que l’horloge n’est pas réglée, cela signifie qu’une panne de courant s’est produite. Régler de nouveau l’horloge si nécessaire. Voir “Horloge”.

Lorsque le four à micro-ondes est utilisé, l’affichage indique la durée de cuisson restante. Lorsqu’on n’utilise pas le four à micro-ondes, l’affichage indique l’heure (si l’horloge est réglée).

Mise en marche

La commande Mise en marche active n’importe quelle fonction. Si la cuisson est interrompue par l’ouverture de la porte, appuyer sur Mise en marche pour poursuivre le programme dans les 10 minutes qui suivent l’interruption.

La commande Mise en marche déclenche automatiquement la mise en marche du four à micro-ondes à pleine puissance (750 W) pendant 30 secondes. Elle ajoute 30 secondes de temps de cuisson à chaque pression supplémentaire sur la touche.

On peut prolonger le temps de cuisson d’un programme manuel par tranches de 30 secondes tout en conservant le même niveau de puissance en appuyant sur la commande Mise en marche durant la cuisson.

REMARQUE : Pour éviter l’utilisation involontaire du four à micro-ondes, il est impossible de lancer une fonction de cuisson si la porte du four à micro-ondes est restée fermée pendant environ 1 minute. Le mot “Port” (porte) apparaît sur l’affichage jusqu’à ce que l’on ouvre puis referme la porte.

Arrêt

La commande Arrêt permet d’effacer toute commande invalide et d’annuler n’importe quel programme durant une cuisson.

Le four à micro-ondes s’arrête également lorsqu’on ouvre la porte. Fermer la porte et appuyer sur la commande Mise en marche pour reprendre le programme.

Programmation de la durée

La commande +/- permet d’entrer l’heure pour le réglage de l’horloge et la programmation des programmes de cuisson. Ce qui suit représente le temps ajouté à chaque pression sur la commande.

Chaque pression sur la commande ajoute	Jusqu’à
5 secondes	1 minute
15 secondes	3 minutes
30 secondes	6 minutes
1 minute	30 minutes

REMARQUE : Appuyer sur la commande +/- pour ajouter directement 10 minutes.

Minuterie

Il est possible d’utiliser le four à micro-ondes comme minuterie de cuisine en réglant l’appareil à la puissance zéro (0 W).

Réglage :

- Appuyer sur les commandes +/- pour régler la durée souhaitée. Chaque pression supplémentaire sur la commande ajoute ou soustrait 5 secondes à la durée actuelle.
- Appuyer plusieurs fois sur la commande Niveau de puissance jusqu’à ce que 0 W s’affiche.
- Appuyer sur la commande Mise en marche.

Lorsque la durée réglée est écoulée, un signal sonore retentit.

En appuyant plusieurs fois sur la commande +/-, on peut régler la durée à nouveau tandis que le compte à rebours continue à effectuer le décompte.

Horloge

Il s’agit d’une horloge de 12 heures.

REMARQUE : Dans le cas d’une panne de courant, l’horloge doit être réinitialisée.

Réglage :

Le four à micro-ondes doit être éteint (en mode de veille).

- Appuyer sur la commande Arrêt pendant environ 3 secondes jusqu’à ce que les deux chiffres de gauche clignotent sur l’affichage.
- Appuyer sur les commandes +/- pour régler l’heure.
- Appuyer sur la commande Mise en marche. Les deux chiffres de droite clignotent.
- Appuyer sur les commandes +/- pour régler les minutes.
- Appuyer sur la commande Mise en marche pour enregistrer le réglage.

Suppression :

- Appuyer sur la commande Arrêt pendant environ 3 secondes jusqu’à ce que les deux chiffres de gauche clignotent sur l’affichage.
- Appuyer sur la commande Arrêt. L’heure s’efface et “:” apparaît sur l’afficheur.

Programmation de la langue/ des unités de poids

Il est possible de modifier la langue de l'affichage et le système de réglage du poids à l'aide des réglages client.

La langue préréglée par défaut est l'anglais mais elle peut être changée pour le français. Le système préréglé par défaut pour entrer le poids est le système métrique (en grammes) mais il peut être changé pour le système impérial (en onces).

REMARQUE : En cas de panne de courant, la langue et le système utilisé pour régler le poids retournent aux réglages préréglés par défaut.

Pour modifier les réglages :

1. Appuyer sur la commande décongélation pendant environ 3 secondes, jusqu' à "Cset" apparaît sur l'affichage.
2. Appuyer sur la commande +/- pour sélectionner la langue, puis appuyer sur la commande Mise en marche.
3. Appuyer sur la commande +/- pour sélectionner le système de réglage du poids, puis appuyer sur la commande Start (mise en marche) pour enregistrer le réglage. En fonction de la langue programmée, "Done" (terminé) ou "Fini" apparaît sur l'affichage.

Ventilateur

Le ventilateur d'évacuation comporte 3 vitesses : élevée, moyenne et basse. Les témoins lumineux de vitesse du ventilateur indiquent la vitesse du ventilateur. Si on laisse le ventilateur en marche, il s'éteint automatiquement au bout de 4 heures.

Mode de fonctionnement forcé

Pour empêcher le four à micro-ondes de surchauffer, le ventilateur se met automatiquement en marche à vitesse élevée si la température de la cuisinière ou de la table de cuisson sous le four à micro-ondes devient trop élevée. Il est possible qu'il fonctionne pendant plusieurs minutes pour refroidir le four à micro-ondes. Lorsque cela se produit, il est impossible d'éteindre le ventilateur ou de modifier sa vitesse tant que la température n'est pas retombée en-deçà d'un certain niveau.

REMARQUE : Lorsque le ventilateur est en mode de fonctionnement forcé, les témoins lumineux de vitesse du ventilateur ne reflètent pas forcément la vitesse de ventilation réelle (vitesse élevée).

Marche/arrêt du ventilateur d'évacuation : Appuyer plusieurs fois sur la commande de ventilateur pour alterner entre les différentes vitesses ou pour l'éteindre.

Éclairage de la table de cuisson

Activation/désactivation : Appuyer plusieurs fois sur la commande Éclairage pour commander l'allumage ou l'extinction.

Signaux sonores

Les signaux sonores ne peuvent pas être désactivés et ils indiquent les situations suivantes :

Deux signaux sonores

- Rappel - se répètent toutes les 30 secondes.

Trois signaux sonores

- Fin de programme

UTILISATION DU FOUR À MICRO-ONDES

Un magnétron dans le four à micro-ondes produit des micro-ondes qui rebondissent de la base, des parois et de la voûte en métal et qui passent à travers le plateau rotatif et les ustensiles de cuisson appropriés pour atteindre l'aliment. Les micro-ondes sont attirées et absorbées par le gras, le sucre et les molécules d'eau dans les aliments et font déplacer ces molécules, en produisant une friction et une chaleur qui fait cuire les aliments.

- Pour éviter d'endommager le four à micro-ondes, ne pas s'appuyer ou laisser les enfants se balancer sur la porte du four à micro-ondes.
- Pour éviter d'endommager le four à micro-ondes, ne pas faire fonctionner le four à micro-ondes à vide.
- Les biberons et les petits pots d'aliments pour bébés ne doivent pas être chauffés dans le four à micro-ondes.
- Les vêtements, fleurs, fruits, herbes, gourdes, le bois, le papier - y compris les sacs en papier brun et les journaux - ne doivent pas être séchés dans le four à micro-ondes.
- La paraffine ne fondra pas dans le four à micro-ondes car elle n'absorbe pas les micro-ondes.
- Utiliser des mitaines de four ou des maniques lorsque l'on enlève des contenants du four à micro-ondes.
- Ne pas faire cuire les pommes de terre excessivement. À la fin de la durée de cuisson recommandée, les pommes de terre devraient être légèrement fermes. Laisser les pommes de terre reposer pendant 5 minutes. Elles achèveront de cuire pendant cette période.
- Ne pas faire cuire ou réchauffer des œufs entiers avec leur coquille. La vapeur accumulée dans les œufs entiers pourrait les faire éclater, ce qui exigerait le nettoyage significatif de la cavité du four à micro-ondes. Recouvrir les œufs pochés et les laisser reposer.

Caractéristiques des aliments

Lors de la cuisson au four à micro-ondes, la quantité, la taille, la forme, la température de début, la composition et la densité de l'aliment affectent les résultats de cuisson.

Quantité d'aliments

La quantité d'aliments chauffés influencera la durée de cuisson. Vérifier le degré de cuisson et prolonger légèrement la durée si nécessaire.

Taille et forme

Des morceaux plus petits d'aliments cuiront plus vite que les gros morceaux, et les aliments uniformes cuiront plus également que les aliments de forme irrégulière.

Température de début

Les aliments à température ambiante chaufferont plus vite que les aliments réfrigérés, et les aliments réfrigérés chaufferont plus vite que les aliments congelés.

Composition et densité

Les aliments à haute teneur en gras et en sucre atteindront une température plus élevée et chaufferont plus vite que les autres. Les aliments lourds et denses, tels que la viande et les pommes de terre, nécessitent un temps de cuisson plus long qu'un aliment de la même taille, léger et poreux tel que les gâteaux.

Guide de cuisson

Recouvrement

Couvrir les aliments aide à retenir l'humidité, réduire le temps de cuisson et réduire les éclaboussures. Utiliser le couvercle fourni avec l'ustensile de cuisson. S'il n'y a pas de couvercle disponible, du papier paraffiné, un essuie-tout ou de la pellicule de plastique approuvée pour utilisation dans les fours à micro-ondes peuvent être utilisés. La pellicule de plastique doit être retournée à un coin pour fournir une ouverture à l'échappement de la vapeur. La condensation sur les surfaces de la porte et de la cavité est normale pendant une cuisson intense.

Remuer et tourner

Remuer et tourner les aliments redistribue la chaleur de manière égale pour éviter la cuisson excessive des bords des aliments. Mélanger de l'extérieur vers le centre. Si possible, retourner les aliments.

Disposition

S'il s'agit d'aliments de forme irrégulière ou de dimensions différentes, les parties plus minces et les morceaux plus petits doivent être disposés près du centre. Si l'on cuit plusieurs aliments de même taille et de même forme, les placer en cercle, en laissant le centre du cercle vide.

Dégagement de la pression

Avant le chauffage, utiliser une fourchette ou un petit couteau pour percer les aliments qui ont une peau ou une membrane, tels que les pommes de terre, jaunes d'œufs, foies de poulet, hot dogs et saucisses. Percer en plusieurs endroits pour laisser échapper la vapeur.

Protection

Utiliser du papier d'aluminium en petits morceaux plats pour protéger les parties minces d'aliments de forme irrégulière, les os, et des aliments tels que les ailes et pilons de poulet et les queues de poisson. Voir en premier "Papier d'aluminium et métal".

Temps de repos

Les aliments continueront à cuire par la conduction naturelle de la chaleur même lorsque le programme de micro-ondes sera terminé. La durée du temps de repos dépend du volume et de la densité de l'aliment.

Ustensiles de cuisson et vaisselle

Les ustensiles de cuisson et la vaisselle doivent pouvoir être placés sur le plateau rotatif. Toujours utiliser des mitaines de four ou des maniques lors de la manipulation parce que tout plat peut devenir chaud à cause de la chaleur transmise par les aliments. Ne pas utiliser des ustensiles de cuisson ou de la vaisselle avec une garniture en or ou en argent. Utiliser le tableau suivant comme guide, ensuite faire un test avant l'utilisation.

MATÉRIAU	RECOMMANDATIONS
Papier d'aluminium, métal	Voir la section "Papier d'aluminium et métal".
Plat brunisseur	La base doit être au moins à 3/16" (5 mm) au-dessus du plateau rotatif. Suivre les recommandations du fabricant.
Vitrocéramique, verre	Peut être utilisé.

MATÉRIAU	RECOMMANDATIONS
Porcelaine, faïence	Suivre les recommandations du fabricant.
Mélatamine	Suivre les recommandations du fabricant.
Papier : essuie-tout, vaisselle, serviettes de table	Utiliser des produits non recyclés et ceux qui sont approuvés par le fabricant pour utilisation au four à micro-ondes.
Plastique : pellicule, sacs, couvercles, vaisselle, contenants	Utiliser des produits approuvés par le fabricant pour utilisation au four à micro-ondes.
Poterie et argile	Suivre les recommandations du fabricant.
Ustensile de cuisson au four en silicone	Suivre les recommandations du fabricant.
Paille, osier, contenants en bois	Ne pas utiliser au four à micro-ondes.
Papier paraffiné	Peut être utilisé.

Pour tester l'ustensile de cuisson ou la vaisselle pour utilisation au four à micro-ondes :

1. Placer l'ustensile de cuisson ou la vaisselle dans le four à micro-ondes avec 1 tasse (250 mL) d'eau à côté de l'article.
2. Faire cuire à la puissance de cuisson maximale pendant 1 minute.

Ne pas utiliser cet ustensile de cuisson ou cet article de vaisselle s'il devient chaud alors que l'eau demeure froide.

Papier d'aluminium et métal

Toujours utiliser des mitaines de four ou des maniques pour enlever des plats du four à micro-ondes.

Le papier d'aluminium et certains métaux peuvent être utilisés dans le four à micro-ondes. Si ces articles ne sont pas bien utilisés, des arcs (un éclair bleu) peuvent survenir et causer des dommages au four à micro-ondes.

Utilisation possible

Les grilles et les ustensiles de cuisson fournis avec le four à micro-ondes (sur certains modèles), le papier d'aluminium pour protection et les thermomètres à viande approuvés peuvent être utilisés avec les précautions suivantes :

- Pour éviter d'endommager le four à micro-ondes, ne pas laisser le papier d'aluminium ou le métal toucher les parois, le plafond ou le fond de la cavité intérieure.
- Toujours utiliser le plateau rotatif.
- Pour éviter d'endommager le four à micro-ondes, ne pas permettre un contact avec un autre objet en métal durant la cuisson.

Utilisation à éviter

Les ustensiles de cuisson et de cuisson au four en métal, l'or, l'argent, l'étain, les thermomètres à viande non approuvés, les brochettes, les attaches, les doublures de papier d'aluminium telles que les enveloppes à sandwich, les agrafes et objets avec garniture en or ou en argent ou avec un enduit métallique ne doivent pas être utilisés dans le four à micro-ondes.

Puissance de cuisson des micro-ondes

De nombreuses recettes pour la cuisson au four à micro-ondes indiquent quelle puissance de cuisson doit être utilisée en indiquant un pourcentage ou un nom. Par exemple, 500 W = Moyenne à élevée.

Pour voir le niveau de puissance de cuisson exact durant un programme de cuisson, appuyer sur la commande de Niveau de puissance. L'affichage indique brièvement le niveau de puissance actuel puis retourne au décompte de la cuisson.

Utiliser le tableau suivant comme guide général pour la puissance de cuisson pour des aliments spécifiques.

TENSION/NOM UTILISATION

750 W, Élevée (réglage par défaut)	Chauffage rapide d'aliments minute et d'aliments à haute teneur en eau, tels que les soupes, les boissons et la plupart des légumes. Cuisson de petits morceaux tendres de viande, viande hachée, morceaux de volaille, filets de poisson.
500 W, Moyenne à élevée	Réchauffage de riz, pâtes ou mets en sauce remuables. Réchauffage de soupes en crème. Cuisson et réchauffage d'aliments qui ont besoin d'une puissance de chauffage inférieure à la puissance élevée. Par exemple, poisson entier et pain de viande. Réchauffage d'une seule portion d'aliments. Cuisson d'aliments sensibles tels que les mets à base d'œufs et de fromage, pudding et crèmes anglaises. Cuisson de mets en sauce non remuables tels que les lasagnes.
350 W, Moyenne	Cuisson de jambon, de volaille entière et de morceaux de viande à braiser. Mijotage de ragoûts. Pour faire fondre le chocolat, beurre. Réchauffage du pain, de petits pains et pâtisseries.
160 W, Moyenne à faible), Décongélation	Décongélation de pain, poisson, viandes, volaille et aliments précuits. Ramollir le beurre, le fromage et la crème glacée. Mettre les fruits à température ambiante.
0 W, Pas de puissance	Pour l'utilisation de la minuterie de cuisine seulement; le magnétron n'est pas activé.

Décongélation

On peut utiliser la caractéristique Defrost ou régler le four à micro-ondes pour une décongélation manuelle.

- Déballer les aliments et enlever les couvercles (des contenants à jus de fruit par exemple) avant la décongélation.
- Les paquets peu épais décongèlent plus rapidement que les blocs épais.
- Séparer les morceaux d'aliment le plus tôt possible durant ou à la fin du programme pour une décongélation plus uniforme.
- Utiliser de petits morceaux de papier d'aluminium pour protéger les aliments tels que les ailes et pilons de poulet et les queues de poisson. Voir d'abord "Papier d'aluminium et métal".

La caractéristique décongélation peut être utilisée uniquement pour la viande, la volaille et le poisson, entre 4 et 70 oz (100 et 2000 g). Elle ne doit pas être utilisée pour un aliment laissé à l'extérieur du congélateur pendant plus de 20 minutes et pour les plats cuisinés surgelés. Utiliser le tableau suivant comme guide.

VIANDE

<i>Boeuf</i> : haché, steaks, rôti, ragoût	Les sections étroites ou grasses des morceaux de forme irrégulière doivent être recouvertes de papier d'aluminium avant la décongélation.
<i>Agneau</i> : ragoût et côtelettes	Ne pas décongeler moins de 1/4 lb (113 g) ou deux galettes de 4 oz (113 g). Placer toutes les viandes dans un plat de cuisson allant au micro-ondes.
<i>Porc</i> : côtelettes, côtes, rôtis, saucisses	

VOLAILLE

<i>Poulet</i> : entier et en morceaux	Placer dans un plat de cuisson allant au four à micro-ondes, la poitrine de poulet vers le haut.
<i>Poulets de Cornouailles</i>	
<i>Dinde</i> : poitrine	

POISSON

<i>Filets, darnes, entier, crustacés</i>	Placer dans un plat de cuisson allant au four à micro-ondes.
--	--

Utilisation de la fonction de décongélation :

1. Déballer les aliments, les placer sur le plateau rotatif et fermer la porte.
2. Appuyer sur la commande décongélation.
3. Appuyer plusieurs fois sur les commandes +/- pour entrer le poids en onces ou en grammes en fonction du mode de réglage choisi pour le poids. Voir la section "Programmation de la langue/des unités de poids".
Le poids peut être réglé entre 4 et 70 oz (100 et 2000 g).
4. Appuyer sur la commande Mise en marche.
Le compte à rebours de la durée de décongélation s'affiche. Environ à mi-décongélation, le programme fait une pause et l'appareil demande à l'utilisateur de retourner les aliments. Ouvrir la porte et remuer ou retourner les aliments. Fermer la porte et appuyer sur la commande Mise en marche pour poursuivre la décongélation. Si l'on ne souhaite pas retourner les aliments, le programme reprend automatiquement après 2 minutes.
Une fois le programme terminé, "Fin" apparaît sur l'affichage.
5. Appuyer sur la commande Arrêt ou ouvrir la porte du four pour effacer l'affichage.

Décongélation manuelle : Suivre les instructions de la section "Cuisson manuelle", et régler la puissance de cuisson à 160 W. Voir le tableau "Puissance de cuisson des micro-ondes".

Cuisson manuelle

Utilisation :

1. Placer les aliments sur le plateau rotatif et fermer la porte.
2. Appuyer plusieurs fois sur la commande +/- pour régler la durée. Voir la section "Programmation de la durée" pour connaître les différentes durées entrées à chaque pression sur la commande.
Si la cuisson est effectuée à puissance élevée (750 W), ne pas tenir compte de l'étape 3.

3. Appuyer plusieurs fois sur Niveau de puissance pour sélectionner le niveau de puissance désiré. Voir le tableau "Puissance de cuisson des micro-ondes".
4. Appuyer sur la commande Mise en marche.
Le compte à rebours de la durée de cuisson s'affiche.
Une fois le programme terminé, "Fin" apparaît sur l'affichage.
5. Appuyer sur la commande Arrêt ou ouvrir la porte du four pour effacer l'affichage.

La durée et la puissance de cuisson peuvent être modifiées après avoir appuyé sur la commande Mise en marche sans que l'on ait à interrompre la cuisson.

Pour changer la durée de cuisson : Appuyer sur la commande Mise en marche pour prolonger la durée par tranches de 30 secondes ou sur les commandes +/- pour prolonger ou réduire la durée par tranches de 5 secondes.

Pour changer la puissance de cuisson : Appuyer plusieurs fois sur Niveau de puissance pour alterner entre les différents niveaux de puissance et s'arrêter au niveau de puissance souhaité.

REMARQUE : Pour des résultats de cuisson idéaux et en raison de la taille réduite de la cavité du four, utiliser uniquement des sachets de maïs à éclater sous emballage commercial "format collation".

ENTRETIEN DU FOUR À MICRO-ONDES

Nettoyage général

IMPORTANT : Avant le nettoyage, s'assurer que toutes les commandes sont désactivées et que le four à micro-ondes est froid. Toujours suivre les instructions sur l'étiquette des produits de nettoyage.

Le savon, l'eau et un linge doux ou une éponge sont suggérés à moins d'avis contraire.

FILTRE À GRAISSE

Ne pas utiliser d'ammoniaque ou d'agents de nettoyage corrosifs tels que des nettoyants à four à base de soude.

- Eau chaude et détergent doux :
Faire tremper les filtres, puis les frotter et les agiter pour déloger la saleté et la graisse incrustées. Bien rincer et sécher en secouant.
- Lave-vaisselle :
Laver séparément, pas avec de la vaisselle sale, parce que les aliments peuvent se prendre dans les filtres.

REMARQUE : Une certaine décoloration des filtres peut se produire après leur nettoyage au lave-vaisselle. Ceci est normal, et n'affectera pas le rendement des filtres à graisse.

CAVITÉ DU FOUR À MICRO-ONDES

Pour éviter d'endommager la cavité du four à micro-ondes, ne pas utiliser de tampons à récurer savonneux, de nettoyants abrasifs, de tampons en laine d'acier, de chiffons rugueux de lavage ou certains essuie-tout recyclés.

Pour éviter d'endommager les modèles en acier inoxydable, frotter dans le sens du grain.

La surface où la porte et le cadre du four à micro-ondes se touchent quand la porte est fermée doit être maintenue propre.

Saleté moyenne

- Savons et détergents doux, non abrasifs :
Rincer à l'eau propre et sécher avec un linge doux sans charpie.

Saleté intense

- Savons et détergents doux, non abrasifs :
Faire chauffer 1 tasse (250 mL) d'eau pendant 2 à 5 minutes dans le four à micro-ondes. La vapeur ramollira la saleté. Rincer à l'eau propre et sécher avec un linge doux sans charpie.

Odeurs

- Jus de citron ou vinaigre :

Faire chauffer une tasse (250 mL) d'eau avec 1 c. à soupe (15 mL) de jus de citron ou de vinaigre pendant 2 à 5 minutes dans le four à micro-ondes.

Couvercle - orifice d'introduction des micro-ondes

Pour éviter la formation d'arcs et les dommages causés au four à micro-ondes, le couvercle - orifice d'introduction des micro-ondes (voir la section "Pièces et caractéristiques") doit être maintenu propre.

- Essuyer avec un chiffon humide.

PORTE DU FOUR À MICRO-ONDES ET EXTÉRIEUR

La surface où la porte et le cadre du four à micro-ondes se touchent quand la porte est fermée doit être maintenue propre.

- Savons et détergents doux, non abrasifs :
Rincer à l'eau propre et sécher avec un linge doux sans charpie.
- Nettoyant à vitres et essuie-tout ou tampon à récurer en plastique non abrasif :
Appliquer le nettoyant à vitres sur un linge, et non pas directement sur la surface.

Acier inoxydable (sur certains modèles)

Pour éviter d'endommager la porte et l'extérieur du four à micro-ondes, ne pas utiliser de tampons à récurer savonneux, nettoyants abrasifs, tampons en laine d'acier, chiffons de lavage rugueux ou certains essuie-tout. Frotter dans le sens du grain.

- Nettoyant pour acier inoxydable (non inclus) :
Voir la section "Assistance ou service" pour commander.
- Détergent liquide ou nettoyant tout-usage :
Rincer à l'eau propre et sécher avec un linge doux sans charpie.
- Vinaigre pour les taches d'eau dure.

TABLEAU DE COMMANDE

- Éponge ou linge doux et eau :
Humecter l'éponge avec l'eau et essuyer le tableau. Sécher avec un linge doux.
- Pour éviter d'endommager le tableau de commande, ne pas utiliser de produits de nettoyage chimiques ou abrasifs.

PLATEAU ROTATIF

Remettre le plateau rotatif en place immédiatement après le nettoyage. Ne pas faire fonctionner le four à micro-ondes lorsque le plateau rotatif est enlevé.

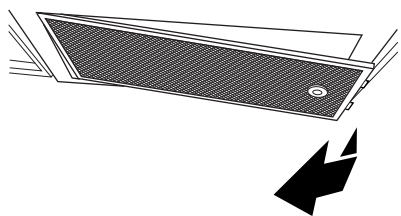
- Nettoyant doux et tampon à rincer
- Lave-vaisselle

Remplacement du filtre à graisse

Le filtre à graisse doit être enlevé et nettoyé au moins une fois par mois. Ne pas faire fonctionner le four à micro-ondes ou le ventilateur sans que le filtre à graisse soit en place. Voir "Assistance ou service" pour des renseignements sur la commande de filtres.

Retrait et réinstallation du filtre à graisse :

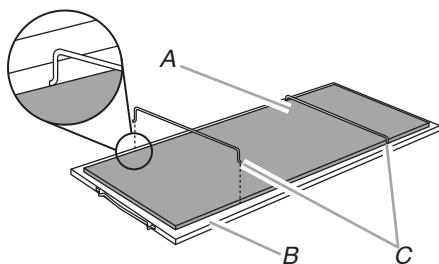
1. Retirer le filtre à graisse en poussant le filtre vers la gauche du four à micro-ondes jusqu'à ce que la partie droite du filtre retombe puis retirer le filtre.



2. Réinstaller le filtre à graisse en insérant une extrémité du filtre dans le rebord gauche du cadre. Orienter la partie droite du filtre vers le haut et l'insérer pour l'emboîter.

Remplacement du filtre à charbon (pour une installation avec recyclage uniquement)

Le filtre à charbon (non fourni) doit être utilisé si l'évacuation est réglée au mode de recyclage. Voir "Accessoires" dans la section "Pièces de rechange" pour des renseignements sur le processus de commande.



A. Filtre à charbon
B. Filtre à graisse
C. Tiges métalliques (2)

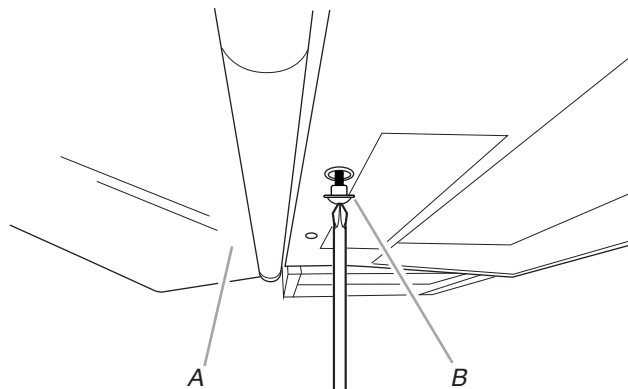
1. Enlever le filtre à graisse. Voir l'étape 1 de la section "Remplacement du filtre à graisse".
2. Enlever les tiges métalliques qui maintiennent le filtre à charbon puis retirer l'ancien filtre à charbon.
3. Placer le filtre à charbon neuf dans la partie interne du filtre à graisse.
4. Insérer les tiges métalliques pour maintenir le filtre à charbon.
5. Réinstaller le filtre à graisse. Voir l'étape 2 de la section "Remplacement du filtre à graisse".

Remplacement de la lampe de la table de cuisson

La lampe de la table de cuisson est une ampoule à halogène de 25 W. Voir la section "Assistance ou service" pour une nouvelle commande.

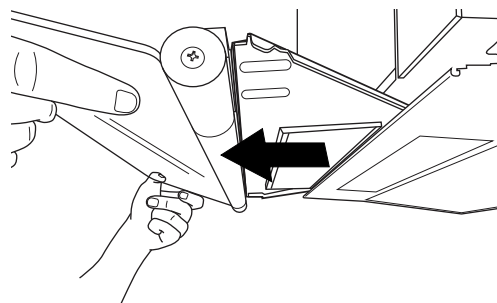
Changement de l'ampoule :

1. Débrancher le four à micro-ondes ou déconnecter la source de courant électrique.
2. Retirer les vis de montage de l'écran mobile.



A. Écran mobile
B. Vis de montage (2)

3. Retirer l'écran mobile.



4. Remplacer l'ampoule.
5. Réinsérer l'écran mobile. Réinstaller les vis de montage.
6. Brancher le four à micro-ondes ou reconnecter la source de courant électrique.

DÉPANNAGE

Essayez d'abord les solutions suggérées ici afin d'éviter le coût d'une visite de service non nécessaire.

Rien ne fonctionne

- **Un fusible est-il grillé ou le disjoncteur s'est-il déclenché?**
Remplacer le fusible ou réenclencher le disjoncteur. Si le problème persiste, appeler un électricien.
- **Le four à micro-ondes est-il correctement raccordé?**
Voir les Instructions d'installation fournies avec le four à micro-ondes.

Le four à micro-ondes ne fonctionne pas

- **Le magnétron fonctionne-t-il correctement?**
Faire chauffer une tasse (250 mL) d'eau froide pendant 2 minutes à la puissance de cuisson maximale. Si l'eau ne chauffe pas, faire un appel de service. Voir la section "Assistance ou service".
- **La porte est-elle bien fermée?**
Bien fermer la porte.
- **Un message à propos de la porte apparaît-il sur l'afficheur?**
La porte est fermée depuis 5 minutes ou plus. Ouvrir et fermer la porte, puis appuyer sur la commande Mise en marche pour démarrer le programme de cuisson. Voir la section "Mise en marche".
- **Une cale d'espacement de l'emballage (sur certains modèles) est-elle fixée à l'intérieur de la porte?**
Enlever la cale d'espacement de l'emballage, puis bien fermer la porte.
- **Le module de commande électronique du four à micro-ondes est-il correctement réglé?**
Voir la section "Commande du four à micro-ondes".

Le four à micro-ondes bourdonne

- Ceci est normal et se produit lorsque l'alimentation électrique allume et éteint le magnétron par intermittence.

La porte du four à micro-ondes semble gondolée

- Ceci est normal et n'affecte pas la performance.

Le plateau rotatif ne fonctionne pas

- **Le ruban adhésif a-t-il été enlevé de l'axe du plateau rotatif?**
Voir la section "Plateau rotatif".
- **Le plateau rotatif est-il bien en place?**
S'assurer que le plateau rotatif est à l'endroit et repose bien sur son support.
- **Le support du plateau rotatif fonctionne-t-il correctement?**
Retirer le plateau rotatif. Retirer et nettoyer le support du plateau rotatif et les roulettes. Réinstaller le support du plateau rotatif. Réinstaller le plateau rotatif. Placer une tasse (250 mL) d'eau sur le plateau rotatif, puis remettre le four à micro-ondes en marche. S'il ne fonctionne toujours pas, faire un appel de service. Voir la section "Assistance ou service". Ne pas faire fonctionner le four à micro-ondes si le plateau rotatif et son support ne fonctionnent pas correctement.

Le plateau rotatif tourne dans les deux sens

- Ceci est normal et dépend de la rotation du moteur au début du programme.

Des messages s'affichent

- **L'afficheur indique-t-il ":"?**
Il y a eu une panne de courant ou l'horloge a été éteinte. Voir la section "Affichage" pour effacer l'affichage. Voir la section "Horloge" pour régler de nouveau l'horloge ou la mettre en marche.
- **L'afficheur indique-t-il une lettre suivie d'un chiffre?**
Effacer l'affichage. S'il réapparaît, faire un appel de service. Voir la section "Assistance ou service".

L'afficheur indique le compte à rebours, mais ne fonctionne pas

- **La minuterie est-elle en cours d'utilisation?**
Voir la section "Minuterie".

Le ventilateur tourne plus lentement que d'habitude

- **Le four à micro-ondes a-t-il été remis dans un endroit froid?**
Le ventilateur fonctionnera plus lentement jusqu'à ce que le four à micro-ondes atteigne la température ambiante normale.

Le ventilateur fonctionne pendant la cuisson

- Ceci est normal. Le ventilateur se met en marche pour refroidir le four à micro-ondes, et il peut rester actif pendant une durée maximale de 5 minutes après la fin de la cuisson. Voir la section "Ventilateur".

Les durées de cuisson semblent trop longues

- **La puissance de cuisson est-elle bien réglée?**
Voir la section "Puissance de cuisson des micro-ondes".
- **Chauffe-t-on de grosses quantités d'aliments?**
Les quantités plus grandes d'aliments nécessitent des durées de cuisson plus longues.
- **La tension d'alimentation est-elle inférieure à celle indiquée dans "Sécurité de l'ensemble four à micro-ondes/hotte"?**
Faire vérifier le système électrique du domicile par un électricien qualifié.

Interférences avec la radio, un téléviseur ou un téléphone sans fil

■ La radio ou le téléviseur se trouve-t-il/elle près du four à micro-ondes?

Éloigner l'appareil du four à micro-ondes ou ajuster l'antenne de la radio ou du téléviseur.

■ La porte du four à micro-ondes et les surfaces d'étanchéité sont-elles propres?

S'assurer que ces zones sont propres.

■ Le téléphone sans fil est-il de fréquence 2,4 GHz?

Certains téléphones sans fil de 2,4 GHz et certains réseaux domestiques sans fil peuvent subir des parasites ou des bruits lorsque le four à micro-ondes est en marche. Utiliser un téléphone avec fil, un téléphone sans fil avec une fréquence différente ou éviter d'utiliser ces articles pendant le fonctionnement du four à micro-ondes.

ASSISTANCE OU SERVICE

Avant de faire un appel pour assistance ou service, consulter la section "Dépannage". Ceci peut vous faire économiser le coût d'une visite de service. Si vous avez encore besoin d'aide, suivre les instructions ci-dessous.

Lors d'un appel, veuillez connaître la date d'achat, le numéro de modèle et le numéro de série au complet de l'appareil. Ces renseignements nous aideront à mieux répondre à votre demande.

Si vous avez besoin de pièces de rechange

Si vous avez besoin de commander des pièces de rechange, nous vous recommandons d'employer uniquement des pièces de rechange spécifiées par l'usine. Les pièces de rechange spécifiées par l'usine conviendront et fonctionneront bien parce qu'elles sont fabriquées avec la même précision utilisée dans la fabrication de chaque nouvel appareil.

Pour obtenir des pièces de rechange spécifiées par l'usine dans votre région, nous contacter ou appeler le Centre de service désigné le plus proche.

Pour les accessoires aux États-Unis, vous pouvez visiter notre site Web à www.whirlpool.com/owners ou appelez-nous au **1-800-253-1301**. Au Canada, visitez notre site Web à www.whirlpool.ca/owners ou appelez-nous au **1-800-807-6777**.

Nos consultants vous renseigneront sur les sujets suivants :

- Caractéristiques et spécifications sur toute notre gamme d'appareils électroménagers.
- Consignes d'utilisation et d'entretien.
- Vente d'accessoires et de pièces de rechange.
- Références aux marchands locaux, aux distributeurs de pièces de rechange et aux compagnies de service. Les techniciens de service sont formés pour remplir la garantie des produits et fournir un service après la garantie, partout au Canada.

Pour plus d'assistance

Si vous avez besoin de plus d'assistance, vous pouvez soumettre par écrit toute question ou préoccupation à l'adresse suivante :

Aux É.-U. :

Whirlpool Brand Home Appliances
Centre pour l'eXpérience de la clientèle
553 Benson Road
Benton Harbor, MI 49022-2692

Au Canada :

Whirlpool Brand Home Appliances
Centre pour l'eXpérience de la clientèle
200 - 6750 Century Ave.
Mississauga, Ontario L5N 0B7

Veillez inclure dans votre correspondance un numéro de téléphone où on peut vous joindre dans la journée.

Pièces de rechange

Plateau rotatif en verre
Numéro de pièce W10618210

Support du plateau rotatif et
roulettes
Numéro de pièce W10618211

Axe du plateau rotatif
Numéro de pièce W10618212

Écran mobile
Numéro de pièce W10618218

Ampoule halogène de 25 W
Numéro de pièce W10618217

Filtre à graisse
Numéro de pièce W10618216

Accessoires

On peut commander et installer un ensemble de filtre à charbon si le four à micro-ondes est programmé pour une ventilation avec recyclage. L'ensemble comprend un filtre à charbon et deux tiges métalliques. Il est conçu pour être fixé sur le filtre à graisse.
Pièce numéro W10610033

On peut commander et installer un ensemble de panneau en acier inoxydable au-dessus de la partie avant du four à micro-ondes pour couvrir le compartiment du composant supérieur. L'ensemble comprend un panneau en acier inoxydable et trois vis de montage.
Pièce numéro W11170104

Accessoires de nettoyage

Nettoyant pour appareils
ménagers de cuisine affresh®
Numéro de pièce W10355010B

Nettoyant pour acier inoxydable
affresh®
Numéro de pièce W10355016B

Chiffons pour acier inoxydable
affresh®
Numéro de pièce W10355049B

Produit de dégraissage pour
service intense
Numéro de pièce 31552A

GARANTIE LIMITÉE DES GROS APPAREILS MÉNAGERS WHIRLPOOL®

ATTACHEZ ICI VOTRE REÇU DE VENTE. UNE PREUVE D'ACHAT EST OBLIGATOIRE POUR OBTENIR L'APPLICATION DE LA GARANTIE.

Lorsque vous appelez le centre d'eXpérience de la clientèle, veuillez garder à disposition les renseignements suivants :

- Nom, adresse et numéro de téléphone
- Numéros de modèle et de série
- Une description claire et détaillée du problème rencontré
- Une preuve d'achat incluant le nom et l'adresse du marchand ou du détaillant

SI VOUS AVEZ BESOIN DE SERVICE :

1. Avant de nous contacter pour obtenir un dépannage, veuillez déterminer si des réparations sont nécessaires pour votre produit. Certains problèmes peuvent être résolus sans intervention de dépannage. Prenez quelques minutes pour parcourir la section Dépannage ou Résolution de problèmes du guide d'utilisation et d'entretien, ou rendez-vous sur le site <http://www.whirlpool.ca/owners>
2. Tout service sous garantie doit être effectué exclusivement par nos fournisseurs de dépannage autorisés Whirlpool. Aux É.-U. et au Canada, dirigez toutes vos demandes de service sous garantie au

Centre d'eXpérience de la clientèle Whirlpool

Aux É.-U., composer le 1-800-253-1301. Au Canada, composer le 1-800-807-6777.

Si vous résidez à l'extérieur du Canada et des 50 États des États-Unis, contactez votre marchand Whirlpool autorisé pour déterminer si une autre garantie s'applique.

GARANTIE LIMITÉE DE UN AN

CE QUI EST COUVERT

Pendant un an à compter de la date d'achat, lorsque ce gros appareil ménager est installé, utilisé et entretenu conformément aux instructions jointes à ou fournies avec le produit, Whirlpool Corporation ou Whirlpool Canada, LP (ci-après désignées "Whirlpool") décidera à sa seule discrétion de remplacer le produit ou de couvrir le coût des pièces spécifiées par l'usine et de la main-d'œuvre nécessaires pour corriger les vices de matériaux ou de fabrication qui existaient déjà lorsque ce gros appareil ménager a été acheté. S'il est remplacé, l'appareil sera couvert pour la période restant à courir de la garantie limitée d'un an du produit d'origine.

LE SEUL ET EXCLUSIF RECOURS DU CLIENT DANS LE CADRE DE LA PRÉSENTE GARANTIE LIMITÉE CONSISTE EN LA RÉPARATION PRÉVUE PAR LA PRÉSENTE. Le service doit être fourni par une compagnie de service désignée par Whirlpool. Cette garantie limitée est valide uniquement aux États-Unis ou au Canada et s'applique exclusivement lorsque le gros appareil ménager est utilisé dans le pays où il a été acheté. La présente garantie limitée est valable à compter de la date d'achat initial par le consommateur. Une preuve de la date d'achat initial est exigée pour obtenir un dépannage dans le cadre de la présente garantie limitée.

CE QUI N'EST PAS COUVERT

1. Usage commercial, non résidentiel ou par plusieurs familles, ou non-respect des instructions de l'utilisateur, de l'opérateur ou des instructions d'installation.
2. Visite d'instruction à domicile pour montrer à l'utilisateur comment utiliser l'appareil.
3. Visites de service pour rectifier une installation ou un entretien fautifs du produit, une installation non conforme aux codes d'électricité ou de plomberie, ou la rectification de l'installation électrique ou de la plomberie du domicile (ex : câblage électrique, fusibles ou tuyaux d'arrivée d'eau du domicile).
4. Pièces consommables (ex : ampoules, batteries, filtres à air ou à eau, solutions de conservation, etc.).
5. Défauts ou dommage résultant de l'utilisation de pièces ou accessoires Whirlpool non authentiques.
6. Conversion de votre produit du gaz naturel ou du gaz propane.
7. Dommages causés par : accident, mésusage, abus, incendie, inondations, catastrophe naturelle ou l'utilisation de produits non approuvés par Whirlpool.
8. Réparations aux pièces ou systèmes dans le but de rectifier un dommage ou des défauts résultant d'une réparation, altération ou modification non autorisée faite à l'appareil.
9. Défauts d'apparence, notamment les éraflures, traces de choc, fissures ou tout autre dommage subi par le fini de l'appareil ménager, à moins que ces dommages ne résultent de vices de matériaux ou de fabrication et ne soient signalés à Whirlpool dans les 30 jours suivant la date d'achat.
10. Décoloration, rouille ou oxydation des surfaces résultant d'environnements caustiques ou corrosifs incluant des concentrations élevées de sel, un haut degré d'humidité ou une exposition à des produits chimiques (exemples non exhaustifs).
11. Perte d'aliments ou de médicaments due à la défaillance du produit.
12. Enlèvement ou livraison. Ce produit est conçu pour être réparé à l'intérieur du domicile.
13. Frais de déplacement et de transport pour le dépannage/la réparation dans une région éloignée où une compagnie de service Whirlpool autorisée n'est pas disponible.
14. Retrait ou réinstallation d'appareils inaccessibles ou de dispositifs préinstallés (ex : garnitures, panneaux décoratifs, plancher, meubles, îlots de cuisine, plans de travail, panneaux de gypse, etc.) qui entravent le dépannage, le retrait ou le remplacement du produit.
15. Service et pièces pour des appareils dont les numéros de série et de modèle originaux ont été enlevés, modifiés ou ne peuvent pas être facilement identifiés.

Le coût d'une réparation ou d'un remplacement dans le cadre de ces circonstances exclues est à la charge du client.

CLAUSE D'EXONÉRATION DE RESPONSABILITÉ AU TITRE DES GARANTIES IMPLICITES

LES GARANTIES IMPLICITES, Y COMPRIS LES GARANTIES APPLICABLES DE QUALITÉ MARCHANDE OU D'APTITUDE À UN USAGE PARTICULIER, SONT LIMITÉES À UN AN OU À LA PLUS COURTE PÉRIODE AUTORISÉE PAR LA LOI. Certains États et certaines provinces ne permettent pas de limitation sur la durée des garanties implicites de qualité marchande ou d'aptitude à un usage particulier, de sorte que la limitation ci-dessus peut ne pas être applicable dans votre cas. Cette garantie vous confère des droits juridiques spécifiques et vous pouvez également jouir d'autres droits qui peuvent varier d'une juridiction à l'autre.

EXONÉRATION DE RESPONSABILITÉ DANS LES DOMAINES NON COUVERTS PAR LA GARANTIE

Whirlpool décline toute responsabilité au titre de la qualité, de la durabilité ou en cas de dépannage ou de réparation nécessaire sur ce gros appareil ménager autre que les responsabilités énoncées dans la présente garantie. Si vous souhaitez une garantie plus étendue ou plus complète que la garantie limitée fournie avec ce gros appareil ménager, adressez-vous à Whirlpool ou à votre détaillant pour obtenir les modalités d'achat d'une garantie étendue.

LIMITATION DES RECOURS; EXCLUSION DES DOMMAGES FORTUITS OU INDIRECTS

LE SEUL ET EXCLUSIF RECOURS DU CLIENT DANS LE CADRE DE LA PRÉSENTE GARANTIE LIMITÉE CONSISTE EN LA RÉPARATION PRÉVUE PAR LA PRÉSENTE. WHIRLPOOL N'ASSUME AUCUNE RESPONSABILITÉ POUR LES DOMMAGES FORTUITS OU INDIRECTS. Certains États et certaines provinces ne permettent pas l'exclusion ou la limitation des dommages fortuits ou indirects de sorte que ces limitations et exclusions peuvent ne pas être applicables dans votre cas. Cette garantie vous confère des droits juridiques spécifiques et vous pouvez également jouir d'autres droits qui peuvent varier d'une juridiction à l'autre.

11/14