

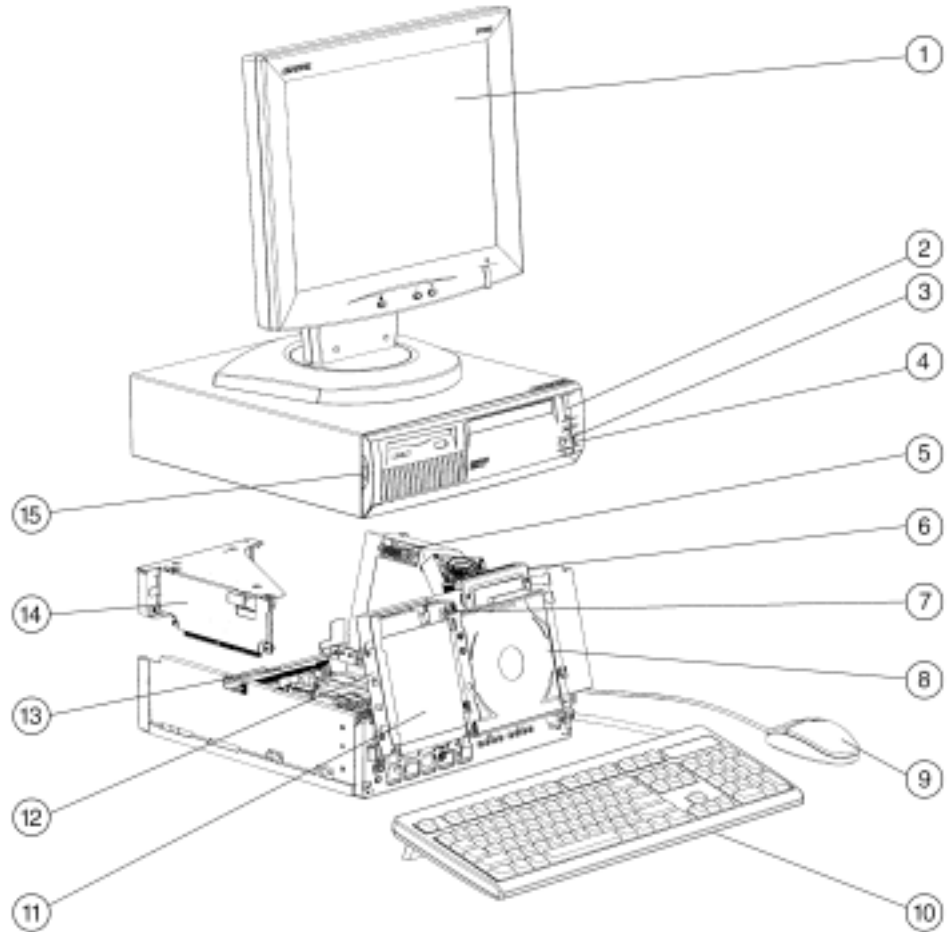
QUICKSPECS

Compaq Deskpro EN Series
Small Form Factor

Overview

AT A GLANCE

- 66 or 100-MHz Front-Side Bus models
- Intel Pentium® III processors (100 MHz) 450, 500, 550 or 600 MHz
- Intel Pentium II processors (100 MHz) 400 or 450 MHz
- Intel Celeron™ processors (66 MHz) 466 or 500 MHz
- Compact form factor enables easy deployment in small office space environments
- Compaq Premier•Sound™
- Compaq Intelligent Manageability
- Service-friendly design, including Quick Release Cover Latches, Tilt Drive Cage and Slide-Out System Board
- Energy Star compliant with energy-saving features
- Windows 95, Windows 98, or Windows NT 4.0 pre-installed (model dependent)
- Protected by Compaq Services, including a three-year, Limited Warranty¹



- | | |
|---|--|
| 1. TFT5000 Flat Panel Color Monitor ² (optional) | 8. 24X Max ³ Slimline CD-ROM Drive (optional) |
| 2. Power Button | 9. Mouse |
| 3. Microphone Jack | 10. Keyboard |
| 4. Headphone Jack | 11. 1.44-MB Diskette Drive |
| 5. Easy Access Power Supply | 12. Tilt Drive Cage |
| 6. SMART III Ultra ATA Hard Drive | 13. Slide-Out System Board |
| 7. Drive Release Latch | 14. Removable Expansion Card Cage |
| | 15. Quick Release Cover Latch |

QUICK SPECS

Compaq Deskpro EN Series
Small Form Factor

Standard Features

MODELS (continued)

Deskpro EN Series Small Form Factor

(continued)

P500/810e/6.4/64/O/N/4
153901-xx2

P500/810e/6.4/64/O/N/W95/98
153901-xx4

P500/10.0/128/C/N/4
129280-xx2

P500/10.0/64/C/N/4
314450-xx5

P500/10.0/64/O/N/4
314450-xx4

P500/6.4/64/O/M/4
31445x-xx6

P500/10.0/128/C/N/5
129280-xx3

P500/10.0/64/C/N/5
31445x-xx3

P500/10.0/64/O/N/5
31445x-xx2

P500/6.4/64/O/N/5
31445x-xx8

P450+/810e/6.4/64/C/N/4
153900-xx3

P450+/810e/6.4/64/C/N/W95/98
153900-xx5

P450+/810e/6.4/64/O/N/4
153900-xx2

P450+/810e/6.4/64/O/N/W95/98
153900-xx4

P450+/10.0/64/C/N/4
129279-xx2

P450+/10.0/64/O/N/4
31443x-xx4

P450+/6.4/64/O/N/4
31443x-xx6

P450+/10.0/64/C/N/5
129279-xx3

P450+/10.0/64/O/N/5
31443x-xx2

(continued next page)

(continued next page)

Front Side Bus

100-MHz models

P600/10.0+/128/C/N/4
P600/10.0+/128/C/N/8
P600/10.0+/128/C/N/5
P600/10.0+/64/C/N/4
P600/10.0+/64/C/N/5
P600/10.0+/64/O/N/4
P600/10.0+/64/O/N/5
P550/10.0+/128/C/N/4
P550/10.0+/128/O/N/4
P550/10.0+/128/C/N/8
P550/10.0+/128/C/N/5
P550/10.0+/128/O/N/5
P550/10.0+/64/C/N/8
P550/6.4/64/C/N/4
P550/6.4/64/O/N/4
P550/6.4/64/C/N/8
P550/6.4/64/O/N/5
P550/6.4/64/C/N/5

P500+/810e/6.4/64/C/N/4
P500+/810e/6.4/64/C/N/W95/98
P500+/810e/6.4/64/O/N/4
P500+/810e/6.4/64/O/N/W95/98
P500/10.0/128/C/N/4
P500/10.0/64/C/N/4
P500/10.0/64/O/N/4
P500/6.4/64/O/N/4
P500/10.0/128/C/N/5
P500/10.0/64/C/N/5
P500/10.0/64/O/N/5
P500/6.4/64/O/N/5
P450+/810e/6.4/64/C/N/4
P450+/810e/6.4/64/C/N/W95/98
P450+/810e/6.4/64/O/N/4
P450+/810e/6.4/64/O/N/W95/98
P450+/10.0/64/C/N/4
P450+/10.0/64/O/N/4

P450+/6.4/64/O/N/4
P450+/10.0/64/C/N/5
P450+/10.0/64/O/N/5
P450+/6.4/64/O/N/5
P450/6.4/64/C/N/4
P450/6.4/64/O/N/4
P450/6.4/64/C/N/5
P450/6.4/64/O/N/5
P400/10.0/64/C/N/4
P400/6.4/64/C/N/4
P400/6.4/64/O/N/4
P400/10.0/64/C/N/8
P400/10.0/64/C/N/5
P400/6.4/64/C/N/5
P400/6.4/64/O/N/5
P400/6.4/32/C/N/5
P400/6.4/32/O/N/5

66-MHz models

C500/810/6.4/64/C/N/4
C500/810/6.4/64/C/N/8
C500/810/6.4/64/C/N/5
C500/810/6.4/64/O/N/4
C500/810/6.4/64/O/N/8
C500/810/6.4/64/O/N/5
C500/810/4.3/64/C/N/4
C500/810/4.3/64/C/N/8
C500/810/4.3/64/C/N/5
C500/810/4.3/32/O/N/5

C466/810/6.4/64/C/N/4
C466/810/6.4/64/C/N/8
C466/810/6.4/64/C/N/5
C466/810/6.4/64/O/N/4
C466/810/6.4/64/O/N/8
C466/810/6.4/64/O/N/5
C466/810/4.3/64/C/N/4
C466/810/4.3/64/C/N/8
C466/810/4.3/64/C/N/5
C466/810/4.3/32/O/N/5

Processor

Intel Pentium III processor 600 MHz

P600/10.0+/128/C/N/4
P600/10.0+/128/C/N/8
P600/10.0+/128/C/N/5
P600/10.0+/64/C/N/4
P600/10.0+/64/C/N/5
P600/10.0+/64/O/N/4
P600/10.0+/64/O/N/5

Intel Pentium III processor 550 MHz

P550/10.0+/128/C/N/4
P550/10.0+/128/O/N/4
P550/10.0+/128/C/N/8
P550/10.0+/128/C/N/5
P550/10.0+/128/O/N/5
P550/10.0+/64/C/N/8
P550/6.4/64/C/N/4
P550/6.4/64/O/N/4
P550/6.4/64/C/N/8
P550/6.4/64/C/N/5
P550/6.4/64/O/N/5

Intel Pentium III processor 500 MHz

P500/810e/6.4/64/C/N/4
P500/810e/6.4/64/C/N/W95/98
P500/810e/6.4/64/O/N/4
P500/810e/6.4/64/O/N/W95/98
P500/10.0/128/C/N/4
P500/10.0/128/C/N/5
P500/10.0/64/C/N/4
P500/10.0/64/O/N/4
P500/10.0/64/C/N/5
P500/10.0/64/O/N/5
P500/6.4/64/O/N/4
P500/6.4/64/O/N/5

Processor (continued)

Intel Pentium III processor 450 MHz

P450+/810e/6.4/64/C/N/4
P450+/810e/6.4/64/C/N/W95/98
P450+/810e/6.4/64/O/N/4
P450+/810e/6.4/64/O/N/W95/98
P450+/10.0/64/C/N/4
P450+/10.0/64/C/N/5
P450+/10.0/64/O/N/4
P450+/10.0/64/O/N/5
P450+/6.4/64/O/N/4
P450+/6.4/64/O/N/5

Standard Features

MODELS (continued)

Deskpro EN Series Small Form Factor (continued)

P450+/6.4/64/O/N/5
31443x-xx7

P450/6.4/64/C/N/4
31407x-xx5

P450/6.4/64/O/N/4
31407x-xx4

P450/6.4/64/C/N/5
31407x-xx3

P450/6.4/64/O/N/5
31407x-xx2

P400/10.0/64/C/N/4
116118-002

P400/6.4/64/C/N/4
31406x-xx5

P400/6.4/64/O/N/4
31406x-xx4

P400/10.0/64/C/N/8
116118-001

P400/10.0/64/C/N/5
103147-003

P400/6.4/64/C/N/5
400343-xx3

P400/6.4/64/O/N/5
400347-xx2

P400/6.4/32/C/N/5
31406x-xx3

P400/6.4/32/O/N/5
31406x-xx2

C400/6.4/64/C/N/4
125630-xx2

C500/810/6.4/64/C/N/4
1444789-xx4

C500/810/6.4/64/C/N/8
144479-xx3

C500/810/6.4/64/C/N/5
144479-xx2

C500/810/6.4/64/O/N/4
144478-xx4

C500/810/6.4/64/O/N/8
144478-xx3

(continued next page)

Intel Pentium II processor 450 MHz

P450/6.4/64/C/N/4
P450/6.4/64/O/N/4
P450/6.4/64/C/N/5
P450/6.4/64/O/N/5

Intel Pentium II processor 400 MHz

P400/10.0/64/C/N/4	P400/6.4/64/O/N/4
P400/10.0/64/C/N/8	P400/6.4/64/O/N/5
P400/10.0/64/C/N/5	P400/6.4/32/C/N/5
P400/6.4/64/C/N/4	P400/6.4/32/O/N/5
P400/6.4/64/C/N/5	

Intel Celeron processor 500 MHz

C500/810/6.4/64/C/N/4	C500/810/4.3/64/C/N/4
C500/810/6.4/64/C/N/8	C500/810/4.3/64/C/N/8
C500/810/6.4/64/C/N/5	C500/810/4.3/64/C/N/5
C500/810/6.4/64/O/N/4	C500/810/4.3/32/O/N/5
C500/810/6.4/64/O/N/8	
C500/810/6.4/64/O/N/5	

Intel Celeron processor 466 MHz

C466/810/6.4/64/C/N/4	C466/810/4.3/64/C/N/4
C466/810/6.4/64/C/N/8	C466/810/4.3/64/C/N/8
C466/810/6.4/64/C/N/5	C466/810/4.3/64/C/N/5
C466/810/6.4/64/O/N/4	C466/810/4.3/32/O/N/5
C466/810/6.4/64/O/N/8	
C466/810/6.4/64/O/N/5	

Cache Memory

512-KB L-2 cache

P600/10.0+/128/C/N/4	P500/10.0/128/C/N/4	P450/6.4/64/C/N/4
P600/10.0+/128/C/N/8	P500/10.0/64/C/N/4	P450/6.4/64/O/N/4
P600/10.0+/128/C/N/5	P500/10.0/64/O/N/4	P450/6.4/64/C/N/5
P600/10.0+/64/C/N/4	P500/6.4/64/O/N/4	P450/6.4/64/O/N/5
P600/10.0+/64/C/N/5	P500/10.0/128/C/N/5	P400/10.0/64/C/N/4
P600/10.0+/64/O/N/4	P500/10.0/64/C/N/5	P400/6.4/64/C/N/4
P600/10.0+/64/O/N/5	P500/10.0/64/O/N/5	P400/6.4/64/O/N/4
P550/10.0+/128/C/N/4	P500/6.4/64/O/N/5	P400/10.0/64/C/N/8
P550/10.0+/128/O/N/4	P450+/810e/6.4/64/C/N/4	P400/10.0/64/C/N/5
P550/10.0+/128/C/N/8	P450+/810e/6.4/64/C/N/W95/98	P400/6.4/64/C/N/5
P550/10.0+/128/C/N/5	P450+/810e/6.4/64/O/N/4	P400/6.4/64/O/N/5
P550/10.0+/128/O/N/5	P450+/810e/6.4/64/O/N/W95/98	P400/6.4/32/C/N/5
P550/10.0+/64/C/N/8	P450+/10.0/64/C/N/4	P400/6.4/32/O/N/5
P550/6.4/64/C/N/4	P450+/10.0/64/O/N/4	
P550/6.4/64/O/N/4	P450+/6.4/64/O/N/4	
P550/6.4/64/C/N/8	P450+/10.0/64/C/N/5	
P550/6.4/64/C/N/5	P450+/10.0/64/O/N/5	
P550/6.4/64/O/N/5	P450+/6.4/64/O/N/5	
P500+/810e/6.4/64/C/N/4		
P500+/810e/6.4/64/C/N/W95/98		
P500+/810e/6.4/64/O/N/4		
P500+/810e/6.4/64/O/N/W95/98		

Standard Features

The L-2 cache on the Celeron models is attached to the processor core and runs at the same core processor frequency, providing more efficient productivity and performance.

128-KB L-2 cache, not upgradable

C500/810/6.4/64/C/N/4	C466/810/6.4/64/C/N/4
C500/810/6.4/64/C/N/8	C466/810/6.4/64/C/N/8
C500/810/6.4/64/C/N/5	C466/810/6.4/64/C/N/5
C500/810/6.4/64/O/N/4	C466/810/6.4/64/O/N/4
C500/810/6.4/64/O/N/8	C466/810/6.4/64/O/N/8
C500/810/6.4/64/O/N/5	C466/810/6.4/64/O/N/5
C500/810/4.3/64/C/N/4	C466/810/4.3/64/C/N/4
C500/810/4.3/64/C/N/8	C466/810/4.3/64/C/N/8
C500/810/4.3/64/C/N/5	C466/810/4.3/64/C/N/5
C500/810/4.3/32/O/N/5	C466/810/4.3/32/O/N/5

Upgradability

Allows for upgrade of processor, memory, graphics and hard drives

QUICKSPECS

Compaq Deskpro EN Series
Small Form Factor

Standard Features

MODELS (continued)

Deskpro EN Series Small Form Factor (continued)

C500/810/6.4/64/O/N/5
144478-xx2

C500/810/4.3/64/C/N/4
144479-xx7

C500/810/4.3/64/C/N/8
144479-xx6

C500/810/4.3/64/C/N/5
144479-xx5

C500/810/4.3/64/O/N/5
144478-xx5

C466/810/6.4/64/C/N/4
120241-xx4

C466/810/6.4/64/C/N/8
120241-xx3

C466/810/6.4/64/C/N/5
120241-xx2

C466/810/6.4/64/O/N/4
131015-xx4

C466/810/6.4/64/O/N/8
131015-xx3

C466/810/6.4/64/O/N/5
131015-xx2

C466/810/4.3/64/C/N/4
120241-xx7

C466/810/4.3/64/C/N/8
120241-xx6

C466/810/4.3/64/C/N/5
120241-xx5

C466/810/4.3/32/O/N/5
131015-xx5

Memory⁴

Standard	128 MB		
Maximum	512 MB		
P600/10.0+/128/C/N/4		P550/10.0+/128/C/N/4	P550/10.0+/128/O/N/5
P600/10.0+/128/C/N/8		P550/10.0+/128/C/N/8	P550/10.0+/128/O/N/4
P600/10.0+/128/C/N/5		P550/10.0+/128/C/N/5	P500/10.0+/128/C/N/4
			P500/10.0+/128/C/N/5

Standard	64 MB		
Maximum	512 MB		
P600/10.0+/64/C/N/4		P450+/810e/6.4/64/C/N/4	C500/810/6.4/64/C/N/4
P600/10.0+/64/C/N/5		P450+/810e/6.4/64/C/N/W95/98	C500/810/6.4/64/C/N/8
P600/10.0+/64/O/N/4		P450+/810e/6.4/64/O/N/4	C500/810/6.4/64/C/N/5
P600/10.0+/64/O/N/5		P450+/810e/6.4/64/O/N/W95/98	C500/810/6.4/64/O/N/4
P550/10.0+/64/C/N/8		P450+/10.0/64/C/N/4	C500/810/6.4/64/O/N/8
P550/6.4/64/C/N/4		P450+/10.0/64/O/N/4	C500/810/6.4/64/O/N/5
P550/6.4/64/O/N/4		P450+/6.4/64/O/N/4	C500/810/4.3/64/C/N/4
P550/6.4/64/C/N/8		P450+/10.0/64/C/N/5	C500/810/4.3/64/C/N/8
P550/6.4/64/C/N/5		P450+/10.0/64/O/N/5	C500/810/4.3/64/C/N/5
P550/6.4/64/O/N/5		P450+/6.4/64/O/N/5	C466/810/6.4/64/C/N/4
P500+/810e/6.4/64/C/N/4		P450/6.4/64/C/N/4	C466/810/6.4/64/C/N/8
P500+/810e/6.4/64/C/N/W95/98		P450/6.4/64/O/N/4	C466/810/6.4/64/C/N/5
P500+/810e/6.4/64/O/N/4		P450/6.4/64/C/N/5	C466/810/6.4/64/O/N/4
P500+/810e/6.4/64/O/N/W95/98		P450/6.4/64/O/N/5	C466/810/6.4/64/O/N/8
P500/10.0/64/C/N/4		P400/10.0/64/C/N/4	C466/810/6.4/64/O/N/5
P500/10.0/64/C/N/5		P400/10.0/64/C/N/8	C466/810/4.3/64/C/N/4
P500/10.0/64/O/N/4		P400/10.0/64/C/N/5	C466/810/4.3/64/C/N/8
P500/10.0/64/O/N/5		P400/6.4/64/C/N/4	C466/810/4.3/64/C/N/5
P500/6.4/64/O/N/4		P400/6.4/64/O/N/4	
P500/6.4/64/O/N/5		P400/6.4/64/C/N/5	
		P400/6.4/64/O/N/5	

Standard	32 MB
Maximum	512 MB
P400/6.4/32/C/N/5	
P400/6.4/32/O/N/5	
C500/810/4.3/32/O/N/5	
C466/810/4.3/32/O/N/5	

Standard Features

Network Controller

Embedded Intel PRO/100+ Management Adapter

P600/10.0+/128/C/N/4	C500/810/6.4/64/C/N/4	C466/810/6.4/64/C/N/4
P600/10.0+/128/C/N/8	C500/810/6.4/64/O/N/4	C466/810/6.4/64/O/N/4
P600/10.0+/128/C/N/5	C500/810/6.4/64/C/N/8	C466/810/6.4/64/C/N/8
P600/10.0+/64/C/N/4	C500/810/6.4/64/O/N/8	C466/810/6.4/64/O/N/8
P600/10.0+/64/O/N/4	C500/810/6.4/64/C/N/5	C466/810/6.4/64/C/N/5
P600/10.0+/64/C/N/5	C500/810/6.4/64/O/N/5	C466/810/6.4/64/O/N/5
P600/10.0+/64/O/N/5	C500/810/4.3/64/C/N/4	C466/810/4.3/64/C/N/4
	C500/810/4.3/64/C/N/8	C466/810/4.3/64/C/N/8
	C500/810/4.3/64/C/N/5	C466/810/4.3/64/C/N/5
	C500/810/4.3/32/O/N/5	C466/810/4.3/32/O/N/5

Embedded Compaq 10/100 TX PCI Intel WOL UTP Controller⁵

P550/10.0+/128/C/N/4	P500/10.0/128/C/N/4	P450/6.4/64/C/N/4
P550/10.0+/128/O/N/4	P500/10.0/64/C/N/4	P450/6.4/64/O/N/4
P550/10.0+/128/C/N/8	P500/10.0/64/O/N/4	P450/6.4/64/C/N/5
P550/10.0+/128/C/N/5	P500/6.4/64/O/N/4	P450/6.4/64/O/N/5
P550/10.0+/128/O/N/5	P500/10.0/128/C/N/5	P400/10.0/64/C/N/4
P550/10.0+/64/C/N/8	P500/10.0/64/C/N/5	P400/6.4/64/C/N/4
P550/6.4/64/C/N/4	P500/10.0/64/O/N/5	P400/6.4/64/O/N/4
P550/6.4/64/O/N/4	P500/6.4/64/O/N/5	P400/10.0/64/C/N/8
P550/6.4/64/C/N/8	P450+/10.0/64/C/N/4	P400/10.0/64/C/N/5
P550/6.4/64/C/N/5	P450+/10.0/64/O/N/4	P400/6.4/64/C/N/5
P550/6.4/64/O/N/5	P450+/6.4/64/O/N/4	P400/6.4/64/O/N/5
	P450+/10.0/64/C/N/5	P400/6.4/32/C/N/5
	P450+/10.0/64/O/N/5	P400/6.4/32/O/N/5
	P450+/6.4/64/O/N/5	

Expansion Slots⁶

PCI	1
PCI/ISA	1

Expansion Bays⁶

Internal	1
External	2

Standard Features

Storage

Diskette Drive 1.44 MB

CD-ROM Drive

24X Max³ Slimline CD-ROM Drive

P600/10.0+/128/C/N/4	P450+/810e/6.4/64/C/N/4	C500/810/6.4/64/C/N/4
P600/10.0+/128/C/N/8	P450+/810e/6.4/64/C/N/W95/98	C500/810/6.4/64/C/N/8
P600/10.0+/128/C/N/5	P450+/10.0/64/C/N/4	C500/810/6.4/64/C/N/5
P600/10.0+/64/C/N/4	P450+/10.0/64/C/N/5	C500/810/4.3/64/C/N/4
P600/10.0+/64/C/N/5	P450/6.4/64/C/N/4	C500/810/4.3/64/C/N/8
P550/10.0+/128/C/N/4	P450/6.4/64/C/N/5	C500/810/4.3/64/C/N/5
P550/10.0+/128/C/N/8	P400/10.0/64/C/N/4	C466/810/6.4/64/C/N/4
P550/10.0+/128/C/N/5	P400/6.4/64/C/N/4	C466/810/6.4/64/C/N/8
P550/10.0+/64/C/N/8	P400/10.0/64/C/N/8	C466/810/6.4/64/C/N/5
P550/6.4/64/C/N/4	P400/10.0/64/C/N/5	C466/810/4.3/64/C/N/4
P550/6.4/64/C/N/8	P400/6.4/64/C/N/5	C466/810/4.3/64/C/N/8
P550/6.4/64/C/N/5	P400/6.4/32/C/N/5	C466/810/4.3/64/C/N/5
P500/810e/6.4/64/C/N/4		C400/6.4/64/C/N/4
P500/810e/6.4/64/C/N/W95/98		C400/6.4/64/C/N/8
P500/10.0/128/C/N/4		C400/6.4/64/C/N/5
P500/10.0/64/C/N/4		C400/6.4/32/C/N/4
P500/10.0/128/C/N/5		C400/6.4/32/C/N/8
P500/10.0/64/C/N/5		C400/6.4/32/C/N/5

Hard Drives

10.0-GB⁷ 7200 rpm SMART III Ultra ATA

P600/10.0+/128/C/N/4
P600/10.0+/128/C/N/8
P600/10.0+/128/C/N/5
P600/10.0+/128/O/N/4
P600/10.0+/64/C/N/4
P600/10.0+/64/O/N/4
P600/10.0+/64/C/N/5
P600/10.0+/64/O/N/5

10.0-GB⁷ 5400 rpm SMART III Ultra ATA

P550/10.0+/128/C/N/4	P500/10.0/128/C/N/4	P450+/10.0/64/C/N/4
P550/10.0+/128/O/N/4	P500/10.0/64/C/N/4	P450+/10.0/64/O/N/4
P550/10.0+/128/C/N/8	P500/10.0/64/O/N/4	P450+/10.0/64/C/N/5
P550/10.0+/128/C/N/5	P500/10.0/128/C/N/5	P450+/10.0/64/O/N/5
P550/10.0+/128/O/N/5	P500/10.0/64/C/N/5	P400/10.0/64/C/N/4
P550/10.0+/64/C/N/8	P500/10.0/64/O/N/5	P400/10.0/64/C/N/8
		P400/10.0/64/C/N/5

6.4-GB⁷ 5400 rpm SMART III Ultra ATA 66

P533/810e/6.4/64/C/N/4	P450+/810e/6.4/64/C/N/4	C466/810/6.4/64/C/N/4
P533/810e/6.4/64/C/N/W95/98	P450+/810e/6.4/64/C/N/W95/98	C466/810/6.4/64/O/N/4
P533/810e/6.4/64/O/N/4	P450+/810e/6.4/64/O/N/4	C466/810/6.4/64/C/N/8
P533/810e/6.4/64/O/N/W95/98	P450+/810e/6.4/64/O/N/W95/98	C466/810/6.4/64/O/N/8
P500/810e/6.4/64/C/N/4	C500/810/6.4/64/C/N/4	C466/810/6.4/64/C/N/5
P500/810e/6.4/64/C/N/W95/98	C500/810/6.4/64/O/N/4	C466/810/6.4/64/O/N/5
P500/810e/6.4/64/O/N/4	C500/810/6.4/64/C/N/8	
P500/810e/6.4/64/O/N/W95/98	C500/810/6.4/64/O/N/8	
	C500/810/6.4/64/C/N/5	
	C500/810/6.4/64/O/N/5	

Standard Features

Storage (continued)

6.4-GB⁷ 5400 rpm SMART III Ultra ATA

P550/6.4/64/C/N/4	P450/6.4/64/C/N/4
P550/6.4/64/O/N/4	P450/6.4/64/O/N/4
P550/6.4/64/C/N/8	P450/6.4/64/C/N/5
P550/6.4/64/C/N/5	P450/6.4/64/O/N/5
P550/6.4/64/O/N/5	P400/6.4/64/C/N/4
P500/6.4/64/O/M/4	P400/6.4/64/O/N/4
P500/6.4/64/O/N/5	P400/6.4/64/C/N/5
P450+/6.4/64/O/N/4	P400/6.4/64/O/N/5
P450+/6.4/64/O/N/5	P400/6.4/32/C/N/5
	P400/6.4/32/O/N/5

4.3-GB⁷ 5400 rpm SMART III Ultra ATA 66

C500/810/4.3/64/C/N/4	C466/810/4.3/64/C/N/4
C500/810/4.3/64/C/N/8	C466/810/4.3/64/C/N/8
C500/810/4.3/64/C/N/5	C466/810/4.3/64/C/N/5
C500/810/4.3/32/O/N/5	C466/810/4.3/32/O/N/5

Interfaces

Parallel	1
Serial	2
Pointing Device (Mouse)	1
Graphics	1
RJ-45	1
Keyboard	1
USB	2

Graphics

Integrated Intel 3D Graphics featuring Intel Dynamic Video Memory (DVM) technology with 8-MB video memory equivalent performance, providing maximum resolution of 1280 x 1024 with 16.7M colors 85 Hz

P500/810e/6.4/64/C/N/4	C500/810/6.4/64/C/N/4	C466/810/6.4/64/C/N/4
P500/810e/6.4/64/C/N/W95/98	C500/810/6.4/64/O/N/4	C466/810/6.4/64/O/N/4
P500/810e/6.4/64/O/N/4	C500/810/6.4/64/C/N/8	C466/810/6.4/64/C/N/8
P500/810e/6.4/64/O/N/W95/98	C500/810/6.4/64/O/N/8	C466/810/6.4/64/O/N/8
P450+/810e/6.4/64/C/N/4	C500/810/6.4/64/C/N/5	C466/810/6.4/64/C/N/5
P450+/810e/6.4/64/C/N/W95/98	C500/810/6.4/64/O/N/5	C466/810/6.4/64/O/N/5
P450+/810e/6.4/64/O/N/4	C500/810/4.3/64/C/N/4	C466/810/4.3/64/C/N/4
P450+/810e/6.4/64/O/N/W95/98	C500/810/4.3/64/C/N/8	C466/810/4.3/64/C/N/8
	C500/810/4.3/64/C/N/5	C466/810/4.3/64/C/N/5
	C500/810/4.3/32/O/N/5	C466/810/4.3/32/O/N/5

Standard Features

Graphics (continued)

Embedded ATI RAGE PRO TURBO AGP 2X 64-bit Graphics Controller with 4-MB SGRAM upgradable to 8 MB, providing maximum resolution of 1280 x 1024 x 16.7M colors at 85 Hz

P600/10.0+/128/C/N/4	P550/6.4/64/O/N/4	P450/6.4/64/C/N/4
P600/10.0+/128/C/N/8	P550/6.4/64/O/N/5	P450/6.4/64/O/N/4
P600/10.0+/128/C/N/5	P500/10.0/128/C/N/4	P450/6.4/64/C/N/5
P600/10.0+/64/C/N/4	P500/10.0/128/C/N/5	P450/6.4/64/O/N/5
P600/10.0+/64/C/N/5	P500/10.0/64/C/N/4	P400/10.0/64/C/N/4
P600/10.0+/64/O/N/4	P500/10.0/64/O/N/4	P400/10.0/64/C/N/8
P600/10.0+/64/O/N/5	P500/10.0/64/C/N/5	P400/10.0/64/C/N/5
P550/10.0+/128/C/N/4	P500/10.0/64/O/N/5	P400/6.4/64/C/N/4
P550/10.0+/128/O/N/4	P500/6.4/64/O/N/4	P400/6.4/64/O/N/4
P550/10.0+/128/C/N/8	P500/6.4/64/O/N/5	P400/6.4/64/C/N/5
P550/10.0+/128/C/N/5	P450+/10.0/64/C/N/4	P400/6.4/64/O/N/5
P550/10.0+/128/O/N/5	P450+/10.0/64/C/N/5	P400/6.4/32/C/N/5
P550/10.0+/64/C/N/8	P450+/10.0/64/O/N/4	P400/6.4/32/O/N/5
P550/6.4/64/C/N/4	P450+/10.0/64/O/N/5	
P550/6.4/64/C/N/8	P450+/6.4/64/O/N/4	
P550/6.4/64/C/N/5	P450+/6.4/64/O/N/5	

Audio

AC97 (integrated) with Compaq Premier•Sound, input/output jacks, internal speakers

P500/810e/6.4/64/C/N/4	C500/810/6.4/64/C/N/4	C466/810/6.4/64/C/N/4
P500/810e/6.4/64/C/N/W95/98	C500/810/6.4/64/O/N/4	C466/810/6.4/64/O/N/4
P500/810e/6.4/64/O/N/4	C500/810/6.4/64/C/N/8	C466/810/6.4/64/C/N/8
P500/810e/6.4/64/O/N/W95/98	C500/810/6.4/64/O/N/8	C466/810/6.4/64/O/N/8
P450+/810e/6.4/64/C/N/4	C500/810/6.4/64/C/N/5	C466/810/6.4/64/C/N/5
P450+/810e/6.4/64/C/N/W95/98	C500/810/6.4/64/O/N/5	C466/810/6.4/64/O/N/5
P450+/810e/6.4/64/O/N/4	C500/810/4.3/64/C/N/4	C466/810/4.3/64/C/N/4
P450+/810e/6.4/64/O/N/W95/98	C500/810/4.3/64/C/N/8	C466/810/4.3/64/C/N/8
	C500/810/4.3/64/C/N/5	C466/810/4.3/64/C/N/5
	C500/810/4.3/32/O/N/5	C466/810/4.3/32/O/N/5

Embedded Compaq Premier•Sound using ESS 1869 16-bit Full-Duplex audio, line-in, line-out jacks, internal speaker

P600/10.0+/128/C/N/4	P550/6.4/64/O/N/4	P450/6.4/64/C/N/4
P600/10.0+/128/C/N/8	P550/6.4/64/O/N/5	P450/6.4/64/O/N/4
P600/10.0+/128/C/N/5	P500/10.0/128/C/N/4	P450/6.4/64/C/N/5
P600/10.0+/64/C/N/4	P500/10.0/128/C/N/5	P450/6.4/64/O/N/5
P600/10.0+/64/C/N/5	P500/10.0/64/C/N/4	P400/10.0/64/C/N/4
P600/10.0+/64/O/N/4	P500/10.0/64/O/N/4	P400/10.0/64/C/N/8
P600/10.0+/64/O/N/5	P500/10.0/64/C/N/5	P400/10.0/64/C/N/5
P550/10.0+/128/C/N/4	P500/10.0/64/O/N/5	P400/6.4/64/C/N/4
P550/10.0+/128/O/N/4	P500/6.4/64/O/N/4	P400/6.4/64/O/N/4
P550/10.0+/128/C/N/8	P500/6.4/64/O/N/5	P400/6.4/64/C/N/5
P550/10.0+/128/C/N/5	P450+/10.0/64/C/N/4	P400/6.4/64/O/N/5
P550/10.0+/128/O/N/5	P450+/10.0/64/C/N/5	P400/6.4/32/C/N/5
P550/10.0+/64/C/N/8	P450+/10.0/64/O/N/4	P400/6.4/32/O/N/5
P550/6.4/64/C/N/4	P450+/10.0/64/O/N/5	
P550/6.4/64/C/N/8	P450+/6.4/64/O/N/4	
P550/6.4/64/C/N/5	P450+/6.4/64/O/N/5	

Form Factor

Small Form Factor provides flexibility of placement.

Standard Features

Software

Windows NT 4.0
Insight Personal Edition
Computer Setup Utility
Microsoft Internet Explorer
Safety and Comfort Guide
Diagnostics for Windows
Intelligent Manageability Agent

P600/10.0+/128/C/N/4
P600/10.0+/64/C/N/4
P600/10.0+/64/O/N/4
P550/10.0+/128/C/N/4
P550/10.0+/128/O/N/4
P550/10.0+/64/C/N/4
P550/10.0+/64/O/N/4
P500/810e/6.4/64/C/N/4
P500/810e/6.4/64/O/N/4
P500/10.0/64/C/N/4
P500/10.0/64/O/N/4
P500/6.4/64/O/N/4

P450+/810e/6.4/64/C/N/4
P450+/810e/6.4/64/O/N/4
P450+/10.0/64/C/N/4
P450+/10.0/64/O/N/4
P450+/6.4/64/O/N/4
P450/6.4/64/C/N/4
P450/6.4/64/O/N/4
P400/10.0/64/C/N/4
P400/6.4/64/C/N/4
P400/6.4/64/O/N/4

C500/810/6.4/64/C/N/4
C500/810/6.4/64/O/N/4
C500/810/4.3/64/C/N/4
C466/810/6.4/64/C/N/4
C466/810/6.4/64/O/N/4
C466/810/4.3/64/C/N/4

Windows 98
Insight Personal Edition
Computer Setup Utility
Safety and Comfort Guide
Diagnostics for Windows
Intelligent Manageability Agent

P600/10.0+/128/C/N/8
P550/10.0+/128/C/N/8
P550/10.0+/64/C/N/8
P550/6.4/64/C/N/8
P400/10.0/64/C/N/8

C500/810/6.4/64/C/N/8
C500/810/6.4/64/O/N/8
C500/810/4.3/64/C/N/8
C466/810/6.4/64/C/N/8
C466/810/6.4/64/O/N/8
C466/810/4.3/64/C/N/8

Windows 95
Insight Personal Edition
Computer Setup Utility
Microsoft Internet Explorer
Safety and Comfort Guide
Diagnostics for Windows
Intelligent Manageability Agent

P600/10.0+/128/C/N/5
P600/10.0+/64/C/N/5
P600/10.0+/64/O/N/5
P550/10.0+/128/C/N/5
P550/10.0+/128/O/N/5
P550/6.4/64/C/N/5
P550/6.4/64/O/N/5
P500/10.0/128/C/N/5
P500/10.0/64/C/N/5
P500/10.0/64/O/N/5
P500/6.4/64/O/N/5

P450+/10.0/64/C/N/5
P450+/10.0/64/O/N/5
P450+/6.4/64/O/N/5
P450/6.4/64/C/N/5
P450/6.4/64/O/N/5
P400/10.0/64/C/N/5
P400/6.4/64/C/N/5
P400/6.4/64/O/N/5
P400/6.4/32/C/N/5
P400/6.4/32/O/N/5

C500/810/6.4/64/C/N/5
C500/810/6.4/64/O/N/5
C500/810/4.3/64/C/N/5
C500/810/4.3/64/O/N/5
C466/810/6.4/64/C/N/5
C466/810/6.4/64/O/N/5
C466/810/4.3/64/C/N/5
C466/810/4.3/64/O/N/5

Standard Features

Software (continued)

Windows 95/98
Insight Personal Edition
Computer Setup Utility
Microsoft Internet Explorer
Safety and Comfort Guide
Diagnostics for Windows
Intelligent Manageability Agent
P500/810e/6.4/64/C/N/W95/98
P500/810e/6.4/64/O/N/W95/98
P450+/810e/6.4/64/C/N/W95/98
P450+/810e/6.4/64/O/N/W95/98

Intelligent Manageability

Compaq Intelligent Manageability, a key component of PC Lifecycle Solutions is the broad set of manageability features found on all Compaq Deskpro desktops, Armada portables, Professional Workstation, and ProLiant server products. These best-of-class features on PC clients comply with industry standards such as DMI and Wired for Management while pioneering new ground in client manageability. Compaq introduced the industry's first line of philosophy, enterprises have all of the pieces for end-to-end management and proven tools for hassle free management of PCs and significantly lower Total Cost of Ownership.

Intelligent Manageability offers solutions in the areas of Initial Configuration and Deployment, Asset Tracking and Security, Software Updating and Management, and Fault Notification and Recovery. For more information, visit our website: www.compaq.com/im.

Security

Setup Password
Memory Change Alert
Ownership Tag
QuickLock/QuickBlank
Power-On Password
Removable Media Boot Control
Removable Media Write Control
Serial Port Control
Parallel Port Control
USB Port Control
Network Server Mode

Standard Features

Power Supply

90 Watts, surge tolerant

P600/10.0+/128/C/N/4
P600/10.0+/128/C/N/8
P600/10.0+/128/C/N/5
P600/10.0+/64/C/N/4
P600/10.0+/64/C/N/5
P600/10.0+/64/O/N/4
P600/10.0+/64/O/N/5
P550/10.0+/128/C/N/4
P550/10.0+/128/O/N/4
P550/10.0+/128/C/N/8
P550/10.0+/128/O/N/5
P550/10.0+/64/C/N/8
P550/6.4/64/C/N/4
P550/6.4/64/C/N/8
P550/6.4/64/C/N/5

P550/6.4/64/O/N/4
P550/6.4/64/O/N/5
P500/10.0/128/C/N/4
P500/10.0/128/C/N/5
P500/10.0/64/C/N/4
P500/10.0/64/O/N/4
P500/10.0/64/C/N/5
P500/10.0/64/O/N/5
P500/6.4/64/O/N/4
P500/6.4/64/O/N/5
P450+/10.0/64/C/N/4
P450+/10.0/64/C/N/5
P450+/10.0/64/O/N/4
P450+/10.0/64/O/N/5
P450+/6.4/64/O/N/4
P450+/6.4/64/O/N/5

P450/6.4/64/C/N/4
P450/6.4/64/O/N/4
P450/6.4/64/C/N/5
P450/6.4/64/O/N/5
P400/10.0/64/C/N/4
P400/10.0/64/C/N/8
P400/10.0/64/C/N/5
P400/6.4/64/C/N/4
P400/6.4/64/O/N/4
P400/6.4/64/C/N/5
P400/6.4/64/O/N/5
P400/6.4/32/C/N/5
P400/6.4/32/O/N/5

120 Watts

P500/810e/6.4/64/C/N/4
P500/810e/6.4/64/C/N/W95/98
P500/810e/6.4/64/O/N/4
P500/810e/6.4/64/O/N/W95/98
P450+/810e/6.4/64/C/N/4
P450+/810e/6.4/64/C/N/W95/98
P450+/810e/6.4/64/O/N/4
P450+/810e/6.4/64/O/N/W95/98

C500/810/6.4/64/C/N/4
C500/810/6.4/64/C/N/8
C500/810/6.4/64/C/N/5
C500/810/6.4/64/O/N/4
C500/810/6.4/64/O/N/8
C500/810/6.4/64/O/N/5
C500/810/4.3/64/C/N/4
C500/810/4.3/64/C/N/8
C500/810/4.3/64/C/N/5
C500/810/4.3/32/O/N/5

C466/810/6.4/64/C/N/4
C466/810/6.4/64/C/N/8
C466/810/6.4/64/C/N/5
C466/810/6.4/64/O/N/4
C466/810/6.4/64/O/N/8
C466/810/6.4/64/O/N/5
C466/810/4.3/64/C/N/4
C466/810/4.3/64/C/N/8
C466/810/4.3/64/C/N/5
C466/810/4.3/32/O/N/5

Service and Support

Compaq Restore CD and operating system media are provided with every desktop for ease of reinstallation of original software image, if necessary. Protected by Compaq Services, including a three-year, Limited Warranty¹ with first-year on-site, toll-free 7 x 24 hardware technical phone support and online support through CompuServe, America Online and the Internet

Options

Memory⁸

100-MHz SDRAM DIMMs

SDRAM

256-MB Memory Kit (1 x 256-MB SDRAM DIMM, 100 MHz)	102306-B21
128-MB Memory Kit (1 x 128-MB SDRAM DIMM, 100 MHz)	166614-B21
64-MB Memory Kit (1 x 64-MB SDRAM DIMMs, 100 MHz)	166613-B21
32-MB Memory Kit (1 x 32-MB SDRAM DIMM, 100 MHz)	166612-B21

Bulk⁹

64-MB Memory Kit (1 x 64-MB SDRAM DIMM, 100 MHz)	294218-B21
32-MB Memory Kit (1 x 32-MB SDRAM DIMM, 100 MHz)	294216-B21

SDRAM ECC

128-MB Memory Kit (1 x 128-MB SDRAM ECC, 100 MHz)	166618-B21
64-MB Memory Kit (1 x 64-MB SDRAM ECC, 100 MHz)	166617-B21
32-MB Memory Kit (1 x 32-MB SDRAM ECC, 100 MHz)	166616-B21

Bulk⁹

64-MB Memory Kit (bulk) (1 x 64-MB SDRAM ECC, 100 MHz)	294219-B21
32-MB Memory Kit (bulk) (1 x 32-MB SDRAM ECC, 100 MHz)	294217-B21

Monitors²

TFT8000 Flat Panel	307906-001
TFT5000 Flat Panel	325700-001
P1610 Color	305708-001
P110 Color	325600-001
P75 Color	307806-001
V1000 Color	351757-001
V900 Color	303500-001
V700 Color	325800-001
V500 Color	325900-001
S900 Color	360562-001
S700 Color	360512-001

Graphics

4-MB 100-MHz SGRAM SODIMM (to support the ATI RAGE PRO TURBO AGP 2X)	294419-B21
Matrox Millennium G200 AGP Graphics Controller (with 8-MB SGRAM)	294308-B21
Matrox G200 PCI Card	124806-B21
Matrox G400 AGP Graphics Controller (with 16-MB SGRAM)	158358-B21
Matrox G200 DVI/DFP Daughter Card	124807-B21
Matrox G400 DVI Daughter Card	388557-xx1
8-MB 143-MHz R.92 SGRAM Video Memory Module (to support the Matrox Millennium G200 AGP graphics solution)	294417-B21

Removable Storage

Compaq SuperDisk (LS-120) 1X High-Capacity Floppy Drive Kit	185061-xx5
1.44 MB Floppy Disk Drive Kit	294164-xx1
ZIP 100 High-Capacity Floppy Drive Kit	294402-xx1
ZIP 100 Media 3-Pack Kit	127591-xx1
ZIP 250 High-Capacity Floppy Drive Kit	294416-xx1
TR5 10/20 GB IDE Tape Drive Kit	294243-B21

Optical Drives

24X Max ³ Slimline CD-ROM	294358-B21
24X Max ³ Slimline CD-ROM (Bulk)	294370-B21

Hard Drives

Ultra ATA Hard Drives

22.6-GB ⁷ 7200 rpm SMART III Ultra ATA 66 Hard Drive	120203-xx1
20-GB ⁷ 7200 rpm SMART III Ultra ATA 66 Hard Drive	124724-B21
13.5-GB ⁷ 7200 rpm SMART II Ultra ATA 66 Hard Drive	124723-xx1
10-GB ⁷ 7200 rpm SMART III Ultra ATA 66 Hard Drive	127452-xx1
10-GB ⁷ 5400 rpm SMART III Ultra ATA Hard Drive	387473-xx1
6.4-GB ⁷ 7200 rpm SMART III Ultra ATA 66 Hard Drive	124721-xx1
6.4-GB ⁷ 5400 rpm SMART III Ultra ATA Hard Drive	294244-xx1

QUICKSPECS

Compaq Deskpro EN Series
Small Form Factor

Options

Storage Controllers/Cables

Ultra ATA Cable Kit¹⁰ 294162-B21

Multimedia

Compaq Microphone Kit 103589-B21

Compaq Premier[®] Sound PS115 Speakers 133566-022

Compaq Premier[®] Sound PS110 Speakers 294372-001

Communications

Intel PRO/100+ Management Adapter 127453-B21

Compaq USB ISDN Adapter 321750-B31

Compaq Microcom 610 Internal ISDN Adapter 333056-B21

Compaq NC3121 Fast Ethernet NIC PCI 10/100 WOL 323551-B21

Compaq NC4621 Token Ring NIC PCI 4/16 WOL 379956-B21

Compaq 10 T PCI Intel UTP Controller 317356-B21

Compaq 10/100 TX PCI Intel UTP Controller 317600-B21

Compaq 16/4 TR ISA IBM UTP/STP Controller 301207-B21

Compaq Microcom 705 Corporate Communicator 294700-001

Compaq 56K¹¹ ISA Fax Modem 294900-002

Compaq 56K¹¹ PCI Fax Modem 321500-001

Compaq 56K¹¹ USB Fax Modem 322050-001

Compaq Microcom 510 56K¹¹ External Fax Modem 316906-002

Compaq Microcom 415 56K¹¹ External Fax Modem w/ Speakerphone 321108-002

Input/Output Devices

Compaq I/O Board 294293-xx1

Compaq Enhanced Space Saver Keyboard (opal) 166515-xx6

Compaq Enhanced Smart Card Keyboard 115504-xx6

Compaq Smart Card Keyboard 115506-xx6

Compaq 2-Button Mouse 143315-xx3

Compaq/Microsoft IntelliMouse 294306-B21

Fingerprint Identification Reader 294307-001

Compaq Technology Reader Smart Card Reader 113771-B21

Compaq Enhanced Smart Card Reader 113784-B21

Support Software CD

Annual Subscription 183426-xxx

Current Month (single CD-ROM) 272505-001

Hardware

System Mounting Bracket 288416-B21

Memory

BX chipset and 810 chipset

STANDARD MEMORY

32-MB DIMM Standard

Standard	Slot	
	1	2
32 MB	32 MB	Empty

STANDARD MEMORY PLUS

OPTIONAL MEMORY

Support for up to 160 MB of SDRAM DIMM memory is available with the installation of optional SDRAM Memory Kits.

Up To	Slot	
	1	2
160 MB	32 MB	128 MB

STANDARD MEMORY REPLACED

WITH OPTIONAL MEMORY

Support for up to 512 MB of SDRAM DIMM memory is available with the removal of the standard 32-MB DIMM and the installation of optional SDRAM Memory Kits.

Up To	Slot	
	1	2
512 MB	256 MB	256 MB

Note: It is not necessary to add memory in pairs or kits. Memory upgrades are accomplished by adding single or multiple DIMMs of the same or varied sizes. This chart does not represent all possible memory configurations.

Following are memory options available from Compaq for the Deskpro EN Small Form Factor Series:

66-MHz SDRAM DIMMs:

- 128-MB Memory Kit (1 x 128-MB SDRAM DIMM, 66 MHz) 270812-B21
- 64-MB Memory Kit (1 x 64-MB SDRAM DIMM, 66 MHz) 242805-B21
- 128-MB Memory Kit (1 x 128-MB SDRAM ECC DIMM, 66 MHz) 270843-B21
- 64-MB Memory Kit (1 x 64-MB SDRAM ECC DIMM, 66 MHz) 270842-B21

100-MHz SDRAM DIMMs:

- 128-MB Memory Kit (1 x 128-MB SDRAM DIMM, 100 MHz) 166614-B21
- 64-MB Memory Kit (1 x 64-MB SDRAM DIMM, 100 MHz) 166613-B21
- 32-MB Memory Kit (1 x 32-MB SDRAM DIMM, 100 MHz) 166612-B21
- 128-MB Memory Kit (1 x 128-MB SDRAM ECC, 100 MHz) 166618-B21
- 64-MB Memory Kit (1 x 64-MB SDRAM ECC, 100 MHz) 166617-B21
- 32-MB Memory Kit (1 x 32-MB SDRAM ECC, 100 MHz) 166616-B21

Memory

BX chipset , 810 chipset and 810e chipset

STANDARD MEMORY

64-MB DIMM Standard

	Standard	Slot
		1 2
64 MB		<div style="display: flex; justify-content: space-around;"> <div style="border: 1px solid black; padding: 2px;">64 MB</div> <div style="border: 1px solid black; padding: 2px;">Empty</div> </div>

STANDARD MEMORY PLUS

OPTIONAL MEMORY

Support for up to 320 MB of SDRAM DIMM memory is available with the installation of optional SDRAM DIMM Memory Kits.

	Up To	Slot
		1 2
320 MB		<div style="display: flex; justify-content: space-around;"> <div style="border: 1px solid black; padding: 2px;">64 MB</div> <div style="border: 1px solid black; padding: 2px;">256 MB</div> </div>

STANDARD MEMORY REPLACED

WITH OPTIONAL MEMORY

Support for up to 512 MB of SDRAM DIMM memory is available with the removal of the standard 64-MB DIMM and the installation of optional SDRAM Memory Kits.

	Up To	Slot
		1 2
512 MB		<div style="display: flex; justify-content: space-around;"> <div style="border: 1px solid black; padding: 2px;">256 MB</div> <div style="border: 1px solid black; padding: 2px;">256 MB</div> </div>

Note: It is not necessary to add memory in pairs or kits. Memory upgrades are accomplished by adding single or multiple DIMMs of the same or varied sizes. This chart does not represent all possible memory configurations.

Following are memory options available from Compaq for the Deskpro EN Small Form Factor Series:

100-MHz SDRAM DIMMs:

- 128-MB Memory Kit (1 x 128-MB SDRAM DIMM, 100 MHz) 166614-B21
- 64-MB Memory Kit (1 x 64-MB SDRAM DIMM, 100 MHz) 166613-B21
- 32-MB Memory Kit (1 x 32-MB SDRAM DIMM, 100 MHz) 166612-B21

100-MHz SDRAM ECC:

- 128-MB Memory Kit (1 x 128-MB SDRAM ECC, 100 MHz) 166618-B21
- 64-MB Memory Kit (1 x 64-MB SDRAM ECC, 100 MHz) 166617-B21
- 32-MB Memory Kit (1 x 32-MB SDRAM ECC, 100 MHz) 166616-B21

Memory

BX chipset

STANDARD MEMORY

128-MB DIMM Standard

Standard	Slot	
	1	2
128 MB	128 MB	Empty

STANDARD MEMORY PLUS

OPTIONAL MEMORY

Support for up to 256 MB of SDRAM DIMM memory is available with the installation of optional SDRAM DIMM Memory Kits.

Up To	Slot	
	1	2
256 MB	128 MB	128 MB

STANDARD MEMORY REPLACED

WITH OPTIONAL MEMORY

Support for up to 512 MB of SDRAM DIMM memory is available with the removal of the standard 128-MB DIMM and the installation of optional SDRAM Memory Kits.

Up To	Slot	
	1	2
512 MB	256 MB	256 MB

Note: It is not necessary to add memory in pairs or kits. Memory upgrades are accomplished by adding single or multiple DIMMs of the same or varied sizes. This chart does not represent all possible memory configurations.

Following are memory options available from Compaq for the Deskpro EN Small Form Factor Series:

100-MHz SDRAM DIMMs:

- 128-MB Memory Kit (1 x 128-MB SDRAM DIMM, 100 MHz) 166614-B21
- 64-MB Memory Kit (1 x 64-MB SDRAM DIMM, 100 MHz) 166613-B21
- 32-MB Memory Kit (1 x 32-MB SDRAM DIMM, 100 MHz) 166612-B21

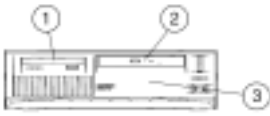
100-MHz SDRAM ECC:

- 128-MB Memory Kit (1 x 128-MB SDRAM ECC, 100 MHz) 166618-B21
- 64-MB Memory Kit (1 x 64-MB SDRAM ECC, 100 MHz) 166617-B21
- 32-MB Memory Kit (1 x 32-MB SDRAM ECC, 100 MHz) 166616-B21

QUICKSPECS

Compaq Deskpro EN Series
Small Form Factor

Storage



DRIVE SUPPORT

	Quantity Supported ^{1,2}	Position Supported	Controller
Removable Media			
1.44-MB Diskette Drive	1	1	Floppy
Compaq SuperDisk (LS-120 Drive) 1X High-Capacity Floppy Drive	1	1	IDE
24X Max ³ Slimline CD-ROM Drive	1	2	IDE
Hard Drives			
22.6-GB ⁷ 7200 rpm SMART III Ultra ATA 66 Hard Drive	1	3	IDE
16.8-GB ⁷ 5400 rpm SMART II Ultra ATA Hard Drive	1	3	IDE
13.5-GB ⁷ 7200 rpm SMART II Ultra ATA 66 Hard Drive	1	3	IDE
10.0-GB ⁷ 7200 rpm SMART III Ultra ATA 66 Hard Drive	1	3	IDE
10.0-GB ⁷ 5400 rpm SMART III Ultra ATA Hard Drive	1	3	IDE
8.4-GB ⁷ 5400 rpm SMART III Ultra ATA Hard Drive	1	3	IDE
6.4-GB ⁷ 7200 rpm SMART III Ultra ATA 66 Hard Drive	1	3	IDE
6.4-GB ⁷ 5400 rpm SMART III Ultra ATA Hard Drive	1	3	IDE
4.3-GB ⁷ 5400 rpm SMART III Ultra ATA Hard Drive	1	3	IDE

QUICK SPECS

Compaq Deskpro EN Series
Small Form Factor

Technical Specifications

System Unit

Dimensions (HxWxD)	3.56 x 12.5 x 14.6 in/9 x 31.8 x 37.1 cm
Weight (approximate)	20 lbs/9.1 kg
Weight Supported	100 lbs/45.5 kg
Power Supply	
Operating Voltage Range	90 to 132 VAC/180 to 264 VAC
Rated Voltage Range	100 to 120 VAC/200 to 240 VAC
Rated Line Frequency	47 to 63 Hz
Rated Input Current	2.4A/1.2A
Maximum Rated Power	90W
Temperature	
Operating	50° to 95°F/10° to 35°C
Non-operating	50° to 122°F/10° to 50°C
Humidity (non-condensing)	
Operating	10% to 90%
Non-operating	10% to 90%
Maximum Altitude (unpressurized)	
Operating	10,000 ft/3,048 m
Non-operating	30,000 ft/9,144 m

Enhanced Keyboard

Dimensions (HxWxD)	1.5 x 18 x 6.5 in/3.81 x 45.72 x 16.51 cm
Weight	3.15 lbs/1.59 kg

SMART III Ultra ATA 66 Hard Drives

13.5 GB⁷	Capacity	13,500 MB	Seek Time (typical reads, including settling)	
	Height	1 in/25.4 mm	Single Track	1.7 ms
	Width	3.5 in/88.9 mm	Average	8.5 ms
	Interface	Ultra ATA 66	Full-Stroke	15 ms
	Transfer Rate		Rotational Speed	7200 rpm
	Synchronous (Maximum)	66.6 MB/s	Physical Configuration	
			Bytes/Sector	512
			Logical Blocks	19,541,088
			Operating Temperature 41° to 131°F/5° to 55°C	
	6.4 GB⁷	Capacity	6400 MB	Seek Time (typical reads, including settling)
Height		1 in/25.4 mm	Single Track	<1.3 ms
Width		3.5 in/88.9 mm	Average	9 ms
Interface		Ultra ATA 66	Full-Stroke	20 ms
Transfer Rate			Rotational Speed	5400 rpm
Synchronous (Maximum)		66.6 MB/s	Physical Configuration	
			Bytes/Sector	512
			Logical Blocks	12,594,960
			Operating Temperature 41° to 131°F/5° to 55°C	

QUICK SPECS

Compaq Deskpro EN Series
Small Form Factor

Technical Specifications

SMART III Ultra ATA 66 Hard Drives (continued)

4.3 GB⁷	Capacity	4300 MB	Seek Time (typical reads, including settling)	
	Height	1 in/25.4 mm	Single Track	<1.3 ms
	Width	3.5 in/88.9 mm	Average	9 ms
	Interface	Ultra ATA 66	Full-Stroke	20 ms
	Transfer Rate		Rotational Speed	5400 rpm
	Synchronous (Maximum)	66.6 MB/s	Physical Configuration	
			Bytes/Sector	512
			Logical Blocks	8,421,840
			Operating Temperature 41° to 131°F/5° to 55°C	

SMART III Ultra ATA Hard Drives

10.0 GB⁷	Capacity	10,000 MB	Seek Time (typical reads, including settling)	
	Height	1 in/25.4 mm	Single Track	1.42 ms
	Width	3.5 in/88.9 mm	Average	9.4 ms
	Interface	Ultra ATA	Full-Stroke	18.6 ms
	Transfer Rate		Rotational Speed	5400 rpm
	Synchronous (Maximum)	33.3 MB/s	Physical Configuration	
			Bytes/Sector	512
			Logical Blocks	17,773,500
			Operating Temperature 41° to 113°F/5° to 45°C	

6.4 GB⁷	Capacity	6400 MB	Seek Time (typical reads, including settling)	
	Height	1 in/25.4 mm	Single Track	1.3 ms
	Width	3.5 in/88.9 mm	Average	9.9 ms
	Interface	Ultra ATA	Full-Stroke	19.7 ms
	Transfer Rate		Rotational Speed	5400 rpm
	Synchronous (Maximum)	33.3 MB/s	Physical Configuration	
			Bytes/Sector	512
			Logical Blocks	8,386,000
			Operating Temperature 41° to 113°F/5° to 45°C	

4.3 GB⁷	Capacity	4300 MB	Seek Time (typical reads, including settling)	
	Height	1 in/25.4 mm	Single Track	1.3 ms
	Width	3.5 in/88.9 mm	Average	9.9 ms
	Interface	Ultra ATA	Full-Stroke	19.7 ms
	Transfer Rate		Rotational Speed	5400 rpm
	Synchronous (Maximum)	33.3 MB/s	Physical Configuration	
			Bytes/Sector	512
			Logical Blocks	8,386,000
			Operating Temperature 41° to 113°F/5° to 45°C	

QUICK SPECS

Compaq Deskpro EN Series
Small Form Factor

Technical Specifications

24X Max³ Slimline CD-ROM Drive

Disk	CD-ROM (Mode 1 and 2), CD-DA, CD-XA (Mode 2, Form 1 and 2) CD-I Photo CD (Single and Multi-session), Mixed Mode (Audio and Data combined)
Applicable Disk	
Capacity	550 MB (Mode 1, 12 cm) 640 MB (Mode 2, 12 cm) 180 MB (8 cm)
Block Size	2,048, 1,024 bytes (Mode 1) 2,340, 2,336, 1,024 bytes (Mode 2) 2,352 bytes (CD-DA) 2,326 bytes (CD-XA)
Rotational Speed	5200 rpm
Diameter	4.7 in, 3.15 in/12 cm, 8 cm
Center Hole	0.6 in/15 mm
Thickness	0.05 in/1.2 mm
Track Pitch	1.6 μ m
Interface	ATAPI IDE
Access Time (typical)	
Random	< 140 ms
Full-Stroke	< 300 ms
Audio Output Level (Line-Out)	0.7 V @ 47K ohm
Data Transfer Rate	
Sustained	150 KB/s
Variable	1500 to 3600 KB/s
Cache Buffer	128 KB
Start-up Time	< 10 sec
Stop Time	< 4 sec
Laser Parameters	
Type	Semiconductor Laser GaAl As
Wave Length	780 \pm 25 nm
Divergence Angle	53.5 $^{\circ}$ \pm 1.5 $^{\circ}$
Output Power	0.14mW
Operating Conditions	
Temperature	41 $^{\circ}$ to 131 $^{\circ}$ F/5 $^{\circ}$ to 55 $^{\circ}$ C
Humidity	10% to 80%
Dimensions (HxWxD, maximum)	5 x 5.22 x 5.47 in/12.7 x 132.6 x 139 mm
Weight	12 oz/< 340 g

QUICK SPECS

Compaq Deskpro EN Series
Small Form Factor

Technical Specifications

Embedded Intel
PRO/100+ Management
Adapter Controller

Network Interface	10/100 Base TX
Expansion Bus Architecture	PCI 2.2
Network Transfer Rate	
10Base-T (Half-Duplex)	10 Mb/s
10Base-T (Full-Duplex)	20 Mb/s
100Base-TX (Half-Duplex)	100 Mb/s
100Base-TX (Full-Duplex)	200 Mb/s
Connectors	RJ-45
Standards Compliance	
10 Mb/s Ethernet	IEEE 802.3
100 Mb/s Ethernet	IEEE 802.3u
I/O Address	Auto-configured
Remote Wakeup	Yes
Temperature	
Operating	32° to 131°F/0° to 55°C
Humidity (non-condensing)	
Operating	85% at +131°F/55°C
Altitude	
Operating	10,000 ft/3,048 m
Communication Processor	Intel 82559
OS Driver Support	
MS Windows NT 3.51 and 4.0	NDIS 3.0, 4.0 Compliant
MS Windows 95, 98, 2000 Bets	NDIS 3.0, 4.0, 5.0 Compliant
Novell NetWare Server v. 3.x, 4.x and 5.0	ODI Compliant
SunSoft Solaris	Not Supported
SCO UnixWare, OpenDesktop, OpenServer	Supported

Technical Specifications

Embedded Compaq
10/100 TX PCI
Intel WOL UTP
Controller⁵

Network Interface	10/100 Base TX
Expansion Bus Architecture	32-bit PCI bus-master
Network Transfer Rate	
10Base-T (Half-Duplex)	10 Mb/s
10Base-T (Full-Duplex)	20 Mb/s
100Base-TX (Half-Duplex)	100 Mb/s
100Base-TX (Full-Duplex)	200 Mb/s
Connectors	RJ-45
Standards Compliance	
10 Mb/s Ethernet	IEEE 802.3
100 Mb/s Ethernet	IEEE 802.3u
I/O Address	Auto-configured
Remote Wakeup	Yes
Temperature	
Operating	50° to 95°F/10° to 35°C
Non-operating	50° to 122°F/10° to 50°C
Shipping	86° to 122°F/30° to 50°C
Humidity (non-condensing)	
Operating	10% to 90%
Non-operating	10% to 90%
Shipping	20% to 80%
Altitude	
Operating	10,000 ft/3,048 m
Non-operating	30,000 ft/9,144 m
Shipping	10,118 ft/3,084 m
Communication Processor	Intel 82558
OS Driver Support	
MS Windows NT Server and Workstation v. 3.51	NDIS 3.0 Compliant
MS Windows NT Workstation 4.0	NDIS 4.0 Compliant
MS Windows 95 (OSR2)	NDIS 2.0, 3.0/4.0 Compliant
WFW v.3.11	NDIS 3.0 Compliant
MS LAN Manager	NDIS 2.0 Compliant
Novell NetWare Server v. 3.x, 4.x	ODI Compliant
Novell NetWare DOS	ODI Compliant
IBM OS/2 v. 2x, 3.x, 4.x ¹³	OS/2 NDIS 2.0 Compliant
IBM OS/2 NetWare Requestor v.2.x, 3.x	ODI Compliant

QUICK SPECS

Compaq Deskpro EN Series
Small Form Factor

Technical Specifications

Integrated Intel 3D
Graphics Controller

		4-MB Display Cache (or 8-MB equivalent performance)
Resolution (maximum)		Refresh Rate
1280 x 1024	Colors Supported	85 Hz
Acceleration	16.7M	
	3 ROP BitBLT, Line Draw, Text, Color Expansion, Basic Video Color, Conversion and Scaling and Triangle Setup Engine	
Memory	4-MB Display Cache (or 8-MB equivalent performance), not upgradable	

Embedded ATI RAGE
PRO TURBO AGP 2X
Graphics Controller

		8-MB SGRAM
Resolution (maximum)		Refresh Rate
1280 x 1024	Colors Supported	85 Hz
Acceleration	16.7M	
	3 ROP BitBLT, Line Draw, Text, Color Expansion, Basic Video Color, Conversion and Scaling and Triangle Setup Engine	
Memory	4-MB SGRAM standard, upgradable to 8-MB SGRAM	

¹ Certain restrictions and exclusions apply. Consult the Compaq Customer Support Center for details.

² AssetControl monitor. AssetControl features are accessible with Compaq desktops featuring Intelligent Manageability.

³ For Hard Drives, GB = Billion Bytes.

⁴ All Deskpro EN Series Small Form Factor models come standard with 100-MHz DIMMs. 350-MHz or faster processors can use only 100-MHz DIMMs.

⁵ Also known as the Compaq NC3121 PCI 10/100 WOL (Wake-on-LAN) Fast Ethernet NIC.

⁶ Availability will depend on configuration.

⁷ Data transfer rates will vary from 150KB/s to 3600 KB/s.

⁸ There is no exchange or return program available for replacing standard memory.

⁹ Bulk memory skus are priced individually but must be ordered in lots of 50. Only orders of 50 are accepted.

¹⁰ Use this kit for optimum performance with multiple Ultra ATA hard drives.

¹¹ Designed only to allow faster downloads from K56flex compliant digital sources. Maximum achievable download transmission rates may not reach 56 Kbs and will vary with line conditions. Modem only works with Windows 9.x and Windows NT.

¹² Quantity Supported refers to the maximum number of devices the chassis can support.

¹³ Not all product features are supported in this OS.