



Network PTZ

2015 1H Products

Product Comparison Chart



WiseNet III Plus
SNP-6320H



WiseNet III Plus
SNP-6320



WiseNet III Plus
SNP-5430H



WiseNet III Plus
SNP-5430



WiseNet III Plus
SNP-6320RH

	SNP-6320H	SNP-6320	SNP-5430H	SNP-5430	SNP-6320RH
Resolution	2MP	2MP	1.3MP	1.3MP	2MP
Imaging Device	1/2.8" 2.38M CMOS	1/2.8" 2.38M CMOS	1/4" 1.3M CMOS	1/4" 1.3M CMOS	1/2.8" 2.38M CMOS
Video Compression Format	H.264, MJPEG	H.264, MJPEG	H.264, MJPEG	H.264, MJPEG	H.264, MJPEG
Resolution / Max. Frame Rate	2M / 60fps	2M / 60fps	1.3M / 60fps	1.3M / 60fps	2M / 60fps
Streaming Capacity	Multiple (Up to 10 profiles)	Multiple (Up to 10 profiles)	Multiple (Up to 10 profiles)	Multiple (Up to 10 profiles)	Multiple (Up to 10 profiles)
Max. User Access	15 (Unicast)	15 (Unicast)	15 (Unicast)	15 (Unicast)	15 (Unicast)
Min. Illumination (30 IRE)	Color : 0.2Lux B/W : 0.01Lux	Color : 0.2Lux B/W : 0.01Lux	Color : 0.3Lux B/W : 0.006Lux	Color : 0.3Lux B/W : 0.006Lux	Color : 0.1Lux B/W : 0Lux (IR LED on)
Video Output	CVBS 1.0Vpp	CVBS 1.0Vpp	CVBS 1.0Vpp	CVBS 1.0Vpp	CVBS 1.0Vpp
Lens	4.44 ~ 142.6mm (Optical 32x) F1.6(Wide) / F4.4(Tele)	4.44 ~ 142.6mm (Optical 32x) F1.6(Wide) / F4.4(Tele)	3.5 ~ 150.5mm (Optical 43x) F1.4(Wide) / F4.9(Tele)	3.5 ~ 150.5mm (Optical 43x) F1.4(Wide) / F4.9(Tele)	4.4 ~ 140.8mm (IR corrected optical 32x) F1.6(Wide) / F4.9(Tele)
Angular Field of View	H : 62.8°(Wide) ~ 2.23°(Tele) / V : 36.8°(Wide) ~ 1.26°(Tele)	H : 62.8°(Wide) ~ 2.23°(Tele) / V : 36.8°(Wide) ~ 1.26°(Tele)	H : 53.92°(Wide) ~ 1.396°(Tele) / V : 44.08°(Wide) ~ 1.12°(Tele)	H : 53.92°(Wide) ~ 1.396°(Tele) / V : 44.08°(Wide) ~ 1.12°(Tele)	H : 63.68°(Wide) ~ 2.24°(Tele) / V : 37.52°(Wide) ~ 1.28°(Tele)
Focus Control	Auto / Manual / One push	Auto / Manual / One push	Auto / Manual / One push	Auto / Manual / One push	AF / One-shot AF / Manual
IR LED / Viewable Length	-	-	-	-	2ea / 150m (492,13ft)
Pan / Tilt / Rotate	360° Endless / 210° (-15° ~ 195°) / -	360° Endless / 210° (-15° ~ 195°) / -	360° Endless / 210° (-15° ~ 195°) / -	360° Endless / 210° (-15° ~ 195°) / -	360° Endless / 190° (-5° ~ 185°) / -
Day & Night	True (ICR)	True (ICR)	True (ICR)	True (ICR)	True (ICR)
Backlight Compensation	WDR (120dB)	WDR (120dB)	WDR (120dB)	WDR (120dB)	WDR (120dB)
Digital Noise Reduction	SSNR III (2D+3D noise filter)	SSNR III (2D+3D noise filter)	SSNR III (2D+3D noise filter)	SSNR III (2D+3D noise filter)	SSNR III (2D+3D noise filter)
Digital Image Stabilization	Support	Support	Support	Support	Support
Intelligent Video Analytics	Tampering, Virtual line, Enter / Exit, (Dis)Appear, Audio detection, Face detection	Tampering, Virtual line, Enter / Exit, (Dis)Appear, Audio detection, Face detection	Tampering, Virtual line, Enter / Exit, (Dis)Appear, Audio detection, Face detection	Tampering, Virtual line, Enter / Exit, (Dis)Appear, Audio detection, Face detection	Tampering, Virtual line, Enter / Exit, (Dis)Appear, Audio detection, Face detection
Protocol	ONVIF profile S, SVNP, SUNAPI, Open platform	ONVIF profile S, SVNP, SUNAPI, Open platform	ONVIF profile S, SVNP, SUNAPI, Open platform	ONVIF profile S, SVNP, SUNAPI, Open platform	ONVIF profile S, SVNP, SUNAPI, Open platform
Alarm I/O	4 / 2 (Relay)	4 / 2 (Relay)	4 / 2 (Relay)	4 / 2 (Relay)	4 / 3 (Relay)
Audio	Bi-directional	Bi-directional	Bi-directional	Bi-directional	Bi-directional
Edge Storage	SD/SDHC/SDXC, NAS	micro SD/SDHC/SDXC, NAS	SD/SDHC/SDXC, NAS	micro SD/SDHC/SDXC, NAS	SD/SDHC/SDXC, NAS, Local PC
Environment Protection	IP66, IK10	IK10 (With SHP-3701H)	IP66, IK10	IK10 (With SHP-3701H)	IP66, IK10
Operating Temperature	AC 24V : -50°C ~ +55°C (-58°F ~ +131°F) PoE+ : -30°C ~ +55°C (-22°F ~ +131°F)	-10°C ~ +55°C (+14°F ~ +131°F)	AC 24V : -50°C ~ +55°C (-58°F ~ +131°F) PoE+ : -30°C ~ +55°C (-22°F ~ +131°F)	-10°C ~ +55°C (+14°F ~ +131°F)	-50°C ~ +55°C (-58°F ~ +131°F)
Power	AC 24V, PoE+ (Max. 24.0W), AC 24V (Max. 65.0W - Heater on)	AC 24V, PoE+ (Max. 20.0W)	AC 24V, PoE+ (Max. 24.0W), AC 24V (Max. 65.0W - Heater on)	AC 24V, PoE+ (Max. 20.0W)	AC 24V (Max. 30.0W - heater off Max. 35.0W/90.0W - heater off/on, IR on)
Dimensions (WxHxD) / Weight	Ø223.4 x 293.6mm (Ø8.8" x 11.56") 3.3Kg (7.28 lb)	Ø152.0 x 218.0mm (Ø5.98" x 8.58") 2.2Kg (4.85 lb)	Ø223.4 x 293.6mm (Ø8.8" x 11.56") 3.4Kg (7.5 lb)	Ø152.0 x 218.0mm (Ø5.98" x 8.58") 2.2Kg (4.85 lb)	Ø248.0 x 399.5mm (Ø9.76" x 15.73") 7.1Kg (15.65 lb)
Additional Features	Auto tracking, RS-485, Defog	Auto tracking, RS-485, Defog	Auto tracking, RS-485, Defog	Auto tracking, RS-485, Defog	Auto tracking, RS-485/422, Defog

Product Comparison Chart



WiseNet III
SNP-6321H



WiseNet III
SNP-6321



WiseNet III
SNP-5321H



WiseNet III
SNP-5321

	SNP-6321H	SNP-6321	SNP-5321H	SNP-5321
Resolution	2MP	2MP	1.3MP	1.3MP
Imaging Device	1/2.8" 2.38M CMOS	1/2.8" 2.38M CMOS	1/3" 1.3M CMOS	1/3" 1.3M CMOS
Video Compression Format	H.264, MJPEG	H.264, MJPEG	H.264, MJPEG	H.264, MJPEG
Resolution / Max. Frame Rate	2M / 60fps	2M / 60fps	1.3M / 60fps	1.3M / 60fps
Streaming Capacity	Multiple (Up to 10 profiles)	Multiple (Up to 10 profiles)	Multiple (Up to 10 profiles)	Multiple (Up to 10 profiles)
Max. User Access	10 (Unicast)	10 (Unicast)	10 (Unicast)	10 (Unicast)
Min. Illumination (30 IRE)	Color : 0.15Lux, B/W : 0.015Lux	Color : 0.15Lux, B/W : 0.015Lux	Color : 0.05Lux, B/W : 0.005Lux	Color : 0.05Lux, B/W : 0.005Lux
Video Output	CVBS 1.0Vpp	CVBS 1.0Vpp	CVBS 1.0Vpp	CVBS 1.0Vpp
Lens	4.44 ~ 142.6mm (Optical 32x) F1.6(Wide) / F4.4(Tele)	4.44 ~ 142.6mm (Optical 32x) F1.6(Wide) / F4.4(Tele)	4.44 ~ 142.6mm (Optical 32x) F1.6(Wide) / F4.4(Tele)	4.44 ~ 142.6mm (Optical 32x) F1.6(Wide) / F4.4(Tele)
Angular Field of View	H : 62.8°(Wide) ~ 2.23°(Tele) / V : 36.8°(Wide) ~ 1.26°(Tele)	H : 62.8°(Wide) ~ 2.23°(Tele) / V : 36.8°(Wide) ~ 1.26°(Tele)	H : 56.8°(Wide) ~ 1.99°(Tele) / V : 46.3°(Wide) ~ 1.6°(Tele)	H : 56.8°(Wide) ~ 1.99°(Tele) / V : 46.3°(Wide) ~ 1.6°(Tele)
Focus Control	Auto / Manual / One push	Auto / Manual / One push	Auto / Manual / One push	Auto / Manual / One push
IR LED / Viewable Length	-	-	-	-
Pan / Tilt / Rotate	360° Endless / 210° (-15° ~ 195°) / -	360° Endless / 210° (-15° ~ 195°) / -	360° Endless / 210° (-15° ~ 195°) / -	360° Endless / 210° (-15° ~ 195°) / -
Day & Night	True (ICR)	True (ICR)	True (ICR)	True (ICR)
Backlight Compensation	WDR (120dB)	WDR (120dB)	WDR (120dB)	WDR (120dB)
Digital Noise Reduction	SSNR III (2D+3D noise filter)	SSNR III (2D+3D noise filter)	SSNR III (2D+3D noise filter)	SSNR III (2D+3D noise filter)
Digital Image Stabilization	Support	Support	Support	Support
Intelligent Video Analytics	Tampering, Virtual line, Enter / Exit, (Dis)Appear, Audio detection, Face detection	Tampering, Virtual line, Enter / Exit, (Dis)Appear, Audio detection, Face detection	Tampering, Virtual line, Enter / Exit, (Dis)Appear, Audio detection, Face detection	Tampering, Virtual line, Enter / Exit, (Dis)Appear, Audio detection, Face detection
Protocol	ONVIF profile S, SVNP, SUNAPI, Open platform	ONVIF profile S, SVNP, SUNAPI, Open platform	ONVIF profile S, SVNP, SUNAPI, Open platform	ONVIF profile S, SVNP, SUNAPI, Open platform
Alarm I/O	4 / 2 (Relay)	4 / 2 (Relay)	4 / 2 (Relay)	4 / 2 (Relay)
Audio	Bi-directional	Bi-directional	Bi-directional	Bi-directional
Edge Storage	SD/SDHC/SDXC, NAS	SD/SDHC/SDXC, NAS	SD/SDHC/SDXC, NAS	SD/SDHC/SDXC, NAS
Environment Protection	IP66, IK10	IK10 (With SHP-3701H)	IP66, IK10	IK10 (With SHP-3701H)
Operating Temperature	AC 24V : -50°C ~ +55°C (-58°F ~ +131°F) PoE+ : -30°C ~ +55°C (-22°F ~ +131°F)	-10°C ~ +55°C (+14°F ~ +131°F)	AC 24V : -50°C ~ +55°C (-58°F ~ +131°F) PoE+ : -30°C ~ +55°C (-22°F ~ +131°F)	-10°C ~ +55°C (+14°F ~ +131°F)
Power	AC 24V (Max. 65.0W - AC & PoE heater on) PoE+ (Max. 25.0W - PoE heater on)	AC 24V, PoE+ (Max. 20.0W)	AC 24V (Max. 65.0W - AC & PoE heater on) PoE+ (Max. 25.0W - PoE heater on)	AC 24V, PoE+ (Max. 20.0W)
Dimensions (WxHxD)/ Weight	Ø223.4 x 293.6mm (Ø8.8" x 11.56") 3.2Kg (7.05 lb)	Ø152.0 x 218.0mm (Ø5.98" x 8.58") 1.8Kg (3.97 lb)	Ø223.4 x 293.6mm (Ø8.8" x 11.56") 3.2Kg (7.05 lb)	Ø152.0 x 218.0mm (Ø5.98" x 8.58") 1.8Kg (3.97 lb)
Additional Features	RS-485, Defog	RS-485, Defog	RS-485, Defog	RS-485, Defog

The World First and World BEST!

1.3MP **43x** / 2MP **32x** Auto tracking PTZ

WiseNet III Plus

Provide optimal performance in unattended monitoring environment.



Max. 43x optical zoom : Capture distant objects clearly at up to 100meters

SNP-5430/5430H PTZ cameras offer 43x (3.5 ~ 150.5mm) zoom function to capture distant objects clearly, and a combined optical/digital zoom up to 688x for broad area monitoring. User can identify the object in detail that user want to see with this powerful zoom. ※SNP-6320/6320H support 32x (4.42 ~ 141.8mm) optical zoom.



32x optical zoom



43x optical zoom



Auto tracking : Persistently follow a suspect

Intelligent auto tracking function lets the camera recognize and follow moving objects, so that user can monitor strange object in detail without the need for operator, freeing them up to manage other cameras in the vicinity.



Pan/Tilt 700°/sec : Rotate about twice per second!

In Preset mode, SNP-6320/6320H/5430/5430H can rotate at 700° per second pan/tilt that's twice in a second. This high-speed pan/tilt functionality assists in the instant monitoring of an area triggered by alarm presets making it ideal for monitoring cities, airports and ports.



City Surveillance



Airport



Harbor

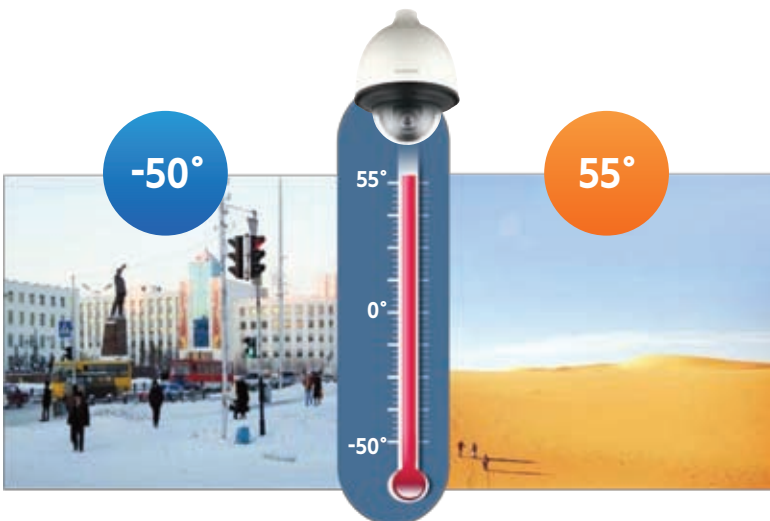


700°/sec



Durable in any extreme environmental conditions

SNP-6320H and 5430H are designed to reliably functioning in the extreme environmental conditions. It fully operates in the temperature range from -50° to 55, raining or very high humidity condition. Also vandal-resistant casing can protect against external environment perfectly. ※IK10 grade : SNP-6320H/5430H, SNP-6320/5430 + SHP-3701H



IK10 (Impact protection)

The World First and World BEST!

2MP 32x / 1.3MP 43x Auto tracking PTZ

SNP-6320H/6320

2MP Full HD 32x Network PTZ Camera

- Max. 60fps@2MP (1920 x 1080)
- 32x optical zoom (16x digital zoom)
- WDR 120dB, Day & Night (ICR)
- Pan/Tilt Speed
 - Preset : 700°/sec
 - Manual : 0.024°/sec ~ 120°/sec
- Defog, Auto tracking, Bi-directional audio support
- Tampering, Virtual line, Enter / Exit, (Dis)Appear, Audio detection, Face detection
- micro SD type (SNP-6320), SD type (SNP-6320H)
- Operating temperature : -50°C ~ +55°C (SNP-6320H only)
- IP66 / IK10 (SNP-6320H only), IK10 (SNP-6320 + SHP-3701H)



SNP-5430H/5430

1.3MP HD 43x Network PTZ Camera

- Max. 60fps@1.3MP (1280 x 1024)
- 43x optical zoom (16x digital zoom)
- WDR 120dB, Day & Night (ICR)
- Pan/Tilt Speed
 - Preset : 700°/sec
 - Manual : 0.024°/sec ~ 120°/sec
- Defog, Auto tracking, Bi-directional audio support
- Tampering, Virtual line, Enter / Exit, (Dis)Appear, Audio detection, Face detection
- micro SD type (SNP-5430), SD type (SNP-5430H)
- Operating temperature : -50°C ~ +55°C (SNP-5430H only)
- IP66 / IK10 (SNP-5430H only), IK10 (SNP-5430 + SHP-3701H)

SNP-6320H/6320

2Megapixel Full HD 32x Network PTZ Dome Camera



SNP-6320H



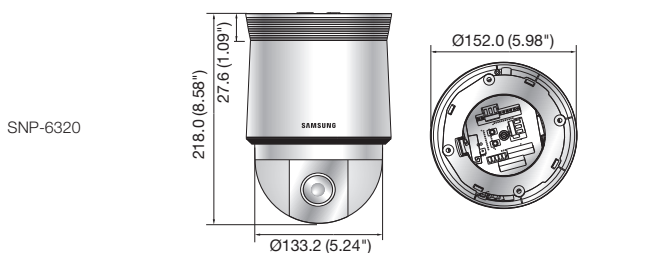
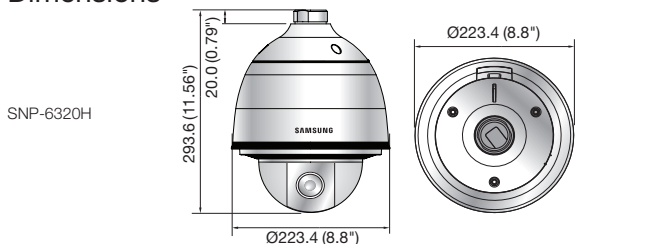
SNP-6320

Key Features

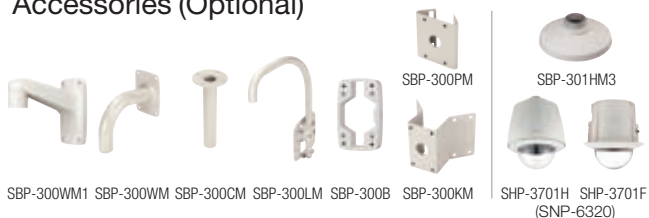
- Max. 2M (1920 x 1080) resolution
- 16 : 9 Full HD (1080p) resolution support
- 4.44 ~ 142.6mm (32x) optical zoom, 16x digital zoom
- 0.2Lux@F1.6 (Color), 0.01Lux@F1.6 (B/W)
- H.264, MJPEG dual codec, Multiple streaming
- Day & Night (ICR), WDR (120dB)
- Auto tracking, Intelligent video analytics
- PoE+, SD/SDHC/SDXC memory slot, Bi-directional audio support
- IP66 / IK10 (SNP-6320H), IK10 (SNP-6320 + SHP-3701H only)

Dimensions

Unit : mm (inch)



Accessories (Optional)



* Data recorded on an SD memory card may be lost or damaged by data access during power-off, mechanical shock, memory card detachment, or other operations. Data loss or damage can also occur when a memory card reaches end of life, which varies according to operational conditions. No guarantee is given against damage (including passive damage).

	SNP-6320HN/HP	SNP-6320N/P
VIDEO		
Imaging Device	1/2.8" 2.38M CMOS	
Total / Effective Pixels	1,952(H) x 1,116(V), 2.18M pixels / 1,944(H) x 1,104(V), 2.14M pixels	
Scanning System	Progressive	
Min. Illumination	Color : 0.3Lux (1/30sec, F1.6, 50IRE) , 0.005Lux (2sec, F1.6, 50IRE) B/W : 0.03Lux (1/30sec, F1.6, 50IRE) , 0.0005Lux (2sec, F1.6, 50IRE) Color : 0.2Lux (1/30sec, F1.6, 30IRE) , 0.003Lux (2sec, F1.6, 30IRE) B/W : 0.01Lux (1/30sec, F1.6, 30IRE) , 0.0001Lux (2sec, F1.6, 30IRE)	
S / N Ratio	50dB	
Video Output	CVBS : 1.0Vpp / 75Ω composite, 720 x 480(N), 720 x 576(P), for installation	
LENS		
Focal Length (Zoom Ratio)	4.44 ~ 142.6mm (Optical 32x)	
Max. Aperture Ratio	F1.6(Wide) / F4.4(Tele)	
Angular Field of View	H : 62.8°(Wide) ~ 2.23°(Tele) / V : 36.8°(Wide) ~ 1.26°(Tele)	
Min. Object Distance	Wide : 1.4m (4.59ft), Tele : 1.9m (6.23ft) Wide : 1.5m (4.92ft), Tele : 2m (6.56ft)	
Focus Control	Auto / Manual / One push	
Lens / Mount Type	DC auto iris / Board-in type	
PAN / TILT / ROTATE		
Pan / Tilt Range	360° Endless / 210° (-15° ~ 195°)	
Pan / Tilt Speed	Preset : 700°/sec, Manual : 0.024°/sec ~ 120°/sec	
Preset / Preset Accuracy	255ea / ±0.2°	
Auto Tracking	Off / On	
OPERATIONAL		
Camera Title	Off / On (Displayed up to 15 characters)	
Day & Night	Auto (ICR) / Color / B/W	
Backlight Compensation	Off / BLC / HLC	
Wide Dynamic Range	120dB	
Contrast Enhancement	SSDR (Samsung Super Dynamic Range) (Off / On)	
Digital Noise Reduction	SSNR III (2D+3D noise filter) (Off / On)	
Digital Image Stabilization	Off / On	
Defog	Off / Auto / Manual	
Motion Detection	Off / On (4ea rectangle zone)	
Privacy Masking	Off / On (32 zones of rectangle zone)	
Gain Control	Off / Low / Middle / High	
White Balance	ATW / AWC / Manual / Indoor / Outdoor / Mercury / Sodium	
Electronic Shutter Speed	Minimum / Maximum / Anti flicker (2 ~ 1/12,000sec)	
Digital Zoom	16x	
Flip / Mirror	Off / On	
Intelligent Video Analytics	Tampering, Virtual line, Enter / Exit, (Dis)Appear, Audio detection, Face detection	
Alarm I/O	Input 4ea / Output 2ea (Relay)	
Remote Control Interface	RS-485	
RS-485 Protocol	Samsung-T/E, Pelco-P/D, Sunjain, Panasonic, Honeywell, AD, Vicon, Bosch, GE	
Alarm Triggers	Motion detection, Tampering, Audio detection, Face detection, Video analytics, Alarm input, Network disconnection	
Alarm Events	File upload via FTP and E-mail, Notification via E-mail, TCP and HTTP, Local storage (SD/SDHC/SDXC) or NAS recording at event alarm triggers, External output	
NETWORK		
Ethernet	RJ-45 (10/100BASE-T)	
Video Compression Format	H.264 (MPEG-4 part 10 / AVC), MJPEG	
Resolution	1920 x 1080, 1280 x 1024, 1280 x 960, 1280 x 720, 1024 x 768, 800 x 600, 800 x 450, 640 x 480, 640 x 360, 320 x 240, 320 x 180	
Max. Framerate	H.264 : Max. 60fps at all resolutions MJPEG : 1920 x 1080, 1280 x 1024, 1280 x 960, 1280 x 720, 1024 x 768 : Max. 15fps 800 x 600, 800 x 450, 640 x 480, 640 x 360, 320 x 240, 320 x 180 : Max. 30fps	
Smart Codec	Manual mode (Area-based : 5ea), Face detection mode	
Video Quality Adjustment	H.264 : Compression level, Target bitrate level control, MJPEG : Quality level control	
Bitrate Control Method	H.264 : CBR or VBR, MJPEG : VBR	
Streaming Capability	Multiple streaming (Up to 10 profiles)	
Audio In	Selectable (Mic in / Line in), Supply voltage : 2.5V DC (4mA), Input impedance : approx. 2K Ohm	
Audio Out	Line out (3.5mm mono jack), Max output level : 1Vrms G.711 u-law/G.726 selectable, G.726 (ADPCM) 8KHz, G.711 8KHz, G.726 : 16Kbps, 24Kbps, 32Kbps, 40Kbps	
Audio Compression Format	Bi-directional audio	
Audio Communication	IP	
IP	IPv4, IPv6	
Protocol	TCP/IP, UDP/IP, RTP(UDP), RTP(TCP), RTSP, NTP, HTTP, HTTPS, SSL, DHCP, PPPoE, FTP, SMTP, ICMP, IGMP, SNMPv1/v2c/v3(MIB-2), ARP, DNS, DDNS, QoS, PIM-SM, UPnP, Bonjour	
Security	HTTPS(SSL) login authentication, Digest login authentication IP address filtering, User access log, 802.1x authentication	
Streaming Method	Unicast / Multicast	
Max. User Access	15 users at unicast mode SD/SDHC/SDXC (SNP-6320 : micro SD type, SNP-6320H : SD type)	
Edge Storage	Motion Images recorded in the SD/SDHC/SDXC memory card can be downloaded NAS (Network Attached Storage)	
Application Programming Interface	ONVIF profile S, SUNAPI (HTTP API), SVP 1.2	
Webpage Language	English, French, German, Spanish, Italian, Chinese, Korean, Russian, Japanese, Swedish, Danish, Portuguese, Turkish, Polish, Czech, Rumanian, Serbian, Dutch, Croatian, Hungarian, Greek, Finnish, Norwegian	
Web Viewer	Supported OS : Windows XP / VISTA / 7 / 8 / 8.1, MAC OS X 10.7 / 10.8 Supported Browser : Microsoft Internet Explorer (Ver. 8 ~ 11), Mozilla Firefox (Ver. 9 ~ 19), Google Chrome (Ver. 15 ~ 32), Apple Safari (Ver. 6.0.2(Mac OS X 10.8, 10.7 Only), 5.1.7) * Mac OS X only	
Central Management Software	SmartViewer, SSM	
ENVIRONMENTAL		
Operating Temperature / Humidity	24V AC : -50°C ~ +55°C (-58°F ~ +131°F) / Less than ~ 90% RH -10°C ~ +55°C (+14°F ~ +131°F) / PoE+ : -30°C ~ +55°C (-22°F ~ +131°F) / Less than 90% RH	
Storage Temperature / Humidity	-30°C ~ +60°C (-22°F ~ +140°F) / Less than 90% RH	
Ingress Protection / Vandal Resistance	IP66 / IK10 N/A / IK10 (With SHP-3701H)	
ELECTRICAL		
Input Voltage / Current	24V AC, PoE+ (IEEE802.3af, Class4)	
Power Consumption	Max. 24W (Heater off), Max. 65W (Heater on, 24VAC) Max. 20W	
MECHANICAL		
Color / Material	Ivory / Plastic + Metal	
Dimensions (WxH)	Ø223.4 x 293.6mm (Ø8.8" x 11.56") Ø152.0 x 218.0mm (Ø5.98" x 8.58")	
Weight	3.3Kg (7.28 lb) 2.2Kg (4.85 lb)	

* The latest product information / specification can be found at www.samsungsecurity.com

SNP-5430H/5430

1.3Megapixel HD 43x Network PTZ Dome Camera



SNP-5430H



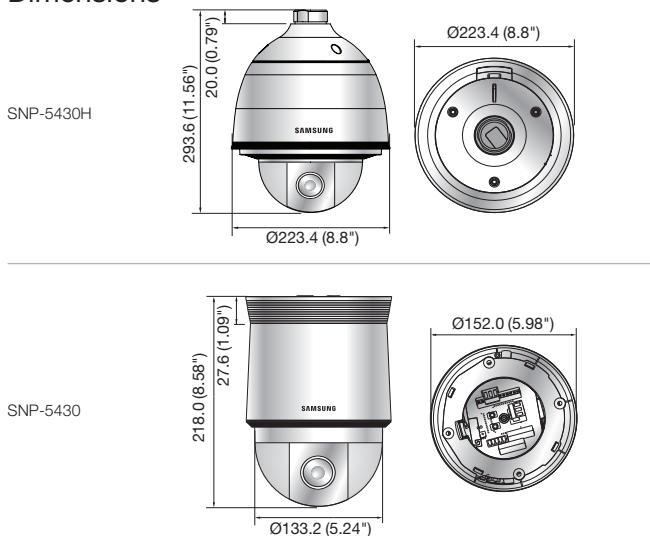
SNP-5430

Key Features

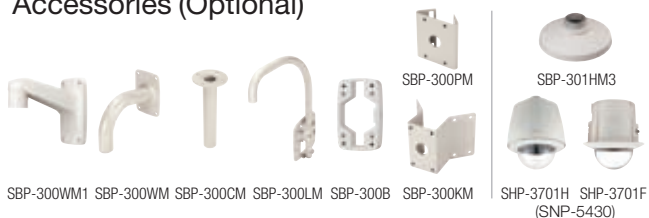
- Max. 1.3M (1280 x 1024) resolution
- 16 : 9 HD (720p) resolution support
- 3.5 ~ 150.5mm (43x) optical zoom, 16x digital zoom
- 0.3Lux@F1.4 (Color), 0.006Lux@F1.4 (B/W)
- H.264, MJPEG dual codec, Multiple streaming
- Day & Night (ICR), WDR (120dB)
- Auto tracking, Intelligent video analytics
- PoE+, SD/SDHC/SDXC memory slot, Bi-directional audio support
- IP66 / IK10 (SNP-5430H), IK10 (SNP-5430 + SHP-3701H only)

Dimensions

Unit : mm (inch)



Accessories (Optional)



* Data recorded on an SD memory card may be lost or damaged by data access during power-off, mechanical shock, memory card detachment, or other operations. Data loss or damage can also occur when a memory card reaches end of life, which varies according to operational conditions. No guarantee is given against damage (including passive damage).

	SNP-5430HN/HP	SNP-5430N/P
VIDEO		
Imaging Device	1/4" 1.3M CMOS	
Total / Effective Pixels	1,392(H) x 1,076(V), 1.49M pixels / 1,368(H) x 1,049(V), 1.43M pixels	
Scanning System	Progressive	
Min. Illumination	Color : 0.5Lux (F1.4, 50IRE), 0.3Lux (F1.4, 30IRE) B/W : 0.01Lux (F1.4, 50IRE), 0.006Lux (F1.4, 30IRE)	
S / N Ratio	50dB	
Video Output	CVBS : 1.0Vpp / 75Ω composite, 720 x 480(N), 720 x 576(P), for installation	
LENS		
Focal Length (Zoom Ratio)	3.5 ~ 150.5mm (Optical 43x)	
Max. Aperture Ratio	F1.4(Wide) / F4.9(Tele)	
Angular Field of View	H : 53.92°(Wide) ~ 1.396°(Tele) / V : 44.08°(Wide) ~ 1.12°(Tele)	
Min. Object Distance	Wide : 1.4m (4.59ft), Tele : 1.9m (6.23ft) Wide : 1.5m (4.92ft), Tele : 2m (6.56ft)	
Focus Control	Auto / Manual / One push	
Lens / Mount Type	DC auto iris / Board-in type	
PAN / TILT / ROTATE		
Pan / Tilt Range	360° Endless / 210° (-15° ~ 195°)	
Pan / Tilt Speed	Preset : 700°/sec, Manual : 0.024°/sec ~ 120°/sec	
Preset / Preset Accuracy	255ea / ±0.2°	
Auto Tracking	Off / On	
OPERATIONAL		
Camera Title	Off / On (Displayed up to 15 characters)	
Day & Night	Auto (ICR) / Color / B/W	
Backlight Compensation	Off / BLC / HLC / WDR	
Wide Dynamic Range	120dB	
Contrast Enhancement	SSDR (Samsung Super Dynamic Range) (Off / On)	
Digital Noise Reduction	SSNR III (2D+3D noise filter) (Off / On)	
Digital Image Stabilization	Off / On	
Defog	Off / Auto / Manual	
Motion Detection	Off / On (4ea rectangle zone)	
Privacy Masking	Off / On (32 zones of rectangle zone)	
Gain Control	Off / Low / Middle / High	
White Balance	ATW / AWC / Manual / Indoor / Outdoor / Mercury / Sodium	
Electronic Shutter Speed	Minimum / Maximum / Anti flicker (2 ~ 1/12,000sec)	
Digital Zoom	16x	
Flip / Mirror	Off / On	
Intelligent Video Analytics	Tampering, Virtual line, Enter / Exit, (Dis)Appear, Audio detection, Face detection	
Alarm I/O	Input 4ea / Output 2ea (Relay)	
Remote Control Interface	RS-485	
RS-485 Protocol	Samsung-T/E, Pelco-P/D, Panasonic, Honeywell, AD, Vicon, Bosch, GE	
Alarm Triggers	Motion detection, Tampering, Audio detection, Face detection, Video analytics, Alarm input, Network disconnection	
Alarm Events	File upload via FTP and E-mail, Notification via E-mail, TCP and HTTP, Local storage (SD/SDHC/SDXC) or NAS recording at event alarm triggers, External output	
NETWORK		
Ethernet	RJ-45 (10/100BASE-T)	
Video Compression Format	H.264 (MPEG-4 part 10 / AVC), MJPEG	
Resolution	1280 x 1024, 1280 x 720, 1024 x 768, 800 x 600, 640 x 480, 320 x 240 H.264 : Max. 60fps at all resolutions	
Max. Framerate	MJPEG : 1280 x 1024, 1280 x 720, 1024 x 768 : Max. 15fps 800 x 600, 640 x 480, 320 x 240 : Max. 30fps	
Smart Codec	Manual mode (Area-based : 5ea), Face detection mode	
Video Quality Adjustment	H.264 : Compression level, Target bitrate level control, MJPEG : Quality level control	
Bitrate Control Method	H.264 : CBR or VBR, MJPEG : VBR	
Streaming Capability	Multiple streaming (Up to 10 profiles)	
Audio In	Selectable (Mic in / Line in), Supply voltage : 2.5V DC (4mA), Input impedance : approx. 2K Ohm	
Audio Out	Line out (3.5mm mono jack), Max output level : 1Vrms	
Audio Compression Format	G.711 u-law/G.726 selectable, G.726 (ADPCM) 8KHz, G.711 8KHz, G.726 : 16Kbps, 24Kbps, 32Kbps, 40Kbps	
Audio Communication	Bi-directional audio	
IP	IPv4, IPv6	
Protocol	TCP/IP, UDP/IP, RTP(UDP), RTP(TCP), RTSP, RTCP, NTP, HTTP, HTTPS, SSL, DHCP, PPPoE, FTP, SMTP, ICMP, IGMP, SNMPv1/v2c/v3(MIB-2), ARP, DNS, DDNS, QoS, PIM-SM, UPnP, Bonjour	
Security	HTTPS(SSL) login authentication, Digest login authentication IP address filtering, User access log, 802.1x authentication	
Streaming Method	Unicast / Multicast	
Max. User Access	15 users at unicast mode	
Edge Storage	SD/SDHC/SDXC (SNP-5340 : micro SD type, SNP-5340H : SD type) Motion Images recorded in the SD/SDHC/SDXC memory card can be downloaded NAS (Network Attached Storage)	
Application Programming Interface	ONVIF profile S, SUNAPI (HTTP API), SVNP 1.2	
Webpage Language	English, French, German, Spanish, Italian, Chinese, Korean, Russian, Japanese, Swedish, Danish, Portuguese, Turkish, Polish, Czech, Rumanian, Serbian, Dutch, Croatian, Hungarian, Greek, Finnish, Norwegian	
Web Viewer	Supported OS : Windows XP / VISTA / 7 / 8 / 8.1, MAC OS X 10.7 / 10.8 Supported Browser : Microsoft Internet Explorer (Ver. 8 ~ 11), Mozilla Firefox (Ver. 9 ~ 19), Google Chrome (Ver. 15 ~ 32), Apple Safari (Ver. 6.0.2(Mac OS X 10.8, 10.7 Only), 5.1.7) * Mac OS X only	
Central Management Software	SmartViewer, SSM	
ENVIRONMENTAL		
Operating Temperature / Humidity	24V AC : -50°C ~ +55°C (-58°F ~ +131°F) / Less than ~ 90% RH PoE+ : -30°C ~ +55°C (-22°F ~ +131°F) / Less than 90% RH -10°C ~ +55°C (+14°F ~ +131°F) / Less than 90% RH	
Storage Temperature / Humidity	-30°C ~ +60°C (-22°F ~ +140°F) / Less than 90% RH	
Ingress Protection / Vandal Resistance	IP66 / IK10	
ELECTRICAL		
Input Voltage / Current	24V AC ±10%, PoE+ (IEEE802.3af, Class4) Max. 24W (Heater off), Max. 65W (Heater on, 24V AC)	
Power Consumption	Max. 20W	
MECHANICAL		
Color / Material	Ivory / Plastic + Metal	
Dimensions (WxH)	Ø223.4 x 293.6mm (Ø8.8" x 11.56")	
Weight	3.4Kg (7.5 lb) 2.2Kg (4.85 lb)	

* The latest product information / specification can be found at www.samsungsecurity.com

Night Tracker

Tracks every movement even
in complete darkness with
Full HD 32x zoom and
IR viewable length
up to 150m

SNP-6320RH

2MP Full HD 32x Network IR PTZ Dome Camera

- Max. 2M (1920 x 1080) resolution
- 4.4 ~ 140.8mm (32x) IR corrected optical zoom
- 0Lux (IR LED on), IR viewable length up to 150m
- Day & Night (ICR), WDR (120dB)
- Defog, Auto tracking
- SD/SDHC/SDXC memory slot, Bi-directional audio support
- Operating temperature : -50°C ~ +55°C
- IP66, IK10



Benchmark
Innovation
Awards 2015

Night Tracker will ensure your safety under nighttime conditions.

Full HD 32x zoom with IR Viewable length up to 150m **SNP-6320RH**

The Night Tracker SNP-6320RH features 32x optical zoom lens and IR viewable length up to 150m enabling users to capture Full-HD high quality images anytime, anywhere. Additionally, Endless 360° pan rotation and 190° tilt control, advanced Auto Tracking functions are suitable to make your monitoring more powerful.

32X 2Megapixel IR PTZ

0Lux, IR Viewable Length 150m

SNP-6320RH has built-in IR LED which allows you to see objects clearly in no light conditions and provides views from up to 150 meters away. It is unnecessary to install IR illuminator, which makes it easier to use the SNP-6320RH without interfering with the Pan/Tilt function.



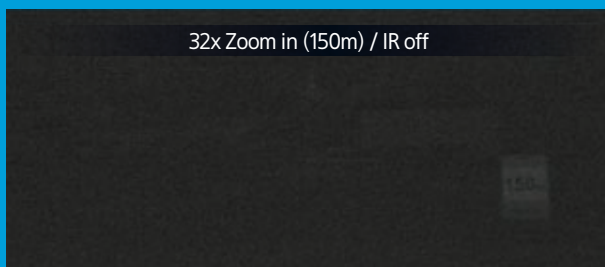
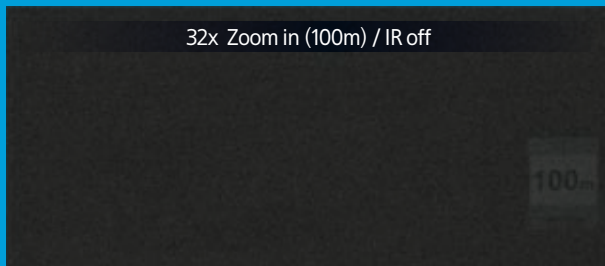
※ Scan the QR code to watch the product demo video.



Normal

Zoom by distance

※ The following Images are captured from the SNP-6320RH product demo video.





32x

IR Corrected Lens

When Both IR and visible light exist at the same scene, focus shift occurs causing blurred and low quality images. SNP-6320RH provides clear and sharp images eliminating the double image problems by using IR corrected lens.



※ Scan the QR code to watch the product demo video.



Normal



SNP-6320RH

Advanced Auto Tracking

Auto tracking lets the camera recognize and follow moving objects, a useful function to monitor strange object in detail without the need for operator.



Running person at night



Walking person at night



※ Scan the QR code to watch the product demo video.

SSLE (Samsung Super Light Enhancer)

Samsung Super Light Enhancer technology produces great color images in low light conditions so that there is little chance any movements can be missed.

Benchmark Innovation Awards 2015

SNP-6320RH has been nominated and selected as a finalist by Benchmark magazine and proved its best performance.



SNP-6320RH

2Megapixel Full HD 32x Network IR PTZ Dome Camera

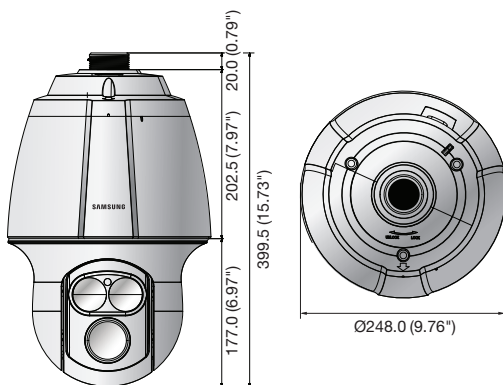


Key Features

- Max. 2M (1920 x 1080) resolution
- 16 : 9 Full HD (1080p) resolution support
- 4.4 ~ 140.8mm (32x) IR corrected optical zoom, 16x digital zoom
- 0.1Lux@F1.6 (Color), 0Lux@F1.6 (B/W : IR LED on)
- H.264, MJPEG dual codec, Multiple streaming
- Day & Night (ICR), WDR (120dB)
- Auto tracking, Intelligent video analytics
- SD/SDHC/SDXC memory slot, Bi-directional audio support
- IP66, IK10, IR LED (2ea)

Dimensions

Unit : mm (inch)



Accessories (Optional)



SBP-300WM1 SBP-300WM SBP-300CM SBP-300LM SBP-300B SBP-300PM SBP-300KM

SNP-6320RH/N/P

VIDEO	
Imaging Device	1/2.8" 2.38M CMOS
Total / Effective Pixels	1,952(H) x 1,116(V), 2.18M pixels / 1,944(H) x 1,104(V), 2.14M pixels
Scanning System	Progressive
Min. Illumination	Color : 0.3Lux (1/30sec, F1.6, 50IRE), 0.005Lux (2sec, F1.6, 50IRE) 0.1Lux (1/30sec, F1.6, 30IRE), 0.0005Lux (2sec, F1.6, 30IRE)
S / N Ratio	50dB
Video Output	CVBS : 1.0Vpp / 75Ω composite, 720 x 480(N), 720 x 576(P), for installation
LENS	
Focal Length (Zoom Ratio)	4.4 ~ 140.8mm (Optical 32x)
Max. Aperture Ratio	F1.6(Wide) / F4.9(Tele)
Angular Field of View	H : 63.68°(Wide) ~ 2.24°(Tele) / V : 37.52°(Wide) ~ 1.28°(Tele)
Min. Object Distance	1.5m (4.92ft)
Focus Control	AF / One-shot AF / Manual
Lens / Mount Type	DC auto iris (IR corrected) / Board-in type
PAN / TILT / ROTATE	
Pan / Tilt Range	360° Endless / 190° (-5° ~ 185°)
Pan / Tilt Speed	Preset : 250°/sec, Manual : 0.024°/sec ~ 120°/sec
Sequence / Preset Accuracy	Preset (255ea), Swing, Group (6ea), Trace, Tour, Auto run, Schedule / ±0.2°
Azimuth	Yes (E / W / S / N / NE / SE / NW / SW OSD)
Auto Tracking	Off / On
OPERATIONAL	
IR LED	2ea
Viewable Length	150m (492.13ft)
Camera Title	Off / On (Displayed up to 15 characters)
Day & Night	Auto (ICR) / Color / B/W
Backlight Compensation	Off / BLC / HLC / WDR
Wide Dynamic Range	120dB
Contrast Enhancement	SSDR (Samsung Super Dynamic Range) (Off / On)
Digital Noise Reduction	SSNRIII (2D+3D noise filter) (Off / On)
Digital Image Stabilization	Off / On
Defog	Off / Auto / Manual
Motion Detection	Off / On (4ea, Rectangular zones)
Privacy Masking	Off / On (32ea, Rectangular zones) - Color : Grey / Green / Red / Blue / Black / White, - Zoom ratio option for mask mode
Gain Control	Off / Low / Medium / High / Manual
White Balance	ATW / AWC / Manual / Indoor / Outdoor / Mercury / Sodium
Electronic Shutter Speed	Minimum / Maximum / Anti flicker (2 ~ 1/12,000sec)
Digital Zoom	16x, area zoom function support digital zoom 2x
Flip / Mirror	Off / On
Intelligent Video Analytics	Tampering (Scene change), Virtual line, Enter / Exit, (Dis)Appear, Audio detection, Face detection
Alarm I/O	Input 4ea / Output 3ea (Relay type)
Remote Control Interface	RS-485/422
RS-485 Protocol	Samsung-T/E, Pelco-P/D, Panasonic, Honeywell, AD, Vicon, Bosch, GE
Alarm Triggers	Alarm input, Motion detection, Intelligent video analytics, Network disconnect
Alarm Events	File upload via FTP and E-mail, Notification via E-mail, Local storage(SD/SDHC) or NAS recording at Network disconnected, External output, PTZ preset
NETWORK	
Ethernet	RJ-45 (10/100BASE-T)
Video Compression Format	H.264 (MPEG-4 Part 10/AVC) : Main / Baseline / High, MJPEG
Resolution	1920 x 1080, 1280 x 1024, 1280 x 960, 1280 x 720, 1024 x 768, 800 x 600, 720 x 576, 640 x 480, 640 x 360, 320 x 240, 320 x 180
Max. Framerate	H.264 : Max. 60fps at all resolutions MJPEG : 1920 x 1080, 1280 x 1024, 1280 x 960, 1280 x 720, 1024 x 768 : Max. 15fps 800 x 600, 720 x 576, 640 x 480, 640 x 360, 320 x 240, 320 x 180 : Max. 30fps
Smart Codec	Manual mode (Area-based : 5ea), Face detection mode
Video Quality Adjustment	H.264 : Compression level, Target bitrate level control, MJPEG : Quality level control
Bitrate Control Method	H.264 : CBR or VBR, MJPEG : VBR
Streaming Capability	Multiple streaming (Up to 10 profiles)
Audio In	Selectable (Mic in / Line in), Supply voltage : 2.5V DC (4mA), Input impedance : approx. 2K Ohm
Audio Out	Line out (3.5mm stereo mini jack), Max output level : 1Vrms
Audio Compression Format	G.711 u-law/G.726 selectable, G.726 (ADPCM) 8KHz, G.711 8KHz, G.726 : 16Kbps, 24Kbps, 32Kbps, 40Kbps
Audio Communication	Bi-directional audio (2-way)
IP	IPv4, IPv6
Protocol	TCP/IP, UDP/IP, RTP(UDP), RTP(TCP), RTCP, RTSP, NTP, HTTP, HTTPS, SSL, DHCP, PPPoE, FTP, SMTP, ICMP, IGMP, SNMPv1/v2c/v3(MIB-2), ARP, DNS, DDNS, QoS, PIM-SM, UPnP, Bonjour
Security	HTTPS(SSL) login authentication, Digest login authentication IP address filtering, User access log, 802.1x authentication (EAP-TLS, EAP-LEAP)
Streaming Method	Unicast / Multicast
Max. User Access	15 users at unicast mode
Edge Storage	SD/SDHC/SDXC (Up to 128G) Motion Images recorded in the SD/SDHC/SDXC memory card can be downloaded NAS (Network Attached Storage), Local PC for instant recording
Application Programming Interface	ONVIF profile S, SUNAPI (HTTP API), SVP 1.2, Samsung Techwin Open Platform
Webpage Language	English, French, German, Spanish, Italian, Chinese, Korean, Russian, Japanese, Swedish, Danish, Portuguese, Turkish, Polish, Czech, Rumanian, Serbian, Dutch, Croatian, Hungarian, Greek, Finnish, Norwegian
Web Viewer	Supported OS : Windows XP / VISTA / 7 / 8, MAC OS X 10.7 Supported Browser : Microsoft Internet Explorer (Ver.8 ~ 11), Mozilla Firefox (Ver. 9 ~ 19), Google Chrome (Ver. 15 ~ 25), Apple Safari (Ver. 6.0.2(Mac OS X 10.8, 10.7 only), 5.1.7) * Mac OS X only
Central Management Software	SmartViewer, SSM
ENVIRONMENTAL	
Operating Temperature / Humidity	-50°C ~ +55°C (-58°F ~ +131°F) / Less than 90% RH
Storage Temperature / Humidity	-30°C ~ +60°C (-22°F ~ +140°F) / Less than 90% RH
Ingress Protection / Vandal Resistance	IP66 / IK10
ELECTRICAL	
Input Voltage / Current	24V AC only / 6A
Power Consumption	Max. 30W (Heater off) / Max. 35W/90W (Heater off/on, IR on)
MECHANICAL	
Color / Material	Ivory / Aluminum
Dimensions (WxH)	Ø248.0 x 399.5mm (Ø9.76" x 15.73")
Weight	7.1Kg (15.65 lb)

* The latest product information / specification can be found at www.samsungsecurity.com

Outstanding Performance!

1.3MP/2MP 32x High resolution PTZ

SNP-6321H/6321

2MP Full HD 32x Network PTZ Camera

- Max. 60fps@2MP (1920 x 1080)
- 32x optical zoom (16x digital zoom)
- WDR 120dB, Day & Night (ICR)
- Pan/Tilt Speed
 - Preset : 700°/sec
 - Manual : 0.024°/sec ~ 120°/sec
- Defog, Bi-directional audio support
- Tampering, Virtual line, Enter / Exit, (Dis)Appear, Audio detection, Face detection
- SD/SDHC/SDXC memory slot
- Operating temperature : -50°C ~ +55°C (SNP-6321H only)
- IP66 / IK10 (SNP-6321H only), IK10 (SNP-6321 + SHP-3701H)



SNP-5321H/5321

1.3MP HD 32x Network PTZ Camera

- Max. 60fps@1.3MP (1280 x 1024)
- 32x optical zoom (16x digital zoom)
- WDR 120dB, Day & Night (ICR)
- Pan/Tilt Speed
 - Preset : 700°/sec
 - Manual : 0.024°/sec ~ 120°/sec
- Defog, Bi-directional audio support
- Tampering, Virtual line, Enter / Exit, (Dis)Appear, Audio detection, Face detection
- SD/SDHC/SDXC memory slot
- Operating temperature : -50°C ~ +55°C (SNP-5321H only)
- IP66 / IK10 (SNP-5321H only), IK10 (SNP-5321 + SHP-3701H)

SNP-6321H/6321

2Megapixel Full HD 32x Network PTZ Dome Camera



SNP-6321H



SNP-6321

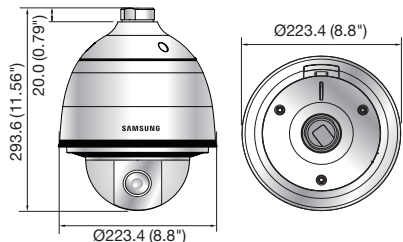
Key Features

- Max. 2M (1920 x 1080) resolution
- 16 : 9 Full HD (1080p) resolution support
- 4.44 ~ 142.6mm (32x) optical zoom, 16x digital zoom
- 0.15Lux@F1.6 (Color), 0.015Lux@F1.6 (B/W)
- H.264, MJPEG dual codec, Multiple streaming
- Day & Night (ICR), WDR (120dB), Intelligent video analytics
- PoE+, SD/SDHC/SDXC memory slot, Bi-directional audio support
- IP66 / IK10 (SNP-6321H), IK10 (SNP-6321 + SHP-3701H only)

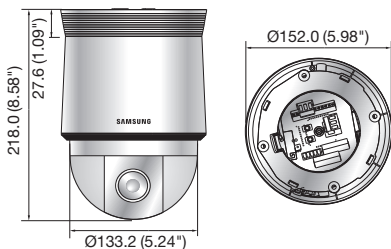
Dimensions

Unit : mm (inch)

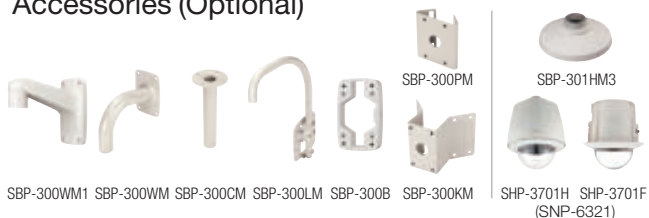
SNP-6321H



SNP-6321



Accessories (Optional)



* Data recorded on an SD memory card may be lost or damaged by data access during power-off, mechanical shock, memory card detachment, or other operations. Data loss or damage can also occur when a memory card reaches end of life, which varies according to operational conditions. No guarantee is given against damage (including passive damage).

	SNP-6321HN/HP	SNP-6321N/P
VIDEO		
Imaging Device	1/2.8" 2.38M CMOS	
Total / Effective Pixels	1,952(H) x 1,116(V), 2.18M pixels / 1,944(H) x 1,104(V), 2.14M pixels	
Scanning System	Progressive	
Min. Illumination	Color : 0.3Lux (1/30sec, F1.6, 50IRE, AGC high) , 0.005Lux (2sec, F1.6, 50IRE, AGC high) B/W : 0.03Lux (1/30sec, F1.6, 50IRE, AGC high) , 0.0005Lux (2sec, F1.6, 50IRE, AGC high) Color : 0.15Lux (1/30sec, F1.6, 30IRE) , 0.0025Lux (2sec, F1.6, 30IRE) B/W : 0.015Lux (1/30sec, F1.6, 30IRE) , 0.00025Lux (2sec, F1.6, 30IRE)	
S / N Ratio	50dB	
Video Output	CVBS : 1.0Vpp / 75Ω composite, 720 x 480(N), 720 x 576(P), for installation	
LENS		
Focal Length (Zoom Ratio)	4.44 ~ 142.6mm (Optical 32x)	
Max. Aperture Ratio	F1.6(Wide) / F4.4(Tele)	
Angular Field of View	H : 62.8°(Wide) ~ 2.23°(Tele) / V : 36.8°(Wide) ~ 1.26°(Tele)	
Min. Object Distance	Wide : 1.5m (4.92ft), Tele : 1.9m (6.23ft) Wide : 1.5m (4.92ft), Tele : 2m (6.56ft)	
Focus Control	Auto / Manual / One push	
Lens / Mount Type	DC auto iris / Board-in type	
PAN / TILT / ROTATE		
Pan / Tilt Range	360° Endless / 210° (-15° ~ 195°)	
Pan / Tilt Speed	Preset : 700°/sec, Manual : 0.024°/sec ~ 120°/sec	
Sequence	Preset (255ea), Swing, Group (6ea), Trace, Tour (1ea), Auto run, Schedule	
Preset Accuracy	±0.2°	
Azimuth	Yes (E / W / S / N / NE / NW / SE / SW)	
OPERATIONAL		
Camera Title	Off / On (Displayed up to 45 characters)	
Day & Night	Auto (ICR) / Color / B/W	
Backlight Compensation	Off / BLC	
Wide Dynamic Range	120dB	
Contrast Enhancement	SSDR (Samsung Super Dynamic Range) (Off / On)	
Digital Noise Reduction	SSNR III (2D+3D noise filter) (Off / On)	
Digital Image Stabilization	Off / On	
Defog	Off / Auto / Manual	
Motion Detection	Off / On (4ea rectangle zone)	
Privacy Masking	Off / On (32 zones of rectangle zone) with zoom threshold mosaic option	
Gain Control	Off / Low / Middle / High	
White Balance	ATW / AWC / Manual / Indoor / Outdoor / Mercury	
Electronic Shutter Speed	Minimum / Maximum / Anti flicker (2 ~ 1/12,000sec)	
Digital Zoom	16x	
Flip / Mirror	Off / On	
Intelligent Video Analytics	Tampering, Virtual line, Enter / Exit, (Dis)Appear, Audio detection, Face detection	
Alarm I/O	Input 4ea / Output 2ea (Relay)	
Remote Control Interface	RS-485	
RS-485 Protocol	Samsung-T/E, Pelco-P/D, Panasonic, Honeywell, AD, Vicon, Bosch, GE	
Alarm Triggers	Motion detection, Tampering, Audio detection, Face detection, Video analytics, Alarm input, Network disconnection	
Alarm Events	File upload via FTP and E-mail, Notification via E-mail, TCP and HTTP, Local storage (SD/SDHC/SDXC) or NAS recording at network disconnected & event (Alarm triggers), External output	
NETWORK		
Ethernet	RJ-45 (10/100BASE-T)	
Video Compression Format	H.264 (MPEG-4 part 10 / AVC), MJPEG	
Resolution	1920 x 1080, 1280 x 1024, 1280 x 960, 1280 x 720, 1024 x 768, 800 x 600, 800 x 450, 720 x 576, 640 x 480, 640 x 360, 320 x 240, 320 x 180 H.264 : Max. 60fps at all resolutions	
Max. Framerate	MJPEG : 1920 x 1080, 1280 x 1024, 1280 x 960, 1280 x 720, 1024 x 768 : Max. 15fps 800 x 600, 800 x 450, 720 x 576, 640 x 480, 640 x 360, 320 x 240, 320 x 180 : Max. 30fps	
Smart Codec	Yes	
Video Quality Adjustment	H.264 : Compression level, Target bitrate level control, MJPEG : Quality level control	
Bitrate Control Method	H.264 : CBR or VBR, MJPEG : VBR	
Streaming Capability	Multiple streaming (Up to 10 profiles)	
Audio In	Selectable (Mic in / Line in), Supply voltage : 2.5V DC (4mA), Input impedance : approx. 2K Ohm	
Audio Out	Line out (3.5mm mono jack), Max output level : 1Vrms G.711 u-law/G.726 selectable, G.726 (ADPCM) 8KHz, G.711 8KHz, G.726 : 16Kbps, 24Kbps, 32Kbps, 40Kbps	
Audio Compression Format	Bi-directional audio	
Audio Communication	IPV4, IPV6	
IP	TCP/IP, UDP/IP, RTP(UDP), RTP(TCP), RTCP, RTSP, NTP, HTTP, HTTPS, SSL, DHCP, PPPoE, FTP, SMTP, ICMP, IGMP, SNMPv1/v2c/v3(MIB-2), ARP, DNS, DDNS, QoS, PIM-SM, UPnP, Bonjour	
Protocol	HTTPS(SSL) login authentication, Digest login authentication IP address filtering, User access log, 802.1x authentication	
Security	Unicast / Multicast	
Streaming Method	10 users at unicast mode	
Max. User Access	SD/SDHC/SDXC slot for supporting memory card	
Edge Storage	Motion Images recorded in the SD/SDHC/SDXC memory card can be downloaded NAS (Network Attached Storage)	
Application Programming Interface	ONVIF profile S, SUNAPI (HTTP API), SVNP 1.2, Samsung Techwin Open Platform	
Webpage Language	English, French, German, Spanish, Italian, Chinese, Korean, Russian, Japanese, Swedish, Danish, Portuguese, Turkish, Polish, Czech, Rumanian, Serbian, Dutch, Croatian, Hungarian, Greek, Finnish, Norwegian	
Supported OS	Supported OS : Windows XP / VISTA / 7 / 8, MAC OS X 10.7	
Web Viewer	Supported Browser : Microsoft Internet Explorer (Ver. 8 ~ 11), Mozilla Firefox (Ver. 9 ~ 19), Google Chrome (Ver. 15 ~ 25), Apple Safari (Ver. 6.0.2(Mac OS X 10.8, 10.7 only), 5.1.7) * Mac OS X only	
Central Management Software	SmartViewer, SSM	
ENVIRONMENTAL		
Operating Temperature / Humidity	24V AC : -50°C ~ +55°C (-58°F ~ +131°F) / Less than ~ 90% RH PoE+ : -30°C ~ +55°C (-22°F ~ +131°F) / Less than 90% RH -10°C ~ +55°C (+14°F ~ +131°F) / Less than 90% RH	
Storage Temperature / Humidity	-30°C ~ +60°C (-22°F ~ +140°F) / Less than 90% RH	
Ingress Protection	IP66	
Vandal Resistance	IK10	
ELECTRICAL		
Input Voltage / Current	24V AC ±10%, PoE+ (IEEE802.3af, Class4)	
Power Consumption	24V AC : Max. 65W (24V AC heater on & PoE heater on) PoE+ : Max. 25W (24V AC heater off / PoE heater on) Max. 20W	
MECHANICAL		
Color / Material	Ivory / Plastic + Metal	
Dimensions (WxH)	Ø223.4 x 293.6mm (Ø8.8" x 11.56") Ø152.0 x 218.0mm (Ø5.98" x 8.58")	
Weight	3.2Kg (7.05 lb) 1.8Kg (3.97 lb)	

* The latest product information / specification can be found at www.samsungsecurity.com

SNP-5321H/5321

1.3Megapixel HD 32x Network PTZ Dome Camera



SNP-5321H



SNP-5321

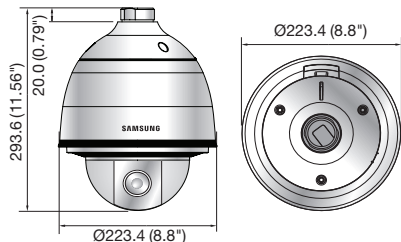
Key Features

- Max. 1.3M (1280 x 1024) resolution
- 16 : 9 HD (720p) resolution support
- 4.44 ~ 142.6mm (32x) optical zoom, 16x digital zoom
- 0.05Lux@F1.6 (Color), 0.005Lux@F1.6 (B/W)
- H.264, MJPEG dual codec, Multiple streaming
- Day & Night (ICR), WDR (120dB), Intelligent video analytics
- PoE+, SD/SDHC/SDXC memory slot, Bi-directional audio support
- IP66 / IK10 (SNP-5321H), IK10 (SNP-5321 + SHP-3701H only)

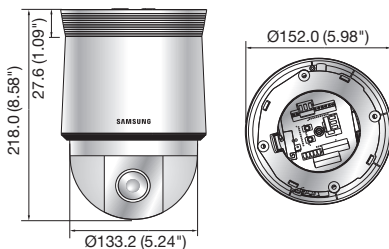
Dimensions

Unit : mm (inch)

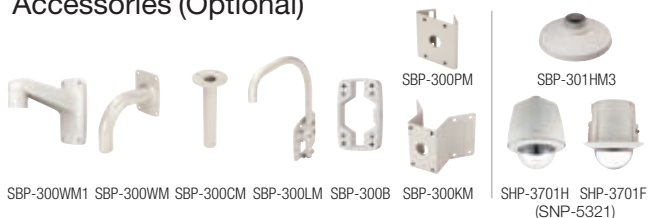
SNP-5321H



SNP-5321



Accessories (Optional)



* Data recorded on an SD memory card may be lost or damaged by data access during power-off, mechanical shock, memory card detachment, or other operations. Data loss or damage can also occur when a memory card reaches end of life, which varies according to operational conditions. No guarantee is given against damage (including passive damage).

	SNP-5321HN/HP	SNP-5321N/P
VIDEO		
Imaging Device	1/3" 1.3M CMOS	
Total / Effective Pixels	1,312(H) x 1,069(V), 1.40M pixels / 1,305(H) x 1,049(V), 1.37M pixels	
Scanning System	Progressive	
Min. Illumination	Color : 0.1Lux (1/30sec, F1.6, 50IRE, AGC high), 0.005Lux (2sec, F1.6, 50IRE, AGC high) B/W : 0.01Lux (1/30sec, F1.6, 50IRE, AGC high), 0.0005Lux (2sec, F1.6, 50IRE, AGC high) Color : 0.05Lux (1/30sec, F1.6, 30IRE), 0.0025Lux (2sec, F1.6, 30IRE) B/W : 0.005Lux (1/30sec, F1.6, 30IRE), 0.00025Lux (2sec, F1.6, 30IRE)	
S / N Ratio	50dB	
Video Output	CVBS : 1.0Vpp / 75Ω composite, 720 x 480(N), 720 x 576(P), for installation	
LENS		
Focal Length (Zoom Ratio)	4.44 ~ 142.6mm (Optical 32x)	
Max. Aperture Ratio	F1.6(Wide) / F4.4(Tele)	
Angular Field of View	H : 56.8°(Wide) ~ 1.99°(Tele) / V : 46.3°(Wide) ~ 1.6°(Tele)	
Min. Object Distance	Wide : 1.5m (4.92ft), Tele : 1.9m (6.23ft) Wide : 1.5m (4.92ft), Tele : 2m (6.56ft)	
Focus Control	Auto / Manual / One push	
Lens / Mount Type	DC auto iris / Board-in type	
PAN / TILT / ROTATE		
Pan / Tilt Range	360° Endless / 210° (-15° ~ 195°)	
Pan / Tilt Speed	Preset : 700°/sec, Manual : 0.024°/sec ~ 120°/sec	
Sequence	Preset (255ea), Swing, Group (6ea), Trace, Tour (1ea), Auto run, Schedule	
Preset Accuracy	±0.2°	
Azimuth	Yes (E / W / S / N / NE / NW / SE / SW)	
OPERATIONAL		
Camera Title	Off / On (Displayed up to 45 characters)	
Day & Night	Auto (ICR) / Color / B/W	
Backlight Compensation	Off / BLC / WDR	
Wide Dynamic Range	120dB	
Contrast Enhancement	SSDR (Samsung Super Dynamic Range) (Off / On)	
Digital Noise Reduction	SSNRILL (2D+3D noise filter) (Off / On)	
Digital Image Stabilization	Off / On	
Defog	Off / Auto / Manual	
Motion Detection	Off / On (4ea rectangle zone)	
Privacy Masking	Off / On (32 zones of rectangle zone) with zoom threshold mosaic option	
Gain Control	Off / Low / Middle / High	
White Balance	ATW / AWC / Manual / Indoor / Outdoor / Mercury	
Electronic Shutter Speed	Minimum / Maximum / Anti flicker (2 ~ 1/12,000sec)	
Digital Zoom	16x	
Flip / Mirror	Off / On	
Intelligent Video Analytics	Tampering, Virtual line, Enter / Exit, (Dis)Appear, Audio detection, Face detection	
Alarm I/O	Input 4ea / Output 2ea (Relay)	
Remote Control Interface	RS-485	
RS-485 Protocol	Samsung-T/E, Pelco-P/D, Panasonic, Honeywell, AD, Vicon, Bosch, GE	
Alarm Triggers	Motion detection, Tampering, Audio detection, Face detection, Video analytics, Alarm input, Network disconnection	
Alarm Events	File upload via FTP and E-mail, Notification via E-mail, TCP and HTTP, Local storage (SD/SDHC/SDXC) or NAS recording at Alarm triggers, External output	
NETWORK		
Ethernet	RJ-45 (10/100BASE-T)	
Video Compression Format	H.264 (MPEG-4 part 10 / AVC), MJPEG	
Resolution	1280 x 1024, 1280 x 960, 1280 x 720, 1024 x 768, 800 x 600, 800 x 450, 720 x 576, 640 x 480, 640 x 360, 320 x 240, 320 x 180	
Max. Framerate	H.264 : Max. 60fps at all resolutions MJPEG : 1280 x 1024, 1280 x 960, 1280 x 720, 1024 x 768 : Max. 15fps 800 x 600, 800 x 450, 720 x 576, 640 x 480, 640 x 360, 320 x 240, 320 x 180 : Max. 30fps	
Smart Codec	Manual mode (Area-based : 5ea), Face detection mode	
Video Quality Adjustment	H.264 : Compression level, Target bitrate level control, MJPEG : Quality level control	
Bitrate Control Method	H.264 : CBR or VBR, MJPEG : VBR	
Streaming Capability	Multiple streaming (Up to 10 profiles)	
Audio In	Selectable (Mic in / Line in), Supply voltage : 2.5V DC (4mA), Input impedance : approx. 2K Ohm	
Audio Out	Line out (3.5mm mono jack), Max output level : 1Vrms	
Audio Compression Format	G.711 u-law/G.726 selectable, G.726 (ADPCM) 8KHz, G.711 8KHz, G.726 : 16Kbps, 24Kbps, 32Kbps, 40Kbps	
Audio Communication	Bi-directional audio	
IP	IPv4, IPv6	
Protocol	TCP/IP, UDP/IP, RTP(UDP), RTP(TCP), RTCP, RTSP, NTP, HTTP, HTTPS, SSL, DHCP, PPPoE, FTP, SMTP, ICMP, IGMP, SNMPv1/v2c/v3(MIB-2), ARP, DNS, DDNS, QoS, PIM-SM, UPnP, Bonjour	
Security	HTTPS(SSL) login authentication, Digest login authentication IP address filtering, User access log, 802.1x authentication	
Streaming Method	Unicast / Multicast	
Max. User Access	10 users at unicast mode	
Edge Storage	SD/SDHC/SDXC slot for supporting memory card Motion Images recorded in the SD/SDHC/SDXC memory card can be downloaded NAS (Network Attached Storage)	
Application Programming Interface	ONVIF profile S, SUNAPI (HTTP API), SVNP 1.2, Samsung Techwin Open Platform	
Webpage Language	English, French, German, Spanish, Italian, Chinese, Korean, Russian, Japanese, Swedish, Danish, Portuguese, Turkish, Polish, Czech, Rumanian, Serbian, Dutch, Croatian, Hungarian, Greek, Finnish, Norwegian	
Web Viewer	Supported OS : Windows XP / VISTA / 7 / 8, MAC OS X 10.7 Supported Browser : Microsoft Internet Explorer (Ver. 8 ~ 11), Mozilla Firefox (Ver. 9 ~ 19), Google Chrome (Ver. 15 ~ 32), Apple Safari (Ver. 6.0.2(Mac OS X 10.8, 10.7 only), 5.1.7) * Mac OS X only	
Central Management Software	SmartViewer, SSM	
ENVIRONMENTAL		
Operating Temperature / Humidity	24V AC : -50°C ~ +55°C (-58°F ~ +131°F) / Less than ~ 90% RH PoE+ : -30°C ~ +55°C (-22°F ~ +131°F) / Less than 90% RH	
Storage Temperature / Humidity	-30°C ~ +60°C (-22°F ~ +140°F) / Less than 90% RH	
Ingress Protection	IP66	
Vandal Resistance	IK10	
ELECTRICAL		
Input Voltage / Current	24V AC ±10%, PoE+ (IEEE802.3af, Class4) 24V AC : Max. 65W (24V AC heater on & PoE heater on) PoE+ : Max. 25W (24V AC heater off / PoE heater on)	
Power Consumption	Max. 20W	
MECHANICAL		
Color / Material	Ivory / Plastic + Metal	
Dimensions (WxH)	Ø223.4 x 293.6mm (Ø8.8" x 11.56") Ø152.0 x 218.0mm (Ø5.98" x 8.58")	
Weight	3.2Kg (7.05 lb) 1.8Kg (3.97 lb)	

* The latest product information / specification can be found at www.samsungsecurity.com

PTZ Housings/Mounts

		SHP-3701H	SHP-3701F
			
		SHP-3701H	SHP-3701F
Operating Temperature		-50°C ~ +50°C (-58°F ~ +122°F)	-10°C ~ +50°C (+14°F ~ +122°F)
Operating Humidity		0 ~ 90% RH	0 ~ 90% RH
Materials	Body	Aluminum + Poly carbonate	Poly carbonate
	Bubble	Poly carbonate	Poly carbonate
Ingress Protection		IP66	N/A
Vandal Resistance		IK10	N/A
Dimensions (WxHxD)	External	Ø250.0 x 319.0mm (Ø9.84" x 12.56")	Ø254.0 x 276.4mm (Ø10" x 10.88")
	Internal	Ø195.0 x 230.0mm (Ø7.68" x 9.06")	Ø186.0 x 242.0mm (Ø7.32" x 9.53") (145 at Housing)
Weight		2.9Kg (6.39 lb)	830g (1.83 lb)
Input Voltage		24V AC	N/A
Power Consumption		Max. 50W	N/A
Color		Ivory	Ivory
Applicable Model		SCP-3430/3371/3370 SCP-3250/2430/2373 SCP-2371/2370/2330 SCP-2273/2271/2270/2250 SNP-6321/6320/6201/6200 SNP-5430/5321/5300/5200 SNP-3371/3302	SCP-3430/3371/3370 SCP-3250/2430/2373 SCP-2371/2370/2330 SCP-2273/2271/2270/2250 SNP-6321/6320/6201/6200 SNP-5430/5321/5300/5200 SNP-3371/3302

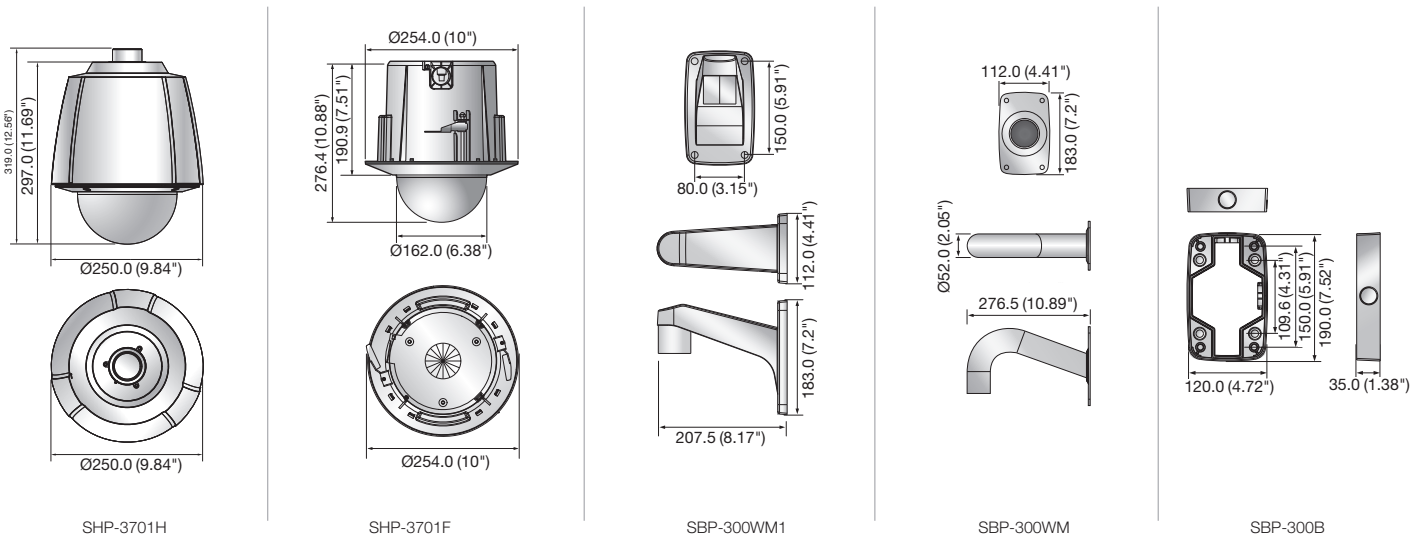
* The latest product information / specification can be found at www.samsungsecurity.com

		Wall Mount	Wall Mount	Wall Mount Base
		SBP-300WM1	SBP-300WM	SBP-300B
				
		SBP-300WM1	SBP-300WM	SBP-300B
Materials		Aluminum + SECC	Aluminum + SECC	Aluminum + SECC
Dimensions (WxHxD)		112.0 x 183.0 x 207.5mm (4.41" x 7.2" x 8.17")	112.0 x 183.0 x 276.5mm (4.41" x 7.2" x 10.89")	120.0 x 190.9 x 35.0mm (4.72" x 7.52" x 1.38")
Pipe Thread		1 1/2" PF	1 1/2" PF	N/A
Weight		850g (1.87 lb)	850g (1.87 lb)	700g (1.54 lb)
Color		Ivory	Ivory	Ivory
Applicable Model		SCP-3430H/3371H SCP-3370TH/3370H SCP-3250H/3120VH SCP-2430H/2373H/2371H SCP-2370TH/2370H SCP-2370RH/2330H SCP-2273H/2271H SCP-2270H/2250H SNP-6321H/6320H/6201H SNP-6320RH/6200RH/6200H SNP-5430H/5321H SNP-5300H/5200H SNP-3371TH/3371H SNP-3302H/3120VH	SCP-3430H/3371H SCP-3370TH/3370H SCP-3250H/3120VH SCP-2430H/2373H/2371H SCP-2370TH/2370H SCP-2370RH/2330H SCP-2273H/2271H SCP-2270H/2250H SNP-6321H/6320H/6201H SNP-6320RH/6200RH/6200H SNP-5430H/5321H SNP-5300H/5200H SNP-3371TH/3371H SNP-3302H/3120VH	SBP-300WM1 SBP-300WM

* The latest product information / specification can be found at www.samsungsecurity.com

Dimensions

Unit : mm (inch)



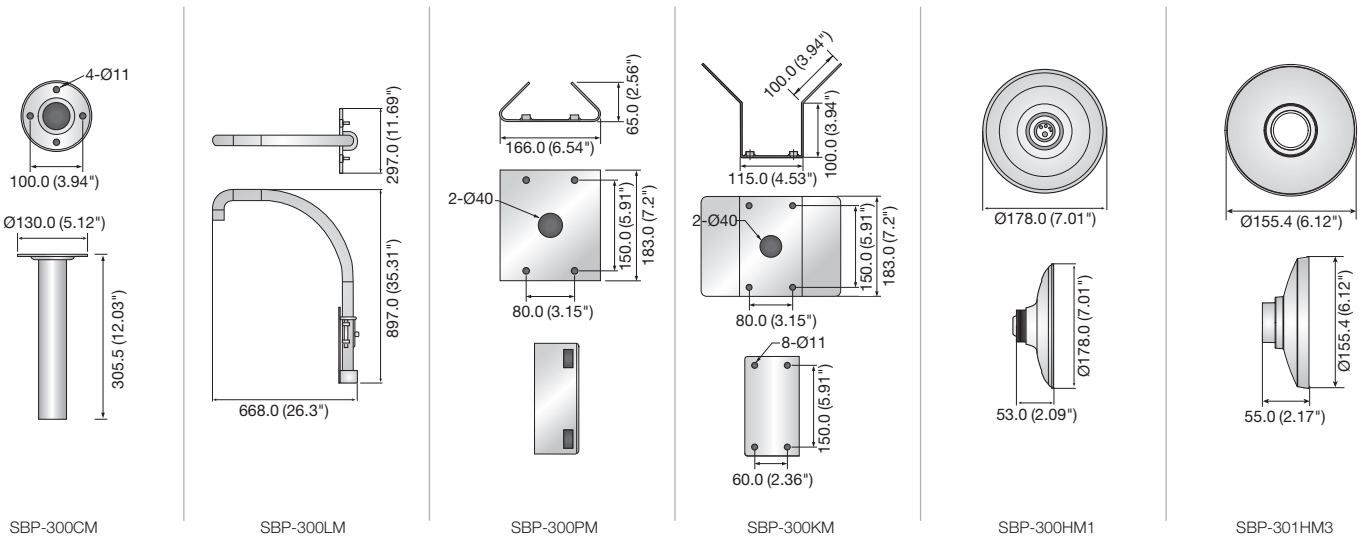
PTZ Mounts

						
	SBP-300CM	SBP-300LM	SBP-300PM	SBP-300KM	SBP-300HM1	SBP-301HM3
Materials	Aluminum + SECC	Aluminum + SECC	SECC	SECC	Aluminum	Aluminum
Dimensions (WxHxD)	Ø130.0 x 305.5mm (Ø5.12" x 12.03")	297.0 x 897.0 x 668.0mm (11.69" x 35.31" x 26.3")	166.0 x 183.0 x 65.0mm (6.54" x 7.2" x 2.56")	115.0 x 183.0 x 100.0mm (4.53" x 7.2" x 3.94")	Ø178.0 x 53.0mm (Ø7.01" x 2.09")	Ø155.4 x 55.0mm (Ø6.12" x 2.17")
Pipe Thread	1 1/2" PF	1 1/2" PF	N/A	N/A	N/A	N/A
Weight	700g (1.54 lb)	3.5Kg (7.72 lb)	1.4Kg (3.09 lb)	2.2Kg (4.85 lb)	500g (1.1 lb)	500g (1.1 lb)
Color	Ivory	Ivory	Ivory	Ivory	Ivory	Ivory
Applicable Model	SCP-3430H/3371H SCP-3370TH/3370H SCP-3250H/3120VH SCP-2430H/2373H/2371H SCP-2370TH/2370H SCP-2370RH/2330H SCP-2273H/2271H SCP-2270H/2250H SNP-6321H/6320H/6201H SNP-6320RH/6200RH/6200H SNP-5430H/5321H SNP-5300H/5200H SNP-3371TH/3371H SNP-3302H/3120VH	SCP-3430H/3371H SCP-3370TH/3370H SCP-3250H/3120VH SCP-2430H/2373H/2371H SCP-2370TH/2370H SCP-2370RH/2330H SCP-2273H/2271H SCP-2270H/2250H SNP-6321H/6320H/6201H SNP-6320RH/6200RH/6200H SNP-5430H/5321H SNP-5300H/5200H SNP-3371TH/3371H SNP-3302H/3120VH	SBP-300WM1 SBP-300WM SBP-300B	SBP-300WM1 SBP-300WM SBP-300B	SCP-3430/3370 SCP-3250/3120 SCP-2430/2370 SCP-2330 SCP-2270/2250/2120 SNP-6200 SNP-5200 SNP-3371/3302/3120 SBP-300WM1/300WM SBP-300CM/300LM	SNP-6321/6320/6201 SNP-5430/5321/5300 SNV-3120/3082 SBP-300WM1/300WM SBP-300CM/300LM

* The latest product information / specification can be found at www.samsungsecurity.com

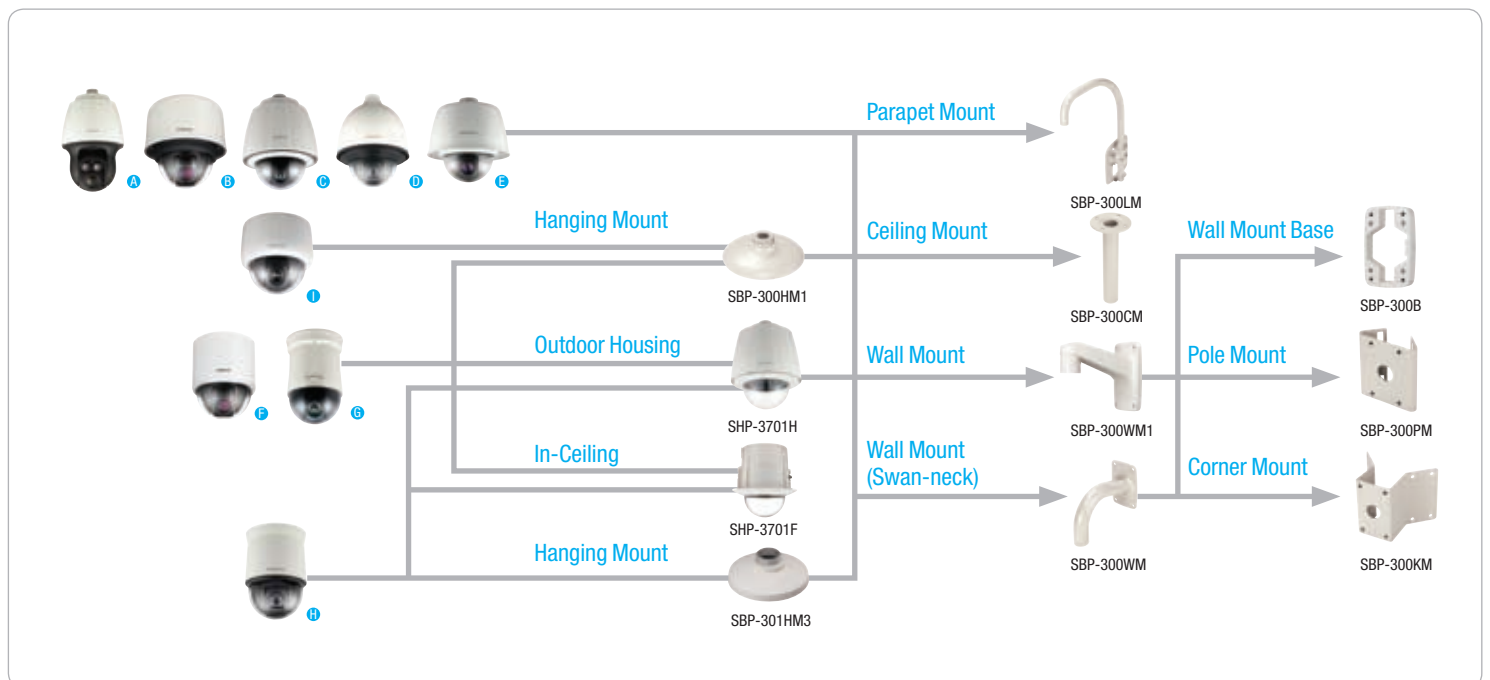
Dimensions

Unit : mm (inch)



Accessories Configuration

Type	Outdoor PTZ					Indoor PTZ			
Shape									
Color	Ivory								
Model	SCP-2370RH SNP-6320RH SNP-6200RH	SCP-3430H SCP-3250H SCP-2430H SCP-2250H	SCP-3370TH SCP-3370H SCP-2370TH SCP-2370H SCP-2330H SCP-2270H SNP-6200H SNP-5200H SNP-3371TH SNP-3371H SNP-3302H	SCP-3371H SCP-2373H SCP-2371H SCP-2273H SCP-2271H SNP-6321H SNP-6320H SNP-6201H SNP-5430H SNP-5321H SNP-5320H SNP-5300H	SCP-3120VH SNP-3120VH	SCP-3430 SCP-3250 SCP-2430 SCP-2250	SCP-3370 SCP-2370 SCP-2330 SCP-2270 SNP-6200 SNP-5200 SNP-3371 SNP-3302	SCP-3371 SCP-2373 SCP-2371 SCP-2273 SCP-2271 SNP-6321 SNP-6320 SNP-6201 SNP-5430 SNP-5321 SNP-5320 SNP-5300	SCP-3120 SCP-2120 SNP-3120



Network PTZ

SAMSUNG TECHWIN CO., LTD.

6, Pangyo-ro 319beon-gil, Bundang-gu, Seongnam-si,
Gyeonggi-do, SEOUL 463-400 Rep. of KOREA
Tel : +82-70-7147-8753, 8764 Fax : +82-31-8018-3740
www.samsungsecurity.com

SAMSUNG TECHWIN EUROPE LTD.

2nd Floor, No. 5 The Heights, Brooklands, Weybridge, Surrey,
KT13 0NY, UK
Tel : +44-1932-82-6700 Fax : +44-1932-82-6701
www.samsungsecurity.co.uk

SAMSUNG TECHWIN AMERICA Inc.

100 Challenger Rd, Suite 700 Ridgely Park, NJ 07660
Toll Free : +1-877-213-1222 Direct : +1-201-325-6920
Fax : +1-201-373-0124
www.samsung-security.com

SAMSUNG TECHWIN AMERICA Inc.

Latin America Branch Office
5200 Blue Lagoon Dr, Ste 210, Miami, FL, 33126
Tel : +1-305-728-0975 Fax : +1-305-351-8900
www.samsung-security.com

SHANGHAI SAMSUNG TECHWIN CO., LTD.

32F, Blk B, New Caohejing International Business Center,
No. 391 Guiping Rd., Shanghai, China, 200233
Tel : +86-21-5427-1155 Fax : +86-21-5423-5122
www.samsungsecurity.cn

SAMSUNG TECHWIN CO., LTD.

Dubai Branch Office
Arenco Tower-803, Opposite American University of Dubai
Dubai Media City, Dubai, UAE.
Tel : +971-4-447-8601 Fax : +971-4-447-8666
www.samsungsecurity.com

© 2015 SAMSUNG TECHWIN CO., LTD. ALL RIGHTS RESERVED.

DESIGN AND SPECIFICATIONS ARE SUBJECT TO CHANGE WITHOUT NOTICE
Under no circumstances, this document shall be reproduced, distributed or changed,
partially or wholly, without formal authorization of Samsung Techwin Co., Ltd.,
iPOLiS, WiseNet, LiteNet, SSNR are trademarks of Samsung Techwin Co., Ltd.



SAMSUNG TECHWIN