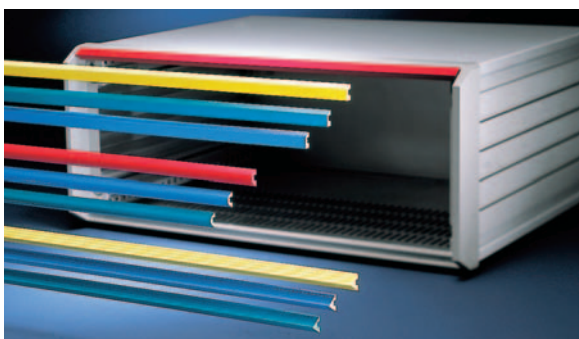


Overview	0
Cabinets	1
Wall mounted cases	2
Accessories for cabinets and wall mounted cases	3
Climate control	4
Desk-top cases	5
Subracks/ 19" chassis	6
Front panels, plug-in units	7
Systems	8
Power supply units	9
Backplanes	10
Connectors, front panel component system	11
Appendix	12

Desk-top cases - *propac*



06800002



05894020

Exchangeable design element



05895003

Accessories for the portable version

Standard

- Internal dimensions in accordance with IEC 60297-3
- Type of protection IP 20 in accordance with IEC 60529
- Protective GND/earthing connections in accordance with
EN 50178 /
EN 60950 /
EN 61010-1 /
EN 61010-1A2 /
- EMC tests in accordance with IEC 1587

Modifications

- Special colours
- Special depths
- Cut-out in cover, base plate or side panel
- Printing on the front and rear panels
- Assembly service according to customer specification
- Customised design elements
- Fan rear panels



Further important information can be found on the internet
under www.schroff.biz



Desk-top cases - *propac*

Overview 5.40

Desktop case or portable case

- Alternative design to compacPRO
- Type of protection IP 20
- EMC shielding retrofittable
- Extensive accessories, coordinated to portable applications



Desk-top enclosure

05895004



Portable version

05894012



Tower

05894024

propac Accessories

Cases

2, 3 U	5.42
4, 6 U	5.43
Tower case	5.44

propac Accessories

Front panels	5.45
Rear panels	5.46
EMC side panel	
seal	5.47
Design elements	5.48
Infill panel	5.49
Carrying handle	5.50
Air filter	5.51
Front hood	5.52
Rear hood	5.53
Chassis plate	5.54
Earthing kit	5.54
Mounting position	
horizontal	5.55
Horizontal rails	5.56
Cable holder	5.59
Z-rail/	
perforated rail	5.60
Threaded inserts	5.61
Perforated strips	5.62
Slide nuts	5.63
Insulation strip	5.64
Guide rails	5.66
Tip-up feet made	5.71

Desk-top cases - *propac*

Case 2 and 3 U

Delivery comprises (in kit form, item 1– 4 assembled)

Item	Qty	Description
1	1	Frame, Al die-cast, powder-coated, RAL 7030 dark grey
2	2	Side panel, Al profile, powder-coated, RAL 7035 light grey
3	2	Top and base, Al, 1 mm, internal surface conductive, visible surface powder-coated, RAL 7035 light grey, with GND/earthing connection, base with 4 rows of ventilation slots
4	2	Rear foot, ABS, RAL 7030 dark grey, UL 94 V-0
5	4	Case foot with anti-slip protection, PC, black, UL 94 V-0

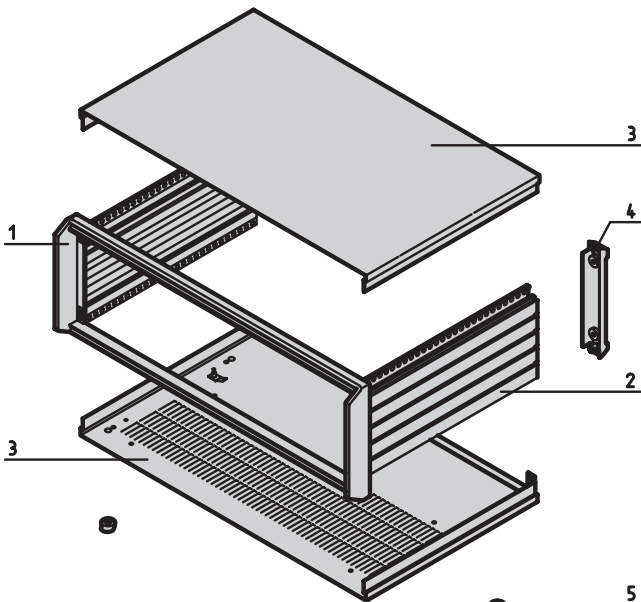
Order Information

Usable width W2	Width W1	Depth D	2 U		3 U	
			Order no.	Order no.	Order no.	Order no.
28	147.3	185.9	256	-	10850-013	-
28	147.3	185.9	316	-	10850-014	-
42	218.4	257	256	10850-001	10850-015	-
42	218.4	257	316	10850-002	10850-016	-
42	218.4	257	376	-	10850-017	-
63	325.1	363.7	256	10850-004	10850-019	-
63	325.1	363.7	316	10850-005	10850-020	-
63	325.1	363.7	376	10850-006	10850-021	-
84	431.8	470.3	256	-	10850-023	-
84	431.8	470.3	316	-	10850-024	-
84	431.8	470.3	376	-	10850-025	-
84	431.8	470.3	436	-	10850-026	-
84	431.8	470.3	496	-	10850-027	-

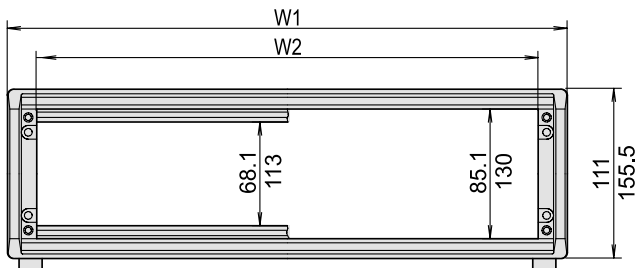
Maximum mounting depth = D - 45
(open space: front panel - rear panel)



For further information www.schroff.biz/oneclick
oneClick code = Order no.

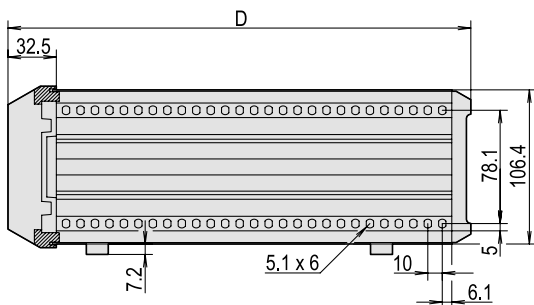


2 U / 3 U



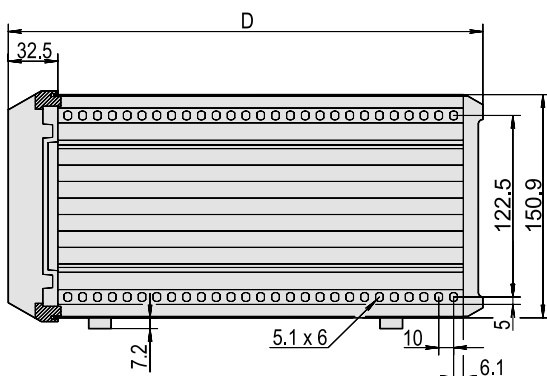
W2 = useable width, 1 HE = 1 U

2 U



05802051

3 U

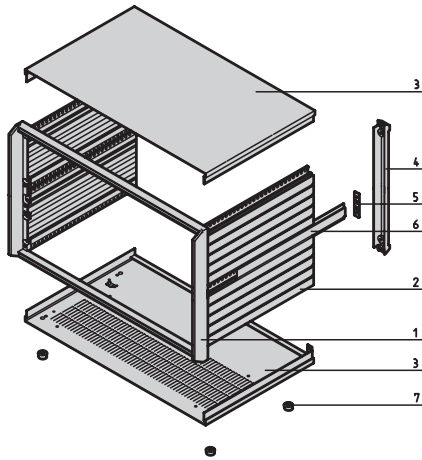


05802052



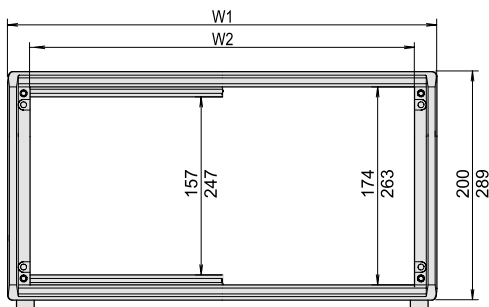
Desk-top cases - *propac*

Case 4 and 6 U



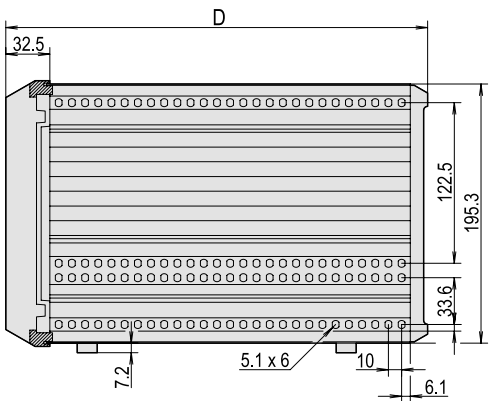
PPA45100

4 U/ 6 U



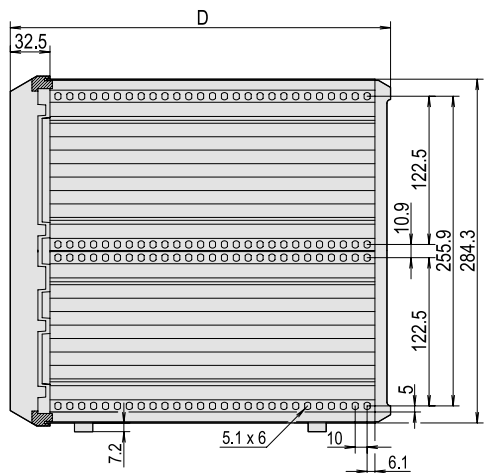
W2 = useable width, 1 HE = 1 U

4 U



05802053

6U



05802054

05802055

Delivery comprises (in kit form, items 1 - 6 assembled)

Item	Qty		Description
	4 U	6U	
1	1	1	Frame, Al die-cast, powder-coated, RAL 7030 dark grey
2	2	4	Side panel, Al profile, powder-coated, RAL 7035 light grey
3	2	2	Top and base, Al, 1 mm, internal surface conductive, visible surface powder-coated, RAL 7035 light grey, with GND/earthing connection, base with 4 rows of ventilation slots
4	2	2	Rear foot, ABS, RAL 7030 dark grey, UL 94 V-0
5	-	2	Adapter bracket, Al
6	2	2	Side panel cover rail, Al profile, powder-coated, RAL 7035 light grey
7	4	4	Case foot with anti-slip protection, PC, black, UL 94 V-0

Order Information

Usable width W2	Width W1 W2	Depth D mm	4 U	6U
			Order no.	Order no.
42	218.4	257	256	10850-029 -
42	218.4	257	316	10850-030 -
63	325.1	363.7	256	10850-033 -
63	325.1	363.7	316	10850-034 -
63	325.1	363.7	376	10850-035 -
63	325.1	363.7	436	10850-036 -
84	431.8	470.3	316	- 10850-054
84	431.8	470.3	376	10850-040 10850-055
84	431.8	470.3	436	10850-041 10850-056
84	431.8	470.3	496	10850-042 10850-057

Maximum mounting depth = D - 45
(open space: front panel - rear panel)



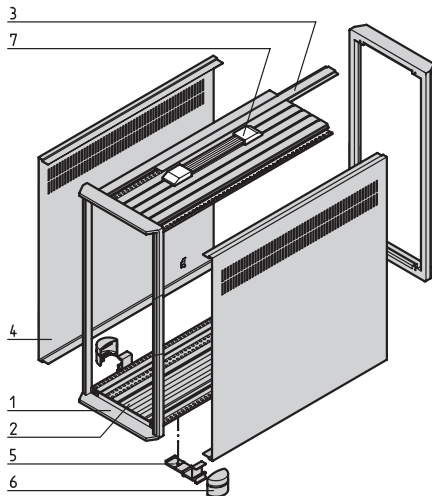
For further information www.schroff.biz/oneclick
oneClick code = Order no.



Desk-top cases - *propac*

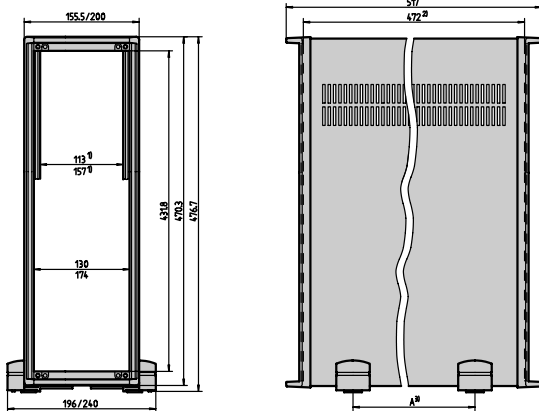
Tower case 3 and 4 U

3 U/4 U



¹⁾ Open space between horizontal rails; ²⁾ Max. mounting depth $t = 472 \text{ mm}$; ³⁾ Can be mounted variably

PPA44460



05803050

Delivery comprises (in kit form, items 1 - 4 assembled)

Item	Qty	Description
1	2	Frame, Al die-cast, powder-coated, RAL 7030 dark grey
2	2	Base/top cover, Al profile, powder-coated, RAL 7035 light grey
3	1	Cover rail, Al profile, powder-coated, RAL 7035 light grey, only with 4 U
4	2	Side plates with ventilation slots, Al, 1 mm, internal surface conductive, visible surface powder-coated RAL 7035 light grey, with GND/earthing connection
5	4	Case foot, Al profile
6	4	Foot cover, PC, RAL 7030 dark grey

Please order strap handle separately

Order Information

Description	Order no.
3 U tower case	10851-200
4 U tower case	10851-205
Strap handle (Item 7) Steel spring, plastic-sheathed, grey, 1 piece	20850-250



For further information www.schroff.biz/oneclick
oneClick code = Order no.

Panels for tower rear panel

- Required if front panels are used as rear panels

Delivery comprises

Item	Qty	Description
1	2	Panel for propac tower rear panel, aluminium profile, 2.2 mm, anodic coating
2	4	Flathead screws, M 4 x 6, nickel-plated steel

Order Information

Description	Order no.
For tower case 3 U width	20850-386
For tower case 4 U width	20850-387

- Front panels, see chapter 'Plug-in units - front panels'



For further information www.schroff.biz/oneclick
oneClick code = Order no.

PPA45101



Desk-top cases - *propac* Accessories

Full-width front panel

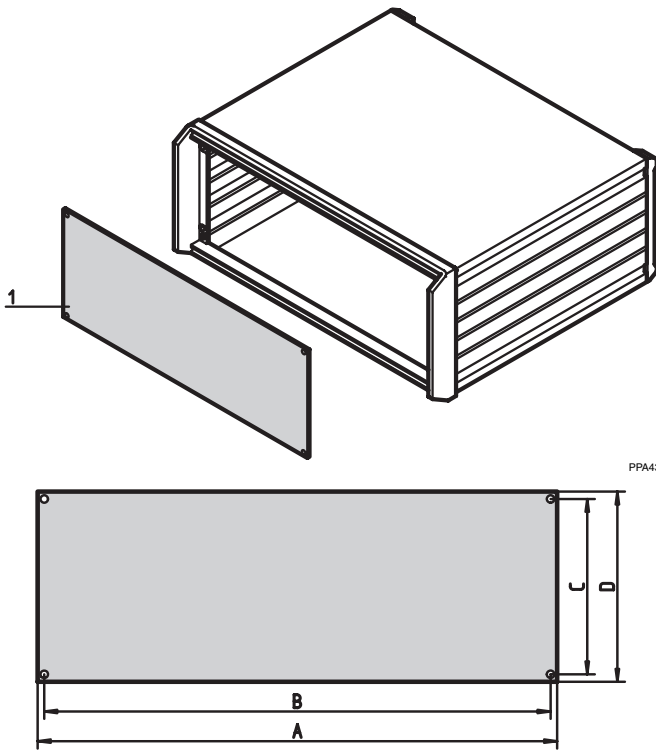
- Assembly directly on the case frame

Delivery comprises (kit)

Item	Qty	Description
1	1	Full-width front panel, Al, 2 mm, (with 84 HP = 2.5 mm), anodised, untreated cut edges
2	1	Assembly kit

Order Information

For case height	For case width	A	B	C	D	Order no.
U	HP	mm	mm	mm	mm	
2	42	238.7	230	74	84	20850-128
2	63	345.4	336.7	74	84	20850-129
2	84	452	443.3	74	84	20850-130
3	28	167.6	158.9	118.5	128.5	20850-134
3	42	238.7	230	118.5	128.5	20850-135
3	63	345.4	336.7	118.5	128.5	20850-136
3	84	452	443.3	118.5	128.5	20850-137
4	42	238.7	230	162.9	172.9	20850-142
4	63	345.4	336.7	162.9	172.9	20850-143
4	84	452	443.3	162.9	172.9	20850-144
6	84	452	443.3	258.8	261.8	20850-158



For further information www.schroff.biz/oneclick
oneClick code = Order no.

EMC partial width front panel 1 U

- Assembly on horizontal rails
- Only for propac 4 U

Delivery comprises (kit)

Item	Qty	Description
1	1	Front panel, Al, 2.5 mm, metal sleeves pressed in, front anodised, rear side chromated
2	2	Contact strips, stainless steel
5	1	Assembly kit

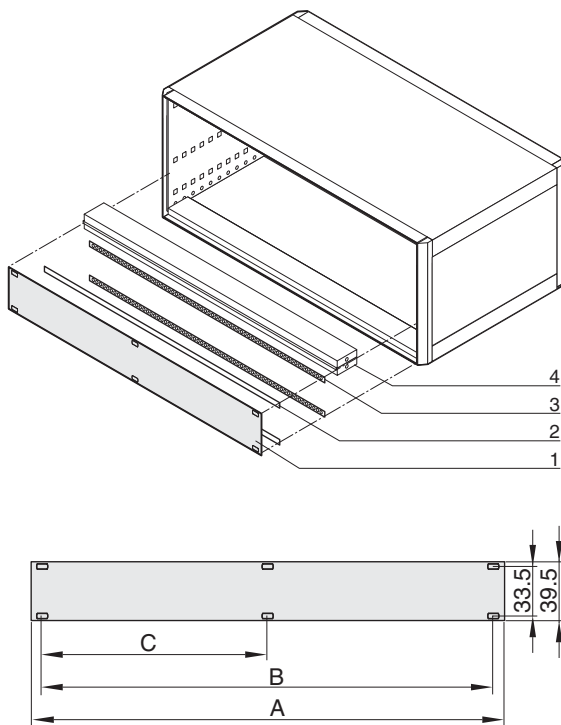
Order Information

Width	A	B	C	Order no.
HP	mm	mm	mm	
42	213	196.1	101.6	20850-285
63	319.7	304.8	157.5	20850-286
84	426.4	411.5	203.2	20850-287

Note

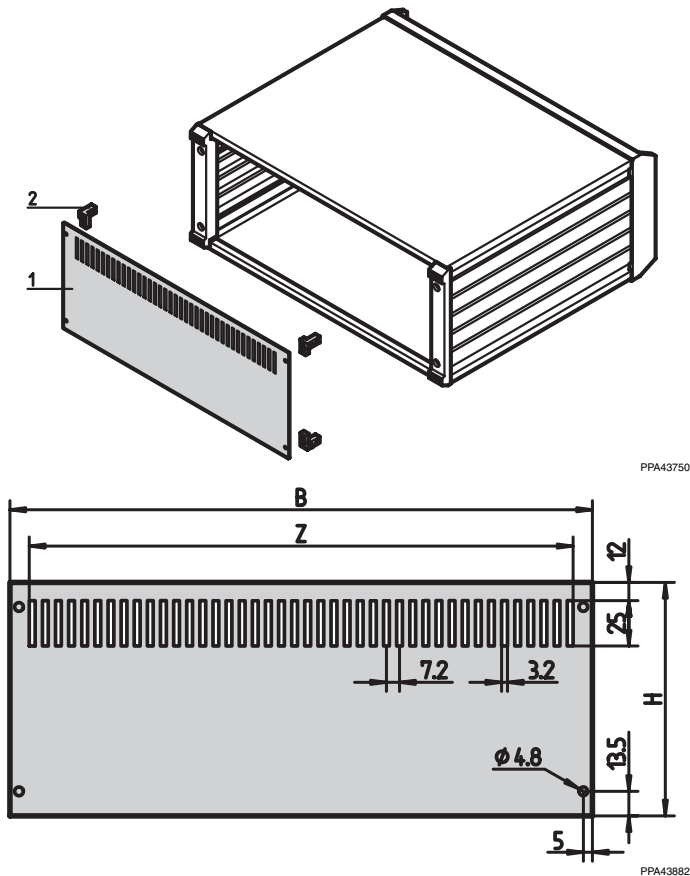
Please order separately:

- Item no. 3: see Internal mounting, threaded inserts (insert 2 pieces), page 5.61
- Item no. 4: see Front double horizontal rail (1 piece), page 5.56



Desk-top cases - *propac* Accessories

Unshielded full-width rear panel



Delivery comprises (kit)

Item	Qty	Description
1	1	Full-width rear panel, Al, anodised, plain cut edges, 28, 42, 63 HP = 2 mm thick, 84 HP = 2.5 mm thick
2	4	Support bracket, Zn, die-cast
3	1	Assembly kit

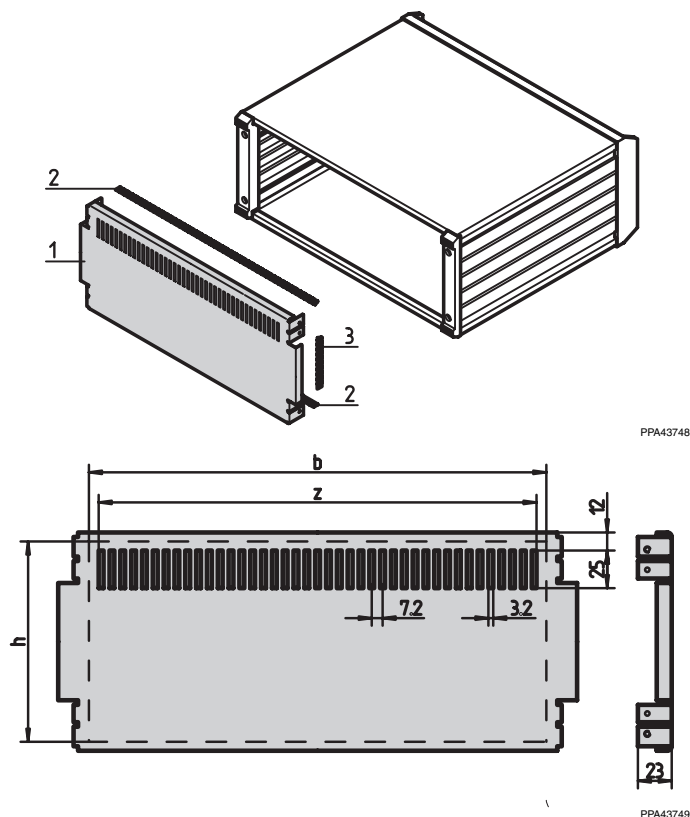
Order Information

U	HP	Width B mm	H mm	Z mm	With	Without
					vent slots Order no.	vent slots Order no.
2	42	213	84	190	20850-044	20850-359
2	63	320	84	298	20850-045	20850-360
2	84	426	84	406	20850-046	20850-361
3	28	142	128.5	118	20850-050	20850-364
3	42	213	128.5	190	20850-051	20850-365
3	63	320	128.5	298	20850-052	20850-366
3	84	426	128.5	406	20850-053	20850-367
4	42	213	172.9	190	20850-058	20850-372
4	63	320	172.9	298	20850-059	20850-373
4	84	426	172.9	406	20850-060	20850-374
6	84	426	261.8	406	20850-074	20850-381



For further information www.schroff.biz/oneclick
oneClick code = Order no.

Shielded full-width rear panel



Delivery comprises (kit)

Item	Qty	Description
1	1	EMC full-width rear panel, Al, 1.5 mm, clear chromated, with GND/earthing connection (fast-on connector 6.3 mm)
2	2	Horizontal contact strips, stainless steel
3	2	Vertical contact strip, stainless steel
4	1	Assembly kit

Order Information

U	HP	Width b mm	z mm	h for case mm		Order no.
				Without horizontal rail	With horizontal rail	
2	42	214.4	183	85.1	68.1	20850-002
2	63	321.1	298	85.1	68.1	20850-003
3	28	143.3	111	130	113	20850-008
3	42	214.4	183	130	113	20850-009
3	63	321.1	298	130	113	20850-010
3	84	427.8	399	130	113	20850-011
4	42	214.4	183	174	157	20850-016
4	63	321.1	298	174	157	20850-017
4	84	427.8	399	174	157	20850-018
6	84	427.8	399	263	246	20850-032



Desk-top cases - *propac* Accessories

Front panel, hinged, shielded



04295002

- For subracks and cases
- For mounting on horizontal rails
- Shielded, U front panel with EMC textile seal
- Usable width reduced by 2 HP (hinged side)
- Hinges can be mounted on the left or right

Delivery comprises (kit)

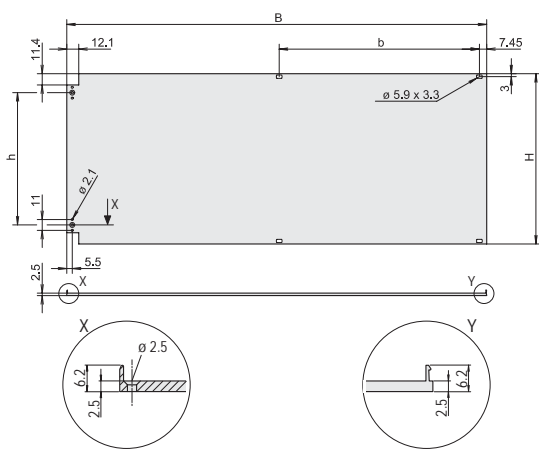
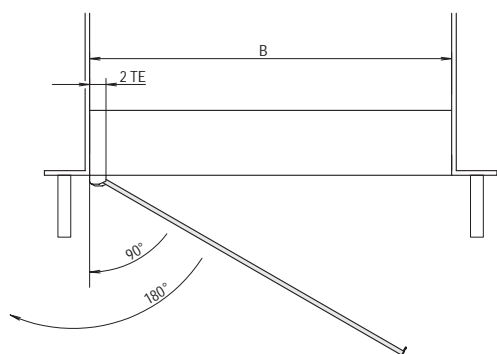
Item	Qty	Description
1	1	Front panel, hinged, Al, 2.5 mm Front: anodised Rear: chromated
2	2	Hinges, Zn, die-cast, chrome-plated
3	1	EMC seal Core: foam Sleeve: textile cladding with CuNi coating
4	1	Assembly kit

Order Information

Dimensions					Order no.
Height	B	b	H	h	
U	mm	mm	mm	mm	
3	426.4	203.2	128.4	89.9	20848-623
6	426.4	203.2	261.8	223.2	20848-629

Note

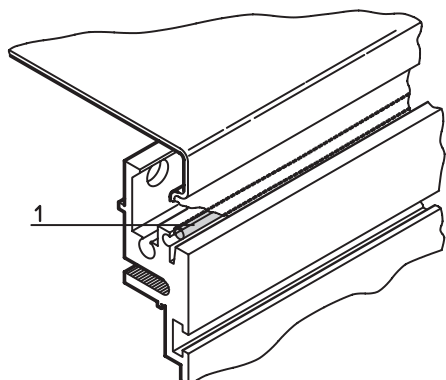
Front panel swivellable



04602081

For further information www.schroff.biz/oneclick
oneClick code = Order no.

EMC side panel seal



- To seal between side panel and cover of base plate

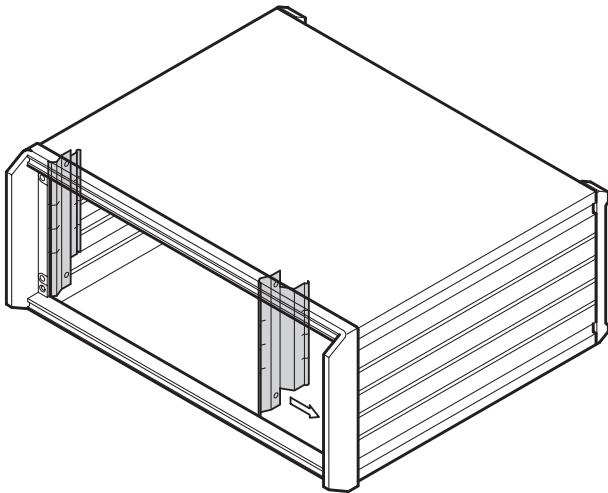
Order Information

Item	Description	Qty / PU	Order no.
1	Seal, silicone, conductive, \varnothing 2.4 mm, length 2.1 m	1	30850-354

For further information www.schroff.biz/oneclick
oneClick code = Order no.

Desk-top cases - *propac* Accessories

EMC contact springs



PPA43792

- To set up the HF shielding between EMC modules and the side panel
- Can be used for front and rear side

Delivery comprises (kit)

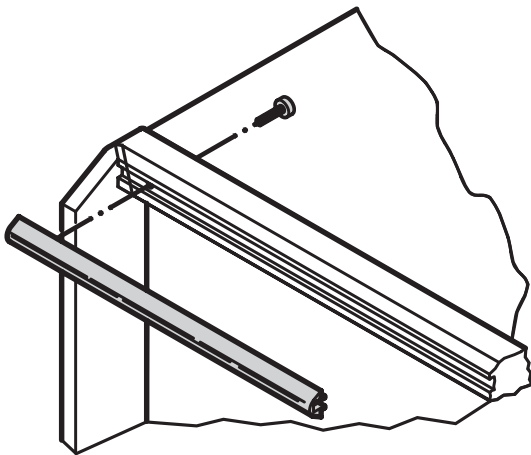
Item	Qty	Description
1	1	Set of contact spring, stainless steel
2	1	Assembly kit

Order Information

For case height	Order no.
U	
2	20850-220
3	20850-221
4	20850-222

6 U : 2 kits 20850-221 are required

Design elements



PPA43764

- Can be mounted retrospectively

Delivery comprises (kit)

Form	Qty	Description
1-3	1	Design element, Al profile, powder-coated
	1	Assembly kit

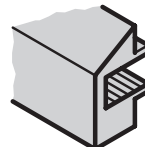
Order Information

Description	Width	Light grey	Brilliant
		RAL 7035	blue
	HP	Order no.	Order no.
Form 1	42	20850-184	20850-299
	63	20850-185	20850-300
	84	20850-186	20850-301



PPA43761

Form 2	42	20850-190	20850-315
	63	20850-191	20850-316
	84	20850-192	20850-317



PPA43762

Form 3	42	20850-196	20850-331
	63	20850-197	20850-332
	84	20850-198	20850-333



PPA43763

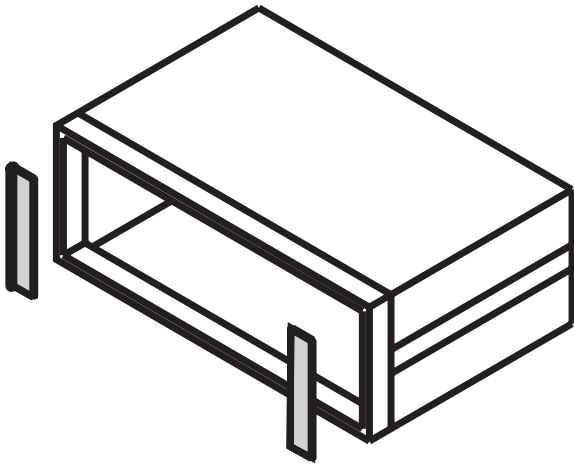
28 HP available on request



For further information www.schroff.biz/oneclick
oneClick code = Order no.

Desk-top cases - *propac* Accessories

Infill panel



- For lateral covering of the frame and for producing a continuous front with front panels and plug-in units

Delivery comprises (kit)

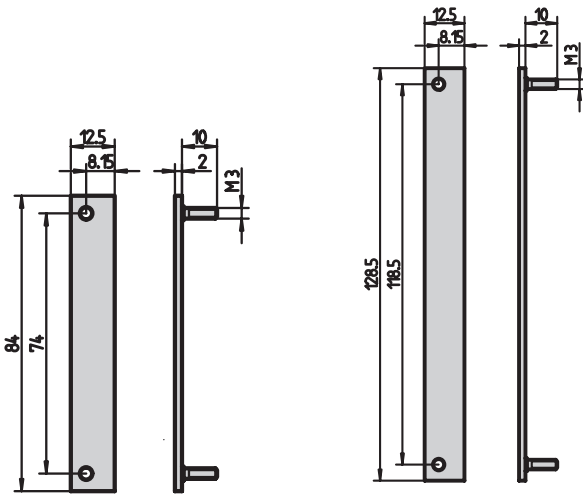
Item	Qty	Description
1	2	Side panel, Al profile 2.2 mm, anodised
2	6	Groove, Al

Order Information

For case height	Order no.
U	
2	20850-169
3	20850-170
4	20850-171
6	20850-173

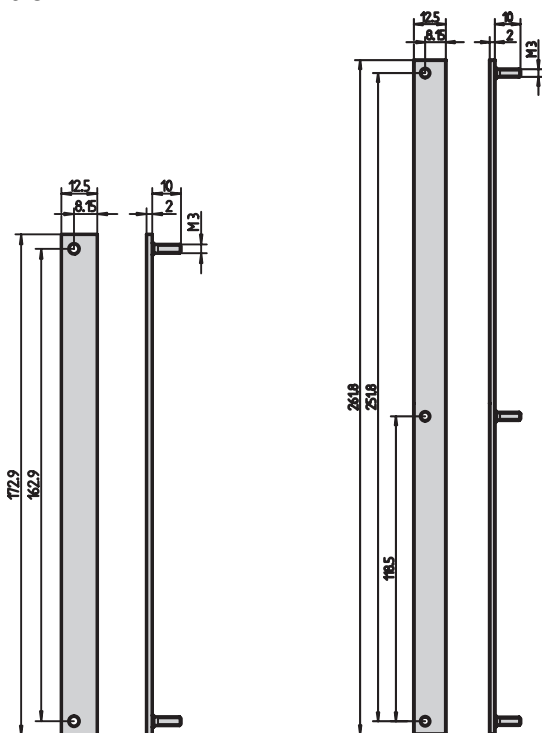
2 U 3 U

AZA45128



PPA43757PPA43758

4 U 6 U



PPA43759PPA45111



For further information www.schroff.biz/oneclick
oneClick code = Order no.

Desk-top cases - *propac* Accessories

Tip-up carrying handle



05894001

- Can be retrofitted without mechanical reworking of the case
- Tip-up angle in 30° increments (can be locked)
- Load-carrying capacity 30 kg

Delivery comprises (kit)

Item	Qty	Description
1	1	Carrying bar, Al profile, powder-coated, RAL 7035
2	1	Handle shell, ABS, UL 94 V-0, RAL 7030
3	2	Tip-up protector, ABS, UL 94 V-0, RAL 7030
4	2	Notch device, Al, die-cast, raw
5	2	Cover caps for notch device, ABS, UL 94 V-0, RAL 7030
6	1	Assembly kit

Order Information

For case width	Order no.
HP	
42	20850-252
63	20850-253
84	20850-254



For further information www.schroff.biz/oneclick
oneClick code = Order no.

Strap handle



05895003

- Can be retrofitted without mechanical reworking of the case
- Load-carrying capacity 20 kg

Delivery comprises (kit)

Item	Qty	Description
1	1	Handle section, steel spring, plastic-sheathed, flexible plastic, grey
2	2	Cover, PC, RAL 7030
3	1	Assembly kit

Order Information

Description	Order no.
Strap handle	20850-250

Note

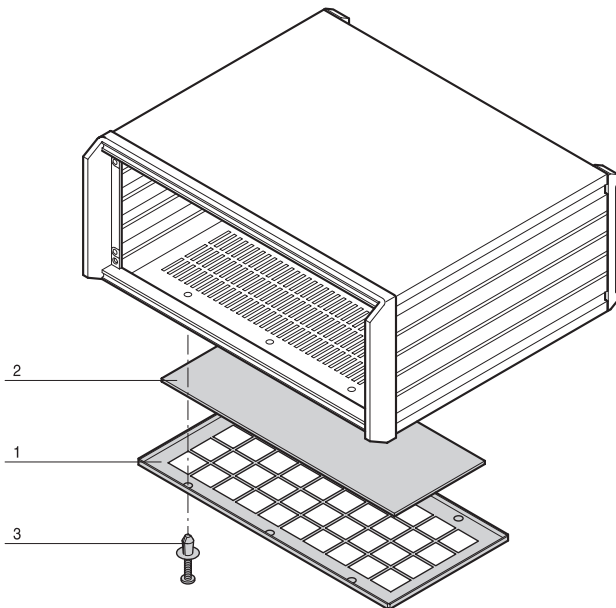
- Usable from case depth T = 316 mm



For further information www.schroff.biz/oneclick
oneClick code = Order no.

Desk-top cases - *propac* Accessories

Air filter



- Subsequent assembly without reworking and tools
- Filter replacement without the need to open the case, type of protection remains

Delivery comprises

Item	Qty	Description
1	1	Filter holder, Al, 1 mm, powder-coated, RAL 7030
2	1	Filter, synthetic fibre
3	6 / 8	Fixing clip, PA, white, 8 pieces with 84 HP

Order Information

Width	Order no.
HP	
42	20850-215
63	20850-216
84	20850-217

Note

- Replacement filters available on request
- To optimise the air supply, tip-up feet must be fitted to the case, see page 5.71

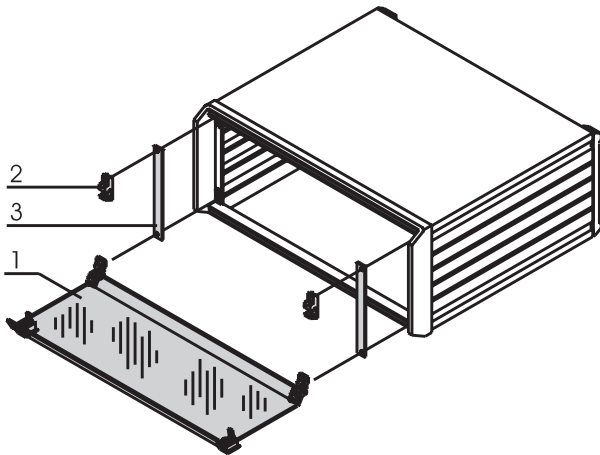
PPA43774



For further information www.schroff.biz/oneclick
oneClick code = Order no.

Desk-top cases - *propac* Accessories

Front hood 3 U



- Made of acrylic glass, can be folded and unhinged
- Hinge fitting top or bottom
- Lock (max. 2) can be retrofitted

Delivery comprises (kit)

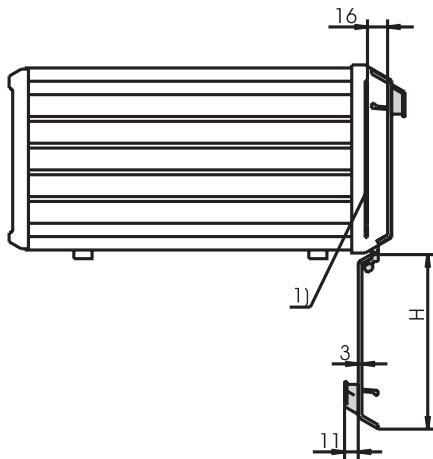
Item	Qty	Description
1	1	Hood, PMMA, blue-grey/tinted, acrylic glass 3 mm
1	2	Hinge + handle, PC, RAL 7030
2	2	Lock mechanism, PC, RAL 7030
3	2	Side panel, Al profile, 2.2 mm, anodised
4	1	Assembly kit

Order Information

For case width	Order no.
HP	
28	20850-230
42	20850-231
63	20850-232
84	20850-233

Note


- Cannot be combined with design elements
- Other sizes available on request
- Before fitting the hood, tip-up feet are to be attached to the case, see page 5.71



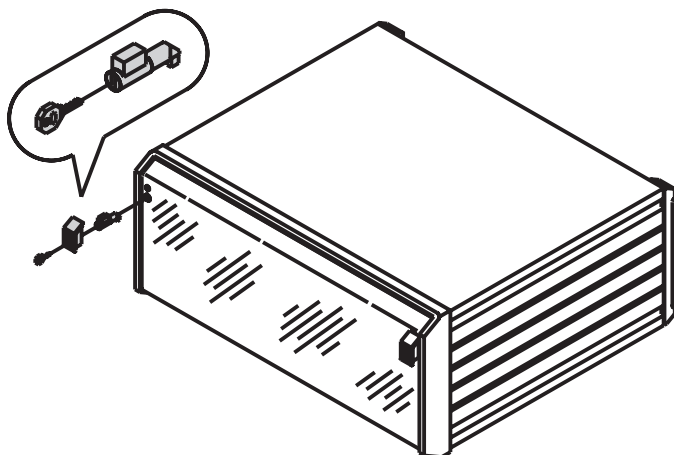
PPA45506

PPA45509

H = 3 U = 147.2 mm

 For further information www.schroff.biz/oneclick
oneClick code = Order no.

Lock for front hood




Delivery comprises (kit)

Item	Qty	Description
1	1	Locking cylinder
2	2	Key
3	1	Assembly kit

Order Information

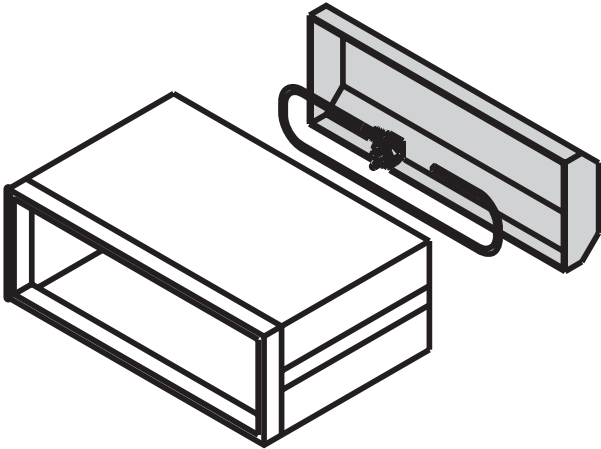
Description	Order no.
Lock for front hood	60850-171

 For further information www.schroff.biz/oneclick
oneClick code = Order no.

PPA45507

Desk-top cases - *propac* Accessories

Rear hood



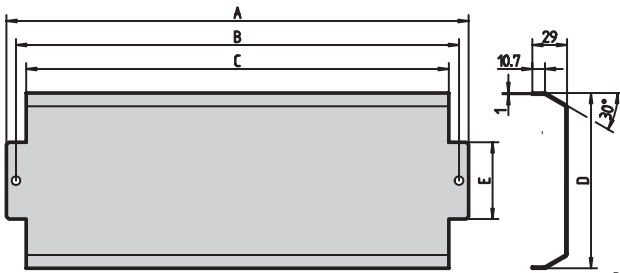
Delivery comprises (kit)

Item	Qty	Description
1	1	Hood, Al, RAL 7035 light grey, assembly with knurled screws
2	1	Assembly kit

Order Information

Height	Width	A	B	C	D	E	Order no.
U	HP	mm	mm	mm	mm	mm	
3	42	246	230	213	145.9	64	20850-395
3	63	352.7	336.7	319.7	145.9	64	20850-396
3	84	459.4	443.4	426.4	145.9	64	20850-397
4	63	352.7	336.7	319.7	190.4	108.5	20850-399
4	84	459.4	443.4	426.4	190.4	108.5	20850-400

AZA45125



PPA45105

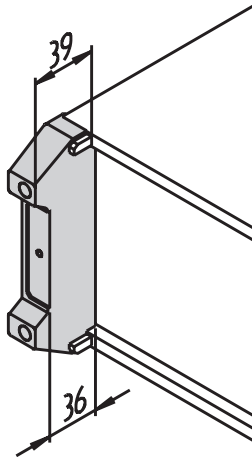
Note

- When fitting the rear hood, the feet for the hood must be attached. Please order separately.



For further information www.schroff.biz/oneclick
oneClick code = Order no.

Foot for hood



PPA45113

Delivery comprises (kit)

Item	Qty	Description
1	2	Feet, PU foam, 75° shore, black; the clear mounting space (width) is not limited

Order Information

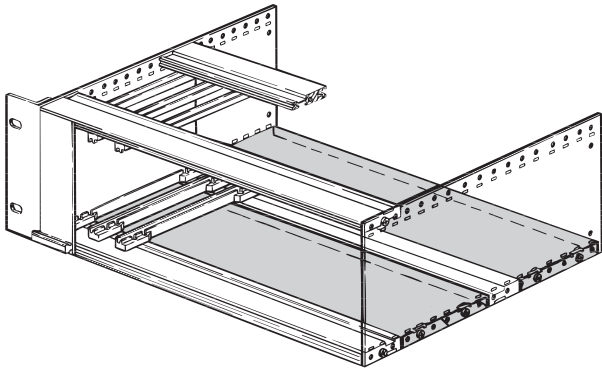
For case height	Order no.
U	
3	20850-393
4	20850-394



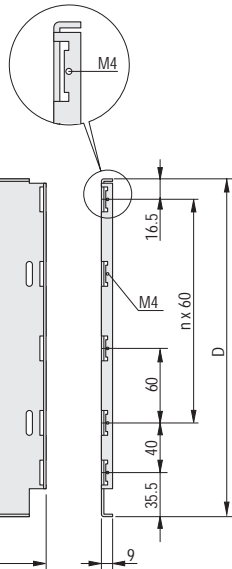
For further information www.schroff.biz/oneclick
oneClick code = Order no.

Desk-top cases - *propac* Accessories

Chassis plate



A4-2073



BZA42763

- For assembly of heavy, non-standardised elements
- Assembly on grid holes of side panels, board expansion (not reinforced version) and chassis plate possible
- Unrestricted use of board retainers
- Material: Al, 2 mm

Order Information

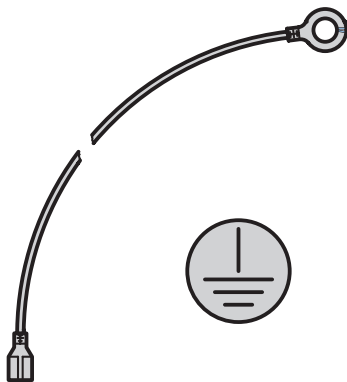
Width W	Width W	Board height	Depth D	n	Order no.
HP	mm	mm	mm	mm	
42	218	340	273	3	30821-614
63	324.7	160	93	–	30821-615
63	324.7	220	153	1	30821-616
63	324.7	340	273	3	30821-618
84	431.4	160	93	–	30821-619
84	431.4	220	153	1	30821-620
84	431.4	340	273	3	30821-622

Mounting parts Flathead screw M4 x 6, cross recess, spring washer A 4,3 DIN 137, PU 100 pieces **21100-952**



For further information www.schroff.biz/oneclick
oneClick code = Order no.

GND/earthing kit



AZA43284

- The earth connections comply with:
 - EN 50178
 - EN 60950
 - EN 61010-1
 - EN 61010-1A2

Order Information

Description	Qty / PU	Order no.
GND/earthing kit, copper wire 1.5 mm ² , PVC sleeve, green/yellow, connects side panels, floor plate, cover plate and rear panel	1	21101-399



For further information www.schroff.biz/oneclick
oneClick code = Order no.

Desk-top cases - *propac* Accessories

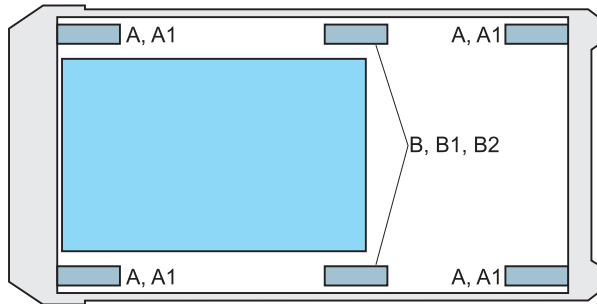
Mounting position horizontal

2 U



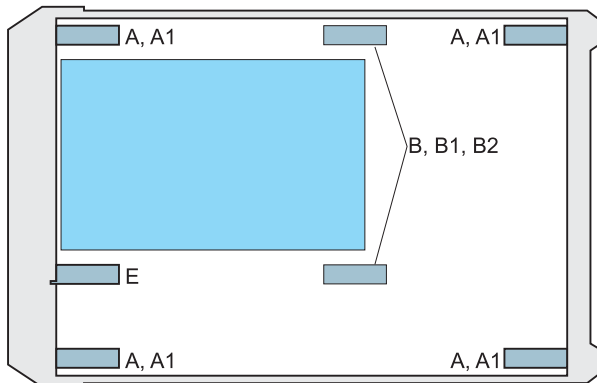
PPA46435

3 U



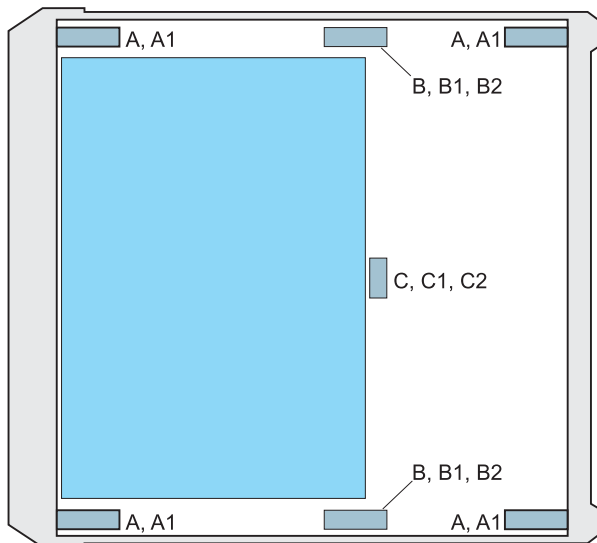
PPA46436

4 U (3+1)



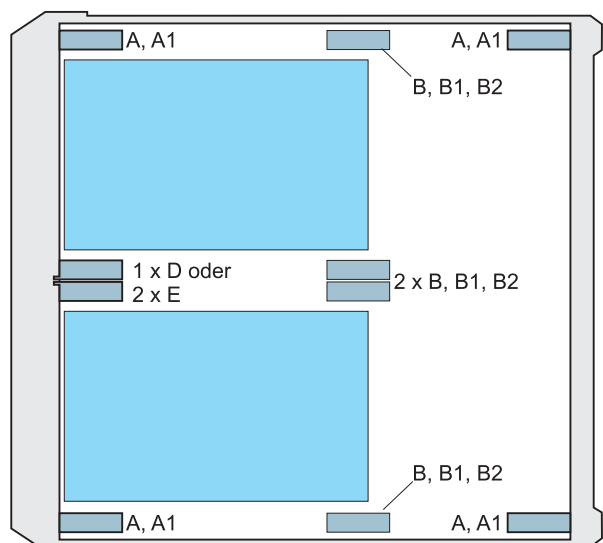
PPA46437

6 U



PPA46438

6 U (2 x 3)

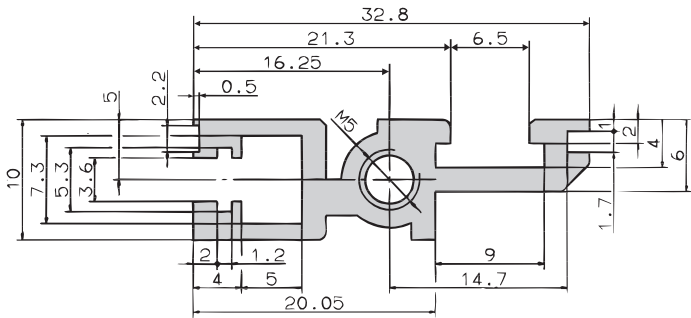


PPA46439



Desk-top cases - *propac* Accessories

A horizontal rail front / rear



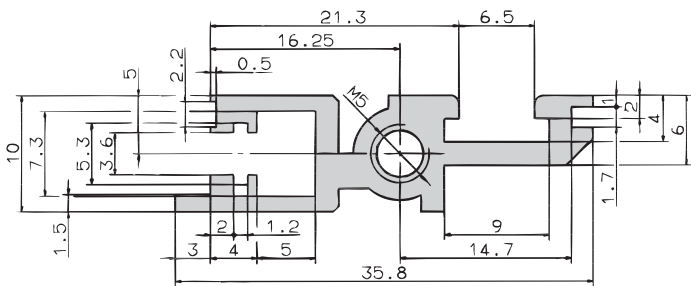
A3-762

- Version 84 HP, printed with HP details

Order Information

Usable length	Length	Anodised	Clear chromated
HP	mm	Order no.	Order no.
28	147.32	30818-059	30837-010
42	218.44	30818-073	30837-024
63	325.12	30818-094	30837-045
84	431.8	30818-115	30837-066

E front horizontal rail, with top lip

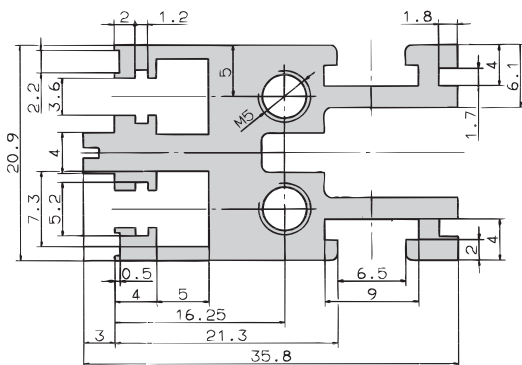


A3-761

Order Information

Usable length	Length	Clear chromated
HP	mm	Order no.
42	218.44	30837-292
63	325.12	30837-313
84	431.8	30837-334

D double horizontal rail at top lip and notches



A3-760

Order Information

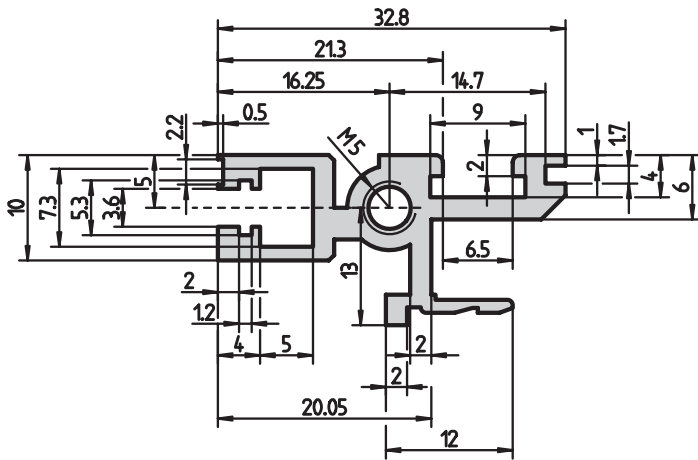
Usable length	Length	Anodised	Clear chromated
HP	mm	Order no.	Order no.
42	218.44	30825-637	30825-708
63	325.12	30825-658	30825-729
84	431.8	30825-679	30825-750



For further information www.schroff.biz/oneclick
oneClick code = Order no.

Desk-top cases - *propac* Accessories

A₁ EMC horizontal rail at the front/rear



PPA43732

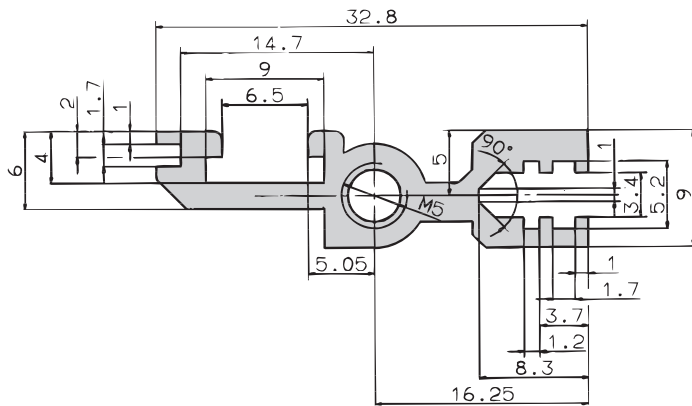
Delivery comprises (kit)

Item	Qty	Description
1	1	EMC horizontal rail, Al profile, clear chromated
2	1	EMC contact strip, stainless steel, contacting to cover plate

Order Information

Usable length HP	Length mm	Order no.
28	147.32	20850-264
42	218.44	20850-265
63	325.12	20850-266
84	431.8	20850-267

B rear horizontal rail



A3-774

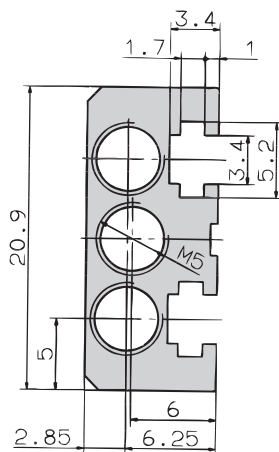
- For indirect mounting of backplanes
- An insulation strip is required

Order Information

Usable length HP	Length mm	Anodised Order no.	Al extrusion, clear chromated Order no.
28	147.3	30818-129	30837-420
42	218.5	30818-143	30837-434
63	325.1	30818-164	30837-455
84	431.8	30818-185	30837-476

- Please order insulation strip separately, see page 5.64

C rail, rear



A4-2674

- For indirect mounting of backplanes
- An insulation strip is required

Order Information

Usable length HP	Length mm	Al extrusion, clear chromated Order no.
42	218.44	30837-158
63	325.12	30837-179
84	431.8	30837-200

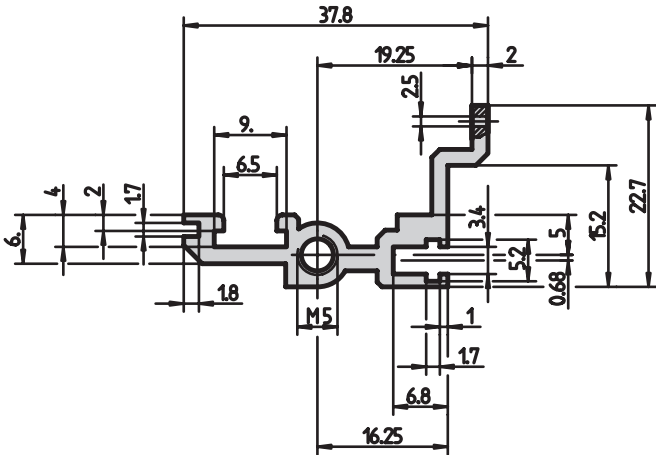
- Please order insulation strip separately, see page 5.64



For further information www.schroff.biz/oneclick
oneClick code = Order no.

Desk-top cases - *propac* Accessories

B₂ rear horizontal rail, with Z



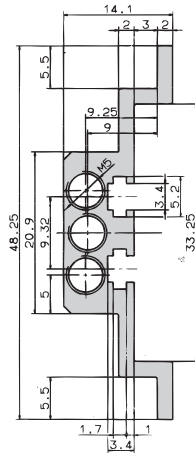
BZA42777

- For mounting female connectors complying with EN 60603-2
- Version 84 HP, printed with HP details

Order Information

Usable length	Length	Anodised	Clear chromated
HP	mm	Order no.	Order no.
28	147.32	30819-469	30837-077
42	218.44	30819-483	30837-091
63	325.12	30819-504	30837-112
84	431.8	30819-525	30837-133

C₂ rear central rail



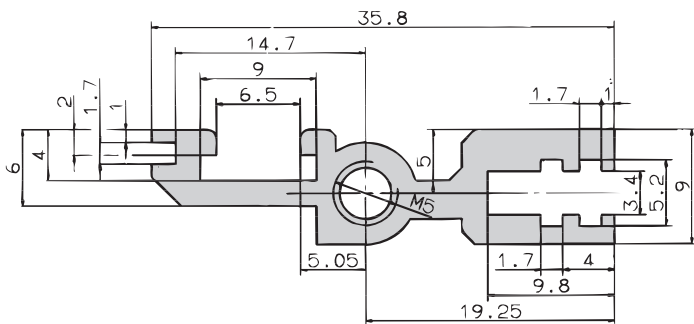
A3-769

- For directly mounting female connectors complying with EN 60603-2

Order Information

Usable length	Length	Al extrusion, clear chromated
HP	mm	Order no.
42	218.44	30837-225
63	325.12	30837-246
84	431.8	30837-267

B₁ rear horizontal rail, with recessed mounting plane (+3 mm)



A3-764

- For direct mounting of backplanes
- An insulation strip is not required

Order Information

Usable length	Length	anodised	clear chromated
HP	mm	Order no.	Order no.
28	208.28	30818-766	30838-682
42	218.44	30818-780	30837-927
63	309.88	30818-801	30837-928
84	431.8	30818-822	30837-929

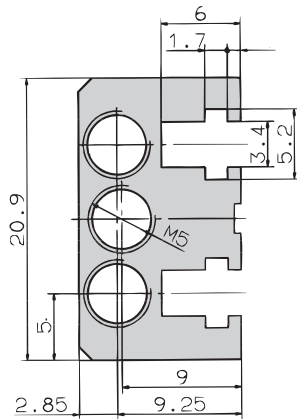


For further information www.schroff.biz/oneclick
oneClick code = Order no.



Desk-top cases - *propac* Accessories

C₁ rear horizontal rail, with recessed mounting plane (+3 mm)



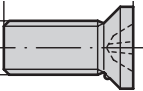
A4-2676

- For direct mounting of backplanes
- An insulation strip is not required

Order Information

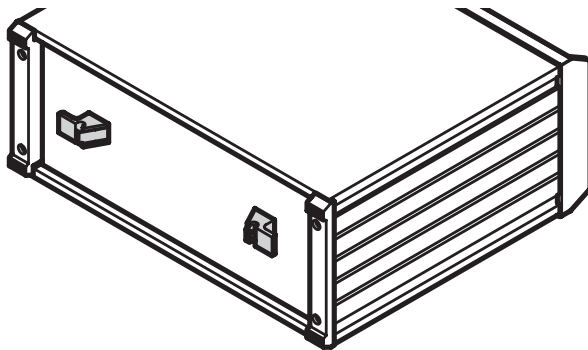
Usable length	Length	Al extrusion, clear chromated
HP	mm	Order no.
84	431.8	30837-915

Assembly for horizontal and central rails

Description	Application	Material	Dimension	Qty / PU	Order no.
 Cross-head screw	For assembly of horizontal / central rails	St, zinc-plated	M5 x 12	10	21101-416
				100	21100-716

06702052

Cable holder



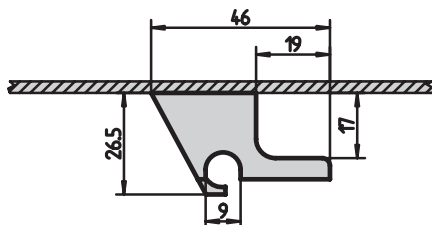
PPA45107

Delivery comprises (kit)

Item	Qty	Description
1	2	Cable bracket, ABS, UL 94 V-0, dyed, RAL 7030, latches for cables between 8 mm and 12 mm
2	1	Drilling template; for each bracket, two holes must be drilled in the rear panel
3	1	Assembly kit

Order Information

Description	Order no.
Cable holder	20850-401



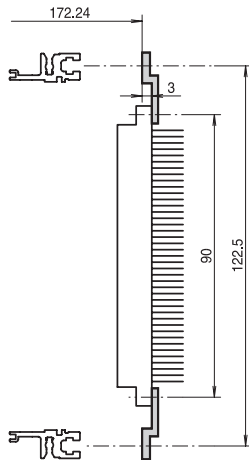
PPA45110



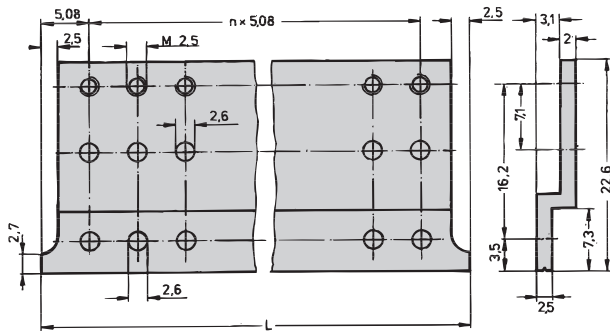
For further information www.schroff.biz/oneclick
oneClick code = Order no.

Desk-top cases - *propac* Accessories

Z-rail for connectors



BZA45849



A3-420

- in accordance with EN 60603-2 (DIN 41612)
- In conjunction with horizontal rail B and C

Delivery comprises

Item	Qty	Description
1	1	Z-rail, Al profile, anodised

Order Information

Usable length HP	Length mm	Order no.
28	142.24	30822-033
40	203.2	30822-045
42	213.36	30822-047
60	304.8	30822-065
84	426.7	30822-089

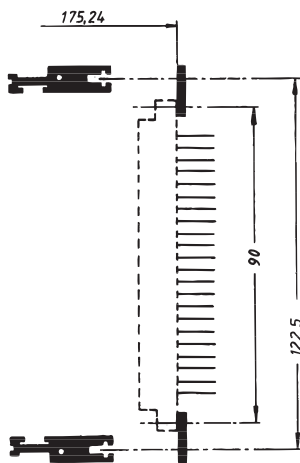
Note

- A threaded insert is required to secure the Z-rail on the horizontal rail

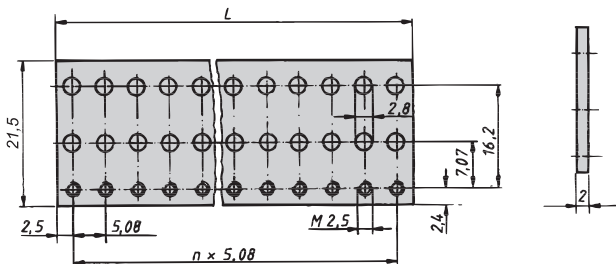


For further information www.schroff.biz/oneclick
oneClick code = Order no.

Perforated rail for connector according to EN 60603-2 (DIN 41612)



A3-143-2



A3-455-1

- in accordance with EN 60603-2

Delivery comprises

Item	Qty	Description
1	1	Perforated rail, Al, clear chromated

Order Information

Usable length HP	Length mm	Order no.
28	142.24	30497-006
40	203.2	30822-202
42	213.36	30822-203
60	304.8	30822-204
84	426.7	30822-206

Note

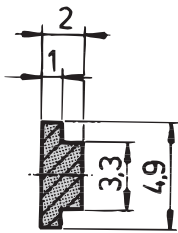
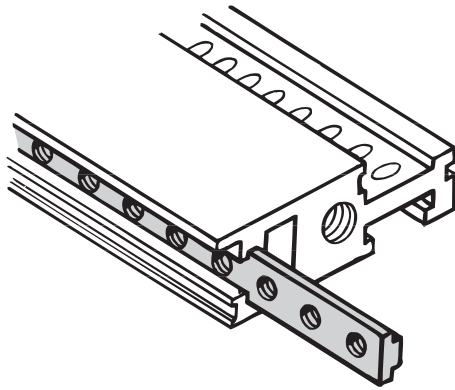
- A threaded insert is required to secure the perforated rail on the horizontal rail
- Standard pitch only in connection with horizontal rail, with recessed mounting plane (+ 3 mm) at the rear, see page 5.58



For further information www.schroff.biz/oneclick
oneClick code = Order no.

Desk-top cases - *propac* Accessories

Threaded insert



- Can be used for all horizontal rails

Delivery comprises

Item	Qty	Description
1	1	Threaded insert M 2.5, St profile, zinc-plated

Order Information

Usable length HP	Length mm	Order no.
28	146.8	30819-650
42	217.9	30819-636
63	324.6	30819-615
84	431.3	30819-594
Grub screw M2,5 x 8, PU 100 pieces, finish nickel-plated		21100-276

Note

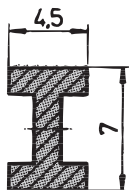
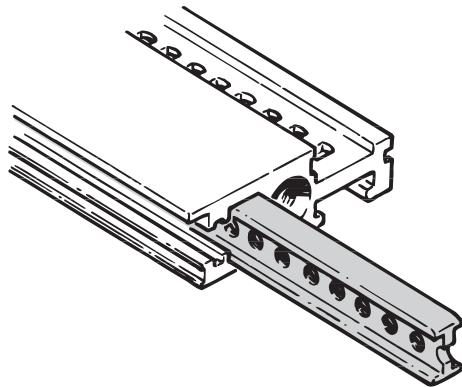
- Use 11.0 mm collar screws to mount front panels



For further information www.schroff.biz/oneclick
oneClick code = Order no.

KA-959

Threaded insert, double T



Thread spacing: 1 HP (5.08 mm)

- Can only be used for front horizontal rails
- Extended mounting possibility for other assemblies

Delivery comprises

Item	Qty	Description
1	1	Threaded insert M 2.5, St profile, zinc-plated

Order Information

Usable length HP	Length mm	Order no.
28	146.8	30829-035
42	217.9	30829-049
63	324.6	30829-070
84	431.3	30829-091
Grub screw M2,5 x 8, PU 100 pieces, finish nickel-plated		21100-276

Note

- Use 12.3 mm collar screws to mount partial width front panels

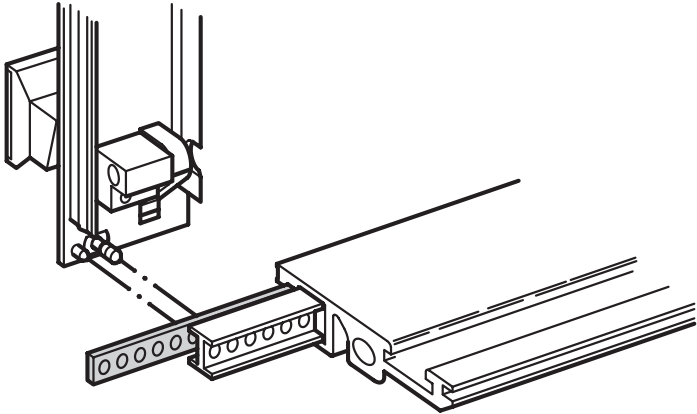
A4-835



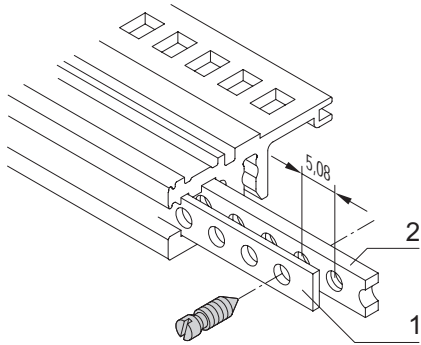
For further information www.schroff.biz/oneclick
oneClick code = Order no.

Desk-top cases - *propac* Accessories

Perforated strips



bla43397



BZA45853

- For centring the shielded plug-in units

Delivery comprises

Item	Qty	Description
1	1	Perforated strips, Al, 1 mm (for threaded strip, item 2)

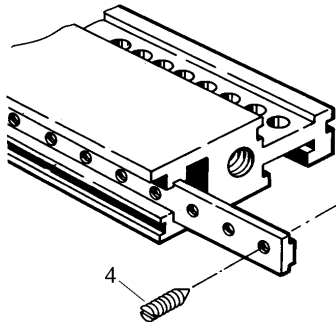
Order Information

Usable width HP	Length mm	Order no.
20	106.48	30845-189
28	147.12	30845-197
40	208.08	30845-209
42	218.24	30845-211
63	324.92	30845-232
84	431.6	30845-253
Grub screw M2,5 x 9, PU 100 pieces		21101-359



For further information www.schroff.biz/oneclick
oneClick code = Order no.

Grub screw



A4-1187

- To secure the threaded insert, required for conductive connections in the case of anodised horizontal rails

Order Information

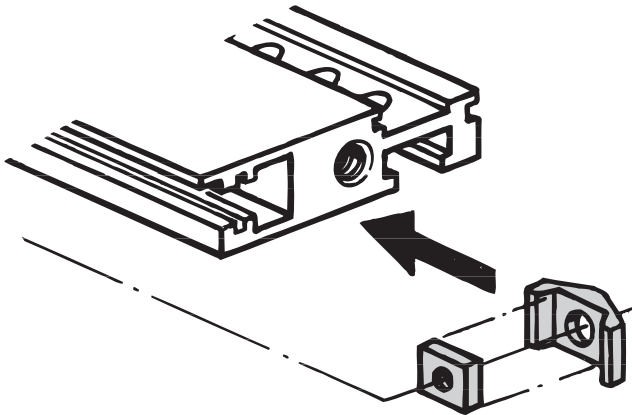
Item	Description	Qty / PU	Order no.
4	Grub screw, DIN 553, M2,5 x 8, nickel-plated	100	21100-276



For further information www.schroff.biz/oneclick
oneClick code = Order no.

Desk-top cases - *propac* Accessories

Slide nut for front horizontal rail



A4-559-1

- Alternative for threaded insert

Delivery comprises

Item	Qty	Description
1	1	Slides, PA
2	1	Square nut, St, nickel-plated

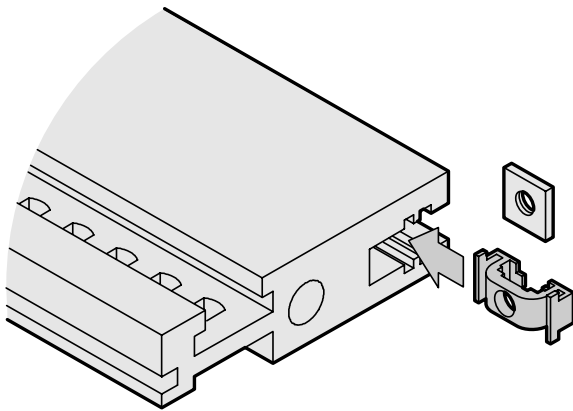
Order Information

Application	Description	Thread	Order no.
Front	WAF 7	M2,5	21100-112
Front	WAF 7	M3	21100-289



For further information www.schroff.biz/oneclick
oneClick code = Order no.

Slide nut for rear horizontal rail



05802056

- Alternative for threaded insert

- Qty 100 pieces

Delivery comprises

Item	Qty	Description
1	1	Slides, PA
2	1	Square nut, St, nickel-plated

Order Information

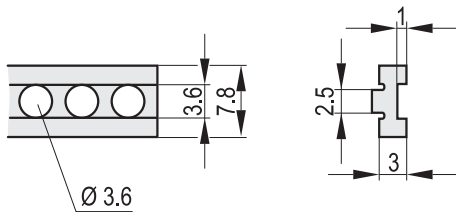
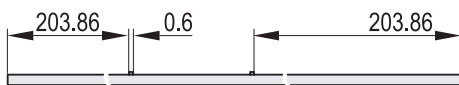
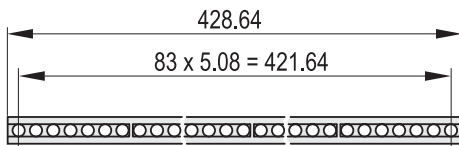
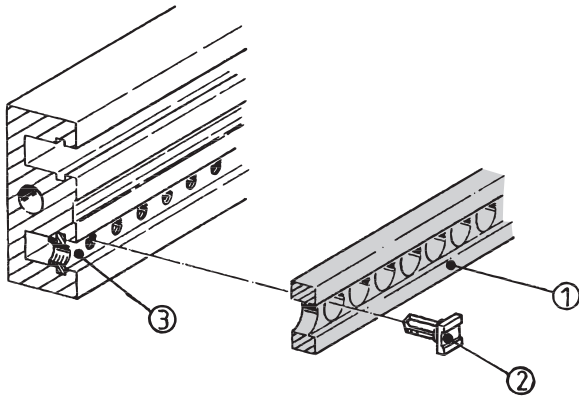
Application	Description	Thread	Order no.
Rear	WAF 5	M2,5	21100-425



For further information www.schroff.biz/oneclick
oneClick code = Order no.

Desk-top cases - *propac* Accessories

Insulation strip



A4-2690

BZ6749

- For insulated mounting of backplanes or mounting of metal plates as holders for connectors
- Setting up standardised mounting depth for plug-in units in the subrack

Delivery comprises

Item	Qty	Description
1	1	Insulation strip, PBT UL 94 V-O, grey

Order Information

Usable length	Length	Order no.
HP	mm	
28	144.2	30835-110
42	210.4	60817-118
63	316.88	30894-444
84	428.64	60817-061

Clips for securing the insulation strip Item 2, PPO UL 94 V-0, PU 100 pieces	21100-824
--	------------------

Delivery may be exclusively in standard pack quantity: Please order a minimum of 50 pieces of insulation strips or a multiple.



For further information www.schroff.biz/oneclick
oneClick code = Order no.

Assembly part kit for Z- and perforated rails

Order Information

Description	Qty / PU	Order no.
Pan head pozidrive c/sk screw M2.5 x 5, nickel-plated steel for central rails with 2 or 3 threaded holes and Z- or perforated rail	100	21101-314

Note

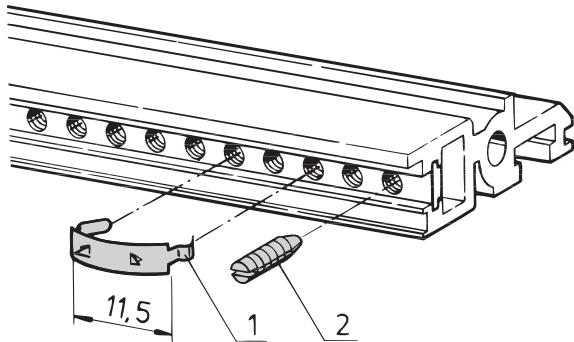
- Mounting with threaded inserts or slide nuts
- Threaded inserts, see page 5.61
- Slide nuts, see page 5.63



For further information www.schroff.biz/oneclick
oneClick code = Order no.

Desk-top cases - *propac* Accessories

Contact clip



- For horizontal rails with T-threaded insert
- For conductive connection of front panels with threaded inserts M2,5
- For use with front panel widths of 6 HP and larger
- Contact resistance below 10 mΩ
- Can be retrofitted at any time

Order Information

A4-2388

Item	Description	Qty / PU	Order no.
1	Contact clip, spring steel, CK 75, tin-plated	50	21101-235

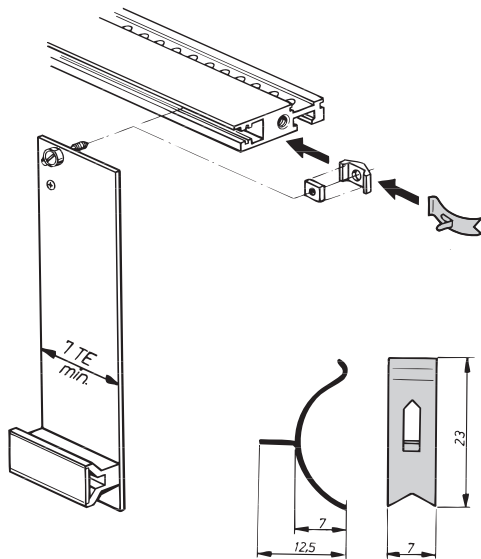
Note

- Grub screws are required in addition for the conductive connection between front panel and horizontal rail



For further information www.schroff.biz/oneclick
oneClick code = Order no.

GND/earthing spring (ESD)



- For front horizontal rail
- For conductive connection of rear side chromated front panels with chromated horizontal rails
- The connection can be used alternatively for metal sleeves
- For use with front panel widths of 7 HP and larger

Order Information

Description	Qty / PU	Order no.
GND/earthing spring, stainless steel	100	21100-658

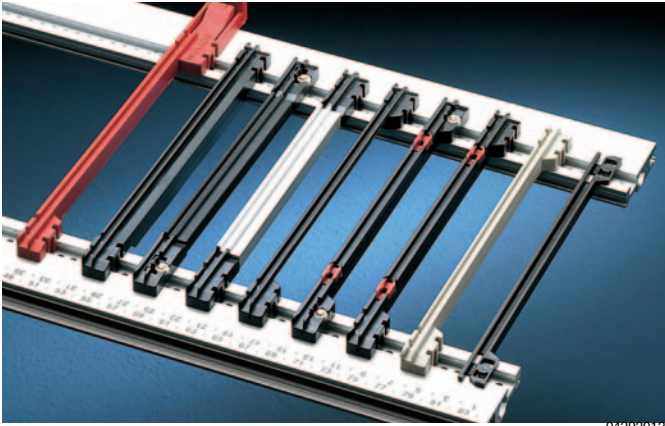


For further information www.schroff.biz/oneclick
oneClick code = Order no.

A4-559

Desk-top cases - *propac* Accessories

Guide rails



04292012

- Single guide rails
- Guide rails with integrated connector mounting complying with EN 60603 (DIN 41612)
- Guide rails for board height 4.4" (111.7 mm)
- Guide block with fixed board pitch (3 HP and 4 HP)
- Universal guide rails for individual board lengths

Single guide rails

Order Information

Board height mm mm	Groove width mm mm	A42744		A42744b		a42744c	BZA44247	A4-2744d
		Light version, snap in Order no. SPQ 1) 50 pieces	Standard version, snap in Order no. SPQ 1) 50 pieces	Version with board securing, snap-in Order no. SPQ 1) 50 pieces	Version with board securing, bolt-on Order no. SPQ 1) 50 pieces	Version for high loading capability, snap-in Order no. SPQ 1) 50 pieces	Version with ESD clip Order no. Qty / PU 1 piece	Universal version with AI middle section, bolt-on Order no. Qty / PU 1 piece
100	2	-	60817-015	-	-	-	-	-
160	2	60817-064	60817-103	60817-001	60817-053	60817-102	20817-368	-
160	2.5	-	60817-076	-	-	-	-	-
180	2	-	-	60817-026	-	-	-	-
220	2	-	60817-149	60817-016	60817-083	60817-085	20817-369	-
220	2.5	-	-	-	-	60817-098	-	-
280	2	-	-	-	-	60817-080	-	-
340	2	-	-	-	-	-	-	20825-120
400	2	-	-	-	-	-	-	20825-121

1) Delivery may be in Standard Pack Quantity (SPQ): Please order the 'SPQ' quantity or a multiple. Pricing is per individual item.

Note

- The required accessories and detailed description of the guide rails are given on the following pages.



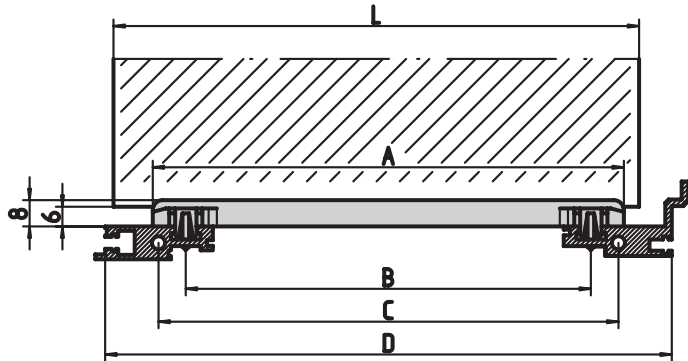
For further information www.schroff.biz/oneclick

oneClick code = Order no.



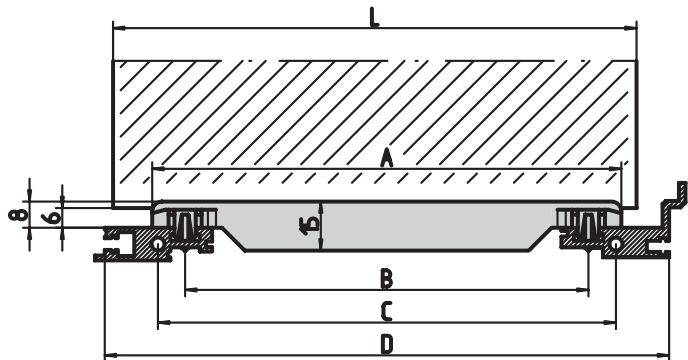
Desk-top cases - *propac* Accessories

Guide rail dimensions



bza42737

Guide rail (reinforced version)




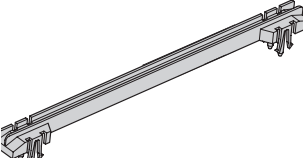
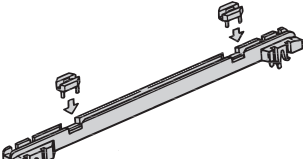
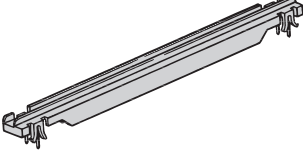
bza42738

Board height L	Dimensions in mm			
	A	B	C	D
100	83.4	63.4	80	112.24
160	143.4	123.4	140	172.24
180	163.4	143.4	160	192.24
220	203.4	183.4	200	232.24
280	263.4	243.4	260	292.24
340	324.4	303.4	320	352.24
400	384.4	363.4	380	412.24

Case - *propac* Accessories

Single guide rails

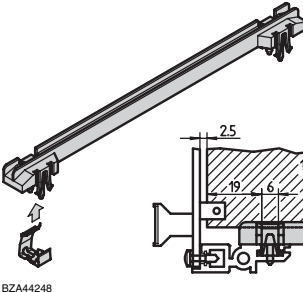
Order Information

	Description	Board height mm	Groove width mm	Colour	Material	Qty	Order no.
	Light version, snap-in	160	2	black	PPE UL 94 V-0	1	60817-064
	Standard version, snap-in	100	2	black	PBT UL 94 V-0	1	60817-015
		160	2	grey	PBT UL 94 V-0	1	60817-103
		160	2.5	black	PPE UL 94 V-0	1	60817-076
		220	2	grey	PBT UL 94 V-0	1	60817-149
	Version with board securing, snap-in	160	2	black	PPE UL 94 V-0	1	60817-001
		180	2	black	PPE UL 94 V-0	1	60817-026
		220	2	black	PPE UL 94 V-0	1	60817-016
	Version for high loading capability, snap-in	160	2	black	PBT UL 94 V-0	1	60817-102
		220	2	black	PPE UL 94 V-0	1	60817-085
		220	2.5	black	PPE UL 94 V-0	1	60817-098
		280	2	black	PPE UL 94 V-0	1	60817-080

Delivery may be exclusively in standard pack quantity:
Please order a minimum of 50 pieces or a multiple

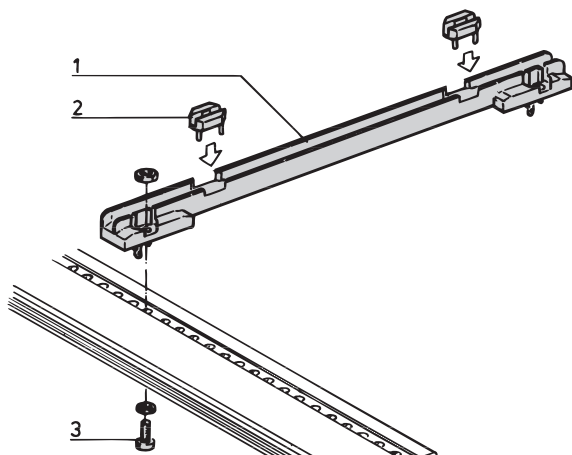
Single guide rails (1 piece)

Order Information

	Description	Board height mm	Groove width mm	Colour	Material	Qty	Order no.
	Version with ESD clip for conducting static charges while board is being pushed in low-ohmic and low-inductive GND/earth connection during operation. Horizontal rails with conductive surfaces must be used. Contact at edge of board, see graphic	160	2	grey	PBT UL 94 V-0	1	20817-368
		220	2	grey	PBT UL 94 V-0	1	20817-369

Case - *propac* Accessories

Guide rail to screw on



A4_2741

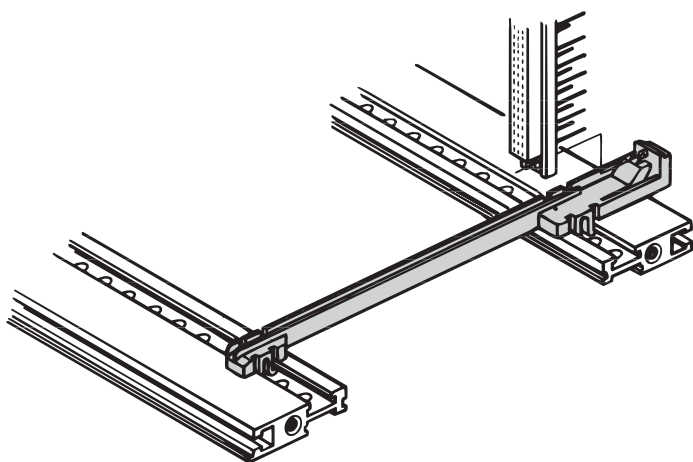
- Anti-vibration clips for increased fixing of plug-in units
- Groove width 2 mm

Order Information

Item	Board height mm	Material	Colour	Qty	Order no.
1	160	PPE UL 94 V-0	black	1	60817-053
1	220	PPE UL 94 V-0	black	1	60817-083
Anti-vibration clip PPE UL 94 V-O, red, PU 10 pieces (Item 2)					21100-553
Anti-vibration clip PPE UL 94 V-O, red, PU 100 pieces (Item 2)					21100-554
Assembly parts For 50 guide rails (screw M2,5 with passivation protection, washer and nut) (item 3)					21101-990

Delivery may be exclusively in standard pack quantity:
Please order a minimum of 50 pieces or a multiple

Guide rail with integrated connector mounting according to EN 60603



A4_588

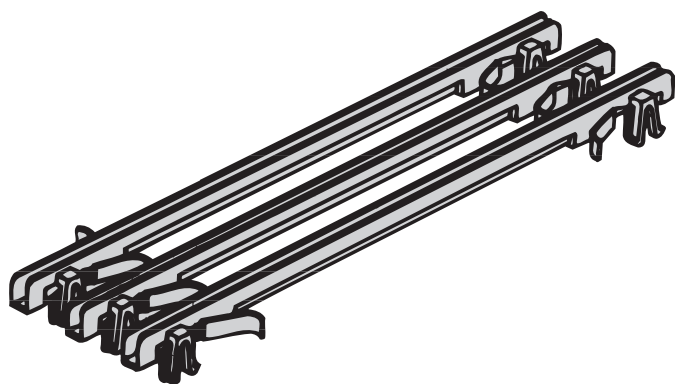
- As replacement for Z-rails or horizontal rails with Z
- For single euroboard format 100 × 160 mm or 100 × 220 mm; not suitable for double euroboard format
- Simple female connector assembly with latches
- Delivery in pairs as the top/bottom versions are handed
- Groove width 2 mm

Order Information

Board height mm	Material	Colour	Qty	Order no.
160	PBT UL 94 V-0	red	1	60817-078
220	PBT UL 94 V-0	red	1	60817-079

Delivery may be exclusively in standard pack quantity:
Please order a minimum of 10 pairs or a multiple

Guide block for 84 HP



A4_175

- Groove width 2 mm

Order Information

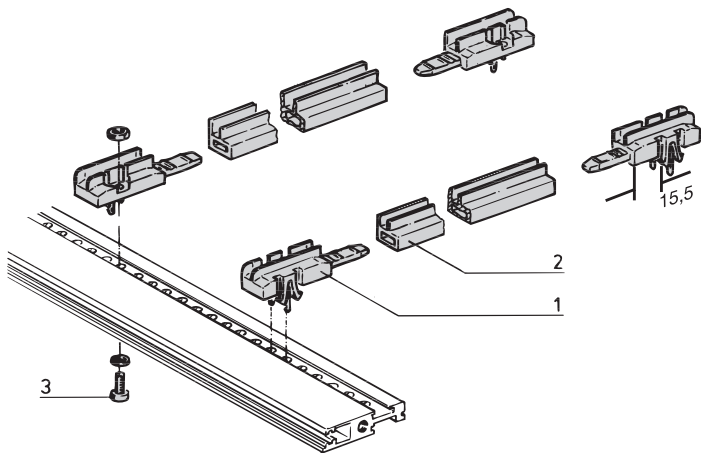
Slot spacing HP	Number of slots	Board height mm	Material	Colour	Qty / PU	Order no.
3	28	160	PPE UL 94 V-0	grey	1	60817-057
4	21	160	PPE UL 94 V-0	grey	1	60817-043
4	21	220	PPE UL 94 V-0	grey	1	60817-105

Differing number of slot positions available on request



Case - *propac* Accessories

Universal guide rail



- 1 pair end pieces and 1 rail piece
- Pair of end feet for snapping in or bolting onto the horizontal rail

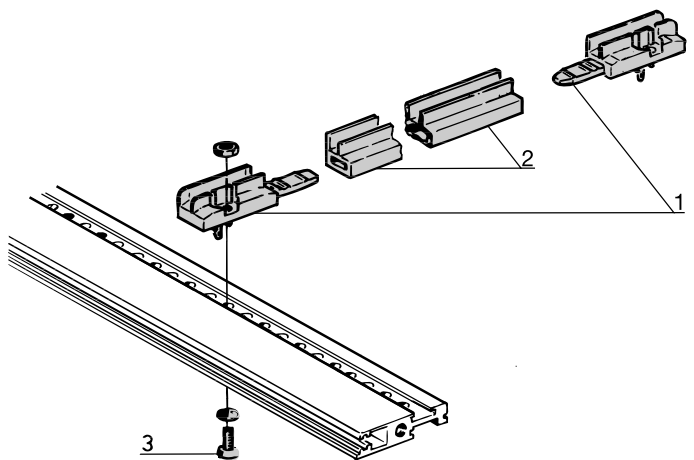
Order Information

Item	Description	Groove width mm	Qty	Order no.
1	End piece for snapping in, PPE UL 94 V-0, black	2	1	60817-139
1	End piece for snapping in, PPE UL 94 V-0, black	2.5	1	60817-140
1	End piece to screw on, PPE UL 94 V-0, black	2	1	60817-091
2	Profile, length 1000 mm, PPE UL 94 V-0, plastic	2	1	60817-193
2	Profile, prepared for board depth 160 mm, length 92.4 mm, Al profile, anodised	2	1	30825-608
2	Profile, prepared for board depth 220 mm, length 152.4 mm, Al profile, anodised	2	1	30825-607
2	Profile, length 1 m, anodised Al profile	2	1	30817-446

Assembly parts for 50 guide rails (screw M2,5 with passivation protection, washer and nut) (item 3) **21101-990**

Delivery may be exclusively in standard pack quantity:
Please order a minimum of 50 **end pieces** or a multiple.

Universal guide rail, screw-on



- Completely assembled for board height 340 mm and 400 mm to screw on

Delivery comprises (assembled)

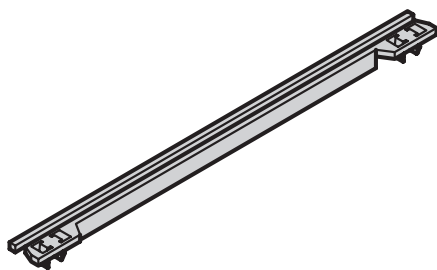
Item	Qty	Description
1	2	End piece, PPE, UL 94 V-0, black, groove width 2 mm
2	1	Al profile, anodised, groove width 2 mm

Order Information

Length mm	Order no.
340	20825-120
400	20825-121
Assembly parts For 50 guide rails (screw M2,5 with passivation protection, washer and nut) (item 3) 21101-990	

Case - *propac* Accessories

Guide rail for board height 4,4 (111,7 mm) at 3 U



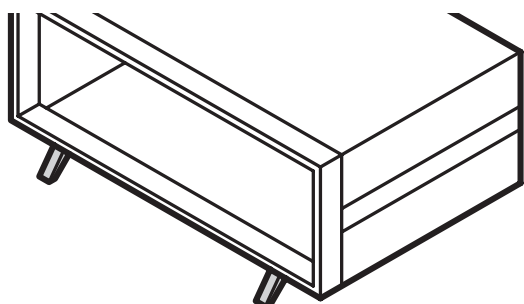
BZA45055

Order Information

Description	Qty	Order no.
Guide rail, for snapping in, board height 160 mm, groove width 2 mm, PPE UL 94 V-0, black	1	60817-038

Delivery may be exclusively in standard pack quantity:
Please order a minimum of 50 pieces or a multiple

Tip-up feet made of plastic



AZA45132

- Load-carrying capacity 25 kg per foot
- Can be used instead of standard feet
- Mounting holes available on the bottom of casing

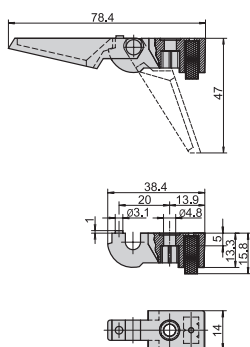
Order Information

Description	Qty	grey	black
		Order no.	Order no.
Foot with tip-up, PA, UL 94 HB	1	10603-023	10603-025
Foot without tip-up, PA, UL 94 HB	1	10603-024	10603-026
Pozidrive flathead screw M4 × 10, St, zinc-plated, PU 100 pieces			21100-513
Hexagon nut M4, St, zinc-plated, PU 100 pieces			21100-211
Washer A4, St, zinc-plated, PU 100 pieces			21100-207

Delivery may be exclusively in standard pack quantity:
Please order a minimum of 10 pieces of feet or a multiple

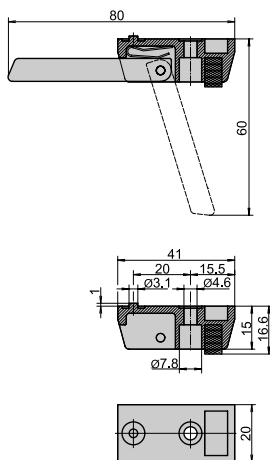
Note

- Please order assembly kit separately



AZA43835

Tip-up foot made of diecast aluminium



AZA43836

- Can be used instead of the standard round feet
- Mounting holes available in bottom of case
- Secure case stance with slip-proof rubber inserts
- Load-carrying capacity 50 kg per foot, max. case weight 40 kg

Order Information

Description	Qty	Order no.
Foot with tip-up, Al-diecast, silver	1	10603-002
Foot without tip-up, Al-diecast, silver	1	10603-001
Cylinder head screw with slot M4 × 12, St, zinc-plated, PU 100 pieces		21101-211
Hexagon nut M4, St, zinc-plated, PU 100 pieces		21100-211
Washer A4, St, zinc-plated, PU 100 pieces		21100-207

Delivery may be exclusively in standard pack quantity:
Please order a minimum of 10 pieces of feet or a multiple

